

GENERAL INDEX

						NAME	PASSENGER CAR INSTRUCTION MANUAL			
						REF.	DRAWN	CHECKED	SECT.	SHEET
						DATE	PART No.	F	0	1.00
DATE	SYM.	REVISION RECORD	AUTH.	DR.	CL.	7-25-55	3726600			

INSTRUMENT PANEL
BRACE SHEET 6.00
ACCESSORY HOLE COVER SHEET 7.00
STEERING GEAR JACKET COVER SHEET 8.00
NAME PLATE SHEET 9.00
ASH TRAY SHEET 10.00
TRIM PLATE SHEET 11.00

REAR SHOCK ABSORBER HOLE COVER
SHEET 5.00

BODY SHIM
SHEET 29.00

NO. 6 BODY MOUNTING
SHEET 28.00

REAR EMBLEM
SHEET 15.00 ALL
EXCEPT NOMAD
SHEET 16.00
NOMAD

③ ACCESS HOLE MASKING & FLOOR
MAT INSTALLATION INSTRUCTION
SHEET 17.00

WINDSHIELD WIPER
SHEET 14.00

COWL VENTILATOR
SHEET 12.00

DASH AND TOE PANEL HOLE LOCATION
SHEET 2.00 LD
SHEET 3.00 RD
DASH PANEL MAT
SHEET 4.00

DASH PANEL HEATER HOLE COVER
SHEET 12.00

REAR FENDER
NAME PLATE
SHEET 15.00

NO. 5A BODY MOUNTING
SHEET 27.00

NO. 5 BODY MOUNTING
SHEET 26.00

NO. 4 BODY MOUNTING
SHEET 25.00

NO. 3A BODY MOUNTING
SHEET 23.00 SPORT COUPE
SHEET 24.00 CONVERTIBLE

NO. 3 OUTER BODY MOUNTING
SHEET 22.00

NO. 3 INNER BODY MOUNTING
SHEET 21.00

NO. 2 OUTER BODY MOUNTING ②
SHEET 20.00

NO. 2 INNER BODY MOUNTING &
GAUGE HOLE INSTRUCTION
SHEET 19.00

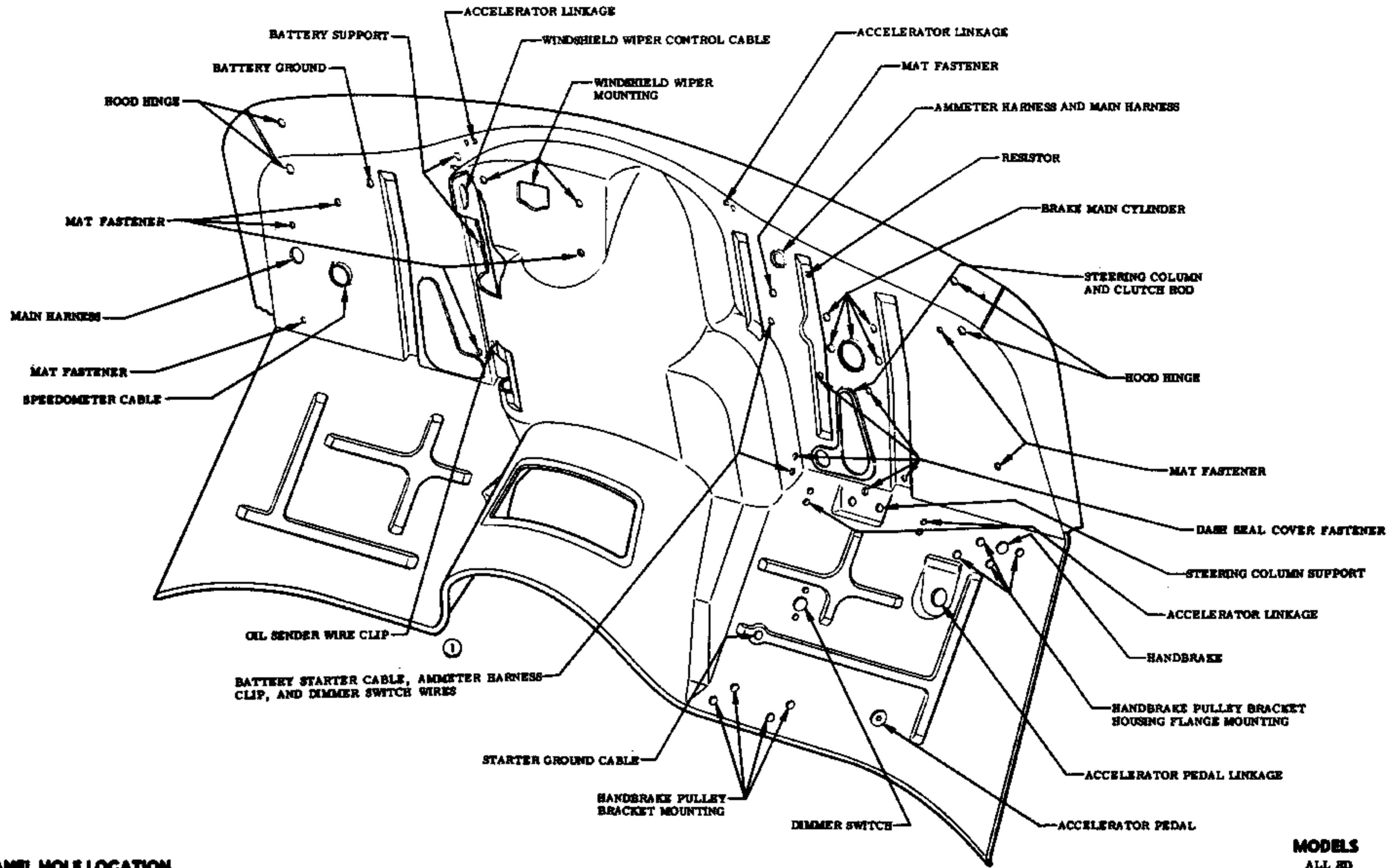
NO. 1 BODY MOUNTING
SHEET 18.00

BODY SHIM HOLDING INSTRUCTION SHEET 29.01 ①
BODY MOUNTING CHECKING DIMENSIONS
INSTRUCTION SHEET 30.00

BODY INSTRUCTION

MODELS
ALL

PASSENGER CAR INSTRUCTION MANUAL									
DATE	SYM.	REVISION RECORD	AUTH.	DR.	CK.	NAME	PART No.	SECT.	SHEET
1-18-55	3	NOTE REVISED	6092	F		REF.			
	2	OUTER ADDED		F		DRAWN			
10-24-55	1	NOTE ADDED	4256			DATE			
						7-25-55	3726600	1	1.00



DASH & TOE PANEL HOLE LOCATION INSTRUCTION

MODELS
ALL MD

						NAME PASSENGER CAR INSTRUCTION MANUAL				
						REF.	DRAWN	CHECKED	SECT.	SHEET
		1 1 MAT FASTENER				F		1		3.00
11-1-55		HOLE REMOVED		4137		DATE	PART No.			
DATE	SYM.	REVISION RECORD		AUTH.	DR.	CK.	7-28-55	3726400		

DASH PANEL MAT ASSY
 3723407 LD
 3723408 RD

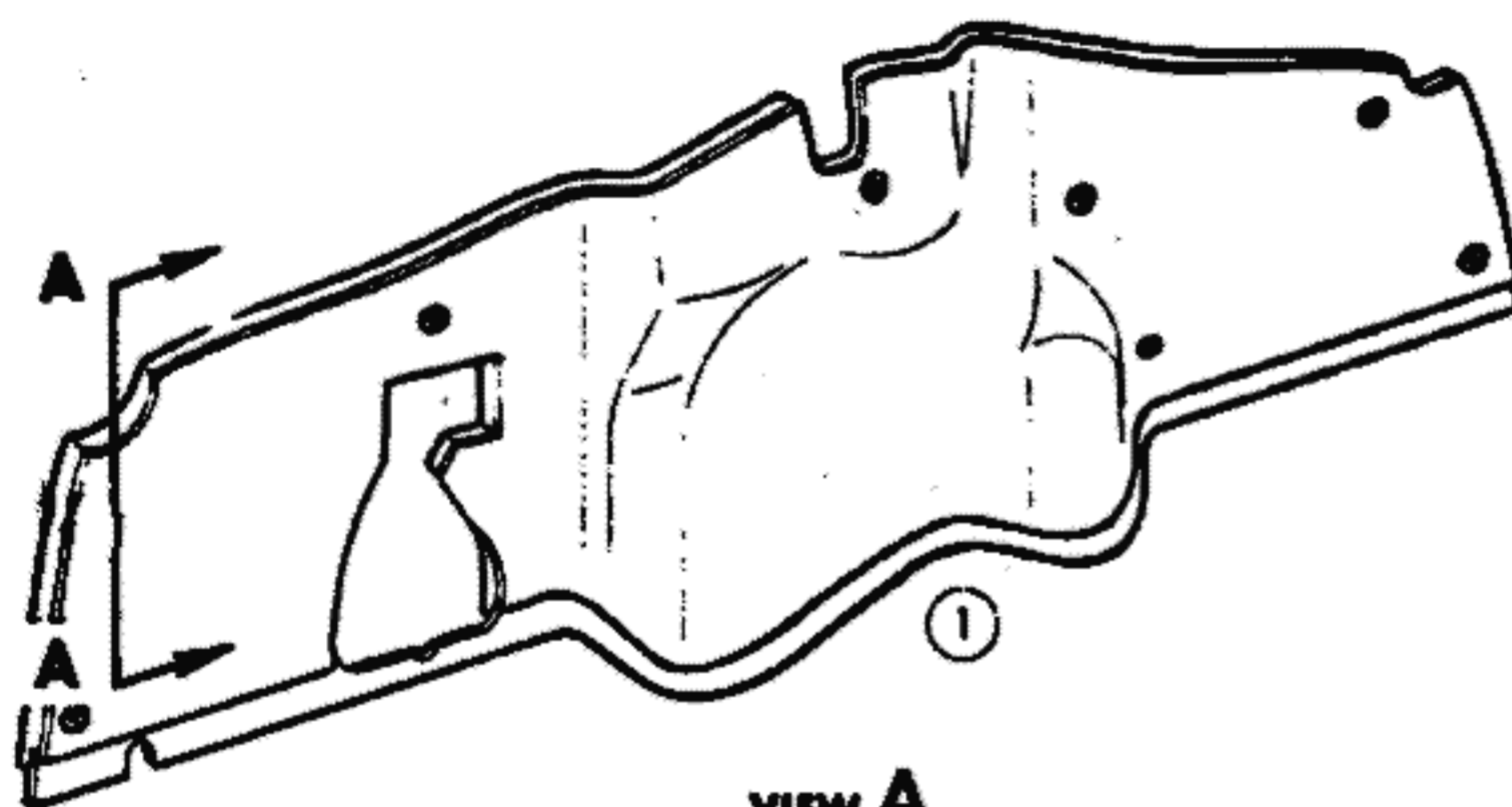
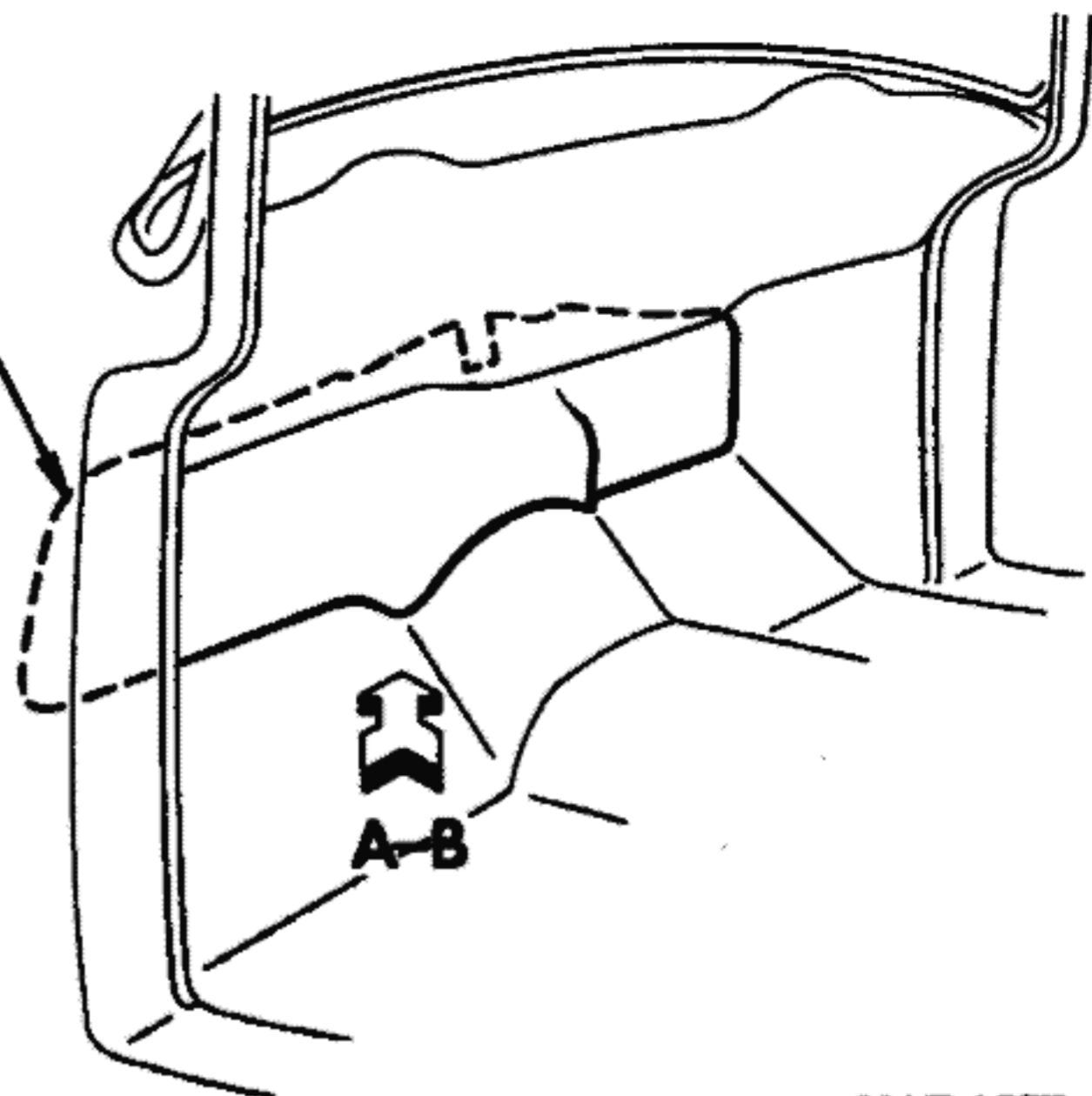
MAT ASSY

REF.
 TOOL USED TO
 INSERT FASTENERS

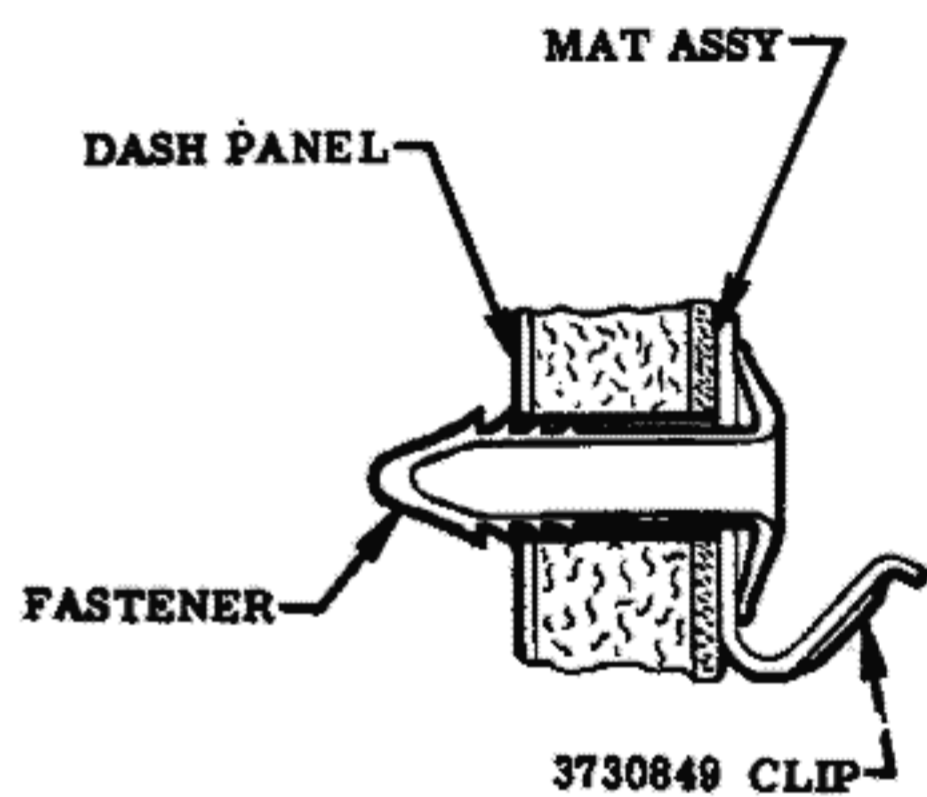
3730562 FASTENER

SECTION A-A
 TYPICAL

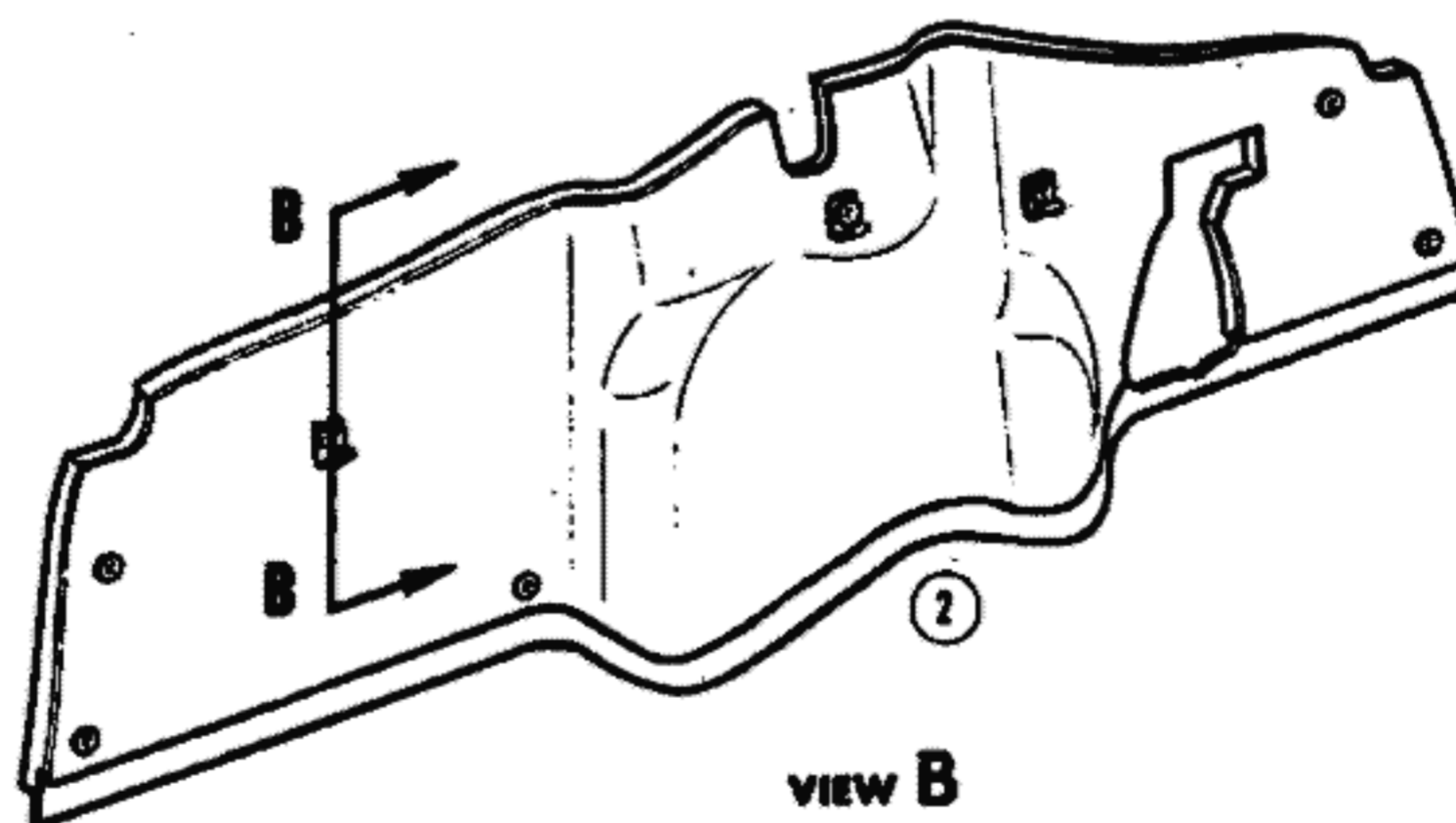
④



VIEW A
 LD



③ SECTION B-B

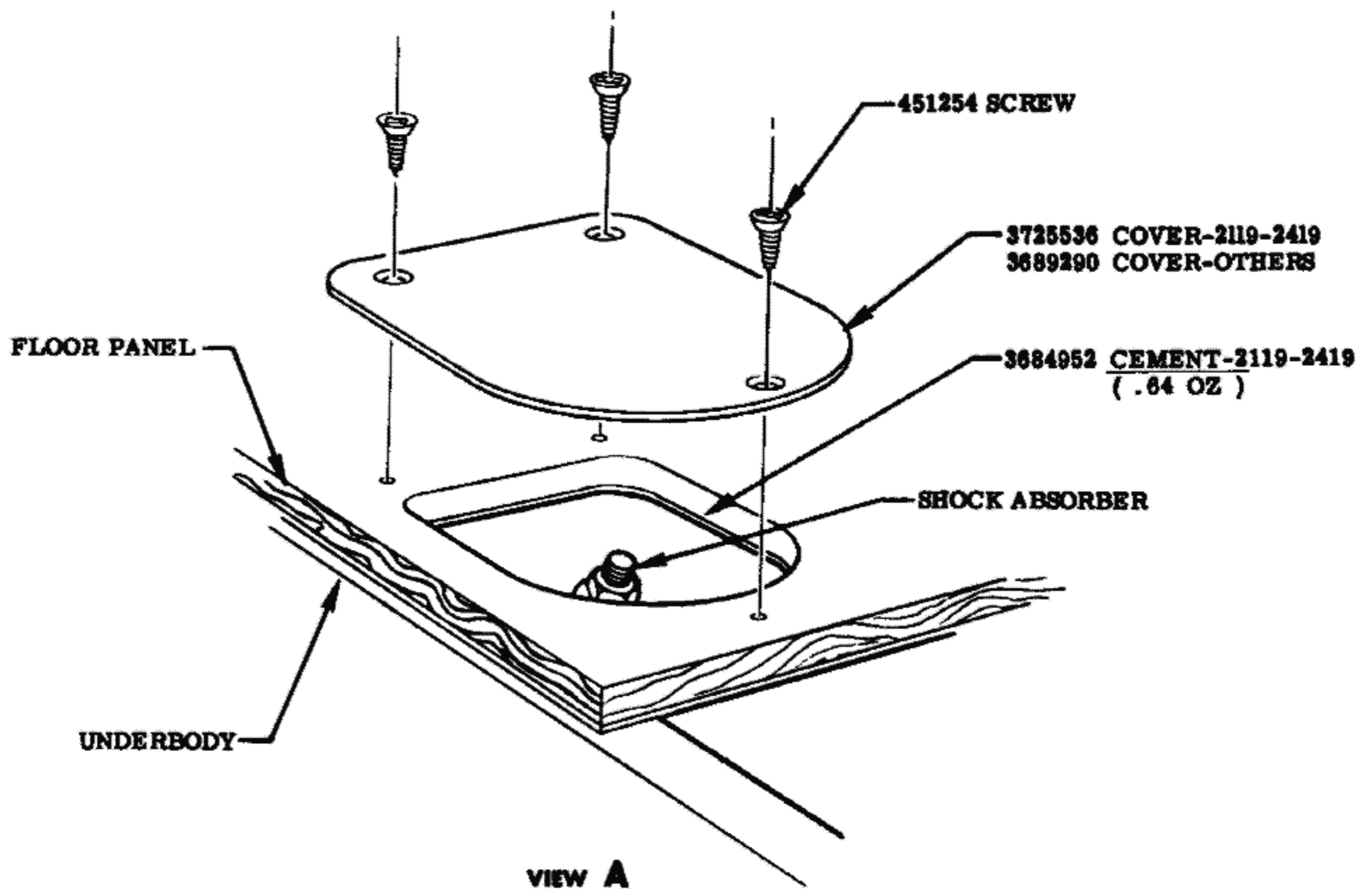
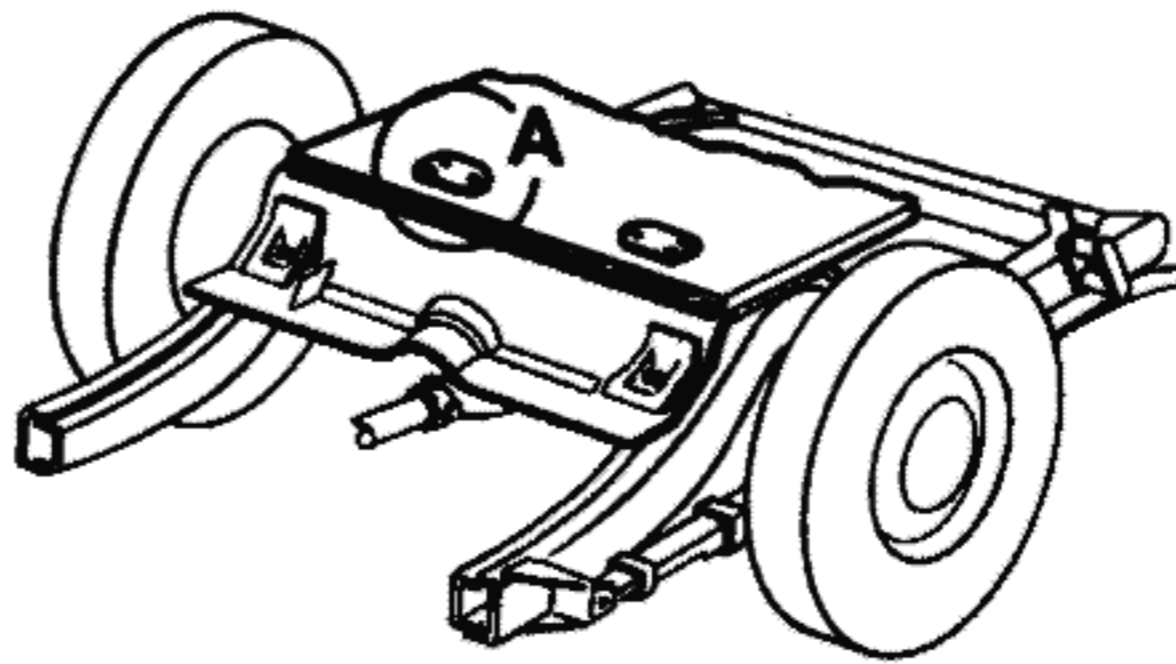


VIEW B
 RD

MODELS
 ALL

DASH PANEL MAT INSTRUCTION

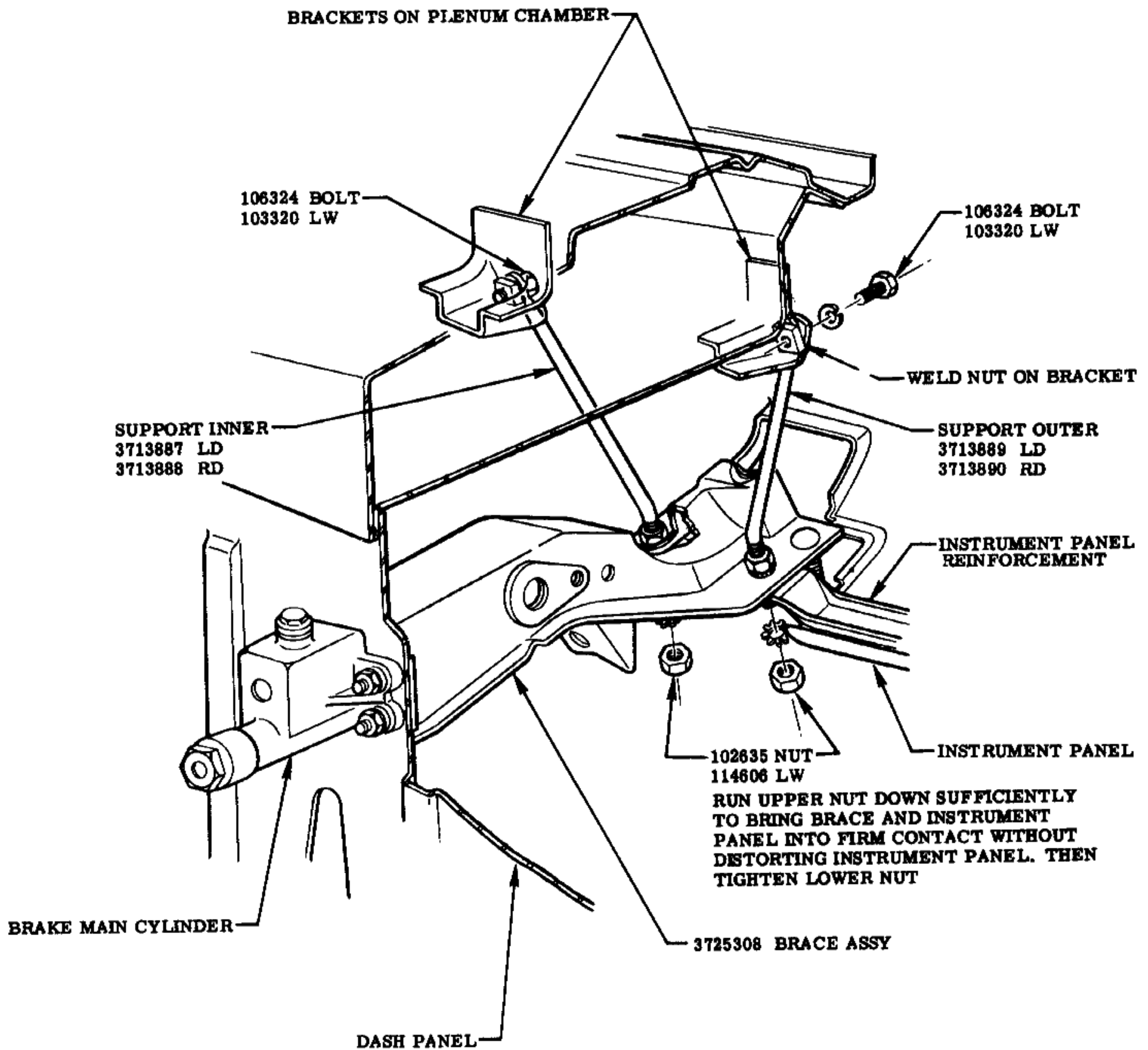
						NAME PASSENGER CAR INSTRUCTION MANUAL				
DATE	SYM.	REVISION RECORD	AUTH.	DR.	CK.	REF.	DRAWN	CHECKED	SECT.	SHEET
2-8-58	4	WAS 3726785	7177		F					
	3	VIEW ADDED	4491		F				F	
	2	1 MAT FASTENER REMOVED								
11-1-55	1	1 MAT FASTENER REMOVED	4137			DATE 7-25-55	PART No. 3726600		1	4.00



REAR SHOCK ABSORBER HOLE COVER INSTRUCTION

MODELS
 SEDAN DELIVERY
 AND STATION WAGON

					NAME PASSENGER CAR INSTRUCTION MANUAL				
					REF.	DRAWN	CHECKED F	SECT.	SHEET
					DATE 7-25-55	PART No. 3726600			1 5.00
DATE	SYM.	REVISION RECORD	AUTH.	DR.	CK.				

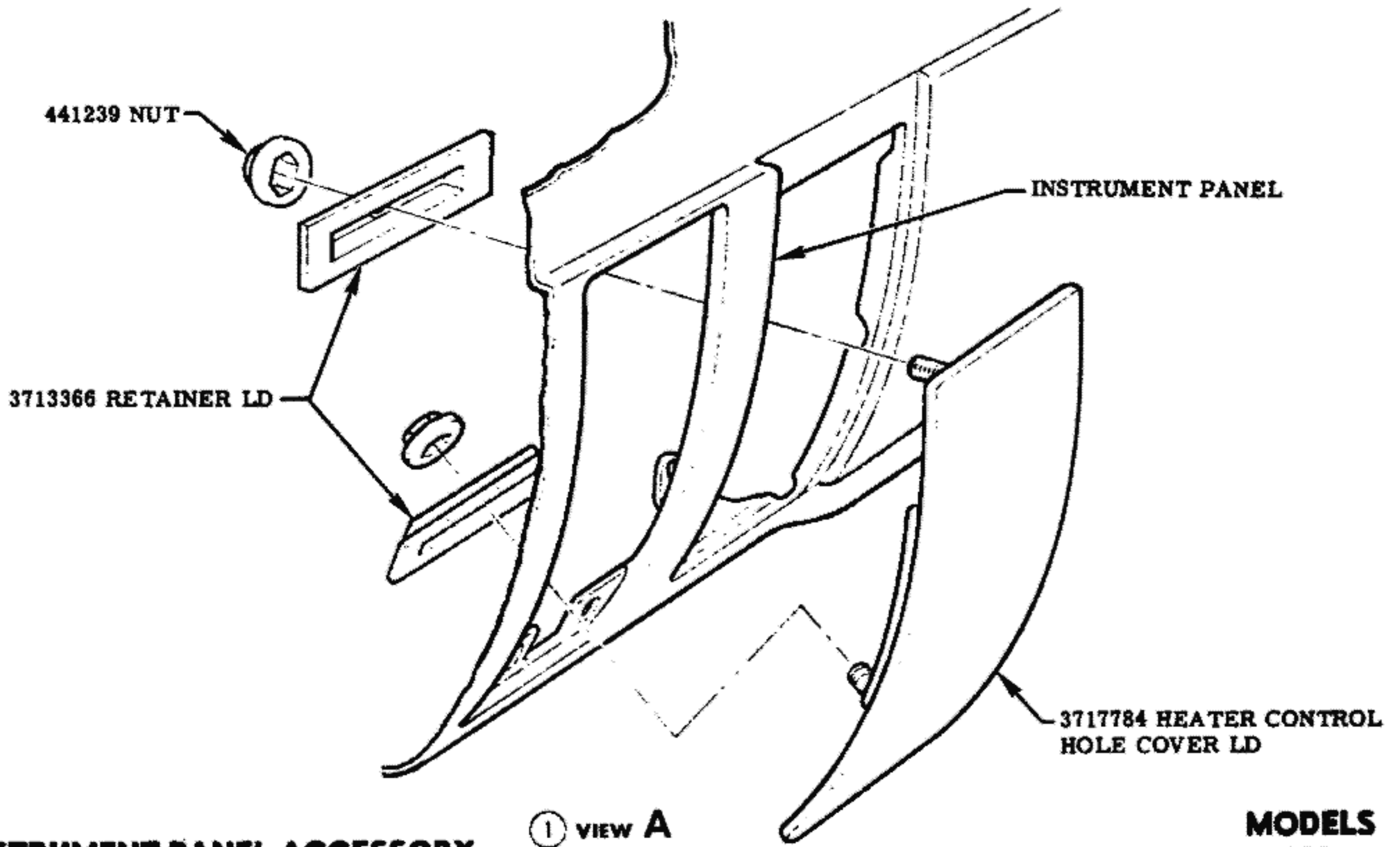
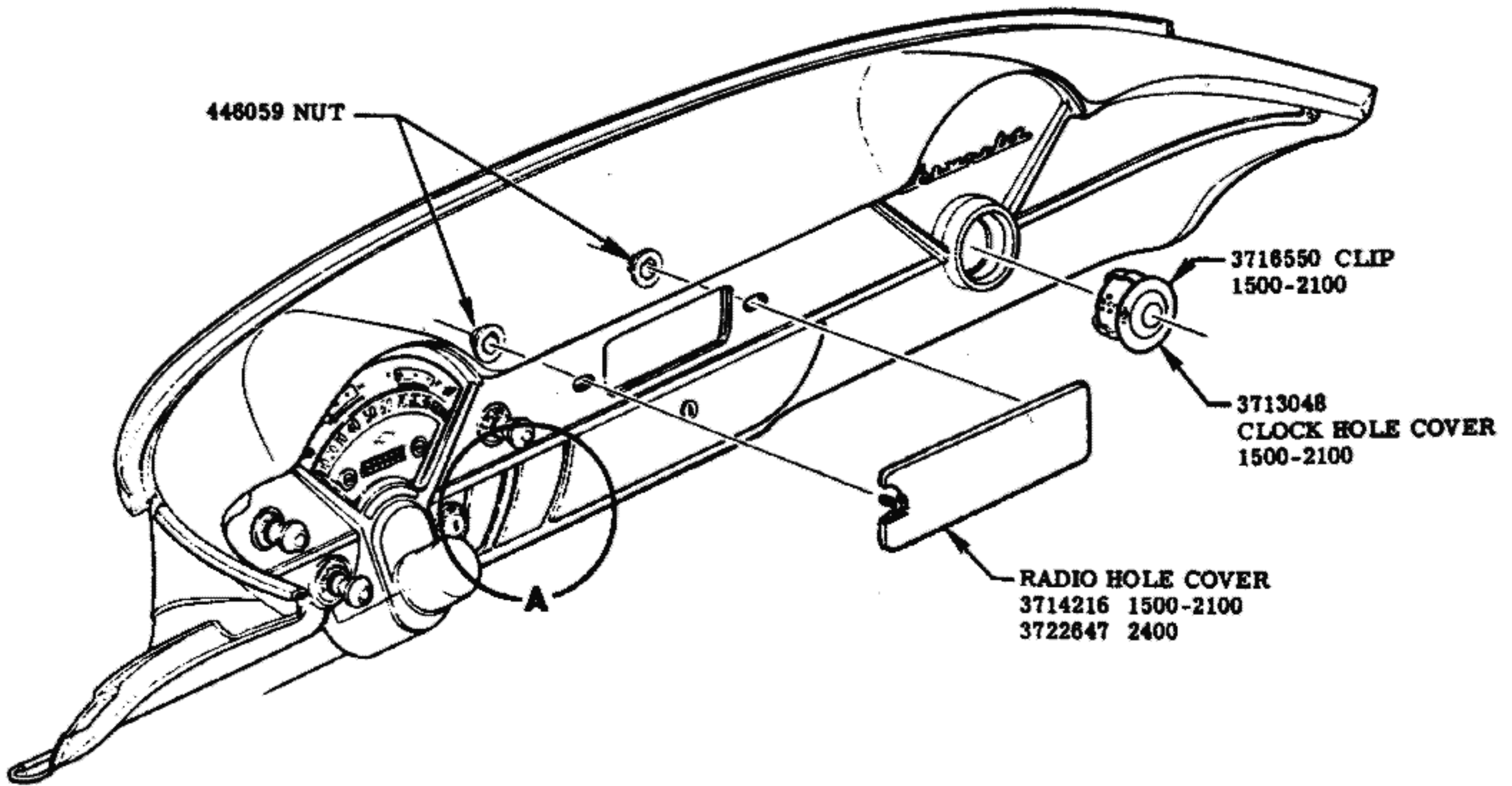


INSTRUMENT PANEL BRACE INSTRUCTION

MODELS

ALL

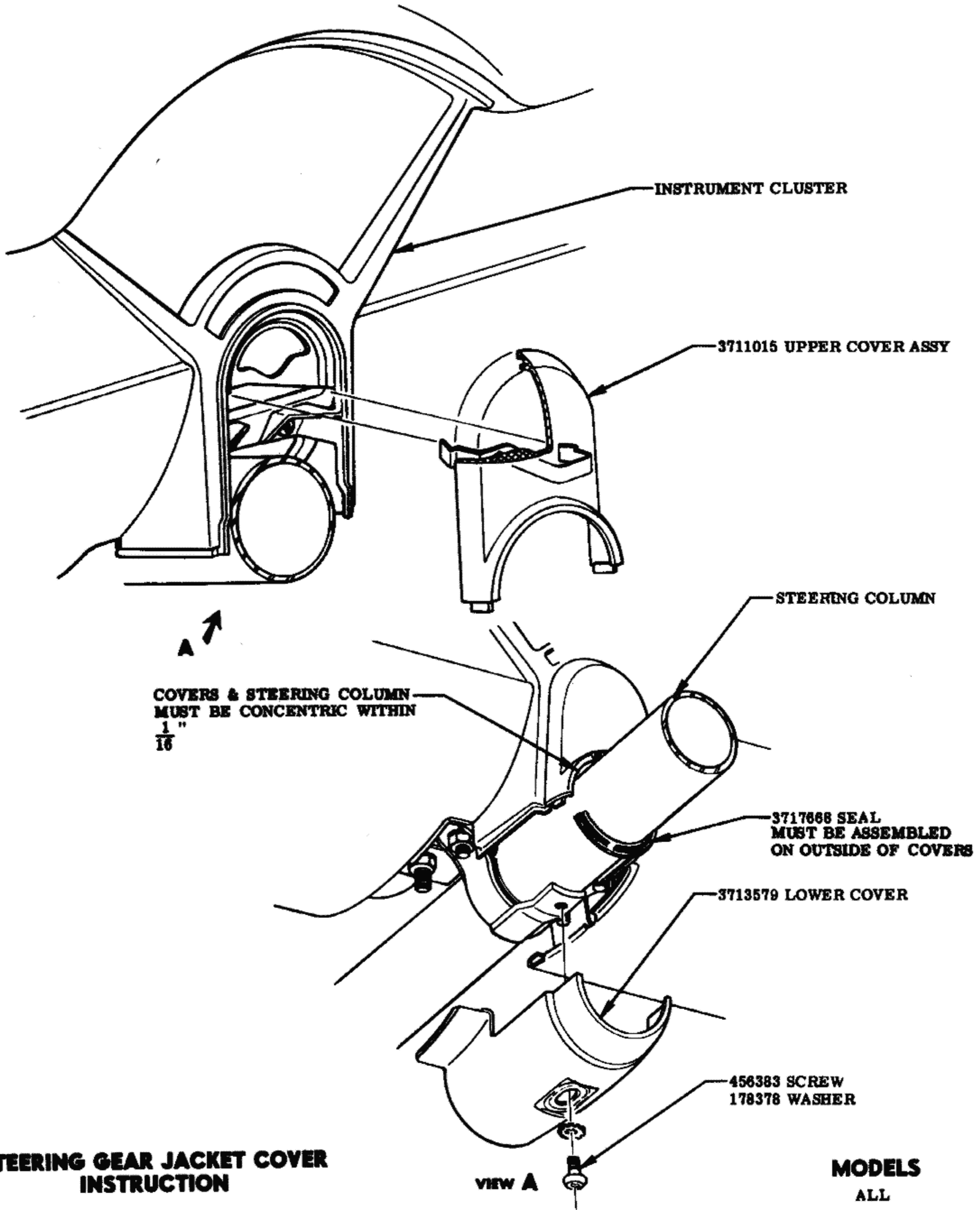
					NAME PASSENGER CAR INSTRUCTION MANUAL				
					REF.	DRAWN	CHECKED	SECT.	SHEET
							F	1	6.00
					DATE	PART No.			
					7-25-55	3726600			
DATE	SYM.	REVISION RECORD	AUTH.	DR.	CK.				



**INSTRUMENT PANEL ACCESSORY
HOLE COVER INSTRUCTION**

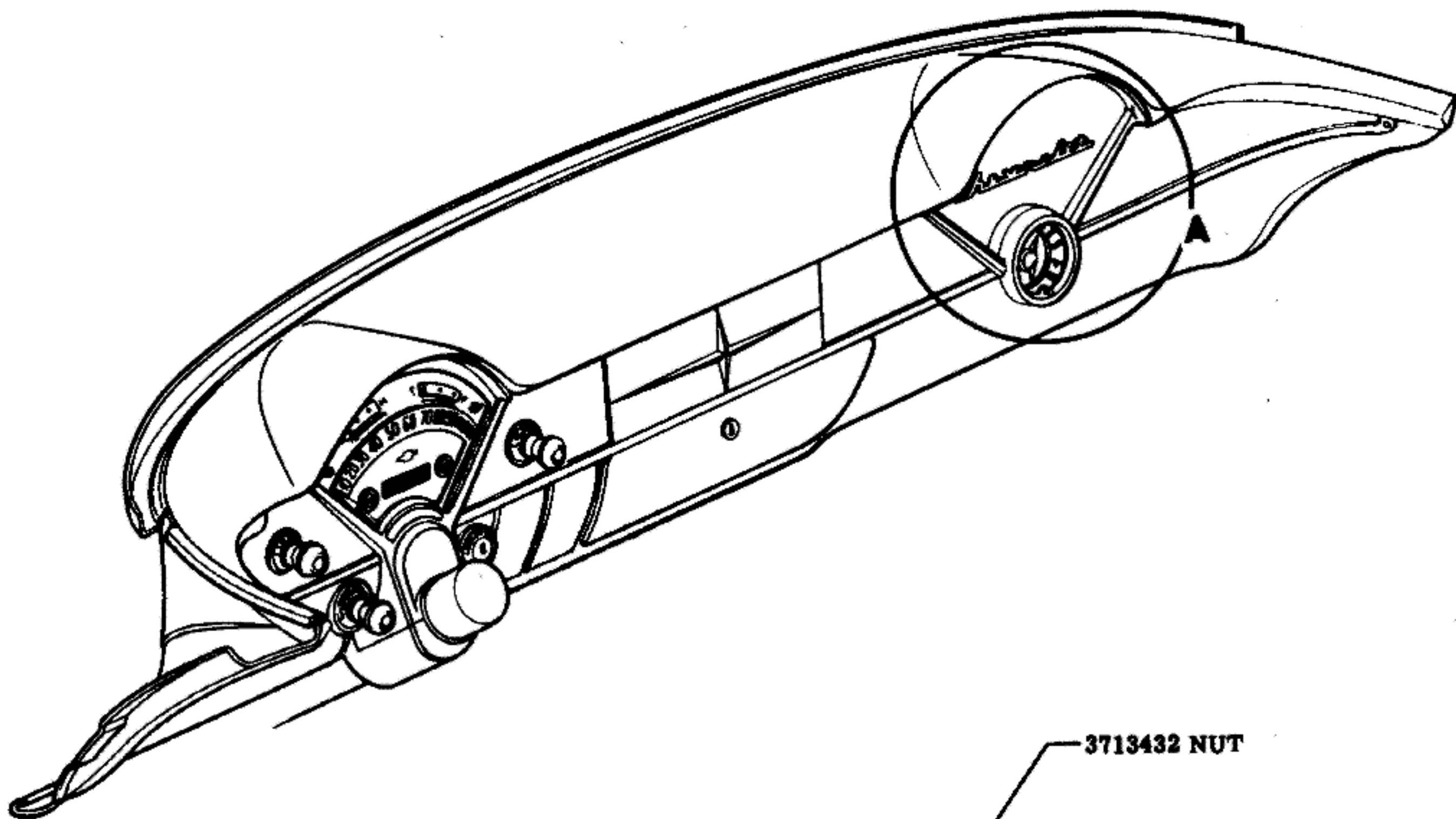
**MODELS
ALL**

					NAME PASSENGER CAR INSTRUCTION MANUAL				
					REF.	DRAWN	CHECKED	SECT.	SHEET
11-7-55	1	REDRAWN & REVISED	2252	F	DATE	PART No.	F	1	7.00
DATE	SYM.	REVISION RECORD	AUTH.	DR.	CK.	7-25-55	3726600		

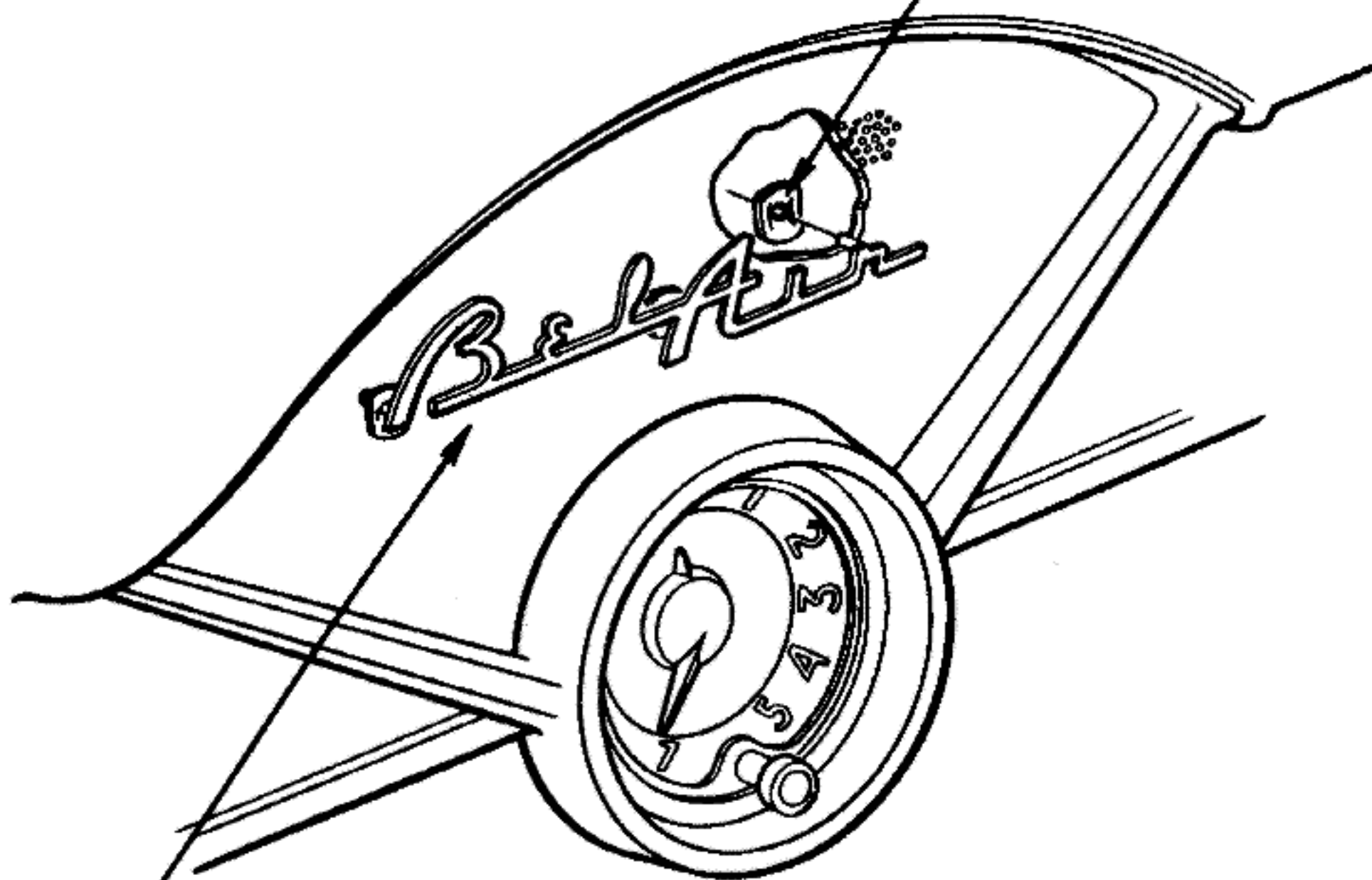


**STEERING GEAR JACKET COVER
INSTRUCTION**

						NAME	PASSENGER CAR INSTRUCTION MANUAL			
						REF.	DRAWN	CHECKED	SECT.	SHEET
						DATE	PART No.	F	1	8.00
DATE	SYM.	REVISION RECORD	AUTH.	DR.	CK.	7-25-55	3726600			



3713432 NUT



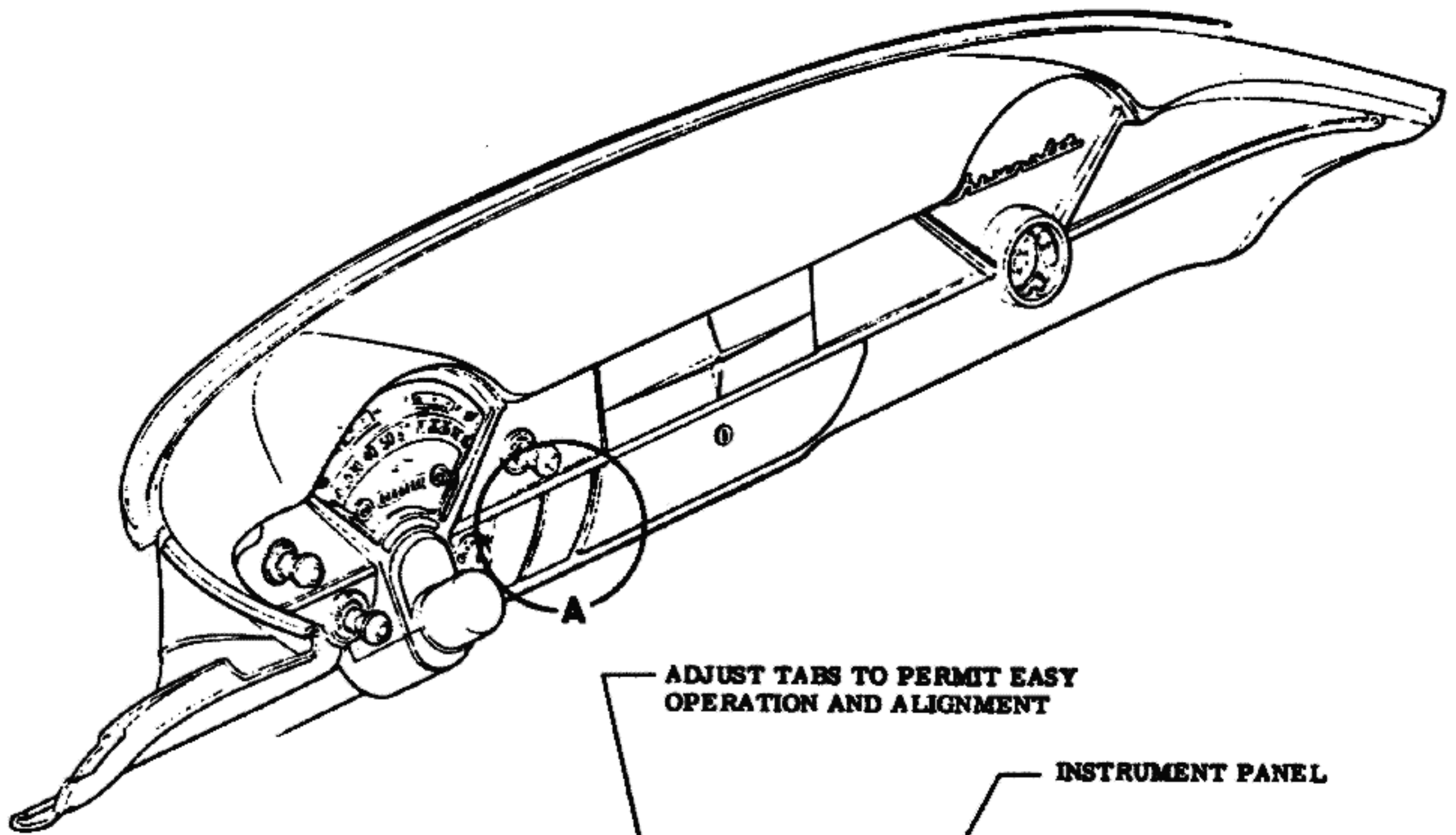
NAME PLATE
 3711574 1500-2100 (SHOWN ABOVE)
 3711609 2400

VIEW A

MODELS
 ALL

**INSTRUMENT PANEL NAME PLATE
 INSTRUCTION**

						NAME	PASSENGER CAR INSTRUCTION MANUAL				
						REF.	DRAWN	CHECKED	F	SECT.	SHEET
						DATE	7-25-55	PART No.	3726600	1	9.00
DATE	SYM.	REVISION RECORD	AUTH.	DR.	CK.						



ADJUST TABS TO PERMIT EASY OPERATION AND ALIGNMENT

INSTRUMENT PANEL

3711131 ASH TRAY ASSY

BRUSH LIGHTLY WITH LUBRIPLATE

3711137 RETAINER

161857 SCREW

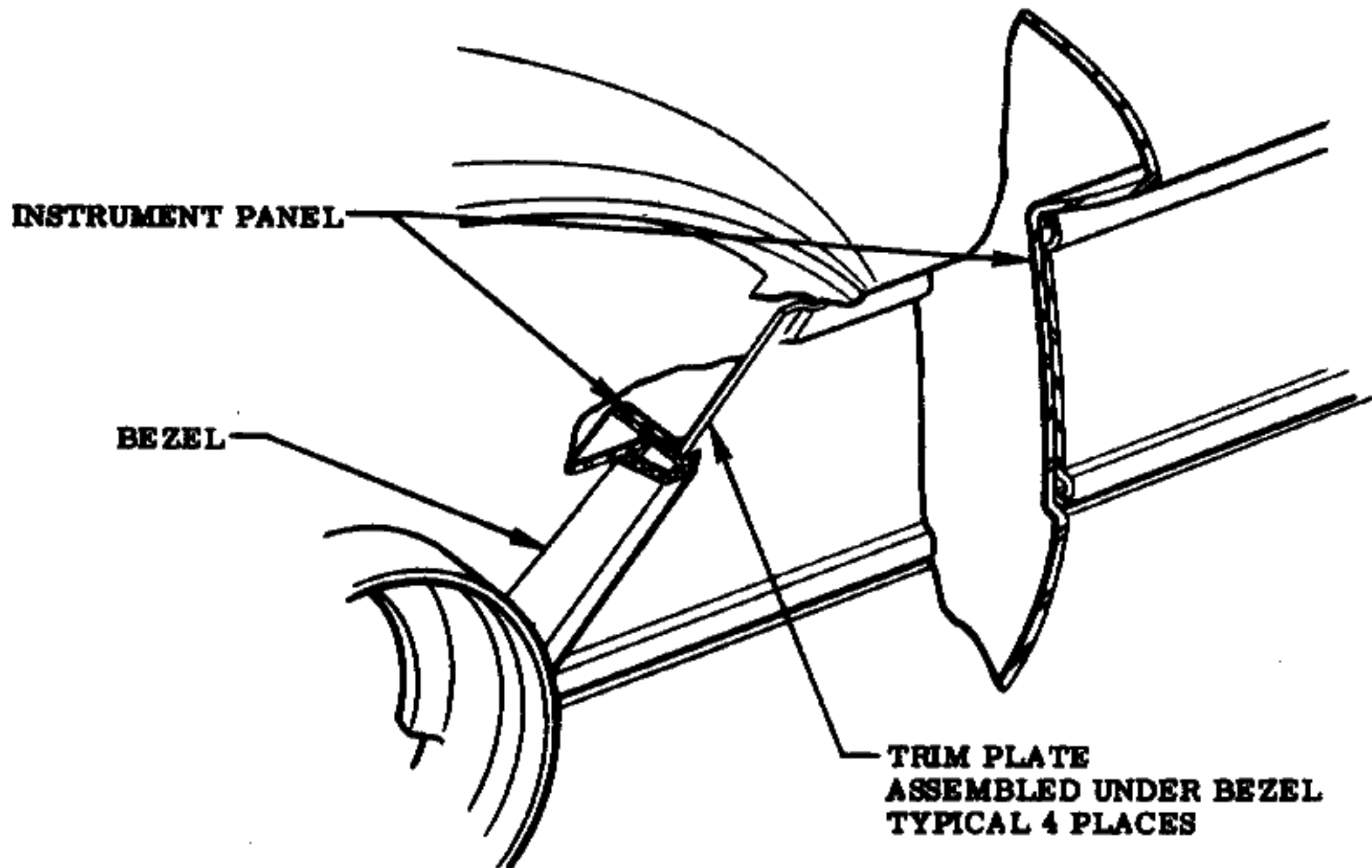
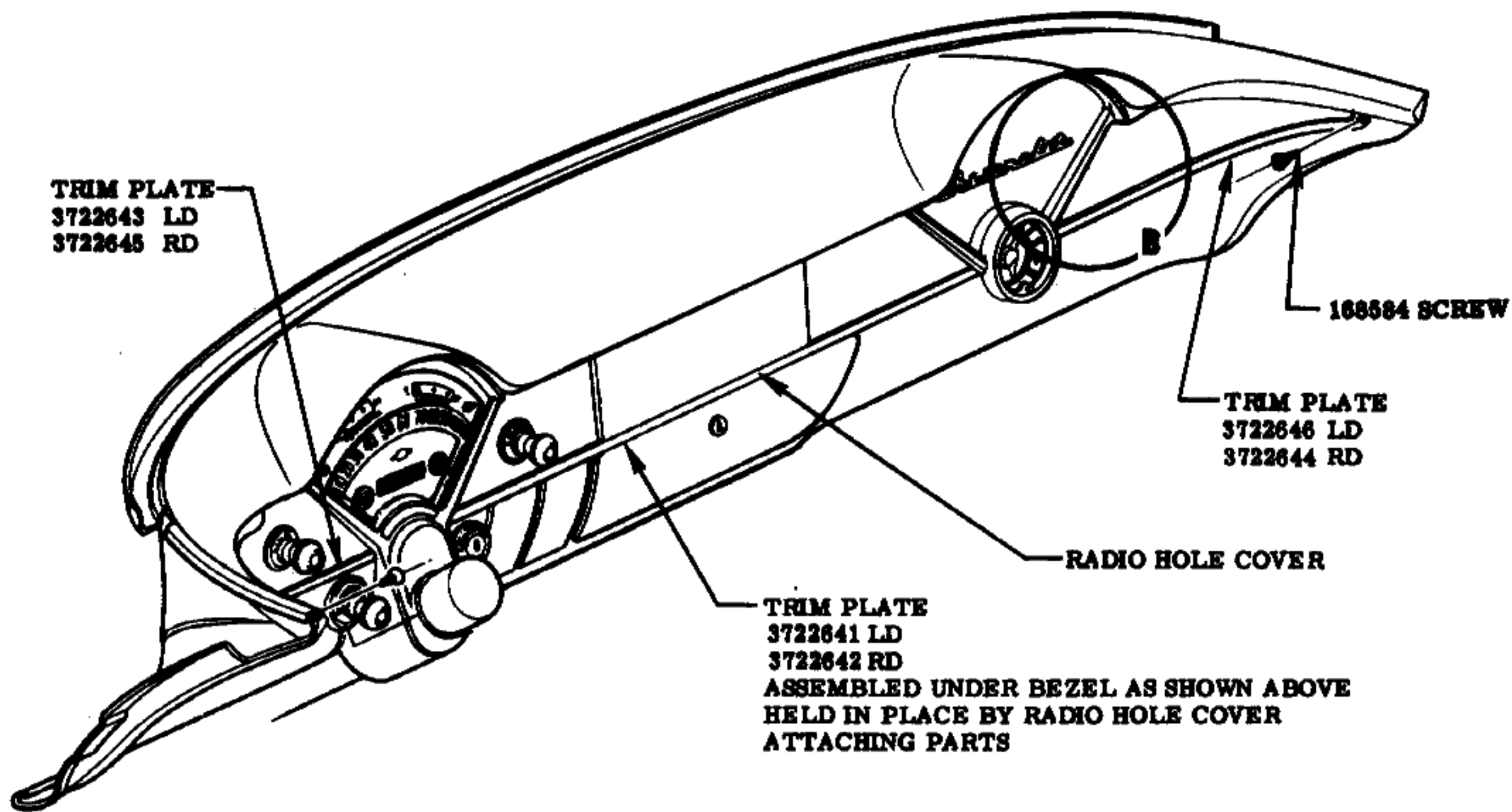
VIEW A

SEE LUBRICATION INSTRUCTION

ASH TRAY INSTRUCTION

MODELS
 ① ALL

						NAME PASSENGER CAR INSTRUCTION MANUAL				
						REF.	DRAWN	CHECKED F	SECT.	SHEET
11-7-55	I	WAS 2100-2400	2252		F	DATE 7-25-55	PART No. 3726600		1	10.00
DATE	SYM.	REVISION RECORD	AUTH.	DR.	CK.					

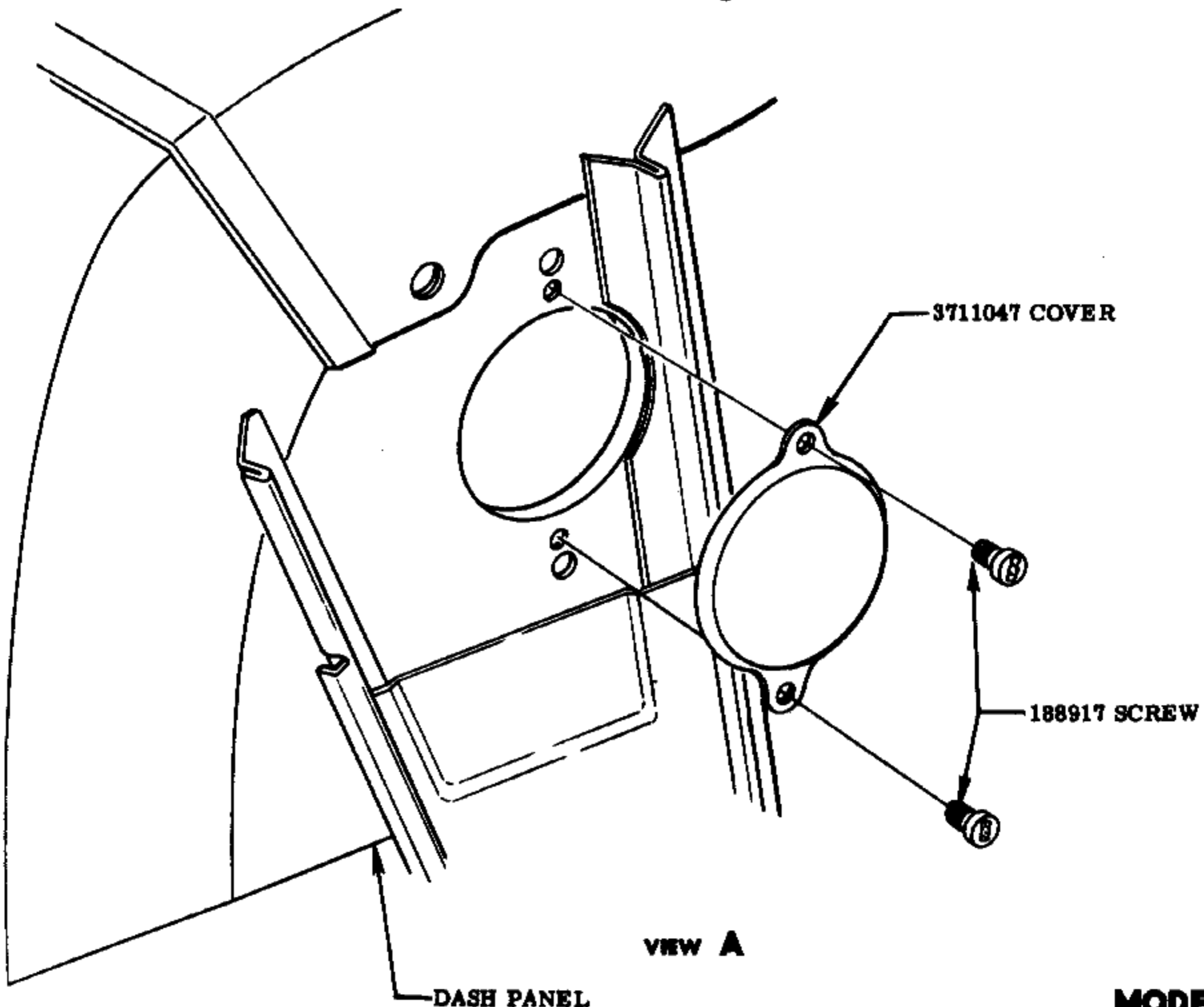
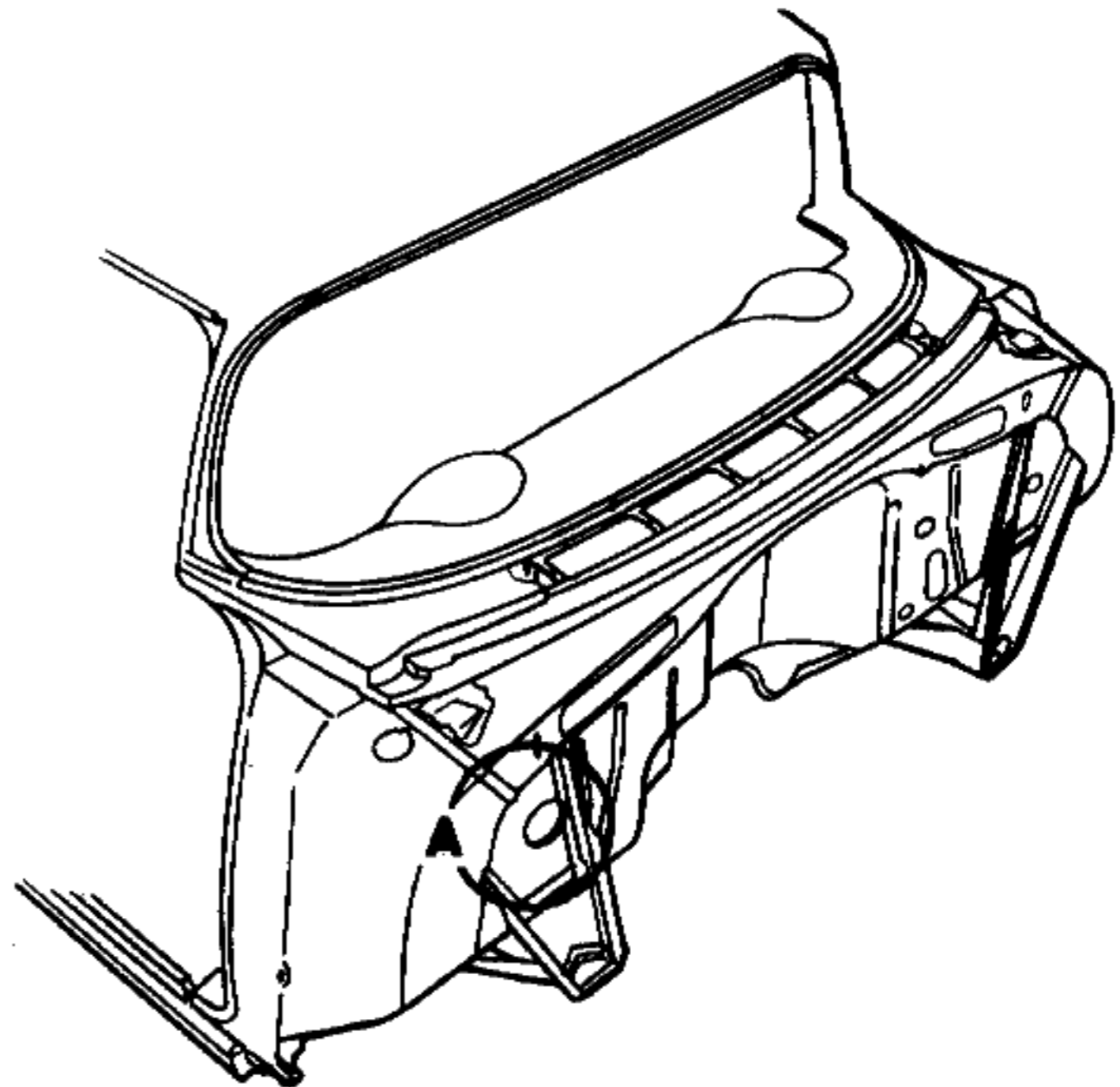


VIEW B

**INSTRUMENT PANEL TRIM PLATES
INSTRUCTION**

MODELS
2400

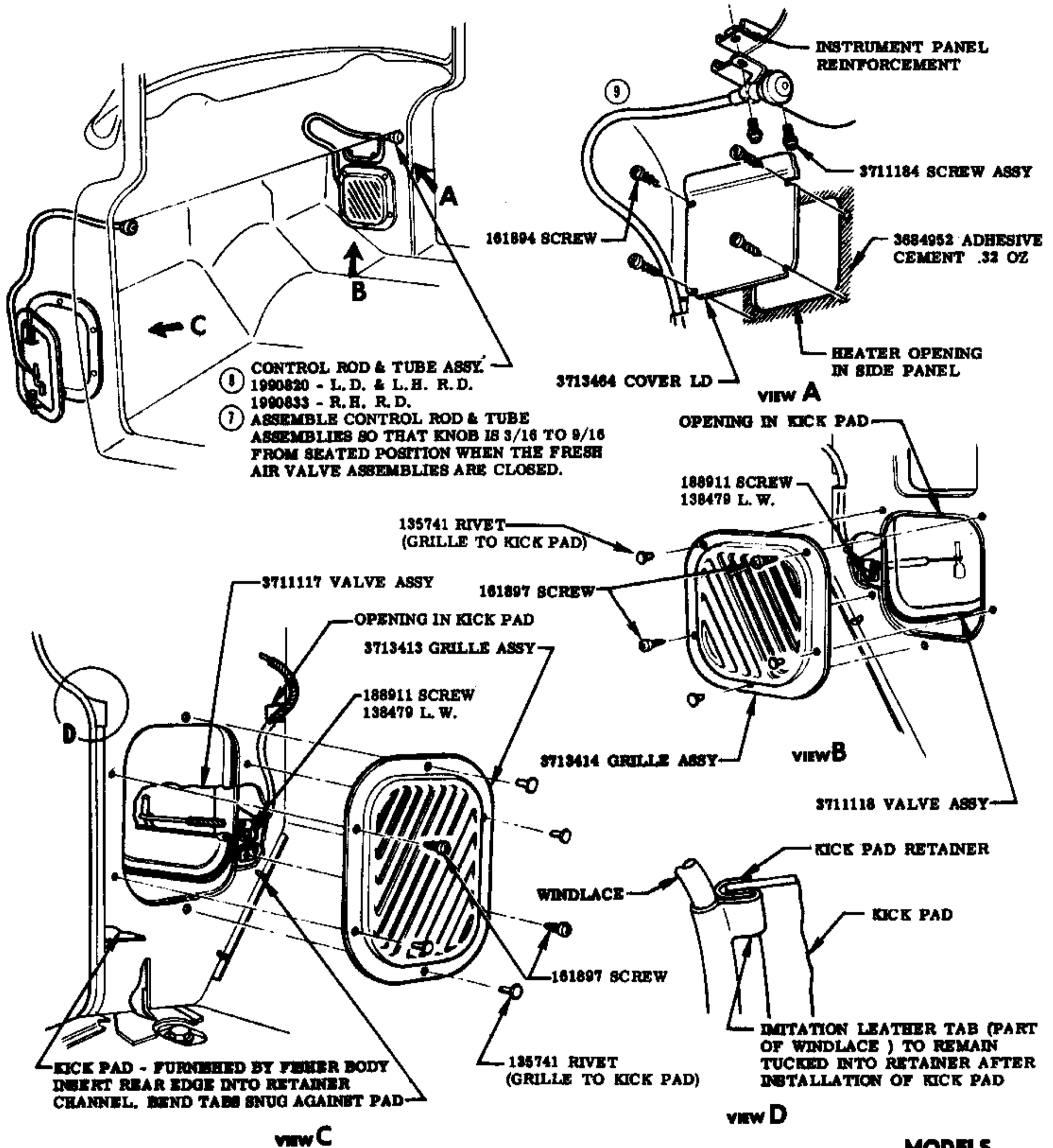
						NAME	PASSENGER CAR INSTRUCTION MANUAL			
						REF.	DRAWN	CHECKED	SECT.	SHEET
								F	1	11.00
DATE	SYM.	REVISION RECORD	AUTH.	DR.	CK.	DATE	PART No.			
						7-25-55	3726600			



DASH PANEL HEATER HOLE COVER INSTRUCTION

MODELS
ALL LD

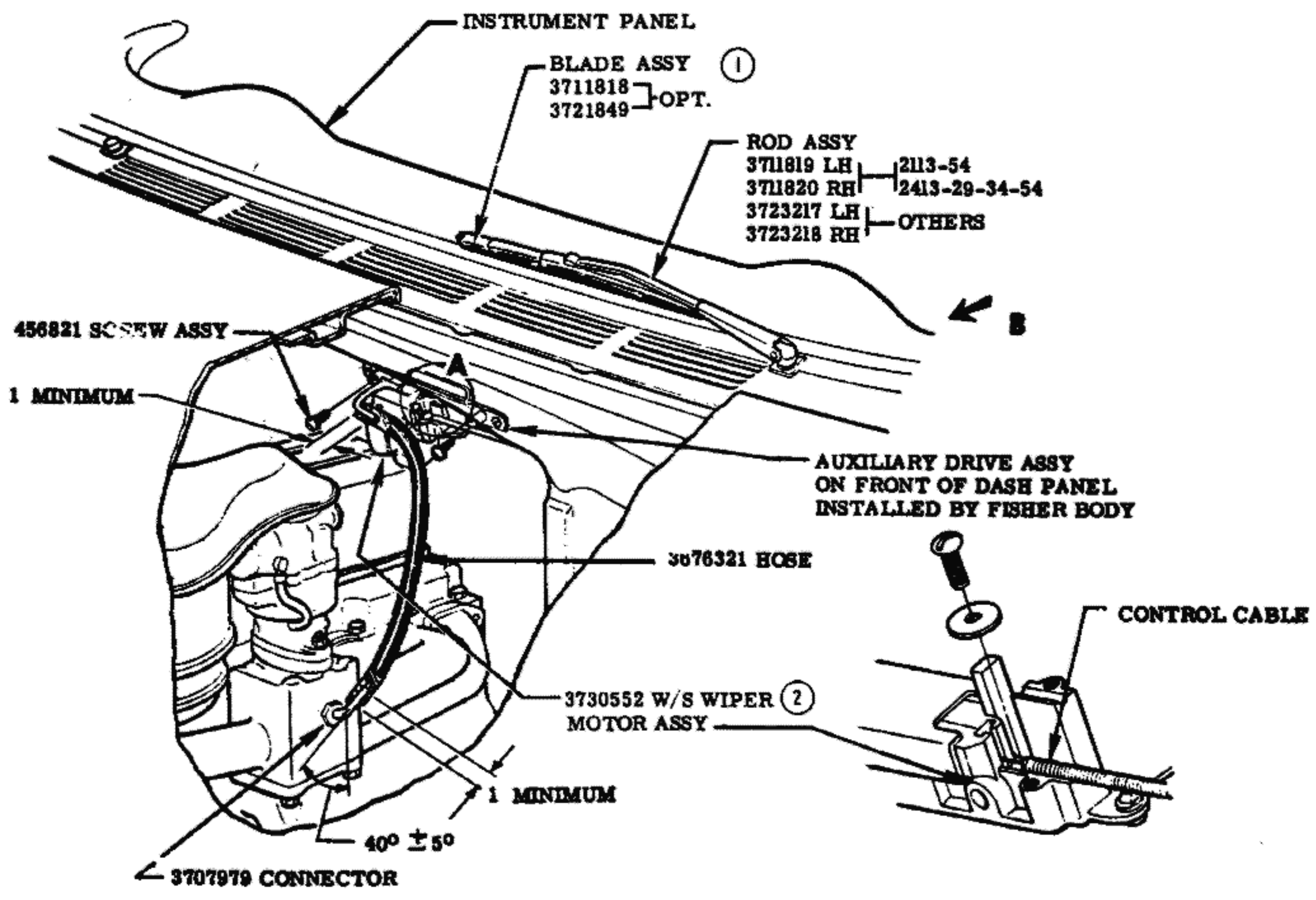
						NAME PASSENGER CAR INSTRUCTION MANUAL				
						REF.	DRAWN	CHECKED	SECT.	SHEET
								F	1	12.00
						DATE	PART No.			
						7-25-55	3726600			
DATE	SYM.	REVISION RECORD	AUTH.	DR.	CK.					



MODELS
ALL

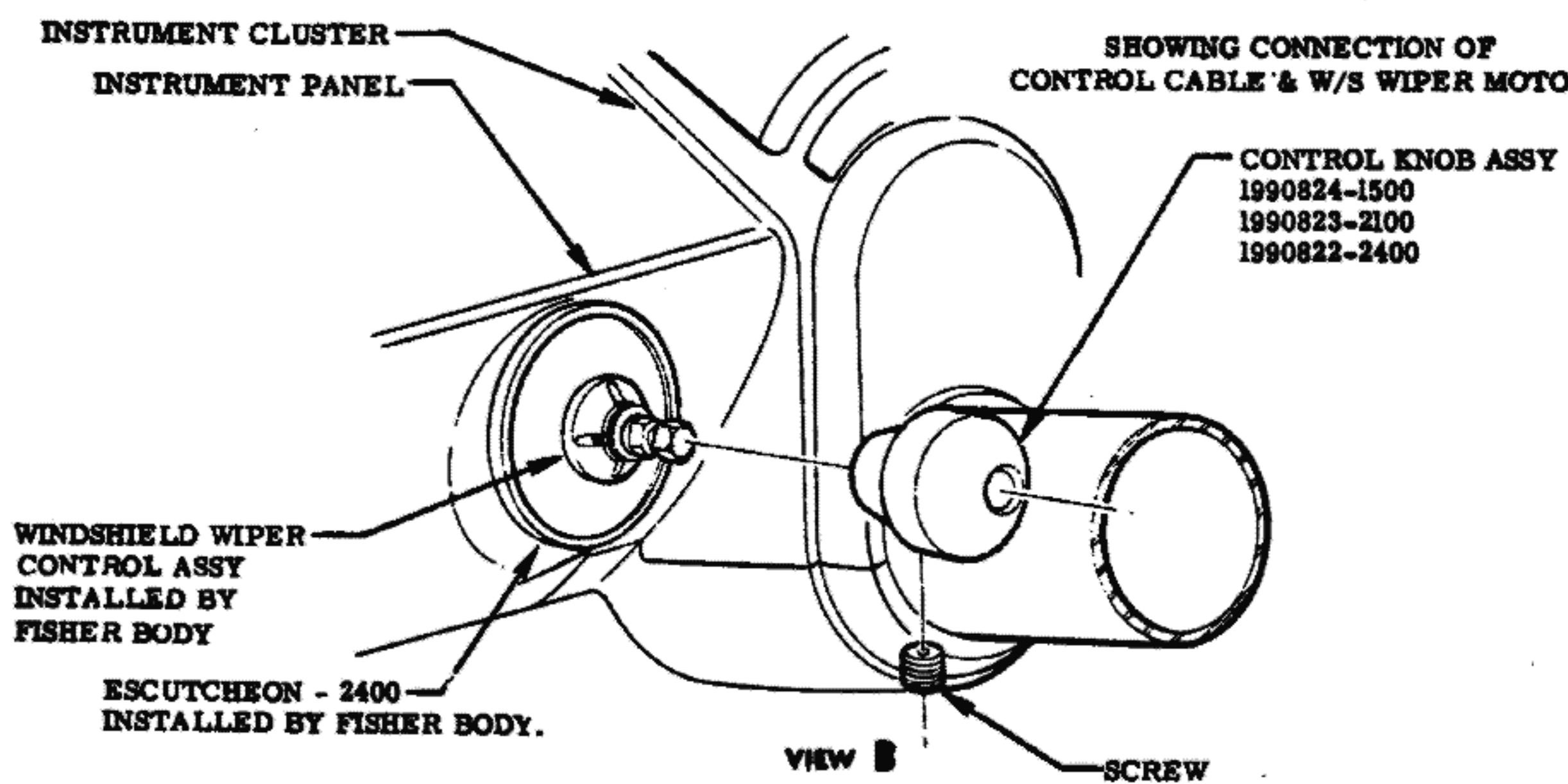
COWL VENTILATOR INSTRUCTION

	9	CLIP REMVD & ROD REROUTED			F	NAME	PASSENGER CAR INSTRUCTION MANUAL				
	8	1990820 WAS "L. H. L. D. & R. D."				REF.	DRAWN	CHECKED	F	SECT.	SHEET
	7	1990831 R. H., L. D. REMOVED				DATE	PART No.	3726600		1	13.00
1-30-56	6	REDRAWN	6381	V		7-25-55					
DATE	SYM.	REVISION RECORD	AUTH.	DR.	CK.						



VIEW A

SHOWING CONNECTION OF
CONTROL CABLE & W/S WIPER MOTOR



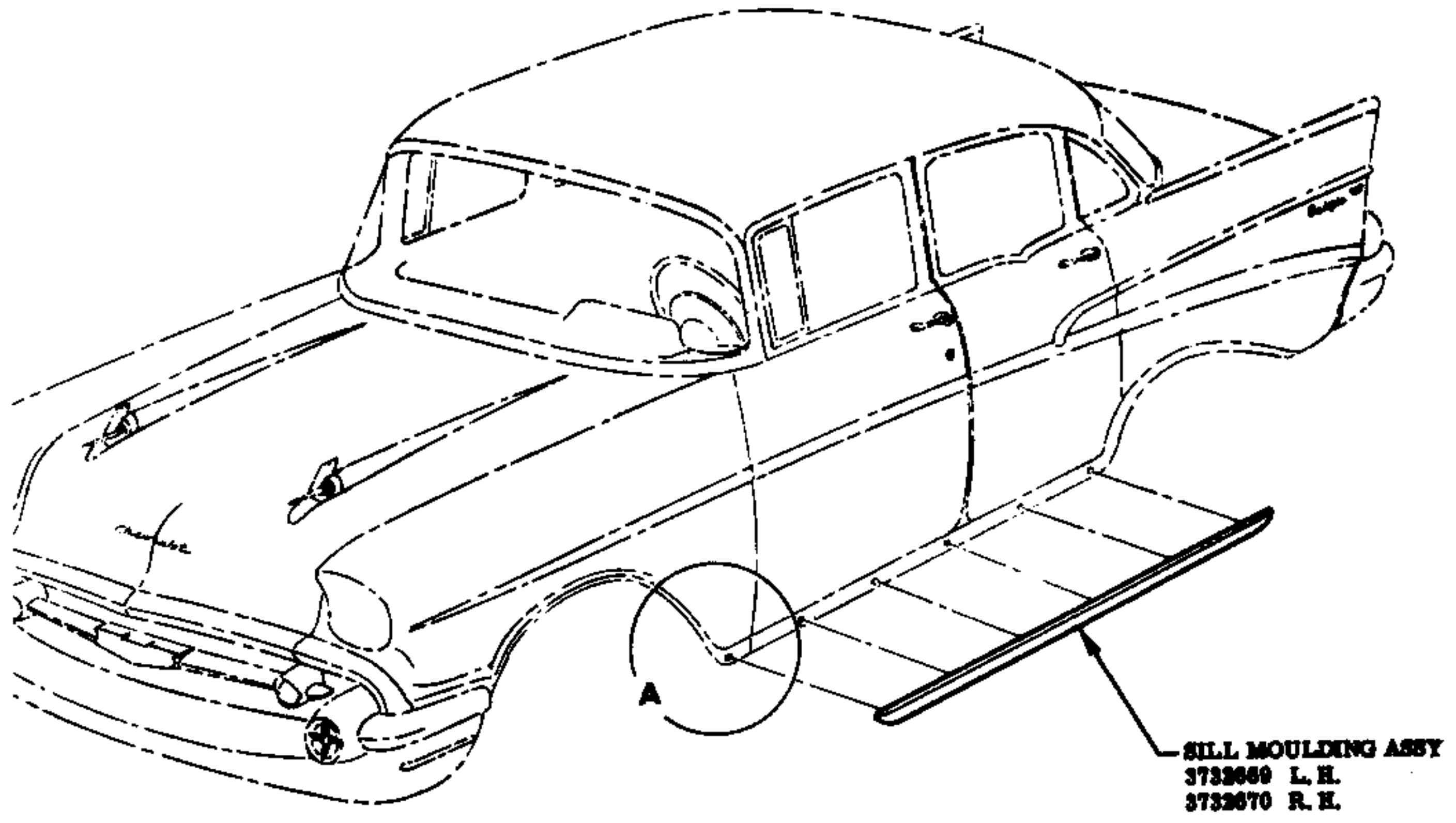
VIEW B

MODELS
ALL

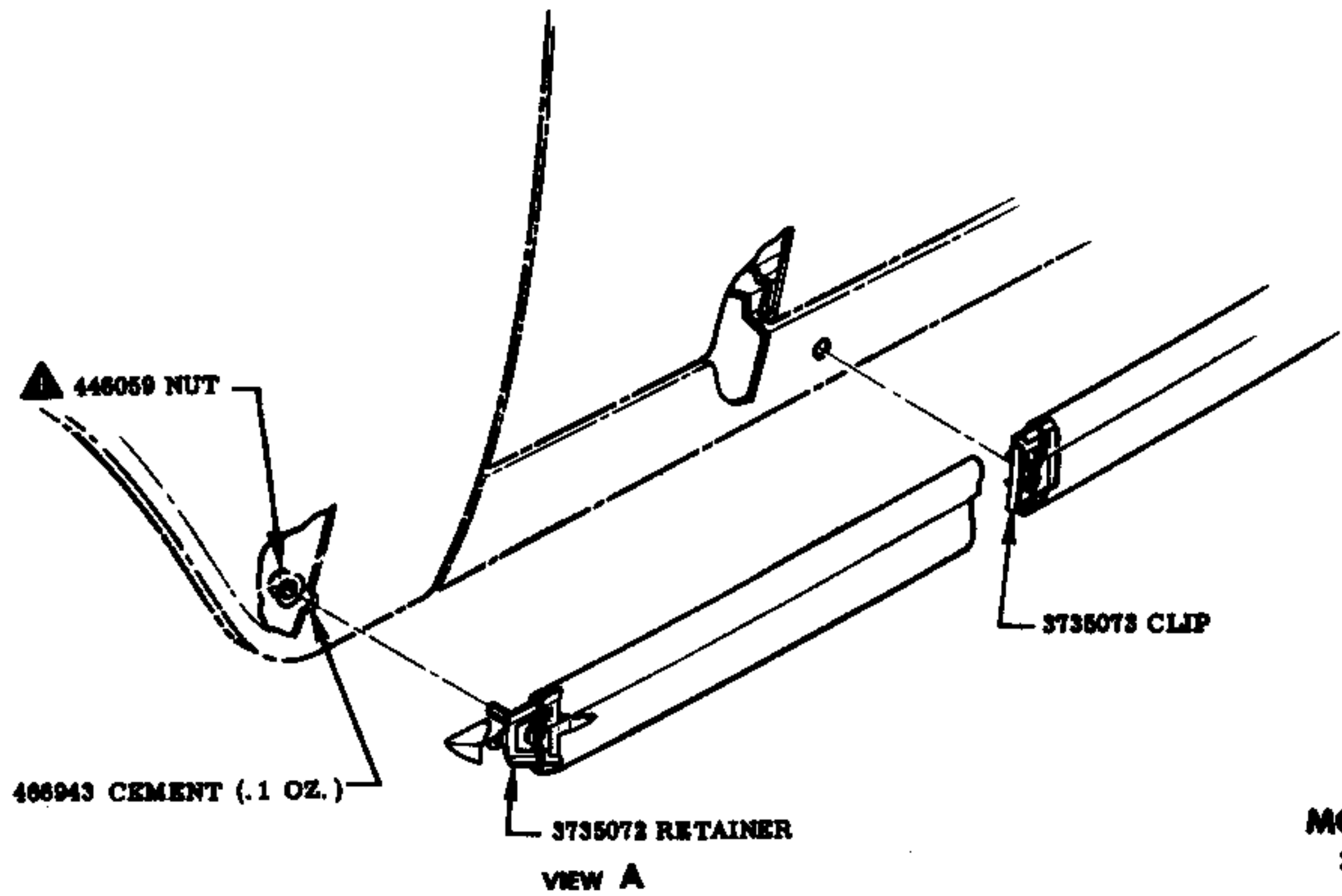
WINDSHIELD WIPER INSTRUCTION

					NAME	PASSENGER CAR INSTRUCTION MANUAL			
					REF.	DRAWN	CHECKED	SECT.	SHEET
					DATE	PART No.		1	14.00
10-24-55	2	WAS 4651974	4177	F	7-25-55	3726600			
DATE	SYM.	REVISION RECORD	AUTH.	DR.	CK.				
	1	3721849 OPT ADDED							

▲ 20-25 LBS. IN. ①



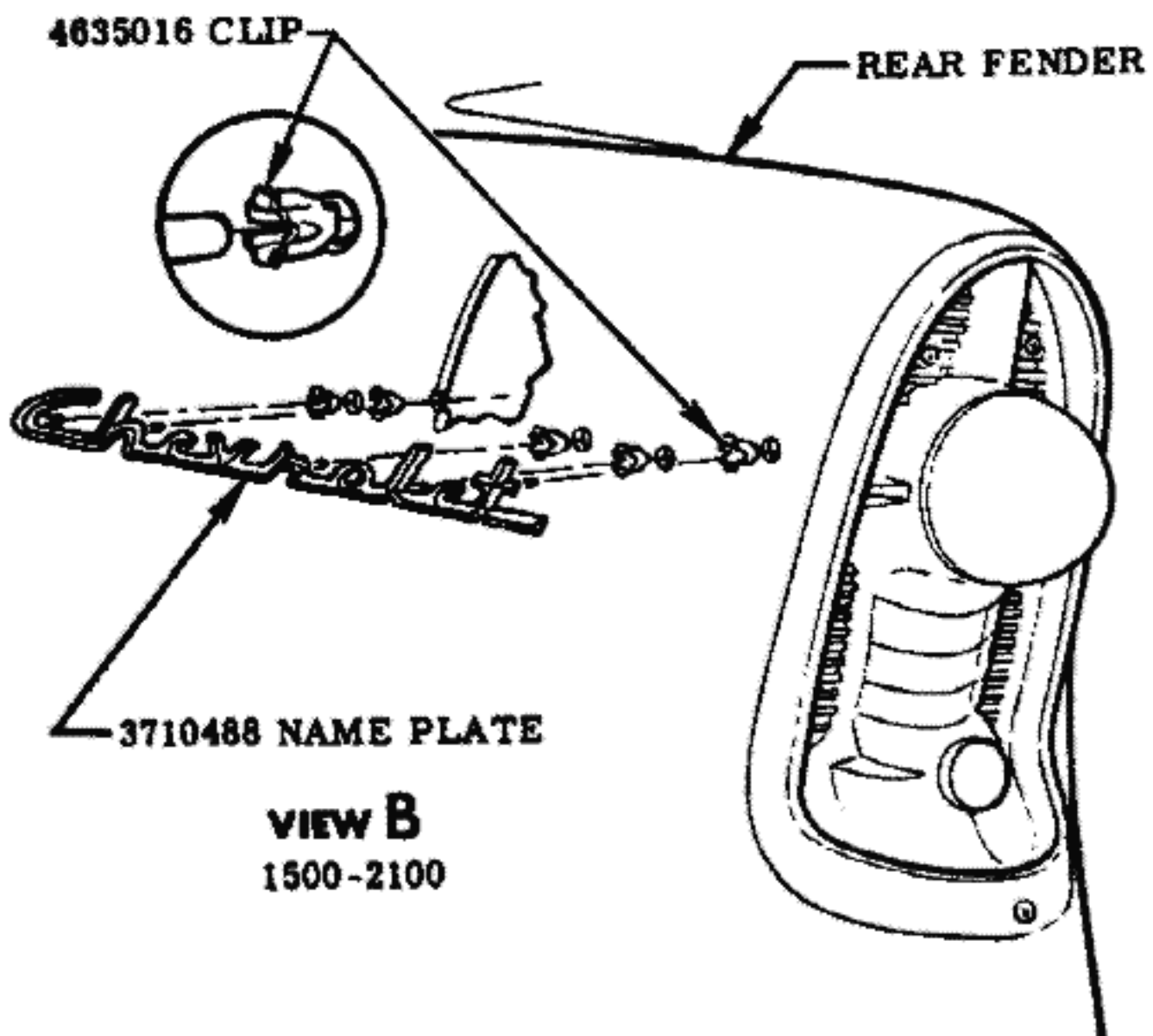
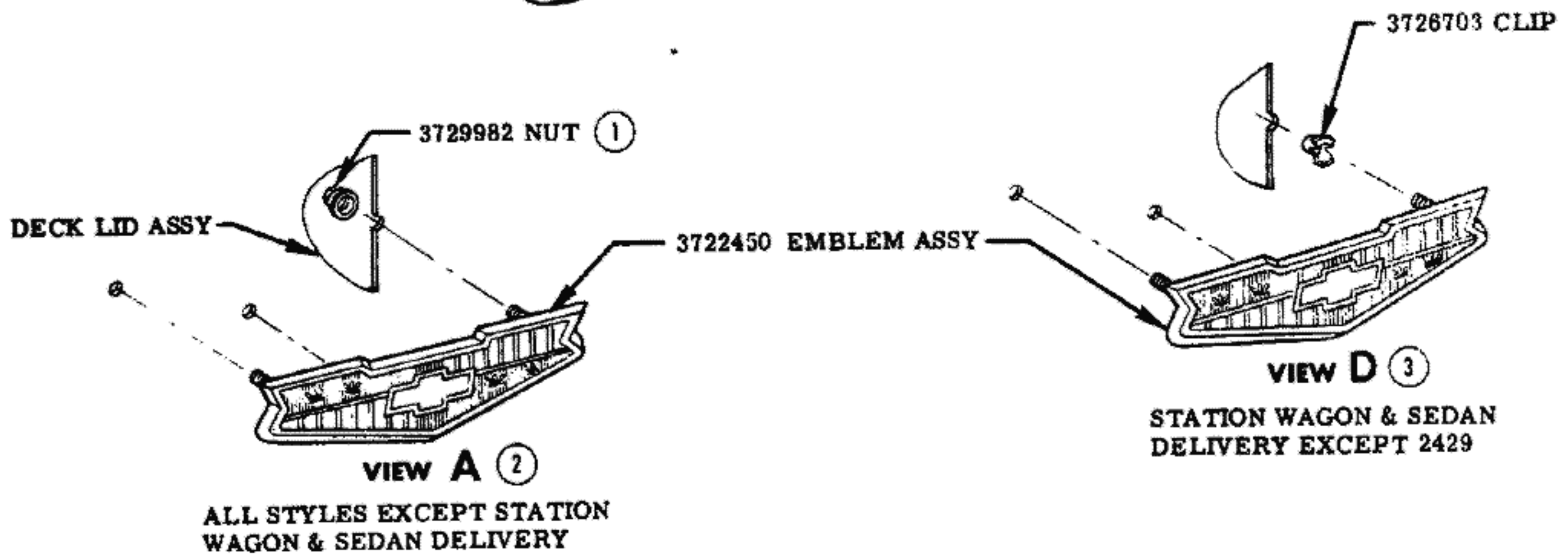
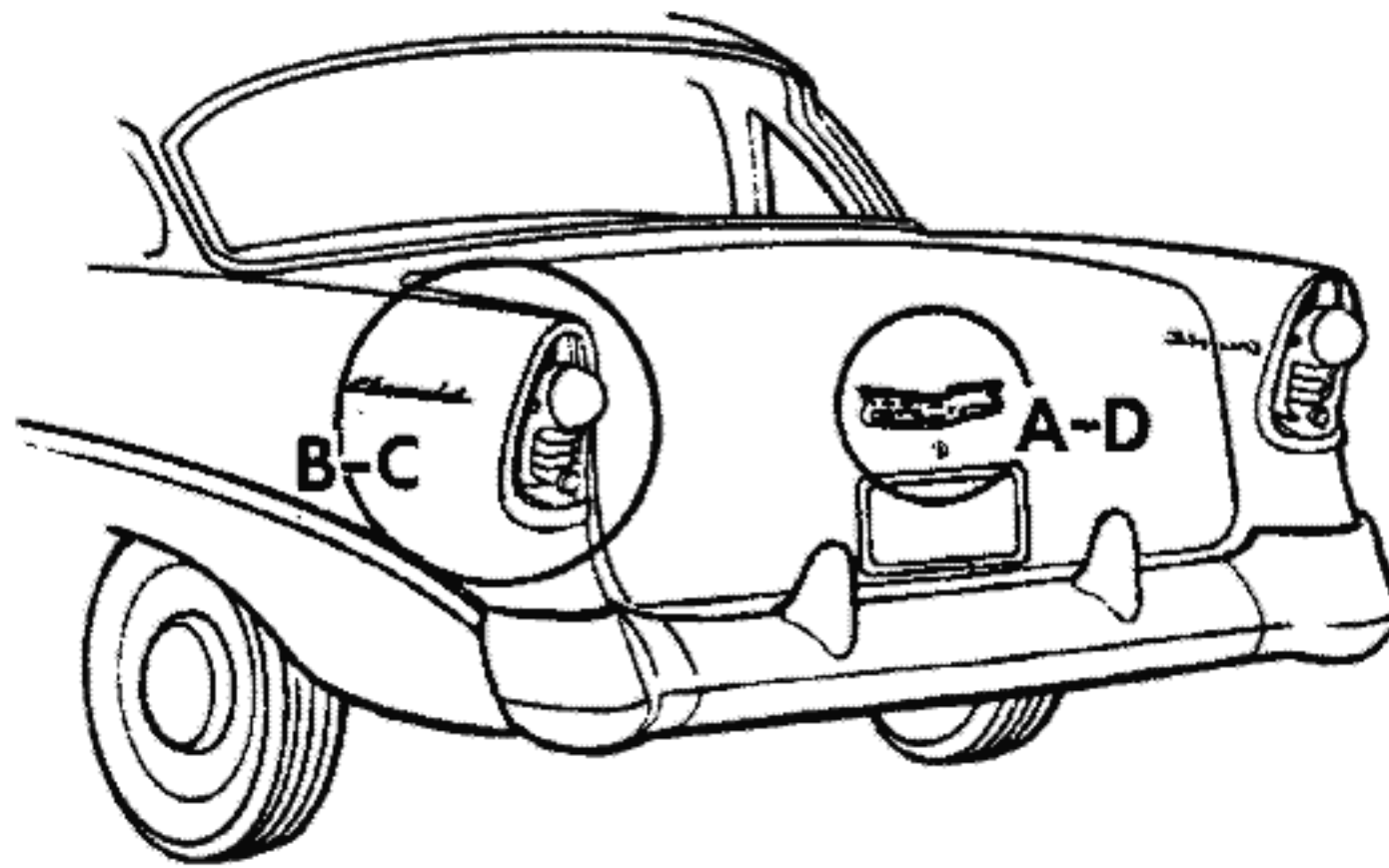
SILL MOULDING ASSY
 3732669 L.H.
 3732670 R.H.



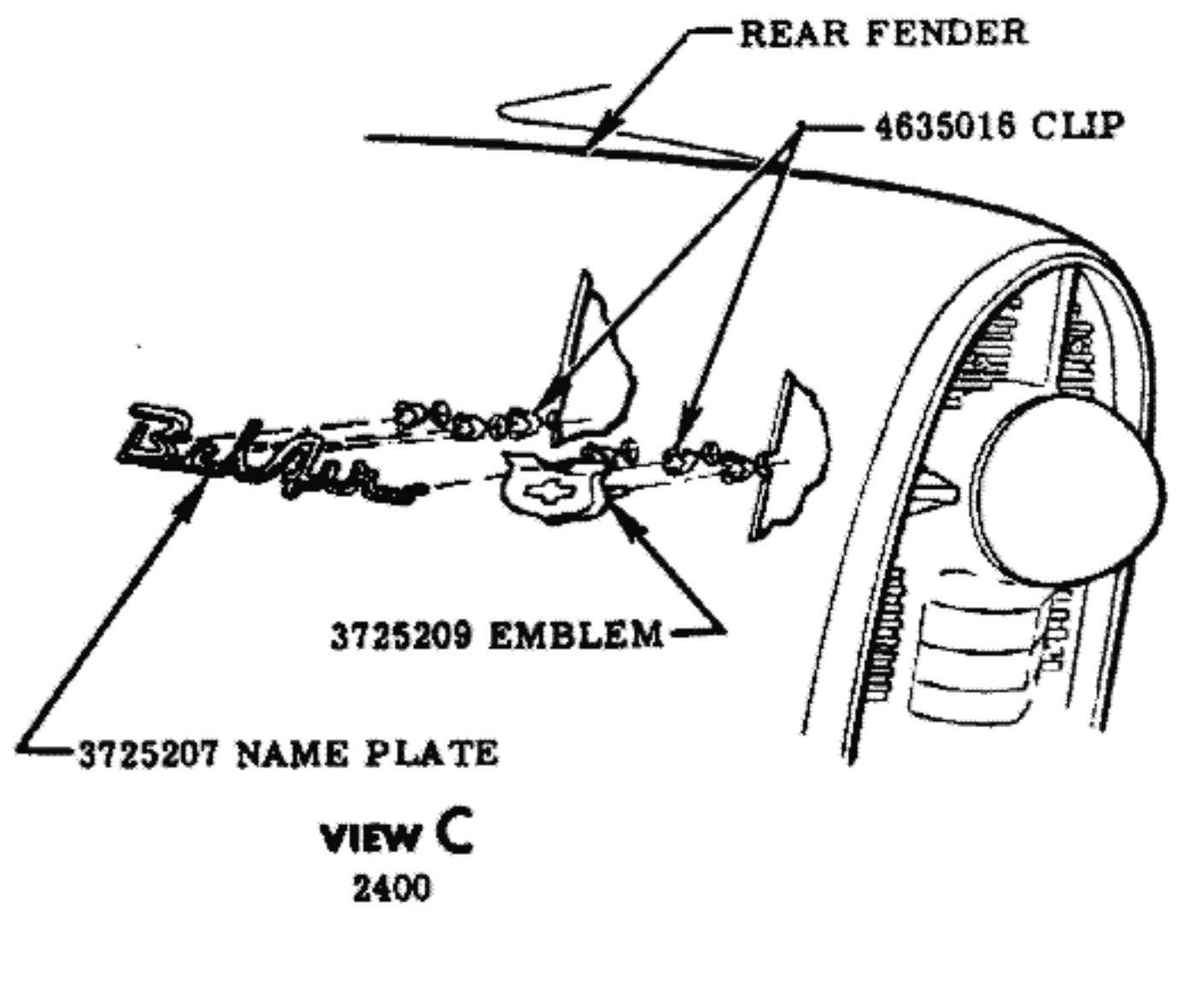
MODELS
 2400

BODY MOULDING

					NAME PASSENGER CAR INSTRUCTION MANUAL				
					REF.	DRAWN	CHECKED	SECT.	SHEET
2-11-57		WAS 25-35 LBS. IN.	7935	F			F	1	14.01
11-5-56		RELEASED	5170		DATE	PART No.			
DATE	SYM.	REVISION RECORD	AUTH.	DR.	CK.	10-4-56	3736500		



VIEW B
1500-2100

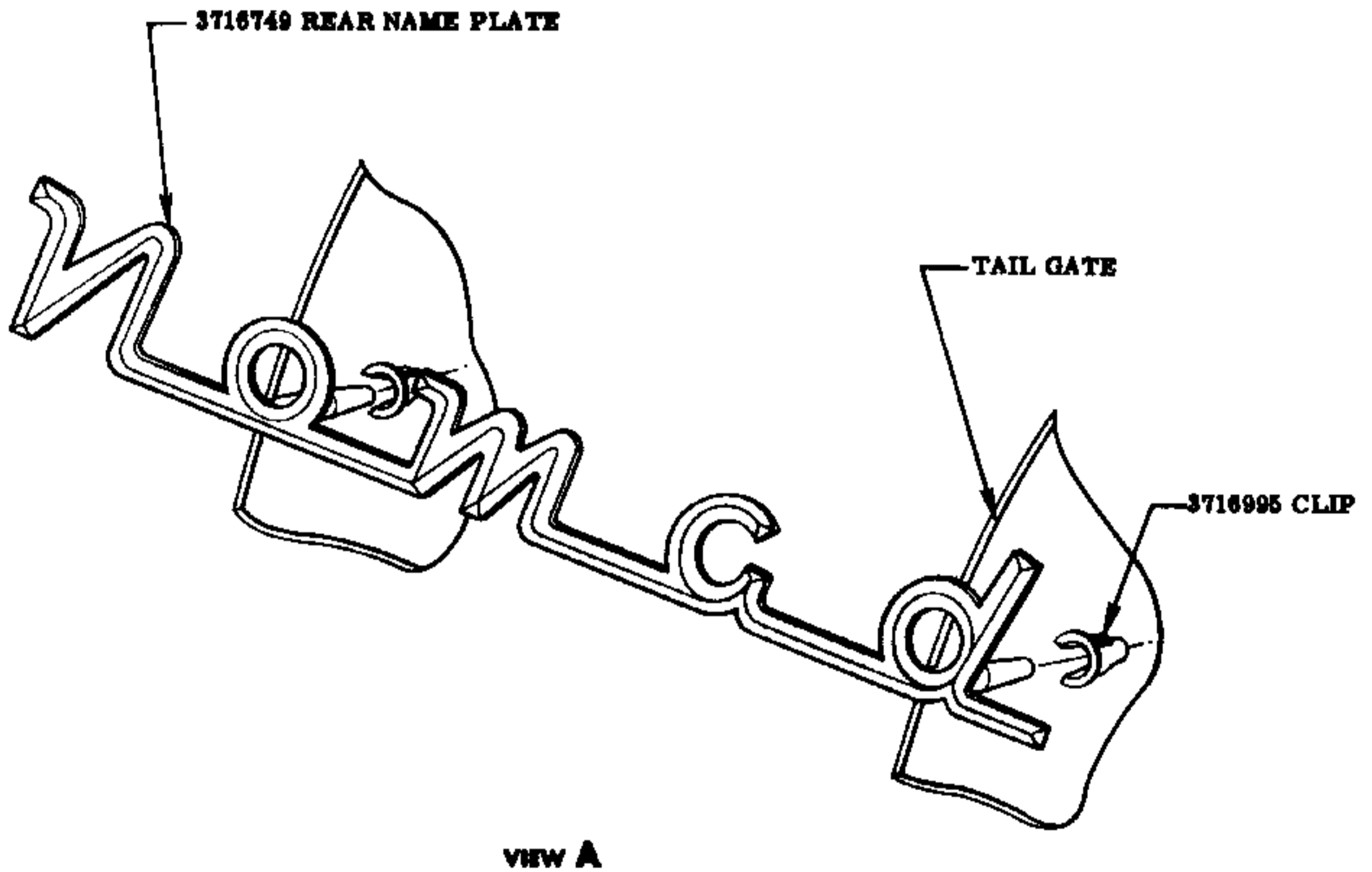
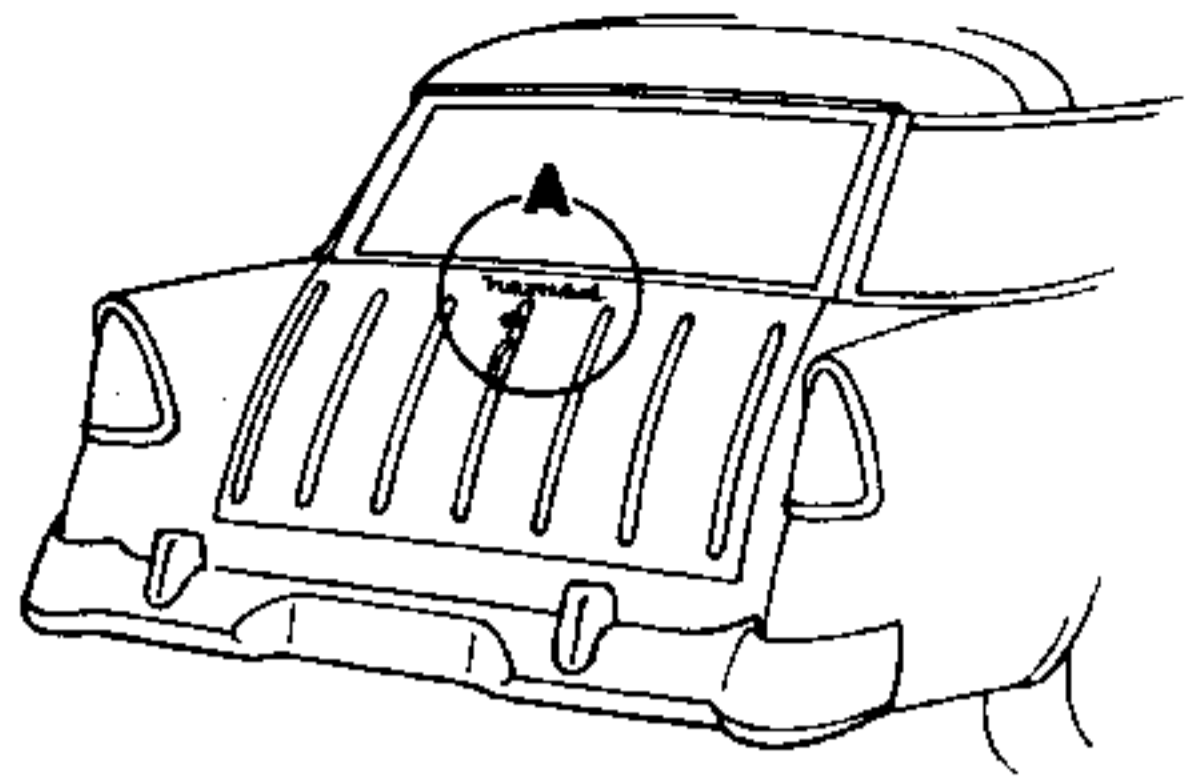


VIEW C
2400

MODELS
ALL

NAME PLATE & EMBLEM INSTRUCTION

					PASSENGER CAR INSTRUCTION MANUAL					
DATE	SYM.	REVISION RECORD	AUTH.	DR.	CK.	REF.	DRAWN	CHECKED	SECT.	SHEET
	3	VIEW D ADDED	8015		F					
	2	VIEW A REVISED						F		
11-2-55	1	WAS 3705469	3637			DATE	PART No.		1	15.00
						7-25-55	3728600			

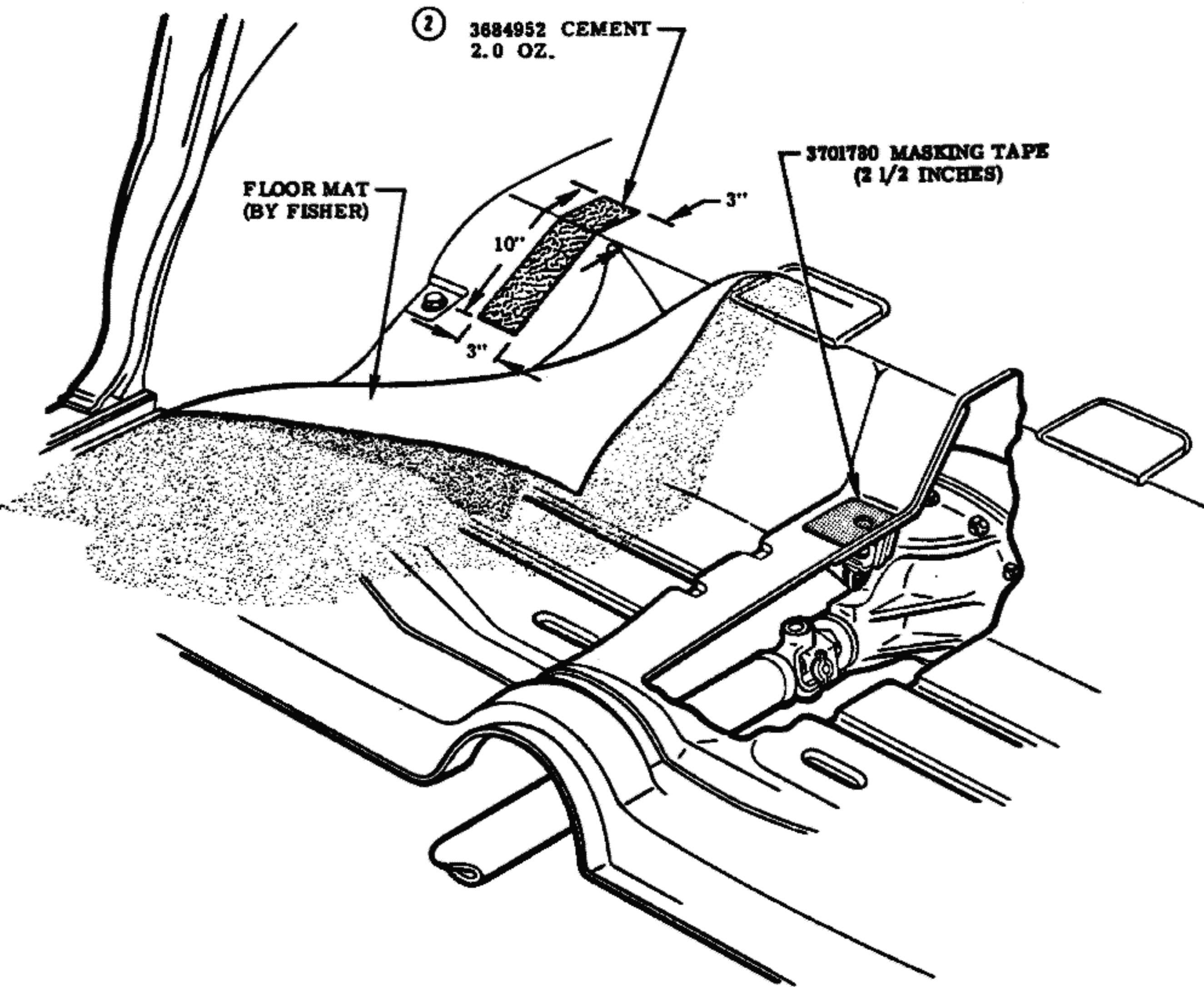


VIEW A

REAR EMBLEM INSTRUCTION

MODELS
2429

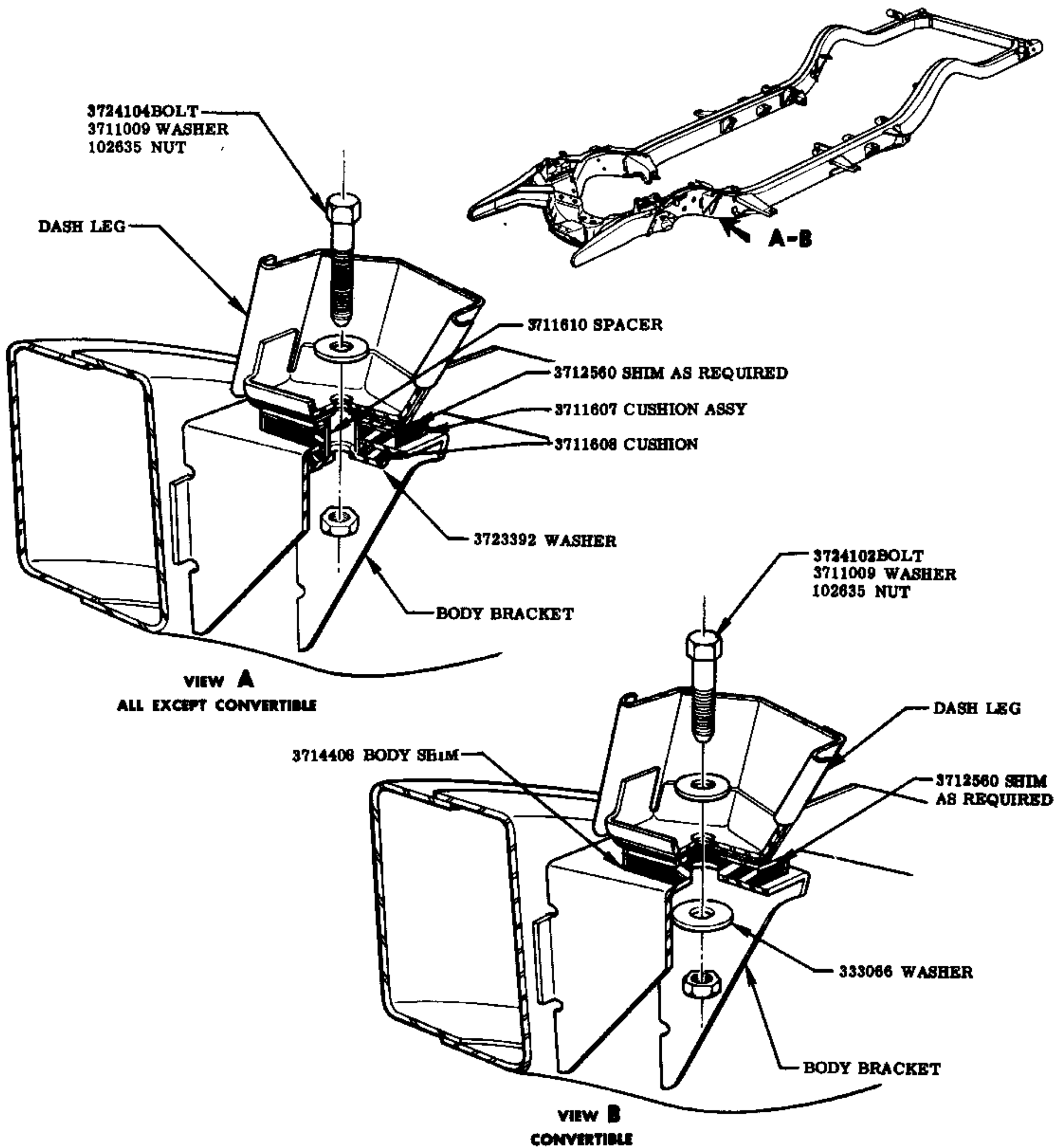
						NAME	PASSENGER CAR INSTRUCTION MANUAL			
						REF.	DRAWN	CHECKED	SECT.	SHEET
								F	1	16.00
DATE	SYM.	REVISION RECORD	AUTH.	DR.	CK.	DATE	PART No.			
						7-25-55	3726600			



③ **ACCESS HOLE MASKING & FLOOR MAT
INSTALLATION INSTRUCTION**

MODELS
9 PASSENGER STATION
WAGON

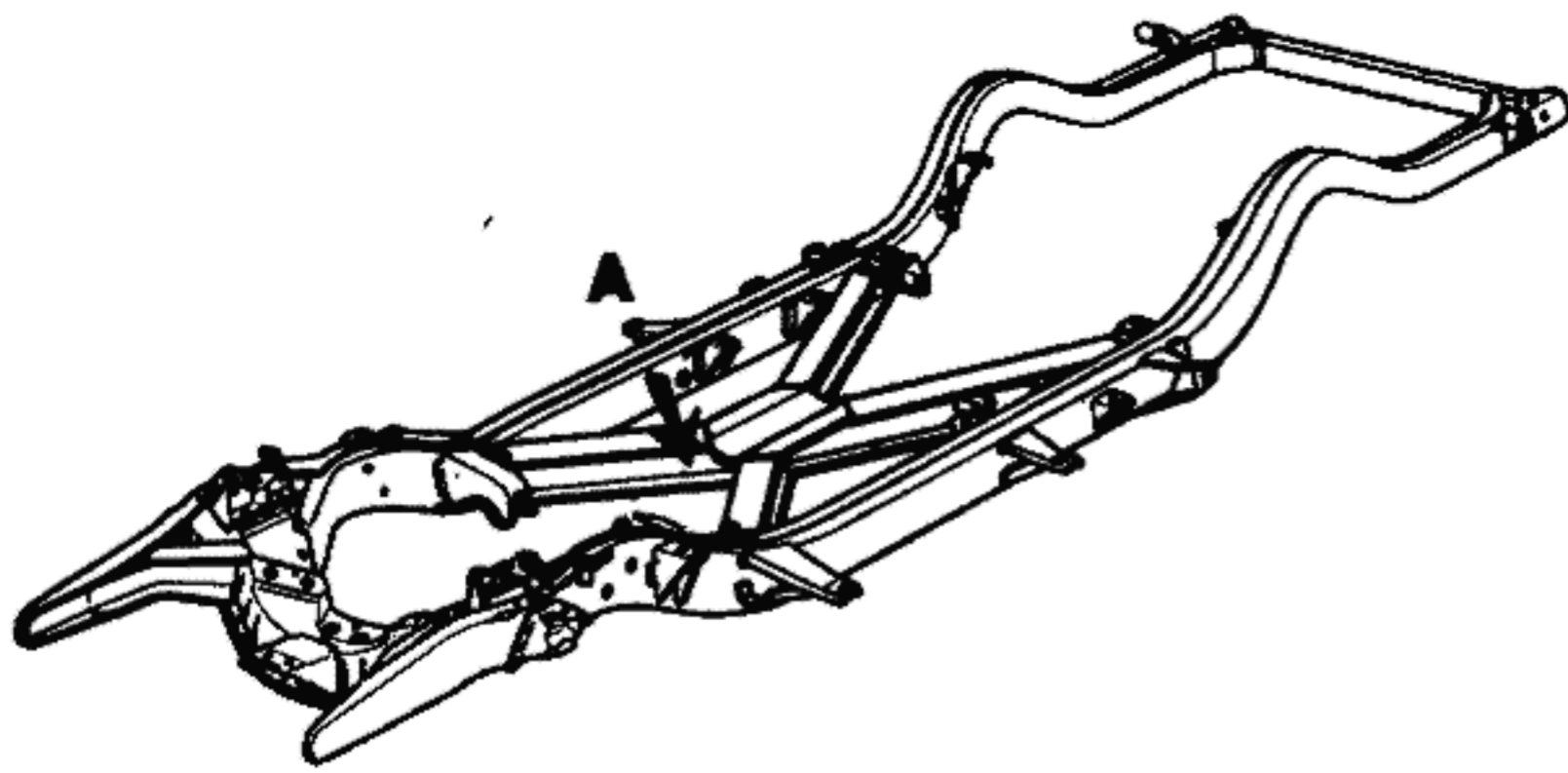
					NAME PASSENGER CAR INSTRUCTION MANUAL				
					REF.	DRAWN	CHECKED	SECT.	SHEET
	3	TITLE REVISED		F			F	1	17.00
1-16-56	2	PART ADDED	8092						
11-31-55	1	VIEW REVISED		F	DATE	PART No.			
DATE	SYM.	REVISION RECORD	AUTH.	DR.	CK.	7-25-55	3726600		



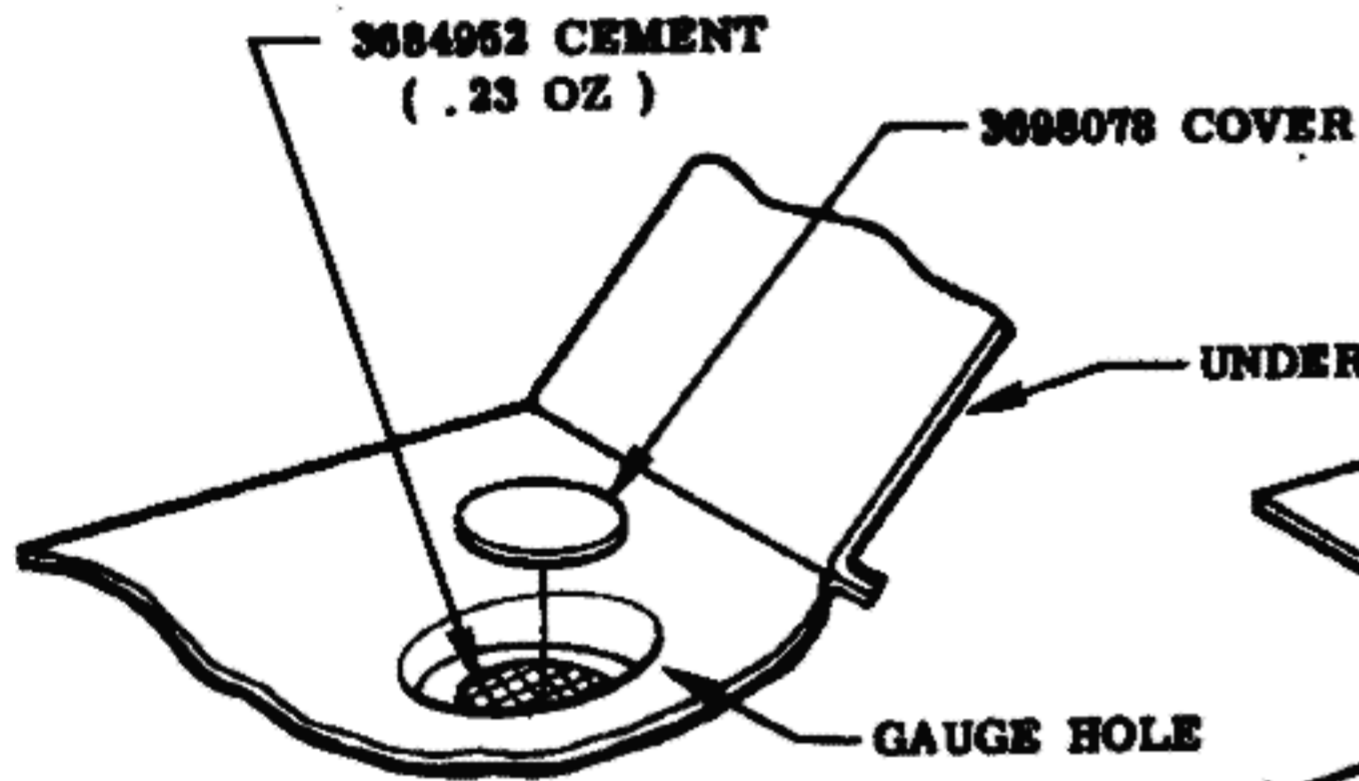
NO.1 BODY MOUNTING INSTRUCTION

MODELS
ALL

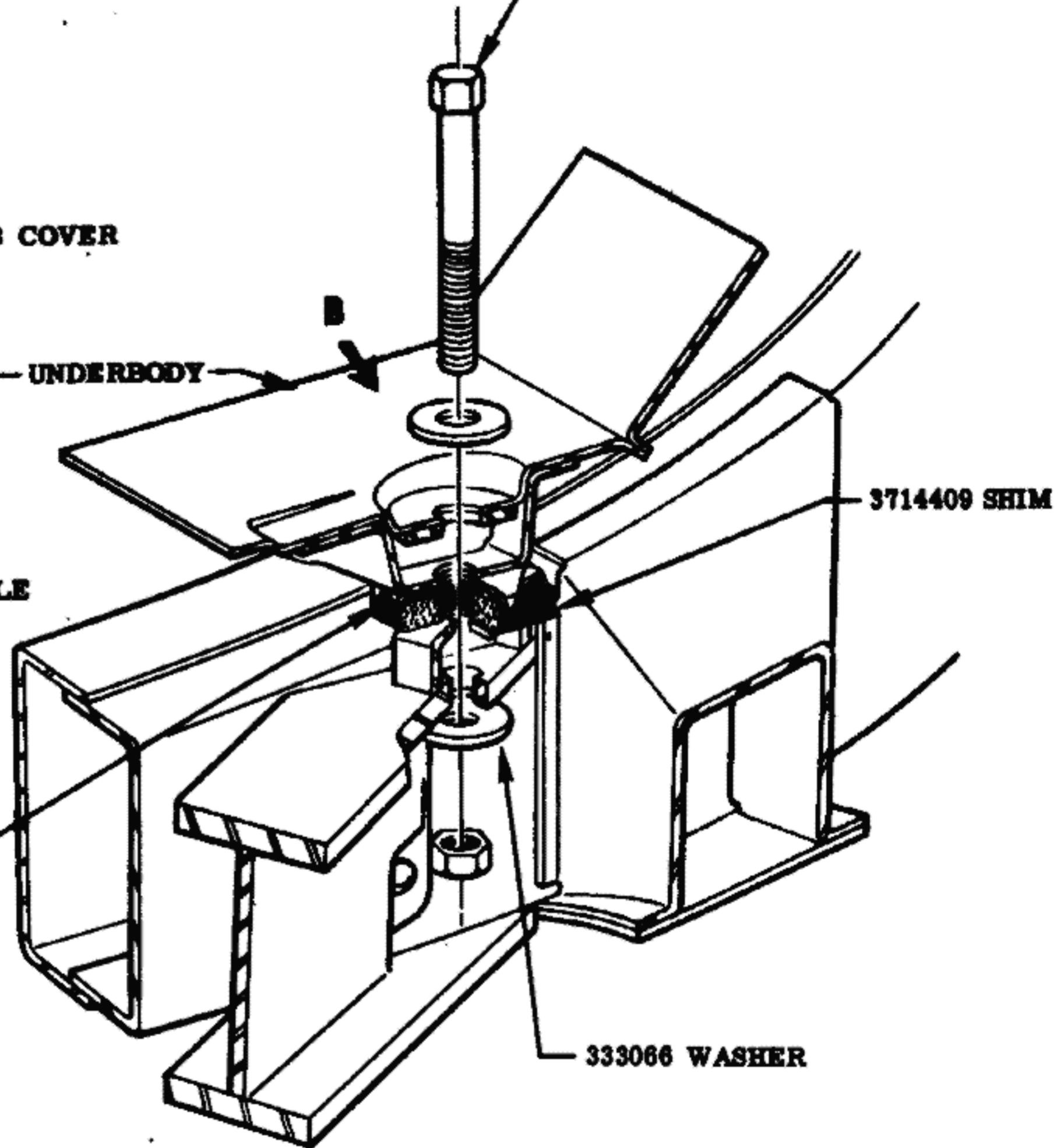
						NAME	PASSENGER CAR INSTRUCTION MANUAL			
						REF.	DRAWN	CHECKED	SECT.	SHEET
								F	1	18.00
DATE	SYM.	REVISION RECORD	AUTH.	DR.	CK.	DATE	PART No.			
						7-26-55	3726600			



3711623 BOLT
333066 WASHER
102635 NUT



VIEW B
ALL EXCEPT CONVERTIBLE



CROSS MEMBER
VIEW A
CONVERTIBLE

3712559 SHIM
AS REQUIRED

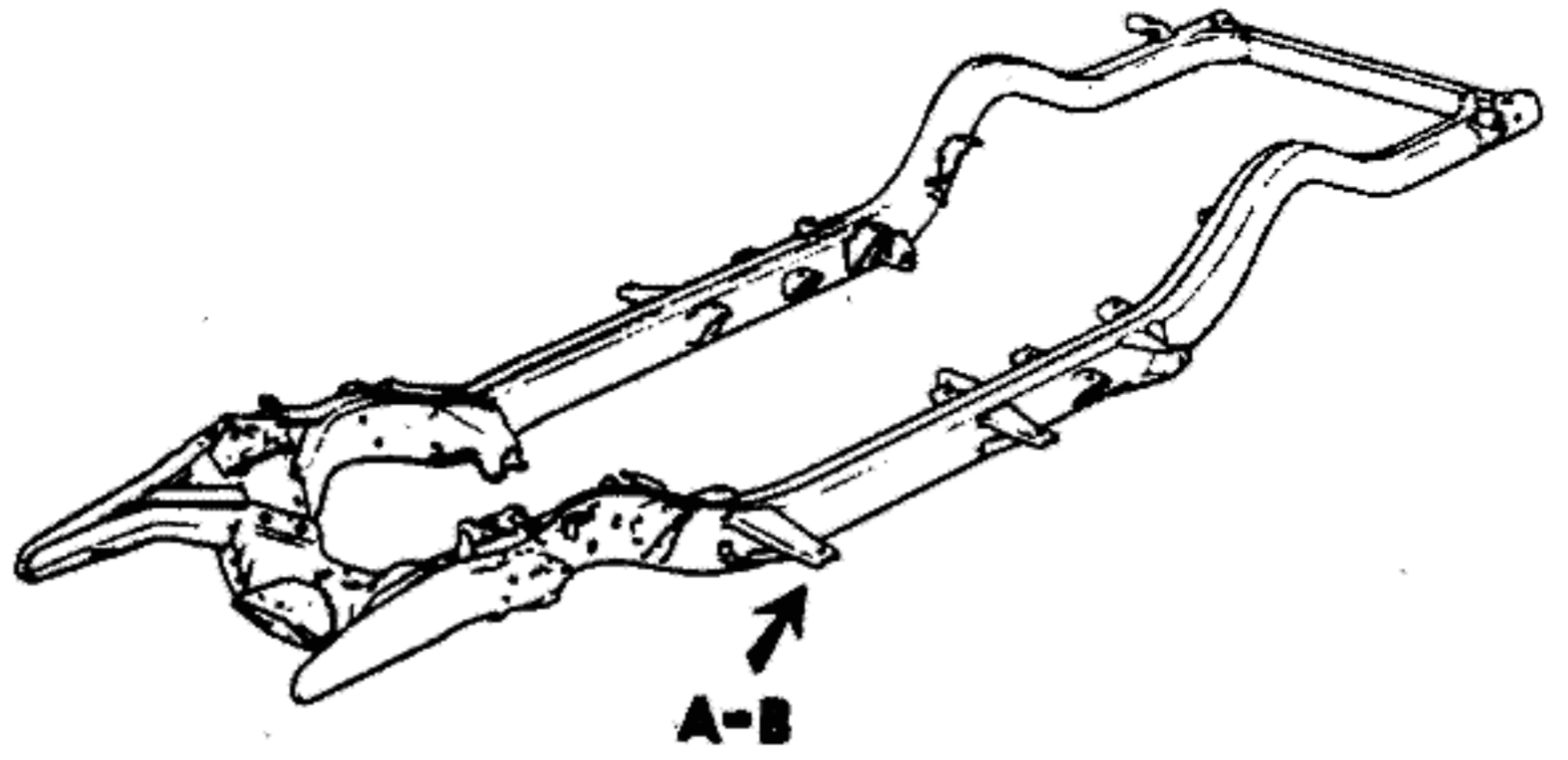
FIRST SHIM TO BE ROTATED
UNTIL TABS CONTACT CORNERS
AS SHOWN. ADDITIONAL SHIMS
MUST BE STAGGERED AS SHOWN.

333066 WASHER

NO. 2 INNER BODY MOUNTING & GAUGE HOLE INSTRUCTION

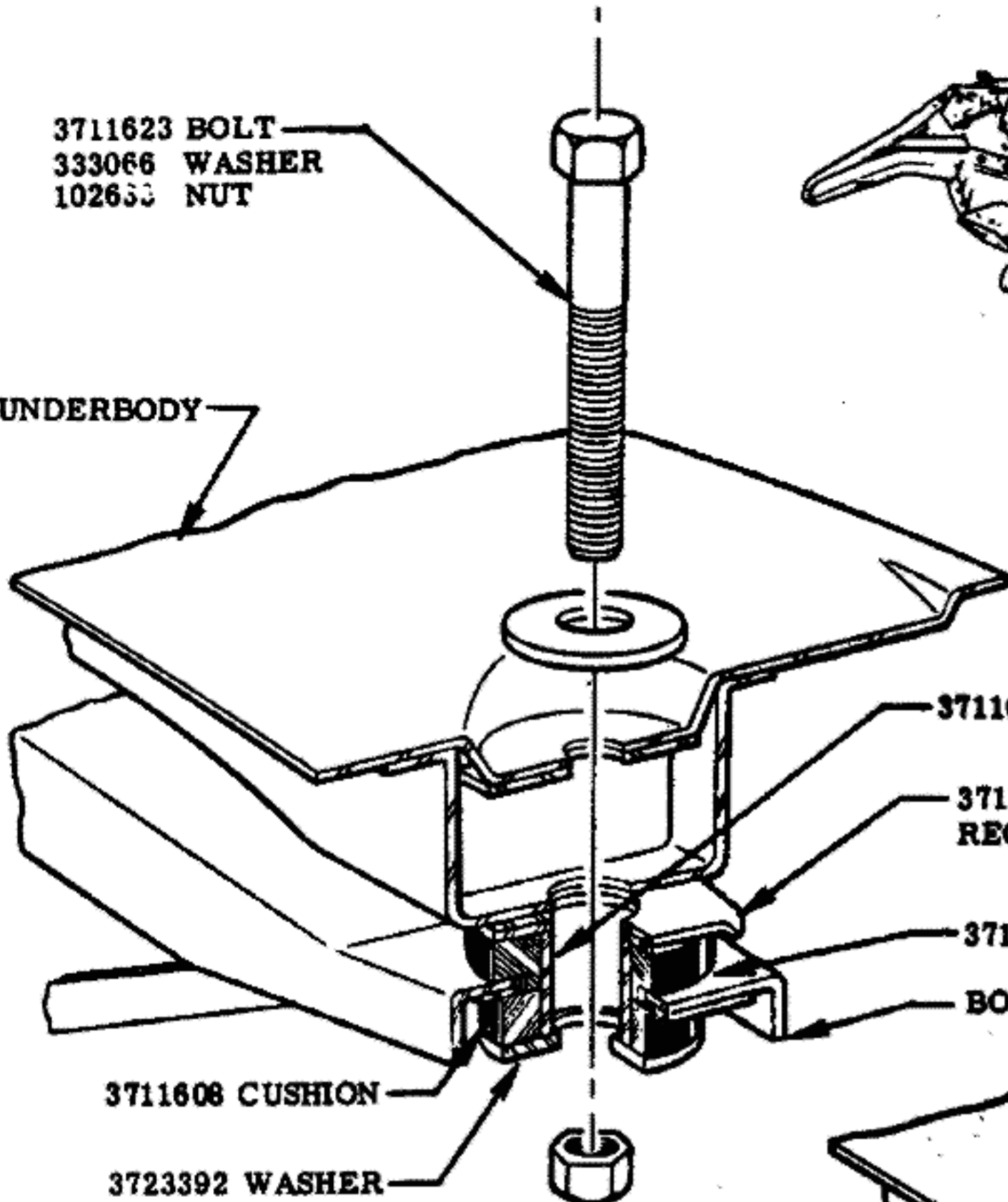
MODELS
ALL

						NAME PASSENGER CAR INSTRUCTION MANUAL				
						REF.	DRAWN	CHECKED F	SECT.	SHEET
						DATE 7-25-55	PART No. 3726600		1	19.00
DATE	SYM.	REVISION RECORD	AUTH.	DR.	CK.					



3711623 BOLT
333066 WASHER
102633 NUT

UNDERBODY



3711610 SPACER

3712559 SHIM AS
REQUIRED

3711614 CUSHION ASSY

BODY BRACKET

3711608 CUSHION

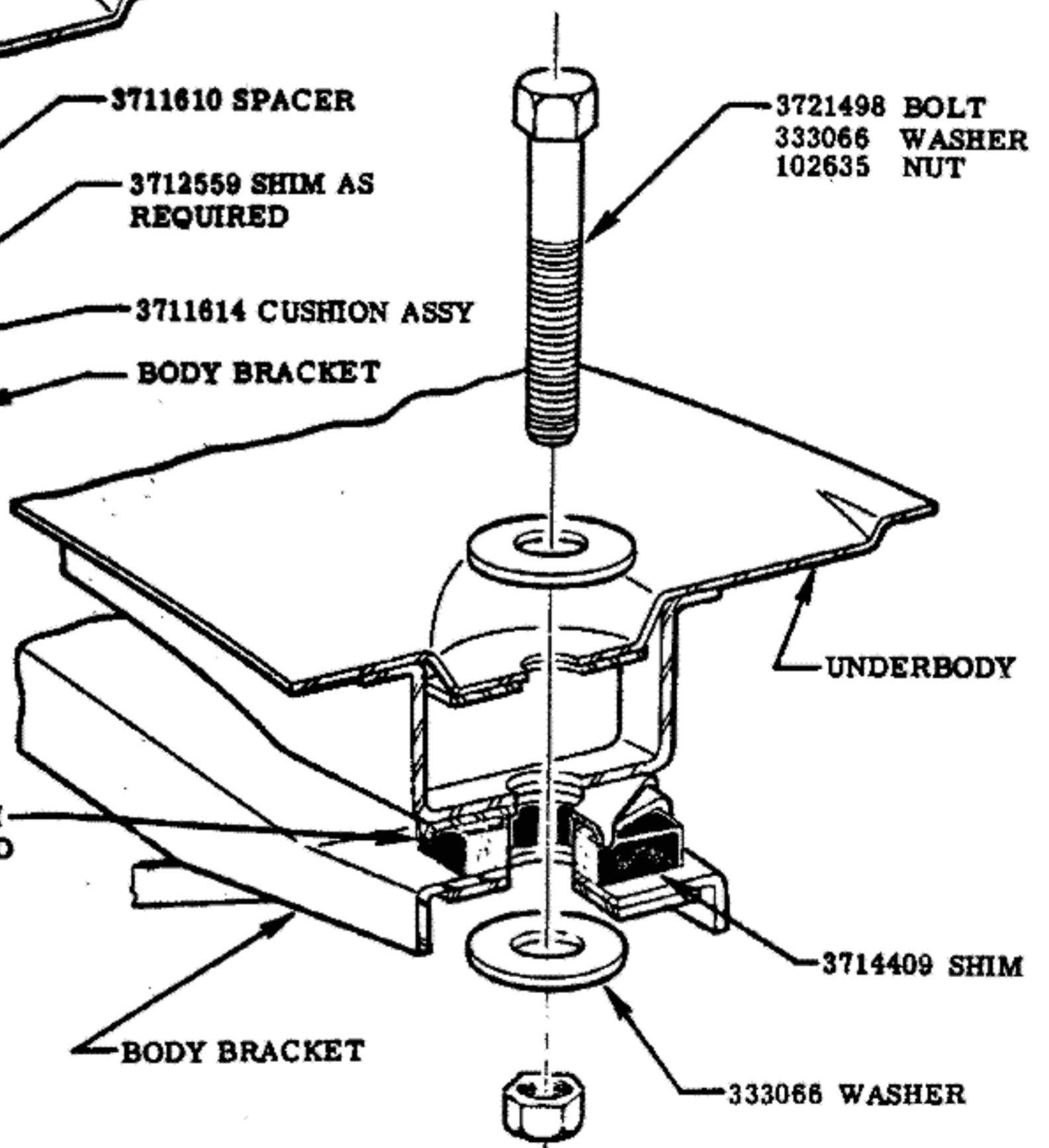
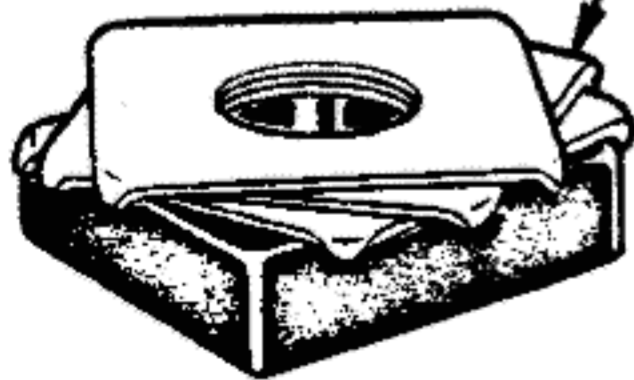
3723392 WASHER

VIEW A

ALL EXCEPT CONVERTIBLE

FIRST SHIM TO BE ROTATED
UNTIL TABS CONTACT CORNERS
AS SHOWN. ADDITIONAL SHIMS
MUST BE STAGGERED AS SHOWN.

3712559 SHIM
AS REQUIRED



3721498 BOLT
333066 WASHER
102635 NUT

UNDERBODY

3714409 SHIM

BODY BRACKET

333066 WASHER

VIEW B

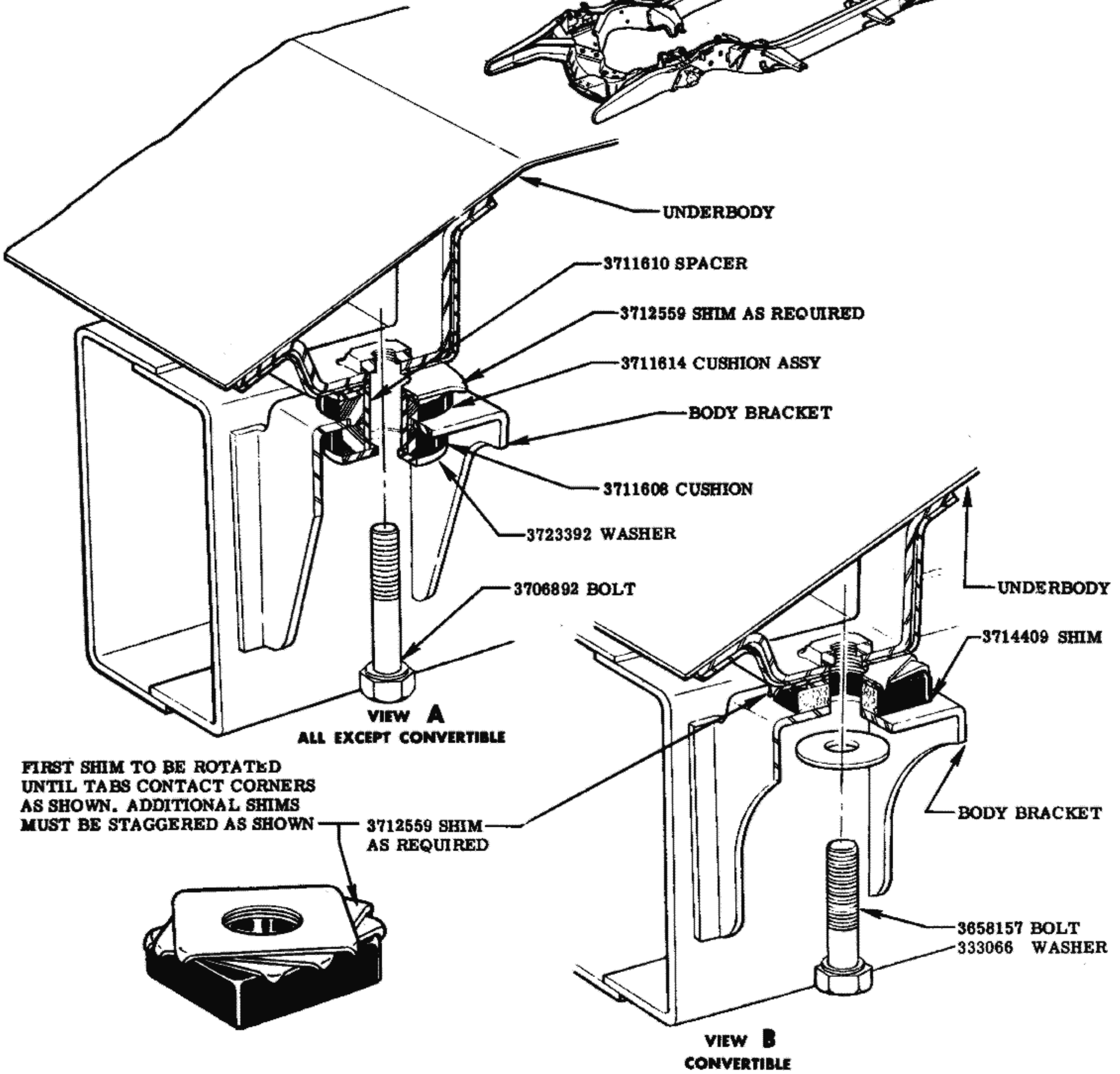
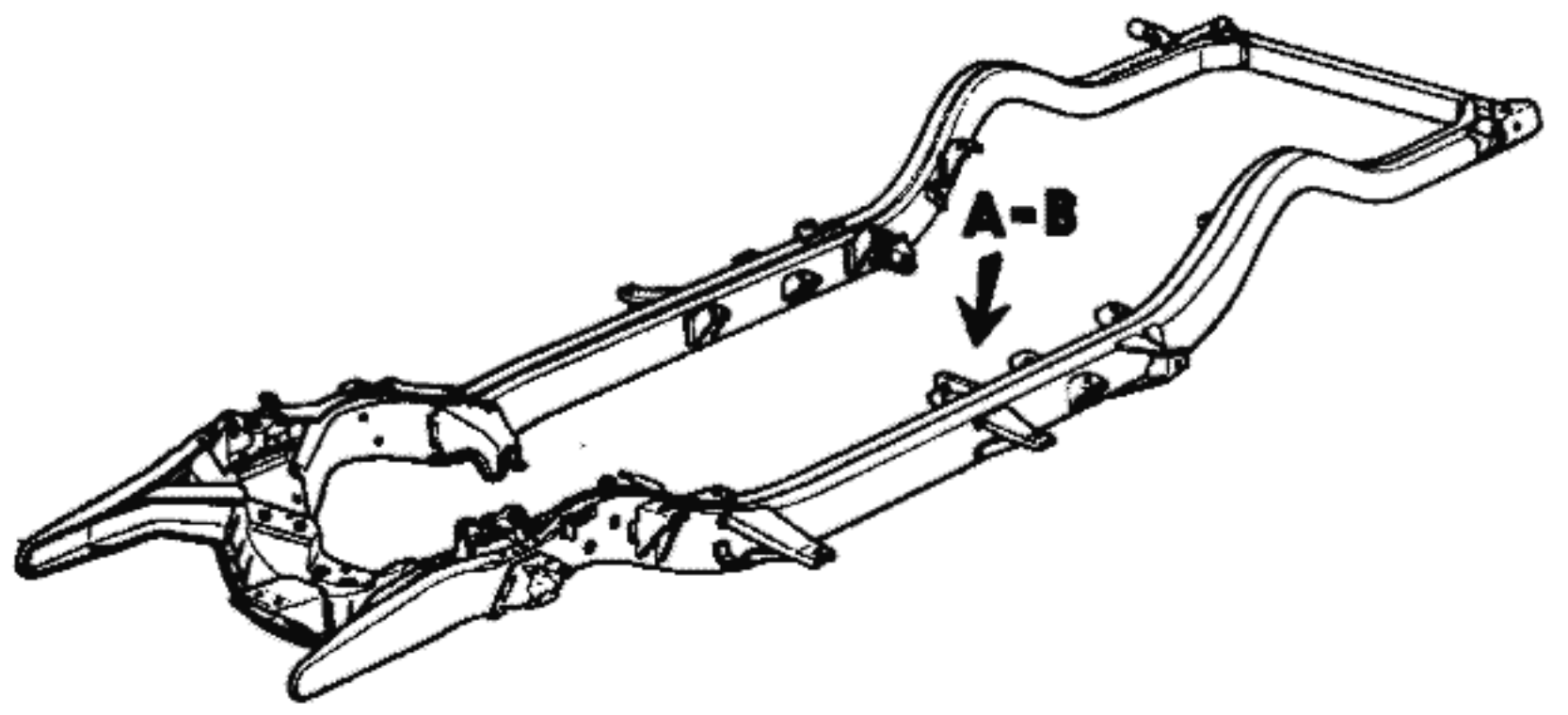
CONVERTIBLE

① NO. 2 OUTER BODY MOUNTING INSTRUCTION

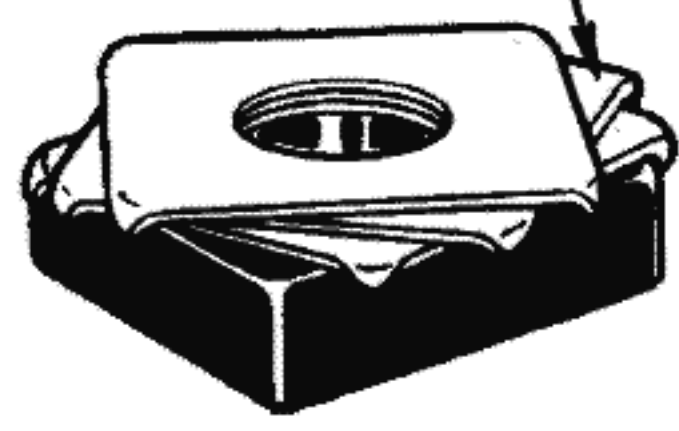
MODELS

ALL

					NAME PASSENGER CAR INSTRUCTION MANUAL				
					REF.	DRAWN	CHECKED F	SECT.	SHEET
10-24-55	1	"OUTER" ADDED		F	DATE	PART No.	1	20.00	
DATE	SYM.	REVISION RECORD	AUTH.	DR.	CK.	7-25-55			3726600



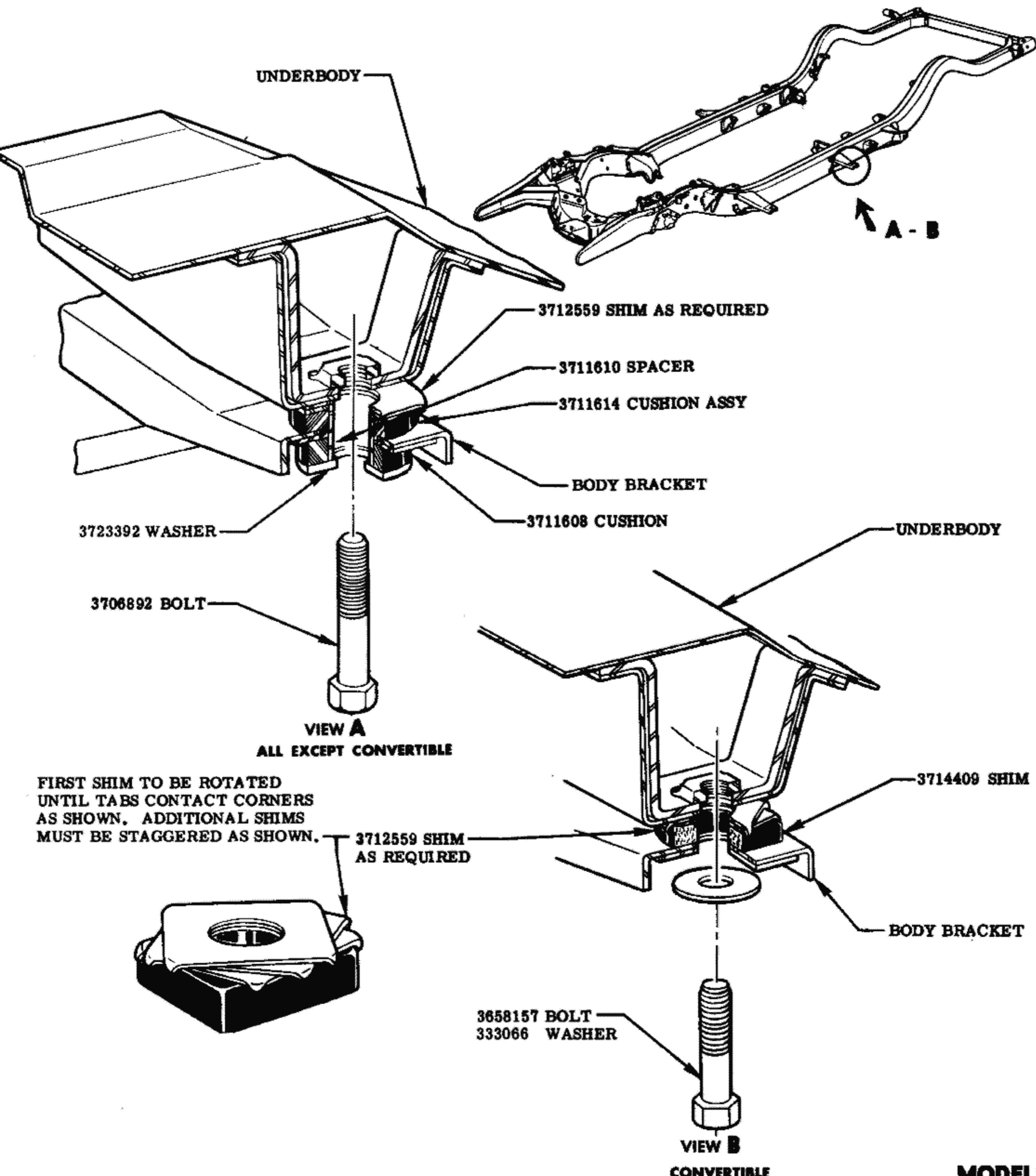
FIRST SHIM TO BE ROTATED UNTIL TABS CONTACT CORNERS AS SHOWN. ADDITIONAL SHIMS MUST BE STAGGERED AS SHOWN



NO. 3 INNER BODY MOUNTING INSTRUCTION

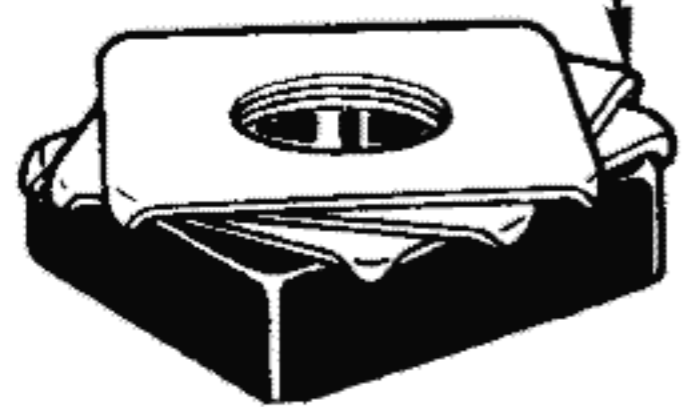
MODELS
ALL

					NAME PASSENGER CAR INSTRUCTION MANUAL				
					REF.	DRAWN	CHECKED	SECT.	SHEET
							F	1	21.00
					DATE	PART No.			
DATE	SYM.	REVISION RECORD	AUTH.	DR.	CK.	7-25-55	3726600		



VIEW A
ALL EXCEPT CONVERTIBLE

FIRST SHIM TO BE ROTATED UNTIL TABS CONTACT CORNERS AS SHOWN. ADDITIONAL SHIMS MUST BE STAGGERED AS SHOWN.

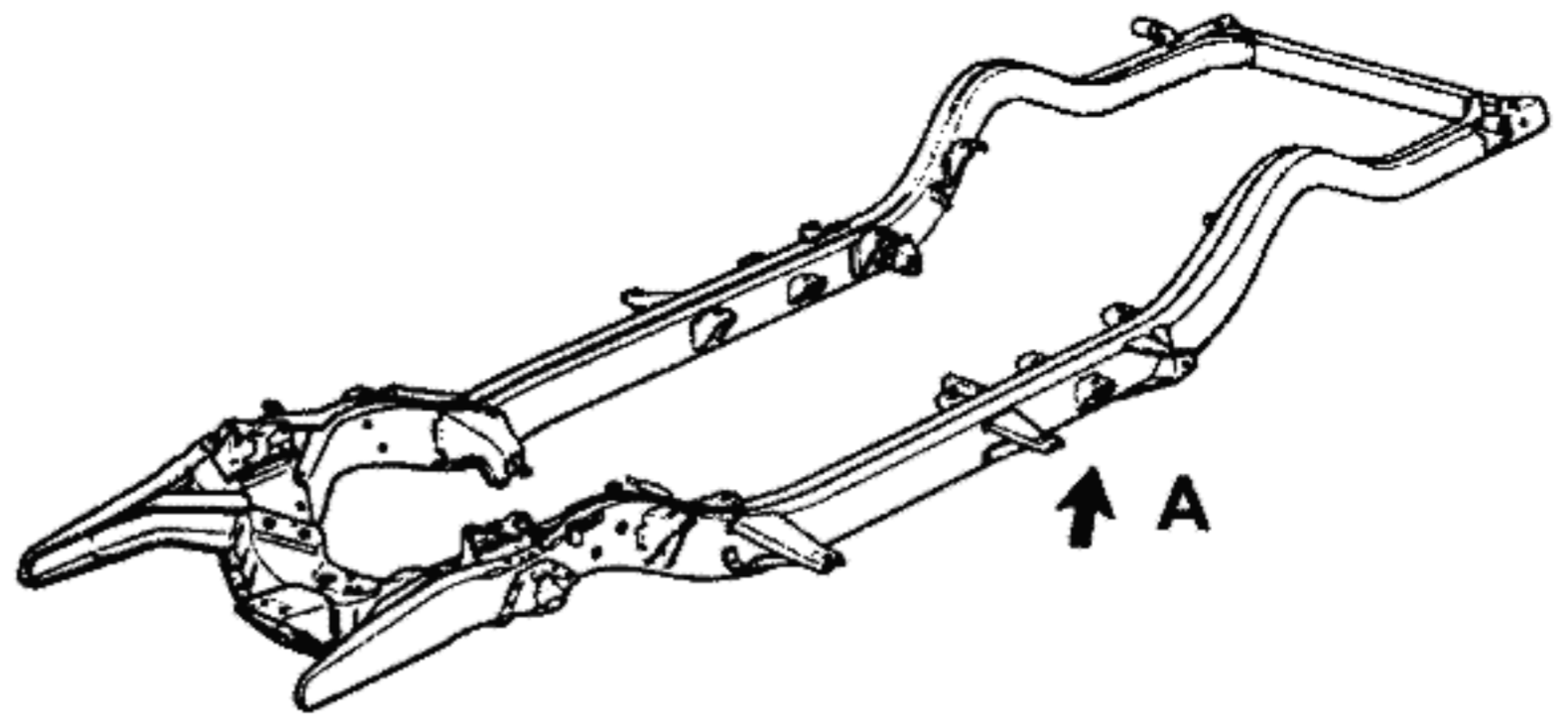


VIEW B
CONVERTIBLE

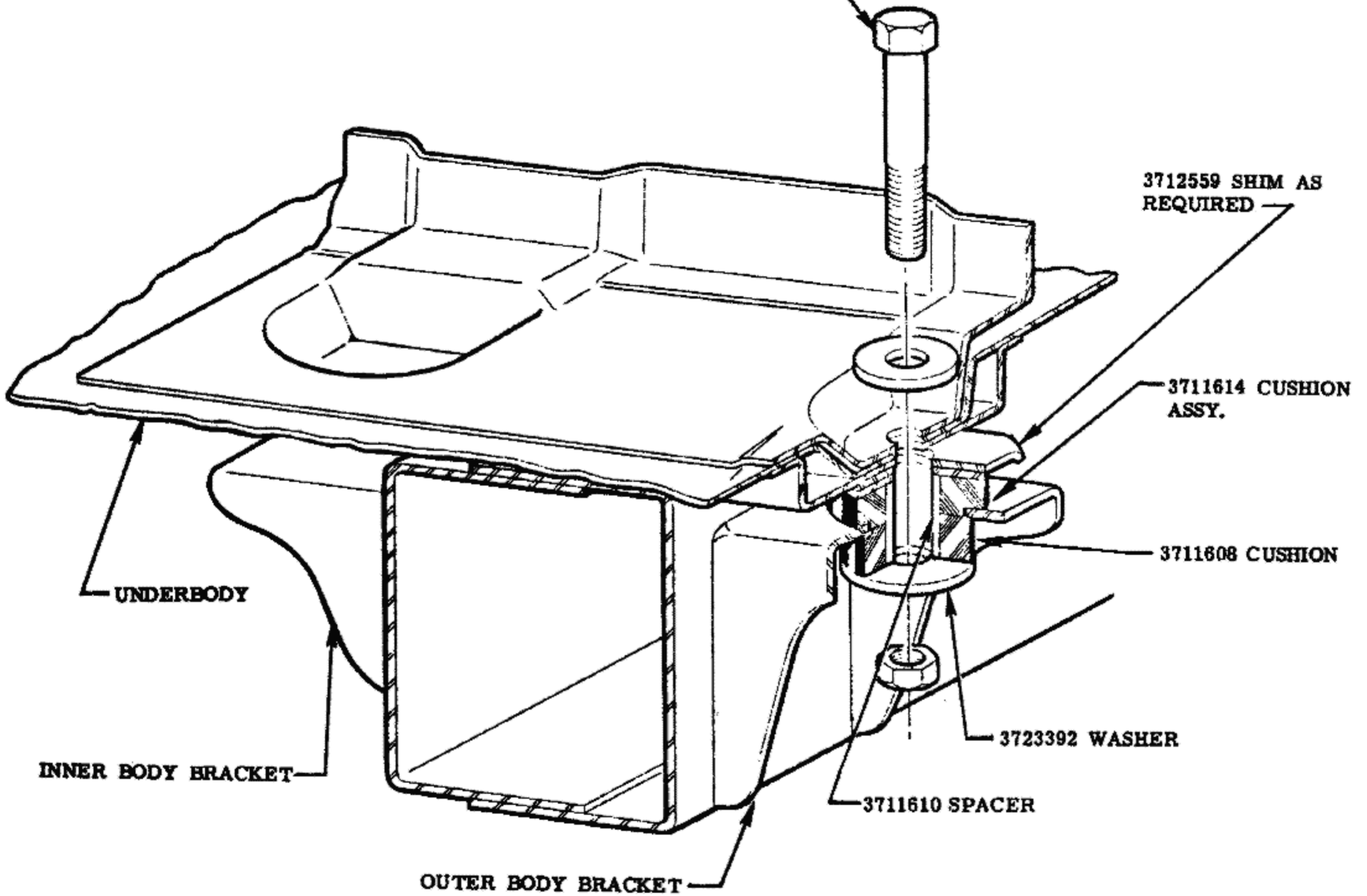
MODELS
ALL

NO. 3 OUTER BODY MOUNTING INSTRUCTION

					NAME PASSENGER CAR INSTRUCTION MANUAL				
					REF.	DRAWN	CHECKED	SECT.	SHEET
					DATE	PART No.		1	22.00
DATE	SYM.	REVISION RECORD	AUTH.	DR.	CK.	7-25-55	3726600		



③ ② 3724104 BOLT
333086 WASHER
102835 NUT

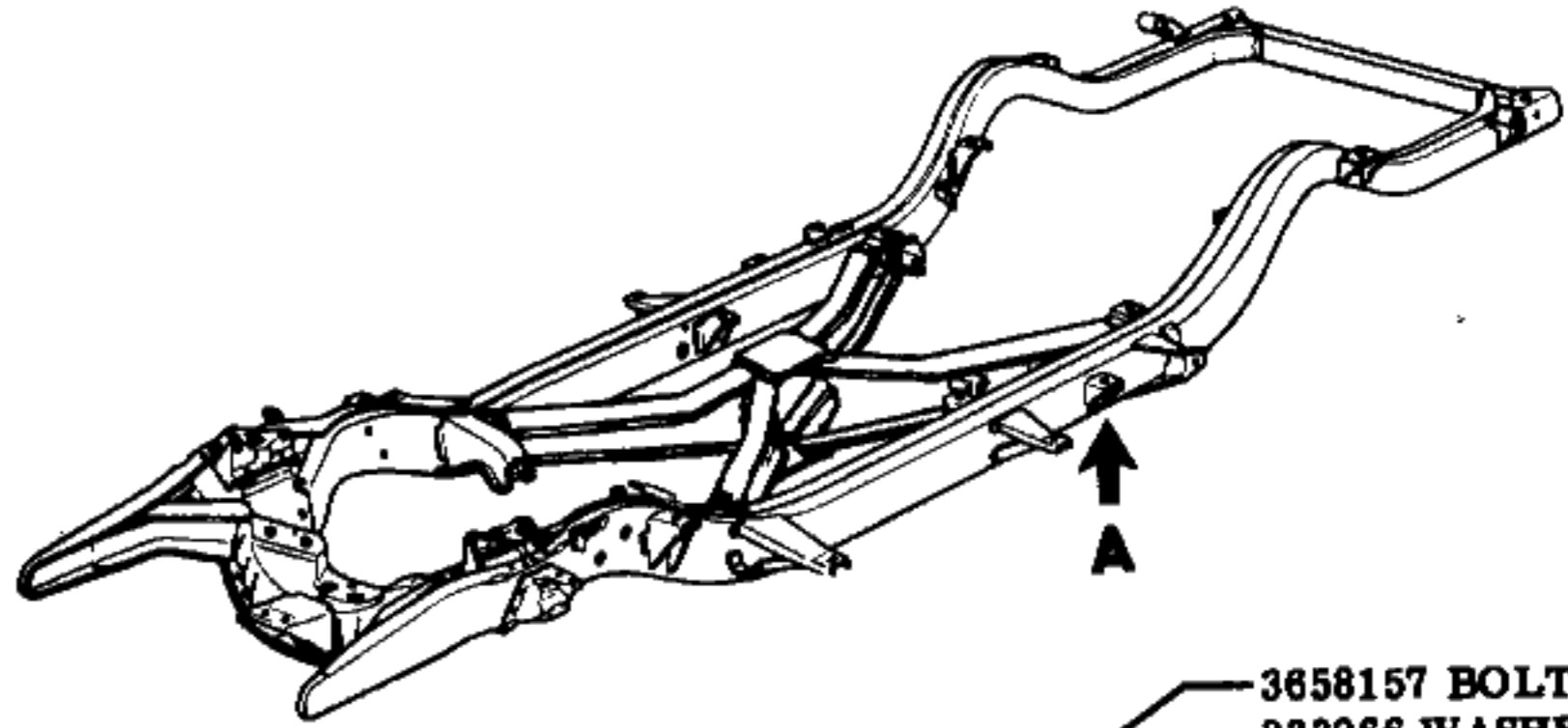


① VIEW A

NO. 3-A BODY MOUNTING INSTRUCTION

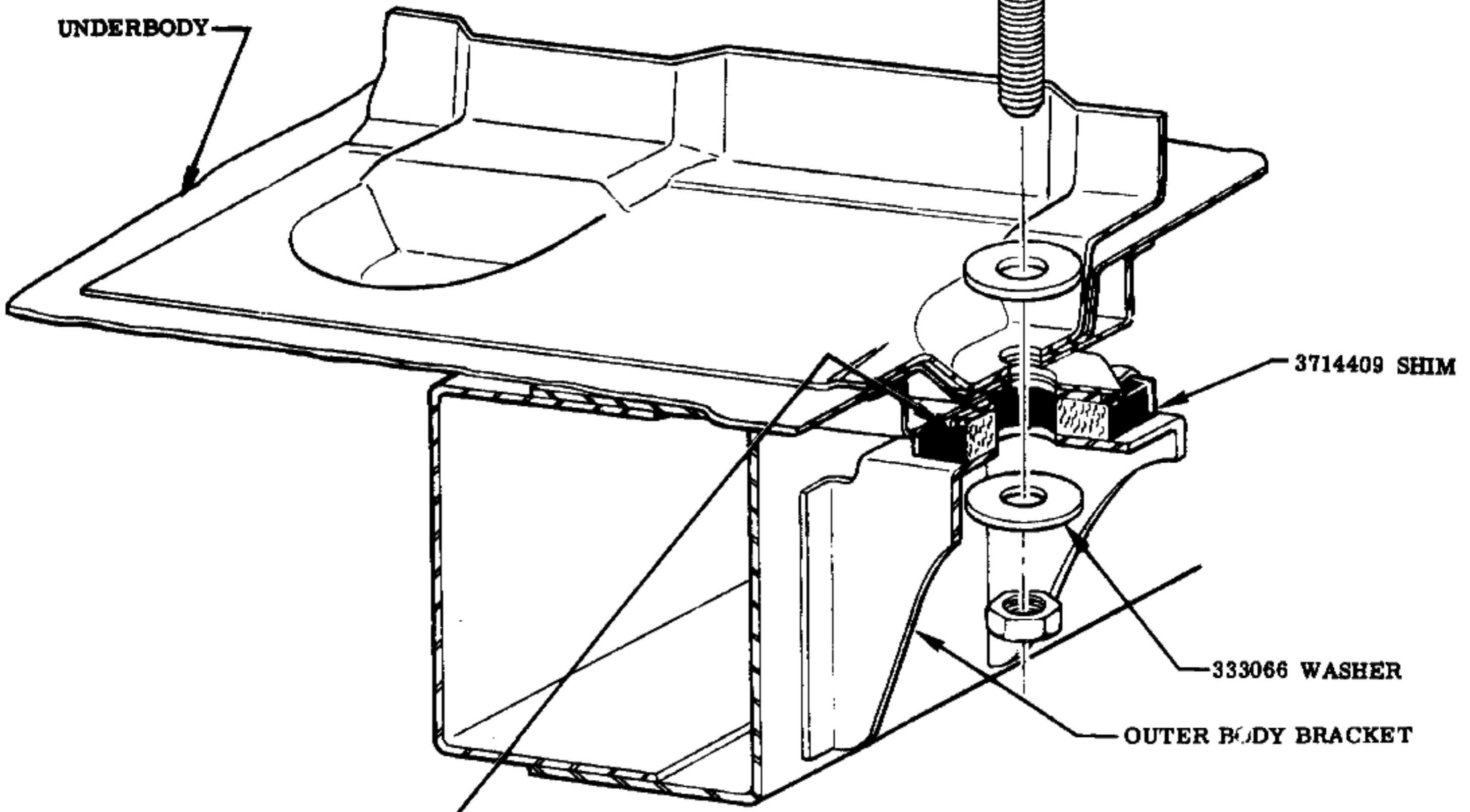
MODELS
SPORT COUPE

					NAME PASSENGER CAR INSTRUCTION MANUAL					
DATE	SYM.	REVISION RECORD	AUTH.	DR.	CK.	REF.	DRAWN	CHECKED	SECT.	SHEET
12-5-55	3	WAS 3721498	5453		F					
	2	WAS 3859084	6272		F			F		
11-7-55	1	NOTE ADDED				DATE	PART No.		1	23.00
						7-25-55	3726600			

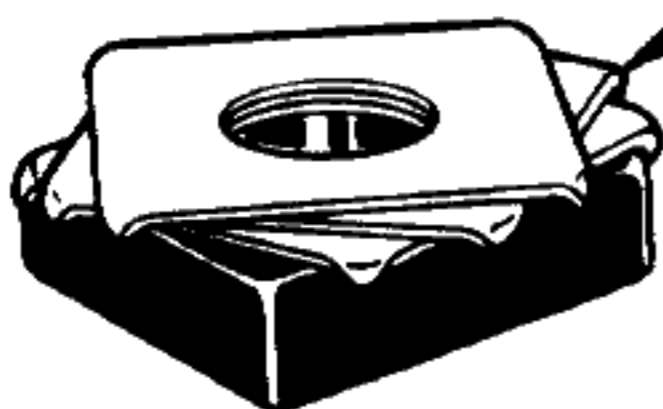


3658157 BOLT
333066 WASHER
102635 NUT

UNDERBODY



FIRST SHIM TO BE ROTATED UNTIL TABS CONTACT CORNERS AS SHOWN. ADDITIONAL SHIMS MUST BE STAGGERED AS SHOWN.



3712559 SHIM
AS REQUIRED

3714409 SHIM

333066 WASHER

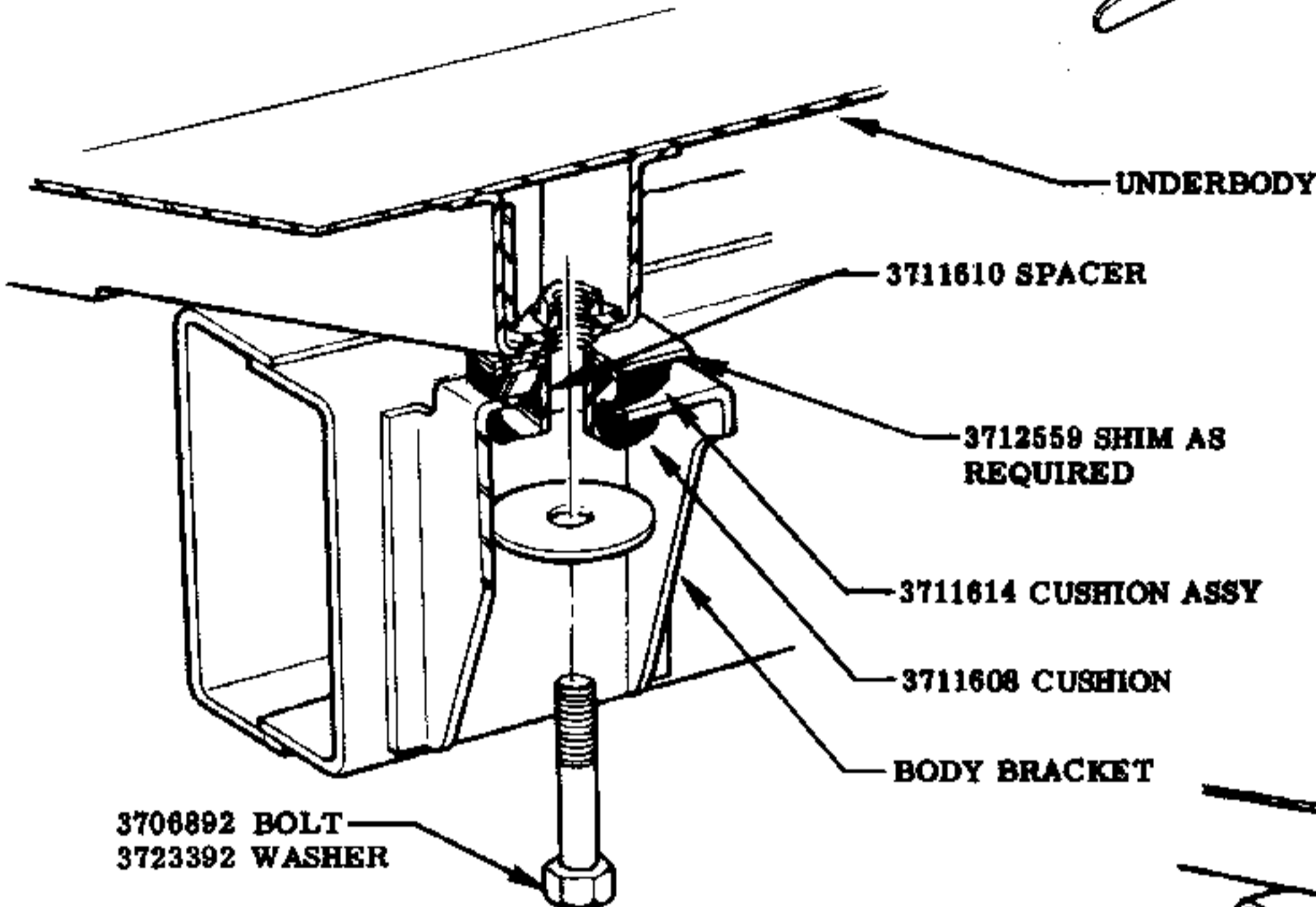
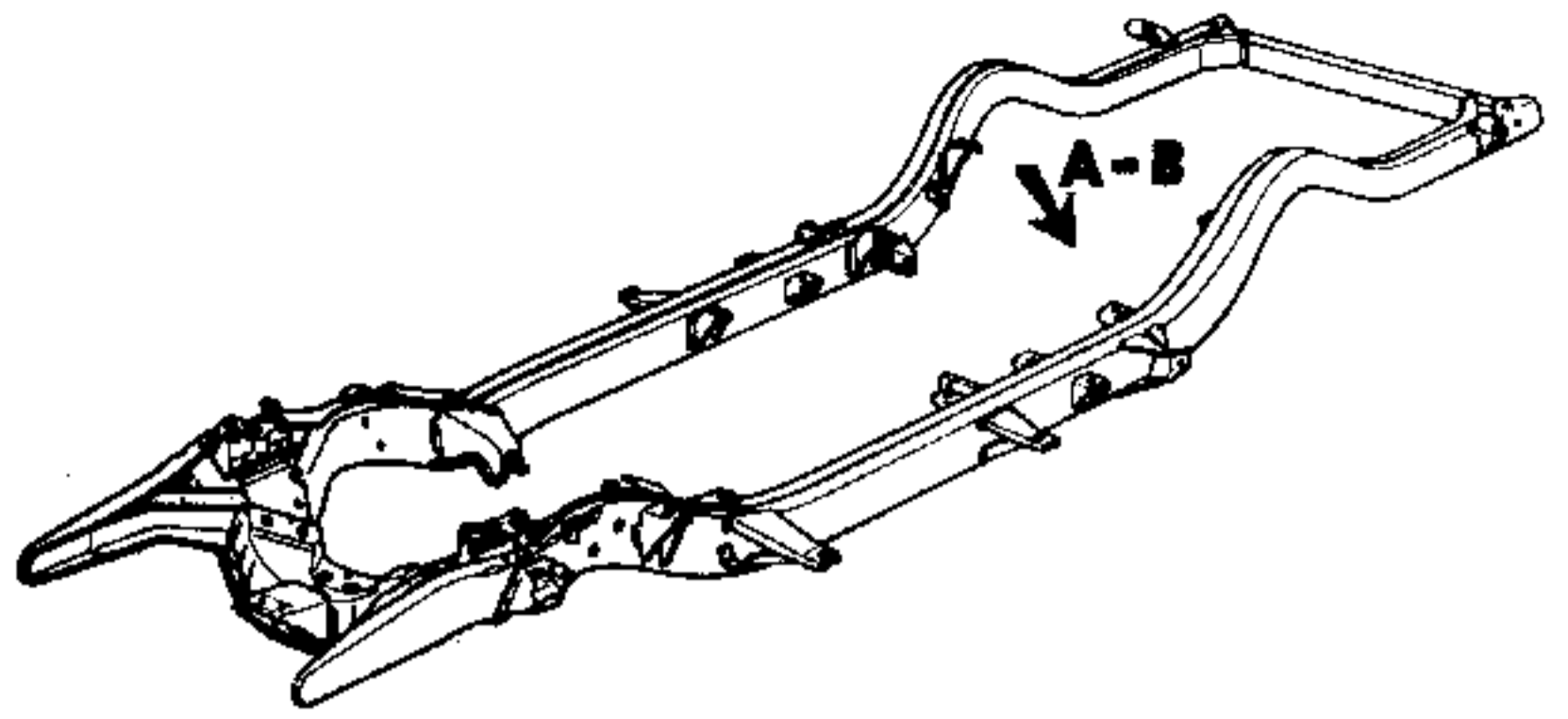
OUTER BODY BRACKET

VIEW A

NO. 3-A BODY MOUNTING INSTRUCTION

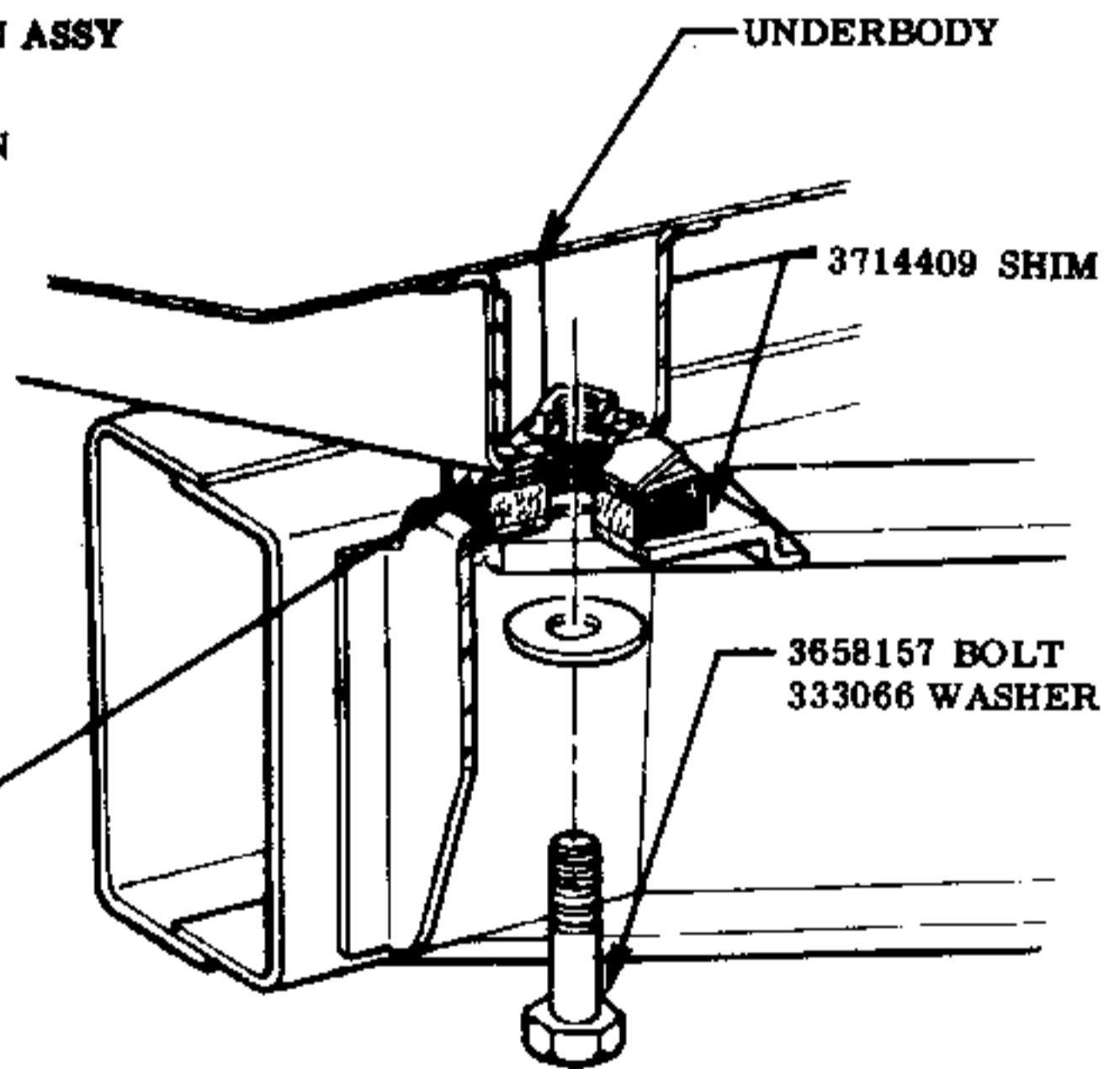
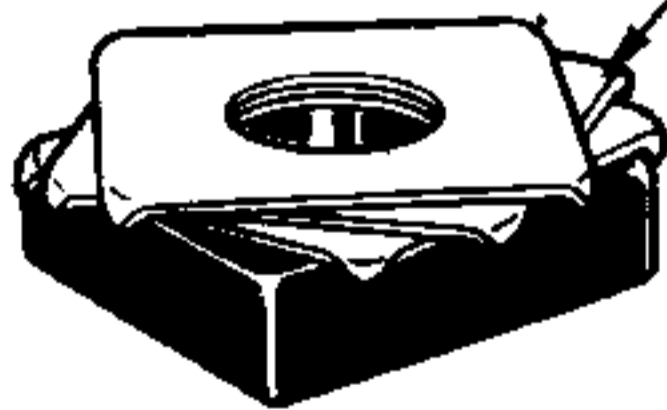
MODELS CONVERTIBLE

					NAME PASSENGER CAR INSTRUCTION MANUAL				
					REF.	DRAWN	CHECKED	SECT.	SHEET
							F	1	24.00
					DATE	PART No.			
DATE	SYM.	REVISION RECORD	AUTH.	DR.	CK.	7-25-55	3726600		



VIEW A
ALL EXCEPT CONVERTIBLE

FIRST SHIM TO BE ROTATED
UNTIL TABS CONTACT CORNERS
AS SHOWN. ADDITIONAL SHIMS
MUST BE STAGGERED AS SHOWN

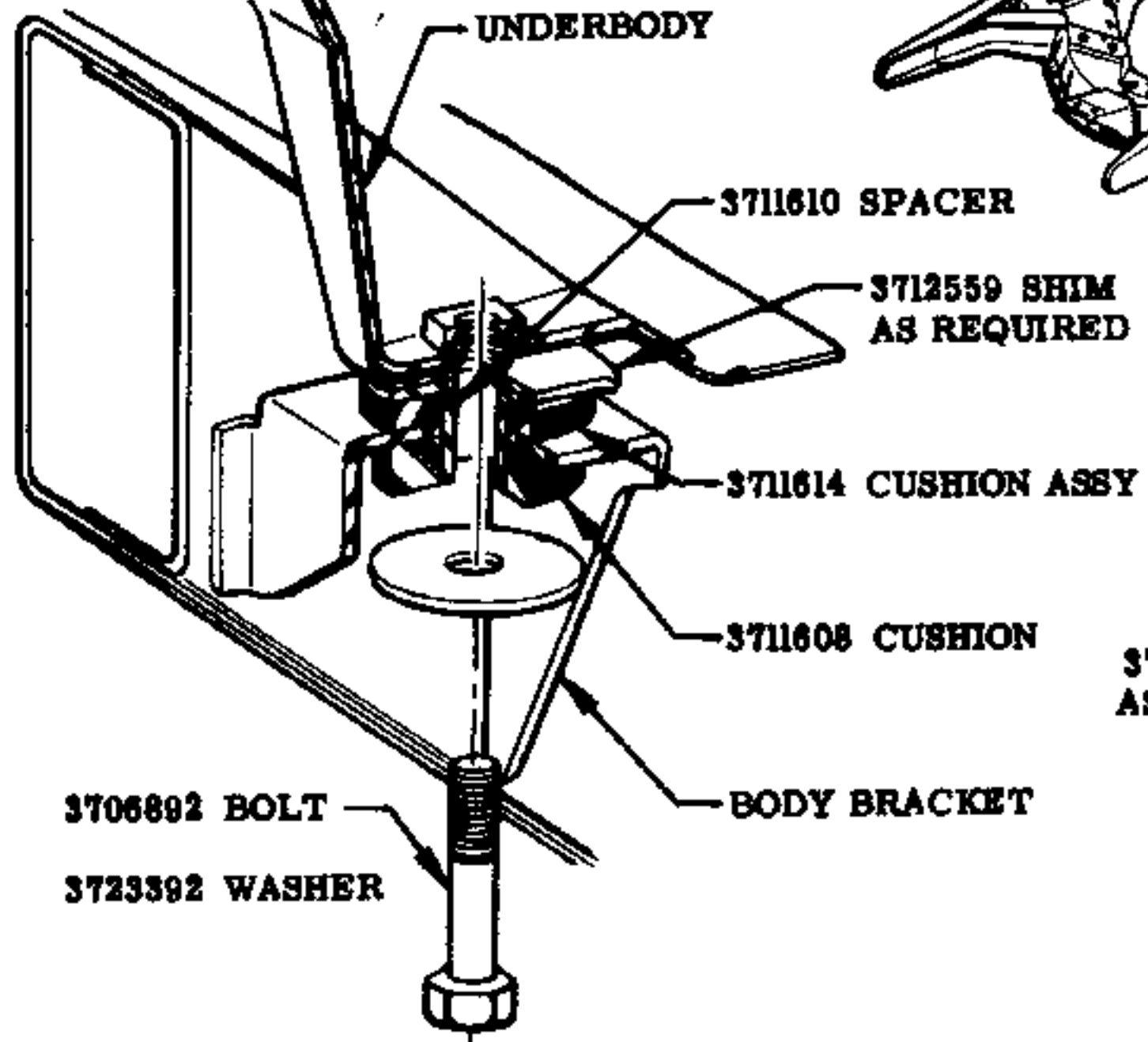
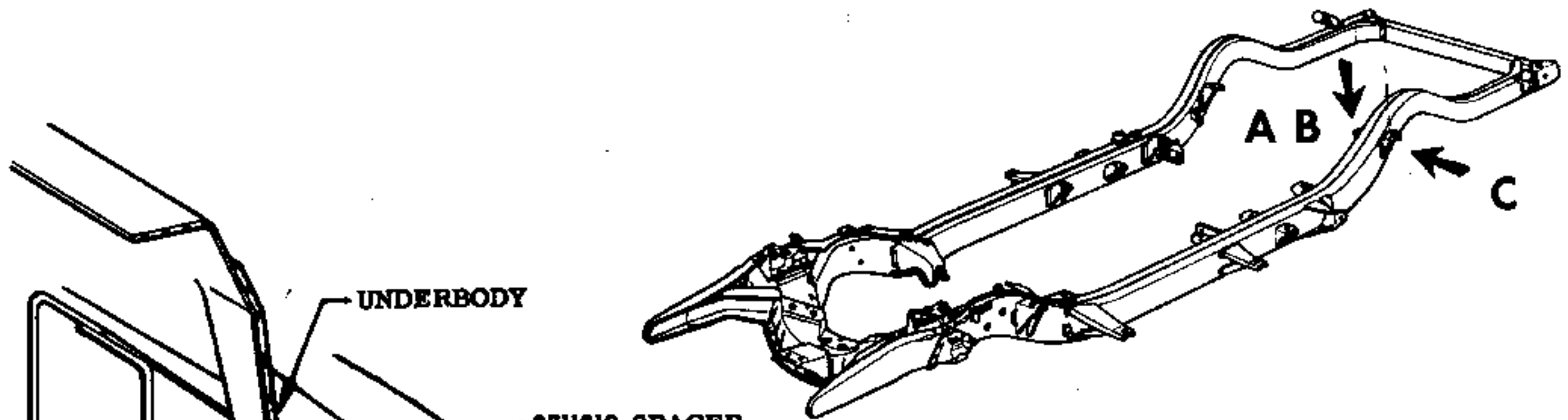


VIEW B
CONVERTIBLE

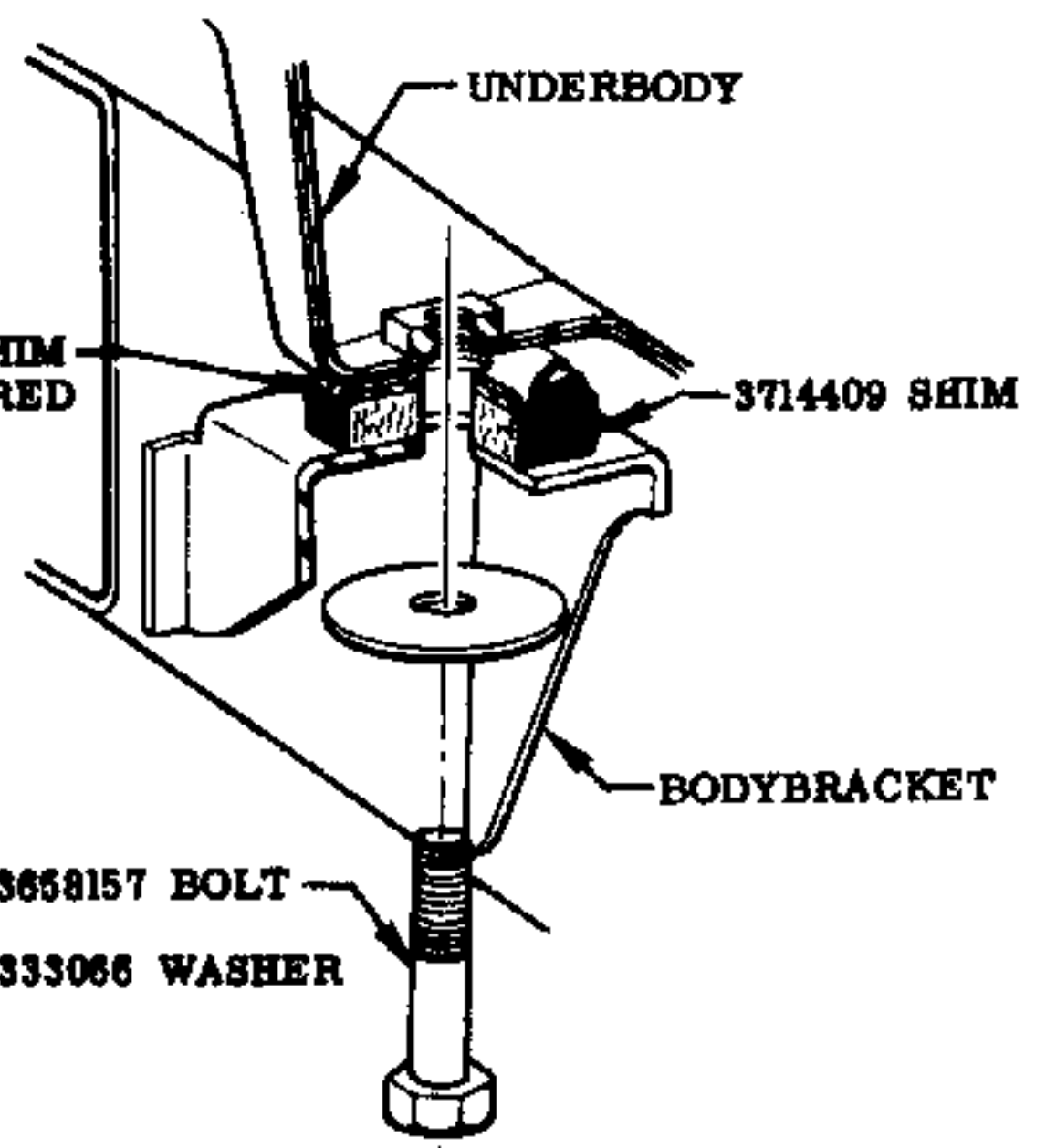
MODELS
ALL

NO. 4 BODY MOUNTING INSTRUCTION

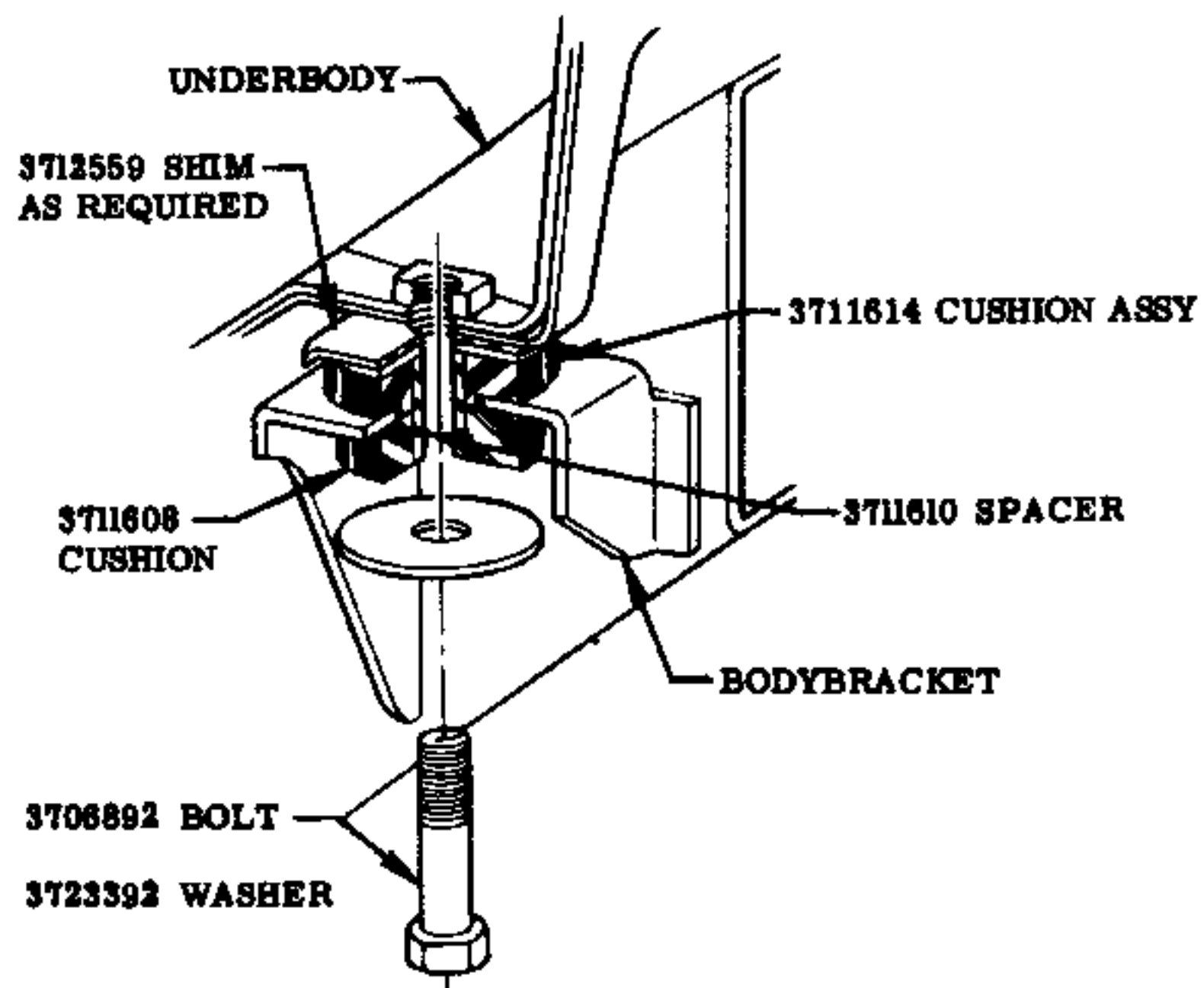
						NAME	PASSENGER CAR INSTRUCTION MANUAL			
						REF.	DRAWN	CHECKED	SECT.	SHEET
								F		
						DATE	PART No.		1	25.00
DATE	SYM.	REVISION RECORD	AUTH.	DR.	CK.	7-25-55	3726600			



VIEW A
ALL EXCEPT CONVERTIBLE
& 9 PASSENGER STATION WAGON

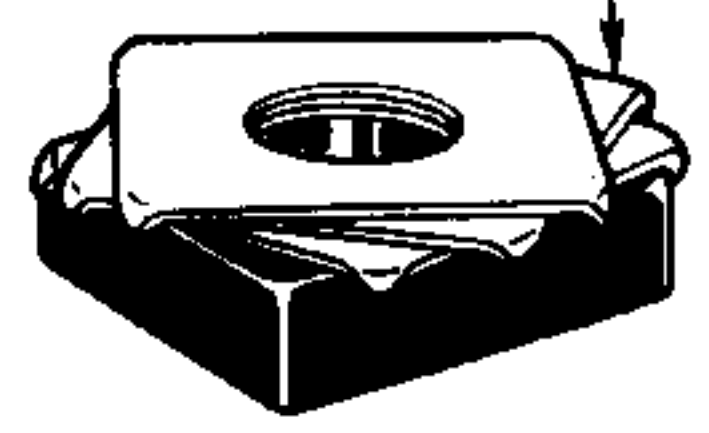


VIEW B
CONVERTIBLE



VIEW C
9 PASSENGER
STATION WAGON

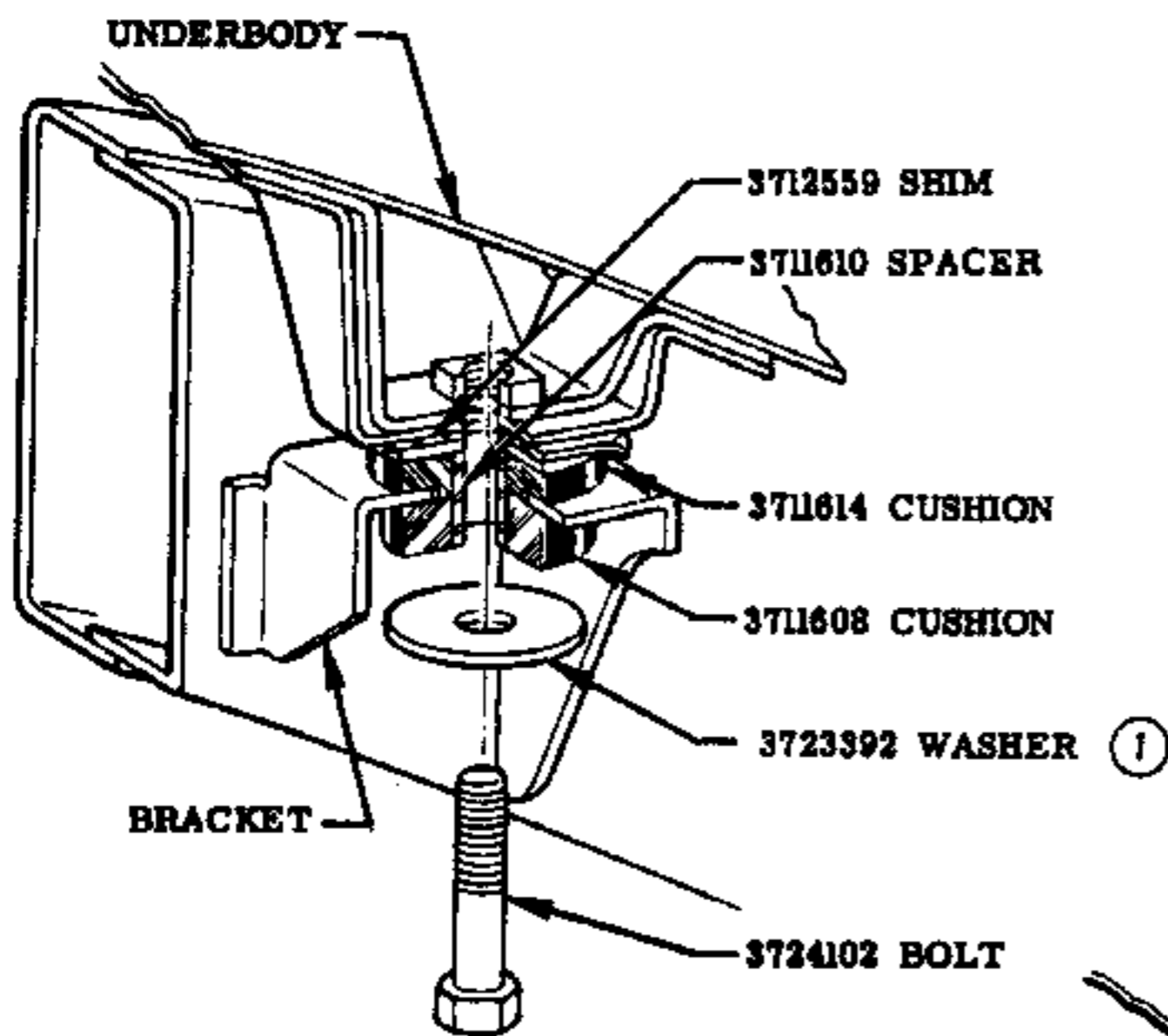
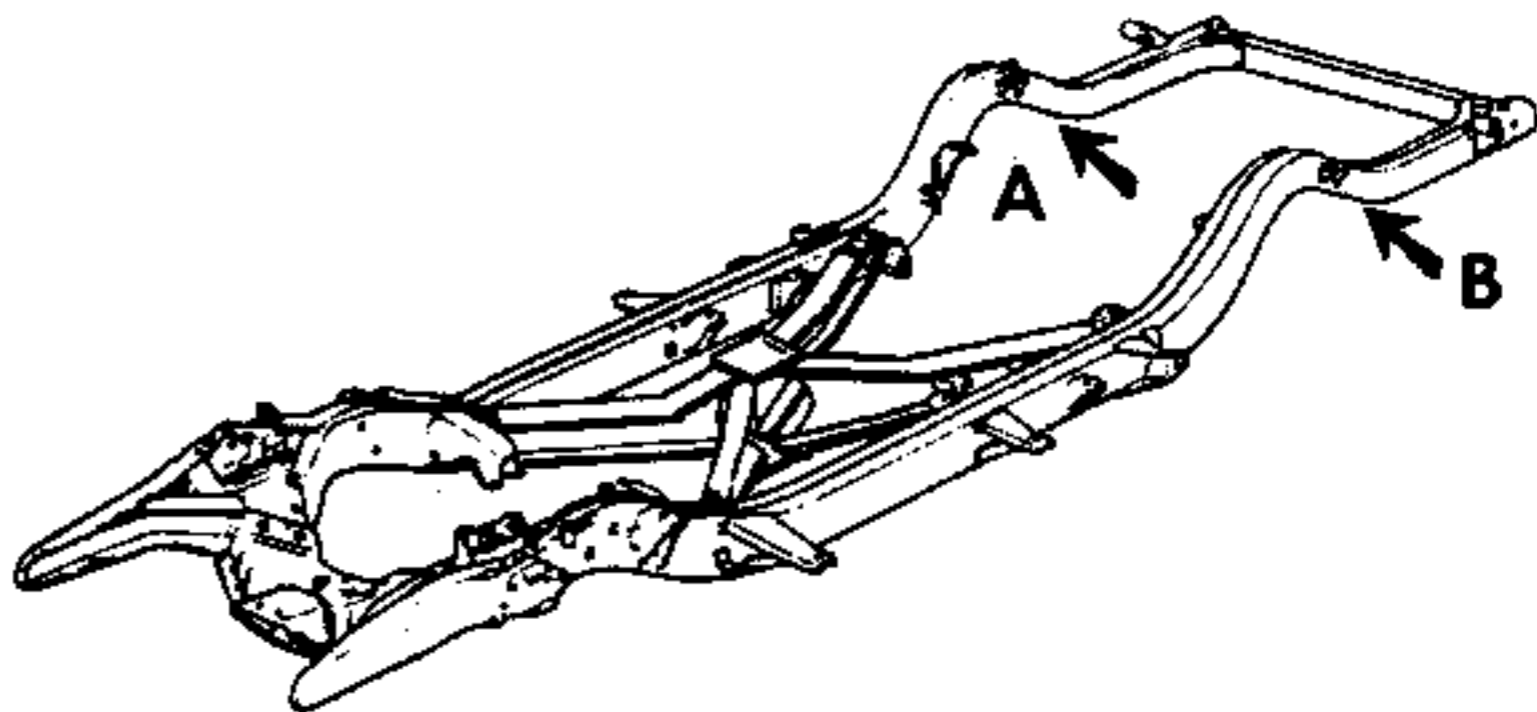
FIRST SHIM TO BE ROTATED
UNTIL TABS CONTACT CORNERS
AS SHOWN. ADDITIONAL SHIMS
MUST BE STAGGERED AS SHOWN



MODELS
ALL

NO. 5 BODY MOUNTING INSTRUCTION

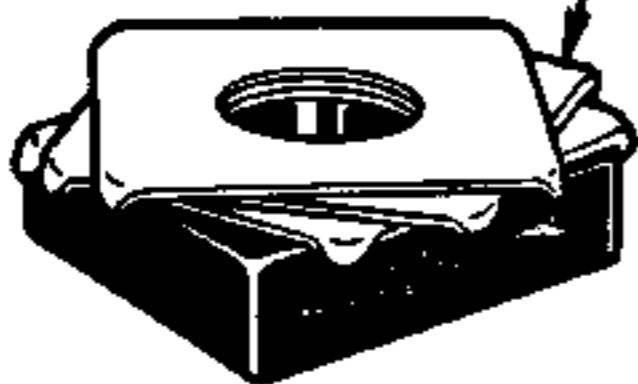
					NAME PASSENGER CAR INSTRUCTION MANUAL				
					REF.	DRAWN	CHECKED	SECT.	SHEET
							F	1	26.00
					DATE	PART No.			
					7-25-55	3726600			
DATE	SYM.	REVISION RECORD	AUTH.	DR.	CK.				



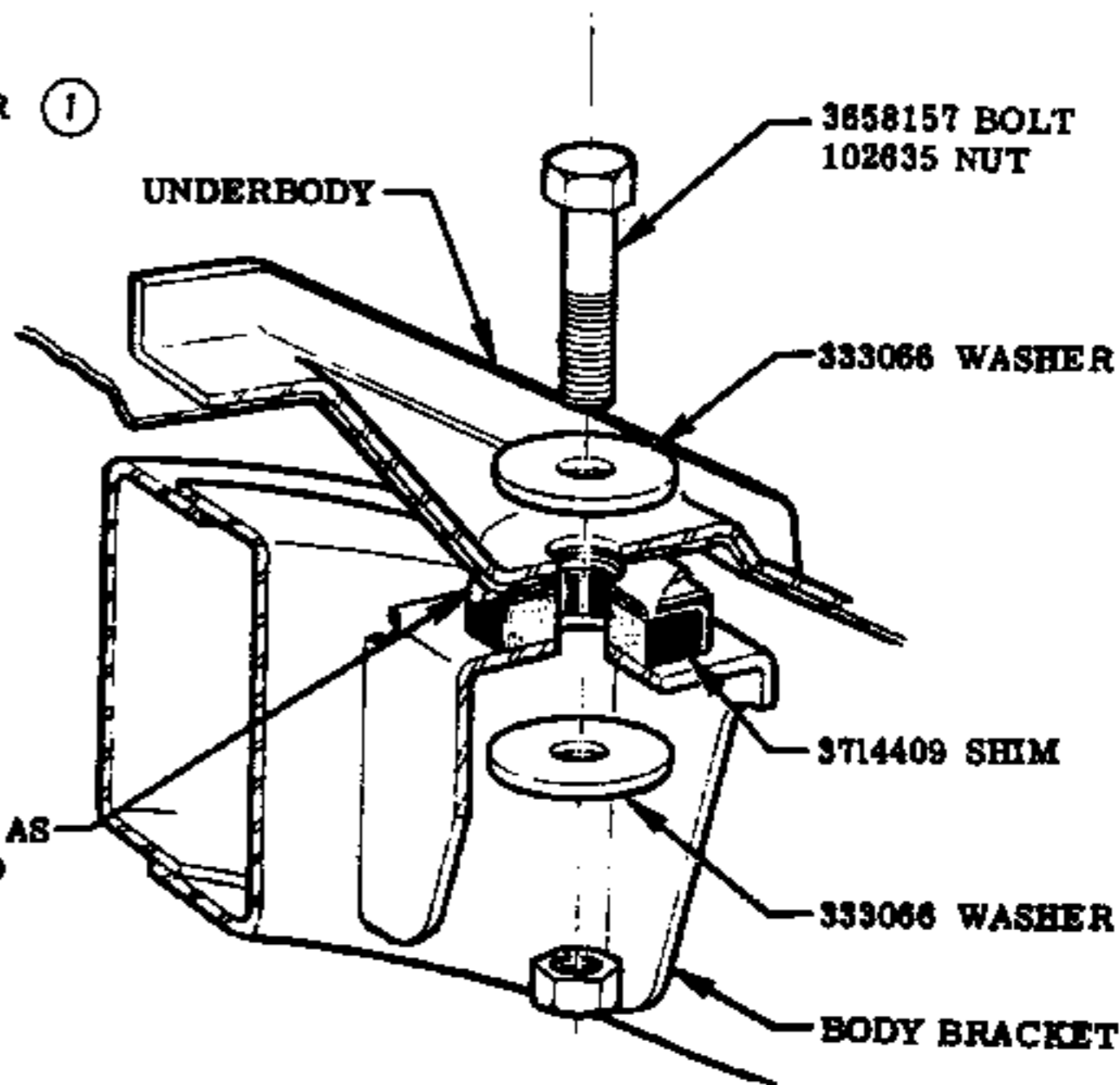
VIEW A

**9 PASSENGER
STATION WAGON**

**FIRST SHIM TO BE ROTATED
UNTIL TABS CONTACT CORNERS
AS SHOWN. ADDITIONAL SHIMS
MUST BE STAGGERED AS SHOWN.**



**3712559 SHIM AS
AS REQUIRED**



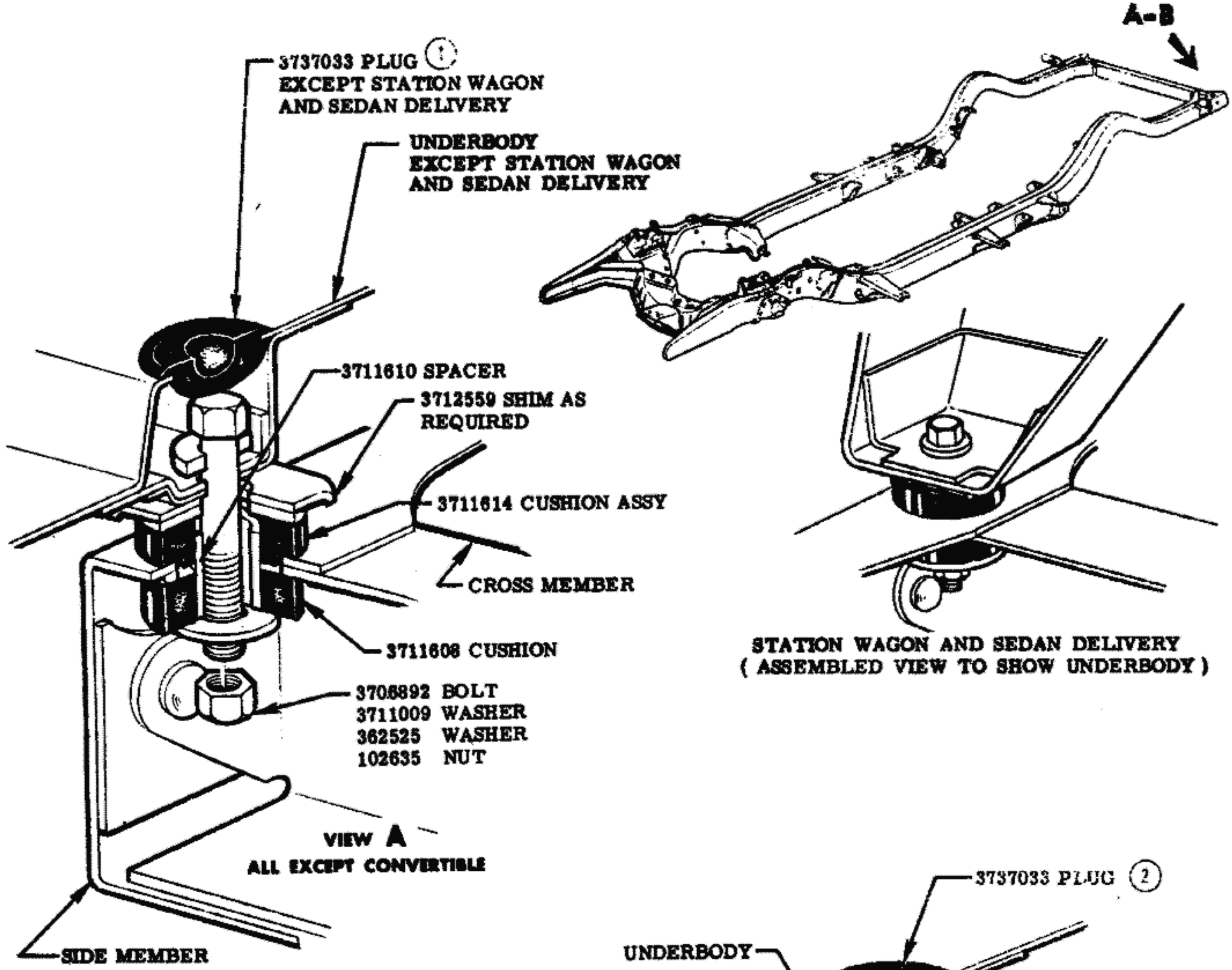
VIEW B

CONVERTIBLE

NO. 5-A BODY MOUNTING INSTRUCTION

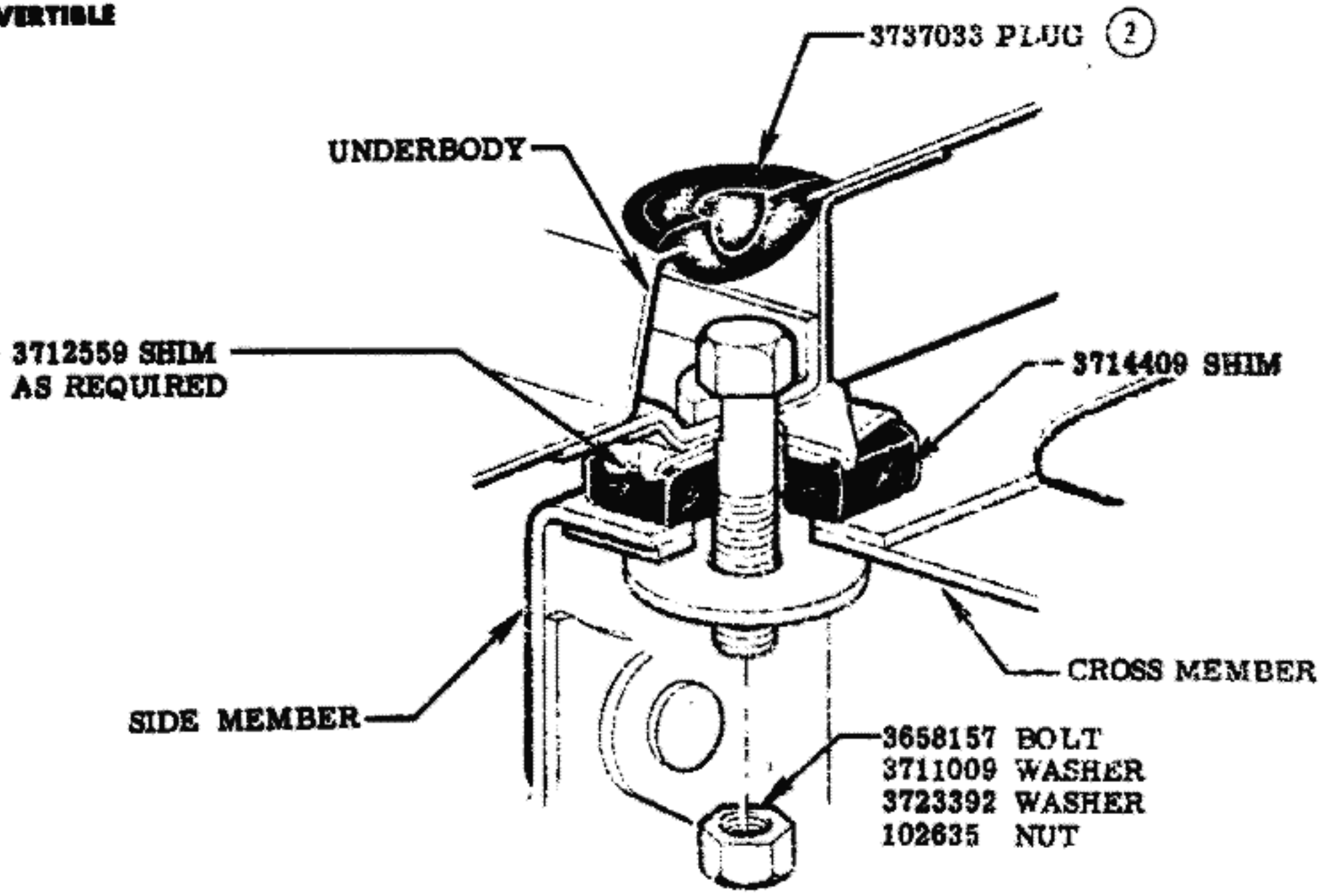
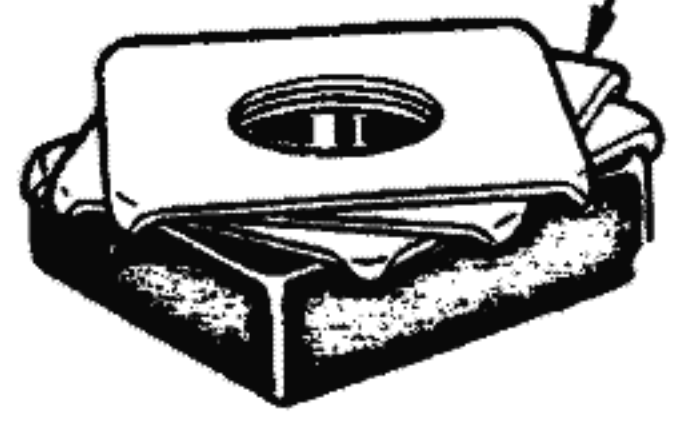
**MODELS
CONVERTIBLE &
9 PASSENGER
STATION WAGON**

					NAME PASSENGER CAR INSTRUCTION MANUAL				
					REF.	DRAWN	CHECKED	SECT.	SHEET
					F				
11-3-55	1	WAS 3711611	9393	F	DATE	PART No.	1 27.00		
DATE	SYM.	REVISION RECORD	AUTH.	DR.	7-25-55	3726600			



STATION WAGON AND SEDAN DELIVERY
(ASSEMBLED VIEW TO SHOW UNDERBODY)

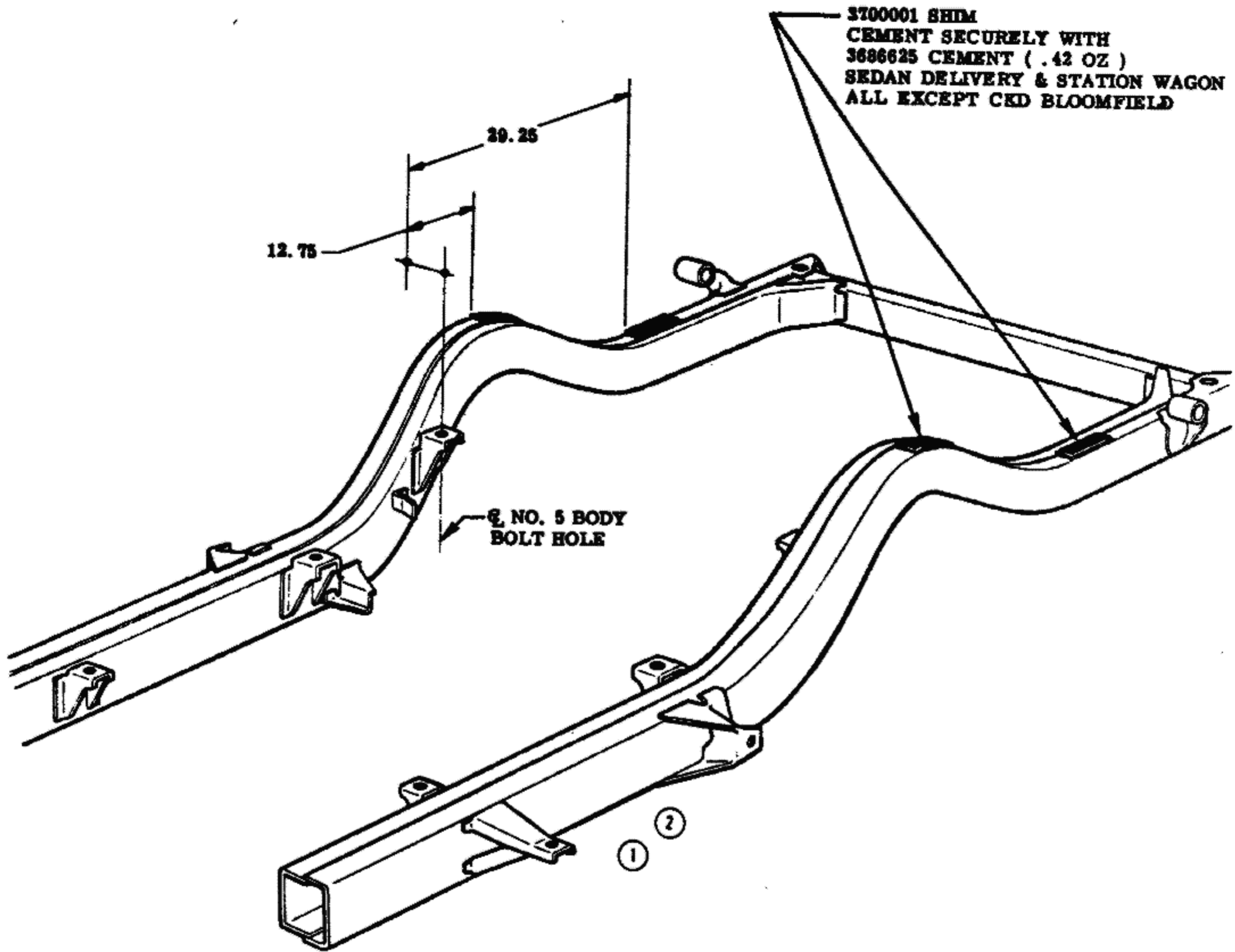
FIRST SHIM TO BE ROTATED UNTIL TABS CONTACT CORNERS AS SHOWN. ADDITIONAL SHIMS MUST BE STAGGERED AS SHOWN



MODELS
ALL

NO. 6 BODY MOUNTING INSTRUCTION

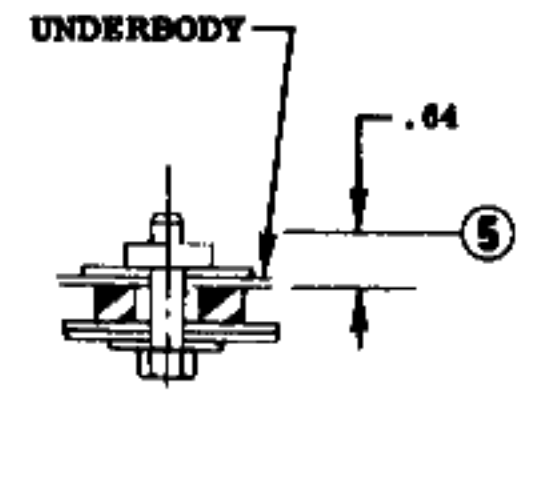
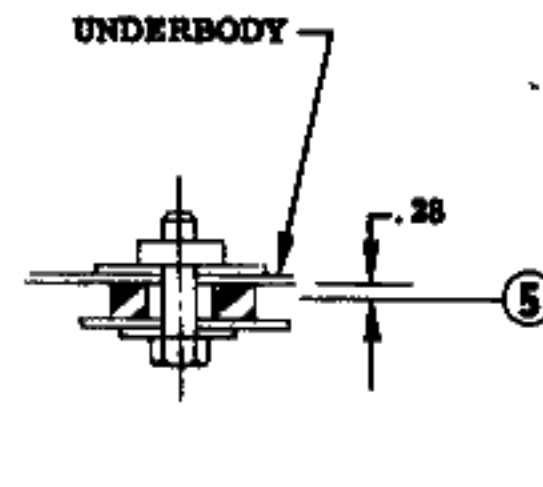
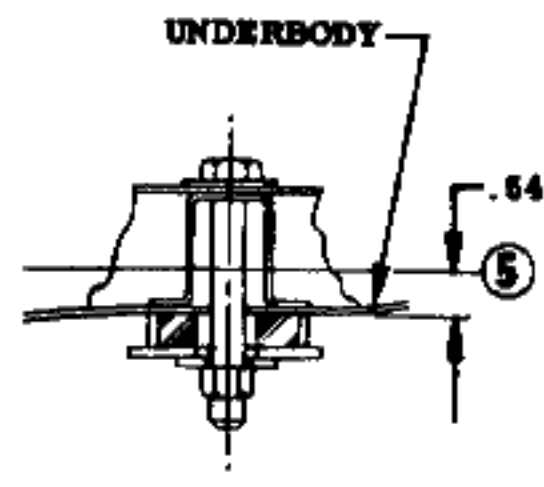
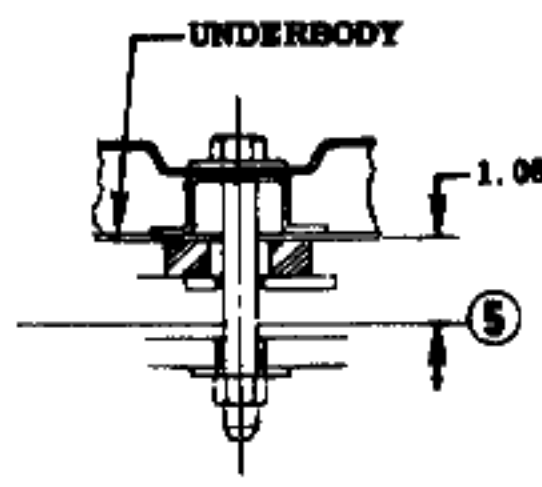
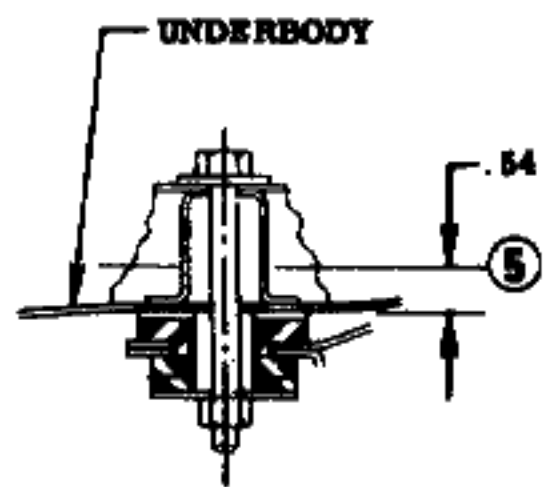
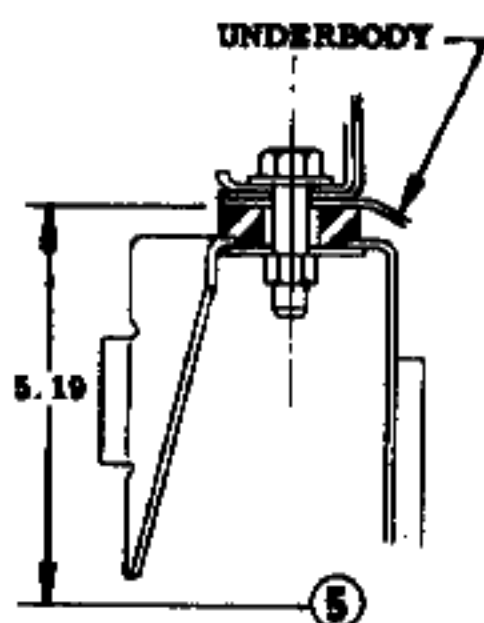
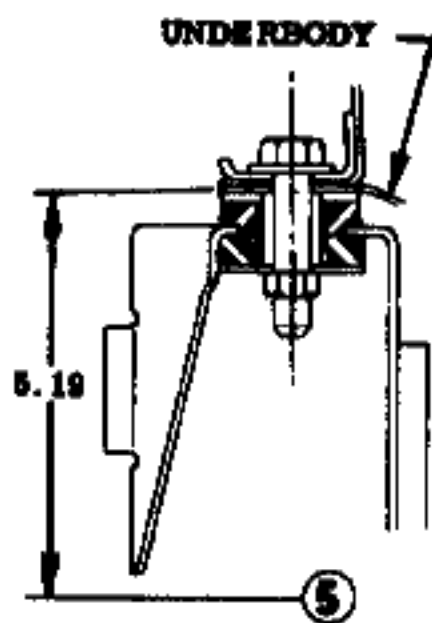
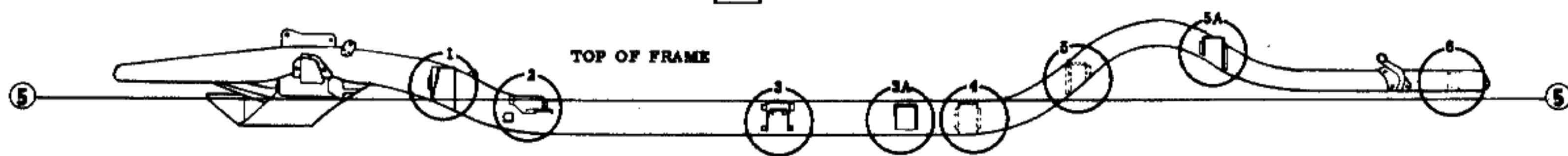
					NAME PASSENGER CAR INSTRUCTION MANUAL				
					REF.	DRAWN	CHECKED	SECT.	SHEET
								F	
4-9-56	2	WAS 3701780 TAPE		F	DATE	PART No.			
	1	WAS 3701780 TAPE	8627		7-25-55	3726800	1	28.00	
DATE	SYM.	REVISION RECORD	AUTH.	DR.	CK.				



BODY SHIM INSTRUCTION

MODELS
 ALL

					NAME PASSENGER CAR INSTRUCTION MANUAL				
					REF.	DRAWN	CHECKED	SECT.	SHEET
11-1-55	2	3686625 CEMENT REMOVED	4060	F			F	1	29.00
	1	3717194 SHIM REMOVED	1832		DATE	PART No.			
DATE	SYM.	REVISION RECORD	AUTH.	DR.	CK.	7-25-55	3726600		



#1 BODY MOUNTING
ALL EXCEPT CONV

#1 BODY MOUNTING
CONVERTIBLE ONLY

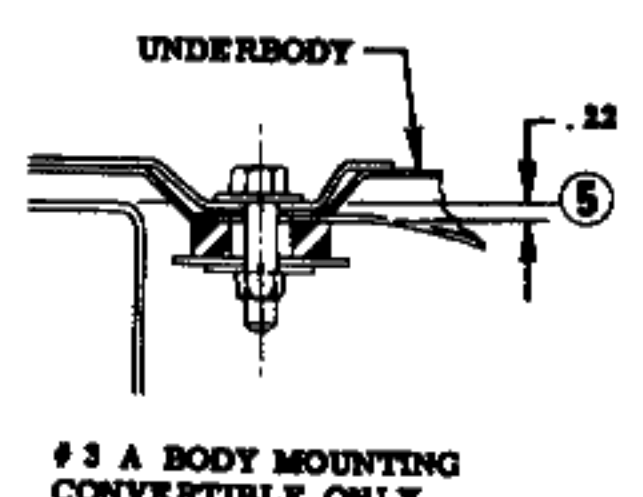
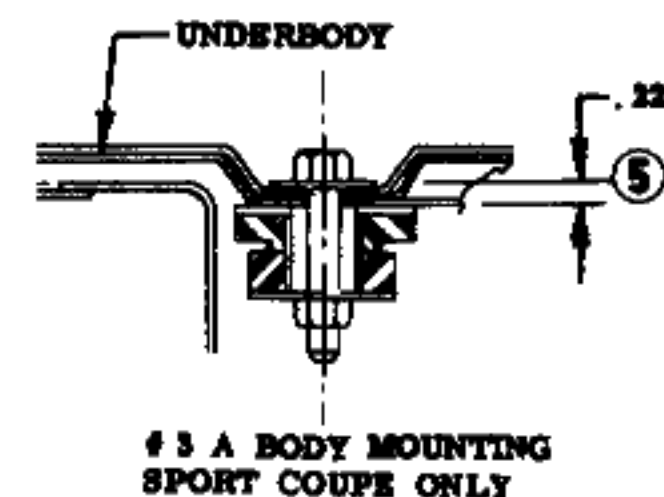
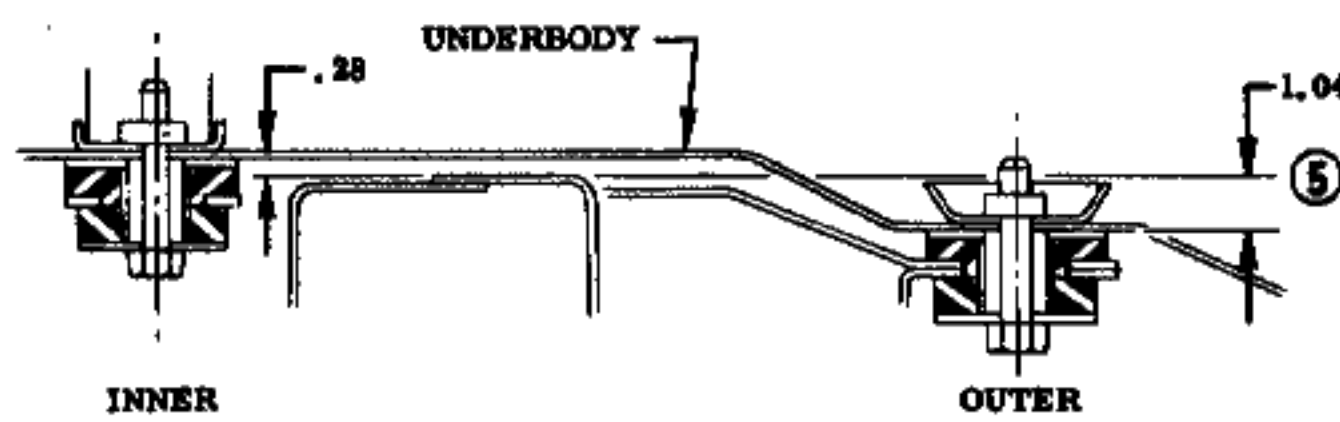
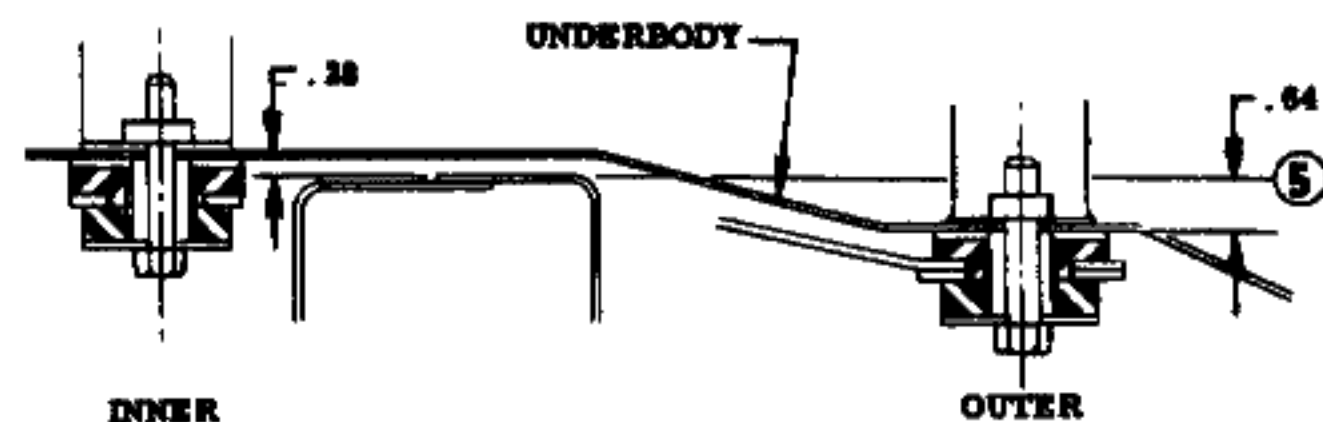
#2 OUTER BODY MOUNTING
ALL EXCEPT CONV

#2 INNER BODY MOUNTING
CONVERTIBLE ONLY

#2 OUTER BODY MOUNTING
CONVERTIBLE ONLY

#3 INNER BODY MOUNTING
CONVERTIBLE ONLY

#3 OUTER BODY MOUNTING
CONVERTIBLE ONLY

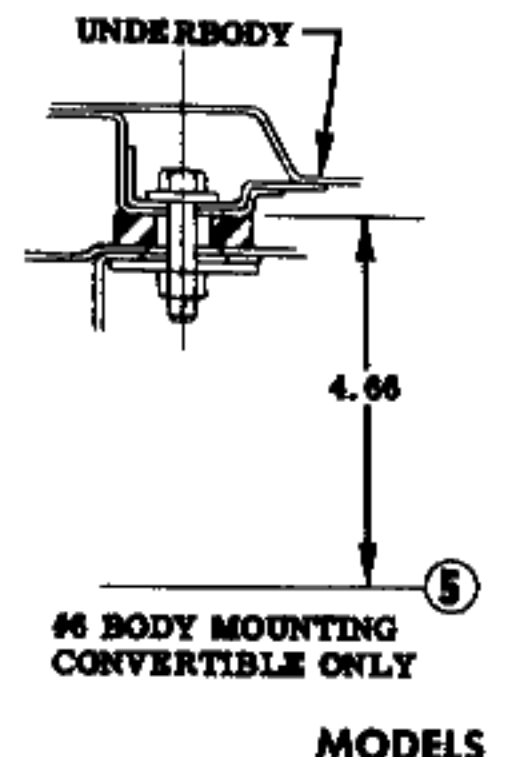
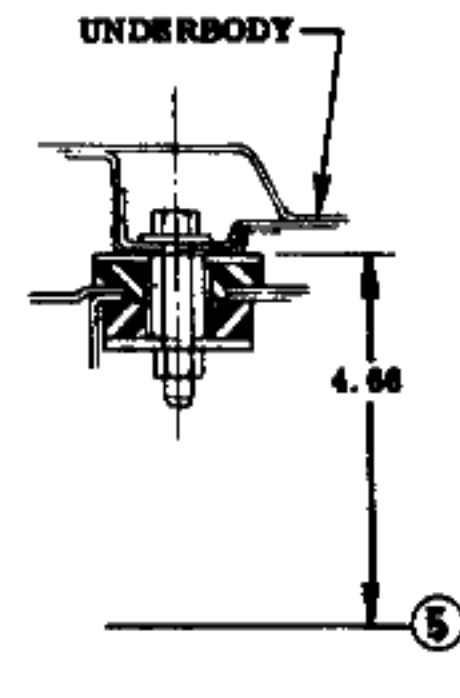
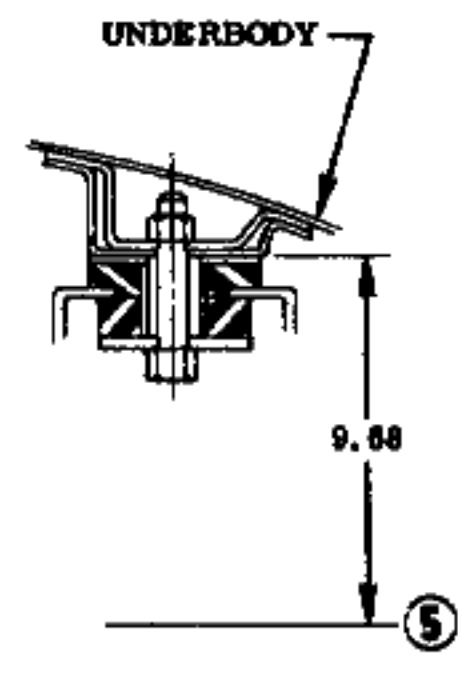
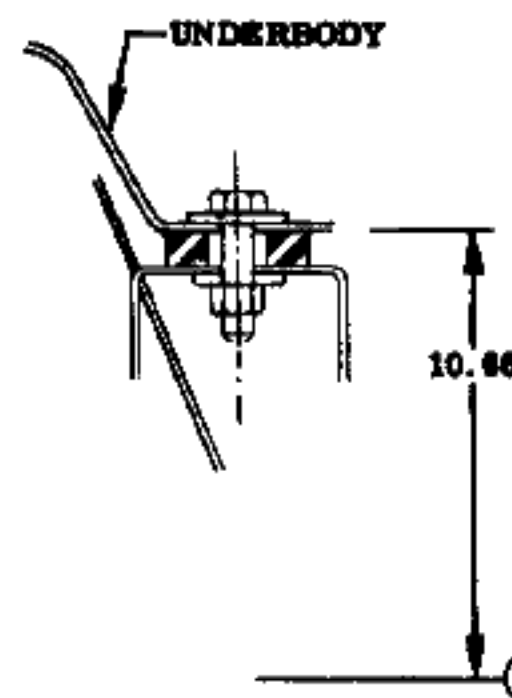
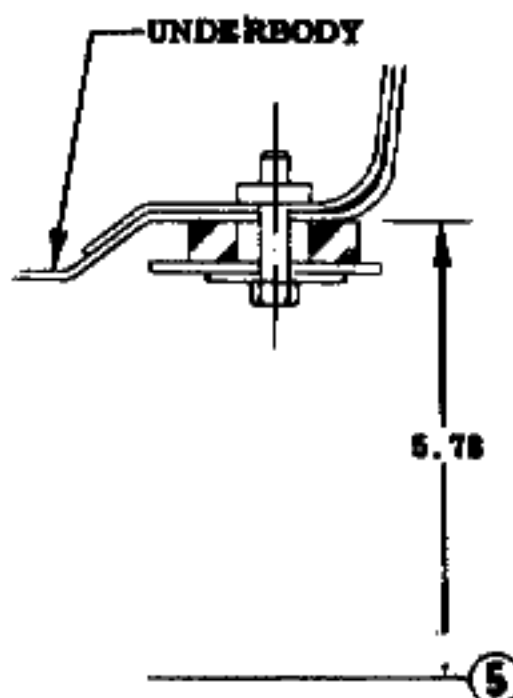
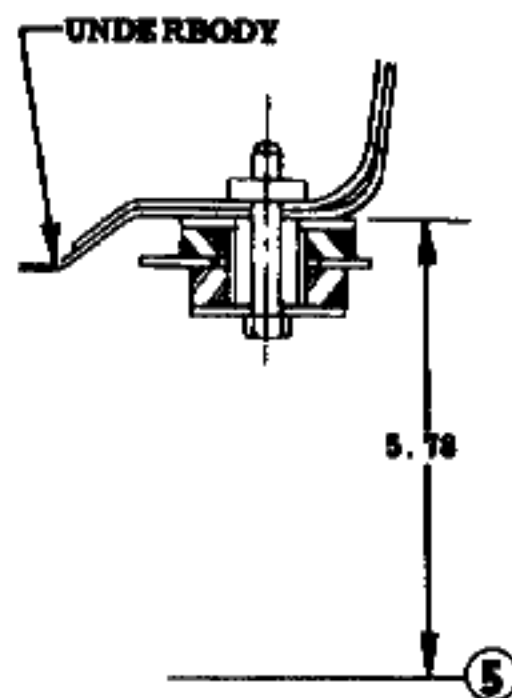
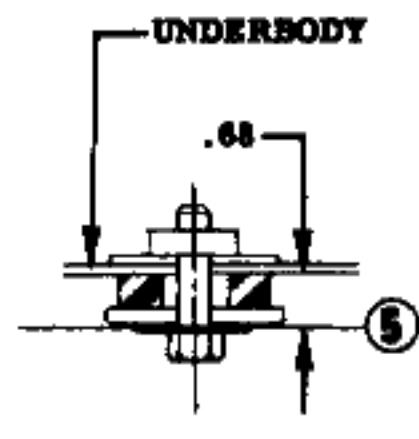
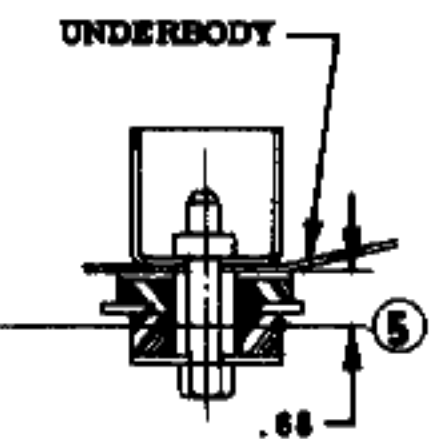


#3 BODY MOUNTING
ALL EXCEPT CONV & 4 DOOR SPORT SEDAN

#3 BODY MOUNTING
4 DOOR SPORT SEDAN ONLY

#3 A BODY MOUNTING
SPORT COUPE ONLY

#3 A BODY MOUNTING
CONVERTIBLE ONLY



#4 BODY MOUNTING
ALL EXCEPT CONV

#4 BODY MOUNTING
CONVERTIBLE ONLY

#5 BODY MOUNTING
ALL EXCEPT CONV

#5 BODY MOUNTING
CONVERTIBLE ONLY

#5 A BODY MOUNTING
CONVERTIBLE ONLY

#5 A BODY MOUNTING
9 PASS. STA. WAGON ONLY

#6 BODY MOUNTING
ALL EXCEPT CONV

#6 BODY MOUNTING
CONVERTIBLE ONLY

MODELS
ALL

BODY MOUNTING CHECKING DIMENSIONS

						NAME PASSENGER CAR INSTRUCTION MANUAL				
						REF.	DRAWN	CHECKED	SECT.	SHEET
								F	1	30.00
DATE	SYM.	REVISION RECORD		AUTH.	DR.	CL.	DATE	PART No.	3726600	
							7-25-55			

NO. 3 A BODY BRACKET INSTRUCTION
SHEET 5.00 (2454 ONLY)

NO. 3 OUTER BODY BRACKET INSTRUCTION
SHEET 4.00 (2113-2413)

CLUTCH SHAFT BRACKET INSTRUCTION LD
SHEET 2.00

CLUTCH SHAFT BRACKET INSTRUCTION
SHEET 2.00

FRAME ASSEMBLY

3732089
3732081 — OPT 2113-2413
3732101

3732099
3732087 — OPT 2119-2419
3732083

3732085
3732075 — OPT- OTHERS
3732093
LEFT DRIVE

FRAME ASSEMBLY

5 3733376 -2113-2413
6 3733381 -1500-2109-2403

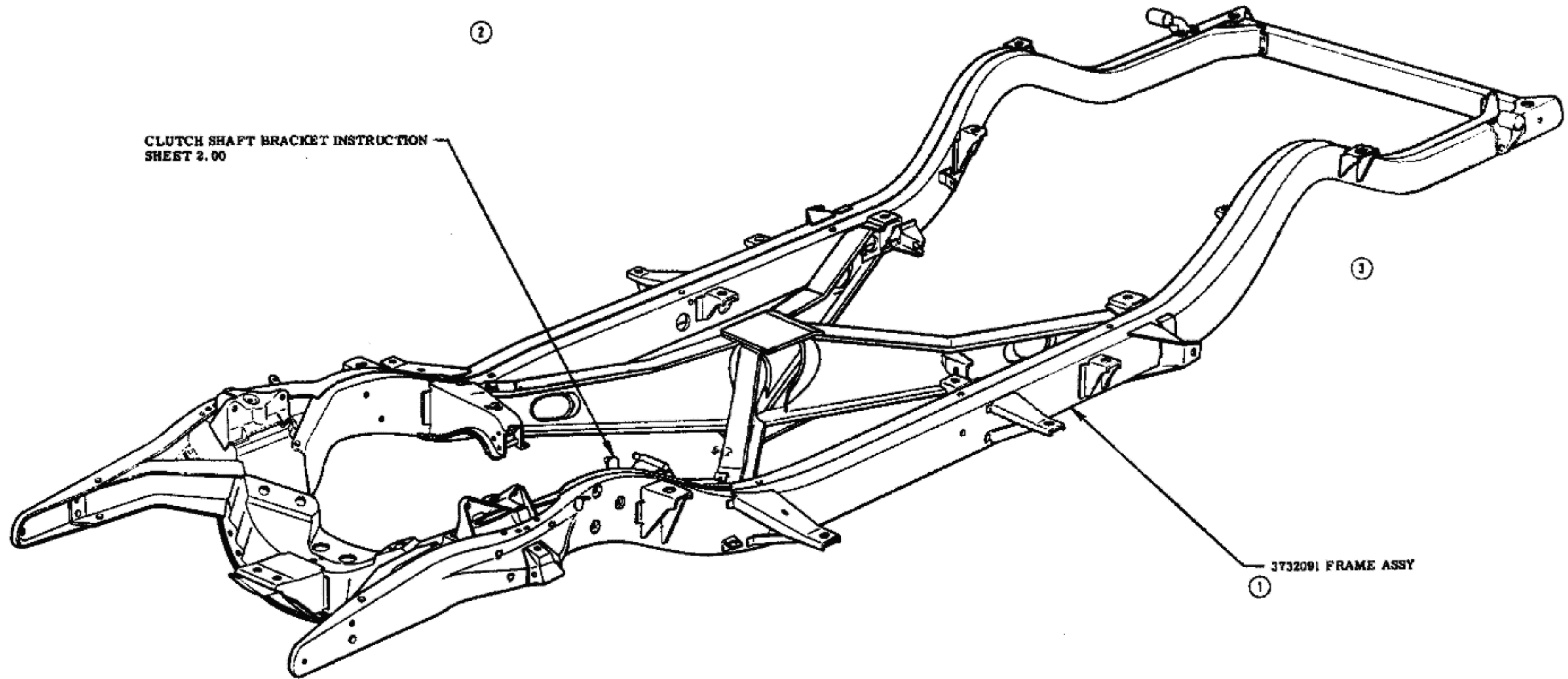
RIGHT DRIVE

IDENTICAL WITH LEFT DRIVE
EXCEPT AS SHOWN

FRAME INSTRUCTION

MODELS
ALL EXCEPT 2434 AND
CED BLOOMFIELD

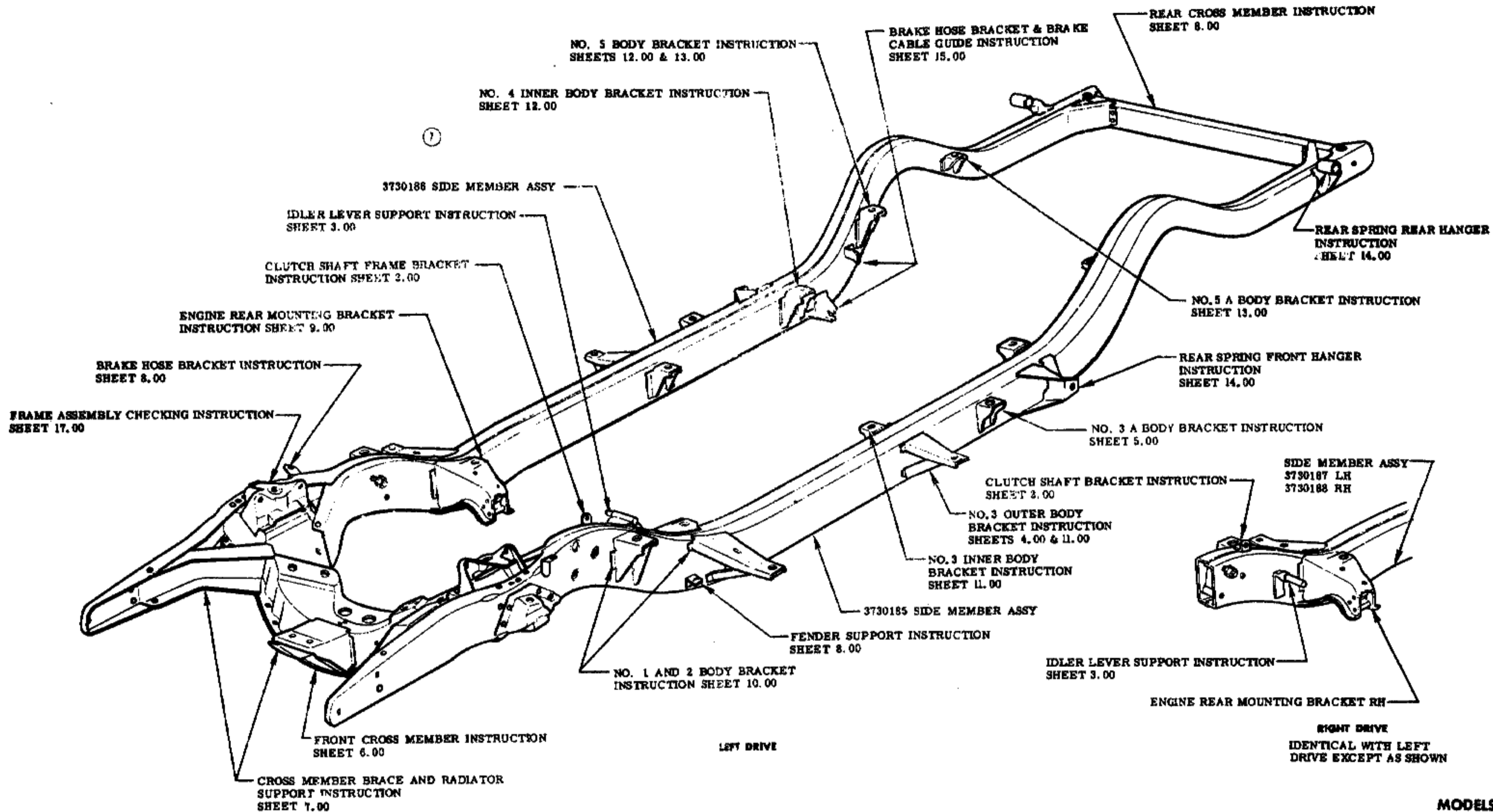
REVISION RECORD							PASSENGER CAR INSTRUCTION MANUAL			
DATE	SYM.	REVISION RECORD	AUTH.	DR.	CK.	DATE	PART No.	SECT.	SHEET	
	6	WAS 3724989				1-25-55	3726600	2	1.00A	
	5	WAS 3723890								
3-20-56	4	REDRAWN	6028							



FRAME INSTRUCTION

MODELS
2434

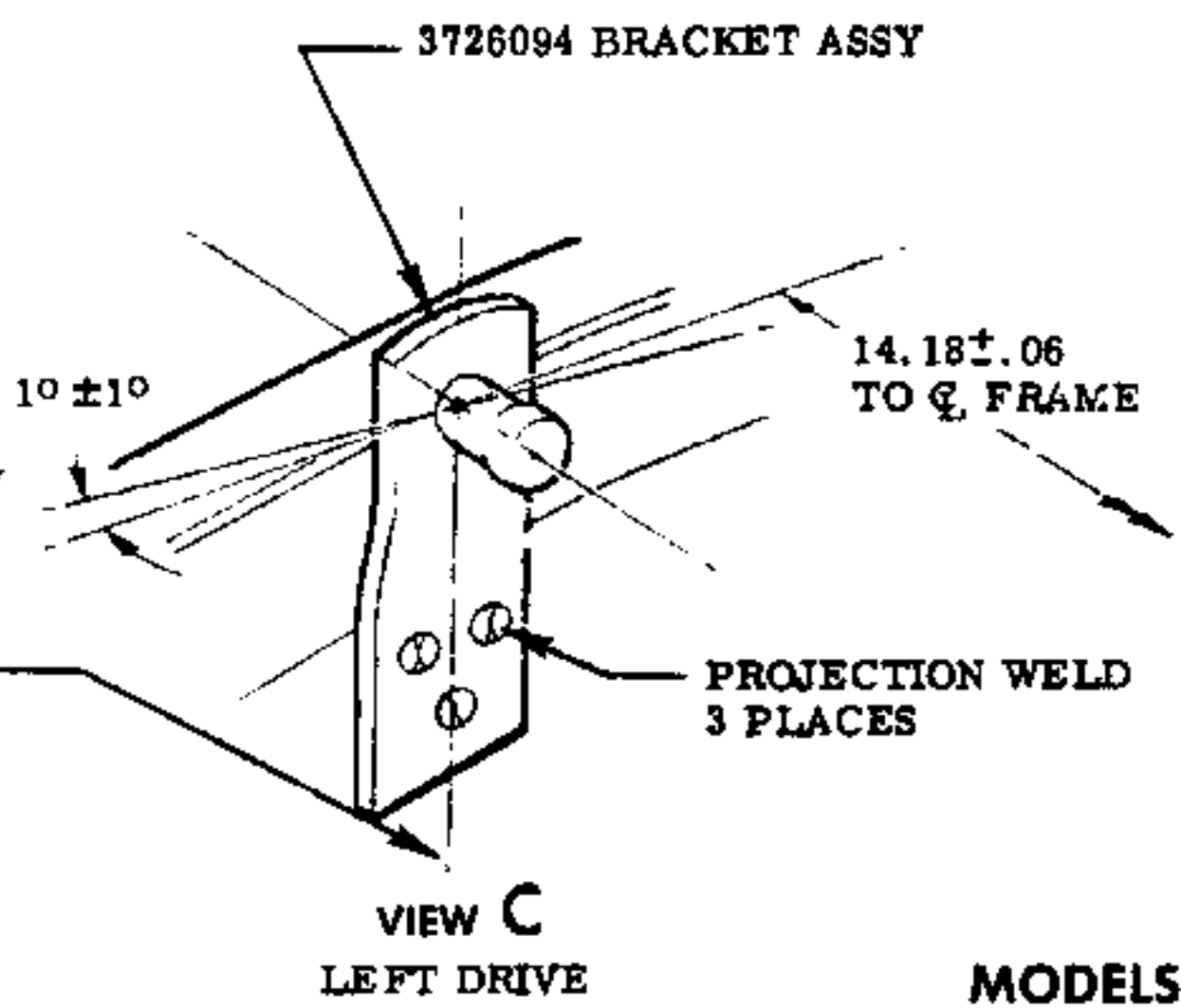
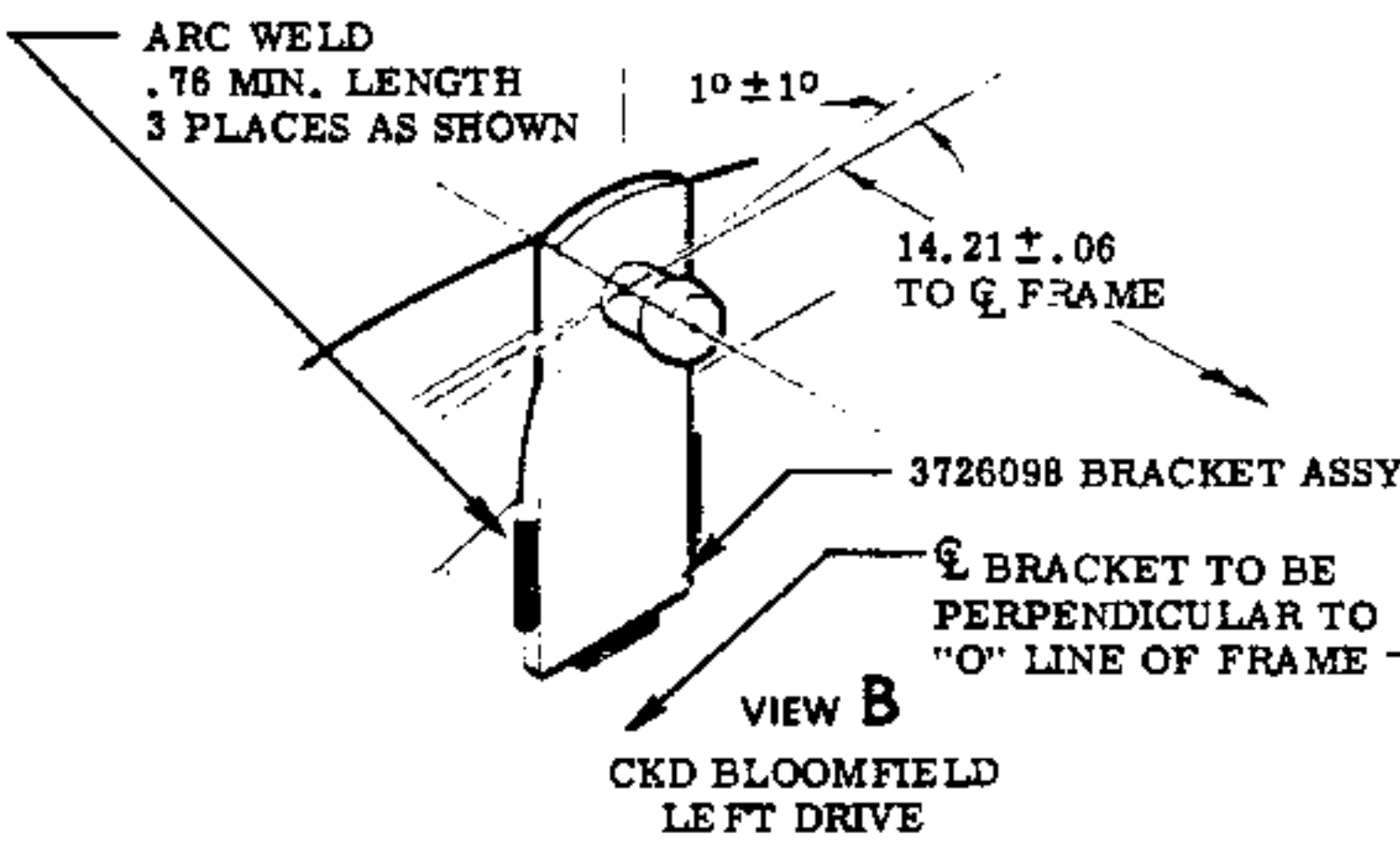
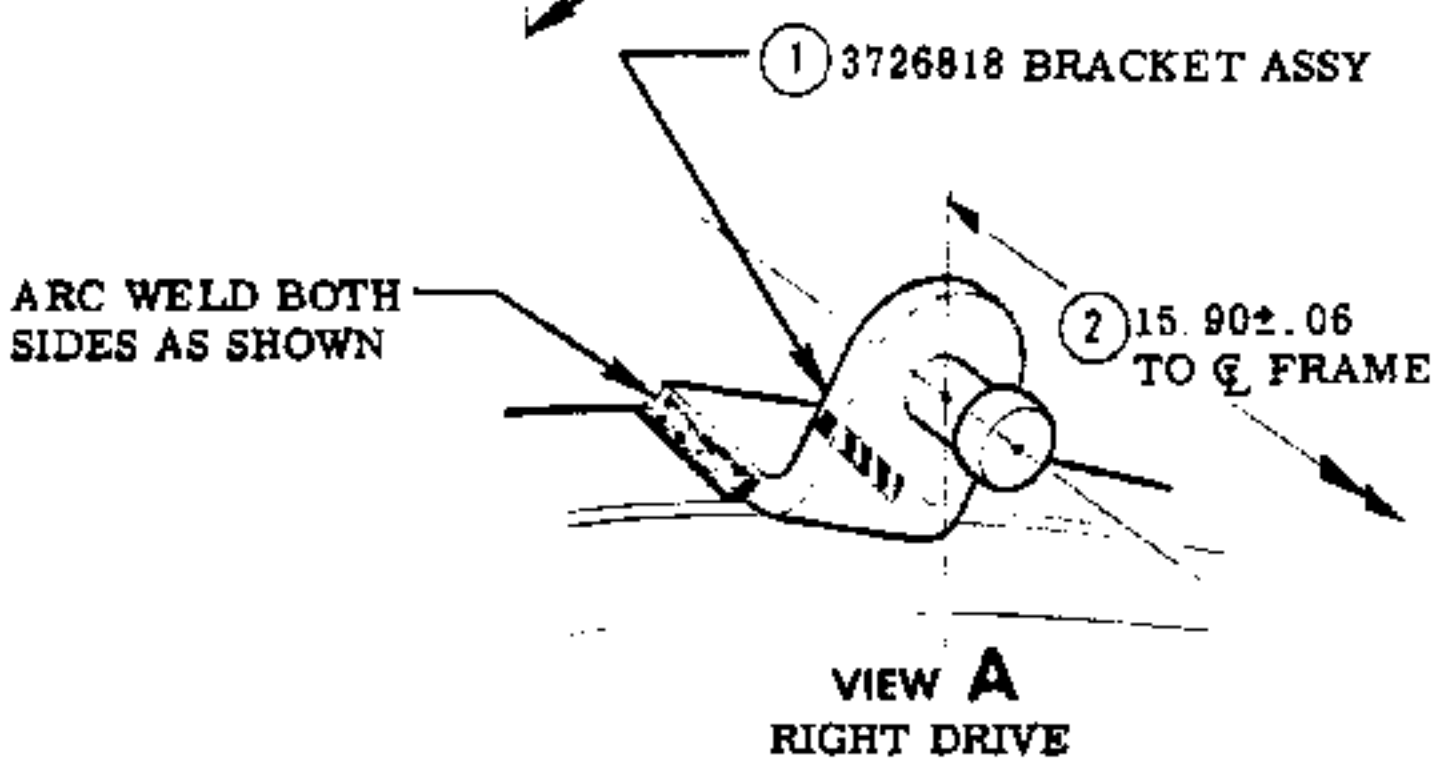
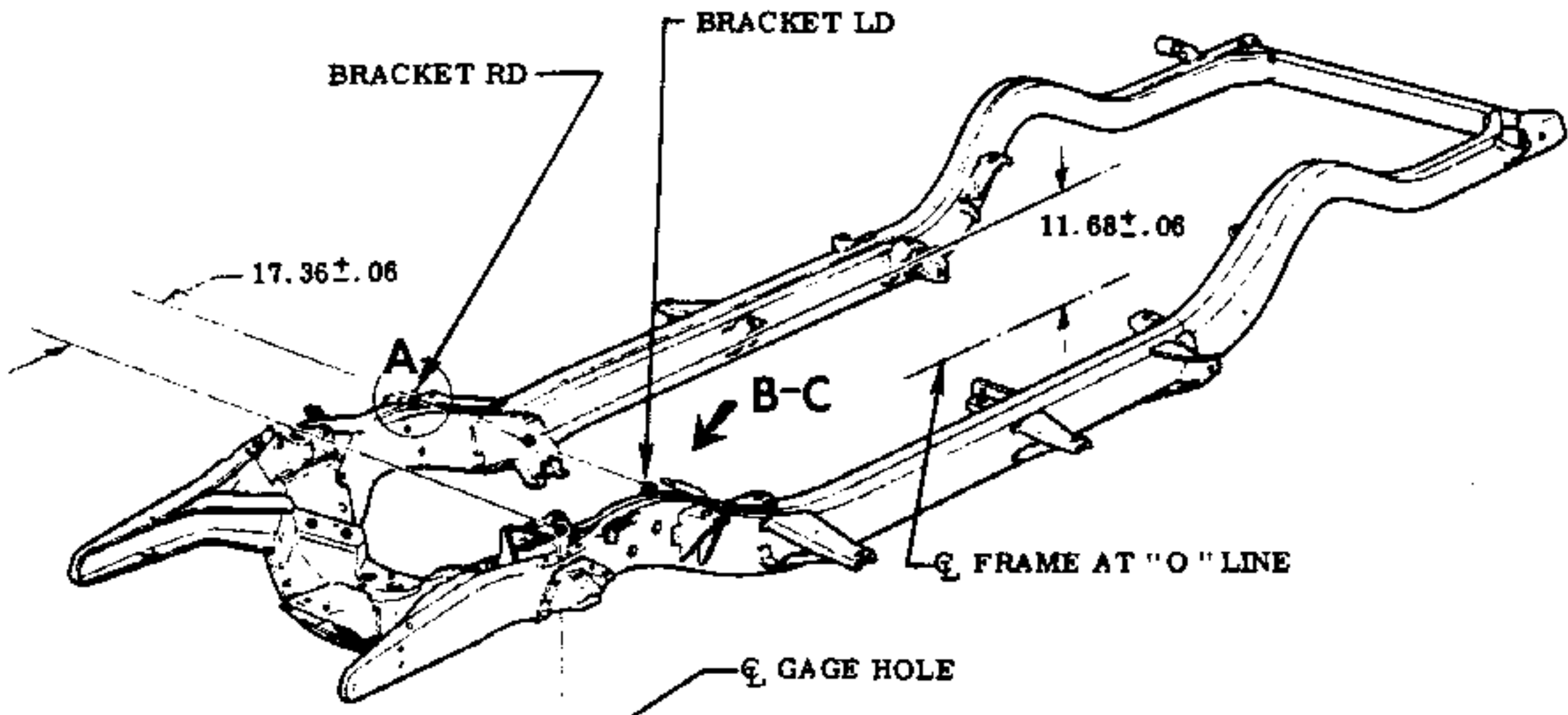
NAME PASSENGER CAR INSTRUCTION MANUAL										
	3	NOTE REMOVED				REF.	DRAWN	CHECKED F	SECT.	SHEET
	2	NOTE REMOVED								
1-18-56	1	WAS 3724988	5129			DATE	PART No.		2	1.00B
DATE	SYM.	REVISION RECORD	AUTH.	DR.	CK.	7-25-55	3726600			



FRAME INSTRUCTION

MODELS
ALL
CKD BLOOMFIELD

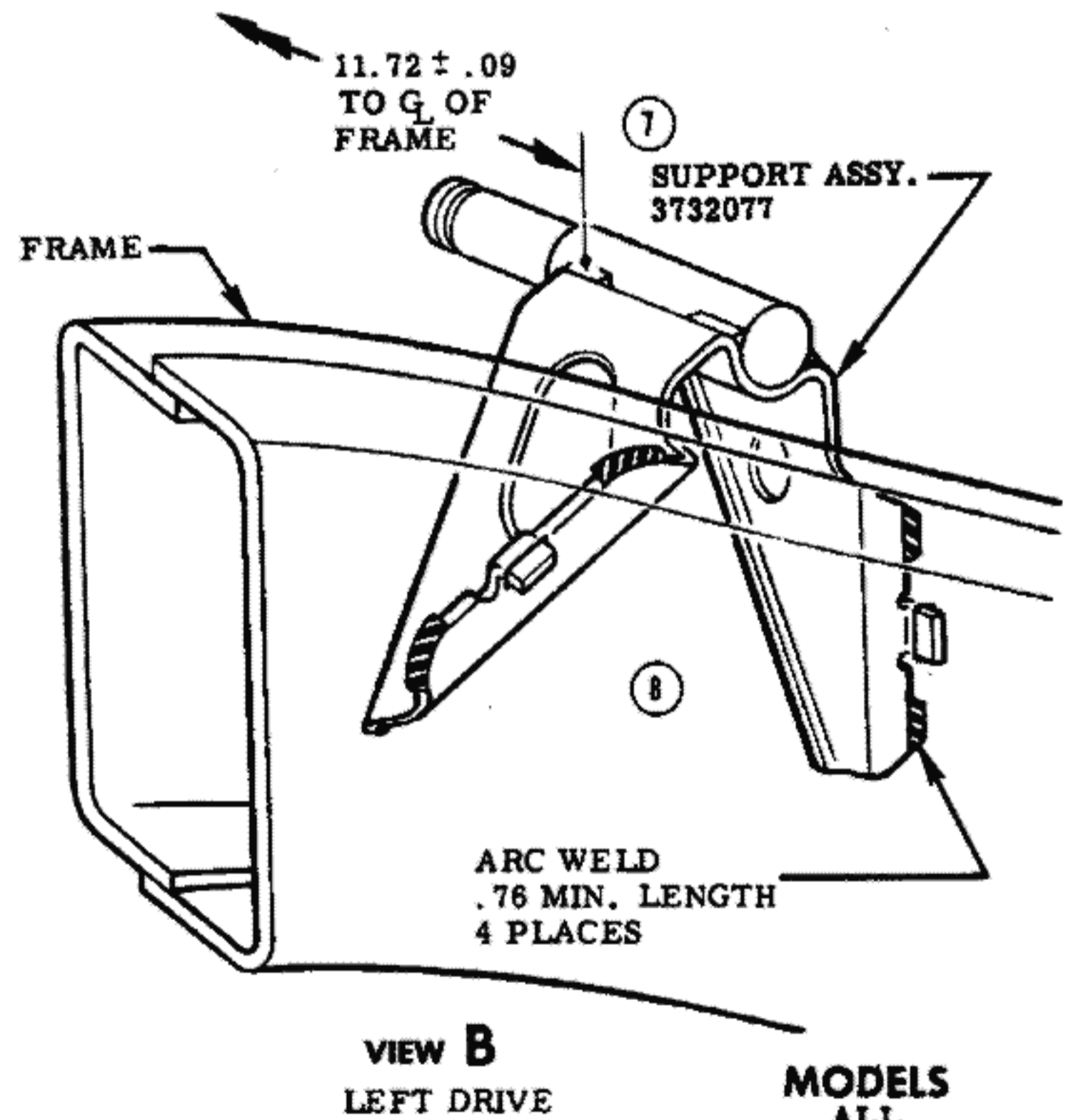
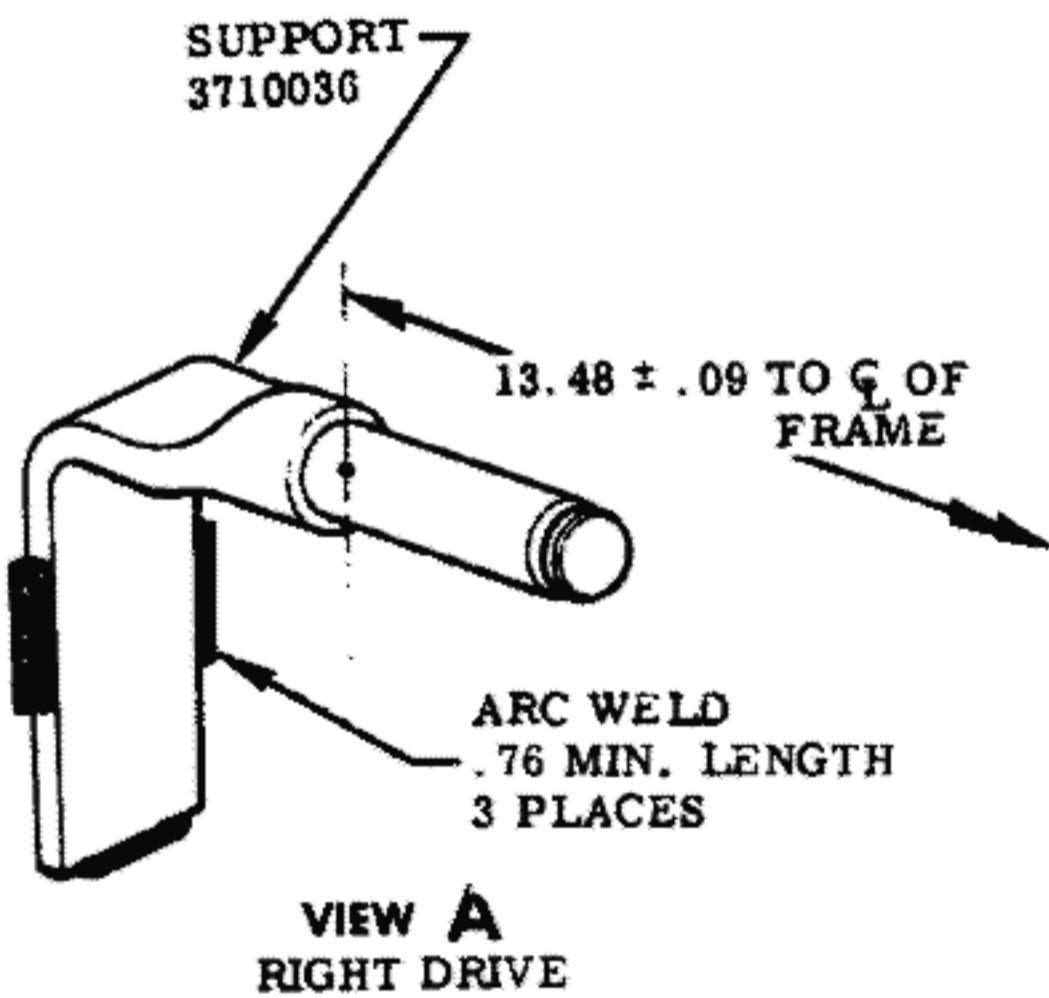
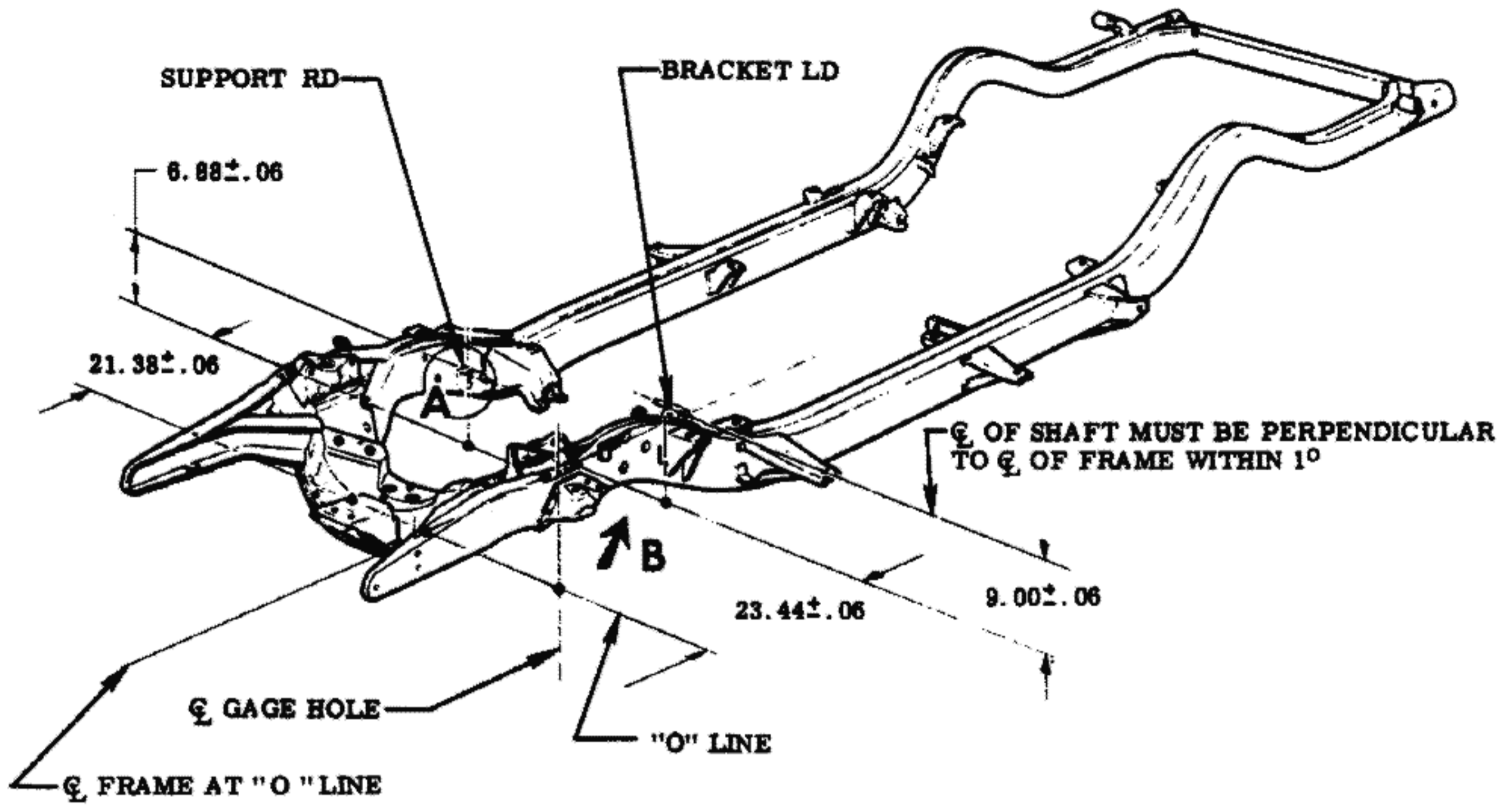
						PASSENGER CAR INSTRUCTION MANUAL				
DATE	SYM.	REVISION RECORD	AUTH.	DR.	CL.	REF.	DRAWN	CHECKED	SECT.	SHEET
	7	NOTE REMOVED				F				
3-20-56	8	REDRAWN	6028							
						DATE	PART No.		2	1.00 C
						7-25-55	3726600			



CLUTCH SHAFT FRAME BRACKET INSTRUCTION

MODELS ALL

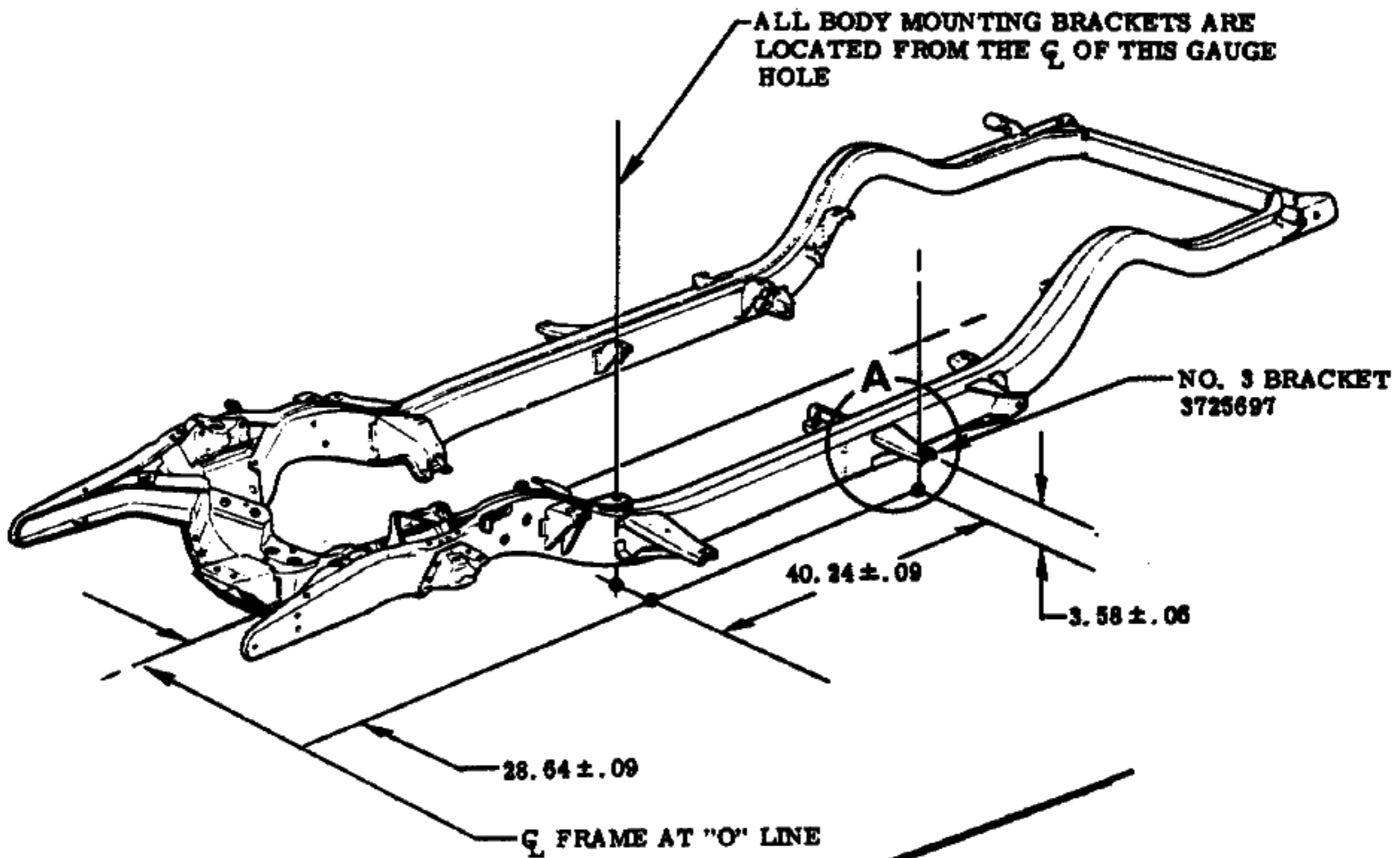
					NAME PASSENGER CAR INSTRUCTION MANUAL				
					REF.	DRAWN	CHECKED	SECT.	SHEET
							F	2	2.00
9-22-55	1	WAS 3714180	2353		DATE	PART No.			
DATE	SYM.	REVISION RECORD	AUTH.	DR.	7-25-55	3726600			



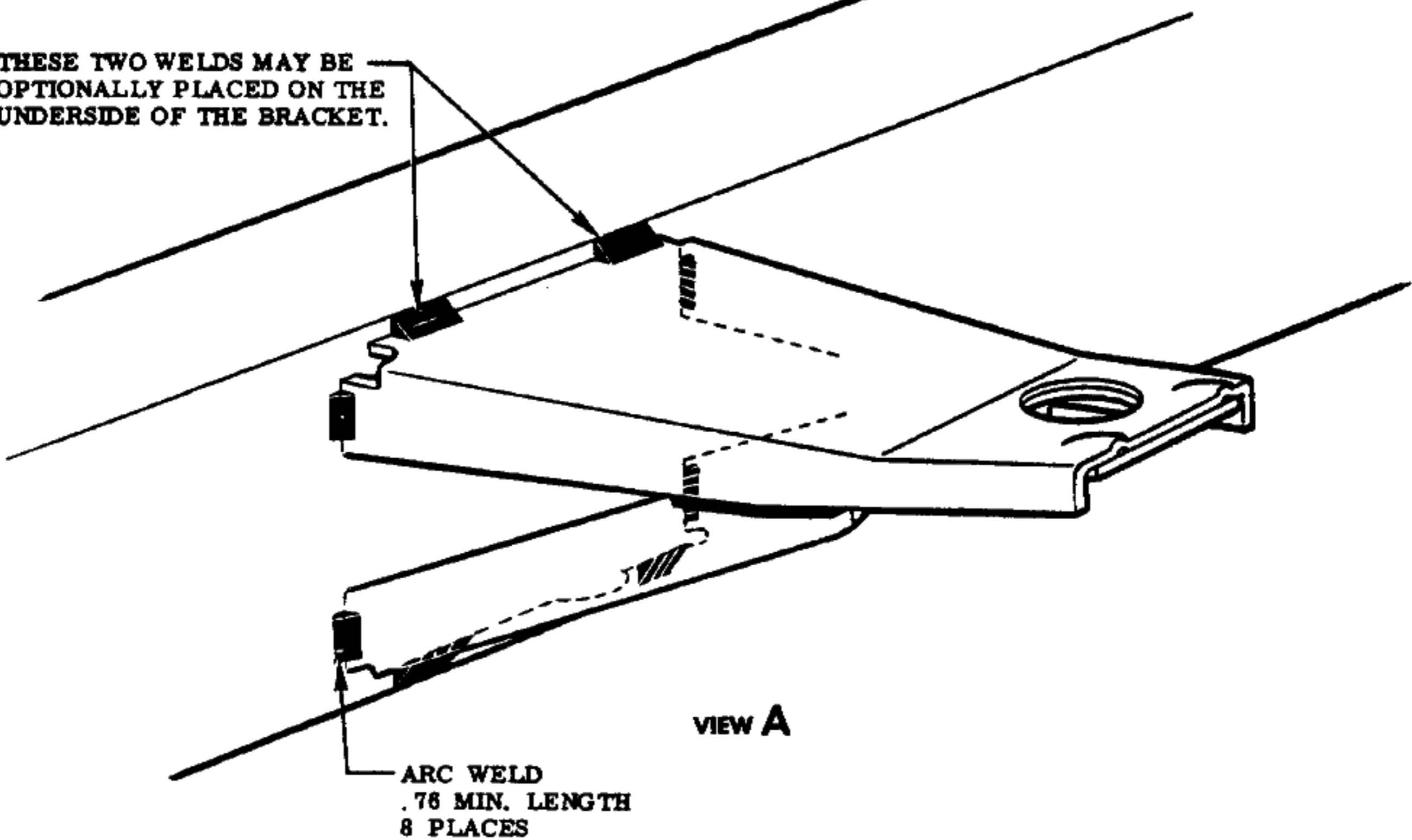
MODELS
ALL
CKD. BLOOMFIELD

IDLER LEVER SUPPORT INSTRUCTION

PASSENGER CAR INSTRUCTION MANUAL										
REF.	DRAWN	CHECKED	SECT.	SHEET						
8					V	F				
7			F							
4-23-56	6	9417			DATE	7-25-55	PART No.	3726600	2	3.00
DATE	SYM.	REVISION RECORD	AUTH.	DR.	CK.					



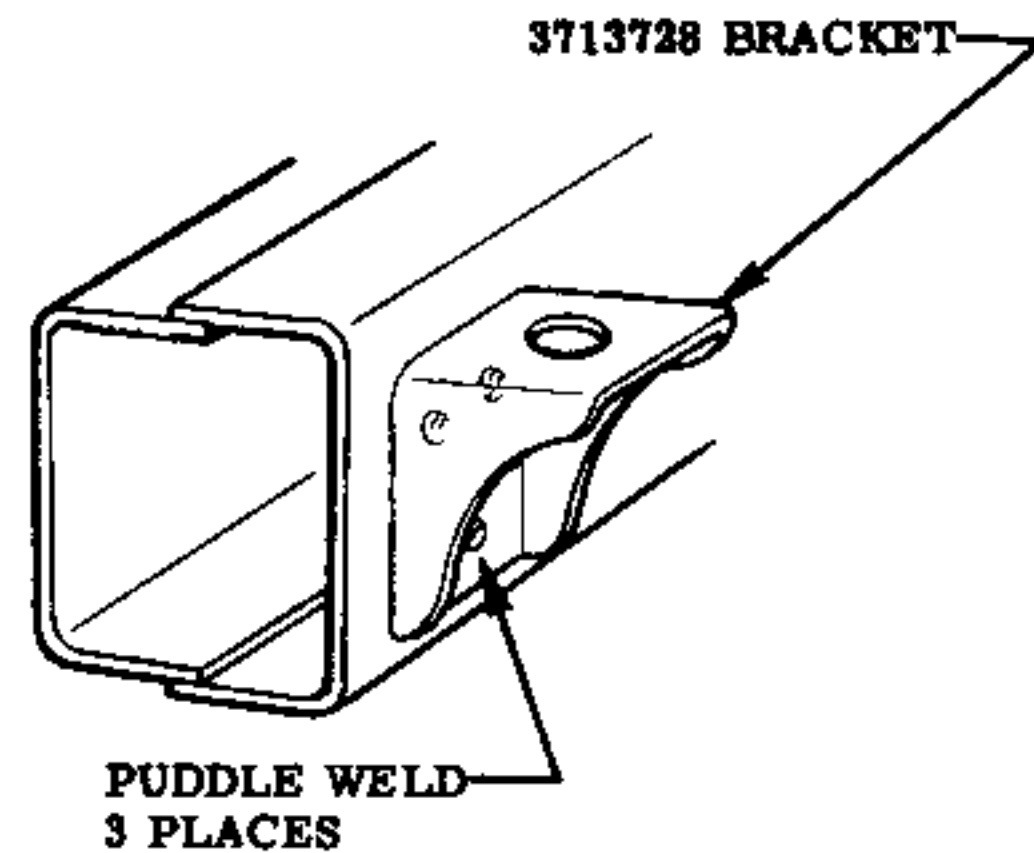
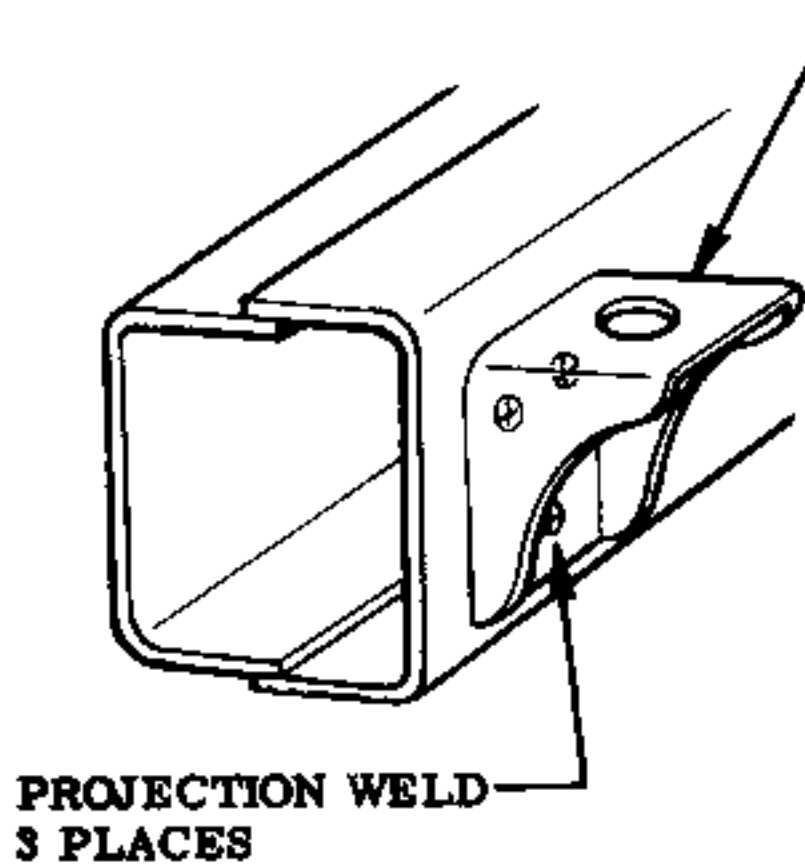
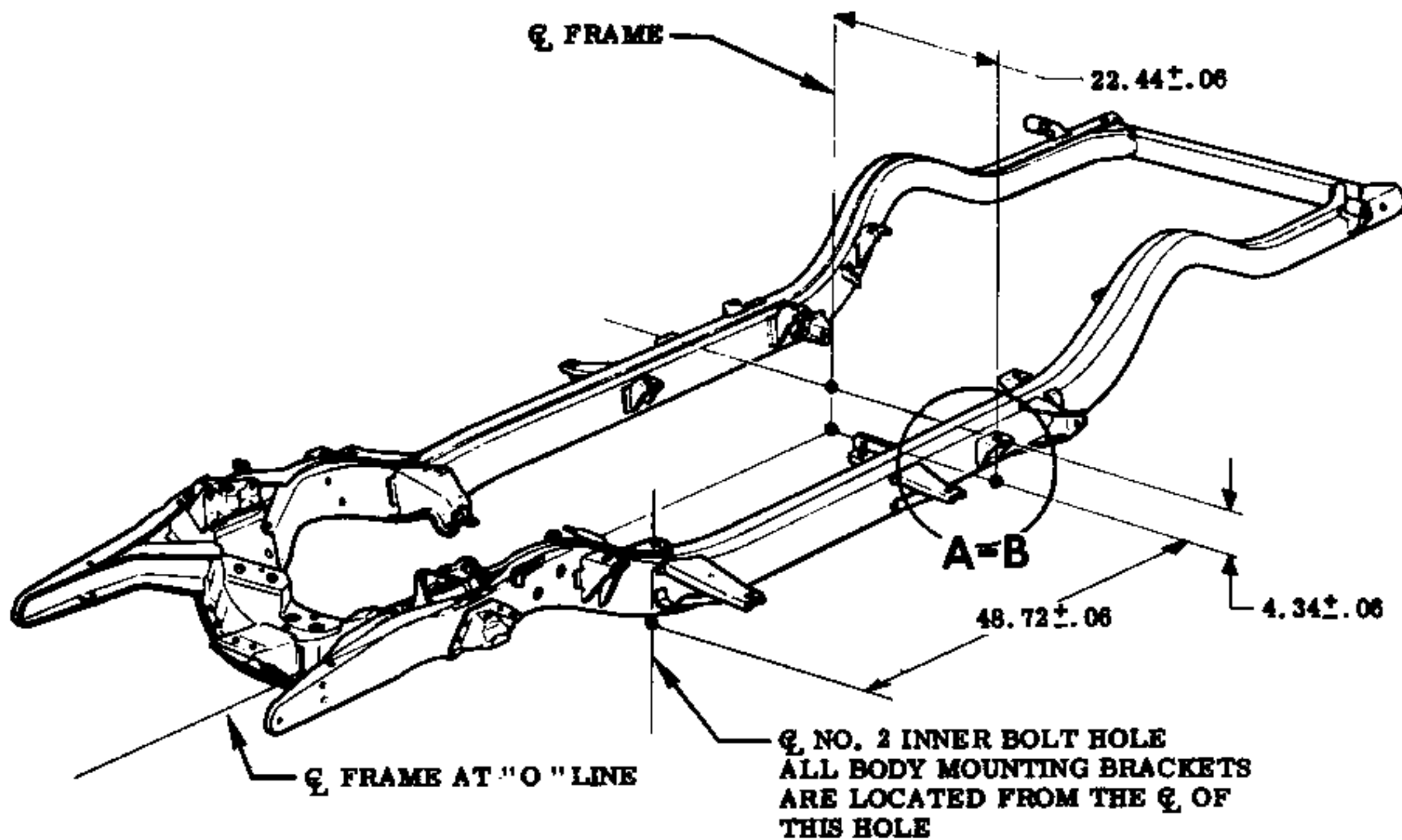
① THESE TWO WELDS MAY BE OPTIONALLY PLACED ON THE UNDERSIDE OF THE BRACKET.



NO.3 OUTER BODY BRACKET INSTRUCTION

**MODELS
4 DOOR SPORT SEDAN**

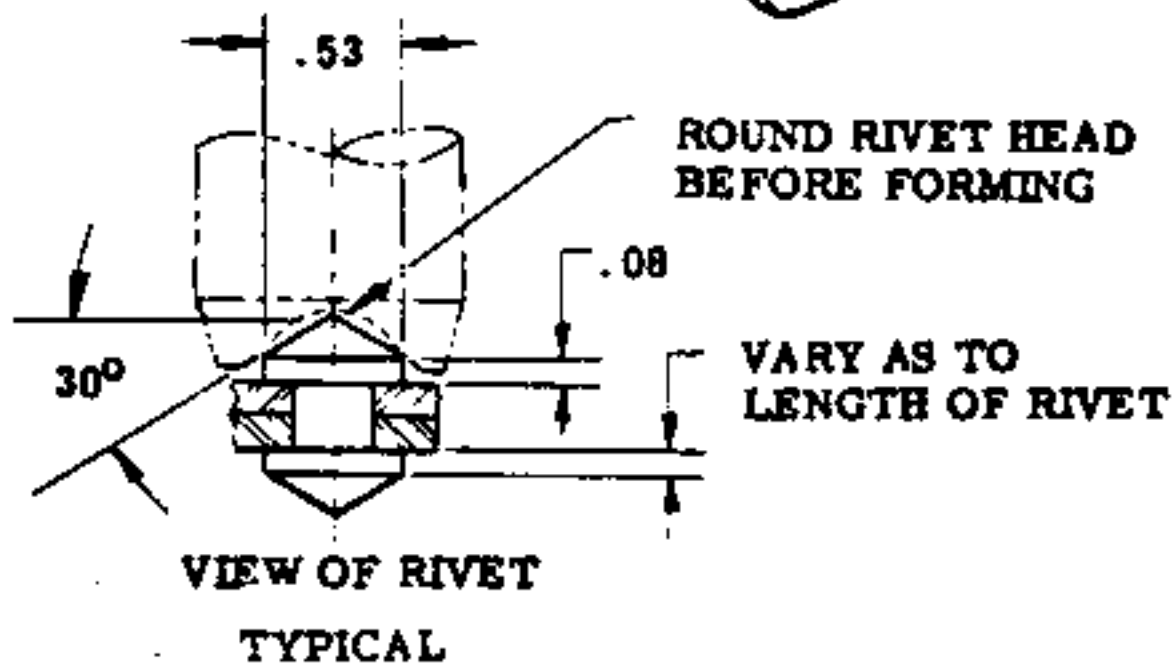
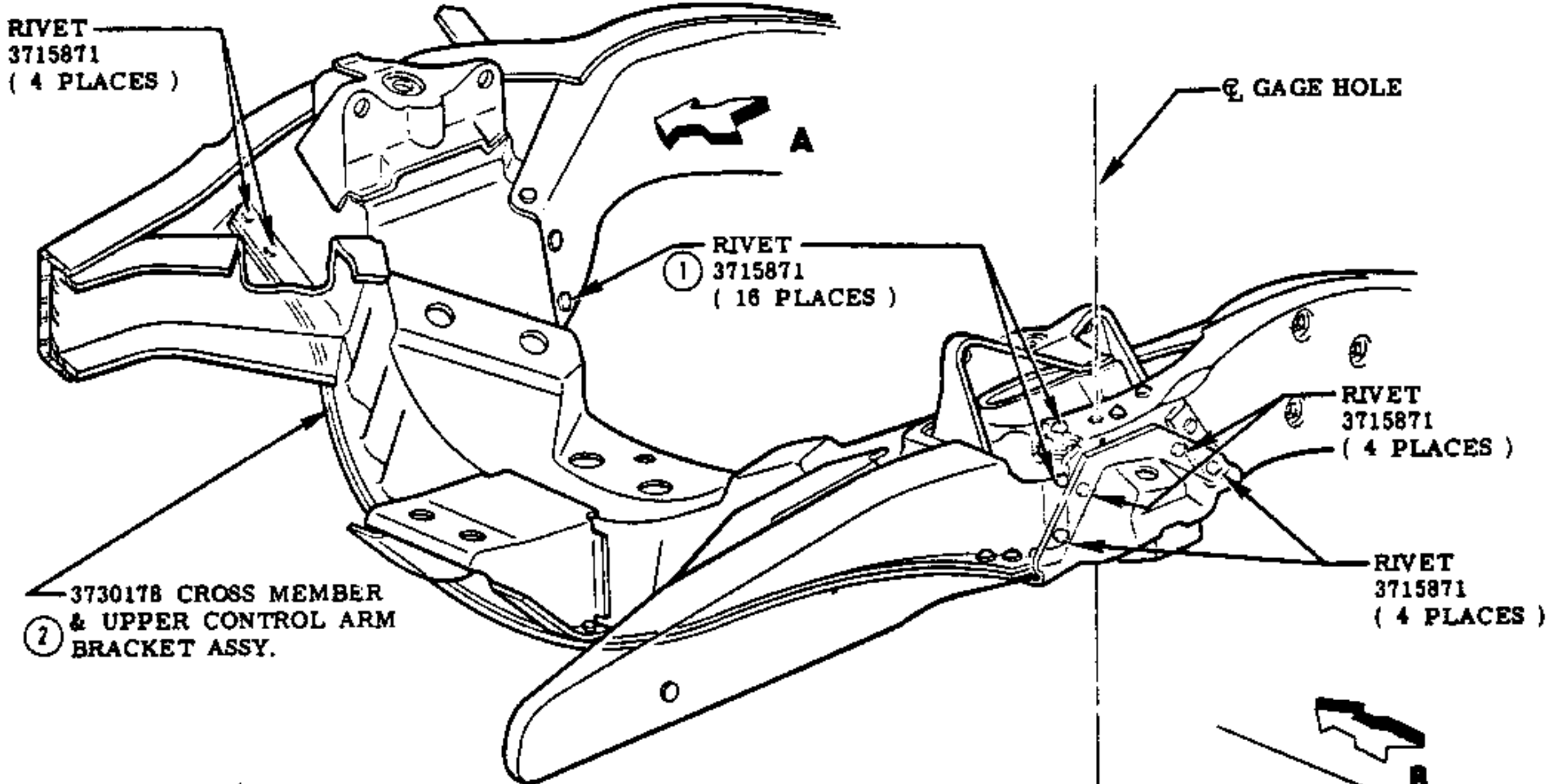
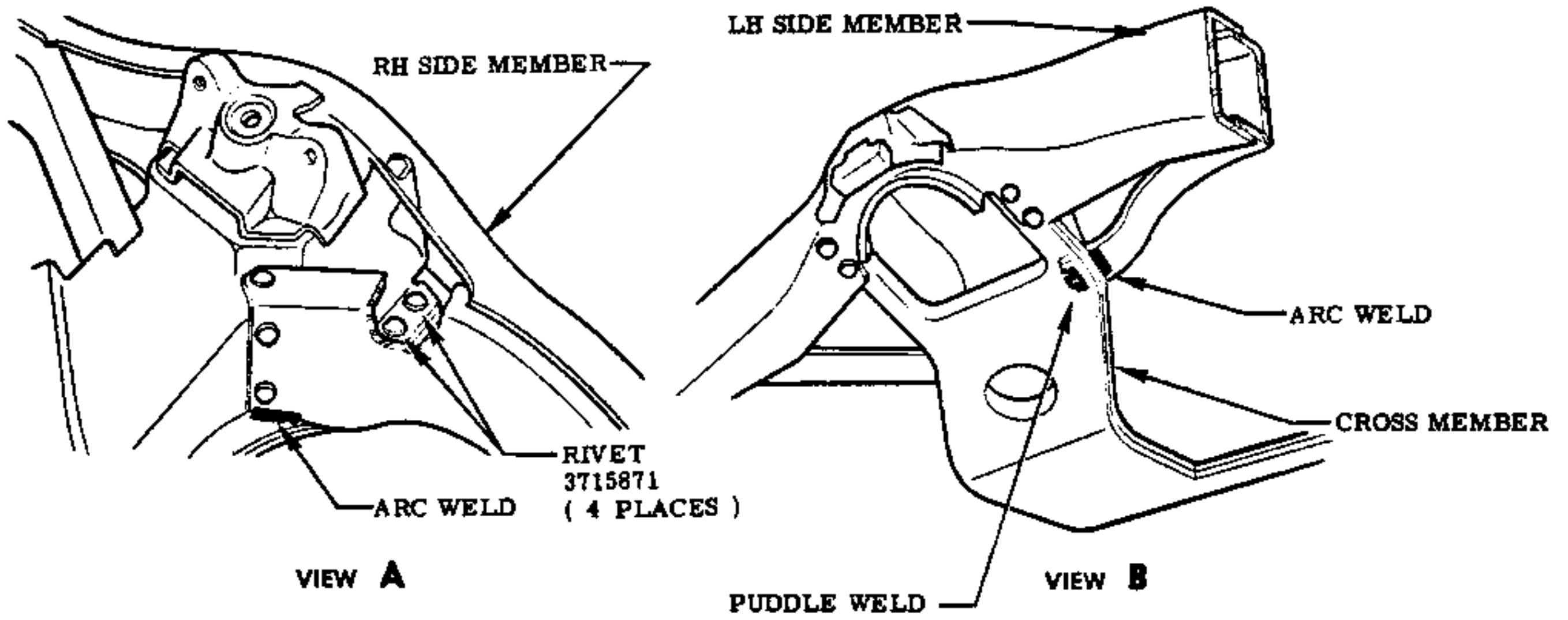
					NAME PASSENGER CAR INSTRUCTION MANUAL				
					REF.	DRAWN	CHECKED F	SECT.	SHEET
					DATE 7-25-55	PART No. 3726600		2	4.00
3-6-58	1	NOTE ADDED	8578	F					
DATE	SYM.	REVISION RECORD	AUTH.	DR.	CK.				



**NO. 3-A
BODY BRACKET INSTRUCTION**

**MODELS
SPORT COUPE**

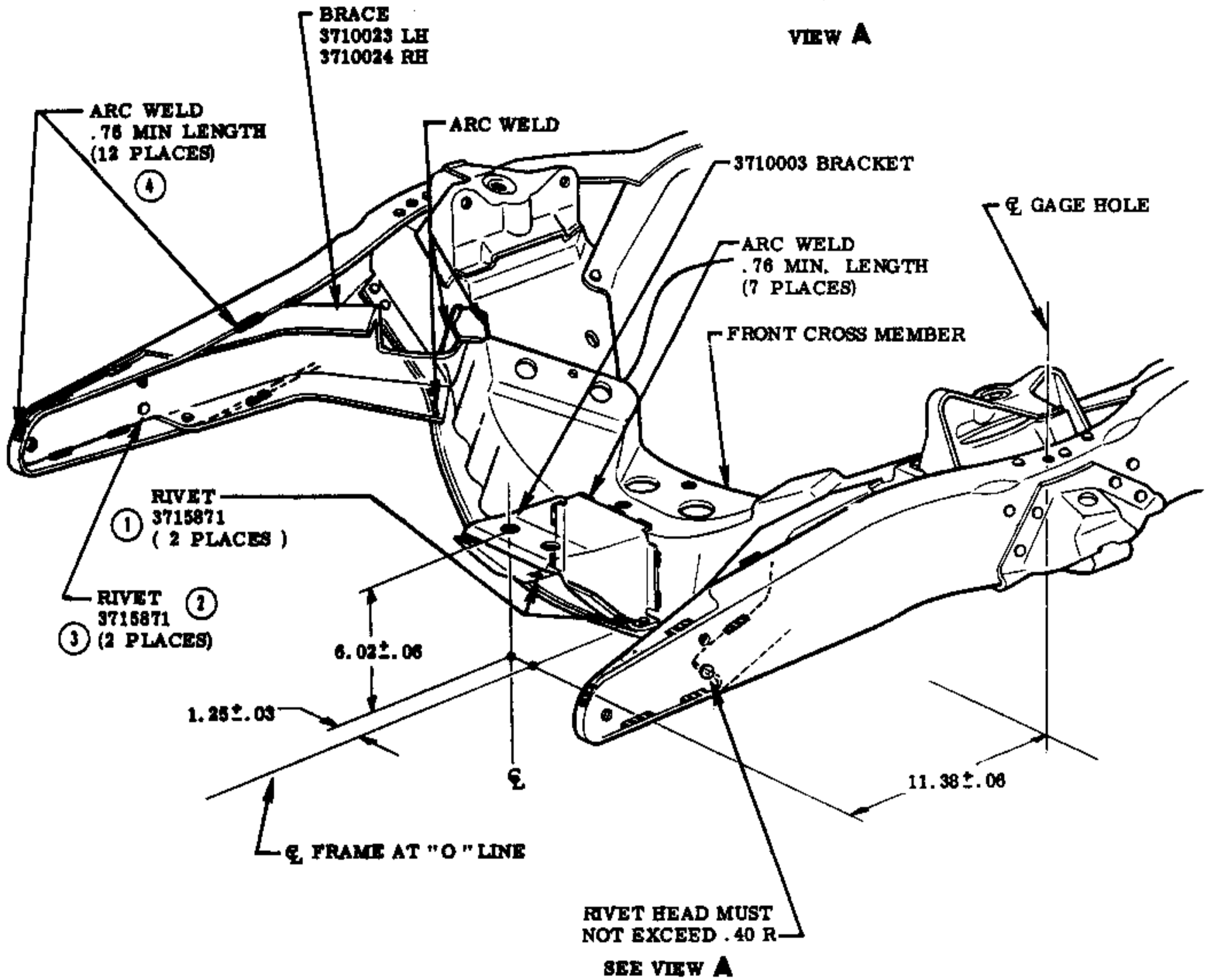
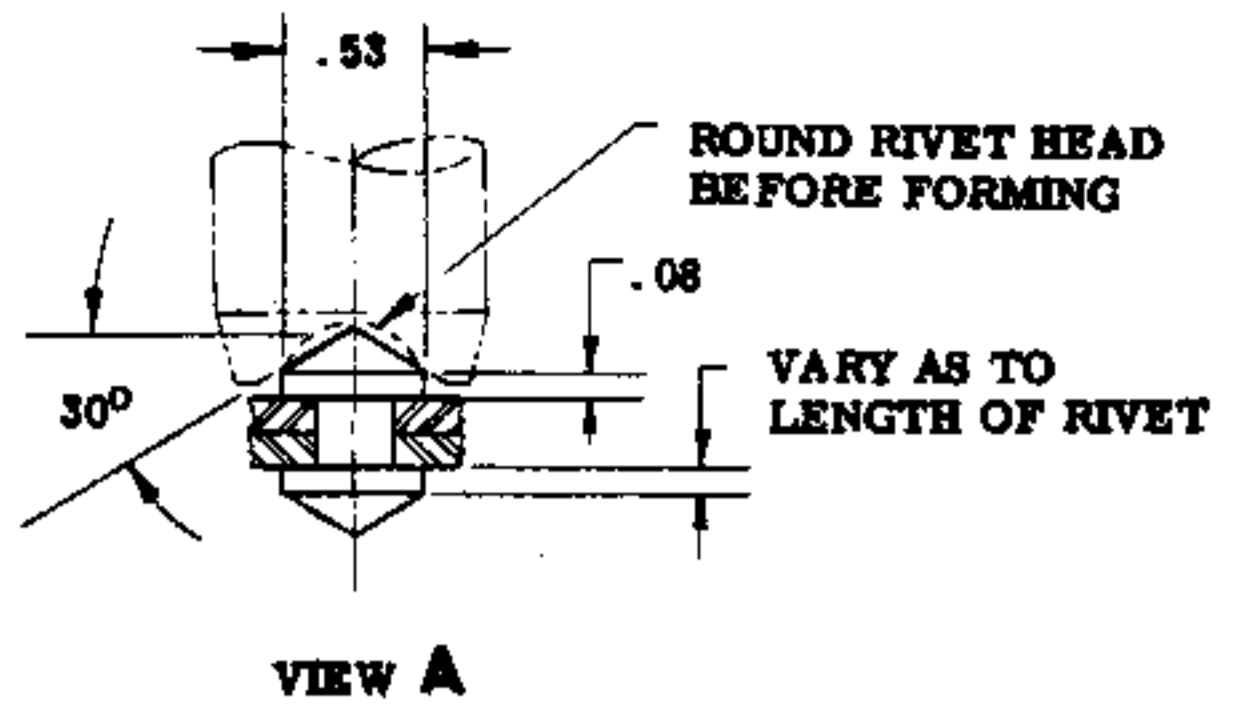
						NAME	PASSENGER CAR INSTRUCTION MANUAL				
						REF.	DRAWN	CHECKED	F	SECT.	SHEET
						DATE	PART No.			2	5.00
DATE	SYM.	REVISION RECORD	AUTH.	DR.	CK.	7-25-55	3726600				



FRONT CROSS MEMBER INSTRUCTION

MODELS
ALL
CKD BLOOMFIELD

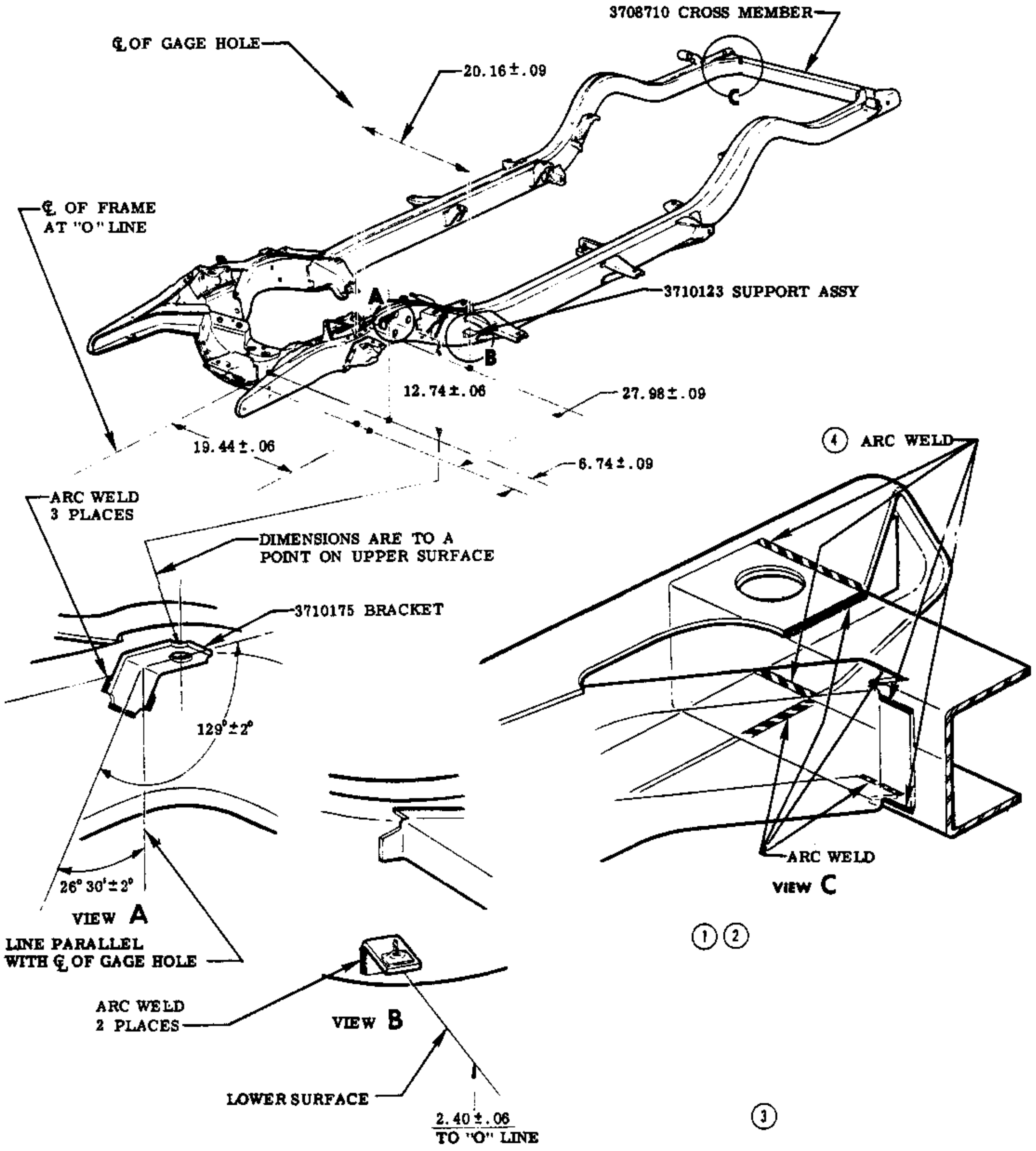
					NAME PASSENGER CAR INSTRUCTION MANUAL				
					REF.	DRAWN	CHECKED	SECT.	SHEET
	2	WAS 3712427	2593	F			F		
	1	443655 OPT REMOVED							
10-18-55		(5 PLACES)	2992		DATE	PART No.		2	6.00
DATE	SYM.	REVISION RECORD	AUTH.	DR.	CL.	7-25-55	3726600		



CROSS MEMBER BRACE & RADIATOR SUPPORT INSTRUCTION

MODELS
ALL
CKD BLOOMFIELD

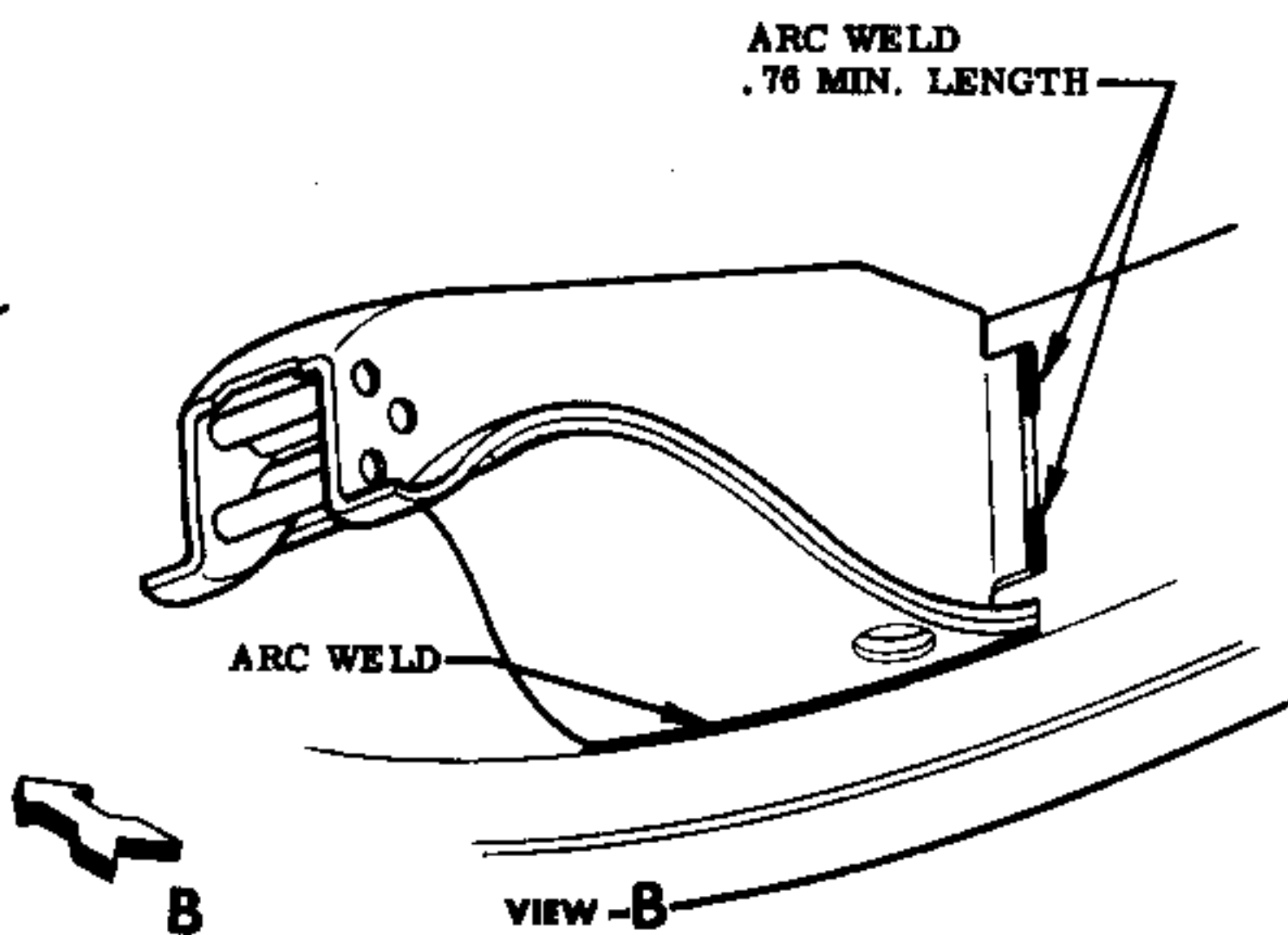
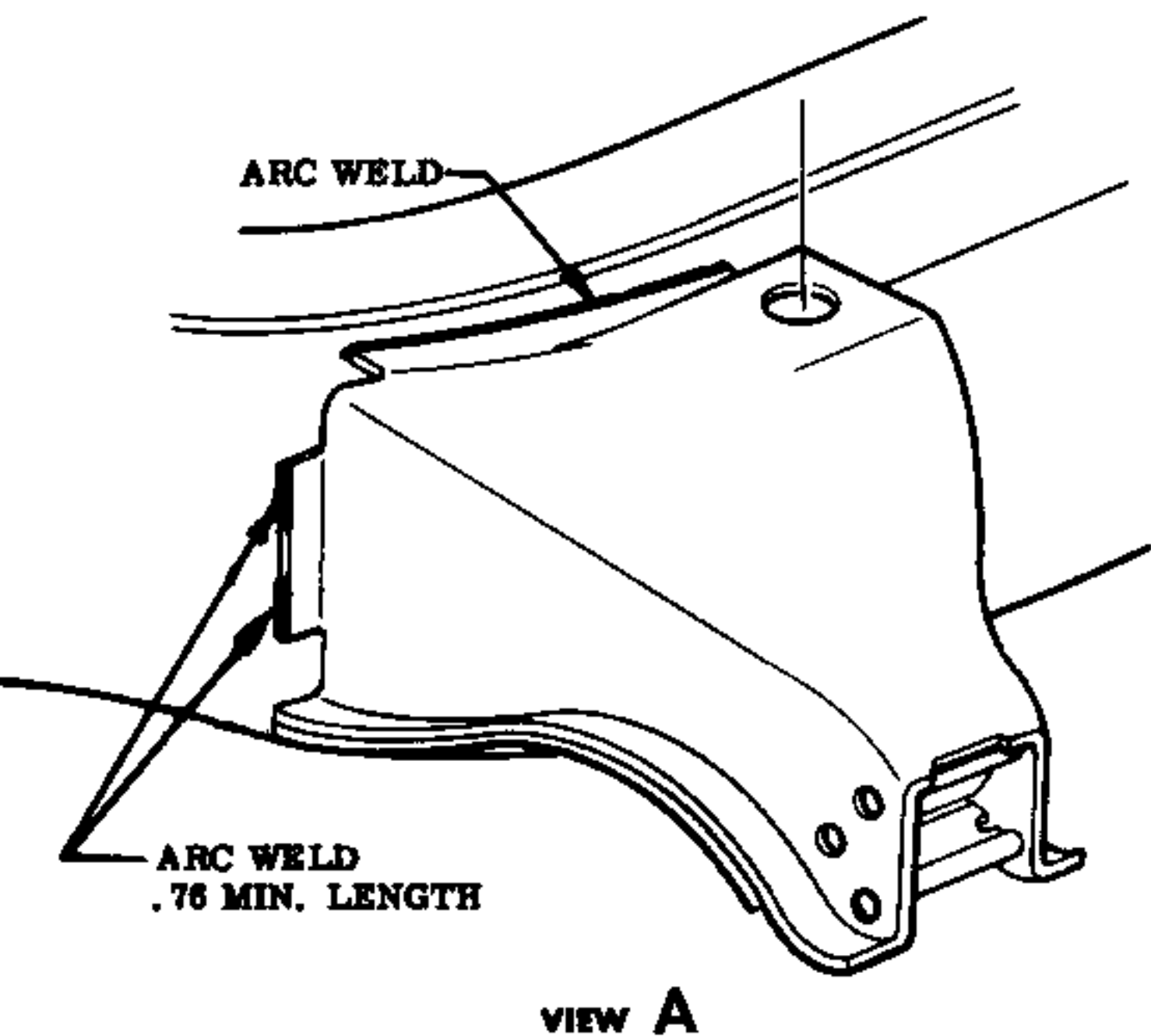
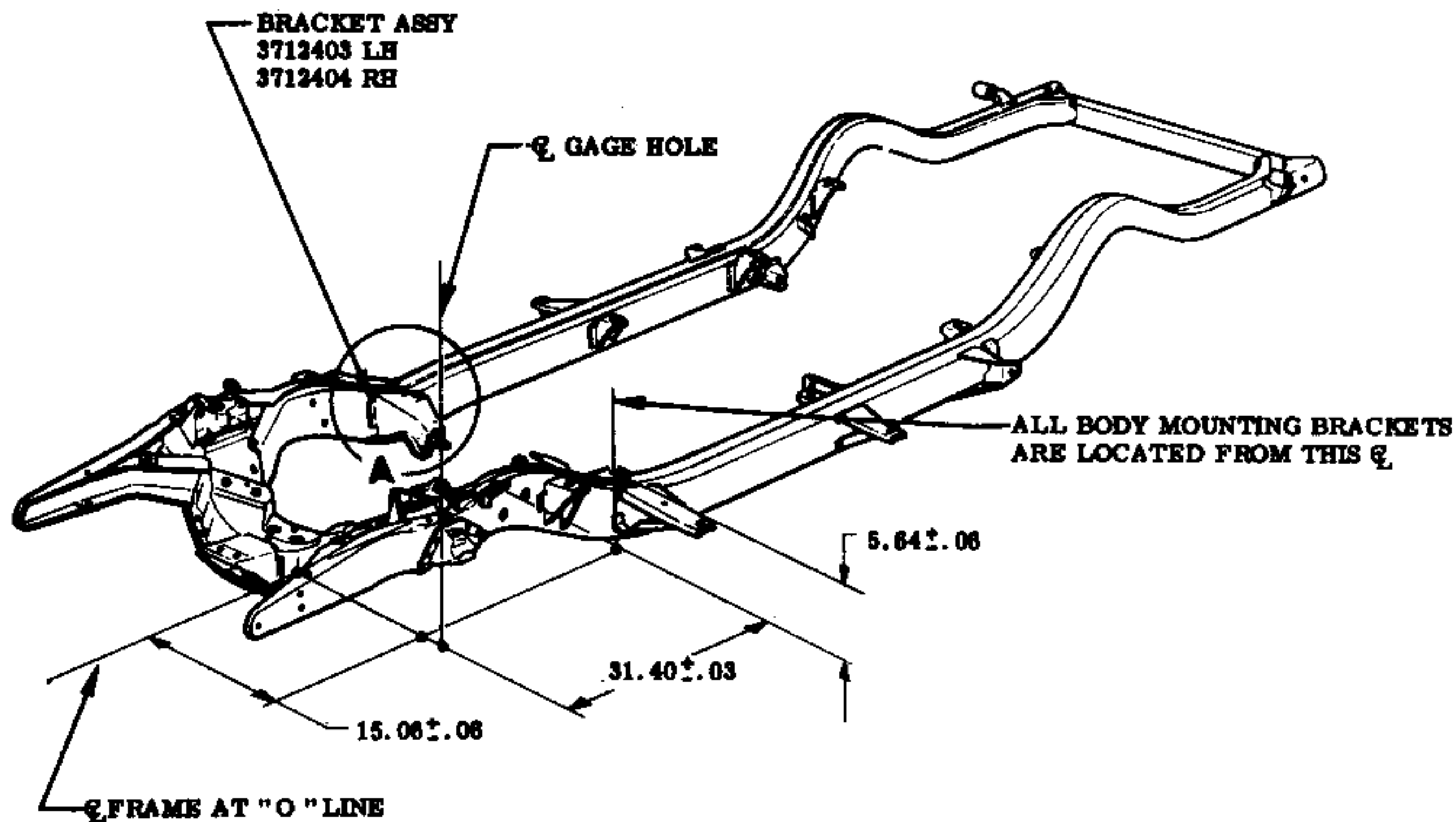
REVISION RECORD						PASSENGER CAR INSTRUCTION MANUAL				
DATE	SYM.	REVISION RECORD	AUTH.	DR.	CK.	REF.	DRAWN	CHECKED	SECT.	SHEET
	4	WAS (4 PLACES)			F					
3-27-56	3	WAS (6 PLACES)	7314							
	2	443655 - OPT REMOVED			F					
10-18-55	1	443655 - OPT REMOVED	2992			DATE	PART No.		2	7.00
						7-25-55	3726600			



BRAKE HOSE BRACKET, FENDER SUPPORT & REAR CROSS MEMBER INSTRUCTION

MODELS
ALL
CKD BLOOMFIELD

	4	WELDING ADDED		V	F	NAME PASSENGER CAR INSTRUCTION MANUAL				
	3	TYPICAL VIEW OF RIVET REMOVED				REF.	DRAWN	CHECKED F	SECT.	SHEET
4-23-56	2	3715871 RIVET REMOVED	8123			DATE	PART No.		2	8.00
10-18-55	1	443655 OPT REMOVED	2992		F	7-25-55	3726600			
DATE	SYM.	REVISION RECORD	AUTH.	DR.	CK.					

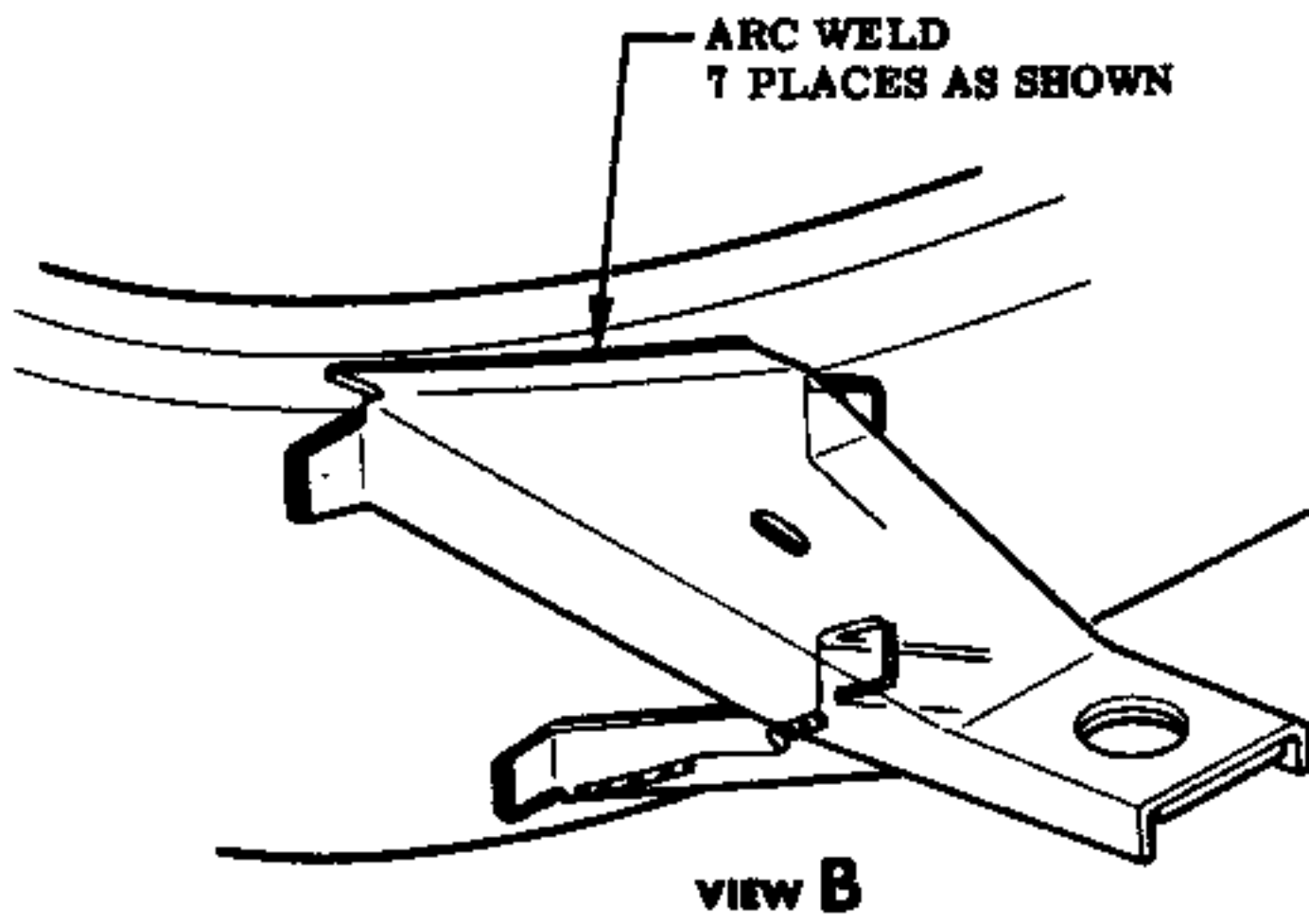
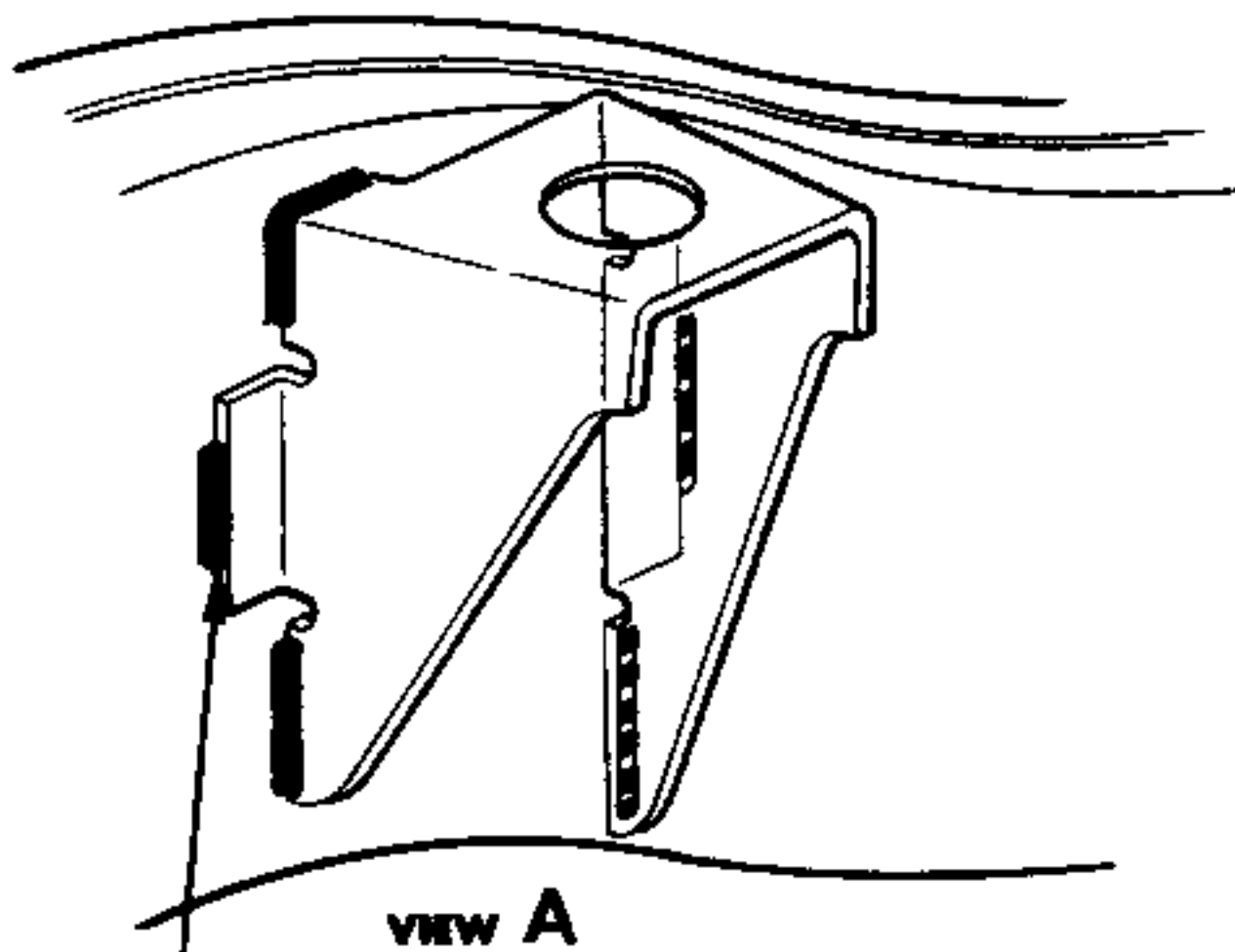
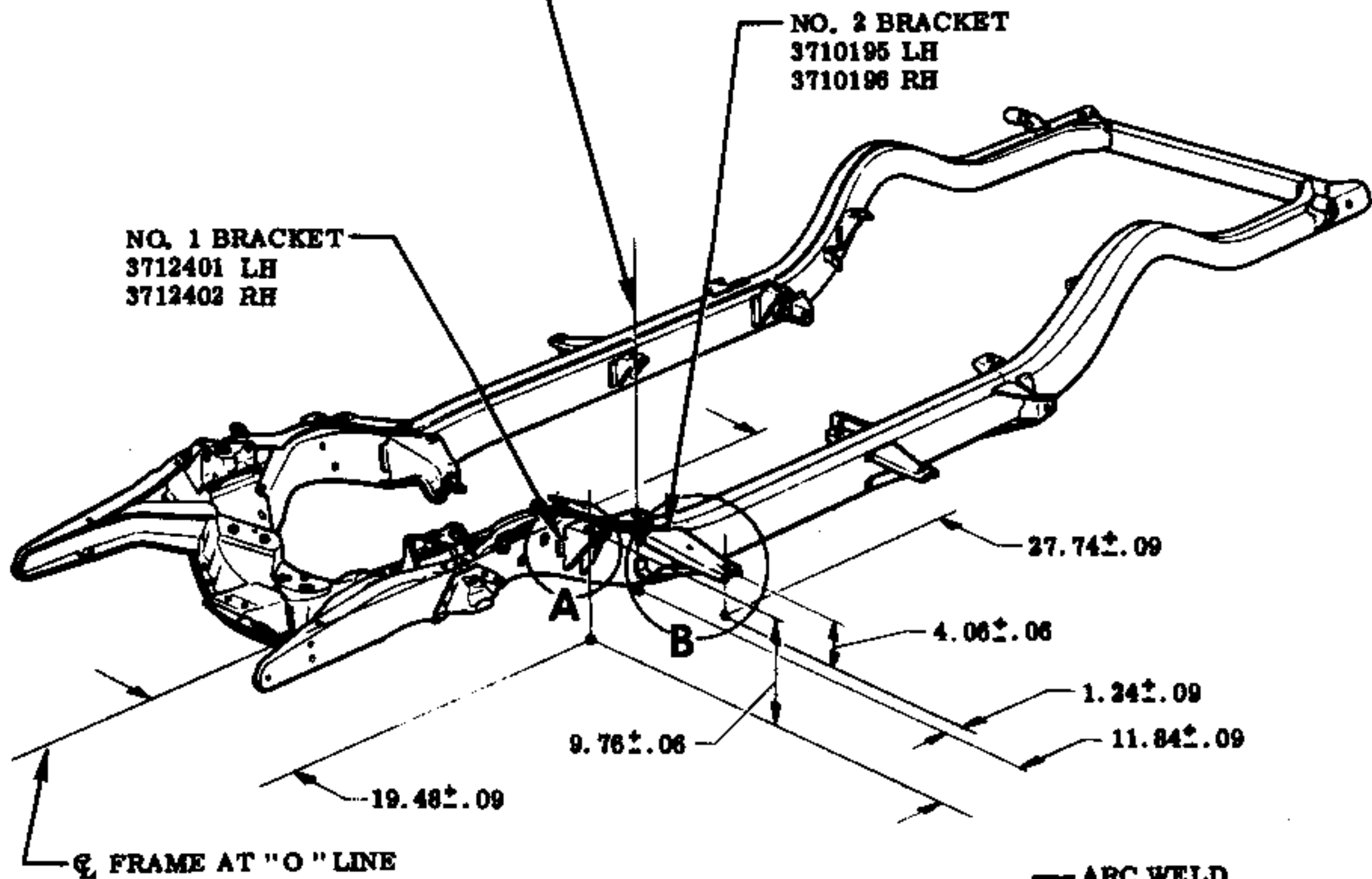


ENGINE REAR MOUNTING FRAME BRACKET INSTRUCTION

MODELS
ALL
CKD BLOOMFIELD

						NAME	PASSENGER CAR INSTRUCTION MANUAL				
						REF.	DRAWN	CHECKED	F	SECT.	SHEET
						DATE	PART No.			2	9.00
DATE	SYM.	REVISION RECORD	AUTH.	DR.	CK.	7-25-55	3726600				

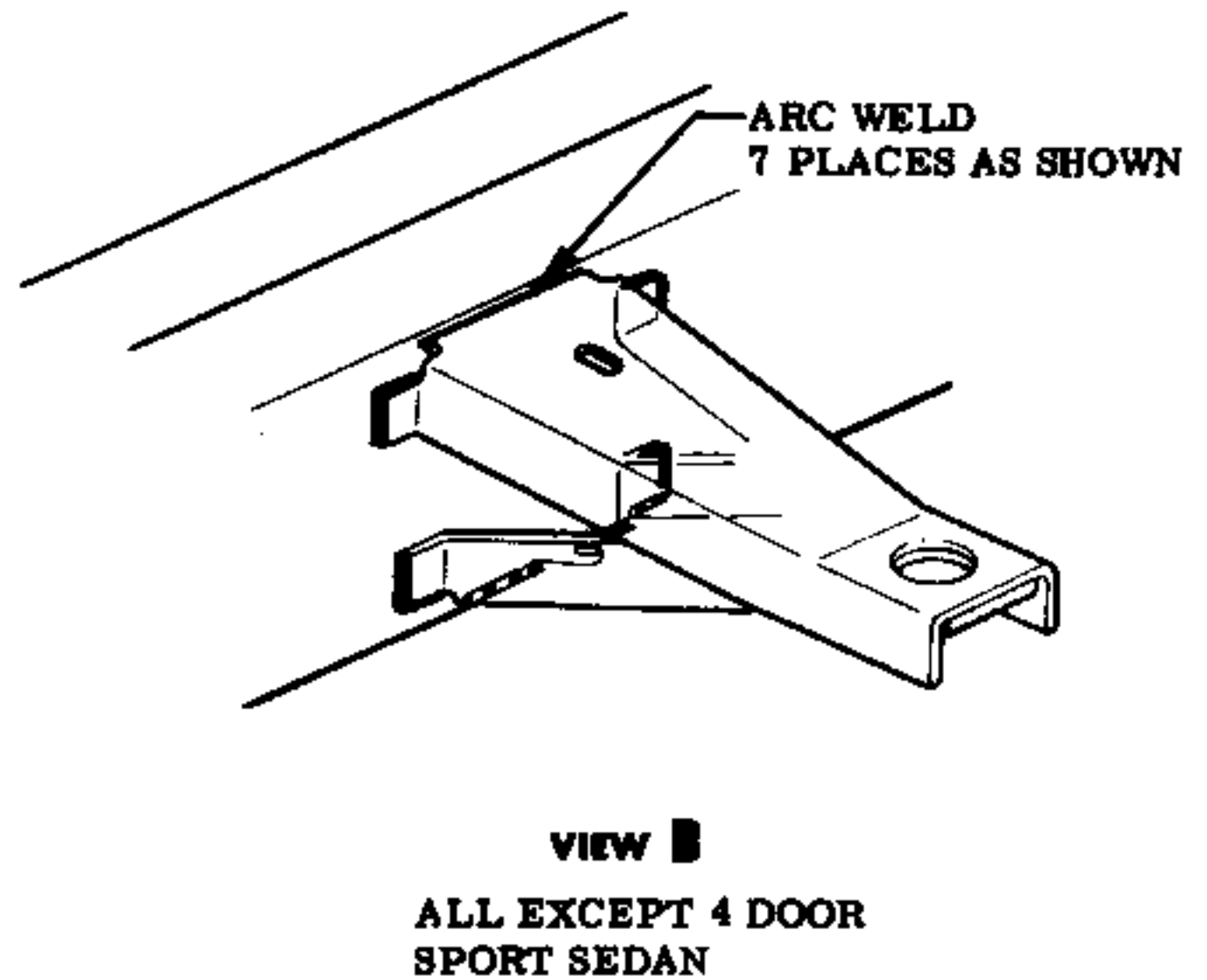
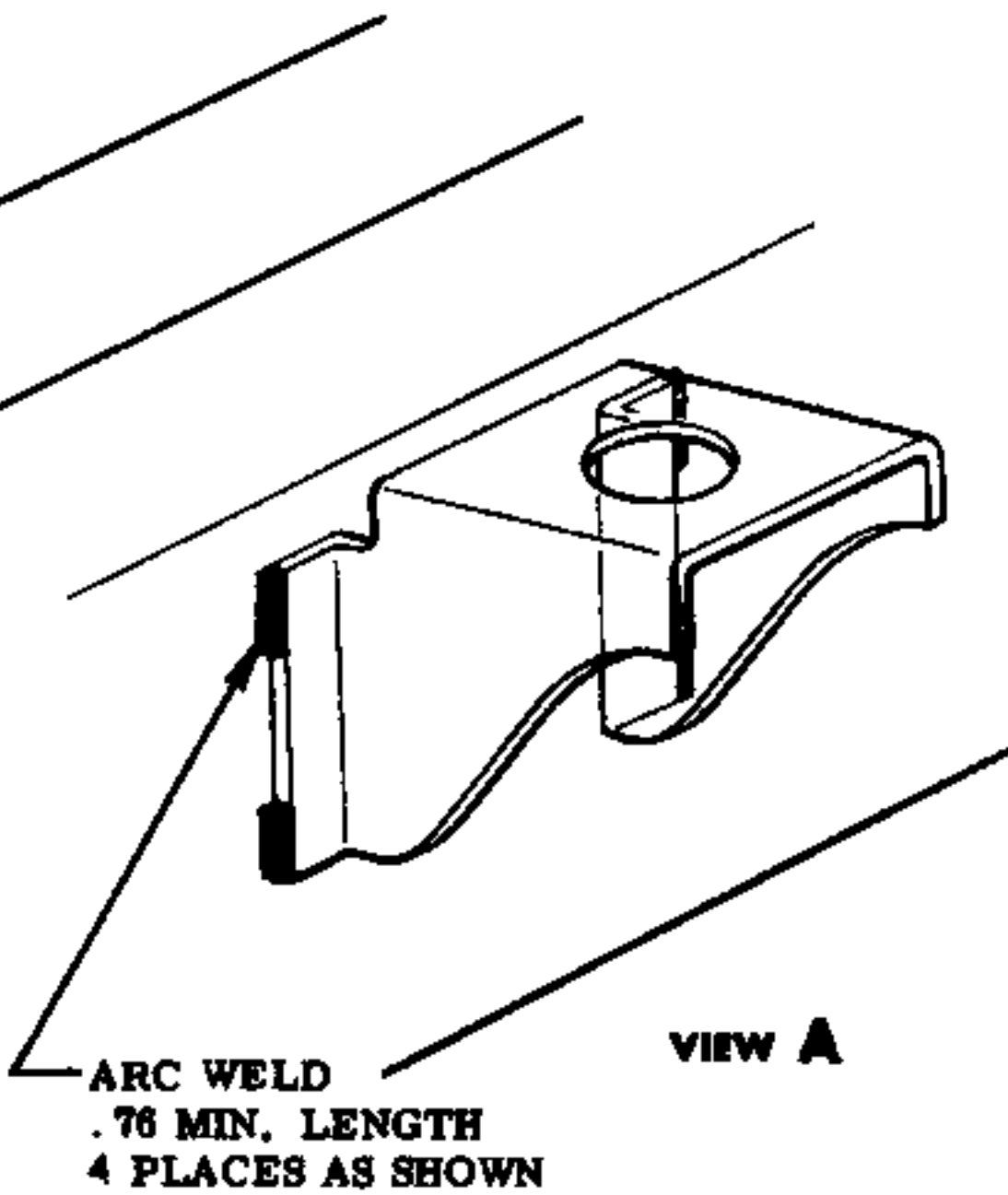
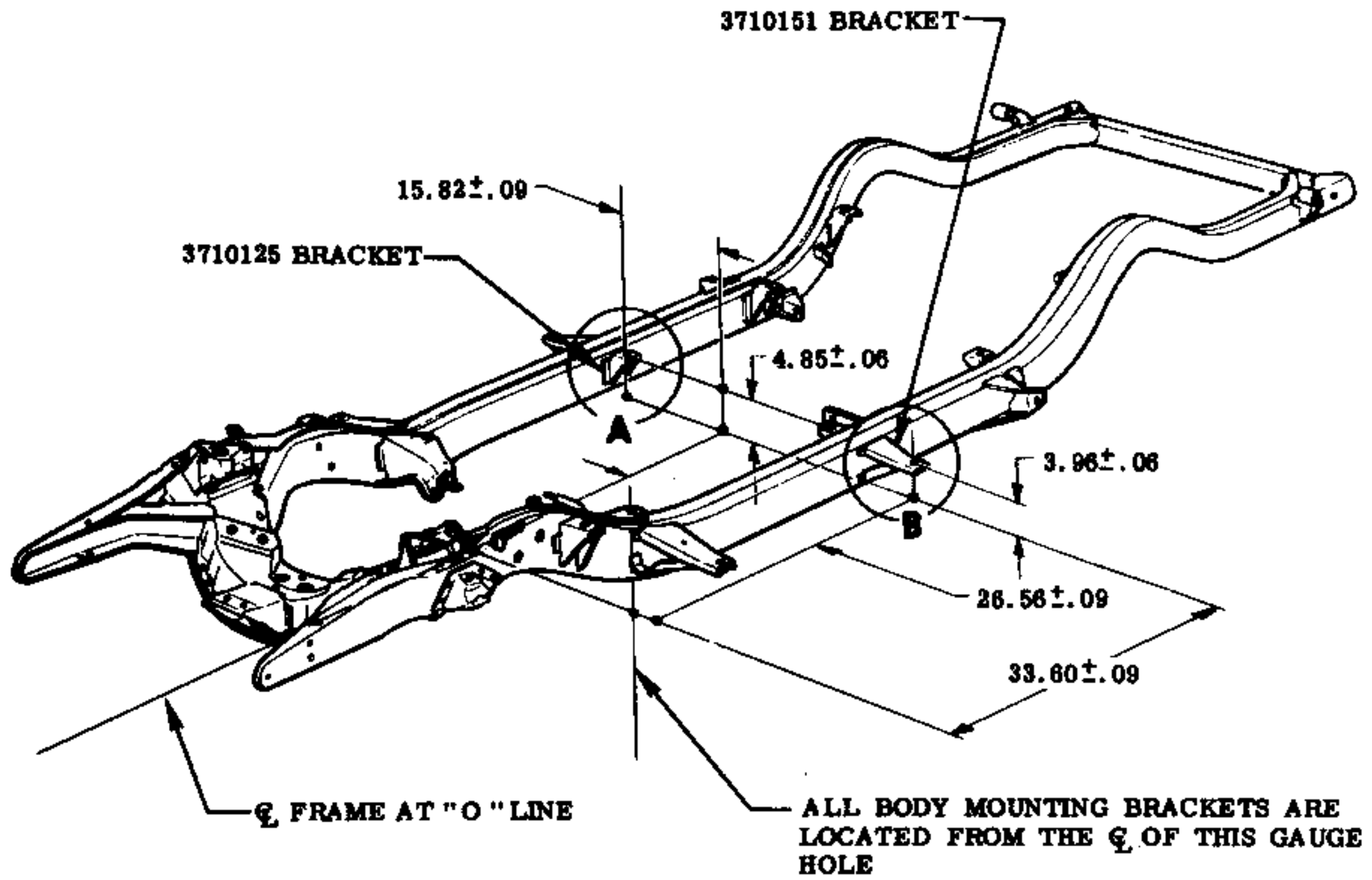
ALL BODY MOUNTING BRACKETS ARE LOCATED FROM THE ϕ OF THIS GAUGE HOLE



NO. 1 & NO. 2 BODY BRACKET INSTRUCTION

MODELS
ALL
CKD BLOOMFIELD

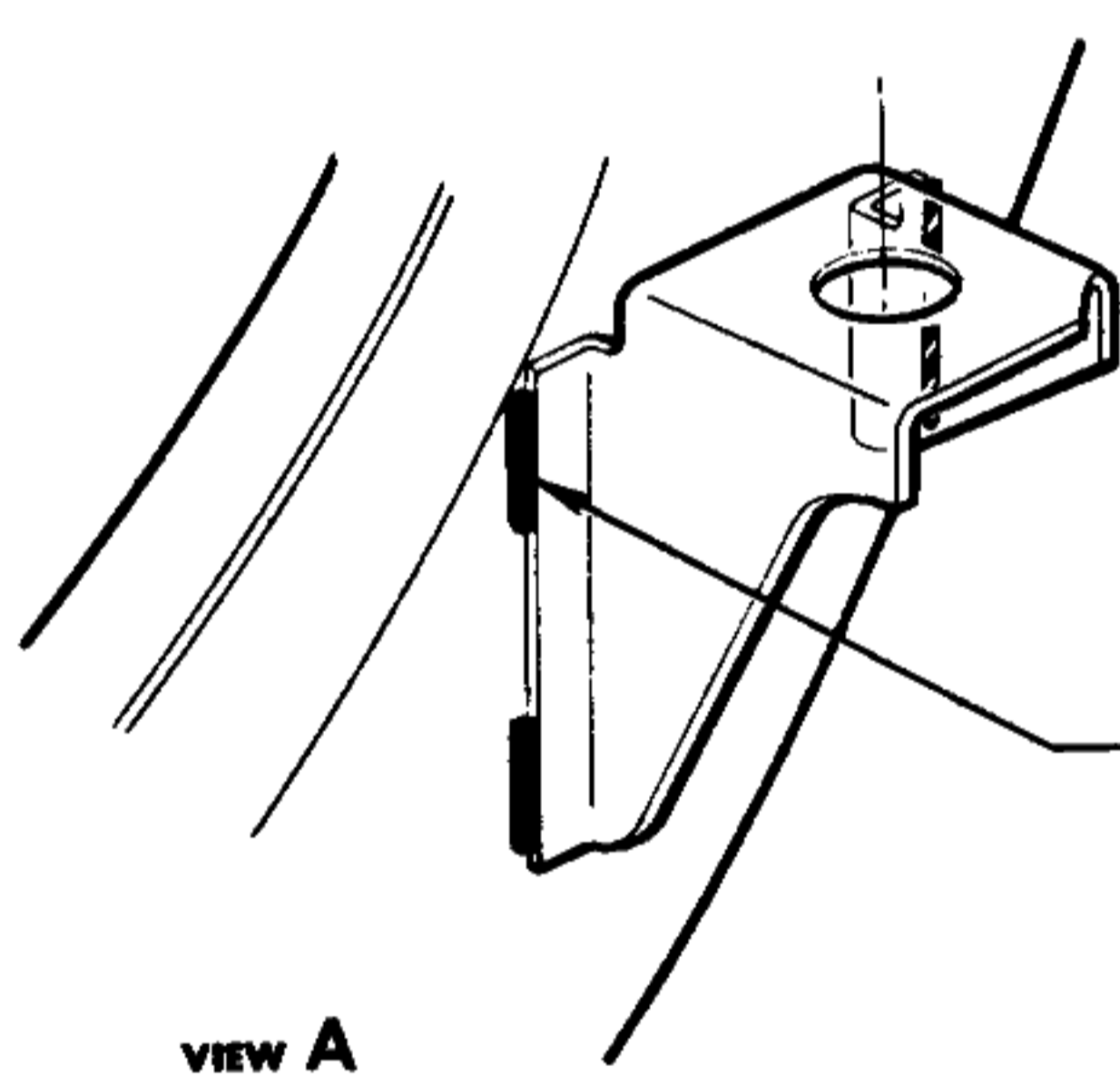
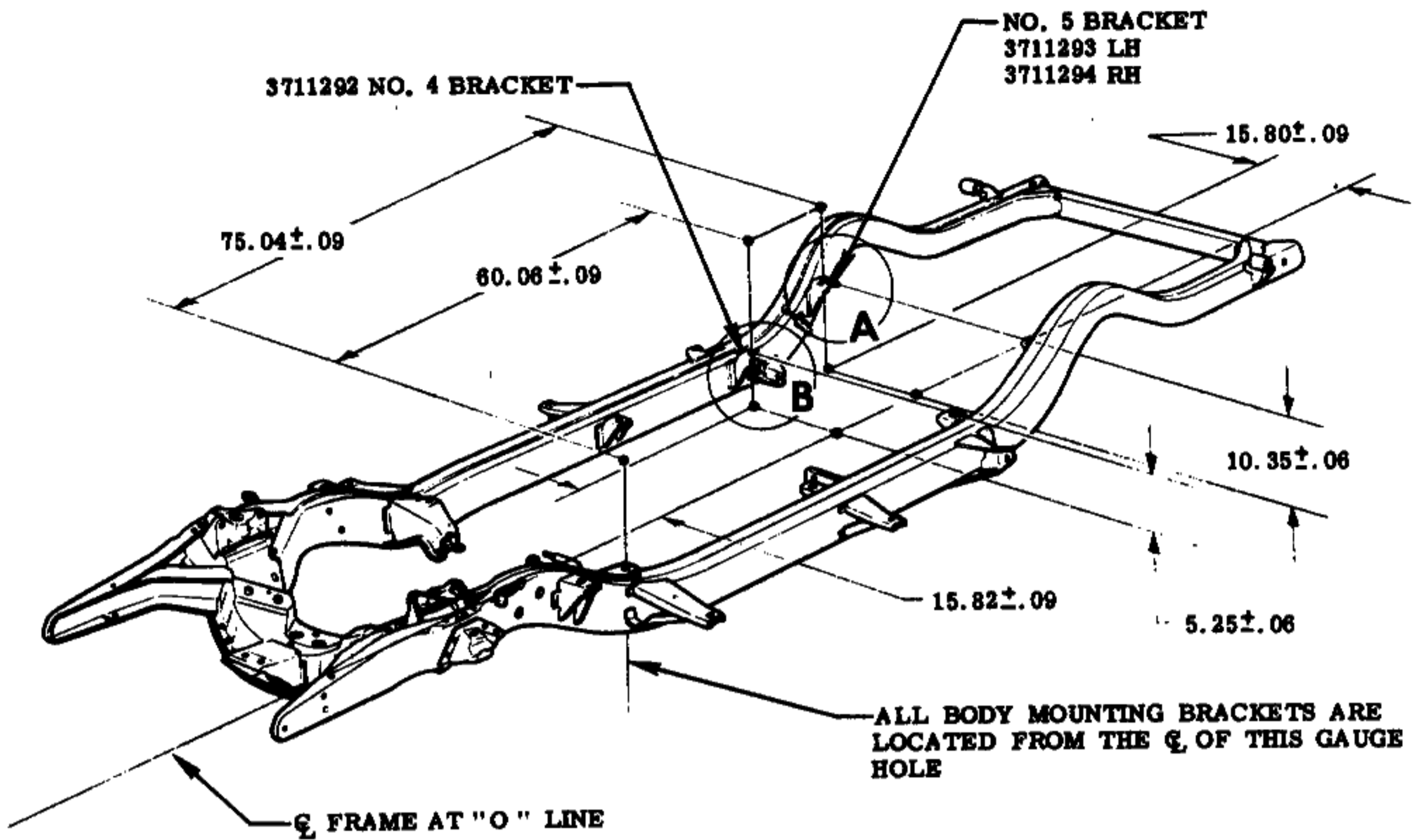
						NAME PASSENGER CAR INSTRUCTION MANUAL				
						REF.	DRAWN	CHECKED F	SECT.	SHEET
						DATE	PART No.			
DATE	SYM.	REVISION RECORD	AUTH.	DR.	CK.	7-25-55	3726600			2 10.00



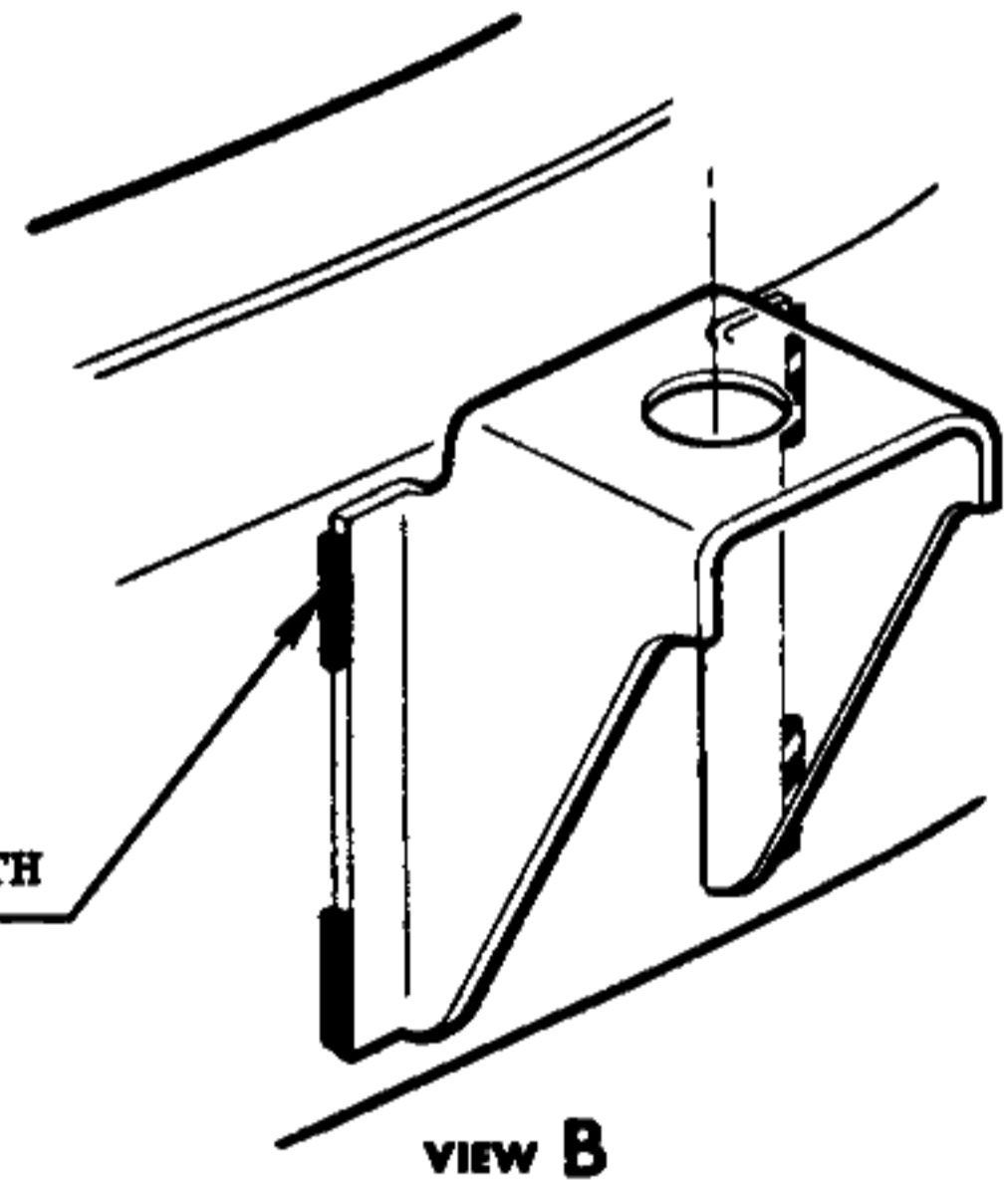
NO. 3 INNER & OUTER BODY BRACKET INSTRUCTION

MODELS
ALL
CKD BLOOMFIELD

						NAME	PASSENGER CAR INSTRUCTION MANUAL				
						REF.	DRAWN	CHECKED	F	SECT.	SHEET
						DATE	PART No.	3726600		2	11.00
DATE	SYM.	REVISION RECORD	AUTH.	DR.	CK.	7-25-55					



VIEW A



VIEW B

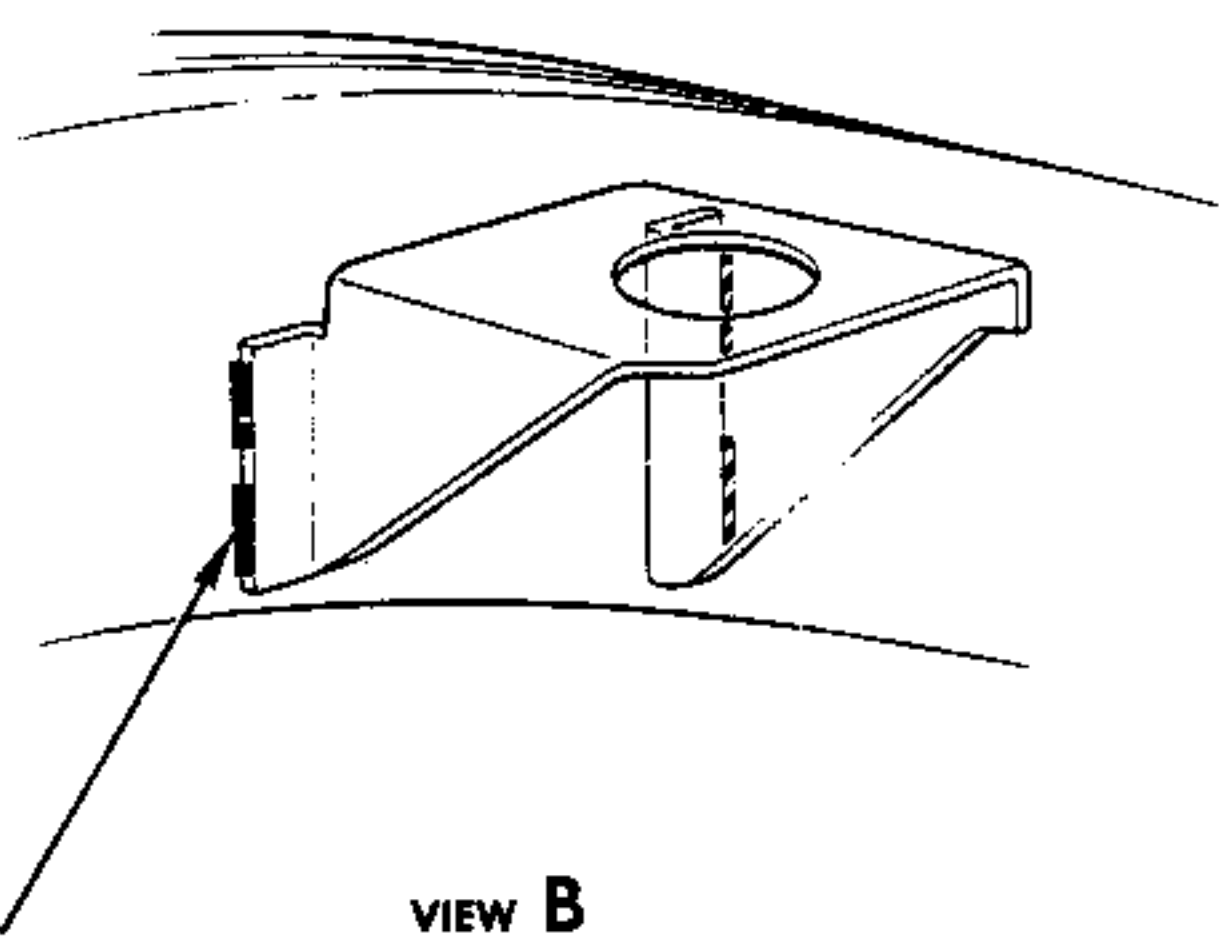
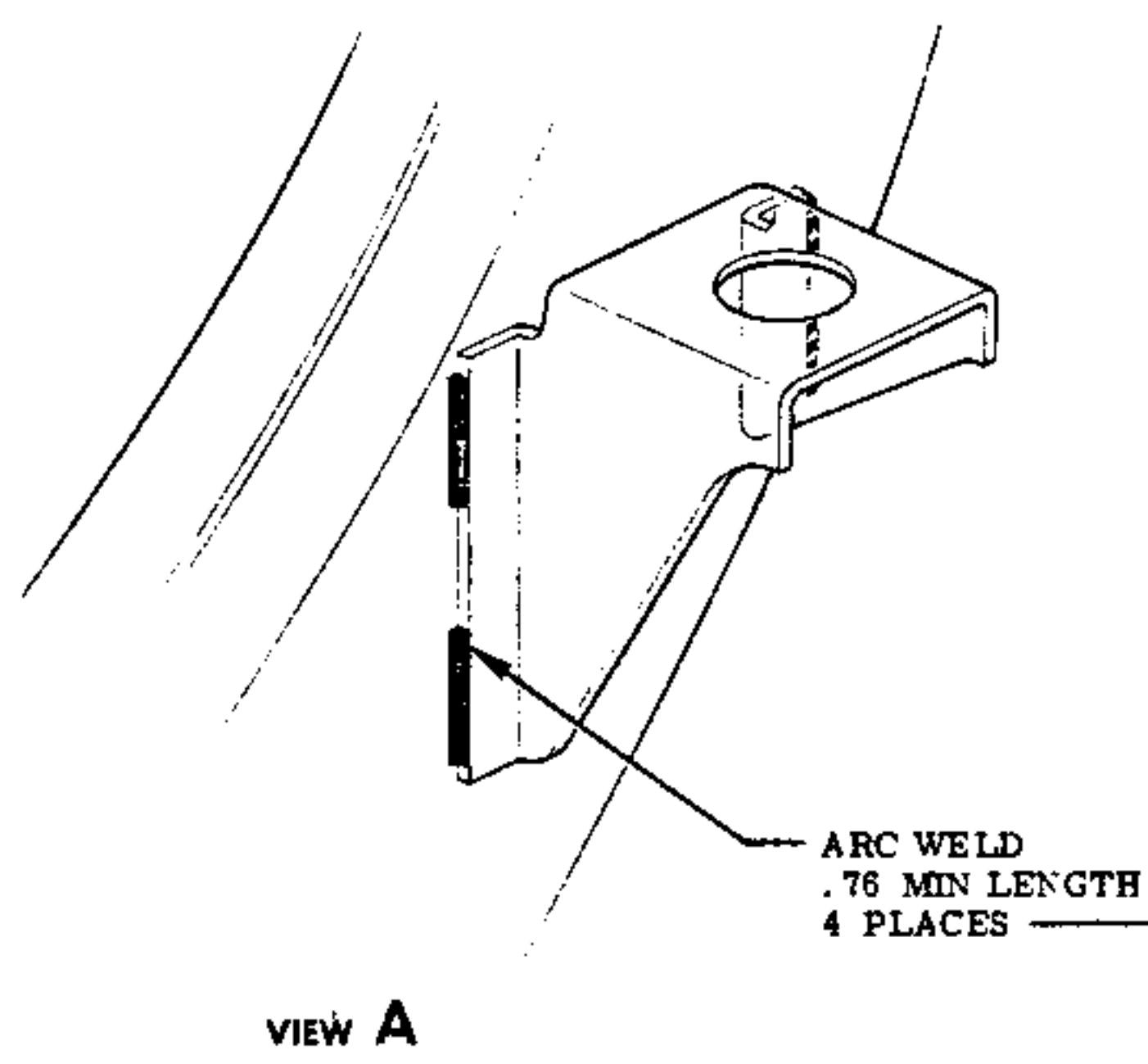
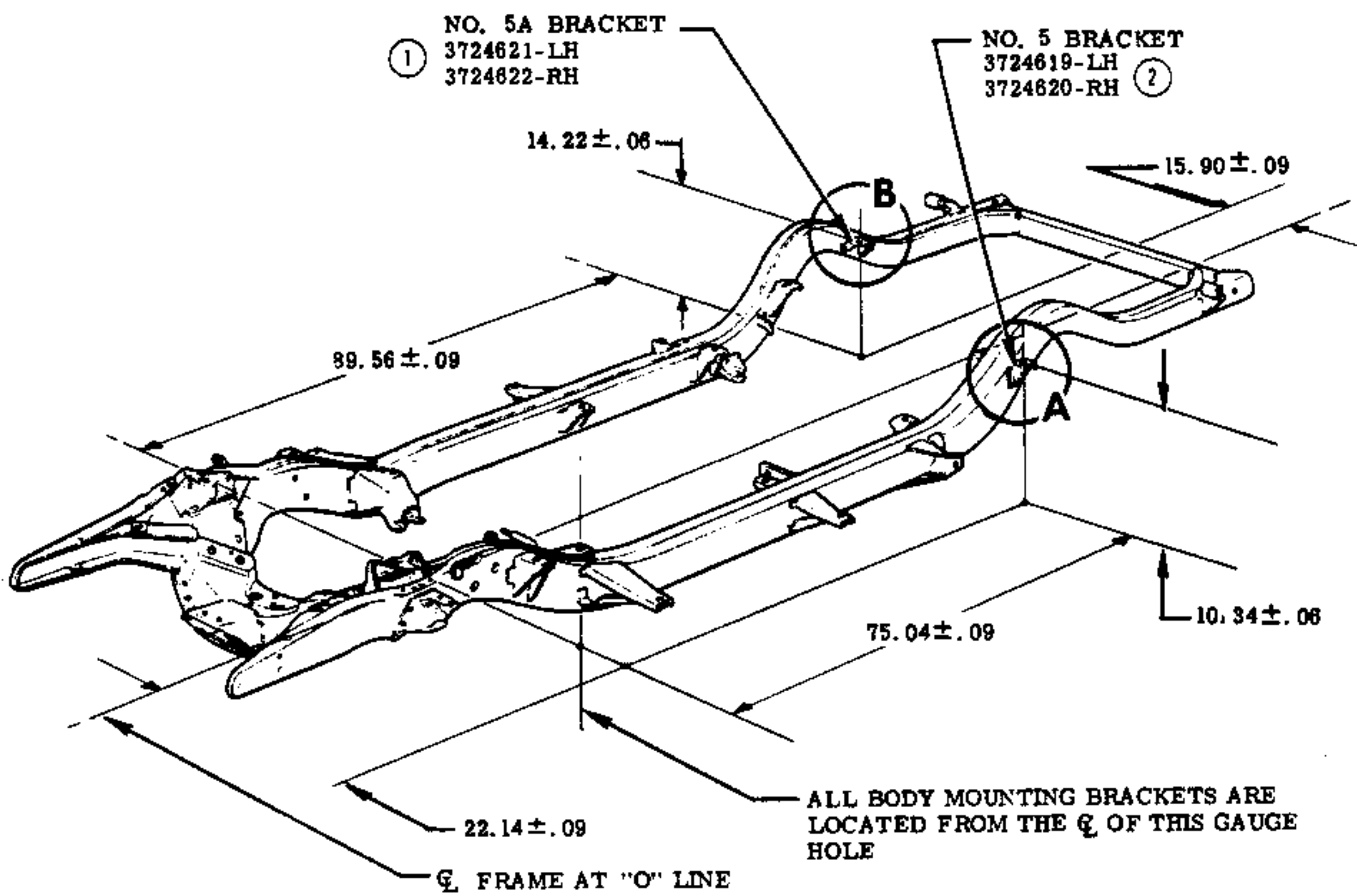
ARC WELD
.76 MIN. LENGTH
4 PLACES

ALL EXCEPT 9 PASSENGER
STATION WAGON

**NO. 4 & NO. 5 INNER BODY BRACKET
INSTRUCTION**

MODELS
ALL
CKD BLOOMFIELD

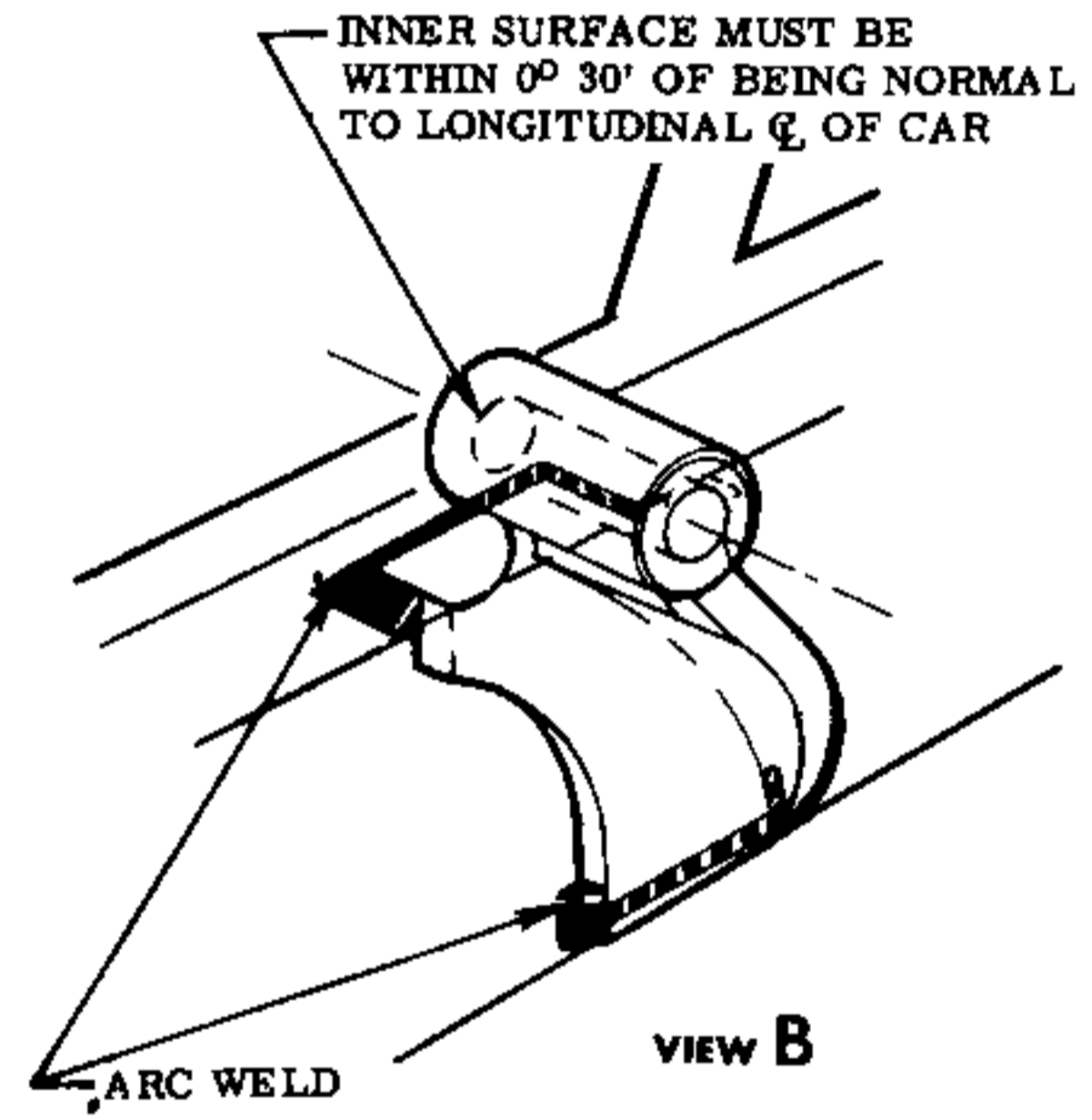
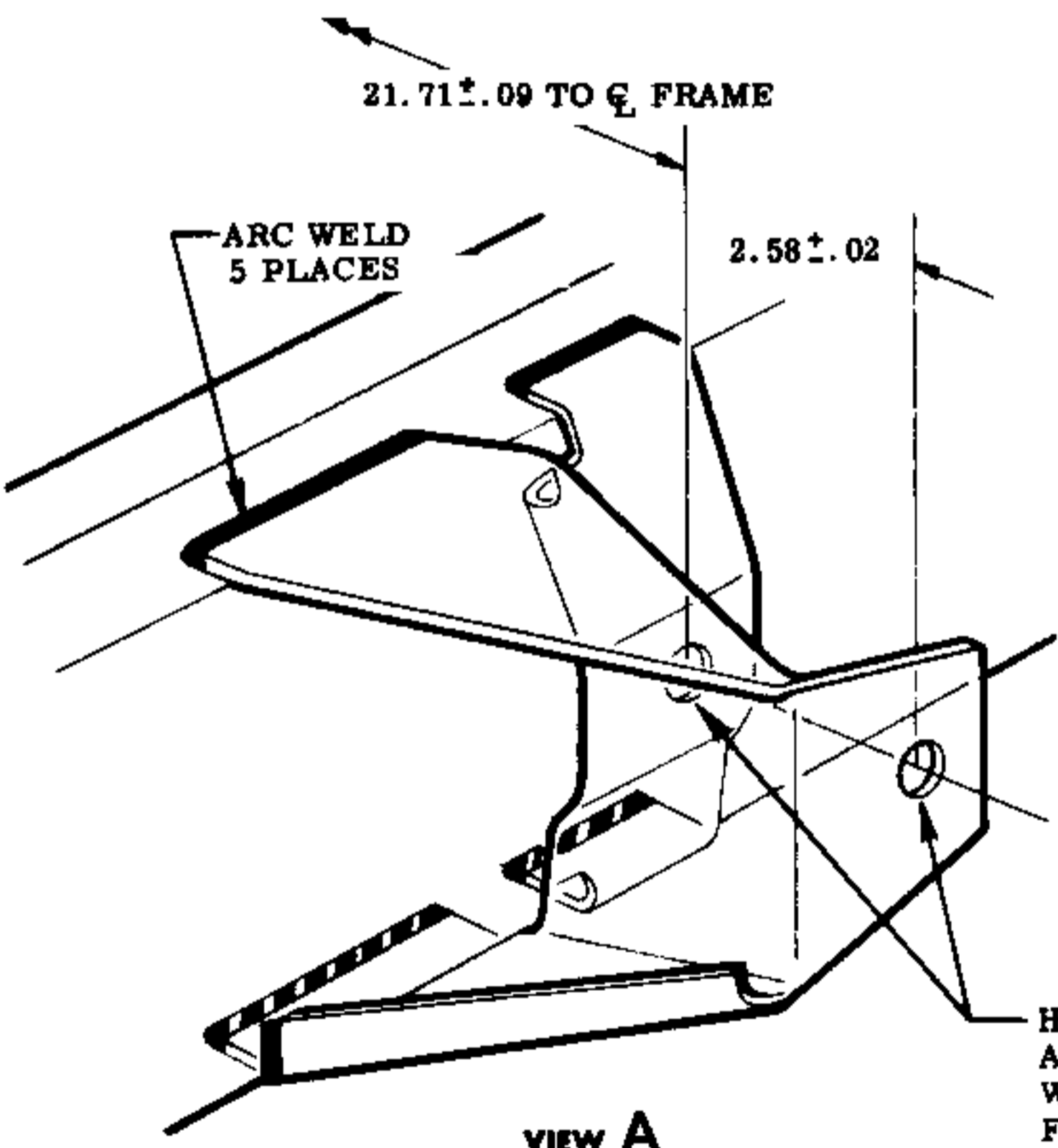
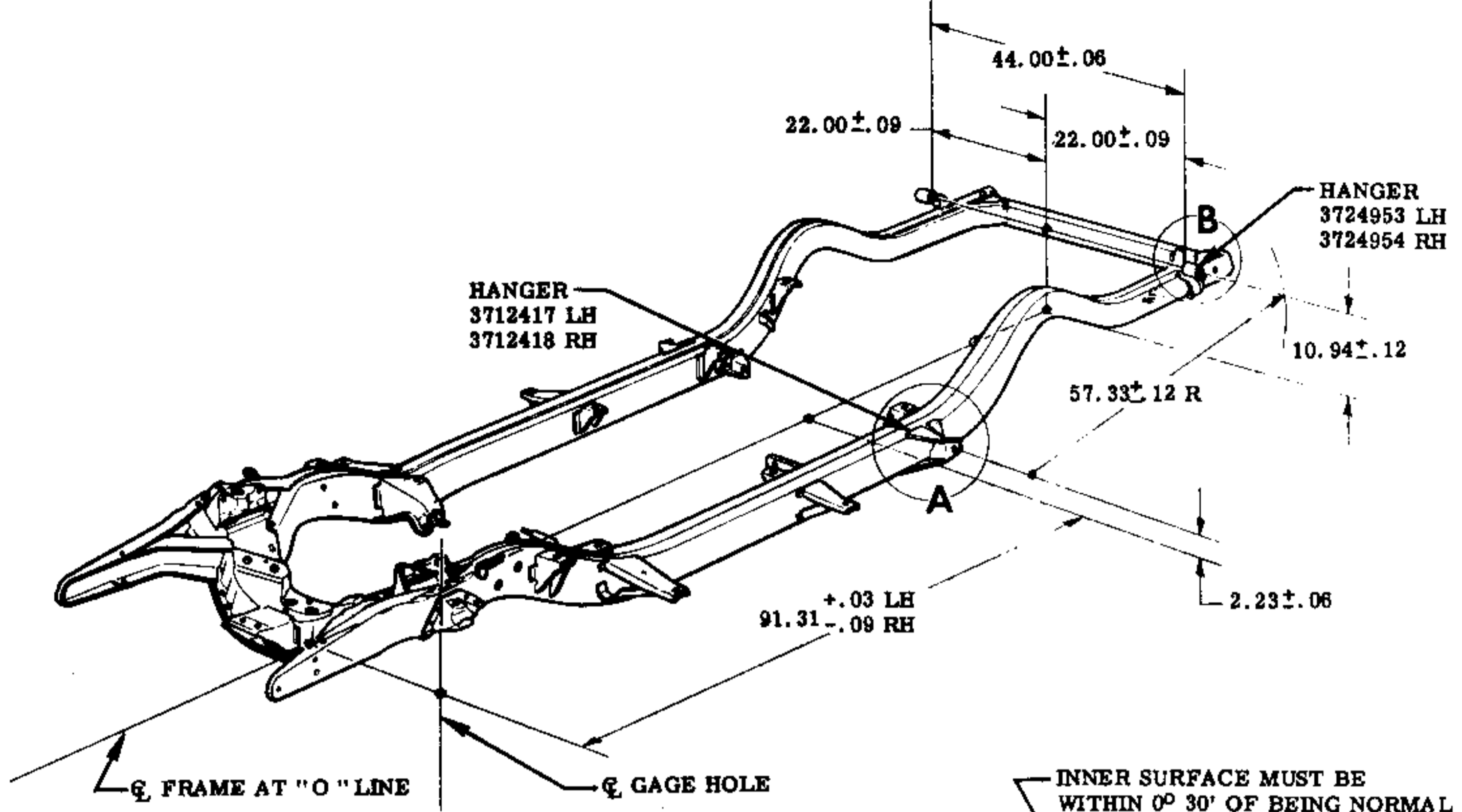
						NAME PASSENGER CAR INSTRUCTION MANUAL				
						REF.	DRAWN	CHECKED F	SECT.	SHEET
						DATE 7-25-55	PART No. 3726600		2	12.00
DATE	SYM.	REVISION RECORD	AUTH.	DR.	CK.					



NO. 5 & NO. 5A BODY BRACKET INSTRUCTION

MODELS
 9 PASSENGER STATION WAGON
 CKD BLOOMFIELD

					NAME PASSENGER CAR INSTRUCTION MANUAL				
					REF.	DRAWN	CHECKED F	SECT.	SHEET
					DATE 7-25-55	PART No. 3726600		2	13.00
9-22-55	1	WAS 3724655 LH & 3724656 RH	2606						
DATE	SYM.	REVISION RECORD	AUTH.	DR.	CK.				

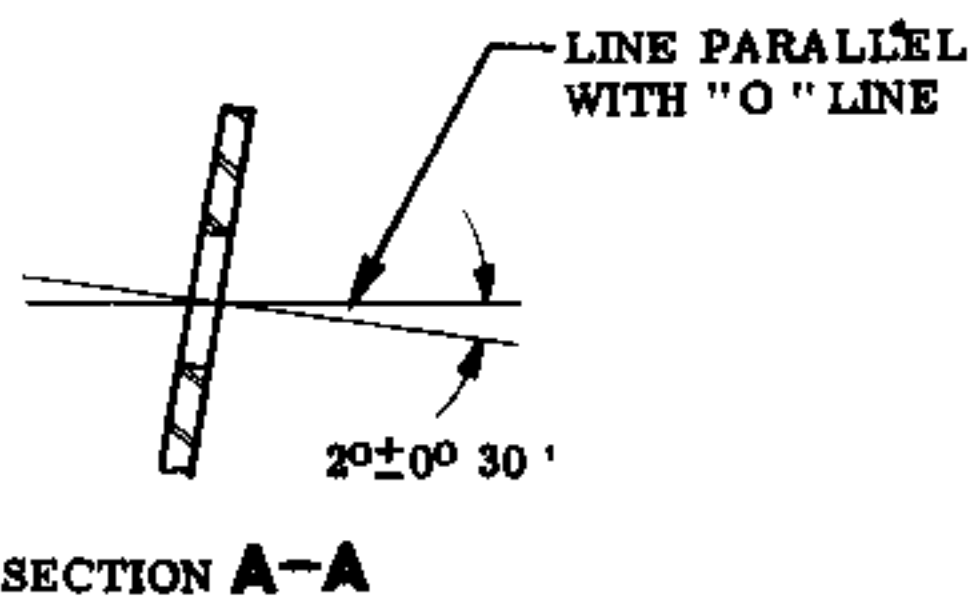
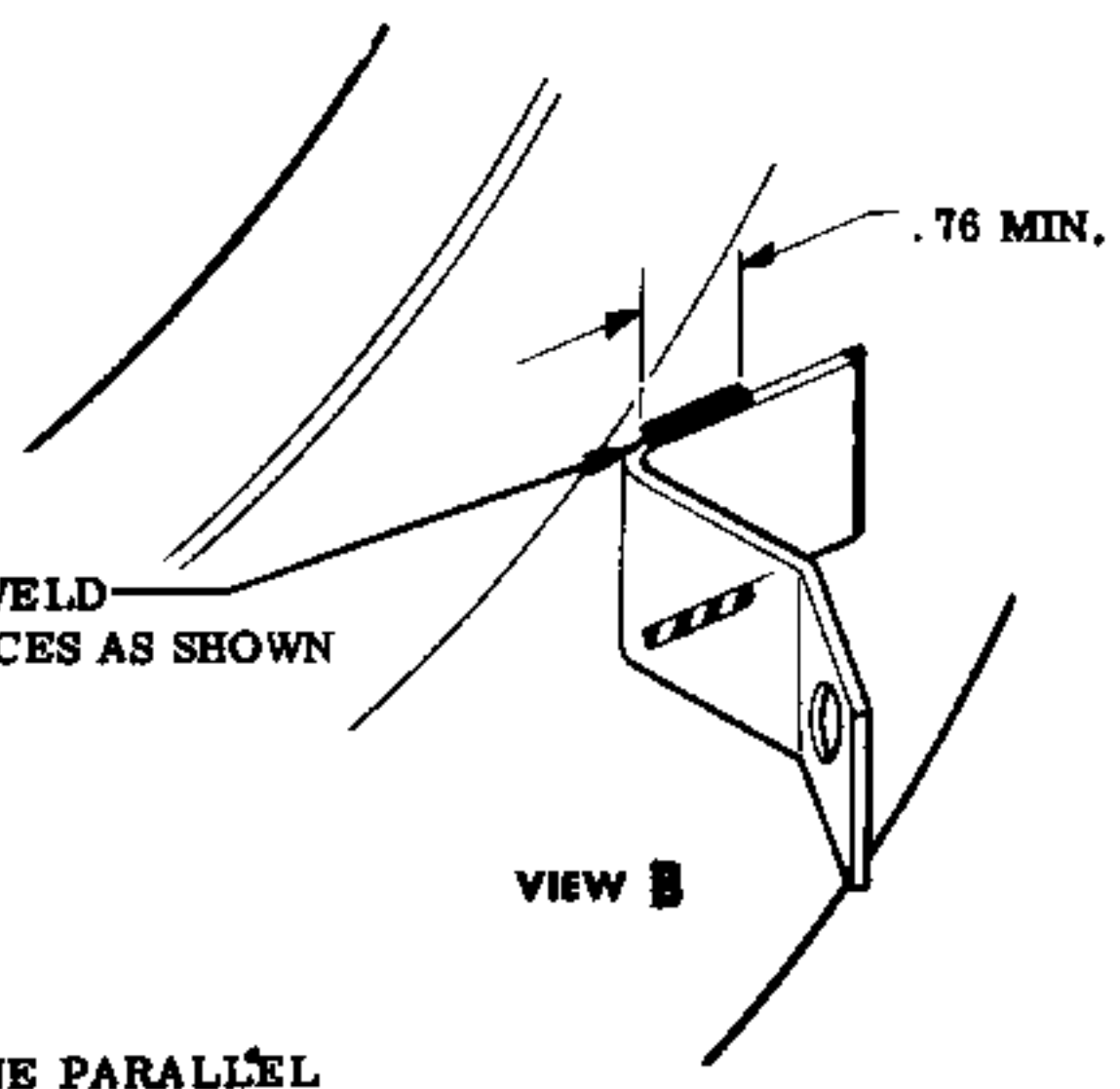
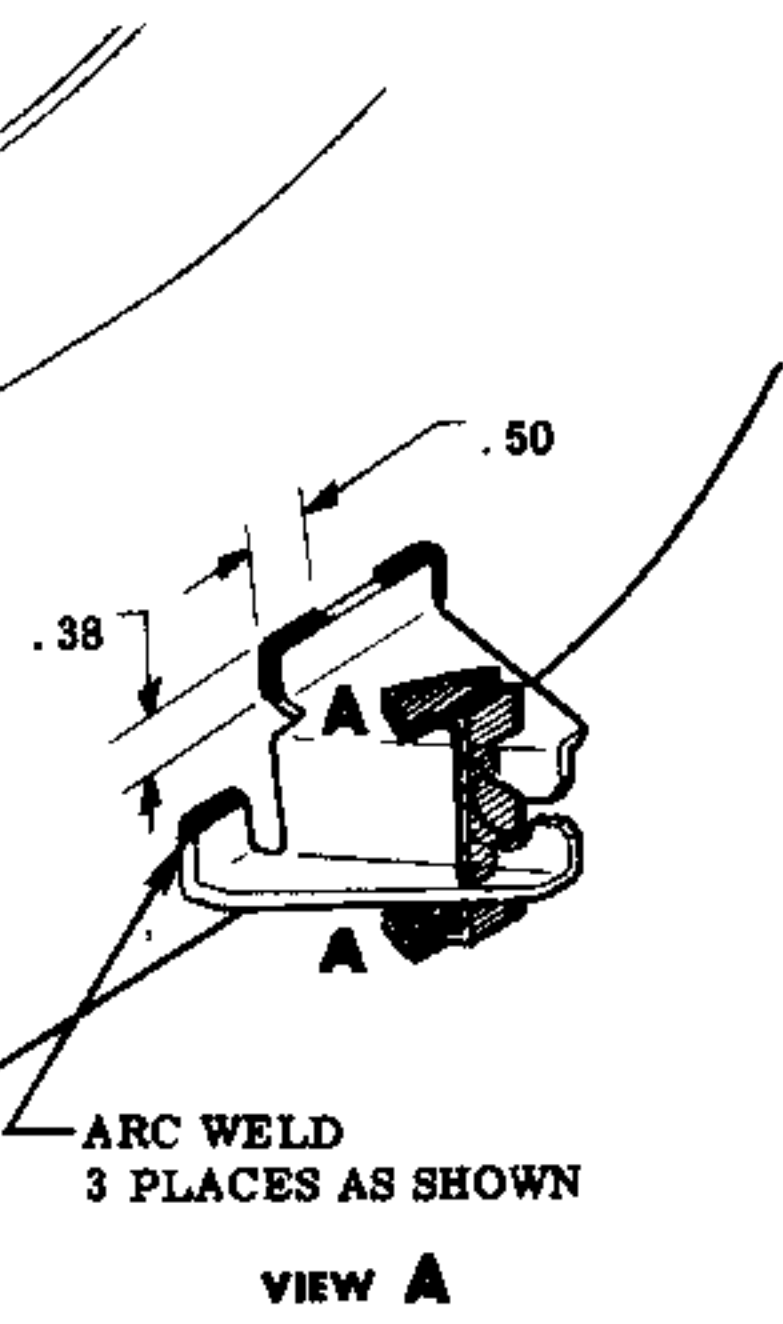
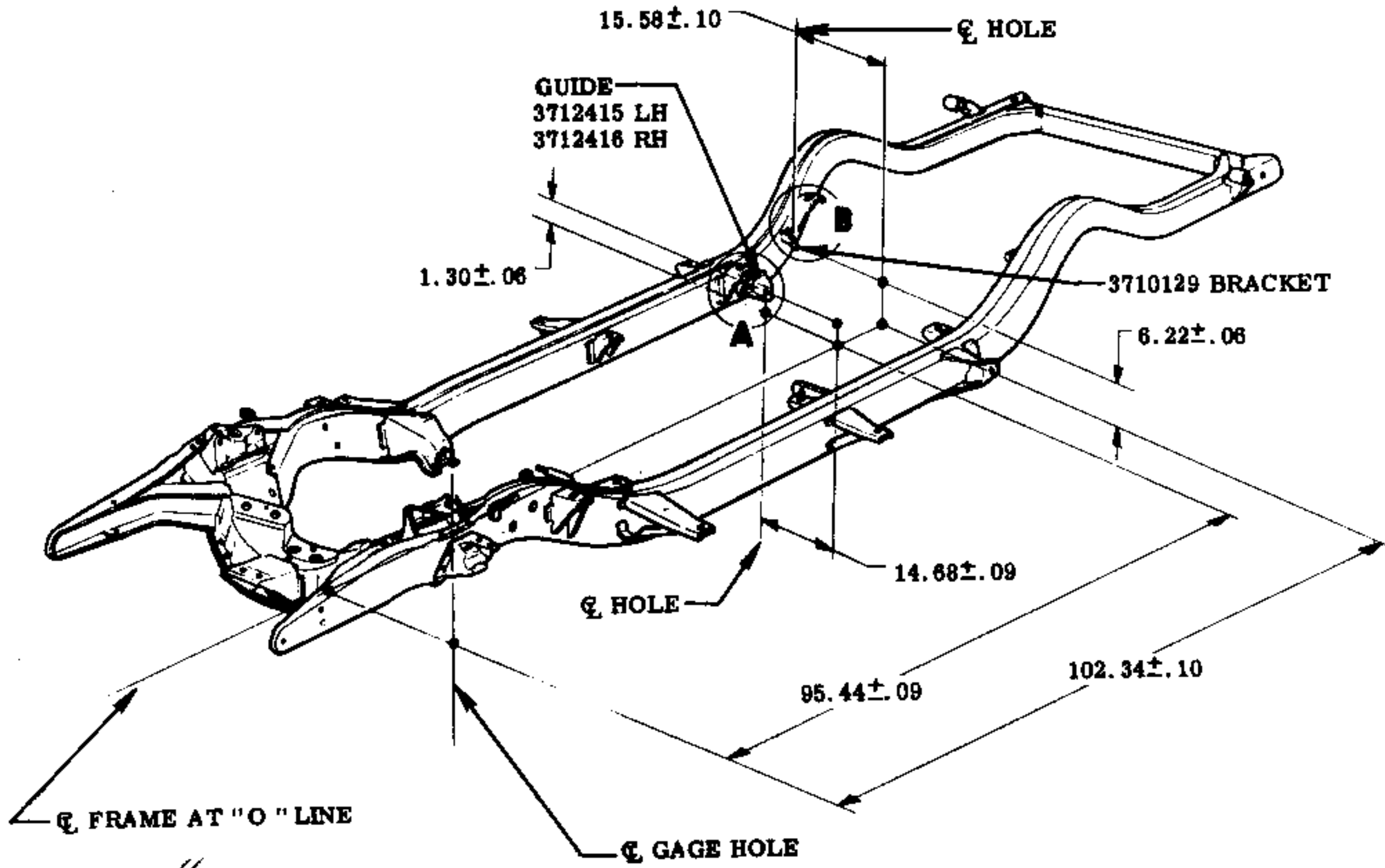


HOLES MUST BE IN LINE AND AXIS MUST BE NORMAL WITH LONGITUDINAL ∅ OF FRAME WITHIN .18 IN 18 INCHES

MODELS
 ALL
 CKD BLOOMFIELD

REAR SPRING HANGER INSTRUCTION

					NAME PASSENGER CAR INSTRUCTION MANUAL				
					REF.	DRAWN	CHECKED	SECT.	SHEET
							F	2	14.00
					DATE	PART No.			
DATE	SYM.	REVISION RECORD	AUTH.	DR.	CK.	7-25-55	3726600		



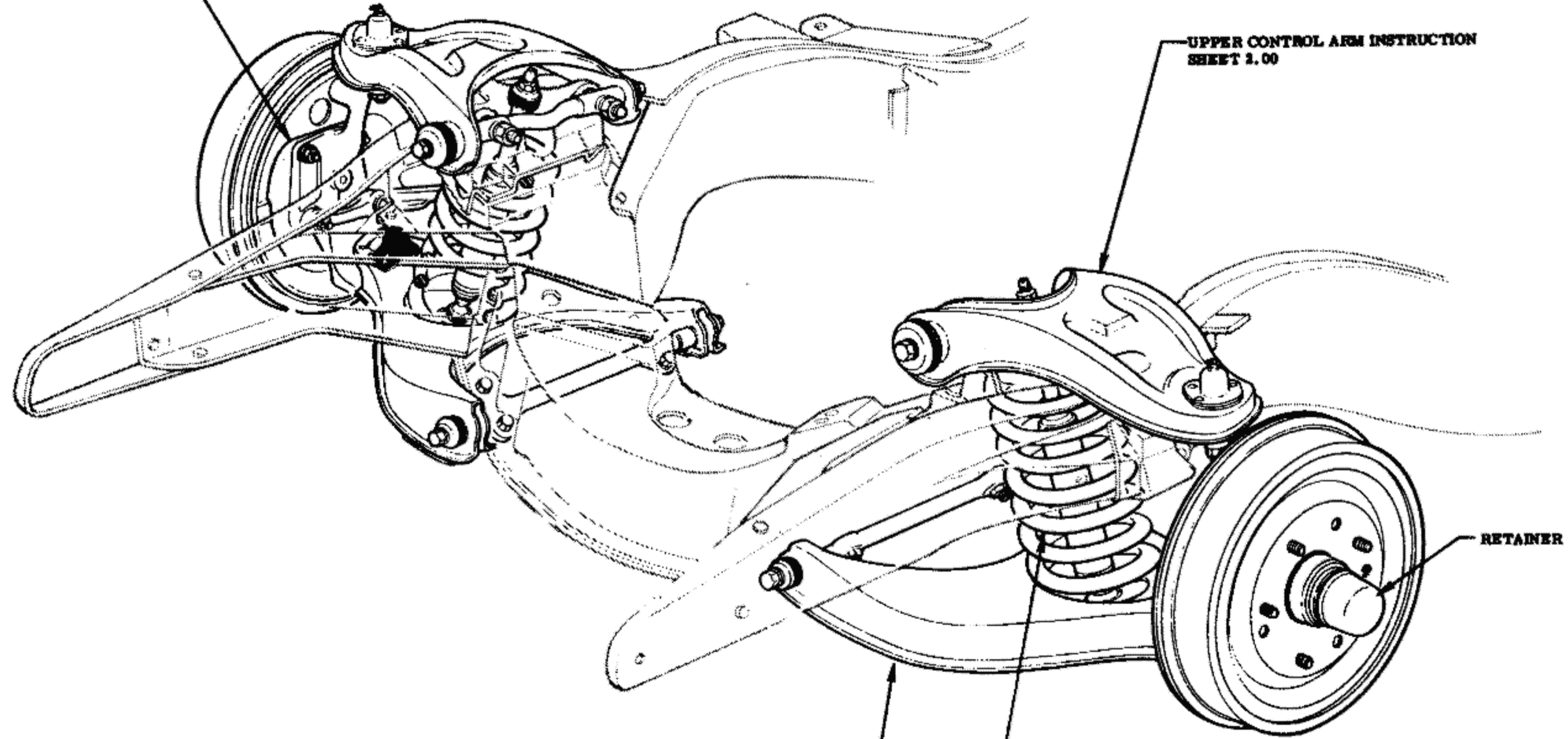
BRAKE HOSE BRACKET & BRAKE CABLE GUIDE INSTRUCTION

MODELS
ALL
CKD BLOOMFIELD

					NAME PASSENGER CAR INSTRUCTION MANUAL				
					REF.	DRAWN	CHECKED F	SECT.	SHEET
					DATE	PART No.	2		15.00
DATE	SYM.	REVISION RECORD	AUTH.	DR.	CK.	7-25-55	3726600		

STEERING KNUCKLE & WHEEL HUB INSTRUCTION
SHEET 3.00

UPPER CONTROL ARM INSTRUCTION
SHEET 2.00



FRONT SHOCK ABSORBER & SPRING INSTRUCTION
SHEET 4.00

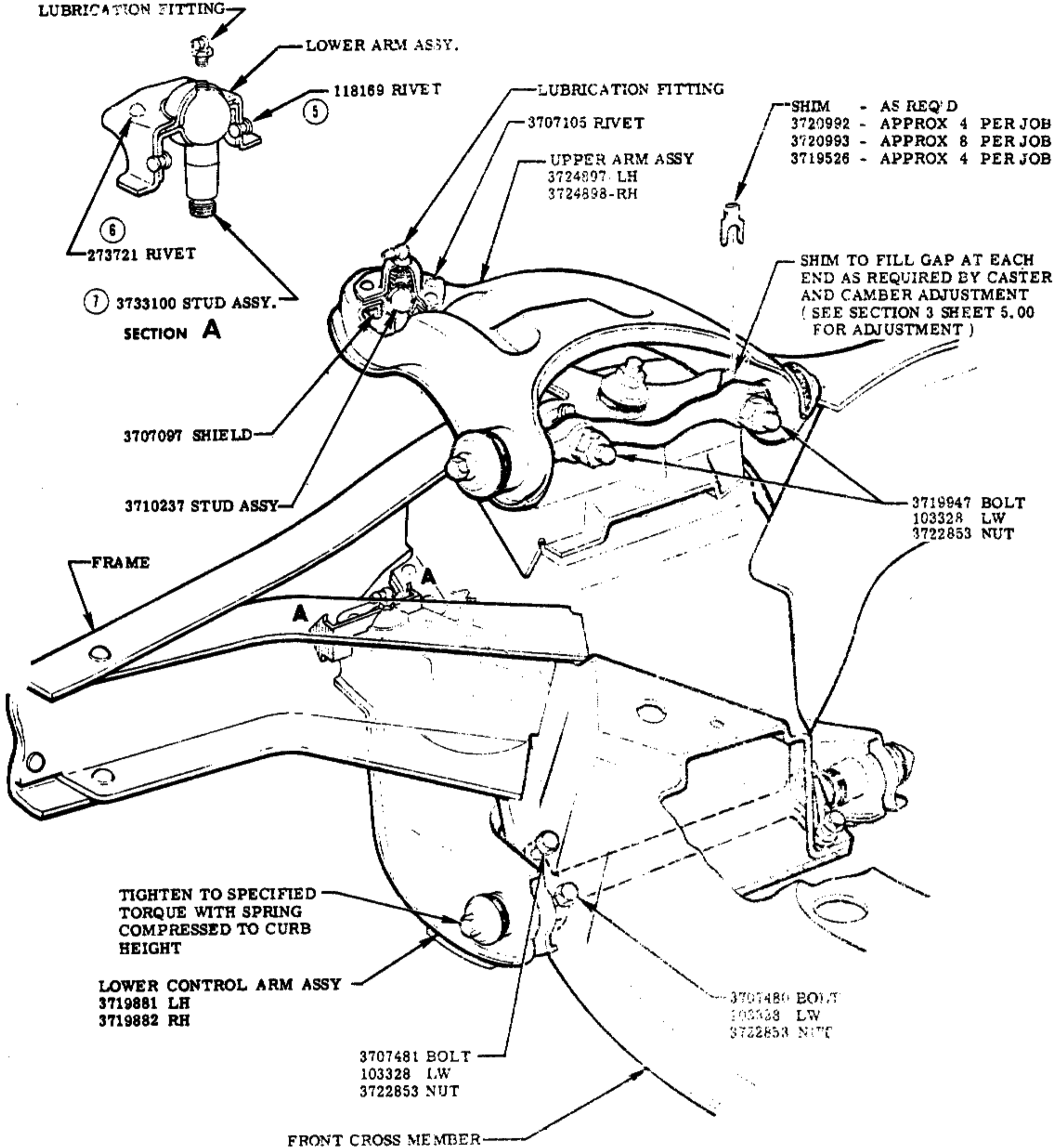
LOWER CONTROL ARM INSTRUCTION
SHEET 2.00

SPRING COLOR CODE
SHEET 6.00
FRONT SUSPENSION GEOMETRY
SHEET 5.00

**FRONT END SUSPENSION
INSTRUCTION**

**MODELS
ALL**

						NAME PASSENGER CAR INSTRUCTION MANUAL				
						REF.	DRAWN	CHECKED	SECT.	SHEET
						DATE	PART No.		3	1.00
DATE	SYM.	REVISION RECORD	AUTH.	DR.	CL.	7-25-55	2726600			

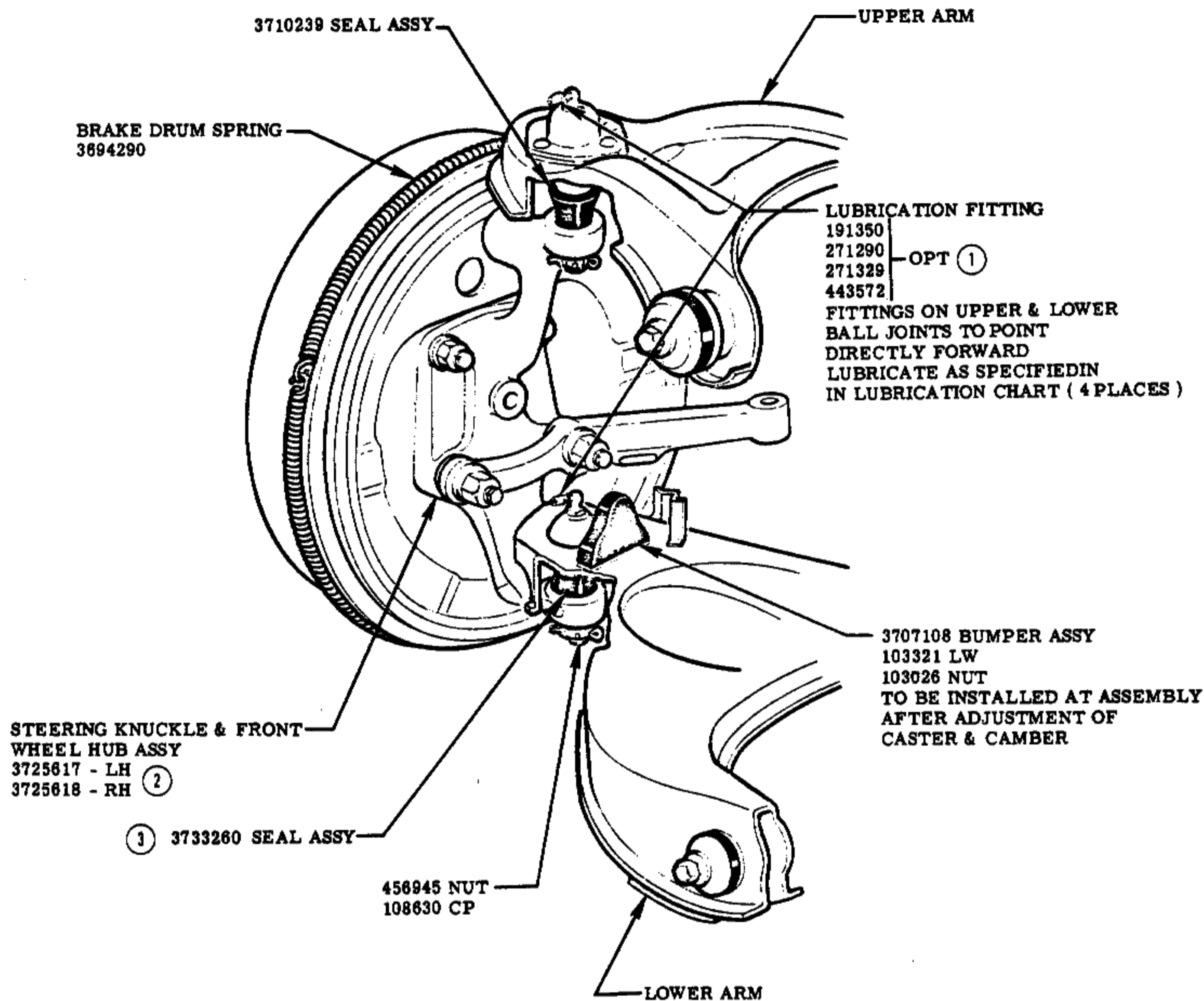


SEE LUBRICATION INSTRUCTION

UPPER & LOWER CONTROL ARM INSTRUCTION

MODELS
ALL

REVISION RECORD		AUTH.		DR. CK.		PASSENGER CAR INSTRUCTION MANUAL				
DATE	SYM.	REVISION RECORD	AUTH.	DR.	CK.	NAME	DRAWN	CHECKED	SECT.	SHEET
	7	WAS 3728360		V	F					
	6	WAS 118170								
	5	WAS 118170								
4-2-56	4	REDRAWN	6225			DATE	PART No		3	2.00
						7-25-55	3726600			

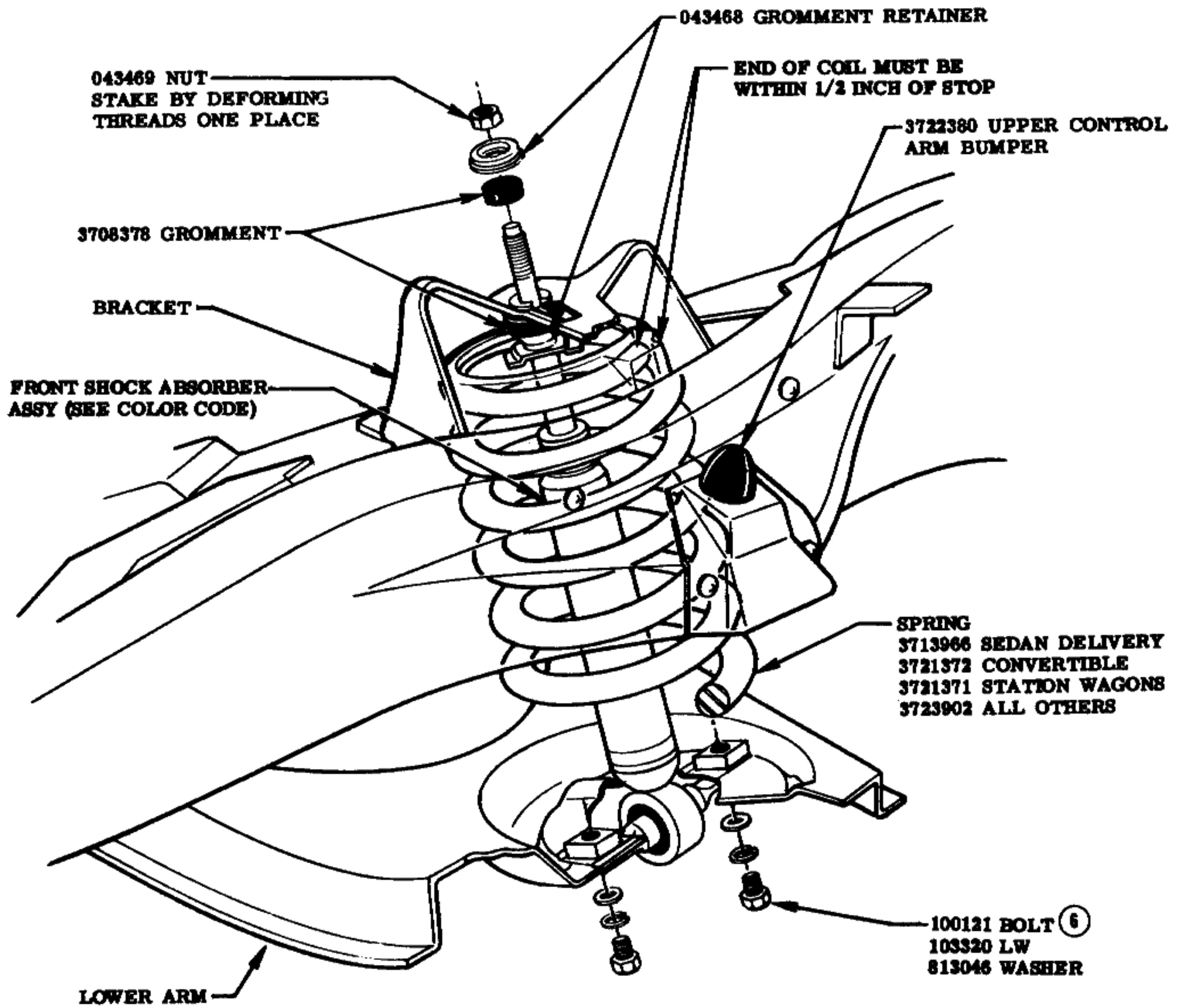


SEE LUBRICATION INSTRUCTION

STEERING KNUCKLE & WHEEL HUB INSTRUCTION

MODELS
ALL

					NAME PASSENGER CAR INSTRUCTION MANUAL				
					REF.	DRAWN	CHECKED	SECT.	SHEET
4-2-56	3	WAS 3710240	8225	V	F			F	
	2	WAS 3707909 LH & 3707910 RH	1139		F				
9-22-55	1	271290 OPT ADDED	2466			DATE	PART No.		
		REVISION RECORD	AUTH.	DR.	CK.	7-25-55	3726600	3	3.00



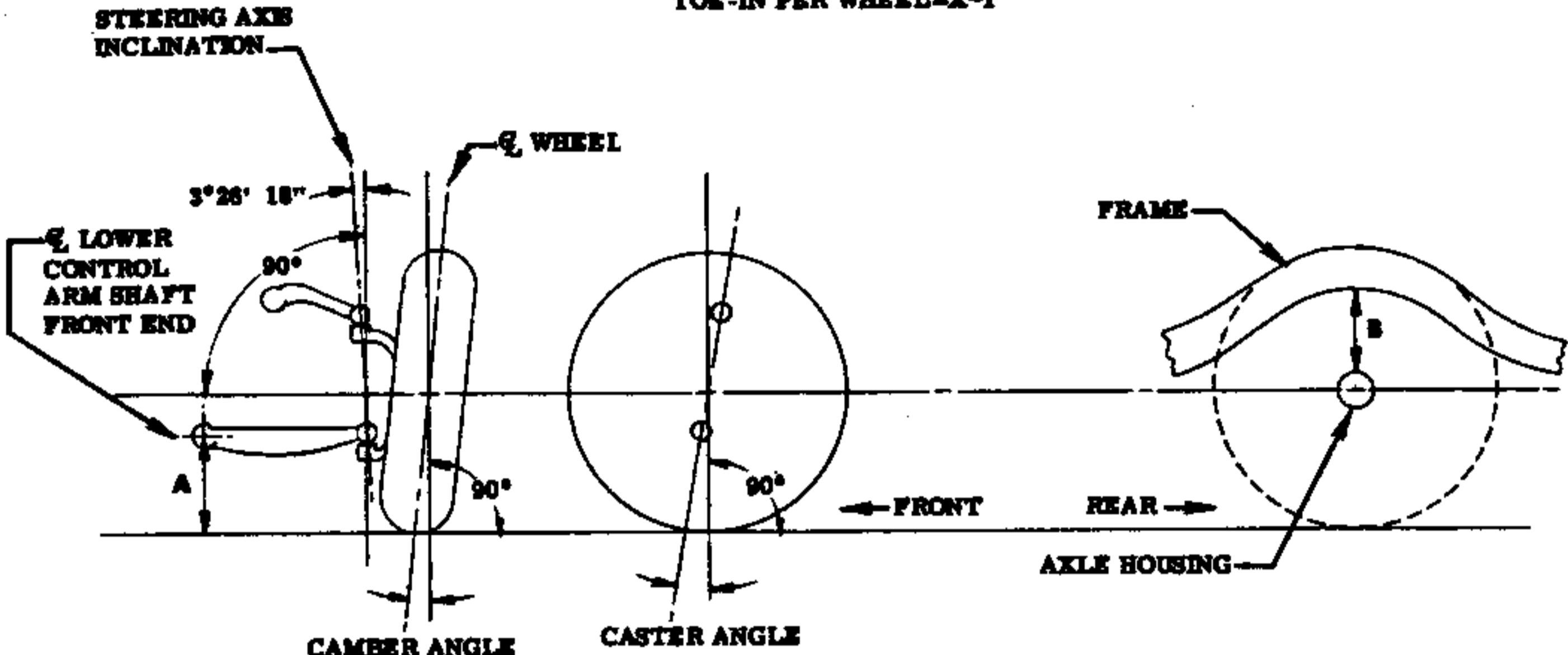
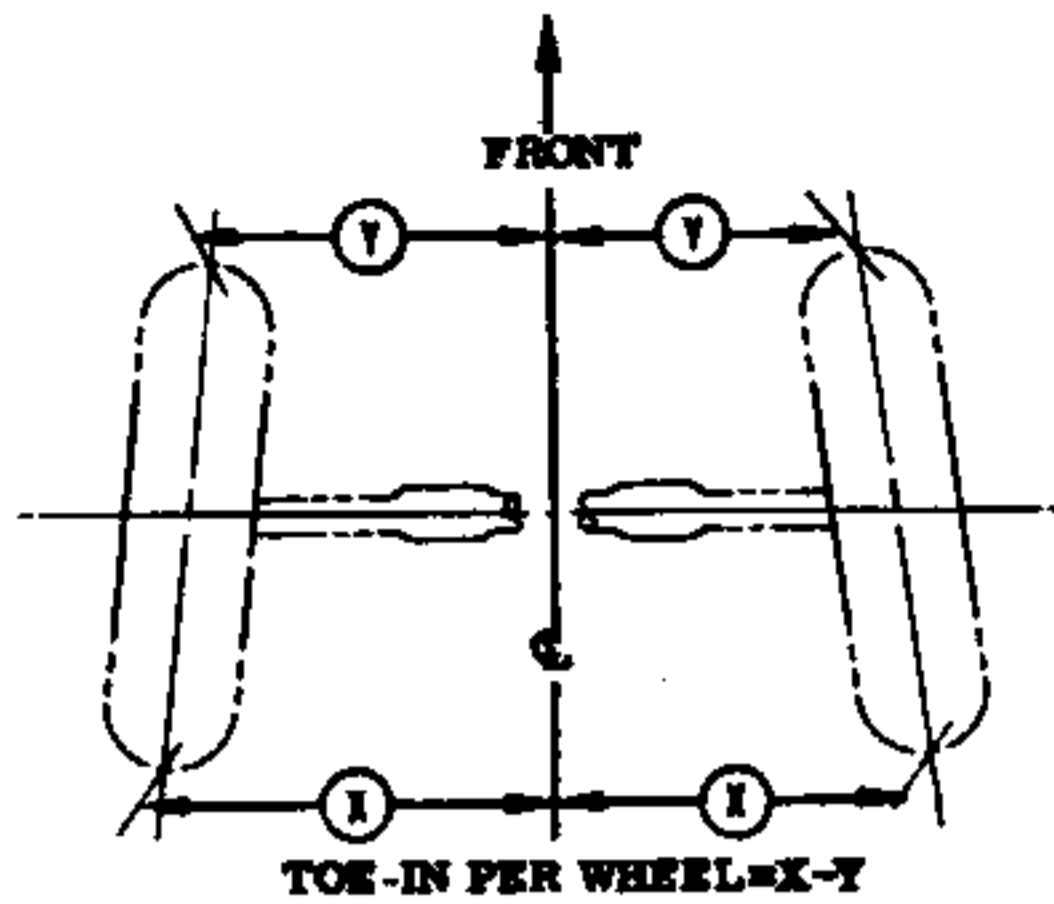
COLOR CODE

	PART NO	COLOR
1502-03 2102-03-13-34-54 2402-03-13-54	5520280	PLAIN
1508-12-29 2109-18-29 2409-29-34	5524088	ORANGE

FRONT SHOCK ABSORBER & SPRING INSTRUCTION

MODELS ALL

						NAME PASSENGER CAR INSTRUCTION MANUAL				
						REF.	DRAWN	CHECKED	SECT.	SHEET
	6	WAS 100122			F			F	3	4.00
5-21-56	5	REDRAWN	1152			DATE 7-25-55	PART No. 3726600			
DATE	SYM.	REVISION RECORD	AUTH.	DR.	CK.					



FRONT VIEW

□ DIMENSION WITH VEHICLE UNDER ACTUAL DESIGN LOAD CONDITION (5 - 150 LB PASSENGERS, 2 FRONT & 3 REAR SEAT)

△ DIMENSION WITH VEHICLE UNDER ACTUAL CURB LOAD CONDITION (NO PASSENGERS, BUT INCLUDING OIL, WATER & A FULL TANK OF GASOLINE OR EQUIV.)

	②		①	A	B
	TOE-IN PER WHEEL	CAMBER ANGLE	CASTER ANGLE	FRONT HEIGHT	REAR HEIGHT
□ DESIGN LOAD	0 TO 1/16	+38'±30' *	+2°15'±30' *	≈ 10.000	≈ 3.625
△ CURB WEIGHT	1/16 TO 1/8	+30'±30'	+1°±30'	≈ 11.000	≈ 5.725

* RIGHT AND LEFT SIDES EQUAL WITHIN 15'.

THESE DIMENSIONS ARE THEORETICAL AND ARE FOR REFERENCE ONLY, NOT TO BE USED FOR CHECKING WHEEL ALIGNMENT

MODELS ALL

FRONT SUSPENSION GEOMETRY

	2	DESIGN LOAD WAS 0 TO 1/32			F	NAME PASSENGER CAR INSTRUCTION MANUAL				
1-16-56		CURB WT. WAS 1/16 TO 3/32	7160		F	REF.	DRAWN	CHECKED	SECT.	SHEET
	1	CASTER ANGLE WAS							F	
		DESIGN LOAD +2°15'±30°								
11-14-55		CURB WEIGHT 1°±30' IN ERROR	5345			DATE	PART No.		3	5.00
DATE	SYM.	REVISION RECORD	AUTH.	DR.	CK.	7-25-55	3726600			

FRONT SPRING COLOR CODE

RPO	DESCRIPTION	MODELS																			
		1502	1503	1508	1512	1529	2102	2103	2109	2113	2119	2124	2129	2154	2402	2403	2413	2419	2429	2434	2454
	L-6 3-SPEED	BROWN	BROWN	WHITE	BROWN	L. GREEN	BROWN	BROWN	L. GREEN	BROWN	L. GREEN	BROWN	L. GREEN	BROWN	BROWN	BROWN	BROWN	L. GREEN	L. GREEN	ORANGE	BROWN
221	V-8 3-SPEED	BROWN	BROWN	WHITE	BROWN	L. GREEN	BROWN	BROWN	L. GREEN	BROWN	L. GREEN	BROWN	L. GREEN	BROWN	BROWN	BROWN	BROWN	L. GREEN	L. GREEN	ORANGE	BROWN
221	V-8 OVERDRIVE	BROWN	BROWN	WHITE	BROWN	L. GREEN	BROWN	BROWN	L. GREEN	BROWN	L. GREEN	BROWN	L. GREEN	BROWN	BROWN	BROWN	BROWN	L. GREEN	L. GREEN	ORANGE	BROWN
313	V-8 POWERGLIDE	L. BLUE	L. BLUE	WHITE	L. BLUE	ORANGE	L. BLUE	L. BLUE	ORANGE	L. BLUE	ORANGE	L. BLUE	ORANGE	L. BLUE	L. BLUE	L. BLUE	L. BLUE	ORANGE	ORANGE	D. BLUE	L. BLUE
313	L-6 POWERGLIDE	L. BLUE	L. BLUE	WHITE	L. BLUE	ORANGE	L. BLUE	L. BLUE	ORANGE	L. BLUE	ORANGE	L. BLUE	ORANGE	L. BLUE	L. BLUE	L. BLUE	L. BLUE	ORANGE	ORANGE	D. BLUE	L. BLUE
TAXI CAB																					
330	L-6 3-SPEED	---	PINK	---	---	---	---	PINK	---	---	---	---	---	---	---	---	---	---	---	---	---
330	L-6 POWERGLIDE	---	D. GREEN	---	---	---	---	D. GREEN	---	---	---	---	---	---	---	---	---	---	---	---	---
AIR CONDITIONING																					
450	V-8 3-SPEED	D. GREEN	D. GREEN	D. GREEN	D. GREEN	D. GREEN	D. GREEN	D. GREEN	D. GREEN	D. GREEN	D. GREEN	D. GREEN	D. GREEN	D. GREEN	D. GREEN	D. GREEN	D. GREEN	D. GREEN	D. GREEN	---	D. GREEN
450	V-8 POWERGLIDE	YELLOW	YELLOW	D. GREEN	YELLOW	YELLOW	YELLOW	YELLOW	YELLOW	YELLOW	YELLOW	YELLOW	YELLOW	YELLOW	YELLOW	YELLOW	YELLOW	YELLOW	YELLOW	---	YELLOW
HEAVY DUTY																					
253	L-6 3-SPEED	PINK	PINK	L. GREEN	PINK	PINK	PINK	PINK	PINK	PINK	PINK	PINK	PINK	PINK	PINK	PINK	PINK	PINK	PINK	D. GREEN	PINK
253	V-8 3-SPEED	PINK	PINK	L. GREEN	PINK	PINK	PINK	PINK	PINK	PINK	PINK	PINK	PINK	PINK	PINK	PINK	PINK	PINK	PINK	D. GREEN	PINK
253	L-6 POWERGLIDE	D. GREEN	D. GREEN	L. GREEN	D. GREEN	D. GREEN	D. GREEN	D. GREEN	D. GREEN	D. GREEN	D. GREEN	D. GREEN	D. GREEN	D. GREEN	D. GREEN	D. GREEN	D. GREEN	D. GREEN	D. GREEN	D. GREEN	D. GREEN
253	V-8 POWERGLIDE	D. GREEN	D. GREEN	L. GREEN	D. GREEN	D. GREEN	D. GREEN	D. GREEN	D. GREEN	D. GREEN	D. GREEN	D. GREEN	D. GREEN	D. GREEN	D. GREEN	D. GREEN	D. GREEN	D. GREEN	D. GREEN	D. GREEN	D. GREEN

5

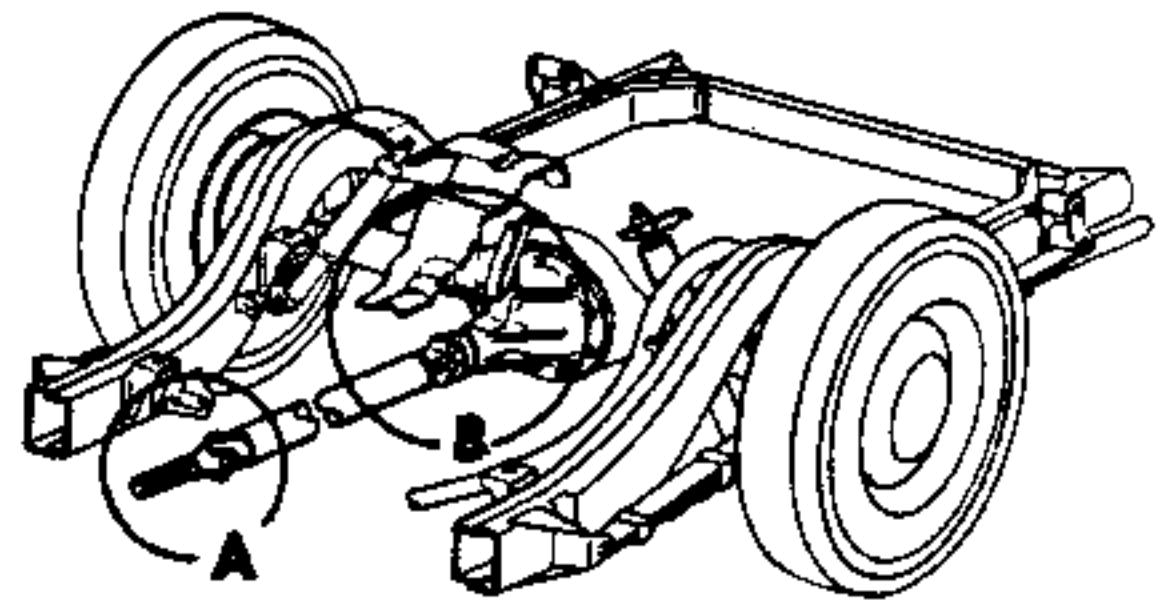
COLOR	BROWN	WHITE	L. GREEN	ORANGE	L. BLUE	D. BLUE	PINK	D. GREEN	YELLOW
PART NO.	3723902	3713966	3721371	3721372	3723903	3721373	3719736	3714506	3722423

MODELS
ALL

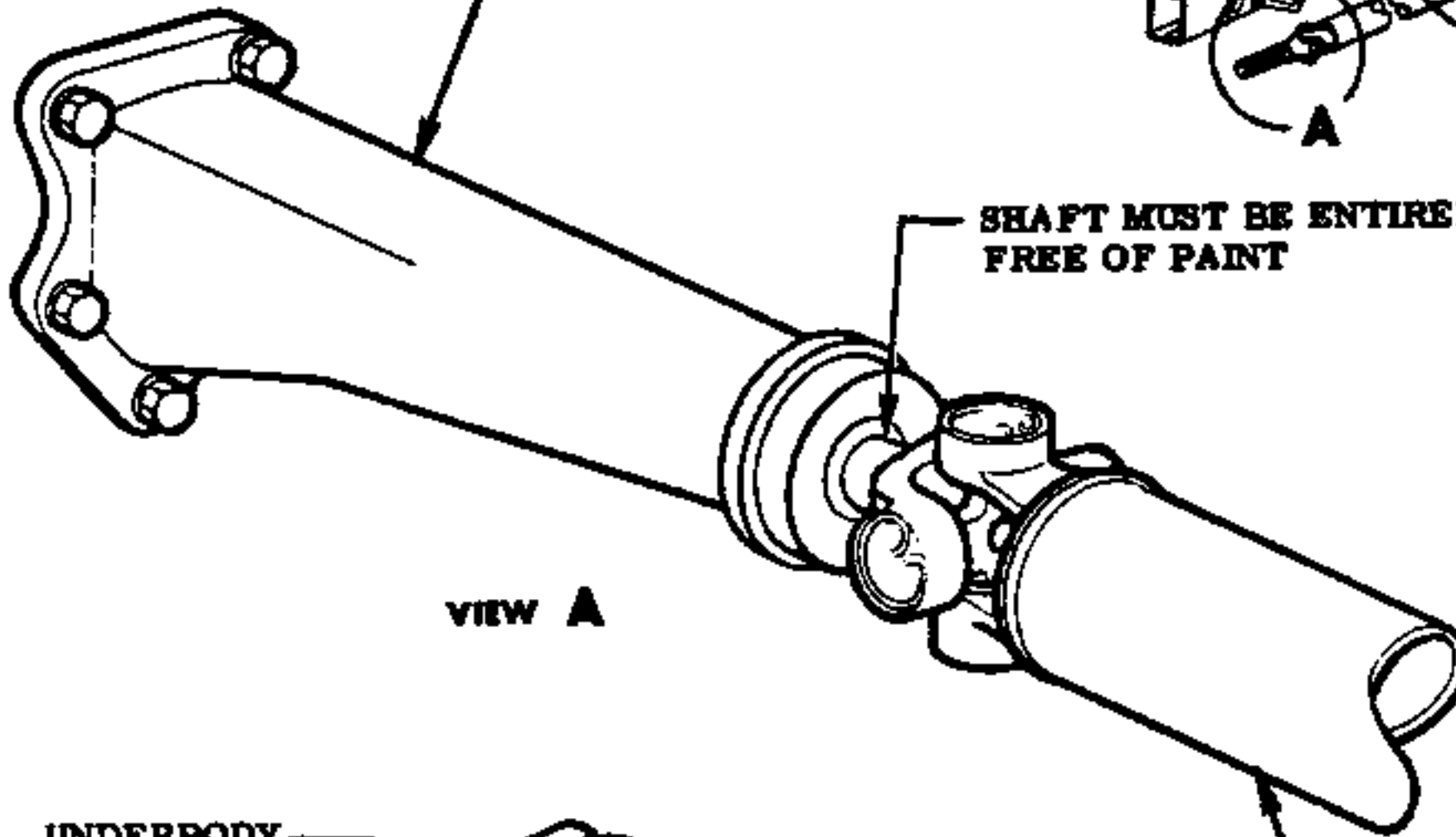
FRONT SPRING COLOR CODE

6	L-6 3-SPEED 2154 & 2454	V	F	NAME	PASSENGER CAR INSTRUCTION MANUAL				
	WAS L. BLUE	5495		REF. ECR	DRAWN DG	CHECKED WF	SECT.	SHEET	
5	R. P. O. 406 FRONT STABILIZER-REMOVED			3826			3	6.00	
4-23-56	4 REDRAWN	4136		DATE	PART No. 3726600				
DATE	SYM.	REVISION RECORD	AUTH.	DR.	CK.				
				9-9-55					

TRANSMISSION & EXTENSION



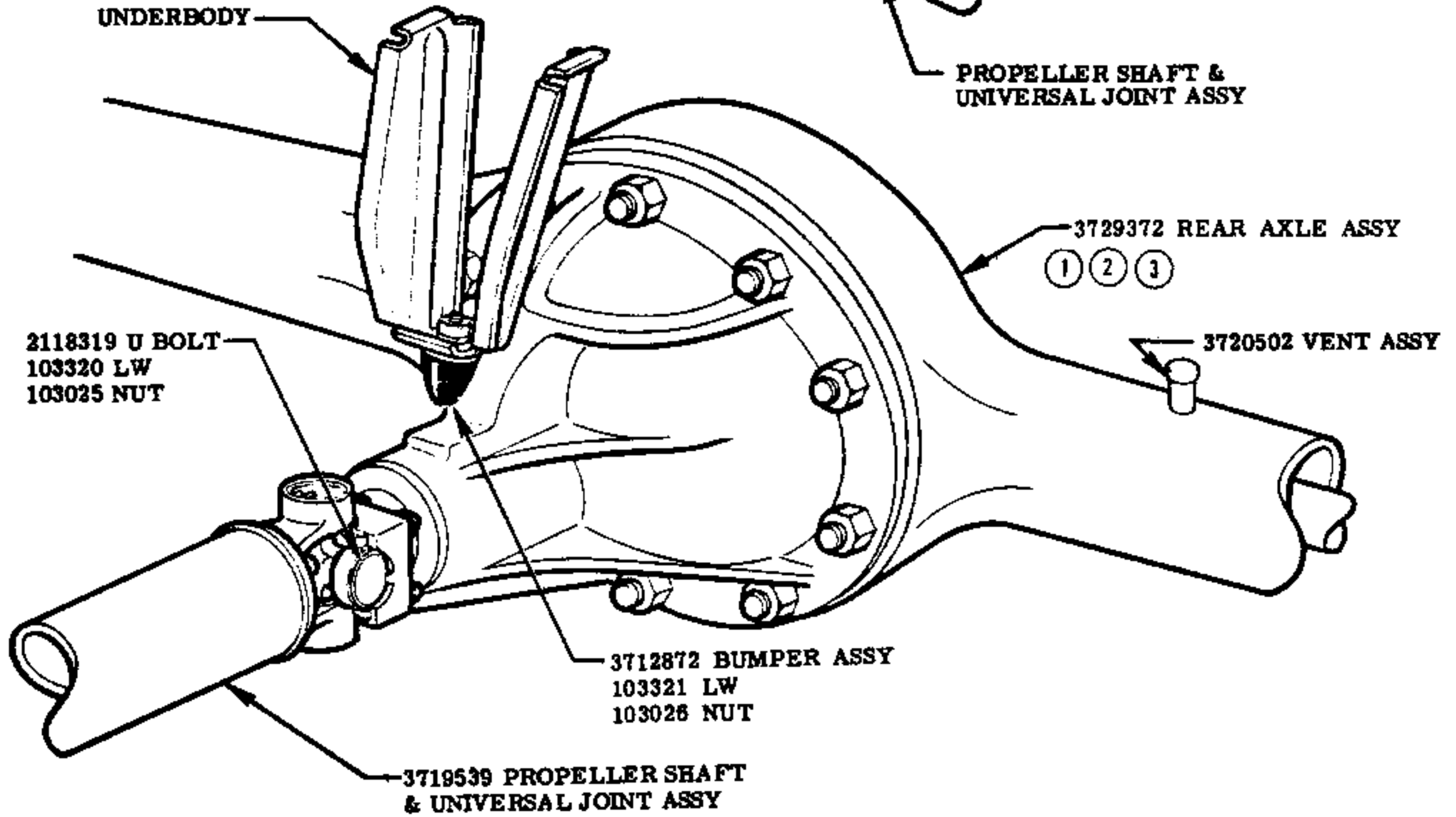
SHAFT MUST BE ENTIRELY FREE OF PAINT



VIEW A

UNDERBODY

PROPELLER SHAFT & UNIVERSAL JOINT ASSY



3729372 REAR AXLE ASSY
① ② ③

3720502 VENT ASSY

2118319 U BOLT
103320 LW
103025 NUT

3712872 BUMPER ASSY
103321 LW
103026 NUT

3719539 PROPELLER SHAFT & UNIVERSAL JOINT ASSY

VIEW B

SEE LUBRICATION INSTRUCTION

**BUMPER — PROPELLER
SHAFT & REAR AXLE INSTRUCTION**

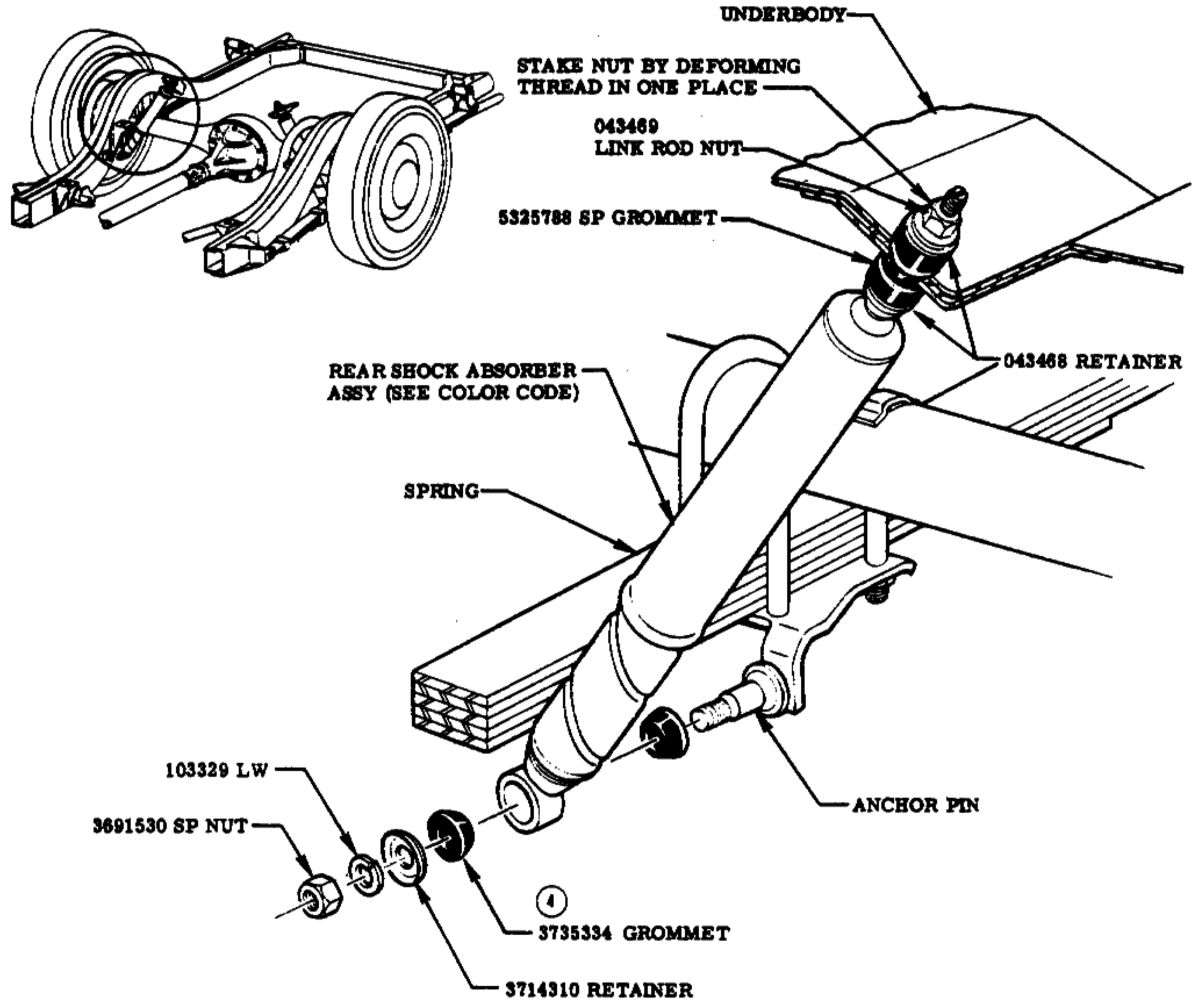
MODELS

ALL

					NAME PASSENGER CAR INSTRUCTION MANUAL					
DATE	SYM.	REVISION RECORD	AUTH.	DR.	CK.	REF.	DRAWN	CHECKED	SECT.	SHEET
1-9-56	3	WAS 3730815	6196		F				F	
11-21-55	2	WAS 3729372	9475		F					
10-10-55	1	WAS 3705746	3100		F	DATE	PART No.		4	2.00
						7-25-55	3726600			

② ① COLOR CODE

	PART NO	COLOR
1502-03 2102-03-13-24-54 2402-03-13-54	5394942	PLAIN
1508-12-29 2109-19 29 2419-29-34	5524089	ORANGE



MODELS
ALL

SHOCK ABSORBER INSTRUCTION

DATE	SYM.	REVISION RECORD	AUTH.	DR.	CK.	NAME	REF.	DRAWN	CHECKED	SECT.	SHEET
2-27-56	4	WAS 5313726	7445		F	PASSENGER CAR INSTRUCTION MANUAL					
11- 2-55	3	EXPORT REMOVED			F				F		
10-10-55	2	COLOR CODE CHART REVISED	4388		F						
9-22-55	1	COLOR CODE CHART REVISED	2870		F	DATE	PART No.			4	3.00
						7-25-55	3726600				

SIDE MEMBER LH

TIGHTEN BOLT AFTER WEIGHT OR SIMULATED WEIGHT OF CAR IS APPLIED

3710479 BOLT

FRONT HANGER

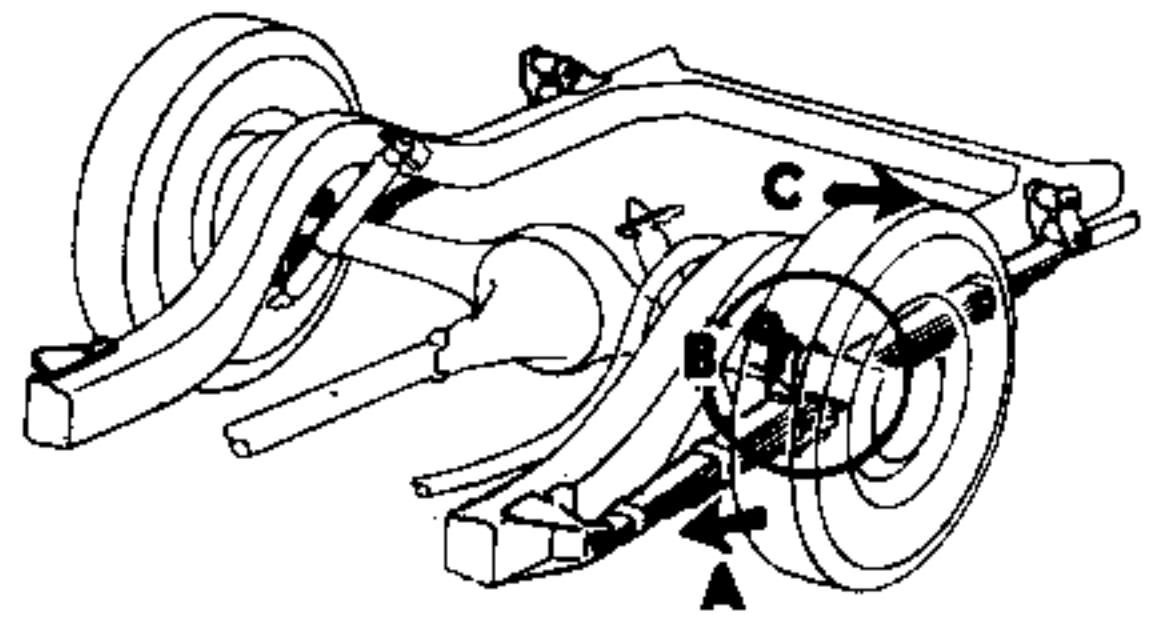
NUT 126013 | OPT 451016

SHOULDER OF BUSHING TO BE SEATED AGAINST REAR SPRING EYE

REAR SPRING

3710478 BUSHING ASSY MAY BE ASSEMBLED FROM EITHER SIDE OF SPRING

VIEW A



U BOLT 3723764-2119-2419 3723981- OTHERS U BOLTS MUST BE AS CLOSE AS POSSIBLE TO SIDE OF SPRING

3719960 BUMPER

NUT 451015 | OPT 126022

3711561 RETAINER

3691530 NUT

PLATE ASSY 3714311 LH 3714312 RH

VIEW B

SIDE MEMBER LH

3724963-LH 3724964-RH OUTER SHACKLE

1456684 BUSHING

REAR HANGER

REAR SPRING ASSY 3721072 | OPT-1508-2429 3719740 | OPT-1529-2109 3719738 | OPT-2129 3721090

① 3730075 -2119-2419 3714243 | OPT-ALL OTHERS 3720352

3710476 BUSHING

FRONT

REAR SPRING

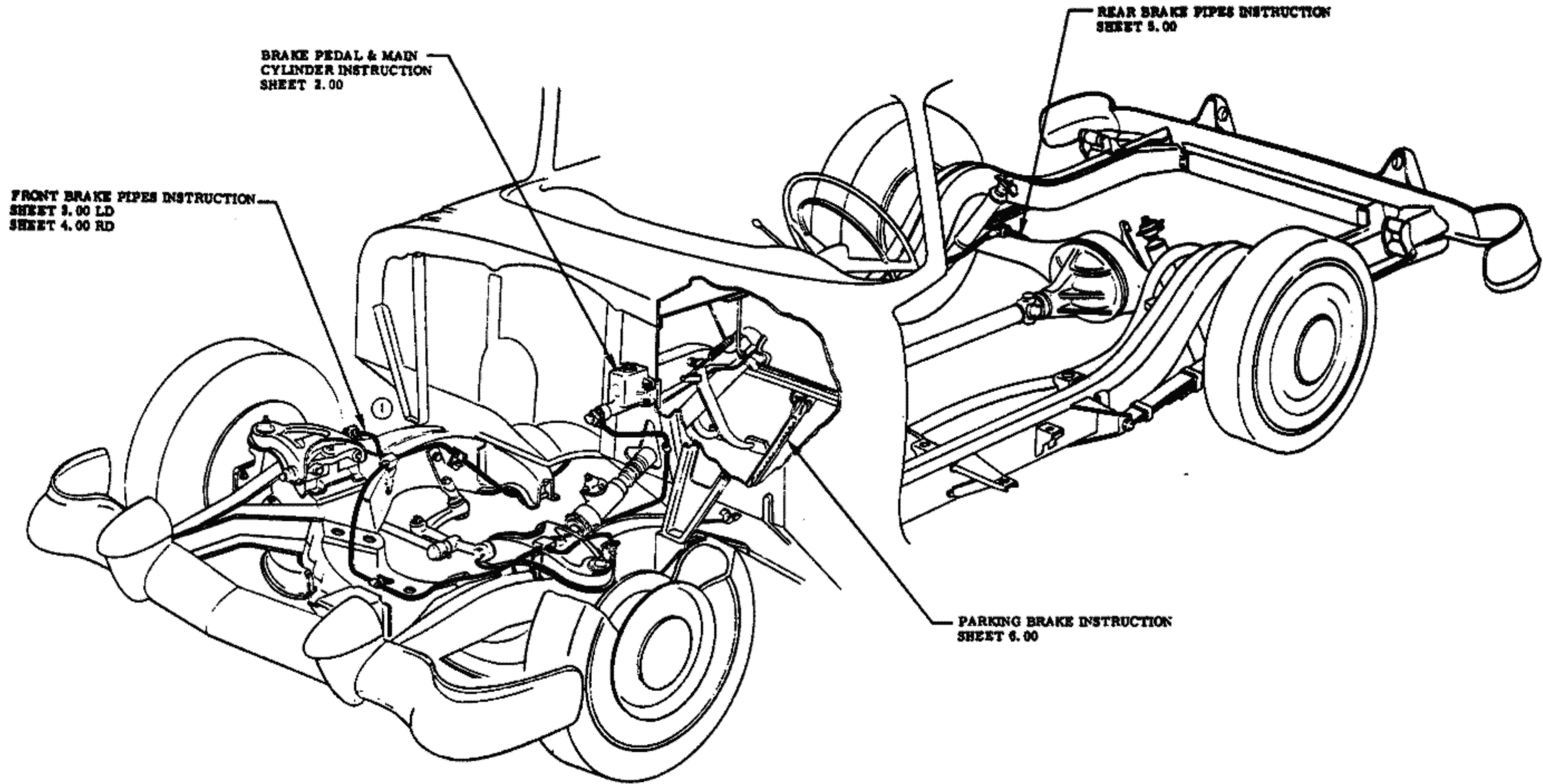
SHACKLE ASSY 3724957 LH 3724958 RH

VIEW C

MODELS ALL

BUMPER & REAR SPRING INSTRUCTION

							PASSENGER CAR INSTRUCTION MANUAL				
							NAME	DRAWN	CHECKED	SECT.	SHEET
1-30-58	2	NO. ADDED				F			F	4	4.00
9-22-55	1	WAS 3721081	3653			F	DATE	PART No.	3726600		
DATE	SYM.	REVISION RECORD	AUTH.	DR.	CK.		7-25-55				



BRAKE PEDAL & MAIN
CYLINDER INSTRUCTION
SHEET 2.00

FRONT BRAKE PIPES INSTRUCTION
SHEET 3.00 LD
SHEET 4.00 RD

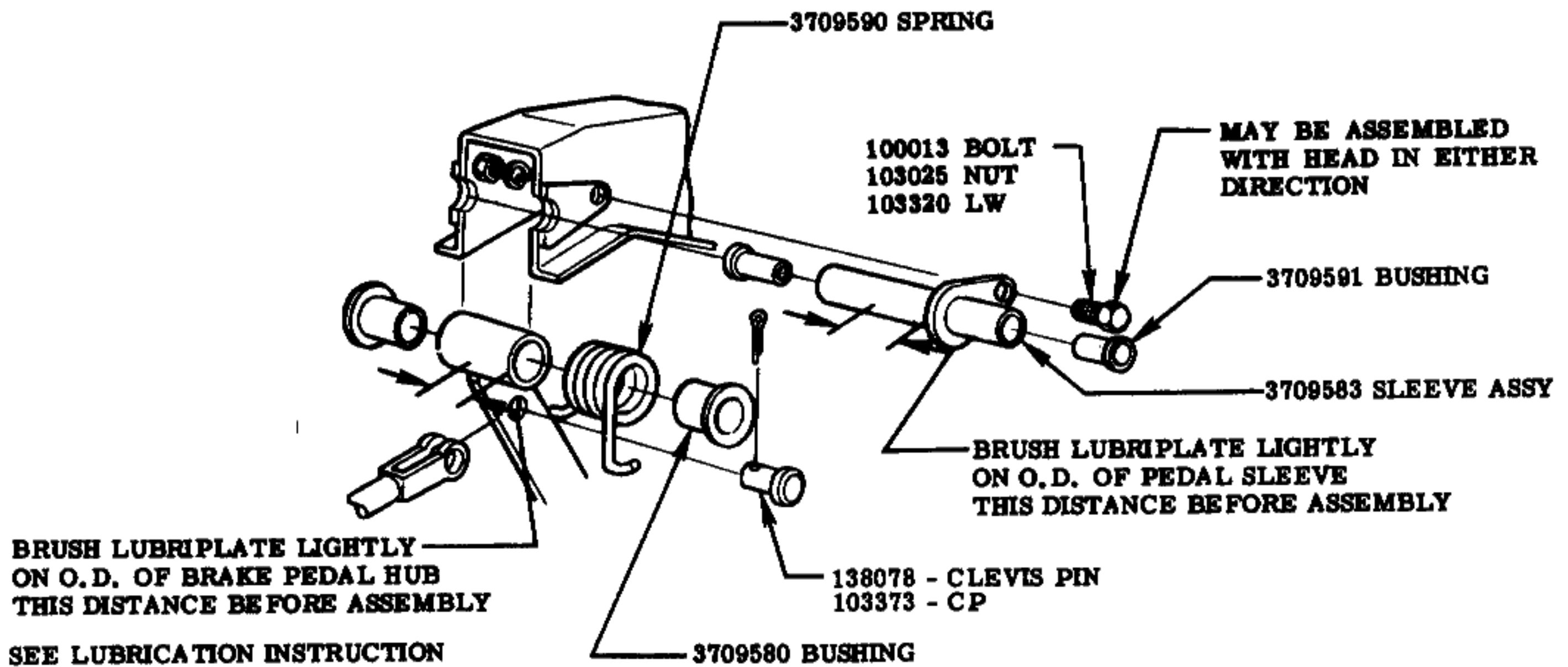
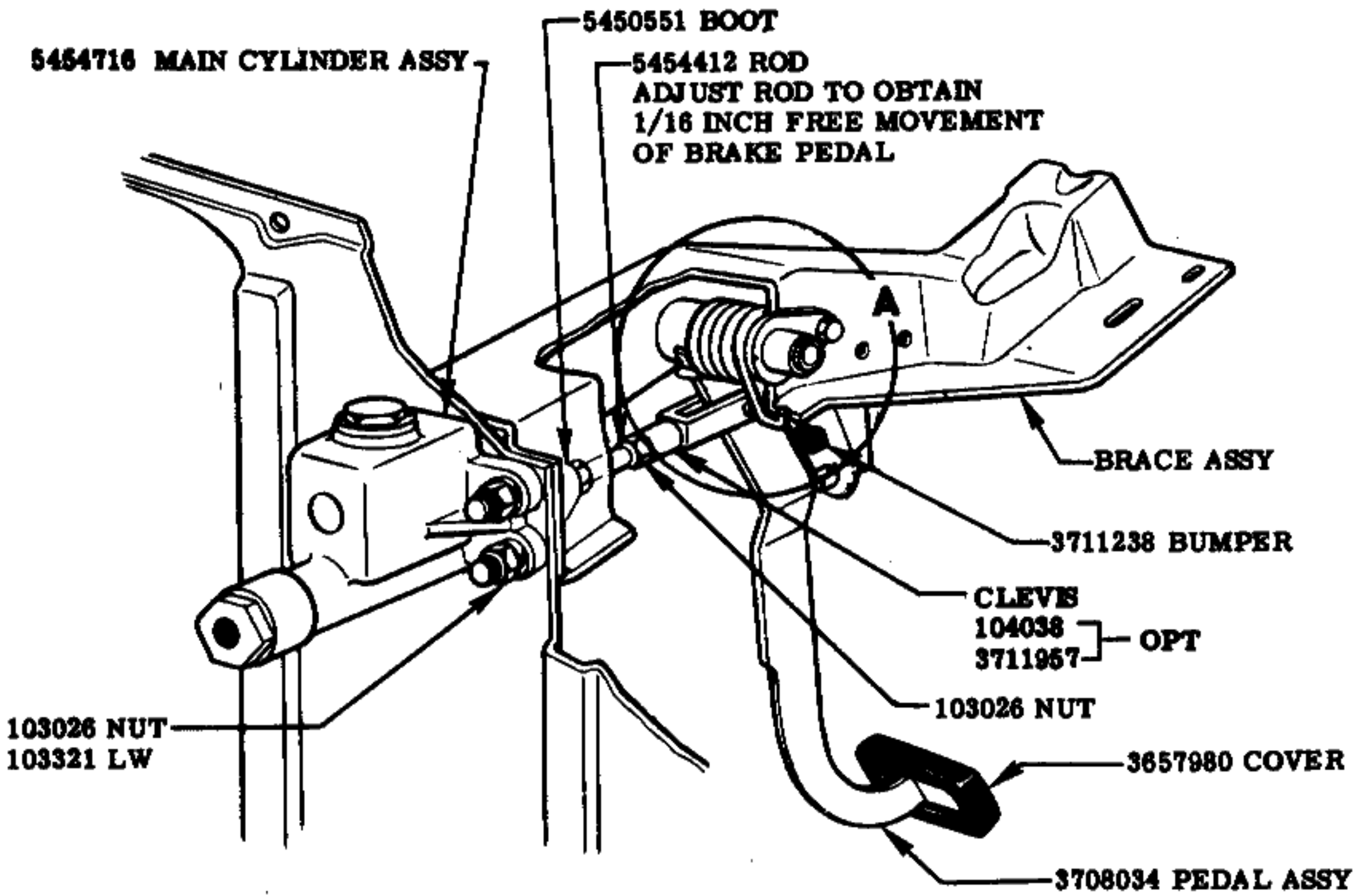
REAR BRAKE PIPES INSTRUCTION
SHEET 5.00

PARKING BRAKE INSTRUCTION
SHEET 6.00

MODELS
ALL

BRAKE INSTRUCTION

						NAME PASSENGER CAR INSTRUCTION MANUAL				
						REF.	DRAWN	CHECKED	SECT.	SHEET
9-22-55	1	VIEW REVISED	2592	F	DATE	PART No.			5	1.00
DATE	SYM.	REVISION RECORD	AUTH.	DR.	CL.	7-25-65	3726600			



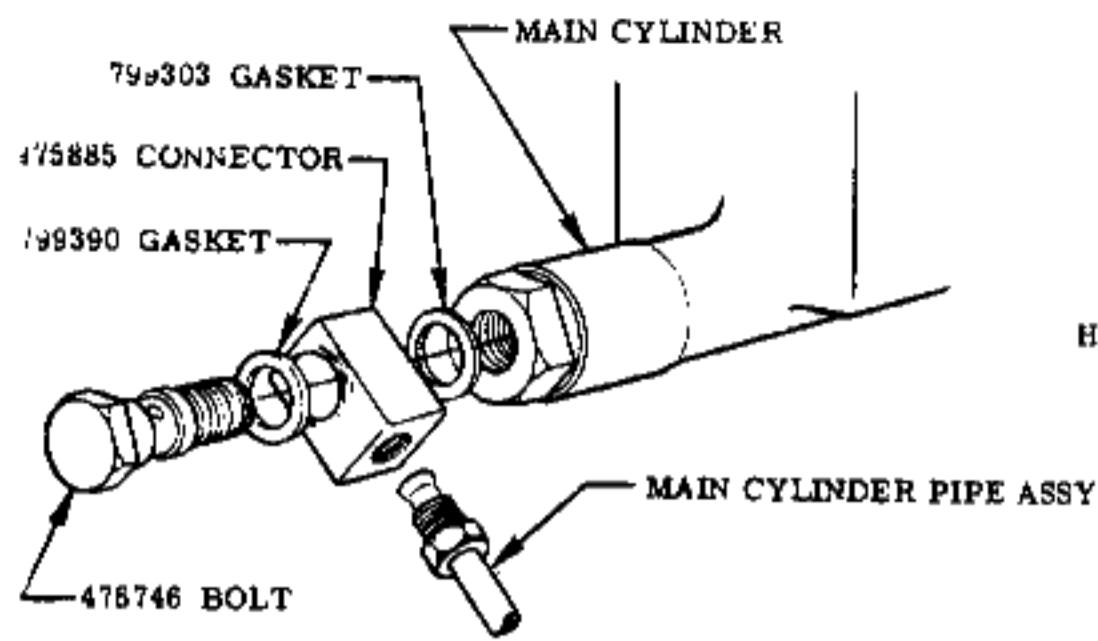
BRAKE PEDAL & MAIN CYLINDER INSTRUCTION

VIEW A

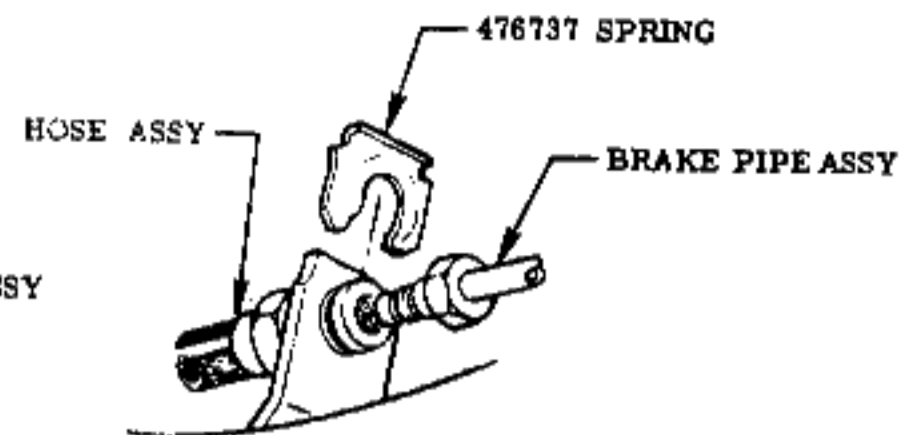
MODELS

ALL

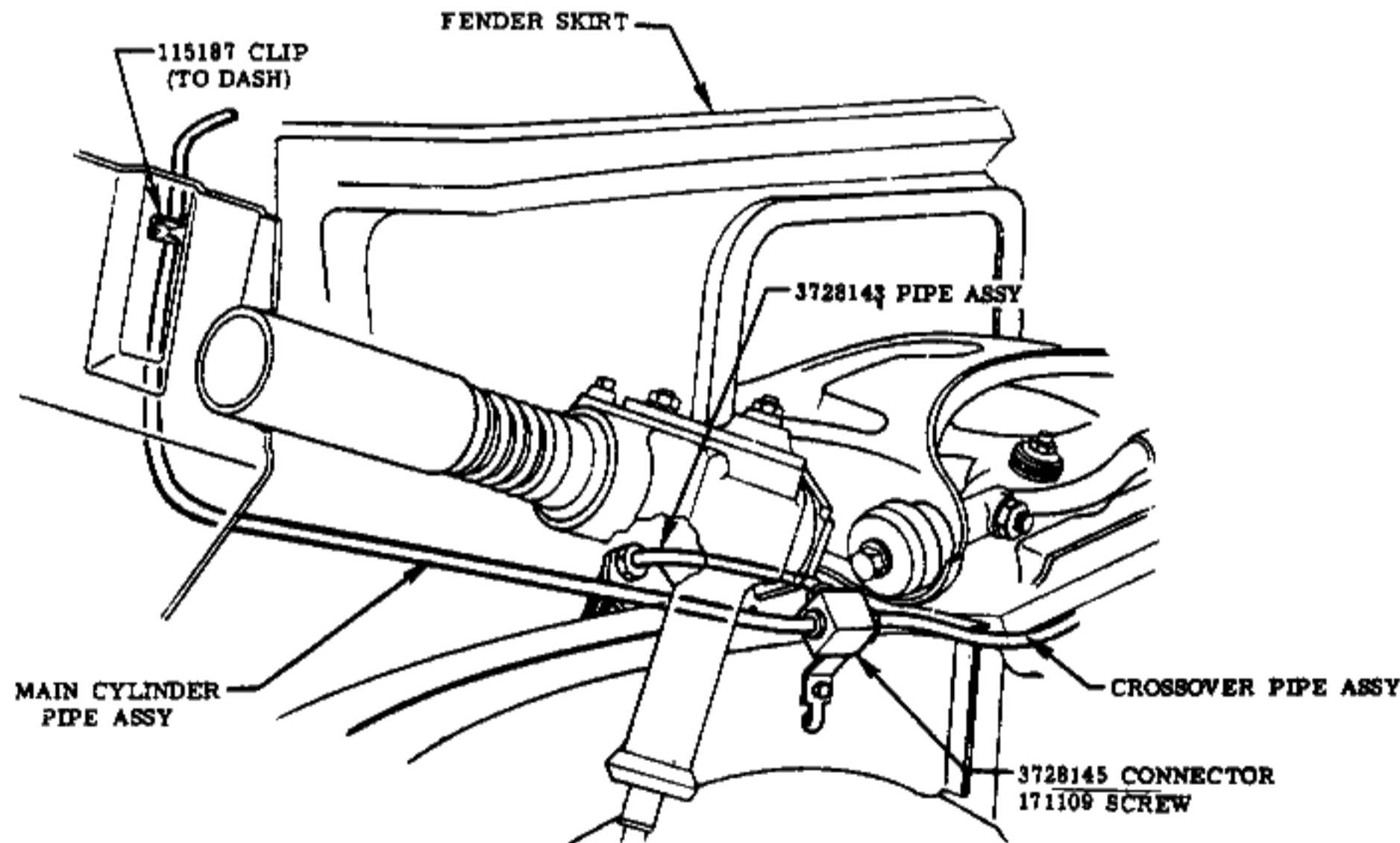
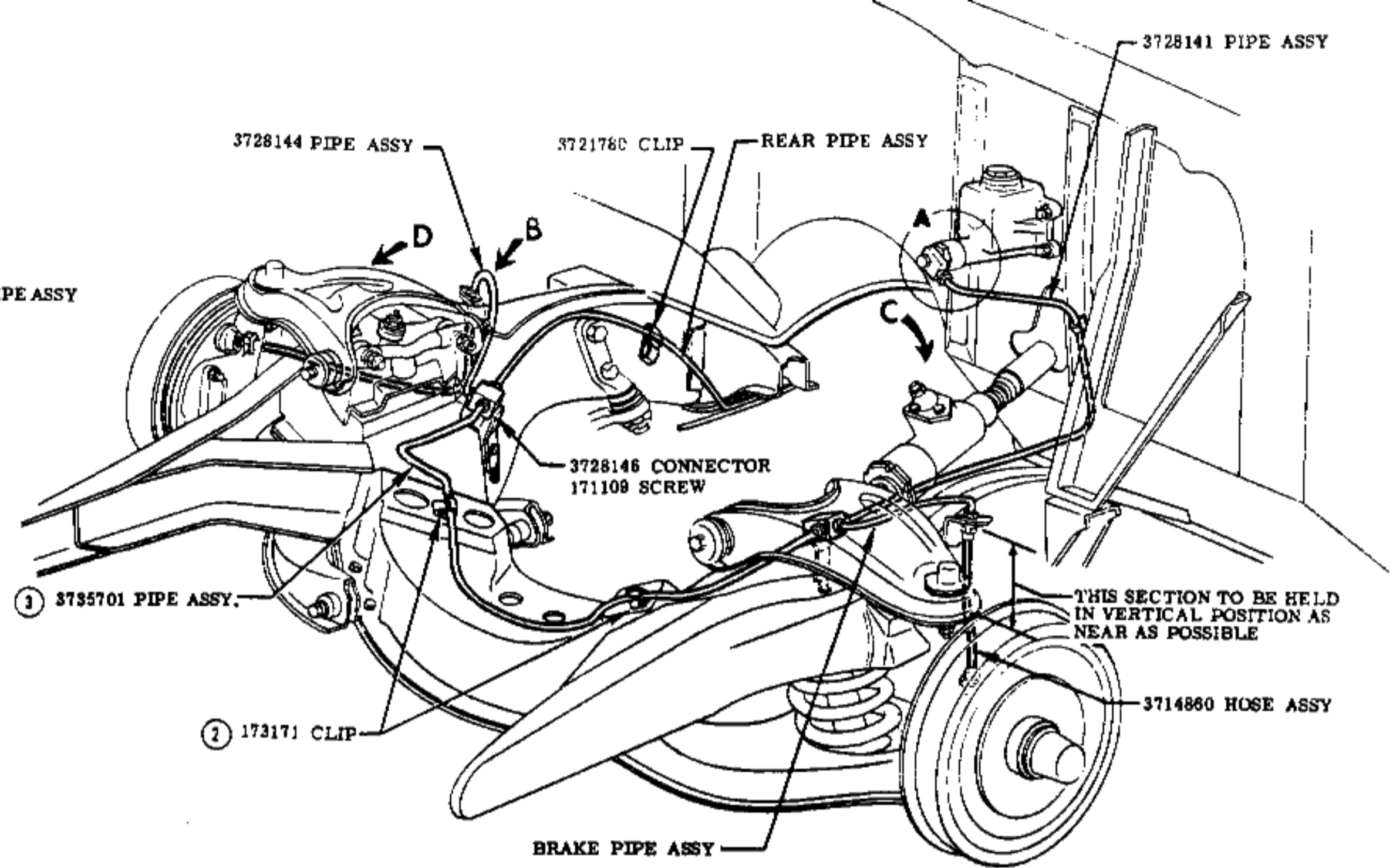
						NAME PASSENGER CAR INSTRUCTION MANUAL				
						REF.	DRAWN	CHECKED	SECT.	SHEET
								F	5	2.00
DATE	SYM.	REVISION RECORD	AUTH.	DR.	CK.	DATE	PART No.			
						7-25-55	3726600			



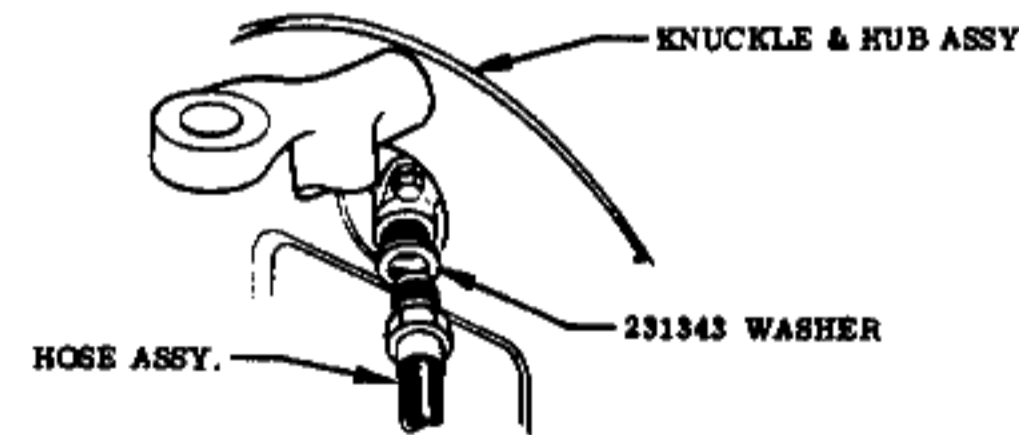
VIEW A



VIEW B



VIEW C

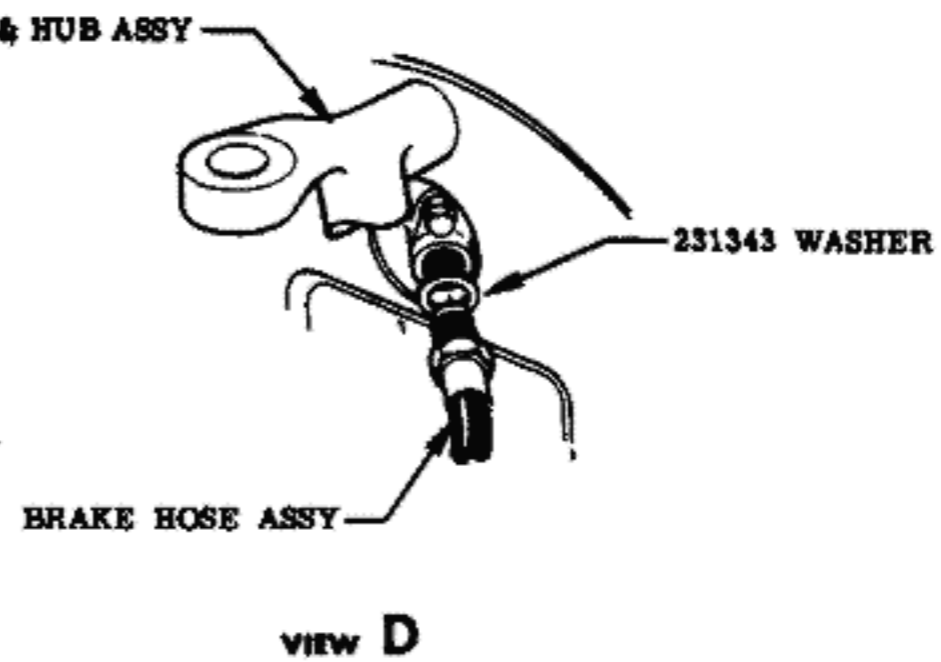
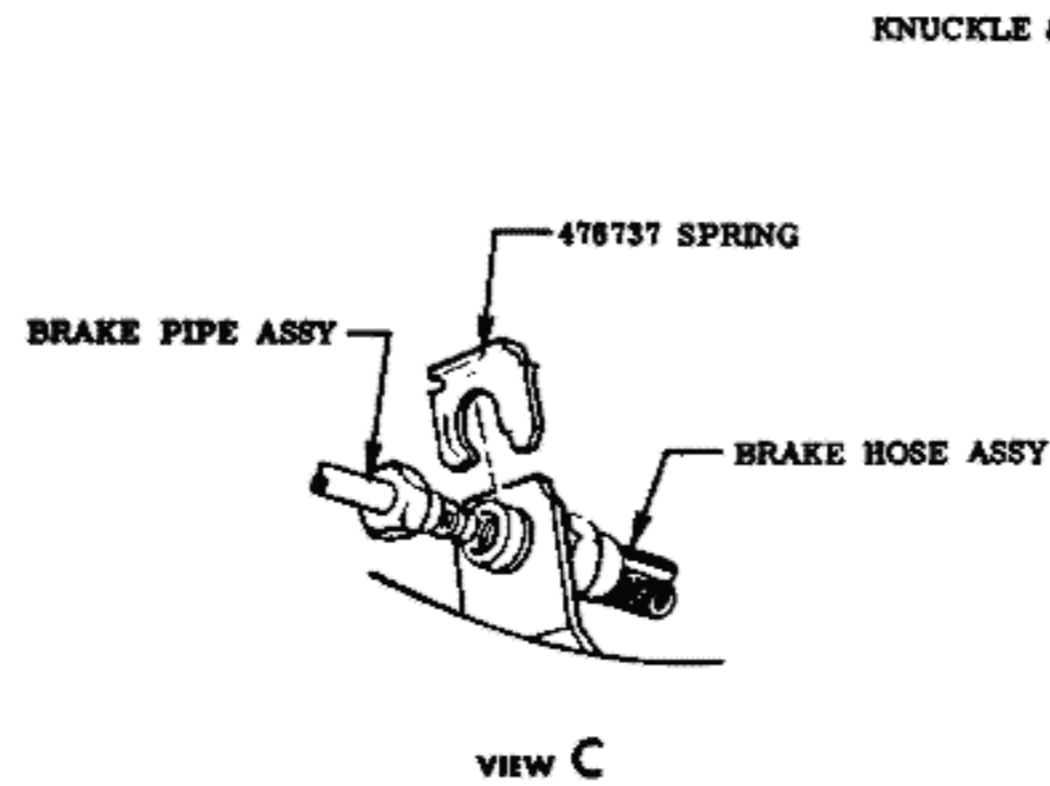
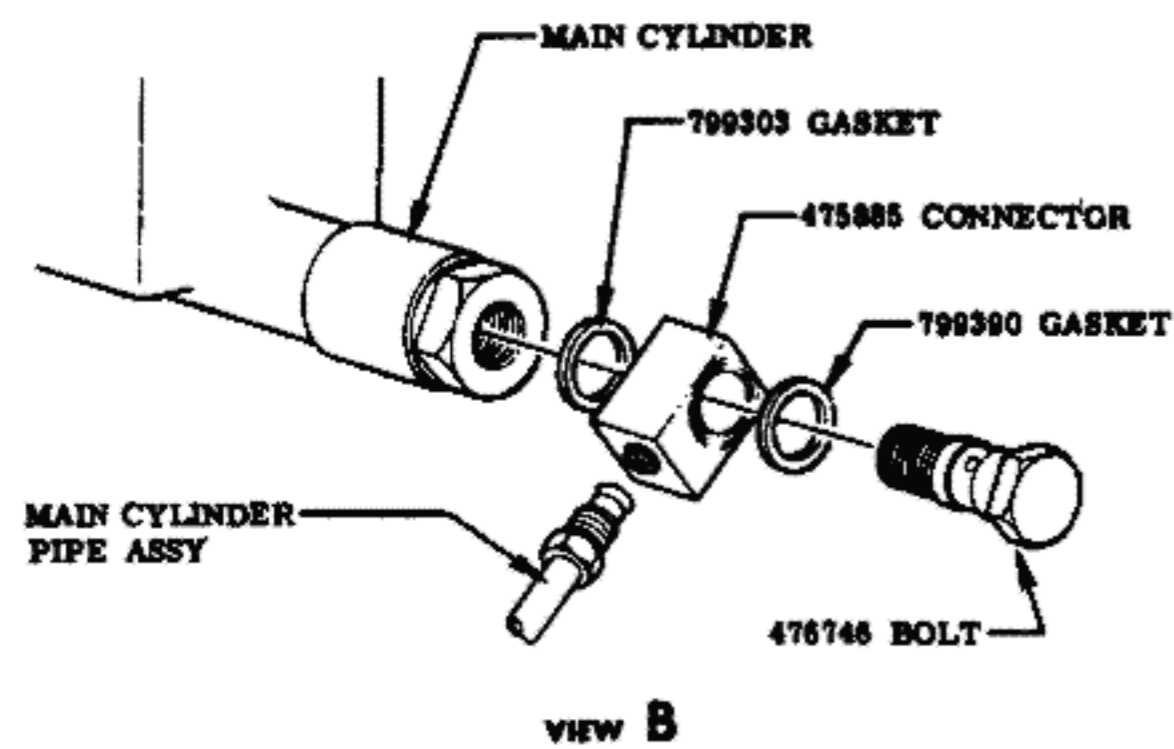
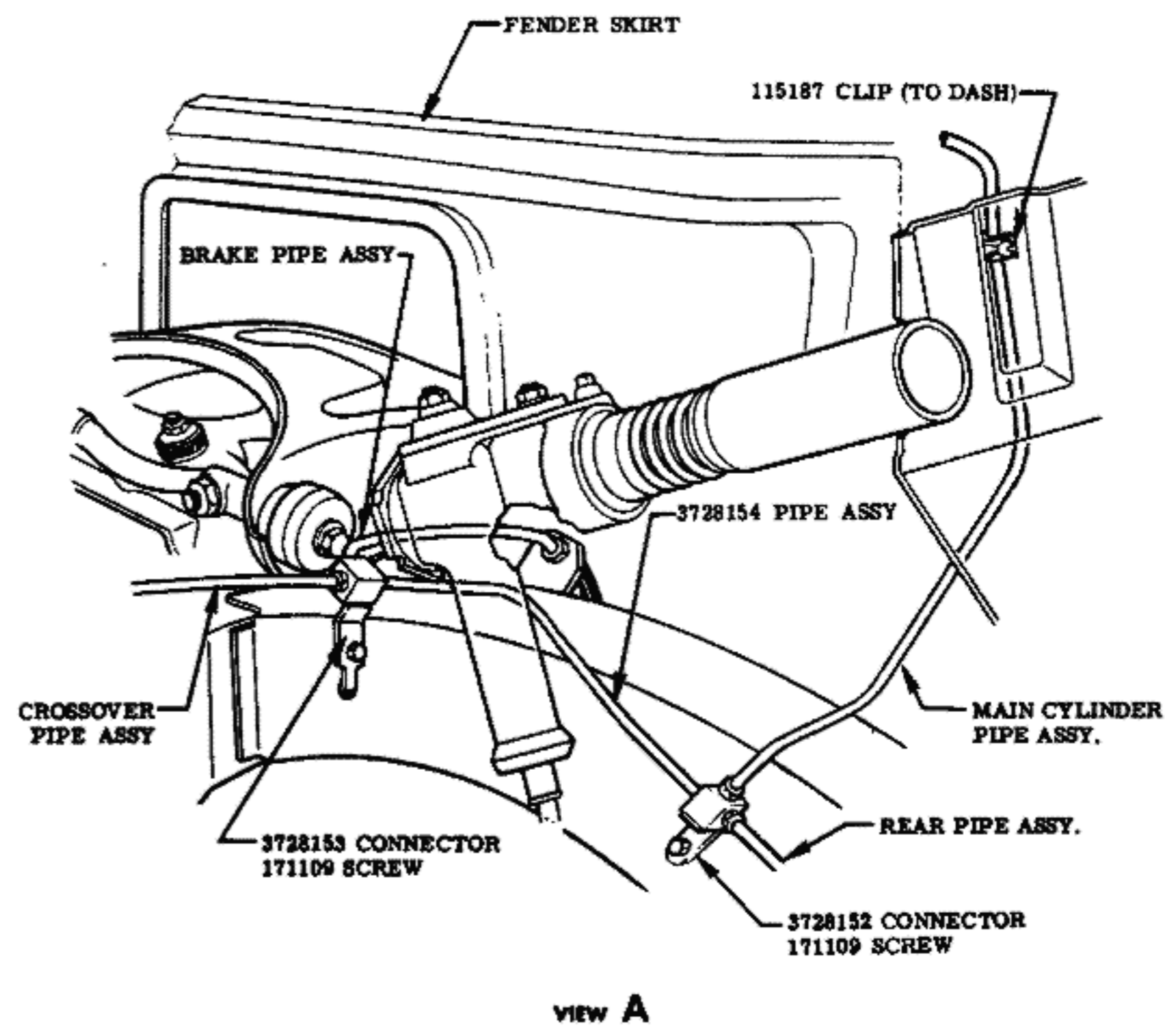
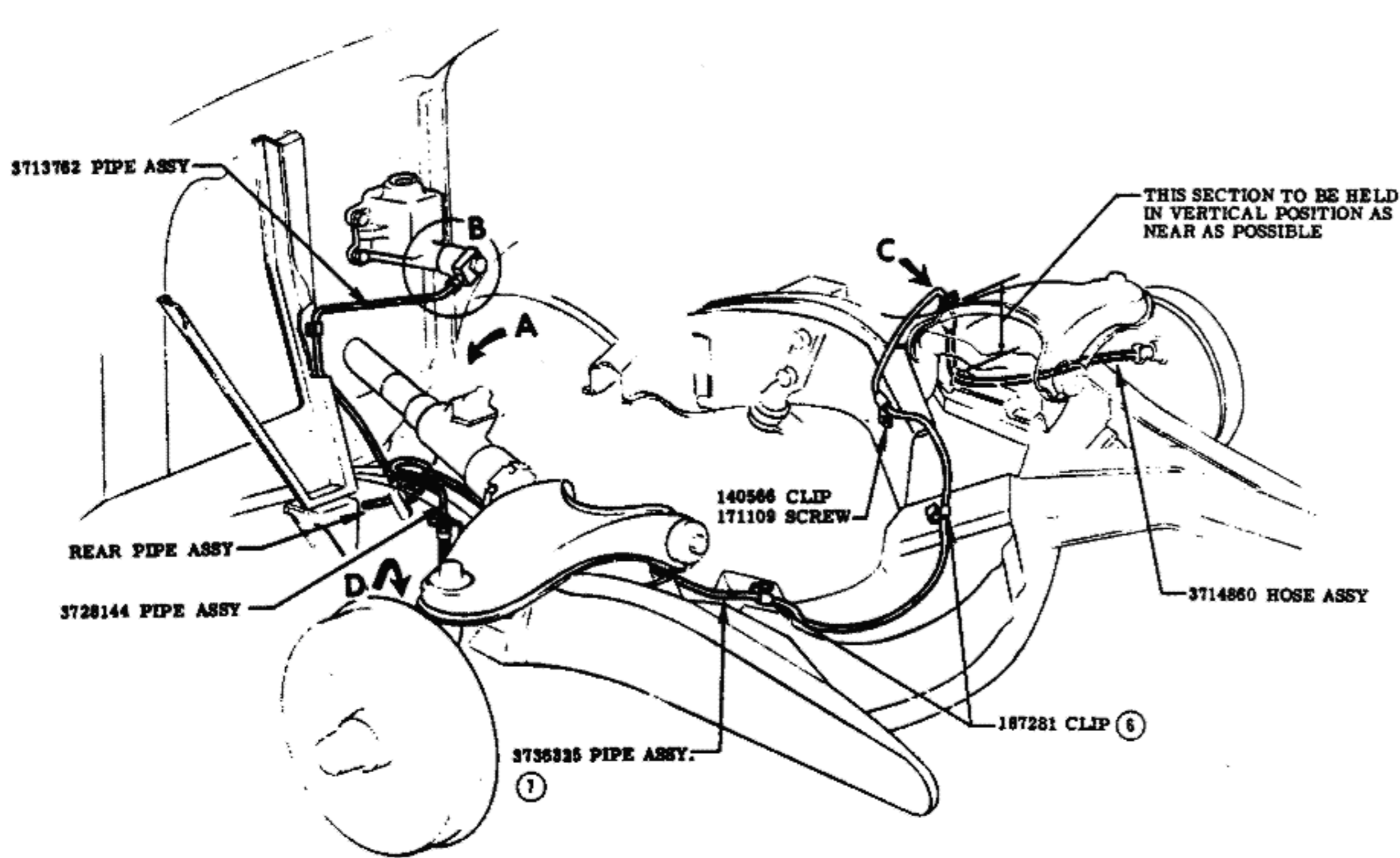


VIEW D

MODELS
ALL LD

FRONT BRAKE PIPES INSTRUCTION

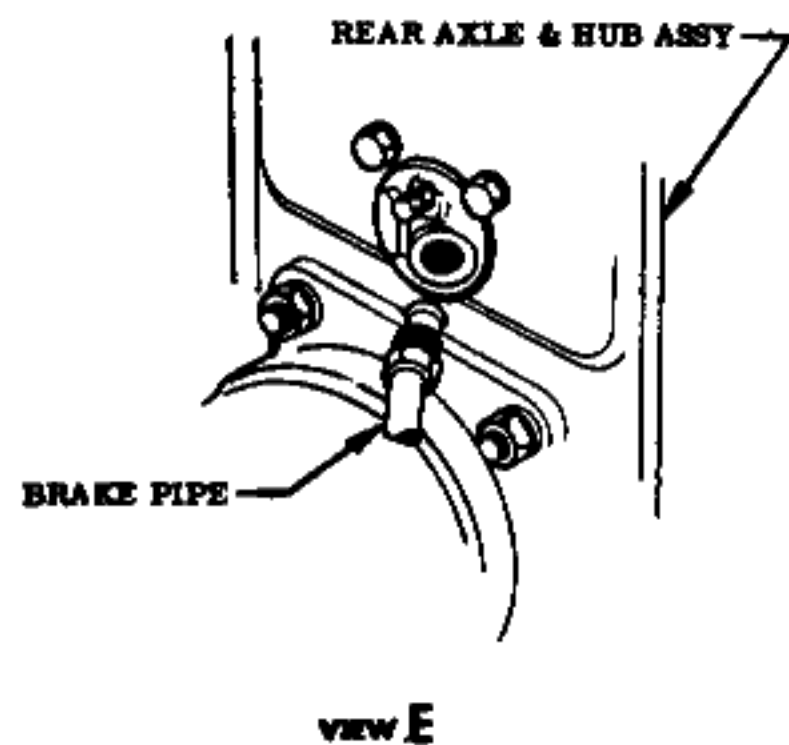
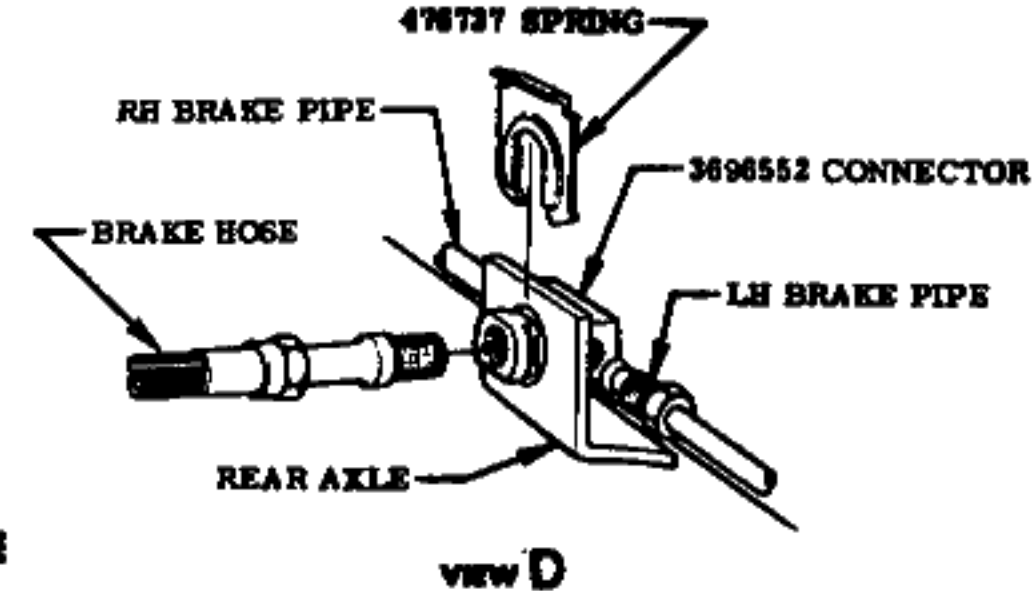
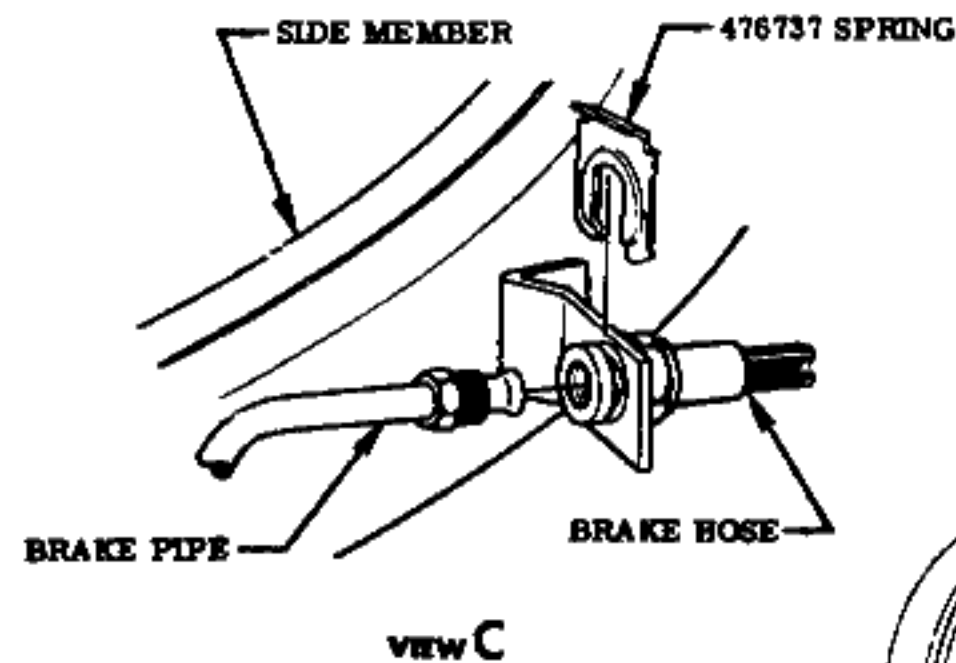
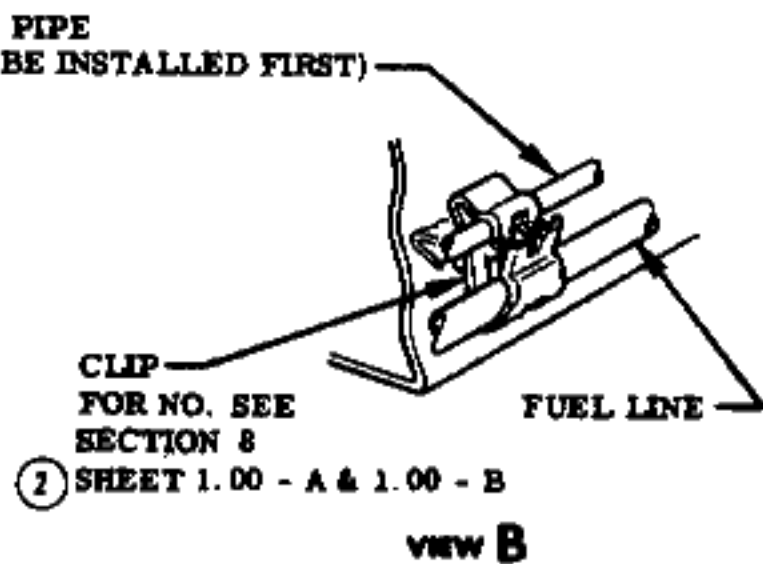
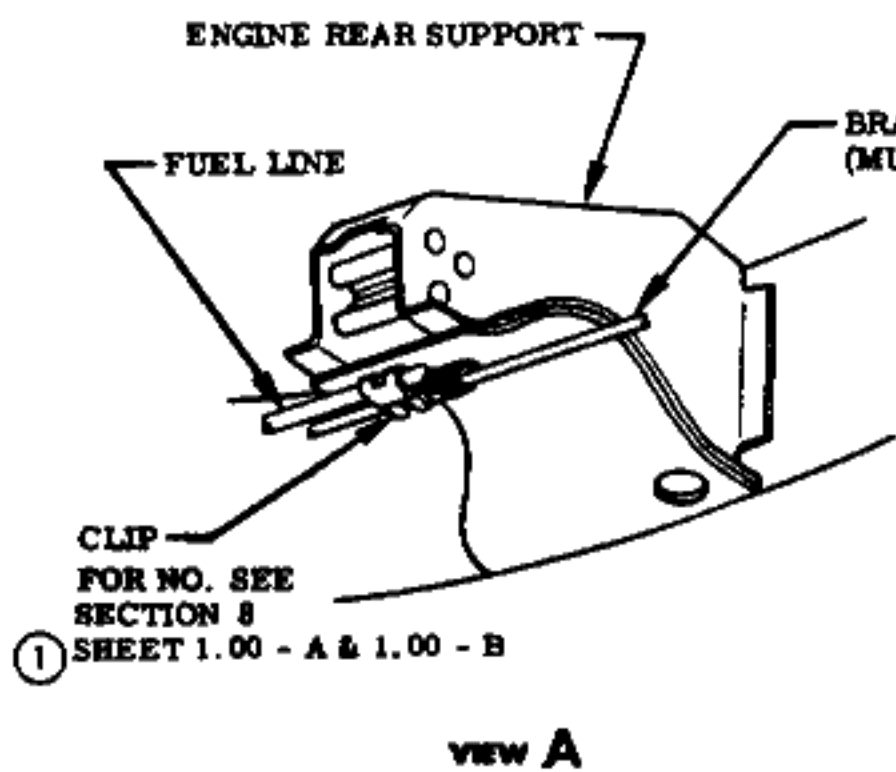
						NAME PASSENGER CAR INSTRUCTION MANUAL				
DATE	SYM.	REVISION RECORD	AUTH.	DR.	CK.	REF.	DRAWN	CHECKED	SECT.	SHEET
	3	WAS 3728142				V	F			
4-23-56	2	WAS ONE & RELOCATED 8491	9286						F	
9-22-55	1	REDRAWN & REVISED	2592			F				
						DATE 7-25-55	PART No. 3726600		5	3.00



FRONT BRAKE PIPES INSTRUCTION

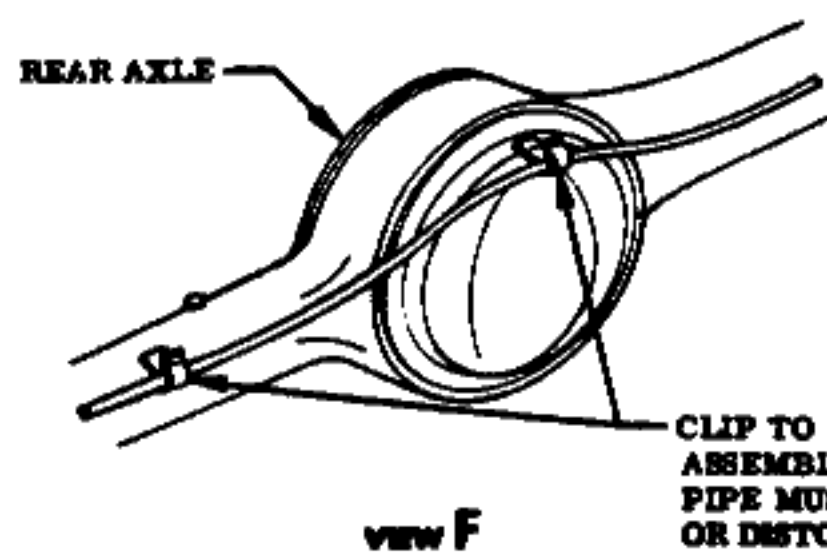
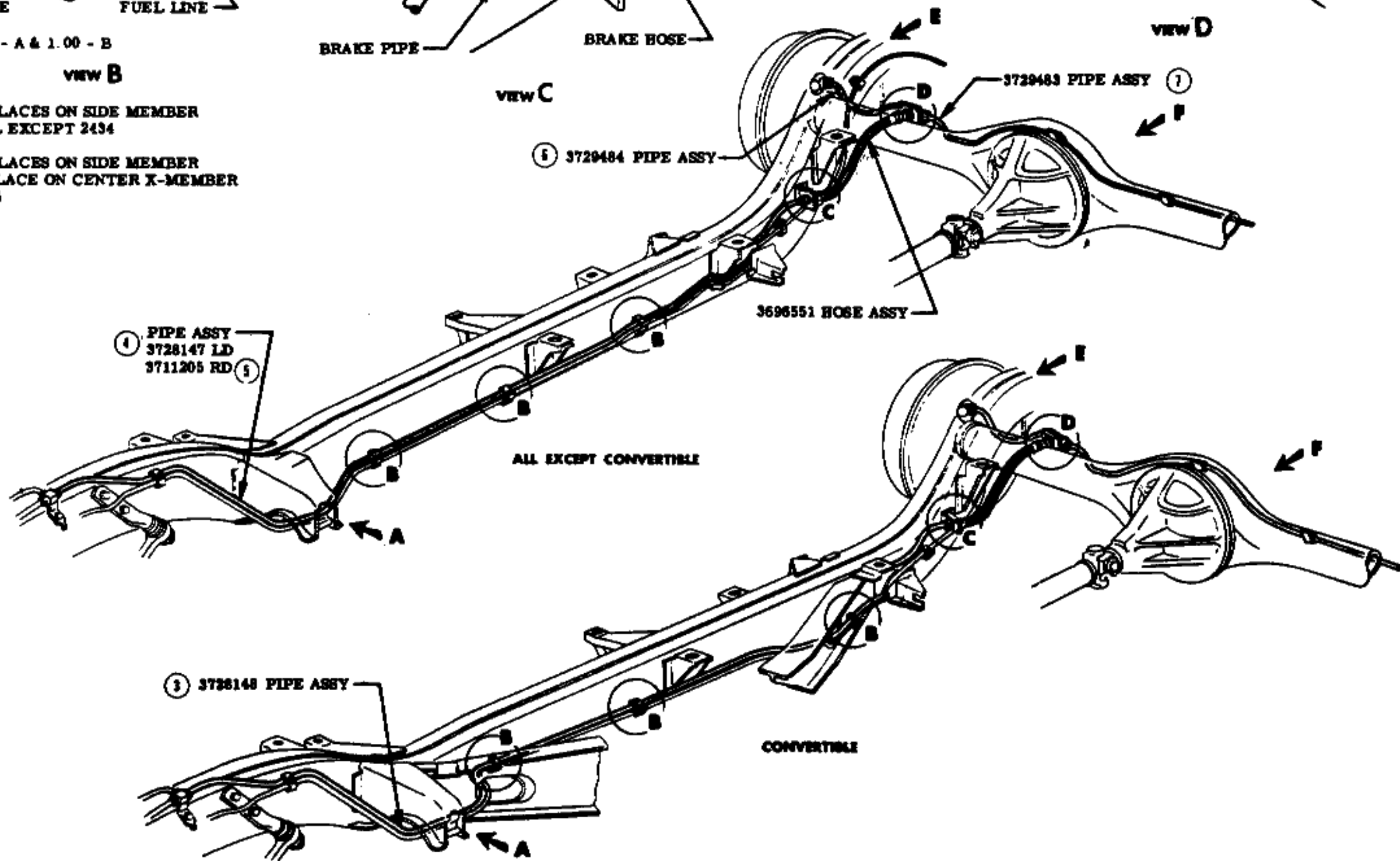
**MODELS
ALL RD**

NAME PASSENGER CAR INSTRUCTION MANUAL										
DATE	SYM.	REVISION RECORD	AUTH.	DR.	CK.	REF.	DRAWN	CHECKED	SECT.	SHEET
	7	WAS 3728151		V	F					
	6	WAS ONE & RELOCATED								
4-23-56	5	REDRAWN	9491	9288		DATE	PART No.		5	4.00
						7-25-55	3726600			



3 PLACES ON SIDE MEMBER
ALL EXCEPT 2434

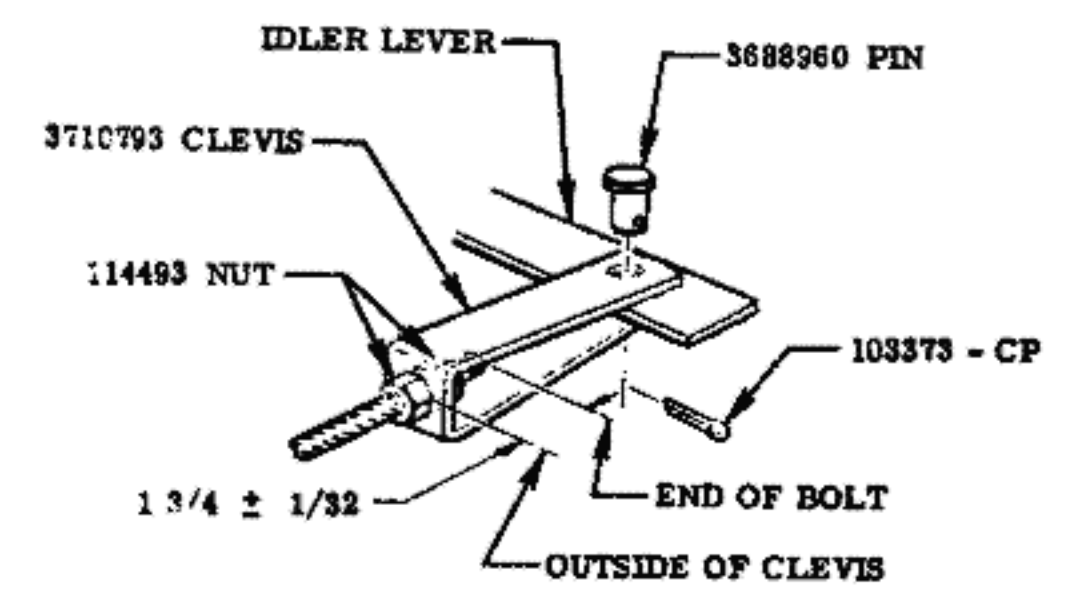
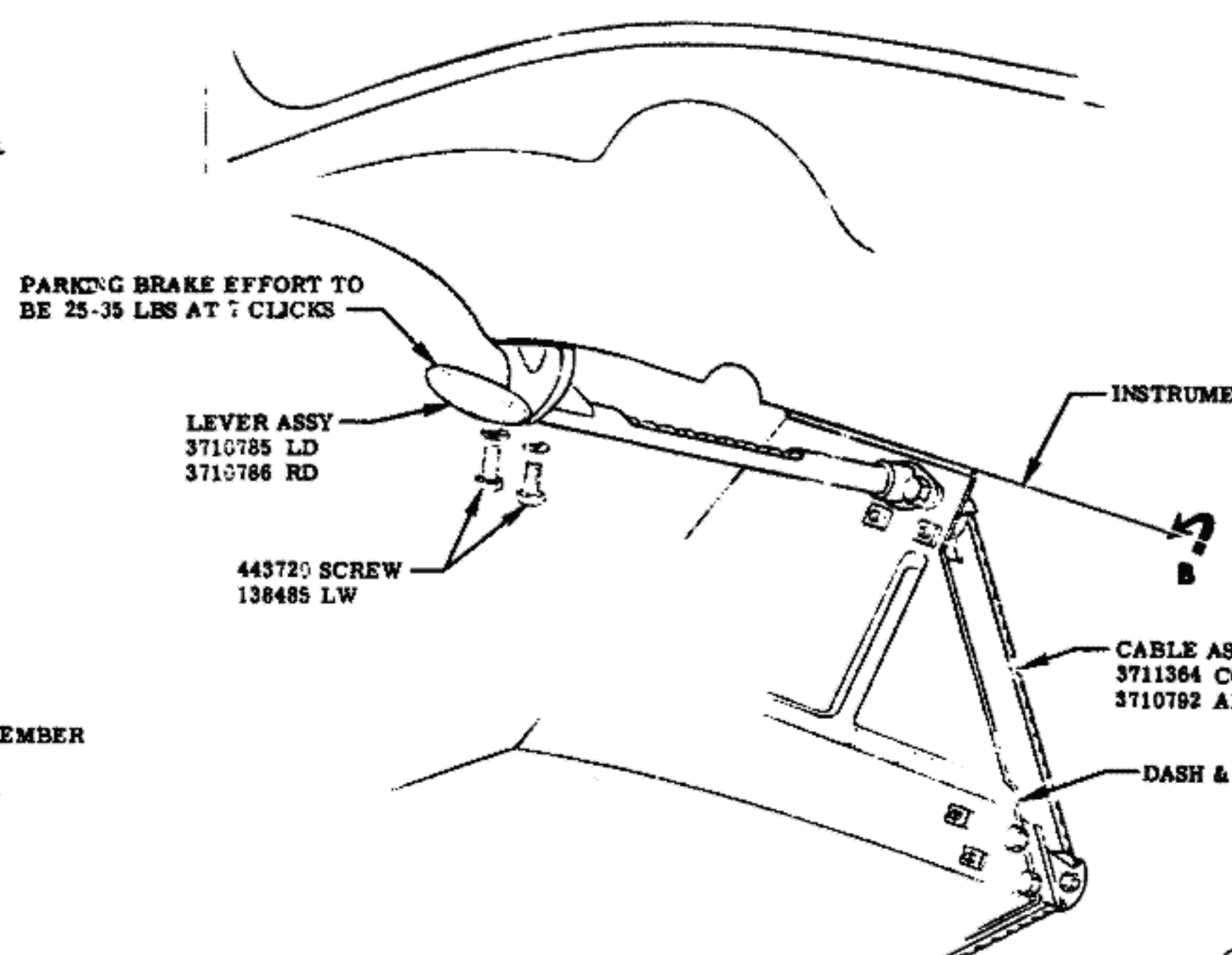
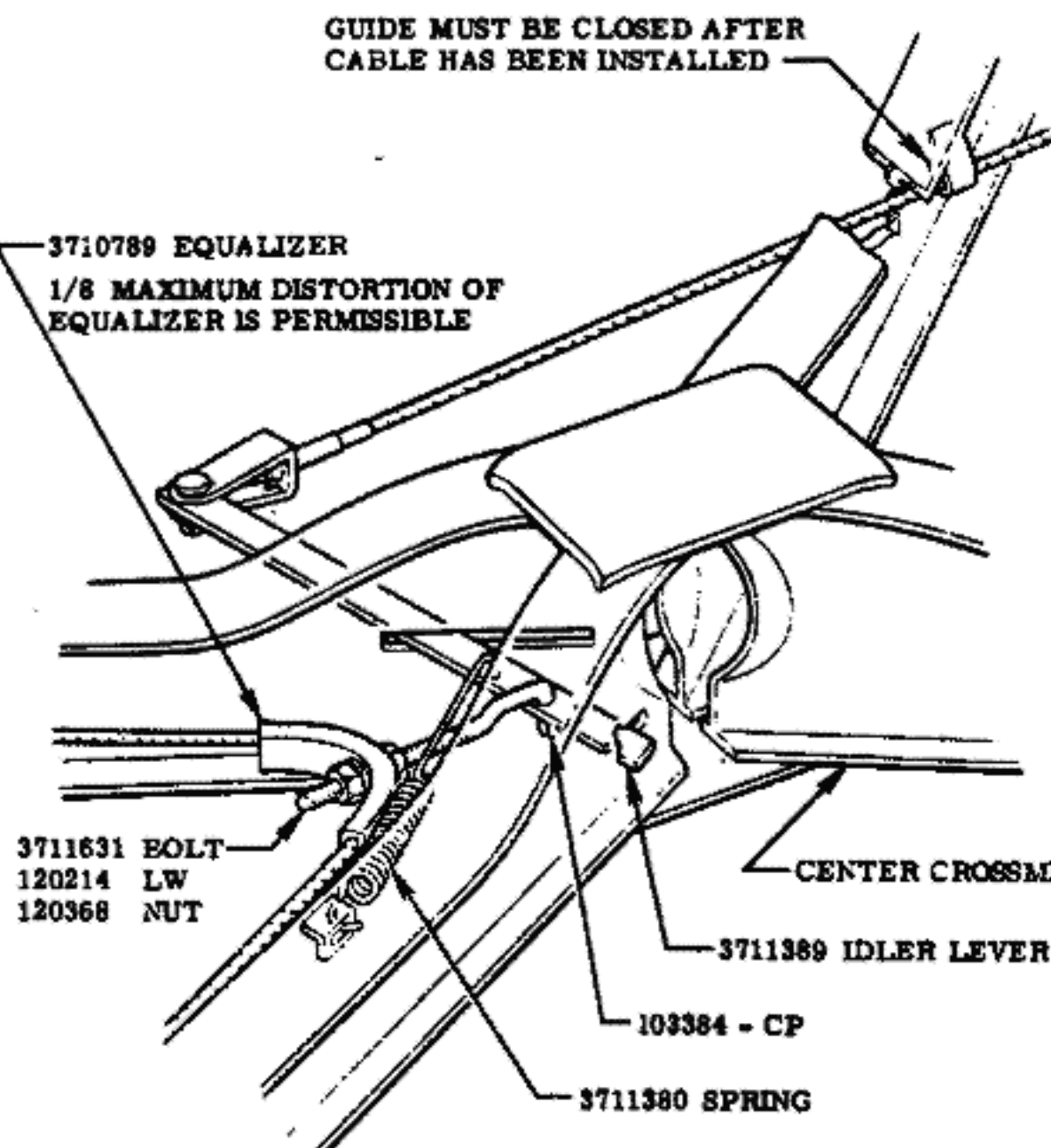
2 PLACES ON SIDE MEMBER
1 PLACE ON CENTER X-MEMBER
2434



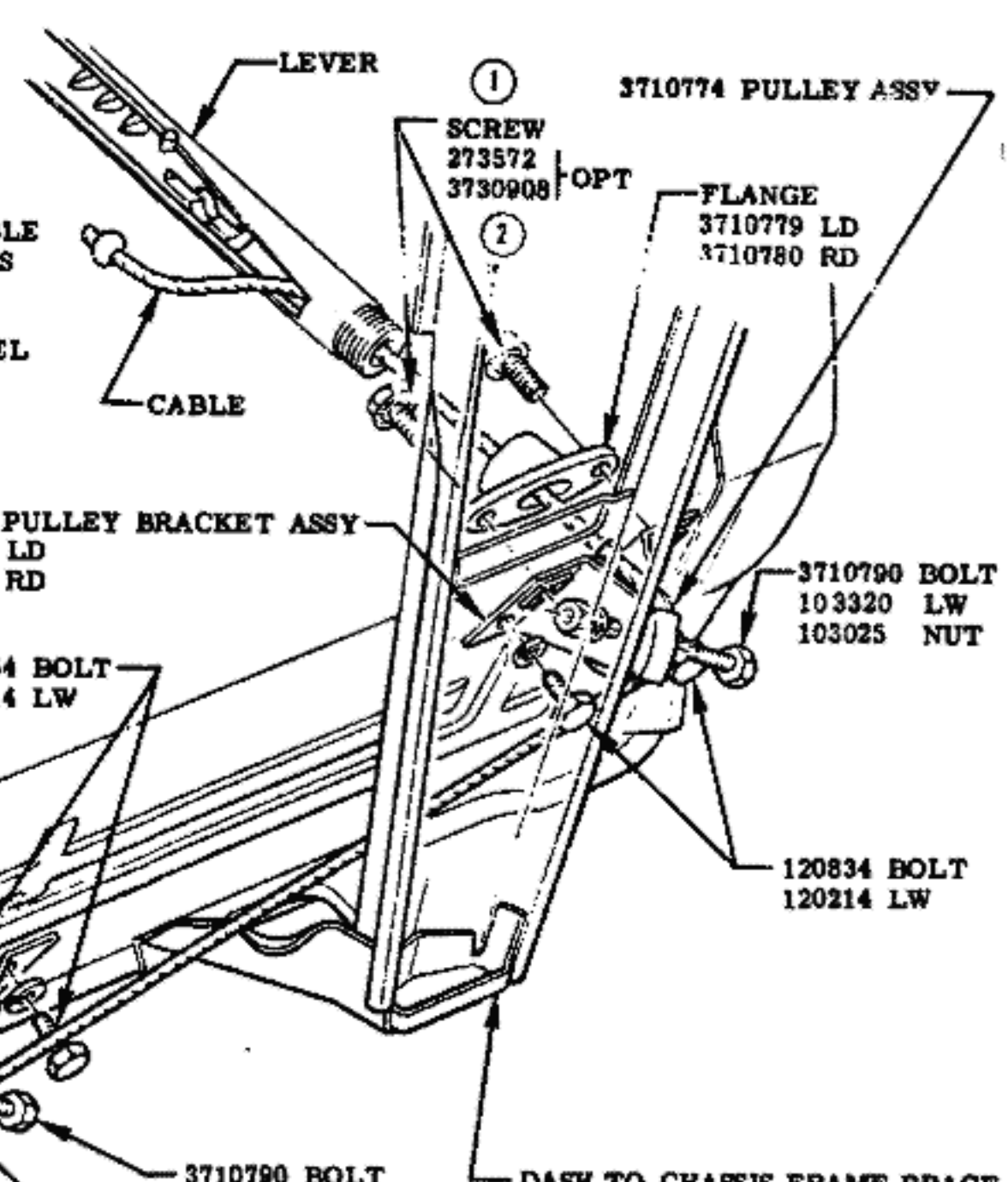
MODELS
ALL

REAR BRAKE PIPES INSTRUCTION

DATE	SYM.	REVISION RECORD	AUTH.	DR.	CL.	NAME	DRAWN	CHECKED	SECT.	SHEET
		7 WAS 3703312				PASSENGER CAR INSTRUCTION MANUAL			F	
		8 WAS 3714854	3302							
		5 RD ADDED								
		4 3728147 LD ADDED	4366							
		3 WAS 3710789	2502							
		2 WAS SHEET 1.00 & 1.01								
10-17-55		1 WAS SHEET 1.00 & 1.01								
						DATE	PART No.		5	5.00
						7-25-55	3726600			



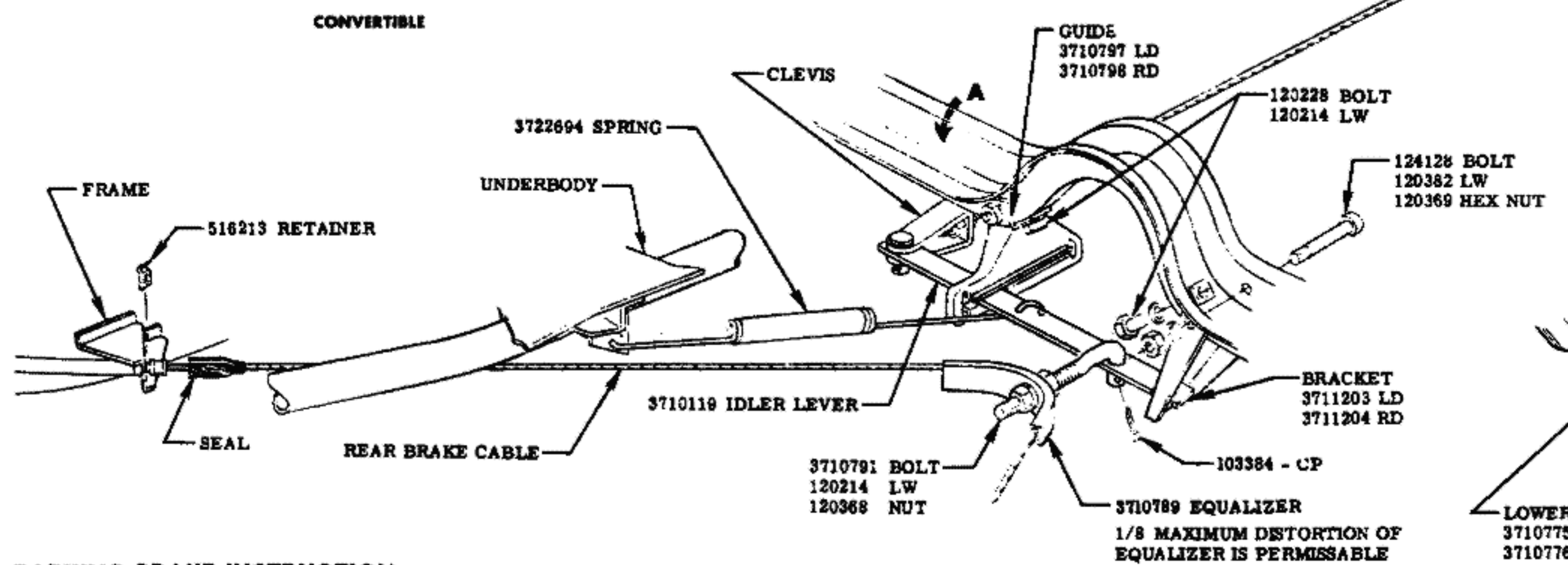
VIEW A



VIEW B

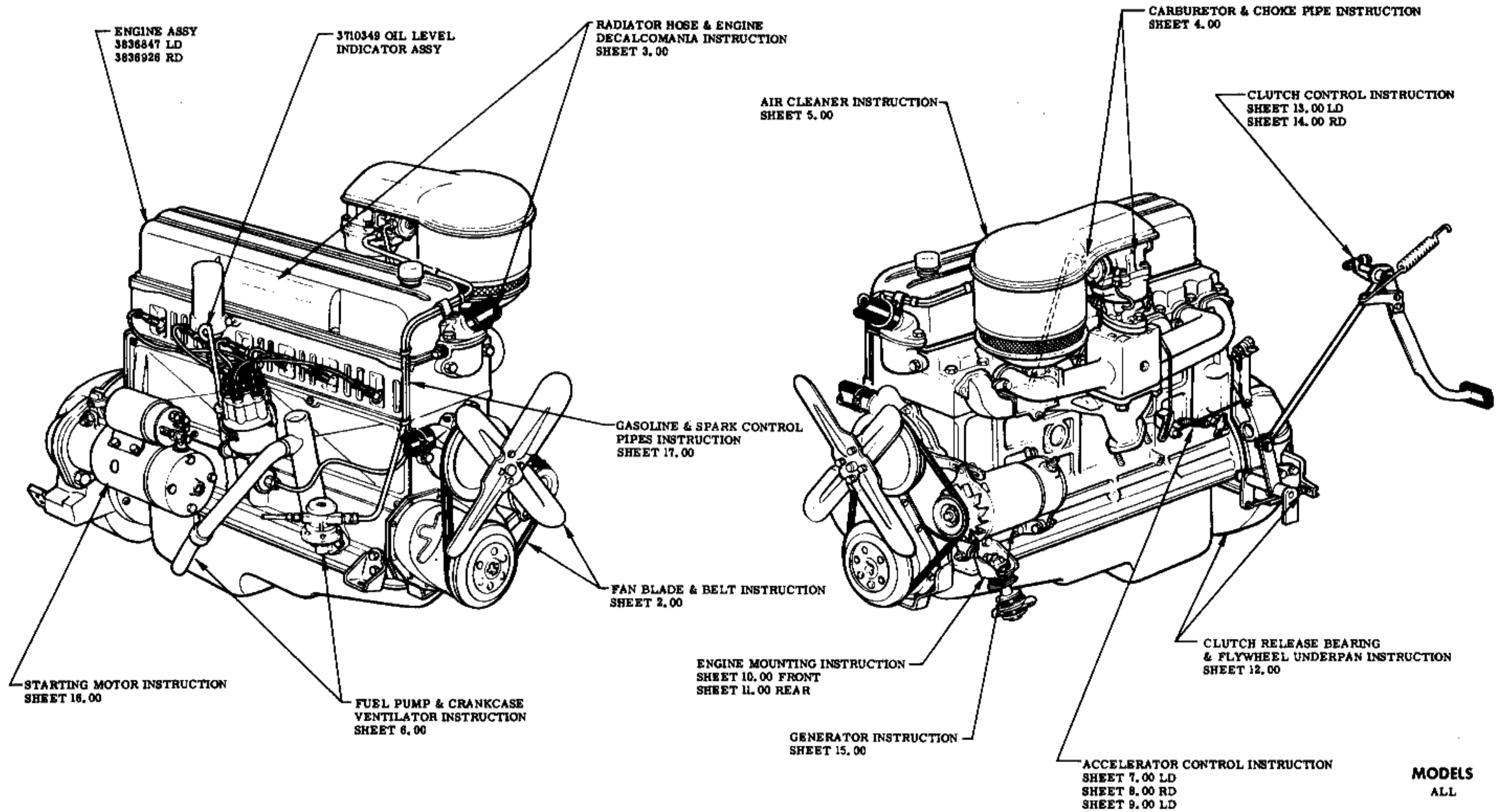
MODELS
ALL

CONVERTIBLE



PARKING BRAKE INSTRUCTION

REVISION RECORD		AUTH. DR. CK.		NAME	PASSENGER CAR INSTRUCTION MANUAL					
4-2-56	3	WAS 3610784 RD.		F	REF.	DRAWN	CHECKED	F	SECT.	SHEET
11-21-55	2	3730908 OPT ADDED	4530	F	DATE	PART No.				
10-18-55	1	WAS 3710926 BOLT	3090	F	7-25-55	3726600				
DATE	SYM.	REVISION RECORD	AUTH. DR. CK.						5	6.00



ENGINE INSTRUCTION

						NAME	PASSENGER CAR INSTRUCTION MANUAL			
						REF.	DRAWN	CHECKED	SECT.	SHEET
						DATE	PART No.		6	1.00
DATE	SYM.	REVISION RECORD	AUTH.	DR.	CK.	7-25-55	3726600			

3704803 FAN BLADE ASSY

426801 BOLT
103320 LW

3709993 PULLEY

3720616 REINFORCEMENT

3709713 BELT

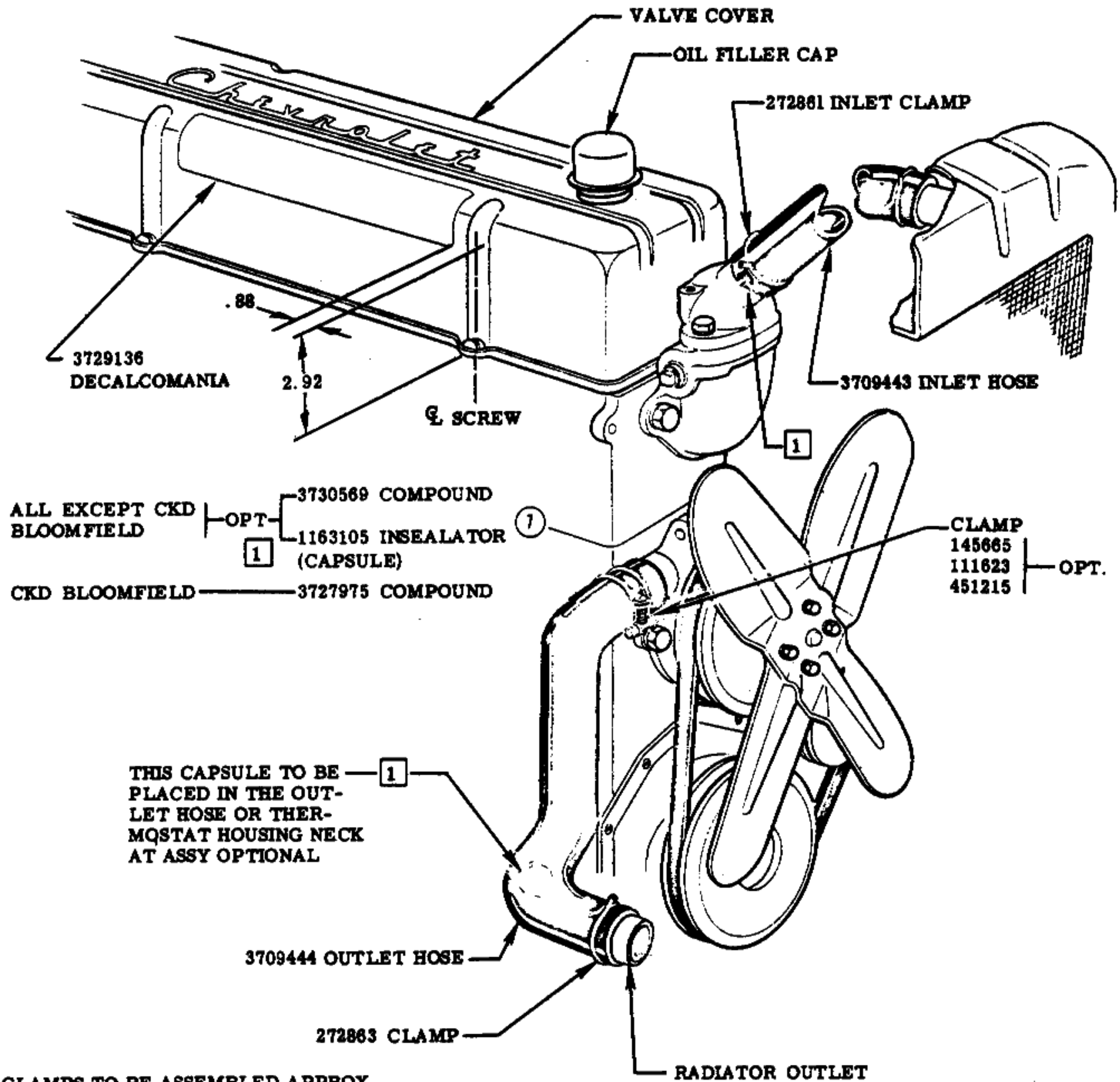
BELT ADJUSTMENT BOLT
(TO BE TIGHTENED AFTER
APPLYING A FORCE OF 75
LBS MEASURED AT THE Q.
OF THE GENERATOR)

ENGINE MOUNTING BRACKET

FAN BLADE & BELT INSTRUCTION

MODELS
ALL

						NAME	PASSENGER CAR INSTRUCTION MANUAL				
						REF.	DRAWN	CHECKED	F	SECT.	SHEET
						DATE	PART No.			6	2.00
DATE	SYM.	REVISION RECORD	AUTH.	DR.	CK.	7-25-55	3726600				



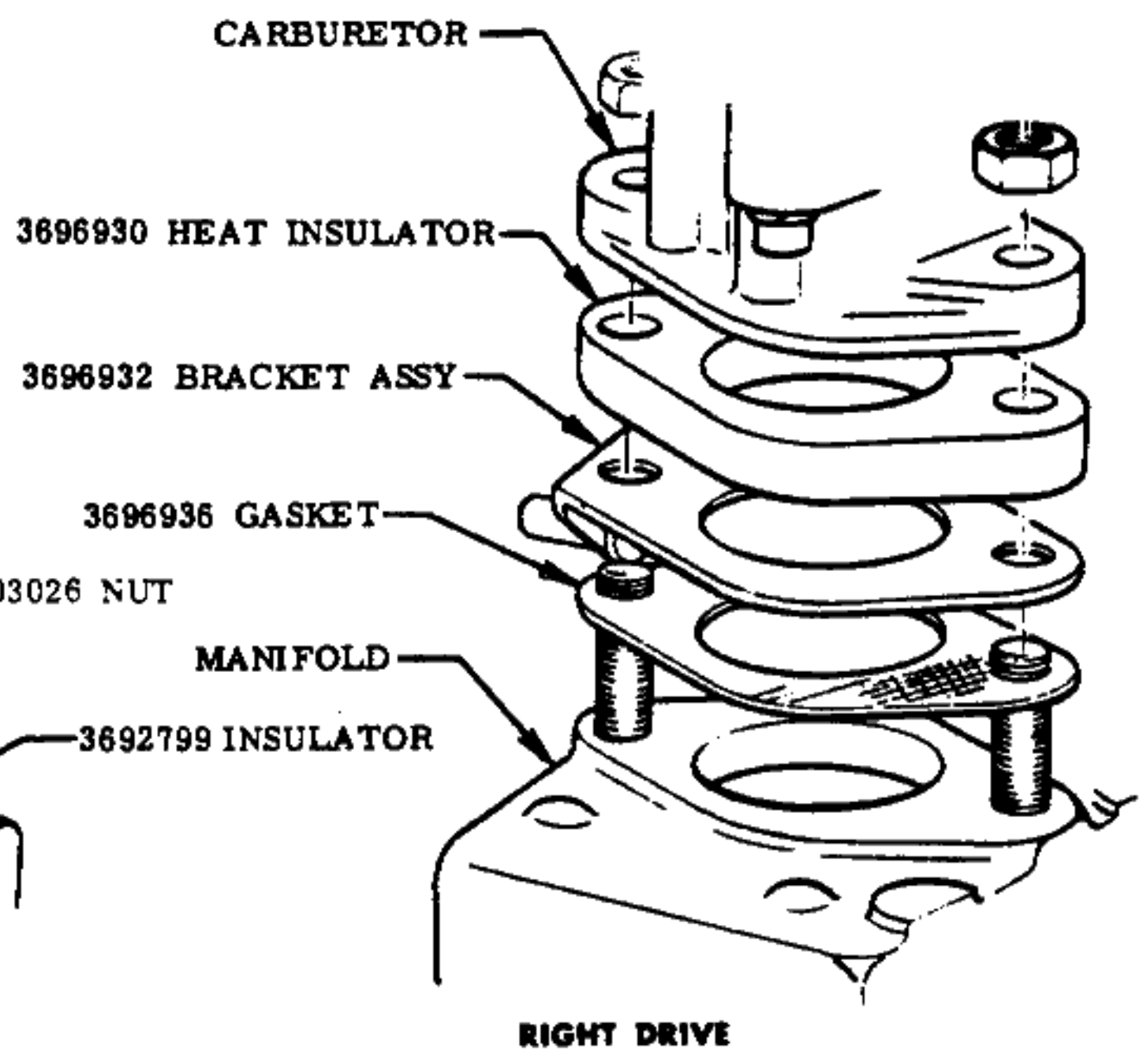
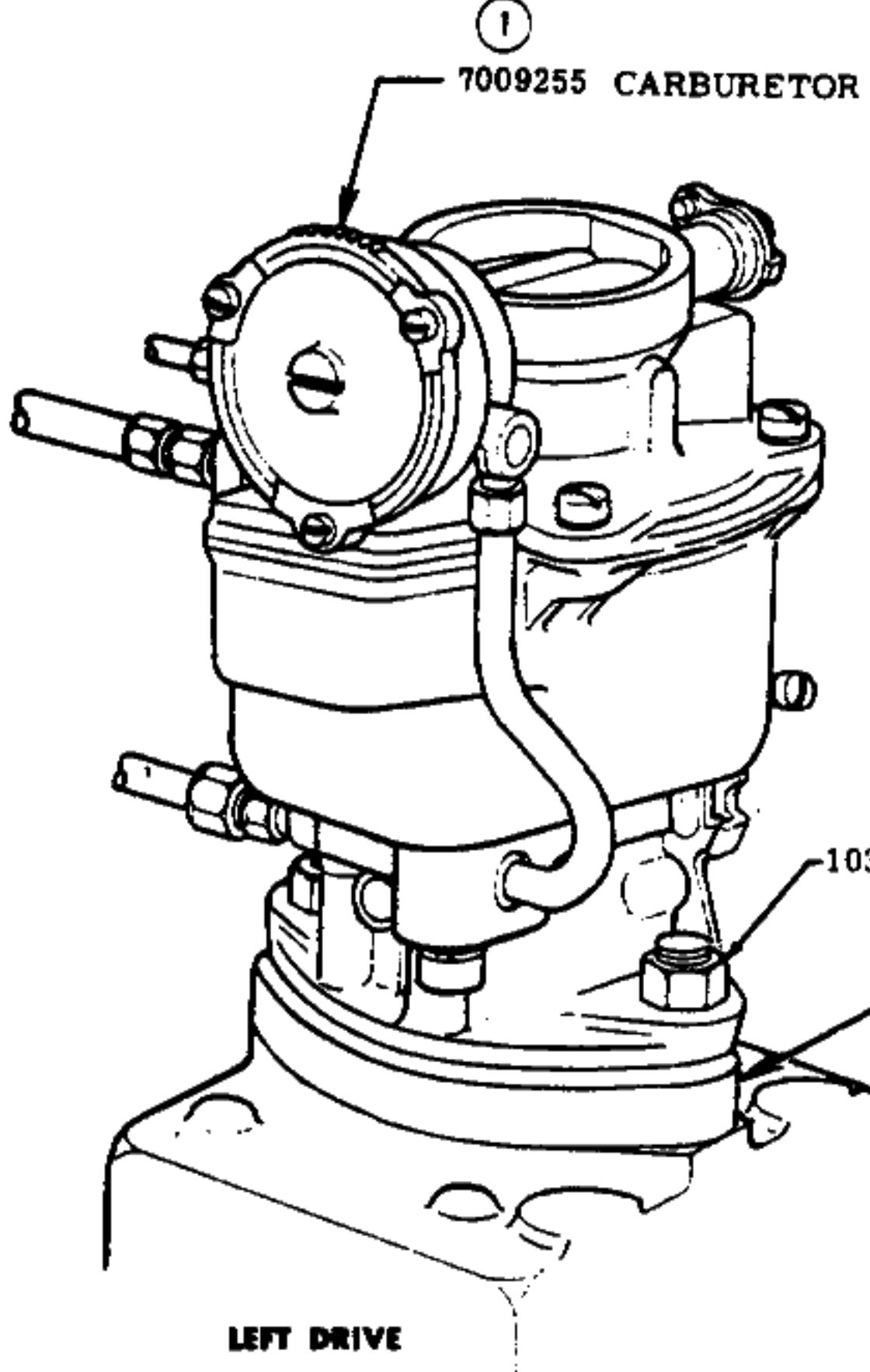
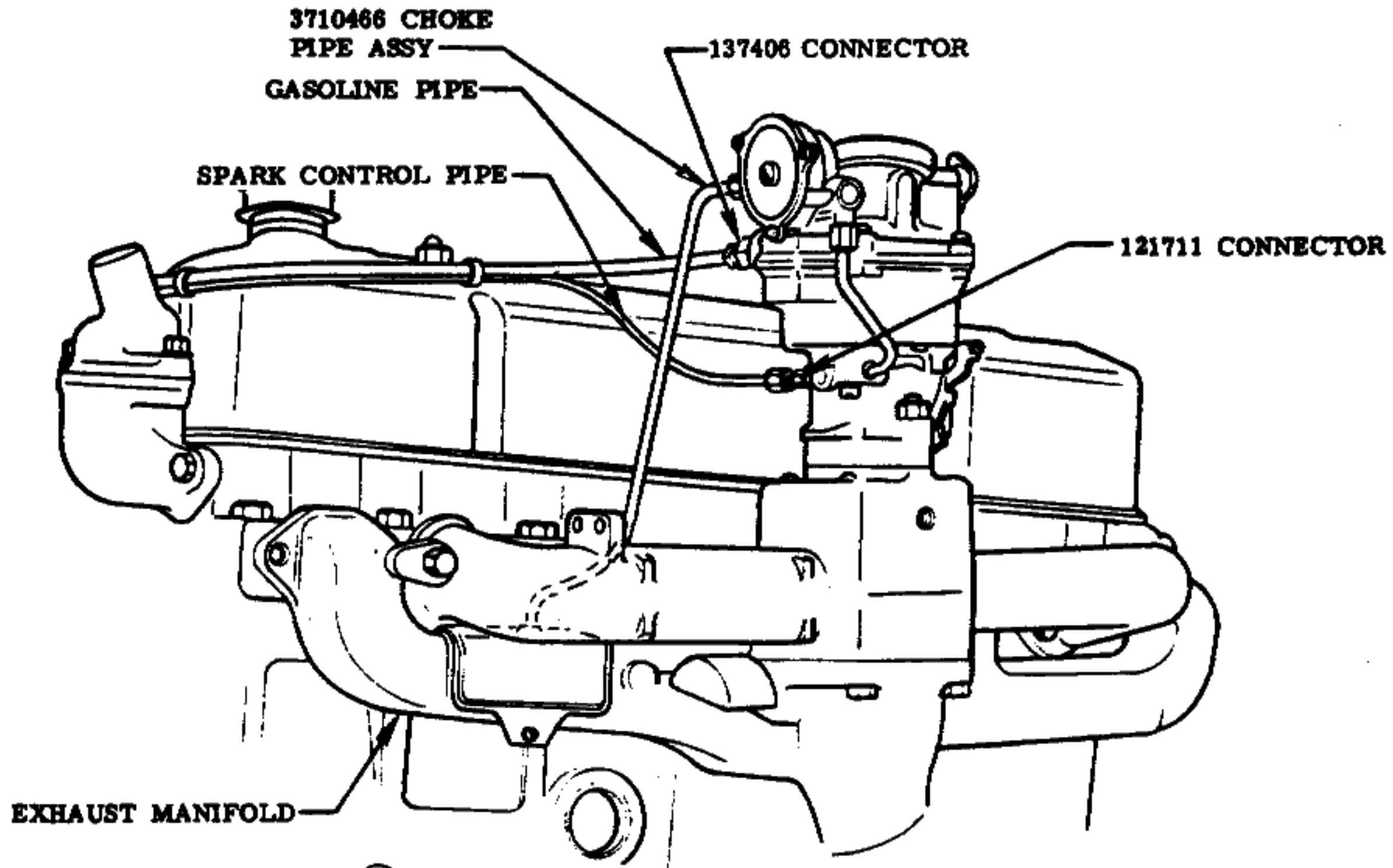
CLAMPS TO BE ASSEMBLED APPROX.
1/4 INCH FROM THE END OF THE HOSE

SEE LUBRICATION INSTRUCTION

RADIATOR HOSE & ENGINE DECALCOMANIA INSTRUCTION

MODELS
ALL

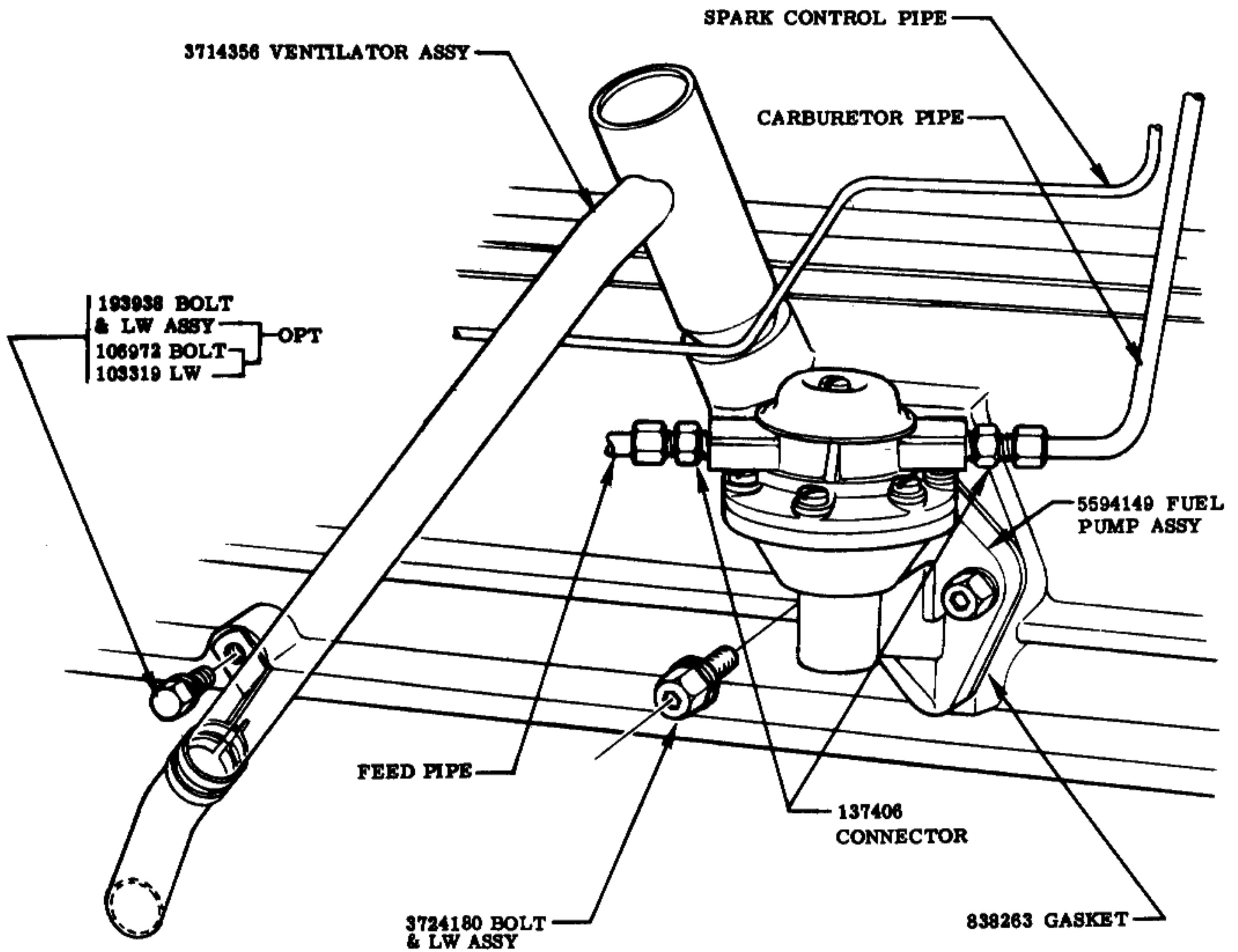
					NAME PASSENGER CAR INSTRUCTION MANUAL					
						REF.	DRAWN	CHECKED	SECT.	SHEET
	7	3727939 COMPOUND OPT.			F			F	6	3.00
		REMOVED								
5-1-56	6	REDRAWN	8440			DATE 7-25-55	PART No. 3726600			
DATE	SYM.	REVISION RECORD	AUTH.	DR.	CK.					



CARBURETOR & CHOKE PIPE INSTRUCTION

MODELS ALL

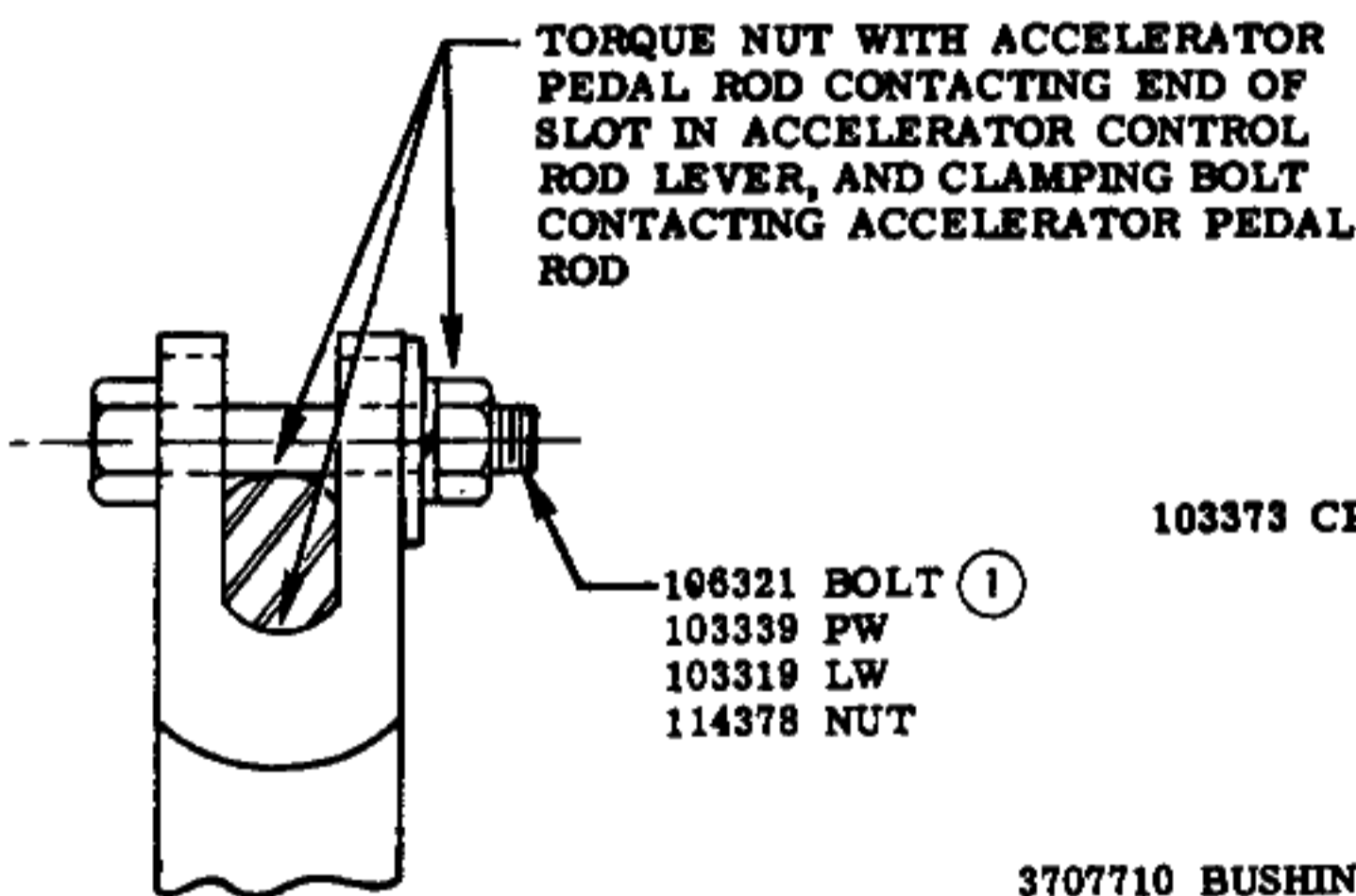
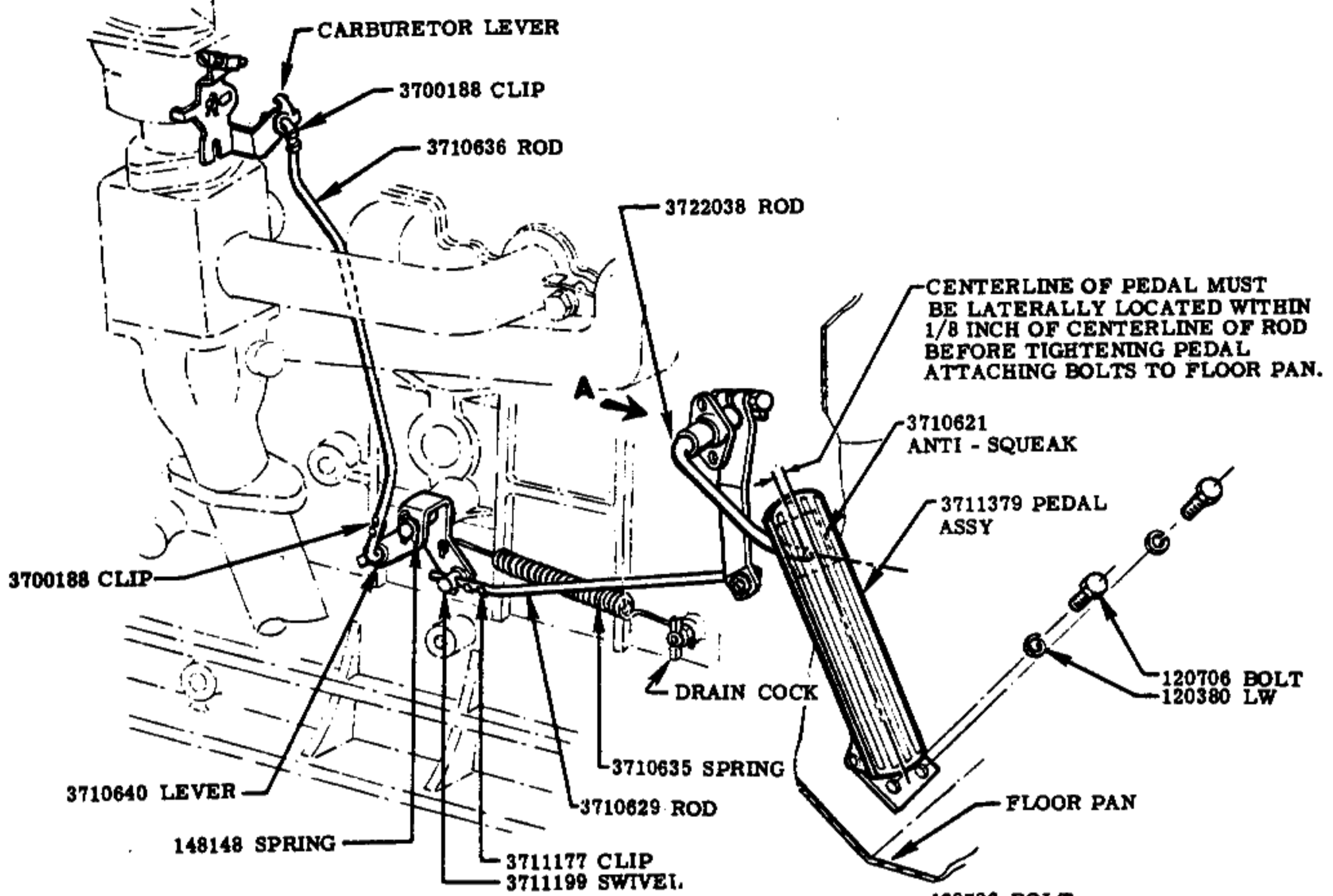
					NAME PASSENGER CAR INSTRUCTION MANUAL				
					REF.	DRAWN	CHECKED	SECT.	SHEET
9-28-55	1	WAS 7007181	3136	F	DATE	PART No.	6	4.00	
DATE	SYM.	REVISION RECORD	AUTH.	DR.	CK.	3726600			



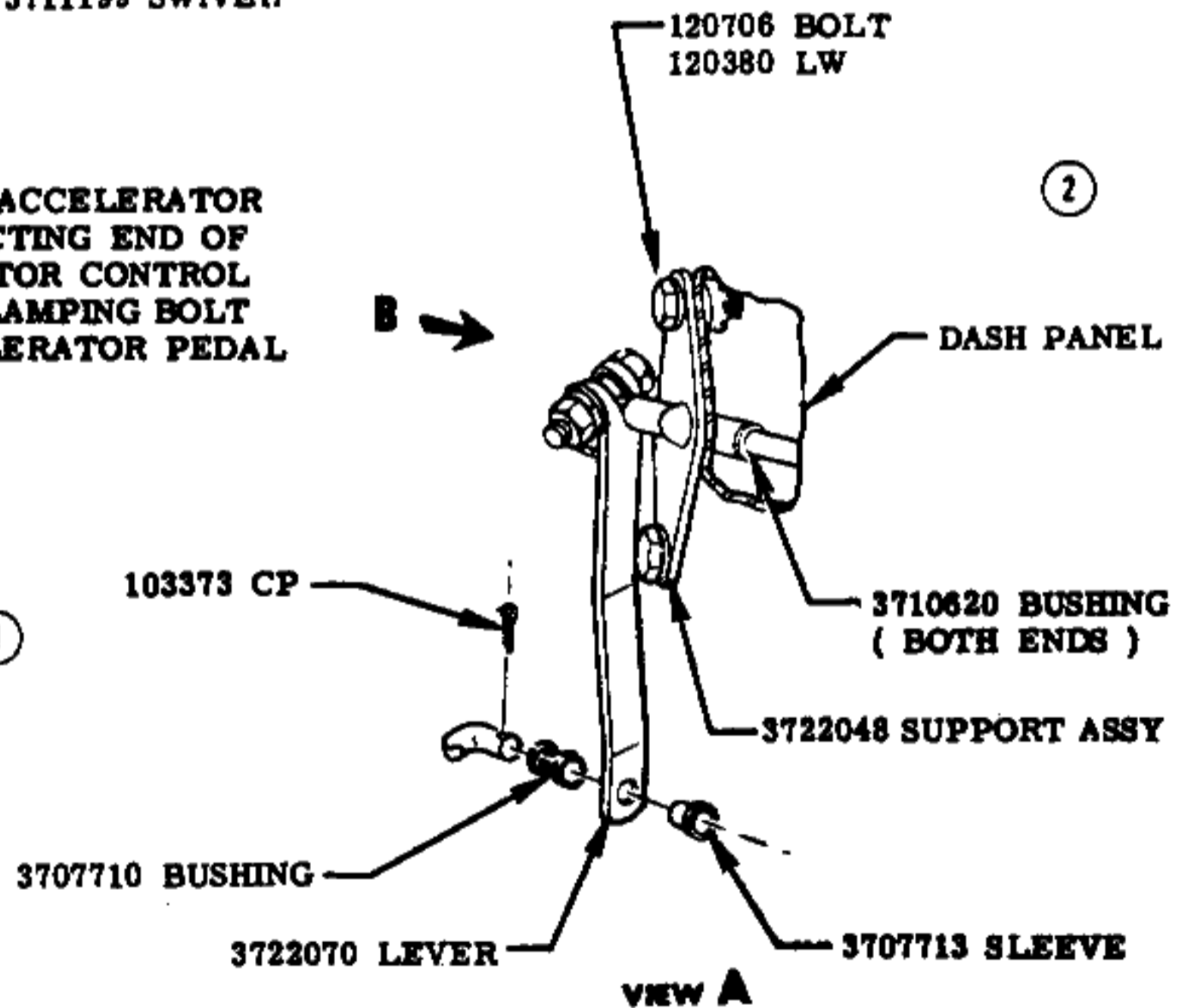
FUEL PUMP & CRANKCASE VENTILATOR INSTRUCTION

MODELS
ALL

REVISION RECORD						NAME	PASSENGER CAR INSTRUCTION MANUAL			
DATE	SYM.		AUTH.	DR.	CK.	REF.	DRAWN	CHECKED	SECT.	SHEET
								F		
						DATE	PART No.		6	6.00
						7-25-55	3726600			



VIEW B

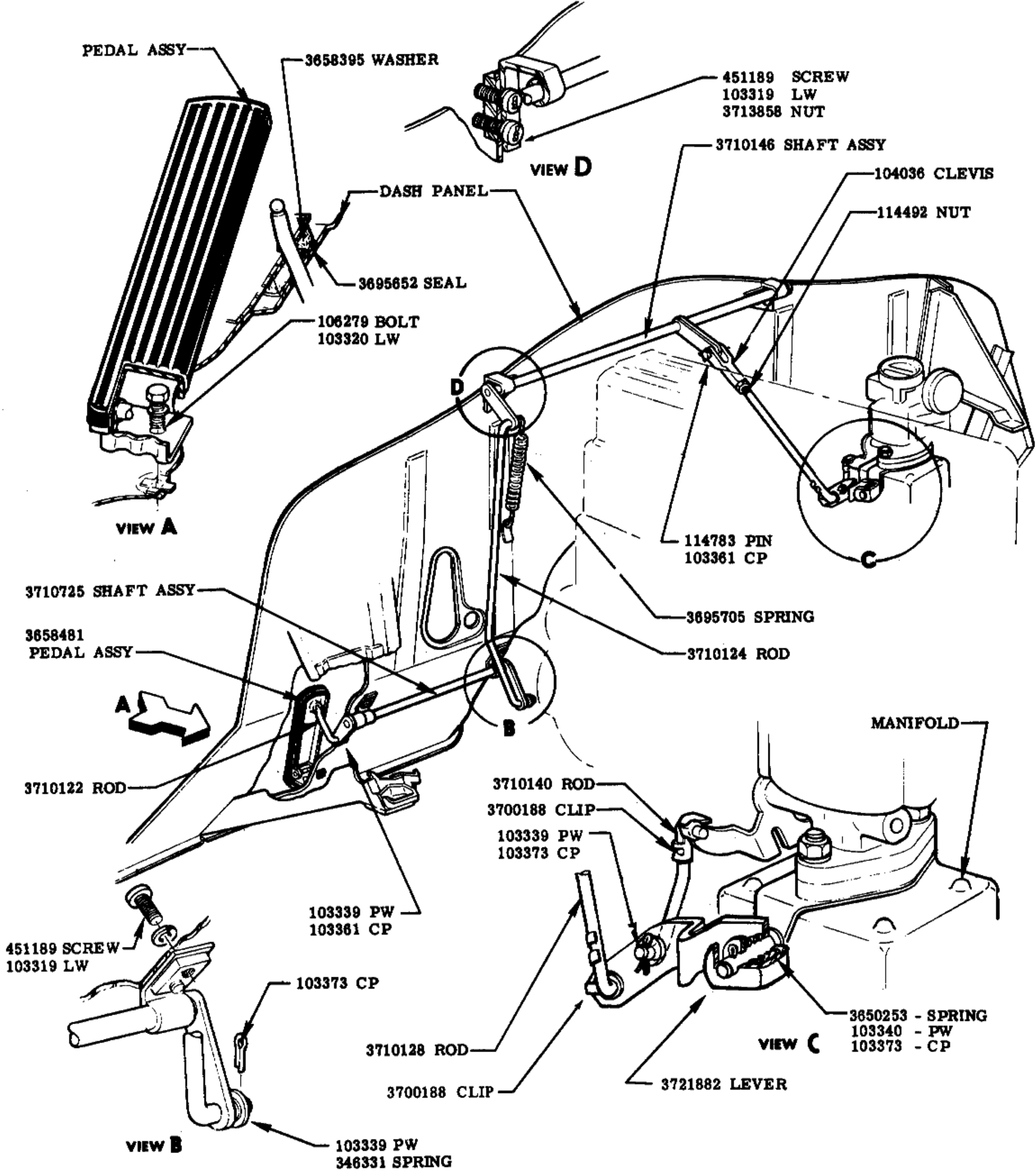


VIEW A

MODELS
ALL LD

ACCELERATOR CONTROL INSTRUCTION

					NAME PASSENGER CAR INSTRUCTION MANUAL				
					REF.	DRAWN	CHECKED	SECT.	SHEET
	2	NOTE REMOVED			F		F		
	1	WAS 121906 BOLT 120392 PW						6	7.00
12-5-55		120380 LW, 134551 NUT	5344		DATE	PART No.			
					7-25-55	3726600			
DATE	SYM.	REVISION RECORD	AUTH.	DR.	CK.				

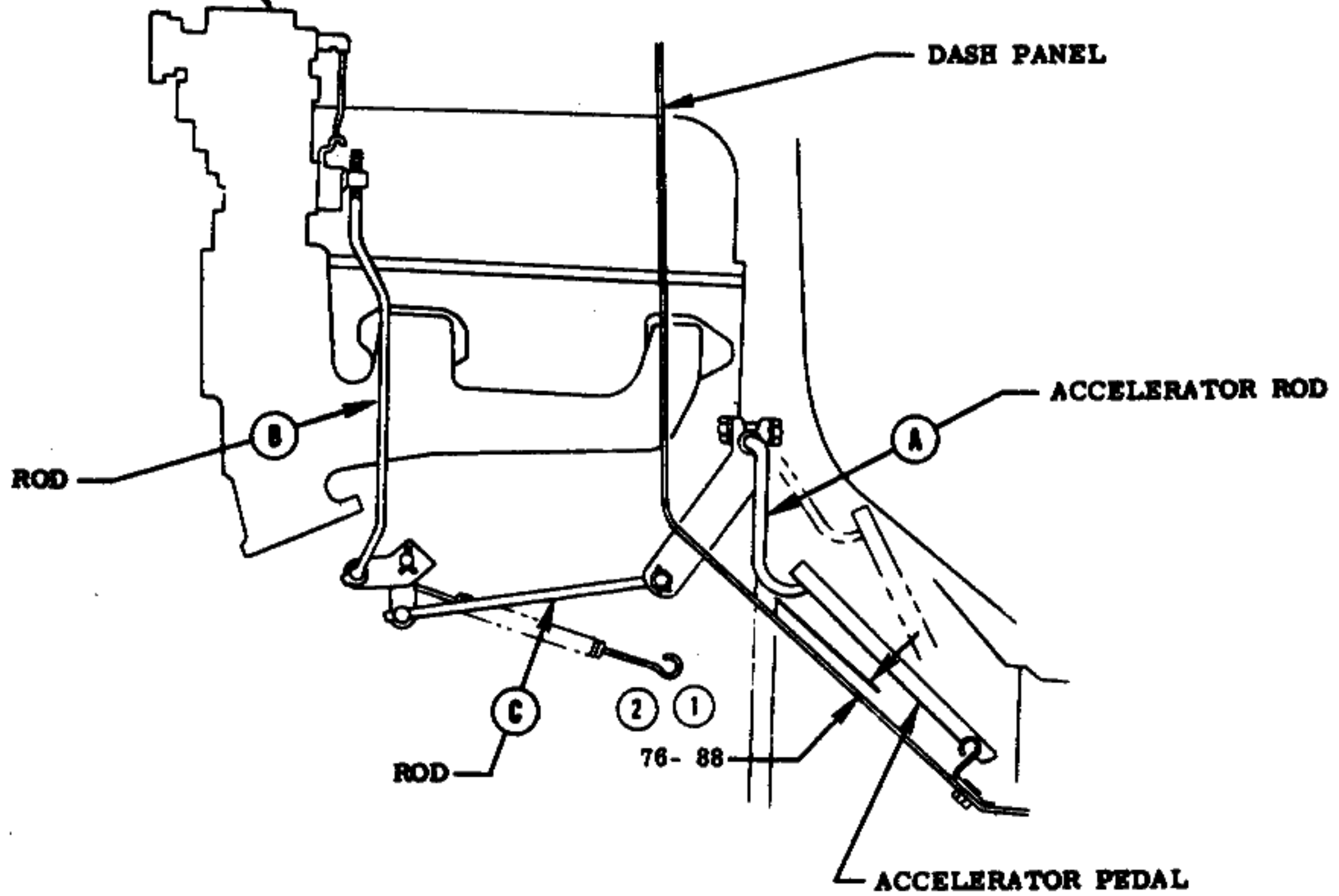


ACCELERATOR CONTROL INSTRUCTION

MODELS
ALL RD

					NAME PASSENGER CAR INSTRUCTION MANUAL				
					REF.	DRAWN F	CHECKED	SECT.	SHEET
					DATE 7-25-55	PART No. 3726600		6	8.00
DATE	SYM.	REVISION RECORD	AUTH.	DR.	CK.				

CARBURETOR

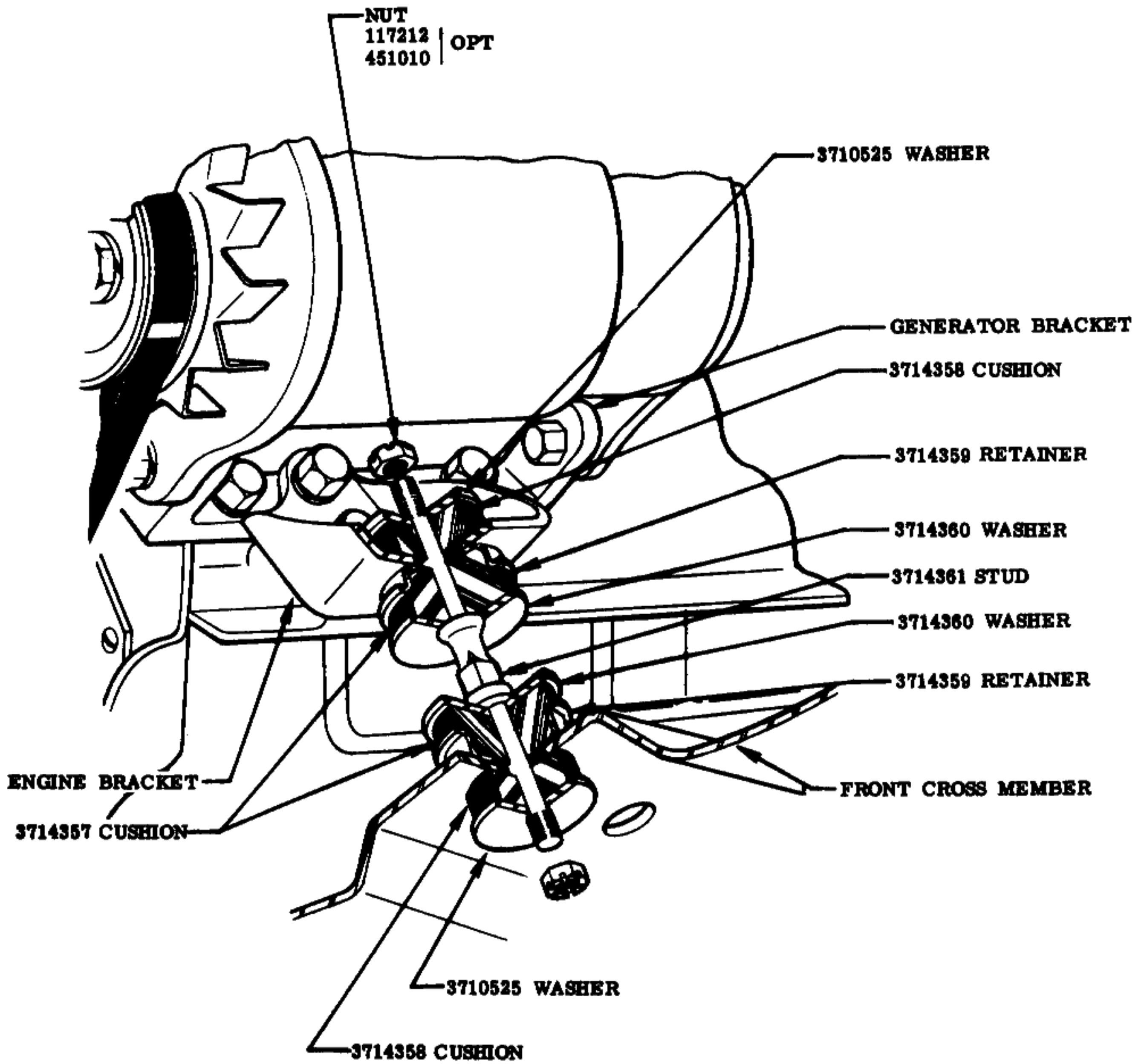


WITH ACCELERATOR ROD A
 POSITIONED AS SHOWN, AND
 ROD B IN WIDE OPEN THROTTLE
 POSITION, ADJUST ROD C TO
 SUIT

MODELS
 ALL LD

ACCELERATOR CONTROL INSTRUCTION

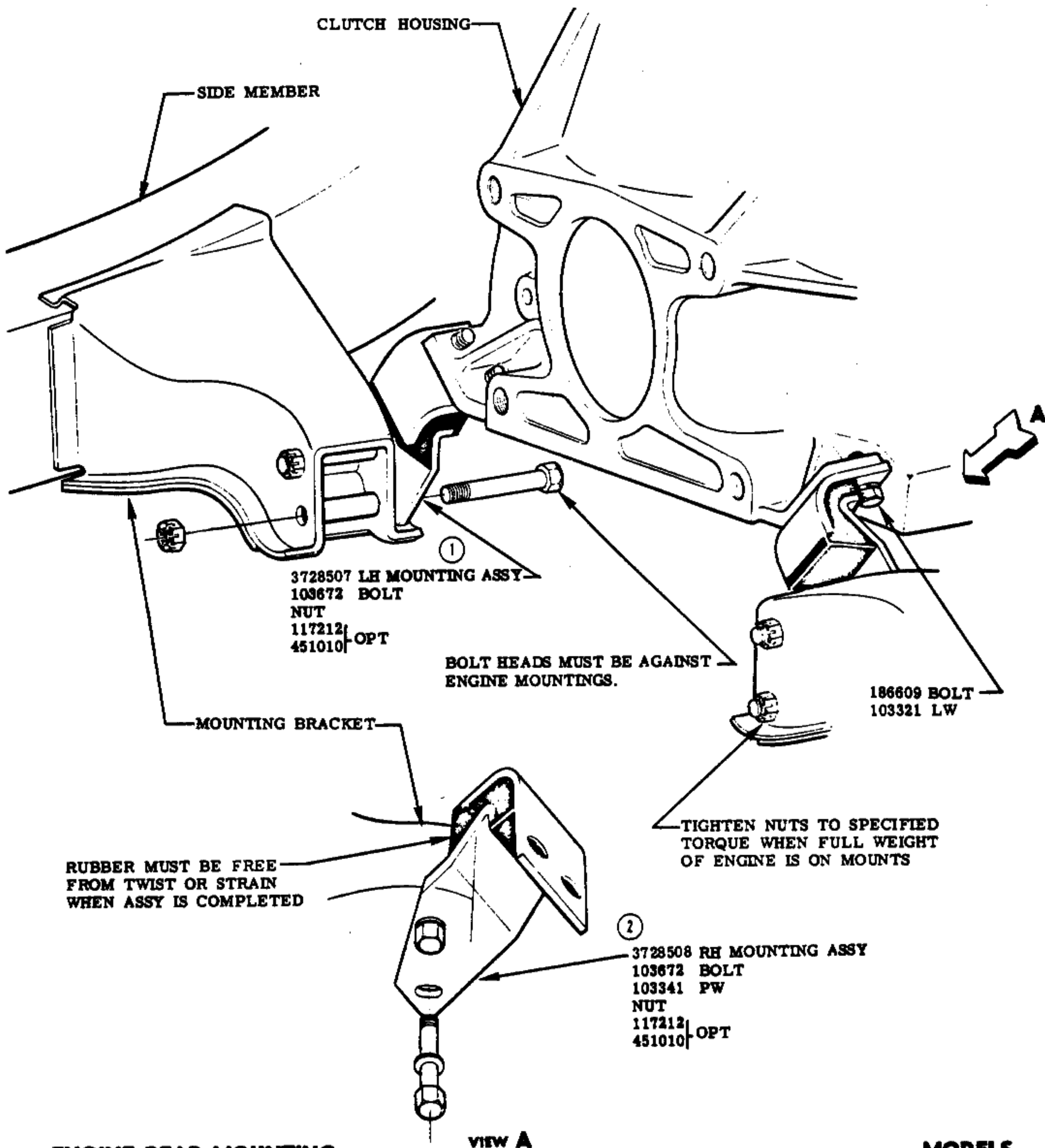
					NAME PASSENGER CAR INSTRUCTION MANUAL				
			REF.	DRAWN	CHECKED	SECT.	SHEET		
2-15-56	2	WAS 1.00	8028	F					
10-10-55	1	WAS .68/.76		F	DATE	PART No.	6	9.00	
DATE	SYM.	REVISION RECORD	AUTH.	DR.	CK.	7-25-55			3726600



ENGINE FRONT MOUNTING INSTRUCTION

MODELS
ALL

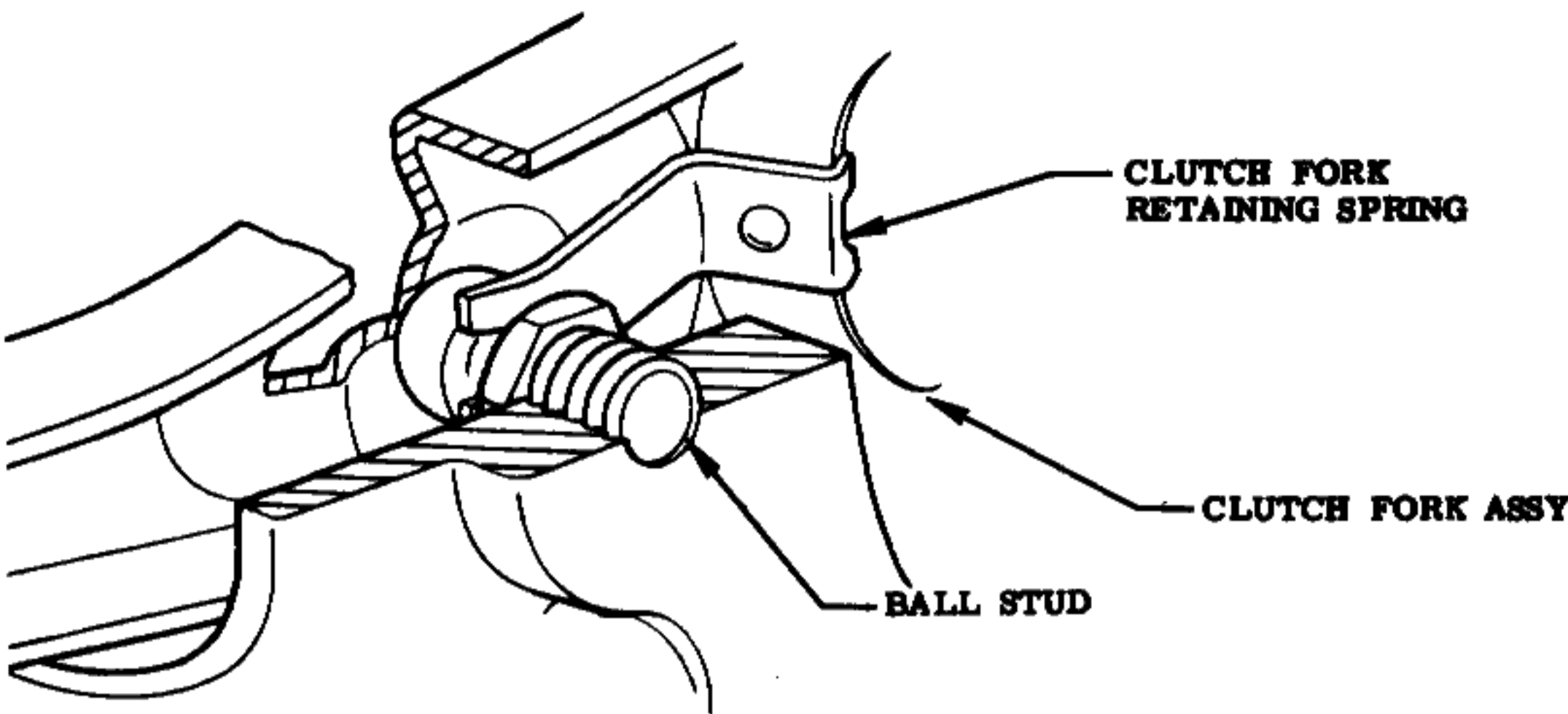
						NAME PASSENGER CAR INSTRUCTION MANUAL				
						REF.	DRAWN	CHECKED F	SECT.	SHEET
						DATE 7-25-55	PART No. 3726600		6	10.00
DATE	SYM.	REVISION RECORD	AUTH.	DR.	CK.					



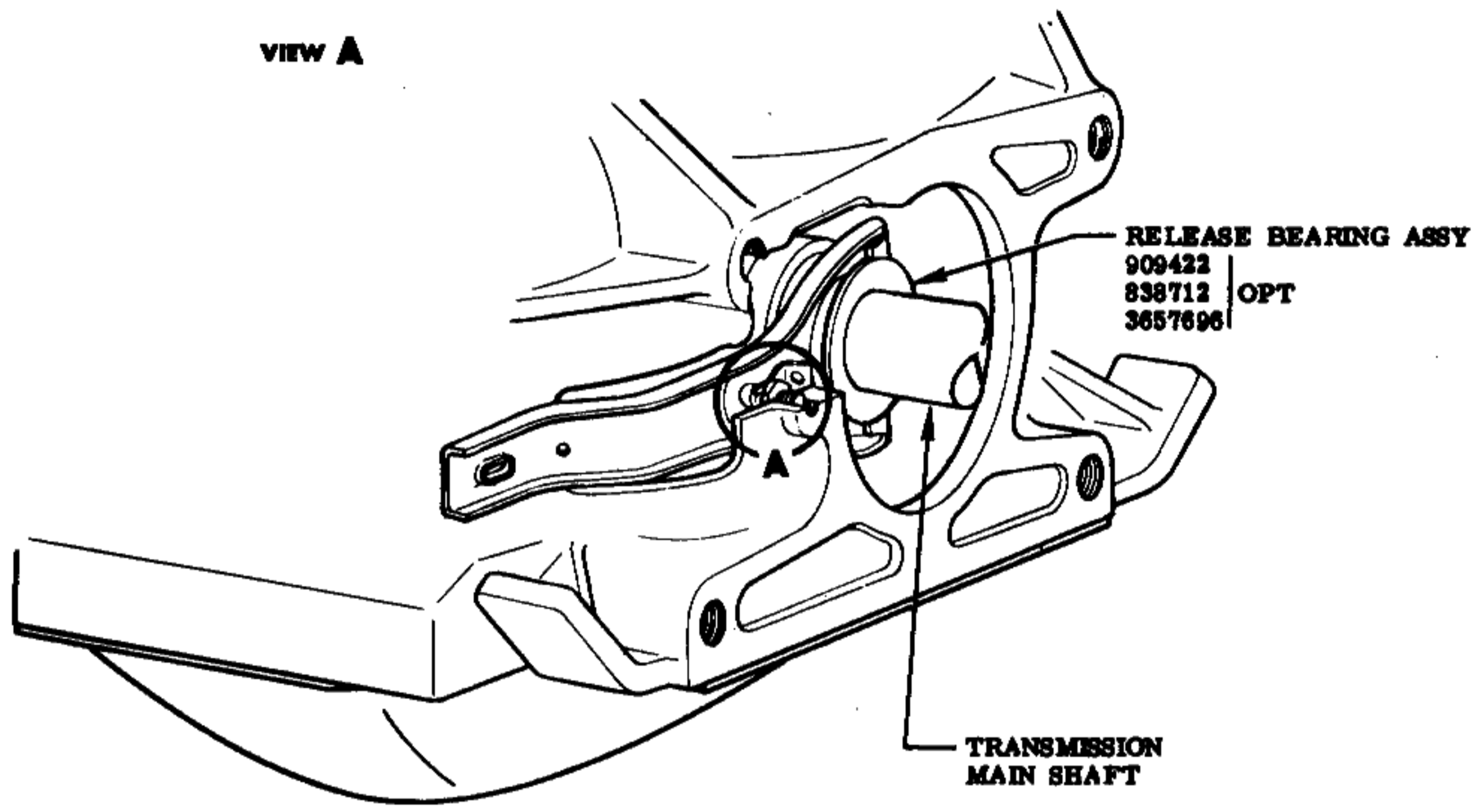
ENGINE REAR MOUNTING INSTRUCTION

MODELS ALL

					NAME PASSENGER CAR INSTRUCTION MANUAL				
					REF.	DRAWN	CHECKED F	SECT.	SHEET
10-10-55	2	WAS 3713428		F	DATE	PART No.		6	11.00
	1	WAS 3713427	2709		7-25-55	3726600			
DATE	SYM.	REVISION RECORD	AUTH.	DR.	CK.				



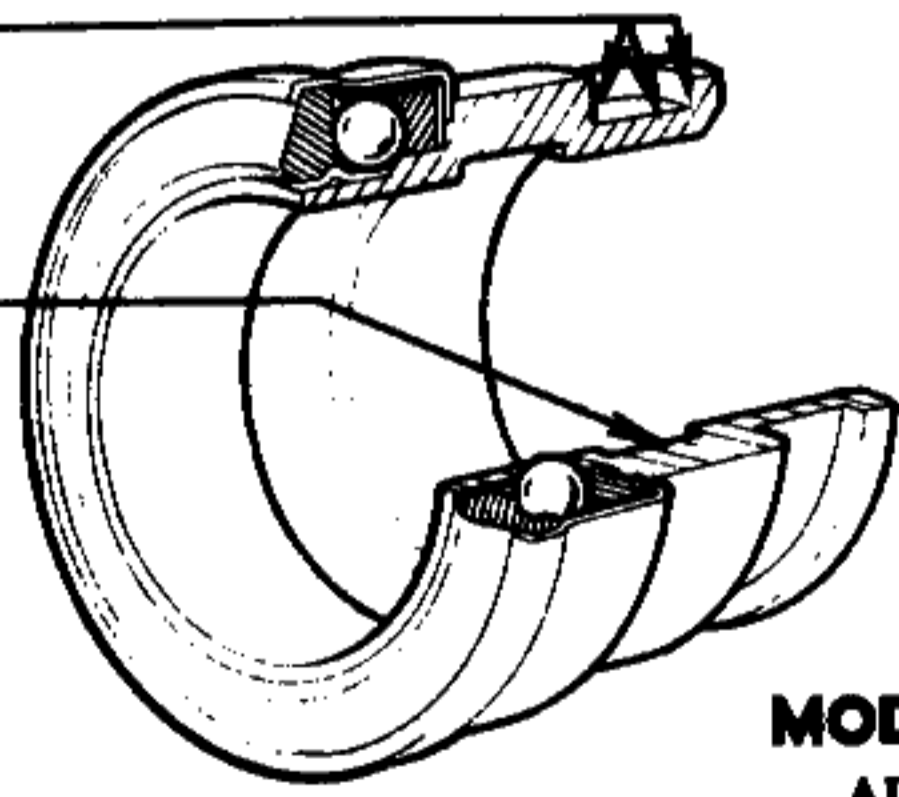
VIEW A



SEE LUBRICATION INSTRUCTION

BRUSH A UNIFORM LAYER OF LUBRICANT TO THESE SURFACES FOR FULL CIRCUMFERENCE

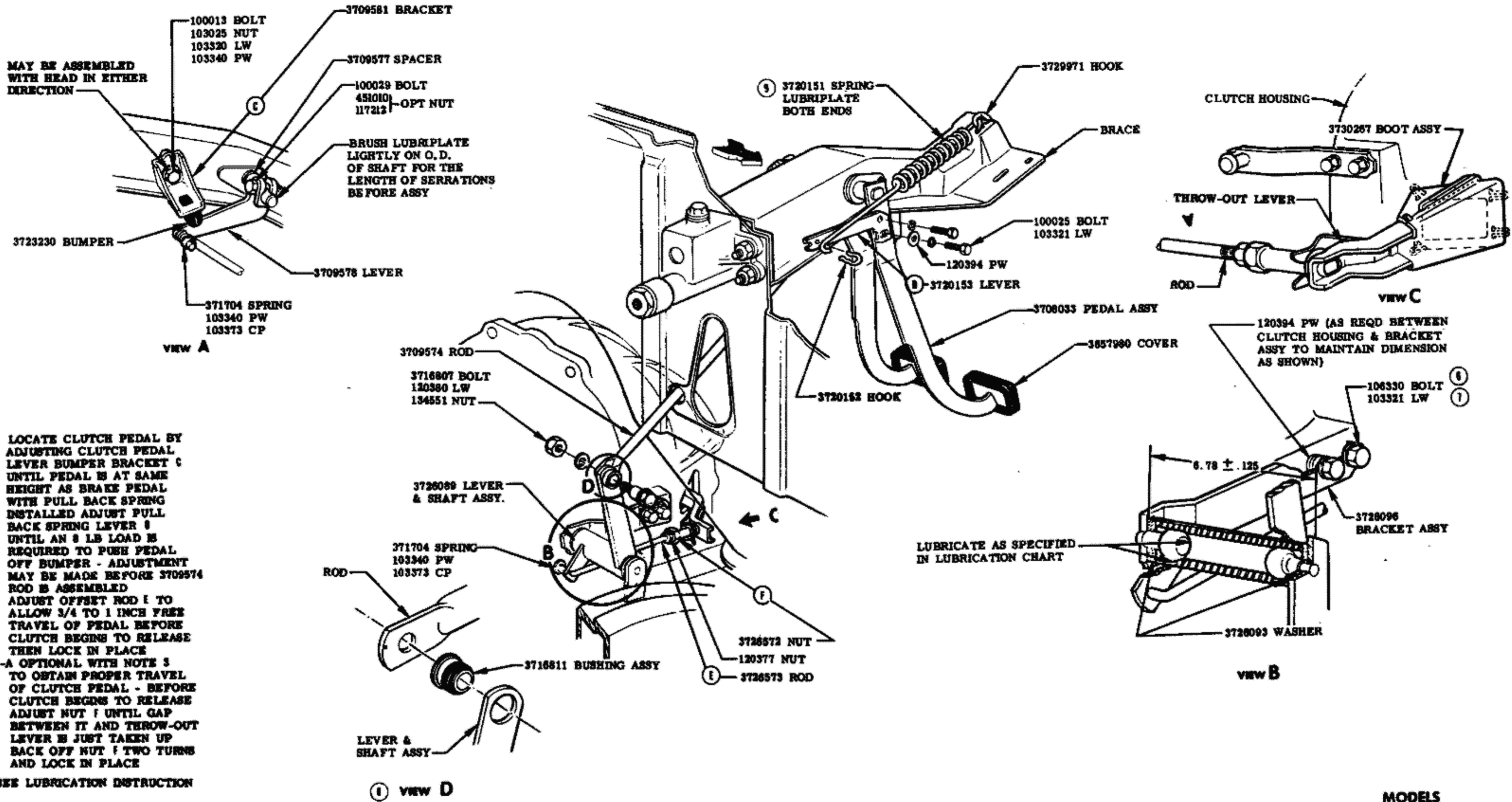
FILL THIS GROOVE WITH LUBRICANT FOR FULL CIRCUMFERENCE. APPLY WITH SPECIAL GUN



CLUTCH RELEASE BEARING & FLYWHEEL UNDER PAN INSTRUCTION

MODELS ALL

						NAME PASSENGER CAR INSTRUCTION MANUAL				
						REF.	DRAWN	CHECKED F	SECT.	SHEET
						DATE 7-25-55	PART No. 3726600		6	12.00
DATE	SYM.	REVISION RECORD	AUTH.	DR.	CK.					

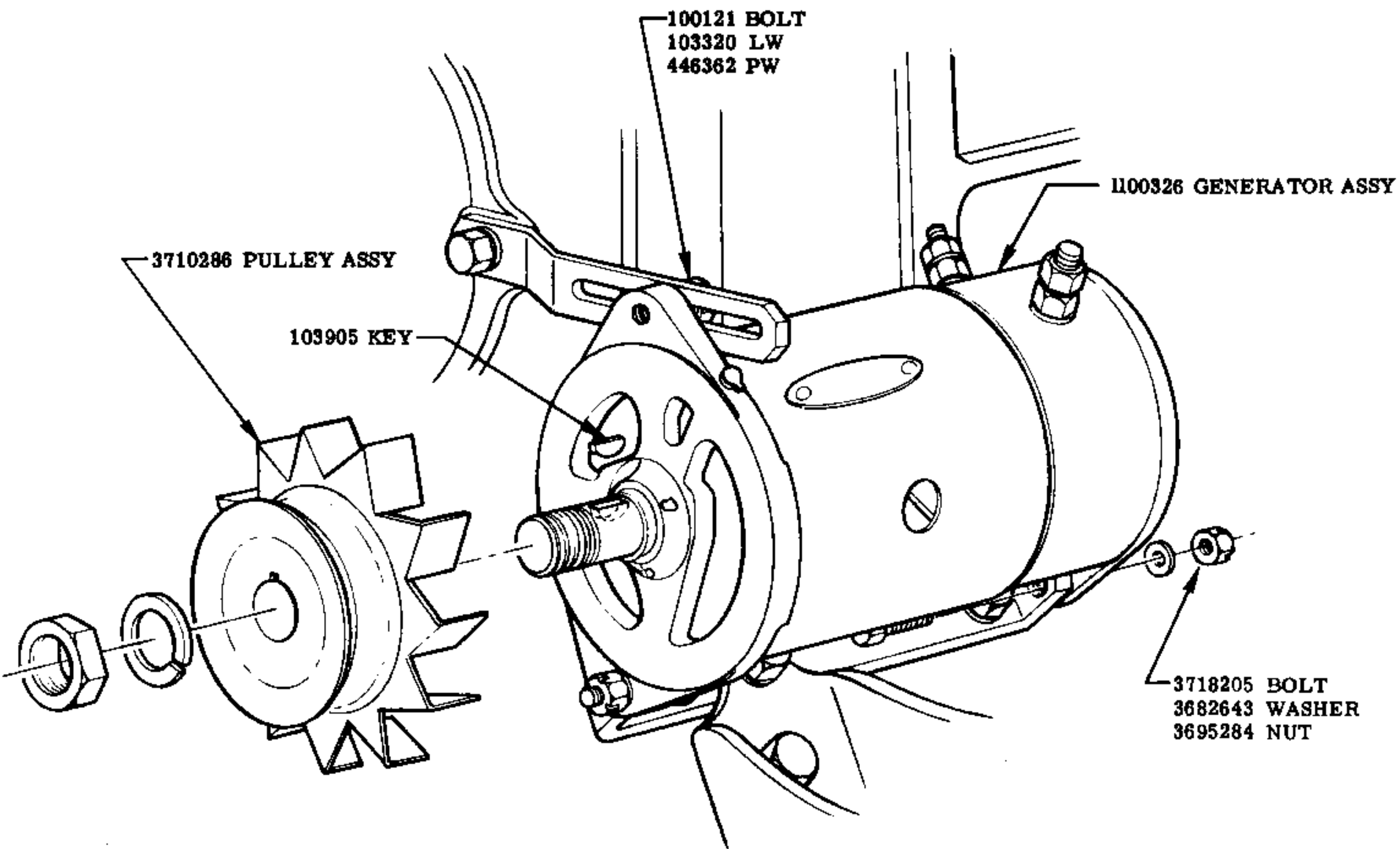


- 1 LOCATE CLUTCH PEDAL BY ADJUSTING CLUTCH PEDAL LEVER BUMPER BRACKET C UNTIL PEDAL IS AT SAME HEIGHT AS BRAKE PEDAL
 - 2 WITH PULL BACK SPRING INSTALLED ADJUST PULL BACK SPRING LEVER 9 UNTIL AN 8 LB LOAD IS REQUIRED TO PUSH PEDAL OFF BUMPER - ADJUSTMENT MAY BE MADE BEFORE 3709574 ROD IS ASSEMBLED
 - 3 ADJUST OFFSET ROD I TO ALLOW 3/4 TO 1 INCH FREE TRAVEL OF PEDAL BEFORE CLUTCH BEGINS TO RELEASE THEN LOCK IN PLACE
 - 3-A OPTIONAL WITH NOTE 3 TO OBTAIN PROPER TRAVEL OF CLUTCH PEDAL - BEFORE CLUTCH BEGINS TO RELEASE ADJUST NUT I UNTIL GAP BETWEEN IT AND THROW-OUT LEVER IS JUST TAKEN UP BACK OFF NUT I TWO TURNS AND LOCK IN PLACE
- SEE LUBRICATION INSTRUCTION

CLUTCH LINKAGE INSTRUCTION

**MODELS
ALL LD**

2-16-56	9	WAS 3729970	7732	F	NAME	PASSENGER CAR INSTRUCTION MANUAL			
	8	VIEW ADDED	5939	F	REF.	DRAWN	CHECKED	SECT.	SHEET
	7	WAS 120382					F	6	13.00
	6	WAS 122198	5344		DATE	PART No.			
1-9-65	5	REDRAWN			7-25-55	3726600			
DATE	SYML	REVISION RECORD	AUTH.	DR.	CK.				

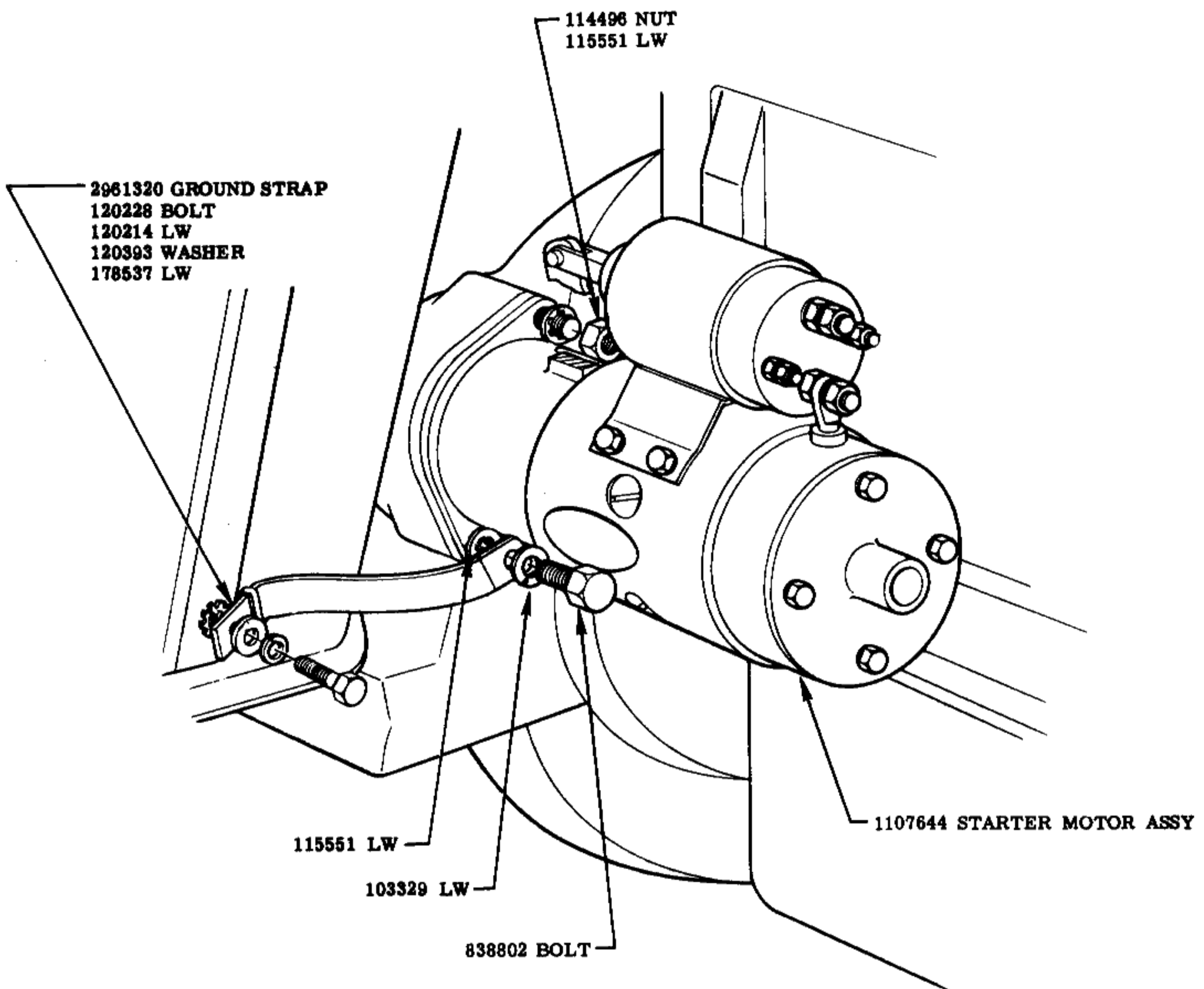


SEE LUBRICATION INSTRUCTION

MODELS
ALL

GENERATOR INSTRUCTION

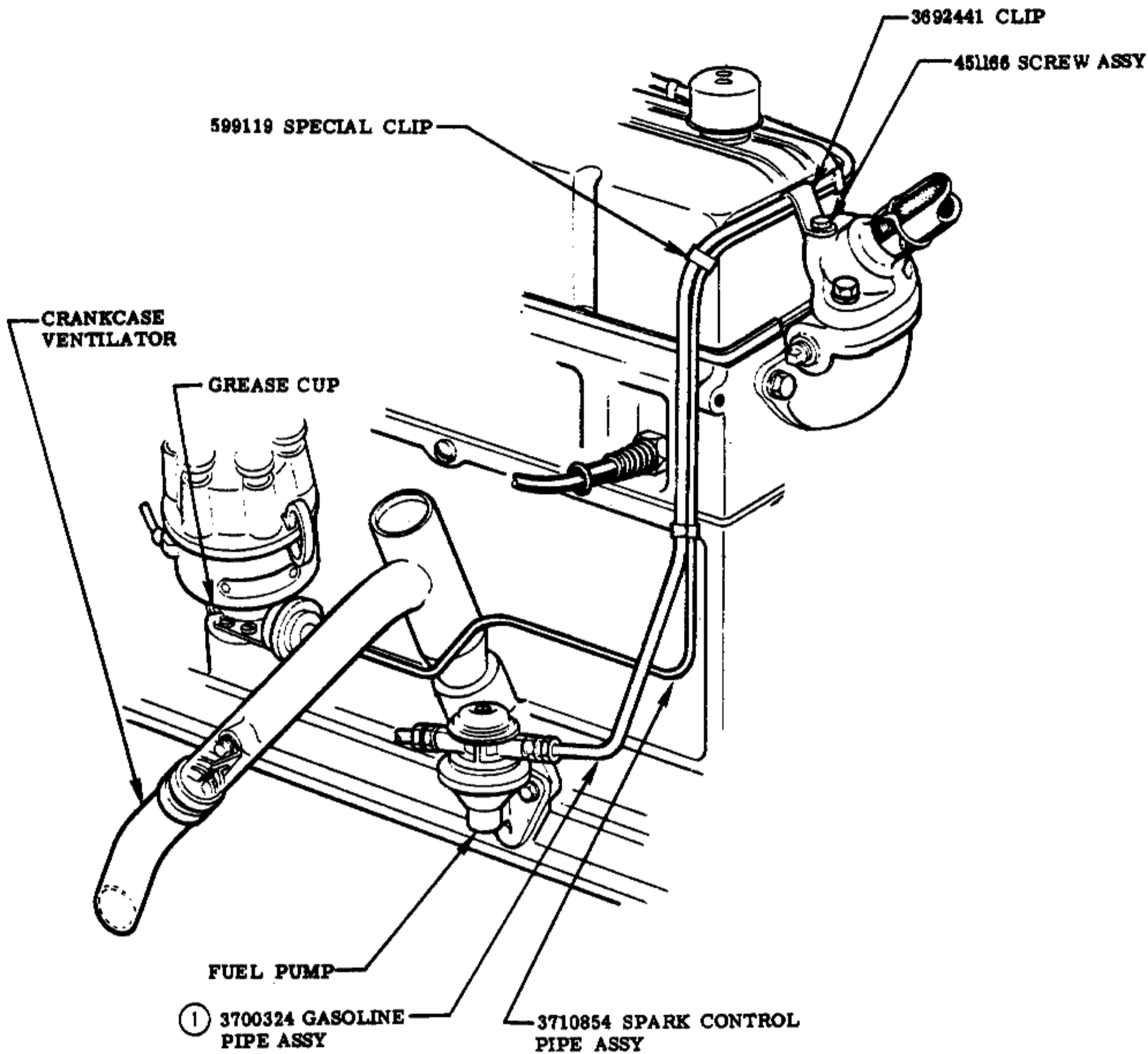
						NAME	PASSENGER CAR INSTRUCTION MANUAL				
						REF.	DRAWN	CHECKED	F	SECT.	SHEET
						DATE	PART No.			6	15.00
DATE	SYM.	REVISION RECORD	AUTH.	DR.	CK.	7-25-55	3726600				



MODELS
ALL

STARTER MOTOR INSTRUCTION

						NAME	PASSENGER CAR INSTRUCTION MANUAL			
						REF.	DRAWN	CHECKED	SECT.	SHEET
						DATE	PART No.	F	6	16.00
DATE	SYM.	REVISION RECORD	AUTH.	DR.	CK.	7-25-55	3726600			

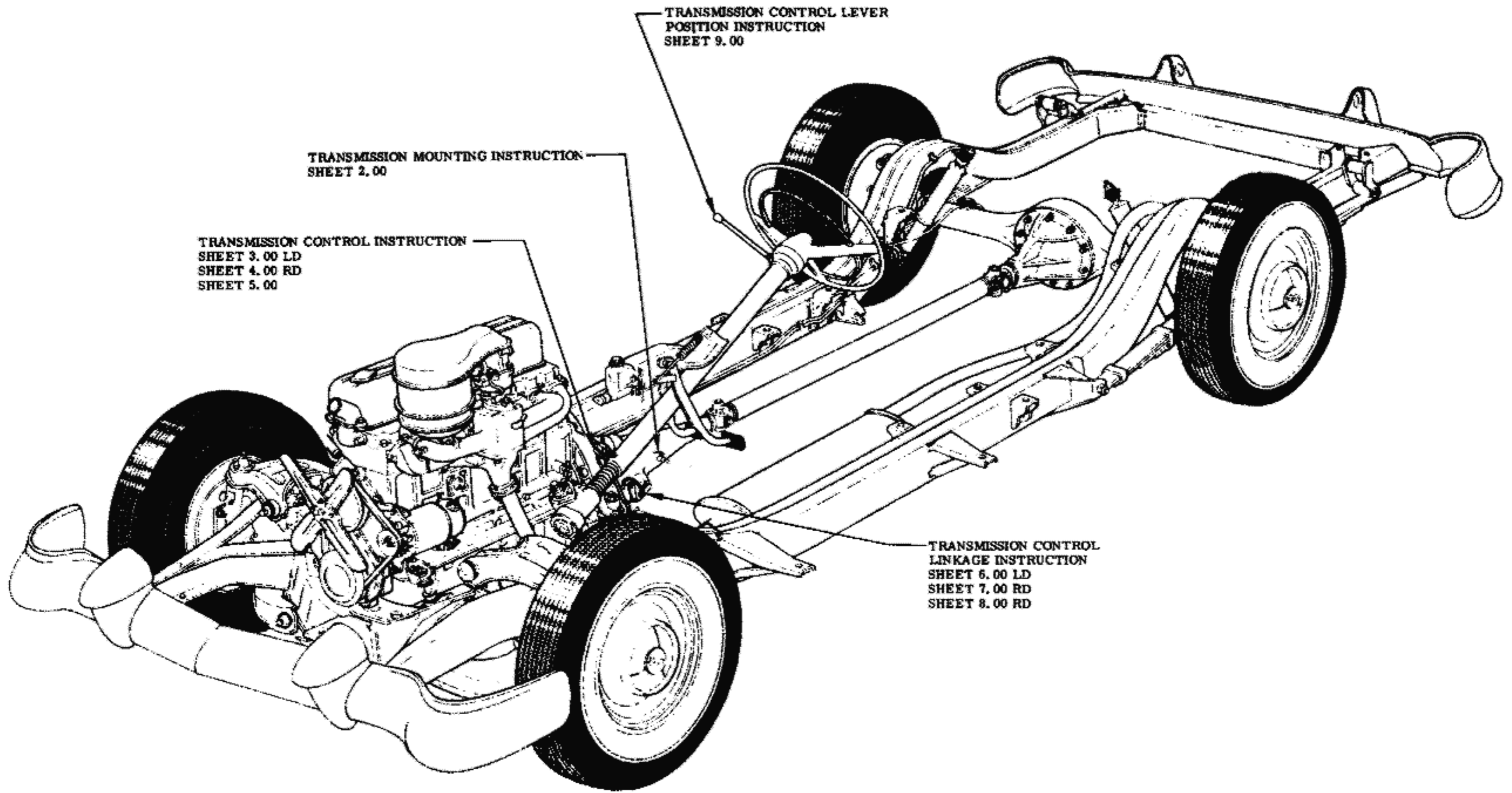


SEE LUBRICATION INSTRUCTION

GASOLINE & SPARK CONTROL PIPES INSTRUCTION

MODELS
ALL

						NAME PASSENGER CAR INSTRUCTION MANUAL				
						REF.	DRAWN	CHECKED F	SECT.	SHEET
5-1-56	1	WAS 3710853	9320	V	F	DATE	PART No.		6	17.00
DATE	SYM.	REVISION RECORD	AUTH.	DR.	CK.	7-25-55	3726600			



TRANSMISSION CONTROL INSTRUCTION
 SHEET 3.00 LD
 SHEET 4.00 RD
 SHEET 5.00

TRANSMISSION MOUNTING INSTRUCTION
 SHEET 2.00

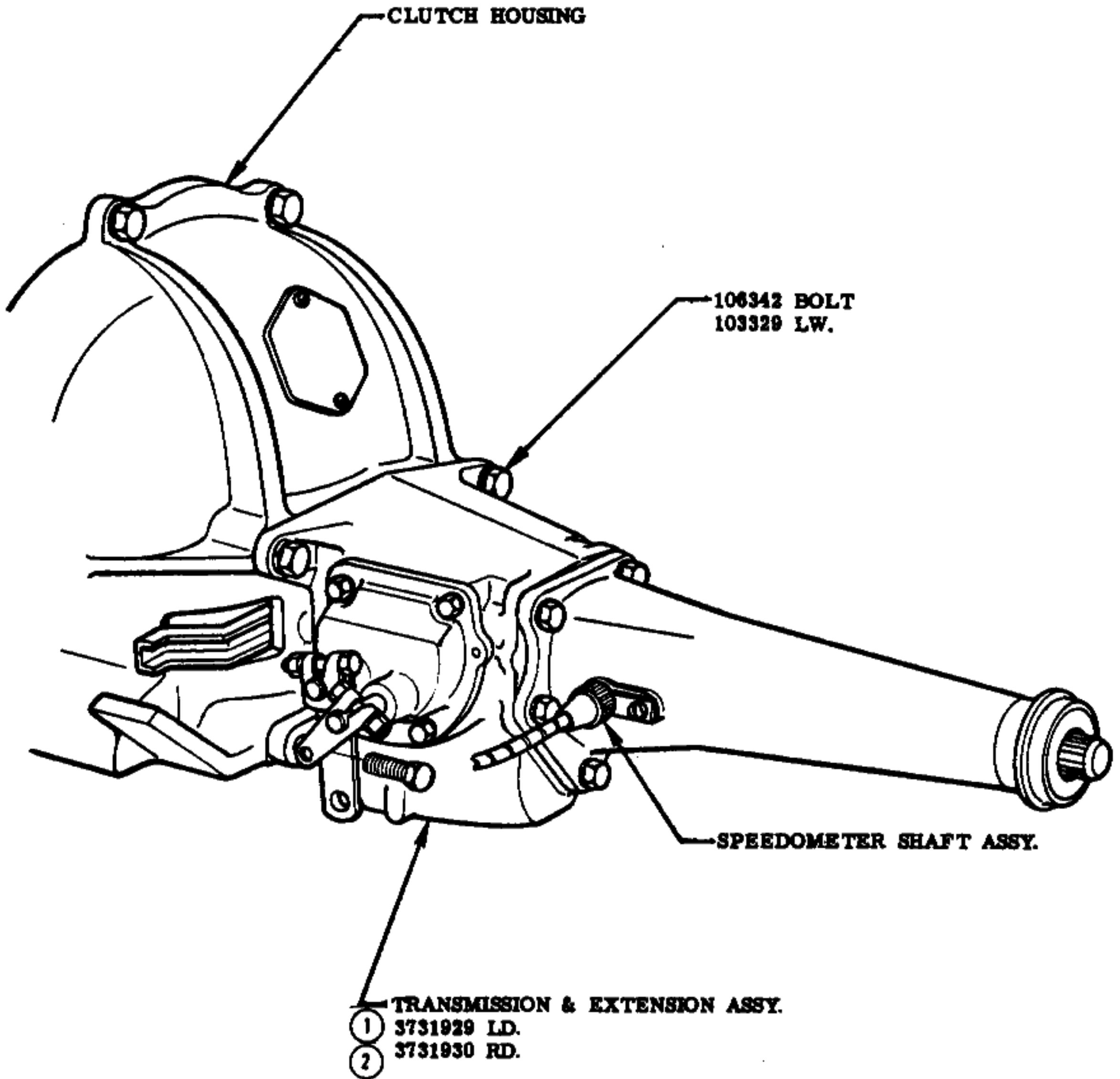
TRANSMISSION CONTROL LEVER
 POSITION INSTRUCTION
 SHEET 9.00

TRANSMISSION CONTROL
 LINKAGE INSTRUCTION
 SHEET 6.00 LD
 SHEET 7.00 RD
 SHEET 8.00 RD

MODELS
 ALL

TRANSMISSION & CONTROLS INSTRUCTION

						NAME	PASSENGER CAR INSTRUCTION MANUAL				
						REF.	DRAWN	CHECKED	F	SECT.	SHEET
						DATE	PART No.			7	1.00
						7-25-55	3726600				
DATE	SYM.	REVISION RECORD	AUTH.	DR.	CK.						

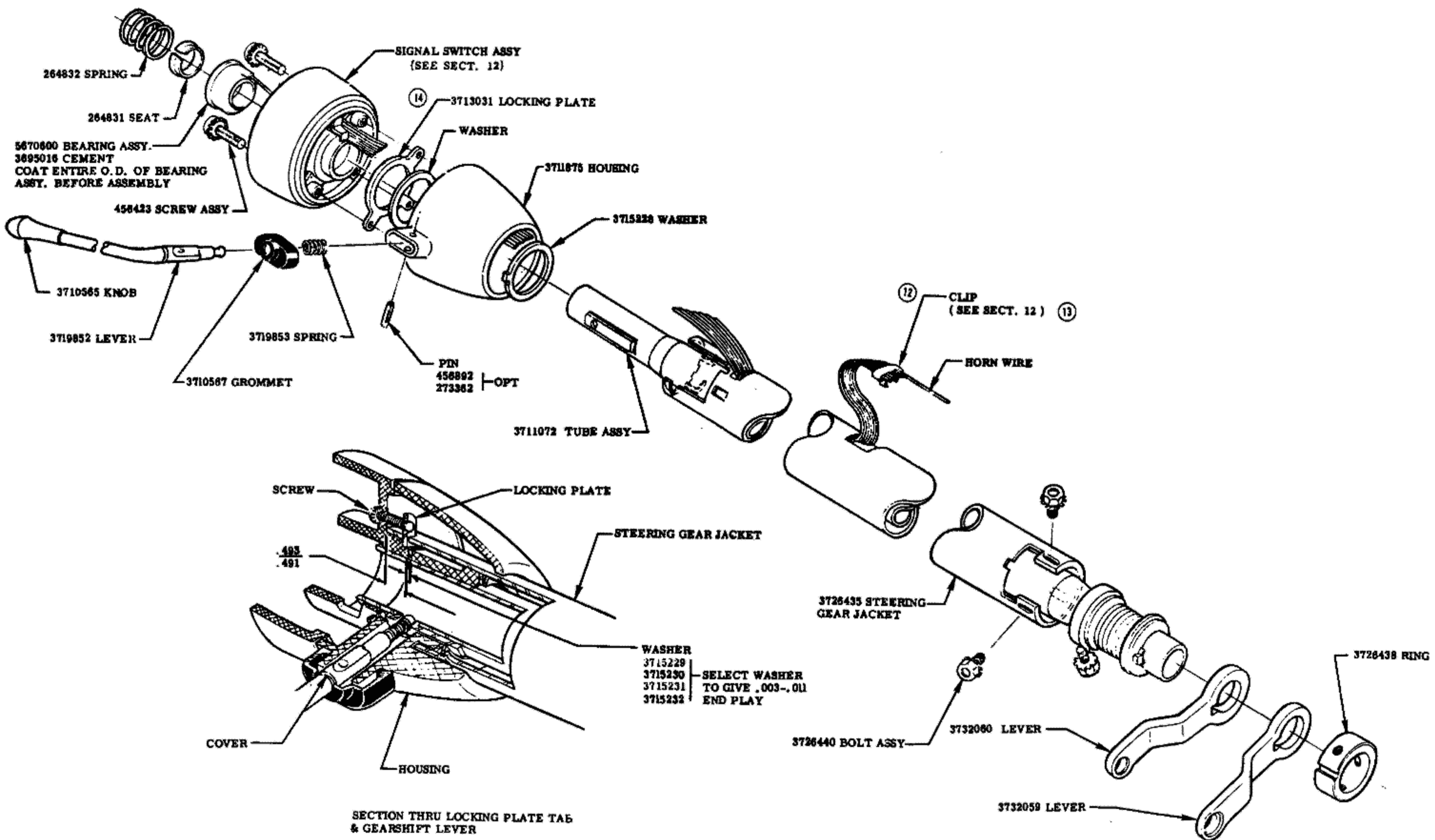


SEE LUBRICATION INSTRUCTION

TRANSMISSION MOUNTING INSTRUCTION

**MODELS
ALL**

					NAME PASSENGER CAR INSTRUCTION MANUAL				
					REF.	DRAWN	CHECKED	SECT.	SHEET
							F	7	2.00
12-5-55	1	WAS 3845159 R. D.	4850		DATE	PART No.			
DATE	SYM.	REVISION RECORD	AUTH.	DR.	CK.	7-25-55	3726600		

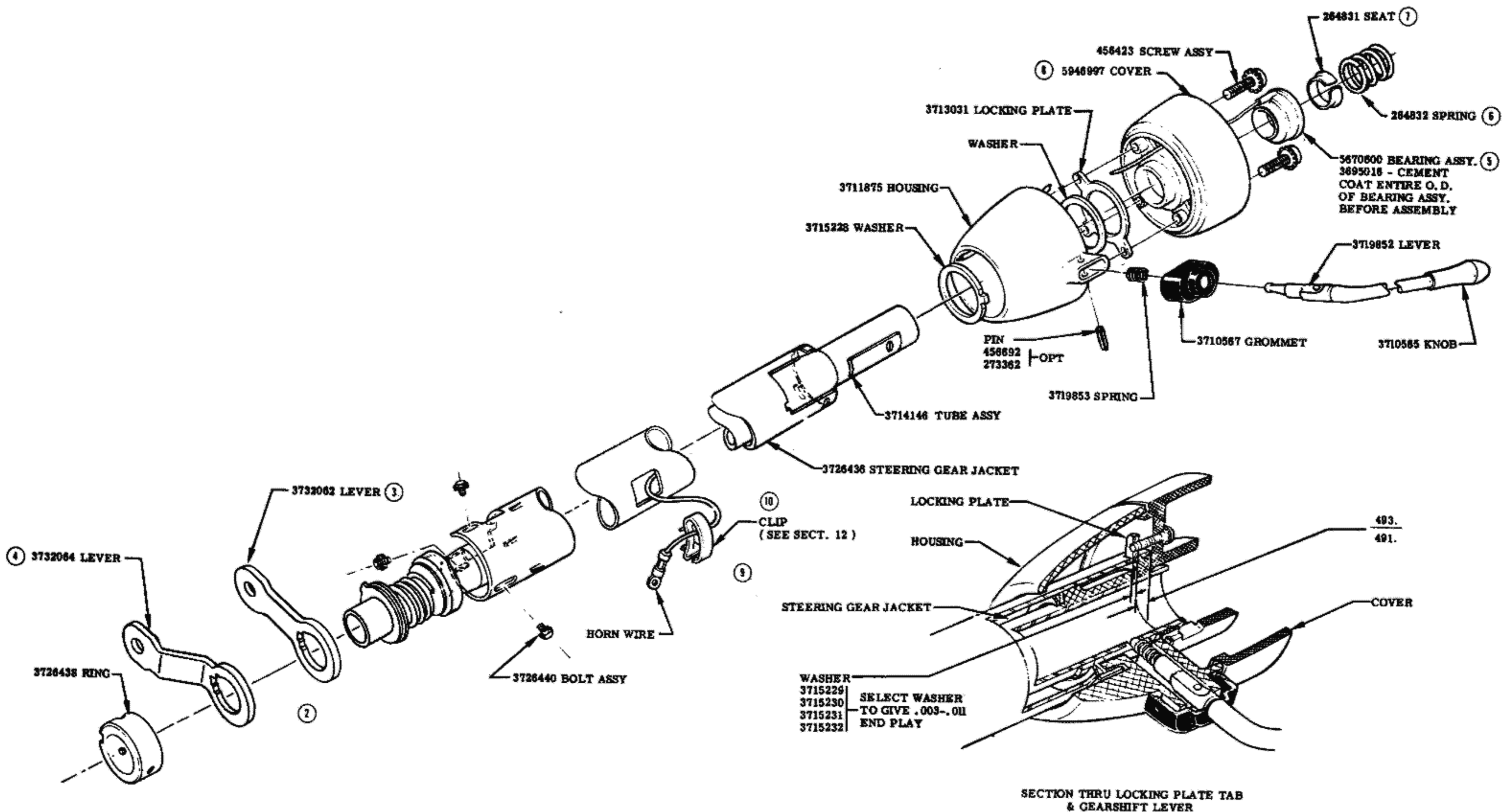


SEE LUBRICATION INSTRUCTION

MODELS
ALL LD

GEARSHIFT CONTROL INSTRUCTION

	14	WAS 3703031		V	F	NAME PASSENGER CAR INSTRUCTION MANUAL				
	13	NOTE ADDED				REF.	DRAWN	CHECKED	SECT.	SHEET
	12	WAS 188441 SCREW & 3711106						F	7	3.00
		CLAMP				DATE	PART No.			
2-2-56	11	REDRAWN	5842			7-25-55	3726600			
DATE	SYM.	REVISION RECORD	AUTH.	DR.	CK.					

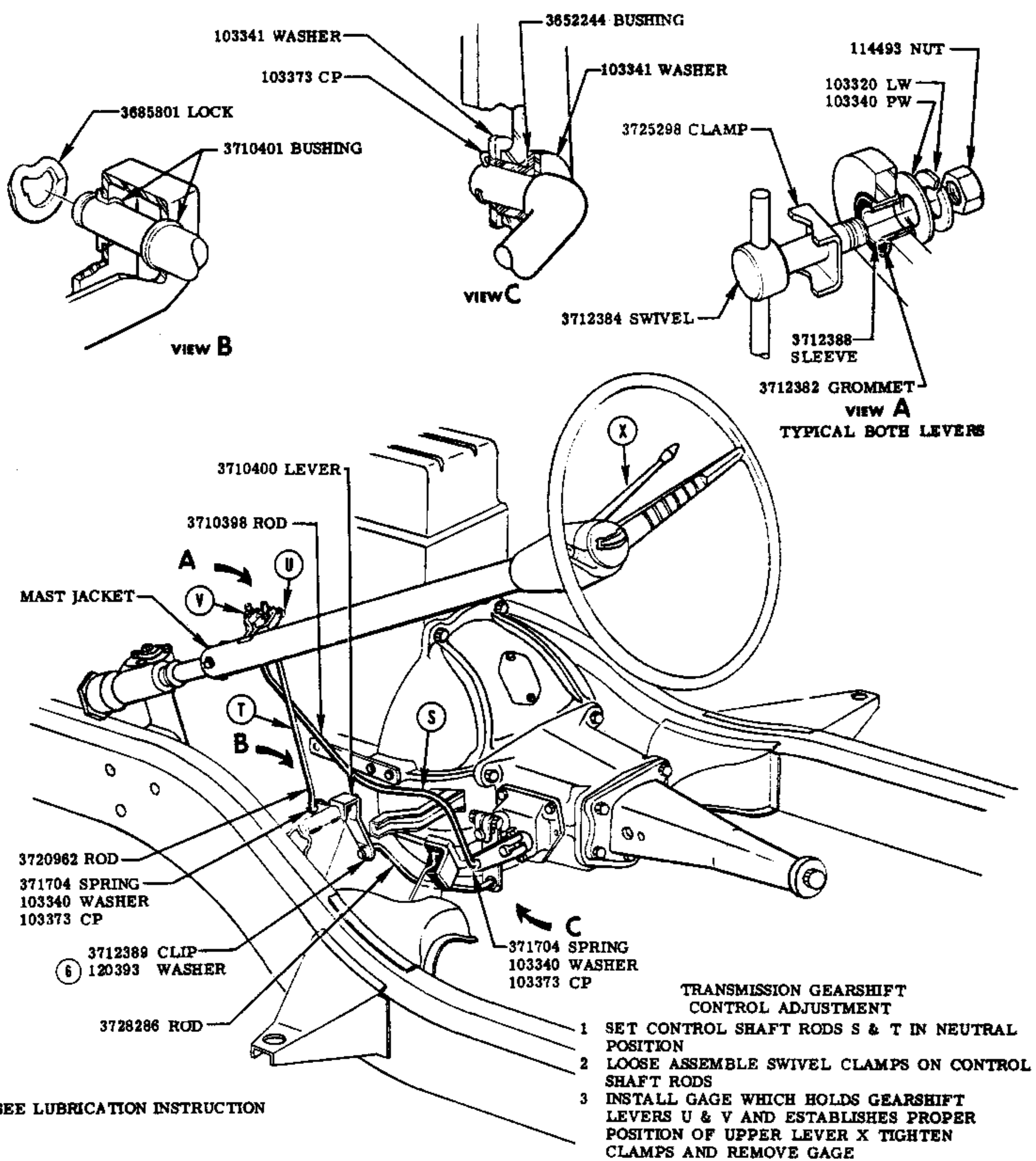


SEE LUBRICATION INSTRUCTION

GEARSHIFT CONTROL INSTRUCTION

MODELS ALL RD

DATE	SYM.	REVISION RECORD	AUTH.	DR.	CK.	DATE	SYM.	REVISION RECORD	AUTH.	DR.	CK.	NAME	PASSENGER CAR INSTRUCTION MANUAL	REF.	DRAWN	CHECKED	SECT.	SHEET	
	10	CLIP ADDED					5	WAS 3724920											
	9	186441 SCREW REMOVED	5642				4	WAS 3713700											
2-15-56	8	WAS 5947026	5784				3	WAS 3712482											
	7	PART ADDED			F	12-5-55	2	3728056- SPACER REMOVED			5024								
	6	PART ADDED				10-10-55	1	WAS 3726439			2682	F							
												DATE	7-25-55	PART No.	3726600			7	4.00

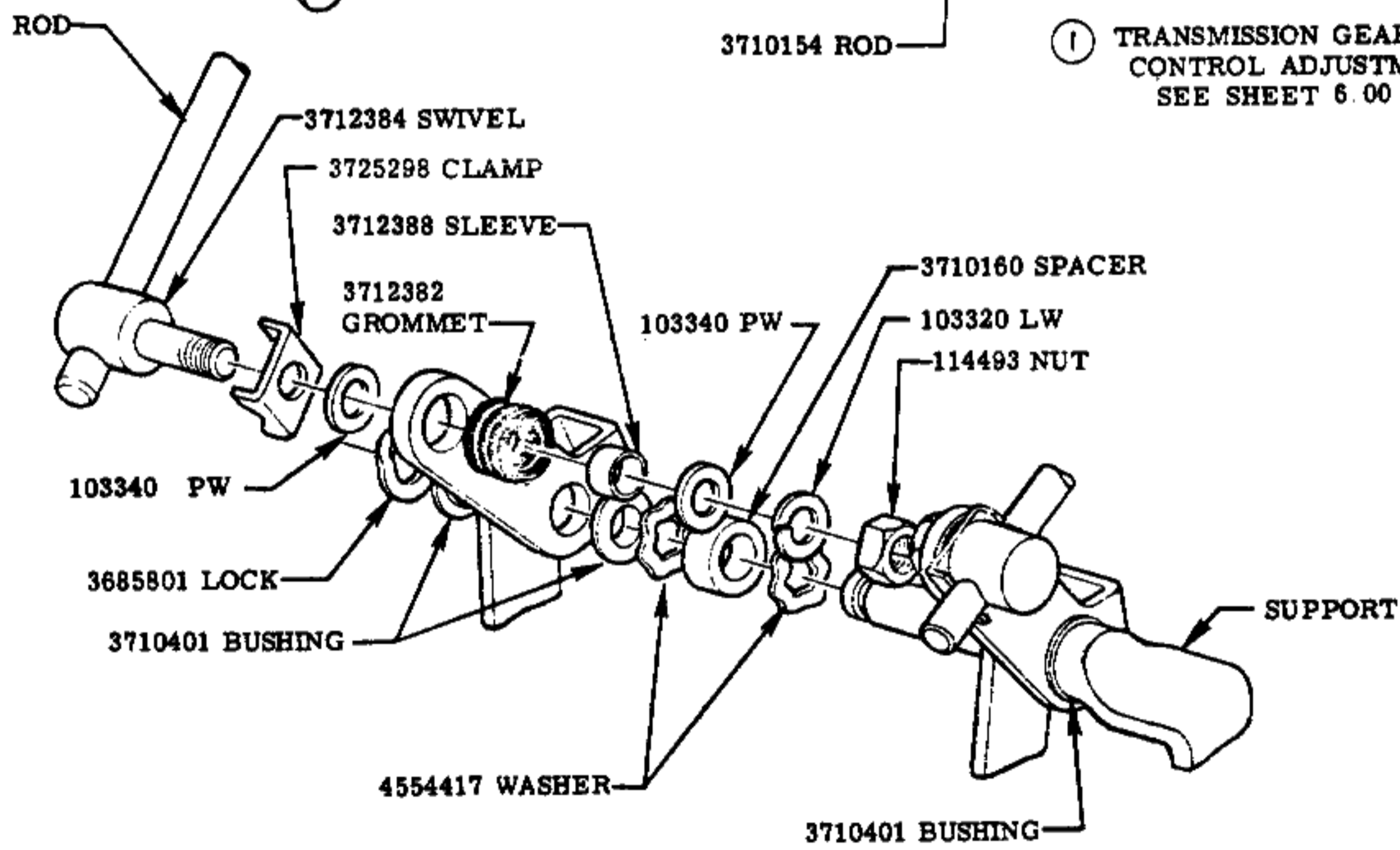
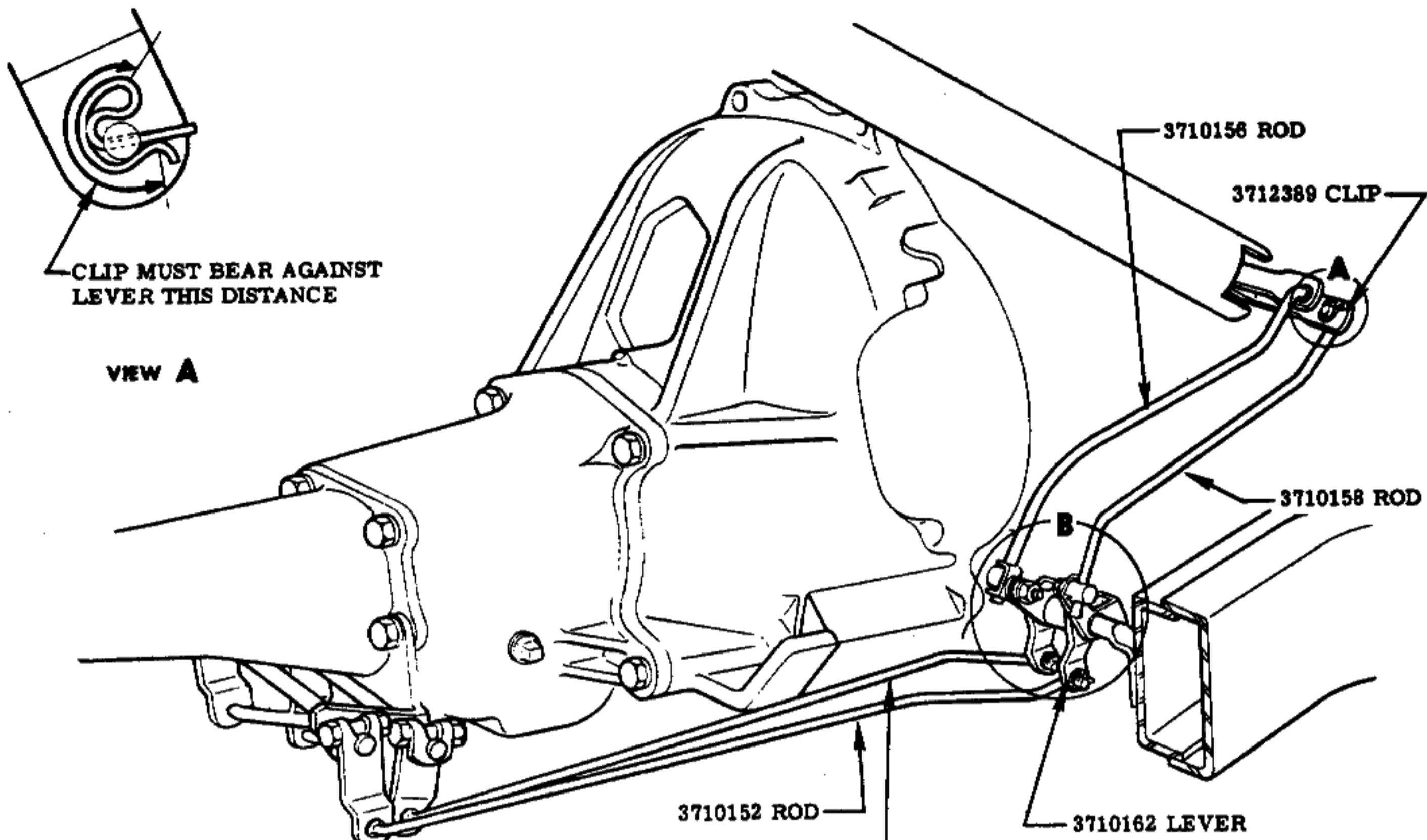


SEE LUBRICATION INSTRUCTION

TRANSMISSION CONTROL LINKAGE INSTRUCTION

MODELS
ALL LD

					NAME PASSENGER CAR INSTRUCTION MANUAL				
					REF.	DRAWN	CHECKED	SECT.	SHEET
	6	WAS 120293					F		
2-28-56	5	REDRAWN	4907		DATE	PART No.		7	6.00
DATE	SYM.	REVISION RECORD	AUTH.	DR.	CK.	7-25-55	3726600		



SEE LUBRICATION INSTRUCTION

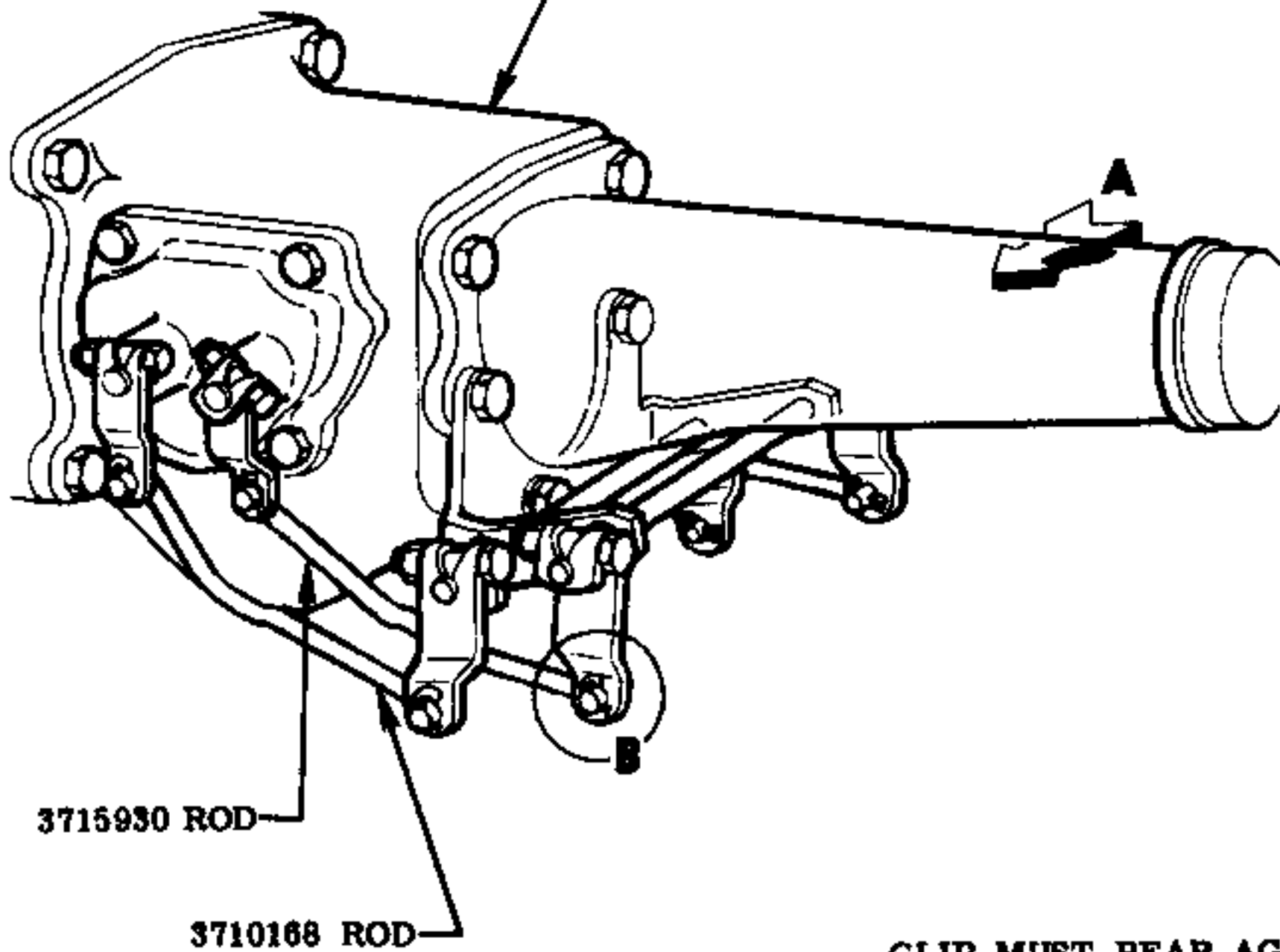
VIEW B

MODELS
ALL RD

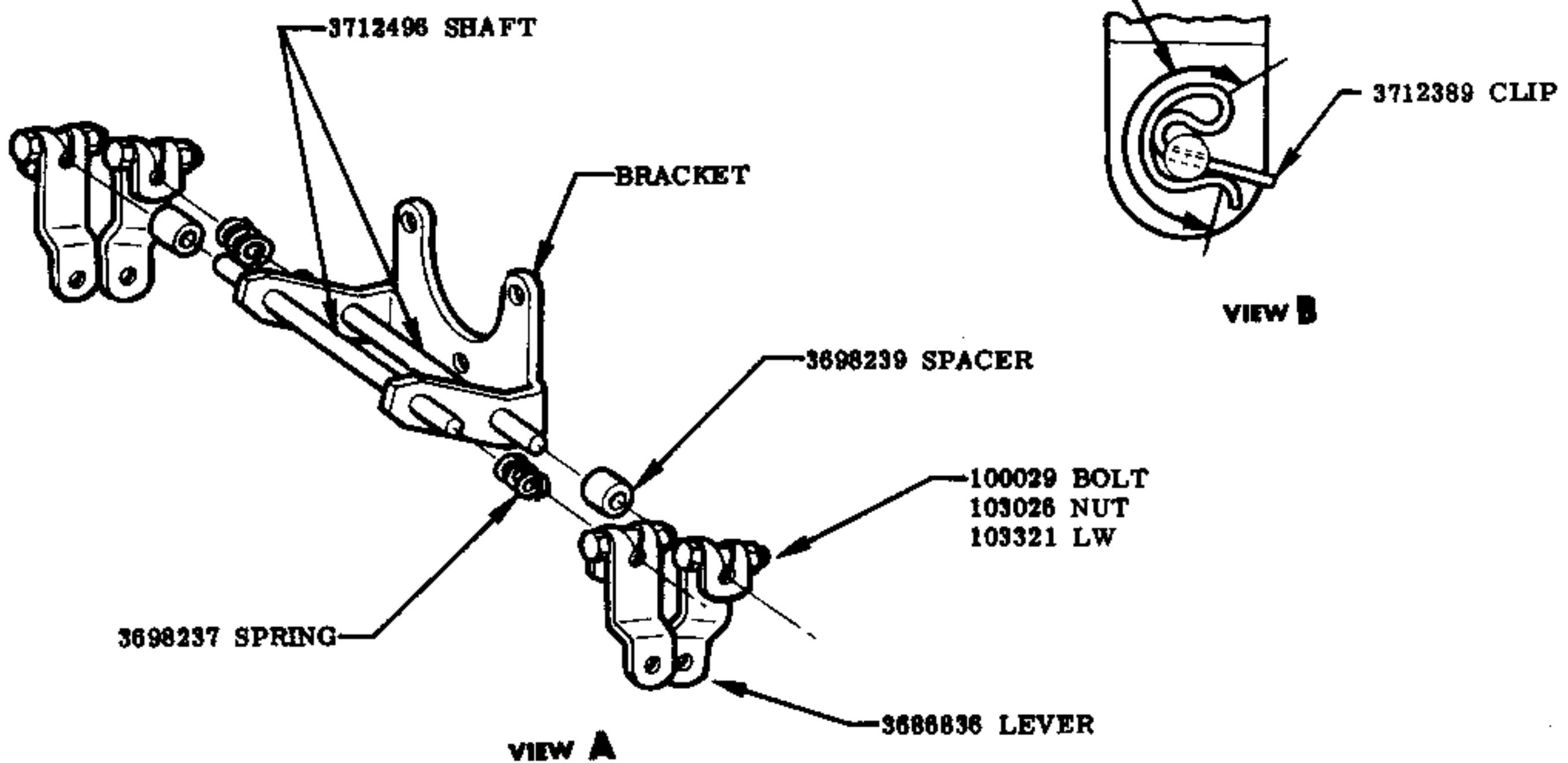
GEARSHIFT LINKAGE INSTRUCTION

					NAME PASSENGER CAR INSTRUCTION MANUAL				
					REF.	DRAWN	CHECKED F	SECT.	SHEET
9-23-55	1	NOTE ADDED	2517	F	DATE 7-25-55	PART No. 3726600	7	7.00	
DATE	SYM.	REVISION RECORD	AUTH.	DR.	CK.				

TRANSMISSION & EXTENSION



CLIP MUST BEAR AGAINST LEVER THIS DISTANCE

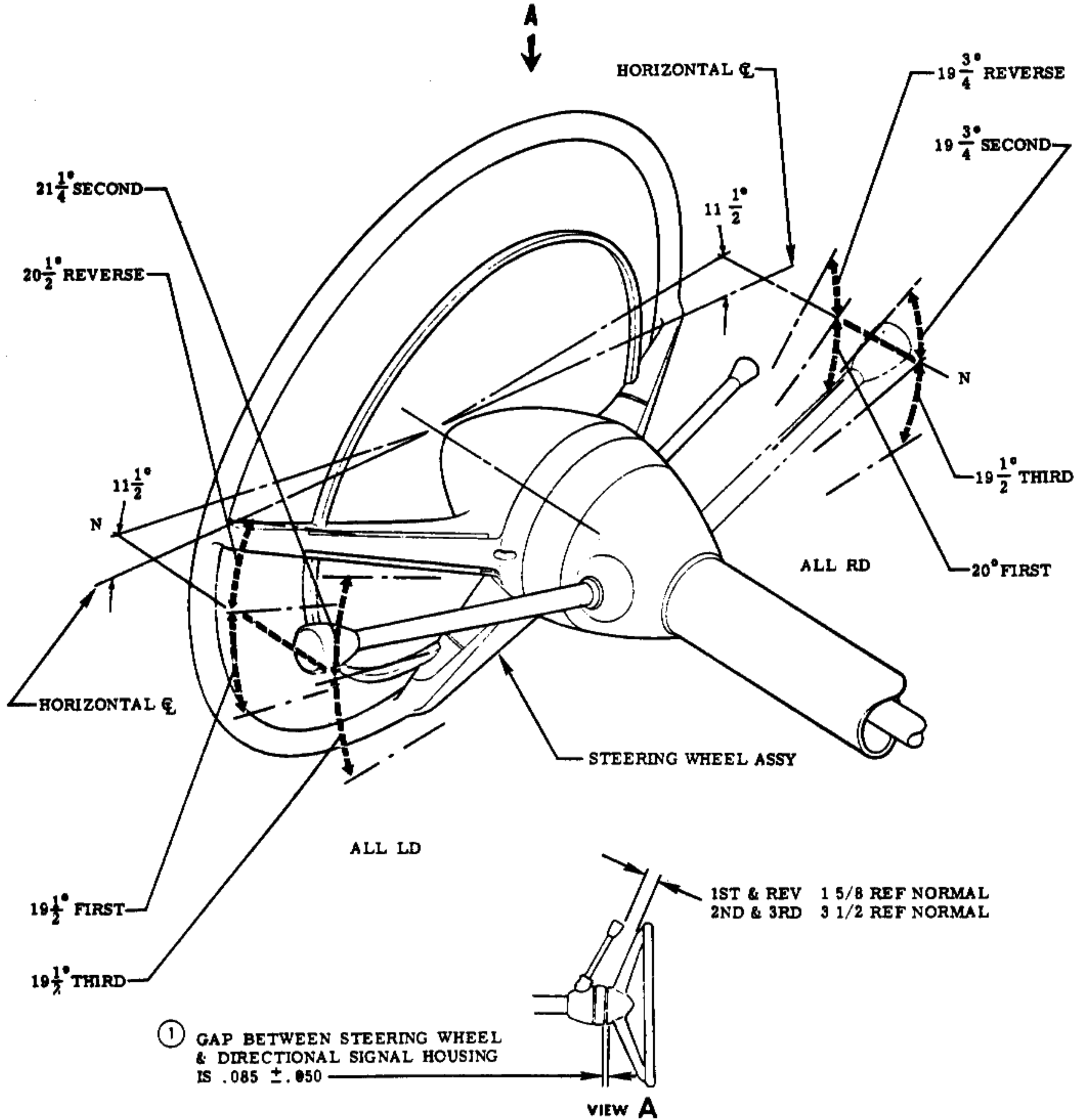


SEE LUBRICATION INSTRUCTION

MODELS
ALL RD

GEARSHIFT LINKAGE INSTRUCTION

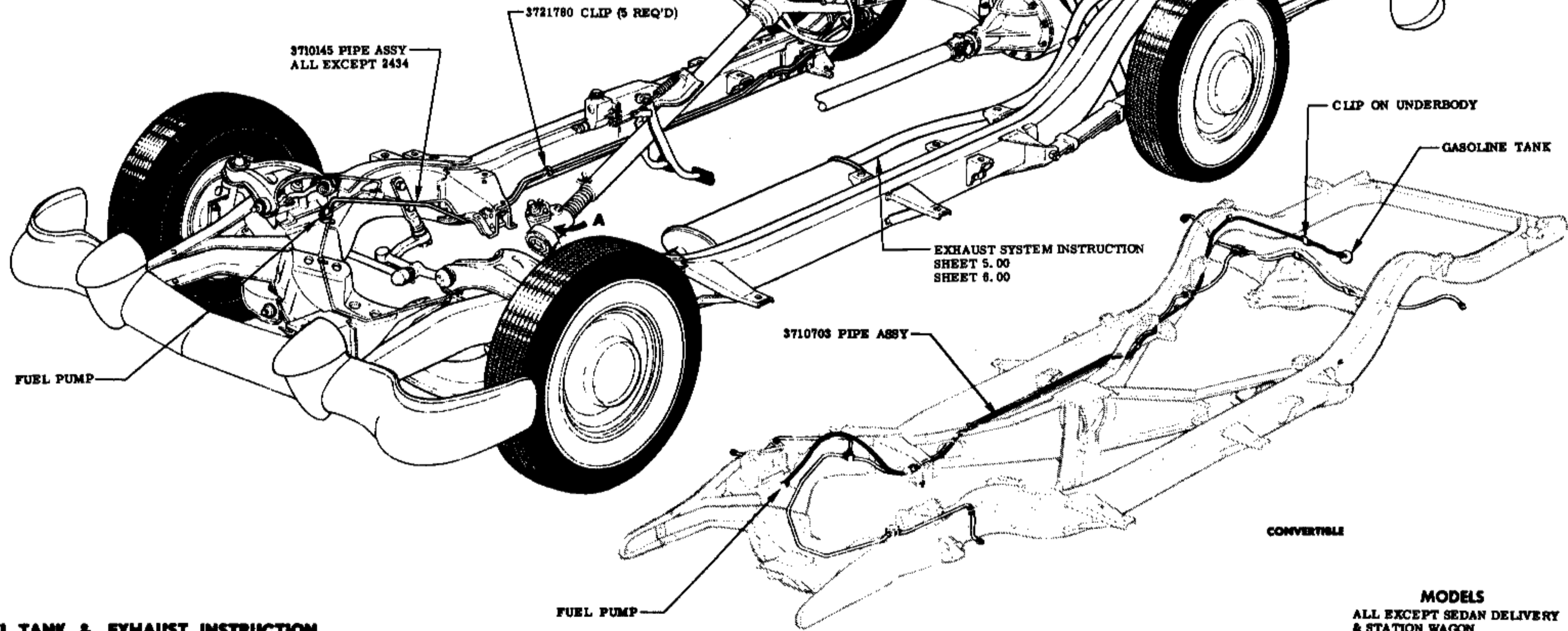
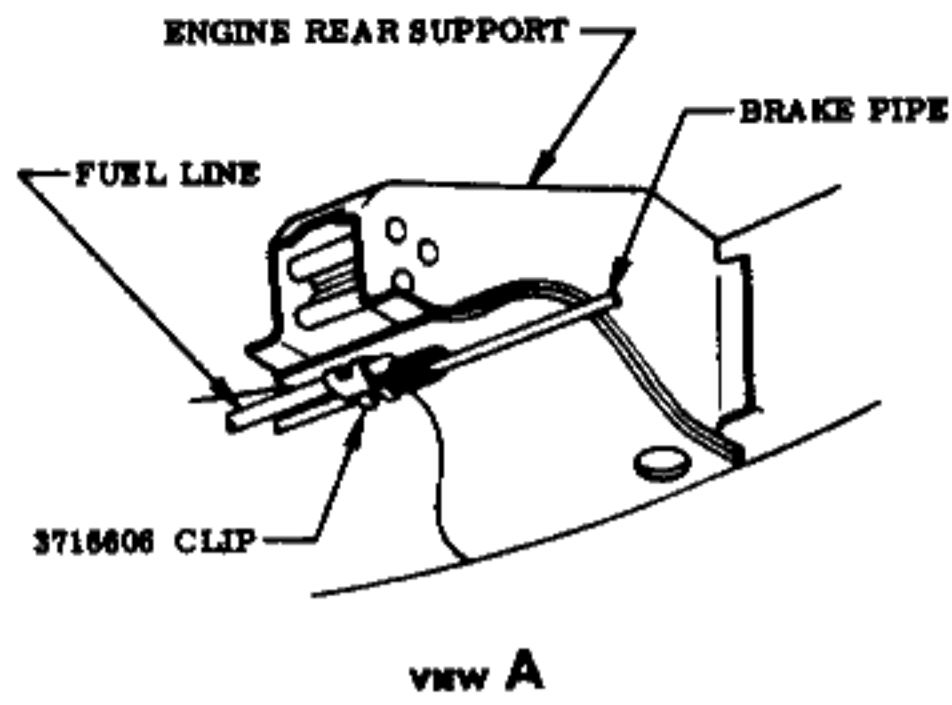
						NAME	PASSENGER CAR INSTRUCTION MANUAL				
						REF.	DRAWN	CHECKED	F	SECT.	SHEET
						DATE	PART No.			7	8.00
DATE	SYM.	REVISION RECORD	AUTH.	DR.	CK.	7-25-55	3726600				



MODELS
ALL

GEARSHIFT LEVER POSITION INSTRUCTION

					NAME PASSENGER CAR INSTRUCTION MANUAL				
					REF.	DRAWN	CHECKED	SECT.	SHEET
					F			7	9.00
9-23-55	1	NOTE ADDED	2517	F	DATE	PART No.			
DATE	SYM.	REVISION RECORD	AUTH.	DR.	CK.	7-25-55	3726600		

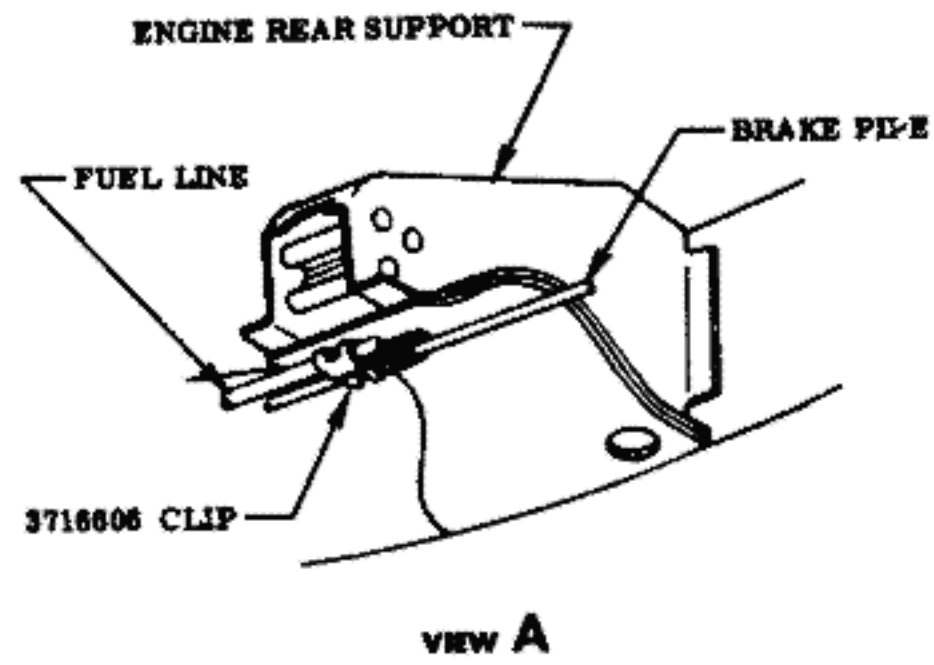


GASOLINE TANK INSTRUCTION
SHEET 2.00

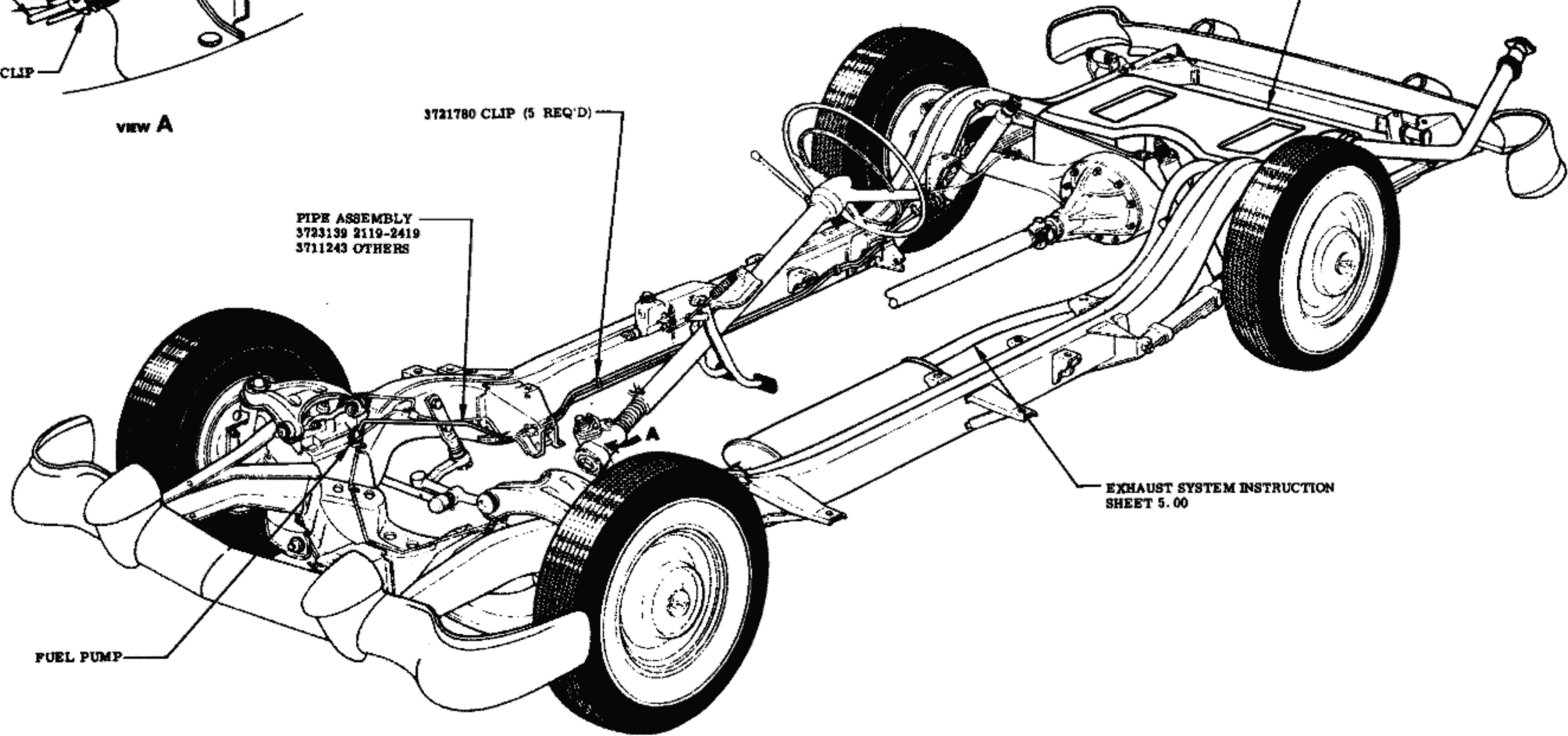
FUEL TANK & EXHAUST INSTRUCTION

MODELS
ALL EXCEPT SEDAN DELIVERY
& STATION WAGON

						NAME PASSENGER CAR INSTRUCTION MANUAL					
						REF.	DRAWN	CHECKED	F	SECT.	SHEET
						DATE	PART No.				
DATE	SYM.	REVISION RECORD	AUTH.	DR.	CK.	7-25-55	3726600				
								8	1.00 A		



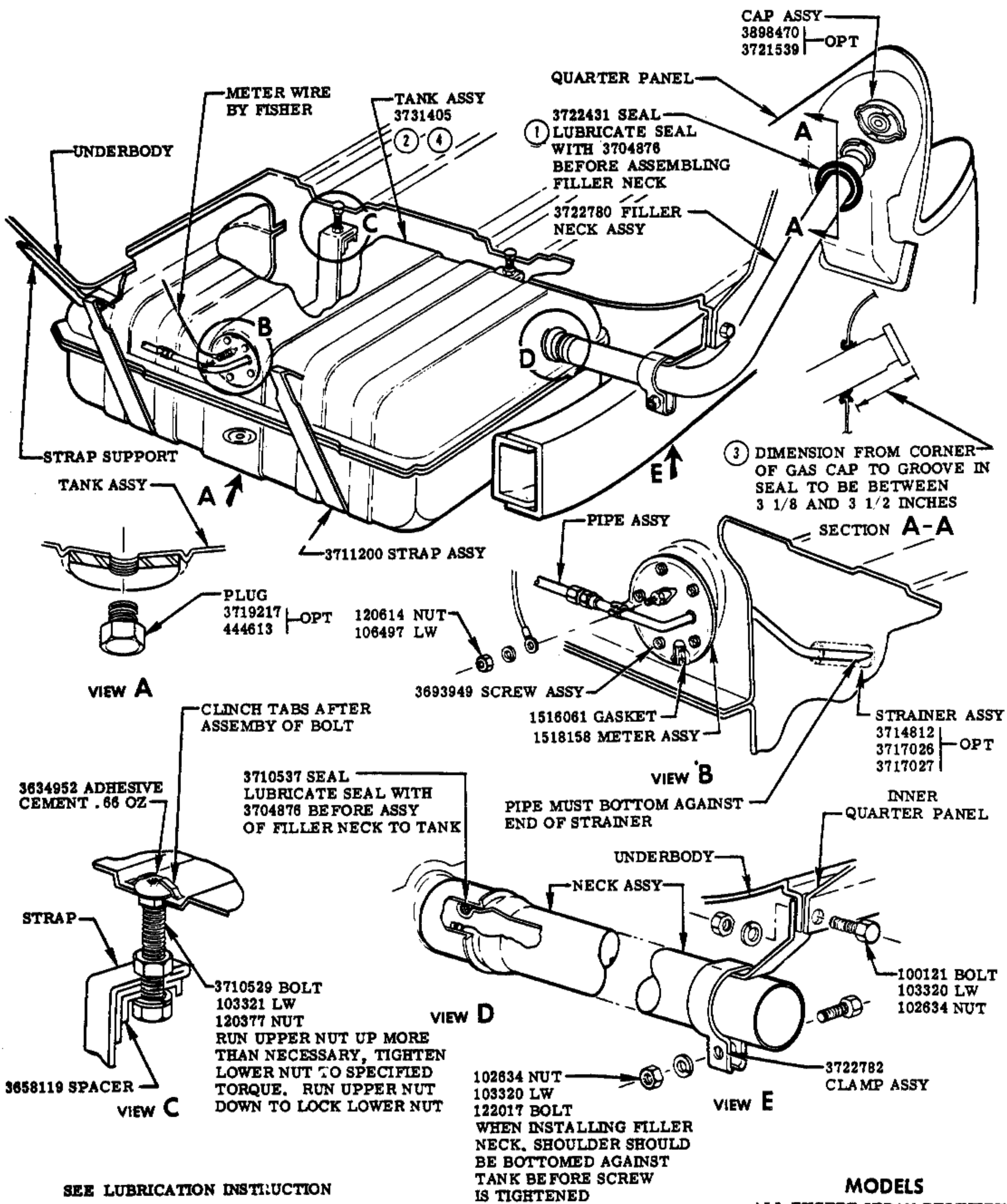
GASOLINE TANK INSTRUCTION
SHEET 3.00 ALL EXCEPT 2119-2419
SHEET 4.00 2119-2419



FUEL TANK & EXHAUST INSTRUCTION

MODELS
STATION WAGON &
SEDAN DELIVERY

						NAME PASSENGER CAR INSTRUCTION MANUAL				
						REF.	DRAWN	CHECKED	SECT.	SHEET
						DATE	PART No.		8	1.00B
DATE	SYM.	REVISION RECORD	AUTH.	DR.	CK.	7-25-55	3726600			

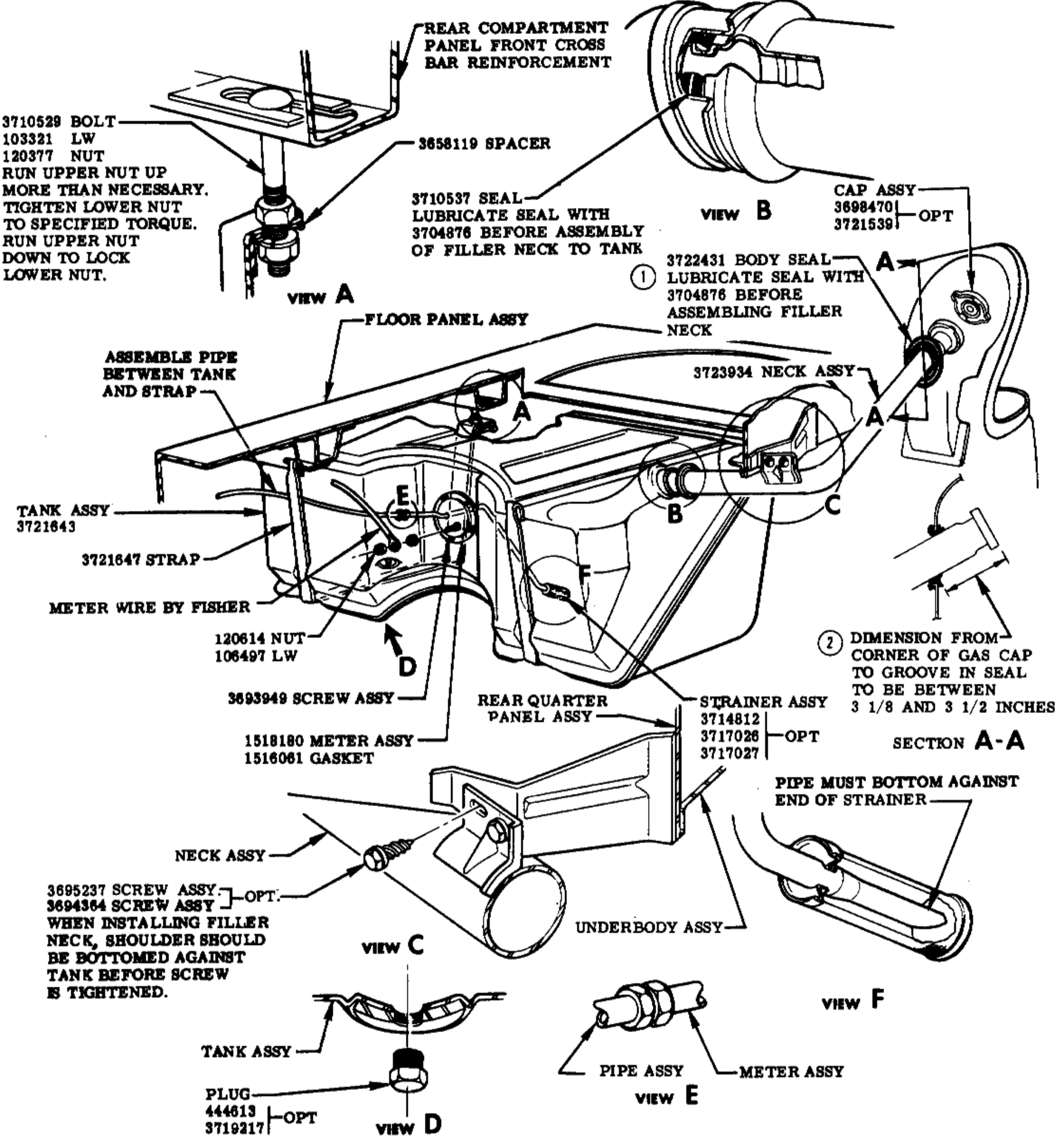


SEE LUBRICATION INSTRUCTION

GASOLINE TANK INSTRUCTION

MODELS
 ALL EXCEPT SEDAN DELIVERY & STATION WAGON

REVISION RECORD					PASSENGER CAR INSTRUCTION MANUAL					
DATE	SYM.	REVISION	AUTH.	DR.	CK.	REF.	DRAWN	CHECKED	SECT.	SHEET
3-20-58	4	3710907 OPT. REMOVED	8718		F					
	3	SECTION ADDED	8376		F					
1-30-56	2	3731405 OPT ADDED	4420							
9-28-55	1	NOTE ADDED	4382		F					
						DATE	PART No.		8	2.00
						7-25-55	3726600			



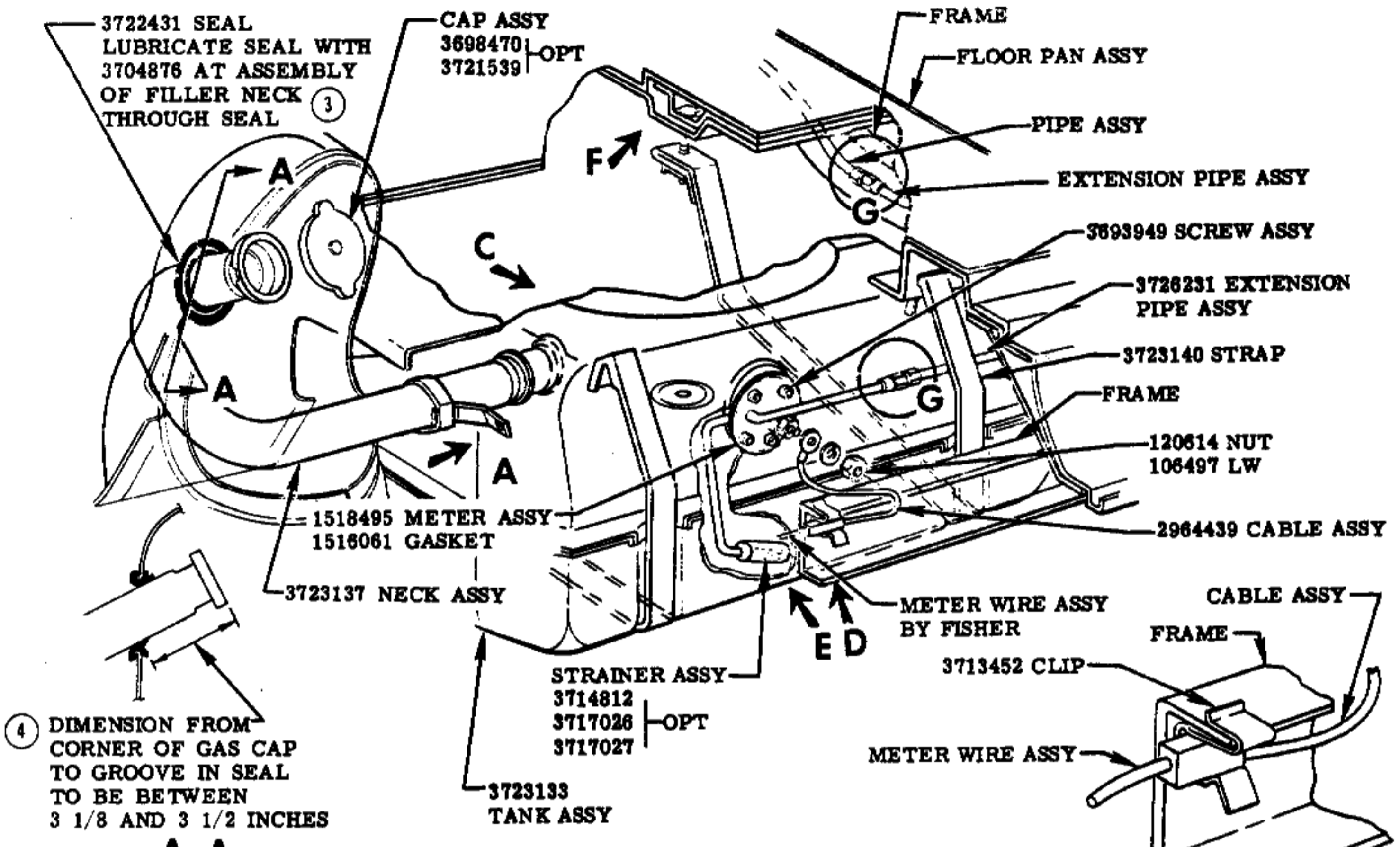
SEE LUBRICATION INSTRUCTION

GASOLINE TANK INSTRUCTION

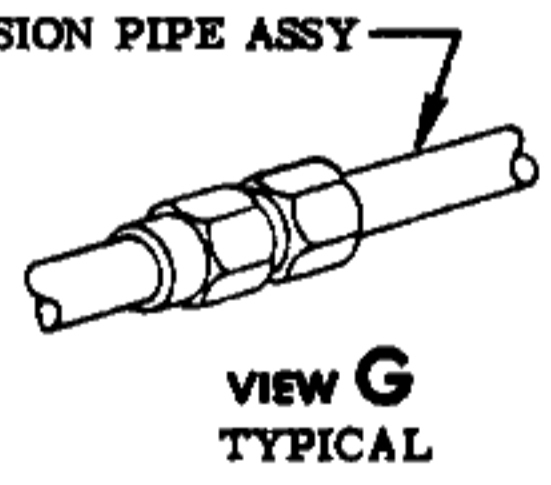
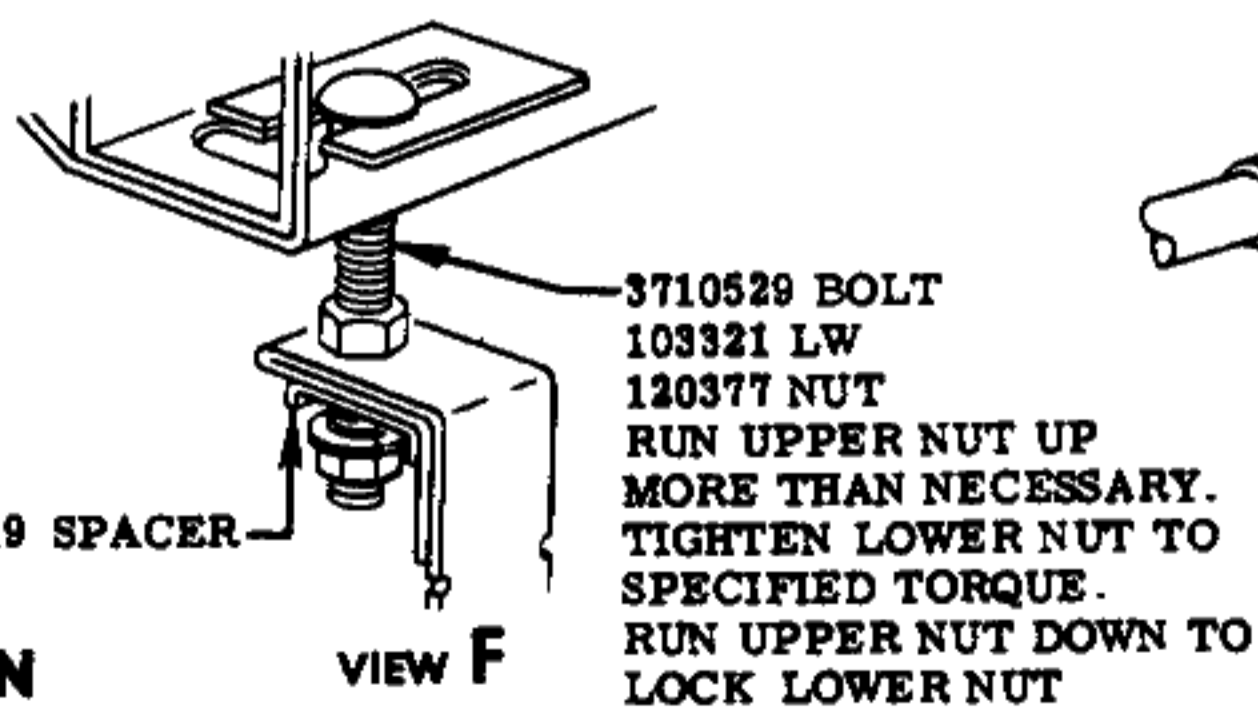
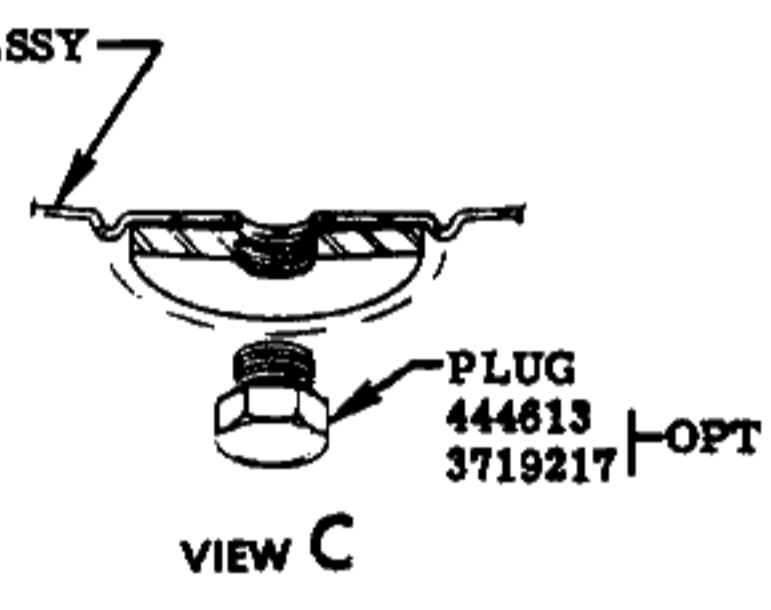
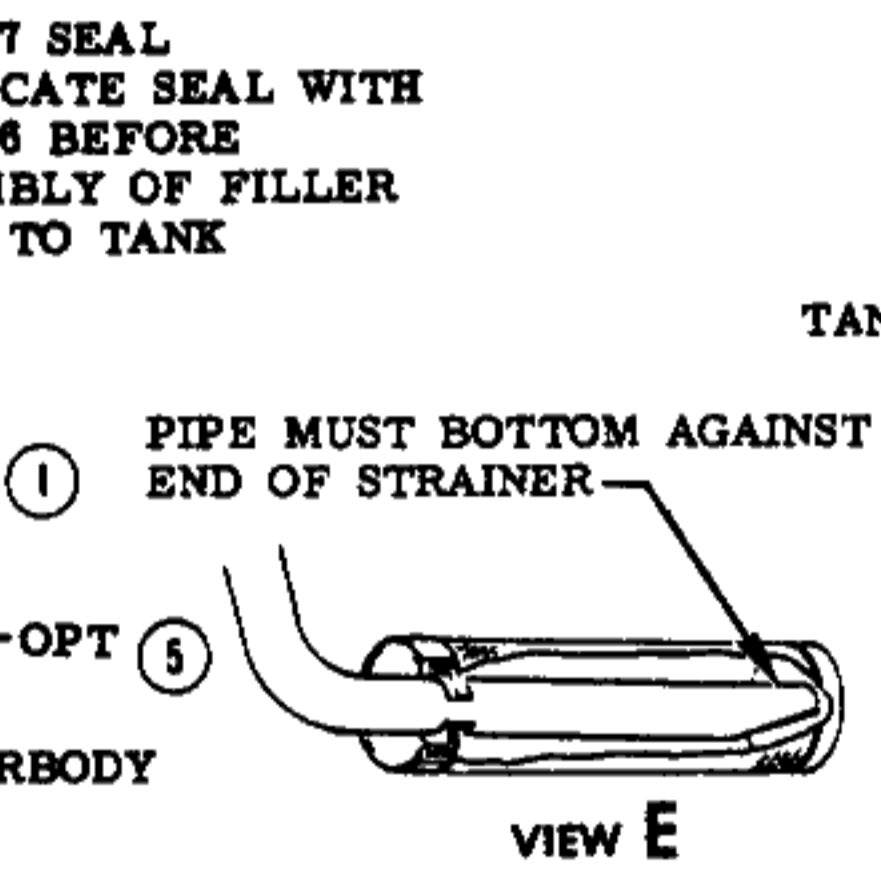
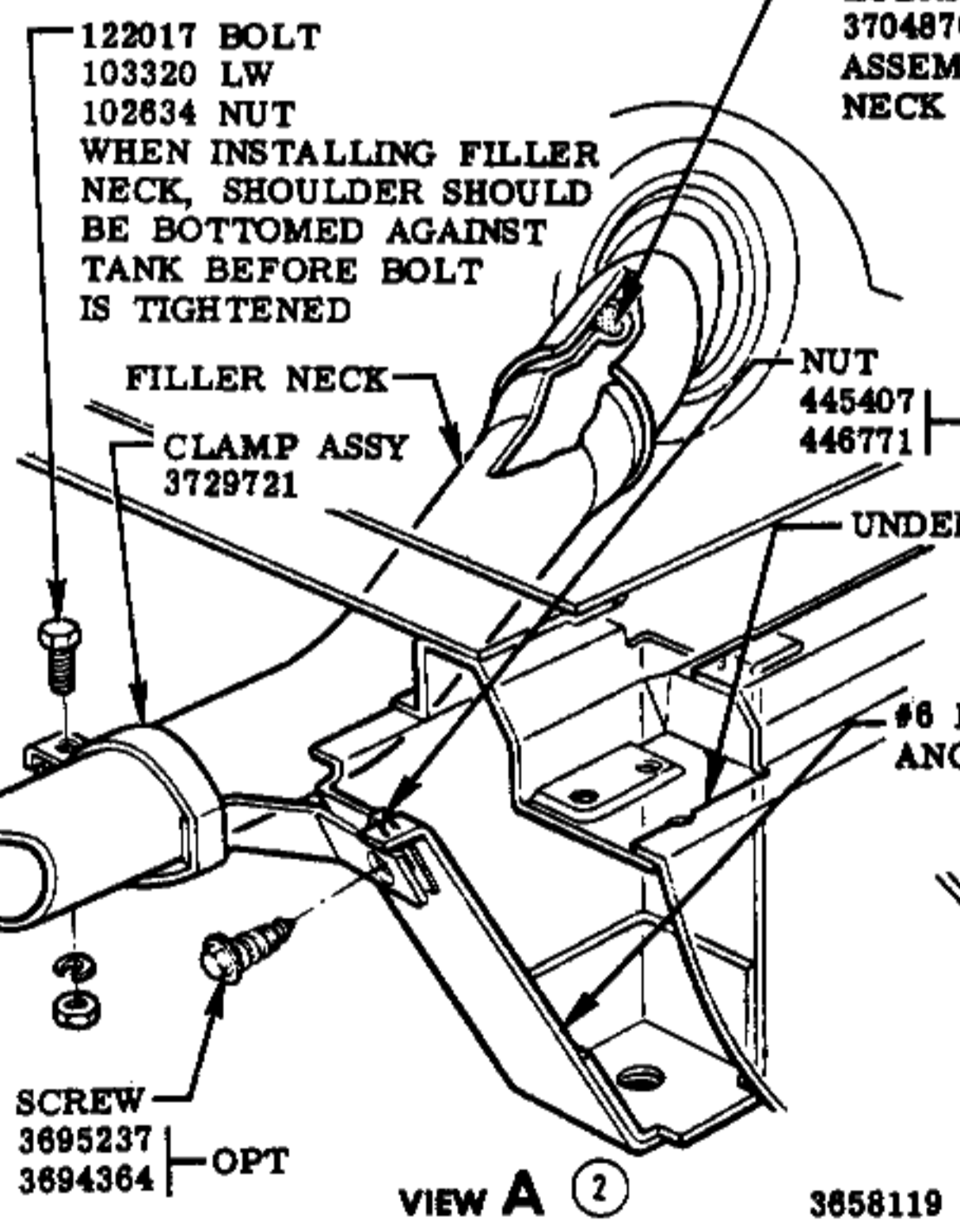
MODELS

SEDAN DELIVERY &
 STATION WAGON
 EXCEPT 2119-2419

					PASSENGER CAR INSTRUCTION MANUAL					
					NAME	DRAWN		CHECKED	SECT.	SHEET
1-30-56	2	SECTION ADDED	6376	F	REF.			F	8	3.00
9-28-55	1	NOTE ADDED	4382	F	DATE	PART No.				
DATE	SYM.	REVISION RECORD	AUTH.	DR.	CK.	7-25-55	3726600			



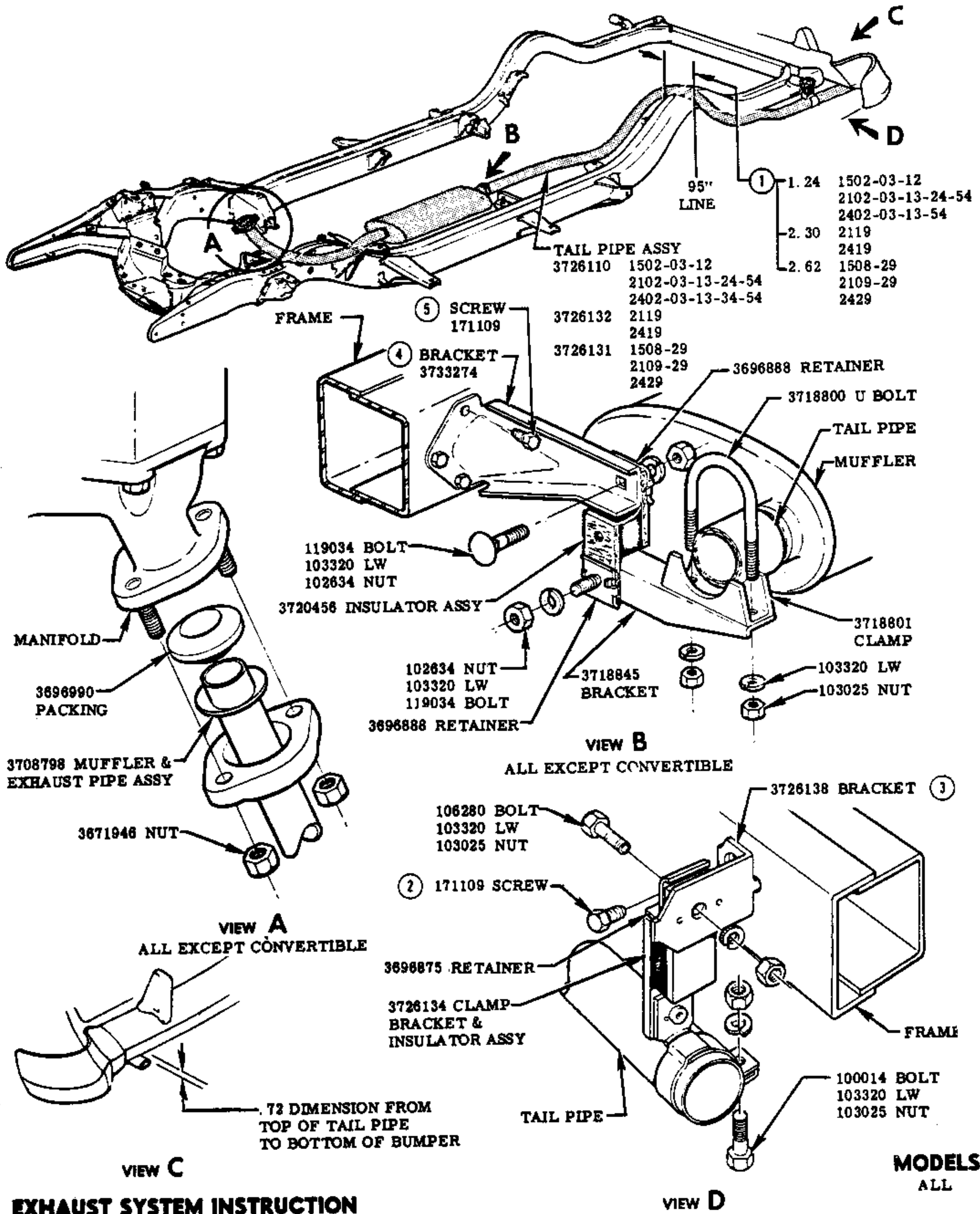
④ DIMENSION FROM
CORNER OF GAS CAP
TO GROOVE IN SEAL
TO BE BETWEEN
3 1/8 AND 3 1/2 INCHES
SECTION A-A



GASOLINE TANK INSTRUCTION

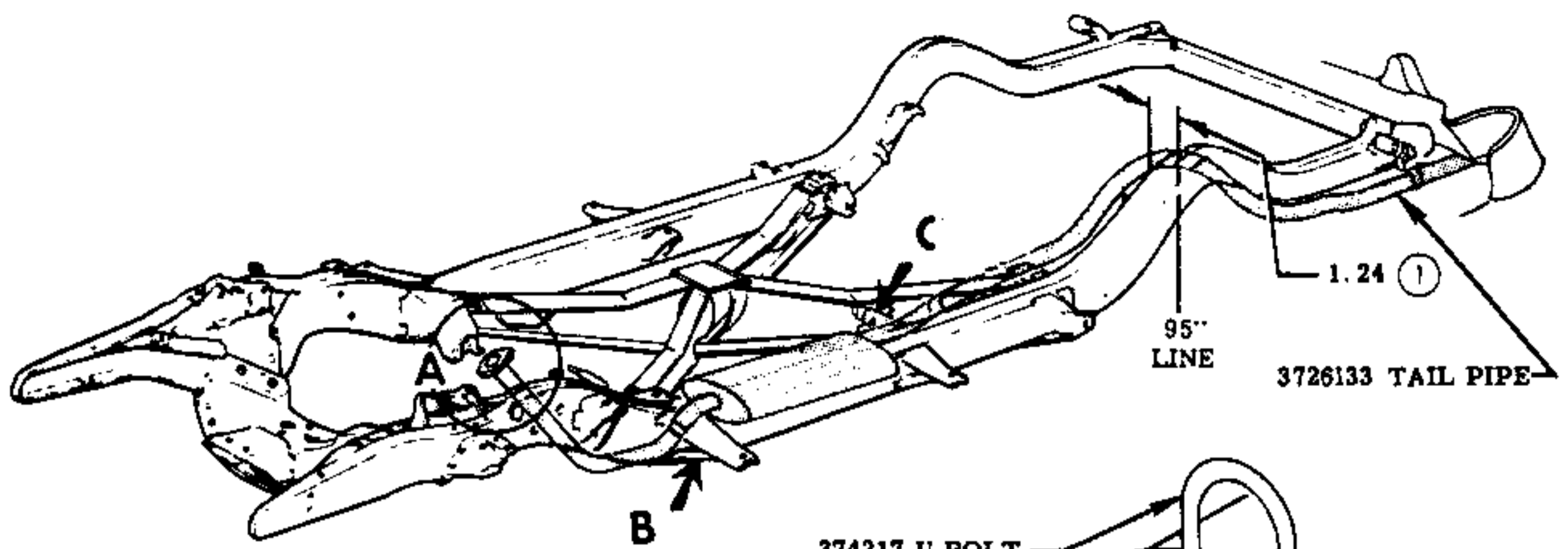
MODELS
2119 — 2419

2-28-56	5	446771 OPT ADDED	3457		F	NAME	PASSENGER CAR INSTRUCTION MANUAL					
1-30-56	4	SECTION ADDED	6376		F		REF.	DRAWN	CHECKED	F	SECT.	SHEET
	3	NOTE ADDED	4382		F		DATE				8	4.00
	2	VIEW A REVISED & REDRAWN				7-25-55	PART No.	3726600				
10-13-55	1	VIEW B REMOVED	3457									
DATE	SYM.	REVISION RECORD	AUTH.	DR.	CK.							



EXHAUST SYSTEM INSTRUCTION

DATE	SYM.	REVISION RECORD	AUTH.	DR.	CK.	NAME	PASSENGER CAR INSTRUCTION MANUAL					
3-20-56	5	PART ADDED				F	REF.	DRAWN	CHECKED	F	SECT.	SHEET
	4	NO. ADDED	6026			F					8	5.00
	3	NO. ADDED					DATE	PART No.				
11-21-55	1	DIM'S & MODELS ADDED	5089				7-25-55	3726600				



374217 U BOLT

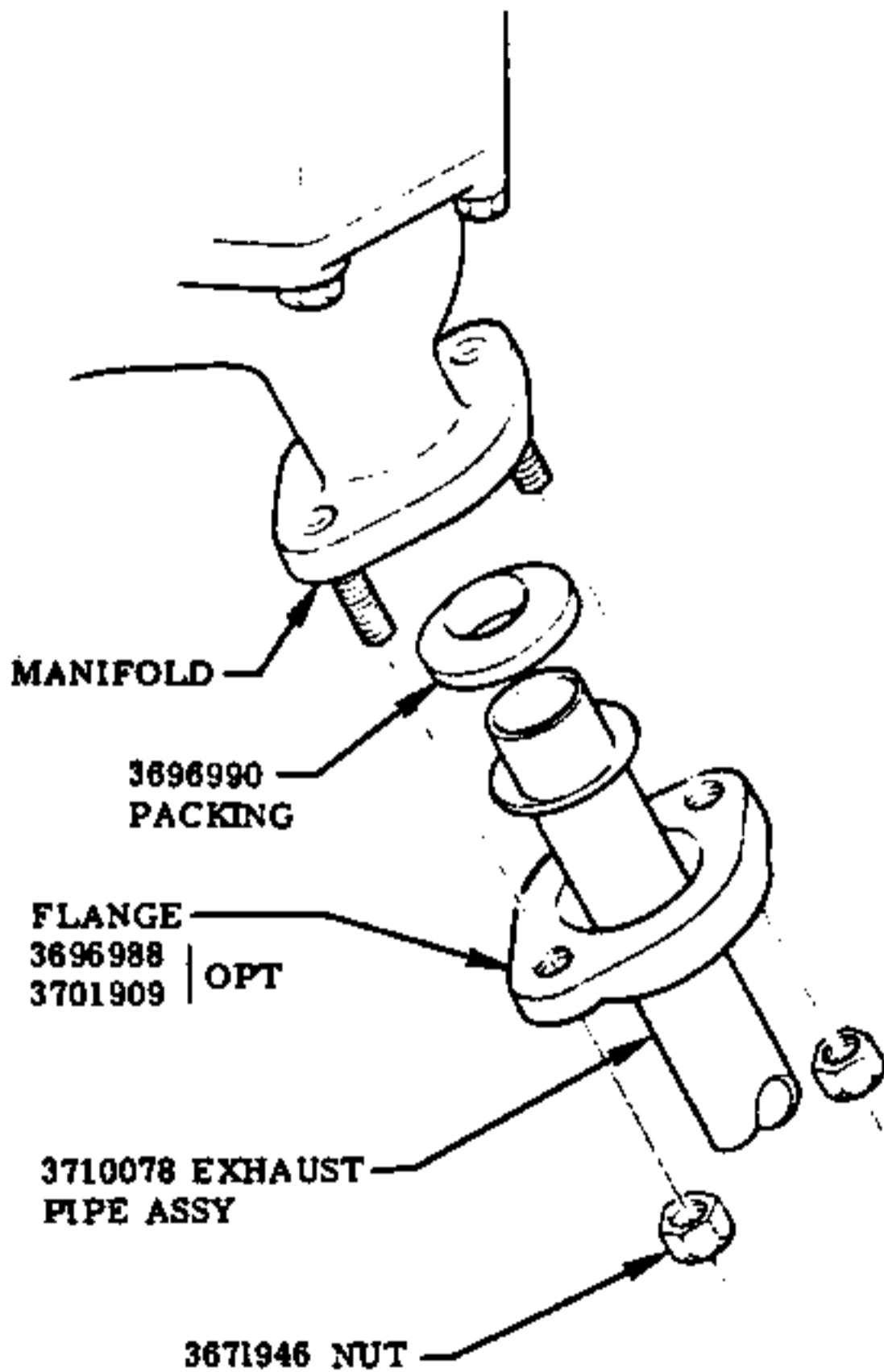
EXHAUST PIPE

374215 CLAMP

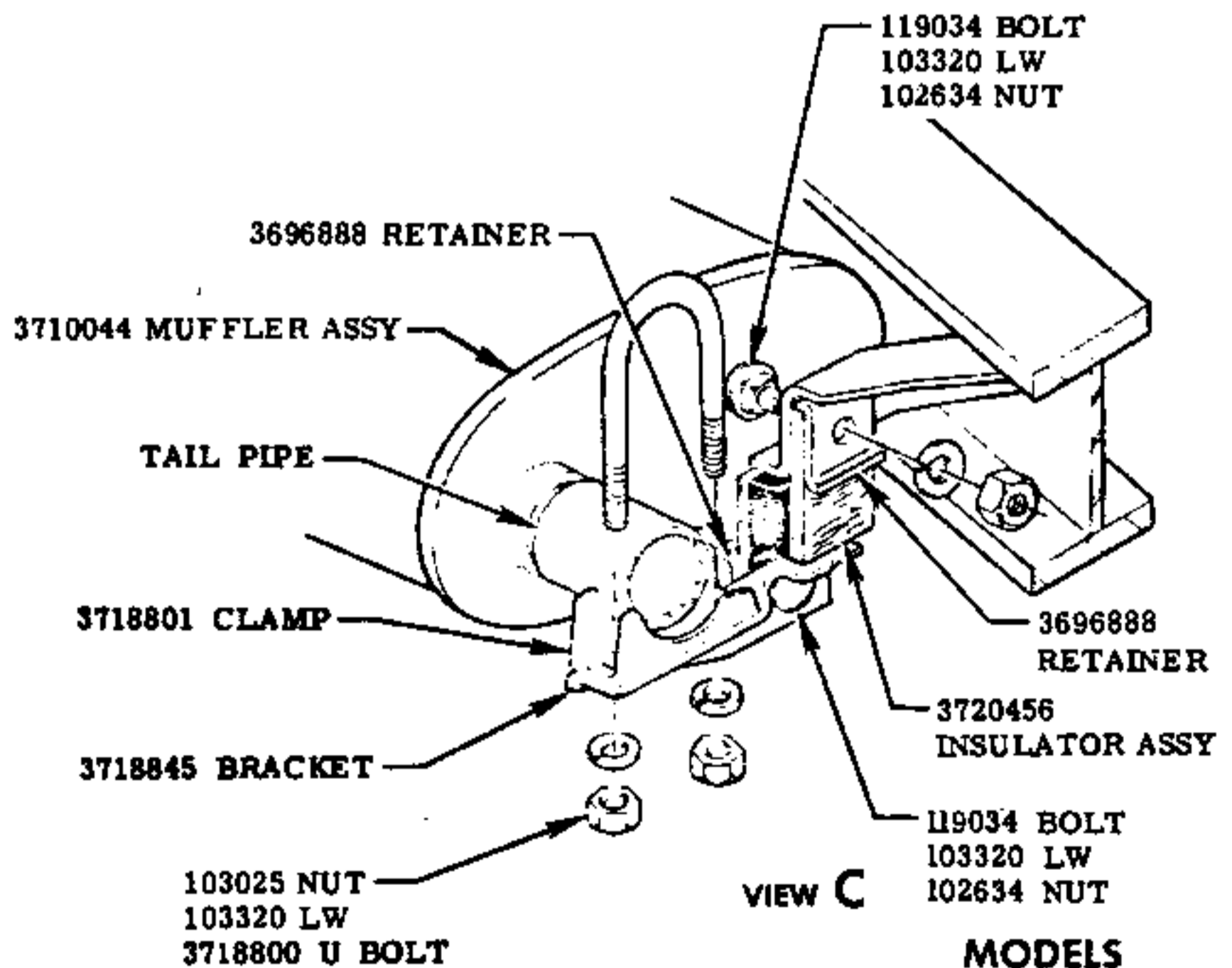
103320 LW

103025 NUT

VIEW B



VIEW A

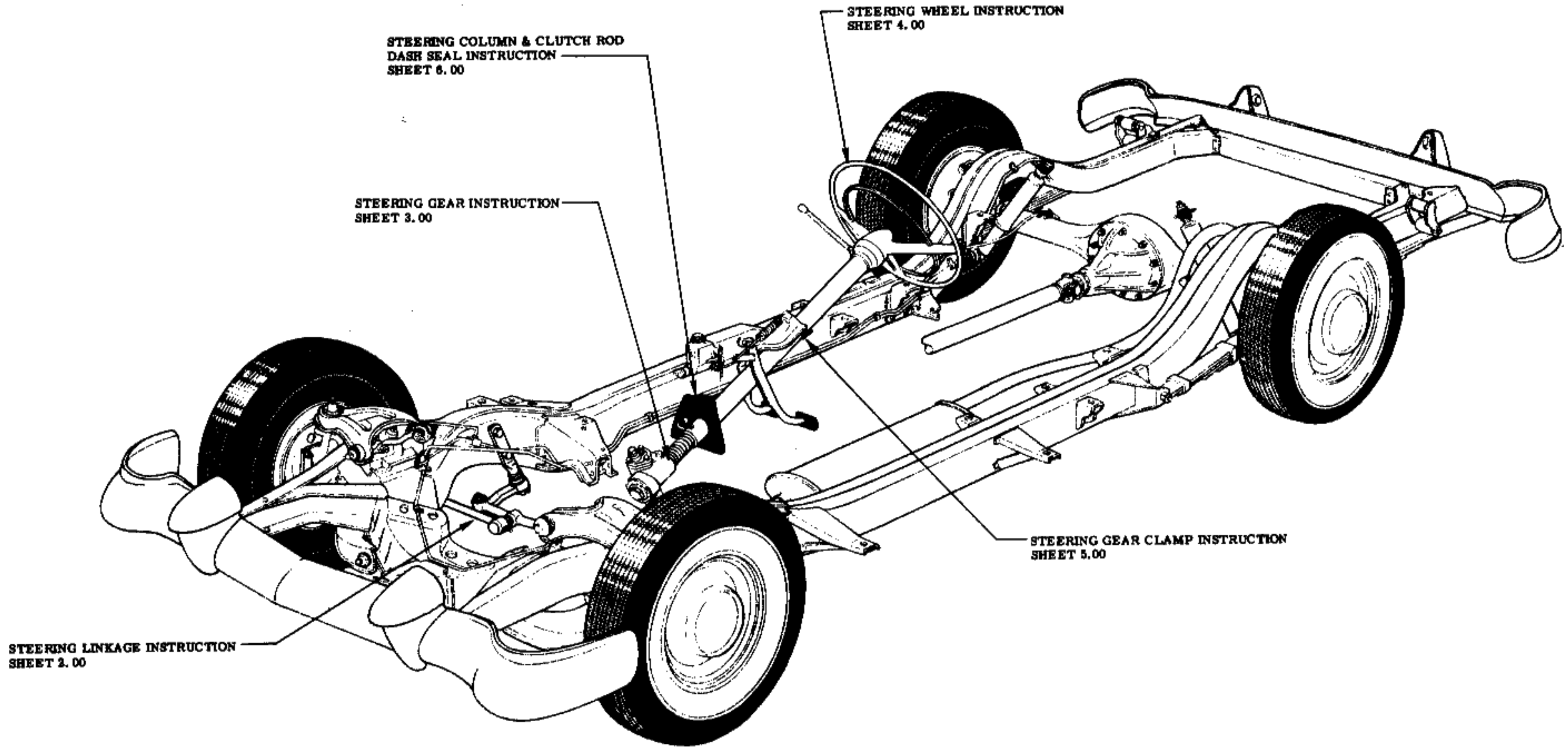


VIEW C

MODELS
CONVERTIBLE

EXHAUST SYSTEM INSTRUCTION

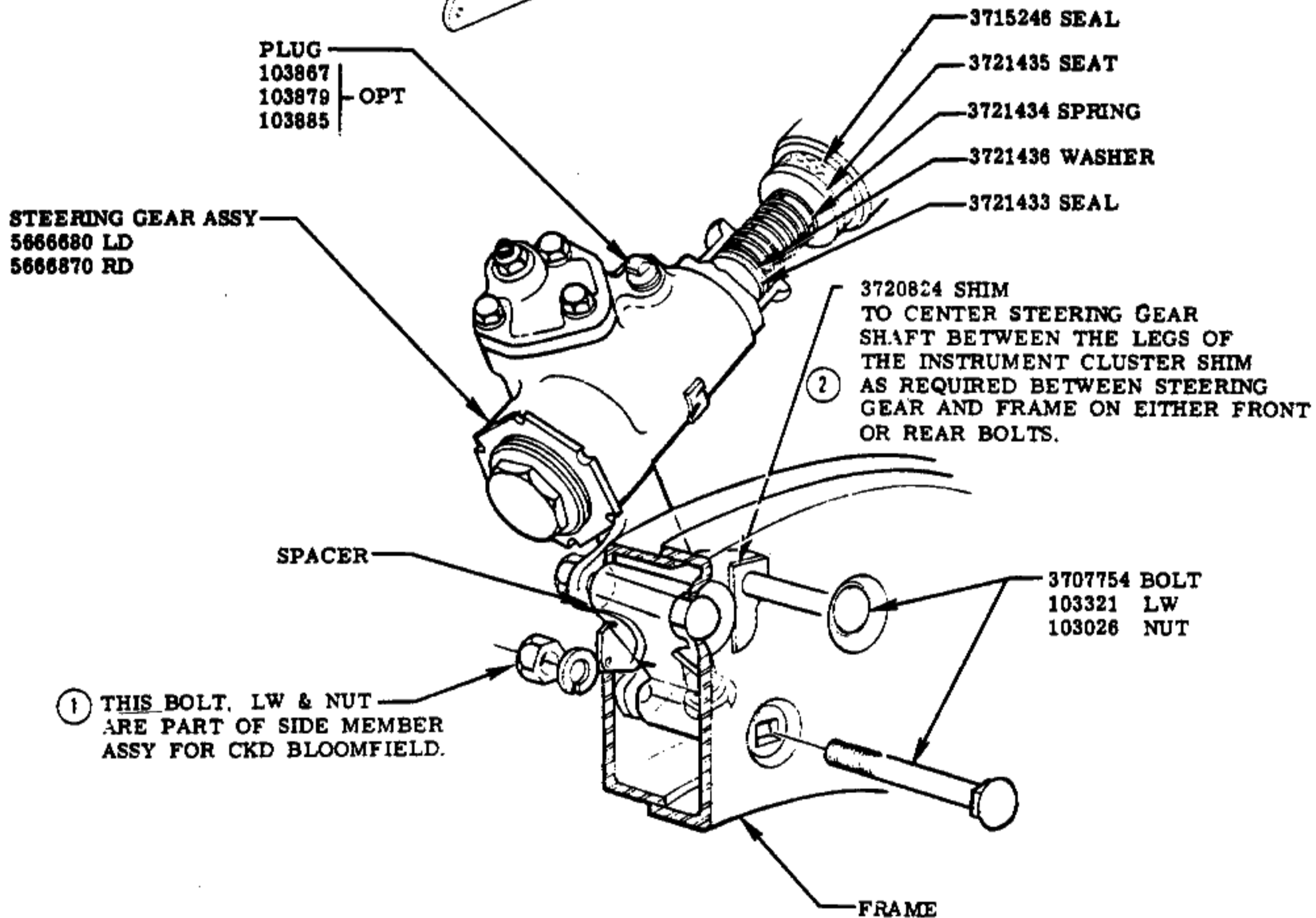
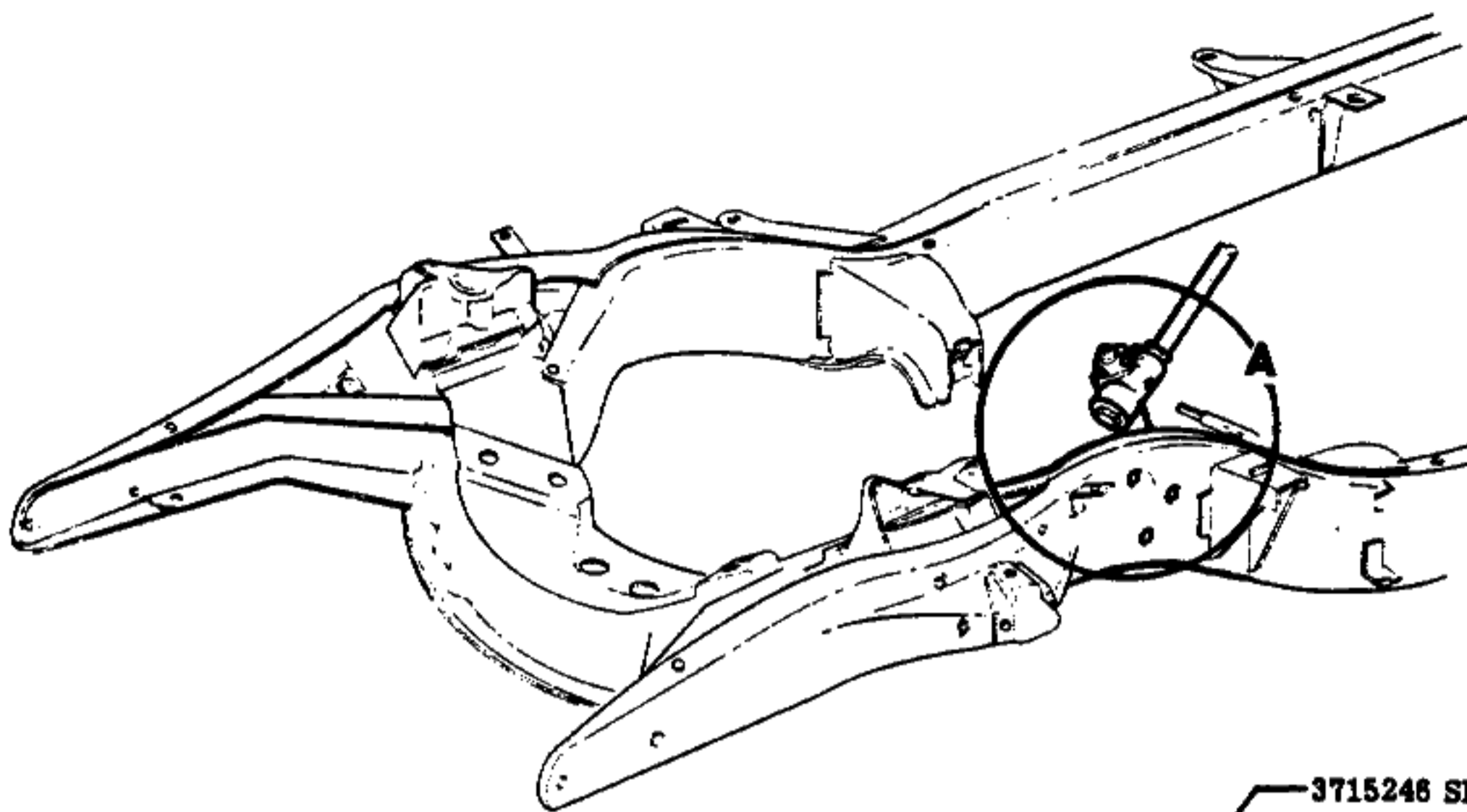
					NAME	PASSENGER CAR INSTRUCTION MANUAL			
					REF.	DRAWN	CHECKED	SECT.	SHEET
11-21-55	1	DIM ADDED	5089	F	DATE	PART No.		8	6.00
DATE	SYM.	REVISION RECORD	AUTH.	DR.	CK.	7-25-55	3726600		



STEERING MECHANISM INSTRUCTION

MODELS
ALL

						NAME PASSENGER CAR INSTRUCTION MANUAL				
						REF.	DRAWN	CHECKED F	SECT.	SHEET
						DATE 7-25-55	PART No. 3726600		9	1.00
DATE	SYM.	REVISION RECORD	AUTH.	DR.	CK.					



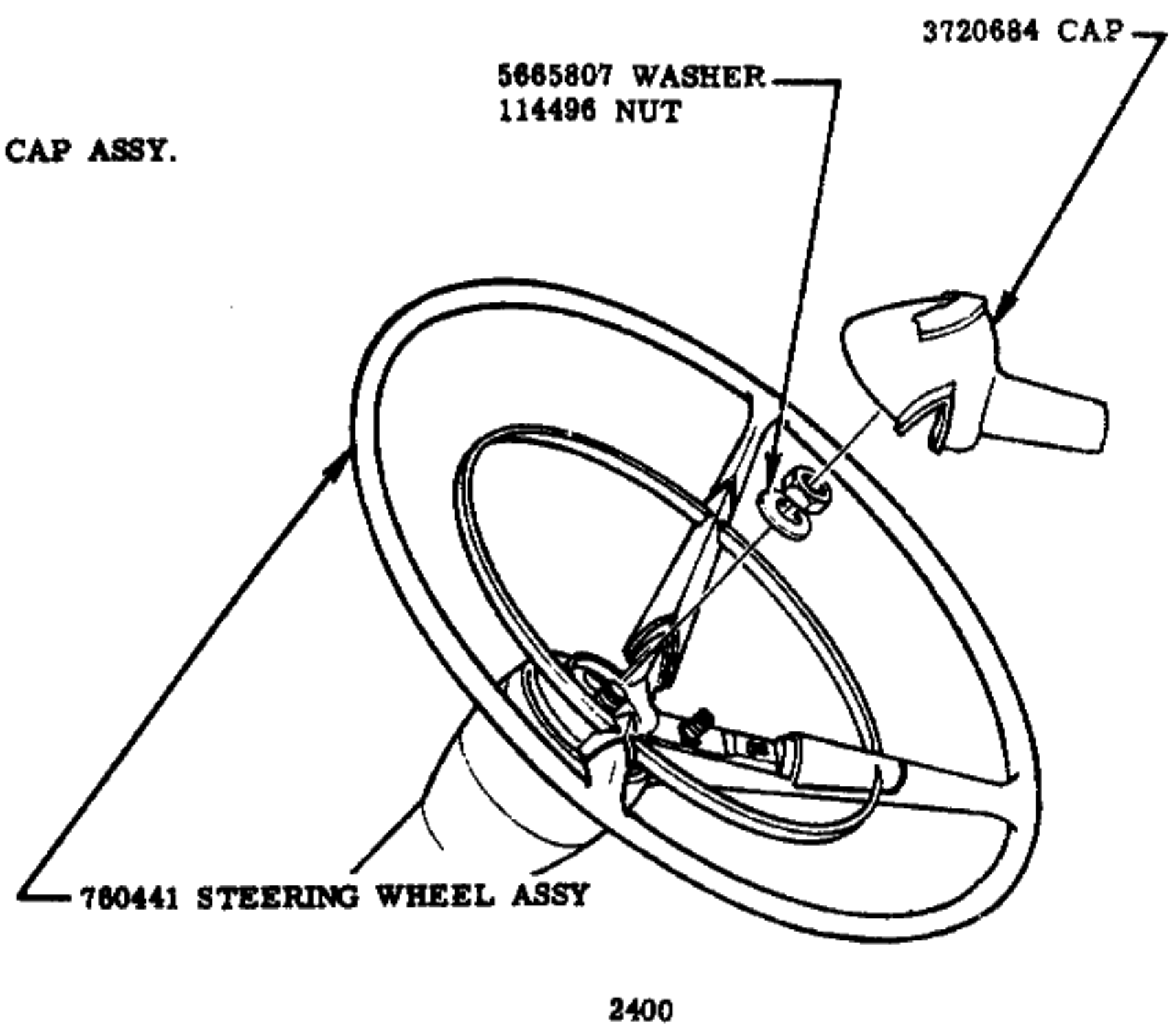
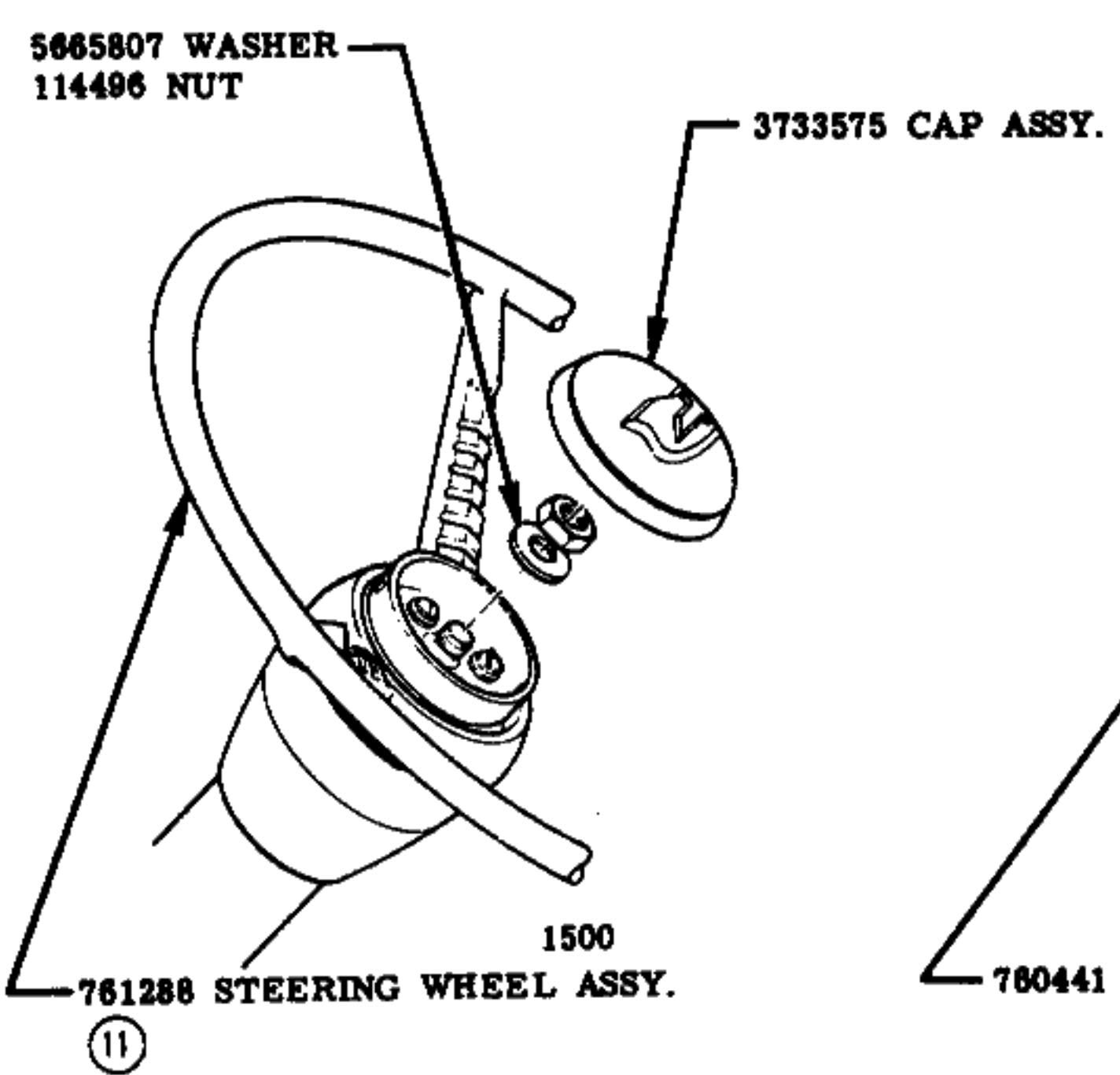
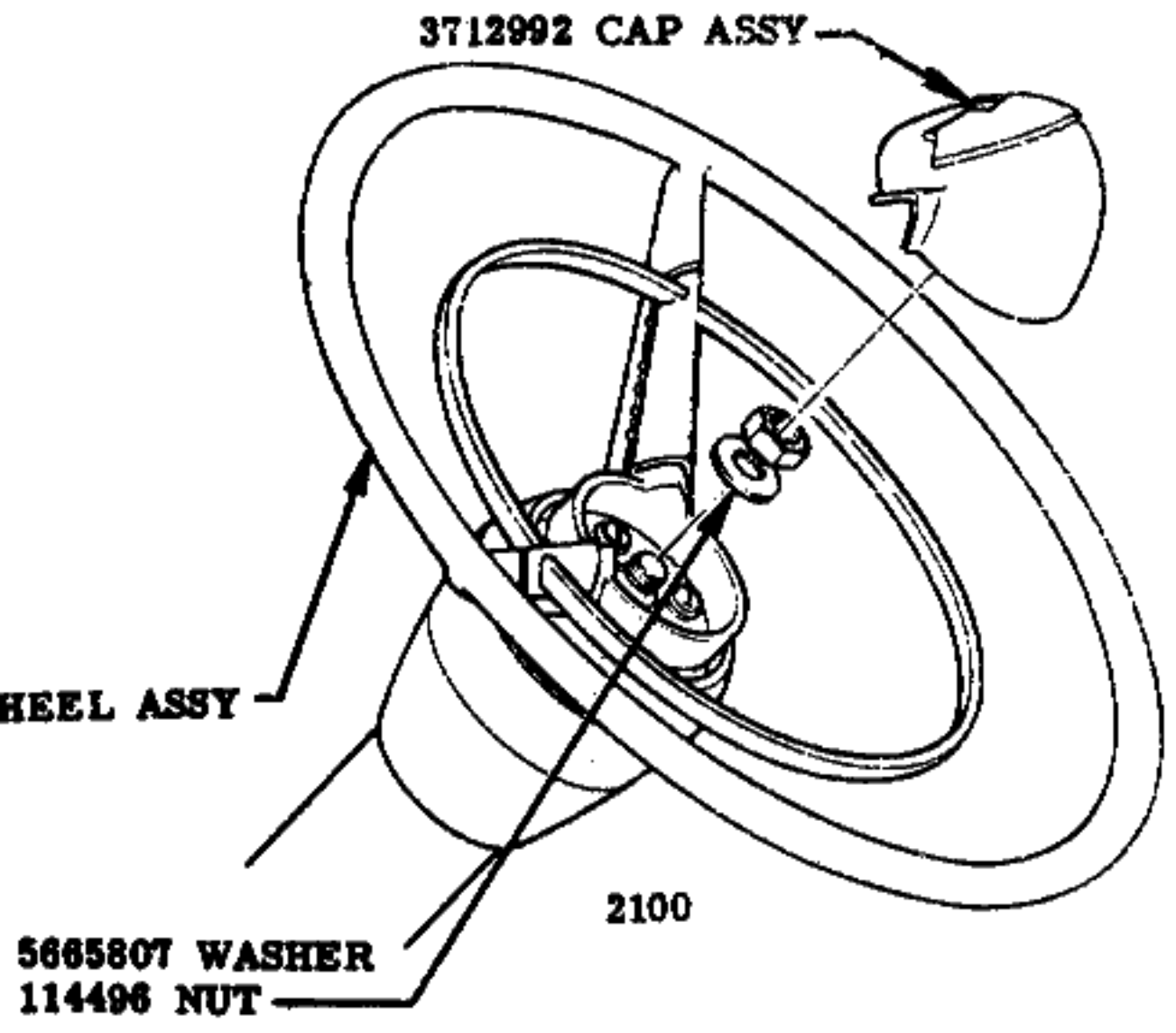
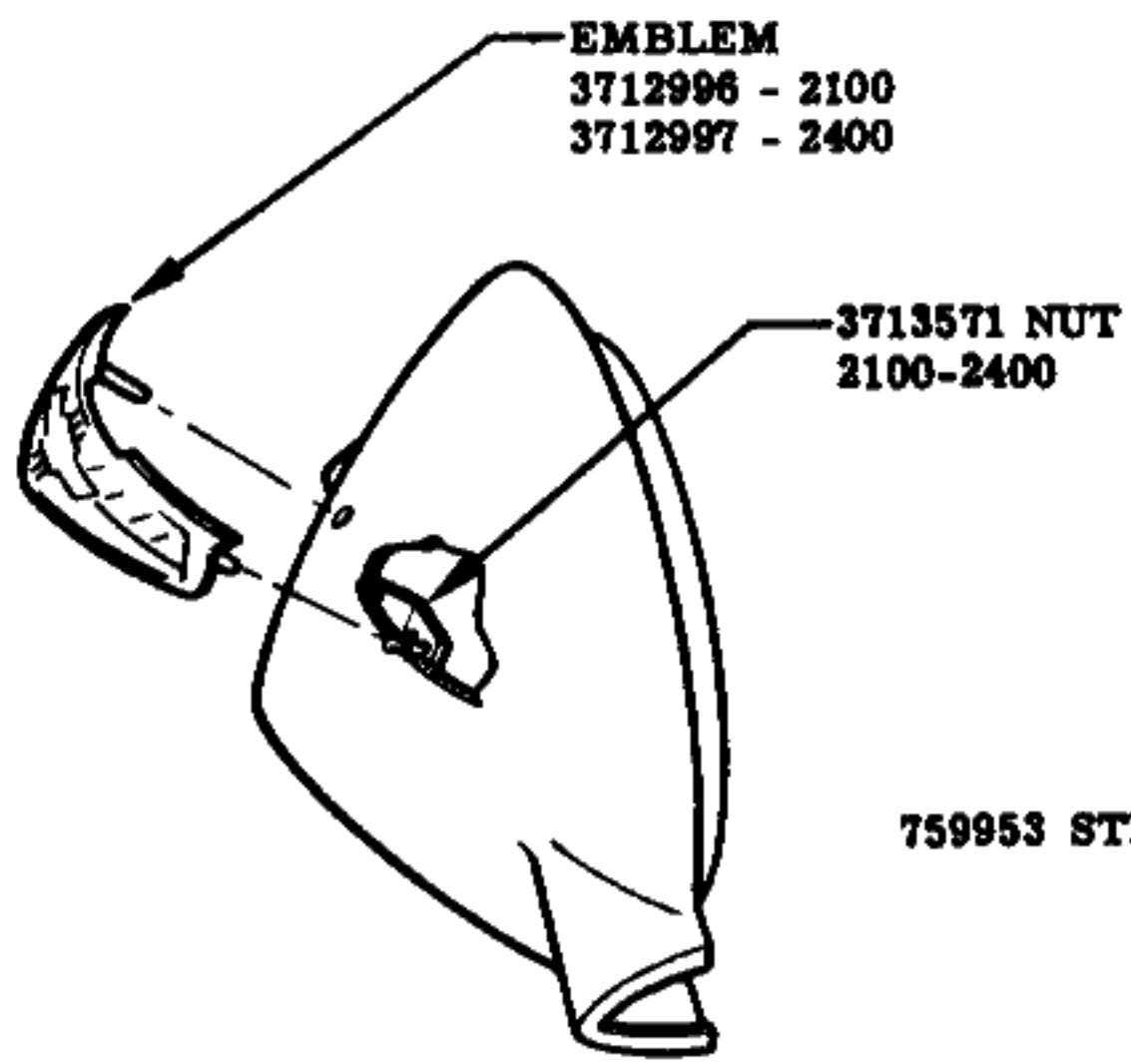
SEE LUBRICATION INSTRUCTION

VIEW A

MODELS
ALL

STEERING GEAR INSTRUCTION

					NAME PASSENGER CAR INSTRUCTION MANUAL				
					REF.	DRAWN	CHECKED	SECT.	SHEET
							F	9	3.00
9-23-55	2	NOTE REVISED	2517	F	DATE	PART No.			
	1	NOTE ADDED	4780		7-25-55	3726600			
DATE	SYM.	REVISION RECORD	AUTH.	DR.	CK.				

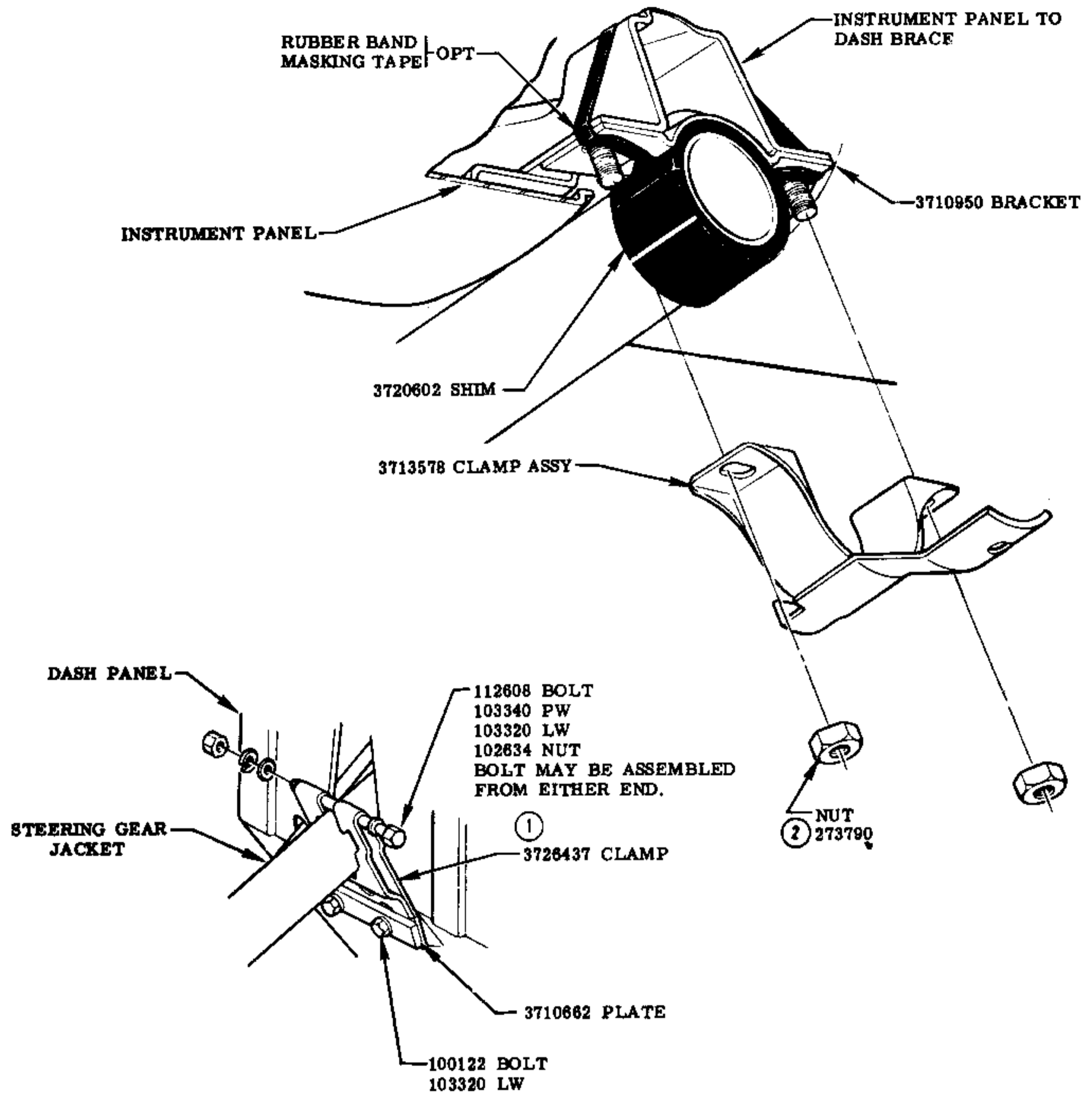


NOTE - MARK ON HUB OF STEERING WHEEL MUST BE IN LINE WITH MARK ON SHAFT AND STAKE NUT AT ASSEMBLY

MODELS
ALL

STEERING WHEEL INSTRUCTION

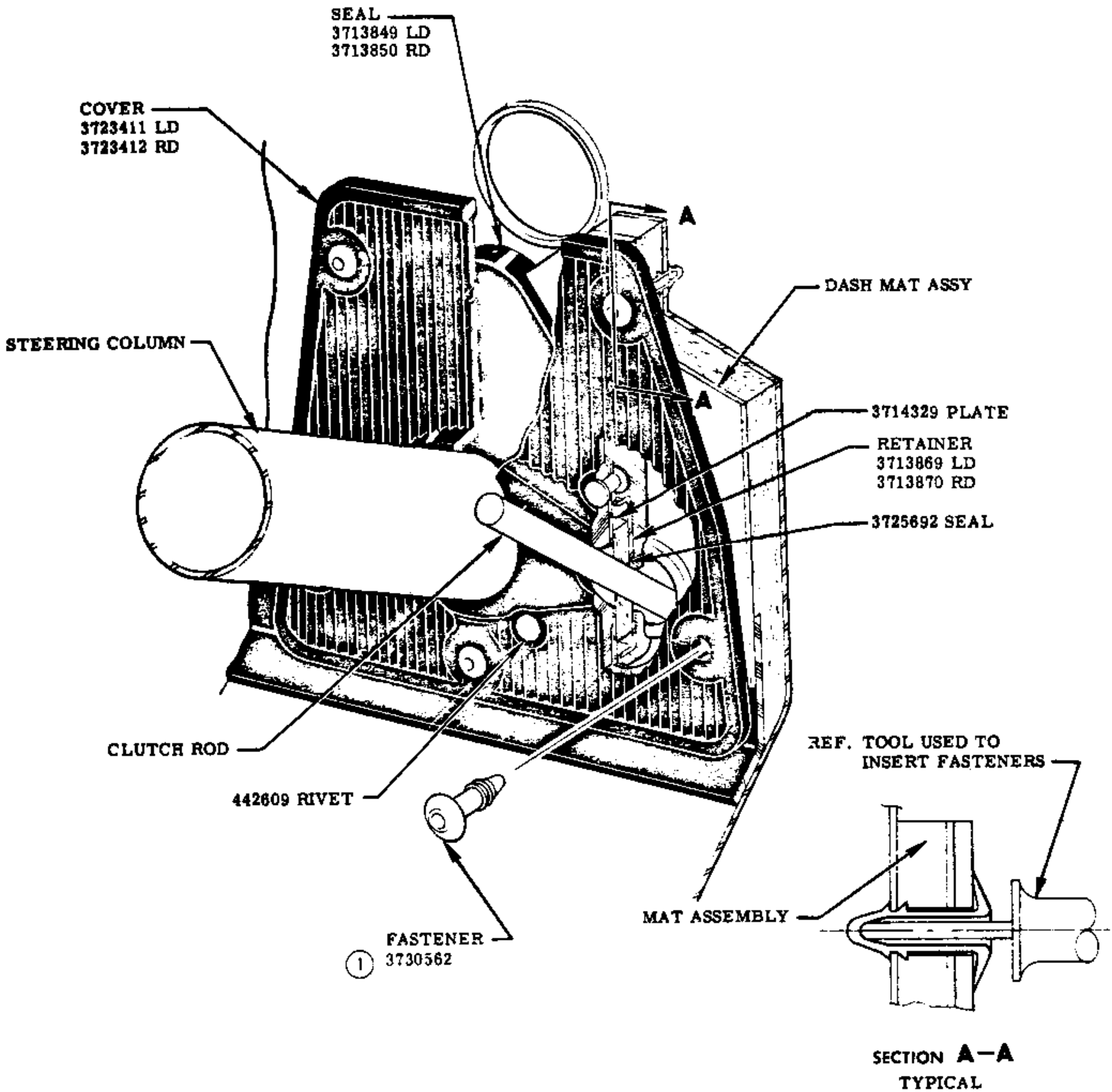
					NAME PASSENGER CAR INSTRUCTION MANUAL				
					REF.	DRAWN	CHECKED F	SECT.	SHEET
11	WAS 760845			F					
2-15-56	10	REDRAWN	6189		DATE	PART No.	9	4.00	
DATE	SYM.	REVISION RECORD	AUTH.	DR.	CK.	7-25-55	3726600		



MODELS
ALL

STEERING GEAR CLAMP INSTRUCTION

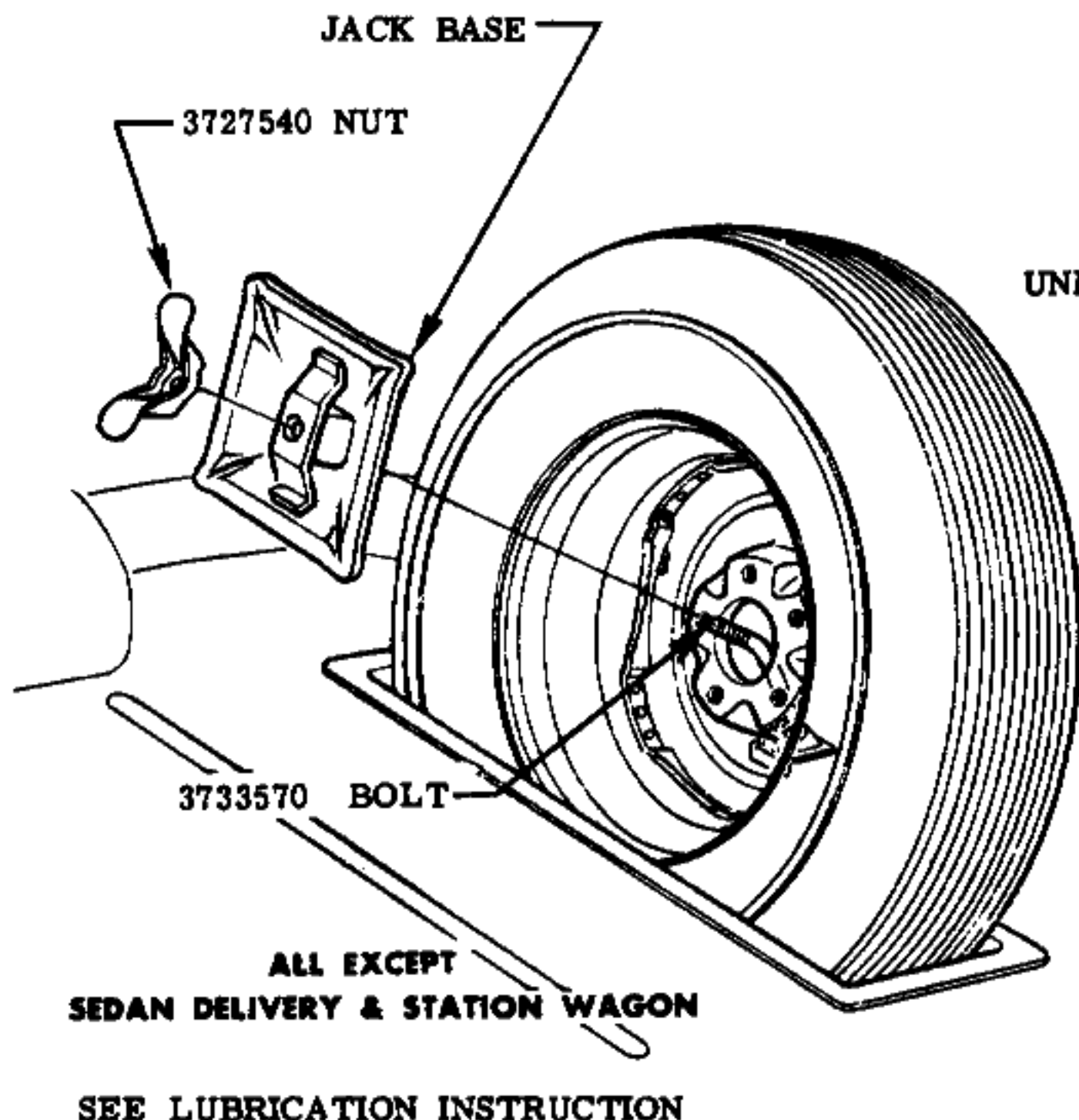
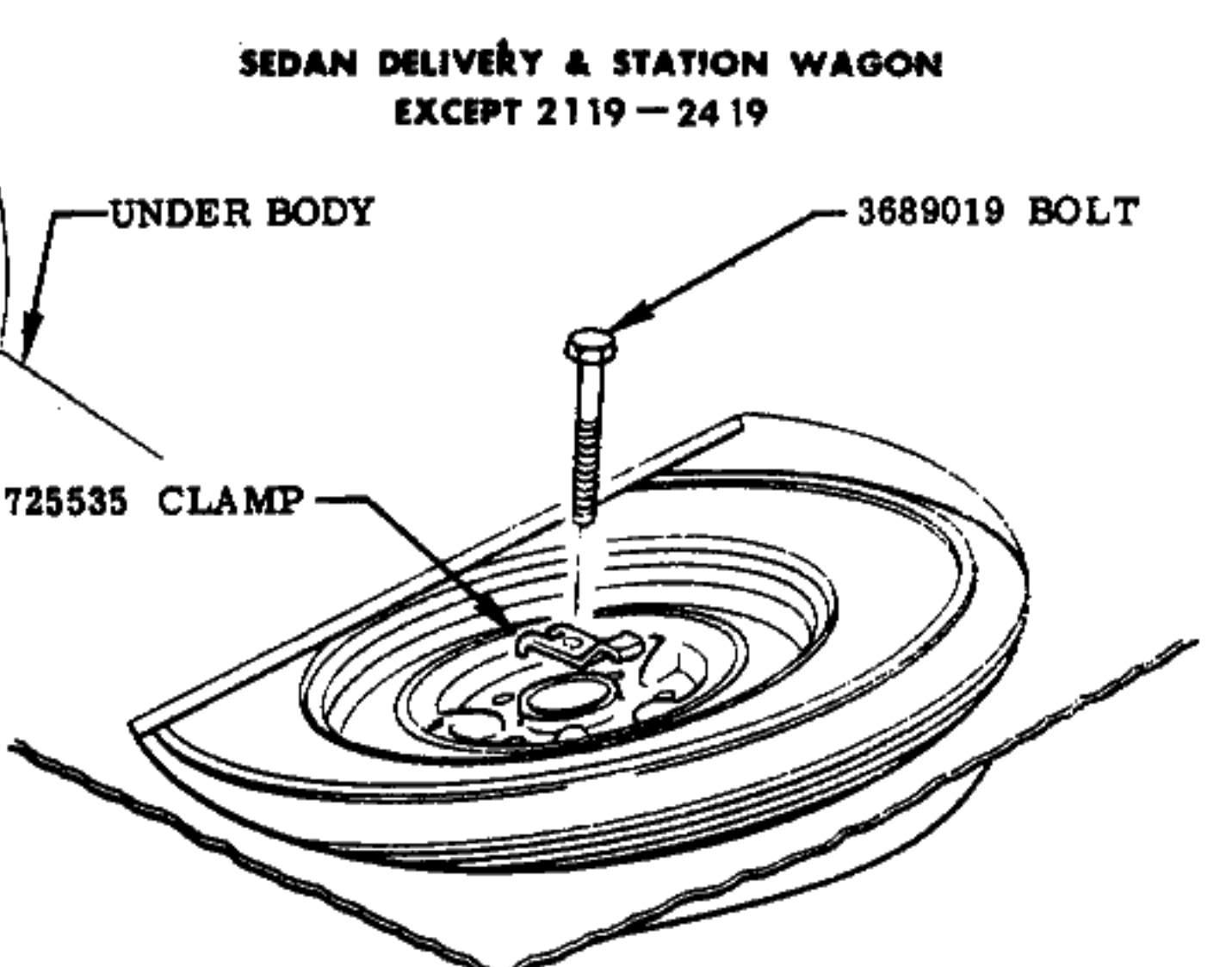
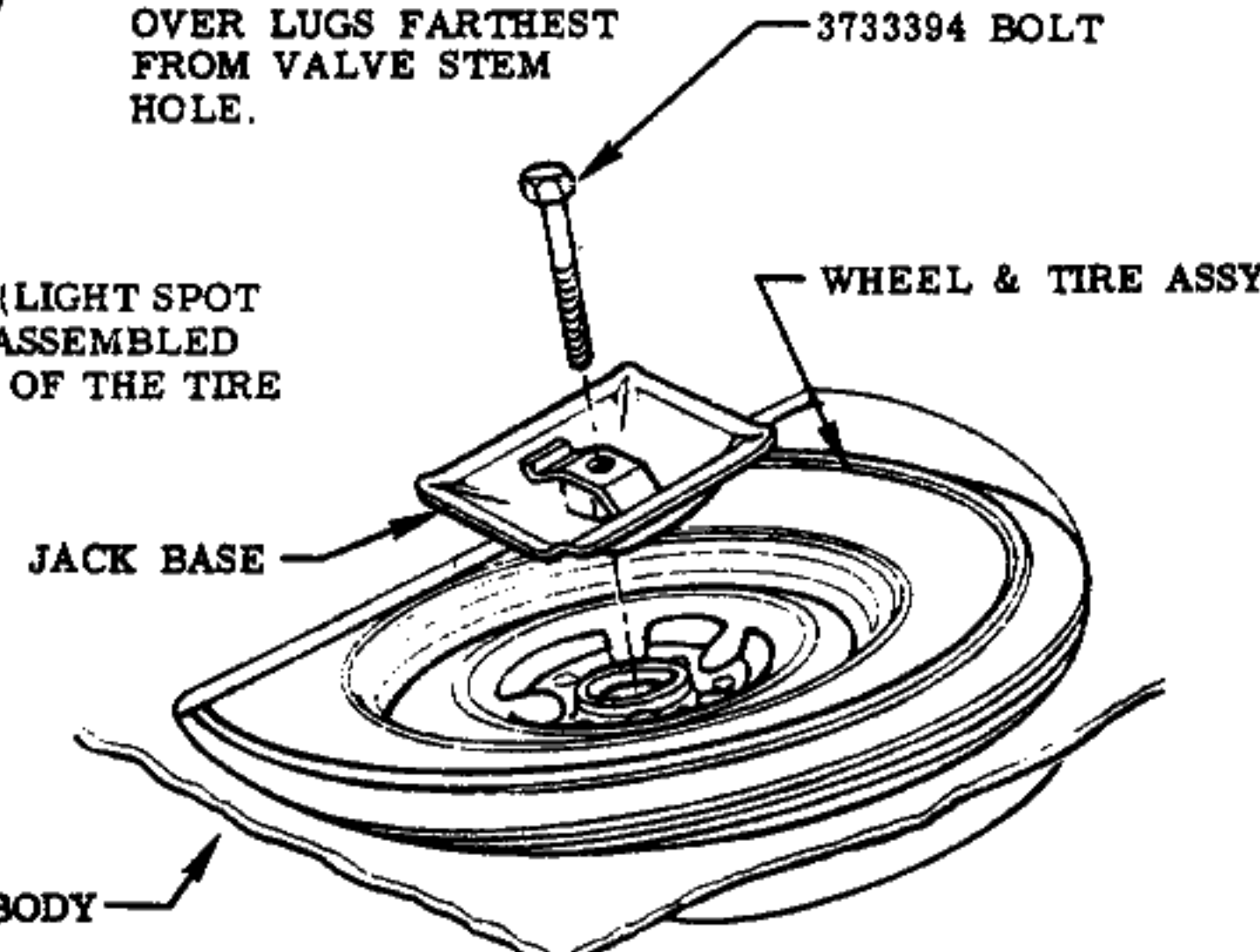
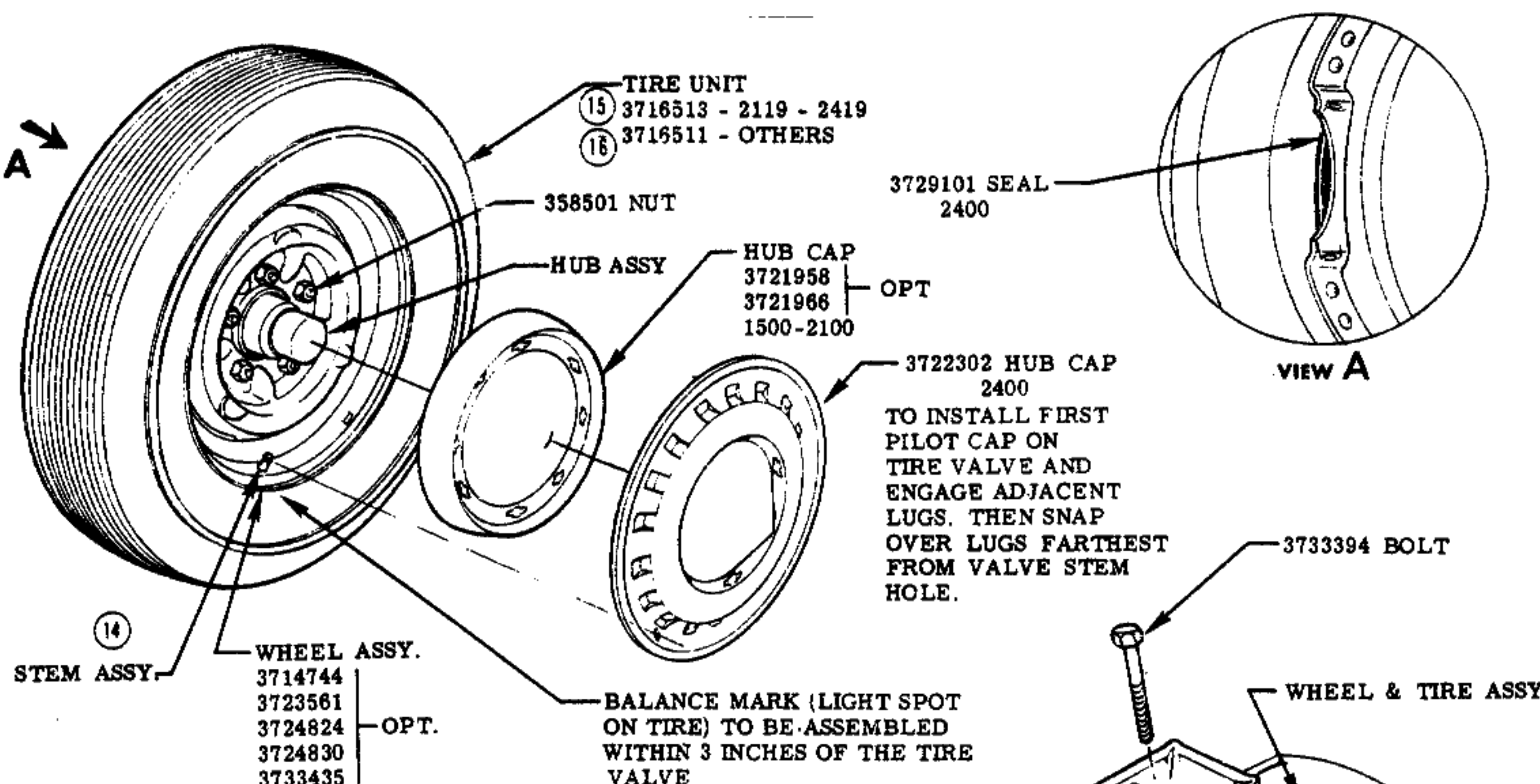
					NAME PASSENGER CAR INSTRUCTION MANUAL				
					REF.	DRAWN	CHECKED	SECT.	SHEET
7-23-56	2	WAS 3695284	9381	F			F	9	5.00
3-6-56	1	WAS 3710665	2092	F	DATE	PART No.			
DATE	SYM.	REVISION RECORD	AUTH.	DR.	CK.	7-25-55	3726600		



MODELS
ALL

**STEERING COLUMN & CLUTCH ROD
DASH SEAL INSTRUCTION**

						NAME	PASSENGER CAR INSTRUCTION MANUAL				
						REF.	DRAWN	CHECKED	F	SECT.	SHEET
11-1-55	J	WAS 3726785	4235		F	DATE	PART No.			9	6.00
DATE	SYM.	REVISION RECORD	AUTH.	DR.	CK.	7-25-55	3726600				

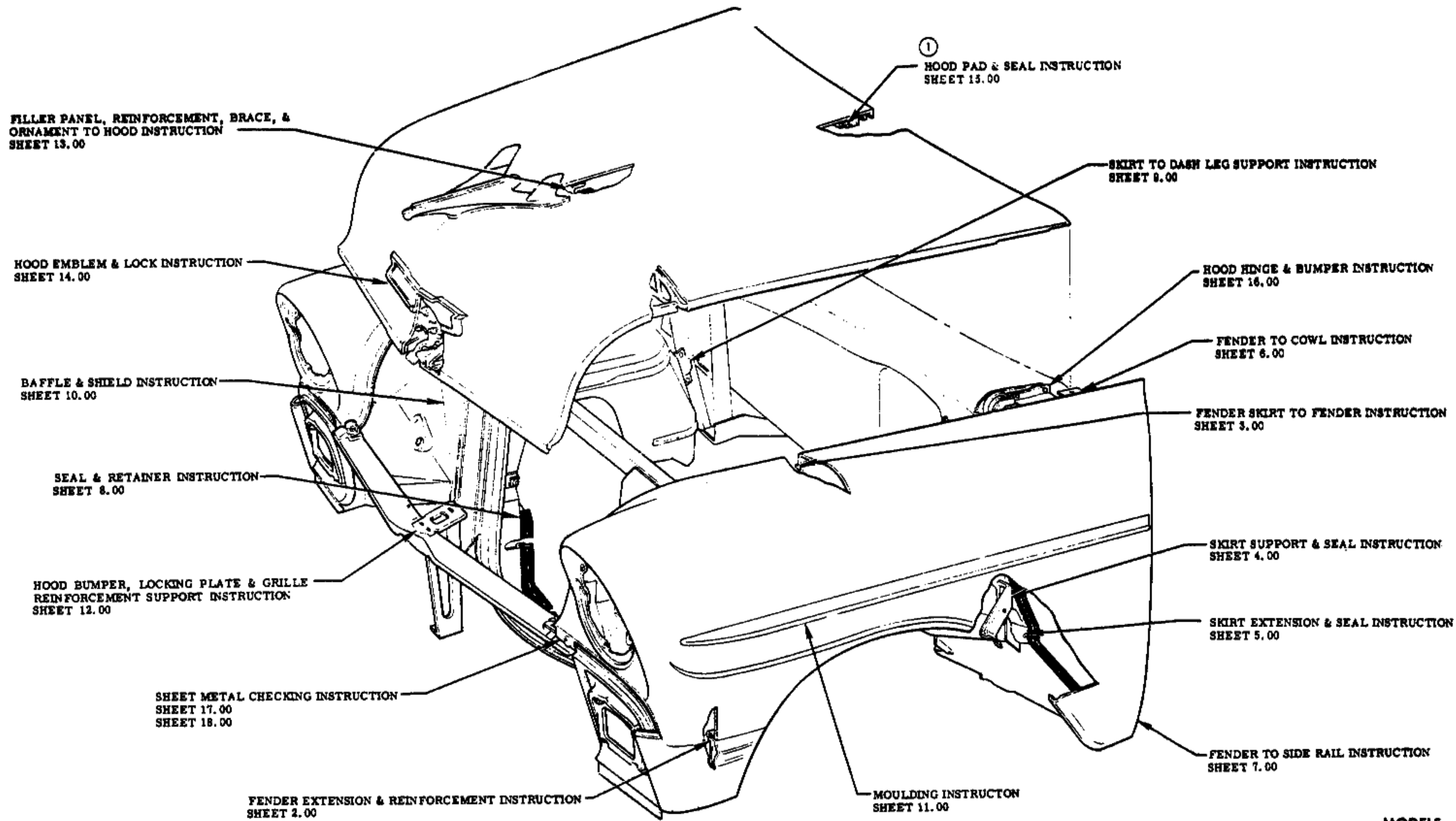


(17) ALL TIRES OF SAME SIZE AND PLY RATING FURNISHED WITH ANY VEHICLE SHALL BE OF SAME MAKE.

WHEEL & TIRES INSTRUCTION

2119 - 2419 MODELS ALL

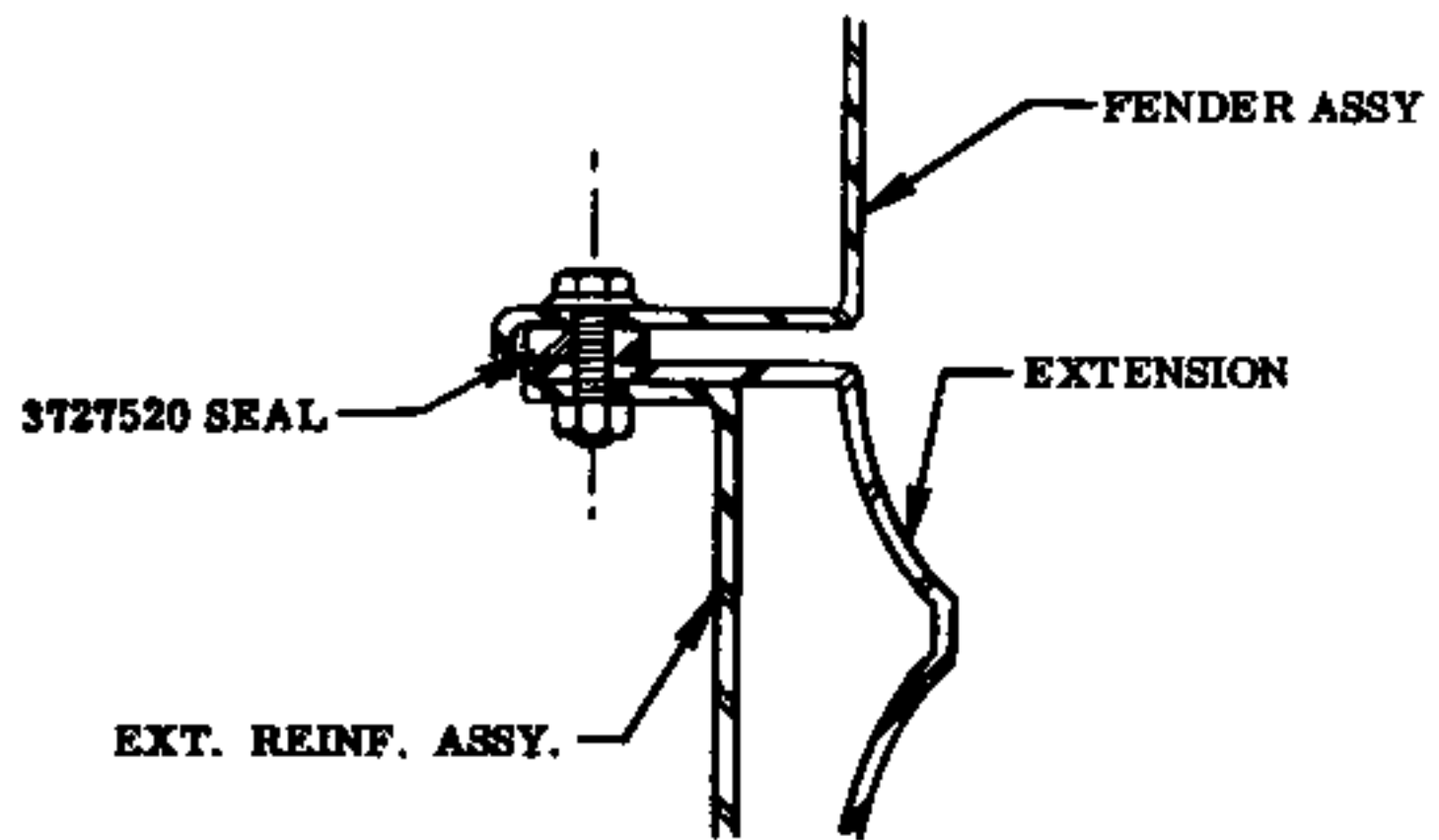
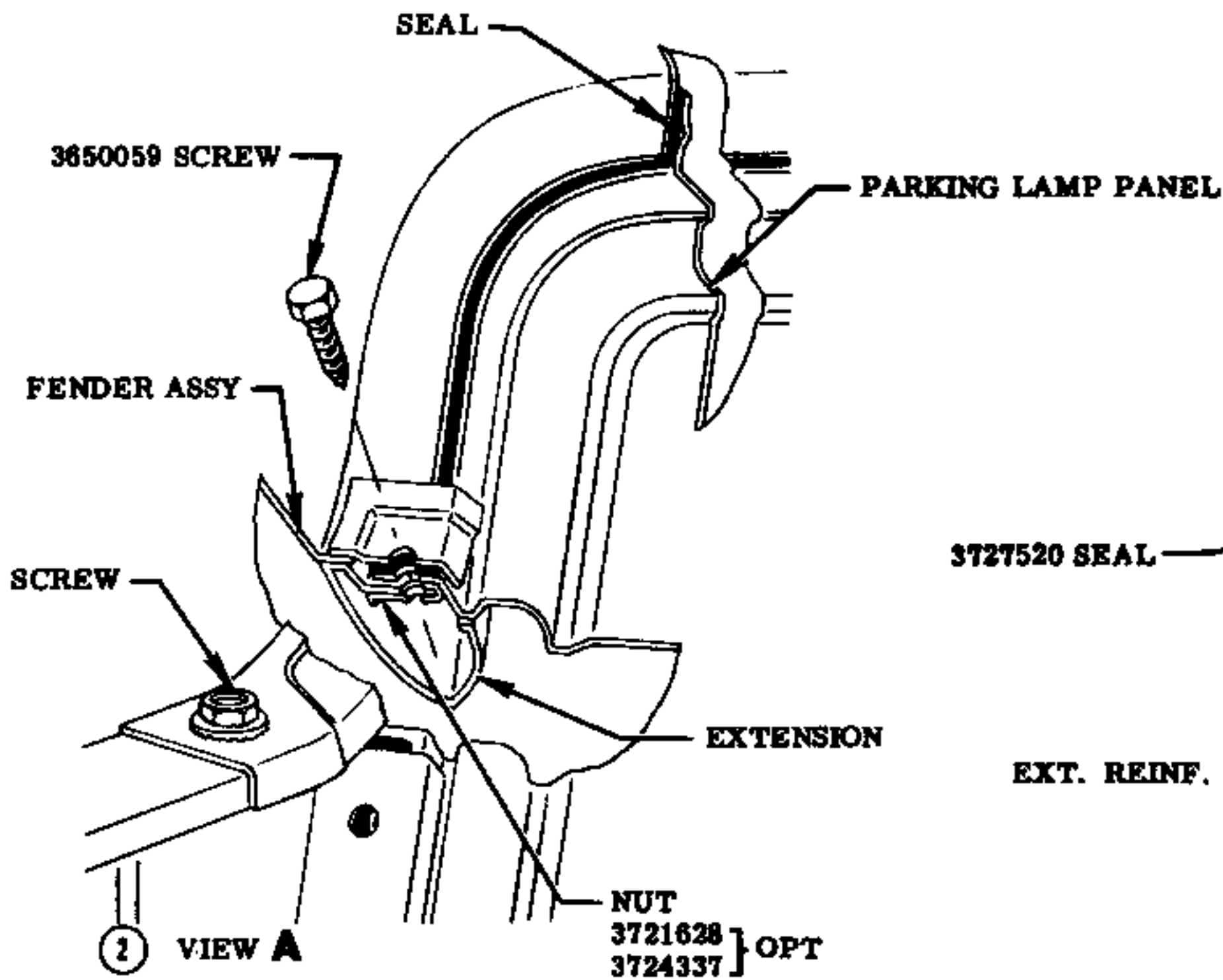
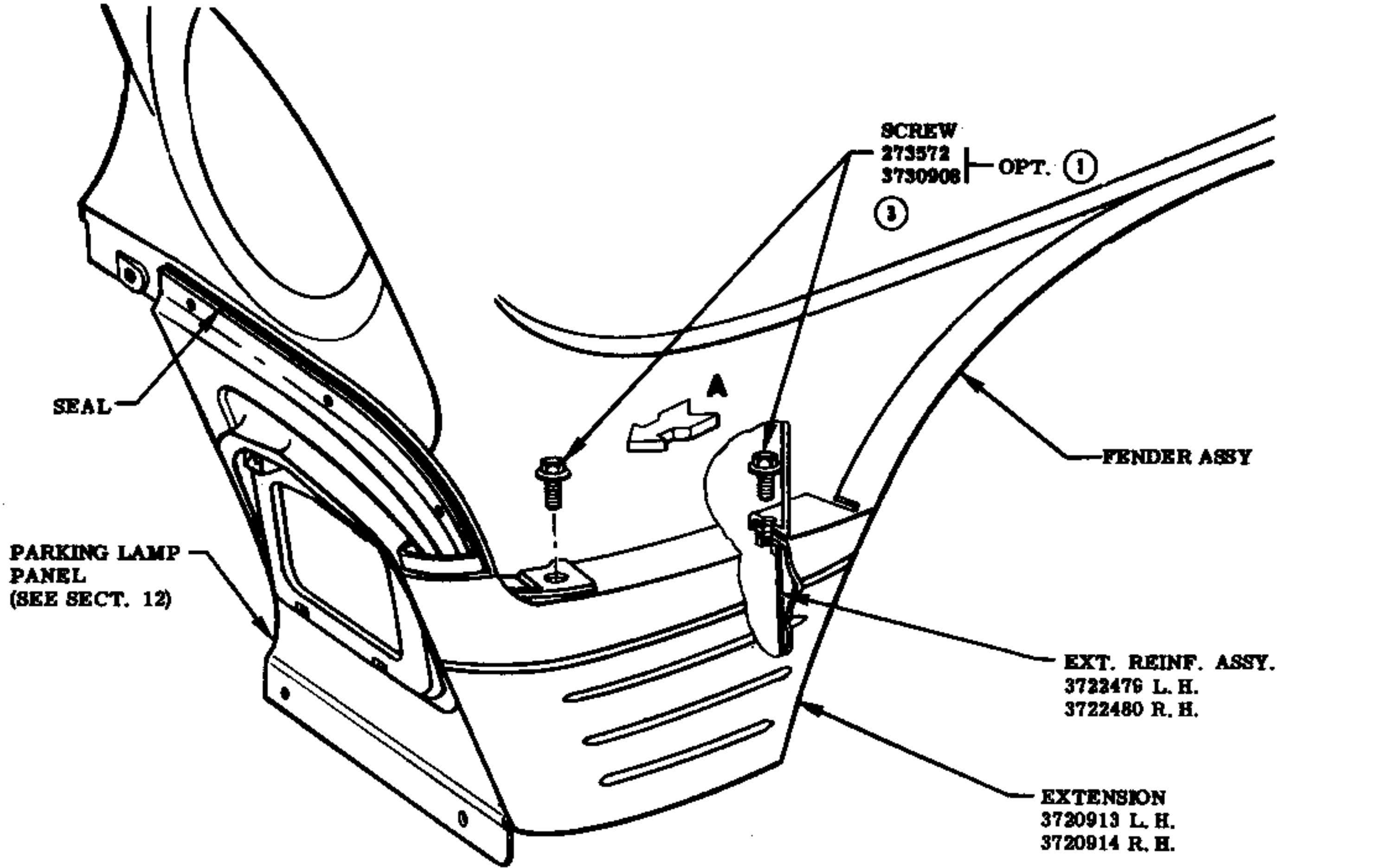
	17	NOTE ADDED		V	NAME PASSENGER CAR INSTRUCTION MANUAL				
	16	WAS 3718512 TIRE CASING			REF.	DRAWN	CHECKED	SECT.	SHEET
	15	WAS 3716514 TIRE CASING					F		
	14	NO. 273232 REMOVED			DATE	PART No.		10	1.00
5-1-58	13	REDRAWN	6990		7-25-55	3726600			
DATE	SYM.	REVISION RECORD	AUTH.	DR.	CK.				



MODELS
ALL

FRONT END SHEET METAL INSTRUCTION

					NAME PASSENGER CAR INSTRUCTION MANUAL				
		REF.	DRAWN	CHECKED	F	SECT.	SHEET		
		DATE	PART No.	11			1.00		
9-20-55	1	NOTE REVISED	3016		7-25-55	3726600			
DATE	SYM.	REVISION RECORD	AUTH.	DR.	CK.				

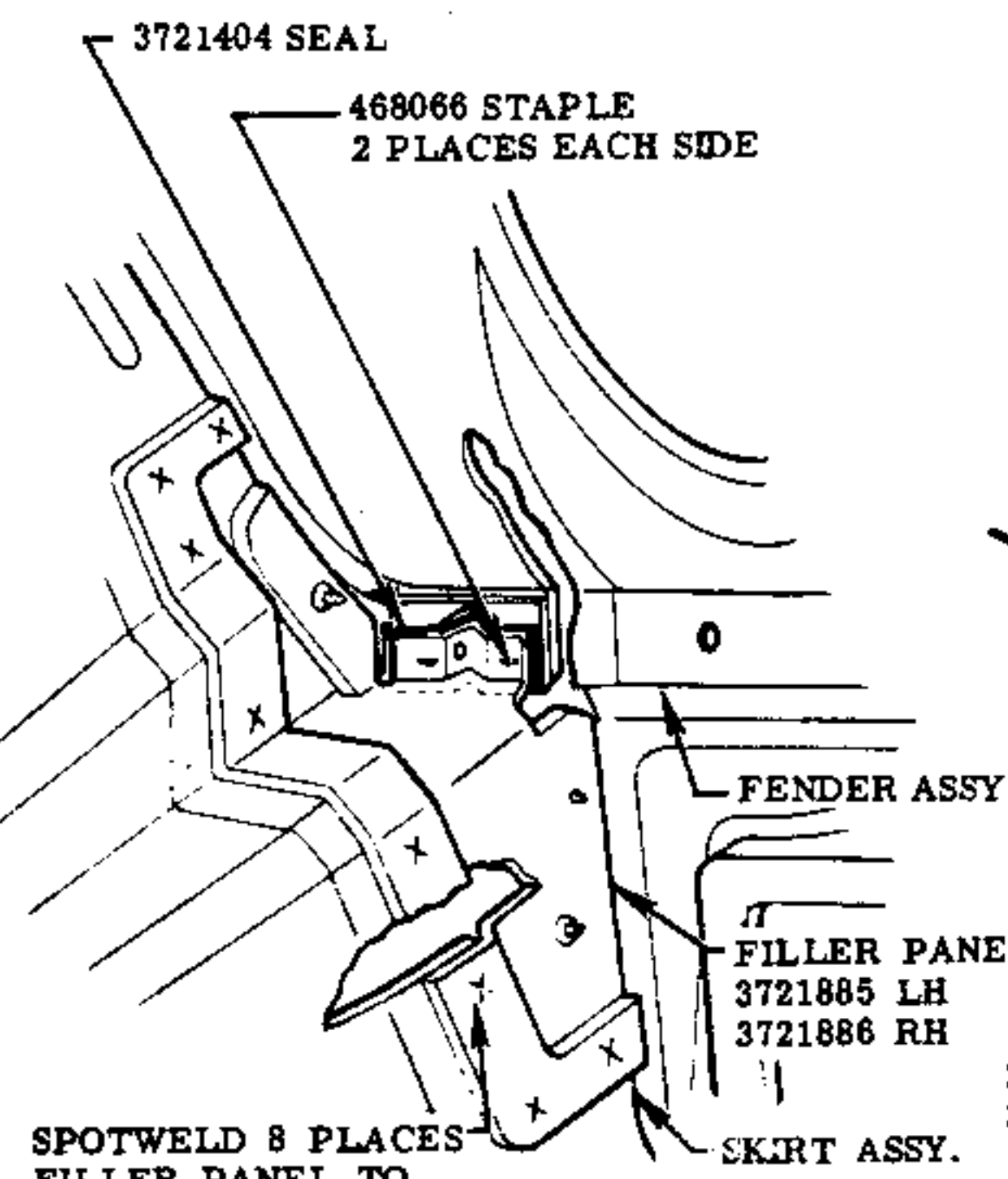
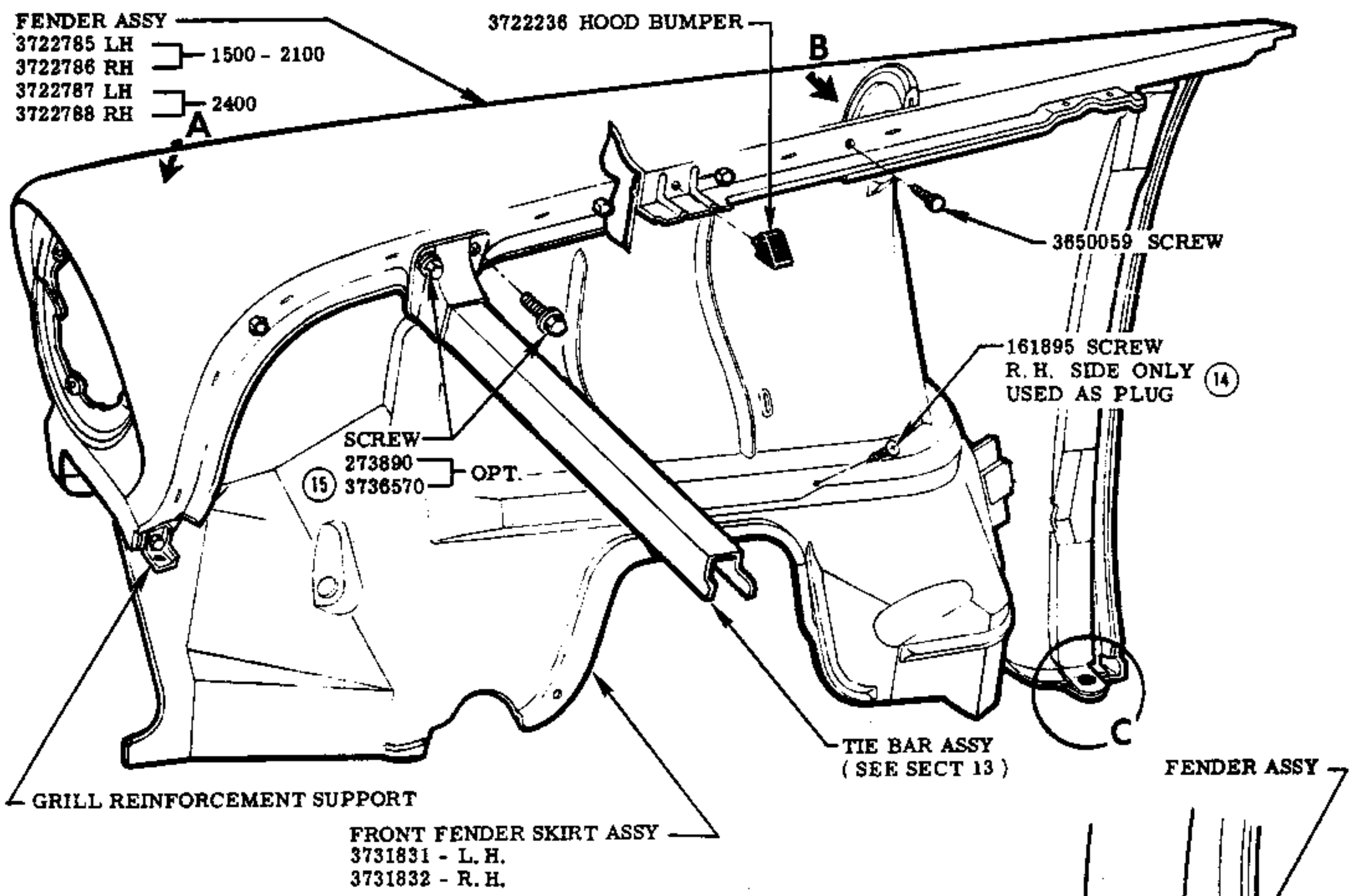


TYPICAL SECTION
(THRU FENDER & EXTENSION)

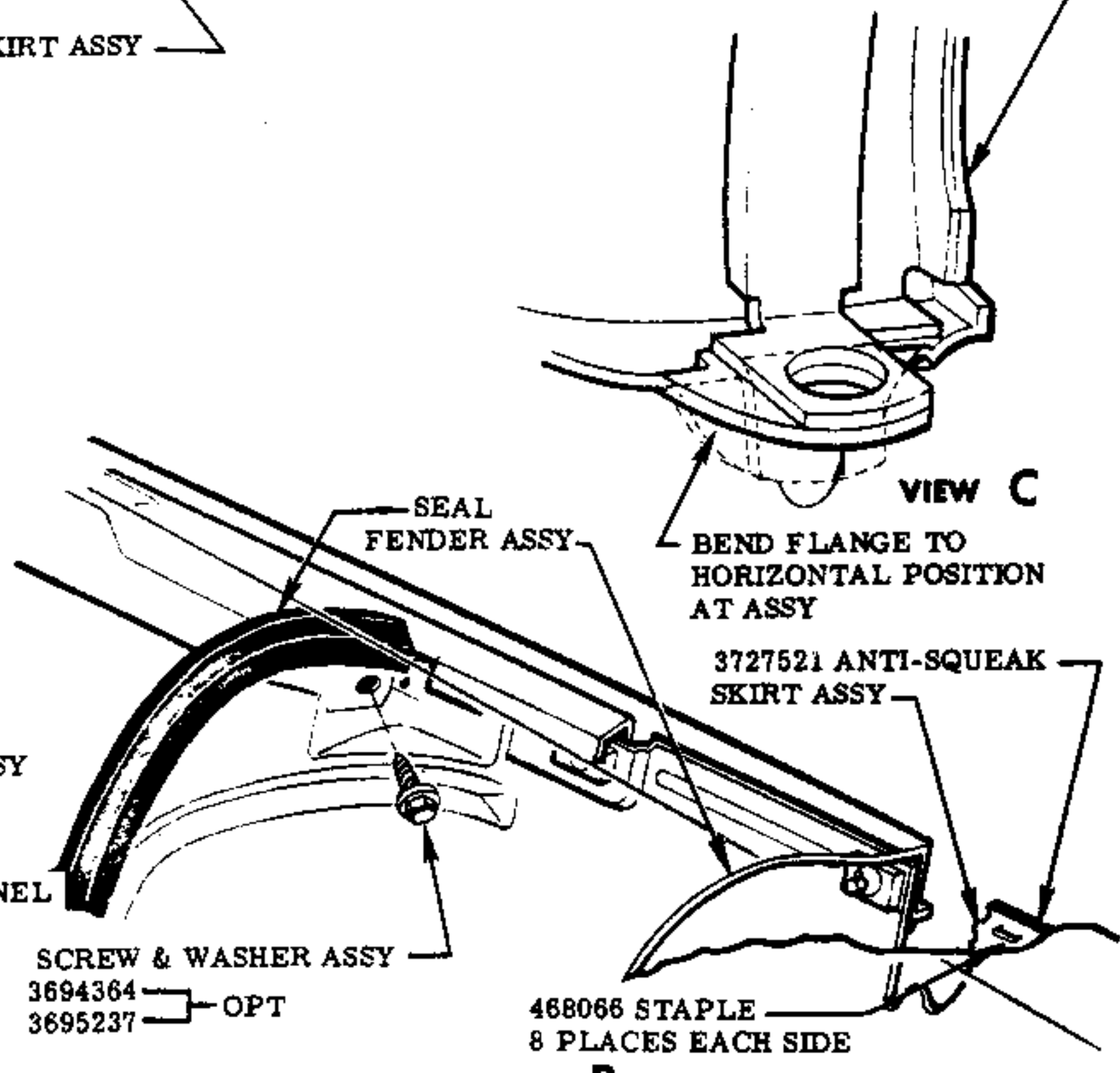
MODELS
ALL

FENDER EXTENSION & REINF. INSTRUCTION

REVISION RECORD					PASSENGER CAR INSTRUCTION MANUAL				
DATE	SYM.	REVISION RECORD	AUTH.	DR.	CK.	DATE	PART No.	SECT.	SHEET
6-4-56	3	3730908 OPT. ADDED	4530		F	7-25-55	3726600	11	2.00
	2	VIEW REVISED			F				
11-14-55	1	WAS 3710926	3090						



VIEW A

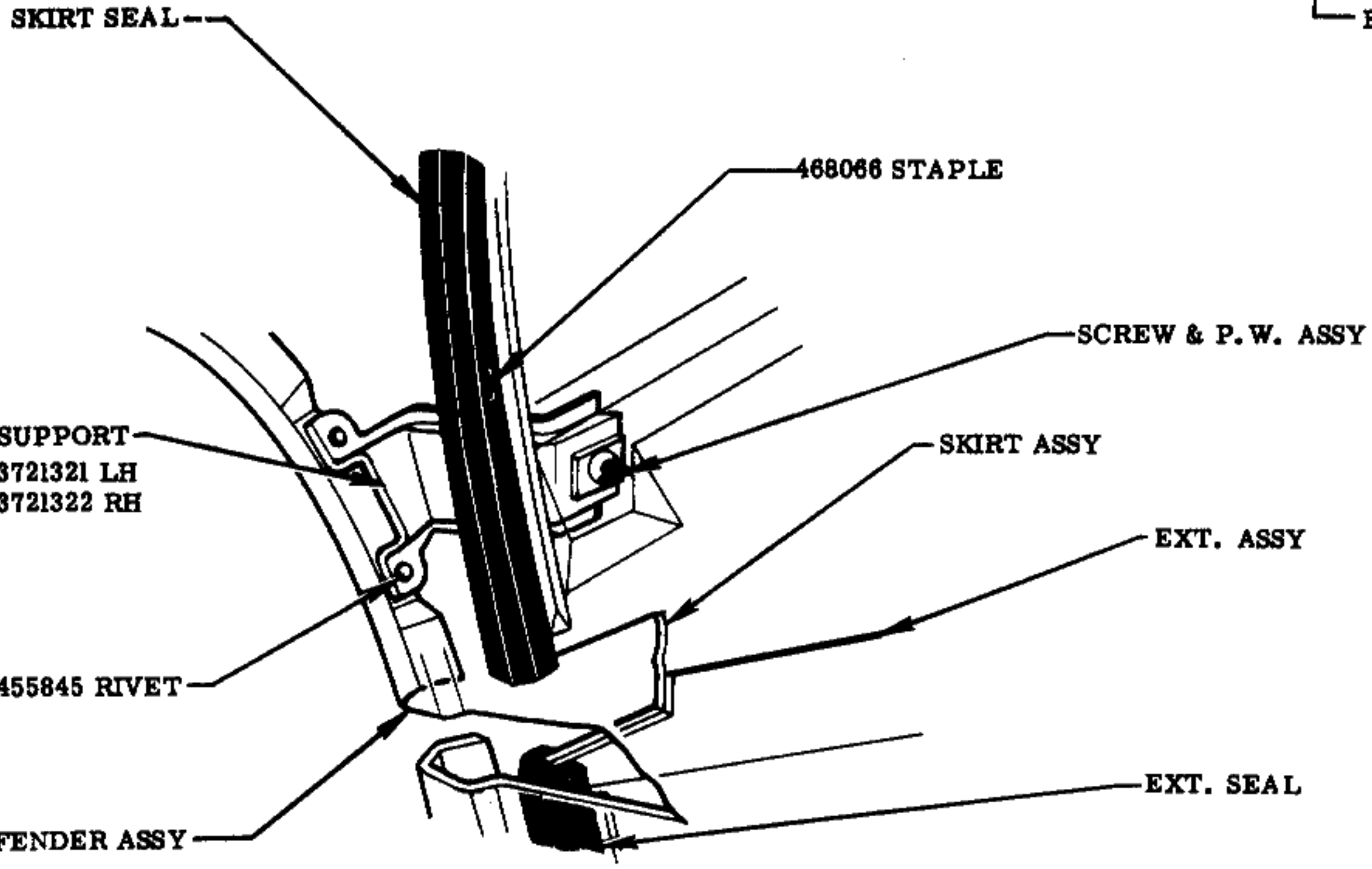
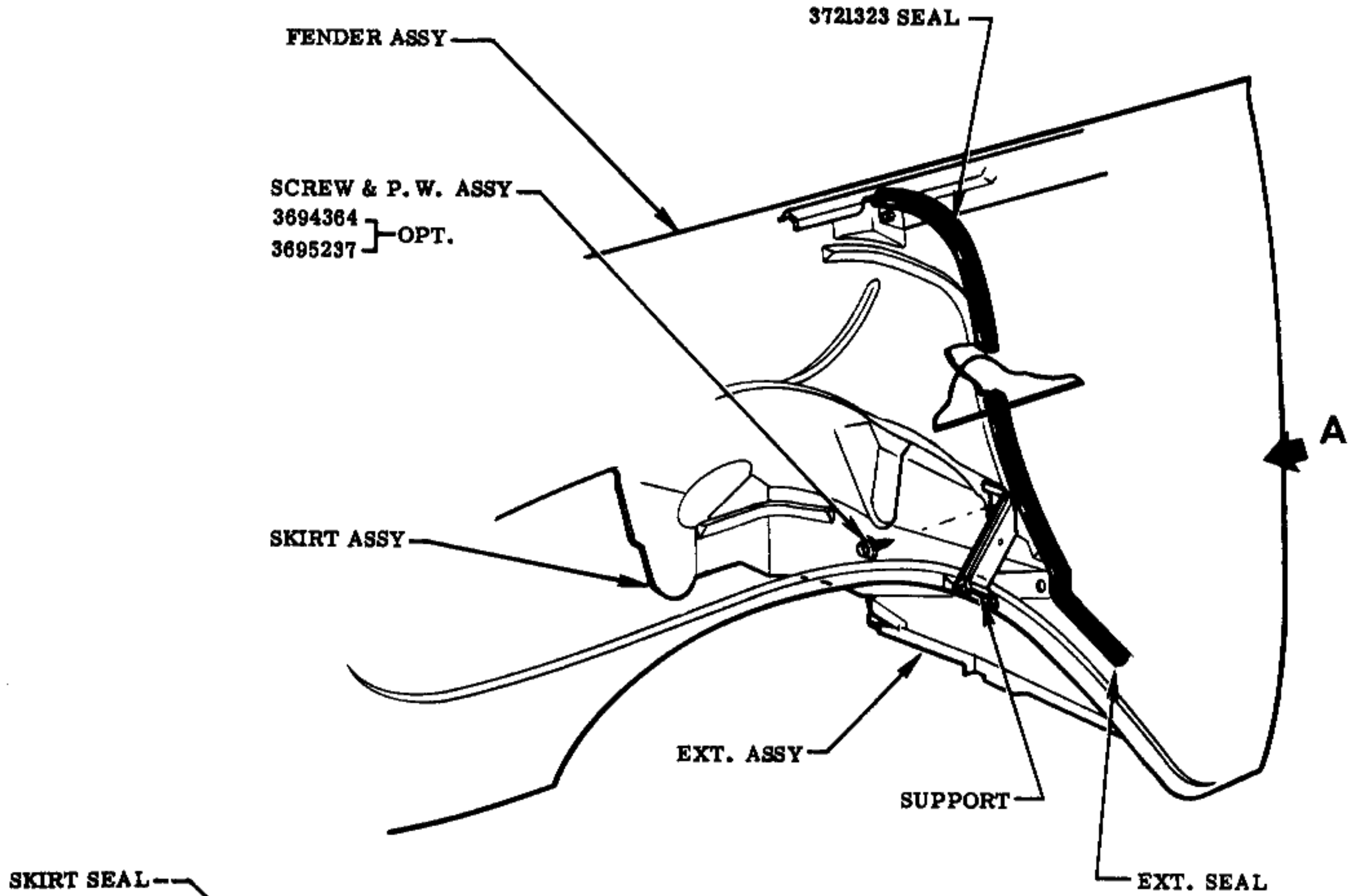


VIEW B

MODELS ALL

FENDER SKIRT TO FENDER INSTRUCTION

PASSENGER CAR INSTRUCTION MANUAL										
DATE	SYM	REVISION RECORD	AUTH.	DR.	CK.	NAME	PART No.	CHECKED	SECT.	SHEET
4-23-56	15	WAS 273573 & 3730909	8466		F	REF.			F	
	14	NOTE ADDED			F					
2-15-56	13	REDRAWN	6007			DATE			11	3.00
						7-25-55	3726600			

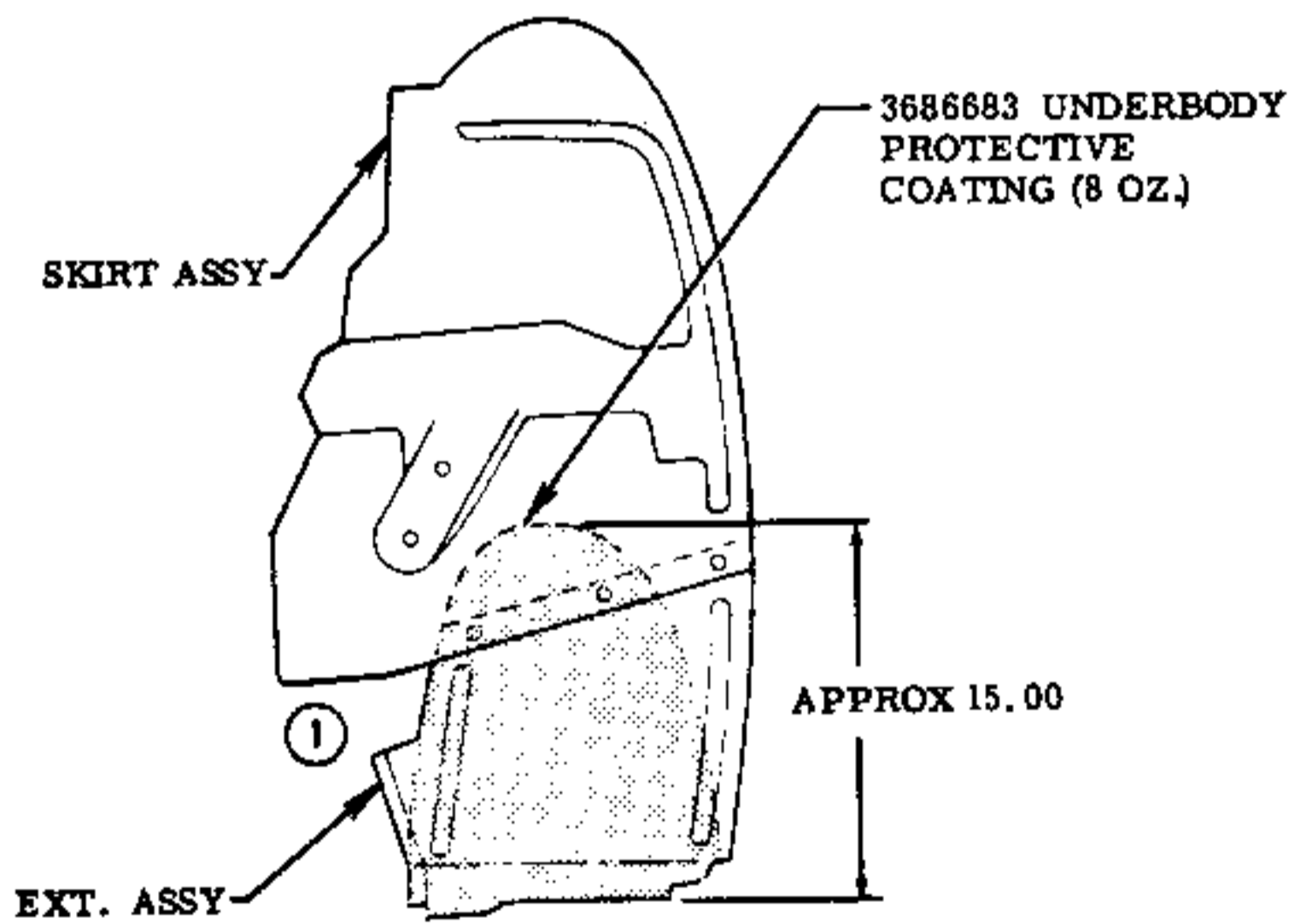
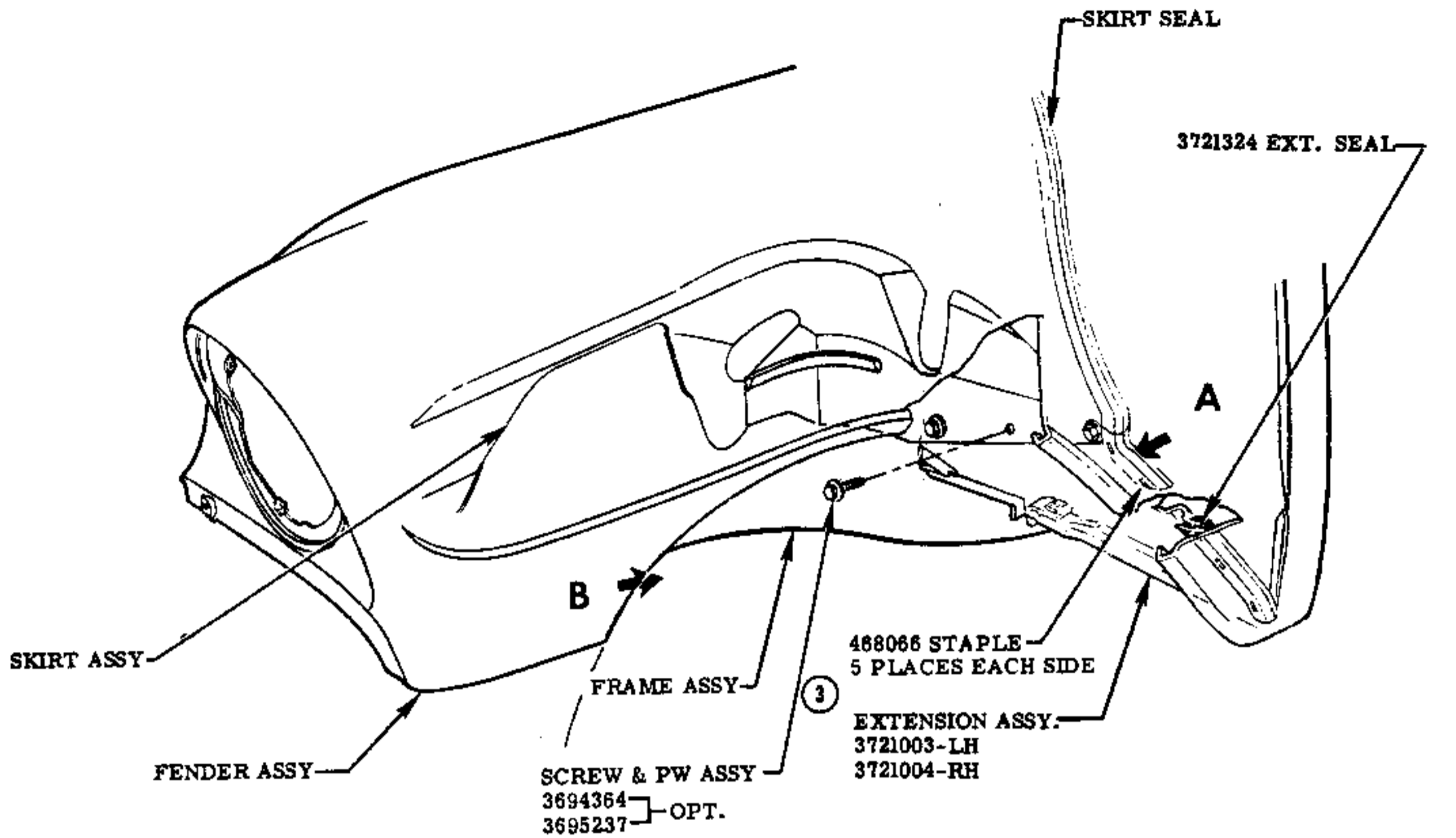


VIEW A

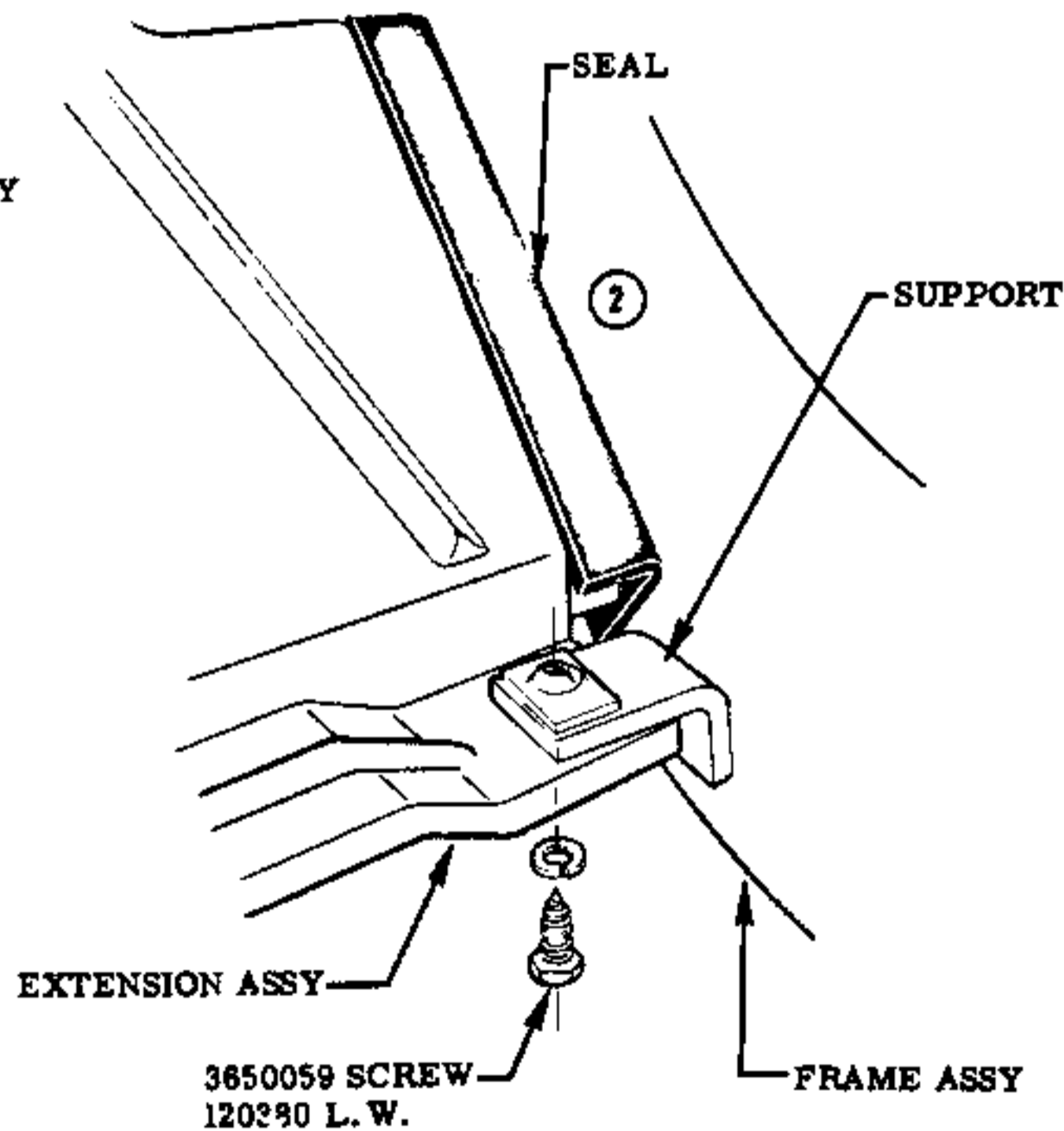
MODELS
ALL

SKIRT SUPPORT & SEAL INSTRUCTION

						NAME PASSENGER CAR INSTRUCTION MANUAL				
						REF.	DRAWN	CHECKED F	SECT.	SHEET
						DATE 7-25-55	PART No. 3726600		11	4.00
DATE	SYM.	REVISION RECORD	AUTH.	DR.	CK.					



VIEW B

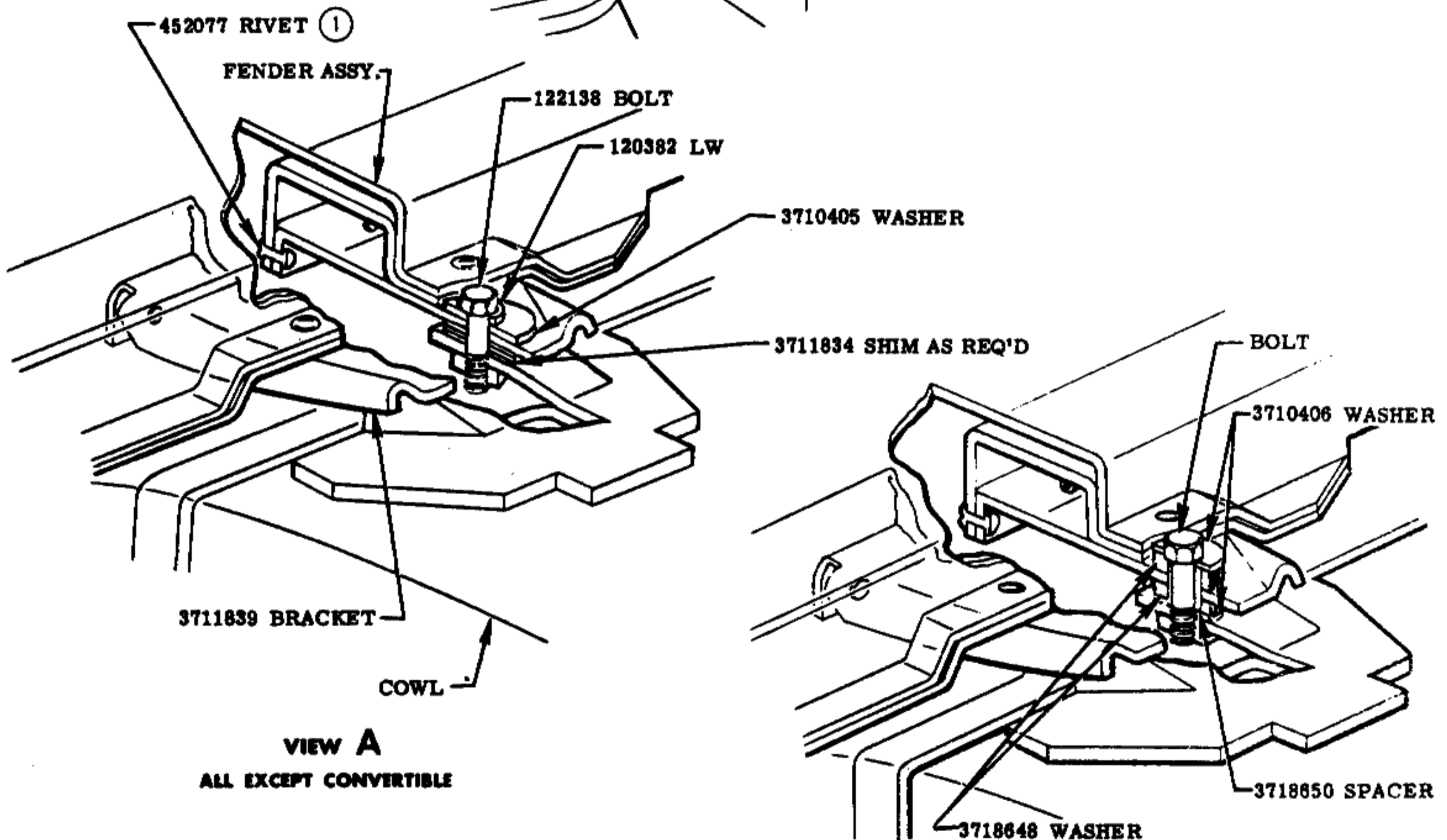
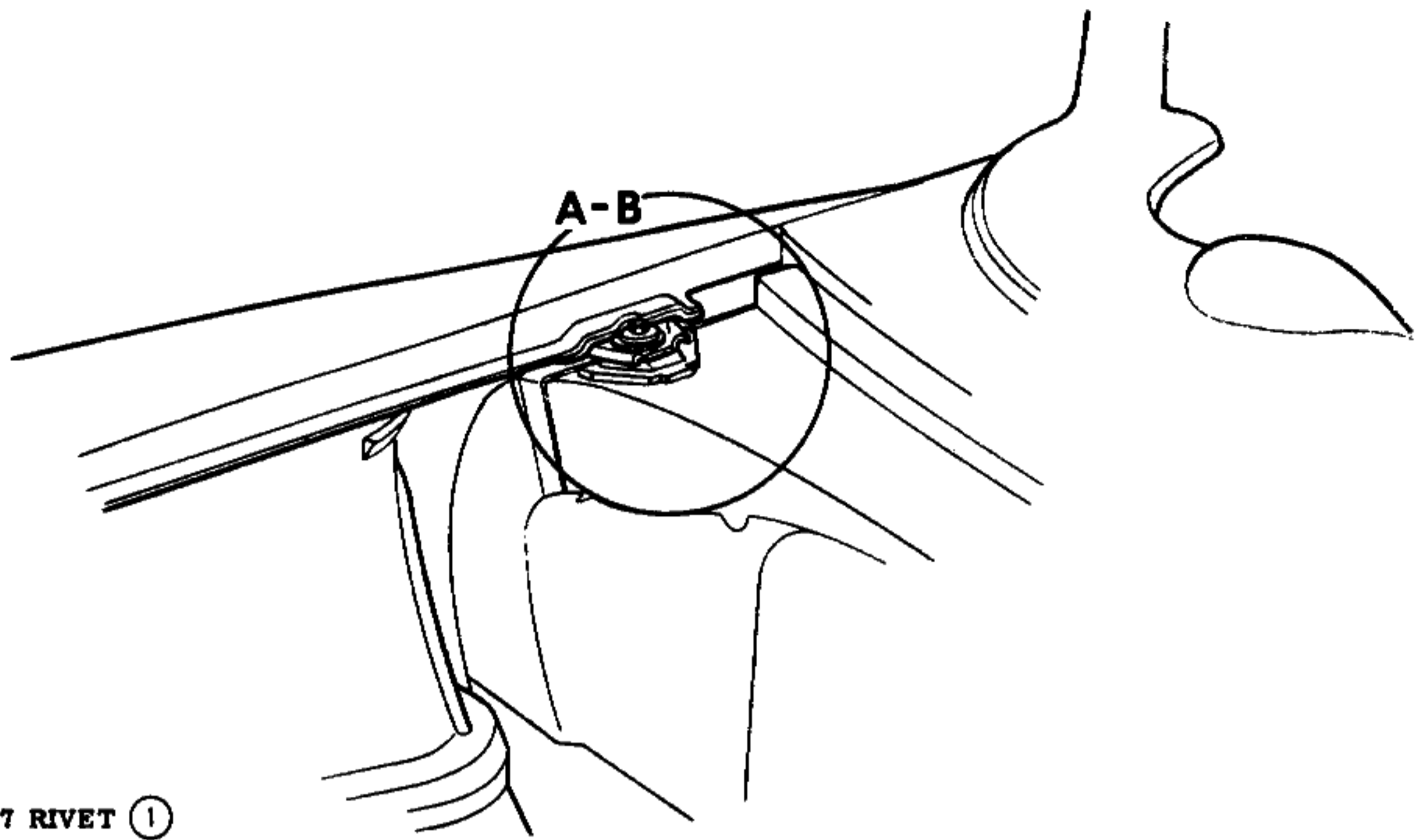


VIEW A

MODELS
ALL

SKIRT EXTENSION & SEAL INSTRUCTION

					NAME PASSENGER CAR INSTRUCTION MANUAL				
					REF.	DRAWN	CHECKED	SECT.	SHEET
								F	11
10-10-55	1	VIEW REVISED	4066		DATE	7-25-55	PART No.	3728600	5.00
DATE	SYM.	REVISION RECORD	AUTH.	DR.	CK.				



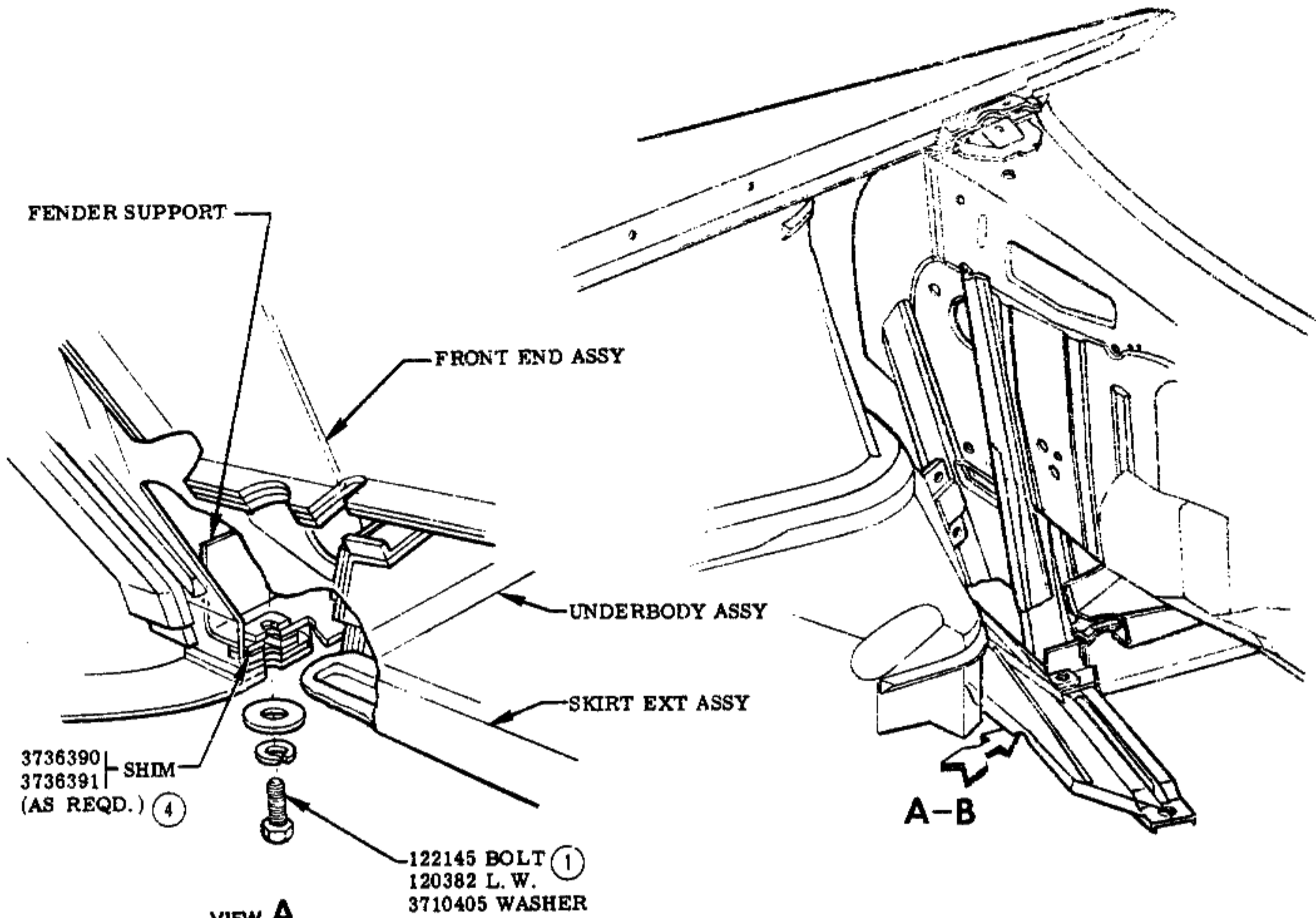
VIEW A
ALL EXCEPT CONVERTIBLE

VIEW B
CONVERTIBLE

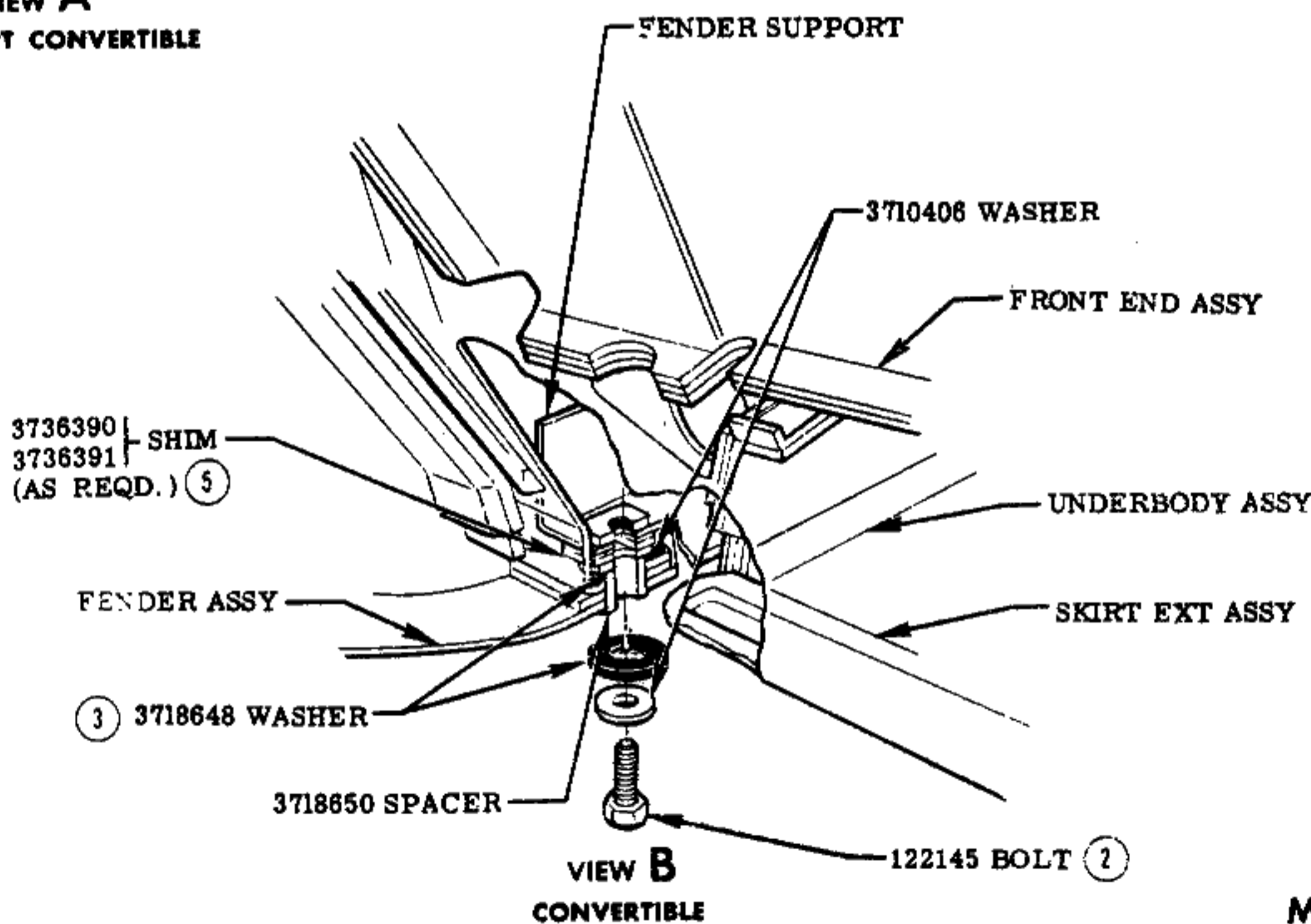
MODELS
ALL

FENDER TO COWL INSTRUCTION

					NAME	PASSENGER CAR INSTRUCTION MANUAL				
					REF.	DRAWN	CHECKED	F	SECT.	SHEET
2-15-56	1	WAS 455625	6674	F	DATE	PART No.			11	6.00
DATE	SYM.	REVISION RECORD	AUTH.	DR.	CK.	7-25-55	3726600			



VIEW A
ALL EXCEPT CONVERTIBLE

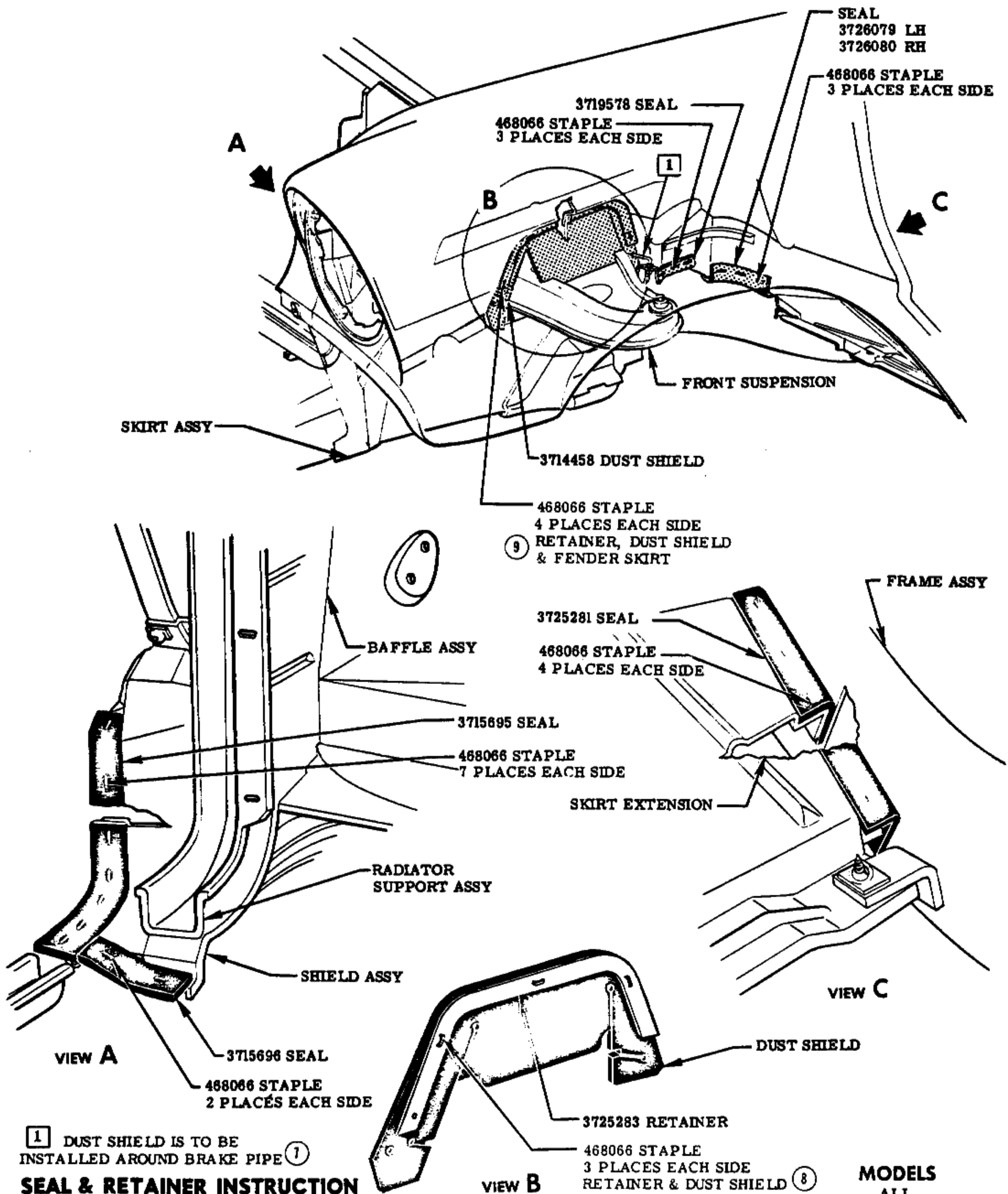


VIEW B
CONVERTIBLE

MODELS
ALL

FENDER TO SIDE RAIL INSTRUCTION

	5	WAS 3711834 (AS REQD.)		F	NAME PASSENGER CAR INSTRUCTION MANUAL					
3-12-56	4	WAS 3711834 (2 MIN. . 6 MAX.)	8233		REF.	DRAWN	CHECKED	F	SECT.	SHEET
	3	WAS ONE ARROW		F					11	7.00
	2	WAS 122138								
11-21-55	1	WAS 120233	5048		DATE	PART No.				
					7-25-55	3726600				
DATE	SYM.	REVISION RECORD	AUTH.	DR.	CK.					

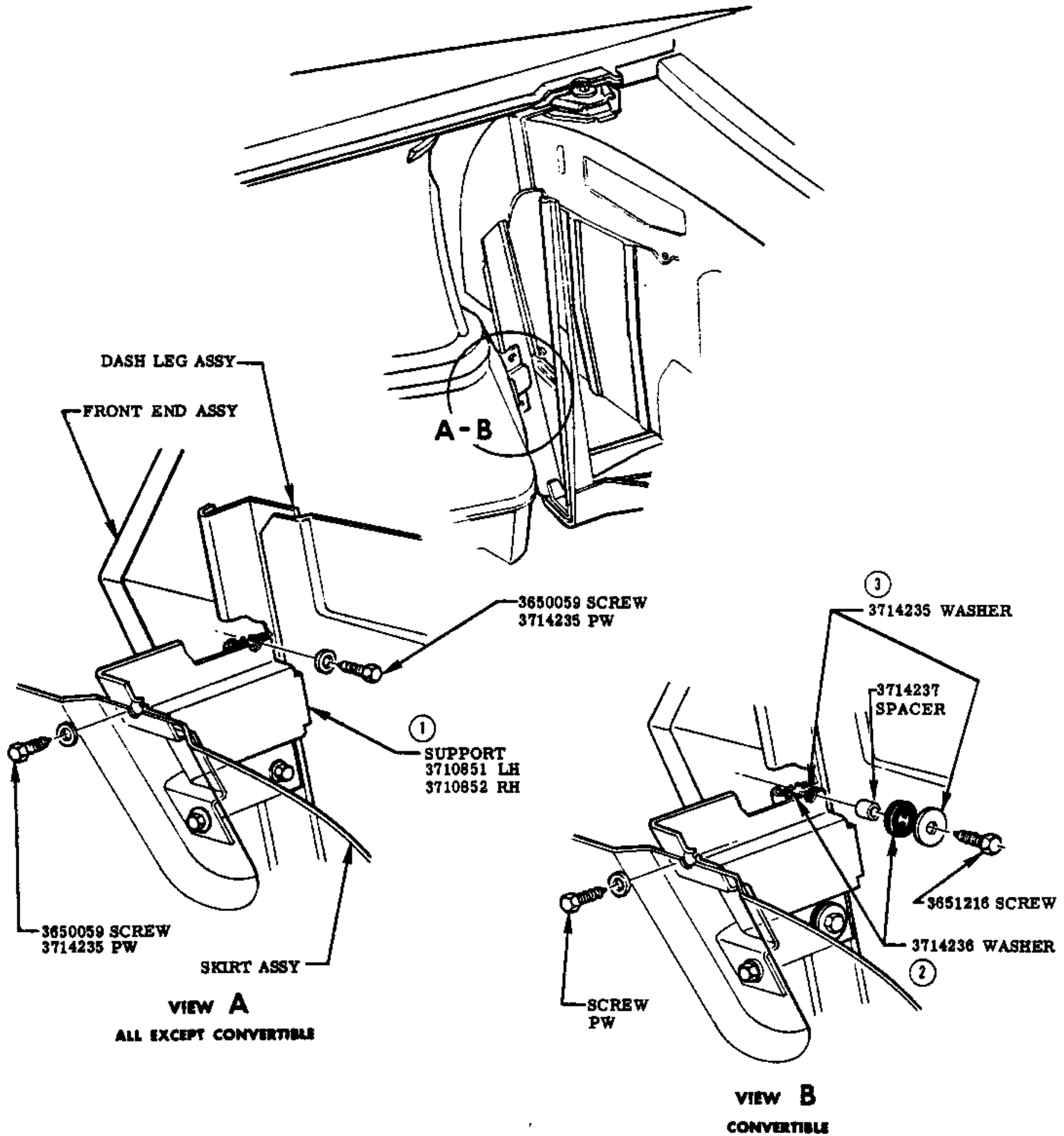


SEAL & RETAINER INSTRUCTION

MODELS
ALL

9	"RETAINER, DUST SHIELD & FENDER SKIRT" ADDED				F
8	"RETAINER & DUST SHIELD" ADDED				
7	NOTE ADDED				
1-16-56	6 REDRAWN	6415			
DATE	SYM.	REVISION RECORD	AUTH.	DR.	CK.

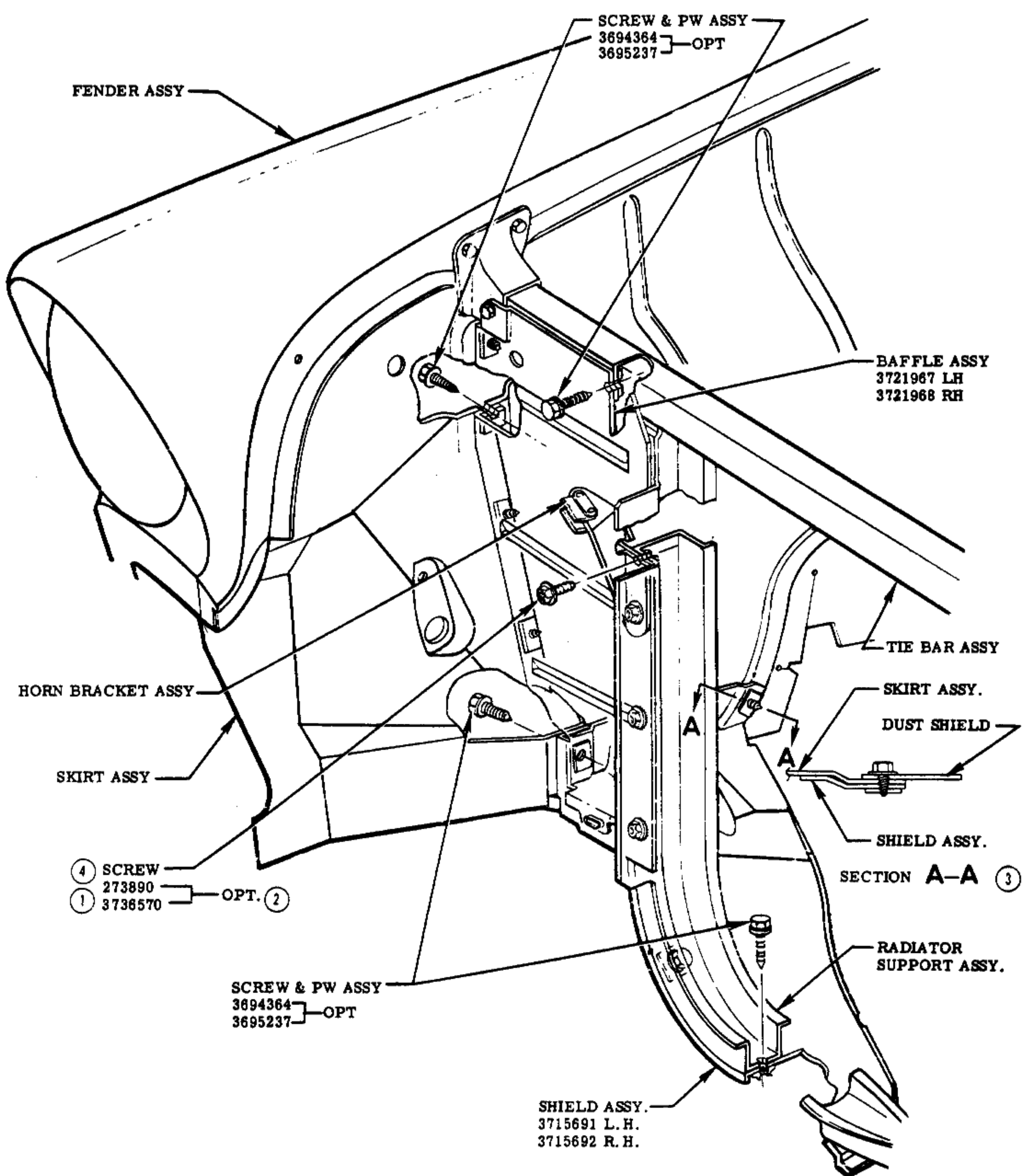
NAME PASSENGER CAR INSTRUCTION MANUAL				
REF.	DRAWN	CHECKED F	SECT.	SHEET
DATE 7-25-55	PART No. 3726600		11	8.00



MODELS
ALL

**SKIRT TO DASH LEG
SUPPORT INSTRUCTION**

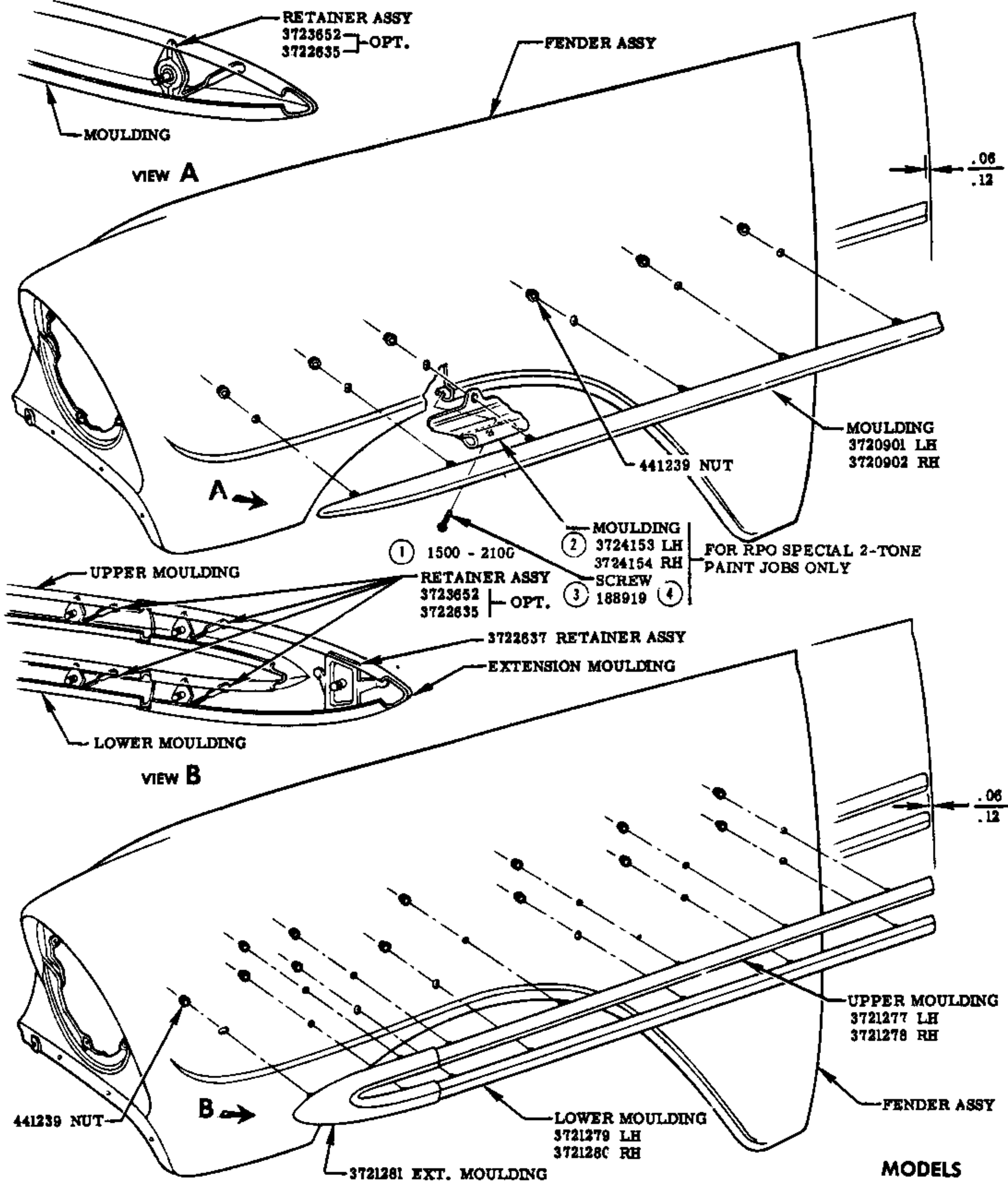
					NAME PASSENGER CAR INSTRUCTION MANUAL						
3-20-56	3	NO. WAS 3714236 IN ERROR	---	F	REF.	DRAWN	CHECKED	F	SECT.	SHEET	
	3	WAS 3714235	---	F					11	9.00	
10-17-55	1	WAS 3721321-2	---		DATE	PART No.					
DATE	SYM.	REVISION RECORD	AUTH.	DR.	CK.	7-25-55	3728800				



MODELS
ALL

BAFFLE & SHIELD INSTRUCTION

DATE	SYM.	REVISION RECORD	AUTH.	DR.	CK.	NAME	DRAWN	CHECKED	SECT.	SHEET
4-23-56	4	WAS 273573 & 3730909	8466		F	PASSENGER CAR INSTRUCTION MANUAL		F	11	10.00
2-15-56	3	SECTION ADDED	7221	V	F					
11-7-55	2	3730909 OPT ADDED	4530		F					
10-26-55	1	WAS 3710926	3090		F					
						DATE	PART No.			
						7-25-55	3726600			

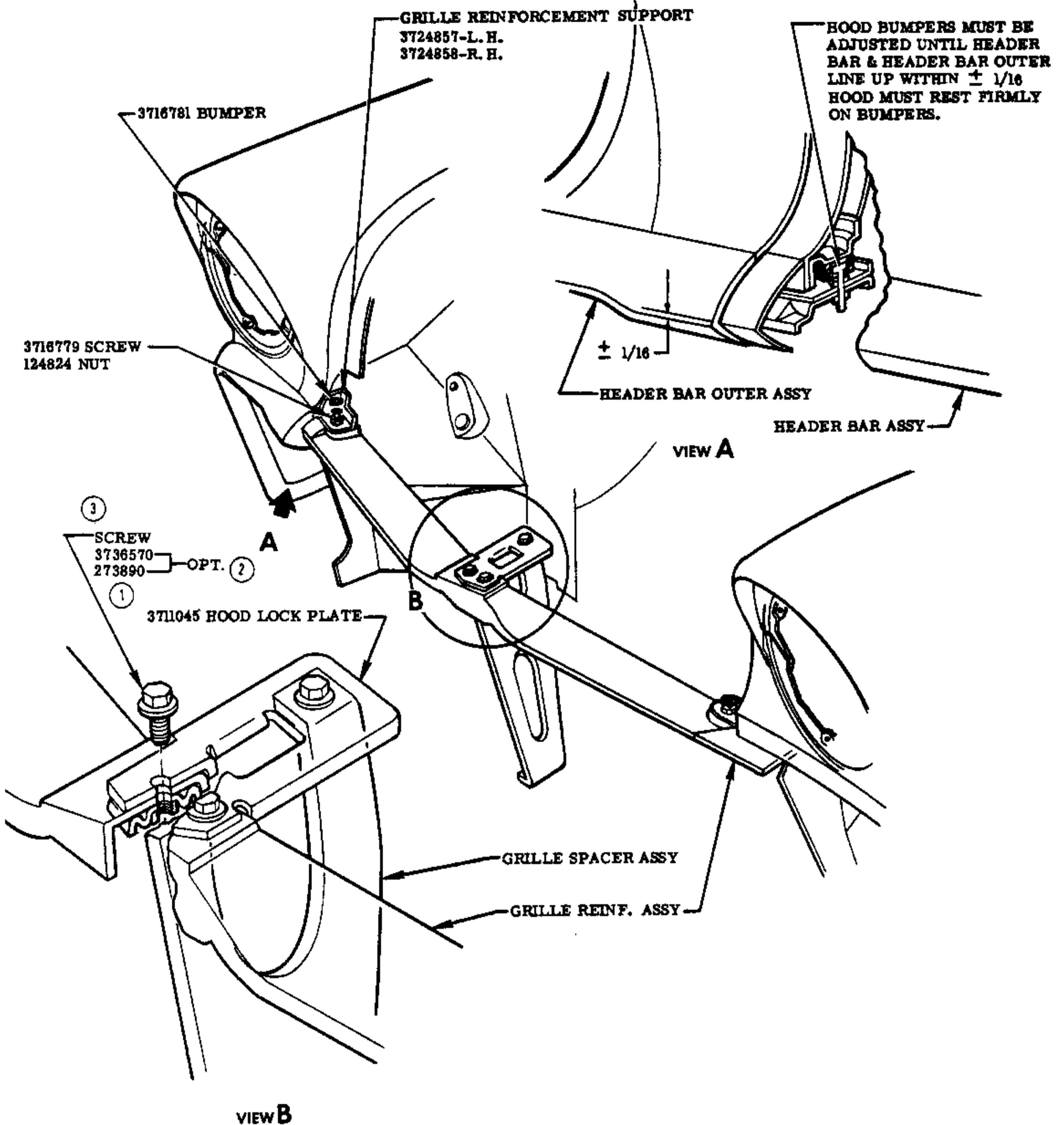


MOULDING INSTRUCTION

2400

MODELS
ALL

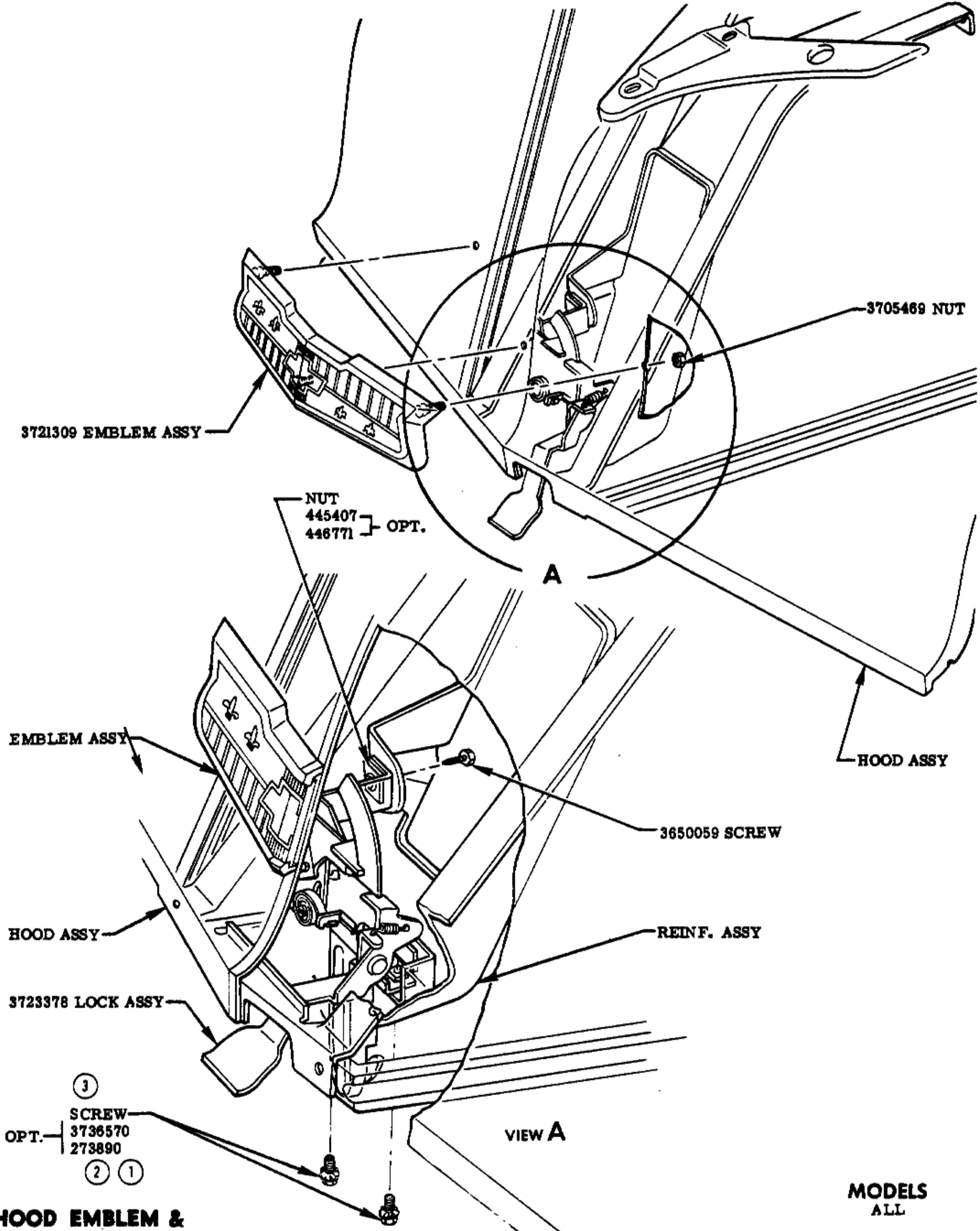
3-20-56	4	188919 SCREW WAS REG. PROD.	6380		F	NAME	PASSENGER CAR INSTRUCTION MANUAL				
1-30-56	3	IN ERROR - NOW RPO.	6304		F	REF.	DRAWN	CHECKED	F	SECT.	SHEET
	2	PARTS ADDED	6380		F					11	11.00
10-10-55	1	1500 SERIES ADDED	3553			DATE	PART No.	3726600			
DATE	SYM.	REVISION RECORD	AUTH.	DR.	CX.	7-25-55					



MODELS
ALL

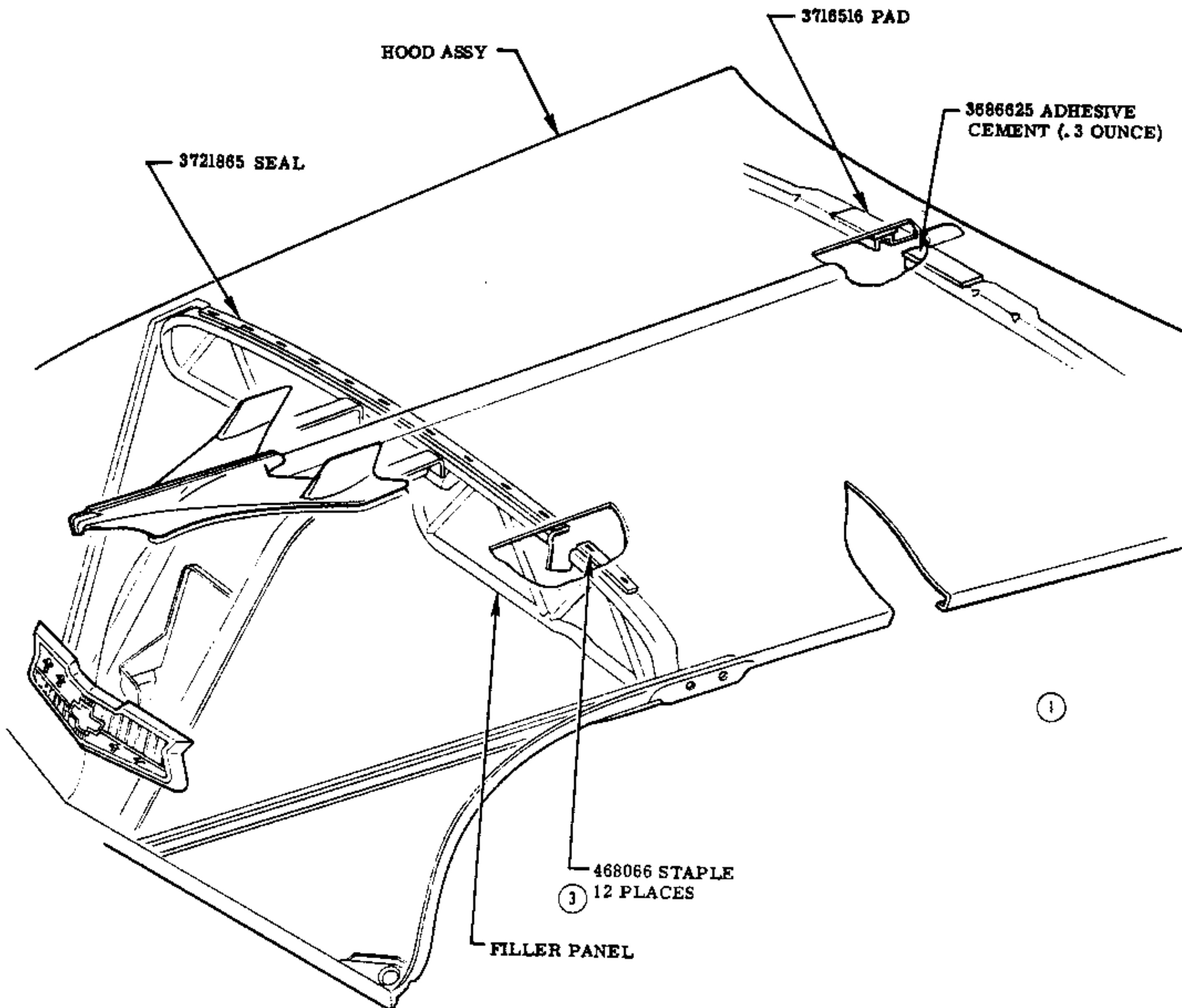
HOOD BUMPER, LOCKING PLATE & GRILL REINF. SUPPORT INSTRUCTION

REVISION RECORD					PASSENGER CAR INSTRUCTION MANUAL					
DATE	SYM.	REVISION RECORD	AUTH.	DR.	CK.	REF.	DRAWN	CHECKED	SECT.	SHEET
4-23-56	3	WAS 3730909 & 273573	8466		F					
11-7-55	2	3730909 OPT ADDED	4530		F			F		
10-10-55	1	WAS 3710926	3090		F	DATE 7-25-55	PART No. 3726600		11	12.00



HOOD EMBLEM & LOCK INSTRUCTION

					NAME PASSENGER CAR INSTRUCTION MANUAL					
DATE	SYM.	REVISION RECORD	AUTH.	DR.	CK.	REF.	DRAWN	CHECKED	SECT.	SHEET
4-23-56	3	WAS 3730909 & 273573	B466		F			F	11	14.00
11-14-55	2	3730909 OPT ADDED	4530		F					
10-10-55	1	WAS 3710926	3090		F	DATE 7-25-55	PART No. 3726600			

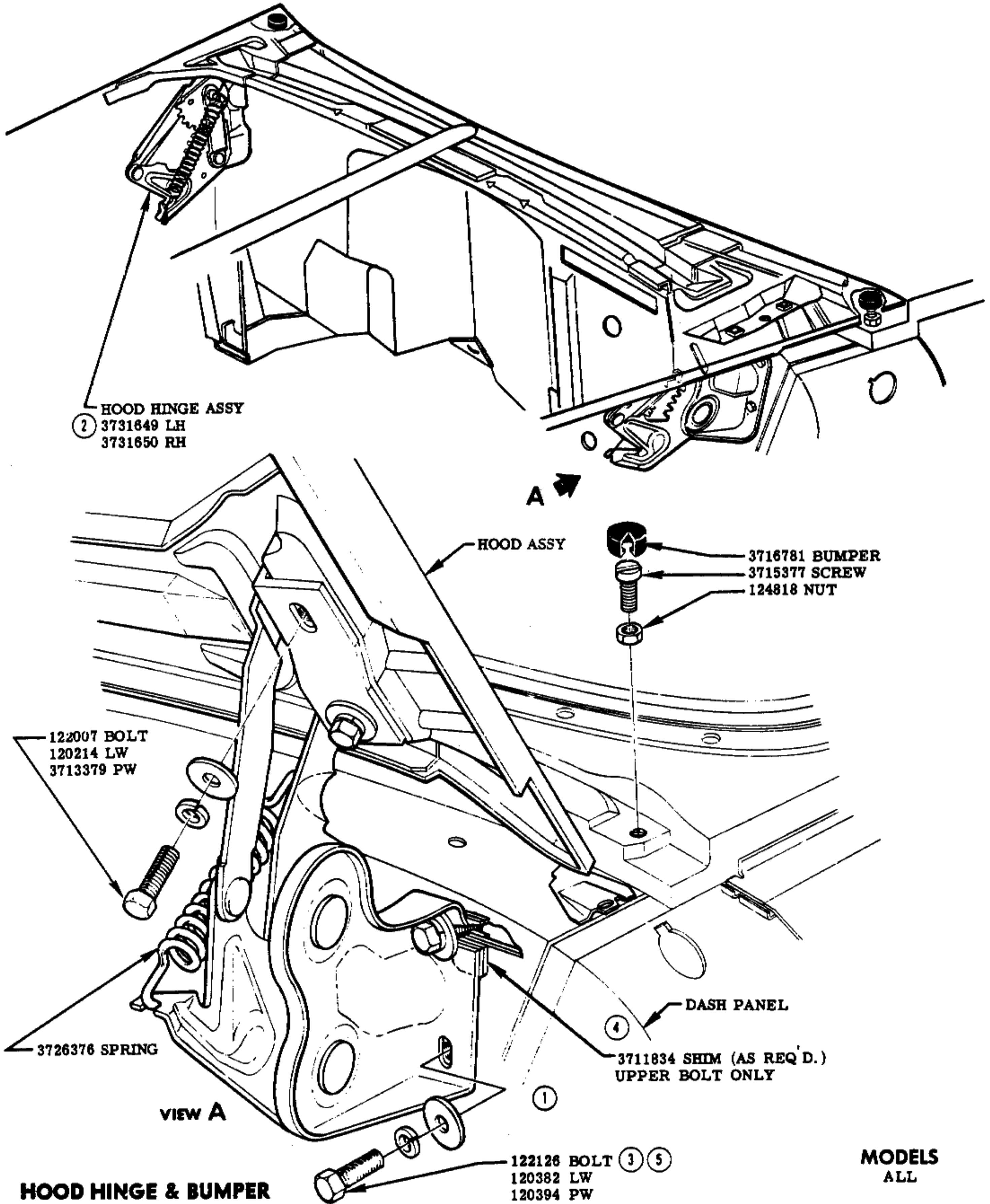


②

HOOD PAD & SEAL INSTRUCTION

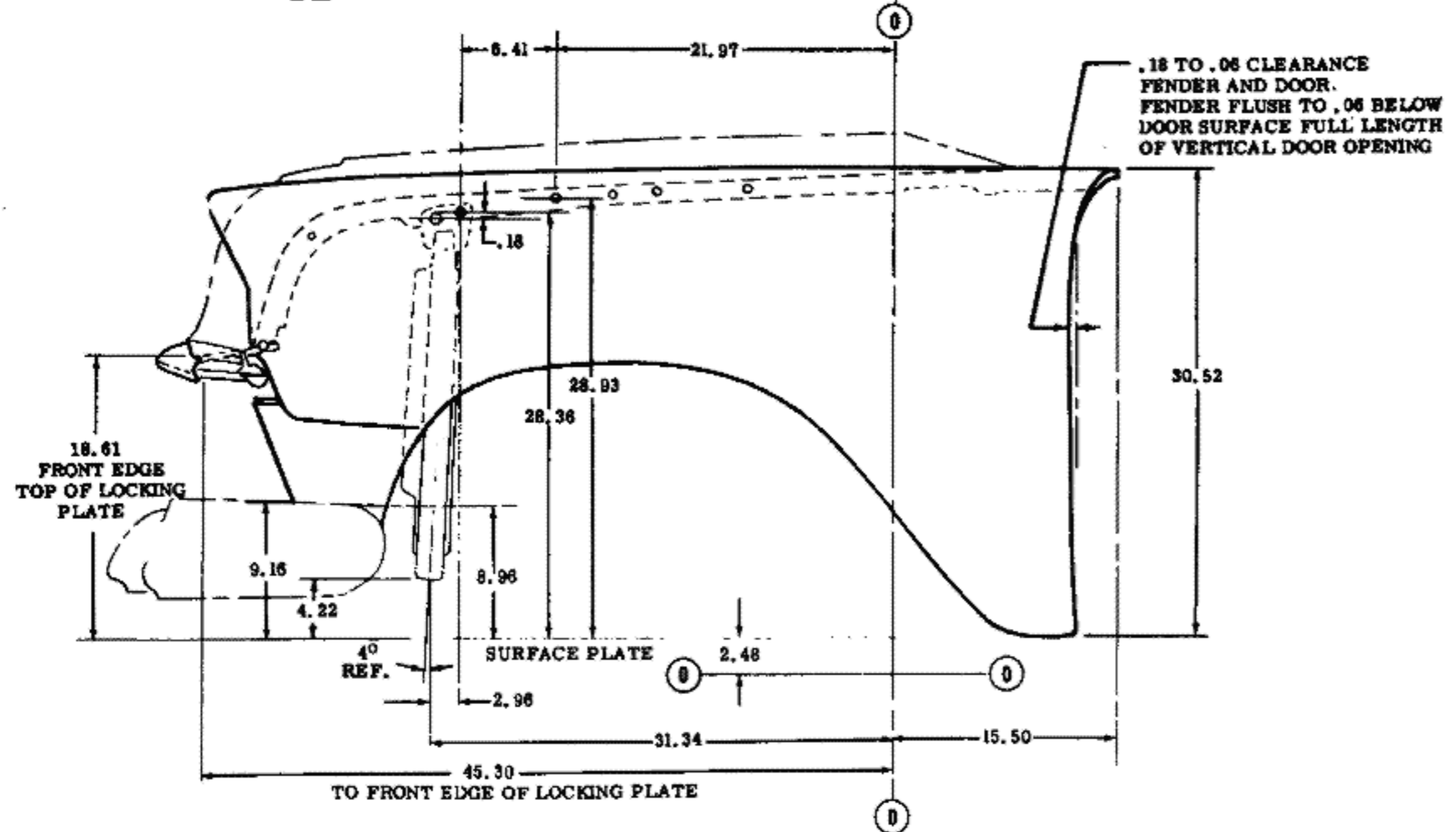
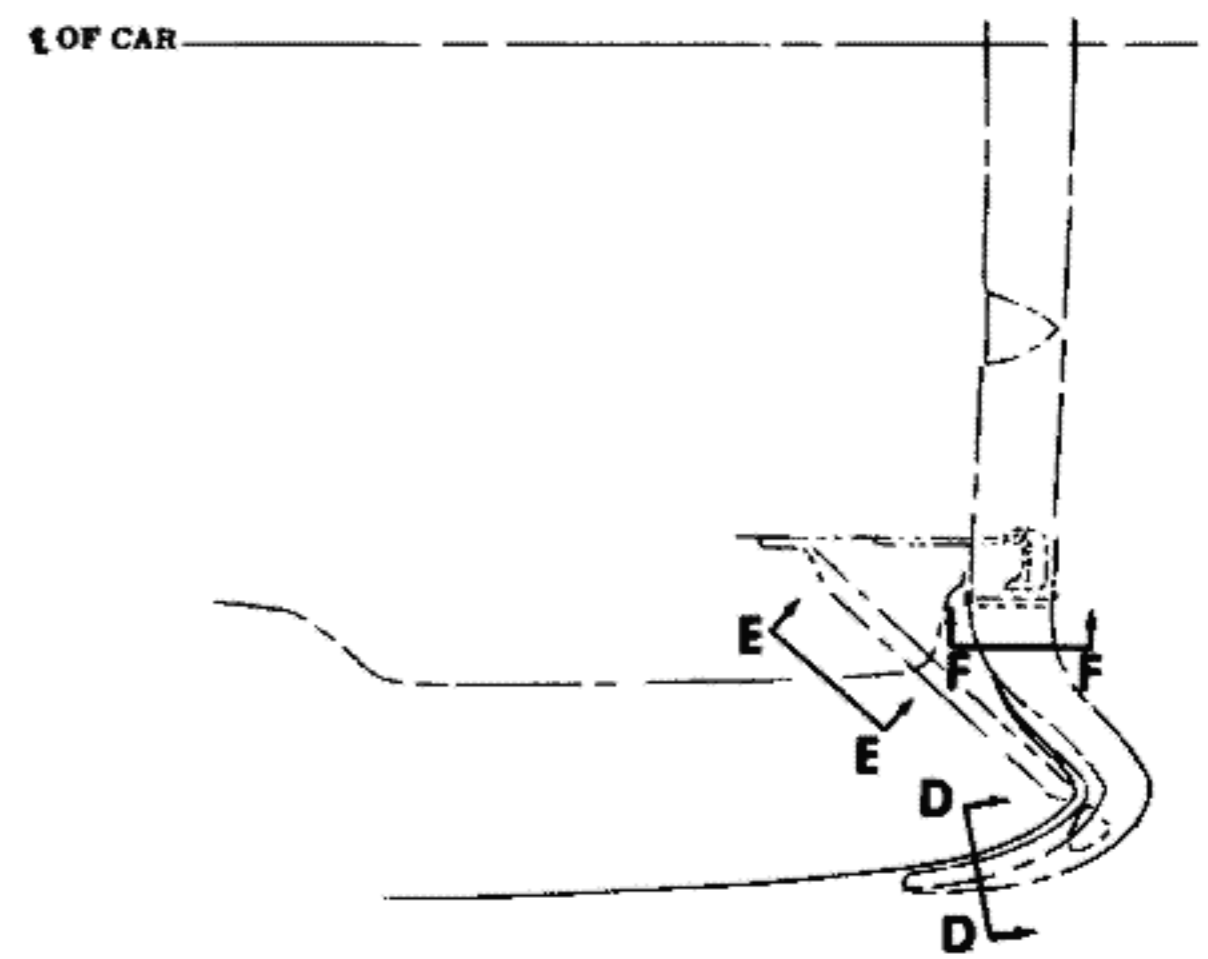
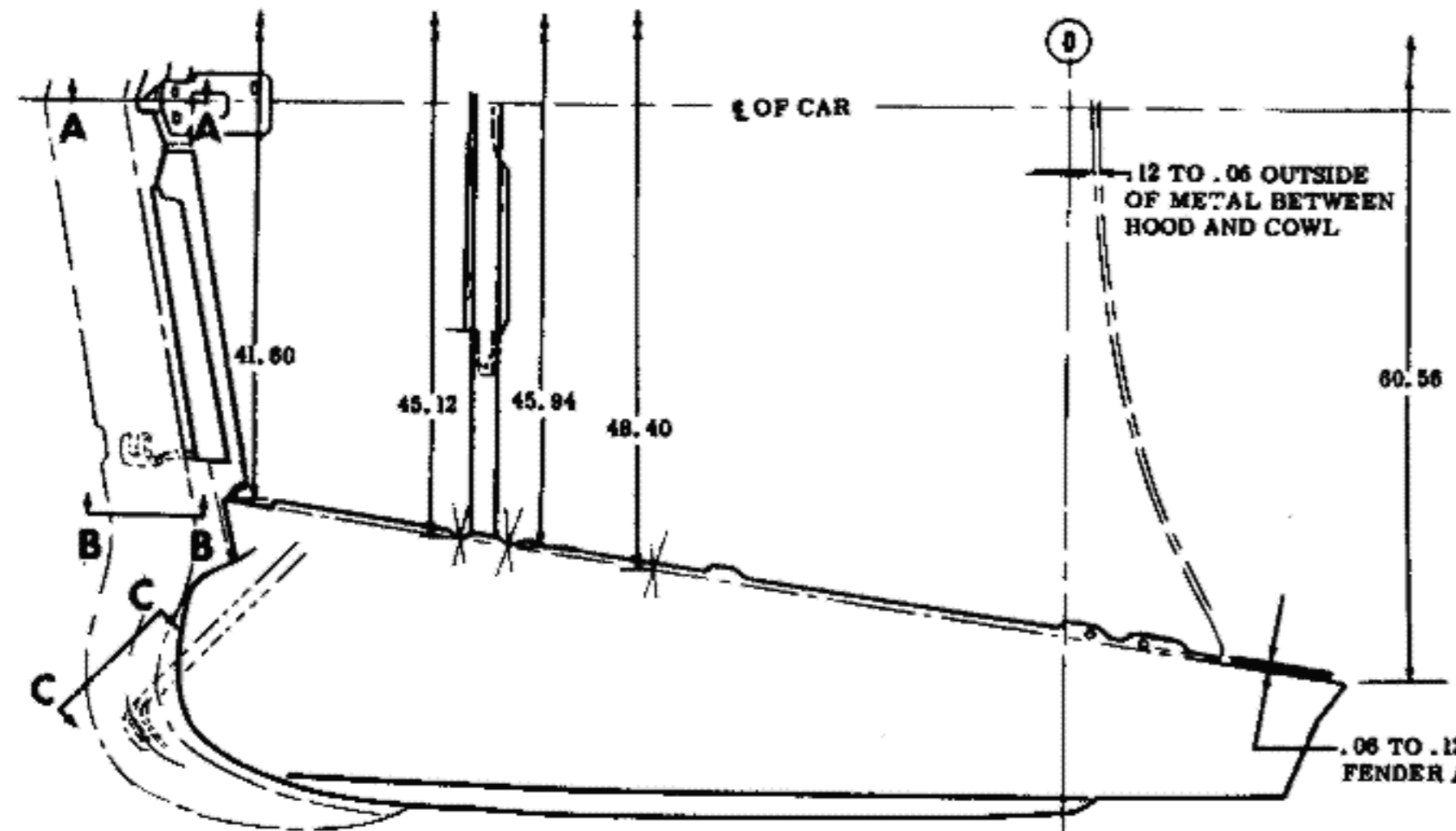
**MODELS
ALL**

						NAME	PASSENGER CAR INSTRUCTION MANUAL				
	3	NOTE ADDED				REF.	DRAWN	CHECKED	F	SECT.	SHEET
9-20-55	1	3724975, 3726634 & 3684952 REMOVED	3016			DATE	PART No.			11	15.00
DATE	SYM.	REVISION RECORD	AUTH.	DR.	CK.	7-25-55	3726600				



HOOD HINGE & BUMPER INSTRUCTION

DATE	SYM.	REVISION RECORD	AUTH.	DR.	CK.	NAME	PASSENGER CAR INSTRUCTION MANUAL	REF.	DRAWN	CHECKED	F	SECT.	SHEET
5-9-56	5	WAS 120233 BOLT	1323		F								
	4	PART ADDED			F								
1-30-58	3	WAS 122119	6892										
	2	WAS 3710869 & 3710870	5050		F								
11-2-55	1	466943 CEMENT REMOVED	9957										
						DATE	7-25-55	PART No.	3726600			11	16.00

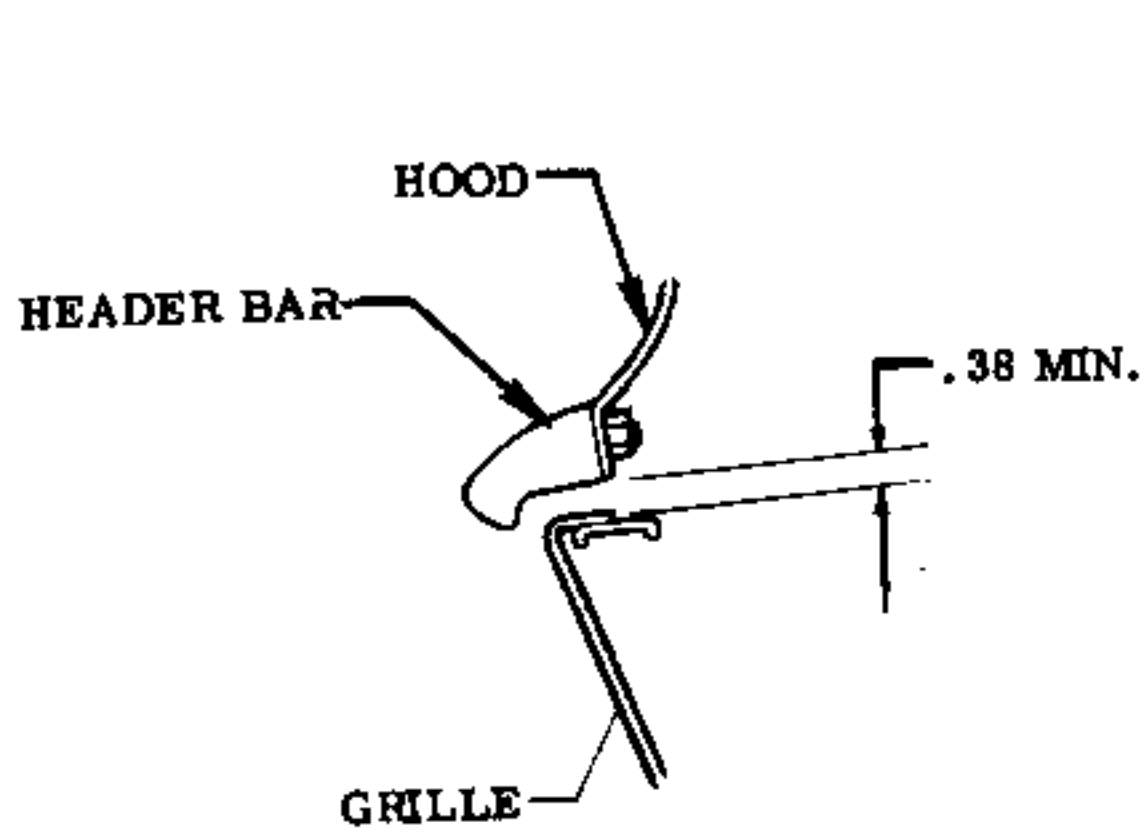


SECTIONS ARE SHOWN ON SHEET 18.00

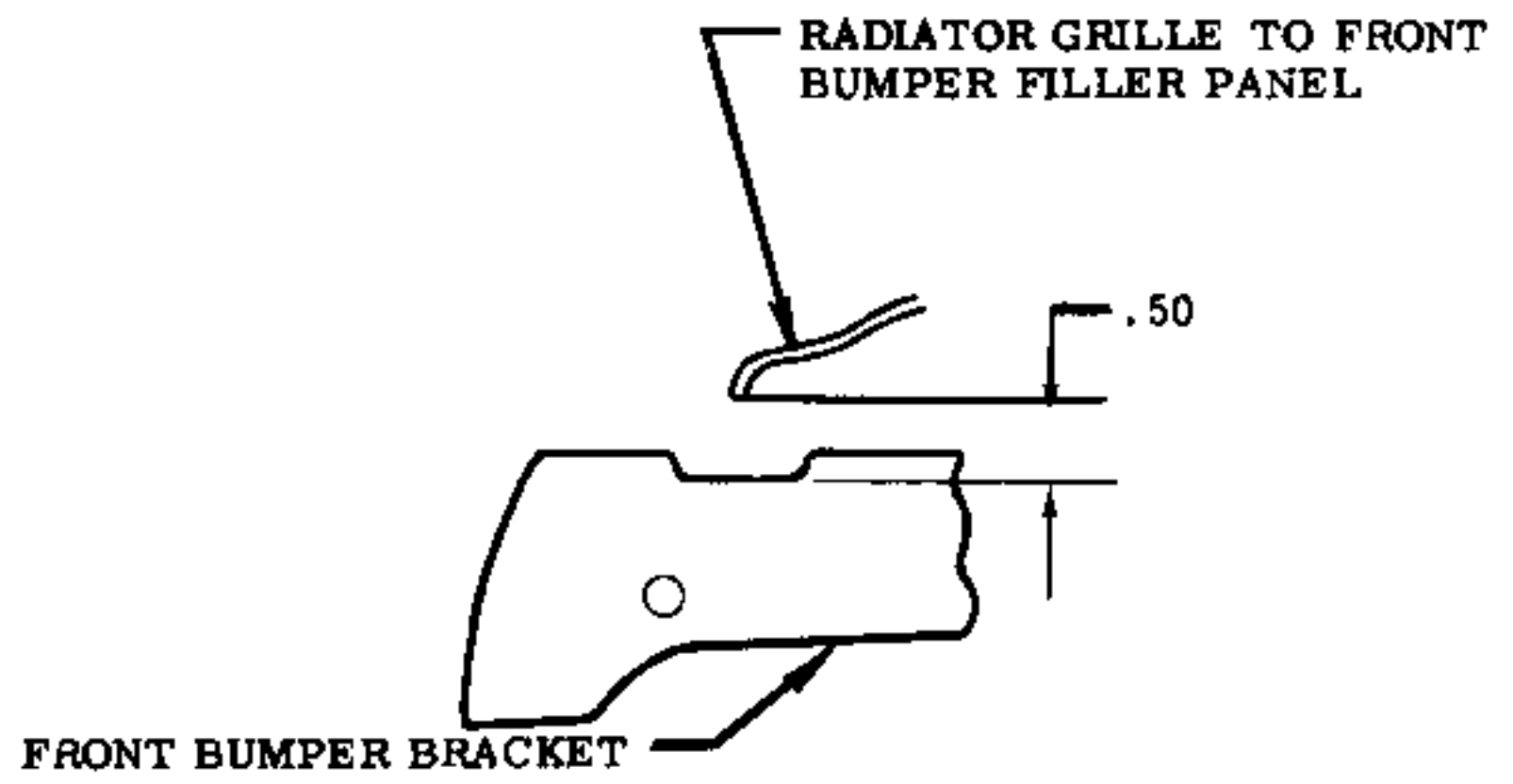
SHEET METAL CHECKING INSTRUCTION

**MODELS
ALL**

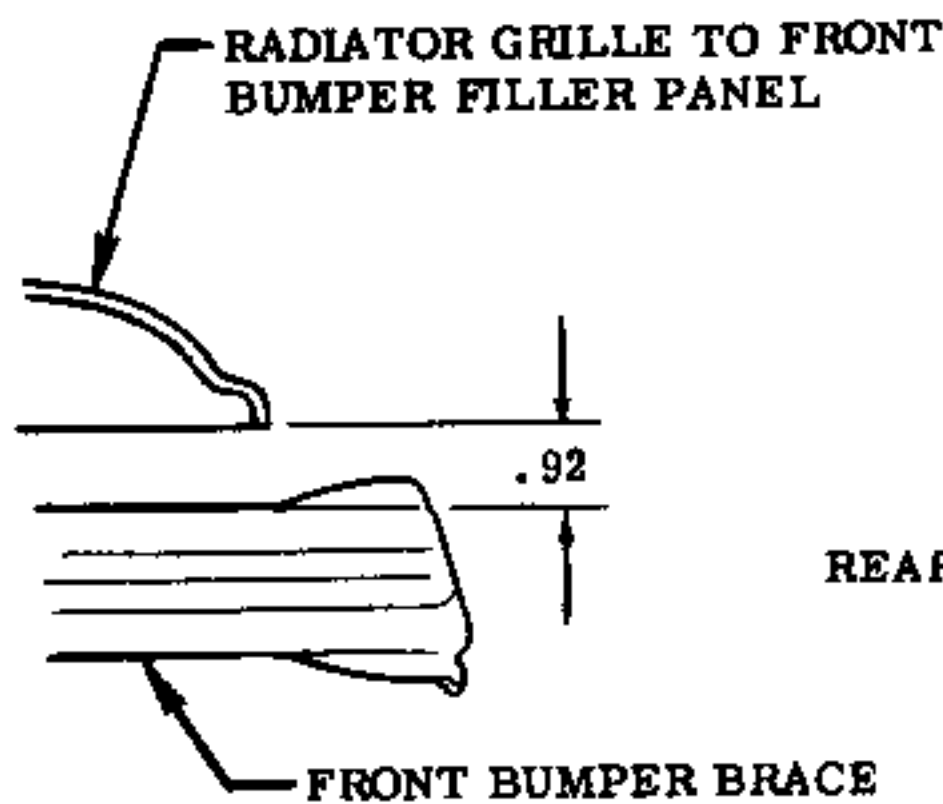
						NAME PASSENGER CAR INSTRUCTION MANUAL				
						REF.	DRAWN	CHECKED	SECT.	SHEET
									11	17.00
						DATE	PART No.			
						7-25-55	3726600			
DATE	SYM.	REVISION RECORD	AUTH.	DR.	CK.					



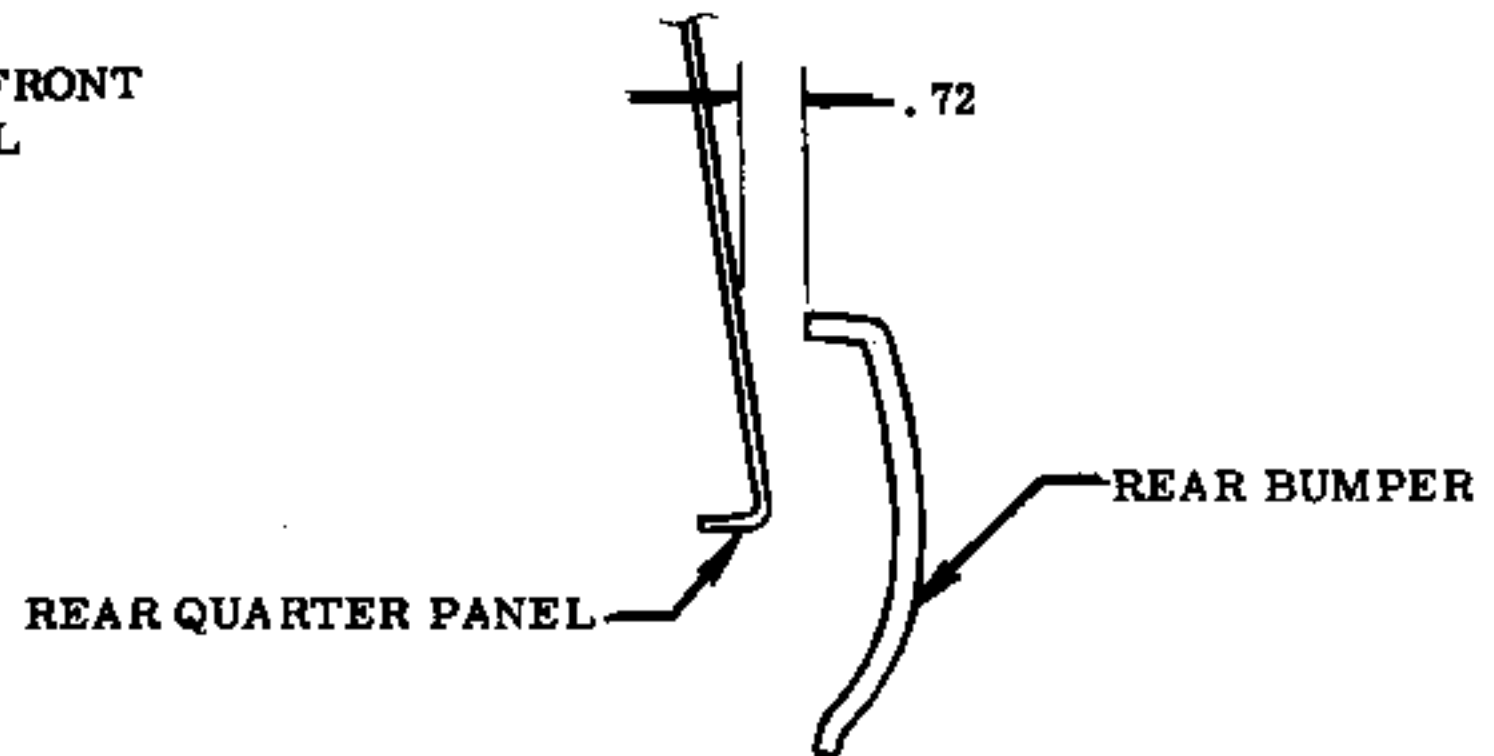
SECTION AA



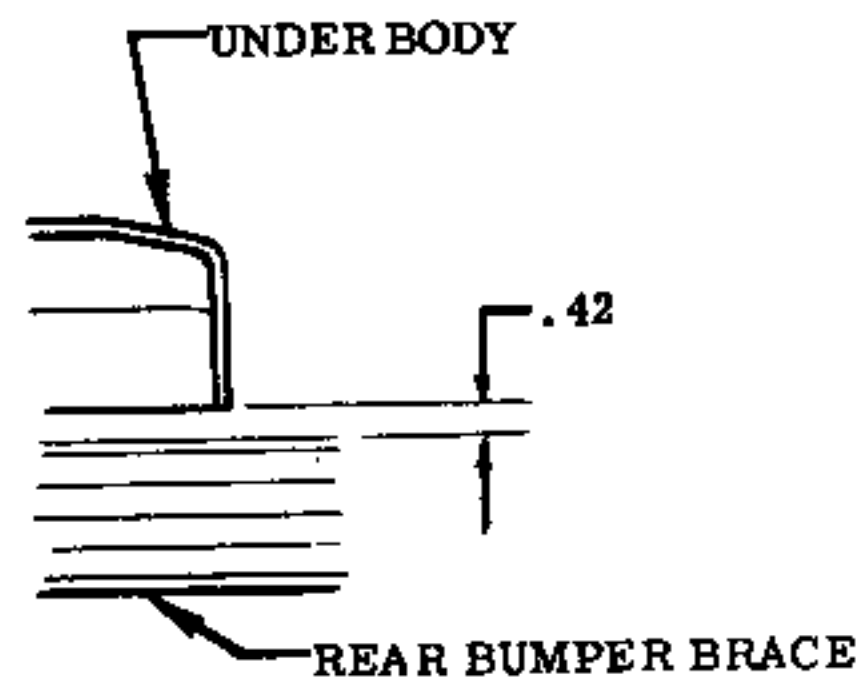
SECTION BB



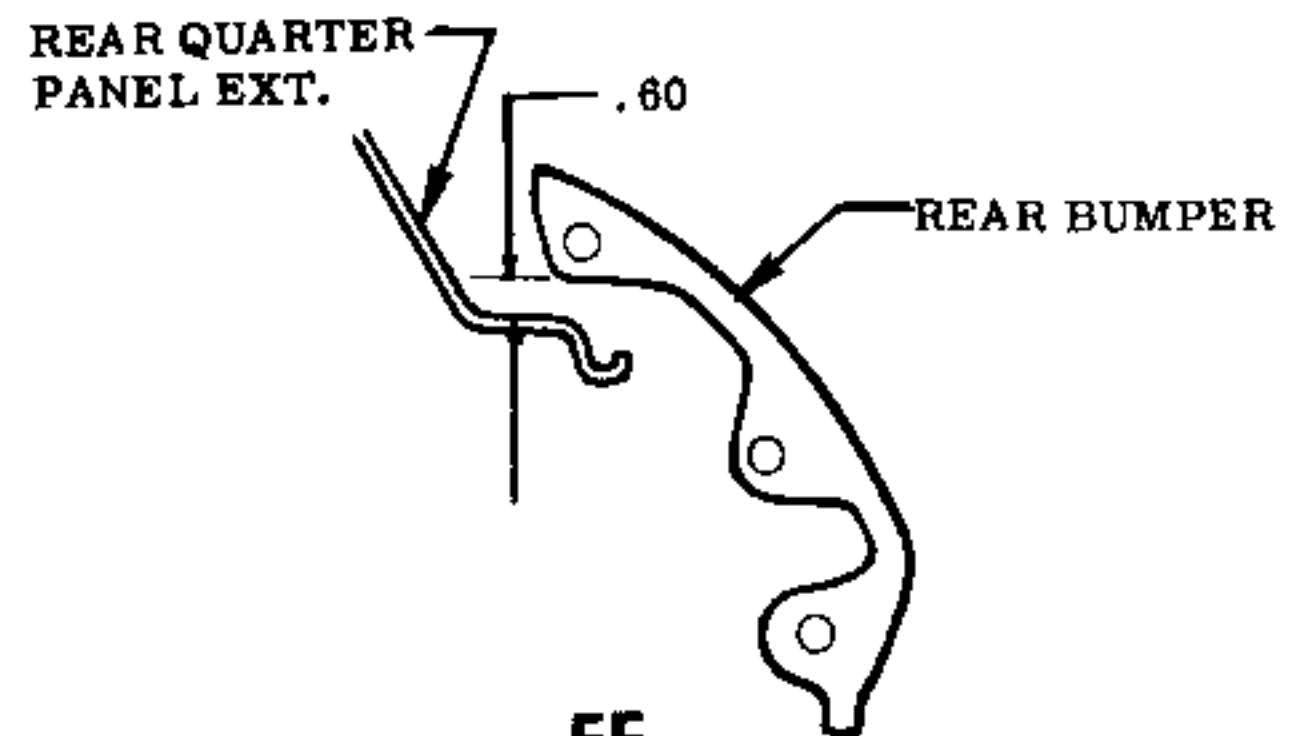
SECTION CC



SECTION DD



SECTION EE

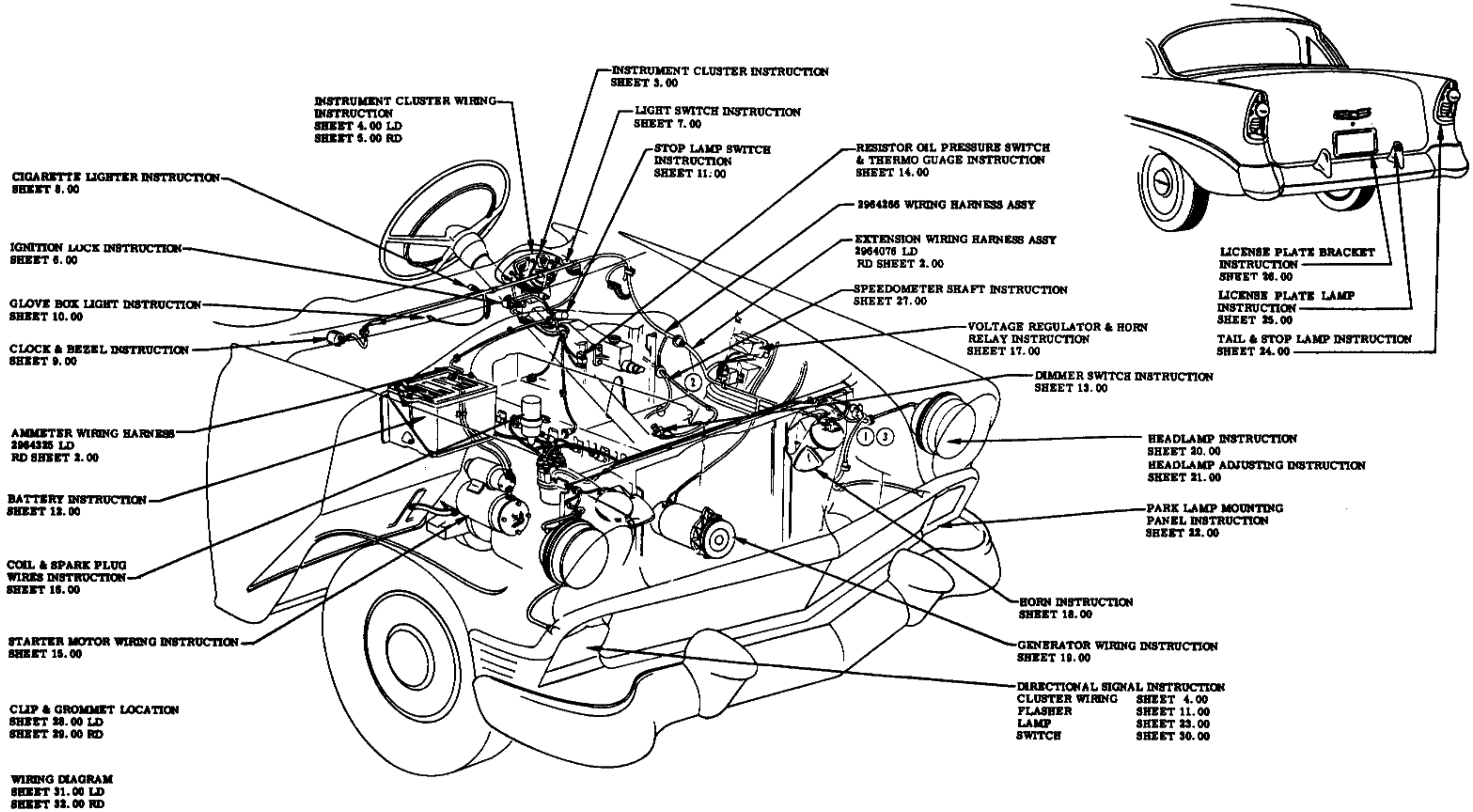


SECTION FF

MODELS
ALL

SHEET METAL CHECKING INSTRUCTION

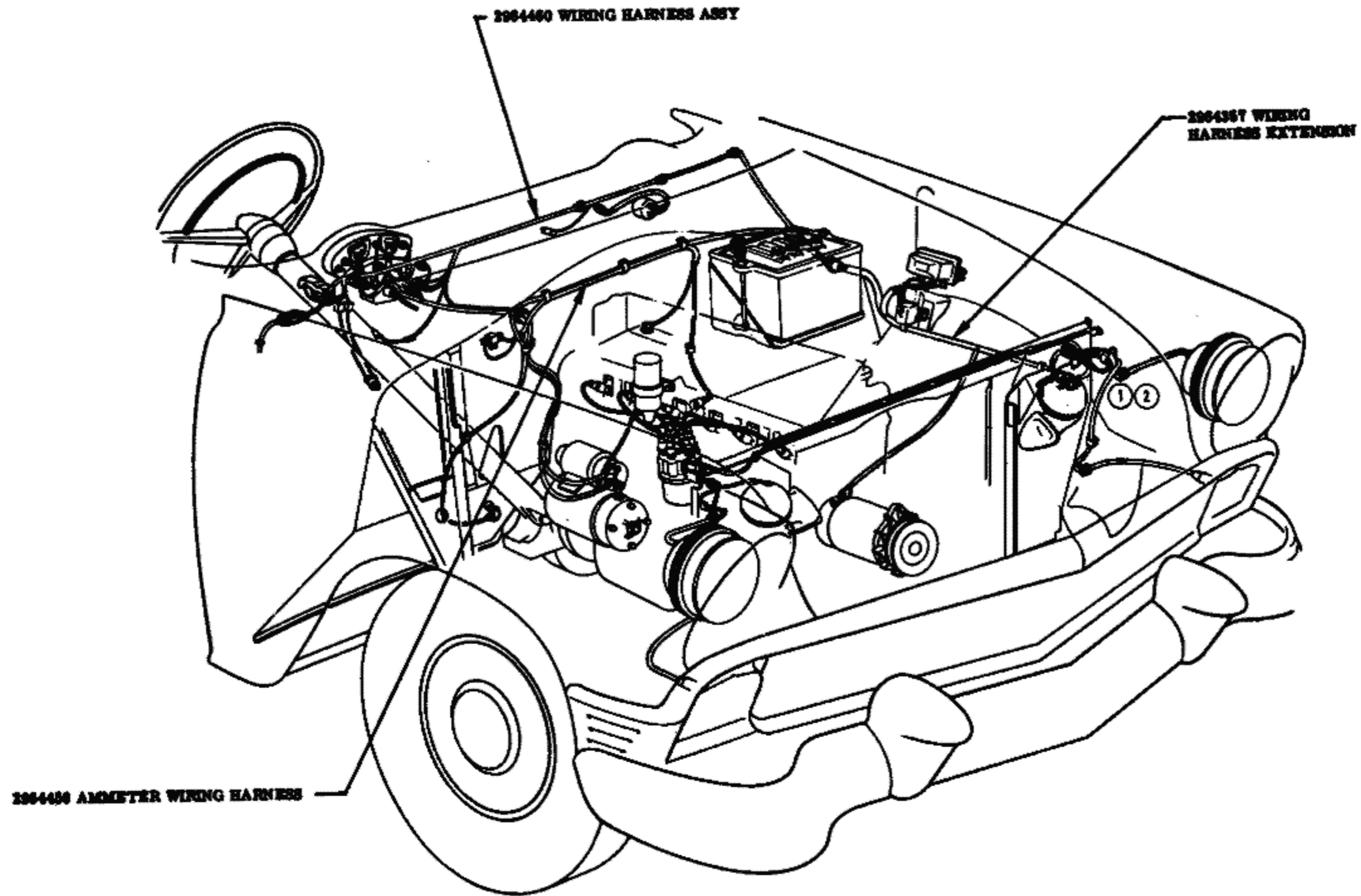
						NAME	PASSENGER CAR INSTRUCTION MANUAL			
						REF.	DRAWN	CHECKED	SECT.	SHEET
								F		
						DATE	PART No.		11	18.00
DATE	SYM.	REVISION RECORD	AUTH.	DR.	CK.	7-25-55	3726600			



ELECTRICAL INSTRUCTION

**MODELS
ALL**

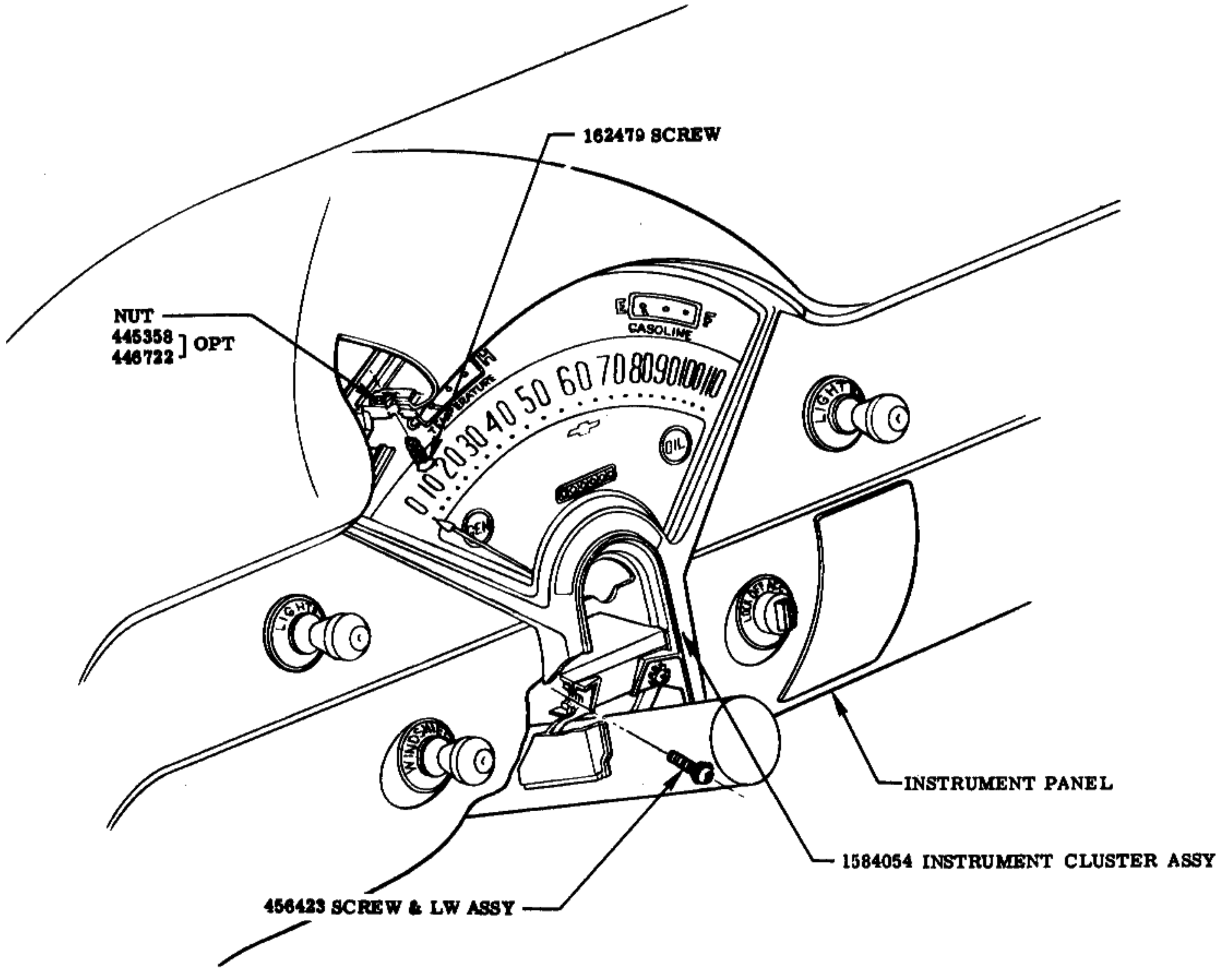
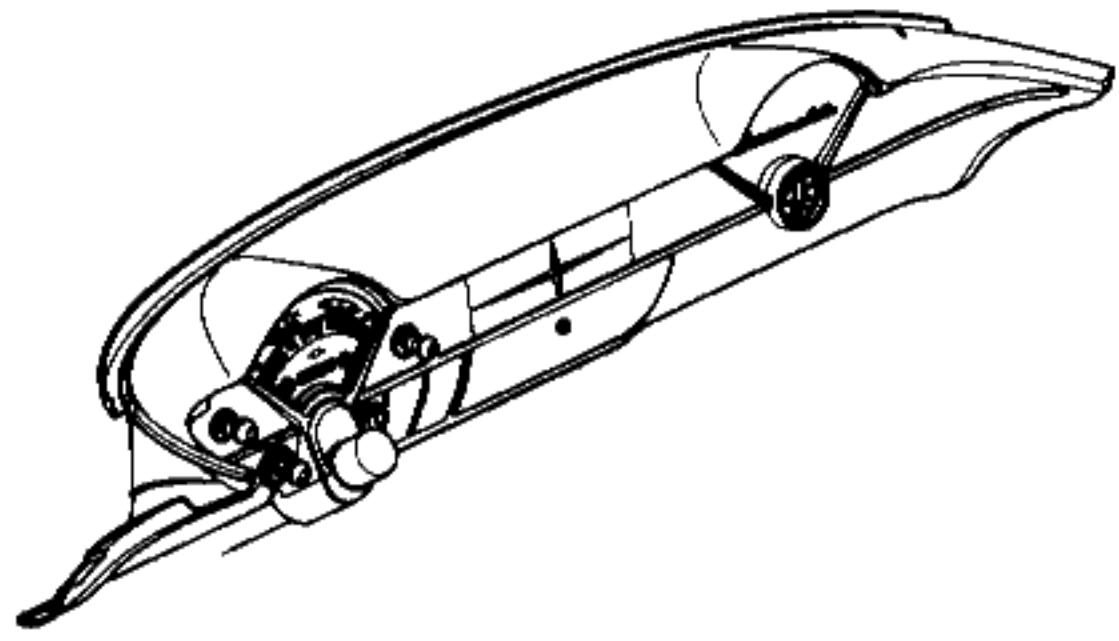
REVISION RECORD						PASSENGER CAR INSTRUCTION MANUAL				
DATE	SYM.	REVISION	AUTH.	DR.	CK.	REF.	DRAWN	CHECKED	SECT.	SHEET
2-8-56	3	WIRE RE-ROUTED	7332	V	F					
	2	WIRE RE-ROUTED	5049		F					
12-28-55	1	WIRE RE-ROUTED	5285							
						DATE	PART No.		12	1.00
						7-25-55	3726600			



MODELS
ALL RD

WIRING INSTRUCTION

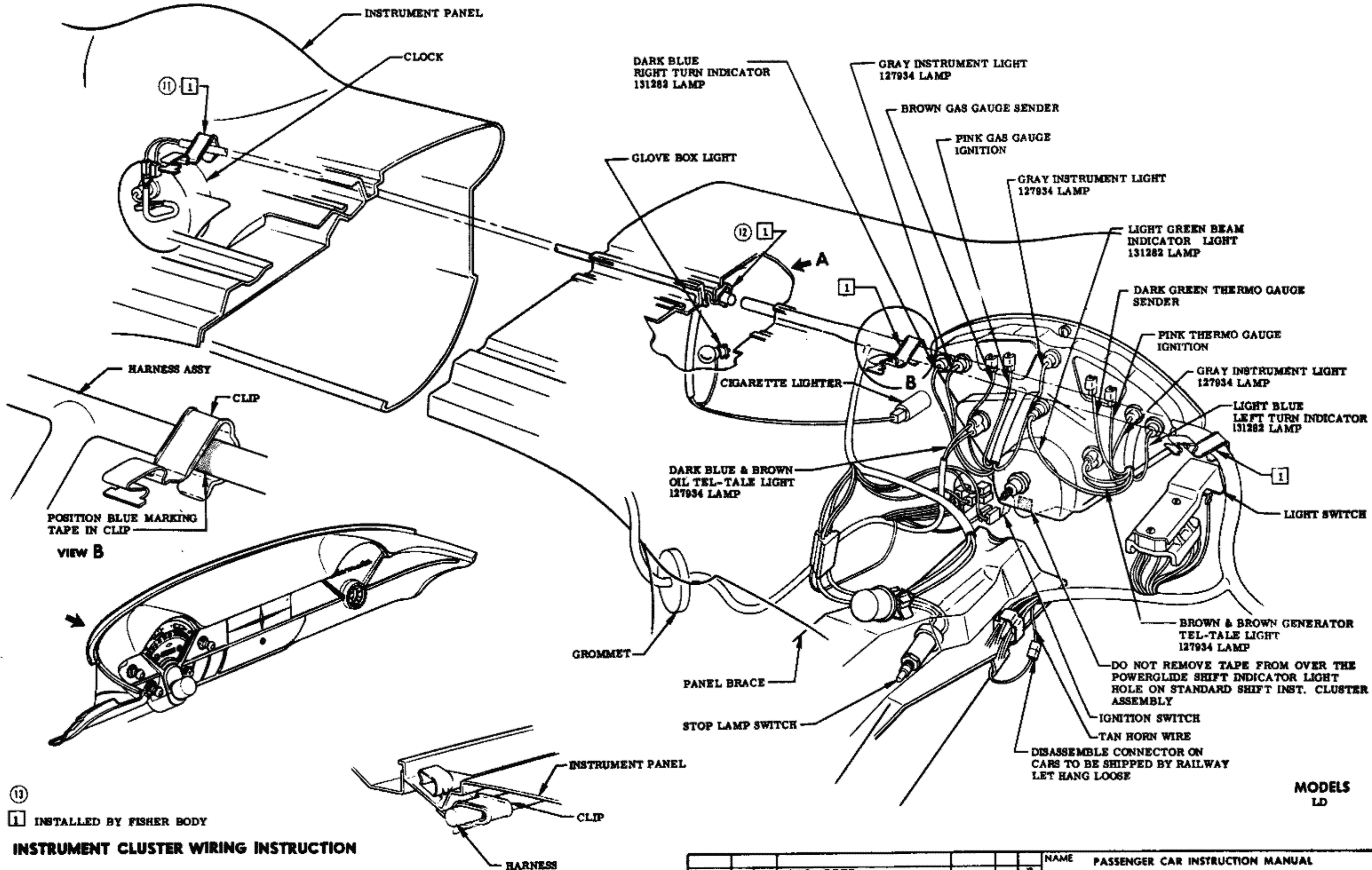
						NAME PASSENGER CAR INSTRUCTION MANUAL				
						REF.	DRAWN	CHECKED F	SECT.	SHEET
2-9-56	2	WIRE RE-ROUTED	7352	V	F	DATE 7-25-55	PART No. 3726400	12	2.00	
12-28-55	1	WIRE RE-ROUTED	5285		F					
DATE	SYM.	REVISION RECORD	AUTH.	DR.	CK.					



MODELS
ALL

INSTRUMENT CLUSTER INSTRUCTION

						NAME PASSENGER CAR INSTRUCTION MANUAL				
						REF.	DRAWN	CHECKED F	SECT.	SHEET
						DATE 7-25-55	PART No. 3726600		12	3.00
DATE	SYM.	REVISION RECORD	AUTH.	DR.	CK.					

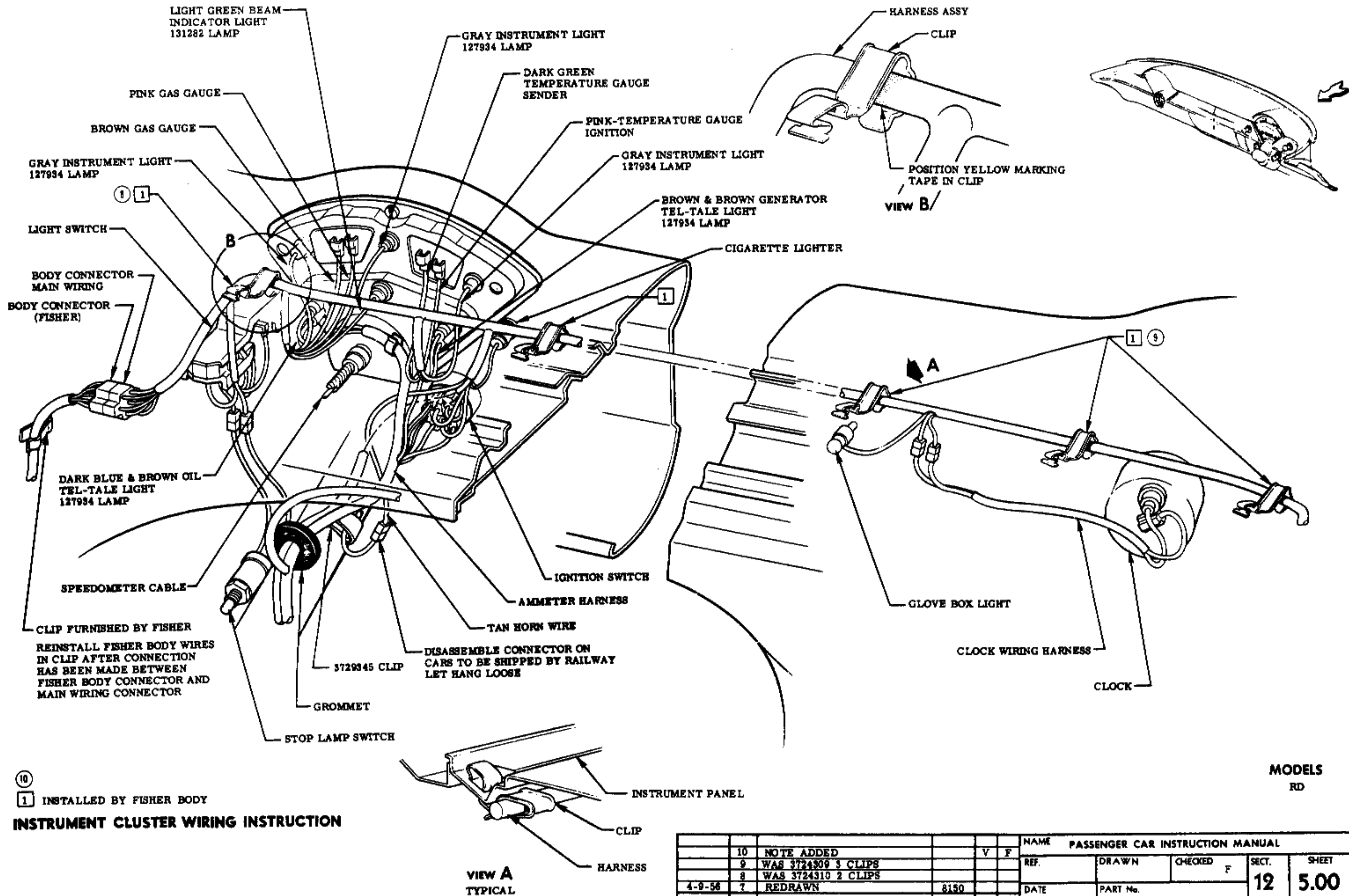


11 I
 1 I INSTALLED BY FISHER BODY

INSTRUMENT CLUSTER WIRING INSTRUCTION

MODELS
 LD

						NAME PASSENGER CAR INSTRUCTION MANUAL				
	15	NOTE ADDED				REF.	DRAWN	CHECKED F	SECT.	SHEET
	12	WAS 3724310 3 CLIPS							12	4.00
	11	WAS 3724309 1 CLIP				DATE	PART No.	3726600		
4-9-58	10	REDRAWN	6150			7-25-55				
DATE	SYM.	REVISION RECORD	AUTH.	DR.	CK.					

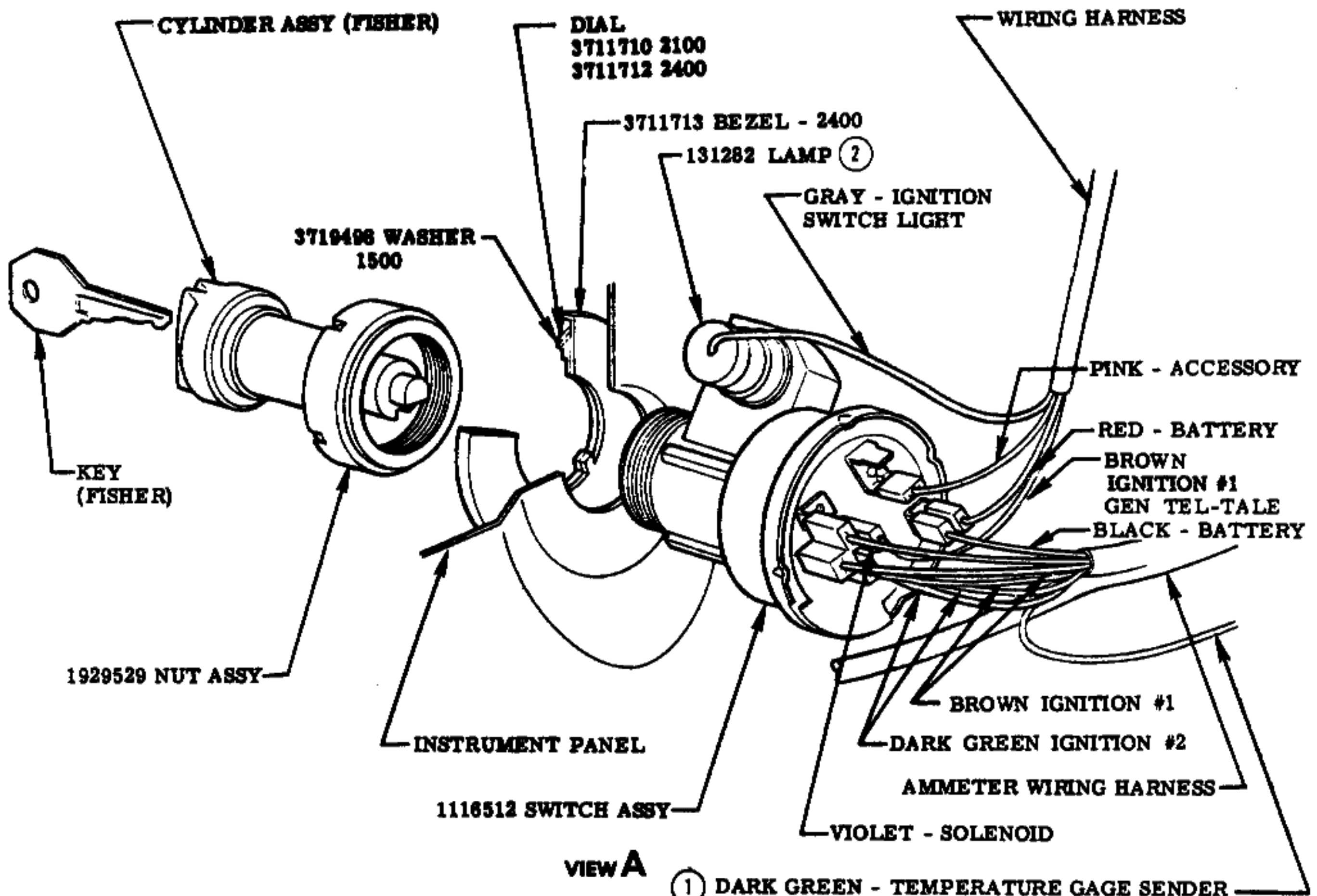
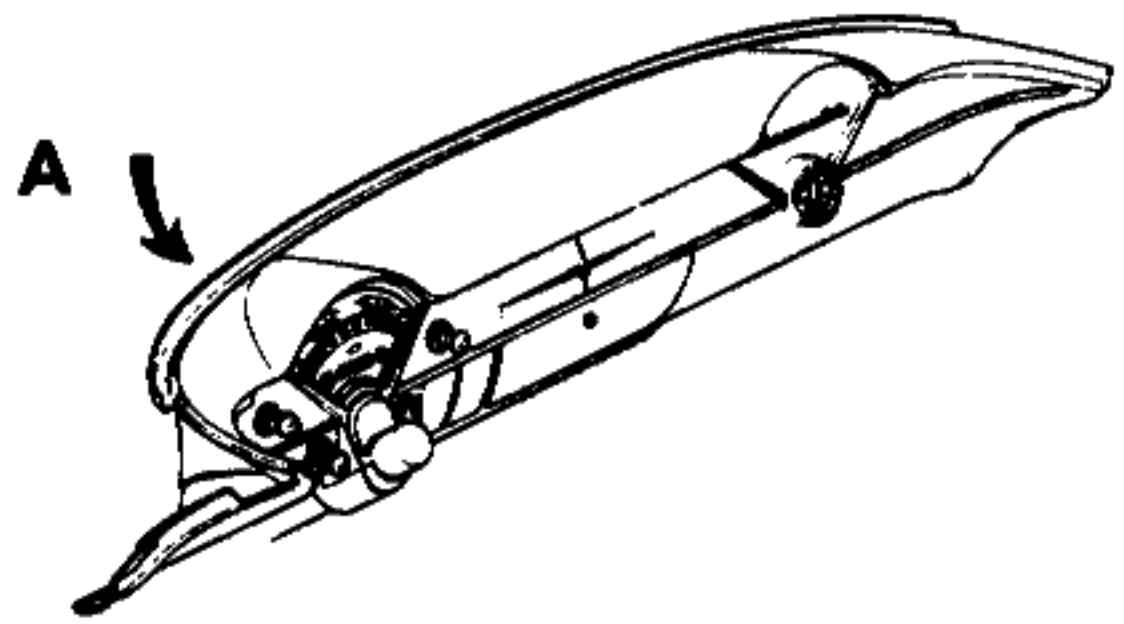


⑩
① INSTALLED BY FISHER BODY

INSTRUMENT CLUSTER WIRING INSTRUCTION

**MODELS
RD**

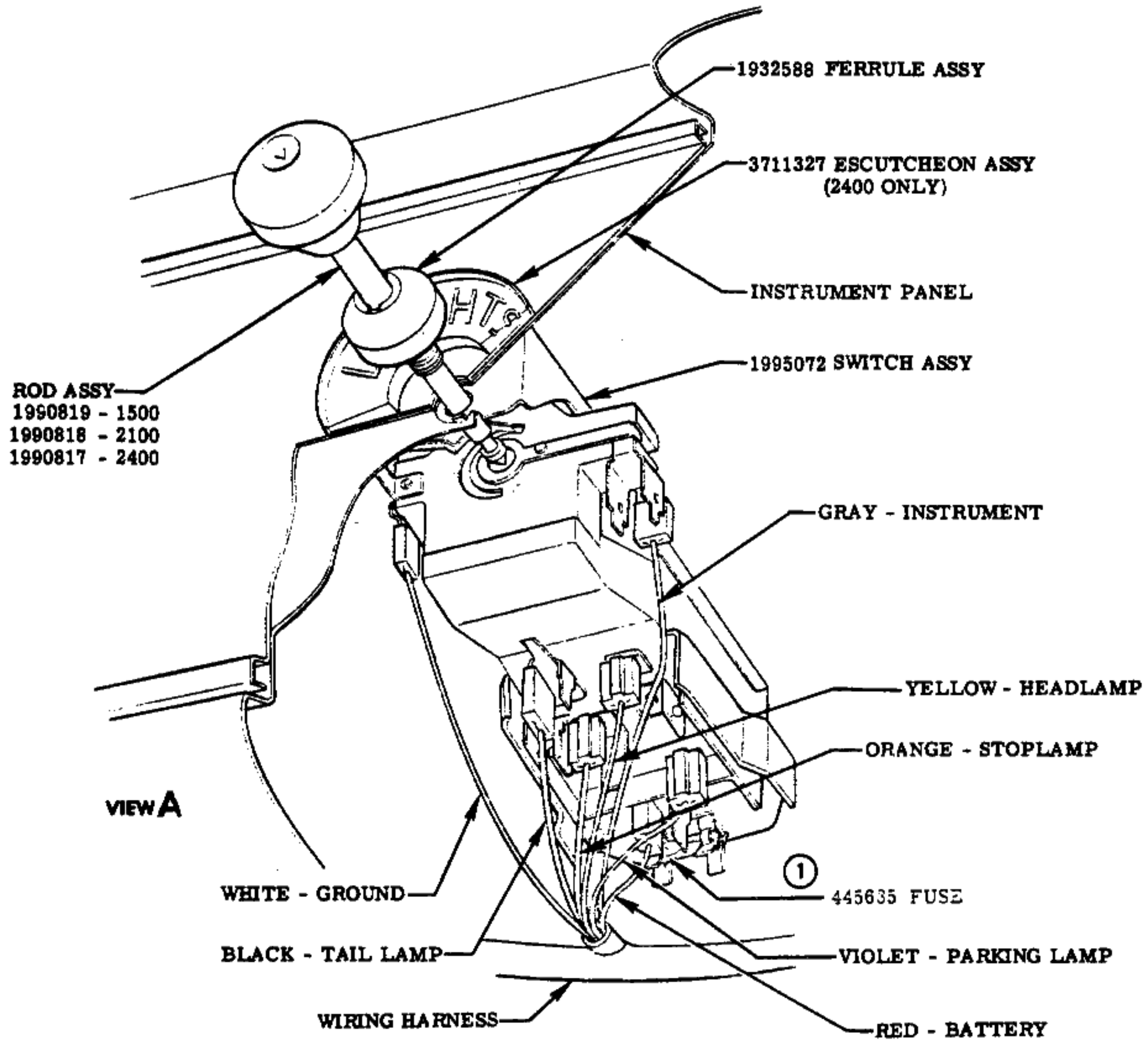
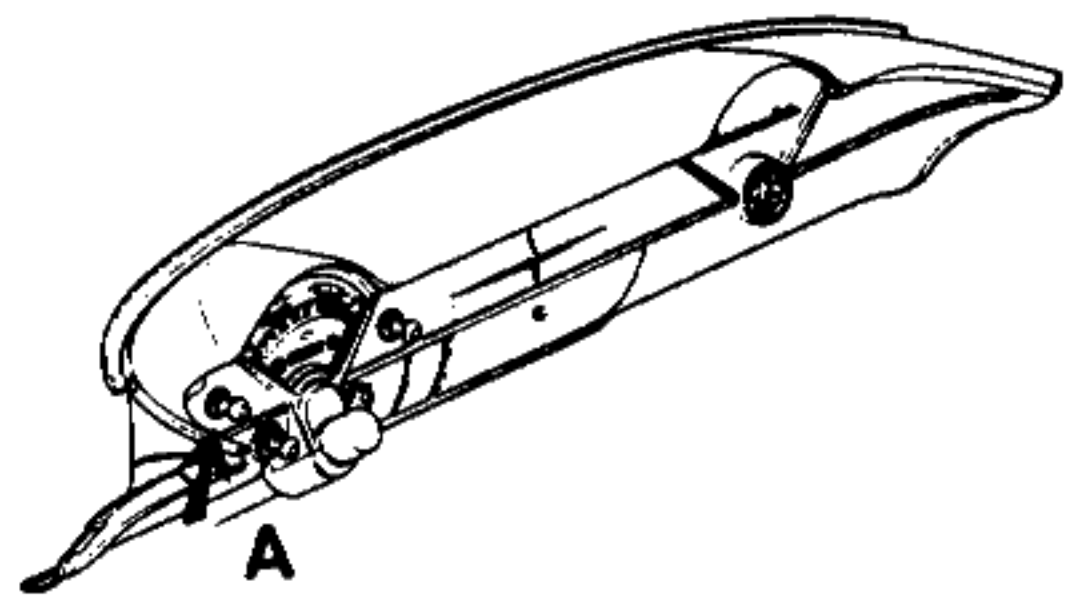
	10	NOTE ADDED		V	F	NAME PASSENGER CAR INSTRUCTION MANUAL				
	9	WAS 3724309 3 CLIPS				REF.	DRAWN	CHECKED	SECT.	SHEET
	8	WAS 3724310 2 CLIPS						F	12	5.00
4-9-55	7	REDRAWN	8150			DATE	PART No.			
DATE	SYM.	REVISION RECORD	AUTH.	DR.	CK.	T-25-55	3726600			



MODELS
ALL

IGNITION LOCK INSTRUCTION

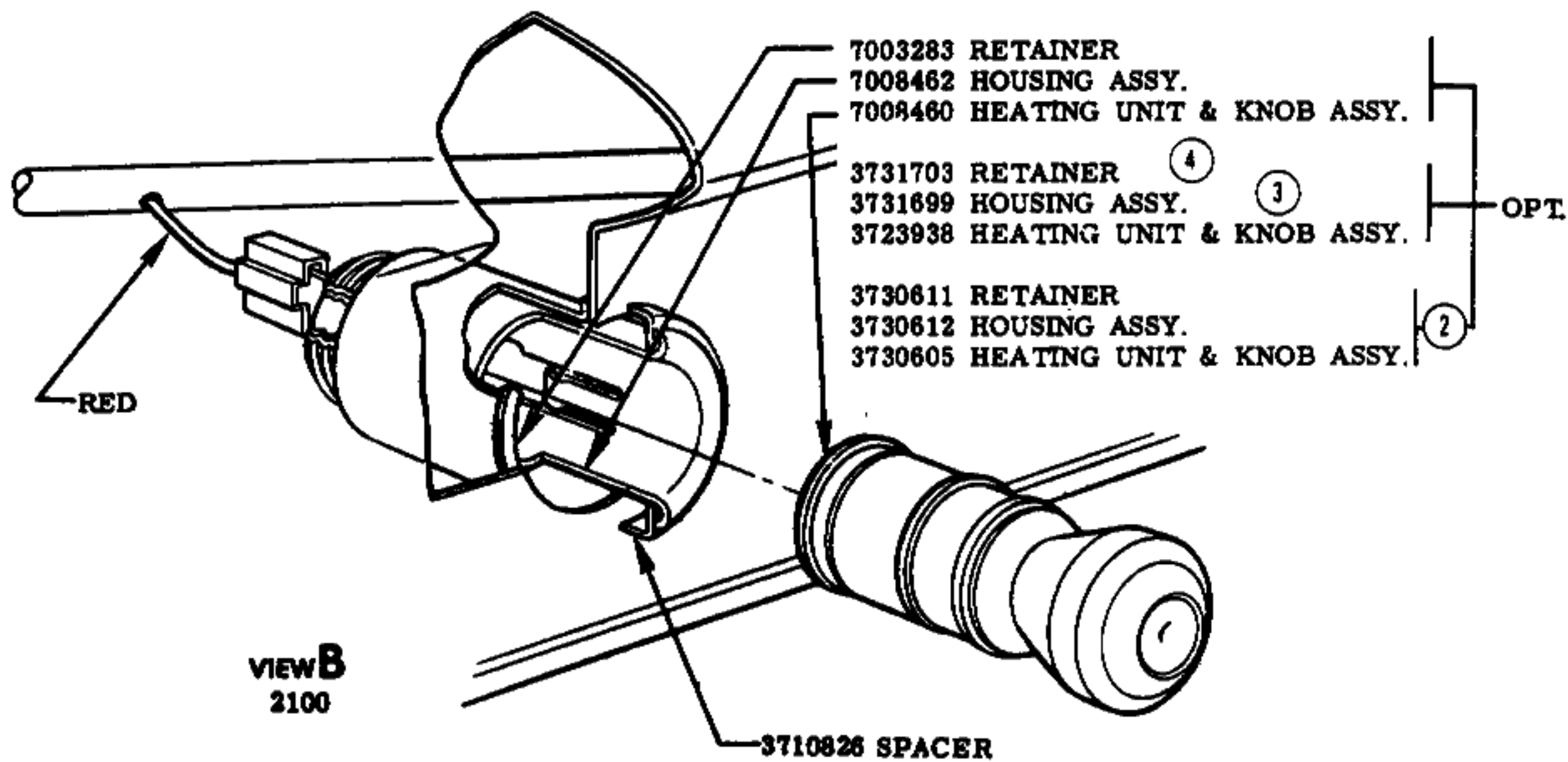
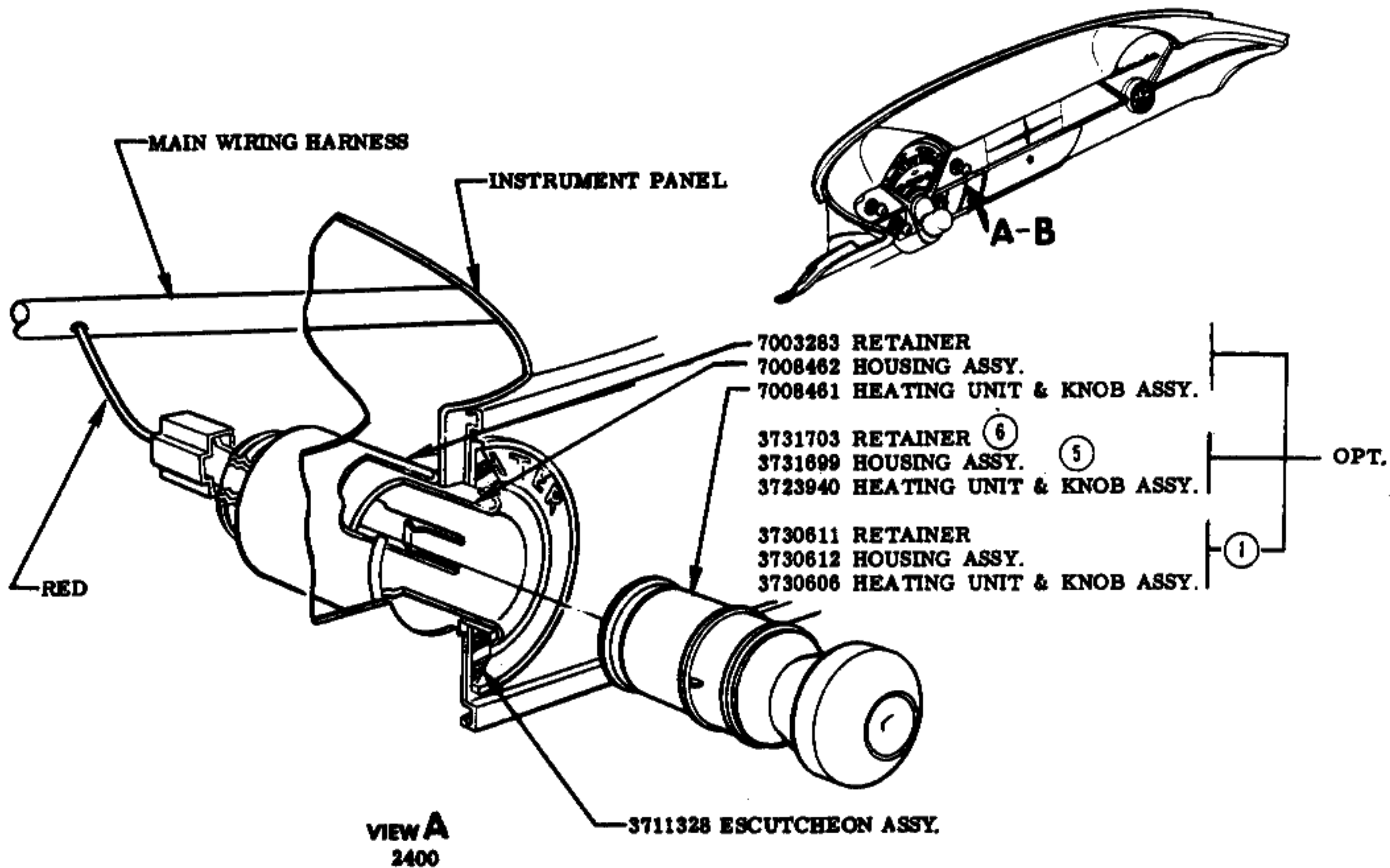
					NAME PASSENGER CAR INSTRUCTION MANUAL				
					REF.	DRAWN	CHECKED F	SECT.	SHEET
12-28-55	2	NO. ADDED	—	F	DATE	PART No.		12	6.00
11-7-55	1	VIEW REVISED & NOTE ADDED	—	F	7-25-55	3726600			
DATE	SYM.	REVISION RECORD	AUTH.	DR.	CK.				



MODELS
ALL

LIGHT SWITCH INSTRUCTION

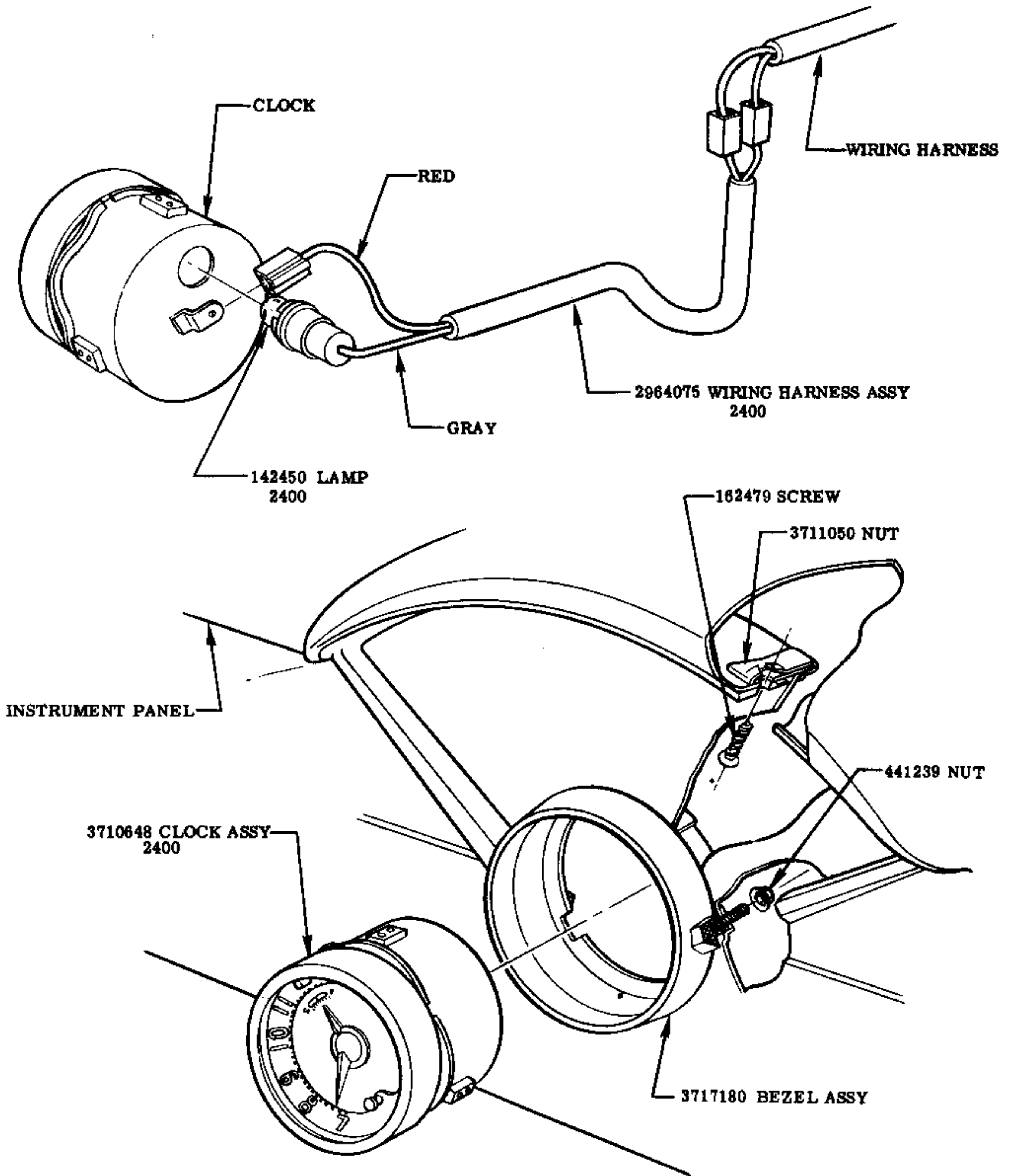
					NAME PASSENGER CAR INSTRUCTION MANUAL				
					REF.	DRAWN	CHECKED F	SECT.	SHEET
9-20-55	1	PART ADDED	5788	F	DATE	PART No.		12	7.00
DATE	SYM.	REVISION RECORD	AUTH.	DR. CK.	7-25-55	3726600			



CIGARETTE LIGHTER INSTRUCTION

MODELS
2100-2400

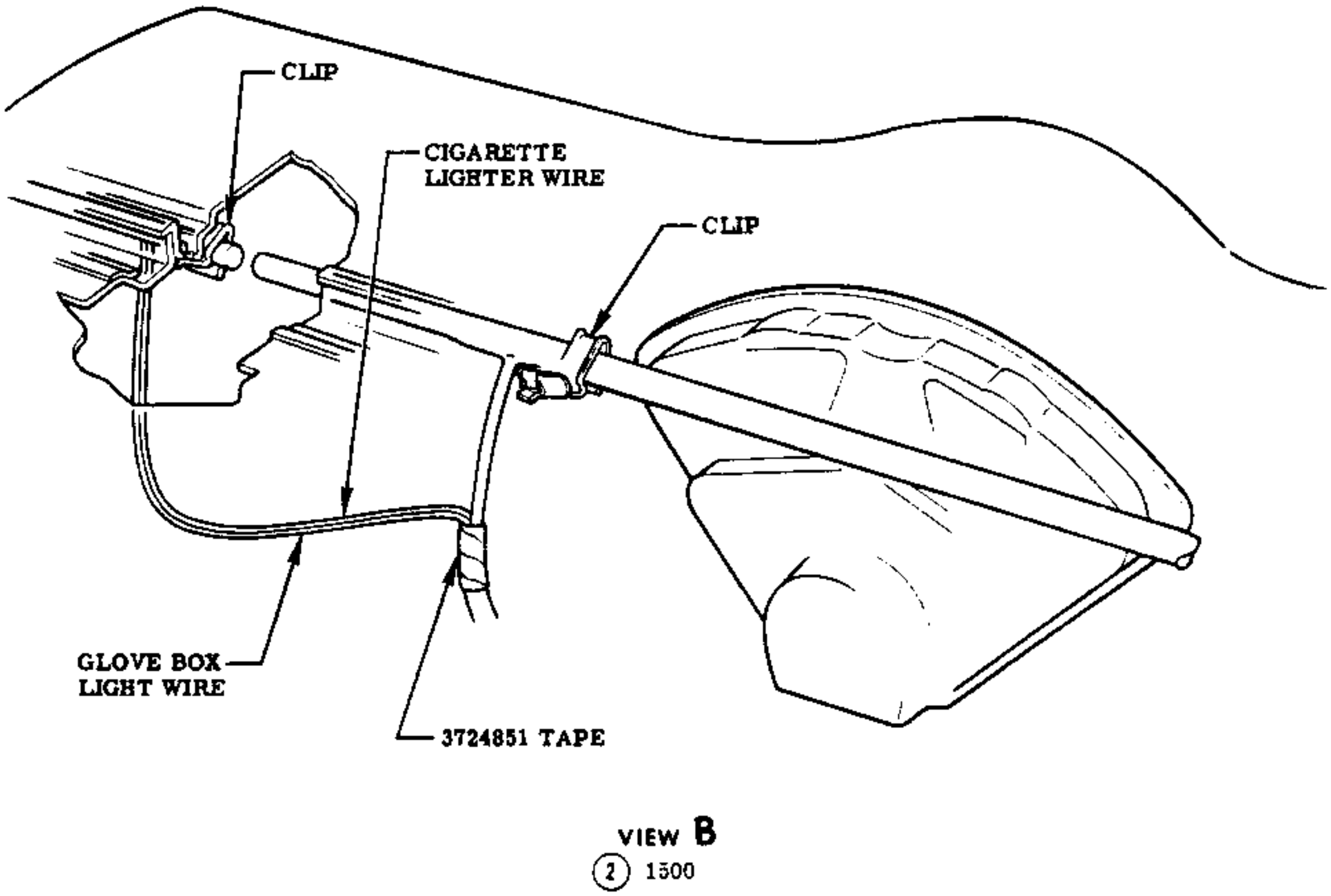
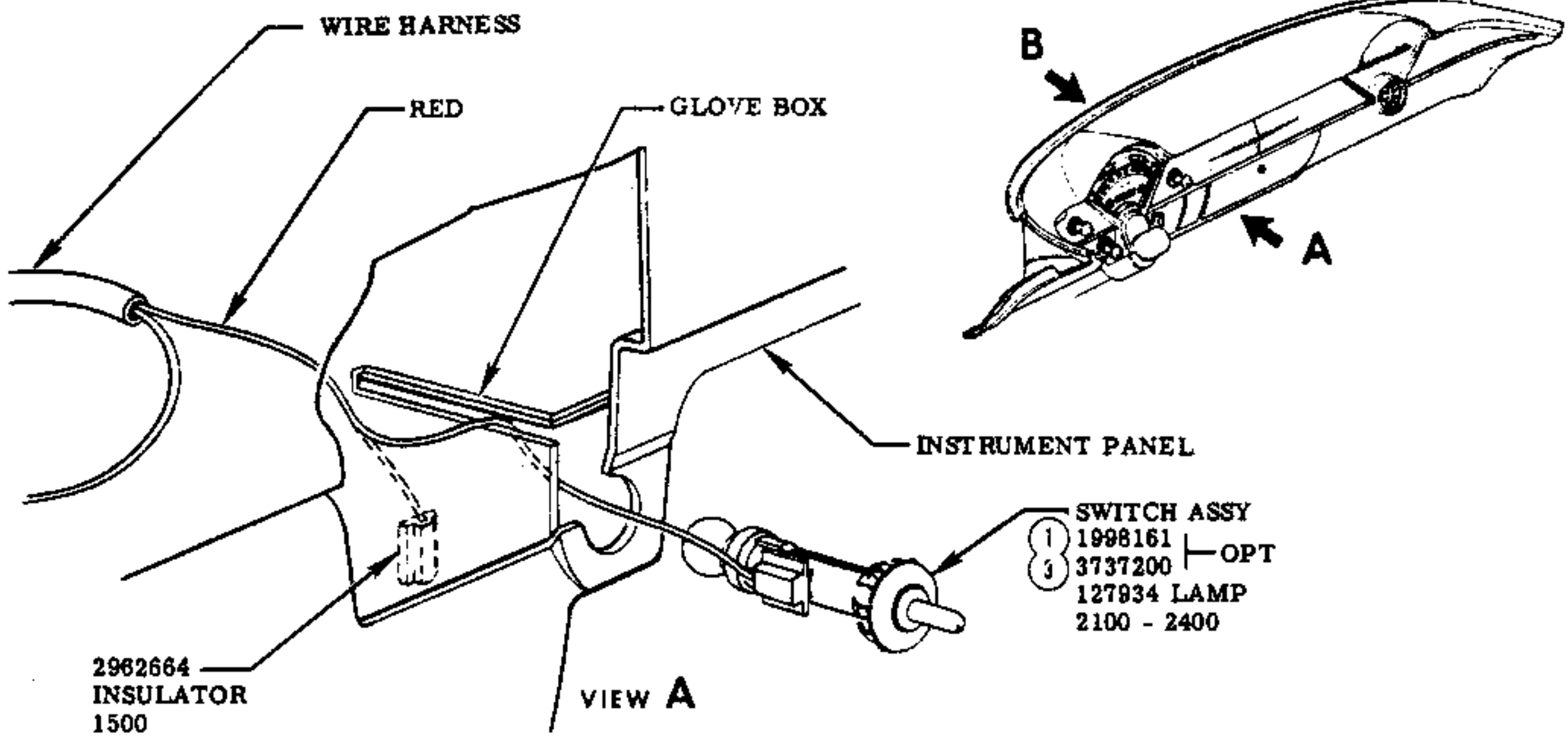
DATE	SYM.	REVISION RECORD	AUTH.	DR.	CK.	NAME	REF.	DRAWN	CHECKED	SECT.	SHEET
	6	3731703 WAS 3710840			F	PASSENGER CAR INSTRUCTION MANUAL					
	5	3731699 WAS 3710847									
	4	3731703 WAS 3710840									
12-28-55	3	3731699 WAS 3710847	4766						F		
	2	PARTS ADDED			F						
11-3-55	1	PARTS ADDED	4376							12	8.00
						DATE	7-25-55	PART No.	3726600		



CLOCK & BEZEL INSTRUCTION

MODELS
ALL

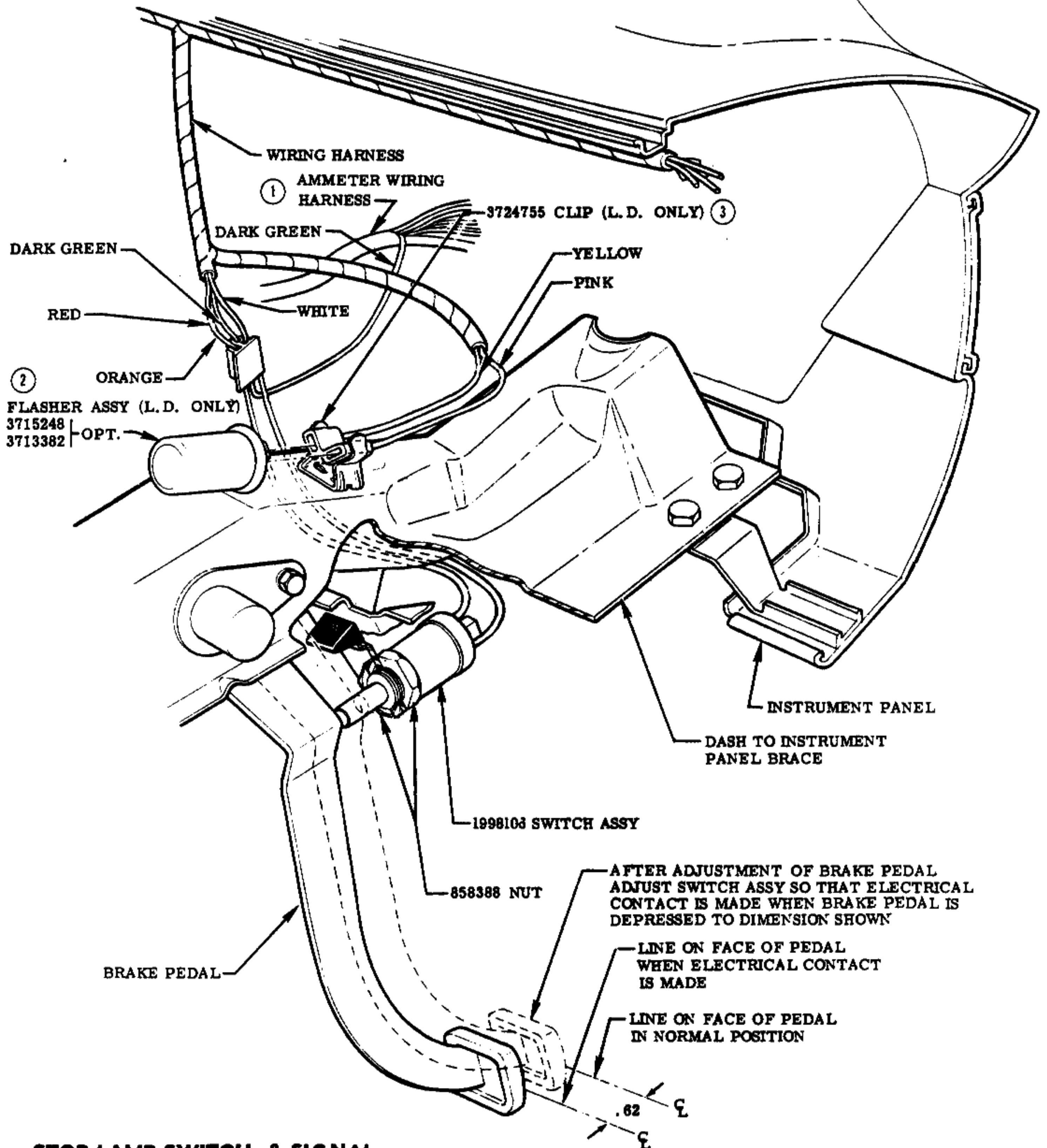
						NAME	PASSENGER CAR INSTRUCTION MANUAL				
						REF.	DRAWN	CHECKED	F	SECT.	SHEET
						DATE	PART No.			12	9.00
DATE	SYM.	REVISION RECORD	AUTH.	DR.	CK.	7-25-55	3726600				



MODELS
ALL

GLOVE BOX LIGHT INSTRUCTION

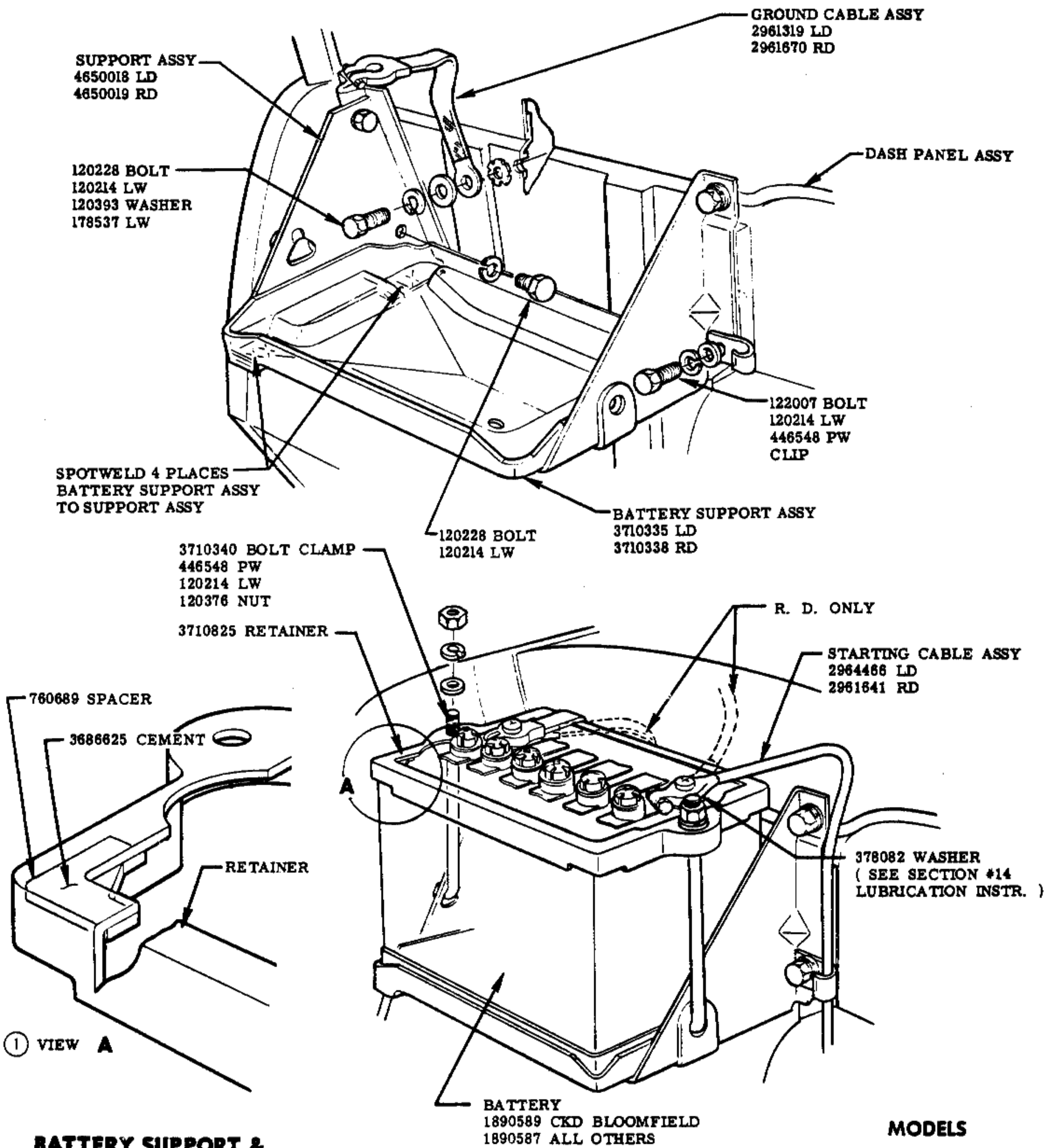
						NAME PASSENGER CAR INSTRUCTION MANUAL				
5-1-56	3	3737200 OPT. ADDED	8968	V	F	REF.	DRAWN	CHECKED	SECT.	SHEET
2-15-56	2	VIEW B ADDED	8951		F				12	10.00
1-9-56	1	WAS 1998148	4892		F	DATE 7-25-55	PART No. 3726600			
DATE	SYM.	REVISION RECORD	AUTH.	DR.	CK.					



STOP LAMP SWITCH & SIGNAL FLASHER INSTRUCTION

MODELS
ALL

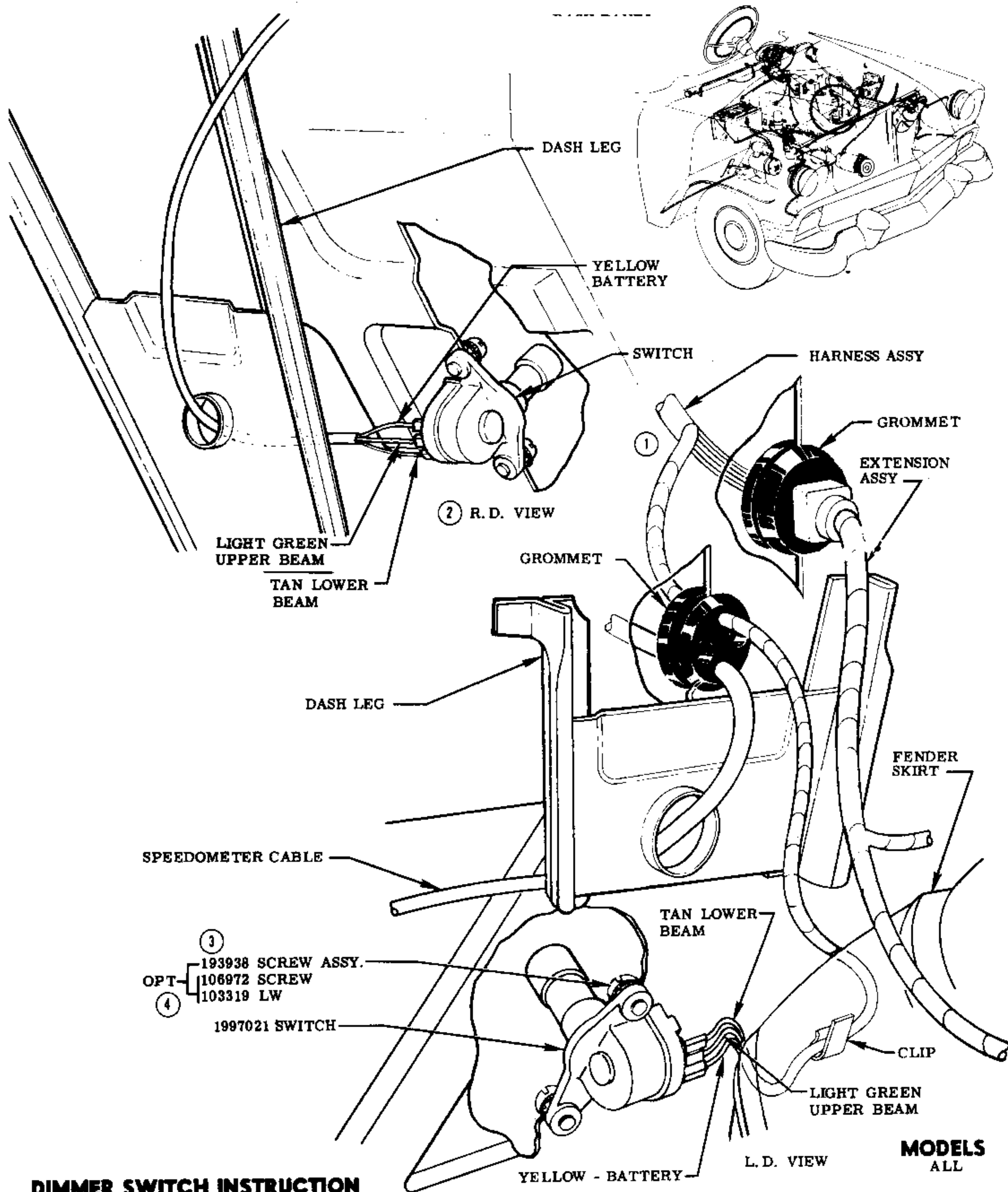
REVISION RECORD					PASSENGER CAR INSTRUCTION MANUAL					
	3	WAS 3712856 & 3712934 OPT & (L.D. ONLY) ADDED	3054 9753		F	REF.	DRAWN	CHECKED F	SECT.	SHEET
12-28-55	2	(L.D. ONLY) ADDED	—			DATE	PART No.		12	11.00
11-7-55	1	VIEW REVISED & NOTE ADDED	—		F	7-25-55	3726600			
DATE	SYM.	REVISION RECORD	AUTH.	DR.	CK.					



BATTERY SUPPORT & CABLE INSTRUCTION

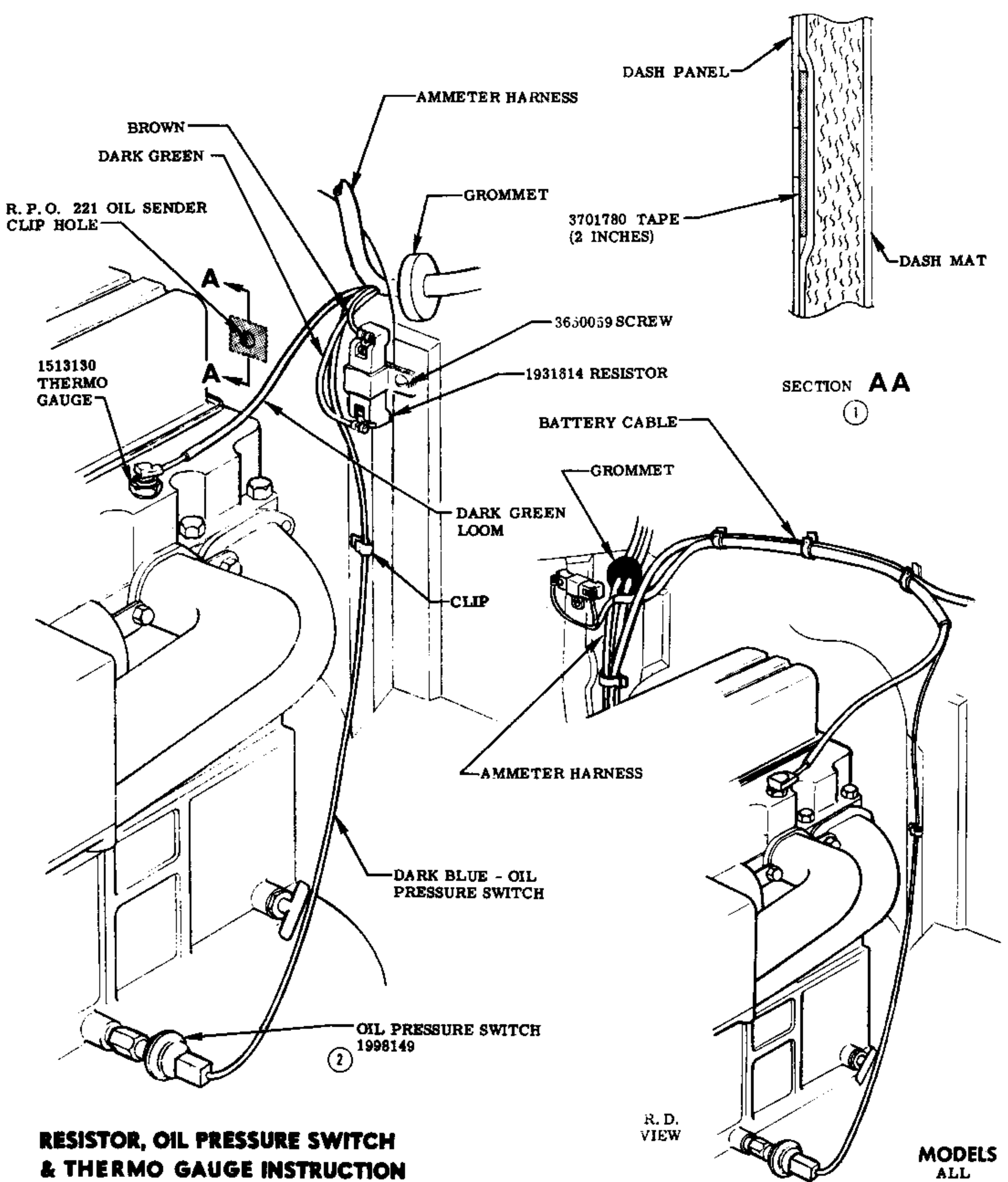
MODELS
ALL

					NAME PASSENGER CAR INSTRUCTION MANUAL				
					REF.	DRAWN	CHECKED F	SECT.	SHEET
10-10-55	1	VIEW ADDED	2984	F	DATE 7-25-55	PART No. 3726600	12	12.00	
DATE	SYM.	REVISION RECORD	AUTH.	DR.	CK.				



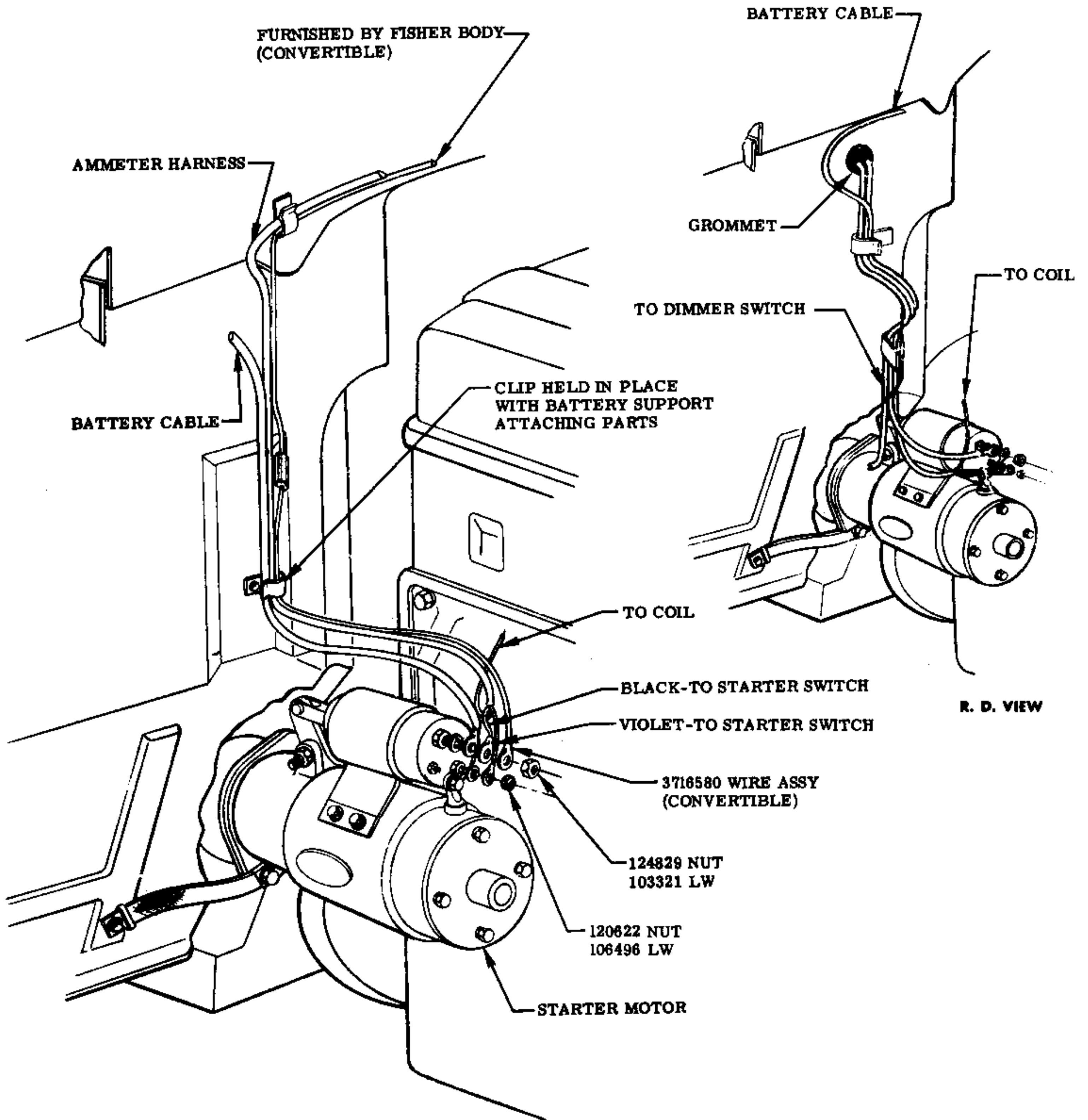
DIMMER SWITCH INSTRUCTION

REVISION RECORD					PASSENGER CAR INSTRUCTION MANUAL						
7-23-56	4	106972-103319 OPT. ADDED	9578		F	REF.	DRAWN	CHECKED	F	SECT.	SHEET
3-6-56	3	WAS 455489	8284		F						
	2	VIEW REVISED			F	DATE	PART No.	3726600	12	13.00	
10-10-55	1	VIEW REVISED	4059								
DATE	SYM.	REVISION RECORD	AUTH.	DR.	CK.	7-25-55					



RESISTOR, OIL PRESSURE SWITCH & THERMO GAUGE INSTRUCTION

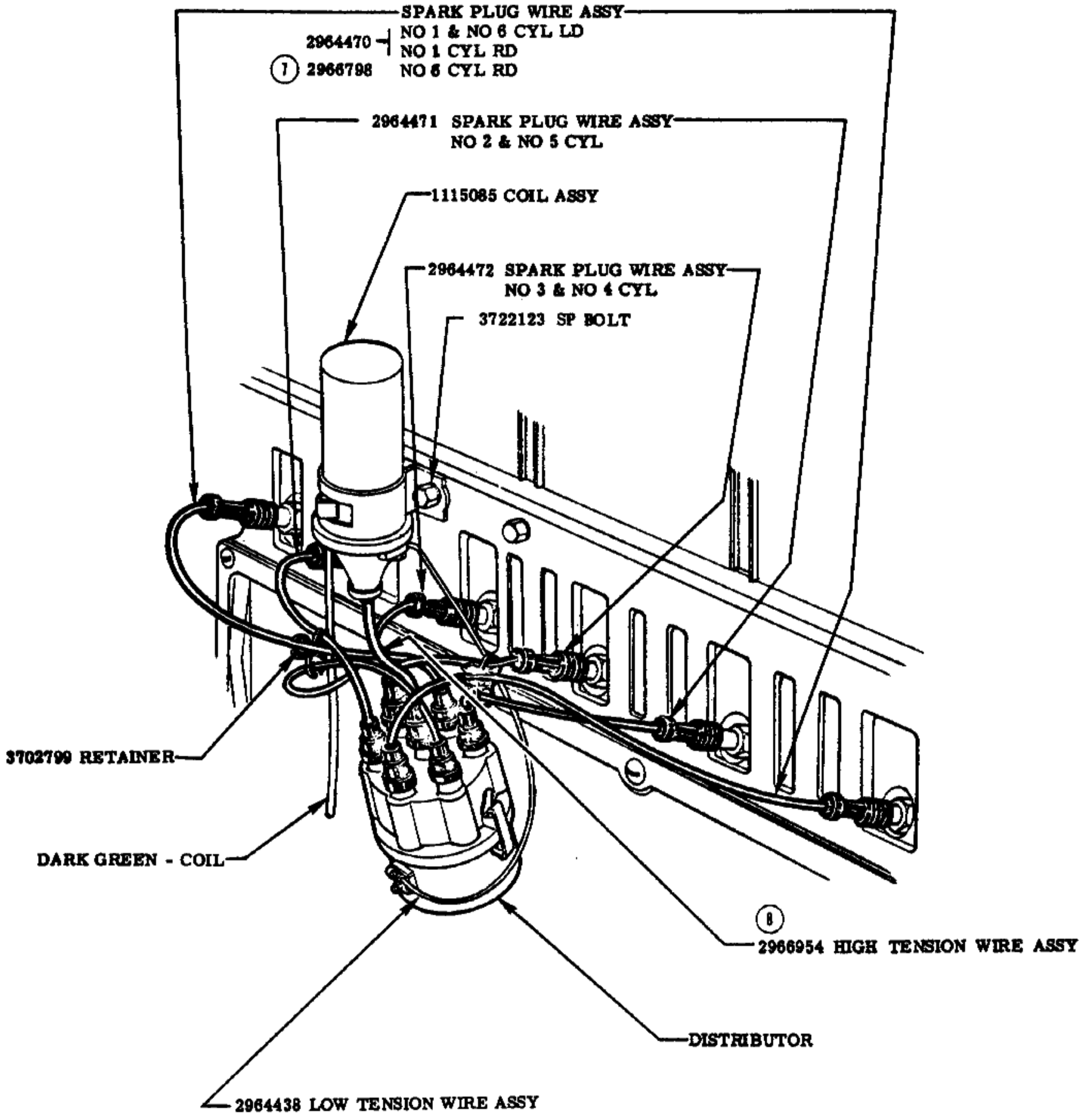
						PASSENGER CAR INSTRUCTION MANUAL				
						REF.	DRAWN	CHECKED	SECT.	SHEET
7-23-56	2	1508425. OPT REMOVED	2236	F				F	12	14.00
1-16-56	1	SECTION ADDED	5546	F						
DATE	SYM.	REVISION RECORD	AUTH.	DR.	CR.	DATE	PART No.			
						7-25-55	3726600			



MODELS
ALL

STARTER MOTOR WIRING INSTRUCTION

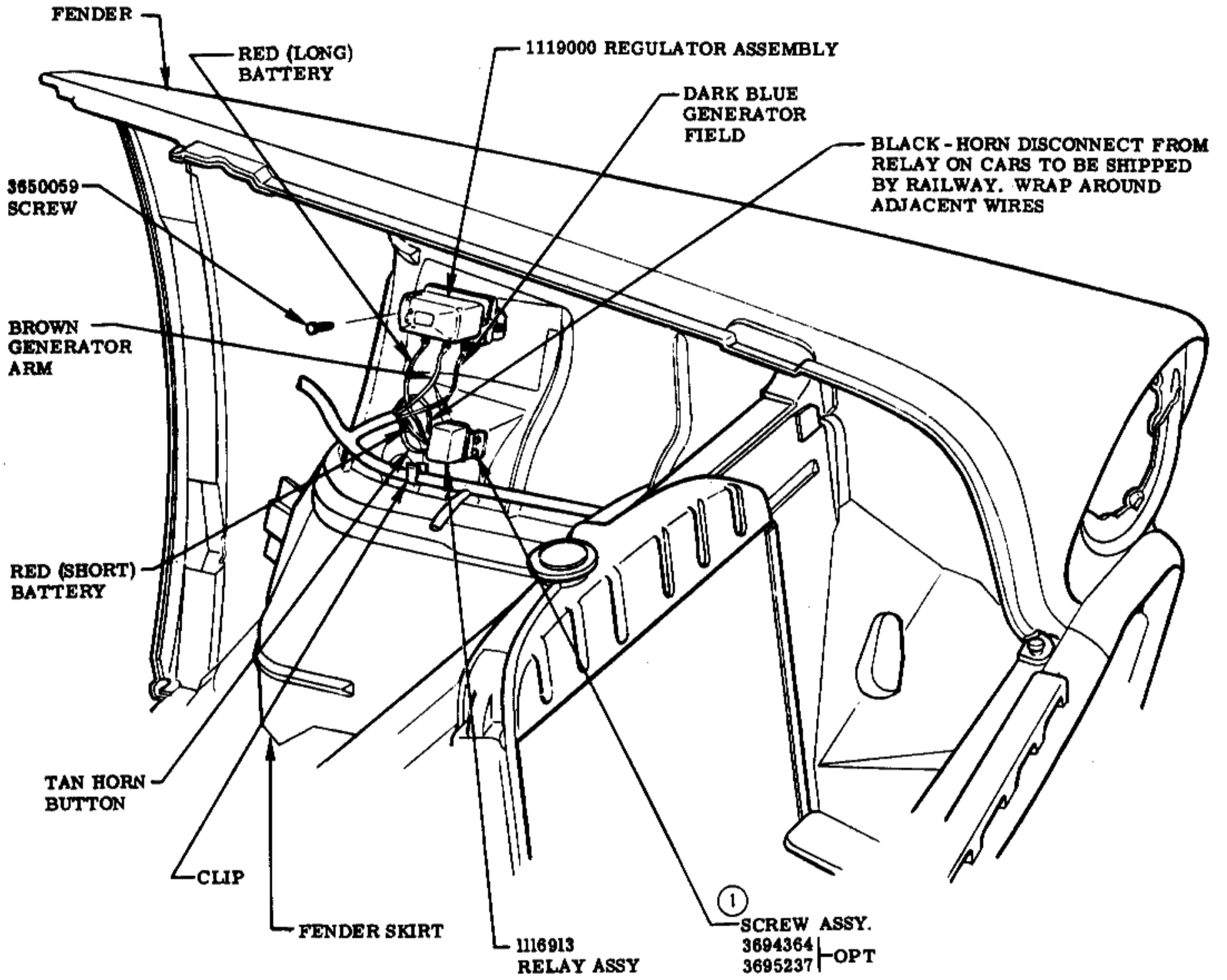
						NAME	PASSENGER CAR INSTRUCTION MANUAL				
						REF.	DRAWN	CHECKED	F	SECT.	SHEET
						DATE	7-25-55	PART No.	3726600	12	15.00
DATE	SYM.	REVISION RECORD	AUTH.	DR.	CK.						



MODELS
ALL

COIL & SPARK PLUG WIRES INSTRUCTION

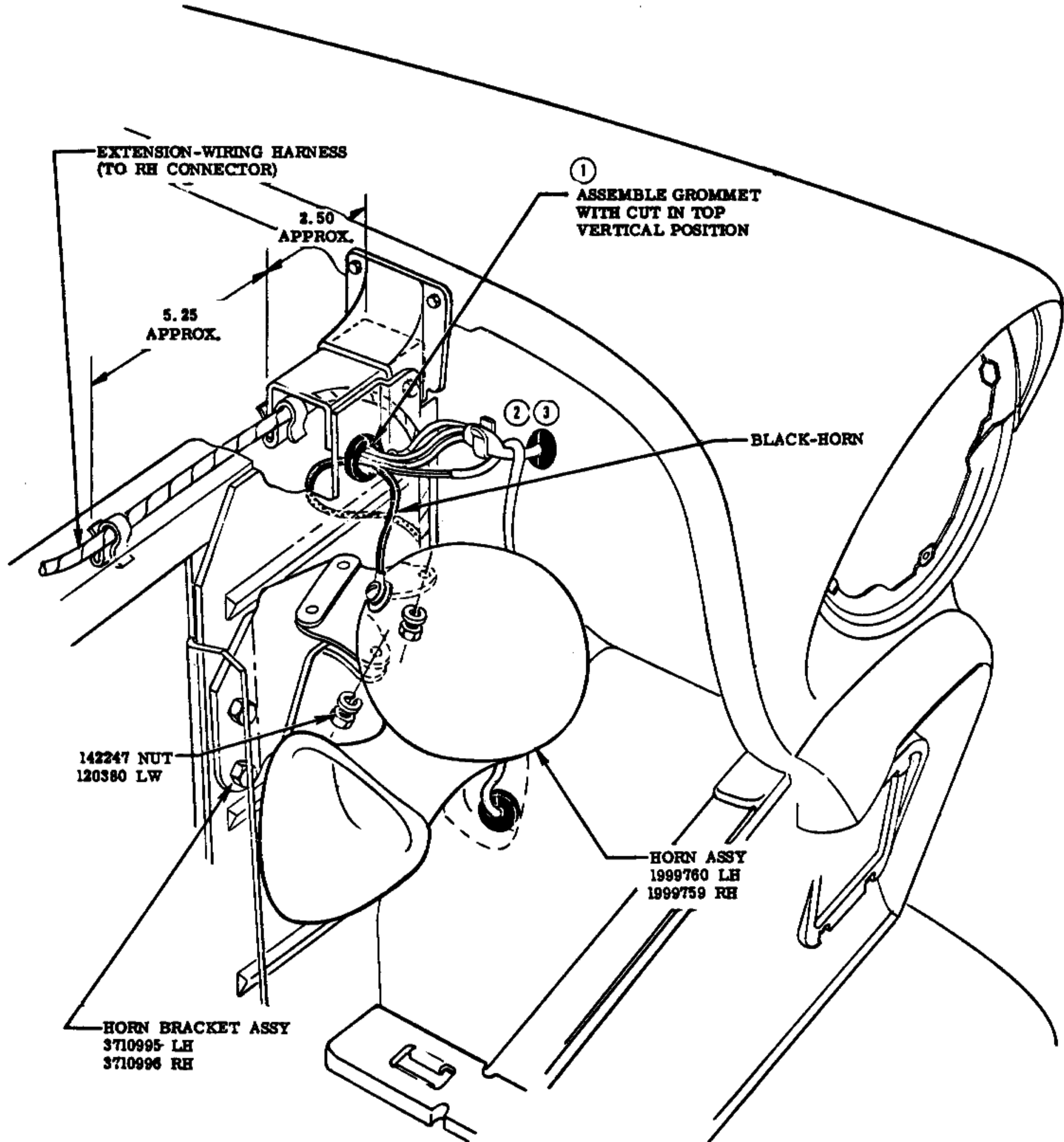
					NAME PASSENGER CAR INSTRUCTION MANUAL					
2-28-56	8	WAS 5298139	7581	F	REF.	DRAWN	CHECKED	F	SECT.	SHEET
	7	WAS 2964666		F						
2-2-56	6	REDRAWN	6303		DATE	PART No.			12	16.00
DATE	SYM.	REVISION RECORD	AUTH.	DR.	CK.	7-25-55	3726600			



VOLTAGE REGULATOR & HORN RELAY INSTRUCTION

MODELS
ALL

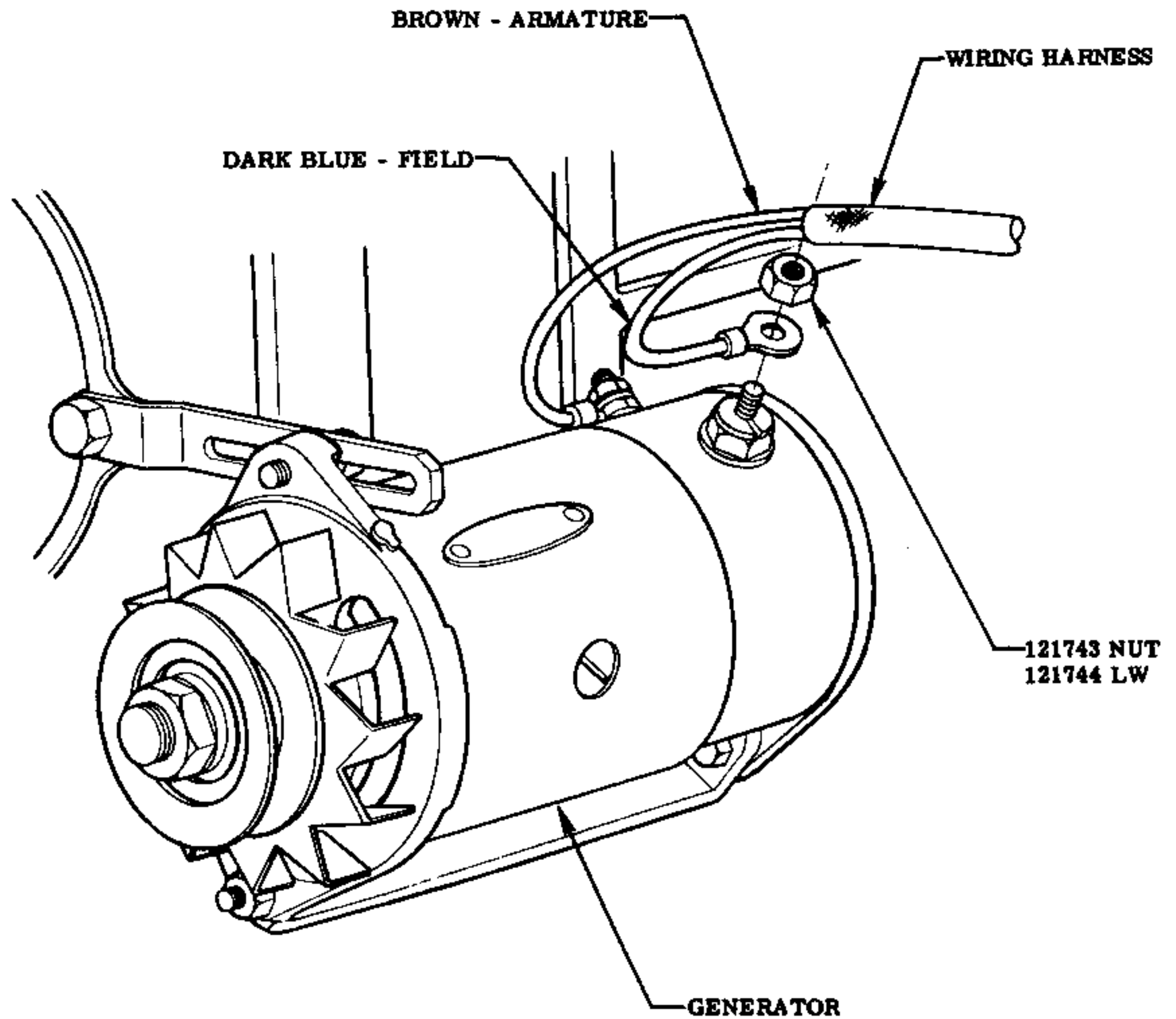
					NAME PASSENGER CAR INSTRUCTION MANUAL				
					REF.	DRAWN	CHECKED F	SECT.	SHEET
					DATE 7-25-55	PART No. 3726600		12	17.00
7-23-56	1	WAS 3650059 SCREW	1140	F					
DATE	SYM.	REVISION RECORD	AUTH.	DR.	CK.				



MODELS
ALL

HORN INSTRUCTION

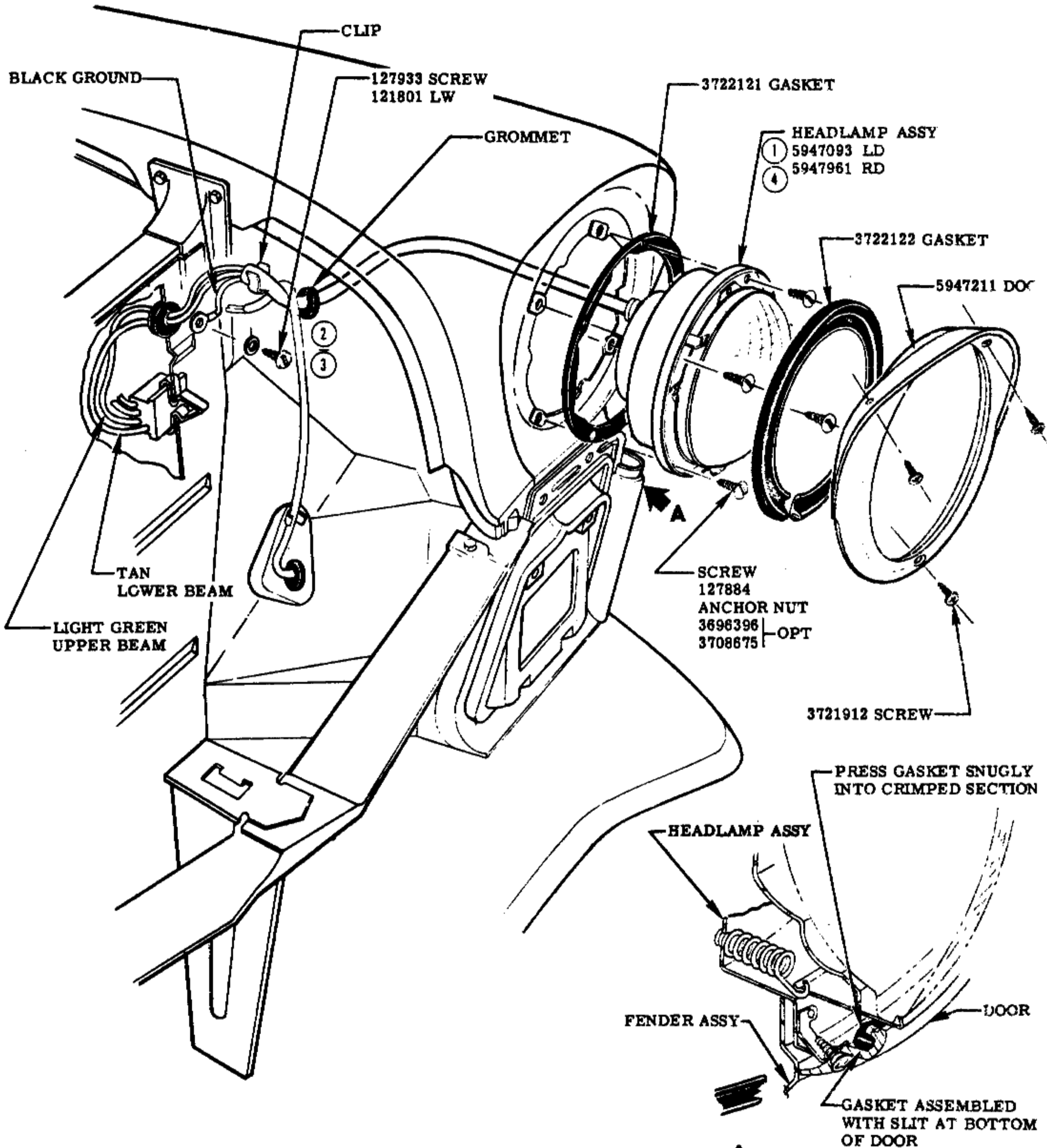
						NAME PASSENGER CAR INSTRUCTION MANUAL				
						REF.	DRAWN	CHECKED F	SECT.	SHEET
DATE	SYM.	REVISION RECORD	AUTH.	DR.	CK.	DATE 7-25-55	PART No. 3726600		12	18.00
2-8-56	3	WIRE RE-ROUTED	7332	V	F					
12-28-55	2	WIRE RE-ROUTED	5285		F					
10-26-55	1	NOTE ADDED	4754		F					



MODELS
ALL

GENERATOR WIRING INSTRUCTION

						NAME PASSENGER CAR INSTRUCTION MANUAL				
						REF.	DRAWN	CHECKED F	SECT.	SHEET
									12	19.00
						DATE 7-25-55	PART No. 3726600			
DATE	SYM.	REVISION RECORD	AUTH.	DR.	CK.					



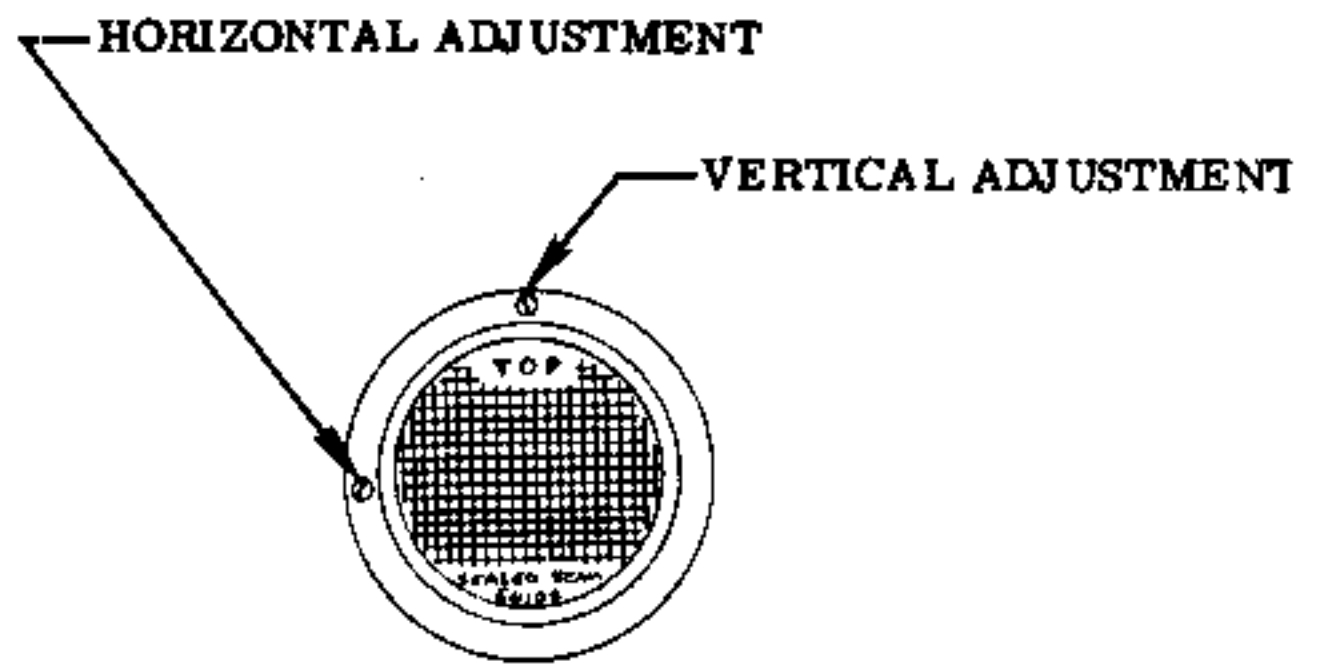
VIEW A
SECTION VIEW THROUGH HEADLAMP
IN ASSEMBLED POSITION

MODELS
ALL

HEADLAMP INSTRUCTION

2-15-56	4	WAS 5947207	6866		F	NAME PASSENGER CAR INSTRUCTION MANUAL				
2-8-56	3	WIRE RE-ROUTED	7332	V	F	REF.	DRAWN	CHECKED F	SECT.	SHEET
	2	WIRE RE-ROUTED	5285		F					
12-28-55	1	WAS 5947094 & 5947205	5788		F	DATE 7-25-55	PART No. 3726600		12	20.00
10-26-55		L. D. OPT. IN PAIRS	3618							
DATE	SYM.	REVISION RECORD	AUTH.	DR.	CK.					

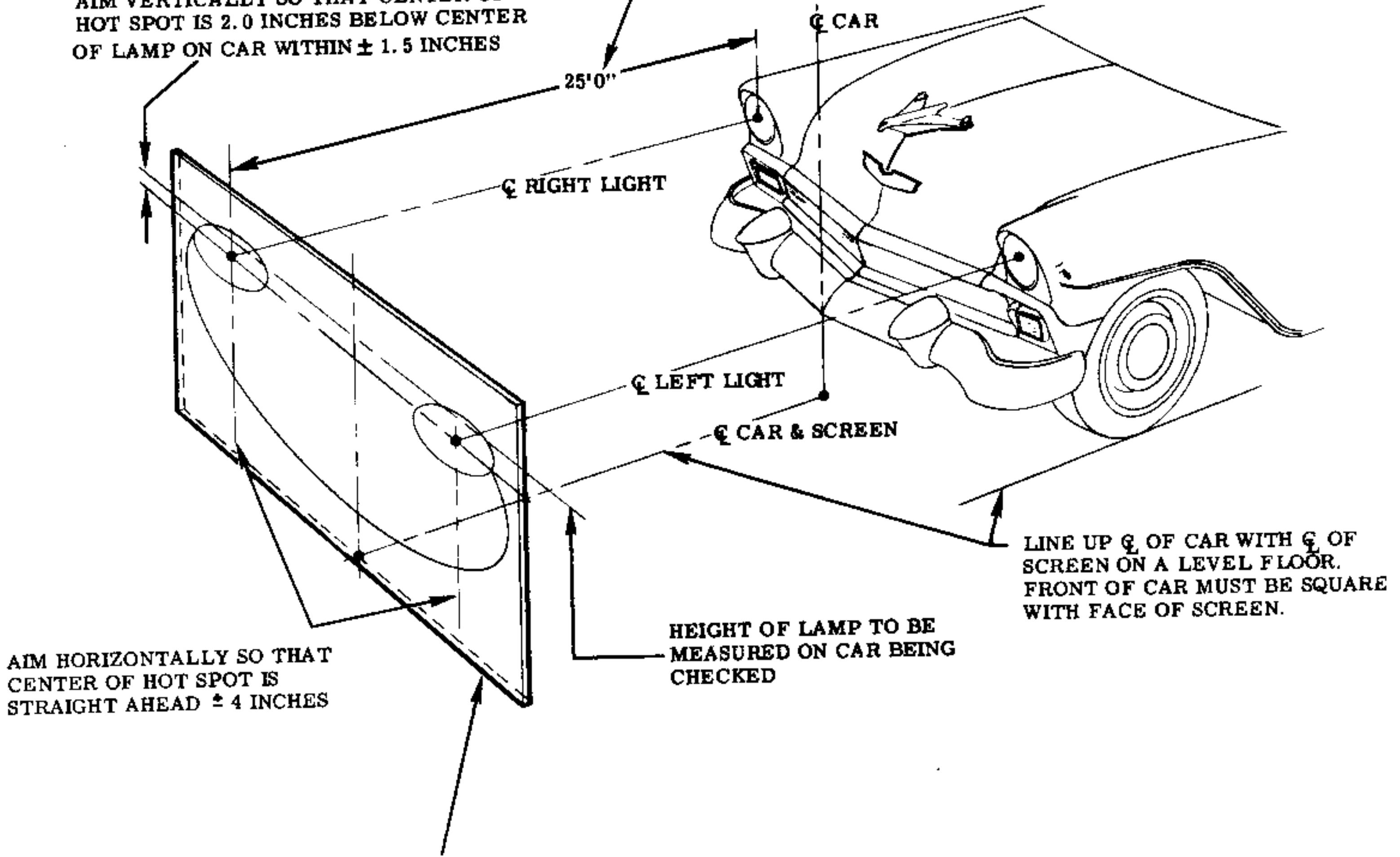
BEAM AIM SHALL BE CHECKED WITH NO LOAD IN THE VEHICLE OTHER THAN THE DRIVER IN THE FRONT SEAT
 ADJUSTMENTS TO BE MADE WITH UPPER BEAM ON. EACH LAMP AIMED INDEPENDENTLY WITH OTHER LAMP COVERED



MAKE ADJUSTMENTS BEFORE ASSEMBLING LAMP DOORS

THIS DIM MUST BE HELD FROM FRONT OF HEADLAMP TO FRONT FACE OF SCREEN

AIM VERTICALLY SO THAT CENTER OF HOT SPOT IS 2.0 INCHES BELOW CENTER OF LAMP ON CAR WITHIN ± 1.5 INCHES

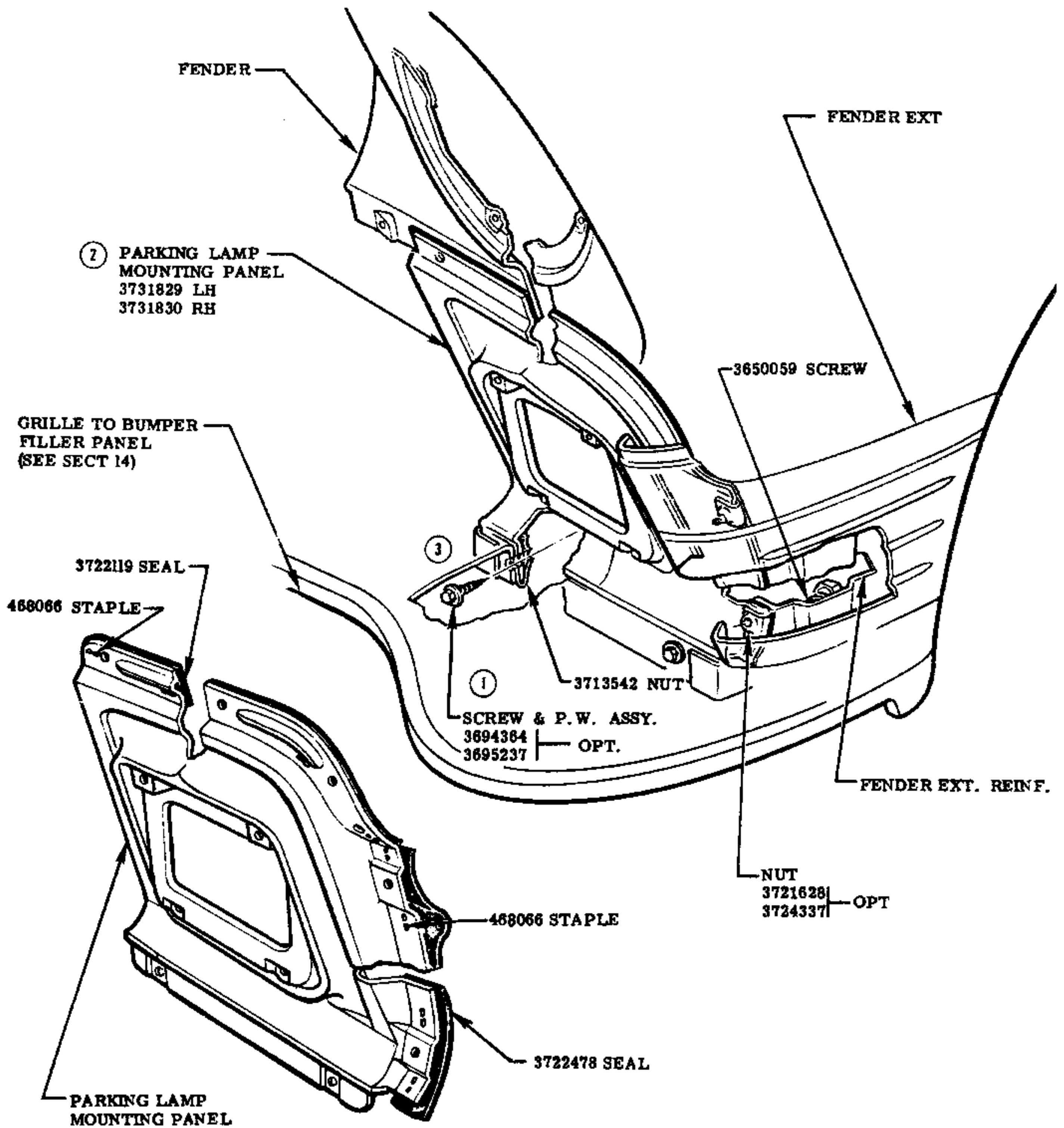


SCREEN IS TO BE PAINTED FLAT WHITE WITH BLACK LINES. SCREEN MUST BE SHIELDED FROM OUT SIDE LIGHT, ENOUGH TO ALLOW LINES TO BE CLEARLY SEEN

MODELS
ALL

HEADLAMP ADJUSTING INSTRUCTION

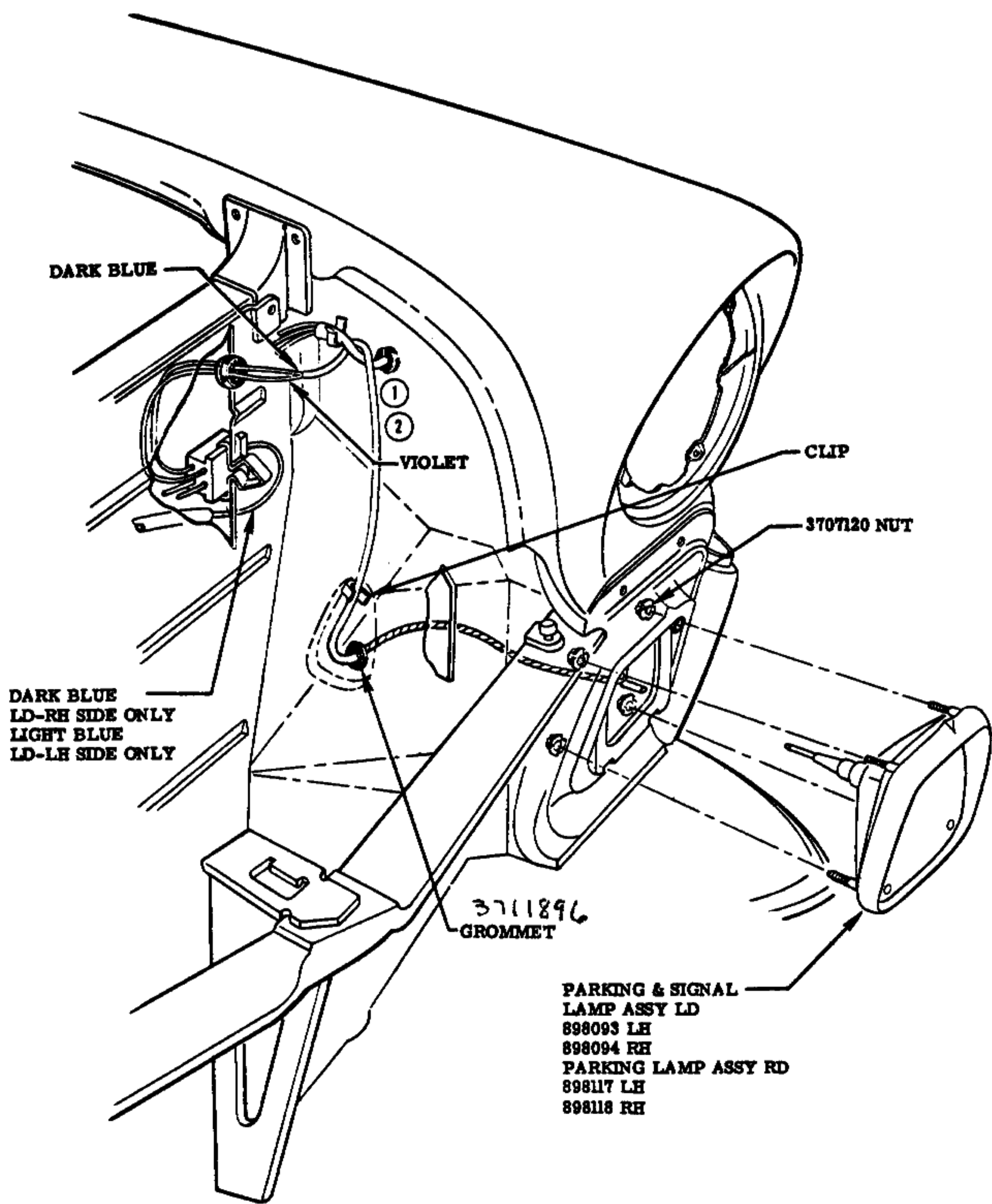
						NAME PASSENGER CAR INSTRUCTION MANUAL				
						REF.	DRAWN JB	CHECKED F	SECT.	SHEET
									12	21.00
DATE	SYM.	REVISION RECORD	AUTH.	DR.	CK.	DATE 7-25-55	PART No. 3726600			



PARKING LAMP MOUNTING PANEL INSTRUCTION

MODELS
ALL

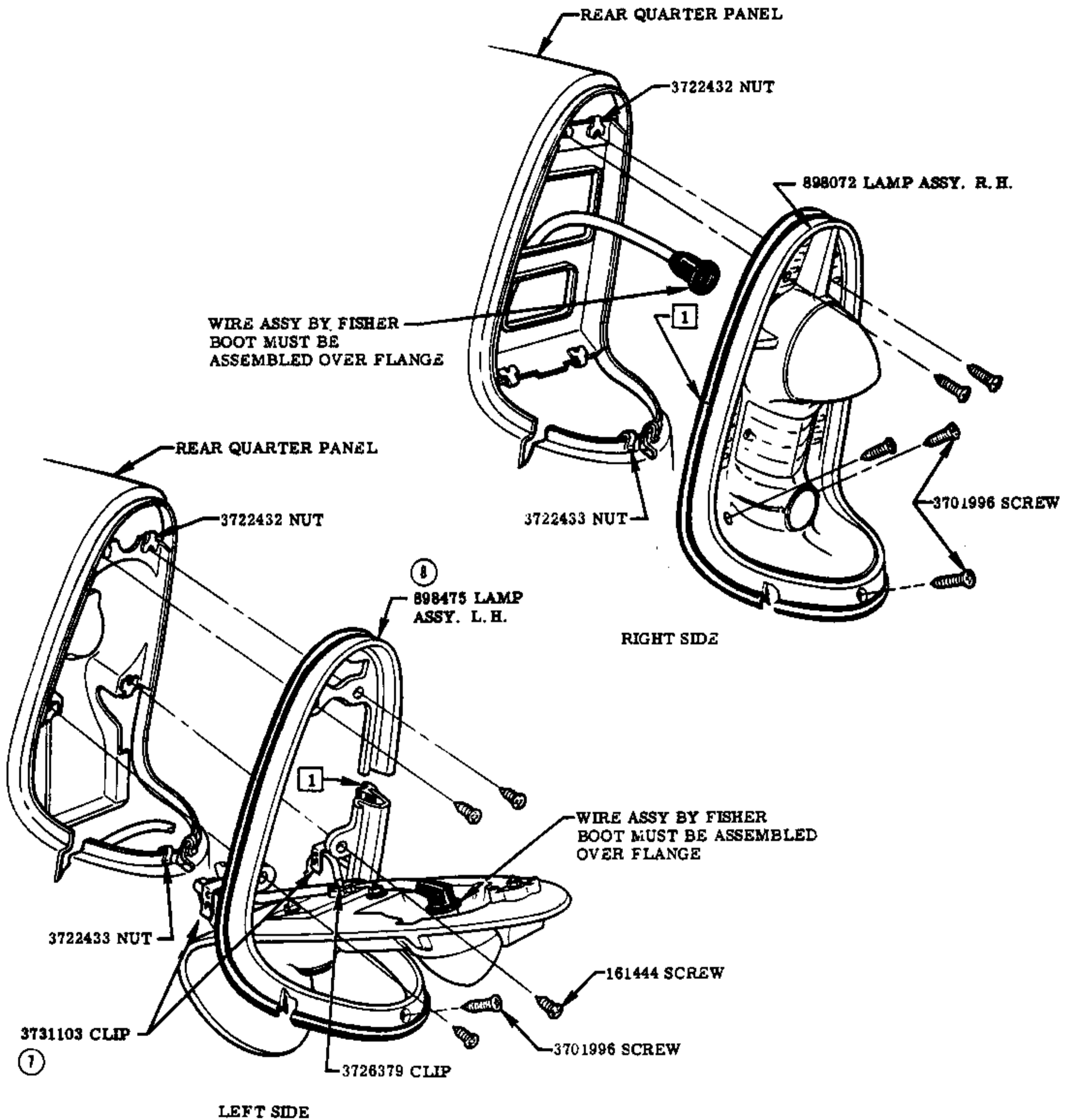
						PASSENGER CAR INSTRUCTION MANUAL				
DATE	SYM.	REVISION RECORD	AUTH.	DR.	CK.	NAME	DRAWN	CHECKED	SECT.	SHEET
3-12-56	3	DIRECTION OF SCREW & P.W. ASSY. AND NUT REVERSED			F			F		
	2	WAS 3720989 LH & 3720990 RH	5049		F					
12-28-55	1	WAS 3650059 SCREW	5446							
						DATE	PART No.		12	22.00
						7-25-55	3726600			



PARKING & SIGNAL LAMP INSTRUCTION

MODELS
ALL

						NAME PASSENGER CAR INSTRUCTION MANUAL				
						REF.	DRAWN	CHECKED F	SECT.	SHEET
2-8-56	2	WIRE RE-ROUTED	7332	V	F	DATE 7-25-55	PART No. 3726600		12	23.00
12-28-55	1	WIRE RE-ROUTED	5285		F					
DATE	SYM.	REVISION RECORD	AUTH.	DR.	CK.					

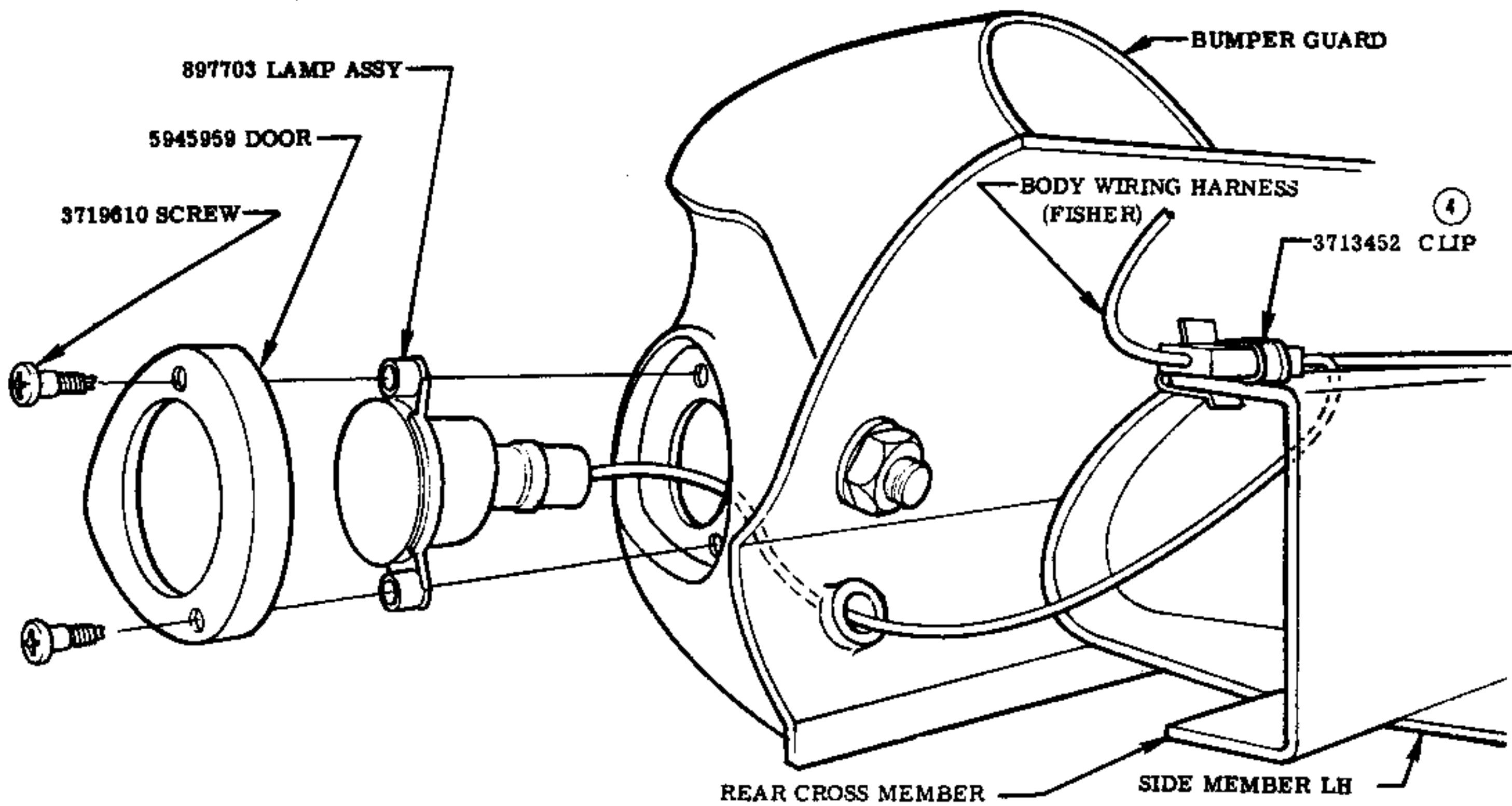


1 760940 SEAL
ASSEMBLE JOINT OF SEAL TO INSIDE VERTICAL
SECTION OF LAMP ASSY.

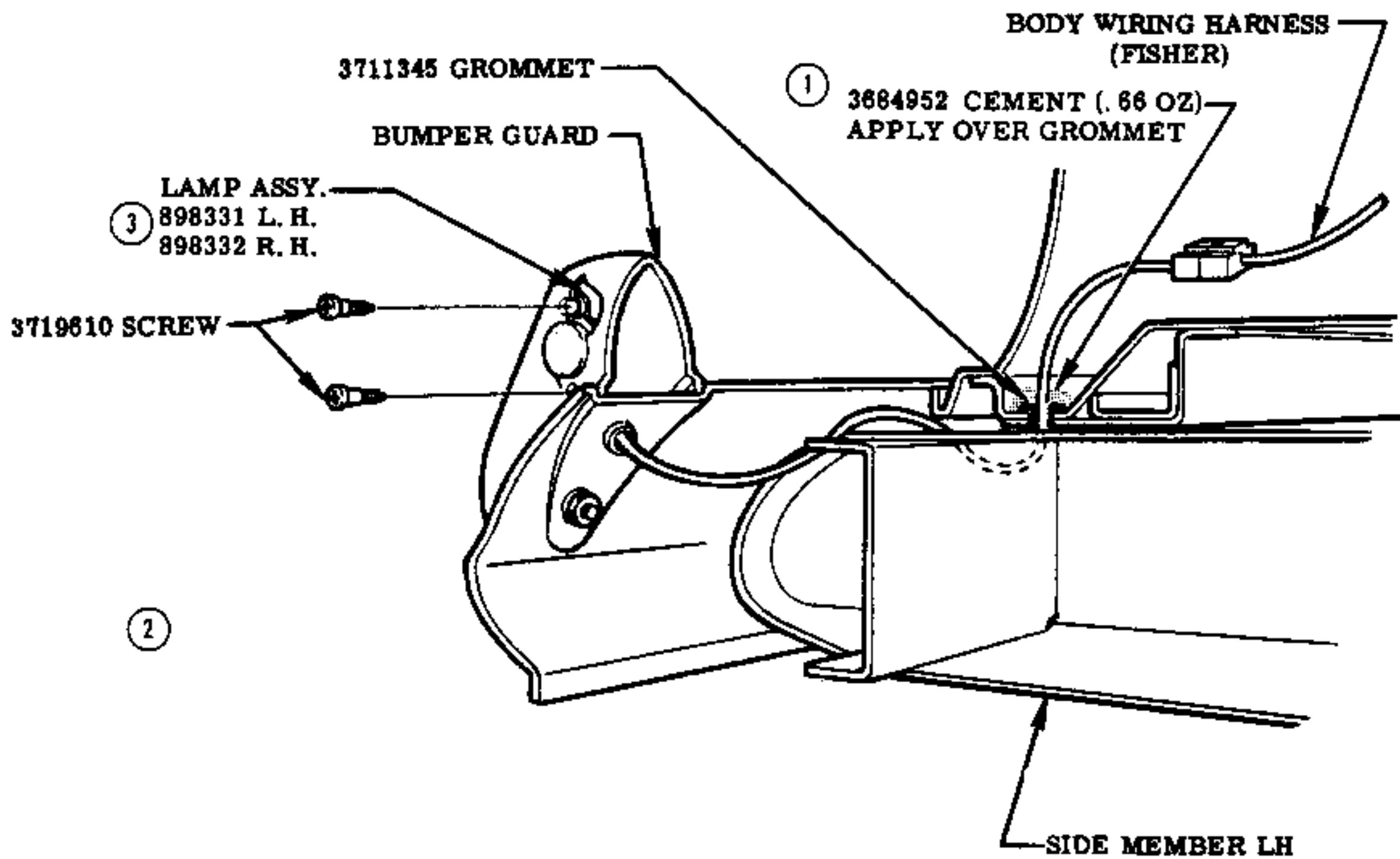
TAIL & STOP LAMP INSTRUCTION

MODELS
ALL

					PASSENGER CAR INSTRUCTION MANUAL				
					NAME				
	8	WAS 898071 L. H.	7772	F	REF.	DRAWN	CHECKED	SECT.	SHEET
	7	NOTE REMOVED					F		
3-22-56	6	REDRAWN	7839		DATE	PART No.		12	24.00
DATE	SYM.	REVISION RECORD	AUTH.	DR.	7-25-55	3726600			



SEDAN DELIVERY & STATION WAGON

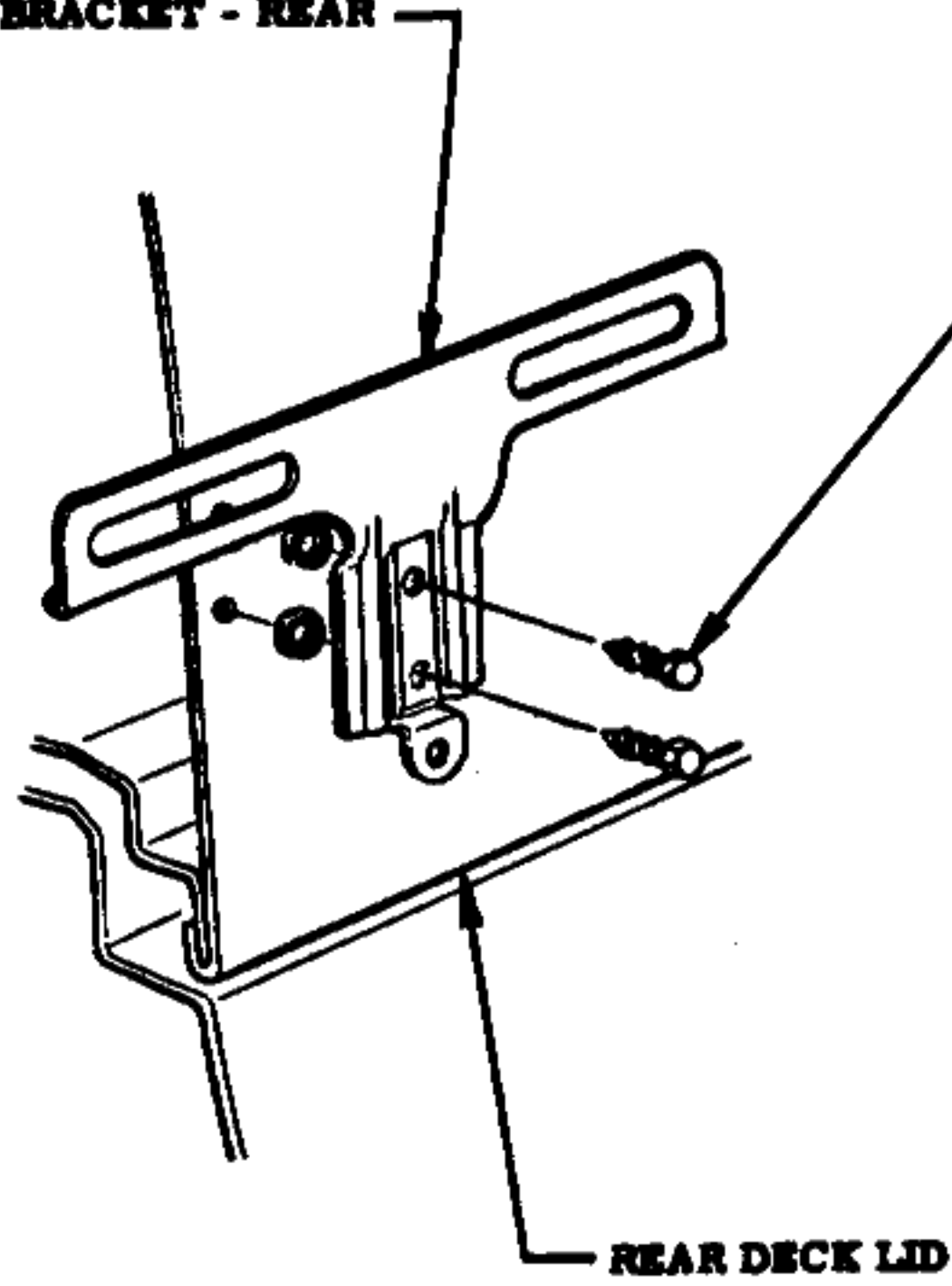


LICENSE PLATE LAMP INSTRUCTION

MODELS
ALL

REVISION RECORD					PASSENGER CAR INSTRUCTION MANUAL					
DATE	SYM.	REVISION RECORD	AUTH.	DR.	CK.	NAME	DRAWN	CHECKED	SECT.	SHEET
1-9-56	4	WAS 451314 & RELOCATED	5855		F					
	3	WAS 898057 L. H., 898058 R. H.	5241		F					
	2	3686821 REMOVED - IN ERROR								
11-21-55	1	PART ADDED	4937			DATE 7-25-55	PART No. 3726600		12	25.00
								F		

3711166 BRACKET - REAR



①

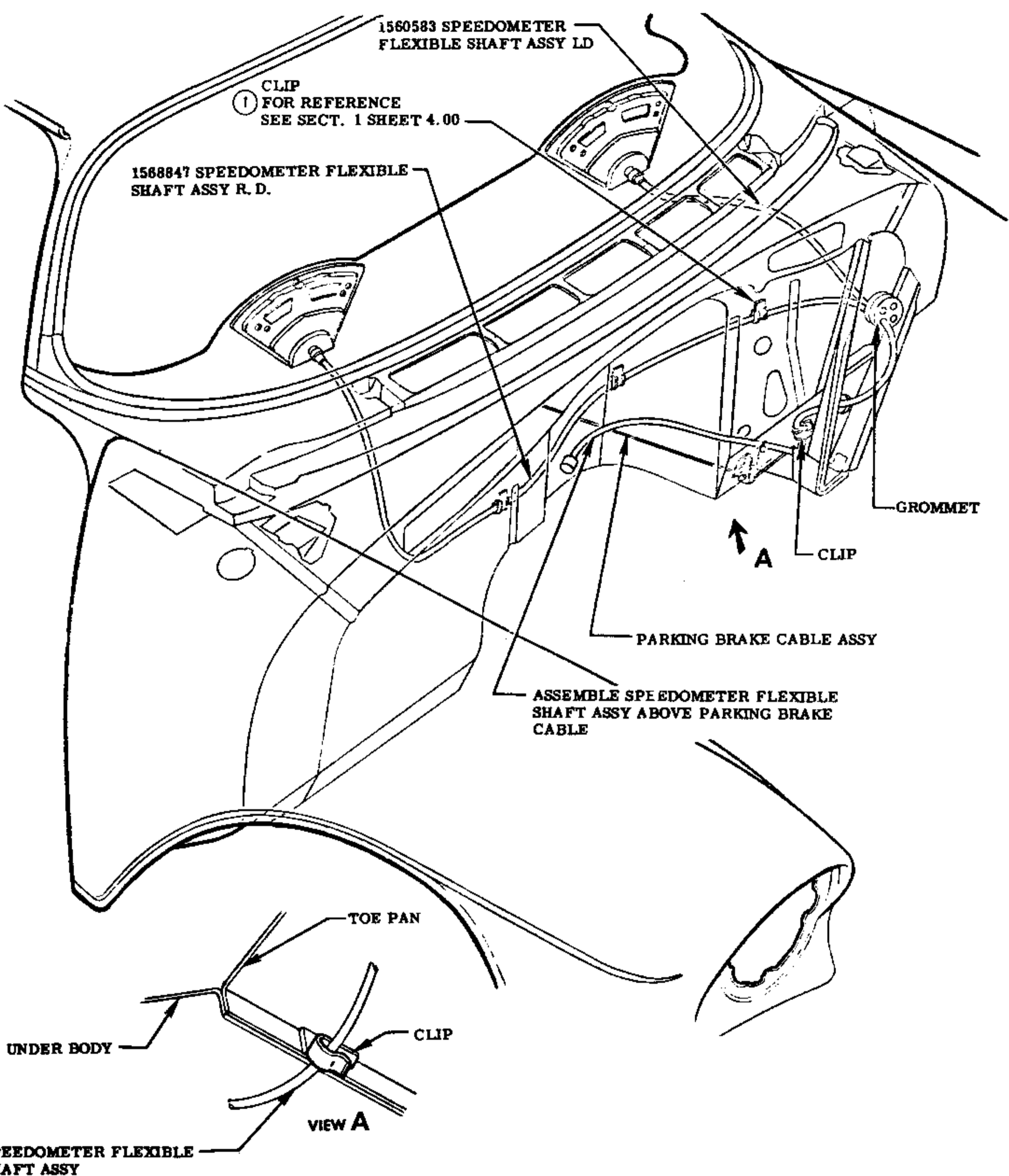
3659780 SCREW
3662988 WASHER

REAR DECK LID

LICENSE PLATE BRACKET INSTRUCTION

**MODELS
ALL EXCEPT
SEDAN DELIVERY & STATION WAGON**

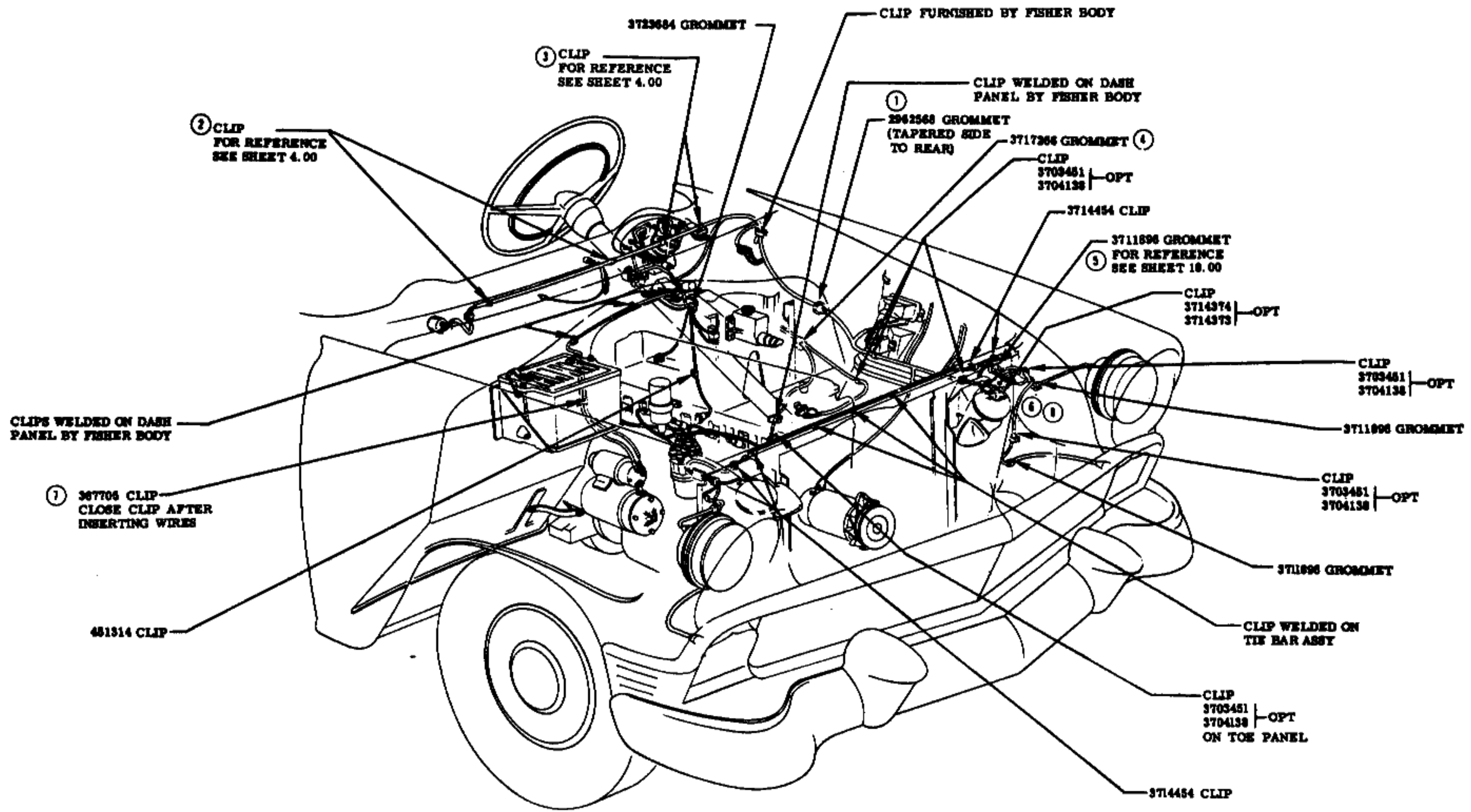
					NAME	PASSENGER CAR INSTRUCTION MANUAL			
					REF.	DRAWN	CHECKED	SECT.	SHEET
							F		
2-2-56	1	3659780 WAS 3650059	7311	F	DATE	PART No.		12	26.00
DATE	SYM.	REVISION RECORD	AUTH.	DR.	7-25-55	3726600			



SPEEDOMETER SHAFT INSTRUCTION

**MODELS
ALL**

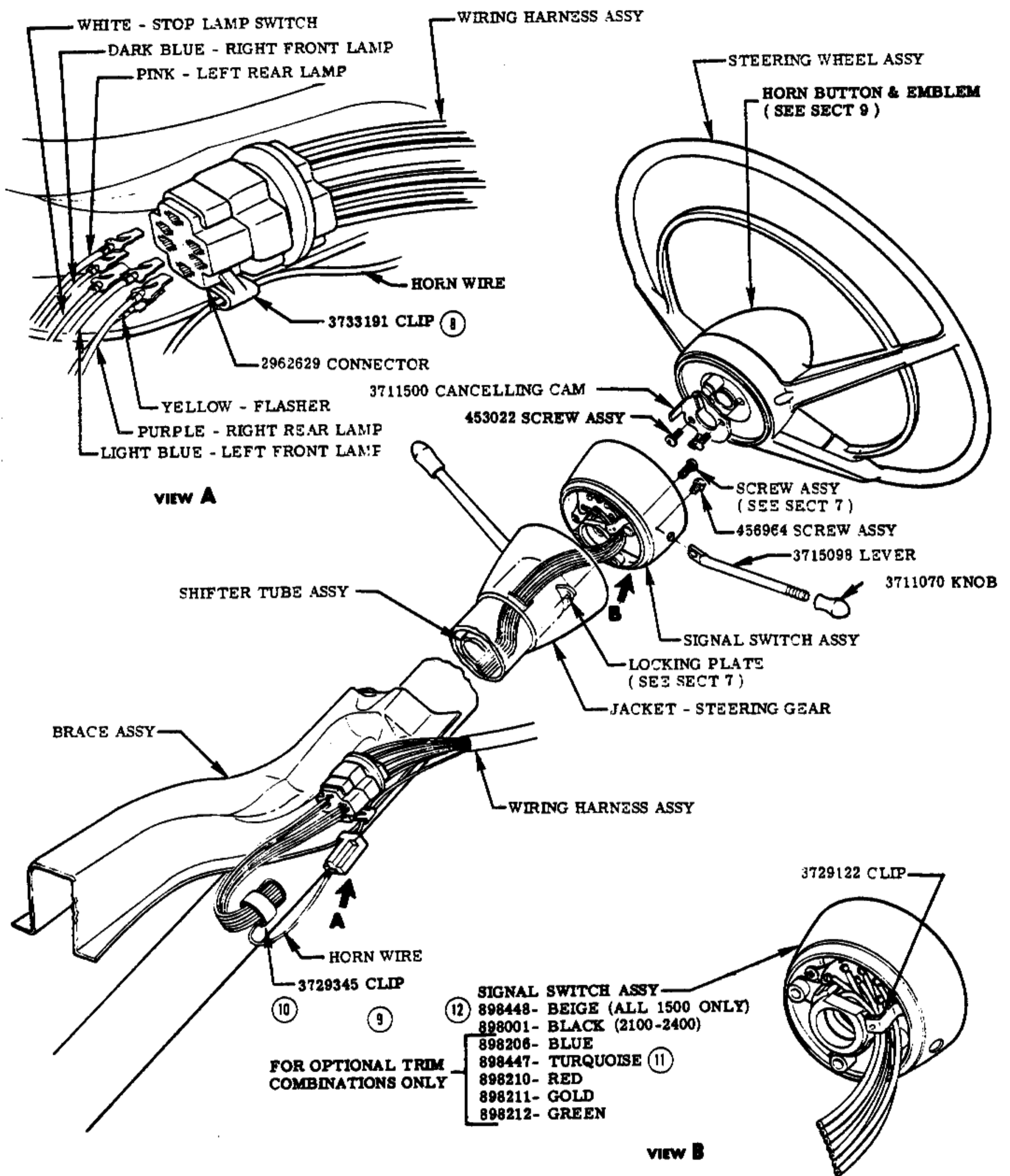
					NAME PASSENGER CAR INSTRUCTION MANUAL				
					REF.	DRAWN	CHECKED F	SECT.	SHEET
11-7-55	1	NOTE ADDED	4491	F	DATE 7-25-55	PART No. 3726600		12	27.00
DATE	SYM.	REVISION RECORD	AUTH.	DR. CK.					



CLIP & GROMMET LOCATION INSTRUCTION

MODELS
ALL LD

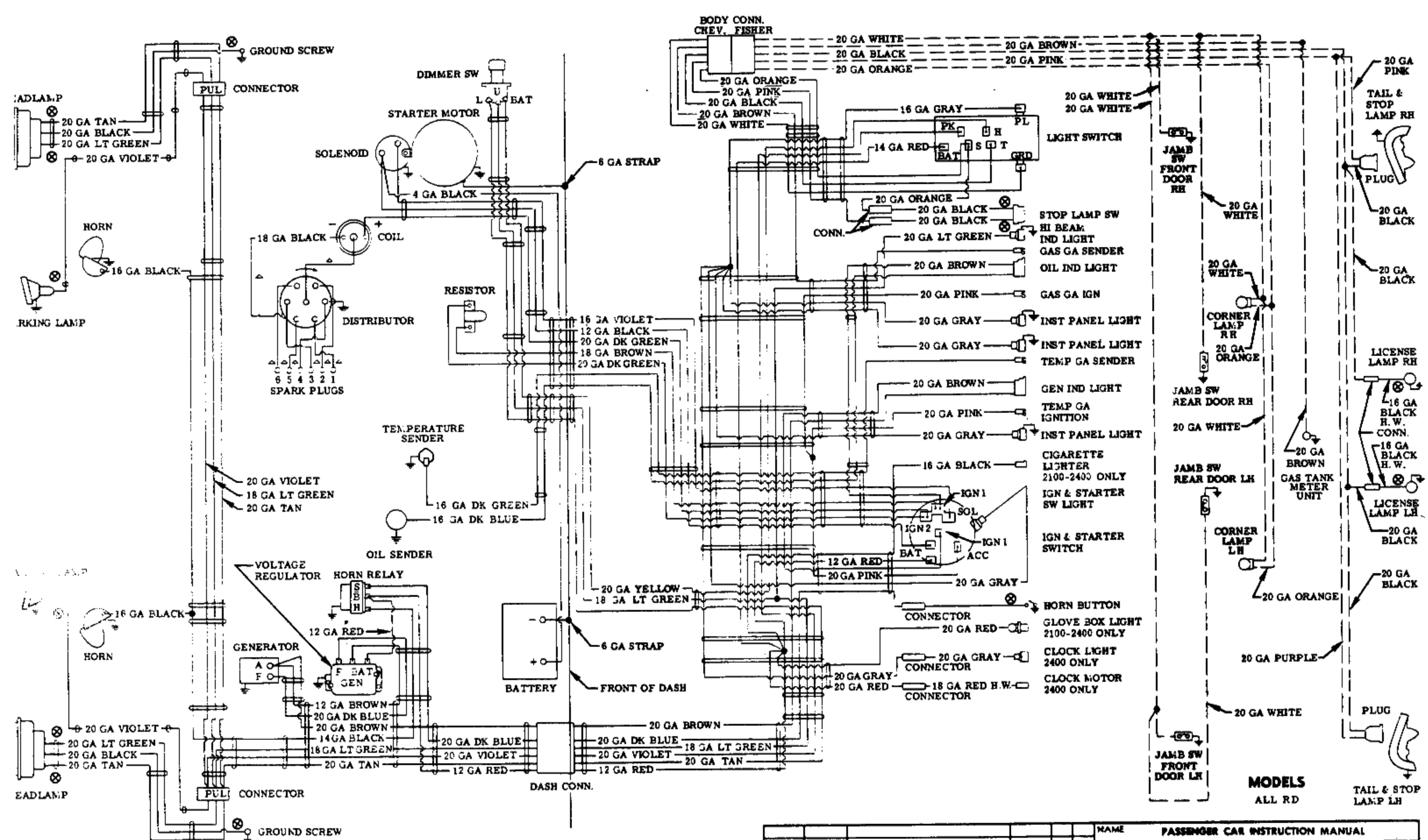
DATE	SYM.	REVISION RECORD	AUTH.	DR.	CK.	DATE	SYM.	REVISION RECORD	AUTH.	DR.	CK.	NAME	REF.	DRAWN	CHECKED	SECT.	SHEET
						5		NOTE ADDED				PASSENGER CAR INSTRUCTION MANUAL					
						4		WAS 3718523	4754								
2-8-55	8	WIRE RE-ROUTED	7332	V	F	3		3724310 RMVD. & NOTE ADDED	4059								
	7	WAS 370540 & NOTE ADDED	6227		F	2		3724309 RMVD. & NOTE ADDED									
12-28-55	6	WIRE RE-ROUTED	5285			1		PART ADDED	5788							12	28.00
												DATE	T-25-55	PART No.	3726600		



MODELS
ALL LD

SIGNAL SWITCH INSTRUCTION

	12	898448 WAS 898318			F	NAME	PASSENGER CAR INSTRUCTION MANUAL			
2-22-56	11	898447 WAS 898209	6657				REF.	DRAWN	CHECKED	SECT.
	10	PART ADDED		V	F	DATE	PART No.		12	30.00
	9	NOTE REMOVED	5642			7-25-55	3726600			
	8	WAS 3724948								
2-2-56	7	REDRAWN	5964							
DATE	SYM.	REVISION RECORD	AUTH.	DR.	CK					



WIRING DIAGRAM

- GENERAL NOTES**
1. WIRES MARKED -- ARE FURNISHED WITH BODY
 2. WIRES MARKED △ ARE NOT PART OF A WIRING HARNESS ASSY.
 3. WIRE SPLICE INDICATED BY A ⊕
 4. WIRES MARKED ⊗ ARE SUPPLIED WITH EQUIPMENT.

NAME					PASSENGER CAR INSTRUCTION MANUAL					
REF.					DRAWN		CHECKED		SECT.	
DATE					PART No.		12		32.00	
DATE	SYM.	REVISION RECORD	AUTH.	DR.	CL.	9-2-55	3726600			

HEADER, UPPER, OUTER &
LOWER BAR INSTRUCTION
SHEET 5.00

TIE BAR TO FENDER
& SUPPORT INSTRUCTION
SHEET 3.00

GRILLE INSTRUCTION
SHEET 7.00

RADIATOR TO SUPPORT
INSTRUCTION
SHEET 2.00

GRILLE SPACER &
REINF. INSTRUCTION
SHEET 6.00

RADIATOR SUPPORT TO
FRAME INSTRUCTION
SHEET 4.00

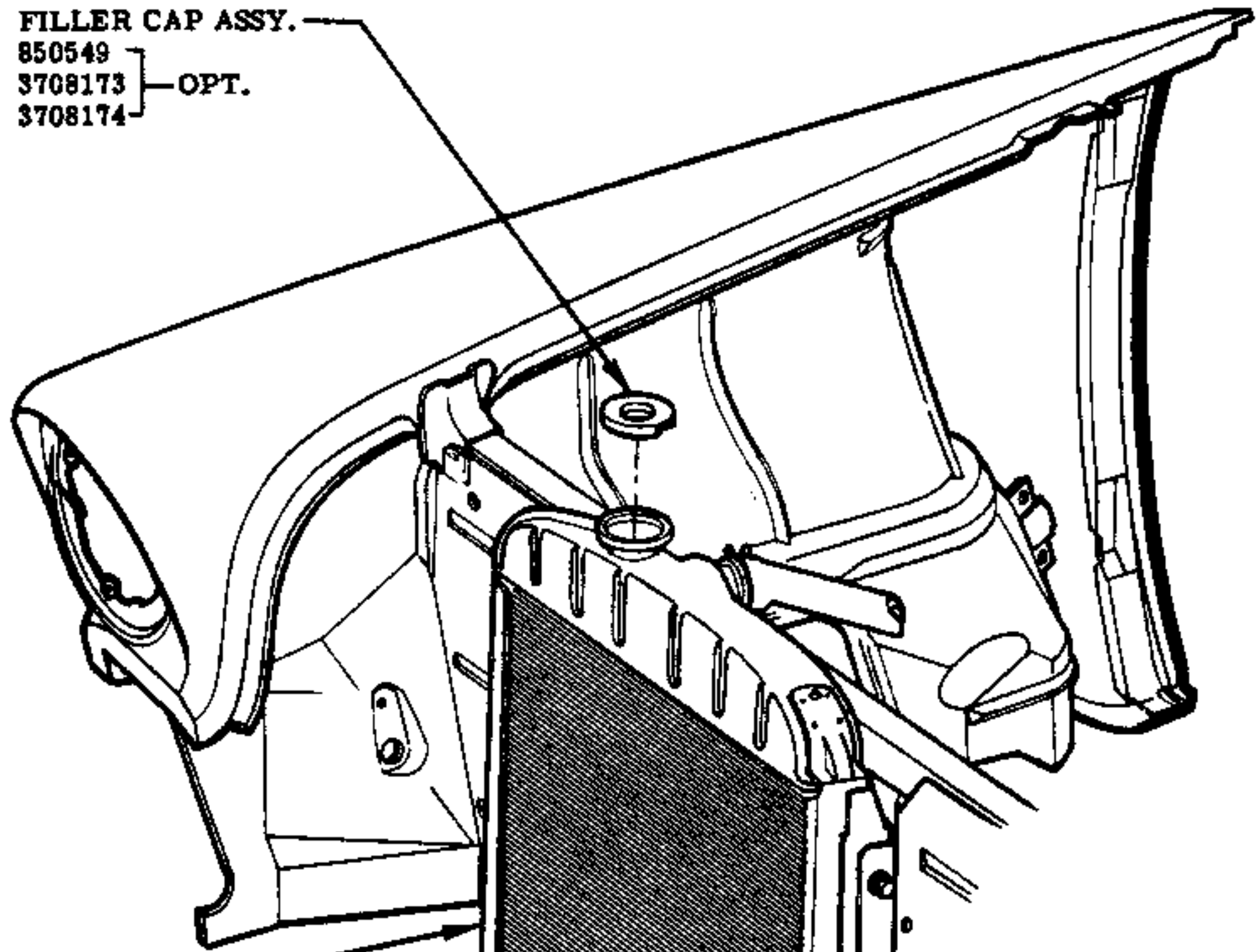
MODELS
ALL

RADIATOR & GRILL INSTRUCTION

						NAME	PASSENGER CAR INSTRUCTION MANUAL				
						REF.	DRAWN	CHECKED	F	SECT.	SHEET
						DATE	7-25-55	PART No.	3726600	13	1.00
DATE	SYM.	REVISION RECORD		AUTH.	DR.	CK.					

FILLER CAP ASSY.

850549
3708173 } -OPT.
3708174



3133042 RADIATOR BODY ASSY.

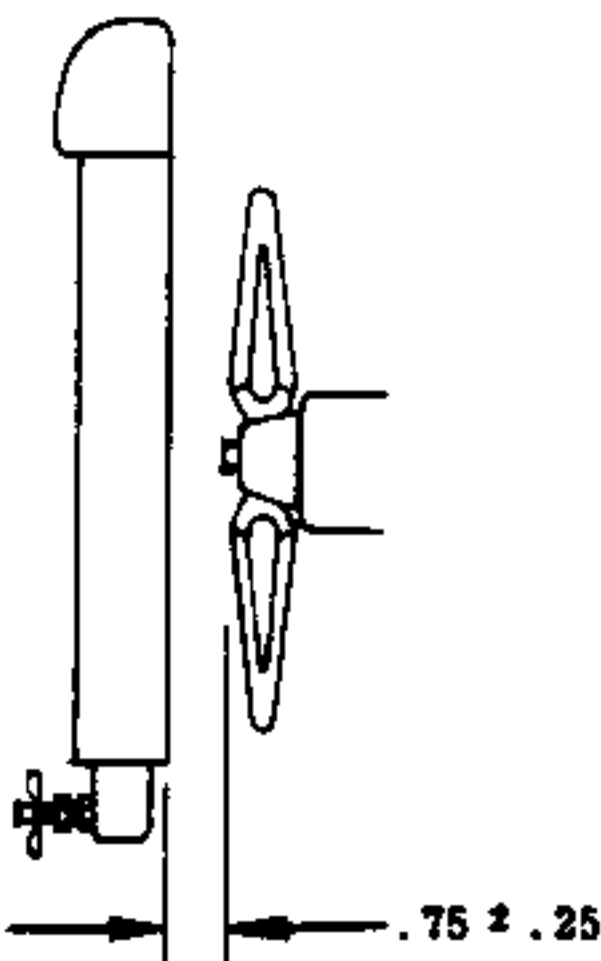
3719518 DRAIN COCK

3709488 SHIM
AS REQUIRED

RADIATOR SUPPORT ASSY.

③ SCREW
3736570 } -OPT. ①
② 273890

BAFFLE ASSY.

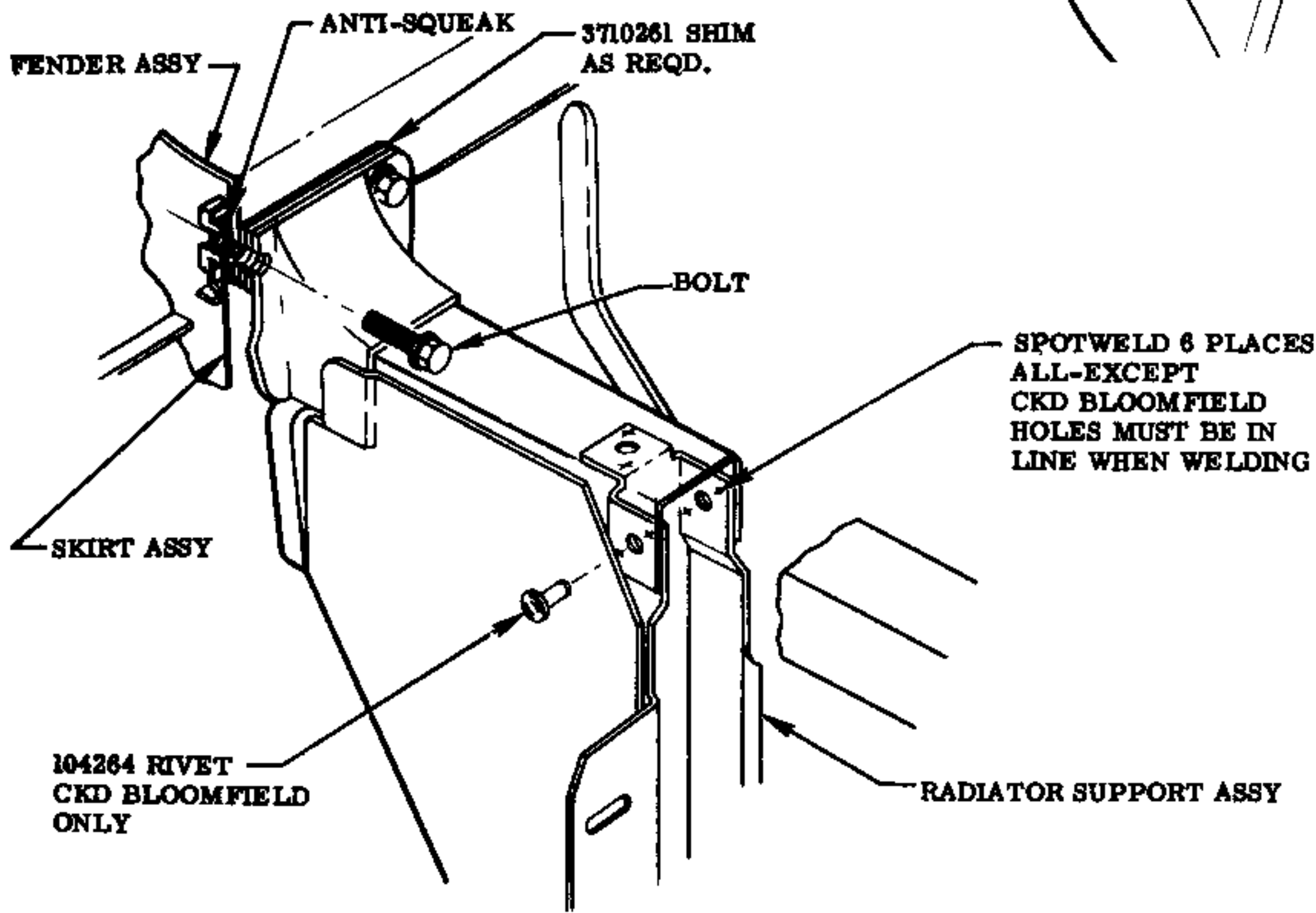
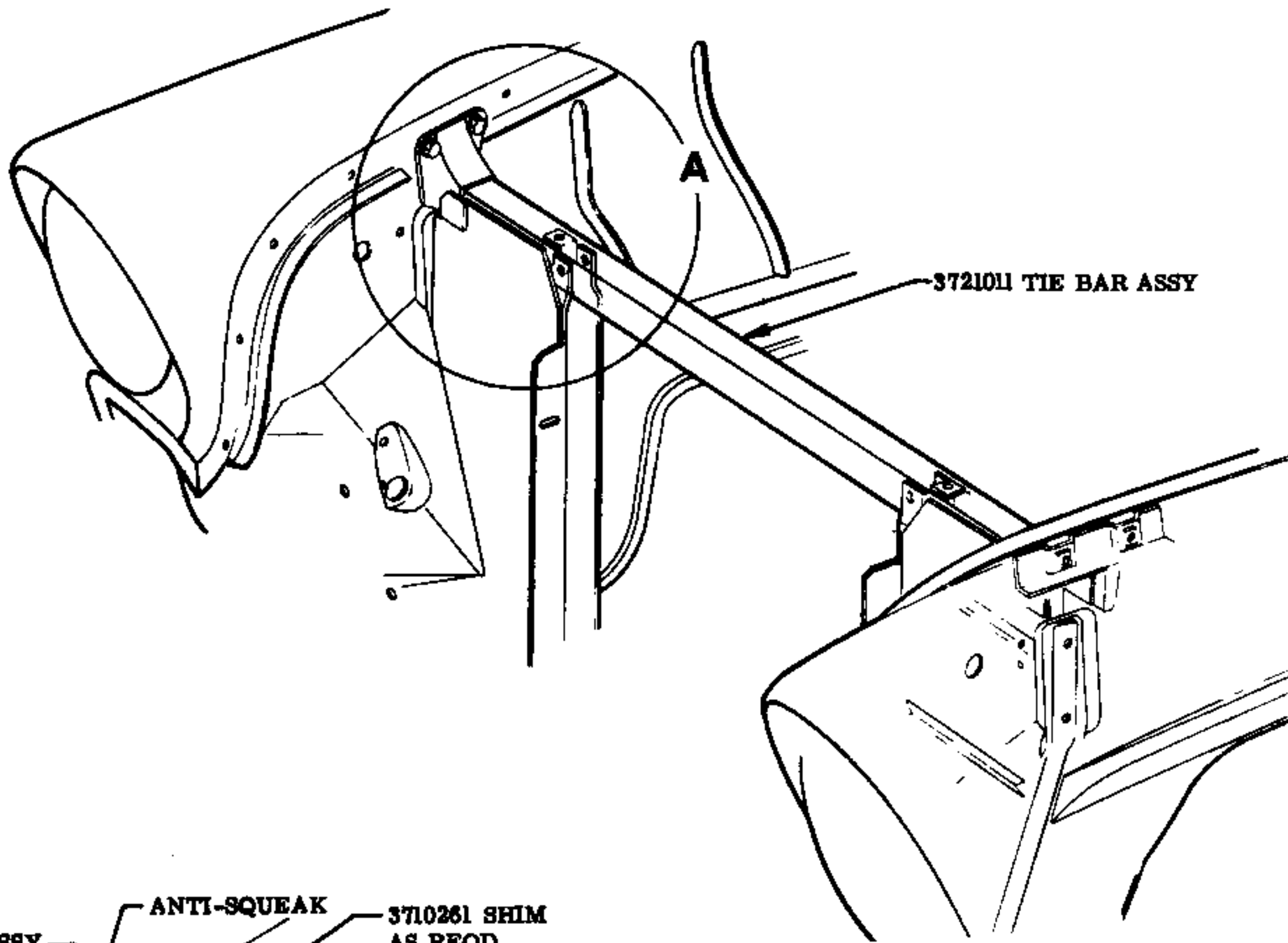


RADIATOR & FAN CLEARANCE

RADIATOR TO SUPPORT INSTRUCTION

MODELS
ALL

						NAME PASSENGER CAR INSTRUCTION MANUAL				
DATE	SYM.	REVISION RECORD	AUTH.	DR.	CK.	REF.	DRAWN	CHECKED	SECT.	SHEET
4-23-56	3	WAS 3730909 & 273573	8466		F			F	13	2.00
11-14-55	2	3730909 OPT ADDED	4530		F					
10-10-55	1	WAS 310926	3090		F	DATE 7-25-55	PART No. 3726600			

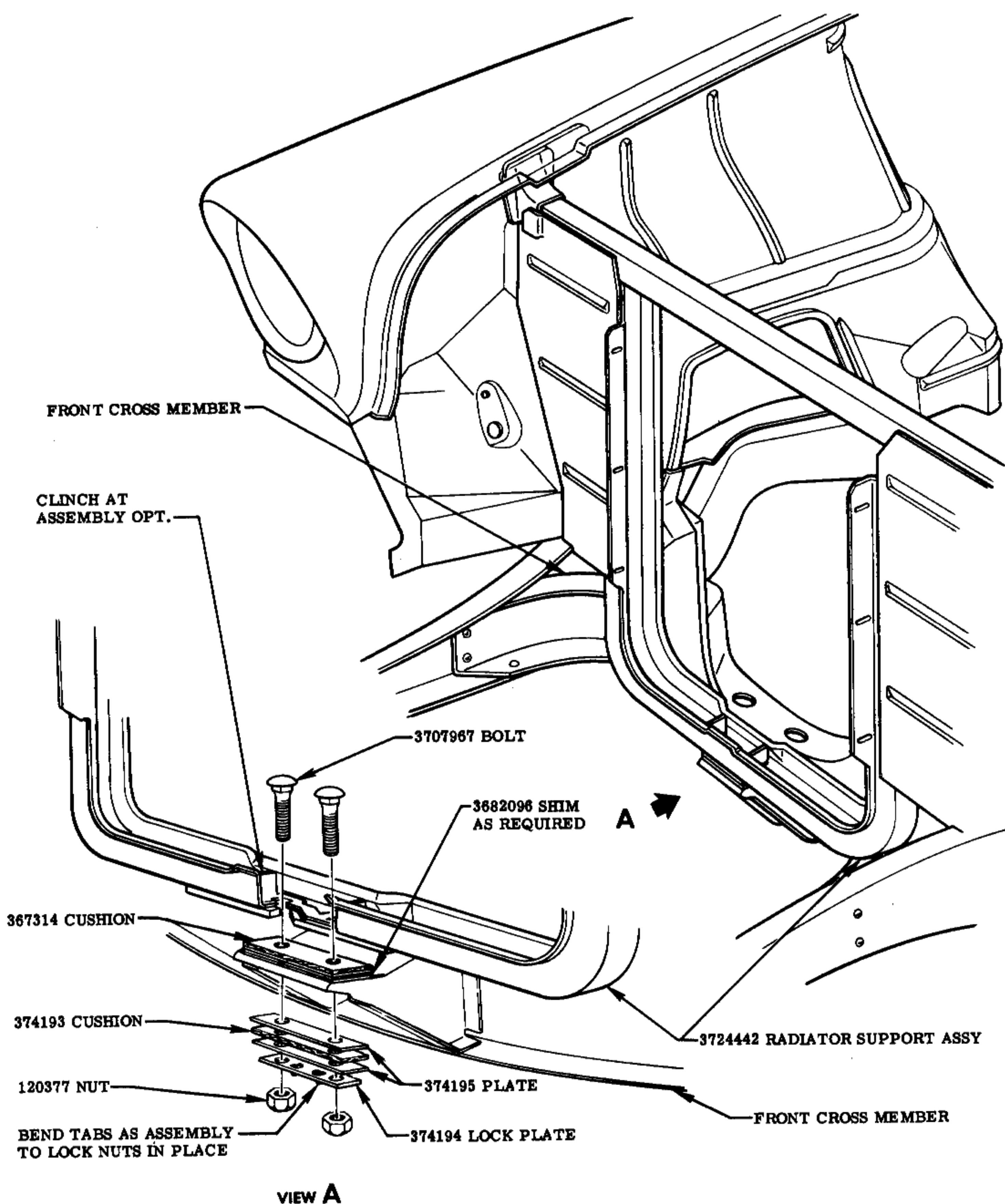


VIEW A

TIE BAR TO FENDER & SUPPORT INSTRUCTION

**MODELS
ALL**

						NAME	PASSENGER CAR INSTRUCTION MANUAL				
						REF.	DRAWN	CHECKED	F	SECT.	SHEET
						DATE	PART No.			13	3.00
DATE	SYM.	REVISION RECORD	AUTH.	DR.	CK.	7-25-55	3726600				

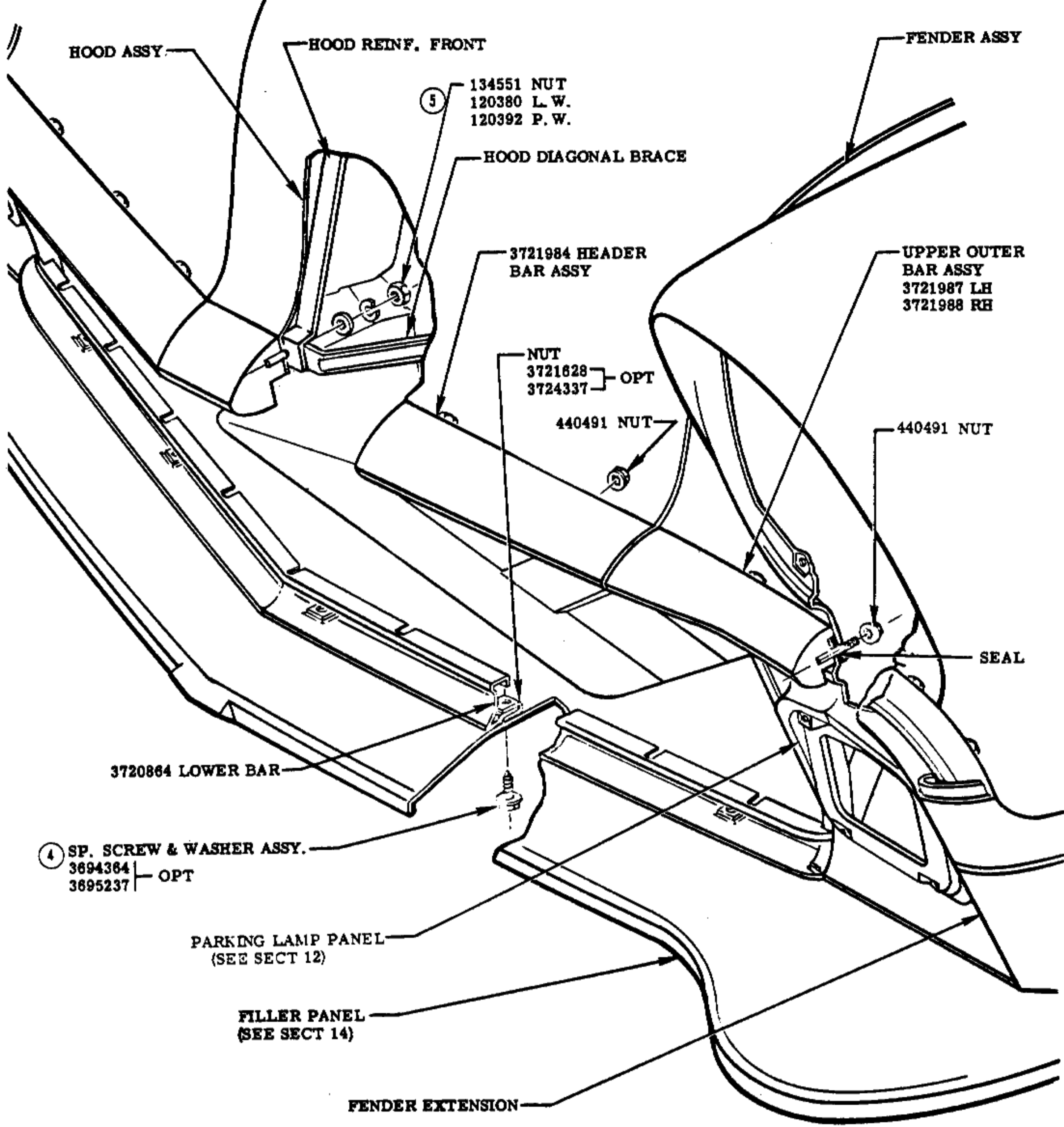


VIEW A

MODELS
ALL

RADIATOR SUPPORT TO FRAME INSTRUCTION

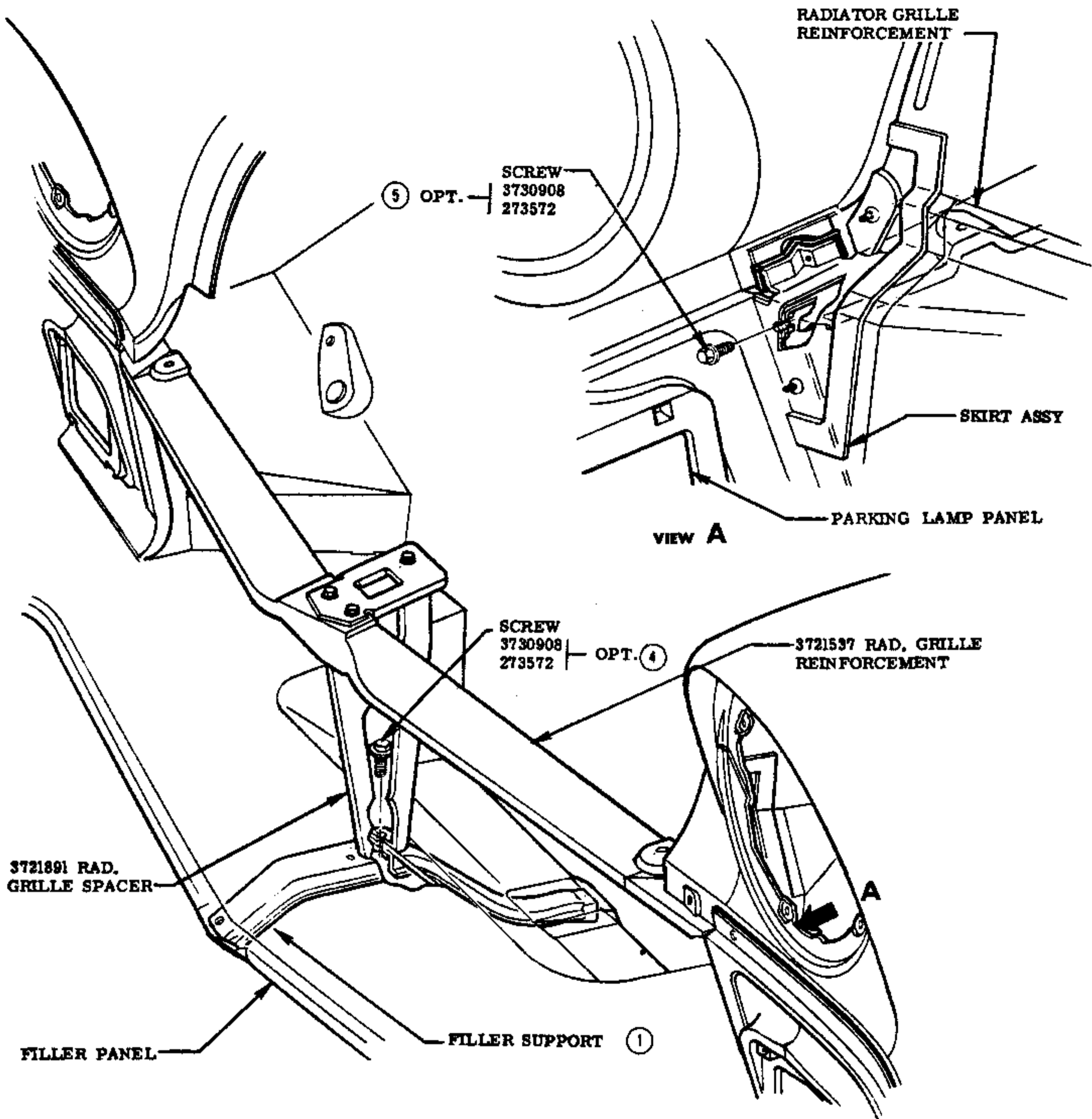
						NAME	PASSENGER CAR INSTRUCTION MANUAL				
						REF.	DRAWN	CHECKED	F	SECT.	SHEET
						DATE	7-25-55	PART No.	3726600	13	4.00
DATE	SYM.	REVISION RECORD	AUTH.	DR.	CK.						



HEADER UPPER OUTER & LOWER BAR INSTRUCTION

**MODELS
ALL**

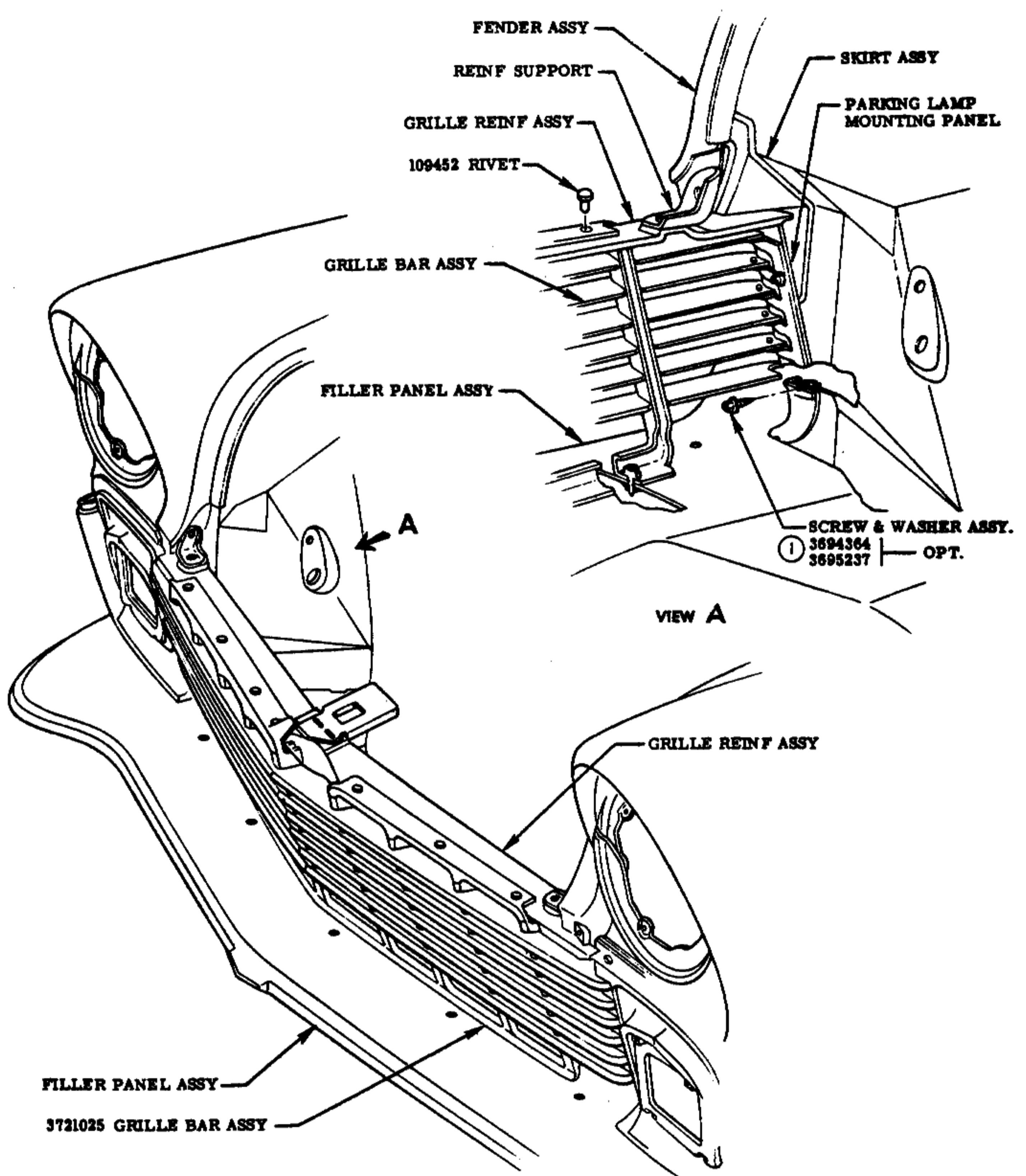
					NAME PASSENGER CAR INSTRUCTION MANUAL							
	5	WAS 440491 - NUT	5452		F	REF.		DRAWN	CHECKED	F	SECT.	SHEET
	4	WAS 3650059 SCREW & 120380 L. W.	5197			DATE		PART No.				
12-5-55	3	REDRAWN				7-25-55	3726600				13	5.00
DATE	SYM.	REVISION RECORD	AUTH.	DR.	CK.							



MODELS
ALL

GRILLE SPACER & REINFORCEMENT INSTRUCTION

	5	3730908 OPT ADDED			F	NAME	PASSENGER CAR INSTRUCTION MANUAL				
11-14-55	4	3730908 OPT ADDED	4530			REF.	DRAWN	CHECKED	F	SECT.	SHEET
	3	WAS 3710926			F						
	2	WAS 3650059 & 120386	3090								
10-10-55	1	VIEW REVISED	2826			DATE	7-25-55	PART No.	3726600	13	6.00
DATE	SYM.	REVISION RECORD	AUTH.	DR.	CK.						



GRILLE INSTRUCTION

MODELS
ALL

					NAME PASSENGER CAR INSTRUCTION MANUAL				
					REF.	DRAWN	CHECKED	SECT.	SHEET
4-16-56	1	WAS 3650059 SCREW & 120392 P. W.	9793	F	DATE	PART No.		13	7.00
					T-25-55	3726600			
DATE	SYM.	REVISION RECORD	AUTH.	DR.	CK.				

CAUTION STICKER
 3718263 ALL PLANTS EXCEPT
 JANESVILLE-LOS ANGELES-
 OAKLAND-ATLANTA & CKD
 BLOOMFIELD
 3718264 JANESVILLE
 LOCATE ON TOP OF RADIATOR-
 READABLE FROM THE FRONT

② PAINT CAUTION STICKER
 3733426 (RPO 502 & RPO 525) ①
 COWL SURFACE MUST BE CLEAN.
 LOCATE AS SHOWN USING GUMMED
 BACK TO ADHERE.

BODY SERIAL
 PLATE

AUTO JACK INSTRUCTION
 SHEET 7.00

REAR BUMPER INSTRUCTION
 SHEET 5.00

SERIAL NUMBER PLATE INSTRUCTION
 SHEET 6.00

FRONT BUMPER INSTRUCTION
 SHEET 4.00

LUBRICATION INSTRUCTION
 SHEET 8.00
 SHEET 9.00
 SHEET 10.00
 COOLING SYSTEM INSTRUCTION
 SHEET 11.00

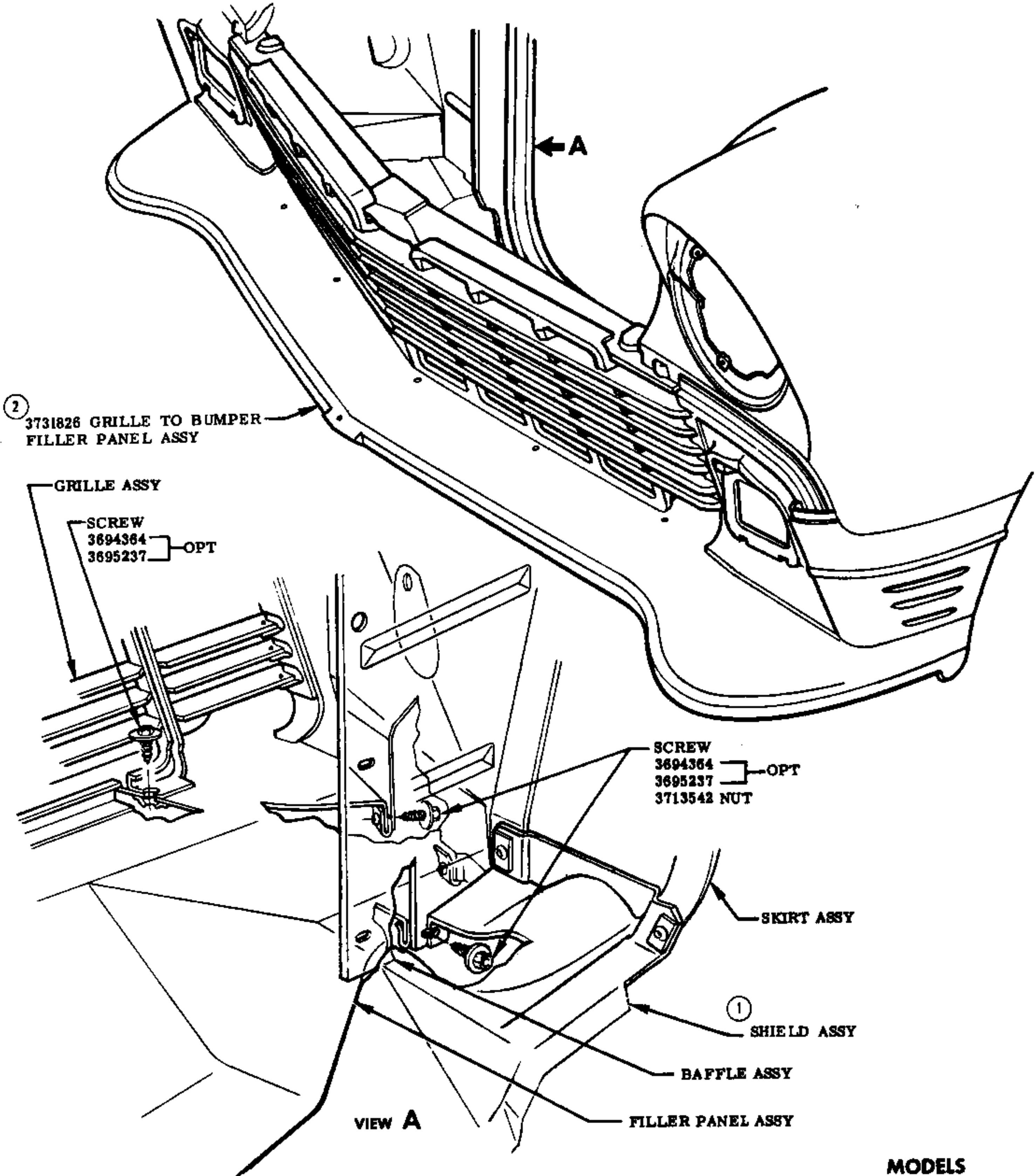
FILLER PANEL INSTRUCTION
 SHEET 2.00

FILLER SUPPORT & BUMPER
 OUTER BRACKET INSTRUCTION
 SHEET 3.00

MODELS
 ALL

BUMPER & MISCELLANEOUS INSTRUCTION

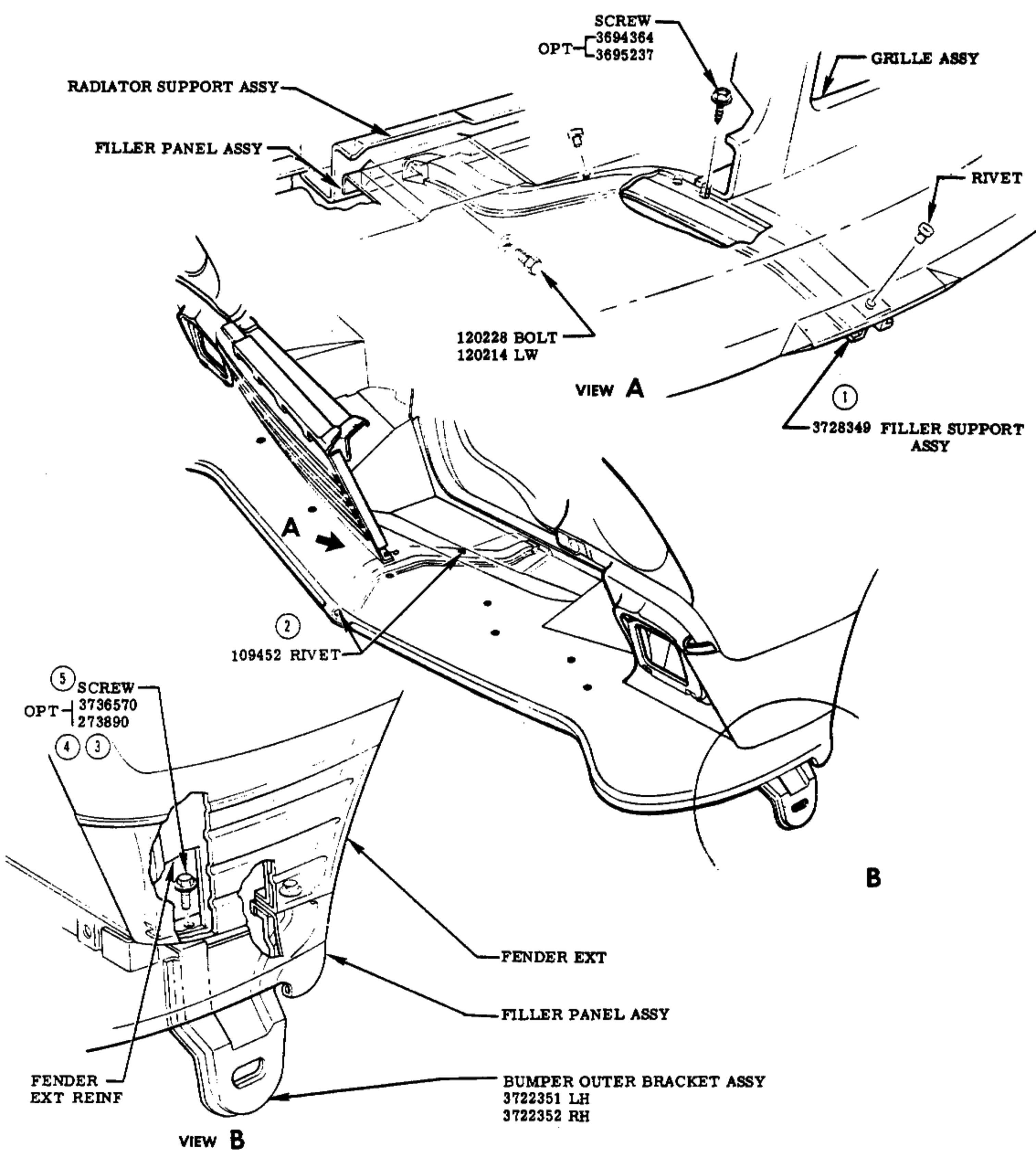
PASSENGER CAR INSTRUCTION MANUAL										
DATE	SYM.	REVISION RECORD	AUTH.	DR.	CK.	REF.	DRAWN	CHECKED	SECT.	SHEET
3-27-56	2	PART RELOCATED	6304		F			F	14	1.00
3-8-56	1	PART ADDED	6304		F	DATE	PART No.			
						7-25-55	3726600			



FILLER PANEL INSTRUCTION

**MODELS
ALL**

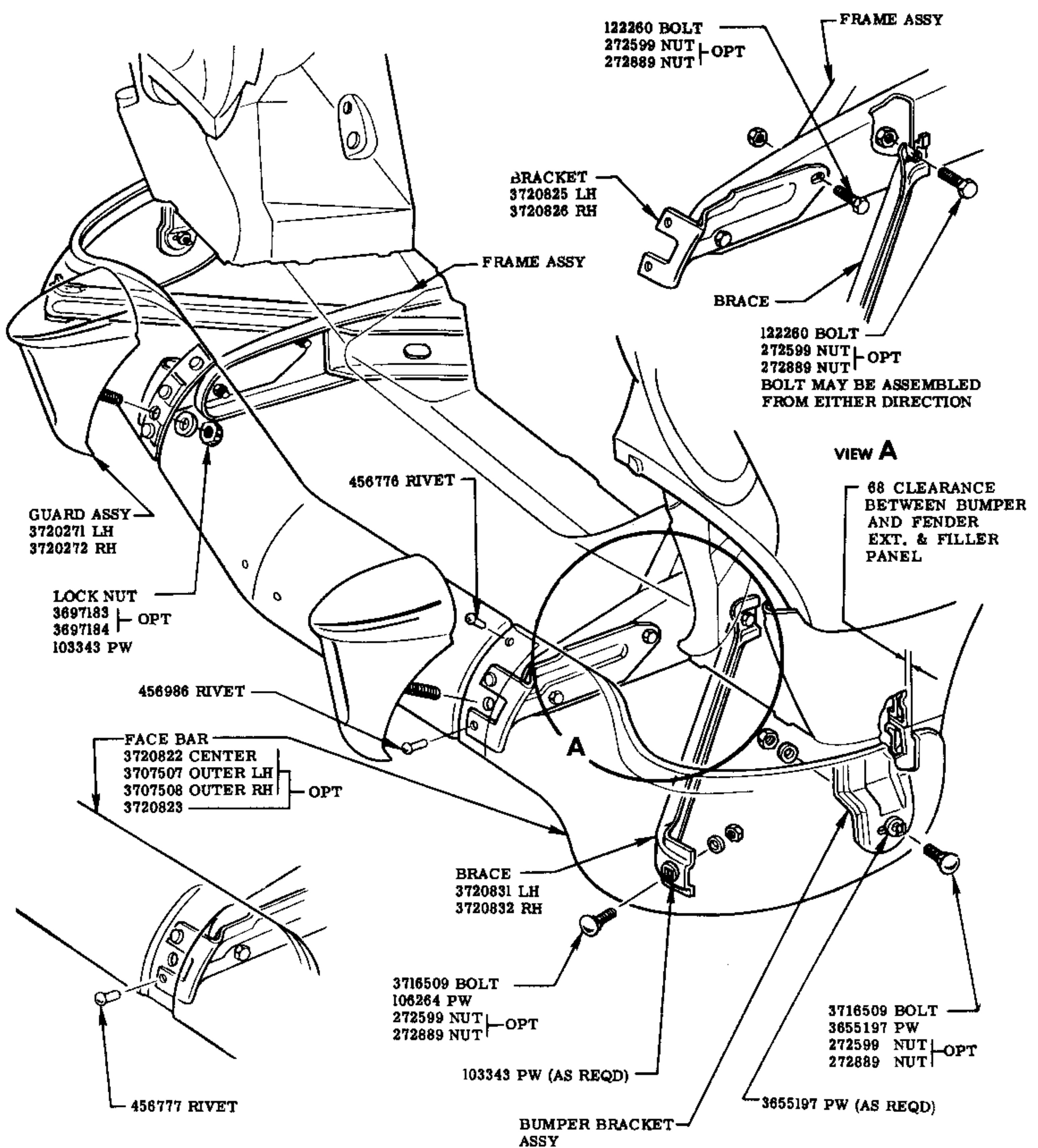
					NAME PASSENGER CAR INSTRUCTION MANUAL				
					REF.	DRAWN	CHECKED F	SECT.	SHEET
					DATE 7-25-55	PART No. 3726600		14	2.00
2	1	WAS 3721529	5049	F					
12-28-55	1	VIEW COMPLETED							
DATE	SYM.	REVISION RECORD	AUTH.	DR.	CK.				



**FILLER SUPPORT & BUMPER
OUTER BRACKET INSTRUCTION**

**MODELS
ALL**

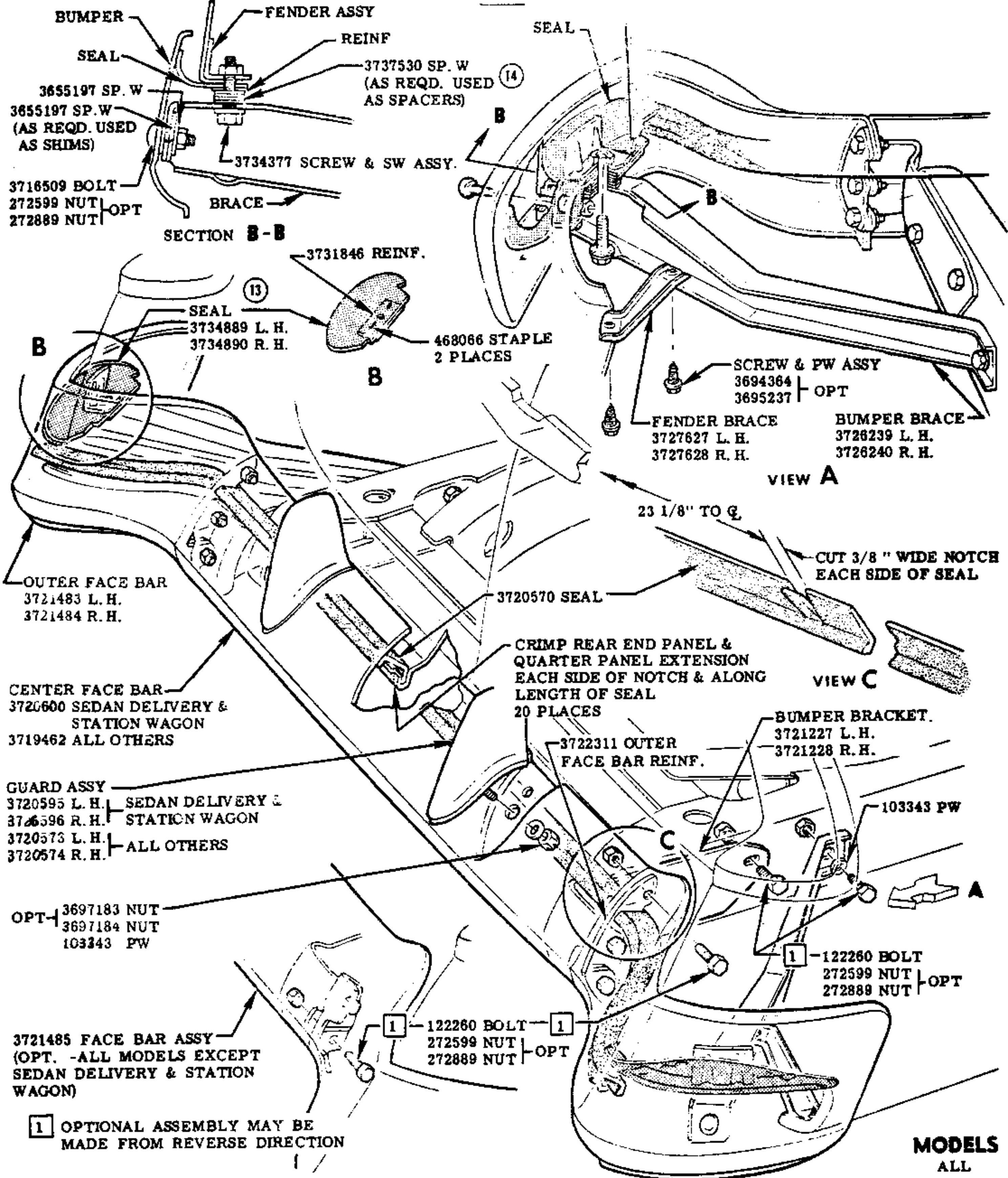
4-23-56	5	WAS 3730909 & 273573	8466		F	NAME PASSENGER CAR INSTRUCTION MANUAL				
11-14-55	4	3730909 OPT ADDED	4530		F	REF.	DRAWN	CHECKED	SECT.	SHEET
	3	WAS 3710926	3090		F			F		
	2	VIEW REVISED								
10-17-55	1	WAS 3721890	3826			DATE 7-25-55	PART No. 3726600		14	3.00
DATE	SYM	REVISION RECORD	AUTH.	DR.	CK.					



MODELS
ALL

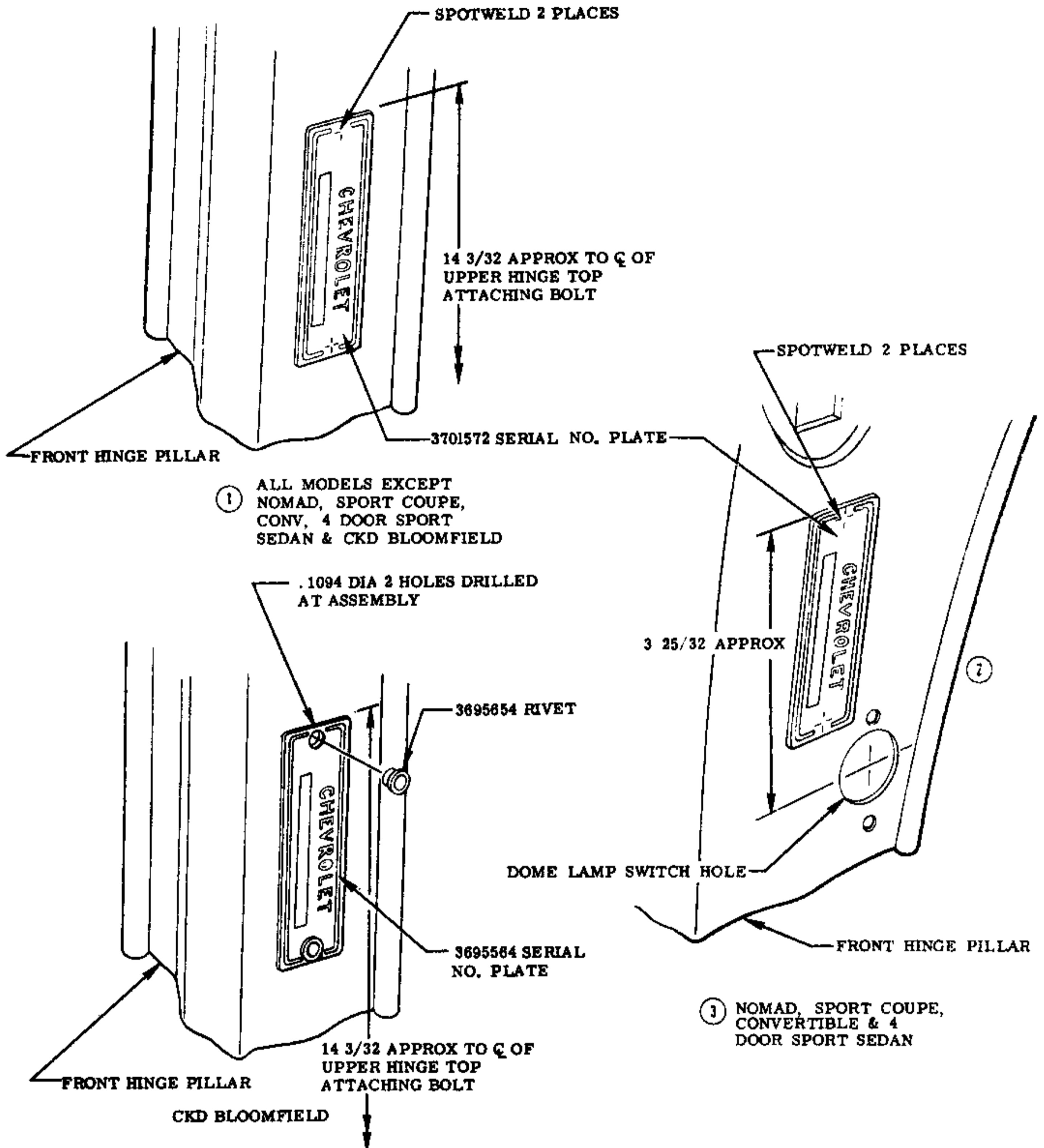
FRONT BUMPER INSTRUCTION

						NAME	PASSENGER CAR INSTRUCTION MANUAL			
						REF.	DRAWN	CHECKED	SECT.	SHEET
								F	14	4.00
						DATE	PART No.			
						7-25-55	3726600			
DATE	SYM.	REVISION RECORD	AUTH.	DR.	CK.					



REAR BUMPER INSTRUCTION

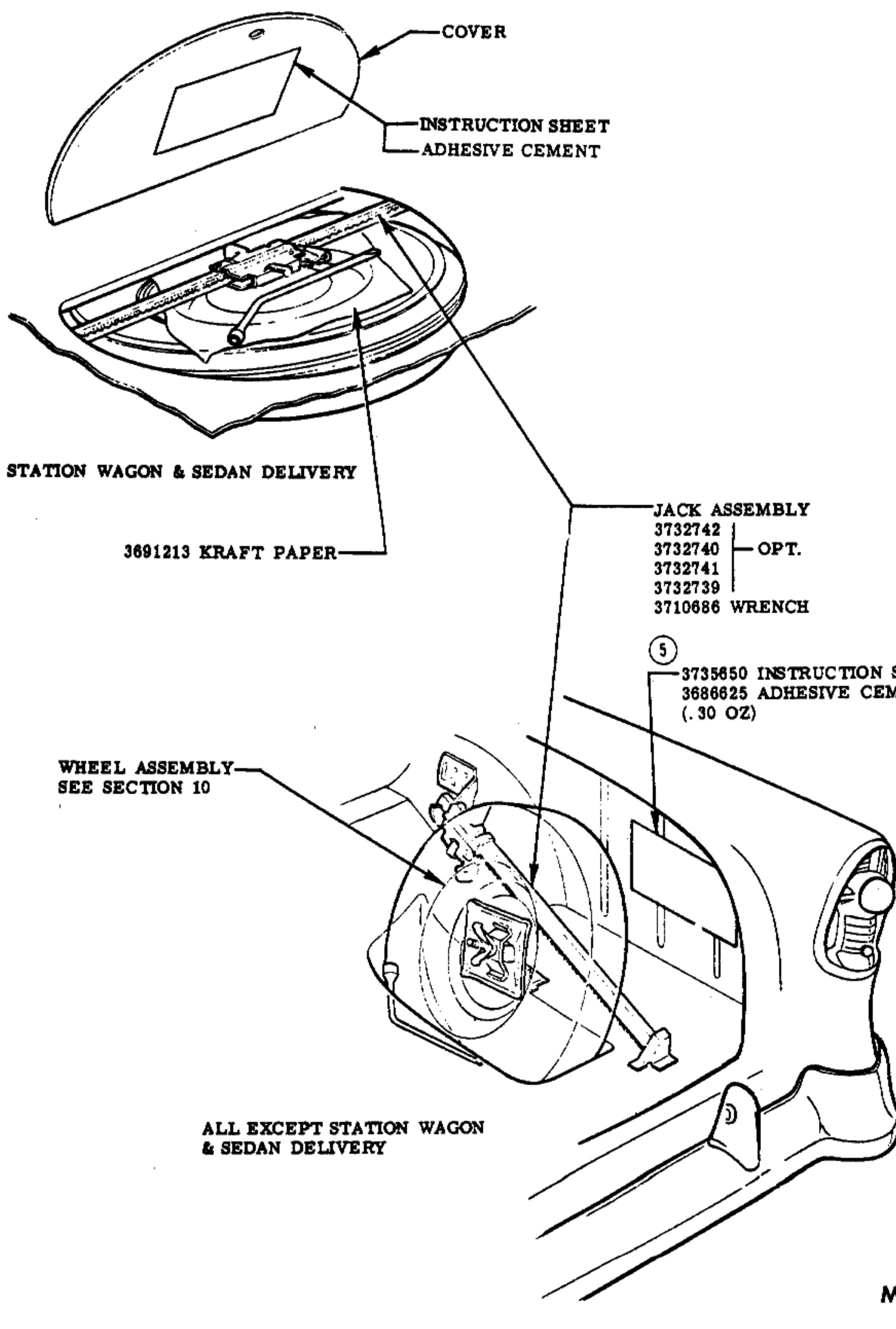
PASSENGER CAR INSTRUCTION MANUAL										
DATE	SYM.	REVISION RECORD	AUTH.	DR.	CK.	NAME	PART No.	CHECKED	SECT.	SHEET
4-16-56	14	WAS 458361	8832	F	F	REF.			F	
2-15-56	13	WAS 3728302	7224	F	F					
1-30-56	12	REDRAWN & REVISED	6848 & 5805	V	F	DATE	3726600		14	5.00
						7-25-55				



MODELS
ALL

SERIAL NUMBER PLATE INSTRUCTION

					NAME PASSENGER CAR INSTRUCTION MANUAL				
					REF.	DRAWN	CHECKED	SECT.	SHEET
	3	NOTE REVISED					F		
	2	PLATE RELOCATED							
2-15-56	1	NOTE REVISED	7333		DATE	7-25-55	PART No.	3726600	14 6.00
DATE	SYM.	REVISION RECORD	AUTH.	DR.	CK.				



AUTO JACK INSTRUCTION

					NAME PASSENGER CAR INSTRUCTION MANUAL				
					REF.	DRAWN	CHECKED F	SECT.	SHEET
4-2-56	5	3735650 WAS 3723353	6150	F				14	7.00
3-6-56	4	REDRAWN & REVISED 6290	6150	F	DATE	PART No.			
DATE	SYM.	REVISION RECORD	AUTH.	DR.	CK.	7-25-55	3726600		

CHEV. NO.	SPEC. NO.	DESCRIPTION	QUANTITY FOR 1000 JOBS	WHERE USED	SECT.
3719886	GM-4705-M (SEE DRWG)	ENGINE OIL (SEE DRWG)	1250 GAL	OIL PAN - THRU FILLER HOLE IN VALVE ROCKER COVER	6
			875 GAL	OIL PAN - THRU OIL FILLER TUBE - V-8	RPO 221
			375 GAL.	OIL FILTER - OIL PAN THRU OIL FILLER TUBE TO REPLACE OIL REMOVED FROM OIL PAN & HELD IN FILTER	RPO 237 RPO 411
			350 GAL	OIL FILTER - OIL PAN THRU OIL FILLER HOLE TO REPLACE OIL REMOVED FROM OIL PAN & HELD IN FILTER	RPO 237
			1.17 GAL	GENERATOR OIL CUPS - BOLT ENDS - FILL CUPS	6
				DISTRIBUTOR OIL CUP - V-8 - FILL CUP	RPO 221
				GASOLINE TANK METER UNIT GASKET - SOAK 2 HOURS - DRAIN	8
377181	GM-4506 M	ENGINE OIL A-30	125 GAL	CARBURETOR AIR CLEANER - OIL BATH TYPE	A RPO 221 RPO 216 RPO 410 RPO 411 RPO 417
350674	GM-4673 M	STEERING GEAR LUBRICANT	750 LB (MIN)	STEERING GEAR - THRU FILLER HOLE IN HOUSING	9
3676286	GM-4653 M	BRAKE FLUID DELCO SUPER NO. 11 SAE 70 R1	75 GAL	HYDRAULIC BRAKE SYSTEM	B 5
			89 GAL	HYDRAULIC BRAKE SYSTEM - VACUUM POWER BRAKE	B RPO 412
598422	SEE DRWG	GRAPHITE GREASE	5.5 LB	CLUTCH RELEASE BEARING COLLAR - SEE VIEW	6
375933	GM-4640 M	SMOOTH TYPE CHASSIS LUBRICANT (PRESSURE GUN LUBRICANT)	100 LB	FRONT SUSPENSION UPPER CONTROL ARM BALL STUD ASSY - 1 FITTING EACH SIDE	3
				FRONT SUSPENSION LOWER CONTROL ARM BALL STUD ASSY - 1 FITTING EACH SIDE	
				STEERING RELAY ROD - 1 FITTING	9
				STEERING TIE ROD ASSY - 2 FITTINGS EACH SIDE	
			5 LB	2ND & 3RD IDLER LEVER SHAFT - BUSHING CONTACT SURFACES	7
			OPTIONAL 597663	GM-4647 M	VISCOUS TYPE CHASSIS LUBRICANT (PRESSURE GUN LUBRICANT)
9 LB	BATTERY TERMINAL WASHER - COAT	12			
9 LB	DISTRIBUTOR - FILL GREASE CUP	6			
15 LB	FUEL PUMP PUSH ROD - LUBRICATE APPROX 1 INCH ON CAMSHAFT END	RPO 221			

A FOR USE ON JOBS THAT ARE DRIVEN AWAY

B TO PREVENT LEAKAGE OF BRAKE FLUID DURING SHIPMENT, THE QUANTITY SHOWN ABOVE IS APPROXIMATELY 50 CC LESS THAN REQUIRED TO FILL THE RESERVOIR

LUBRICATION INSTRUCTION

DATE	SYM.	REVISION RECORD	AUTH.	DR.	CK.	NAME	PASSENGER CAR INSTRUCTION MANUAL	REF.	DRAWN	CHECKED	SECT.	SHEET
3-20-56	6	WAS "FOA 104"	8980		F							
	5	RPO 411 ADDED	5380		F							
	4	NOTE C REMOVED										
	3	ITEM ADDED	3471 & 5231									
	2	QUANTITY ADDED										
11-14-55	1	ITEM ADDED	3905									
						DATE	7-25-55	PART No.	3726600		14	8.00

CHEV. NO.	SPEC. NO.	DESCRIPTION	QUANTITY FOR 1000 JOBS	WHERE USED	SECT.
3716724		AUTOMATIC TRANSMISSION FLUID	1062 GAL	AUTOMATIC TRANSMISSION - THRU FILLER NECK ON RIGHT SIDE OF TRANSMISSION - SEE NOTE - SHEET 6.03	A RPO 313
			207.5 GAL	HYDRAULIC STEERING GEAR PUMP	RPO 324
			8 GAL	PROPELLER SHAFT YOKE - TRANSMISSION END	4
3699822	SEE DRWG	SPECIAL LUBRICANT (LUBRIPLATE)	100 LB	CLUTCH PEDAL RETURN SPRING - LUBRICATE BOTH ENDS	6
				TRANSMISSION CONTROL LOWER ROD - BELL CRANK END ONLY	LD
				TRANSMISSION CONTROL UPPER ROD - BELL CRANK END ONLY	LD
				TRANSMISSION CONTROL ROD - TRANSMISSION END ONLY	LD
				TRANSMISSION CONTROL ROD - 1ST & REVERSE - UPPER END	RD
				TRANSMISSION CONTROL ROD - 2ND & 3RD - UPPER END	RD
				TRANSMISSION CONTROL LOWER ROD - 1ST & REVERSE - BOTH ENDS	RD
				TRANSMISSION CONTROL LOWER ROD - 2ND & 3RD - BOTH ENDS	RD
				TRANSMISSION CONTROL CROSS SHAFT TO TRANSMISSION LEVER RODS - BOTH ENDS	RD
				TRANSMISSION CONTROL CROSS SHAFTS & BRACKET - COAT WORKING SURFACES WHEN ASSEMBLING	RD
				TRANSMISSION CONTROL LEVER - LUBRICATE BALL & FULCRUM	
TRANSMISSION CONTROL LEVER HOUSING - LUBRICATE ALL WASHERS & SPACERS, KEY & INSIDE DIAMETER TOP & BOTTOM BEARING SURFACES					

A INSTRUCTIONS FOR FILLING POWERGLIDE TRANSMISSION

ADD THE SPECIFIED AMOUNT OF FLUID THROUGH TRANSMISSION OIL FILLER TUBE. IF FLUID IS ADDED WITH TRANSMISSION STATIONARY, THE UPPER FRONT SERVO COVER ATTACHING BOLT MUST BE REMOVED TO PERMIT ESCAPE OF THE DISPLACED AIR. REINSTALL BOLT TO 12.5 TO 15.0 FT. LBS. TORQUE. FLUID MAY BE ADDED IMMEDIATELY AFTER STARTING ENGINE FOR THE FIRST TIME ON THE FINAL ASSEMBLY LINE. WITH THIS PROCEDURE IT IS UNNECESSARY TO REMOVE THE UPPER FRONT SERVO COVER ATTACHING BOLT SINCE THE FLUID WILL BE PICKED UP THROUGH THE FRONT PUMP SUCTION TUBE RAPIDLY ENOUGH TO AVOID BLOCKING OFF THE LOWER END OF THE FILLER TUBE.

AFTER ROAD TEST THE OIL LEVEL (MEASURED WITH ENGINE IDLING AND TRANSMISSION IN NEUTRAL RANGE), MUST BE WITHIN 1/4 INCH OF FULL MARK ON DIP STICK.

CAUTION: TO AVOID DAMAGE TO THE TRANSMISSION, THE CAR MUST NOT BE DRIVEN WITH THE FLUID LEVEL MORE THAN 1 INCH ABOVE OR BELOW THE " FULL " MARK ON THE DIP STICK.

OPTIONAL FILLING PROCEDURE

REMOVE UPPER FRONT SERVO COVER ATTACHING BOLT AND WHILE ADDING THE SPECIFIED AMOUNT OF OIL, ROTATE THE CONVERTER ON THE ENGINE TRIM LINE IN EITHER " NEUTRAL " OR " DRIVE " RANGE AT APPROXIMATELY 800 RPM FOR AT LEAST A MINUTE. REINSTALL UPPER FRONT SERVO COVER ATTACHING BOLT TO 12.5 TO 15.0 FT. LBS. TORQUE. SINCE THIS DOES NOT COMPLETELY FILL THE CONVERTER, IT IS NECESSARY THAT THE CONVERTER BE FURTHER ROTATED AT FAST IDLE ON THE FINAL LINE IN " NEUTRAL " RANGE TO BRING LEVEL WITHIN 1 INCH OF " FULL " MARK ON THE DIP STICK.

AFTER ROAD TEST, LEVEL MUST BE WITHIN 1/4 INCH OF " FULL " MARK

CAUTION: TO AVOID BURNING OF HIGH CLUTCH PLATES OR THE LOW AND REVERSE BANDS, DO NOT MOTOR THE CONVERTER IN " DRIVE " RANGE ON FINAL ASSEMBLY OR DRIVE THE CAR WITH FLUID LEVEL MORE THAN 1 INCH ABOVE " FULL " MARK ON DIP STICK.

LUBRICATION INSTRUCTION

					NAME PASSENGER CAR INSTRUCTION MANUAL				
					REF.	DRAWN	CHECKED	SECT.	SHEET
							F		
DATE	SYM.	REVISION RECORD	AUTH.	DR.	CK.	DATE	PART No.	14	9.00
						7-25-55	3726600		

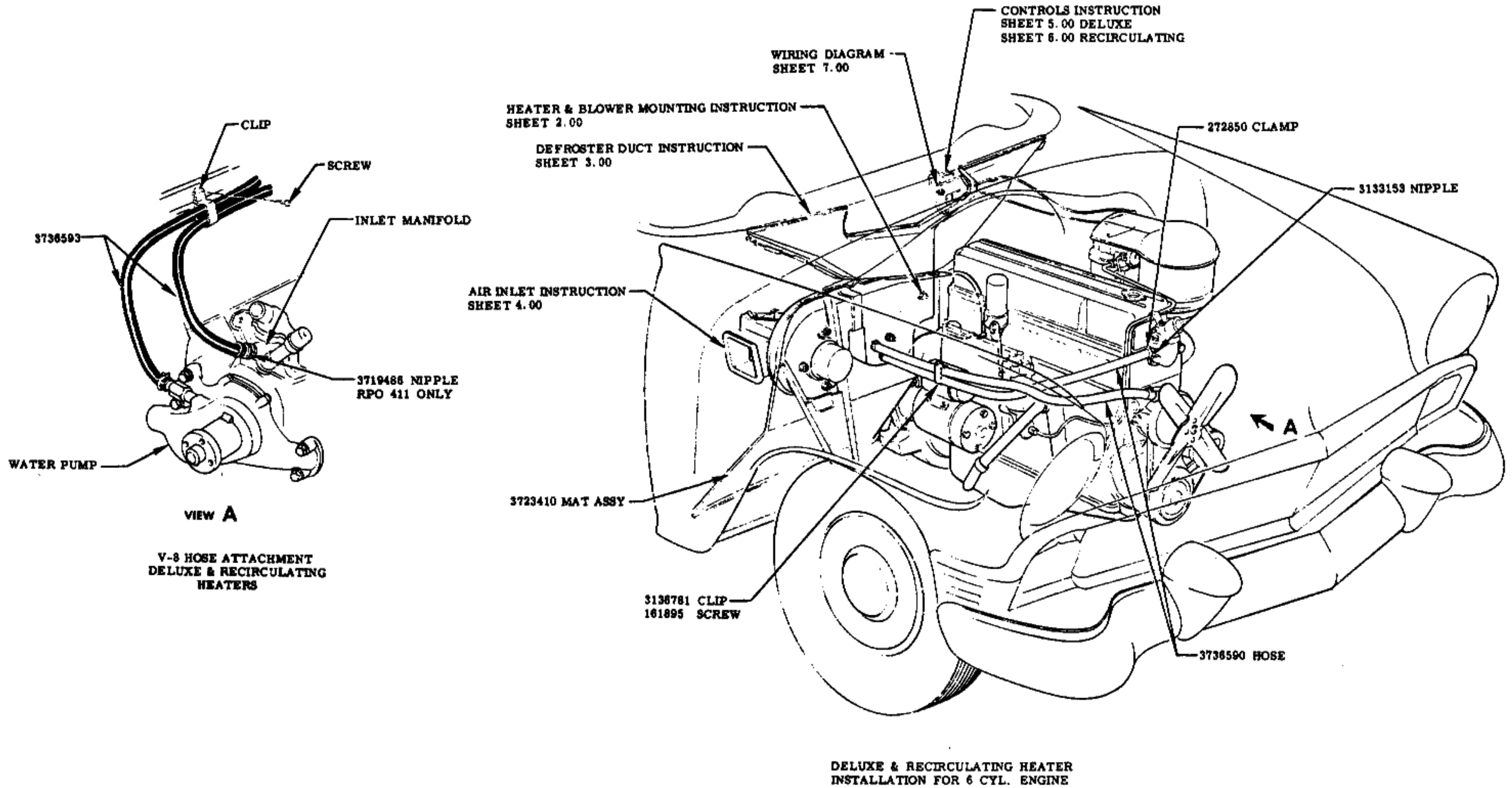
CHEV. NO.	SPEC. NO.	DESCRIPTION	QUANTITY FOR 1000 JOBS	WHERE USED	SECT.	
3699822	SEE DRWG	SPECIAL LUBRICANT (LUBRIPLATE)	FOR QUANTITY SEE SHEET 9.00 ①	DIRECTION SIGNAL LIGHT HOUSING OR STEERING WHEEL HUB COVER - LUBRICATE BASE & INSIDE DIAMETER ③	7	
				TRANSMISSION CONTROL SHIFTER TUBE - LUBRICATE UPPER & LOWER ENDS		
				TRANSMISSION CONTROL SHIFTER LEVERS - SHIFTER TUBE ENDS ALL OVER		
				BRAKE & CLUTCH PEDAL SLEEVE ASSEMBLY		
				CLUTCH PEDAL SHAFT		6
				BRAKE PEDAL HUB		5
				CLUTCH PEDAL PUSH ROD - BOTH ENDS		6
				CLUTCH FORK PUSH ROD - FORWARD END & BALL NUT		5
				PARKING BRAKE LEVER ASS'Y - COAT LEVER OVER ITS ENTIRE LENGTH		5
				HAND BRAKE PULLEYS - COAT PIVOT BOLTS WHEN ASSEMBLING ASH TRAY RETAINER - COAT BEADS OF RETAINER AT SURFACES CONTACTING WITH ASH TRAY SPRING - COAT RETAINER SIDE TABS		1
				TRANSMISSION TORQUE CONVERTER COVER PILOT HOLE IN CRANKSHAFT - LUBRICATE INSIDE DIAMETER		RPO 313
				TRANSMISSION CONTROL SHIFTER TUBE RETURN SPRING - BOTH ENDS		
				TRANSMISSION CONTROL ROD BELL CRANK STUD		
				TRANSMISSION CONTROL SHORT ROD - BOTH ENDS BRAKE PEDAL SHAFT HOLES IN LINK & LEVER ASSY		RPO 412
15 LBS						
3704876		RUBBER LUBRICANT	100 LB.	TO ASSEMBLE TIRE TO RIM	B 10	
				FOR MISCELLANEOUS APPLICATIONS TO FACILITATE ASSEMBLY	B	
3729083 ②	GM 4736-M ③	SPECIAL LUBRICANT	350 GAL	TRANSMISSION - 3 SPEED - THRU FILLER HOLE IN CASE	7	
			375 GAL	TRANSMISSION - OVERDRIVE - THRU FILLER HOLE IN TRANSMISSION CASE	RPO 315	
594494	GM-4655 M	A-9 HYPOID LUBRICANT (SAE 90) LEAD SOAP - ACTIVE SULPHUR TYPE	3700 LB	REAR AXLE - THRU FILLER HOLE & LEVEL PLUG IN HOUSING	A 4	

A. CAUTION - THIS LUBRICANT, IF PERMITTED TO STAND UNUSED FOR TWO WEEKS OR MORE, MUST BE THOROUGHLY AGITATED BEFORE USING IN REAR AXLES.

B. CONCENTRATED MATERIAL (AS PURCHASED) TO BE DILUTED WITH FROM FOUR TO EIGHT PARTS WATER FOR TIRE MOUNTING, AND FOR LUBRICATION OF MISCELLANEOUS PARTS DURING ASSEMBLY. ④

LUBRICATION INSTRUCTION

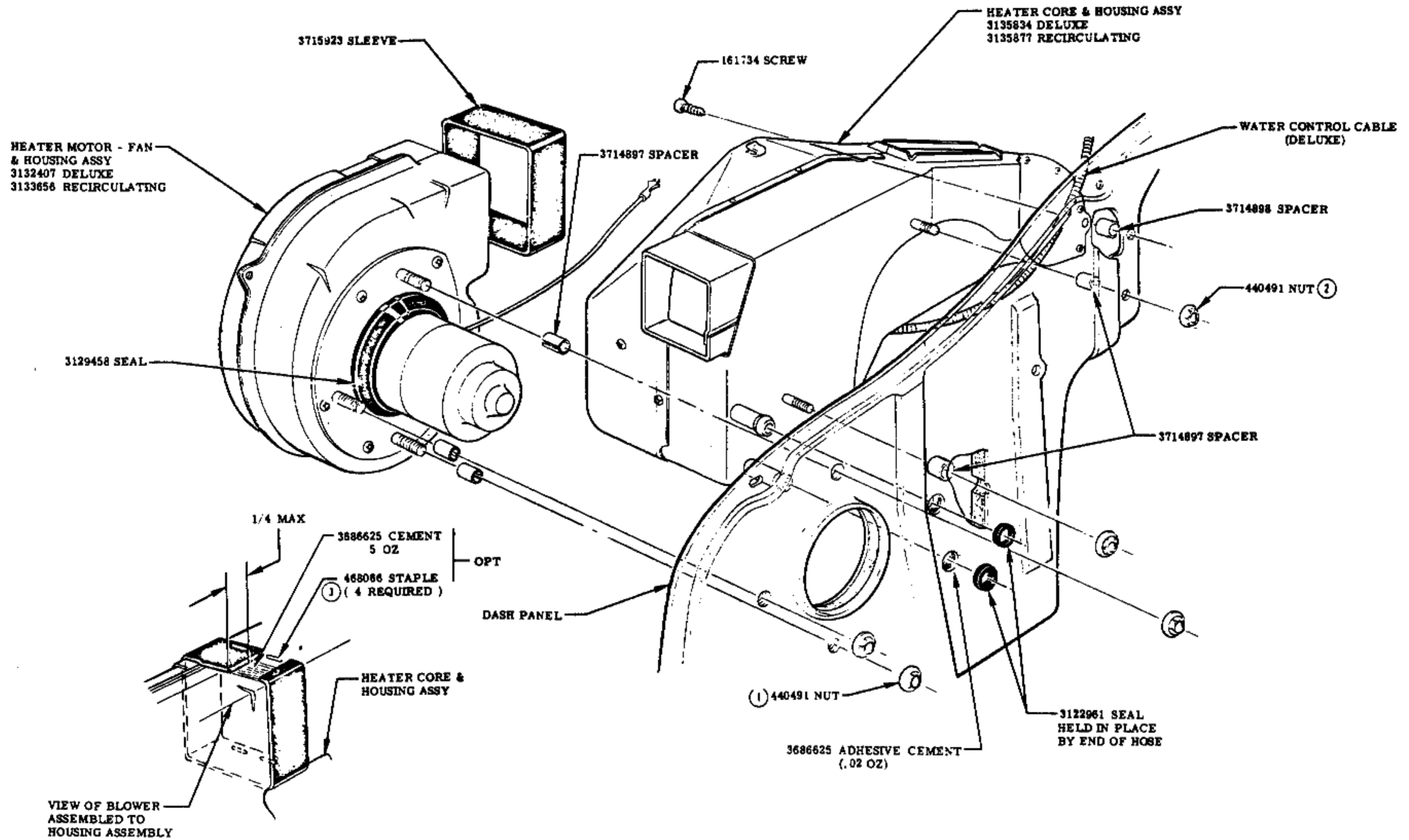
DATE	SYM.	REVISION RECORD	AUTH.	DR.	CK.	NAME	PASSENGER CAR INSTRUCTION MANUAL	REF.	DRAWN	CHECKED	SECT.	SHEET
	5	NOTE REVISED										
	4	NOTE REVISED										
	3	WAS GM-4685 M	4423									
	2	WAS 3688233	3011									
11-14-55	1	WAS SHT. 6.01 IN ERROR										
						DATE	T-25-55		PART No.	3726600	14	10.00



SEE COOLANT CHART SECTION - 14
DELUXE & RECIRCULATING HEATERS INSTRUCTION

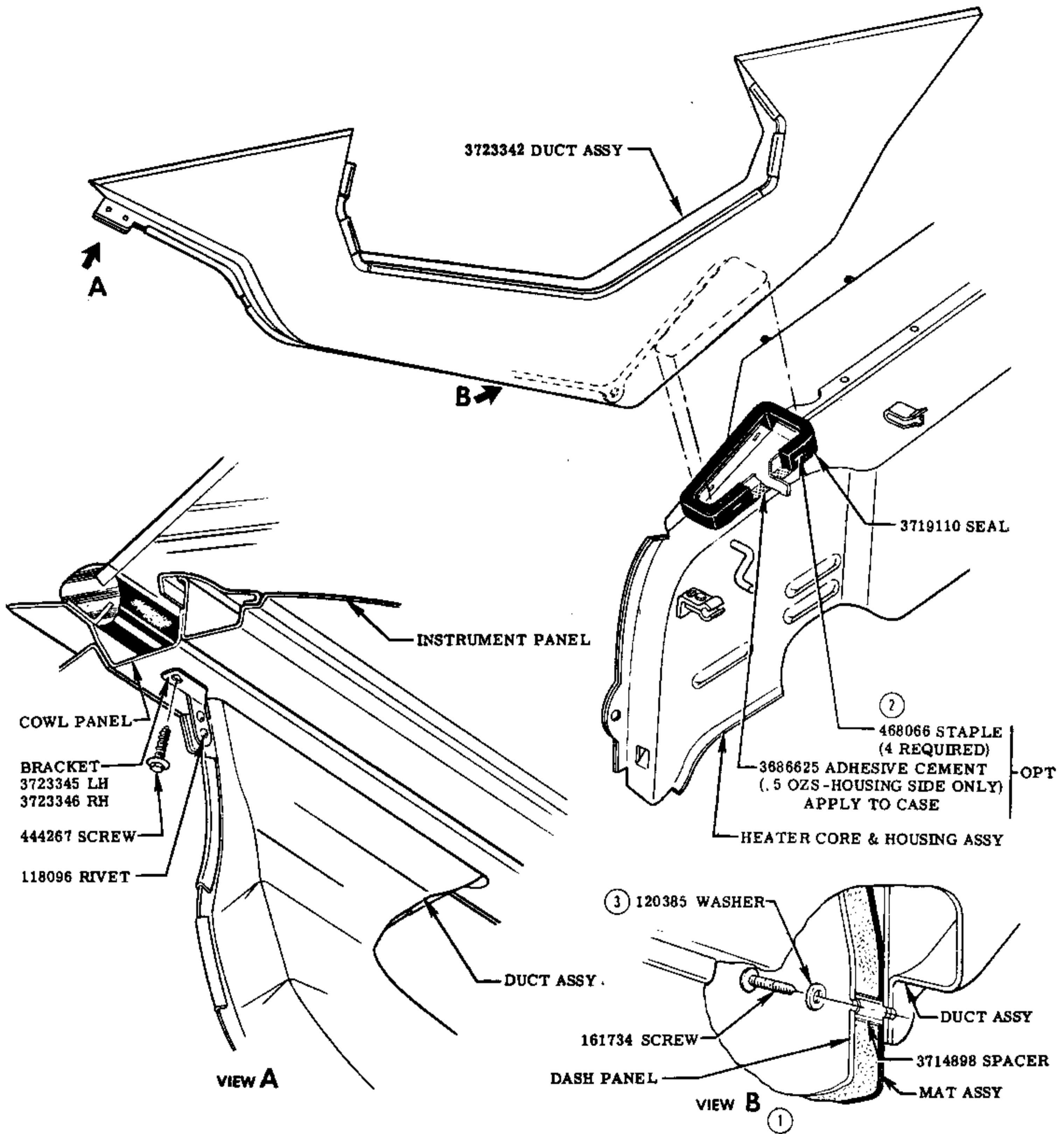
MODELS
 ALL

						NAME PASSENGER CAR INSTRUCTION MANUAL				
						REF.	DRAWN	CHECKED	F.O.A.	SHEET
								F		
4-2-56	6	REDRAWN & REVISED	8452	8269	F	DATE	PART No.		101	1.00
DATE	SYM.	REVISION RECORD	AUTH.	DR.	CK.	7-25-55	3726600			



HEATER & BLOWER MOUNTING INSTRUCTION

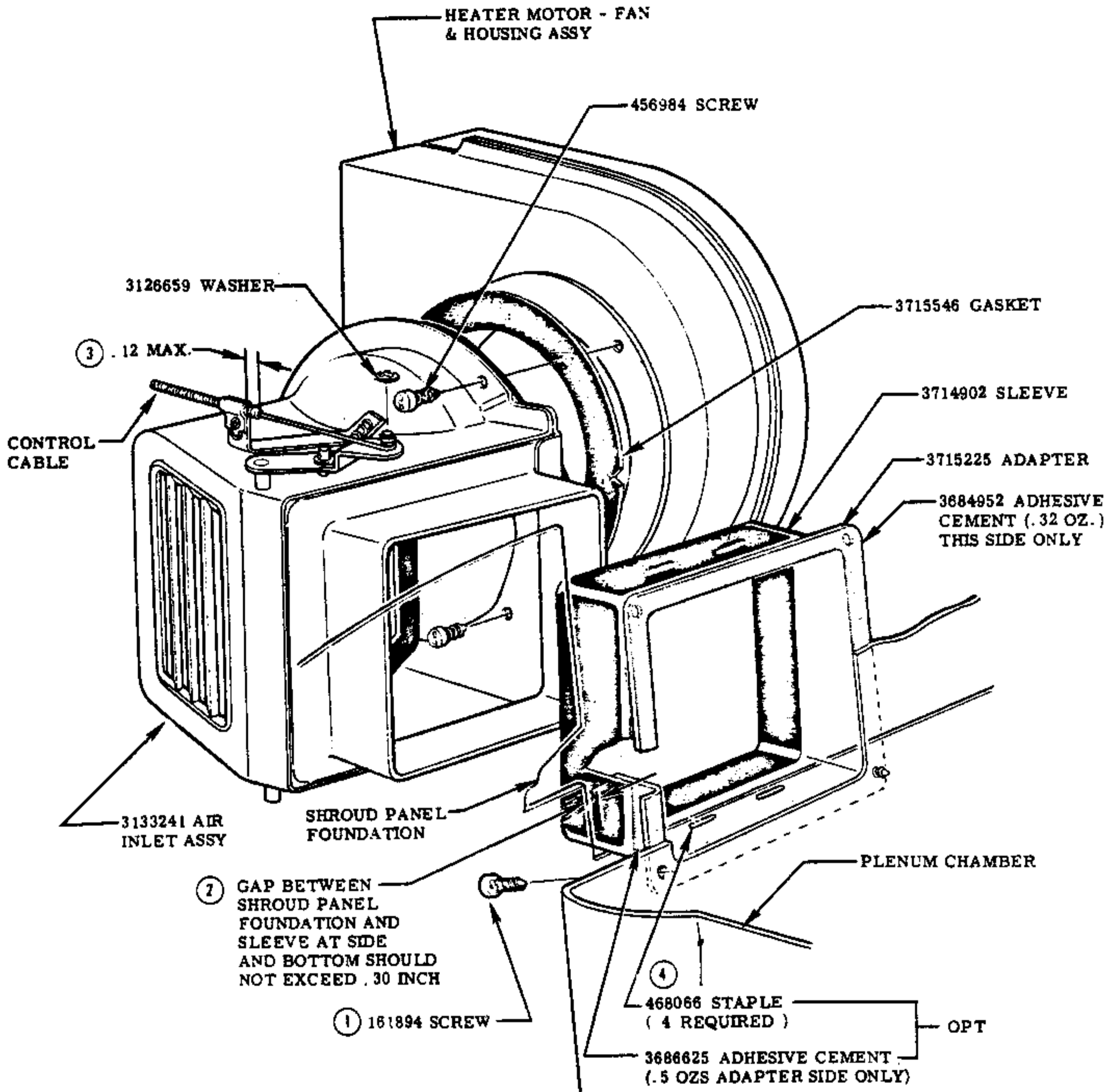
10-24-55	3	468066 OPT ADDED	4272		F	NAME PASSENGER CAR INSTRUCTION MANUAL				
	2	WAS 134551 NUT			F	REF.	DRAWN	CHECKED	F.O.A.	SHEET
		120380 LW 120388 PW (2 PLACES)								
	1	WAS 134551 NUT				DATE	PART No.		101	2.00
9-28-55		120380 LW 120388 PW (3 PLACES)	3678			7-25-55	3726600			
DATE	SYM.	REVISION RECORD	AUTH.	DR.	CK.					



MODELS
ALL LD

DEFROSTER DUCT INSTRUCTION

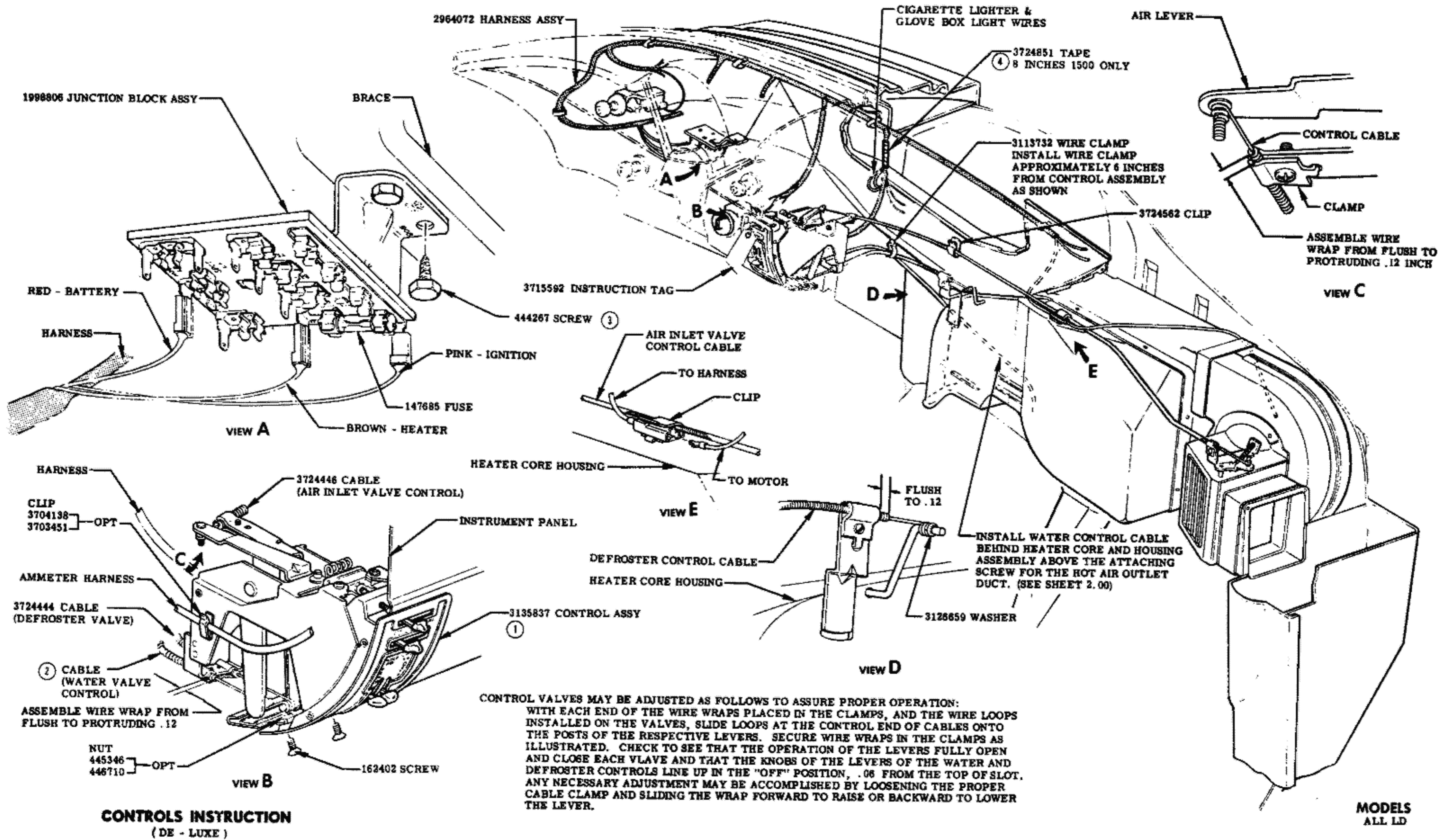
					NAME PASSENGER CAR INSTRUCTION MANUAL					
DATE	SYM.	REVISION RECORD	AUTH.	DR.	CK.	REF.	DRAWN	CHECKED	F.O.A	SHEET
2-6-56	3	120385 ADDED	5520		F					
	2	468066 OPT ADDED	4272		F				F	
10-24-55	1	VIEW B REVISED & REDRAWN	4137			DATE	PART No.			
						7-25-55	3726600		101	3.00



AIR INLET INSTRUCTION (DELUXE)

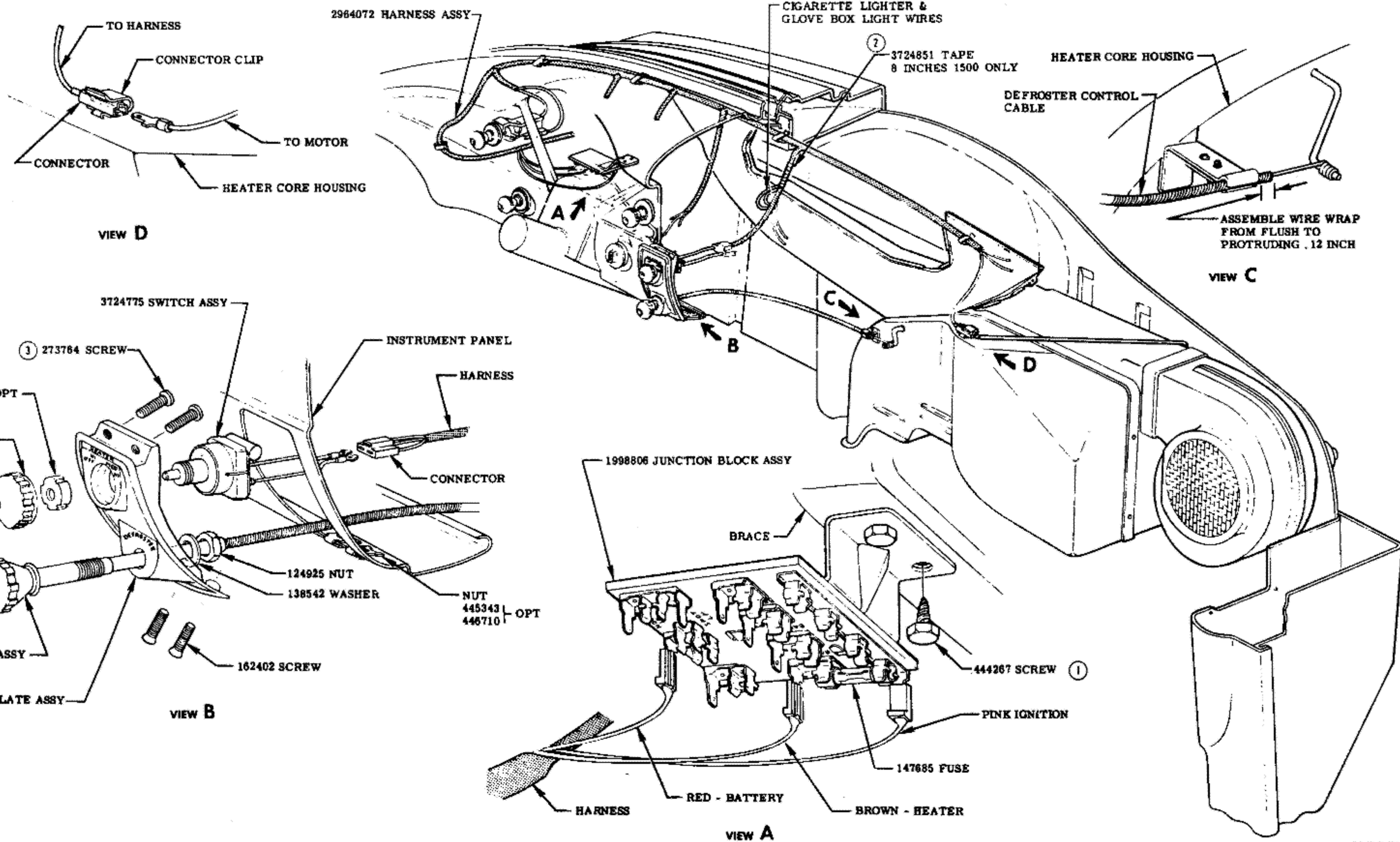
MODELS
ALL LD

DATE	SYM.	REVISION RECORD	AUTH.	DR.	CK.	NAME	PART No.	F.O.A.	SHEET
10-24-55	4	468066 OPT ADDED	4272		F	PASSENGER CAR INSTRUCTION MANUAL	3726600	101	4.00
	3	WAS .18 MAX			F				
	2	NOTE ADDED & VIEW REVISED	4123						
9-27-55	1	WAS 187677	3877			DATE			
						7-25-55			



CONTROLS INSTRUCTION
(DE - LUXE)

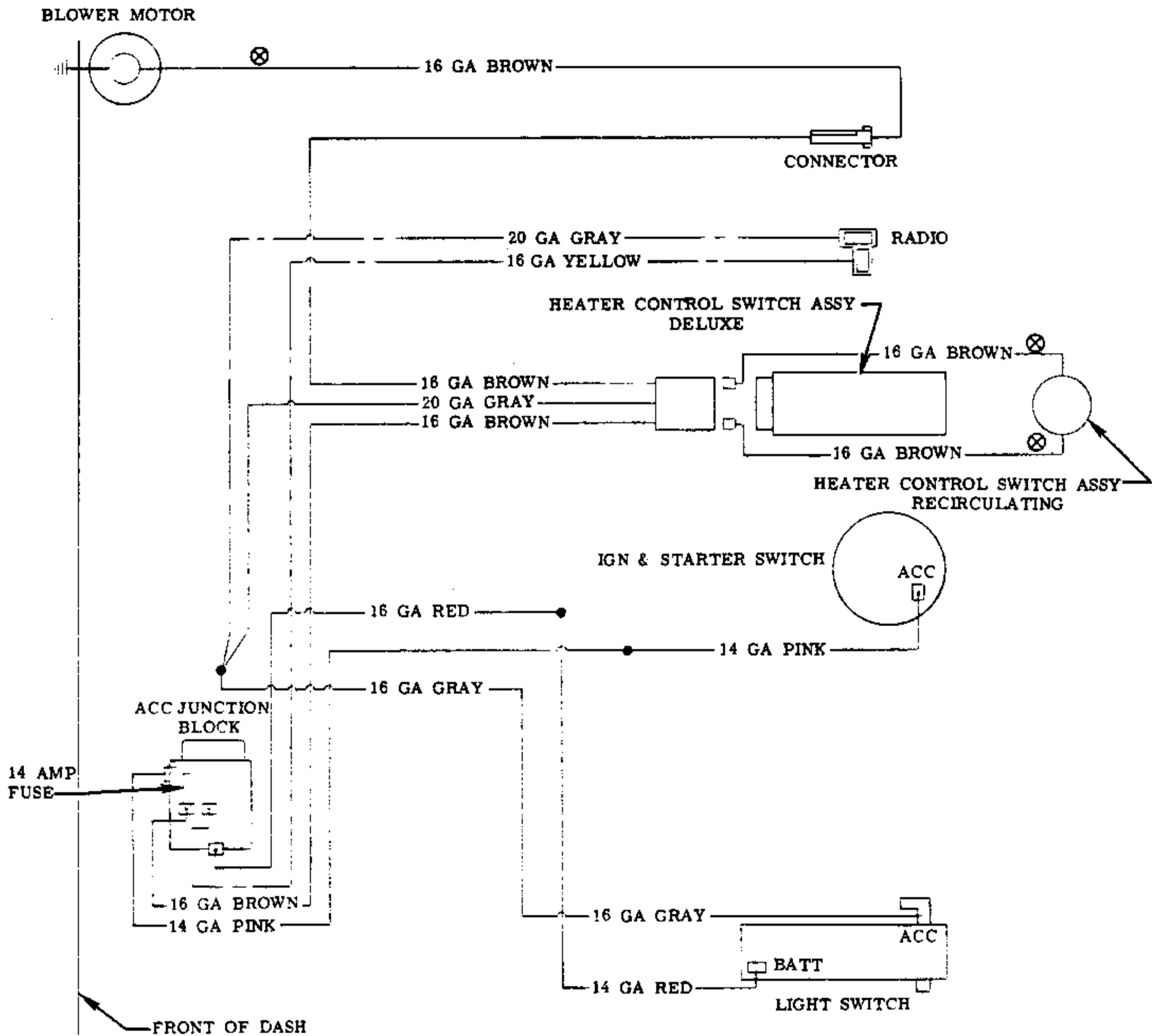
REVISION RECORD					PASSENGER CAR INSTRUCTION MANUAL				
2-15-56	4	PART ADDED	8951	F	REF.	DRAWN	CHECKED	F.O.A	SHEET
	3	WAS 127933	5421	F					
11-21-55	2	NO 3724445 REMOVED	5167		DATE	PART No.			
10-24-55	1	WAS 3724551	3816	F	7-25-55	3726600		101	5.00
DATE	SYM.	REVISION RECORD	AUTH.	DR.	CL.				



CONTROLS INSTRUCTION
(RECIRCULATING)

MODELS
ALL LD

					NAME PASSENGER CAR INSTRUCTION MANUAL					
DATE	SYM.	REVISION RECORD	AUTH.	DR.	CK.	REF.	DRAWN	CHECKED	F.O.A	SHEET
	3	WAS 3134489		7232	F					
2-15-56	2	PART ADDED		6951				F		
11-21-55	1	WAS 127933		5421	F	DATE	PART No.			
						7-25-55	3726600		101	6.00

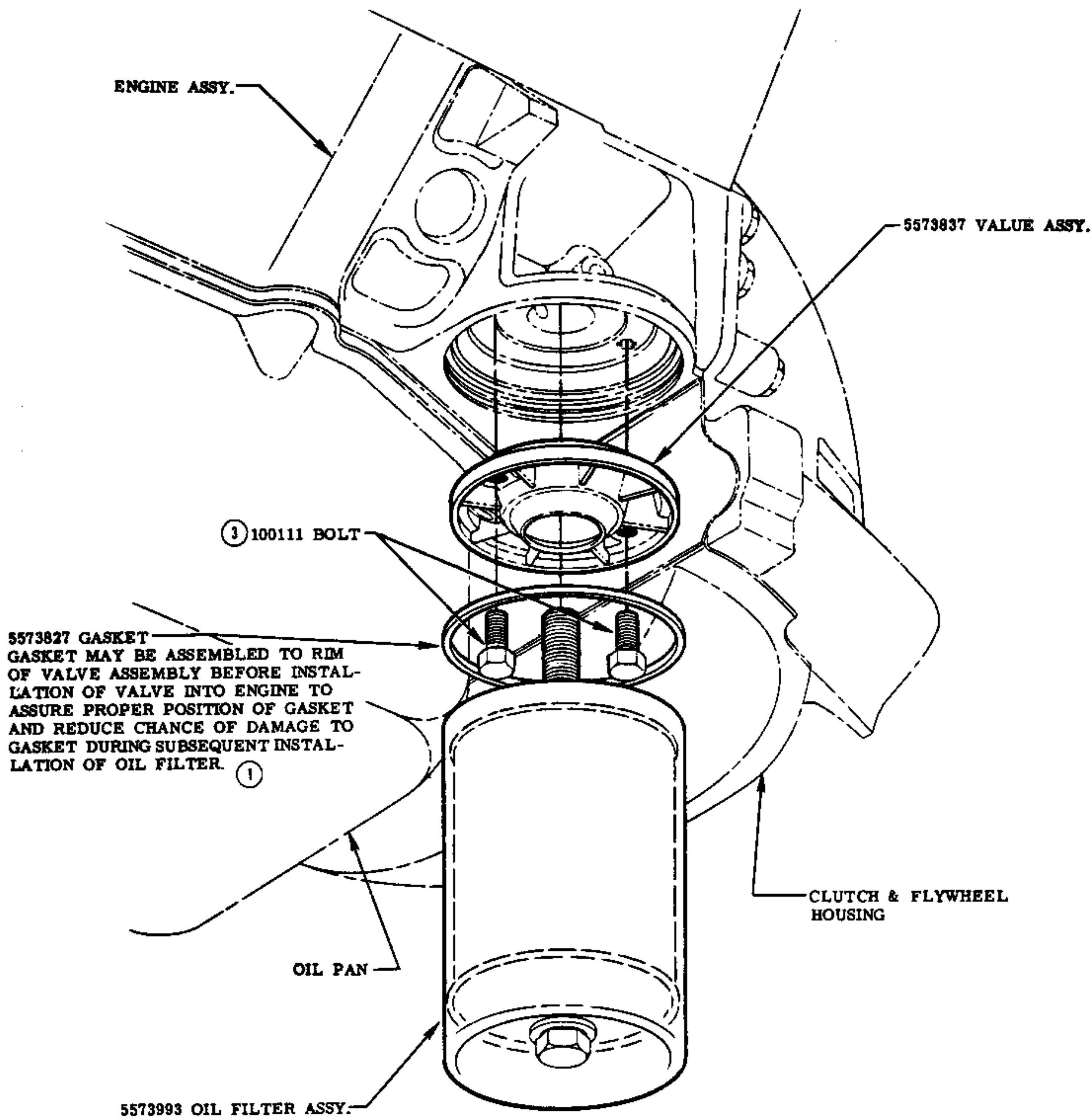


WIRES MARKED ⊗ ARE SUPPLIED WITH EQUIPMENT

MODELS
ALL

WIRING DIAGRAM

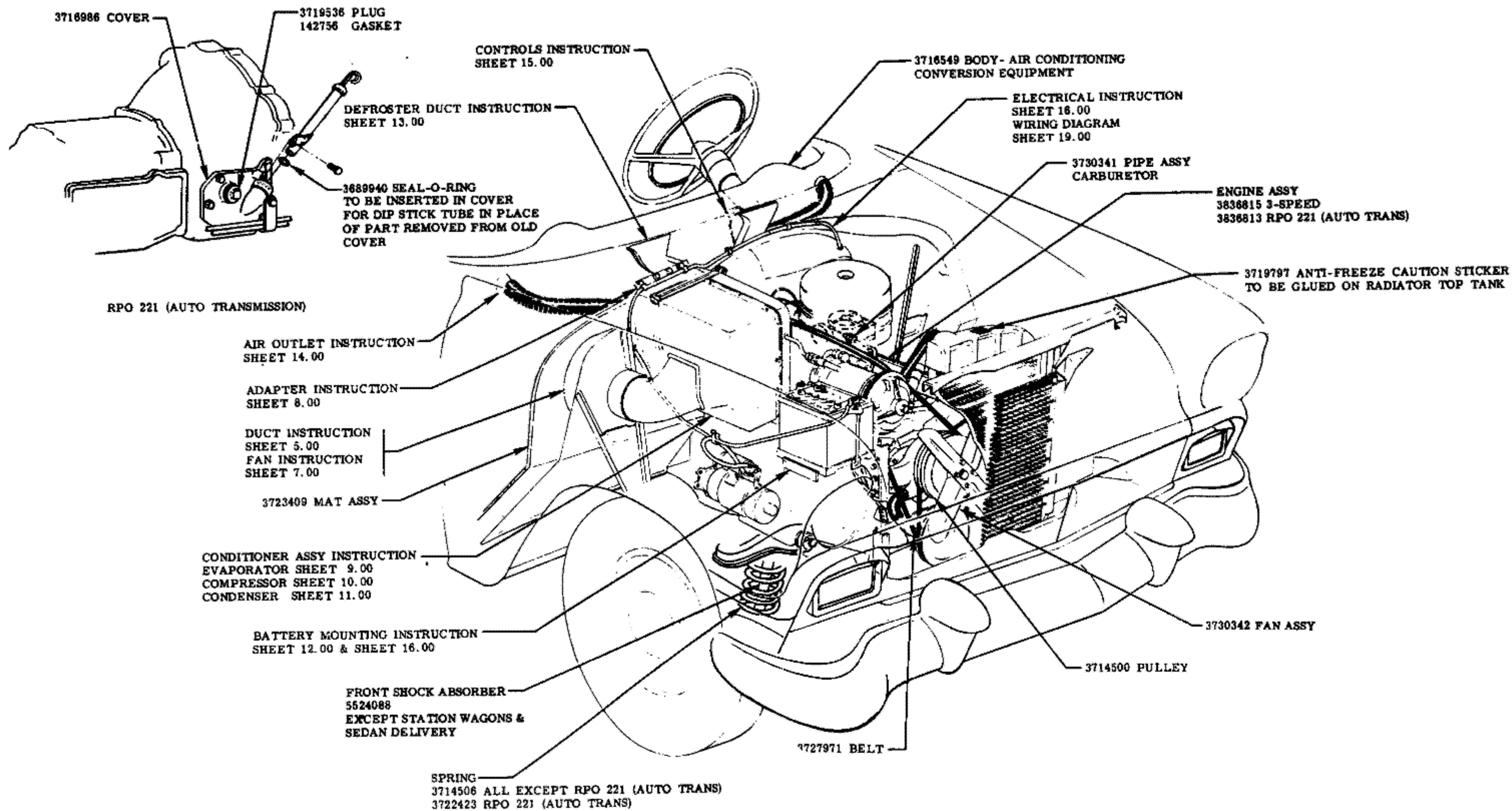
					NAME	PASSENGER CAR INSTRUCTION MANUAL			
					REF.	DRAWN	CHECKED	F. O. A.	SHEET
							RM		
					DATE	PART No.		101	7.00
DATE	SYM.	REVISION RECORD	AUTH.	DR.	CK.	9-23-55	3726600		



② SEE LUBRICATION INSTRUCTION
OIL FILTER INSTRUCTION

MODELS
ALL

					NAME PASSENGER CAR INSTRUCTION MANUAL					
DATE	SYM.	REVISION RECORD	AUTH.	DR.	CK.	REF.	DRAWN	CHECKED	F.O.A.	SHEET
12-5-55	3	WAS 458978	5425		F				F	
11-4-55	2	NOTE ADDED	3471		F					
10-14-55	1	NOTE ADDED	4675		F	DATE 9-1-55	PART No. 3726600		104	1.00

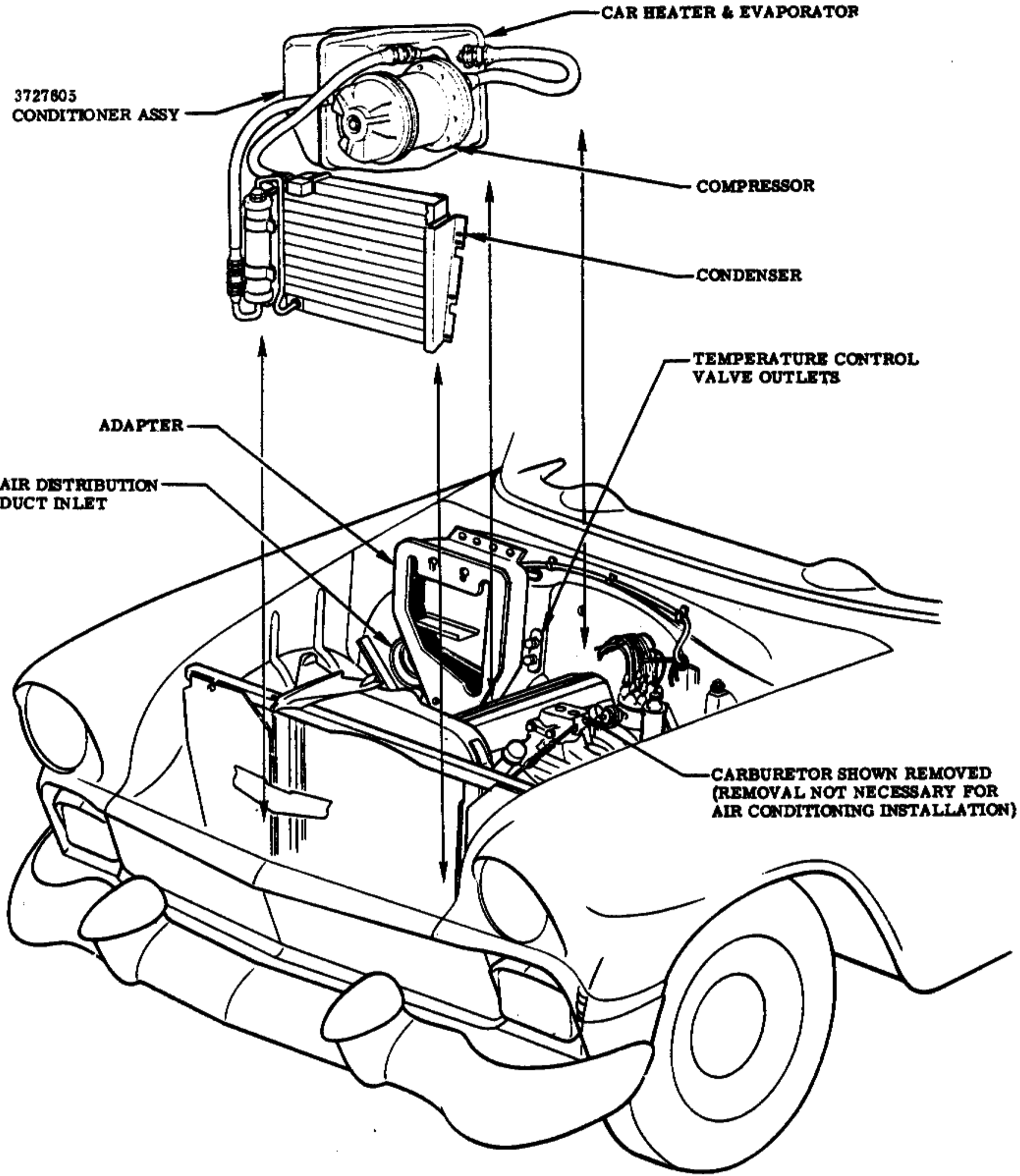


FOR INSTALLATION INSTRUCTION
SEE SHEET 2.00, 3.00 & 4.00
SEE COOLANT CHART SECT. 14

MODELS
ALL
EXCEPT CONV.

AIR CONDITIONING INSTRUCTION

					NAME PASSENGER CAR INSTRUCTION MANUAL				
					REF. 6882	DRAWN	CHECKED	F.O.A.	SHEET
					6865		F	110	1.00
					DATE	PART No.			
DATE	SYM.	REVISION RECORD	AUTH.	DR.	CK.	2-27-56	3726600		



FOR INSTALLATION INSTRUCTIONS
SEE SHEET 4.00

CONDITIONER INSTRUCTION

MODELS
ALL
EXCEPT CONV.

						NAME PASSENGER CAR INSTRUCTION MANUAL				
						REF. 6882 6885	DRAWN	CHECKED F	F. O. A.	SHEET
						DATE 2-27-56	PART No. 3726600		110	2.00
DATE	SYM.	REVISION RECORD	AUTH.	DR.	CK.					

INSTALLATION INSTRUCTIONS

I. BODY ITEMS

A. REMOVE GLOVE BOX FROM BODY AS RECEIVED.

1. DRILL TWO HOLES IN INSTRUMENT PANEL FOR DUCT VALVE CONTROL ROD AND TUBE ASSEMBLY. SEE SHEET 15.00.
2. DRILL TWO HOLES IN INSTRUMENT PANEL FOR THROTTLE CONTROL ROD AND TUBE. SEE SHEET 15.00.
3. DRILL HOLE IN UPPER RIGHT HAND SIDE OF DASH PANEL FOR COMPRESSOR TO EVAPORATOR HOSE CLIP. SEE SHEET 9.00.

B. DRILL HOLE IN DASH PANEL MAT FOR THROTTLE CONTROL ROD AND TUBE ASSEMBLY AND ASSEMBLE MAT TO DASH PANEL. SEE SHEET 15.00.

C. INSTALL RECIRCULATING AIR OPENING COVER PLATE ON LOWER RIGHT HAND SIDE OF DASH PANEL. SEE SHEET 8.00.

D. INSTALL DEFROSTER AIR DUCT ASSEMBLY. SEE SHEET 13.00.

E. INSTALL AIR OUTLETS IN INSTRUMENT PANEL AS FOLLOWS: SEE SHEET 14.00.

1. LEFT HAND

- a. ASSEMBLE INSULATOR TO TUBE USING FRICTION TAPE AS SHOWN.
- b. CEMENT TUBE TO OUTLET.
- c. ROTATE BOTH CLAMPS ON OUTLET ASSEMBLY TOWARD CENTER LINE OF OUTLET TO PERMIT ENTRY THROUGH HOLE IN INSTRUMENT PANEL.
- d. INSERT TUBE AND OUTLET THROUGH HOLE IN INSTRUMENT PANEL PASSING THE TUBE BETWEEN THE DASH PANEL AND THE INNER AND OUTER DASH BRACES. ROTATE CLAMPS BACK UNTIL SCREW ENDS ENTER HOLES IN INSTRUMENT PANEL REINFORCEMENT AND TIGHTEN SECURELY. SEE SHEET 14.00.

2. RIGHT HAND

SAME AS LEFT HAND EXCEPT SHORT TUBE.

F. INSTALL ACCESSORY JUNCTION BLOCK ON DASH PANEL. SEE SHEET 18.00.

G. INSTALL AIR DUCT ASSEMBLY. SEE SHEETS 5.00, 6.00 AND 7.00.

1. SUB-ASSEMBLE AIR DUCT ASSEMBLY AS FOLLOWS:

- a. MOTOR AND FAN ASSEMBLY. SEE SHEET 6.00.
- b. ASSEMBLE MOTOR GROUND STRAP. SEE SHEET 6.00.
- c. ASSEMBLE CAR EVAPORATOR CONTROL THERMO SWITCH ASSEMBLY. SEE SHEET 15.00.
- d. ASSEMBLE CAR HEATER AND EVAPORATOR MOTOR SWITCH RESISTOR. SEE SHEET 17.00.
- e. ASSEMBLE CAR HEATER TEMPERATURE CONTROL CABLE AND GROMMET TO DUCT.
- f. SUB-ASSEMBLE CAR HEATER CONTROL VALVE ASSEMBLY TO CAR HEATER CONTROL VALVE HOUSING. SEE SHEET 7.00.
- g. ASSEMBLE CAR HEATER CONTROL VALVE HOUSING AND VALVE ASSEMBLY TO AIR DUCT. SEE SHEET 5.00.
- h. ASSEMBLE CAR EVAPORATOR CONTROL CABLE ASSEMBLY WHICH MUST PASS ALONG FRONT FACE OF DUCT. SEE SHEET 15.00.
- i. ASSEMBLE CAR HEATER DEFROSTER CONTROL CABLE ASSEMBLY. SEE SHEET 15.00.
- j. ASSEMBLE DUCT VALVE CONTROL ROD AND TUBE ASSEMBLY. ADJUST TO OBTAIN FULL OPENING AND CLOSING. SEE SHEET 15.00.
- k. CEMENT DEFROSTER AIR DUCT SEAL IN PLACE. SEE SHEET 13.00.

2. ASSEMBLE AIR DISTRIBUTION DUCT AND CONTROL CABLE ASSEMBLY ABOVE TO DASH PANEL. SEE SHEET 5.00.

3. REINSTALL GLOVE BOX.

4. ASSEMBLE MOTOR HOUSING INSULATOR TO MOTOR HOUSING ON FRONT SIDE OF DASH PANEL. APPLY SEALER ALL AROUND AND FILL HOLE BETWEEN HOUSING AND DASH

PANEL WITH SEALER. SEE SHEET 5.00.

5. CEMENT EVAPORATOR AIR OUTLET SEAL TO MOTOR HOUSING INSULATOR AND FOLD IT BACK ON ITSELF TO CLEAR EVAPORATOR. SEE SHEET 9.00.
6. ASSEMBLE CAR HEATER CONTROL VALVE SEAL AND RETAINER OVER VALVE TUBES AND AGAINST FRONT OF DASH. SEE SHEET 9.00.
7. ASSEMBLE CAR HEATER CONTROL VALVE HOSE TO LOWER PIPE ON CONTROL VALVE TIGHT ENOUGH TO RETAIN SEAL AND RETAINER AGAINST DASH PANEL. SEE SHEET 9.00.

H. INSTALL EVAPORATOR ADAPTER TO FRONT OF DASH PANEL. SEE SHEET 8.00.

1. CEMENT ADAPTER SEALS TO INSIDE OF ADAPTER ASSEMBLY.
2. SUB-ASSEMBLE OUTSIDE AIR CONTROL CABLE TO ADAPTER ASSEMBLY AND ADJUST TO PROVIDE FULL OPENING AND CLOSING OF ADAPTER OUTSIDE AIR VALVE.
3. FEED OUTSIDE AIR CONTROL CABLE THROUGH HOLE IN FRONT OF DASH PANEL AND SEAL. SEE SHEETS 9.00 AND 15.00.
4. BOLT ADAPTER TO FRONT OF DASH PANEL.

I. INSTALL CONTROLS. SEE SHEET 15.00.

1. ASSEMBLE WIRES TO SWITCH ON TOP OF CONTROL ASSEMBLY. SEE SHEETS 18.00 AND 19.00.
2. INSERT CONTROL ASSEMBLY THROUGH HOLE IN INSTRUMENT PANEL AND DRIVE ATTACHING SCREWS TOP AND BOTTOM. (CONTROL CABLES CAN BE INSTALLED EITHER DURING OR AFTER THIS OPERATION, BUT MUST BE ADJUSTED AFTER.)
3. HOOK UP AND ADJUST CONTROL CABLES.
4. ASSEMBLE DUCT VALVE CONTROL ROD AND TUBE ASSEMBLY TO INSTRUMENT.
5. CLAMP CONTROL CABLES TOGETHER.
6. ASSEMBLE THROTTLE ROD AND TUBE ASSEMBLY TO INSTRUMENT PANEL AND TO FRONT OF DASH PANEL. SEE SHEET 15.00.

7. DRILL OUT GAGE HOLE IN ACCELERATOR LEVER. INSTALL EYE BOLT AND INSTALL ON DASH PANEL. CONNECT THROTTLE ROD AND TUBE ASSEMBLY. SEE SHEET 15.00.

J. WIRING

1. INSTALL WIRING HARNESS.
2. PLUG THREE WAY CONNECTOR INTO PLUG ON BACK OF CONTROL ASSEMBLY. SEE SHEET 18.00.
3. CONNECT WIRES FROM RESISTOR TO BLOWER MOTOR, AIR CONDITIONER SWITCH ON CONTROL ASSEMBLY AND EVAPORATOR CONTROL SWITCH. SEE SHEET 17.00.
4. CONNECT WIRE FROM HARNESS TO EVAPORATOR CONTROL SWITCH AND TO COMPRESSOR. SEE SHEET 16.00.
5. INSTALL FUSE IN JUNCTION BLOCK. SEE SHEET 18.00.

II. ENGINE

- A. INSTALL WATER PUMP AND FAN FRONT PULLEY. SEE SHEET 1.00.
- B. INSTALL HEATER HOSE CONNECTIONS. SEE SHEET 10.00.
- C. INSTALL HEATER HOSES AT ENGINE END AND PLUG ENDS. (USE 5/8-INCH DIA. WOOD OR METAL PLUG AND STANDARD CLAMP.) SEE SHEET 10.00.
- D. INSTALL AIR COMPRESSOR SUPPORT AS FOLLOWS: SEE SHEET 10.00.
 1. SUB-ASSEMBLE AIR COMPRESSOR BRACE TO AIR COMPRESSOR SUPPORT.
 2. SUB-ASSEMBLE COMPRESSOR REAR MOUNTING BRACKET (PIVOT BOLT NUT LEFT LOOSE FOR EASY REMOVAL).
 3. INSTALL AIR COMPRESSOR SUPPORT ASSEMBLY ON ENGINE ASSEMBLY PULLING THE UPPER HEATER HOSE UP THROUGH THE HOLE IN THE TOP SURFACE OF THE SUPPORT AND SHIMMING AS REQUIRED AT THE ATTACHMENT TO THE MANIFOLD.
- E. INSTALL BATTERY GROUND STRAP. SEE SHEET 16.00.

CONTINUED ON SHEET 4.00.

MODELS
ALL
EXCEPT CONV.

INSTALLATION INSTRUCTIONS

					NAME PASSENGER CAR INSTRUCTION MANUAL				
					REF. 6682	DRAWN	CHECKED	F.O.A.	SHEET
					6865		F	110	3.00
					DATE	PART No.			
					2-27-56	3726600			
DATE	SYM.	REVISION RECORD	AUTH.	DR.	CK.				



INSTALLATION INSTRUCTIONS

III. SHEET METAL

- A. DRILL THREE 3/8-INCH DIA. HOLES IN RADIATOR SUPPORT TO DIMENSIONS SHOWN ON SHEET 12.00. (3714600 BRACE MAY BE USED AS A TEMPLATE.)
- B. ASSEMBLE BATTERY SUPPORT BRACE TO RADIATOR SUPPORT ASSEMBLY. SEE SHEET 12.00.
- C. DRILL THREE 3/8-INCH DIA. HOLES IN RIGHT HAND FENDER SKIRT. SEE SHEET 12.00.
- D. ASSEMBLE FRONT END SHEET METAL IN NORMAL MANNER.
- E. SPOTWELD 3714604 BRACKET TO BATTERY SUPPORT 5 PLACES.
- F. DRILL TWO 3/8-INCH DIA. HOLES IN 3710339 BATTERY SUPPORT.
- G. ASSEMBLE BATTERY SUPPORT TO FENDER SKIRT AND BRACE.
- H. DRILL 3/8-INCH DIA. HOLE IN TIE BAR. SEE SHEET 11.00.
- I. SPOTWELD 3720972 BRACKET TO BATTERY RETAINER - 3 PLACES.

IV. INSTALLATION OF AIR CONDITIONING UNIT.

A. CAR PREPARATION.

- 1. REMOVE HOOD AND HINGES FROM BODY.
- 2. REMOVE AIR CLEANER COVER OPENING IN TOP OF CARBURETOR.
- 3. REMOVE BATTERY.
- 4. REMOVE ATTACHING BOLTS FROM HORNS AND ALLOW THEM TO HANG.
- 5. REMOVE FRONT FENDER BAFFLE TO RADIATOR SUPPORT BOLT.
- 6. SUB-ASSEMBLE EVAPORATOR YOKE. LAY A BEAD SEALER IN IT AND HANG IT OVER THE EVAPORATOR ADAPTER ON DASH.

B. INSTALLATION

- 1. TURN THE SHIPPING CRATE UPSIDE DOWN SO THAT THE EVAPORATOR AND COMPRESSOR ARE ATTACHED TO THE TOP OF THE CRATE.

- 2. USING A HOOK THAT WILL KEEP THE BASE OF THE CRATE LEVEL ATTACH A CHAIN FALL OR HOIST TO THE BASE OF THE CRATE.
- 3. REMOVE THE FOUR SIDES AND BOTTOM OF THE CRATE AND TURN CONDENSER TO CAR MOUNTING POSITION. HANG THE CONDENSER FROM THE FORWARD END OF THE CRATE BASE USING METAL HOOKS THROUGH TOP HOLES IN MOUNTING FLANGES.
- 4. RAISE THE UNIT OVER THE FRONT OF THE VEHICLE IN APPROXIMATELY CAR POSITION. SEE SHEET 2.00.
- 5. REMOVE THE CONDENSER FROM ITS HOOKS AND BOLT IT SECURELY INTO POSITION IN FRONT OF THE RADIATOR. REINSTALL HORNS. SEE SHEET 11.00.
- 6. REMOVE THE PIVOT BOLT NUT AND LOCK-WASHER FROM COMPRESSOR SUPPORT ON ENGINE. SEE SHEET 11.00.
- 7. REMOVE THE U-BOLT HOLDING THE COMPRESSOR TO THE CRATE BASE AND LOWER THE COMPRESSOR INTO POSITION WITH THE PIVOT BOLT THROUGH THE FRONT MOUNTING BRACKET AND REPLACE THE NUT AND WASHER ON PIVOT BOLT.
- 8. DRIVE THE TWO BOLTS FOR ATTACHING THE REAR MOUNTING BRACKET TO THE COMPRESSOR.
- 9. DRIVE THE BOLT ATTACHING THE BRACE TO THE OUTER SIDE OF THE COMPRESSOR WITH THE COMPRESSOR IN ITS UPPERMOST POSITION.
- 10. CUT THE BANDS HOLDING THE EVAPORATOR TO THE CRATE BASE AND LOWER IT INTO POSITION ENGAGING THE TWO STUDS ON THE REAR OF THE EVAPORATOR INTO THE TWO SLOTS IN THE ADAPTER. THIS WILL SUPPORT THE EVAPORATOR. SEE SHEET 9.00.
- 11. MOVE THE EVAPORATOR YOKE INTO POSITION OVER THE FLANGES ON BOTH ADAPTER AND EVAPORATOR AND TIGHTEN SECURELY. SEE SHEET 9.00.
- 12. FOLD SLEEVE ON BLOWER HOUSING OVER THE EXTENSION ON THE LOWER RIGHT HAND SIDE OF THE EVAPORATOR. SEE SHEET 9.00.
- 13. CONNECT LOWER HOSE ON HOT WATER VALVE TO TUBE ON EVAPORATOR.
- 14. INSTALL UPPER HOSE ON UPPER FITTING ON WATER VALVE.

- 15. CONNECT LOWER HEATER HOSE TO FITTING ON BOTTOM OF EVAPORATOR.
- 16. INSTALL CLIP HOLDING COMPRESSOR TO EVAPORATOR LINE TO DASH PANEL.
- 17. INSTALL AND TENSION FAN BELT.
- 18. INSTALL HOSE RETAINER ON TOP OF RADIATOR SUPPORT. SEE SHEET 11.00.
- 19. INSTALL AIR CLEANER.

V. INSPECTION AND TEST PROCEDURE.

IN ORDER TO ASSURE PROPER OPERATION OF THIS UNIT, THE FOLLOWING STEPS SHOULD BE TAKEN:

- A. BEFORE REMOVAL OF THE AIR CONDITIONING UNIT FROM THE CRATE, REMOVE THE LONG TAPERED CAP FROM EITHER OF THE VALVES ON THE REAR END OF THE COMPRESSOR. USING A CORNER OF THE CAP, DEPRESS VALVE CORE MOMENTARILY. IF REFRIGERANT PRESSURE ESCAPES, THE SYSTEM IS CHARGED. IF NOT, THIS UNIT SHOULD NOT BE INSTALLED.
- B. AFTER THE SYSTEM HAS BEEN INSTALLED, THE FOLLOWING CHECKS SHOULD BE MADE IN THE OPEN AIR OR A PLACE WITH ADEQUATE MOVEMENT OF FRESH AIR.
 - 1. ALL REFRIGERATION CONNECTIONS SHOULD BE CHECKED WITH A LEAK DETECTOR OF THE ALCOHOL TORCH TYPE AS SUPPLIED BY FRIGIDAIRE. THIS TORCH BURNS ONLY CLEAR ETHYL ALCOHOL AND A LEAK OF ONLY ONE POUND OF REFRIGERANT IN 13 YEARS CAN BE READILY DETECTED. WHEN OPERATING PROPERLY, THE FLAME IN THE LEAK DETECTOR BURNS WITH A CLEAR, ALMOST INVISIBLE FLAME, BUT WHEN A LEAK IS DETECTED, IT TURNS A BRILLIANT GREEN.
- C. IN ORDER TO CHECK THE PROPER FUNCTIONING OF A COMPLETED JOB, PROCEED AS FOLLOWS:
 - 1. CLOSE ALL CAR DOORS AND WINDOWS.
 - 2. SET ENGINE FOR SLOW IDLE AND RUN FOR SEVERAL MINUTES TO CLEAR COMPRESSOR OF REFRIGERANT.
 - ① 3. SET CARBURETOR TO RUN AT 1500 RPM. SET AIR CONDITIONING CONTROL TO COLDEST POSITION, BLOWER TO HIGH SPEED, AND SET CONTROL FOR INSIDE AIR. ALLOW ENGINE TO OPERATE FOR APPROXIMATELY 5 MINUTES OR UNTIL THERMOSTAT STOPS THE COMPRESSOR, WHILE ENGINE AND COMPRESSOR ARE OPERATING, CHECK THROUGH CLEAR

SIGHT GLASS. PRESENCE OF AIR BUBBLES, INDICATES INSUFFICIENT REFRIGERANT.

- 4. USING A TEMPERATURE TEST METER WITH A DIAL READING OF 0° TO 120°F, AND AT LEAST A TWO POSITION SELECTOR SWITCH AND TWO JACKS WITH 12-1/2 FEET OF BULB WIRE, WE CAN CHECK TEMPERATURES AT TWO DIFFERENT POINTS BY MERELY TURNING THE SELECTOR SWITCH, WITH THE TWO LEADS CONNECTED TO THE METER, THE FREE END OF NUMBER ONE SHOULD BE PLACED IN THE RIGHT HAND DISCHARGE NOZZLE AND NUMBER TWO IN THE RECIRCULATING AIR OPENING IN THE DASH BELOW THE AIR DUCT. THE FOLLOWING READINGS INDICATE SATISFACTORY OPERATION.

RETURN AIR #2	DISCHARGE AIR #1
70° - 80°F.	Max. 50°F.
80° - 90°F.	Max. 56°F.
90° - 100°F.	Max. 58°F.

IF THE PROPER RELATIONSHIP EXISTS BETWEEN THE ABOVE, THE SYSTEM SHOULD CONTINUE TO RUN UNTIL THE THERMOSTAT CYCLES AND STOPS THE COMPRESSOR. THIS CAN BE READILY DETERMINED BY THE SCREW CAP ON THE EXTREME FRONT OF THE COMPRESSOR. IF THIS IS STATIONARY, THE COMPRESSOR IS NOT OPERATING.

- ② 5. SET ENGINE FOR SLOW IDLE, AND RUN FOR SEVERAL MINUTES TO CLEAR COMPRESSOR OF REFRIGERANT. PULL THROTTLE ROD OUT UNTIL THE ENGINE REACHES 900 R.P.M. BUTT GUIDE NEAREST DASH PANEL AGAINST SHEATH OF BOWDEN CABLE AND SECURE WITH SET SCREW.

D. THE HEATING SYSTEM CAN BE CHECKED BY THROWING THE HEAT SWITCH TO FULL ON POSITION AND CHECKING FOR WARM AIR.

INSTALLATION INSTRUCTIONS

MODELS
ALL
EXCEPT CONV.

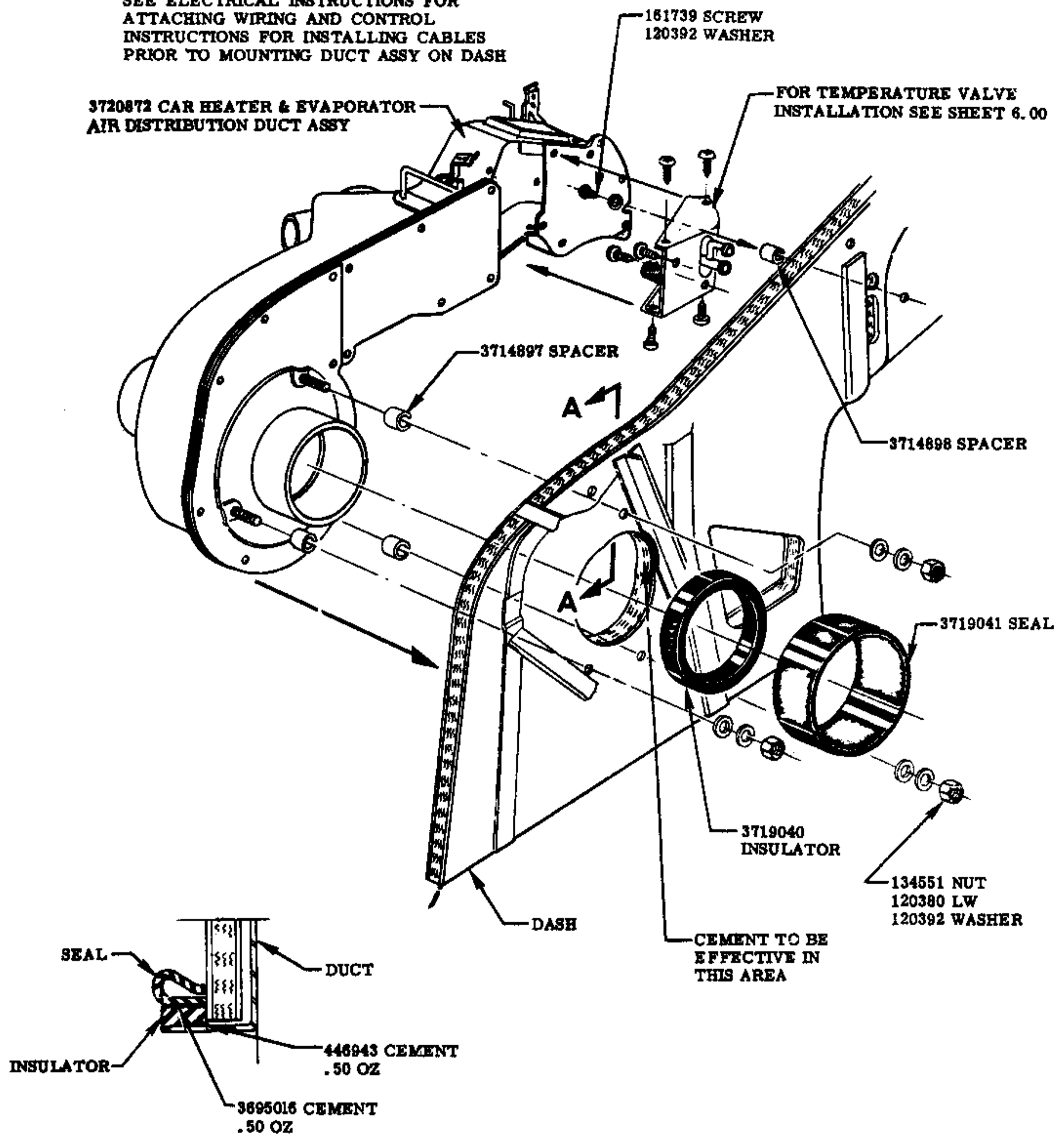
		NAME PASSENGER CAR INSTRUCTION MANUAL					
		REF. 6682	DRAWN	CHECKED	F.O.A.	SHEET	
	2	NOTE ADDED		F			
4-2-58	1	WAS 2000 R.P.M.	8562				
DATE	SYM.	REVISION RECORD	AUTH.	DR.	CK.	DATE	PART No.
						2-27-58	3726600
						110	4.00

SEE ELECTRICAL INSTRUCTIONS FOR
ATTACHING WIRING AND CONTROL
INSTRUCTIONS FOR INSTALLING CABLES
PRIOR TO MOUNTING DUCT ASSY ON DASH

3720872 CAR HEATER & EVAPORATOR
AIR DISTRIBUTION DUCT ASSY

181739 SCREW
120392 WASHER

FOR TEMPERATURE VALVE
INSTALLATION SEE SHEET 6.00



SECTION A-A

MODELS
ALL
EXCEPT CONV.

DUCT INSTRUCTION

					NAME PASSENGER CAR INSTRUCTION MANUAL				
					REF. 6882	DRAWN	CHECKED	F.O.A.	SHEET
					6885		F		
					DATE	PART No.		110	5.00
					2-27-56	3726600			
DATE	SYM.	REVISION RECORD	AUTH.	DR.	CK.				

CUT OUT IN DASH BOARD
COMPRESS OR REMOVE
SUFFICIENT AMOUNT OF
FIBERS TO GIVE TIGHT
FIT WITHOUT STRAINING
HOUSING WHEN DUCT IS
INSTALLED ON DASH PANEL

3717369 GROMMET

CABLE ASSY

.12 MAX

161788 SCREW

3727607 VALVE ASSY

3715859 HOUSING

CAR HEATER & EVAPORATOR
AIR DISTRIBUTION DUCT

273446 SCREW

CABLE TO CONTROL ASSY
(SEE SHEET 15.00)

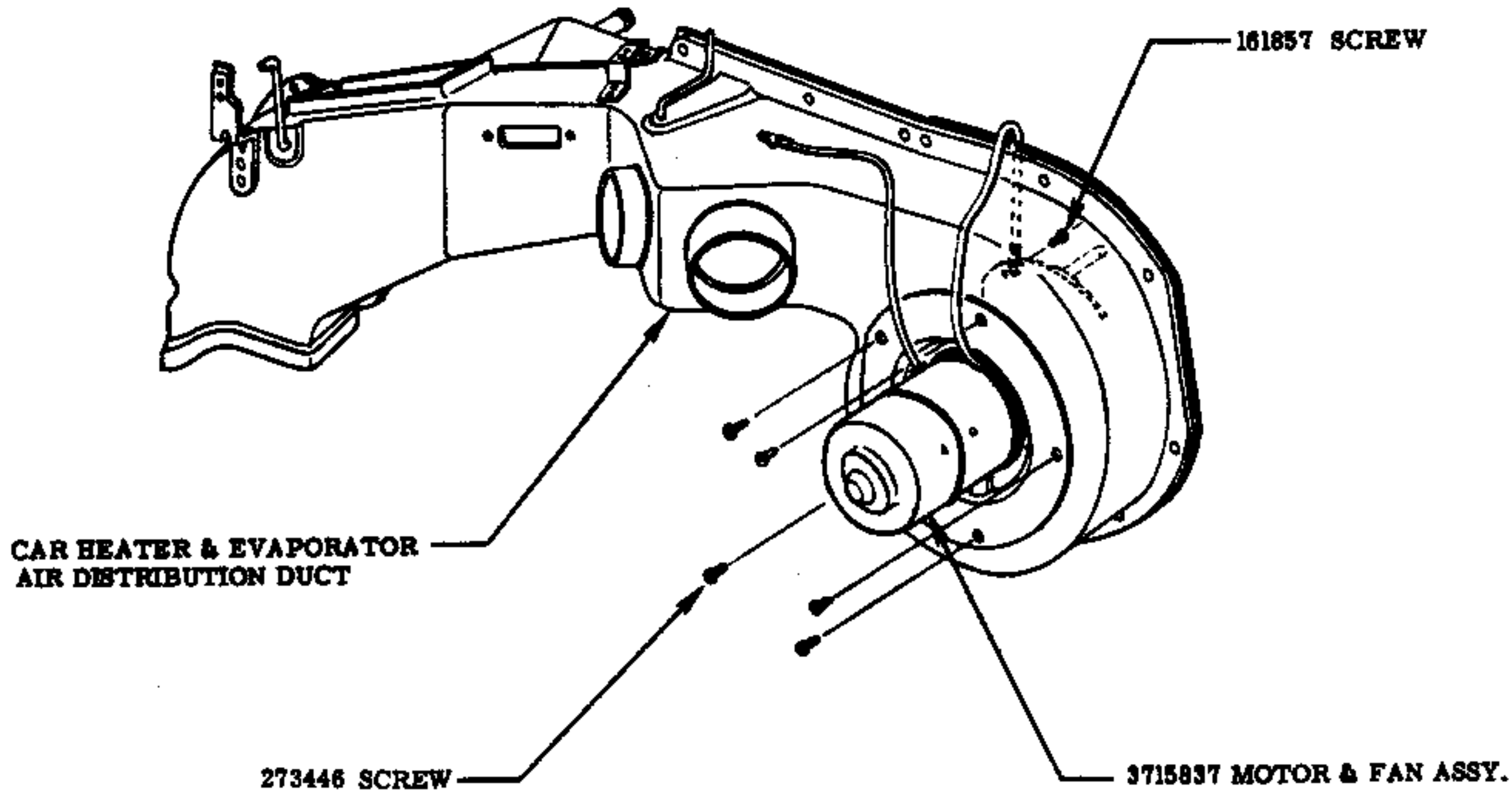
ASSEMBLE VALVE HOUSING TO
DISTRIBUTION DUCT PRIOR TO
INSTALLATION OF DUCT TO
DASH PANEL (SEE SHEET 5.00)

273446 SCREW

DUCT INSTRUCTION

MODELS
ALL
EXCEPT CONV.

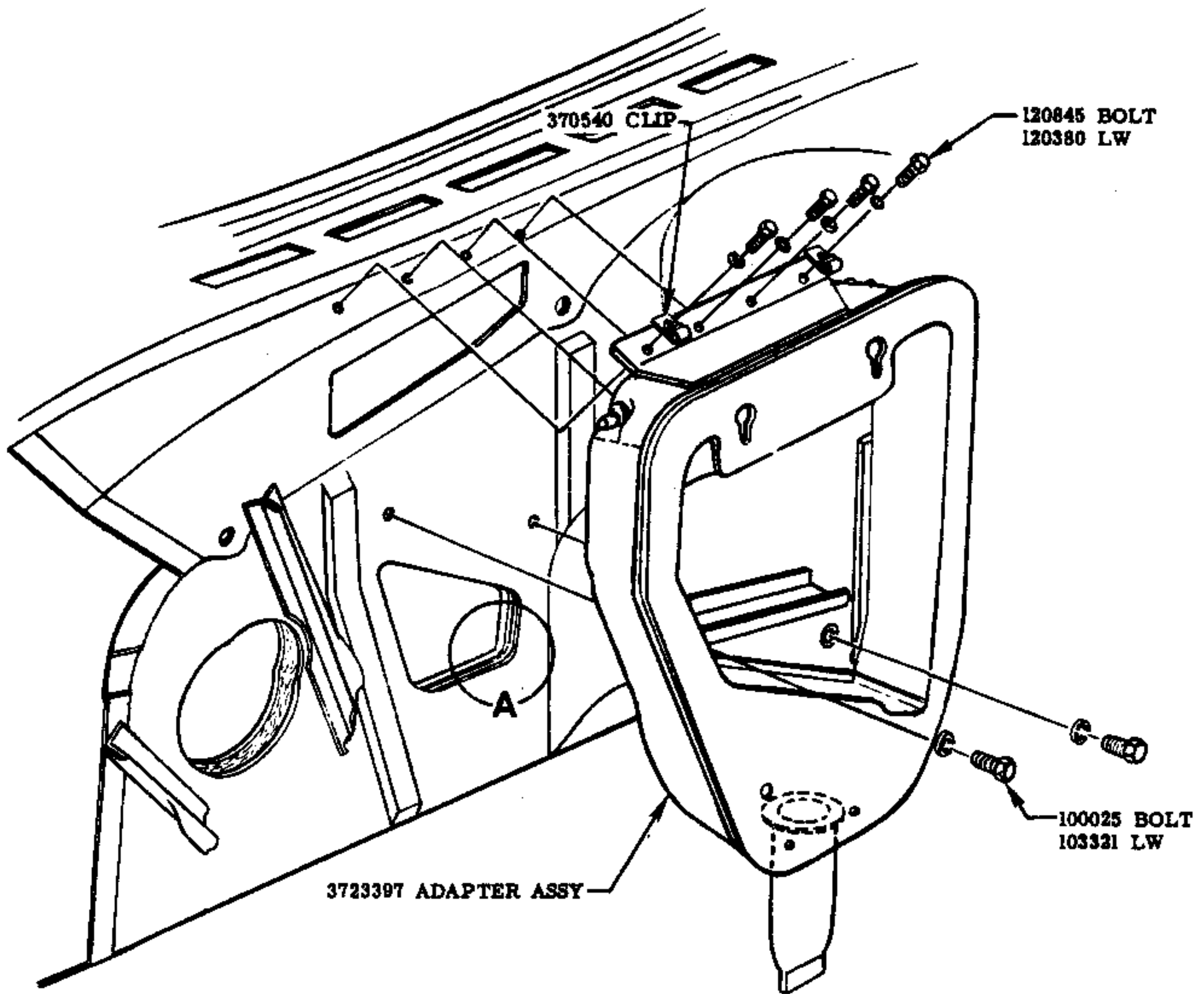
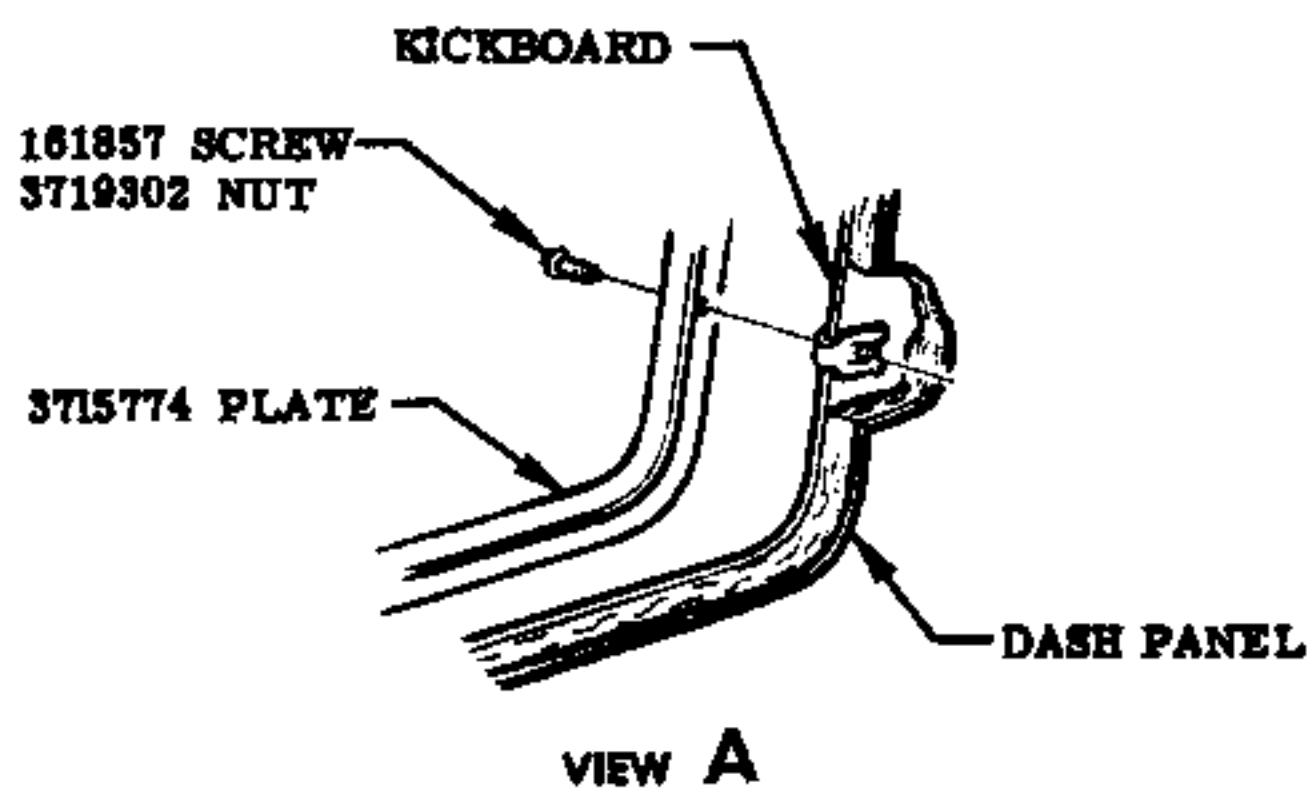
						NAME PASSENGER CAR INSTRUCTION MANUAL				
						REF. 6882 6865	DRAWN	CHECKED F	F.O.A.	SHEET
						DATE 2-27-56	PART No. 3726600		110	6.00
DATE	SYM.	REVISION RECORD	AUTH.	DR.	CK.					



FAN INSTRUCTION

**MODELS
ALL
EXCEPT CONV.**

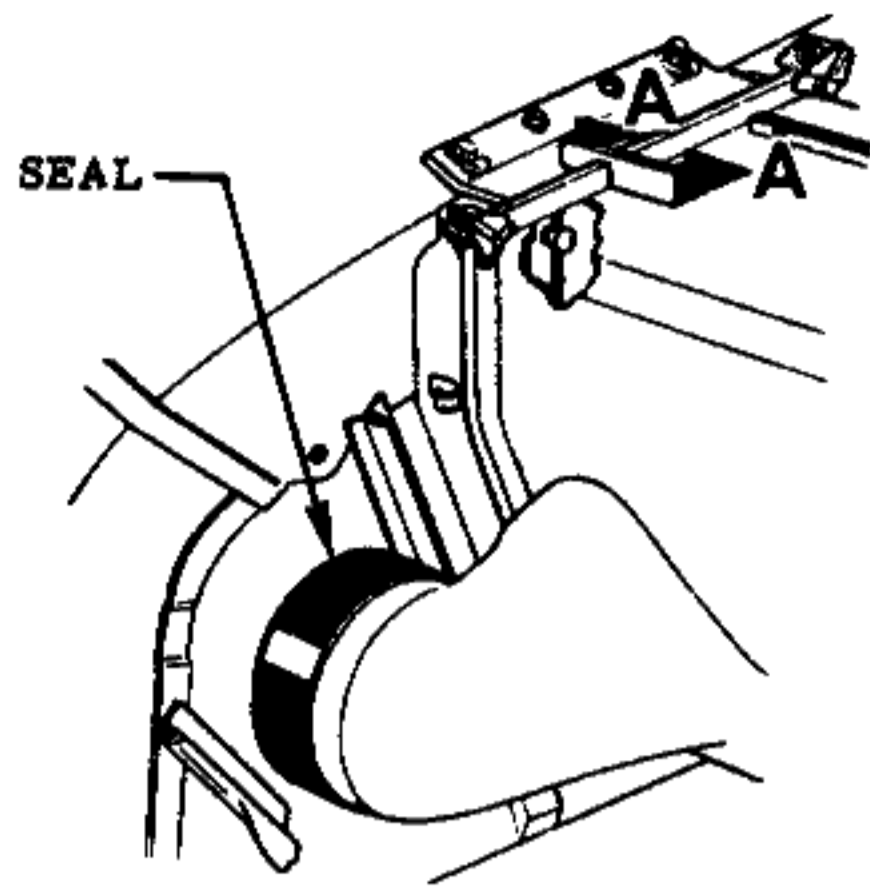
						NAME PASSENGER CAR INSTRUCTION MANUAL				
						REF. 6882	DRAWN	CHECKED	F.O.A.	SHEET
						6885		F		
						DATE	PART No.		110	7.00
DATE	SYM.	REVISION RECORD	AUTH.	DR.	CK.	2-27-56	3726600			



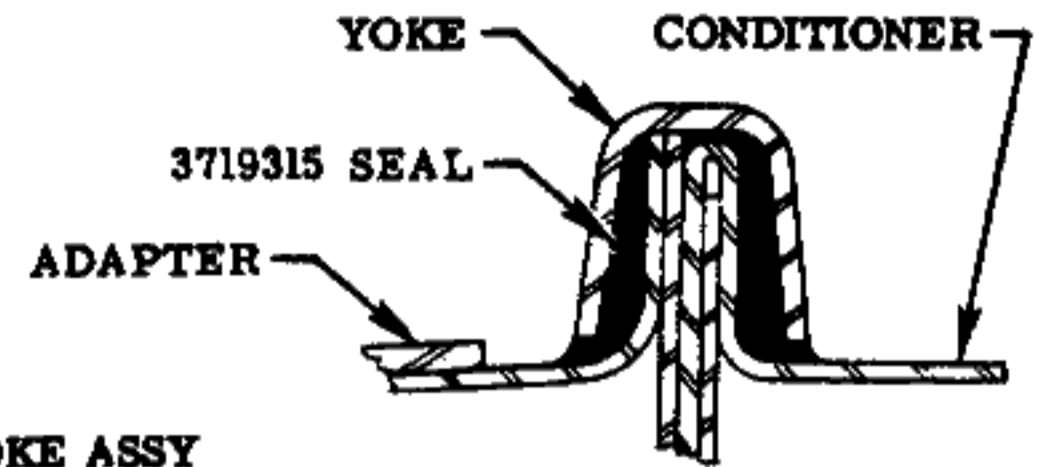
MODELS
ALL
EXCEPT CONV.

EVAPORATOR ADAPTER INSTRUCTION

						NAME PASSENGER CAR INSTRUCTION MANUAL				
						REF. 6882 6865	DRAWN	CHECKED F	F.O.A.	SHEET
						DATE 2-27-56	PART No. 3726600		110	8.00
DATE	SYM.	REVISION RECORD	AUTH.	DR.	CK.					



LAY 1/4 DIA. BEAD OF CEMENT ALL AROUND IN YOKE BEFORE CLAMPING TO CONDITIONER CASE

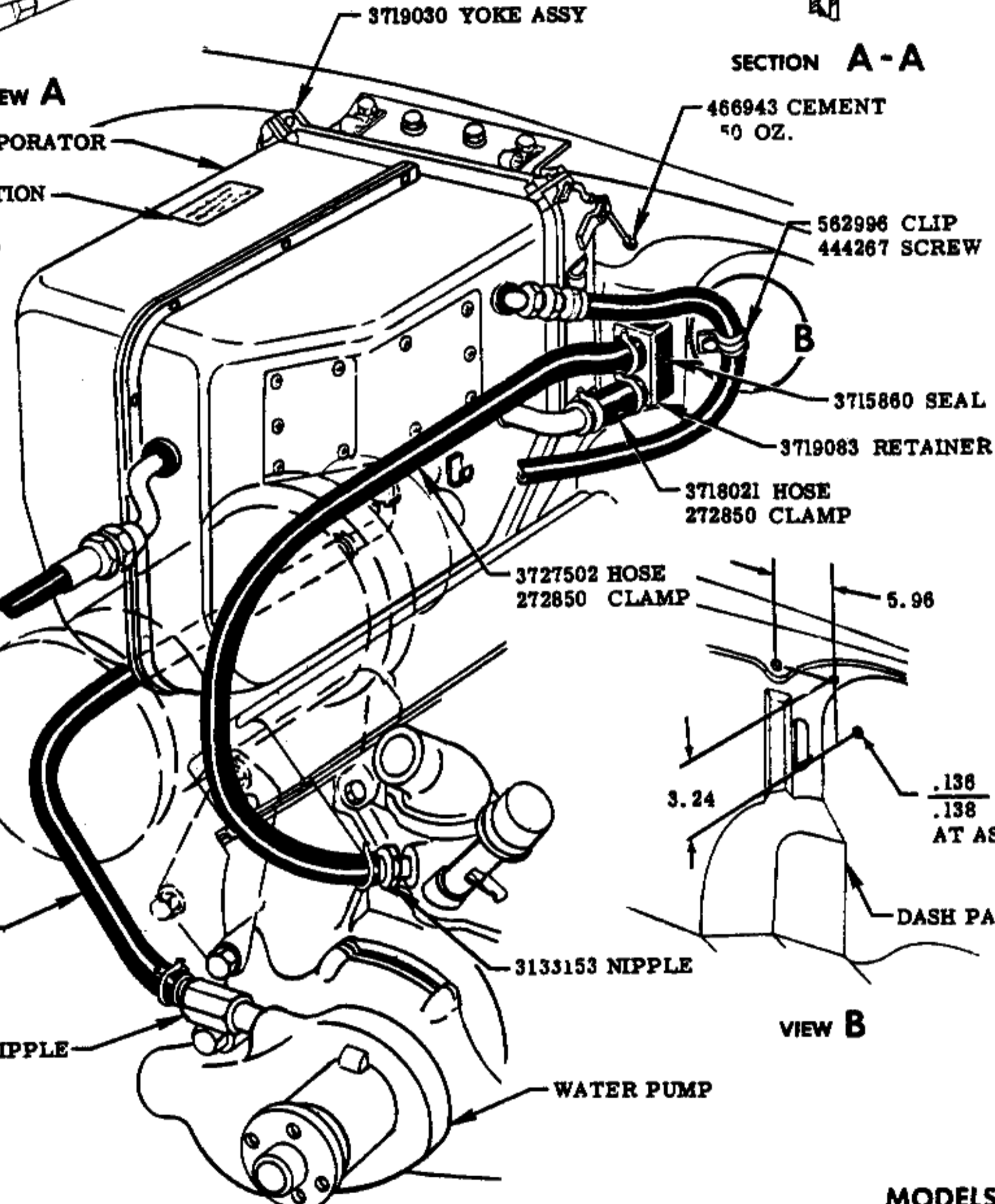


SECTION A-A

VIEW A

CAR HEATER & EVAPORATOR

3719797 ANTI-FREEZE CAUTION STICKER TO BE GLUED ON EVAPORATOR HOUSING IN A CONSPICUOUS LOCATION



VIEW B

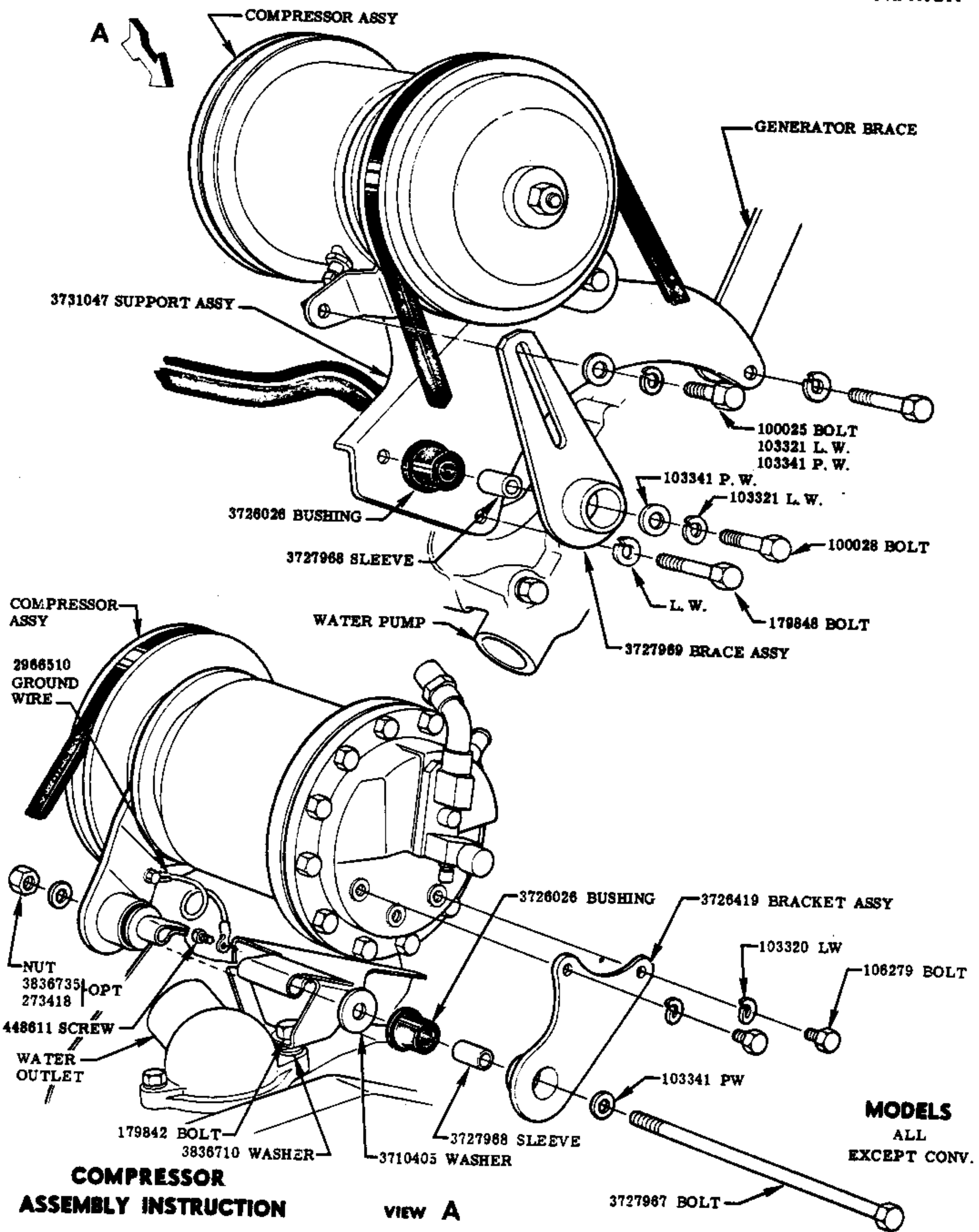
COMPRESSOR ASSY (SEE SHEET 10.00)

3704944 HOSE 272850 CLAMP

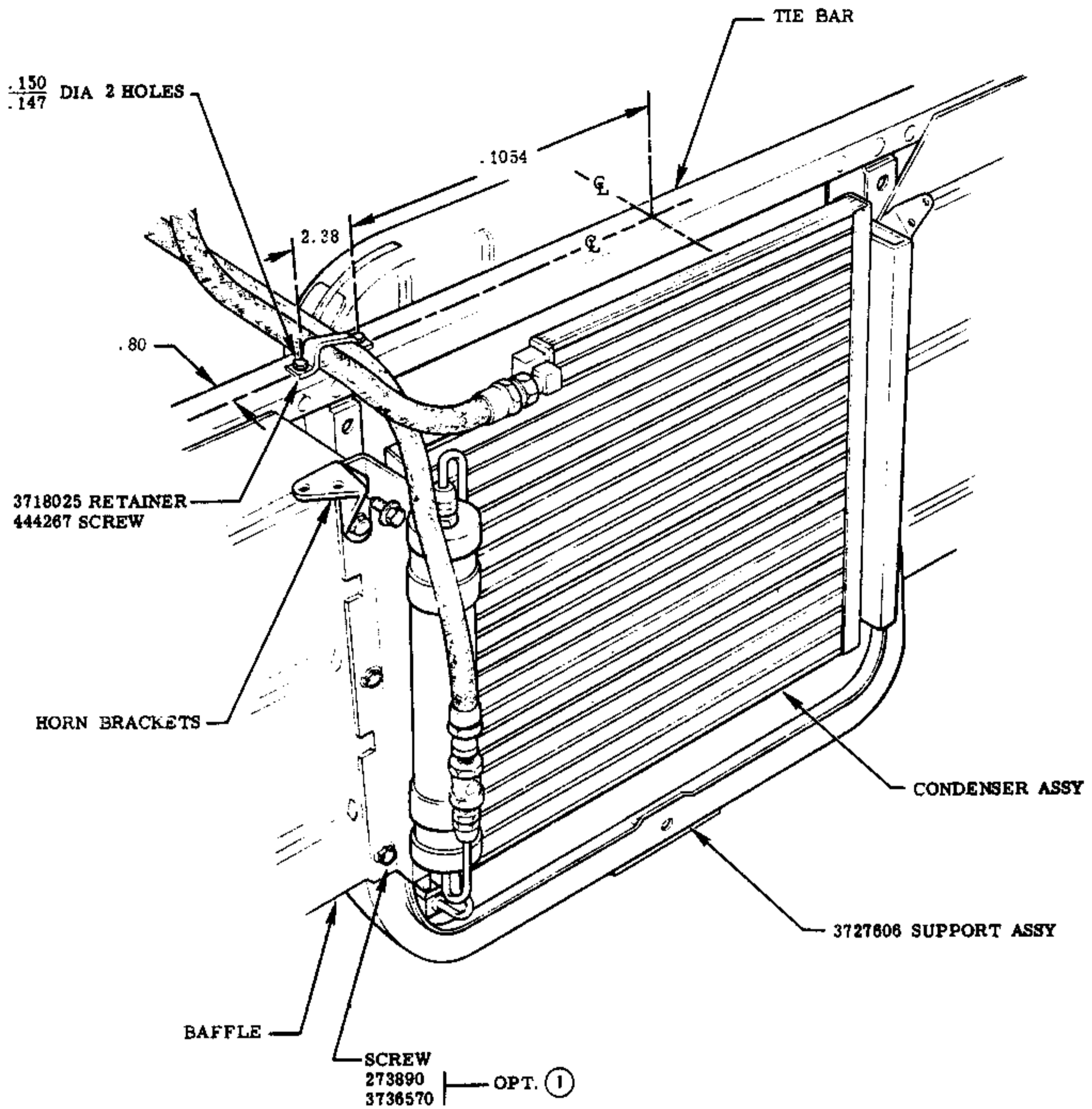
CAR HEATER & EVAPORATOR ASSEMBLY INSTRUCTION

MODELS ALL EXCEPT CONV.

					NAME PASSENGER CAR INSTRUCTION MANUAL					
					REF. 6882	DRAWN		CHECKED	F.O.A.	SHEET
					6885			F		
					DATE 2-27-56	PART No.		110		9.00
DATE	SYM.	REVISION RECORD	AUTH.	DR.	CK.	3726600				



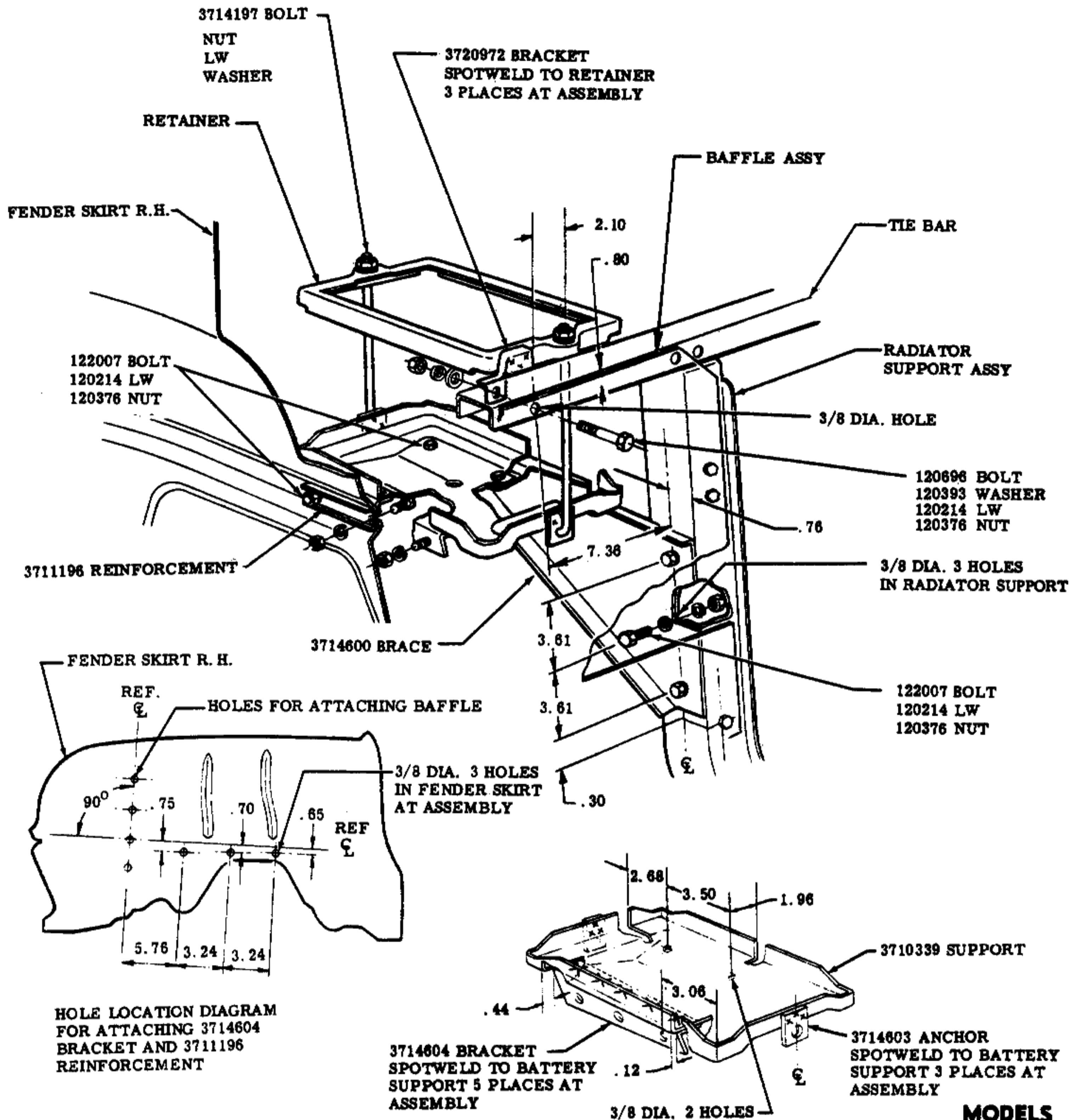
					NAME PASSENGER CAR INSTRUCTION MANUAL				
					REF. 6882	DRAWN	CHECKED	F.O.A.	SHEET
					6865		F		
					DATE	PART No.	110-10.00		
DATE	SYN.	REVISION RECORD	AUTH.	DR.	2-27-56	3726600			



CONDENSER ASSEMBLY INSTRUCTION

MODELS
ALL
EXCEPT CONV.

					NAME	PASSENGER CAR INSTRUCTION MANUAL			
					REF. 6882 6885	DRAWN	CHECKED F	F.O.A.	SHEET
4-23-58	1	WAS 273573 & 3730909	8466	F	DATE	PART No.		110	11.00
DATE	SYM.	REVISION RECORD	AUTH.	DR.	CK.	3726600			



HOLE LOCATION DIAGRAM
FOR ATTACHING 3714604
BRACKET AND 3711196
REINFORCEMENT

3714604 BRACKET
SPOTWELD TO BATTERY
SUPPORT 5 PLACES AT
ASSEMBLY

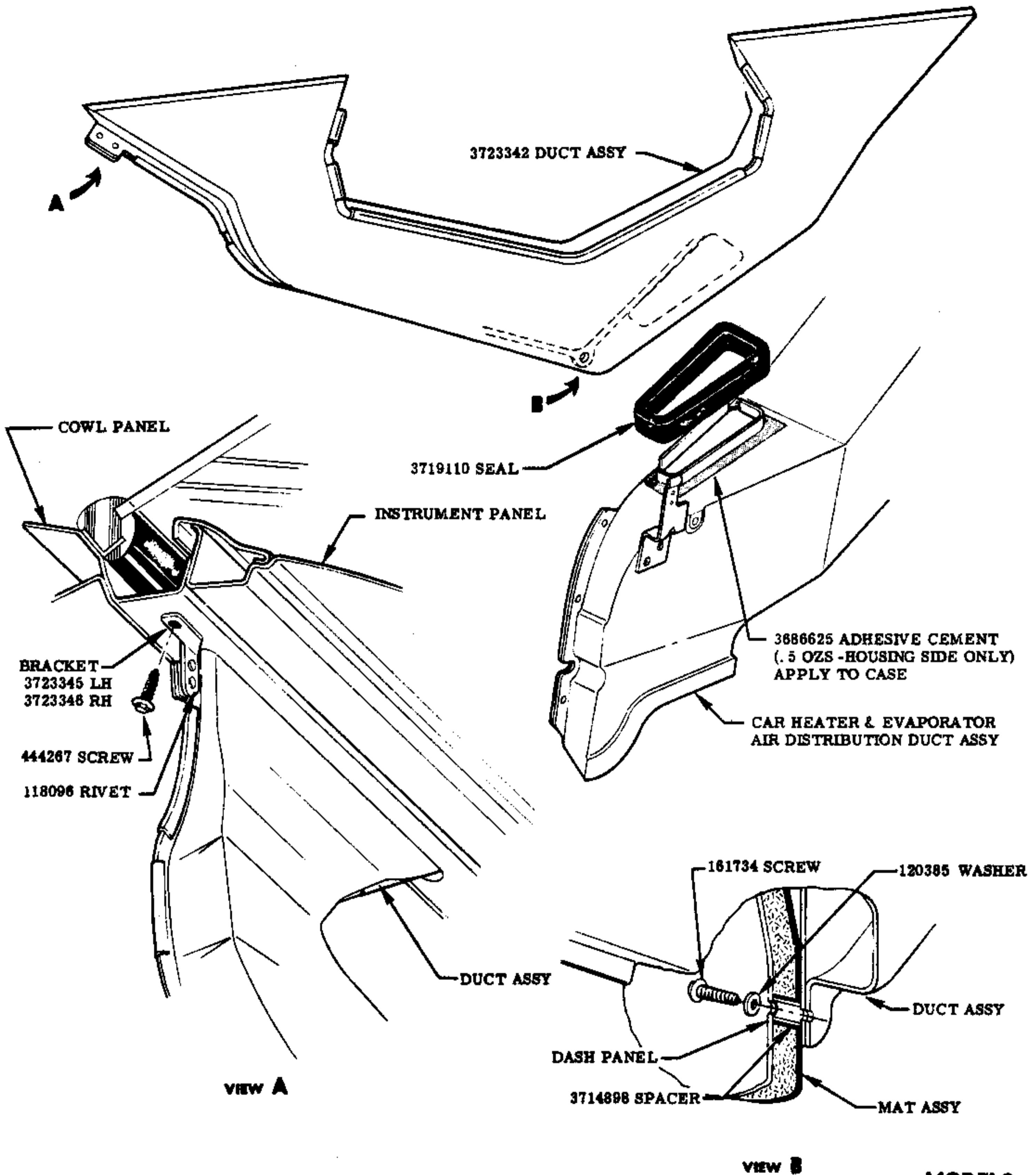
FOR BATTERY WIRING INSTRUCTIONS SEE SHEET 16.00

BATTERY MOUNTING INSTRUCTION

MODELS

ALL
EXCEPT CONV.

						NAME	PASSENGER CAR INSTRUCTION MANUAL			
						REF. 6682 6665	DRAWN	CHECKED F	F.O.A.	SHEET
						DATE 2-27-58	PART No.	3726600		110 12.00
DATE	SYM.	REVISION RECORD	AUTH.	DR.	CK.					

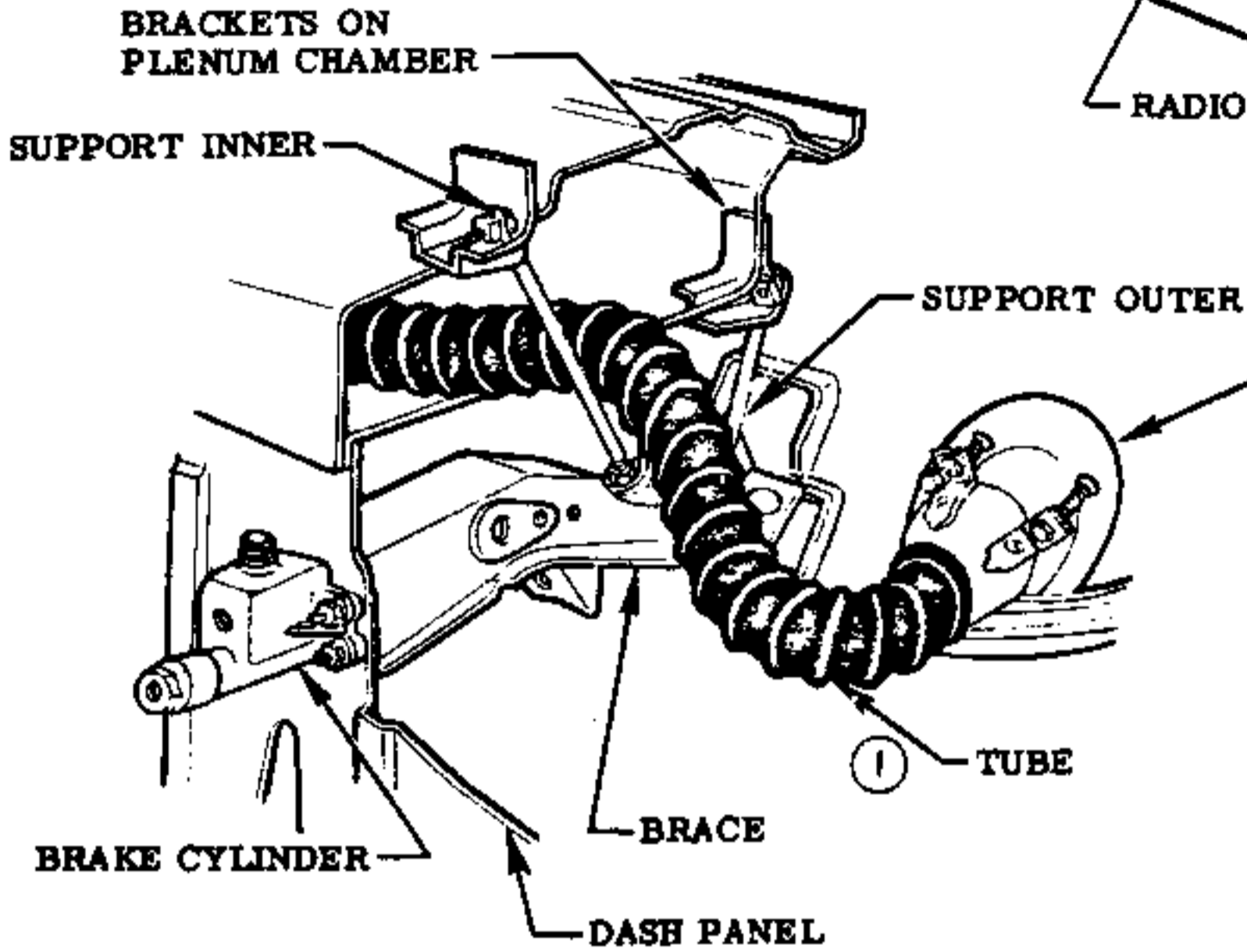
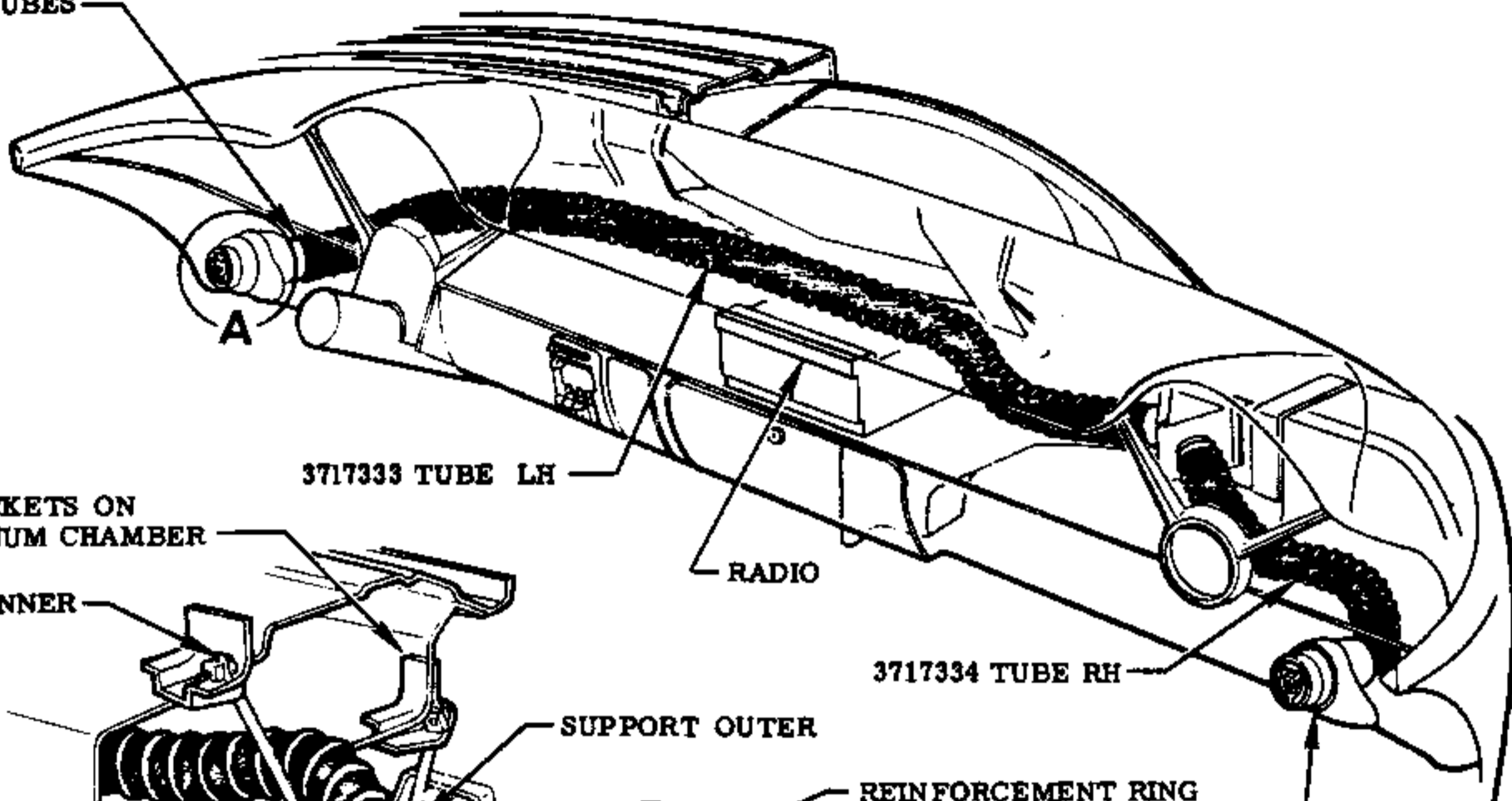


DEFROSTER DUCT INSTRUCTION

MODELS
ALL
EXCEPT CONV.

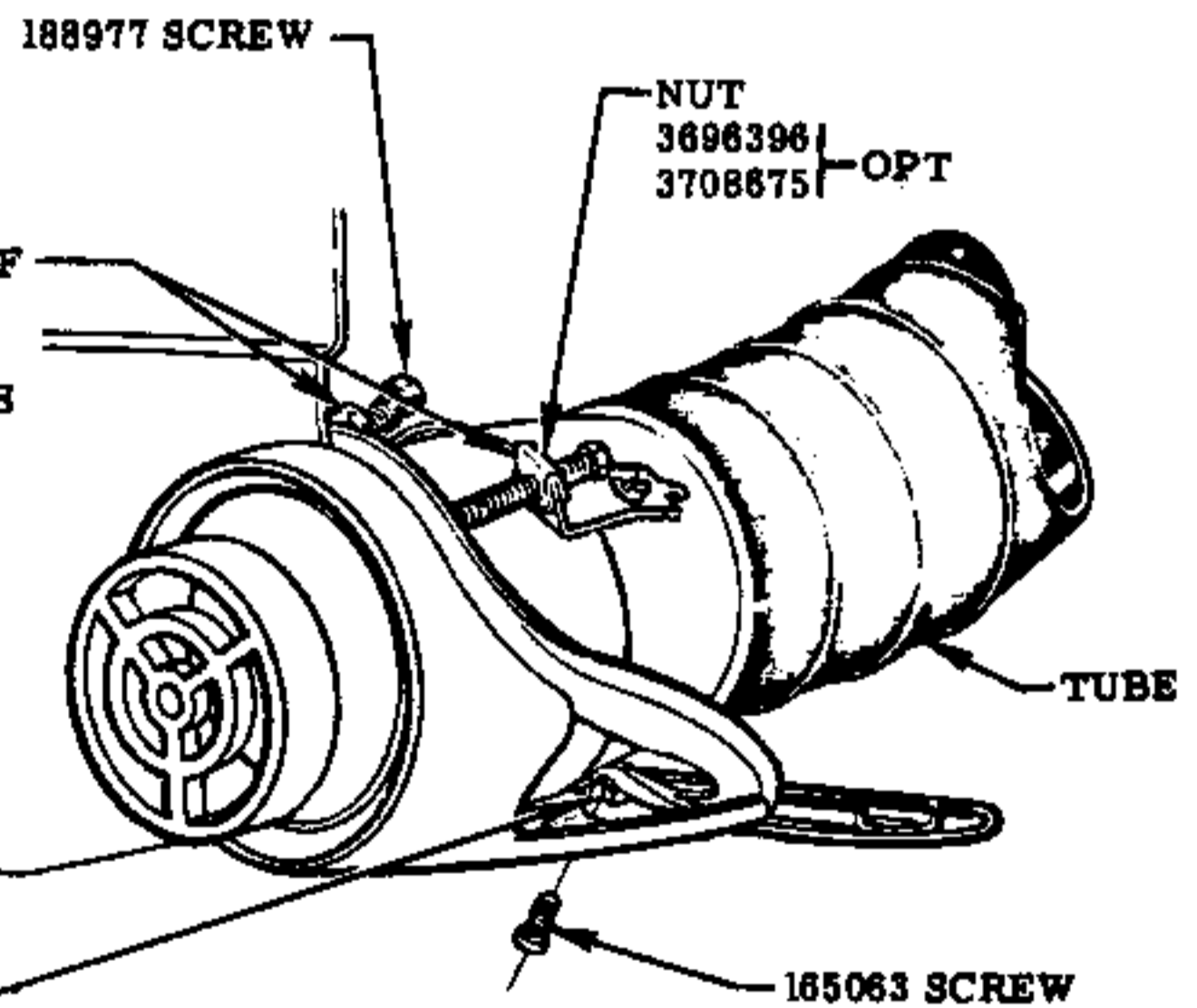
					NAME PASSENGER CAR INSTRUCTION MANUAL					
					REF. 6882	DRAWN		CHECKED F	F.O.A.	SHEET
					6865				110	13.00
					DATE 2-27-58	PART No. 3726600				
DATE	SYM.	REVISION RECORD	AUTH.	DR.	CK.					

② 3695016 CEMENT
1 OZ. USED TO CEMENT
ENDS OF AIR OUTLET
TUBES



VIEW B

POSITION MOUNTING BRACKET TO FRONT OF CAR BEFORE INSTALLING OUTLET ASSY. IN HOLE IN INSTRUMENT PANEL. AFTER INSTALLATION TURN BRACKET 180 DEGREES AND TIGHTEN 188977 SCREWS BEING SURE THAT ENDS OF SCREWS ARE IN THE CAVITIES OF THE REINFORCEMENT RING.



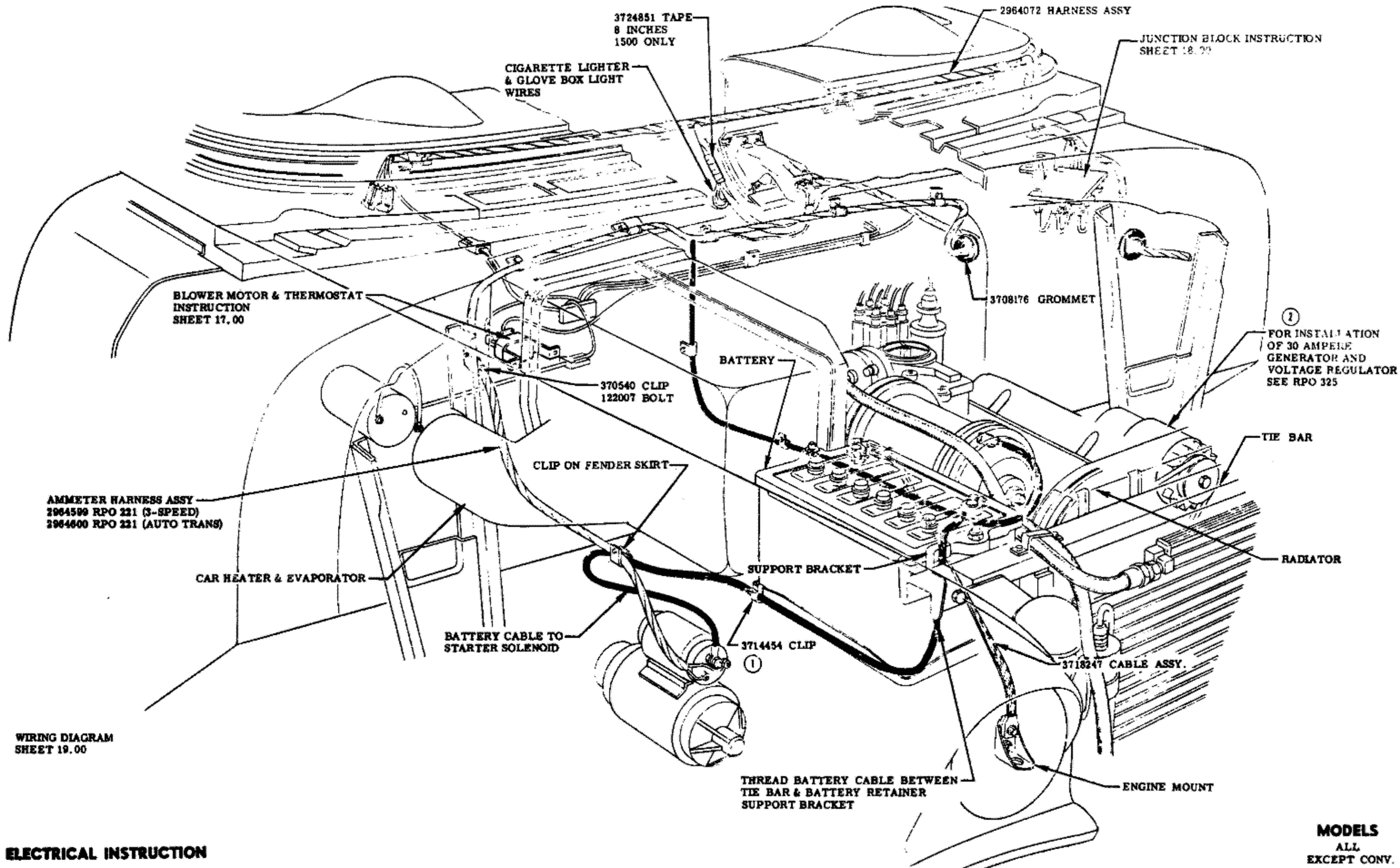
VIEW A

$\frac{.144}{.147}$ DIA. DRILL AT ASSY. USING HOUSING FOR TEMPLATE. FIT OUTLET ASSY TO INSTRUMENT PANEL BEFORE DRILLING HOLE MAKING SURE FIT IS BEST POSSIBLE.

MODELS
ALL
EXCEPT CONV.

AIR OUTLET INSTRUCTION

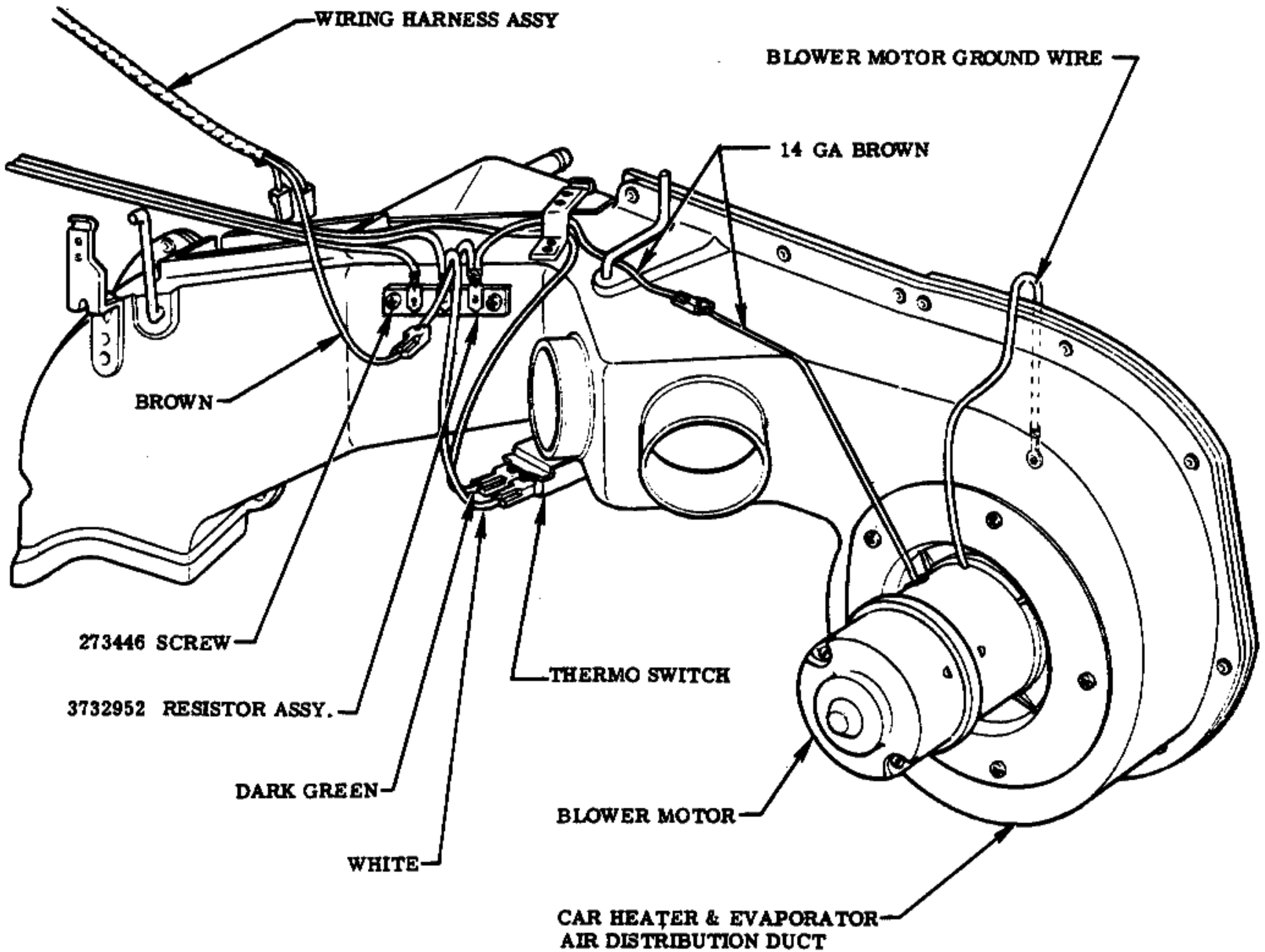
REVISION RECORD					PASSENGER CAR INSTRUCTION MANUAL				
DATE	SYM.	REVISION RECORD	AUTH.	DR.	CK.	NAME	PART No.	F.O.A.	SHEET
3-27-56	2	WAS 369016			F	REF. 8682	DRAWN	CHECKED	
3-8-56	1	WAS IN FRONT OF INNER & REAR OF OUTER SUPPORTS	8394		F	8865		F	
						DATE			
						2-27-56	3726600		
								110	14.00



ELECTRICAL INSTRUCTION

MODELS
ALL
EXCEPT CONV.

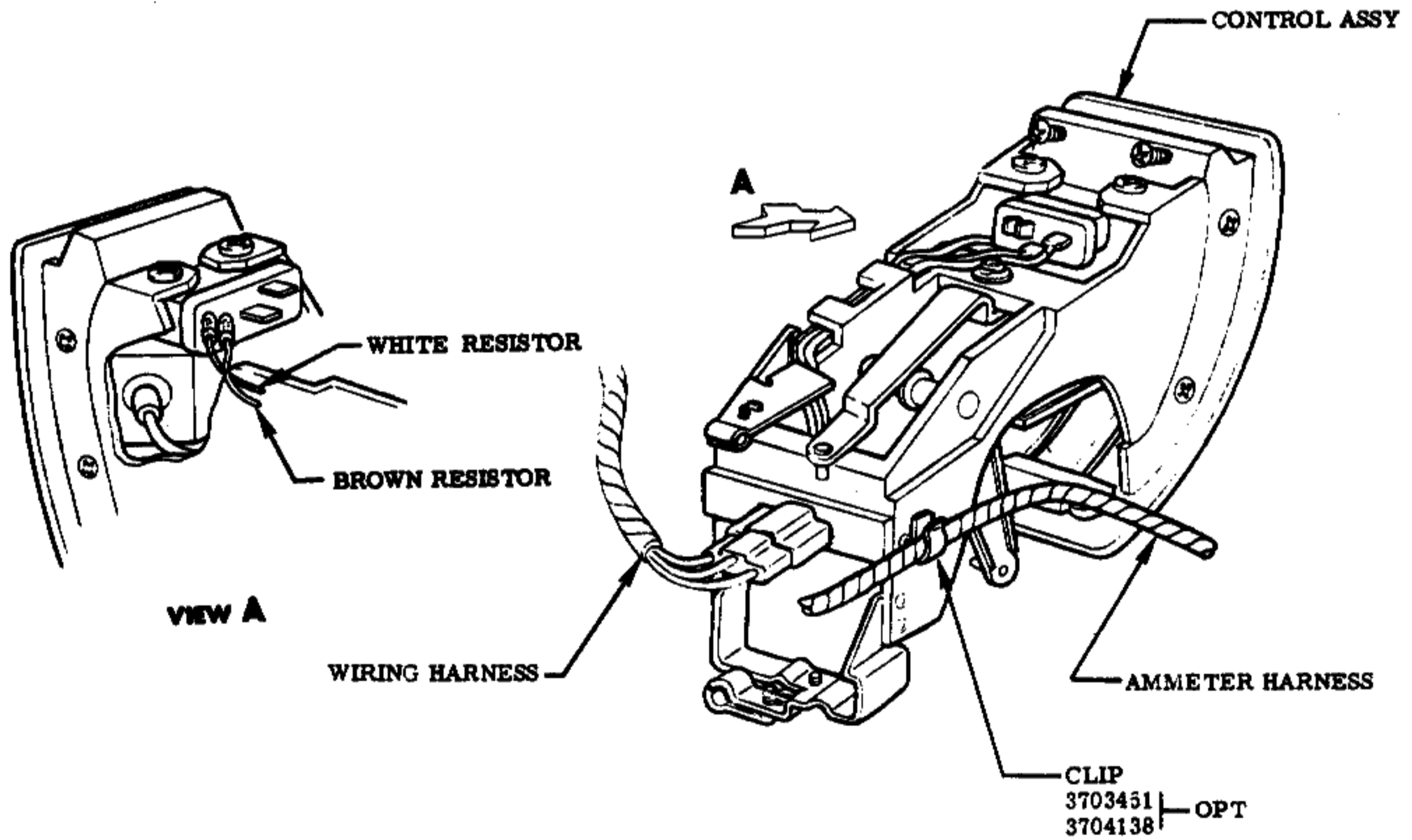
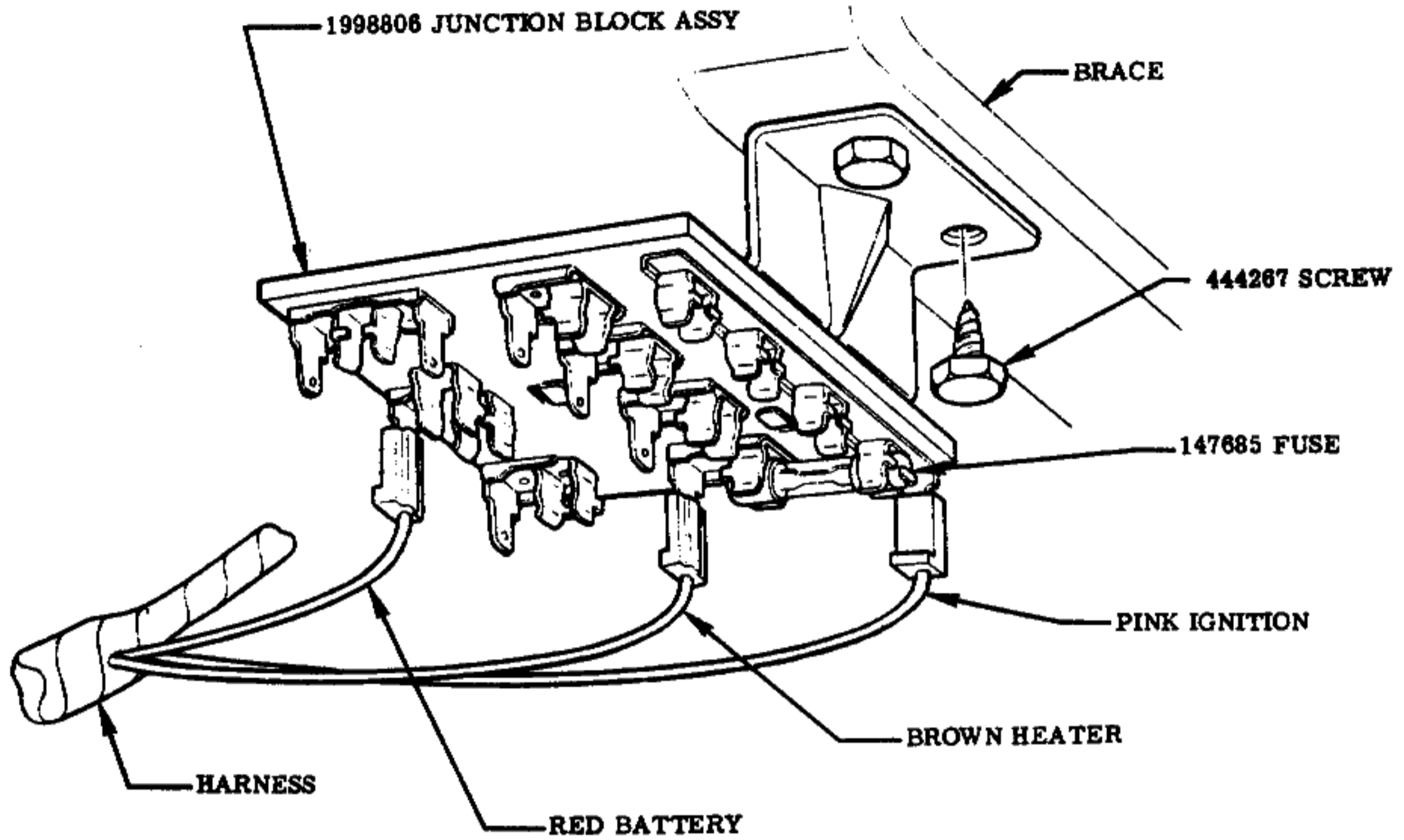
NAME							PASSENGER CAR INSTRUCTION MANUAL			
DATE	SYM.	REVISION RECORD	AUTH.	DR.	CK.	REF.	DRAWN	CHECKED	F.O.A.	SHEET
5-9-56	2	NOTE ADDED	9549	V	F	6682				
3-12-56	1	PART ADDED	8453	V	F	8865		F		
						DATE	PART No.			
						2-27-56	3726600			
									110	16.00



ELECTRICAL INSTRUCTION

MODELS
ALL
EXCEPT CONV.

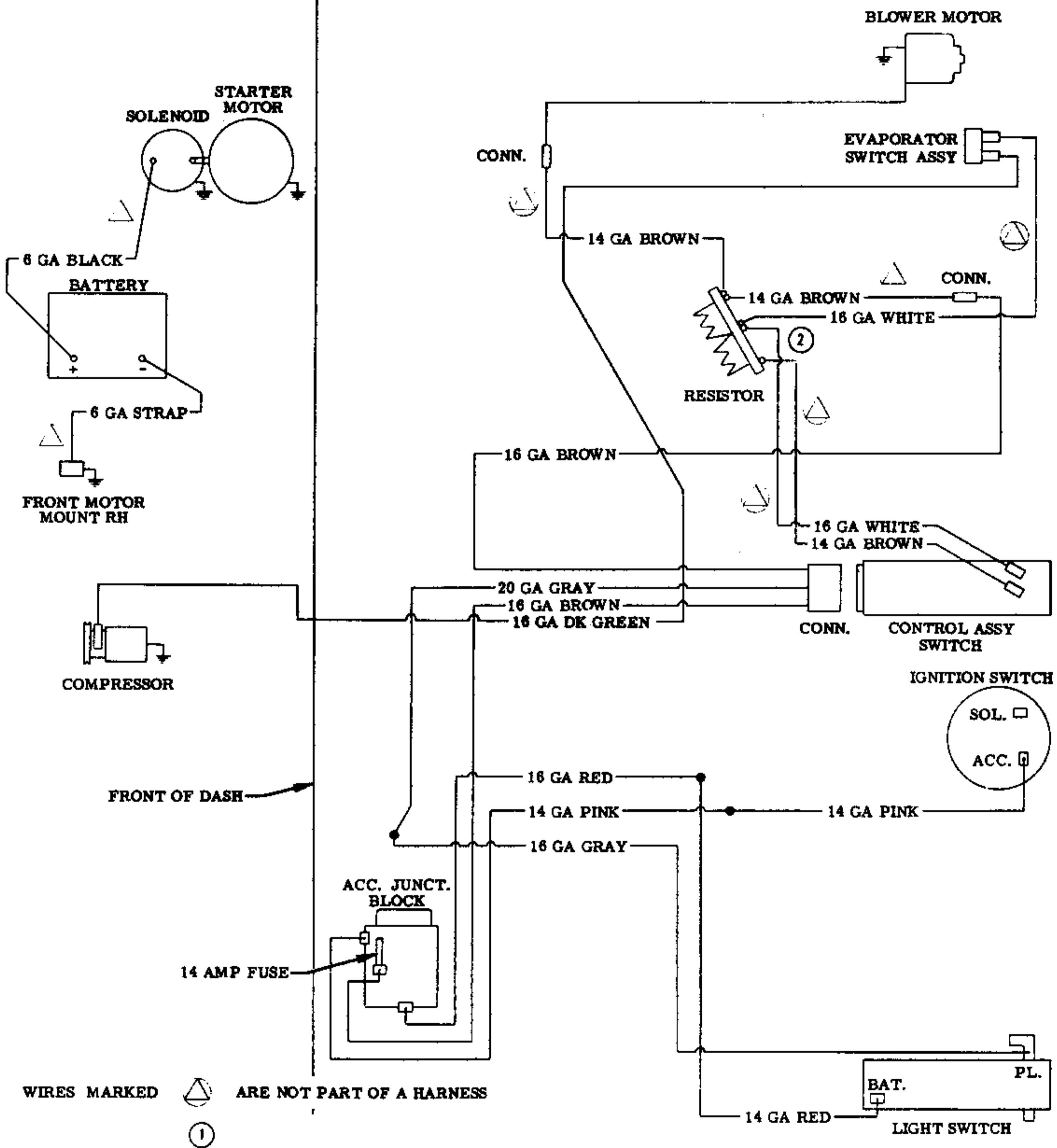
						NAME PASSENGER CAR INSTRUCTION MANUAL				
						REF. 6682	DRAWN	CHECKED	F.O.A.	SHEET
						6865		F		110 17.00
						DATE	PART No.			
						2-27-56	3726600			
DATE	SYM.	REVISION RECORD	AUTH.	DR.	CK.					



MODELS
ALL
EXCEPT CONV.

ELECTRICAL INSTRUCTION

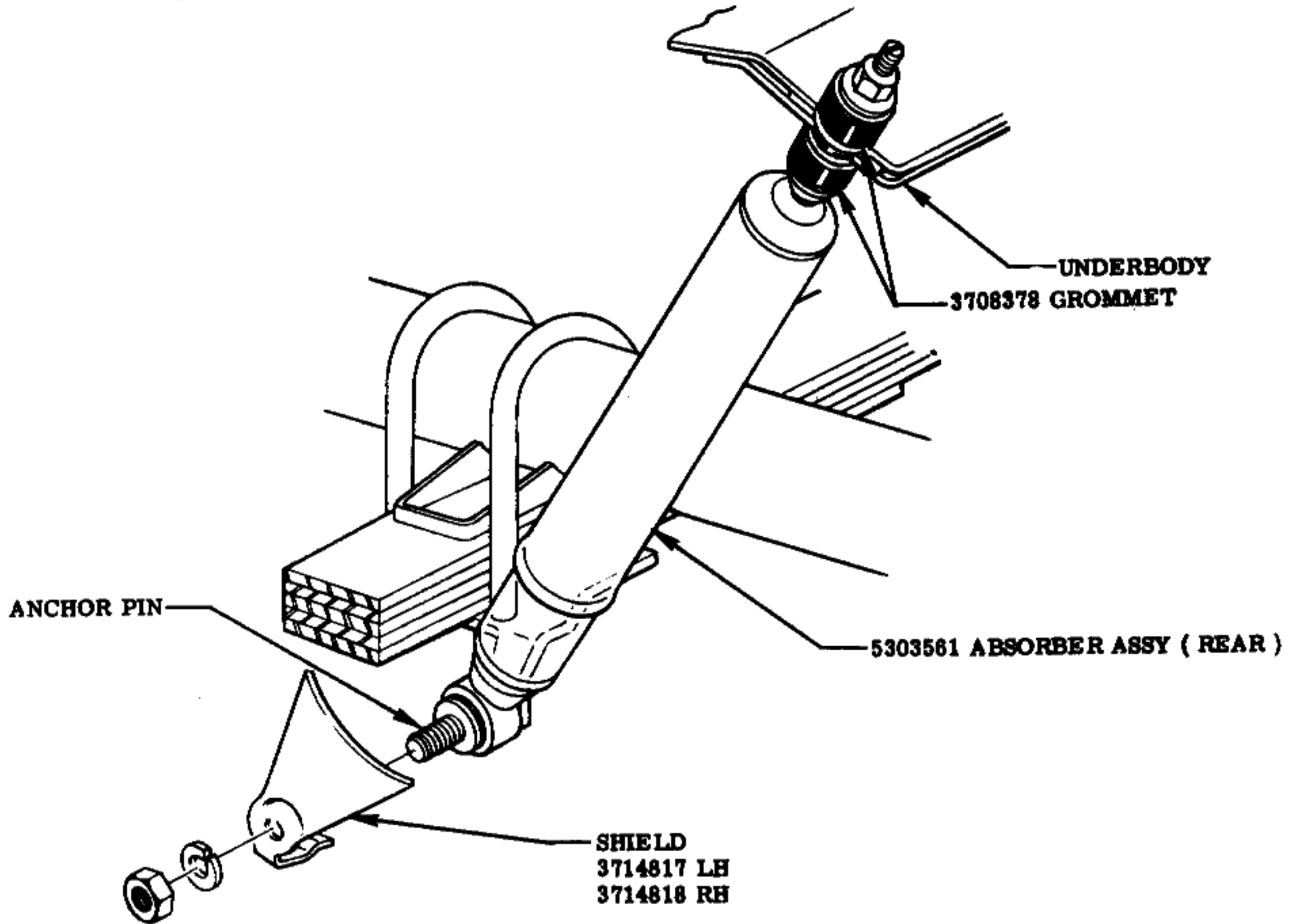
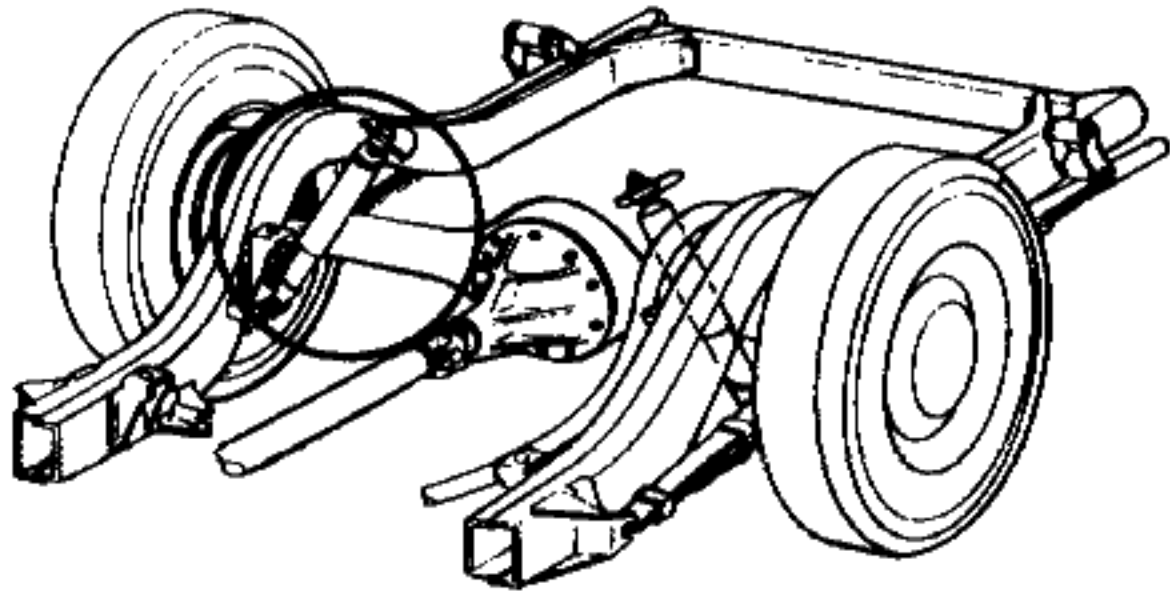
					NAME	PASSENGER CAR INSTRUCTION MANUAL			
					REF. 6682 6865	DRAWN	CHECKED F	F.O.A.	SHEET
					DATE 2-27-56	PART No.	3726600	110	18.00
DATE	SYM.	REVISION RECORD	AUTH.	DR.	CK.				



**WIRING DIAGRAM
ELECTRICAL INSTRUCTION**

MODELS
ALL
EXCEPT CONV.

					NAME PASSENGER CAR INSTRUCTION MANUAL				
					REF. 6882	DRAWN	CHECKED	F.O.A.	SHEET
3-27-56	2	VIEW REVISED	5947	F	6885		F		
3-12-58	1	NOTE REMOVED	3812	F	DATE	PART No.		110	19.00
DATE	SYM.	REVISION RECORD	AUTH.	DR.	CK.	2-27-56	3726600		

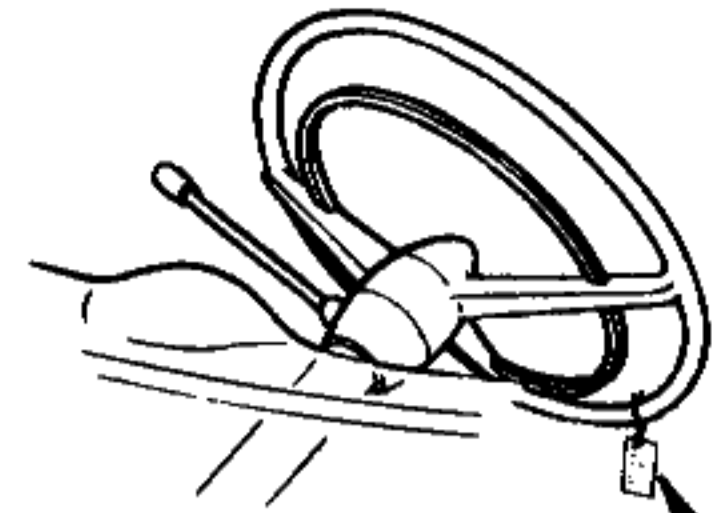


MODELS
ALL

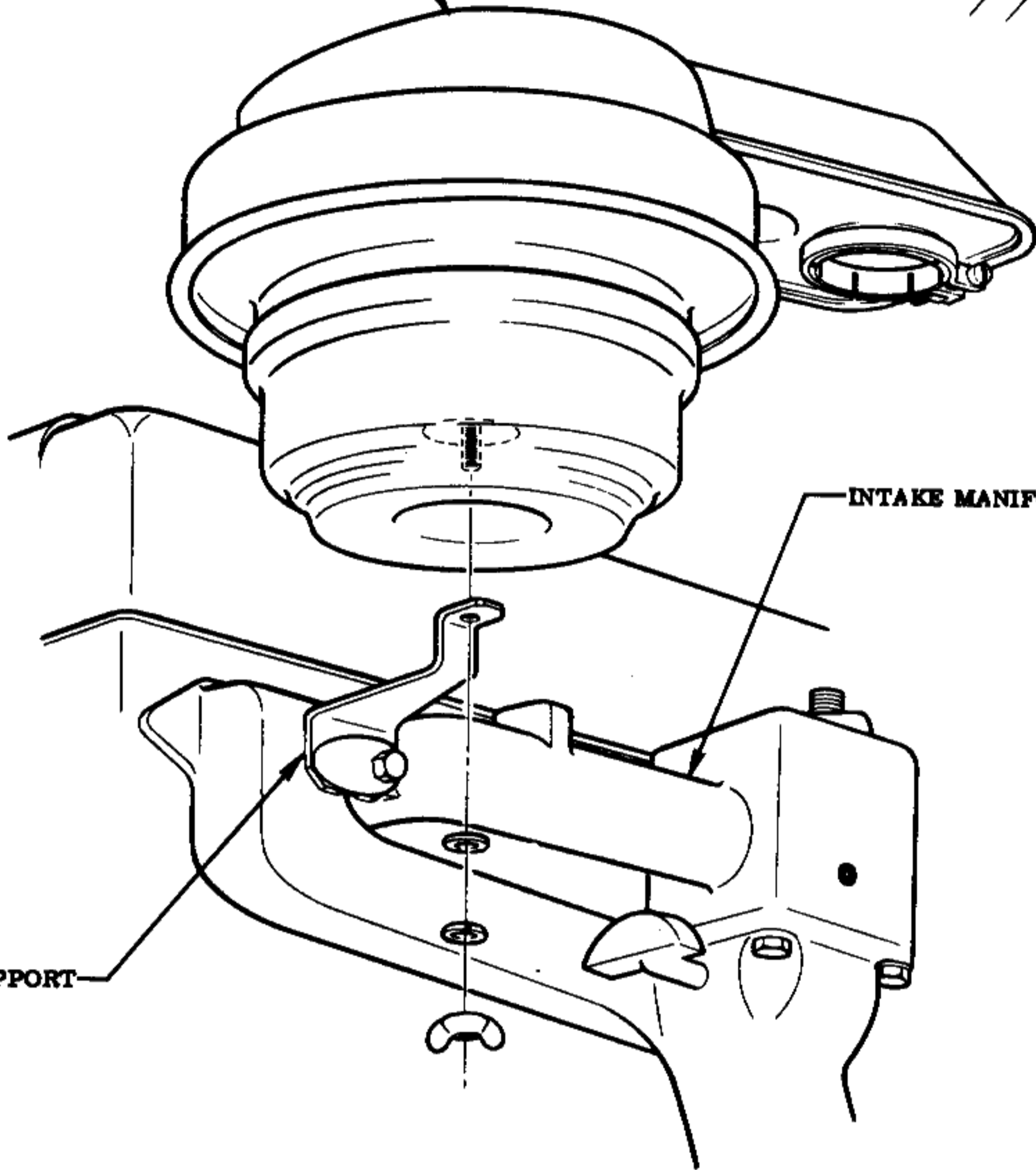
SHOCK ABSORBER INSTRUCTION

						NAME PASSENGER CAR INSTRUCTION MANUAL				
						REF.	DRAWN	CHECKED F	R.P.O.	SHEET
						DATE 7-25-55	PART No. 3726600		200	1.00
DATE	SYM.	REVISION RECORD	AUTH.	DR.	CK.					

1552041 AIR CLEANER



3694280 TAG
(ATTACHED ON JOBS
NOT DRIVEN AWAY)



INTAKE MANIFOLD

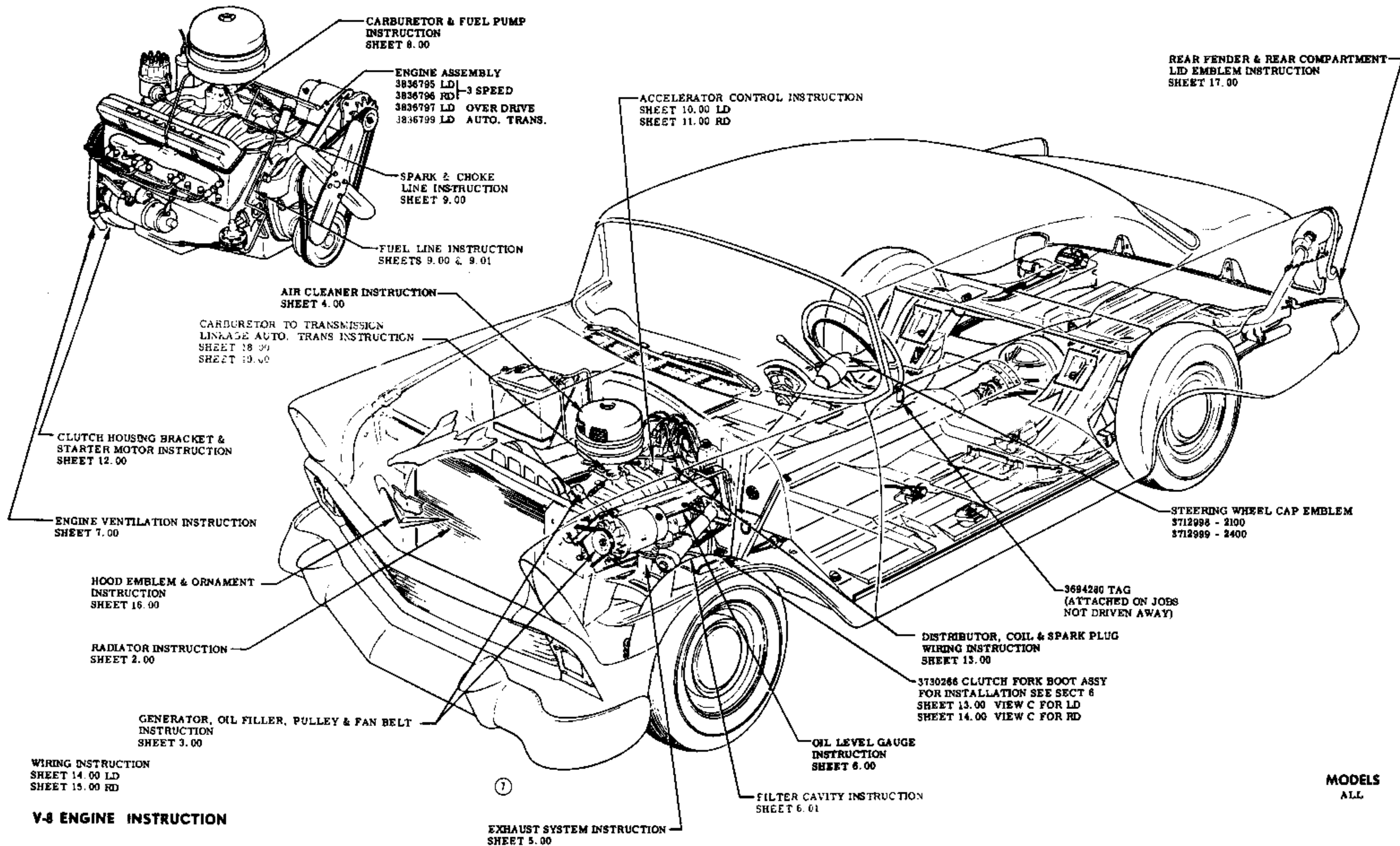
3713522 SUPPORT

SEE LUBRICATION INSTRUCTION

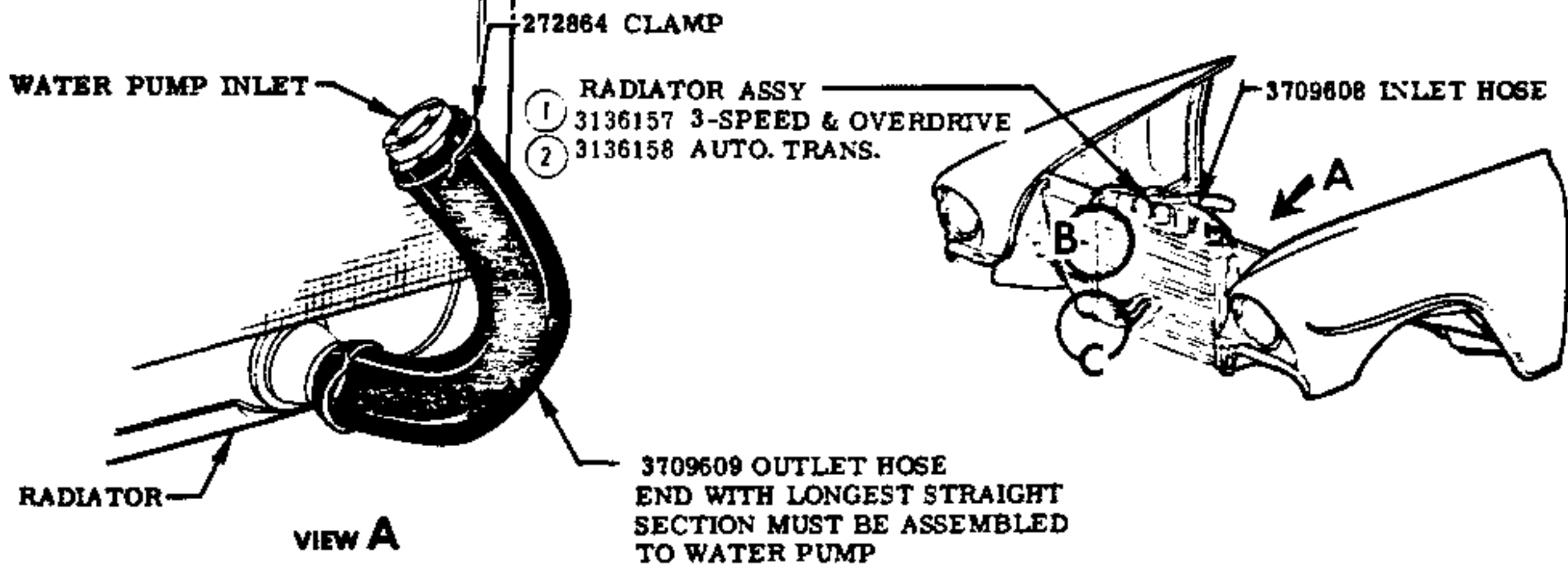
MODELS
ALL

AIR CLEANER INSTRUCTION

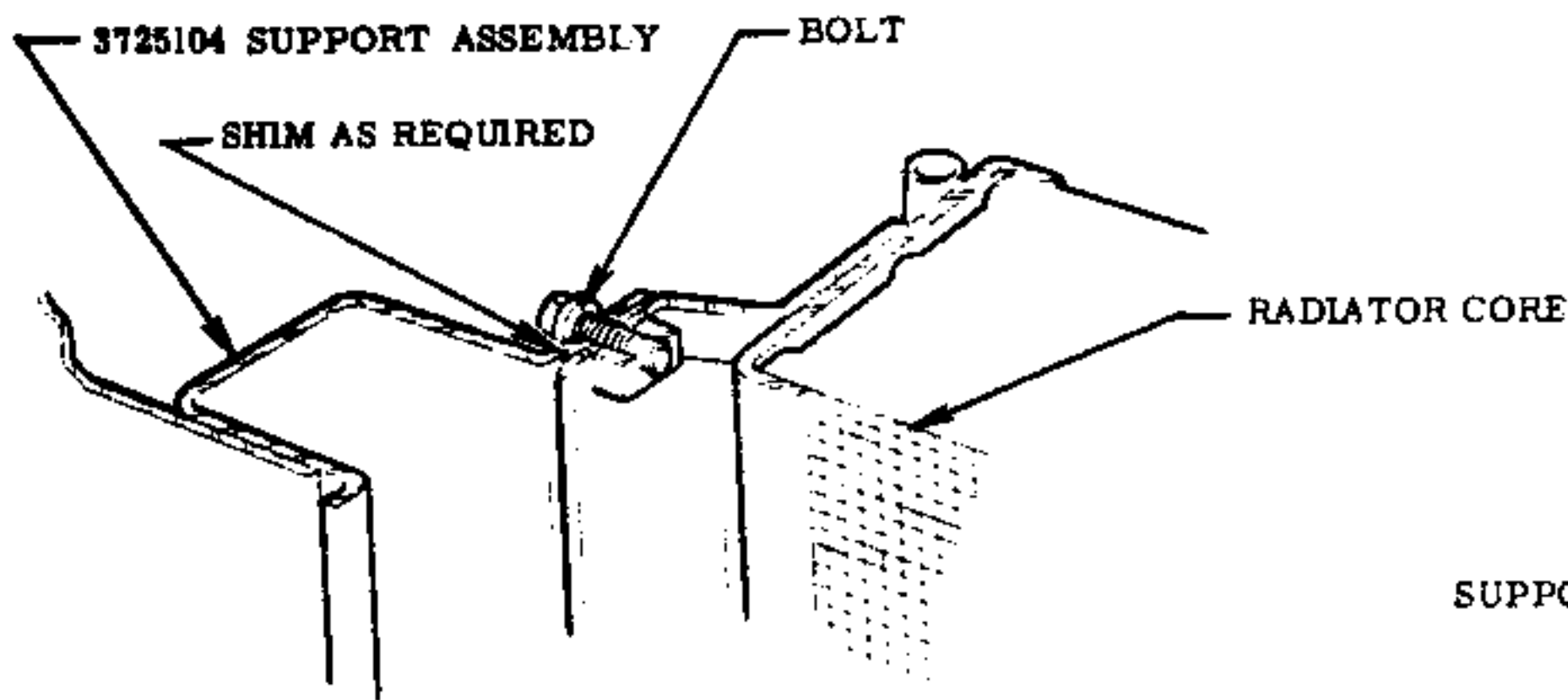
						NAME	PASSENGER CAR INSTRUCTION MANUAL				
						REF.	DRAWN	CHECKED	F	R.P.O.	SHEET
						DATE	PART No.			216	1.00
DATE	SYM.	REVISION RECORD	AUTH.	DR.	CK.	7-25-55	3726600				



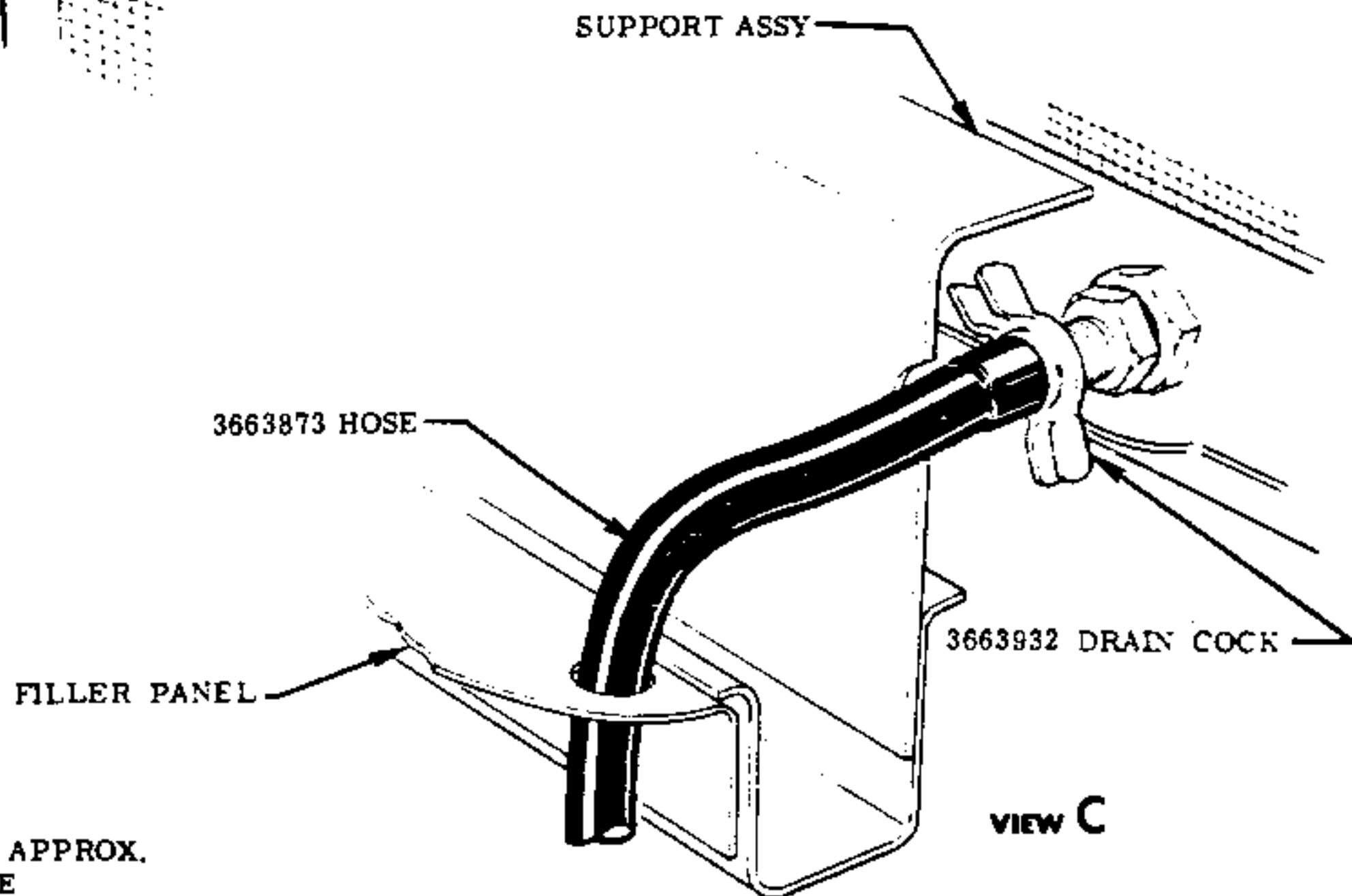
NAME PASSENGER CAR INSTRUCTION MANUAL										
REF.	DRAWN	CHECKED	R. P. O.	SHEET						
		F		221						
7					3723902 REMOVED					
2-2-58	8		5495		REDRAWN					
DATE	SYM.	REVISION RECORD			AUTH.	DR.	CK.	DATE	PART No.	
								7-25-55	3726600	1.00



VIEW A



VIEW B



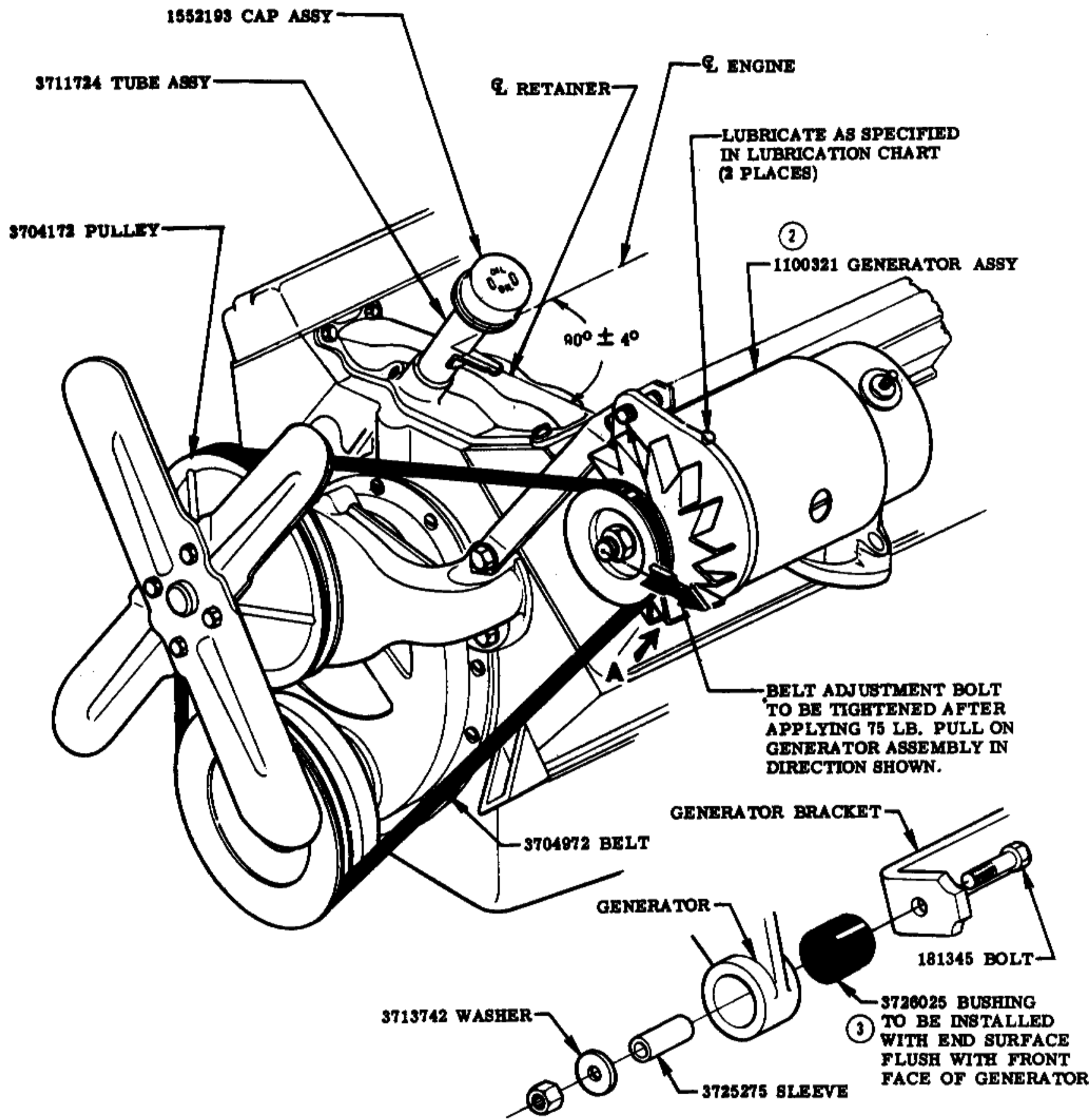
VIEW C

CLAMPS TO BE ASSEMBLED APPROX. 1/4 INCH FROM END OF HOSE

RADIATOR INSTRUCTION

MODELS
ALL

						NAME PASSENGER CAR INSTRUCTION MANUAL				
						REF.	DRAWN	CHECKED	R.P.O.	SHEET
9-28-55	2	WAS 3133045			F	DATE	PART No	221		2.00
DATE	SYM.	REVISION RECORD	AUTH.	DR	CK.	7-25-55	3726600			
	1	WAS 3133044	3753							

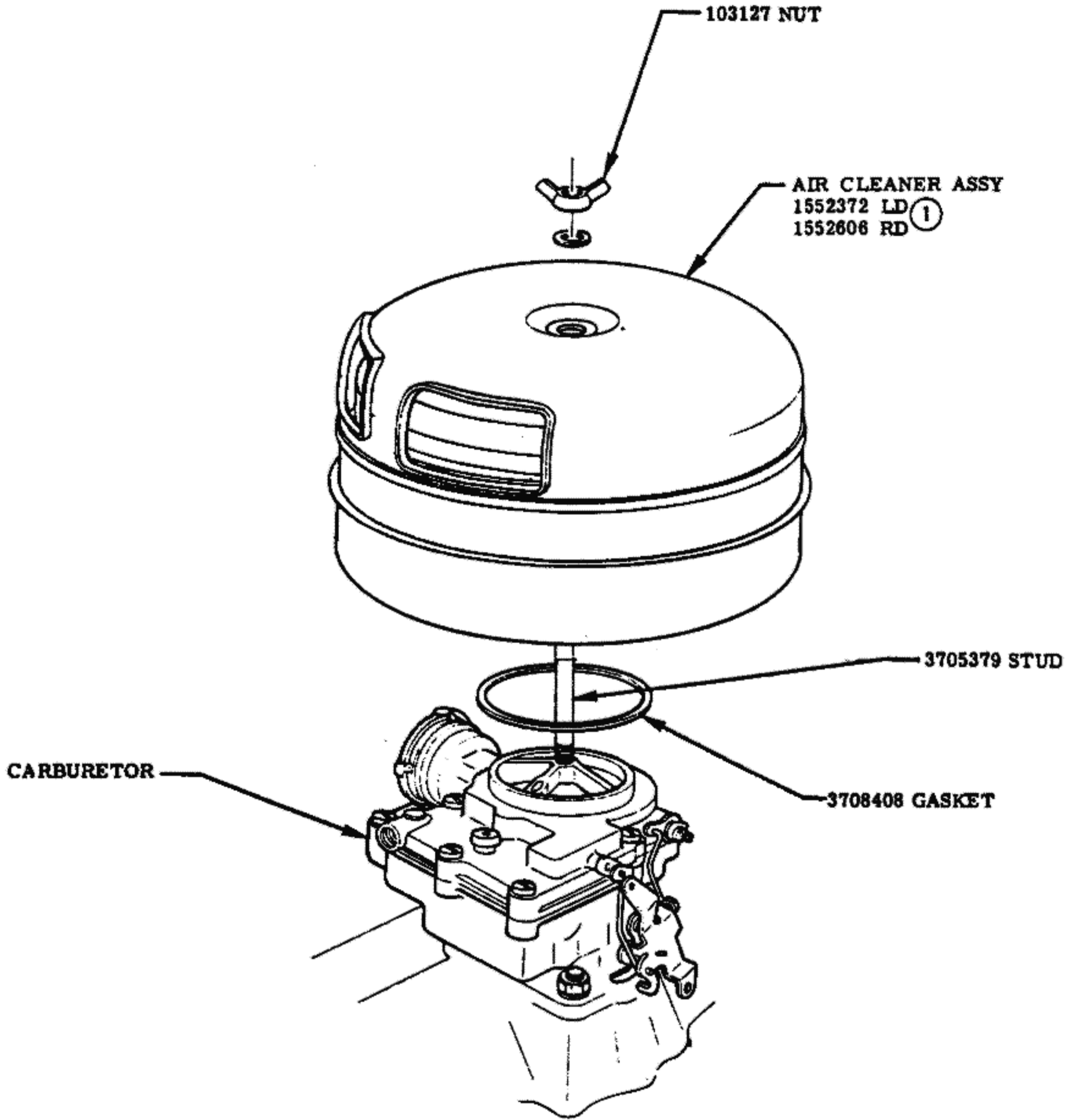


SEE LUBRICATION INSTRUCTION
**GENERATOR, OIL FILLER, PULLEY &
 FAN BELT INSTRUCTION**

① VIEW A

**MODELS
 ALL**

					NAME PASSENGER CAR INSTRUCTION MANUAL					
DATE	SYM.	REVISION RECORD	AUTH.	DR.	CK.	REF.	DRAWN	CHECKED	R.P.O.	SHEET
1-30-56	3	NOTE ADDED	6963		F					
	2	NO ADDED	2431		F			F		
10-10-55	1	VIEW ADDED				DATE	PART No.		221	3.00
						7-25-55	3726600			

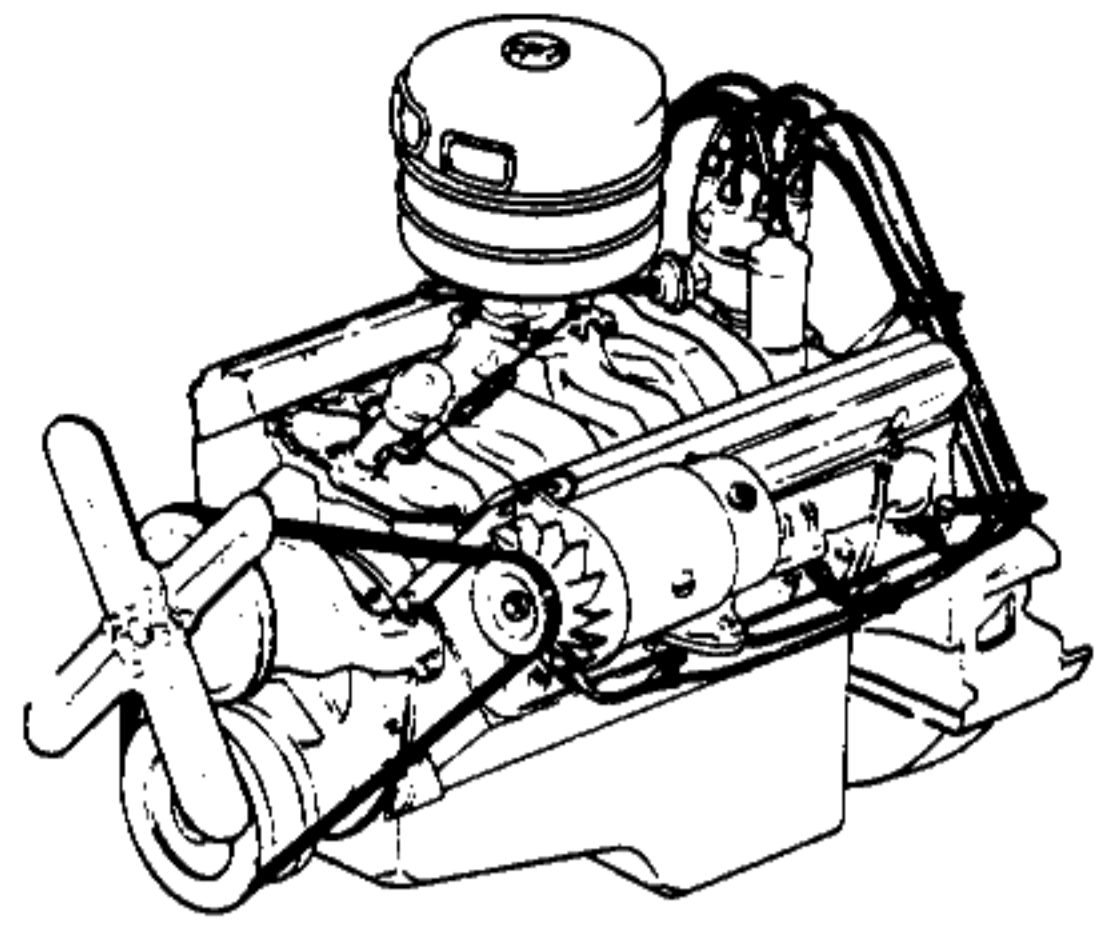


SEE LUBRICATION INSTRUCTION

MODELS

AIR CLEANER INSTRUCTION

						NAME	PASSENGER CAR INSTRUCTION MANUAL			
						REF.	DRAWN	CHECKED	R. P. O.	SHEET
								F		
10-10-55	1	LD & 1552608 RD ADDED	2603		F	DATE	PART No.		221	4.00
DATE	SYM.	REVISION RECORD	AUTH.	DR.	CK.	7-25-55	3726600			



② TUBE
3721928 L. D.
3734134 R. D.

3722959 GAUGE ASSY

MANIFOLD

① TO BE ASSEMBLED TIGHT
AGAINST THE MANIFOLD
WITH NO CLEARANCE

MANIFOLD

VIEW A

CLUTCH HOUSING

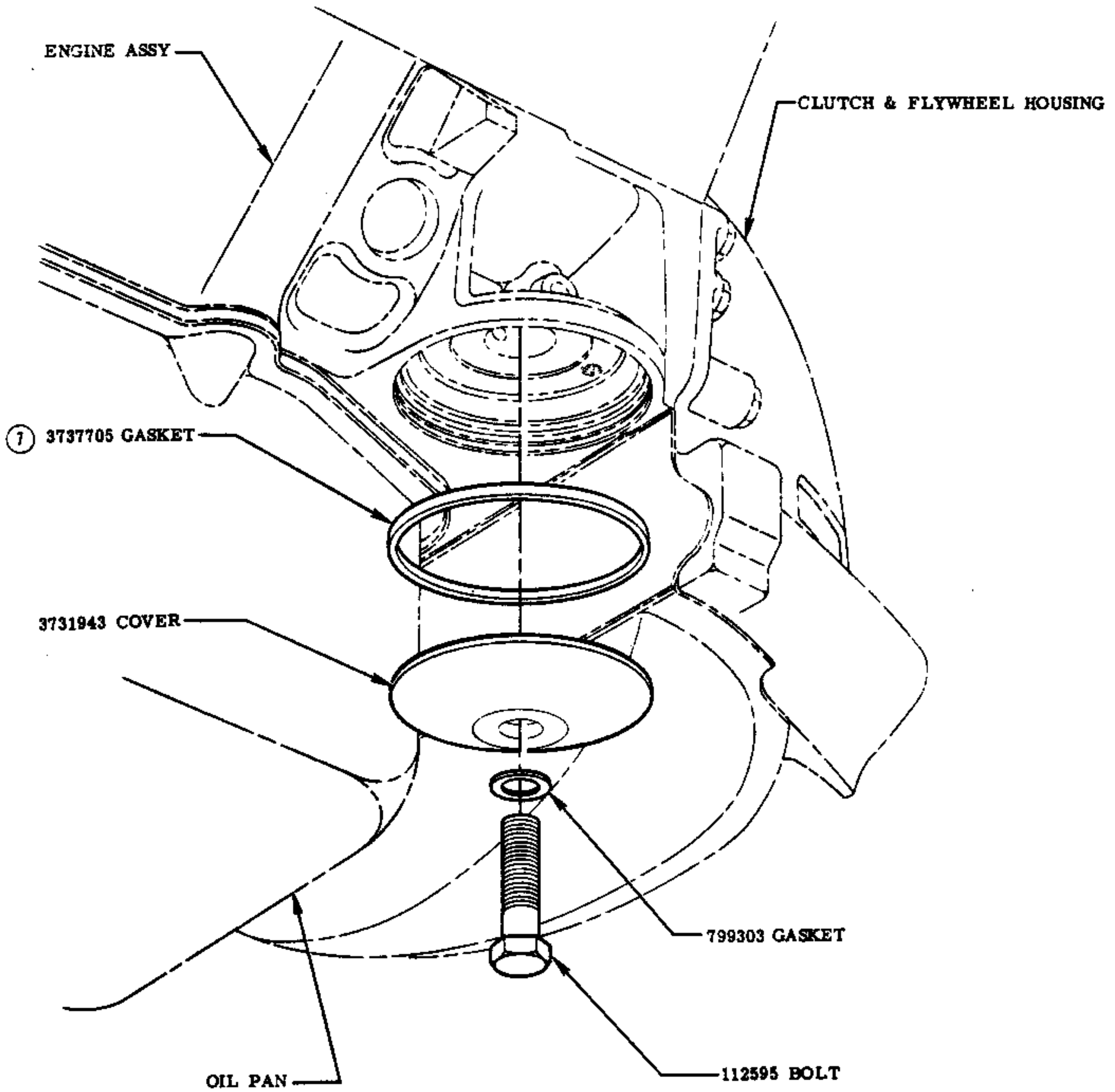
UNDER PAN

EXTENSION CLUTCH HOUSING

MODELS
ALL

OIL LEVEL GAUGE INSTRUCTION

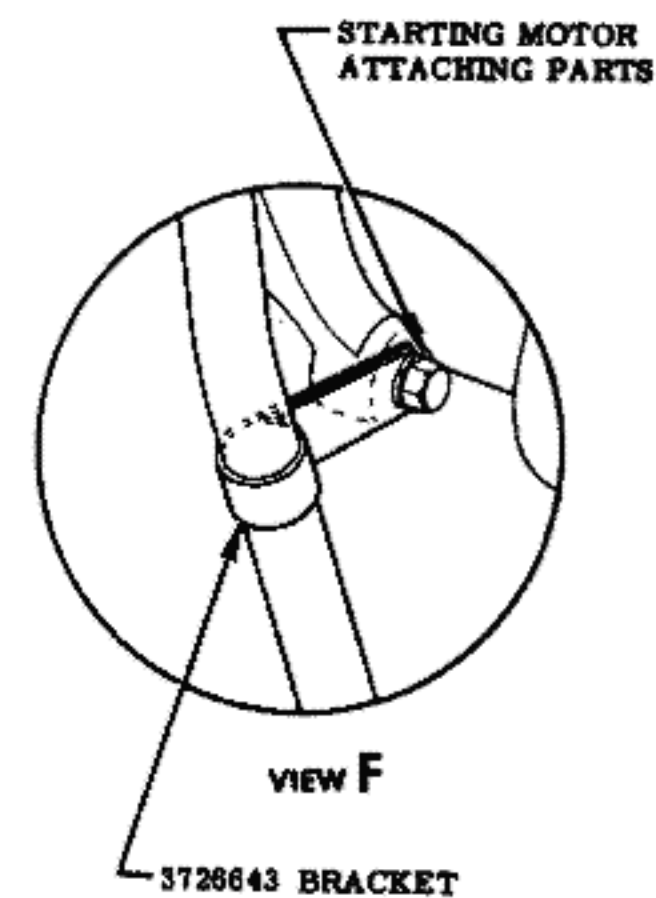
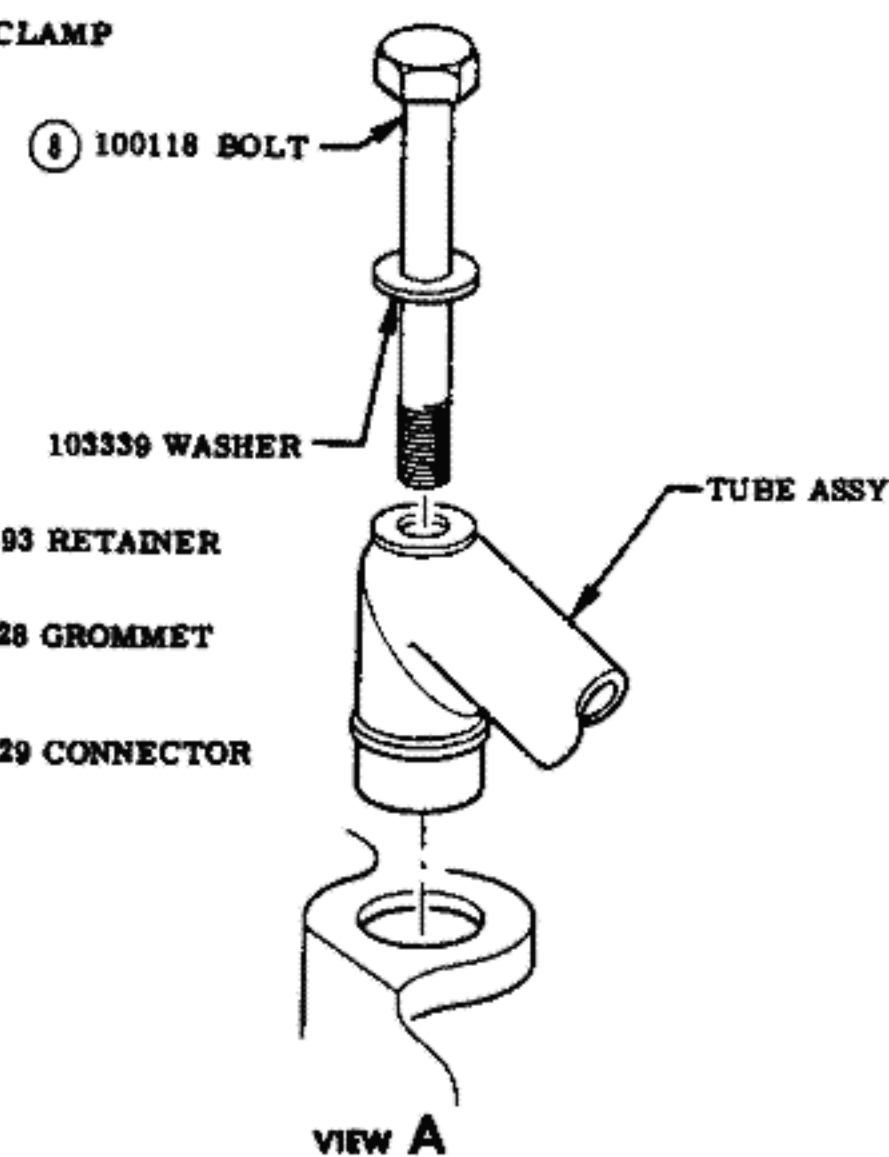
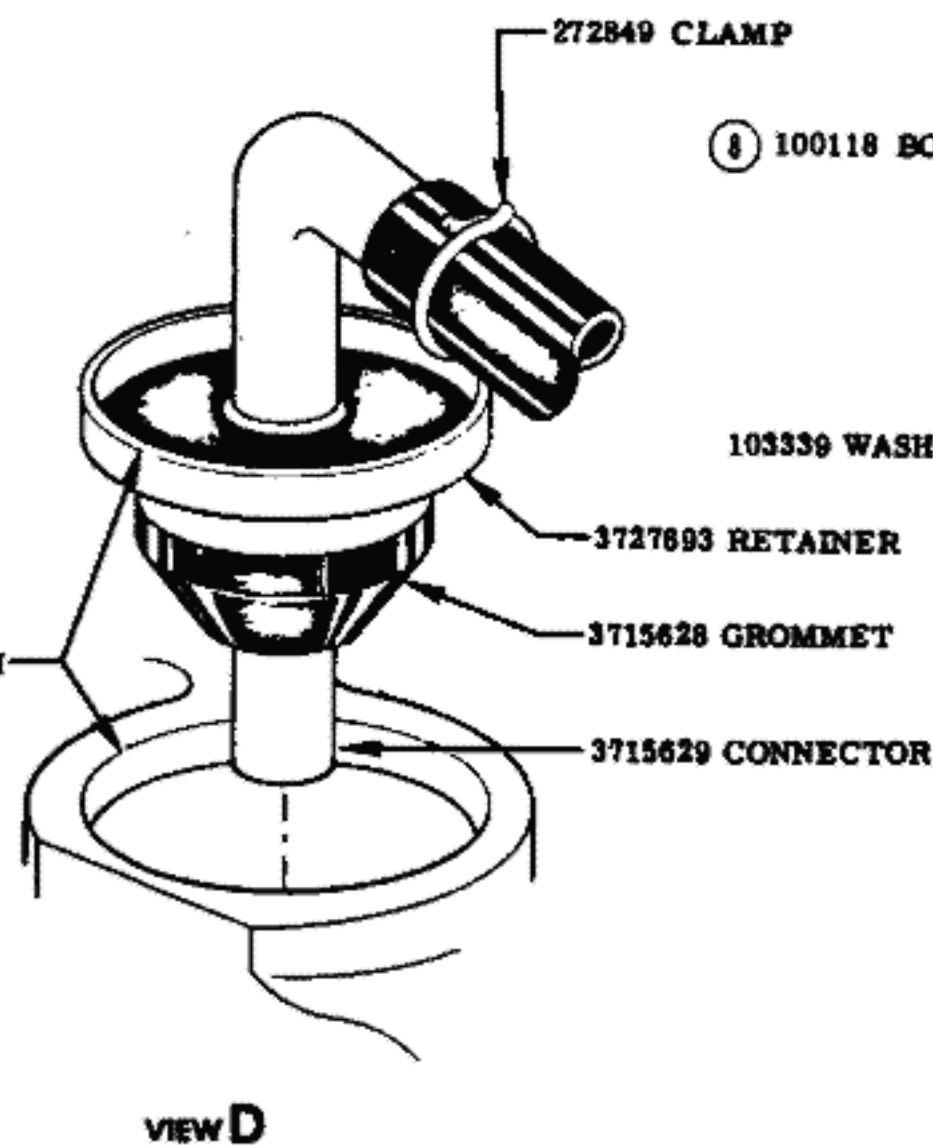
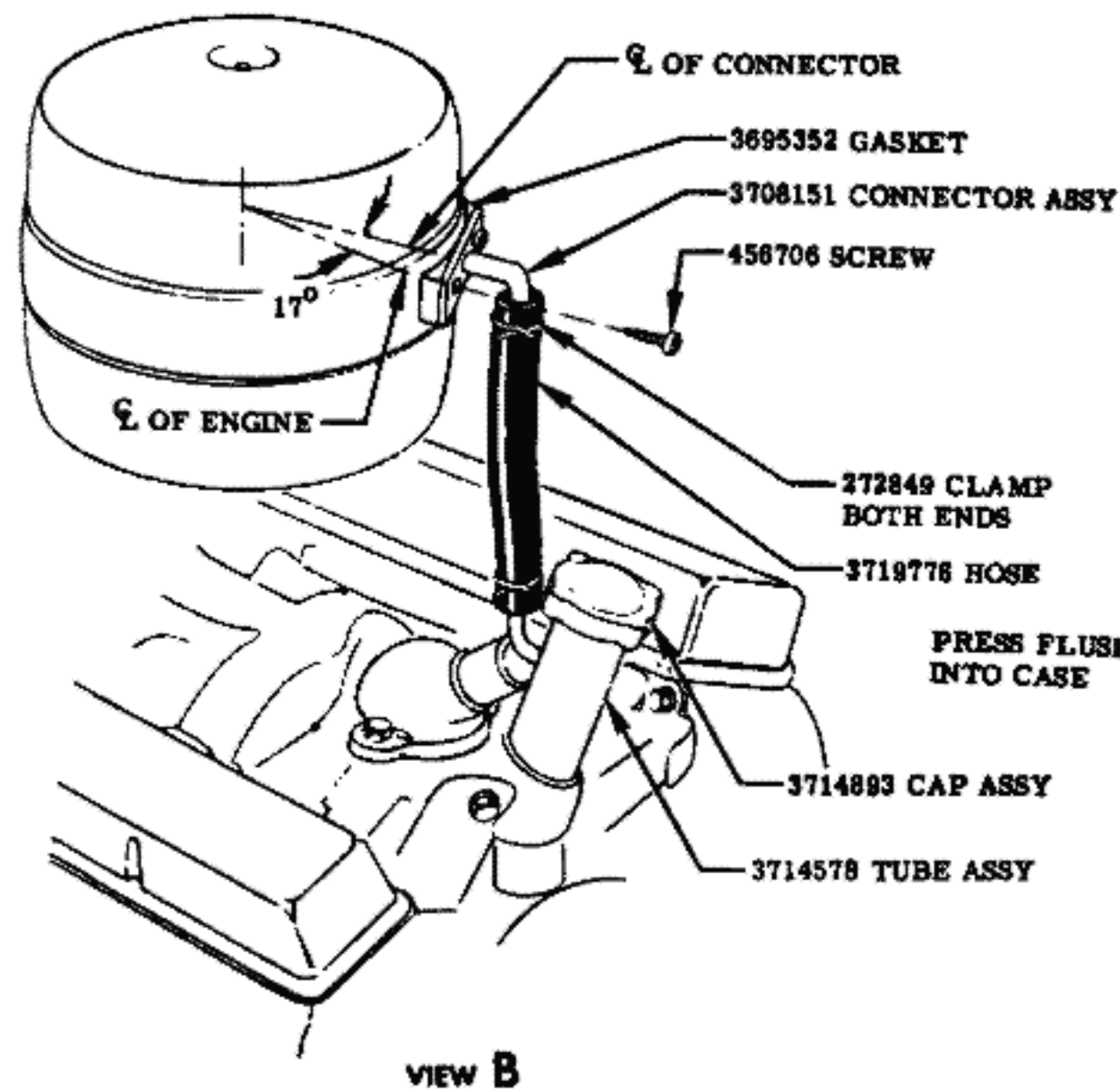
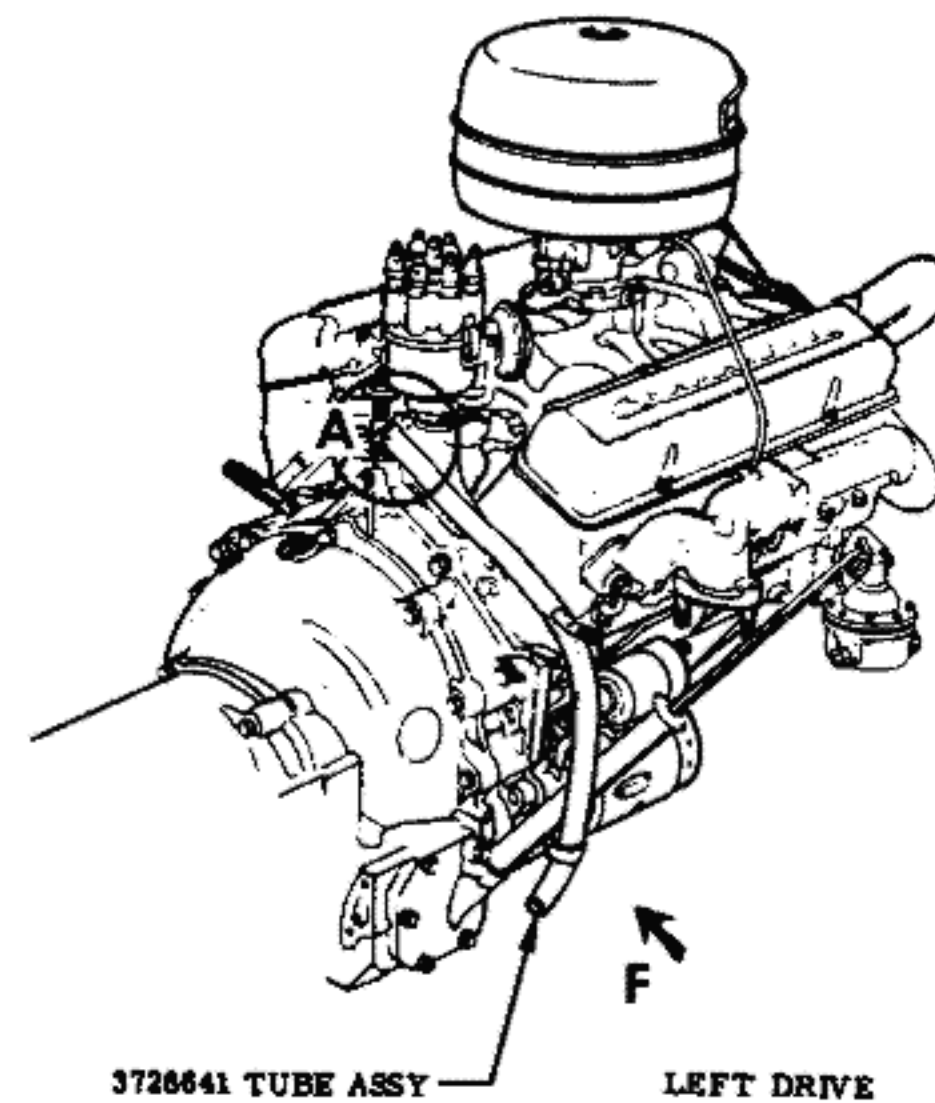
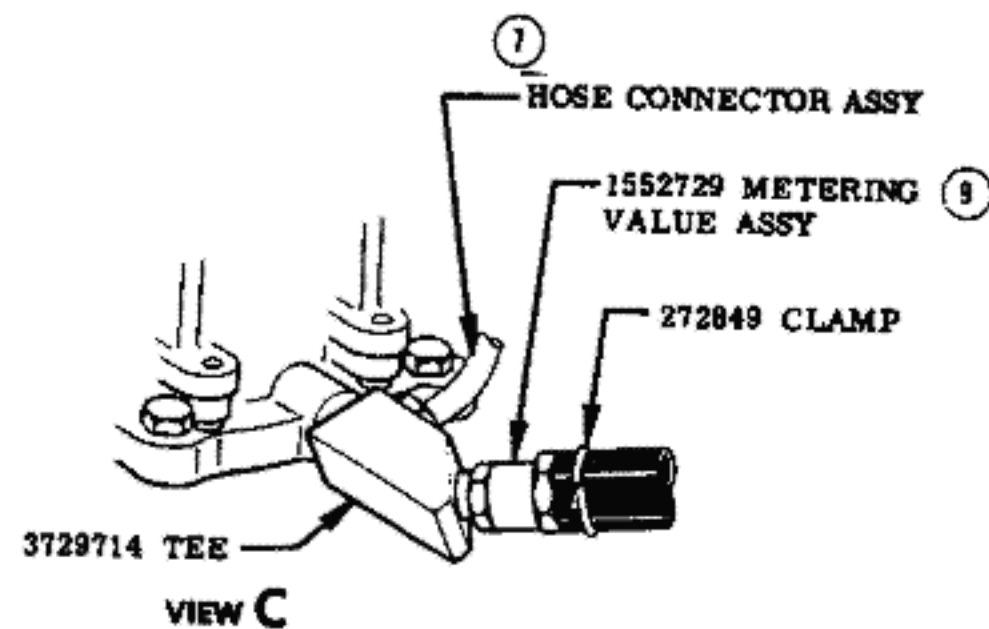
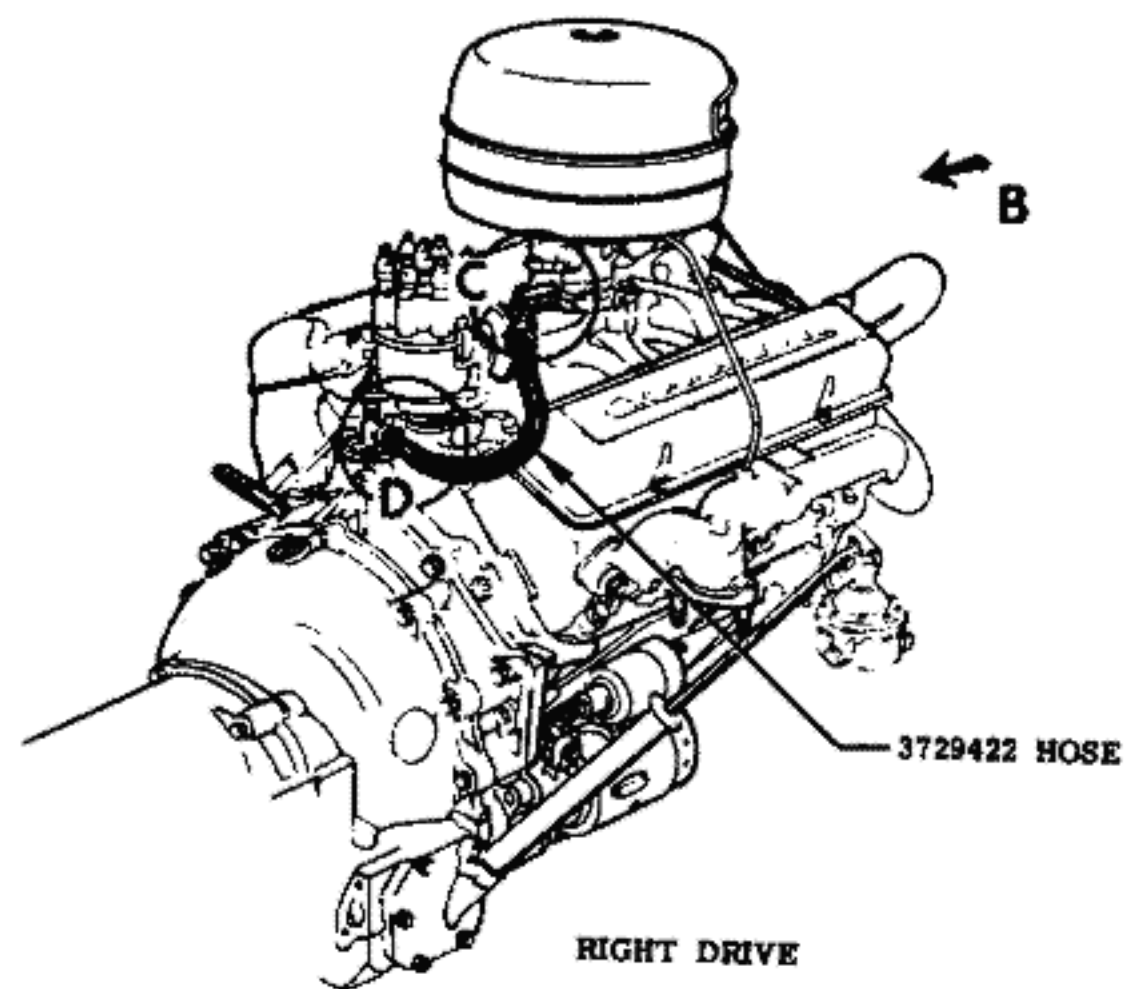
					NAME PASSENGER CAR INSTRUCTION MANUAL				
					REF.	DRAWN	CHECKED	R.P.O.	SHEET
2-22-56	2	WAS 3726742 R. D.	6829	F			F		
11-21-55	1	NOTE ADDED	5585	F	DATE	PART No.		221	6.00
		REVISION RECORD	AUTH.	DR.	7-25-55	3726600			



MODELS
ALL

FILTER CAVITY INSTRUCTION

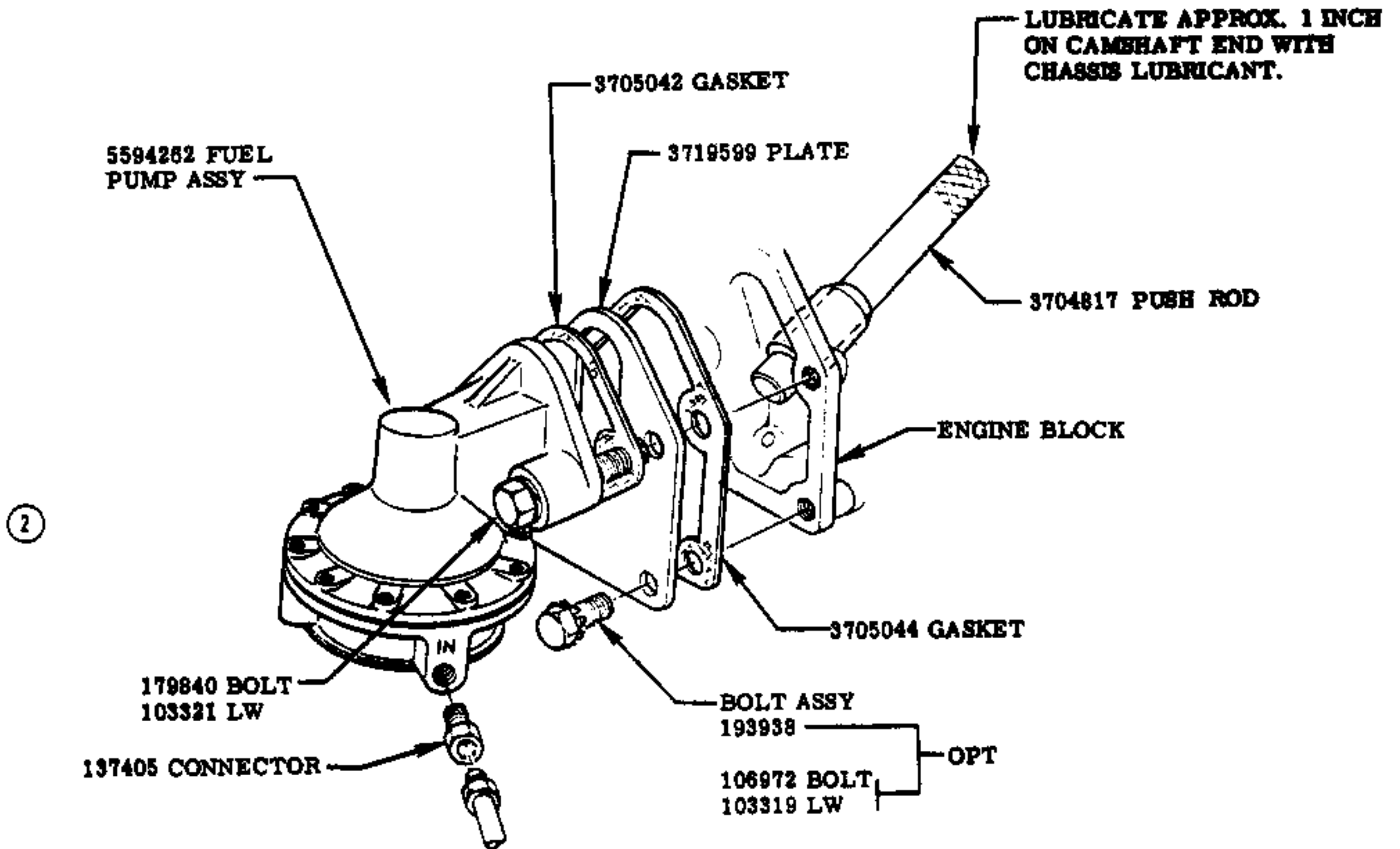
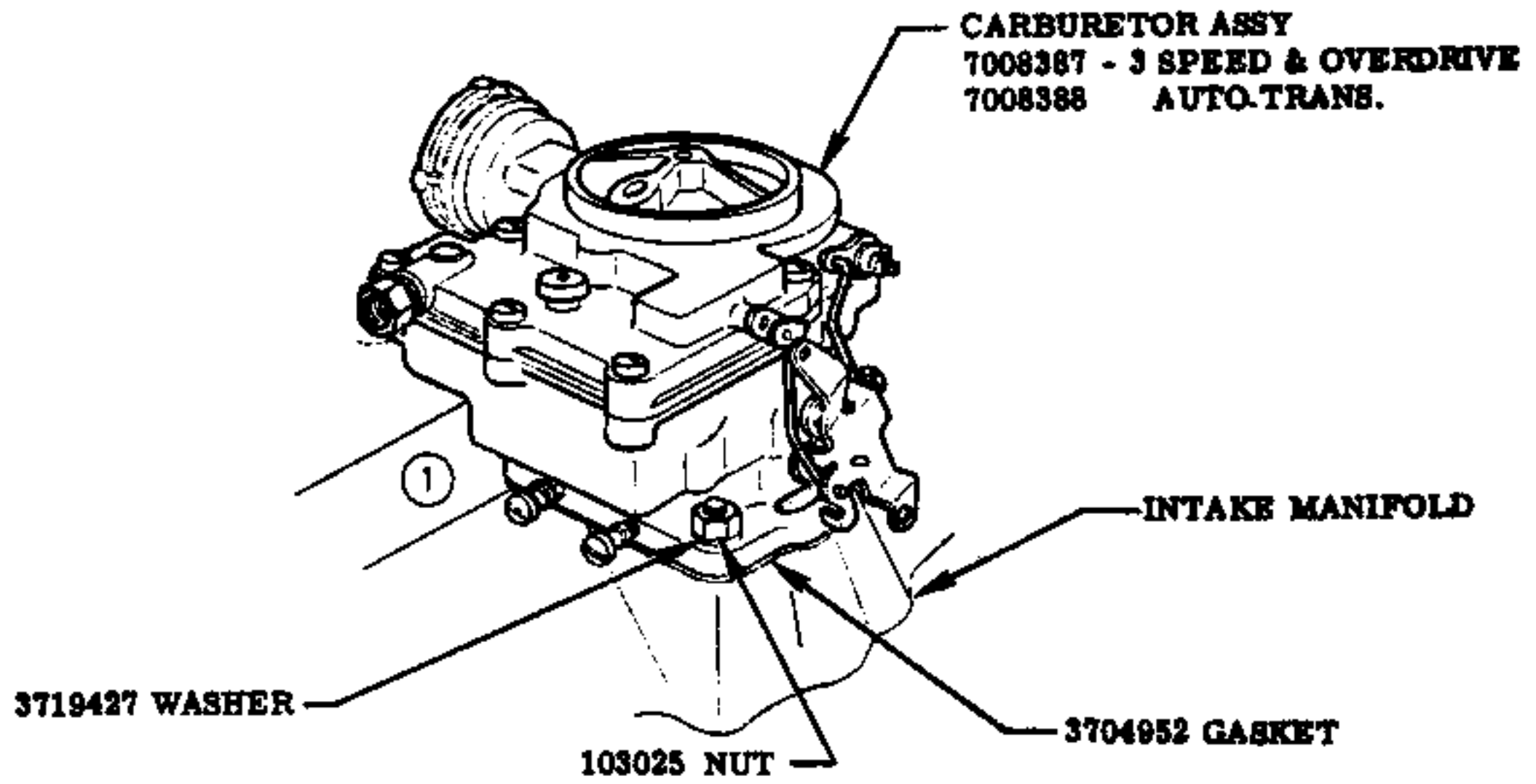
				NAME PASSENGER CAR INSTRUCTION MANUAL				
				REF.	DRAWN	CHECKED	R.P.O.	SHEET
						F	221	6.01
5-1-56	7	WAS 5573827	8580	V	F			
DATE	SYM.	REVISION RECORD	AUTH.	DR.	CK.	DATE	PART No.	
						9-1-55	3726600	



MODELS ALL

ENGINE VENTILATOR INSTRUCTION

DATE	SYM.	REVISION RECORD	AUTH.	DR.	CK.	NAME	DRAWN	CHECKED	R.P.O.	SHEET
2-15-56	B	WAS 1552578	6900		F	PASSENGER CAR INSTRUCTION MANUAL				
	8	WAS 119310	4742		F					
	7	3729399 REMOVED								
11-21-55	6	REDRAWN	5093							
						DATE 7-25-55	PART No. 3726600			
									221	7.00

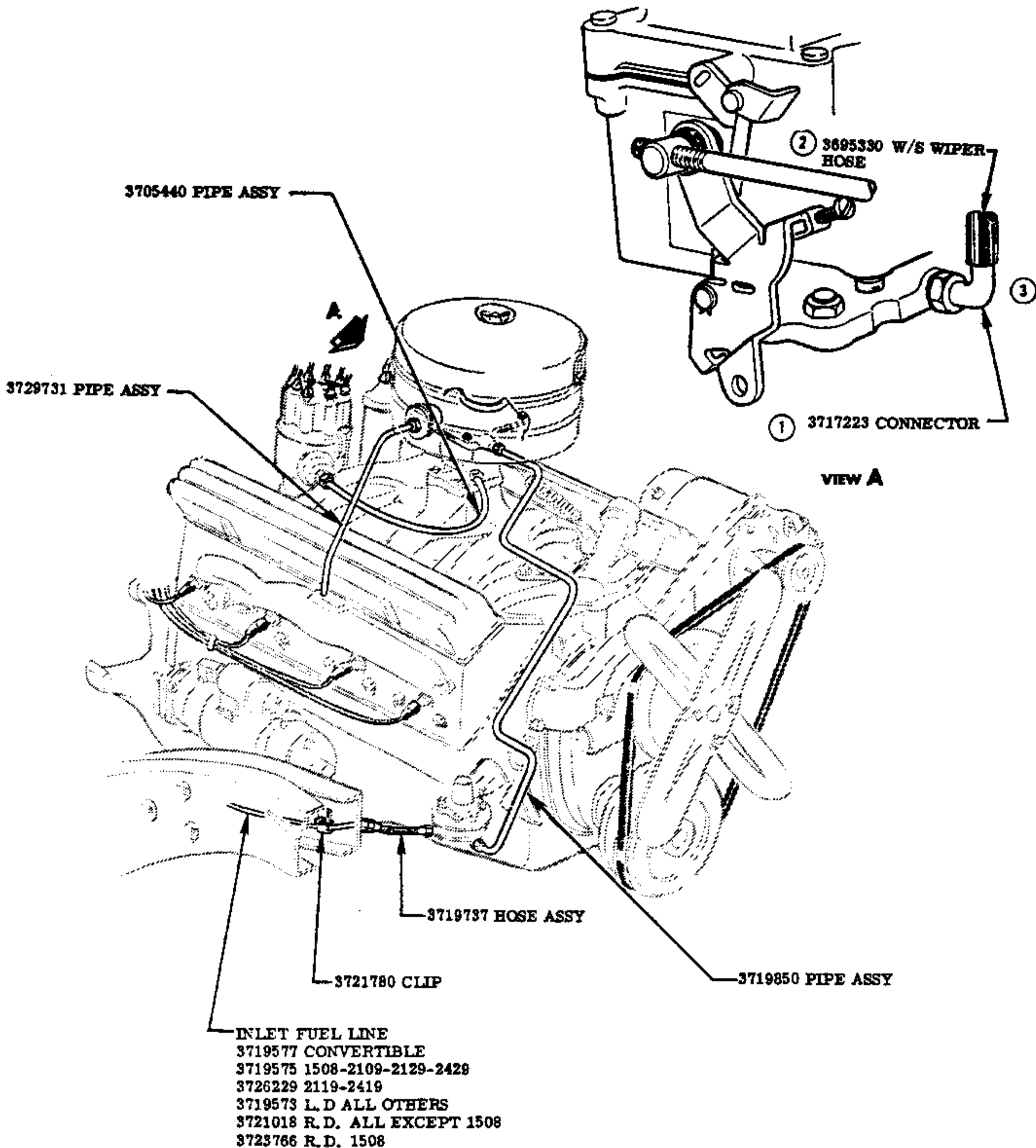


SEE LUBRICATION INSTRUCTION

MODELS
ALL

CARBURETOR & FUEL PUMP INSTRUCTION

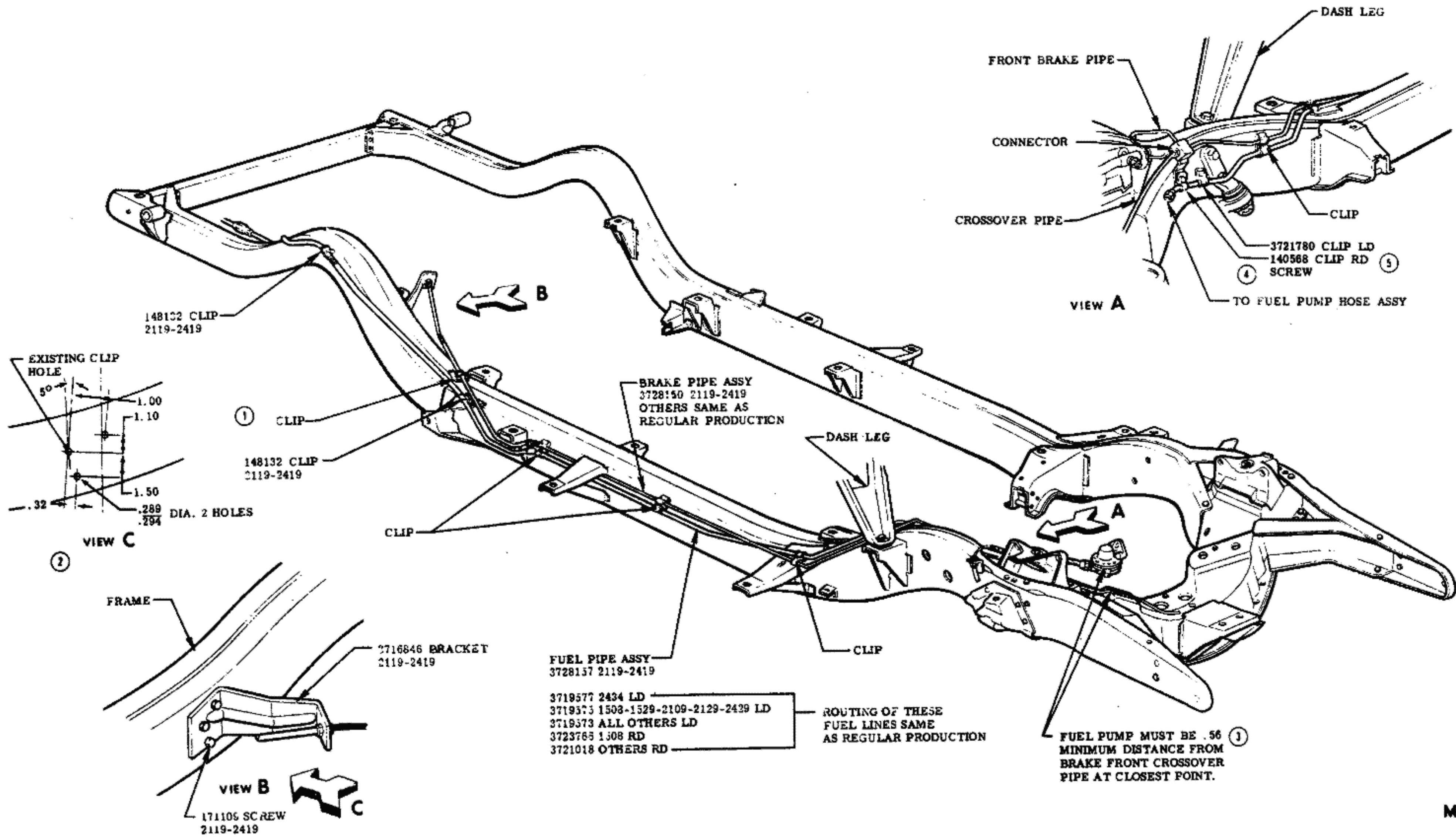
						NAME PASSENGER CAR INSTRUCTION MANUAL				
						REF.	DRAWN	CHECKED	R. P. O.	SHEET
3-6-56	2	137405 REMOVED			F			F		
10-10-55	1	3723538 REMOVED	2294		F	DATE	PART No.		221	8.00
DATE	SYM.	REVISION RECORD	AUTH.	DR.	CK.	7-25-55	3726600			



**FUEL, SPARK & CHOKE LINE
INSTRUCTION**

**MODELS
ALL**

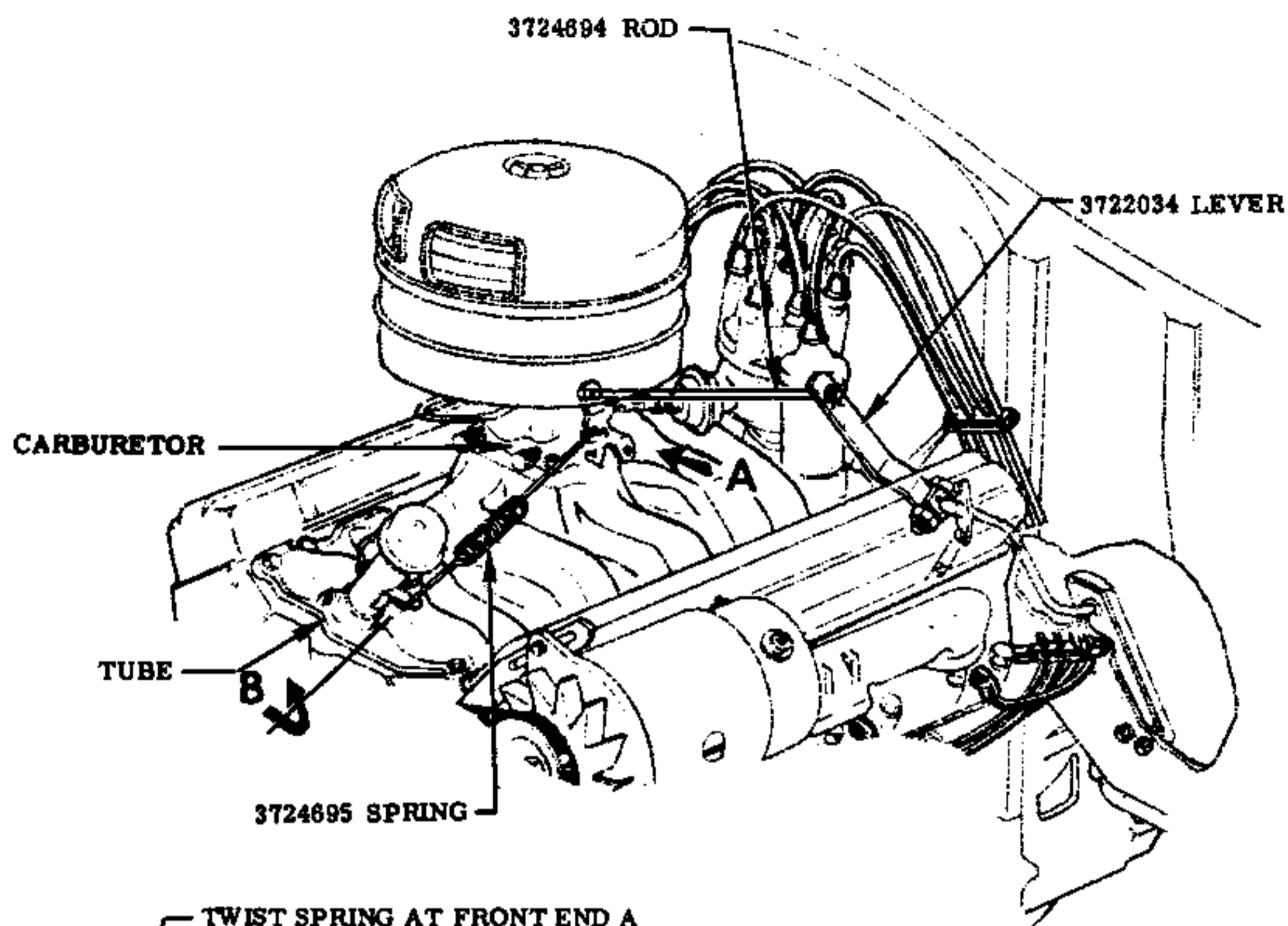
					NAME PASSENGER CAR INSTRUCTION MANUAL					
DATE	SYM.	REVISION RECORD	AUTH.	DR.	CK.	REF.	DRAWN	CHECKED	R. P. O.	SHEET
	3	CONNECTOR ROTATED	—		F			F		
11-14-55	2	PART ADDED	5055							
10-17-55	1	VIEW ADDED	2603		F	DATE 7-25-55	PART No. 3726600		221	9.00



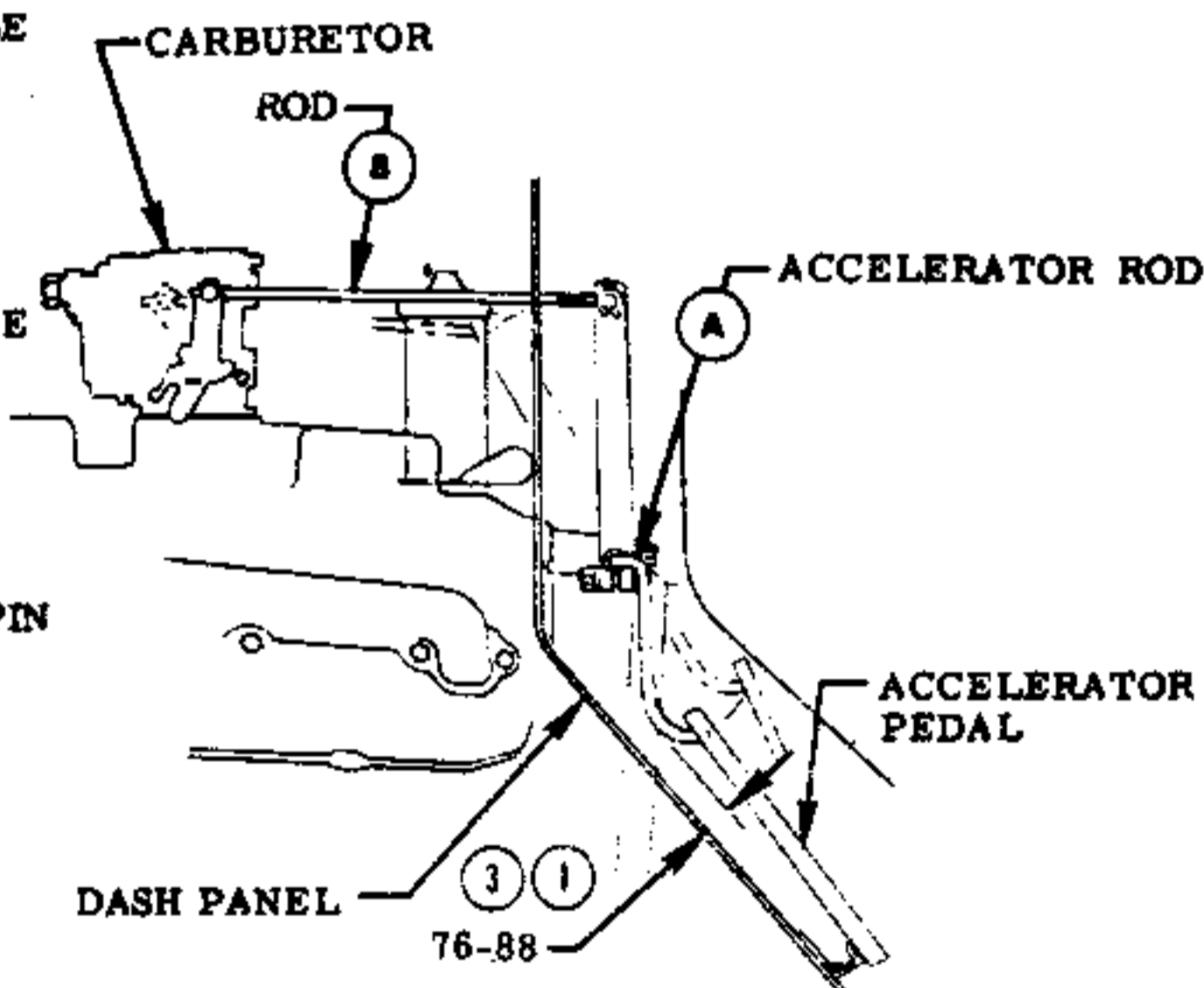
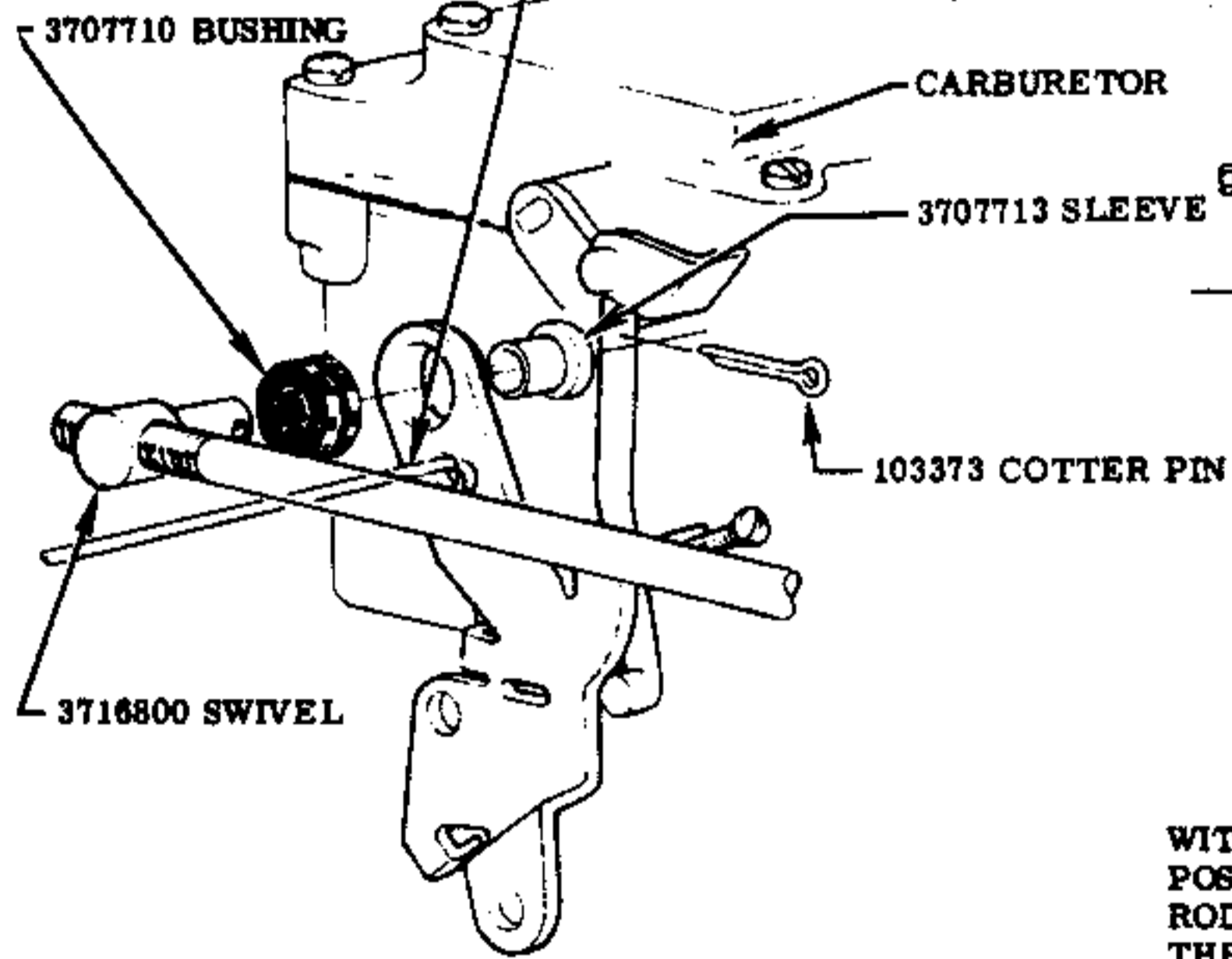
MODELS
 ALL

FUEL & BRAKE LINE INSTRUCTION

DATE	SYM.	REVISION RECORD	AUTH.	DR.	CK.	NAME	PASSENGER CAR INSTRUCTION MANUAL			
4-9-56	5	R. D. CLIP RELOCATED			F	REF.	DRAWN	CHECKED	R.P.O.	SHEET
2-22-58	4	WAS 171109 SCREW			F		J. F.	F		
1-18-58	3	NOTE ADDED	8134		F	DATE	PART No.			
1-18-58	2	VIEW C ADDED	6013		F	9-2-55	3726600			
10-18-55	1	NO 3715173-2119. 2419 REMVD			F					
									221	9.01



TWIST SPRING AT FRONT END A MAXIMUM OF 1/2 TURN IN DIRECTION OF ARROW B TO MAKE SPRING LAY UP ON CARBURETOR LEVER. FRONT END OF SPRING WILL ASSEMBLE OVER OR UNDER FILLER TUBE BRACKET AS REQUIRED



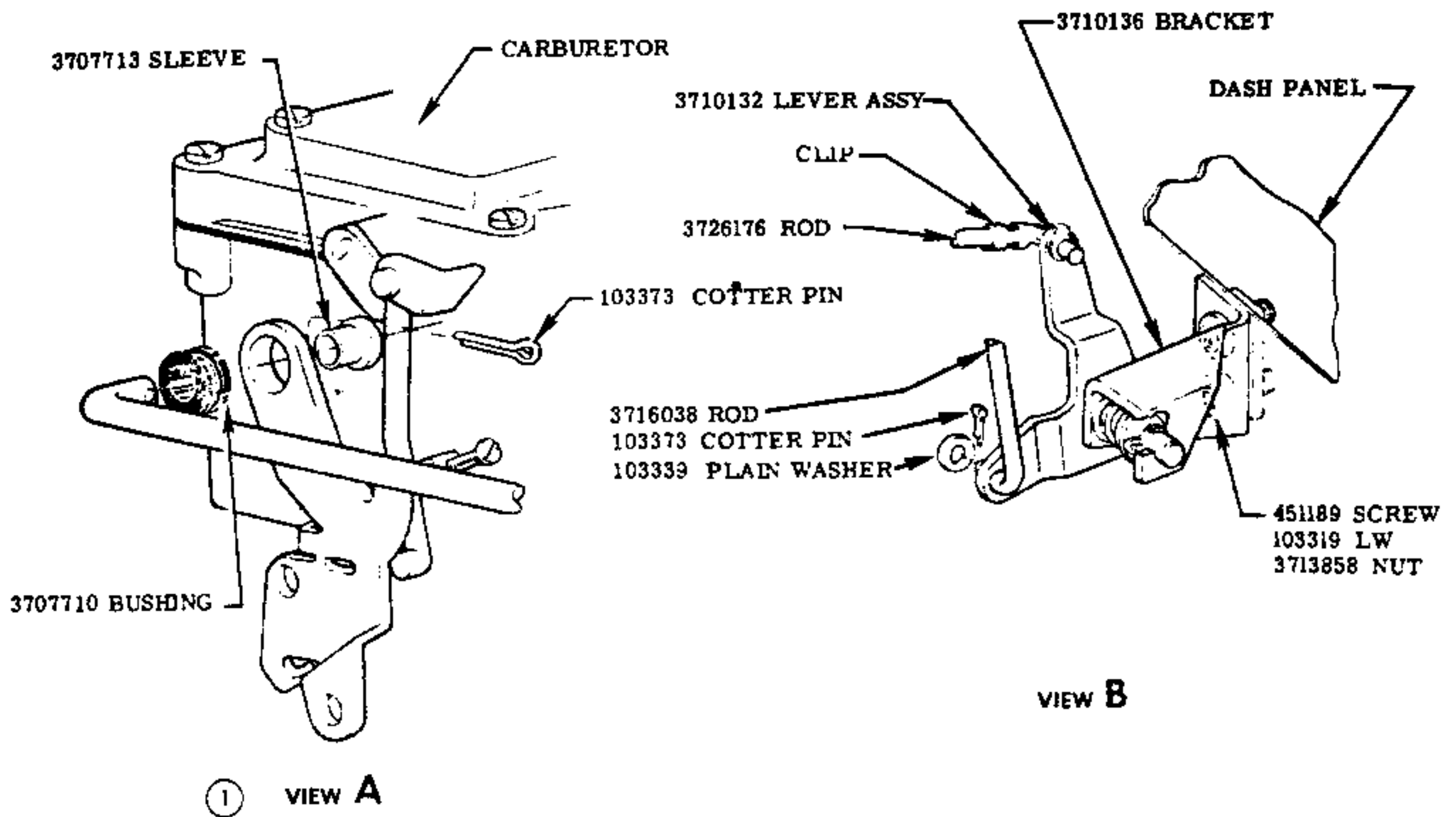
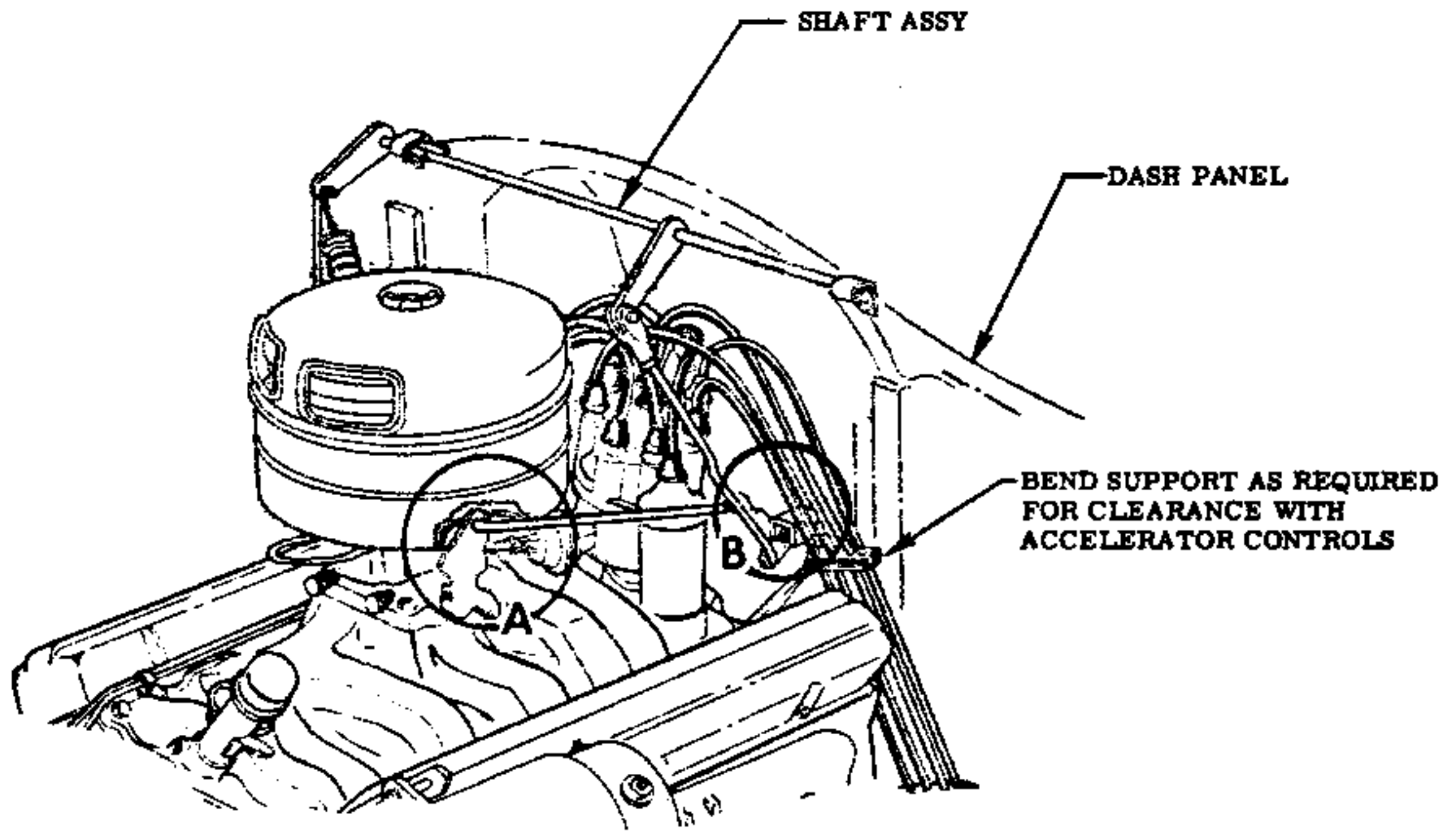
WITH ACCELERATOR ROD A POSITIONED AS SHOWN ADJUST ROD B TO GIVE WIDE OPEN THROTTLE

② VIEW A

MODELS
ALL LD

ACCELERATOR CONTROL INSTRUCTION

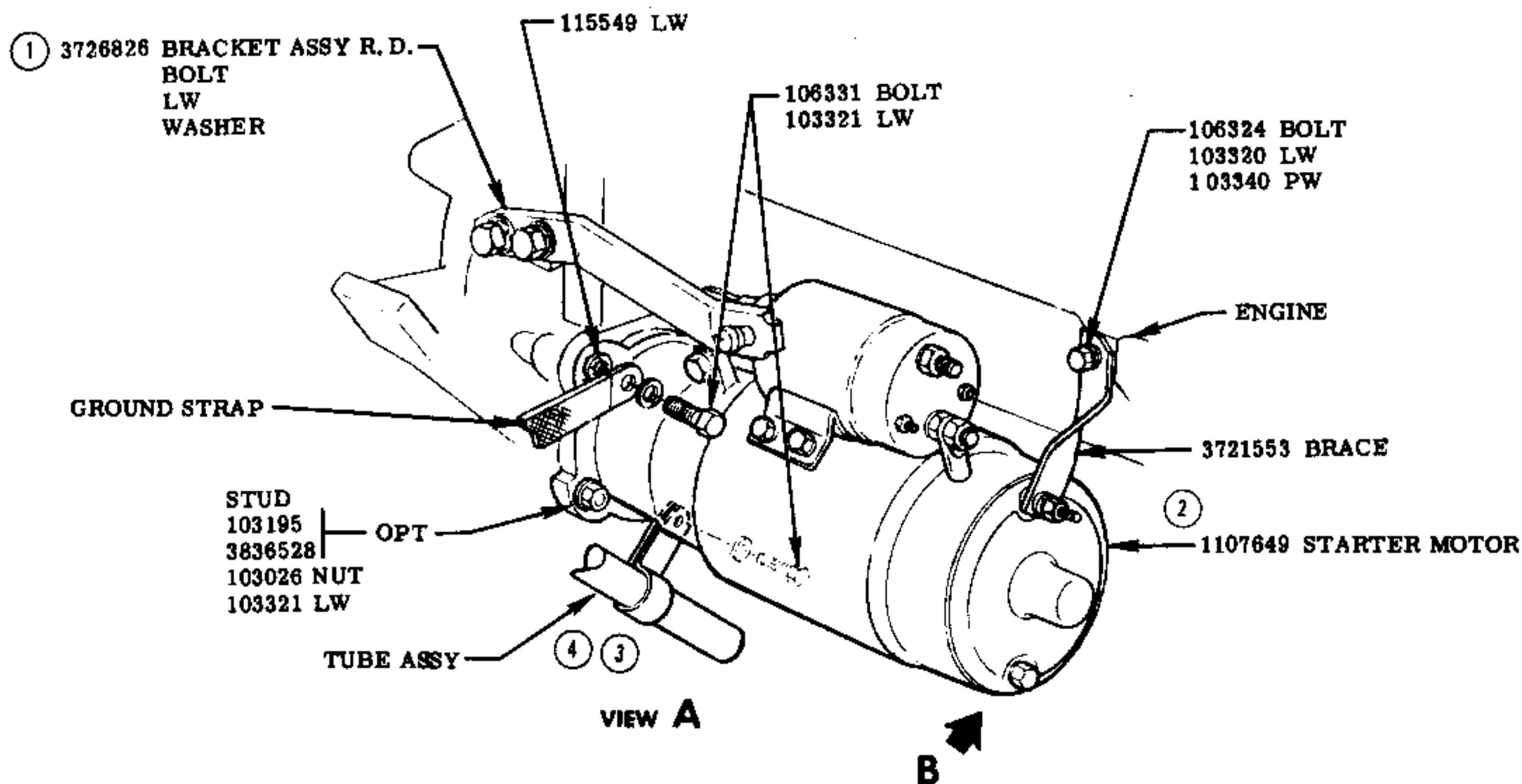
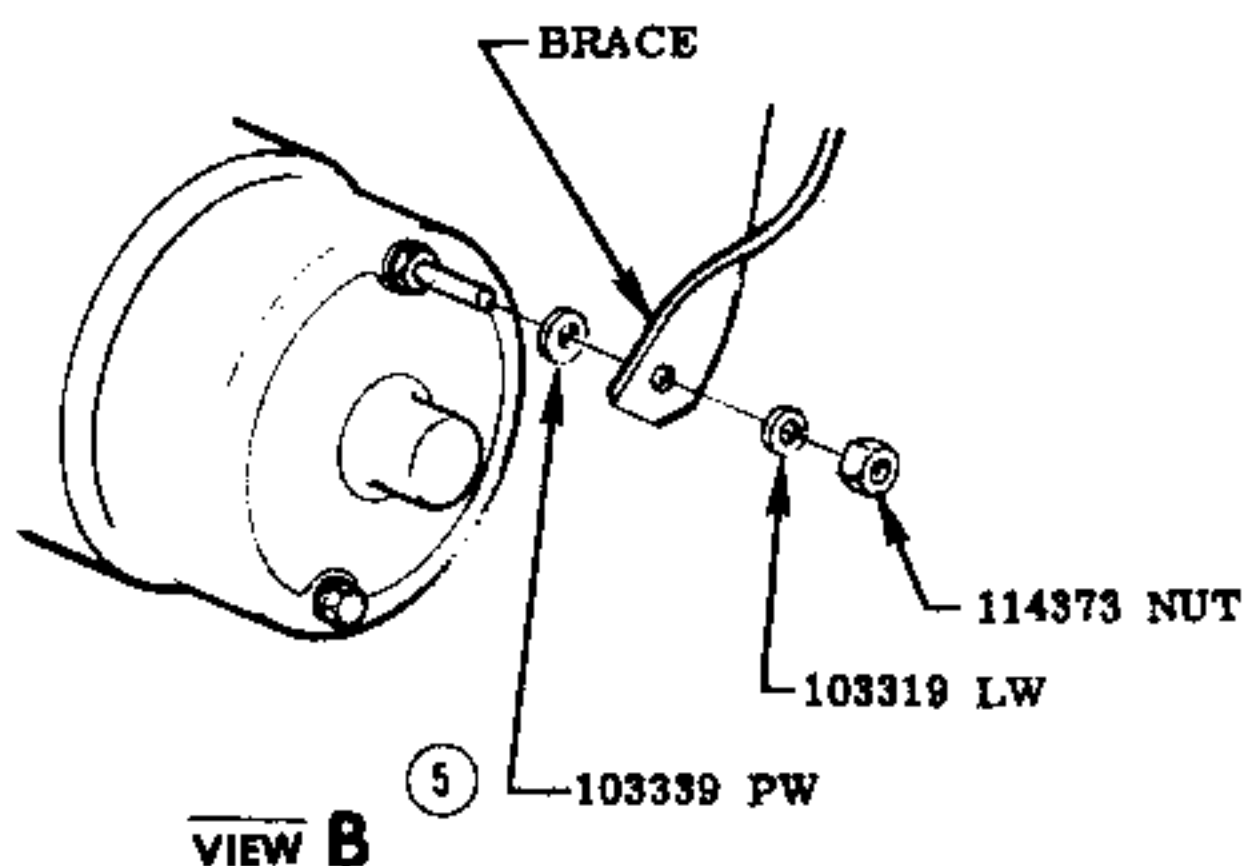
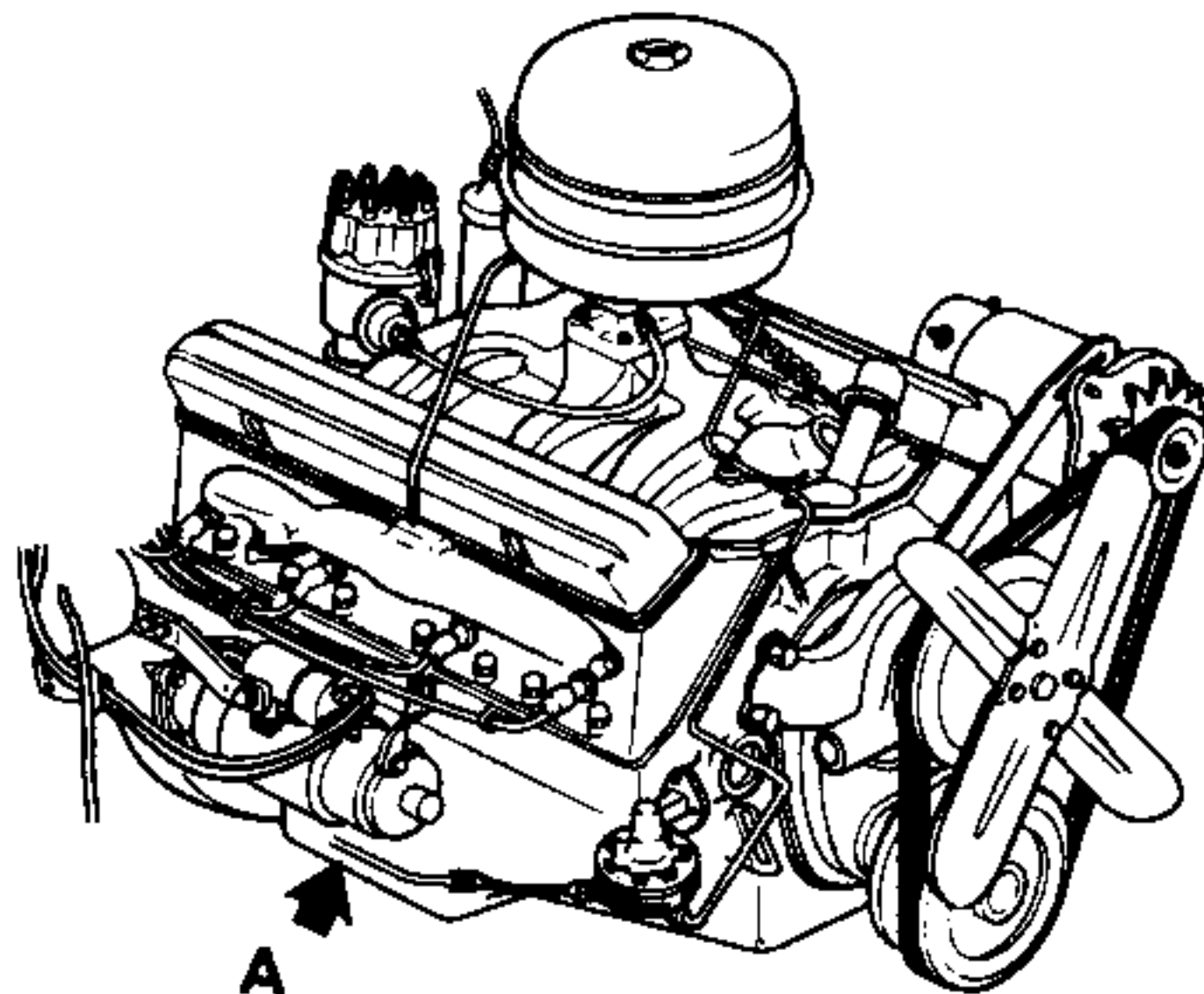
						NAME PASSENGER CAR INSTRUCTION MANUAL				
DATE	SYM.	REVISION RECORD	AUTH.	DR.	CK.	REF.	DRAWN	CHECKED	R. P. O.	SHEET
2-15-56	3	WAS 1.00	8028		F					
	2	VIEW REVISED			F			F		
10-17-55	1	WAS .68/.76				DATE	PART No.			
						7-25-55	3726600		221	10.00



MODELS
ALL RD

ACCELERATOR CONTROL INSTRUCTION

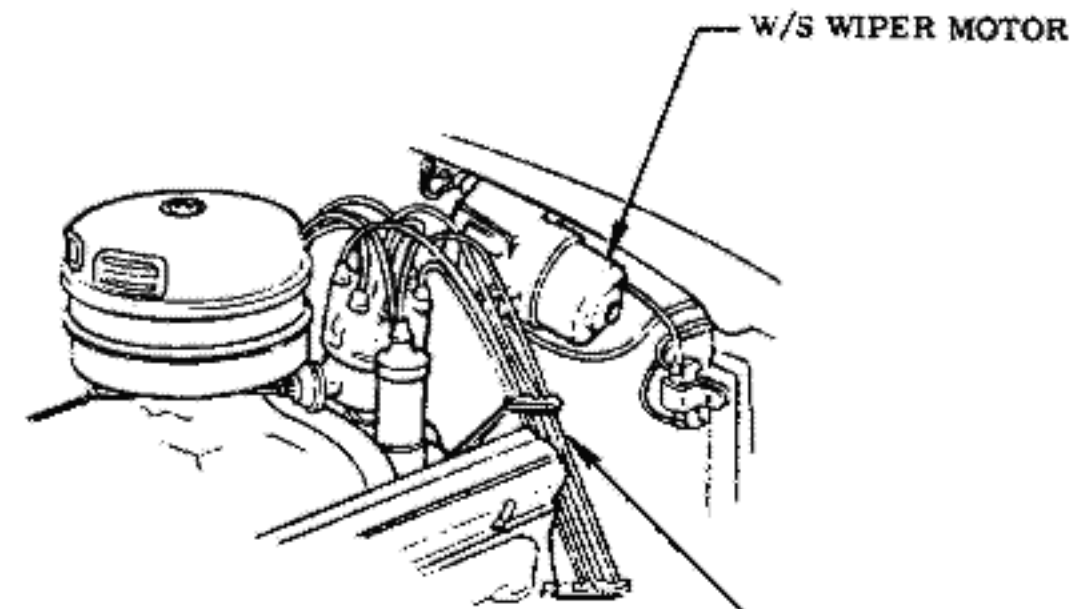
					NAME PASSENGER CAR INSTRUCTION MANUAL				
					REF.	DRAWN	CHECKED	R. P. O.	SHEET
10-17-55	1	VIEW REVISED		F	DATE	PART No		221	11.00
DATE	SYM.	REVISION RECORD	AUTH.	DR.	CK.	7-25-55	3726600		



CLUTCH HOUSING BRACKET & STARTER MOTOR INSTRUCTION

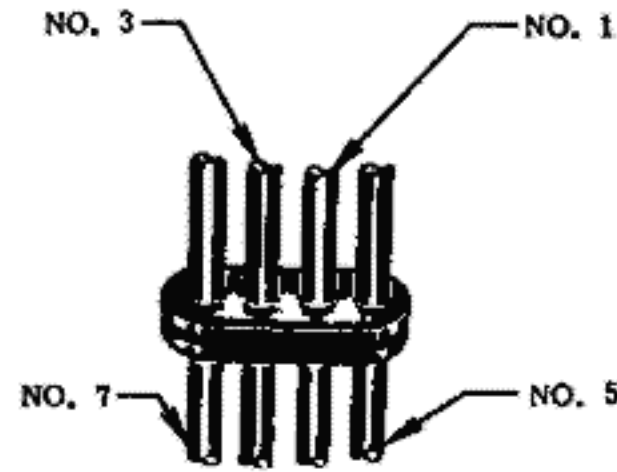
MODELS
ALL

DATE	SYM.	REVISION RECORD	AUTH.	DR.	CK.	NAME	DRAWN	CHECKED	R. P. O.	SHEET
7-23-58	5	WAS TWO WASHERS	2003		F	PASSENGER CAR INSTRUCTION MANUAL				
3-27-56	4	VIEW REVISED		V	F		V	F		
	3	VIEW COMPLETED			F					
	2	WAS 1107645	1965							
9-28-55	1	WAS 3714196	2353							
						DATE	PART No.			
						7-25-55	3726600			
									221	12.00



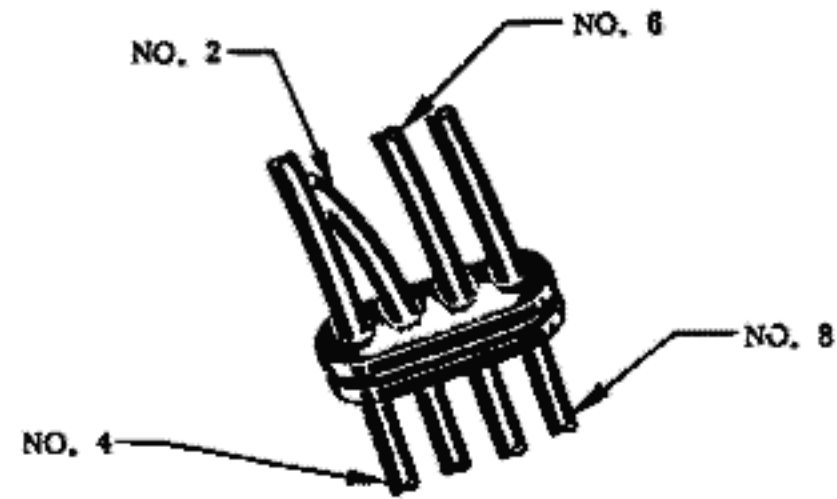
VIEW E

NOTE: SPARK PLUG WIRES SHOULD BE ASSEMBLED TO CLEAR THE WINDSHIELD WIPER MOTOR



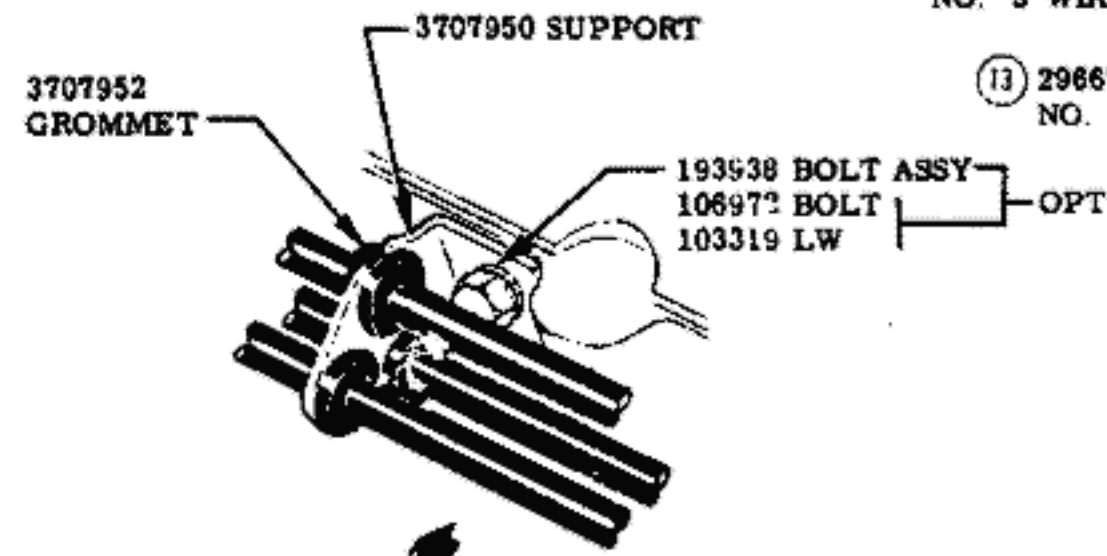
NO. 5 & 7 WIRE ASSYS MUST BE ASSEMBLED IN OUTER HOLES OF GROMMETS

VIEW B
LH SIDE



NO. 4 & 8 WIRE ASSYS MUST BE ASSEMBLED IN OUTER HOLES OF GROMMETS

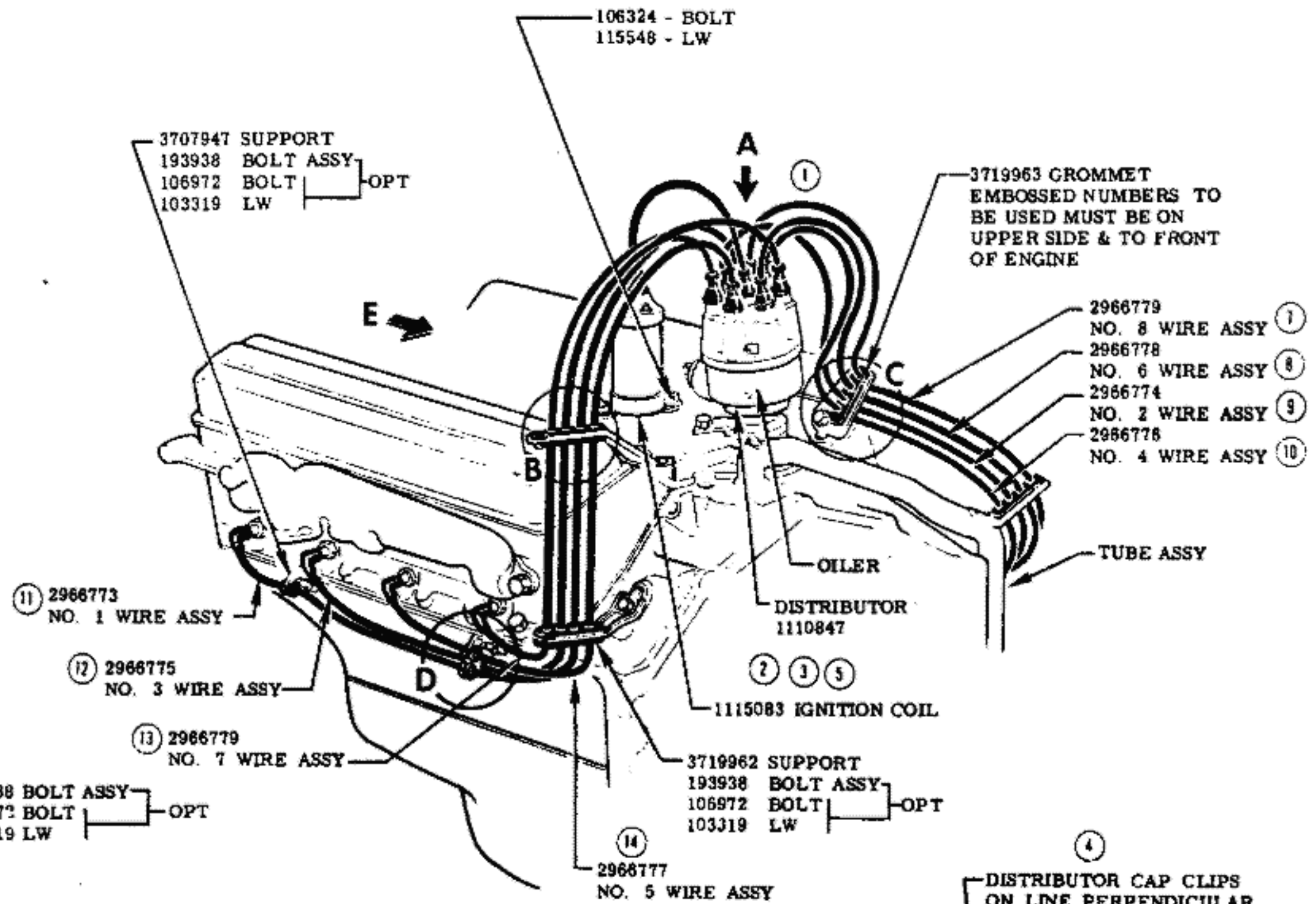
VIEW C
RH SIDE



TO FRONT OF CAR
VIEW D
LH SIDE



TO FRONT OF CAR
VIEW D
RH SIDE



3719963 GROMMET EMBOSSED NUMBERS TO BE USED MUST BE ON UPPER SIDE & TO FRONT OF ENGINE

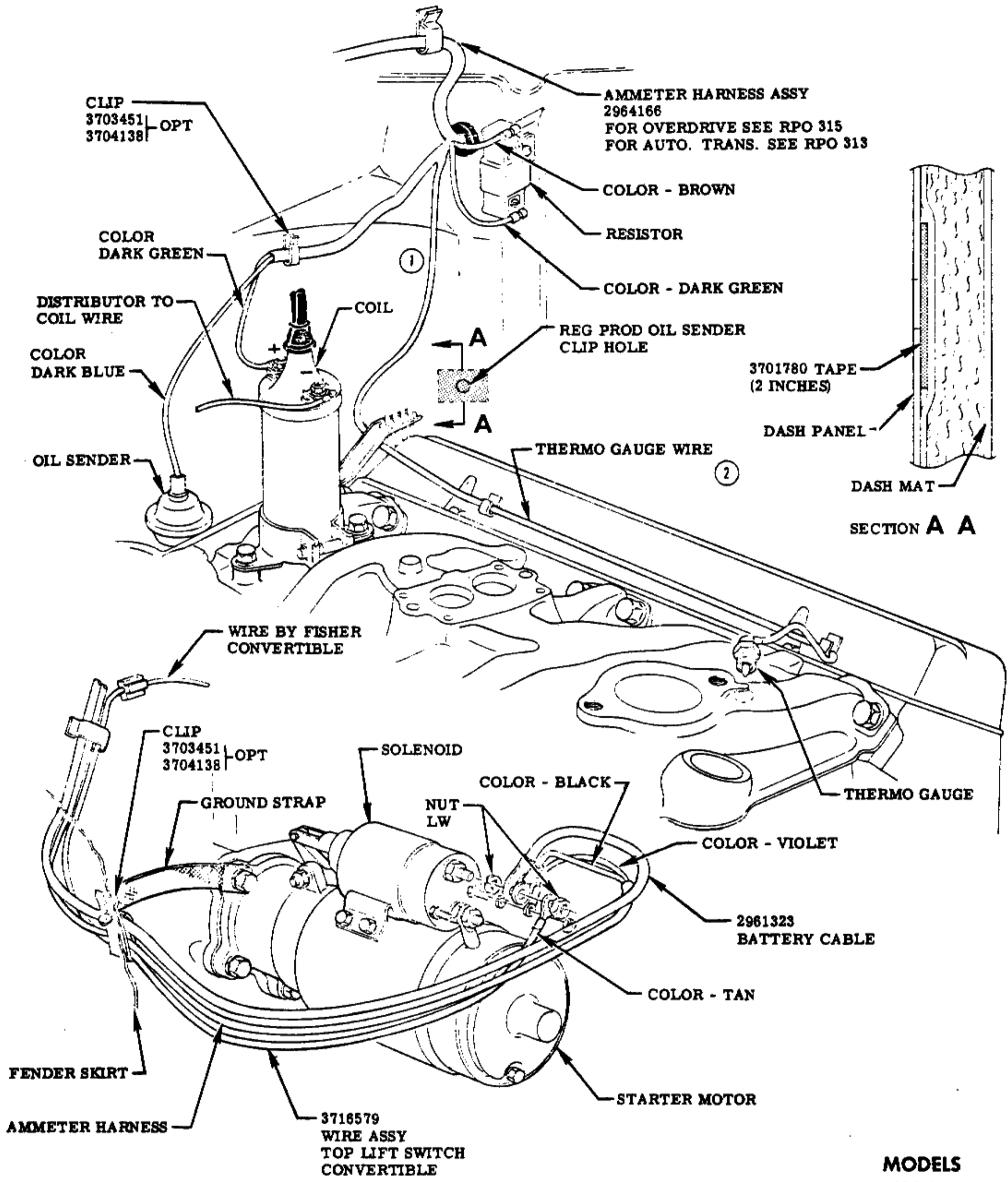
DISTRIBUTOR CAP CLIPS ON LINE PERPENDICULAR TO AXIS OF ENGINE

FORWARD OF ENGINE

DISTRIBUTOR, COIL & SPARK PLUG WIRING INSTRUCTION

MODELS ALL

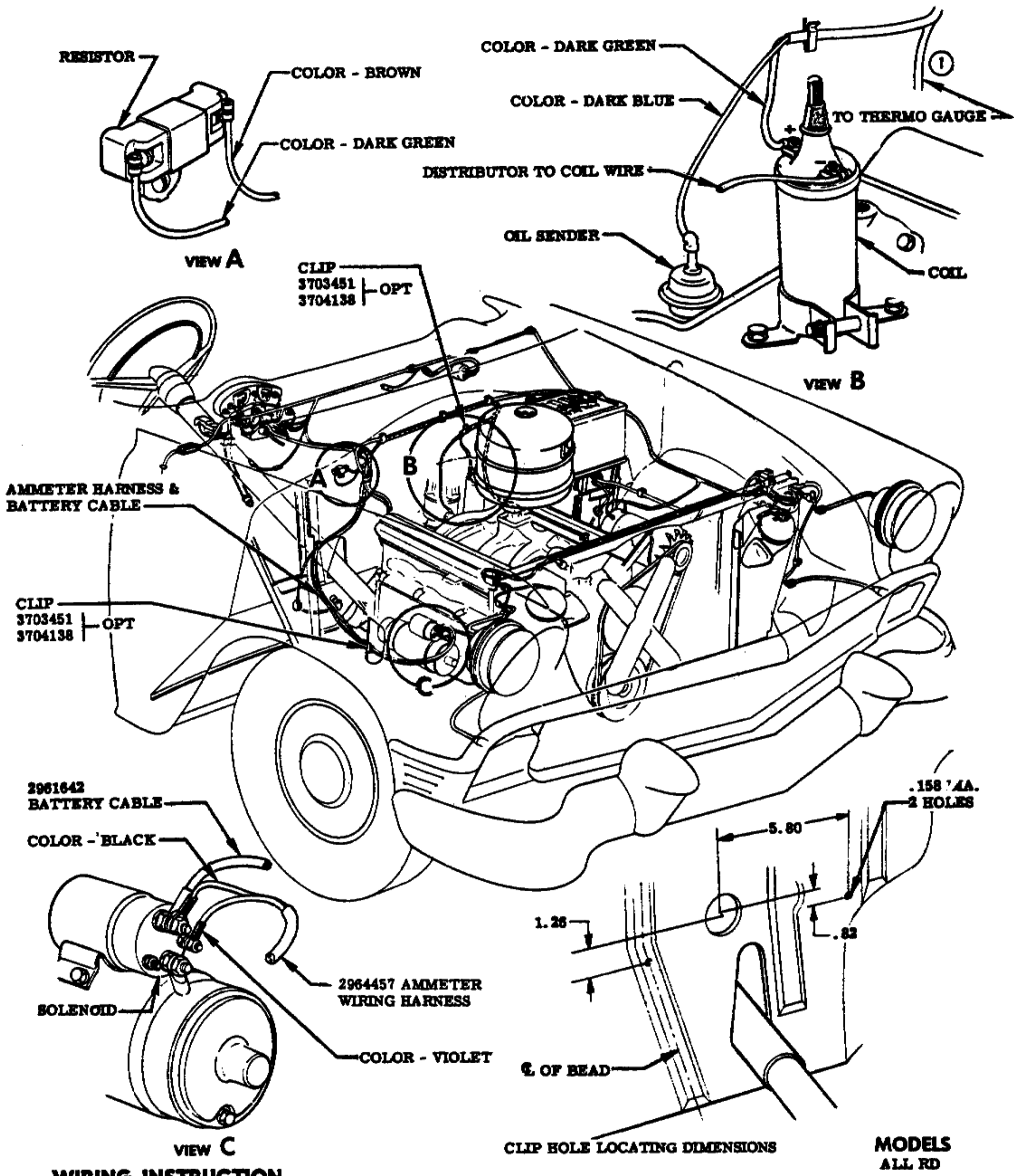
14	WAS 2964593					10	WAS 2964592					NAME	PASSENGER CAR INSTRUCTION MANUAL				
13	WAS 2964595				F	9	WAS 2964590					REF.	DRAWN	CHECKED	F	R. P. O.	SHEET
12	WAS 2964591					7	WAS 2964595					DATE	7-25-55	PART No.	3726600	221	13.00
11	WAS 2964589					8	REDRAWN	6303									
DATE	SYM.	REVISION RECORD	AUTH.	DR.	CK.	DATE	SYM.	REVISION RECORD	AUTH.	DR.	CK.						



WIRING INSTRUCTION

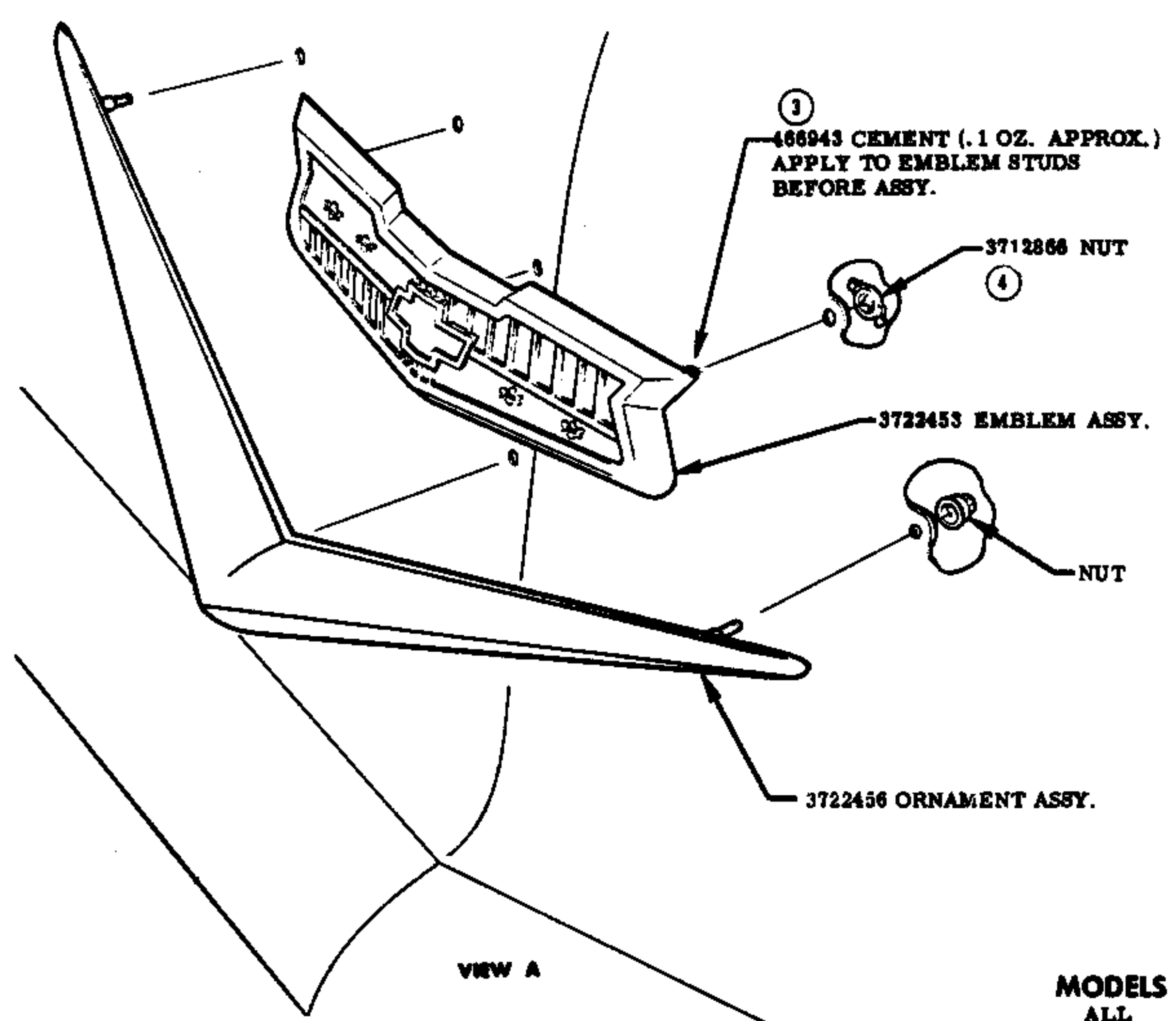
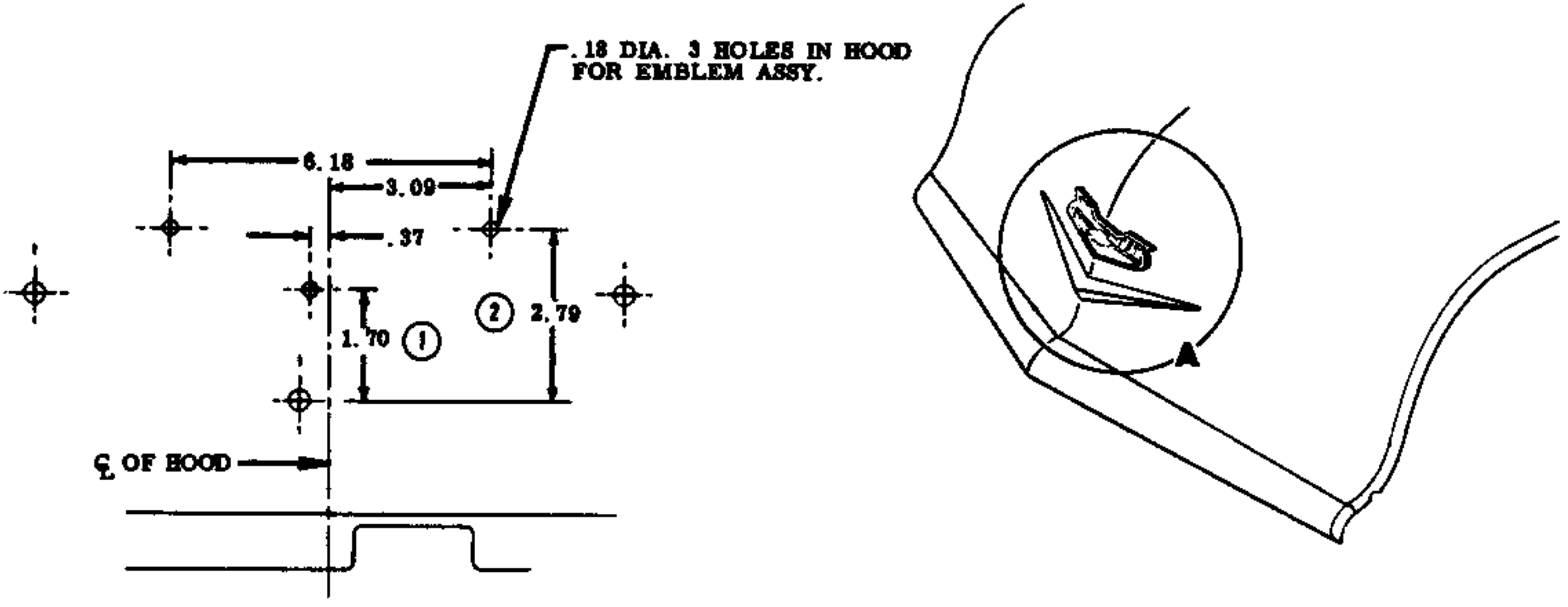
**MODELS
ALL LD**

					NAME PASSENGER CAR INSTRUCTION MANUAL				
					REF.	DRAWN	CHECKED	R. P. O.	SHEET
								F	
12-5-55	2	SECTION ADDED	5412	F	DATE	PART No.	221 14.00		
	1	WIRE REROUTED			7-25-55	3726600			
DATE	SYM.	REVISION RECORD	AUTH.	DR.	CK.				



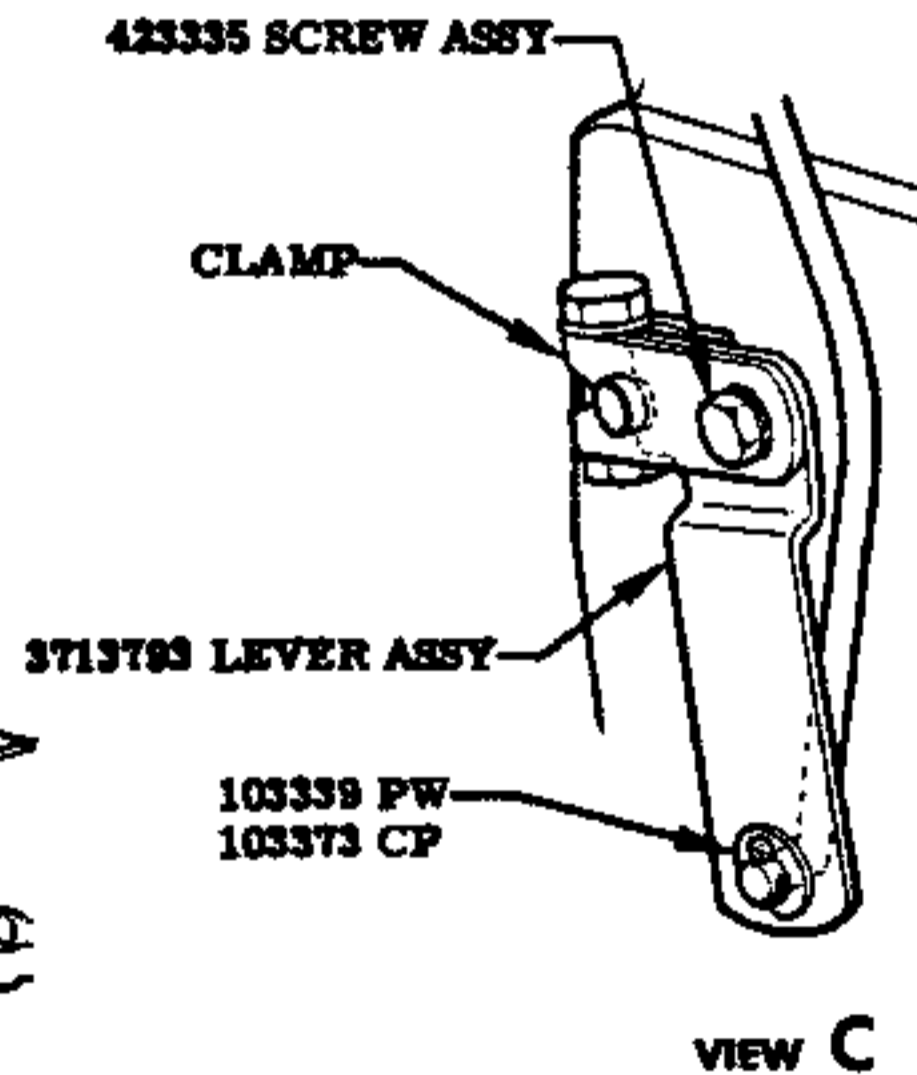
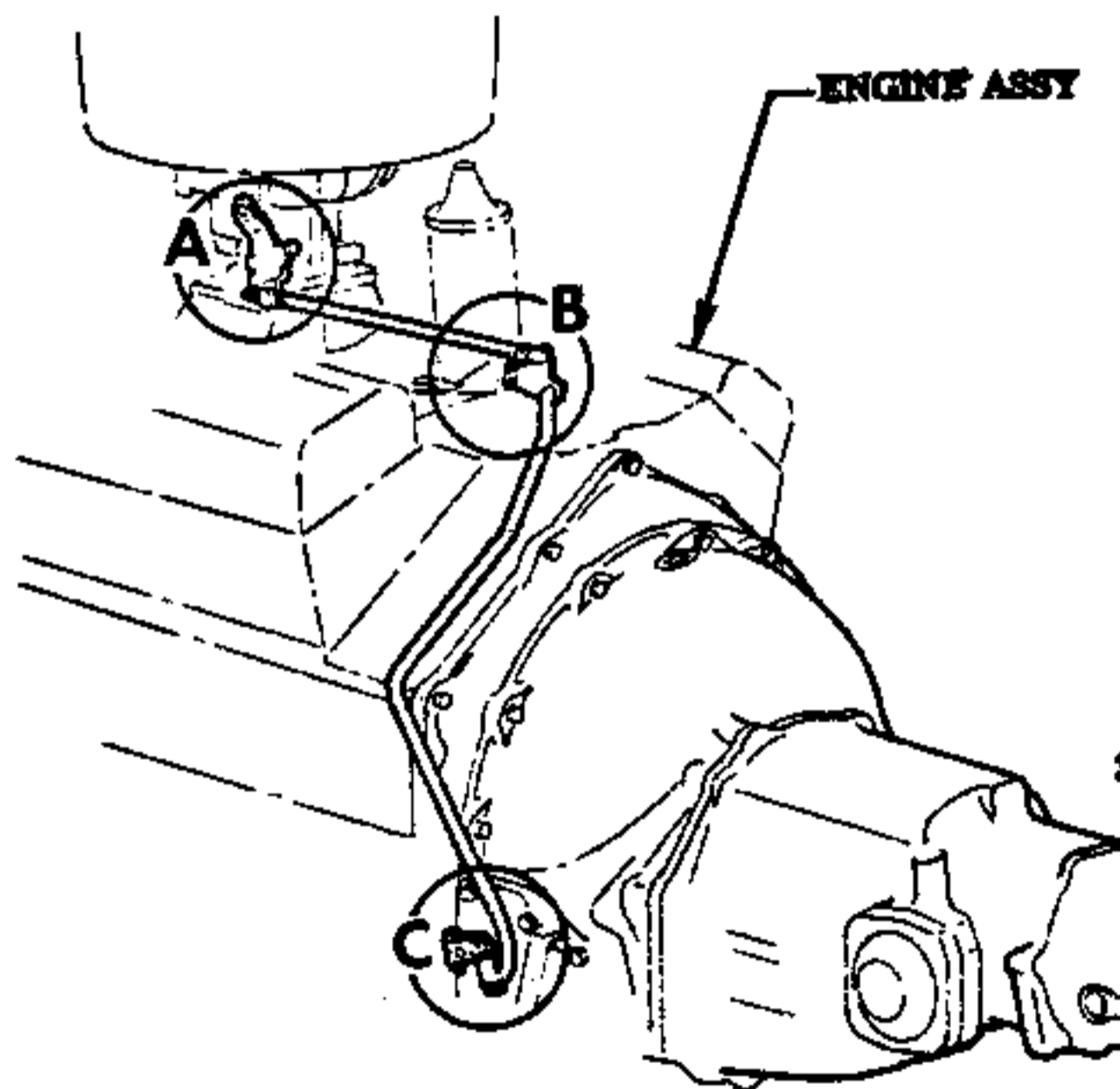
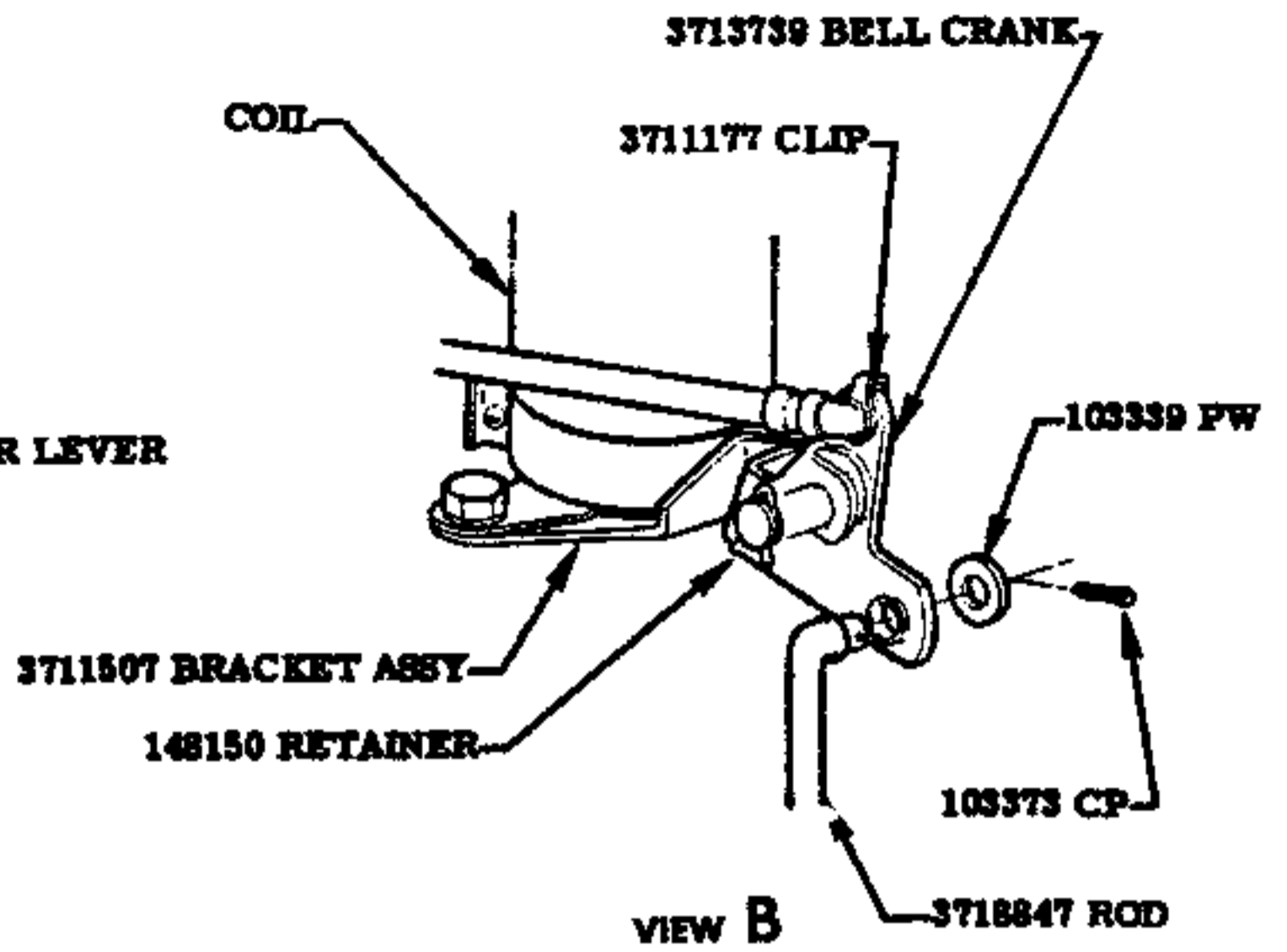
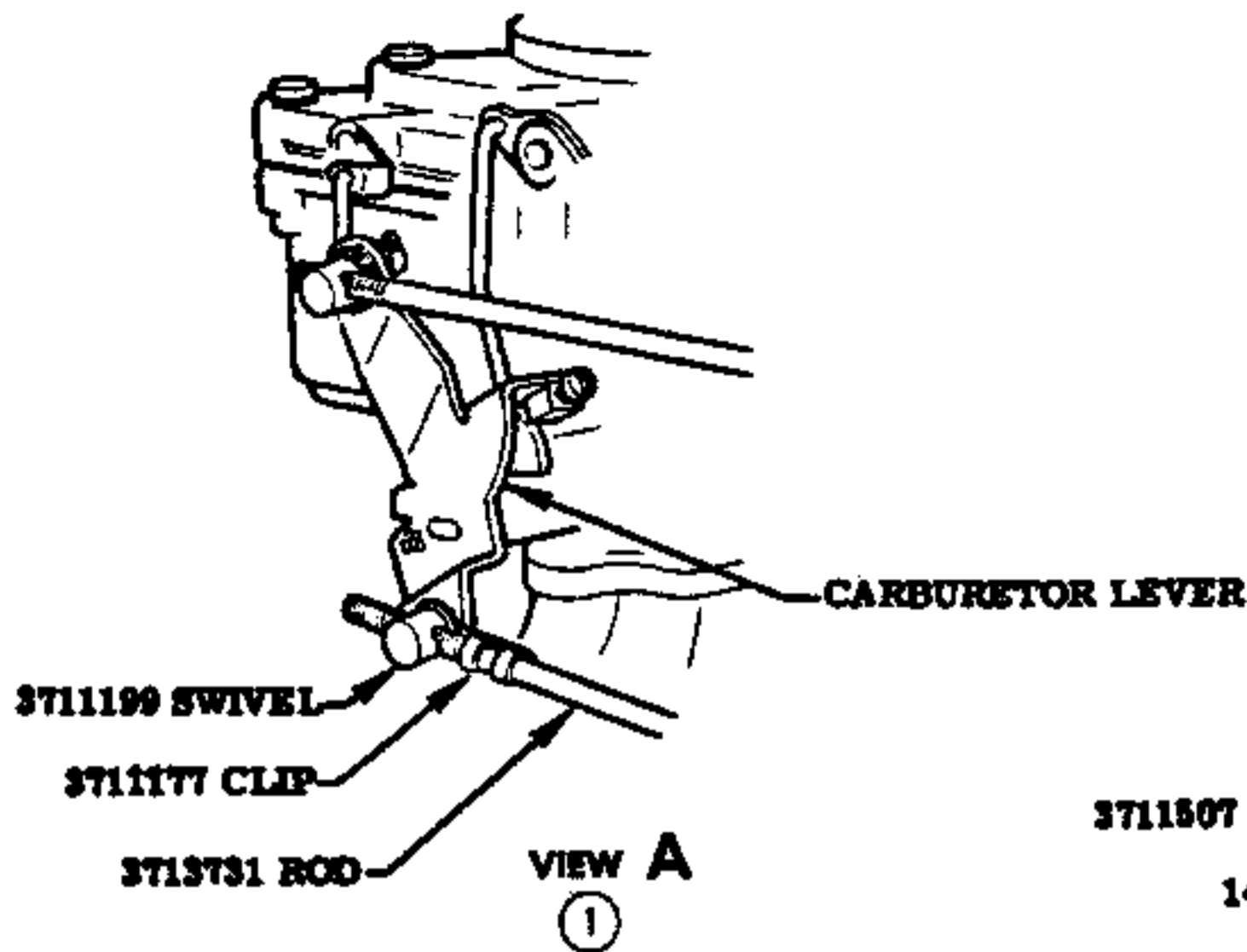
WIRING INSTRUCTION

					NAME PASSENGER CAR INSTRUCTION MANUAL						
					REF.	DRAWN	CHECKED	F	R. P. O.	SHEET	
11-14-55	1	WIRE REROUTED		F	DATE	PART No.	221 15.00				
DATE	SYM.	REVISION RECORD	AUTH.	DR.	CK.	7-25-55	3726600				



HOOD EMBLEM & ORNAMENT INSTRUCTION

DATE	SYM.	REVISION RECORD	AUTH.	DR.	CK.	NAME	DRAWN	CHECKED	R.P.O.	SHEET
2-2-56	4	3712866, OPT REMOVED	6673		F	PASSENGER CAR INSTRUCTION MANUAL				
11-21-55	3	PART ADDED	5196		F			F		
	2	WAS 5.86 IN ERROR			F					
10-24-55	1	WAS 4.69 IN ERROR								
						DATE	PART No.			
						7-25-55	3726600		221	16.00

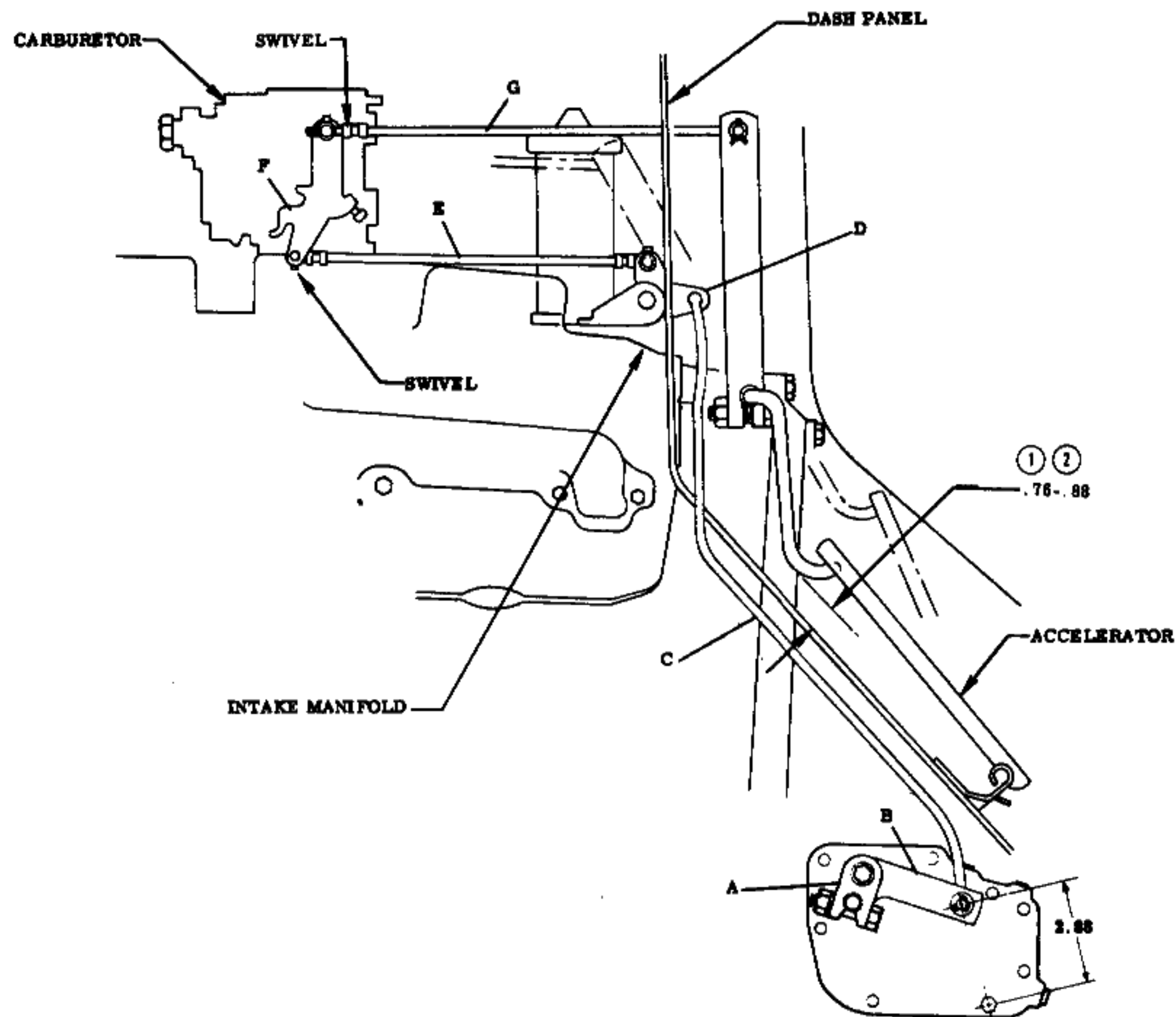


**CARBURETOR TO TRANSMISSION
LINKAGE INSTRUCTION
(AUTOMATIC TRANSMISSION)**

**MODELS
ALL**

					NAME PASSENGER CAR INSTRUCTION MANUAL				
					REF.	DRAWN	CHECKED	SECT.	SHEET
					F				
11-14-55	1	VIEW REVISED			DATE	PART No.	221 18.00		
					7-25-55	3726600			
DATE	SYM.	REVISION RECORD	AUTH.	DR.	CK.				

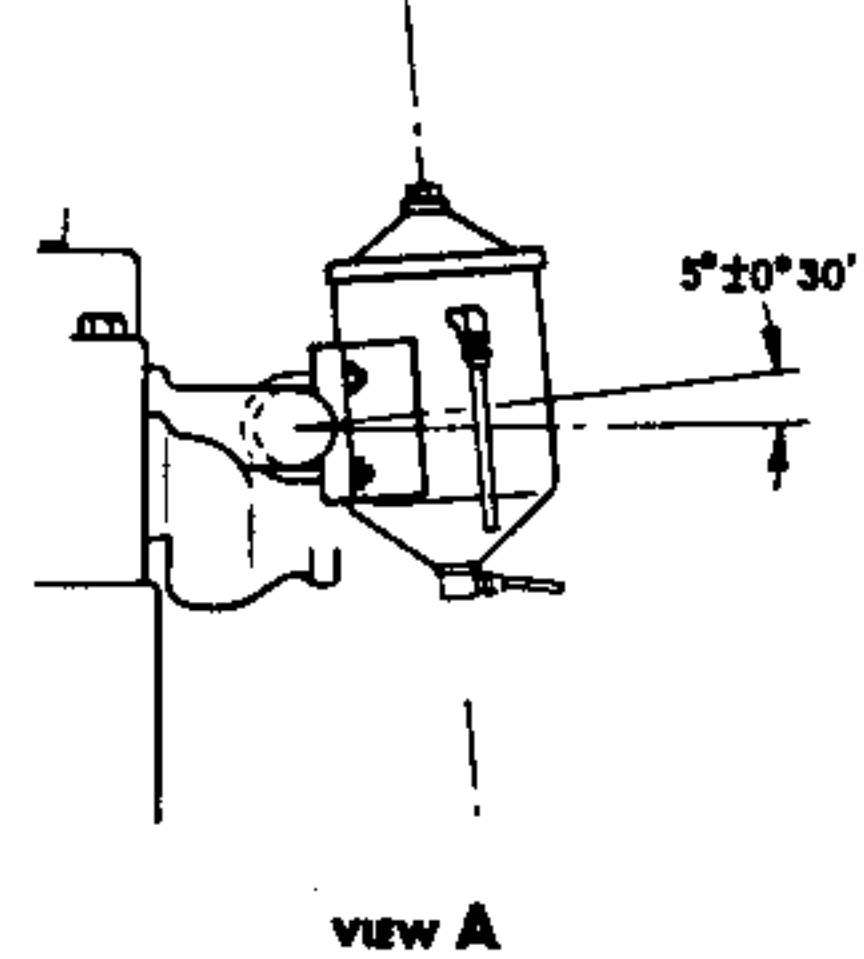
1. LOOSELY ASSEMBLE LEVER (B) TO CLAMP (A).
2. INSERT GAUGE BETWEEN TRANSMISSION LEFT HAND SIDE COVER LOWER REAR BOLT AND HOLE IN LEVER (B) (2.88 DIMENSION BETWEEN BOLT AND HOLE CENTERLINES). WITH GAUGE IN PLACE AND HOLDING CLAMP (A) COUNTER CLOCKWISE IN FULL DETENT POSITION, TIGHTEN LEVER (B) TO CLAMP (A). REMOVE GAUGE.
3. INSTALL ROD (C).
4. INSTALL ROD (E) IN LEVER (D). PLACE LEVER (F) IN WIDE OPEN POSITION AND PULL ROD (E) FORWARD UNTIL IT IS STOPPED BY TRANSMISSION INTERNAL STOP. ADJUST SWIVEL IN ROD (E) FOR EASY ENTRANCE IN LEVER (F) BEFORE FIXING SWIVEL IN LEVER (F).
5. CHECK ADJUSTMENT BY PLACING LINKAGE IN IDLE POSITION, THEN RETURN TO WIDE OPEN POSITION BY ROTATING LEVER (F). PUSH UPWARD ON LEVER (B) AND NOTE IF ROD (C) DEFLECTS, MEANING TRANSMISSION IS NOT ON INTERNAL STOP. IF ROD DEFLECTS, OR LEVER (F) WILL NOT REACH WIDE OPEN POSITION, REPEAT ADJUSTMENT 4.
6. WITH ACCELERATOR PEDAL DEPRESSED, PLACING LOWEST POINT ON ACCELERATOR ROD .76-88 ABOVE TOE PANEL, AND LEVER (F) ROTATED TO WIDE OPEN POSITION, ADJUST SWIVEL IN ROD (G) FOR FREE ENTRY INTO LEVER (F) BEFORE FIXING SWIVEL TO LEVER (F).
7. CHECK ADJUSTMENT BY RELEASING, THEN DEPRESSING ACCELERATOR PEDAL. CHECK LEVER (F) FOR WIDE OPEN POSITION. IF LEVER (F) WILL NOT REACH WIDE OPEN POSITION, REPEAT STEP 6.



CARBURETOR TO TRANSMISSION LINKAGE INSTRUCTION
(AUTOMATIC TRANSMISSION)

MODELS
ALL

REVISION RECORD						PASSENGER CAR INSTRUCTION MANUAL				
DATE	SYM.	REVISION RECORD	AUTH.	DR.	CK.	REF.	DRAWN	CHECKED	R. P. O.	SHEET
2-15-56	2	WAS 1.00		8028	F					
1-30-56	1	WAS .68-.76			F					
						DATE	PART No.			
						7-25-55	3726600			221 19.00



5573508 OIL FILTER & BRACKET ASSY

VIEW A

ELBOW
3699779
169983 | OPT

5573481 U BOLT

120376 NUT
120214 LW

4.88

3711266 HOSE ASSY

②
3703503 HOSE ASSY

① ELBOW
3699779
169983 | OPT

OIL PRESSURE SWITCH

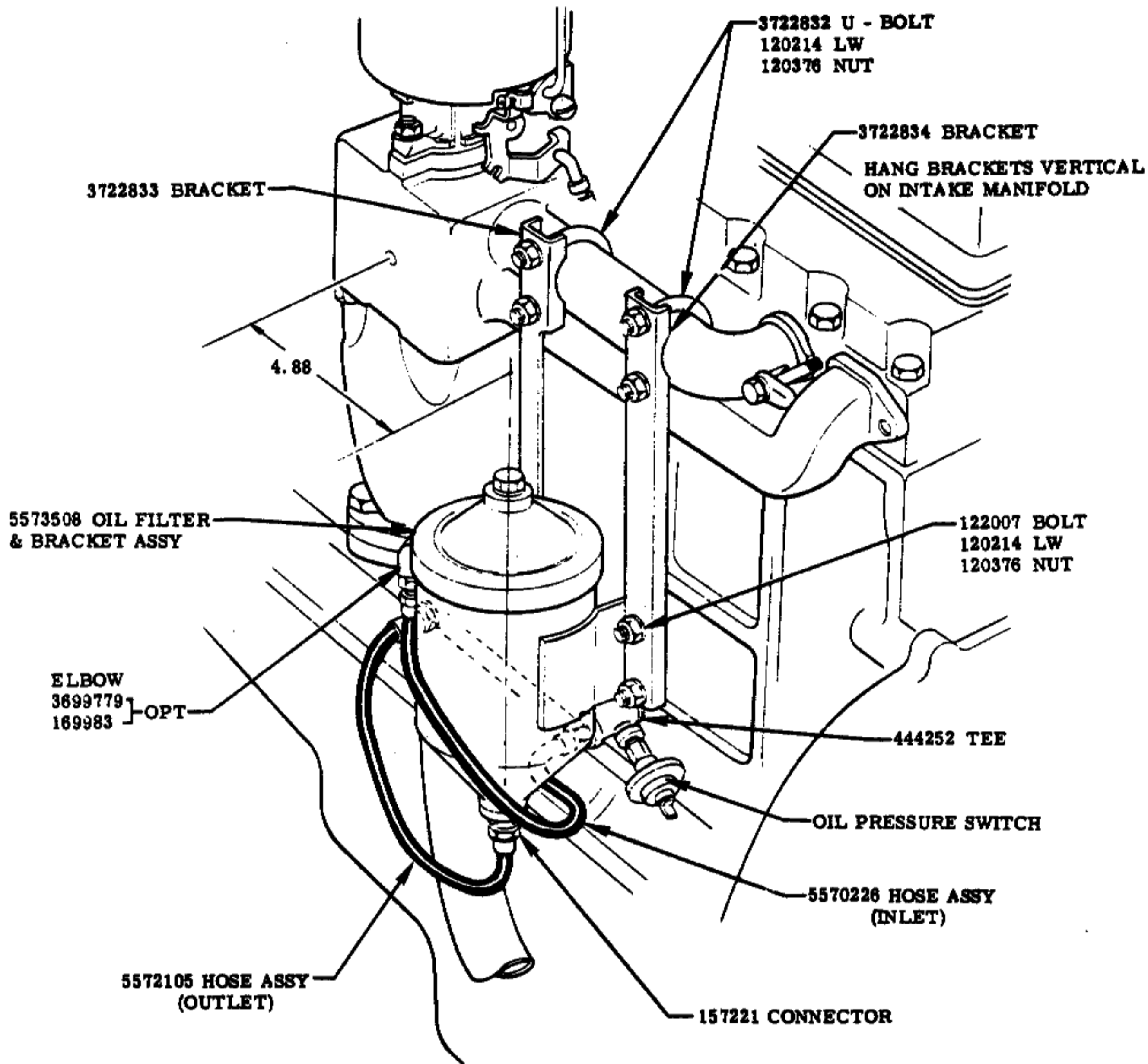
444252 TEE

SEE LUBRICATION INSTRUCTION

OIL FILTER INSTRUCTION

MODELS
ALL L. D.

					NAME PASSENGER CAR INSTRUCTION MANUAL				
					REF	DRAWN	CHECKED F	R.P.O.	SHEET
10-17-55	2	HOSE REROUTED WAS 157221 CONNECTOR	3111		DATE	PART No.	237 1.00		
DATE	SYM.	REVISION RECORD	AUTH.	DR	CK.	7-25-55	3726600		



SEE LUBRICATION INSTRUCTION

OIL FILTER INSTRUCTION

MODELS
ALL R. D.

						NAME	PASSENGER CAR INSTRUCTION MANUAL			
						REF.	DRAWN	CHECKED	R.P.O.	SHEET
						DATE	PART No.			
DATE	SYM.	REVISION RECORD	AUTH.	DR.	CK.	7-25-55	3726600		237	2.00

ENGINE ASSY.

5573837 VALVE ASSY.

100111 BOLT

①
3737705 GASKET
 GASKET MAY BE ASSEMBLED TO RIM OF VALVE ASSEMBLY BEFORE INSTALLATION OF VALVE INTO ENGINE TO ASSURE PROPER POSITION OF GASKET AND REDUCE CHANCE OF DAMAGE TO GASKET DURING SUBSEQUENT INSTALLATION OF OIL FILTER.

CLUTCH & FLYWHEEL HOUSING

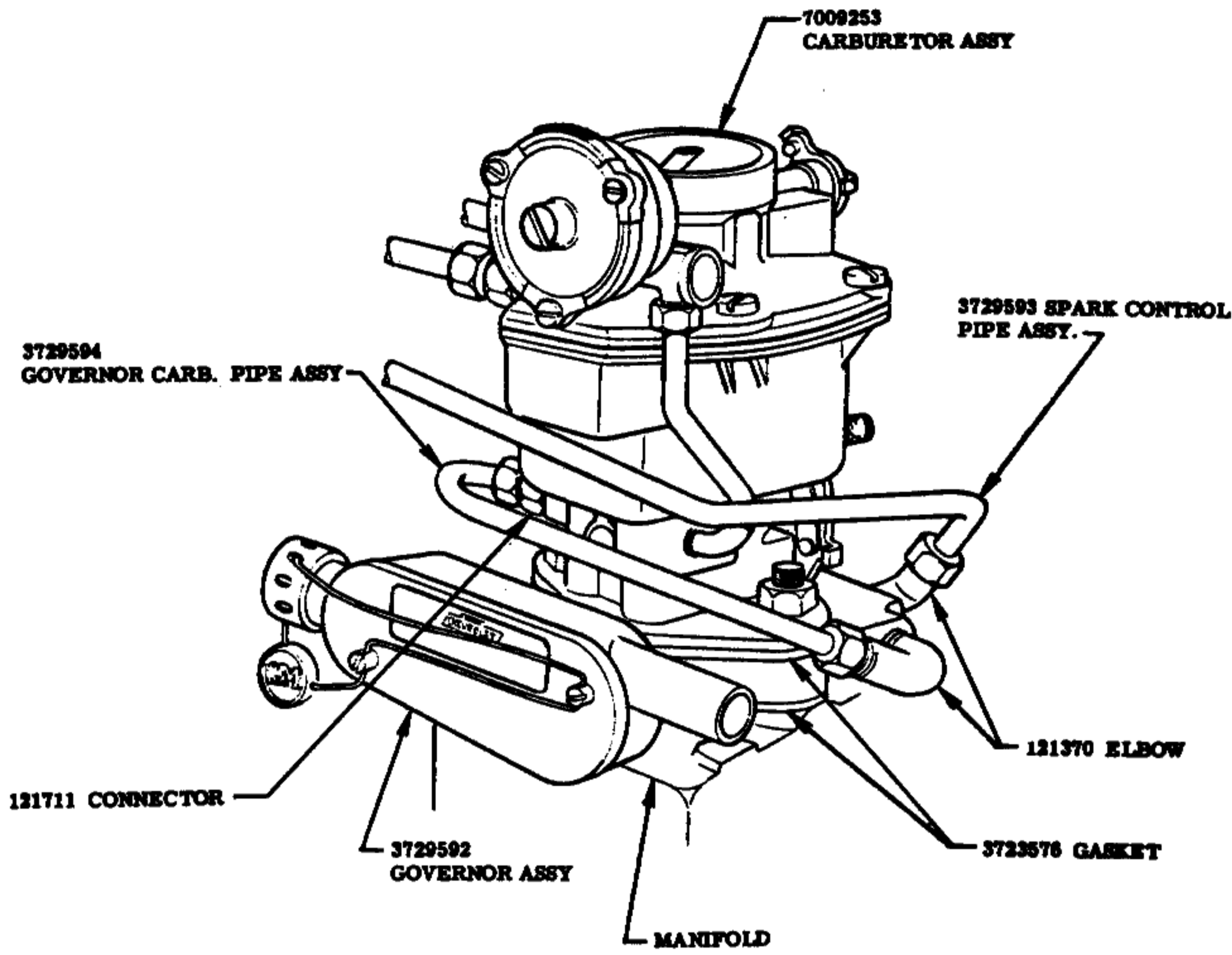
OIL PAN

5573993 OIL FILTER ASSY.

MODELS
 ALL

SEE LUBRICATION INSTRUCTION
OIL FILTER INSTRUCTION

						NAME PASSENGER CAR INSTRUCTION MANUAL				
						REF. 6960	DRAWN W. O.	CHECKED F	R.P.O.	SHEET
5-1-56	1	WAS 5573827	8580	V	F	DATE 2-27-56	PART No. 3726600	237		3.00
DATE	SYM.	REVISION RECORD	AUTH.	DR.	CK.					



GOVERNOR INSTRUCTION

MODELS
ALL LD
6 CYL. ONLY

						NAME PASSENGER CAR INSTRUCTION MANUAL				
						REF.	DRAWN K. M.	CHECKED F	R.P.O.	SHEET
11-14-55	1	REDRAWN & REVISED	2706		F	DATE	PART No.		241	1.00
DATE	SYM.	REVISION RECORD	AUTH.	DR.	CK.		3726600			

372581 GOVERNOR
CARBURETOR PIPE ASSY

121711 CONNECTOR

DISTRIBUTOR

7009345 CARBURETOR

3718380 CARBURETOR
GASOLINE PIPE ASSY

372558 CARBURETOR
PIPE ASSY

3729482 GOVERNOR ASSY

372580 SPARK CONTROL
PIPE ASSY

1552041 AIR CLEANER
& SILENCER ASSY

450640 SCREW

372582 ADAPTOR ASSY

3718388 STUD

3722032 SPRING

COIL

3718861 BRACKET
HELD IN PLACE BY
COIL ATTACHING
PARTS

3681726 HOSE

WASHER

WING NUT

3729311 SUPPORT

179841 BOLT

3724144 CONNECTOR ASSY
444626 PLUG (RPO 320)

3718359 GASKET

3704952 GASKET

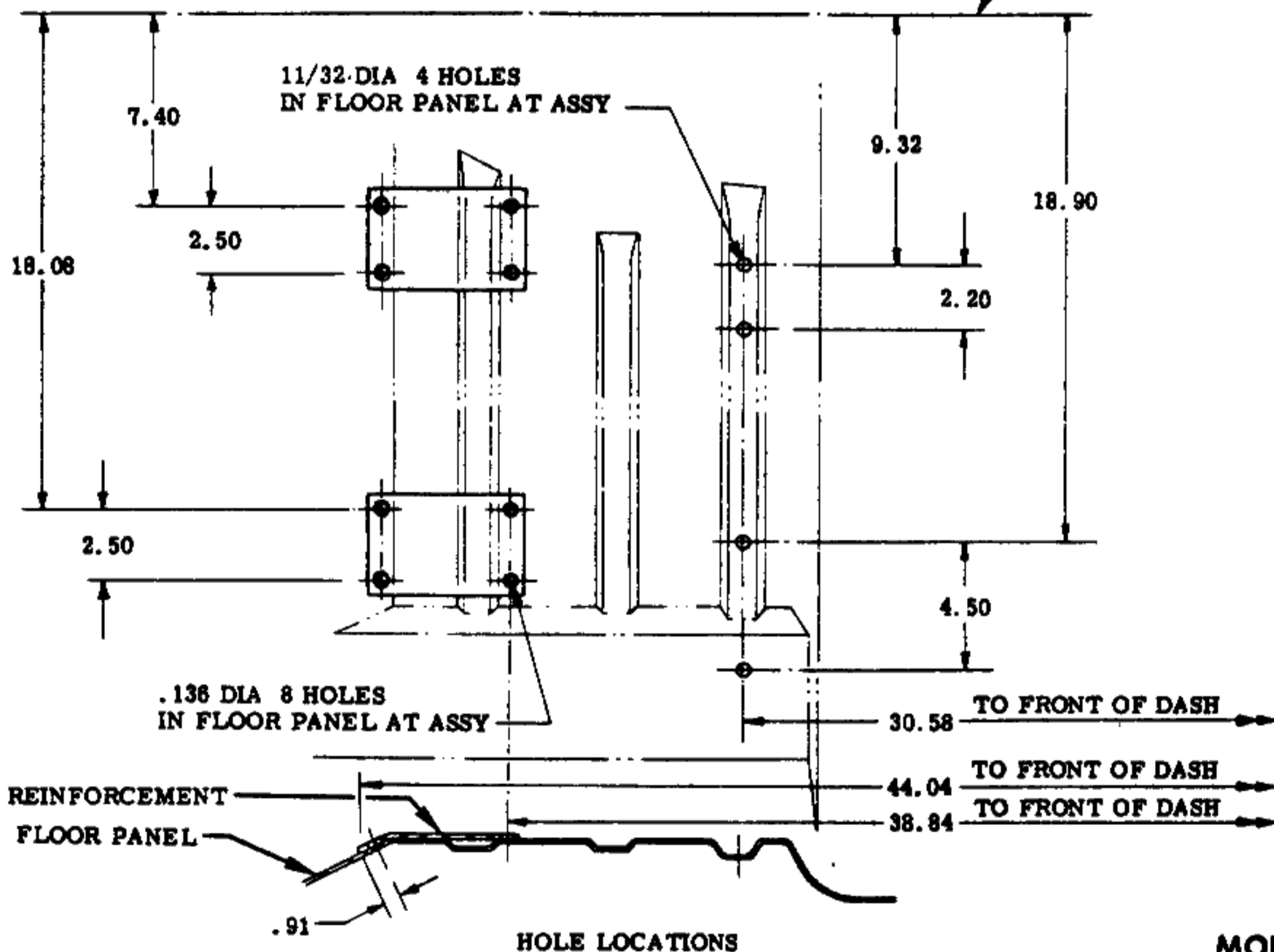
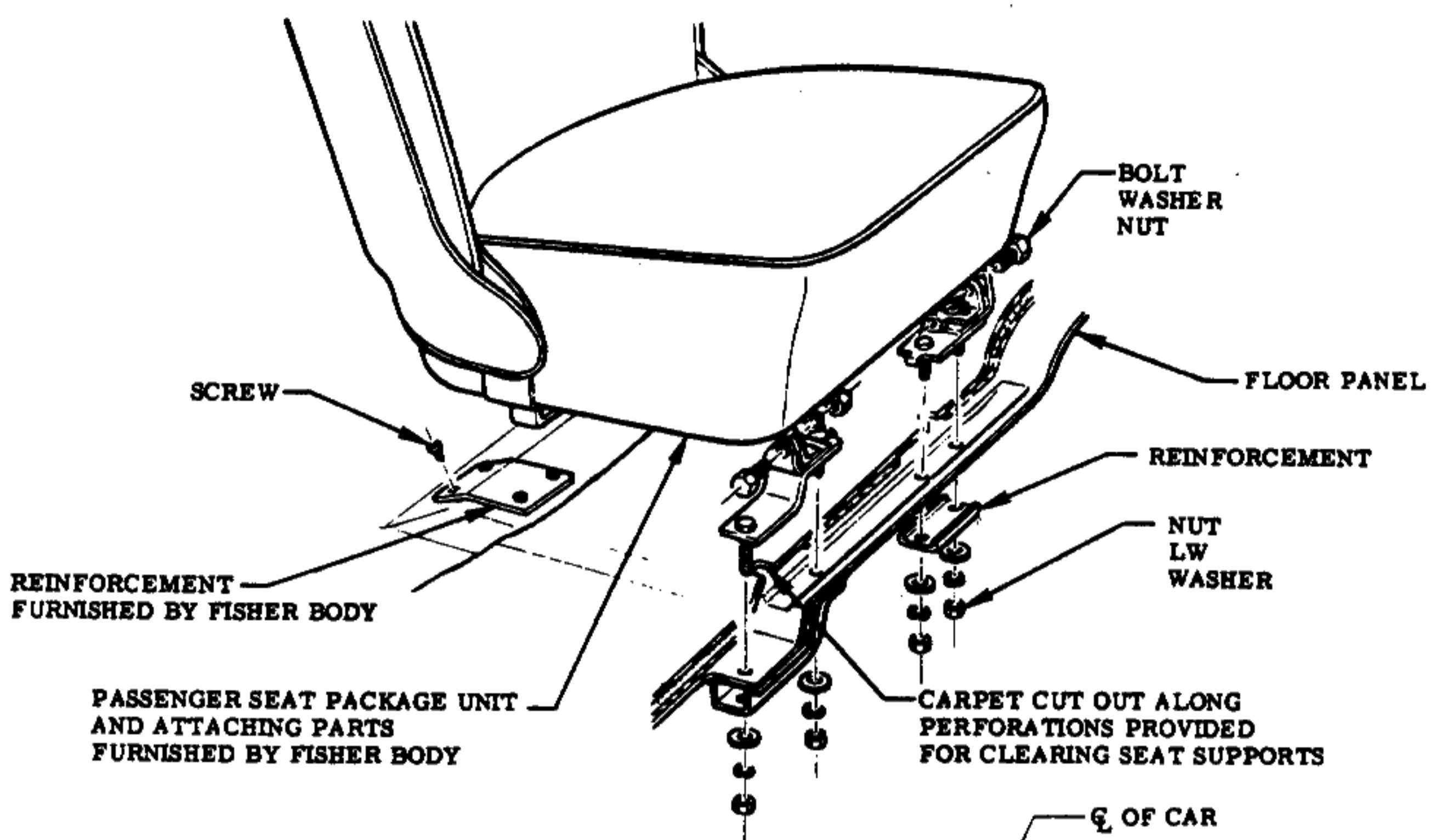
3718358 ADAPTOR

MODELS

ALL L. D.

R. P. O. - 221 V/8 ONLY

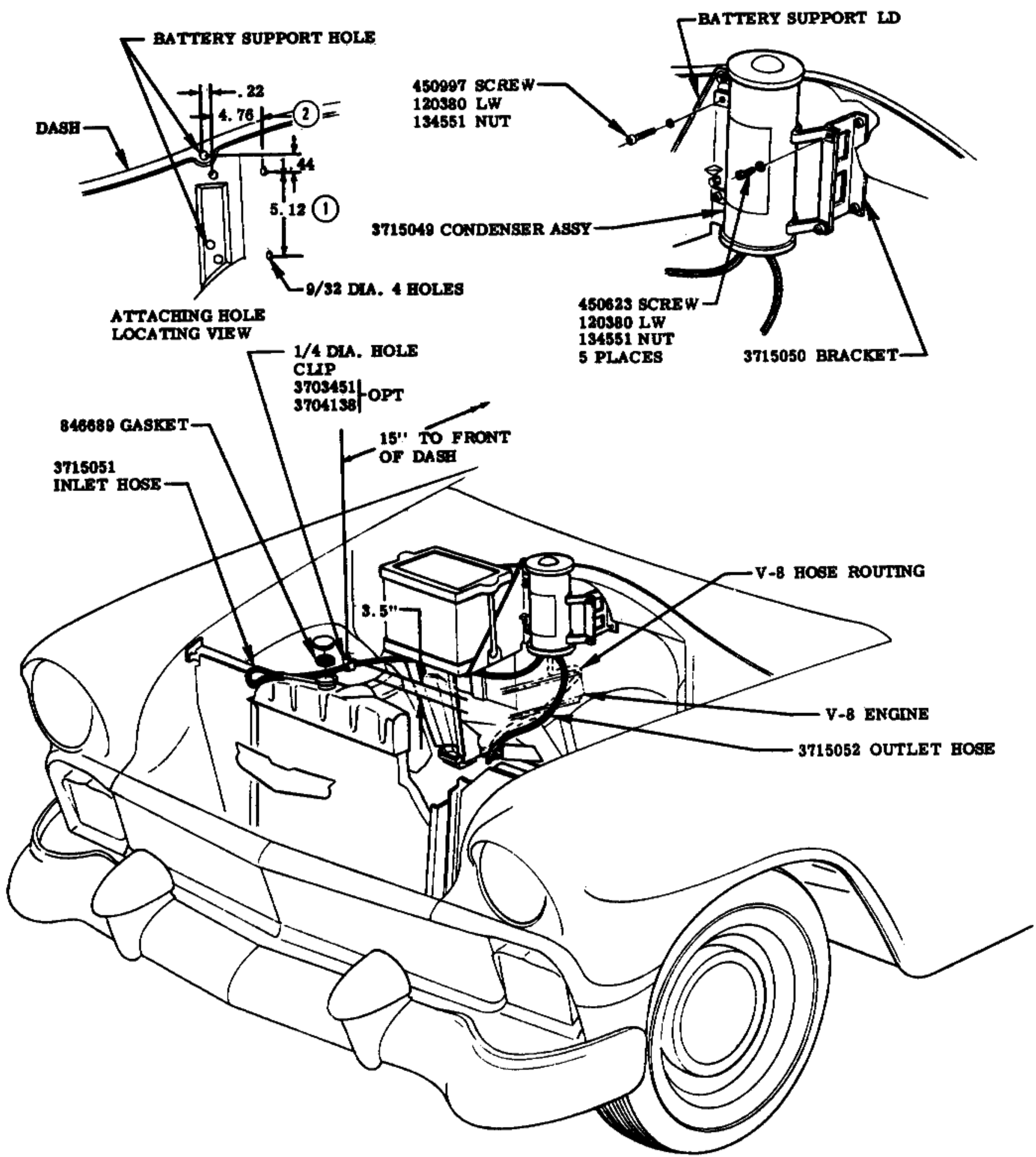
						NAME	PASSENGER CAR INSTRUCTION MANUAL			
						REF.	DRAWN	CHECKED	R.P.O.	SHEET
						ECR 2706	K. M.	F		
						DATE	PART No.		241	2.00
						11-14-55	3726600			
DATE	SYM.	REVISION RECORD	AUTH.	DR.	CK.					



AUXILIARY SEAT INSTRUCTION

MODELS
SEDAN DELIVERY

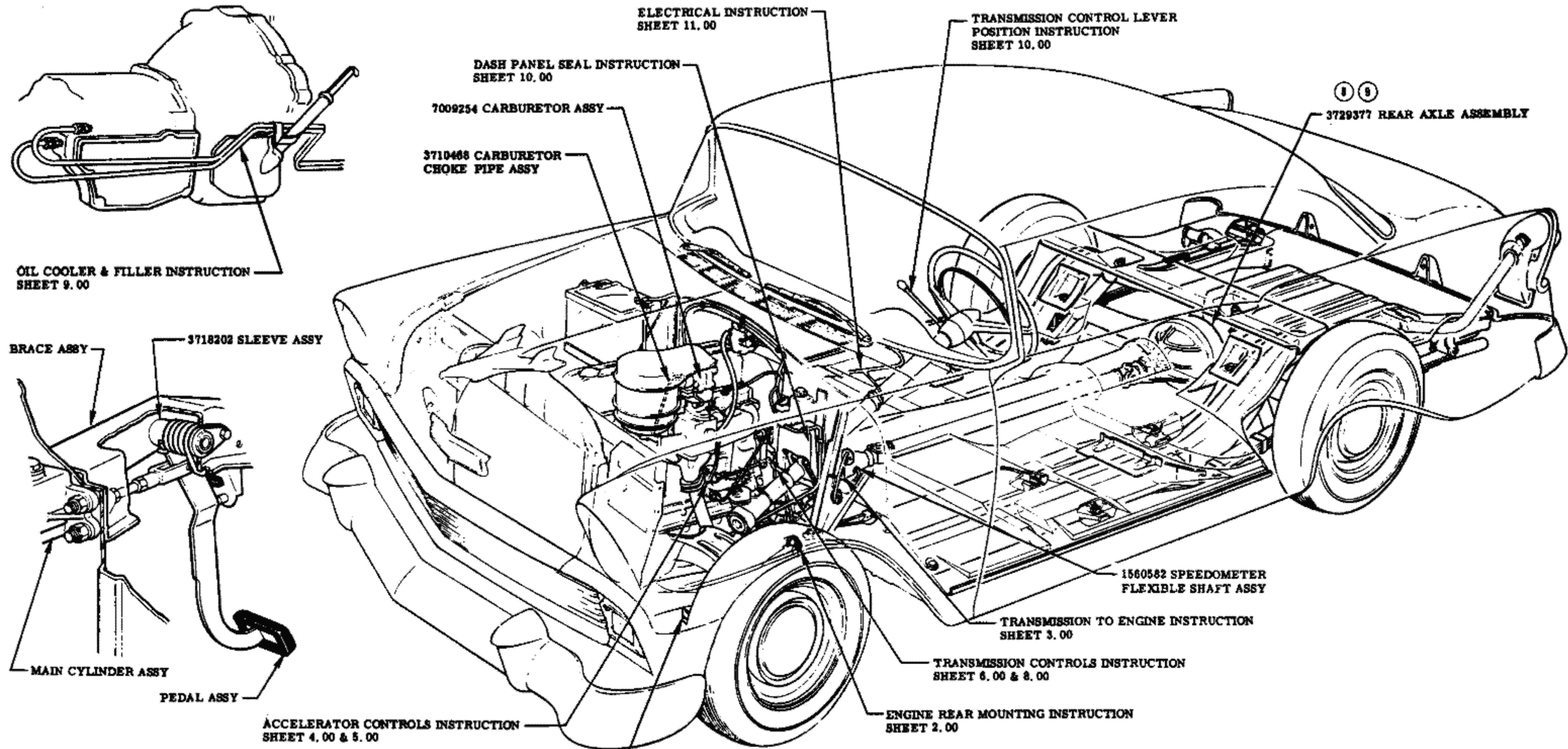
						NAME	PASSENGER CAR INSTRUCTION MANUAL			
						REF.	DRAWN	CHECKED	R. P. O.	SHEET
						DATE	PART No.		263	1.00
DATE	SYM.	REVISION RECORD	AUTH.	DR.	CK.	7-25-55	3726600			



RADIATOR OVERFLOW CONDENSER INSTRUCTION

MODELS ALL FOR EXPORT

				NAME PASSENGER CAR INSTRUCTION MANUAL				
				REF.	DRAWN	CHECKED	R. P. O.	SHEET
				F				
12-28-55	1	WAS 4.75 IN ERROR		DATE	PART No.	271 1.00		
DATE	SYM.	REVISION RECORD		AUTH.	DR.	CK.	7-25-55	3726600



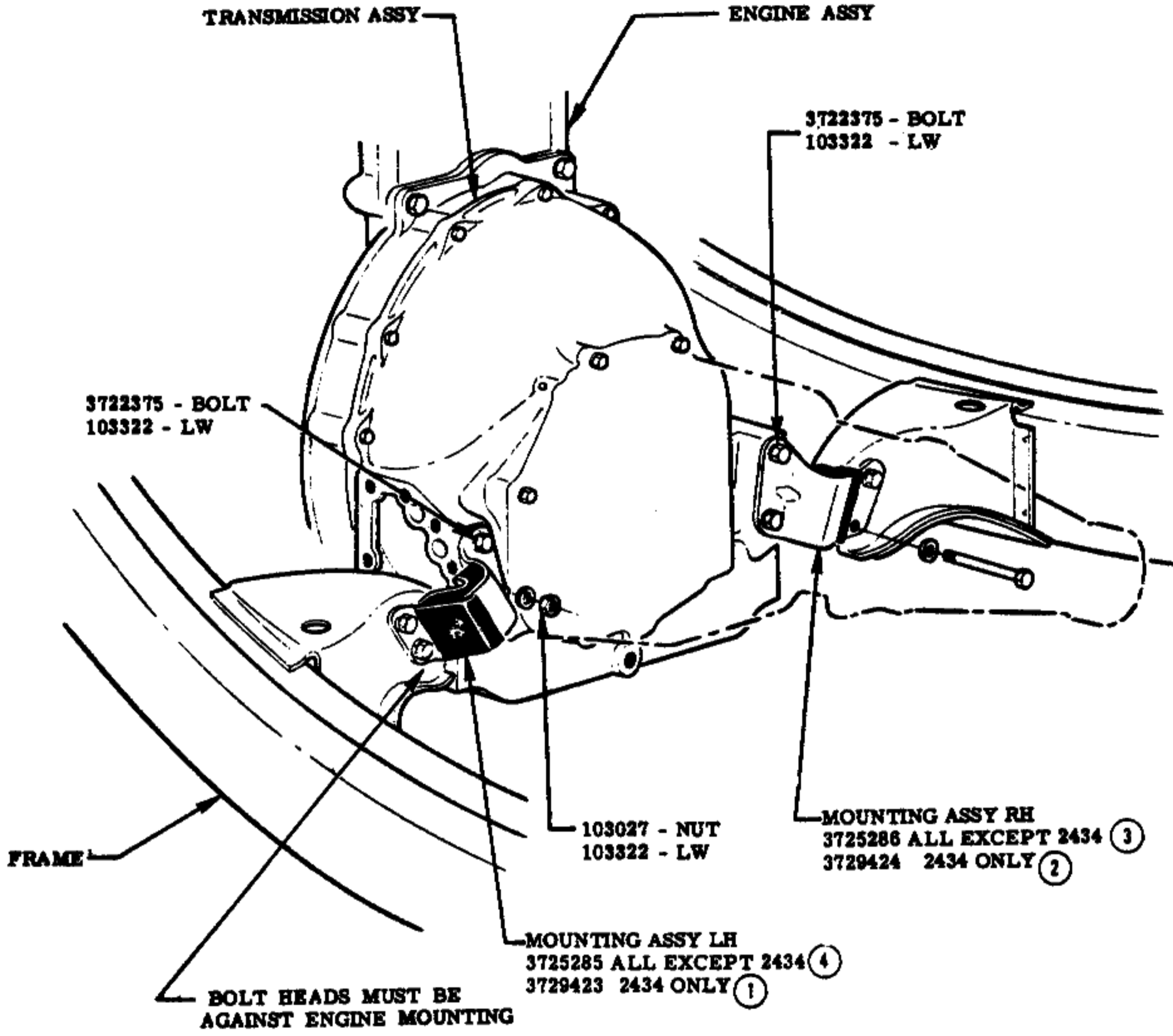
AUTOMATIC TRANSMISSION INSTRUCTION

FRONT SPRING

	1502-1503-1512
3723903	2102-2103-2113
	2124-2154-2402
	2403-2413-2454
3721372	1529-2109-2119
	2129-2419-2429
3721373	2434

MODELS ALL

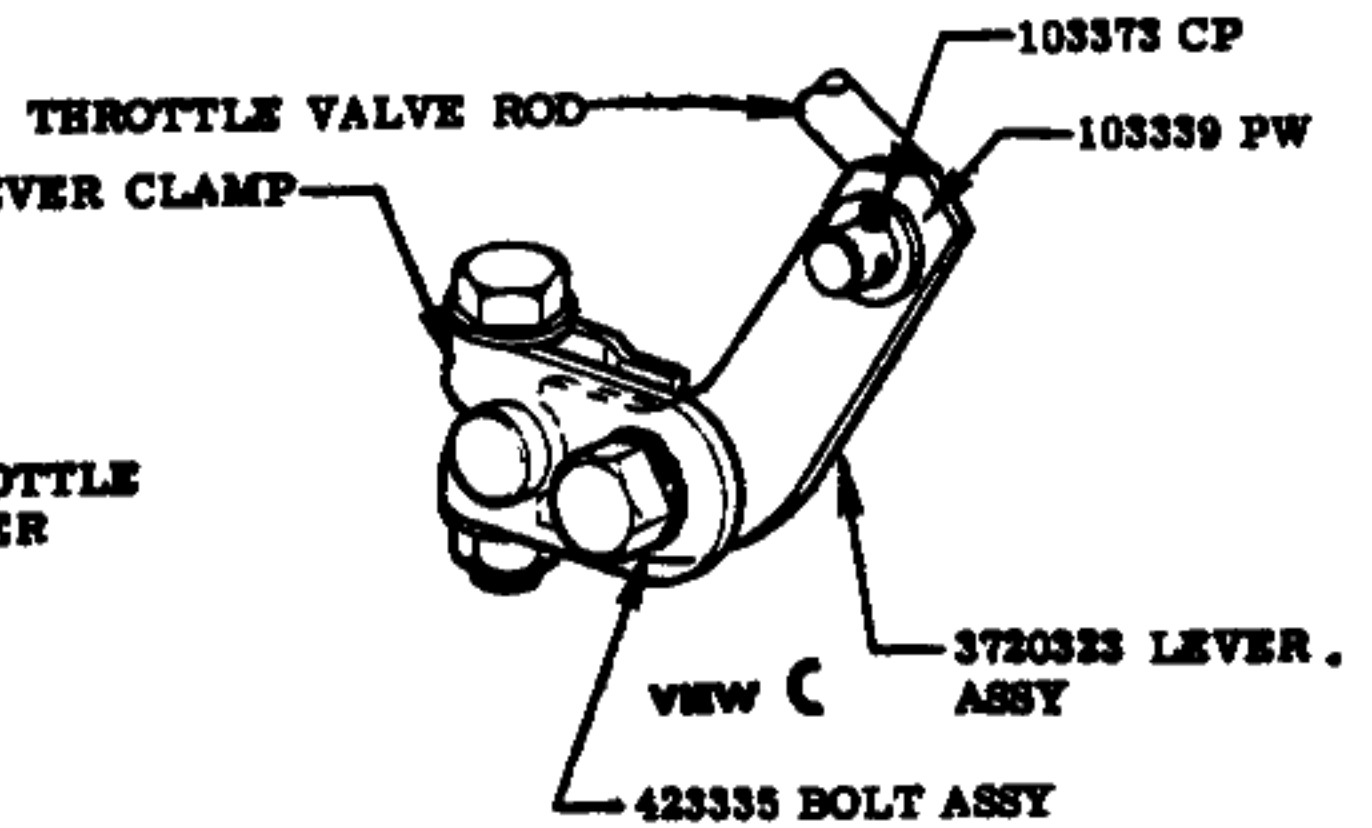
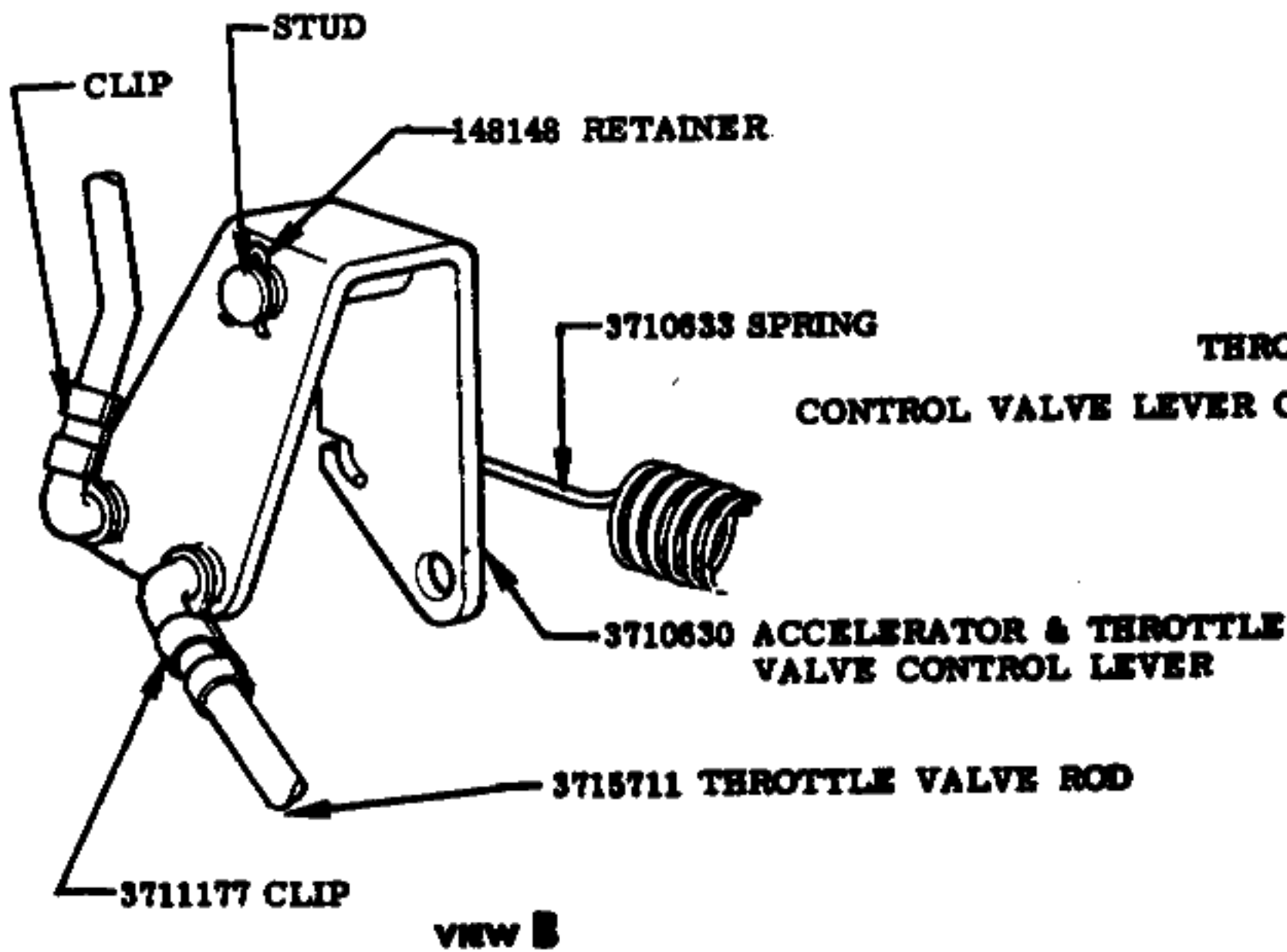
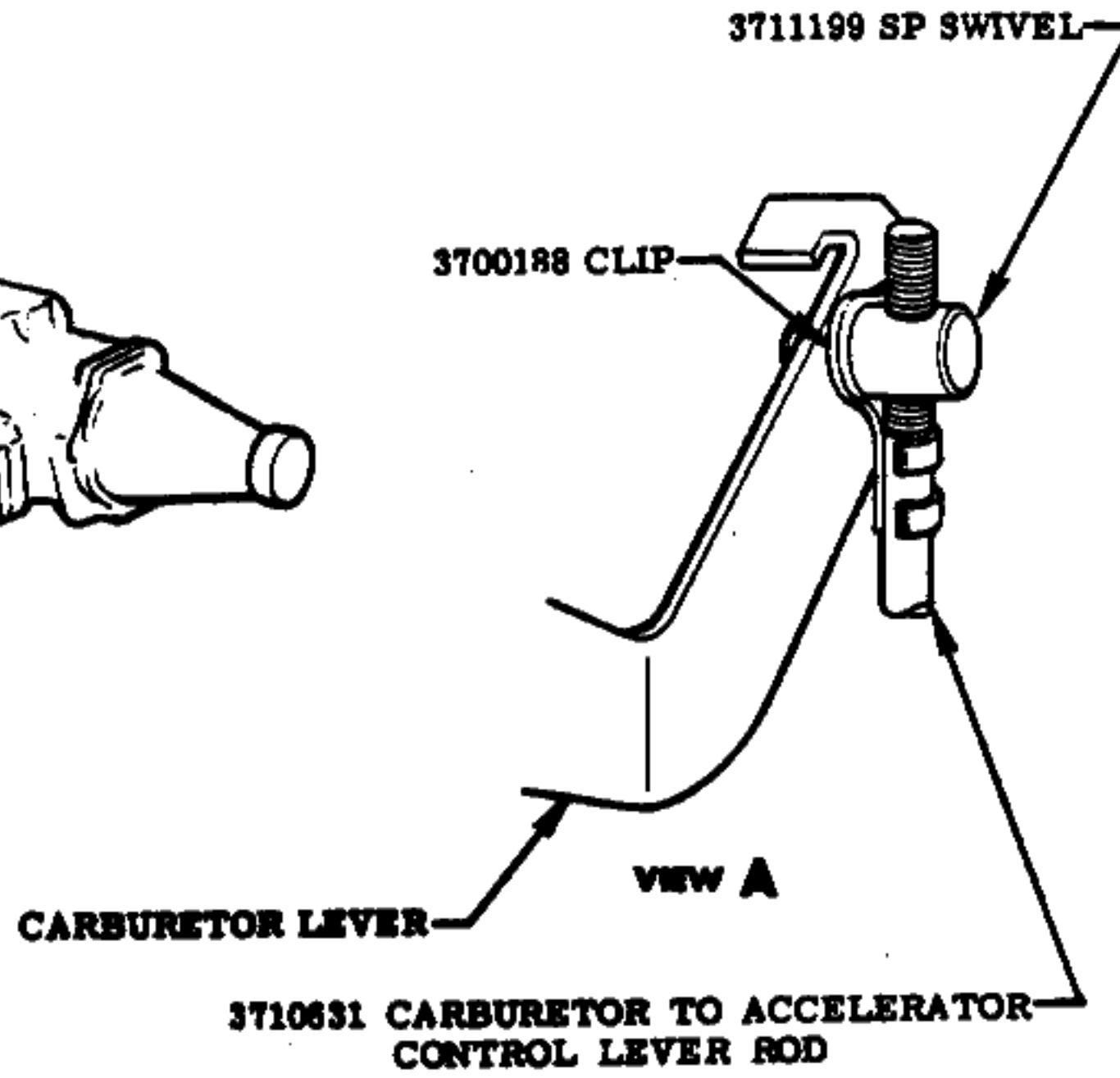
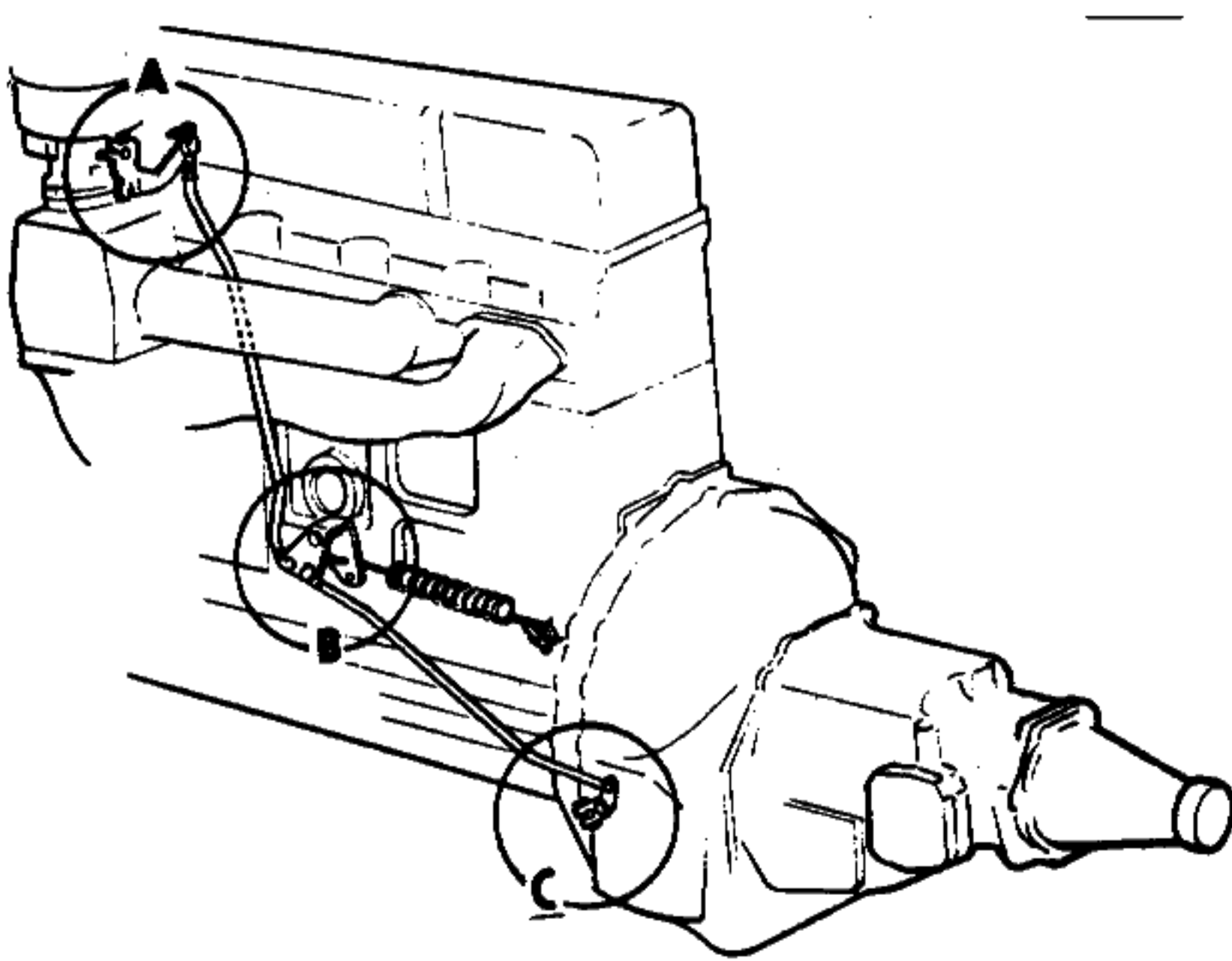
DATE	SYM.	REVISION RECORD	AUTH.	DR.	CK.	NAME	PASSENGER CAR INSTRUCTION MANUAL			
3-6-56	9	WAS 3733185	8080		F	REF.	DRAWN	CHECKED	R. P. O.	SHEET
	8	WAS 3729377	6198 & 5985		F	DATE	PART No.			
	7	NOTE REMOVED				7-25-56	3726600		313	1.00
2-2-56	8	REDRAWN	5129							



ENGINE REAR MOUNTING INSTRUCTION

**MODELS
ALL**

				NAME PASSENGER CAR INSTRUCTION MANUAL						
	4	"ALL EXCEPT 2434" ADDED			F	REF.	DRAWN	CHECKED F	R.P.O.	SHEET
	3	"ALL EXCEPT 2434" ADDED							313	2.00
	2	PART ADDED								
10-10-55	1	PART ADDED	3229			DATE 7-25-55	PART No. 3726600			
DATE	SYM.	REVISION RECORD	AUTH.	DR.	CK.					

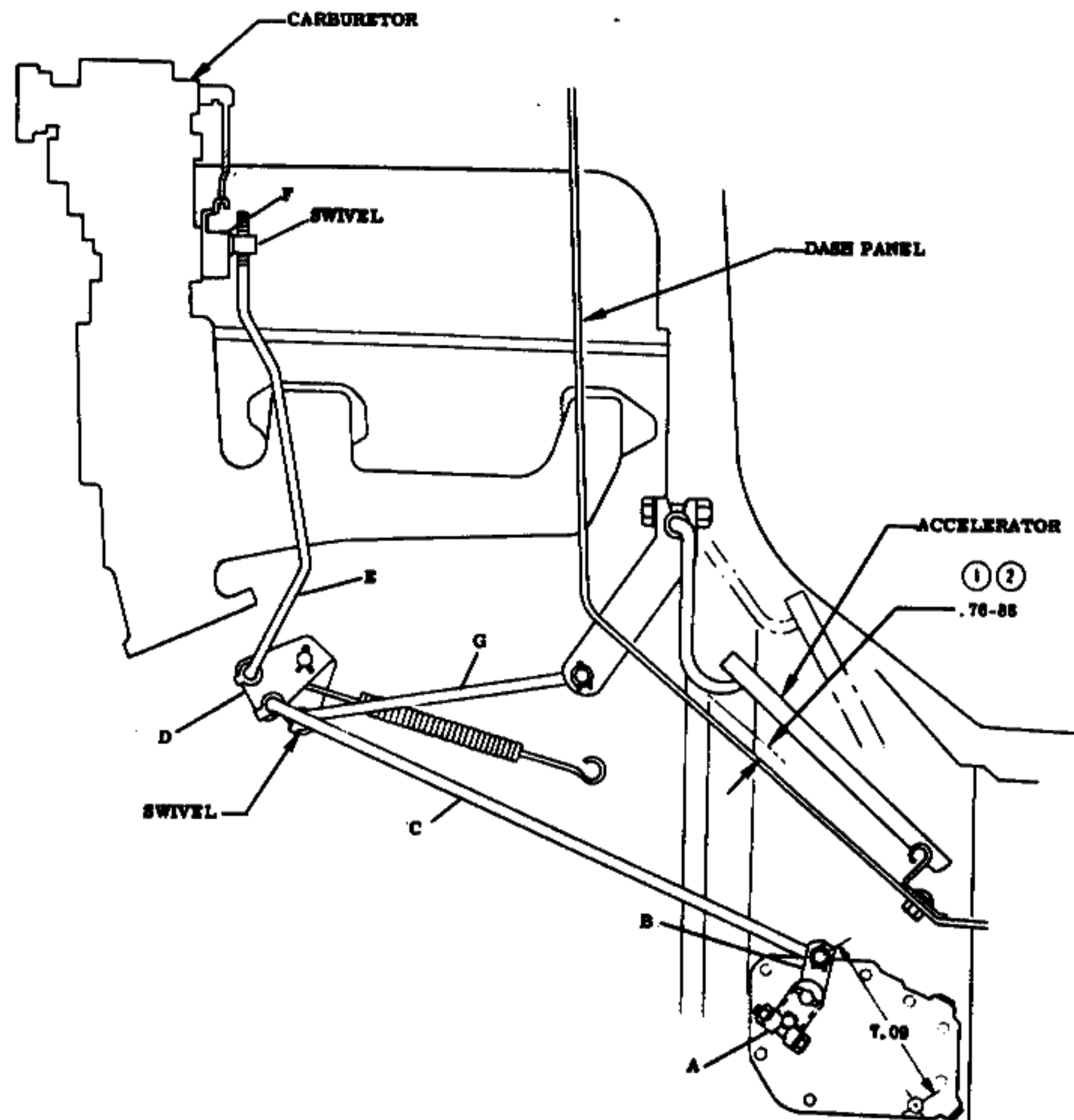


MODELS
ALL

ACCELERATOR CONTROLS INSTRUCTION

						NAME	PASSENGER CAR INSTRUCTION MANUAL			
						REF.	DRAWN	CHECKED	R. P. O.	SHEET
								F		
						DATE	PART No.		313	4.00
						7-25-55	3726600			
DATE	SYM.	REVISION RECORD	AUTH.	DR.	CL.					

1. LOOSELY ASSEMBLE LEVER (B) TO CLAMP (A).
2. INSERT GAUGE BETWEEN TRANSMISSION LEFT HAND SIDE COVER LOWER REAR BOLT AND HOLE IN LEVER (B) (7.09 DIMENSION BETWEEN BOLT AND HOLE CENTER-LINES). WITH GAUGE IN PLACE, AND HOLDING CLAMP (A) COUNTER CLOCKWISE IN FULL DETENT POSITION, TIGHTEN LEVER (B) TO CLAMP(A). REMOVE GAUGE.
3. INSTALL ROD (C).
4. INSTALL ROD (E) IN LEVER (D). PLACE LEVER (F) IN WIDE OPEN POSITION AND PULL ROD (E) UP UNTIL IT IS STOPPED BY TRANSMISSION INTERNAL STOP. ADJUST SWIVEL IN ROD (E) FOR FREE ENTRY IN LEVER (F).
5. CHECK ADJUSTMENT BY PLACING LINKAGE IN IDLE POSITION THEN RETURN TO WIDE OPEN POSITION BY ROTATING LEVER (F). PUSH UPWARD ON LEVER (B) AND NOTE IF ROD (C) DEFLECTS, MEANING TRANSMISSION IS NOT ON INTERNAL STOP. IF ROD DEFLECTS, OR LEVER (F) WILL NOT REACH WIDE OPEN POSITION, REPEAT ADJUSTMENT 4.
6. WITH ACCELERATOR PEDAL DEPRESSED PLACING LOWEST POINT ON ACCELERATOR ROD .76-.88 ABOVE TOE PANEL, AND LEVER (D) ROTATED TO WIDE OPEN POSITION, ADJUST SWIVEL IN ROD (G) FOR FREE ENTRY INTO LEVER (D) BEFORE FIXING SWIVEL TO LEVER (D).
7. CHECK ADJUSTMENT BY RELEASING THEN DEPRESSING ACCELERATOR PEDAL. CHECK LEVER (F) FOR WIDE OPEN POSITION. IF LEVER (F) WILL NOT REACH WIDE OPEN POSITION, REPEAT STEP 6.



MODELS
ALL

ACCELERATOR CONTROLS INSTRUCTION

DATE		SYMBOL	REVISION RECORD	AUTH.	DR.	CK.	NAME	PASSENGER CAR INSTRUCTION MANUAL		R.P.O.	SHEET
2-15-55	2	WAS 1.00		0020		F	REF.	DRAWN	CHECKED F		
10-10-55	1	WAS .88/.78				F	DATE	PART No.		313	5.00
							7-25-55	3726600			

①

3729479 STEERING GEAR JACKET ASSY

440402 SCREW ASSY

3711060 PLATE

103340 WASHER

103320 LW

114493 NUT

3712388 SLEEVE

GROMMET

3725298 CLAMP

3712384 SWIVEL

VIEW A

3715956 UPPER ROD

3710401 BUSHING

3715950 IDLER LEVER

3711052 SHIFTER TUBE ASSY

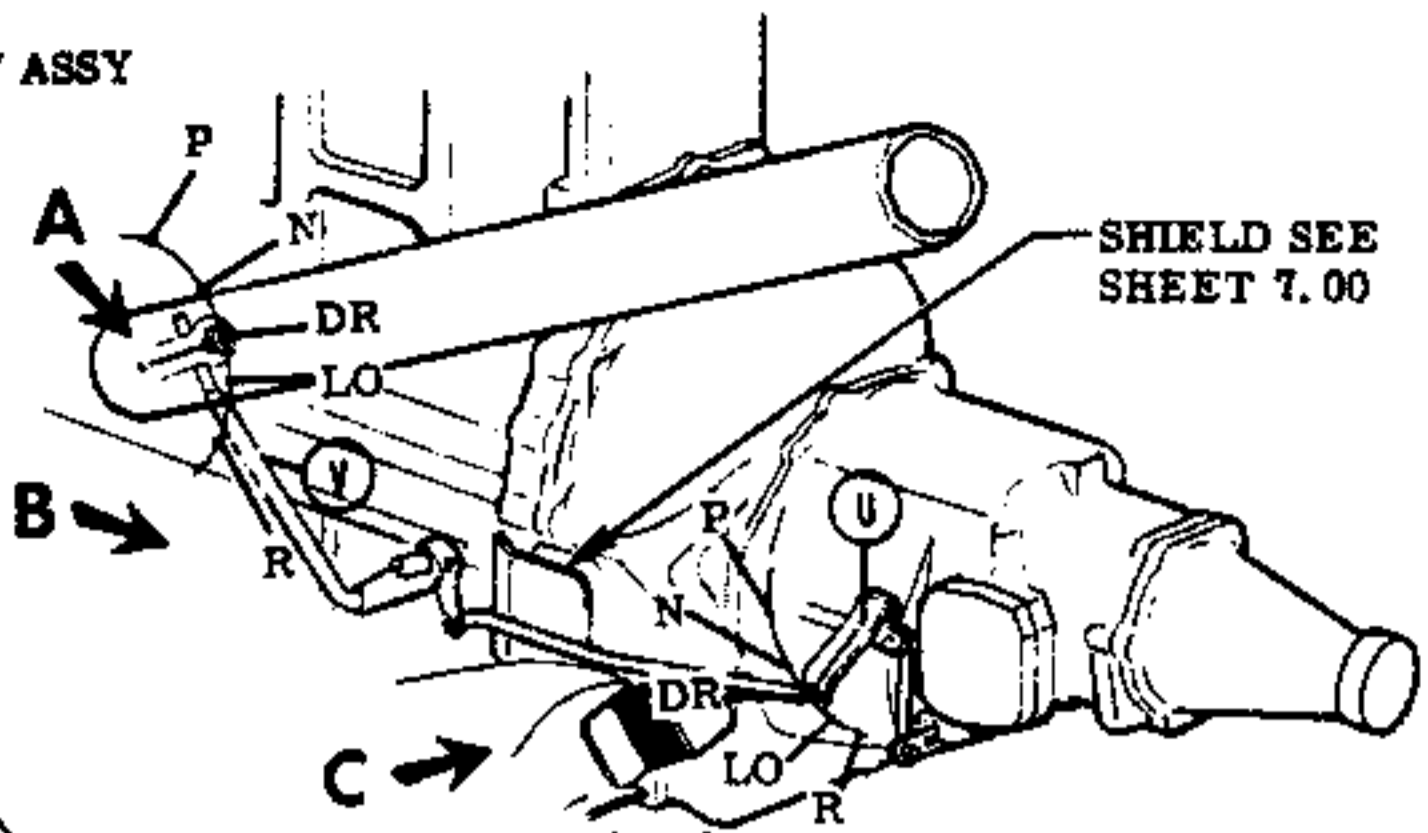
3685801 LOCK

3712389 CLIP

371704 SPRING
103340 WASHER
103373 CP

IDLER LEVER BRACKET

VIEW B



SHIELD SEE SHEET 7.00

TRANSMISSION GEARSHIFT CONTROL ADJUSTMENT

1. SET CONTROL ROD BELL CRANK (U) IN PARK POSITION.
2. SET CONTROL SHAFT LEVER (S) IN PARK POSITION.
3. WITH BOTH BELL CRANK & LEVER HELD IN PARK POSITION, ASSEMBLE CONTROL ROD (V) & TIGHTEN SWIVEL CLAMP ON ROD.

3716989 SPRING

3729478 ADJUSTING RING

②

3689974 STUD

120382 LW

371704 SPRING
103340 WASHER
103373 CP

3689972 ROD

③ 3710487 BELL CRANK

④ 3735136 LOWER ROD

3715097 GROMMET

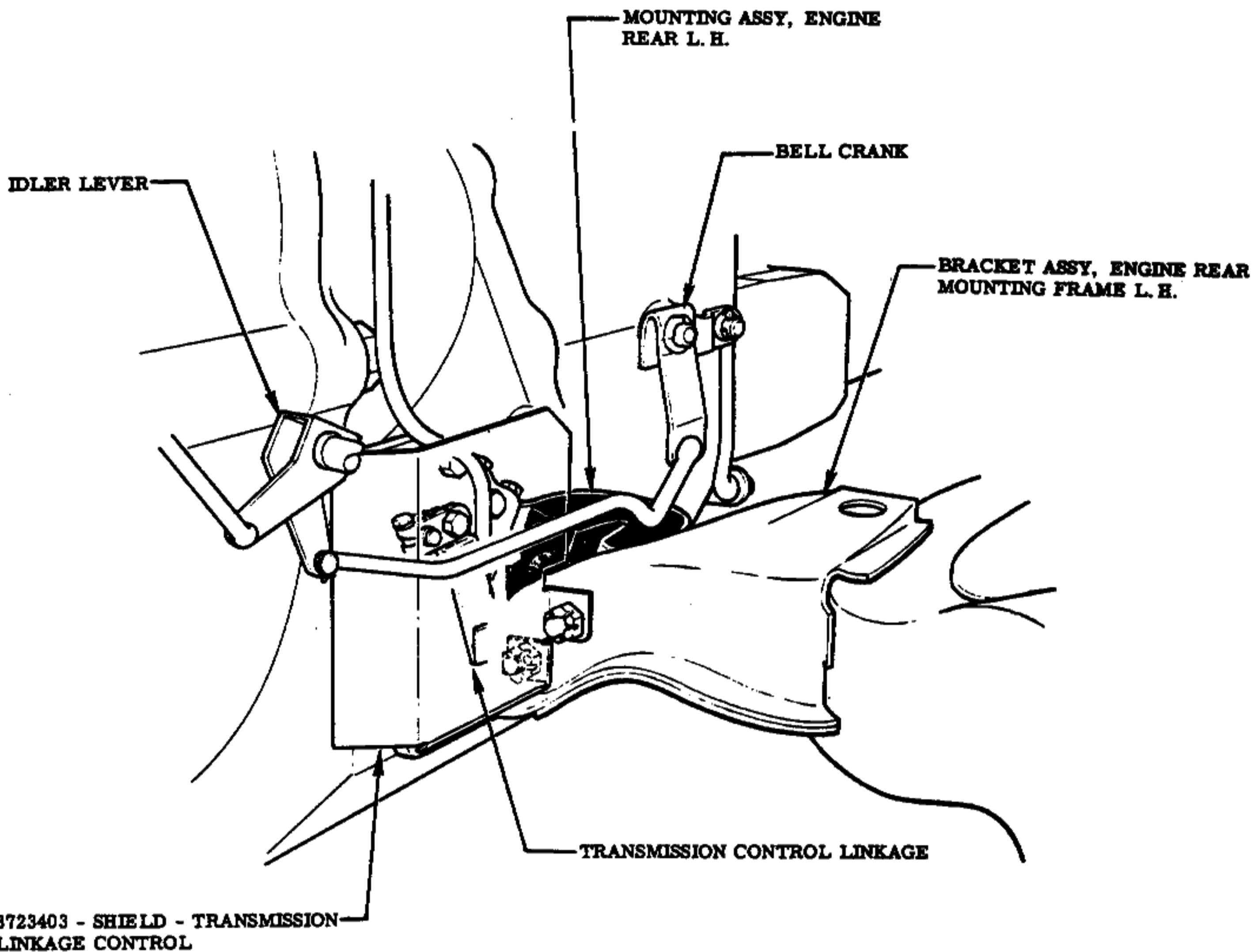
VIEW C

MODELS ALL

SEE LUBRICATION INSTRUCTION

TRANSMISSION CONTROLS INSTRUCTION

REVISION RECORD					PASSENGER CAR INSTRUCTION MANUAL				
DATE	SYM.	REVISION RECORD	AUTH.	DR.	CK.	DATE	PART No.	R. P. O.	SHEET
2-15-56	4	WAS 3715957	7658		F	7-25-55	3726600		
	3	WAS 3710497			F				
	2	WAS 3716988							
10-10-55	1	WAS 3711062	2519					313	6.00



MODELS
ALL

① (WITH RPO 221)

TRANSMISSION CONTROLS INSTRUCTION

					NAME	PASSENGER CAR INSTRUCTION MANUAL				
					REF.	DRAWN	CHECKED	F	R.P.O.	SHEET
10-10-55	1	NOTE ADDED	2847	F	DATE	PART No.			313	7.00
DATE	SYM.	REVISION RECORD	AUTH.	DR.	CK.	7-25-55	3726600			

1-INSTALL INDICATOR ROD CLIP (TT) ON SHIFTER TUBE AND LEVER ASSEMBLY (A) BOTTOM SIDE WITH ENDS OF CLIP (TT) INSERTED IN HOLES (UU) IN TUBE (A).

2-INSERT SHIFTER TUBE AND LEVER ASSEMBLY (A) IN MAST JACKET (B) FROM BOTTOM END OF JACKET (B). LUBRIPLATE BOTH ENDS OF TUBE (A).

3-INSTALL RETURN SPRING (C) AROUND LEVER EXTENSION (D) ON SHIFTER TUBE (A).

4-PLACE ADJUSTING RING (E) AND LINE UP HOLES WITH HOLES IN MAST JACKET (B) INSERT SCREWS (F) AND TIGHTEN.

5-INSTALL SEAL (SS) WITH CONVEX SIDE UP ON MAST JACKET (B) ABOUT 1 INCHES FROM TOP OF JACKET (B).

6-REVERSE JACKET (B) AND, WORKING FROM TOP END, INSTALL TANGED WASHER (G), RESTING IT ON THREE TABS (H) PROTRUDING INWARD AND KEYED IN SLOT (J) PROVIDED IN MAST JACKET (B). INSTALL LEVER SUPPORT HOUSING (K) AFTER LUBRIPLATING ITS INNER DIAMETER.

7-CHECK THE DISTANCE FROM THE TOP OF THE MAST JACKET (B) TO THE TOP OF THE LEVER HOUSING (K), THIS DIMENSION WILL BE IN ONE OF THE FOLLOWING RANGES.

RANGE	WASHER IDENTIFICATION
.533 - .535	4 NOTCHES
.536 - .539	3 NOTCHES
.540 - .543	2 NOTCHES
.544 - .548	1 NOTCH

NOTE THE RANGE AND USE THE WASHER (M) DESIGNATED BETWEEN THE LEVER HOUSING (K) AND DIRECTIONAL SIGNAL HOUSING (N)

8-INSTALL THE LOCKING PLATE (P) IN THE BAYONET SLOTS (Q) PROVIDED IN THE MAST JACKET (B).

9-INSTALL THE DIRECTIONAL SIGNAL HOUSING (N) AND FASTEN WITH THREE SCREWS (R). NOTE CAREFULLY IN THIS STEP THAT THE KEY (S) IN THE HOUSING (N) IS LOCATED PROPERLY IN THE MAST JACKET KEYWAY (T).

10-PLACE ANTI-RATTLE SPRING (U) ON INNER TIP (V) OF THE SHIFTER LEVER (W) AND INSTALL LEVER (W) IN HOUSING (K) AND SECURE WITH PIN (X).

11- FEED WIRES (Y) INTO JACKET (B) AND SECURE THEM WHERE THEY EMERGE WITH CLIP (Z).

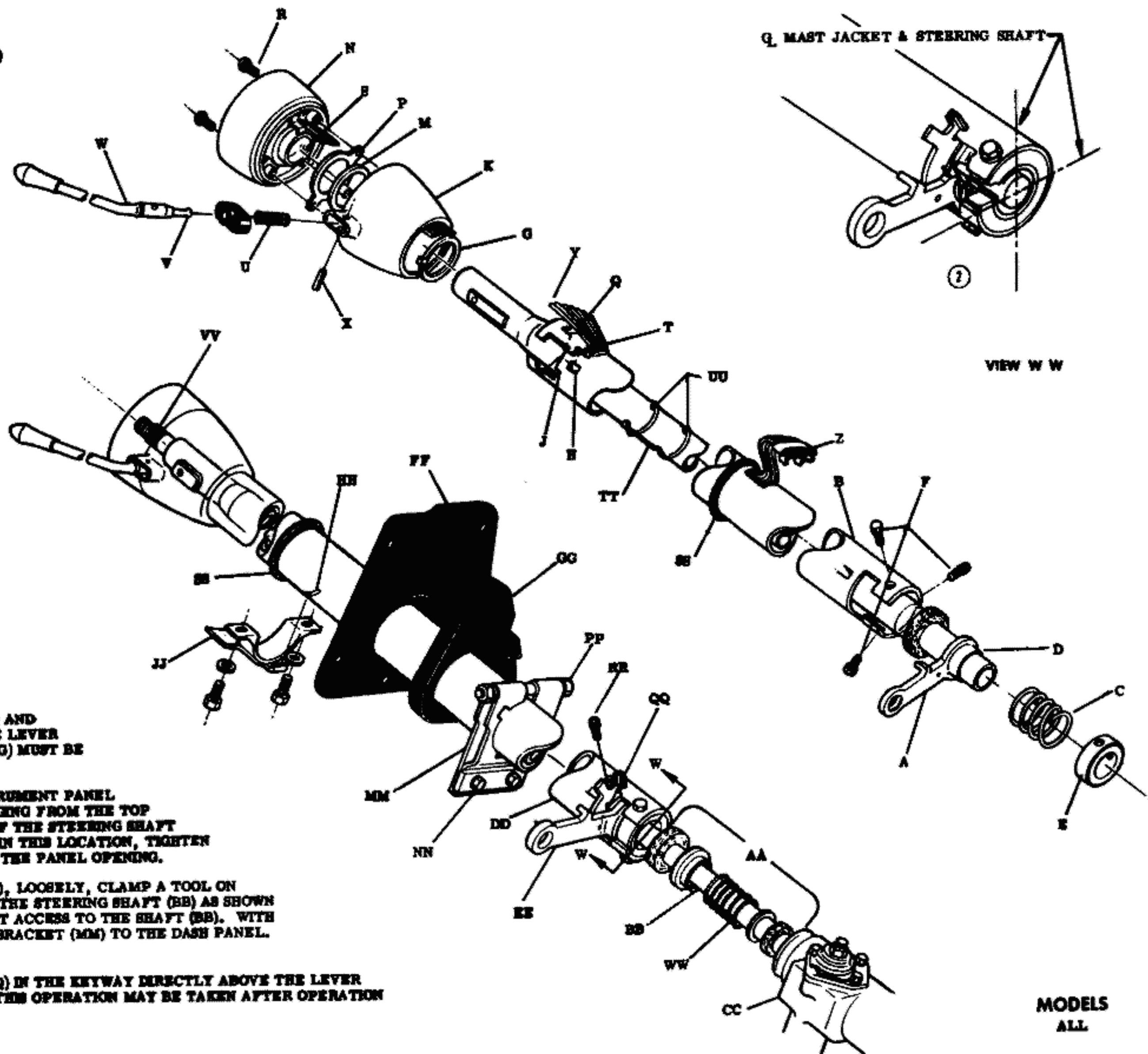
12-ASSEMBLE STEERING GEAR SEAL (AA) ON THE STEERING SHAFT (BB) AS SHOWN

13-SLIP THE ASSEMBLY OF THE MAST JACKET (DD) OVER THE STEERING SHAFT (BB) AND FEED IT DOWNWARD, ROTATING AS REQUIRED TO PROVIDE CLEARANCE FOR THE LEVER (EE) AND OTHER PROJECTIONS. THE RUBBER TRIM PAD (FF) AND ITS GASKET (GG) MUST BE FED OVER THE LEVER (EE) BEFORE ENTERING THROUGH THE DASH PANEL.

14-LOCATE THE KEYWAY (HH) ON THE MAST JACKET (DD) TO THE KEY ON THE INSTRUMENT PANEL ATTACHING BRACKET (JJ). LOCATE THE HEIGHT OF THE ASSEMBLY (DD) BY GAGING FROM THE TOP OUTER SURFACE OF THE DIRECTIONAL SIGNAL HOUSING (N) TO THE TOP EDGE OF THE STEERING SHAFT SPLINE (VV). THIS DIMENSION MUST BE 1.015 INCHES. WITH THE ASSEMBLY (DD) IN THIS LOCATION, TIGHTEN THE INSTRUMENT PANEL ATTACHING BRACKET (JJ) IN PLACE, CENTERING IT IN THE PANEL OPENING.

15-INSTALL THE DASH PANEL ATTACHING BRACKET (MM) ON THE JACKET ASSY (DD), LOOSELY, CLAMP A TOOL ON THE OUTER PORTION OF THE JACKET ASSY (DD) WHICH WILL LOCATE IT ABOUT THE STEERING SHAFT (BB) AS SHOWN IN VIEW W-W. THIS CAN BE DONE BY COMpressing THE SPRING (WW) TO PERMIT ACCESS TO THE SHAFT (BB). WITH THIS TOOL IN PLACE TIGHTEN THE TWO LOWER SCREWS (NN) WHICH HOLD THE BRACKET (MM) TO THE DASH PANEL. INSTALL AND TIGHTEN THE LOCK SCREW (PP) IN BRACKET (MM).

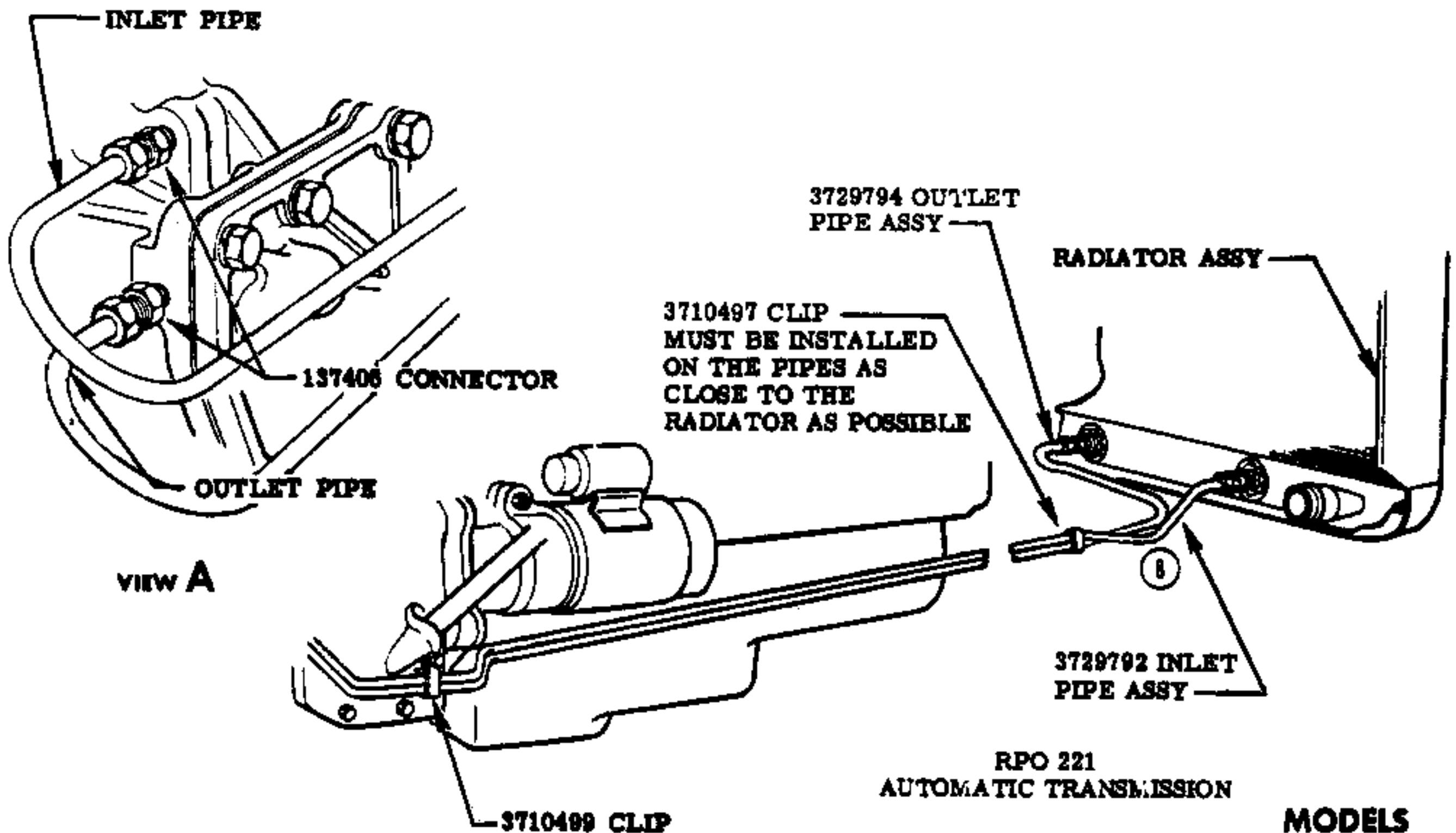
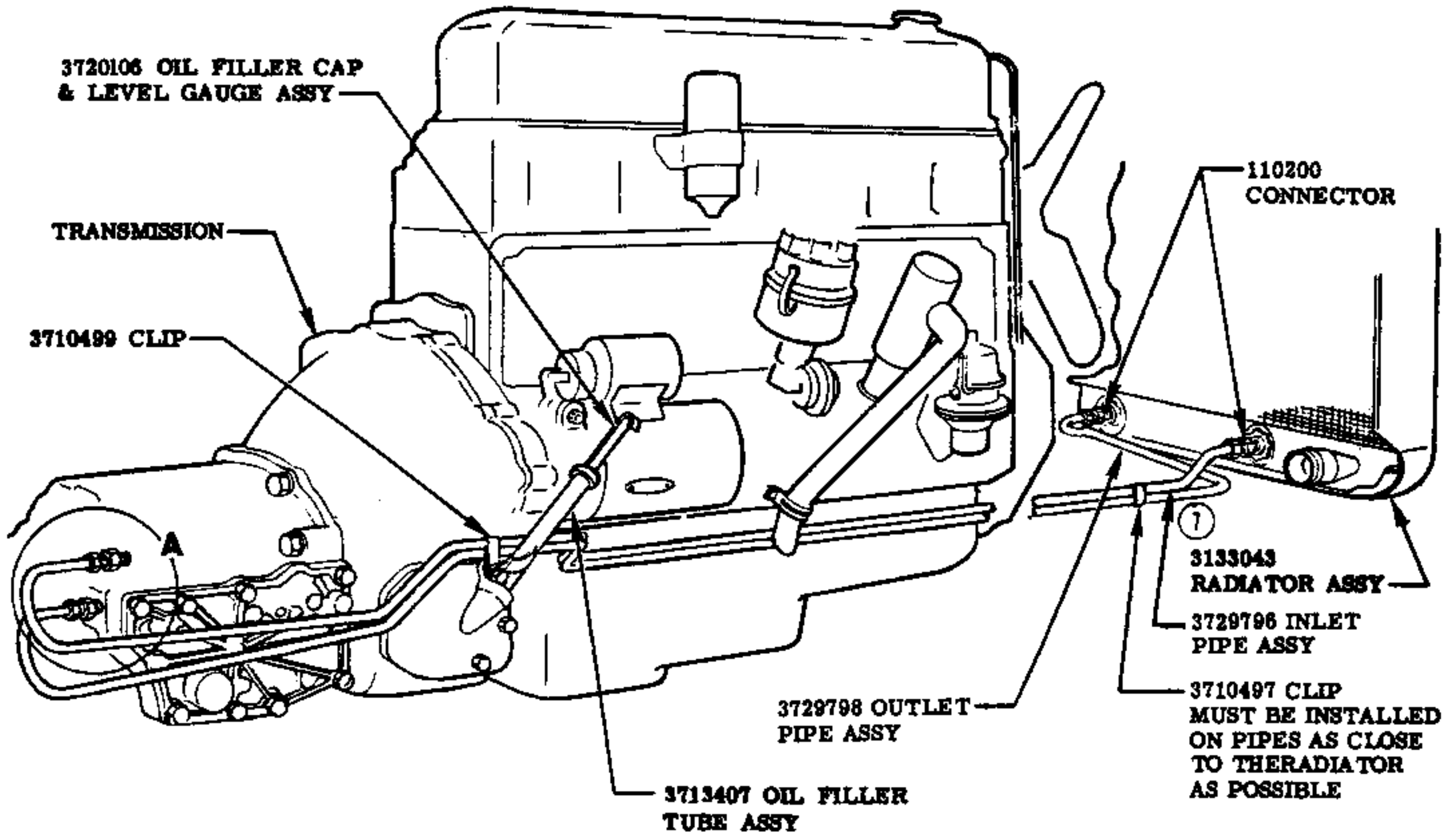
16-PULL THE LOWER LEVER (EE) DOWN AND INSERT THE SELECTOR PLATE KEY (QQ) IN THE KEYWAY DIRECTLY ABOVE THE LEVER OPENING. INSTALL AND TIGHTEN THE TWO SCREWS (RR) HOLDING THIS PART. THIS OPERATION MAY BE TAKEN AFTER OPERATION 11 IF DESIRED.



MODELS
ALL

TRANSMISSION CONTROL INSTRUCTION

PASSENGER CAR INSTRUCTION MANUAL										
DATE	SYM.	REVISION-RECORD	AUTH.	DR.	CL.	NAME	DRAWN	CHECKED	R.P.O.	SHEET
1-30-55	3	"CLIP" WAS "CLAMP"	5643	V	F	REF.				
11-21-55	3	.036 .078 DIM'S REMOVED	5610		F					
9-23-55	1	1.015 WAS 1.078	2517		F	DATE	PART No.			
						7-25-55	3726400			313 8.00

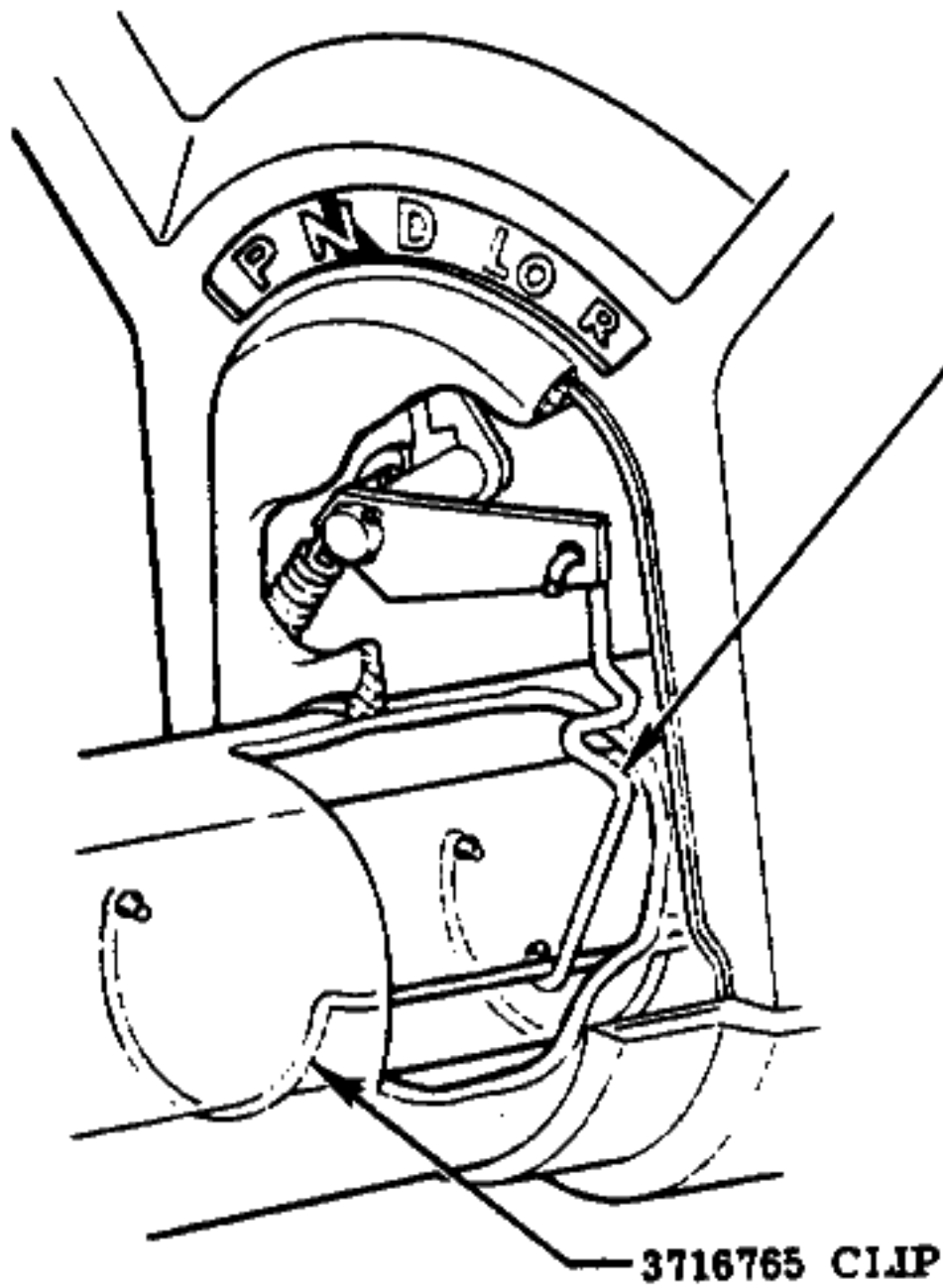
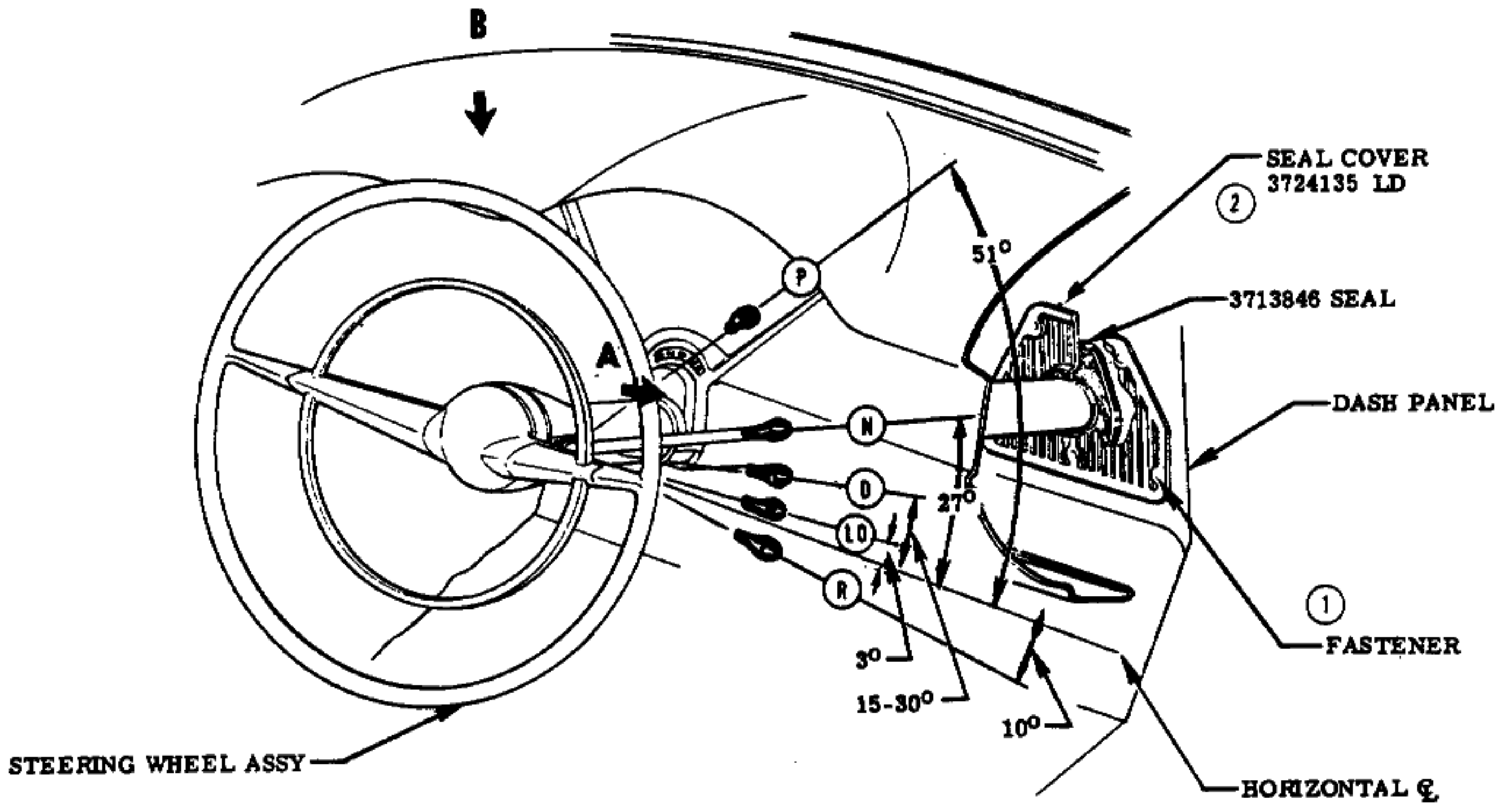


SEE LUBRICATION INSTRUCTION
OIL COOLER & FILLER INSTRUCTION

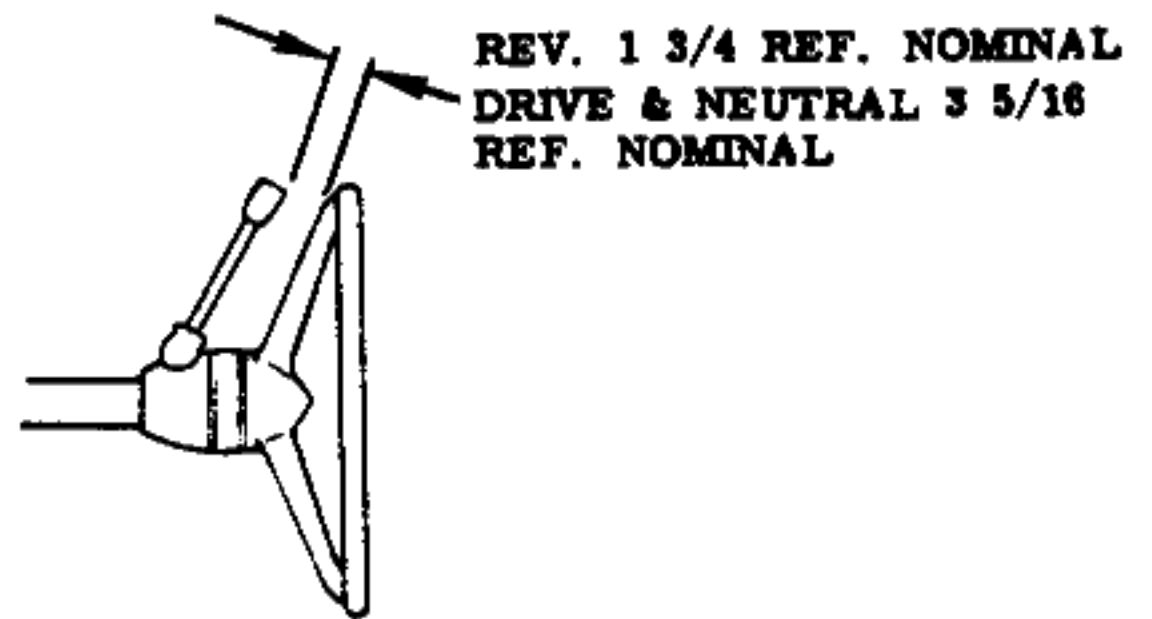
RPO 221
AUTOMATIC TRANSMISSION

MODELS
ALL

	8	ROUTING OF PIPES CLARIFIED				F	NAME PASSENGER CAR INSTRUCTION MANUAL					
	7	ARROW RELOCATED					REF.	DRAWN	CHECKED	F	R.P.O.	SHEET
3-20-56	8	REDRAWN					DATE	PART No.			313	9.00
DATE	SYM.	REVISION RECORD	AUTH.	DR.	CK.		7-25-55	3726600				



VIEW A

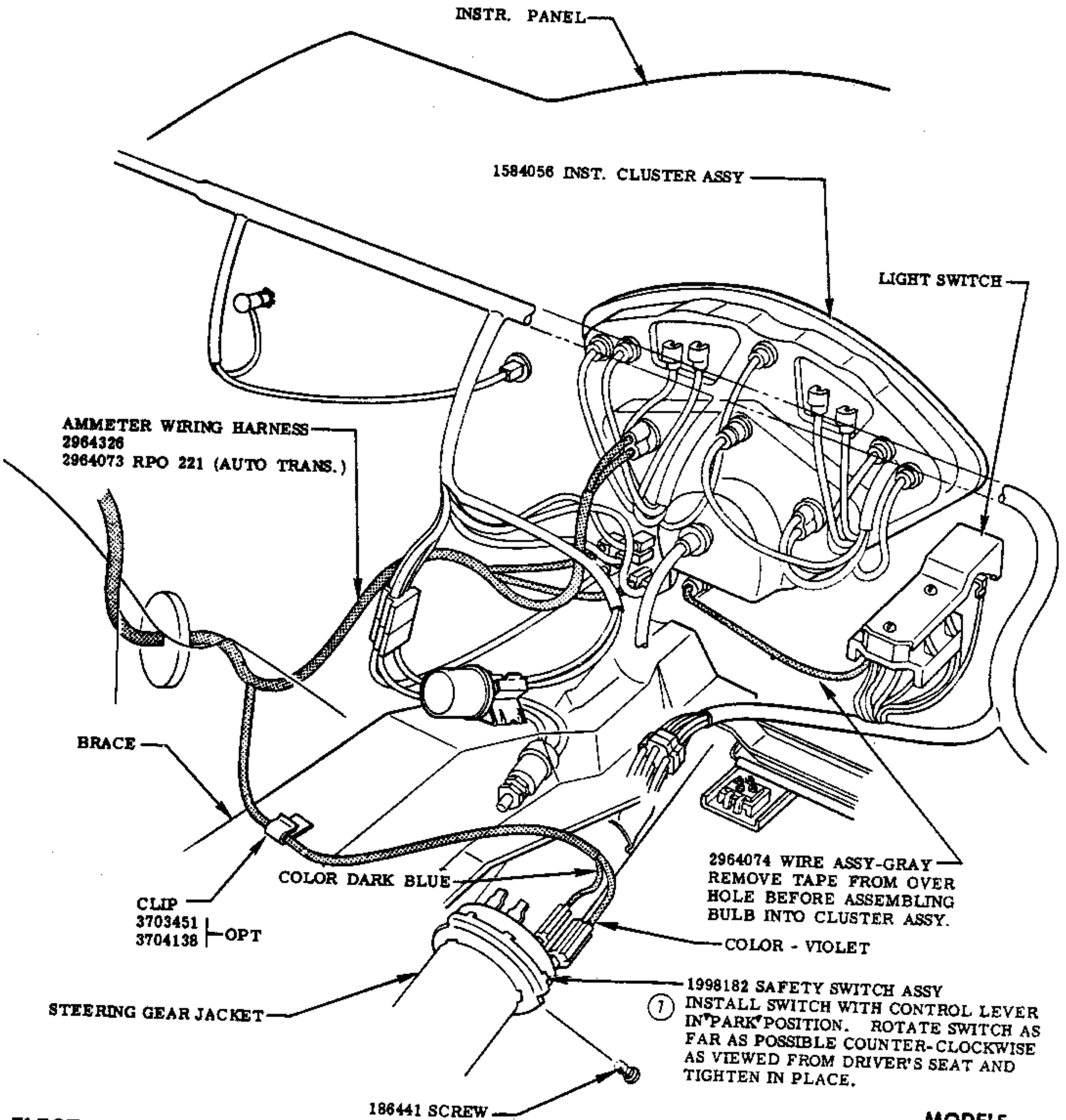


VIEW B

MODELS
ALL

TRANSMISSION CONTROL INSTRUCTION

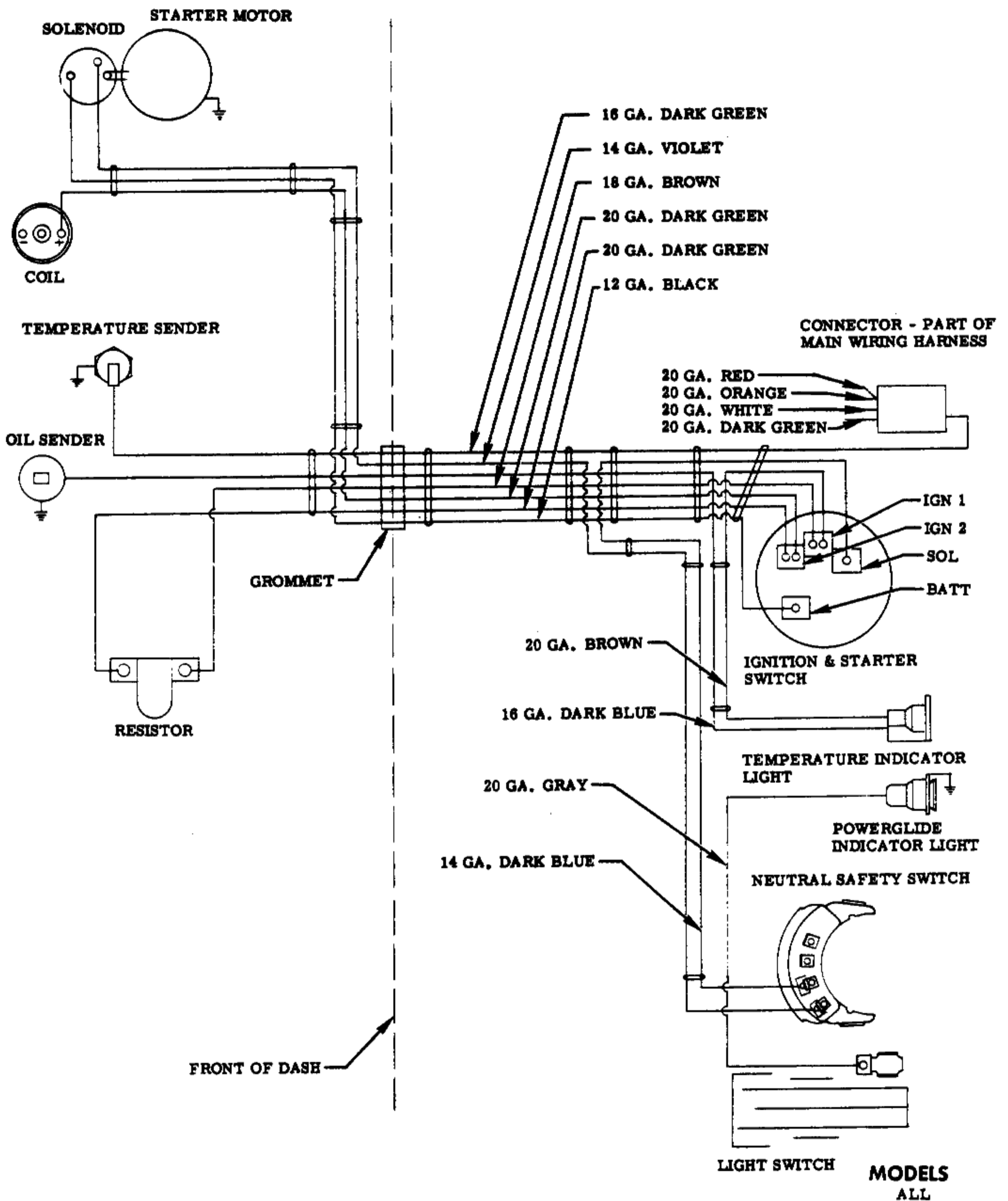
				NAME PASSENGER CAR INSTRUCTION MANUAL				
				REF.	DRAWN	CHECKED F	R.P.O.	SHEET
						313		10.00
10-10-55	2	WAS 3713847 - LD						
	1	NO. 3724982 REMOVED						
DATE	SYM.	REVISION RECORD	AUTH.	DR.	CK.	DATE	PART No.	
						7-25-55	3726600	



ELECTRICAL INSTRUCTION

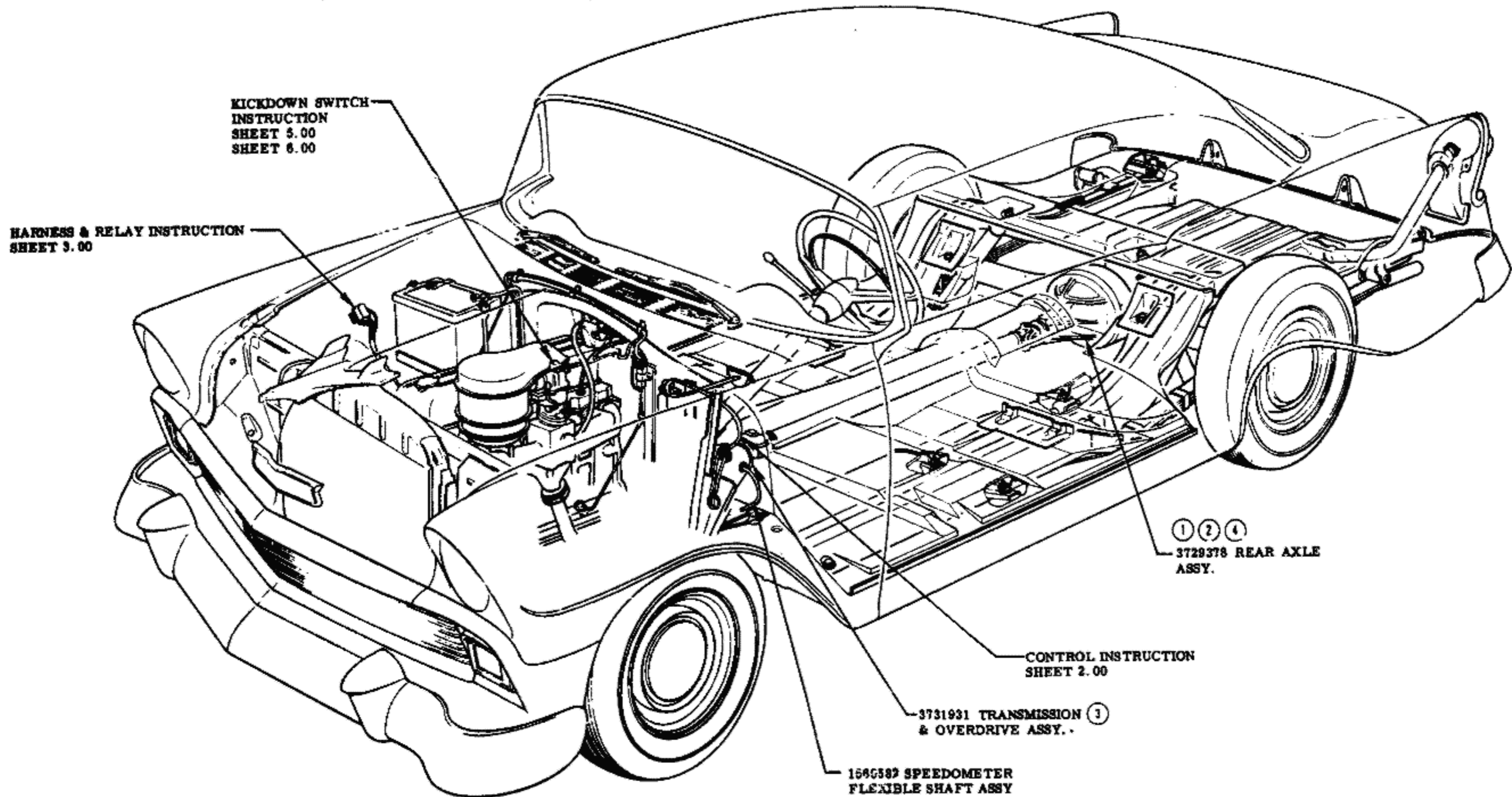
**MODELS
ALL**

				NAME PASSENGER CAR INSTRUCTION MANUAL				
				REF.	DRAWN	CHECKED	R.P.O.	SHEET
3-1-58	7	NOTE REVISED				F		
	6	REDRAWN	1227	V	F			
DATE	SYM.	REVISION RECORD	AUTH.	DR.	CK.	DATE	PART No.	313 11.00
						7-25-55	3726600	



WIRING DIAGRAM

						NAME	PASSENGER CAR INSTRUCTION MANUAL			
						REF.	DRAWN	CHECKED	R. P. O.	SHEET
						DATE	PART No.	3726600	313	12.00
DATE	SYM.	REVISION RECORD	AUTH.	DR.	CK.	7-25-55				

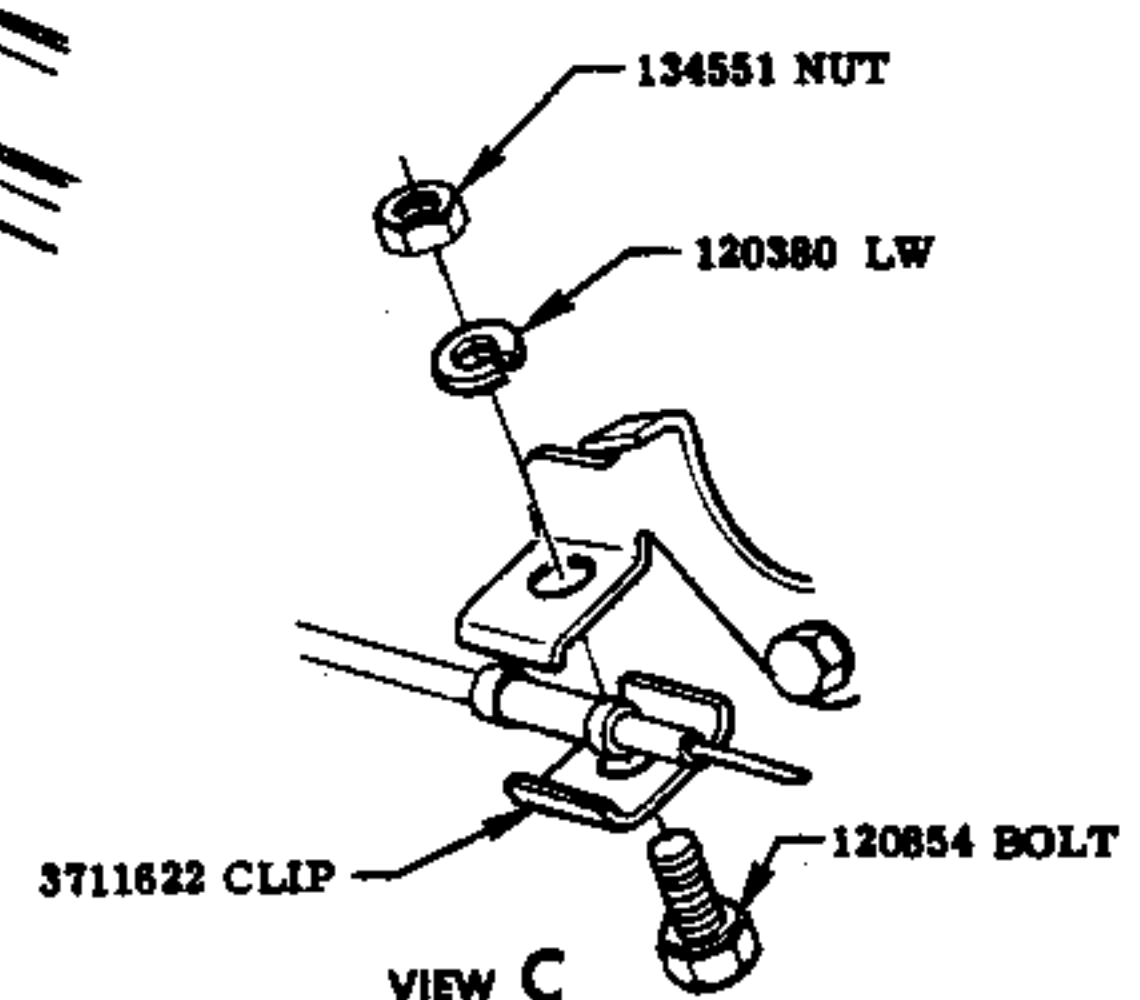
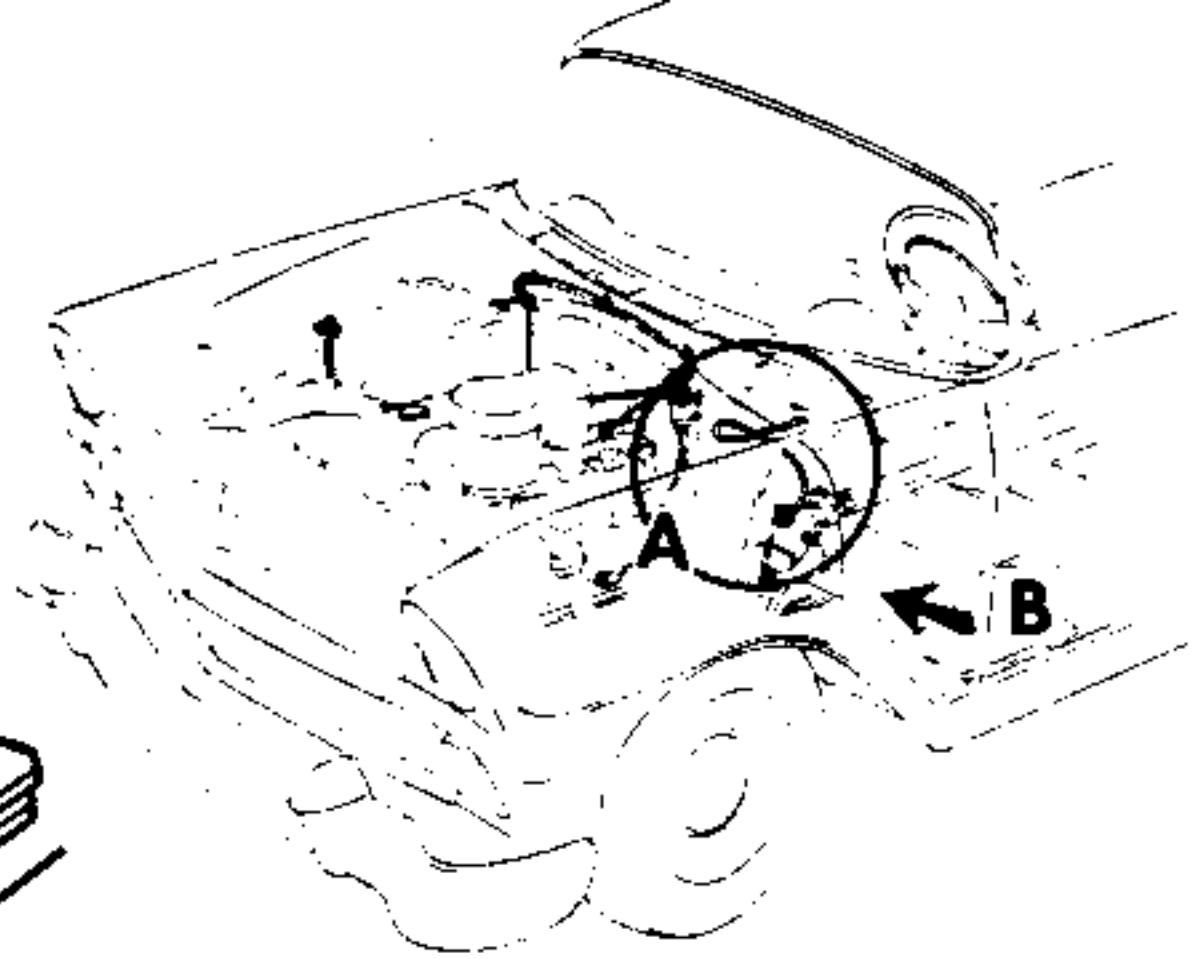
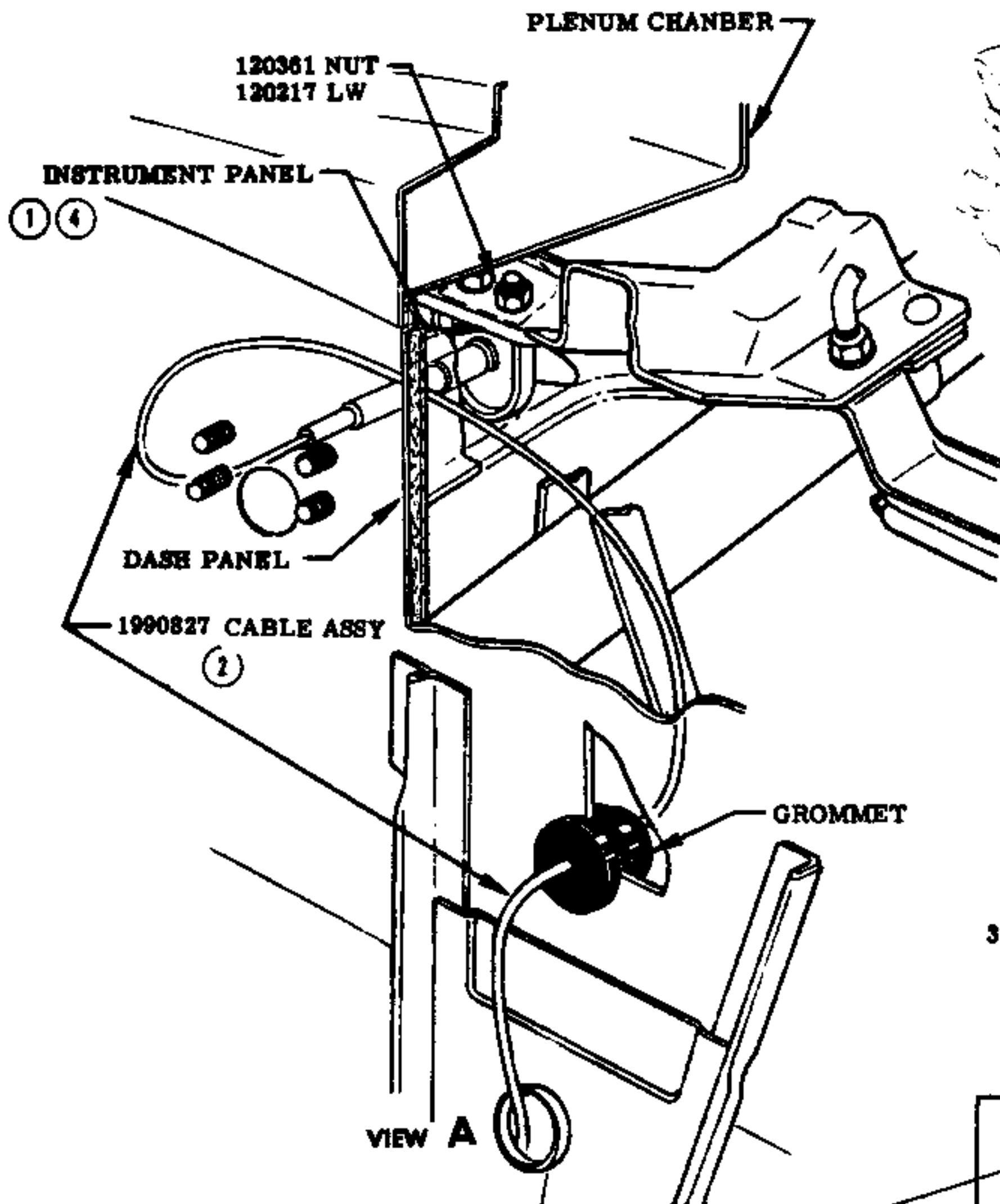


WIRING DIAGRAM SHEET 4.00

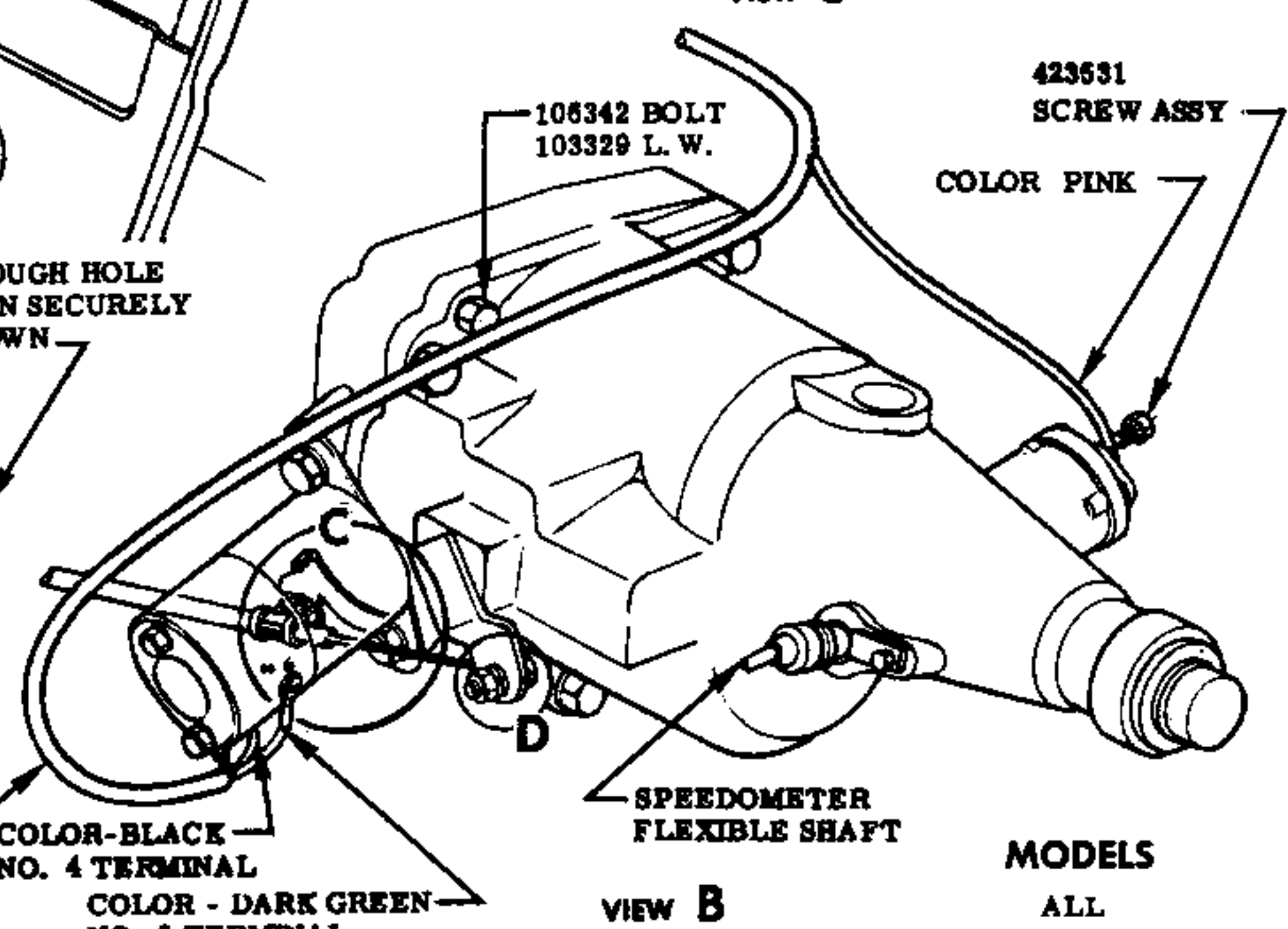
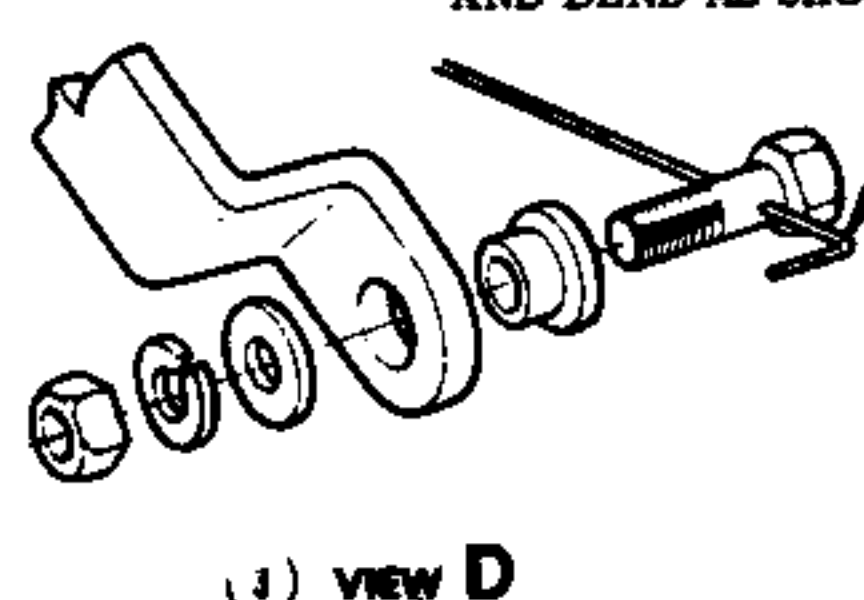
TRANSMISSION OVERDRIVE INSTRUCTION

**MODELS
ALL**

REVISION RECORD						PASSENGER CAR INSTRUCTION MANUAL				
DATE	SYM.	REVISION RECORD	AUTH.	DR.	CK.	NAME	DRAWN	CHECKED	R. P. O.	SHEET
2-28-55	4	WAS 3730823	8196		F					
12-5-55	3	WAS 3845164	4850		F					
11-14-55	2	WAS 3729378	9475		F					
10-10-55	1	WAS 3705745	3160		F					
						DATE 7-25-55	PART No.			
							3726400			
									315	1.00



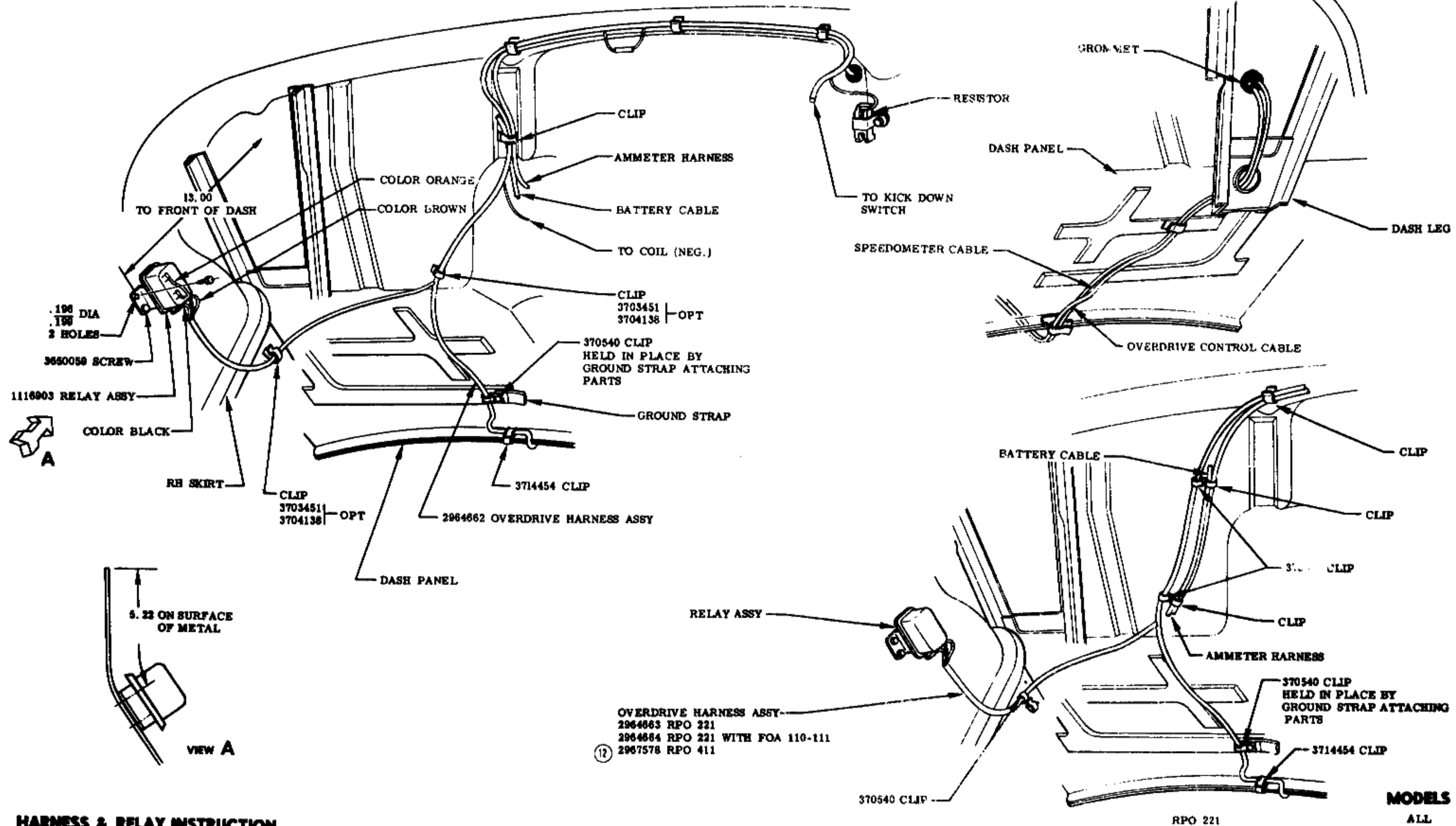
INSERT ROD THROUGH HOLE IN BOLT, TIGHTEN SECURELY AND BEND AS SHOWN



OVERDRIVE HARNESS
 COLOR-BLACK NO. 4 TERMINAL
 COLOR - DARK GREEN NO. 6 TERMINAL

SEE LUBRICATION INSTRUCTION
 CONTROL INSTRUCTION

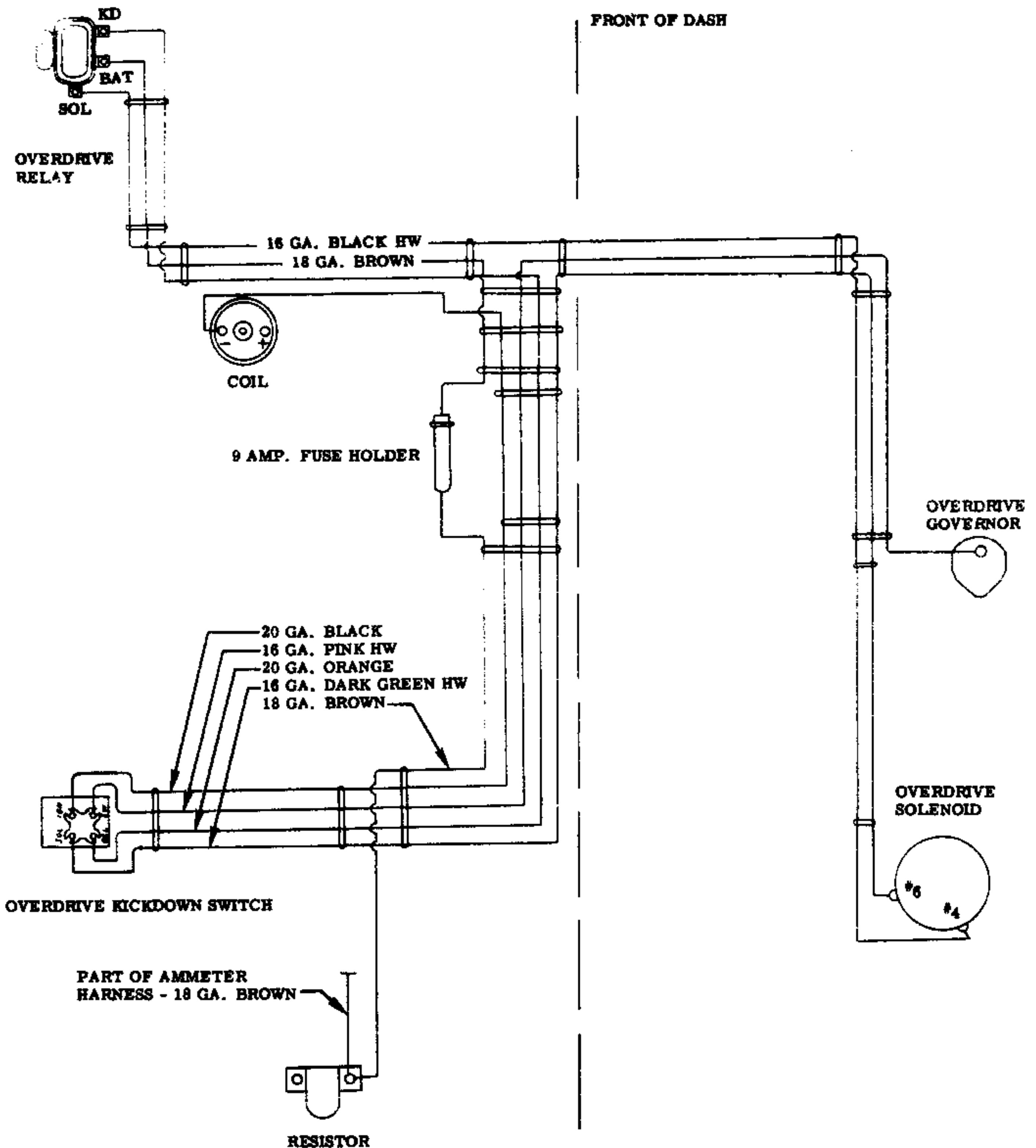
REVISION RECORD						PASSENGER CAR INSTRUCTION MANUAL				
DATE	SYM.	REVISION RECORD	AUTH.	DR.	CK.	NAME	DRAWN	CHECKED	R.P.O.	SHEET
12-28-55	4	3722427 CLIP REMOVED	5674		F	REF.				
11-21-55	3	VIEW REVISED	5678		F					
	2	WAS 1990778			F					
9-28-55	1	WAS 370540	4000			DATE	PART No.			
						7-25-55	3726600		315	2.00



HARNES & RELAY INSTRUCTION

OVERDRIVE HARNESS ASSY-
 2964663 RPO 221
 2964664 RPO 221 WITH FOA 110-111
 2967578 RPO 411

					NAME PASSENGER CAR INSTRUCTION MANUAL				
					REF.	DRAWN	CHECKED	R.P.O.	SHEET
7-23-58	11	REDRAWN							
DATE	SYM.	REVISION RECORD	AUTH.	DR.	CK.	DATE	PART No		
						9-2-55	3726600		
								315	3.00

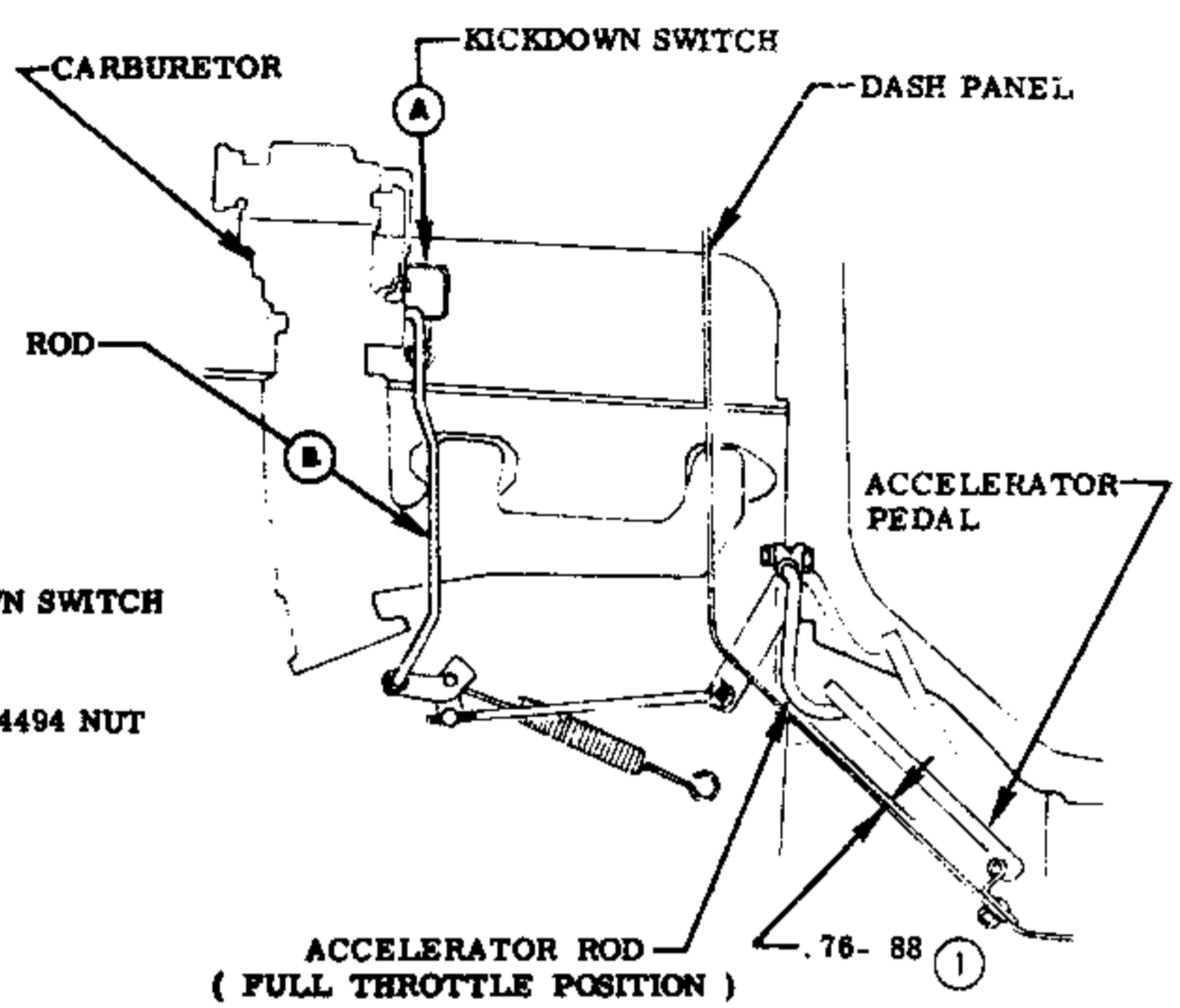
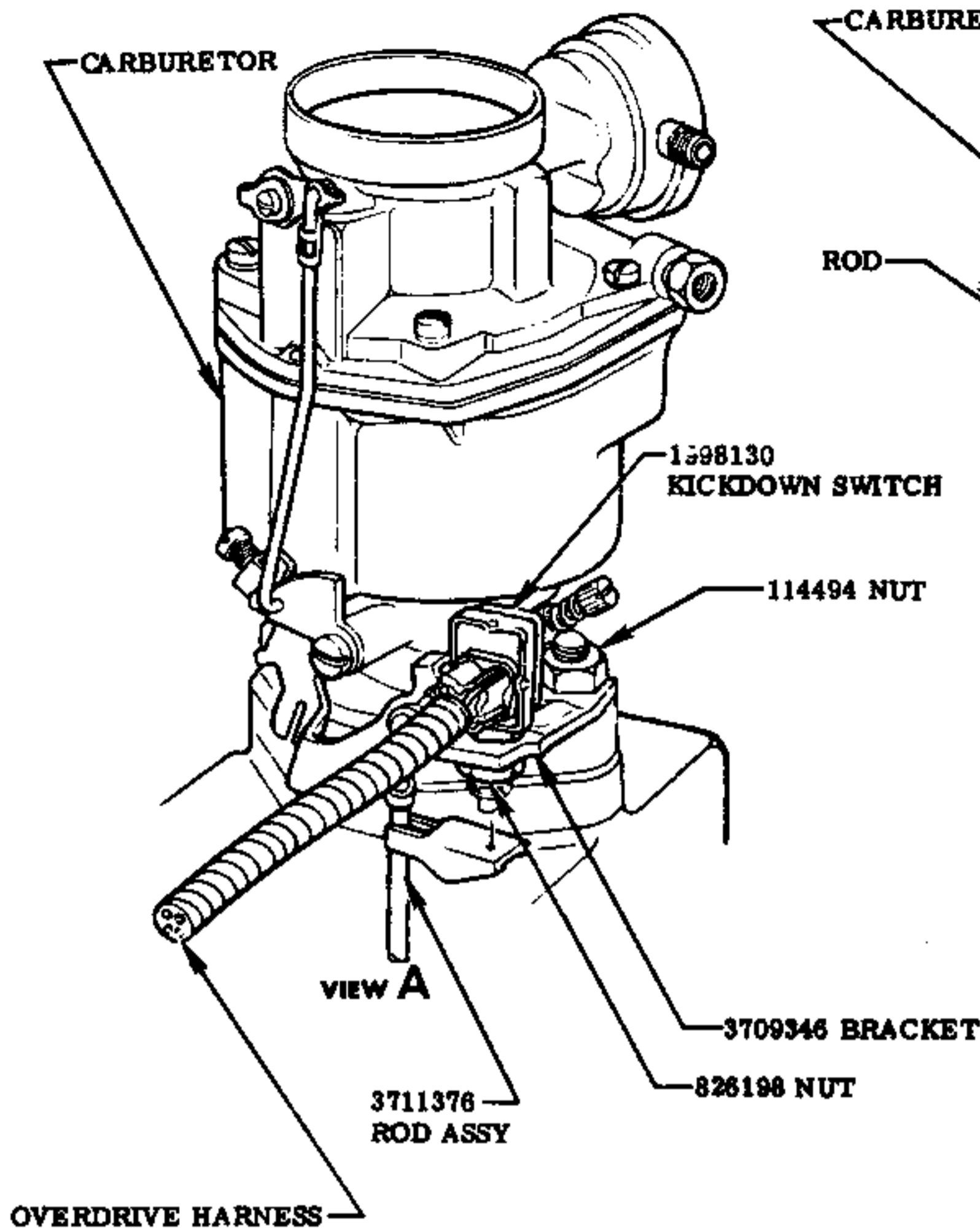


FRONT OF DASH

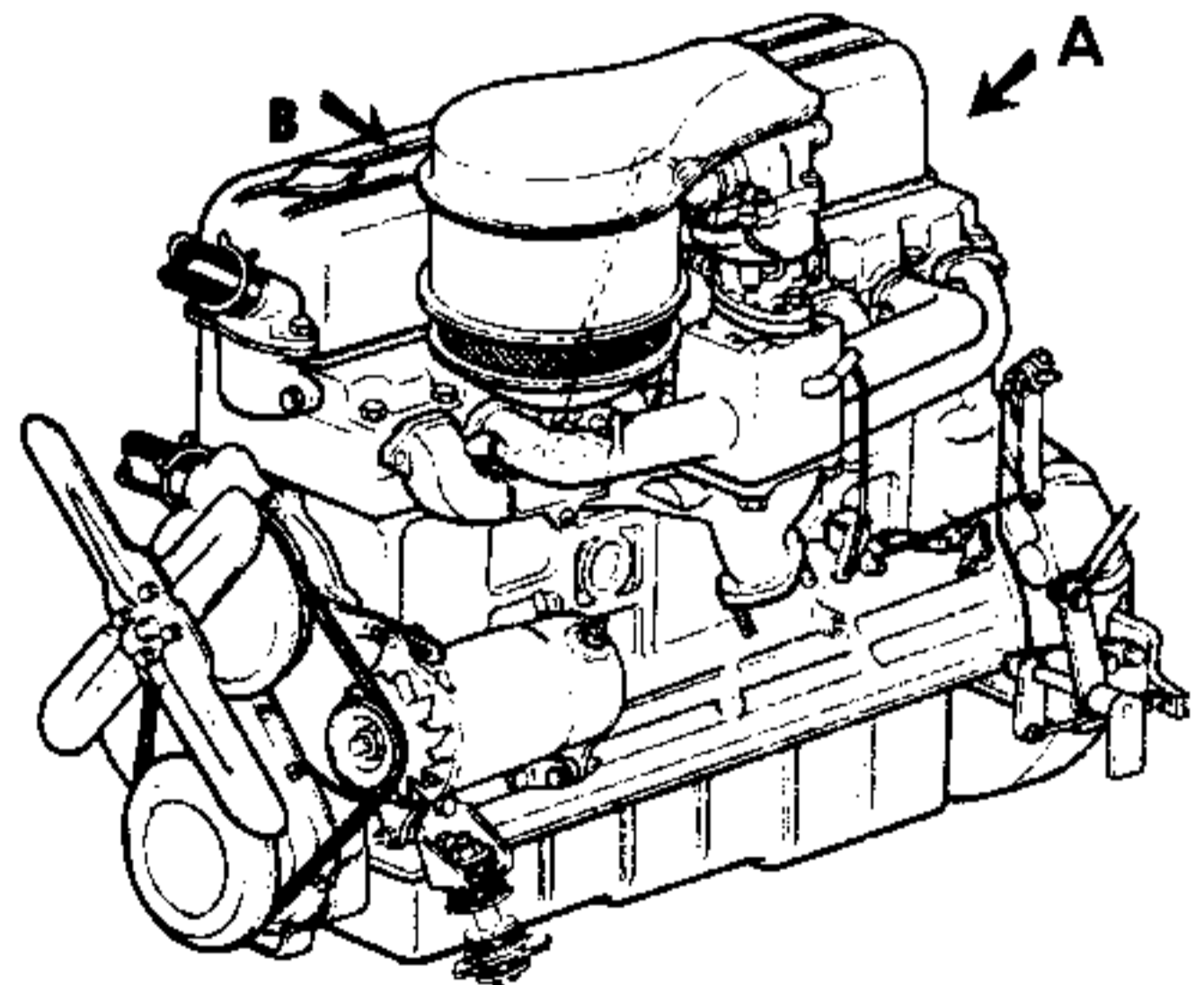
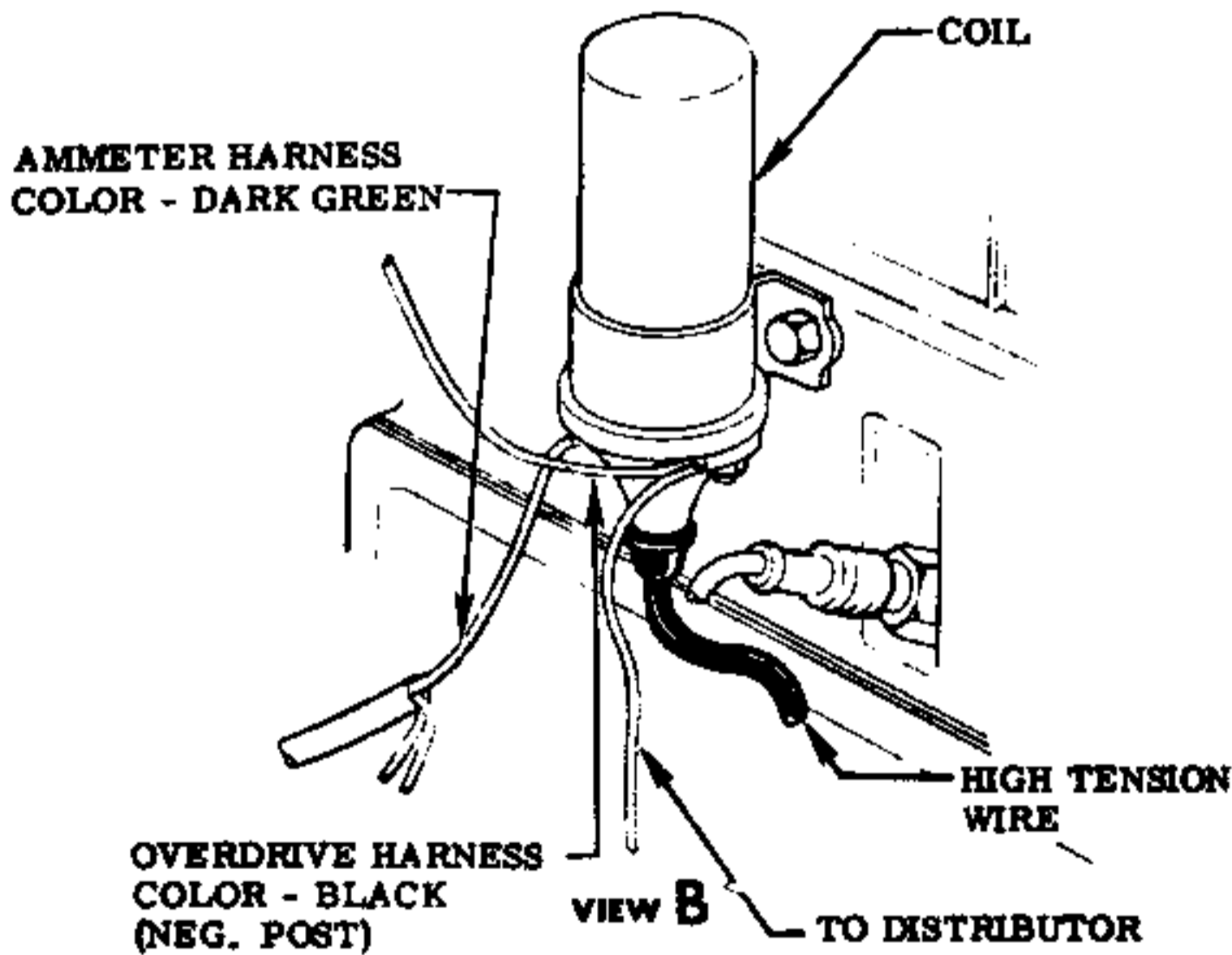
MODELS
ALL

WIRING INSTRUCTION

						NAME PASSENGER CAR INSTRUCTION MANUAL				
						REF.	DRAWN	CHECKED	R. P. O.	SHEET
									F	
						DATE	PART No.		315	4.00
DATE	SYM.	REVISION RECORD	AUTH.	DR.	CK.	7-25-55	3726600			



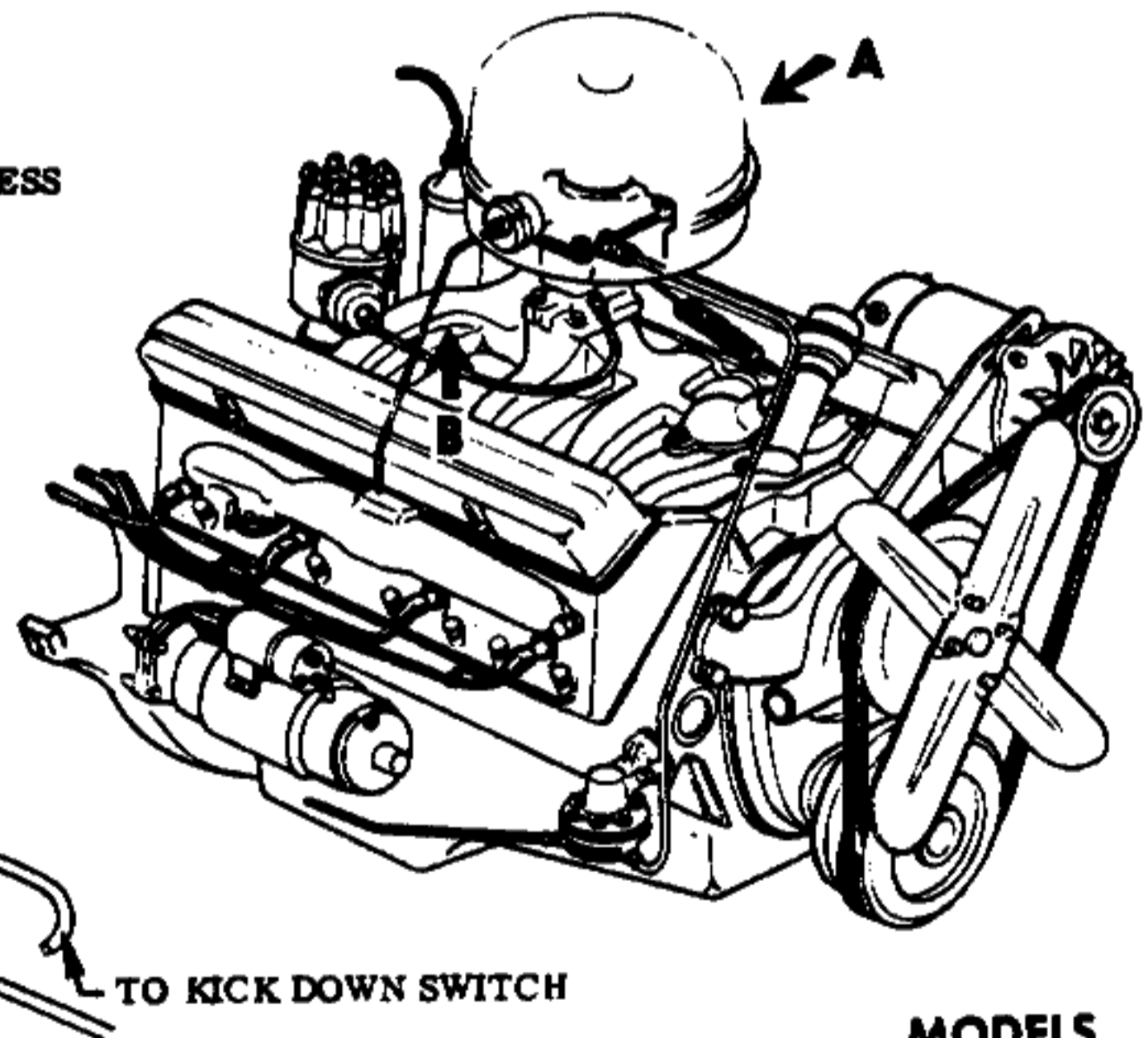
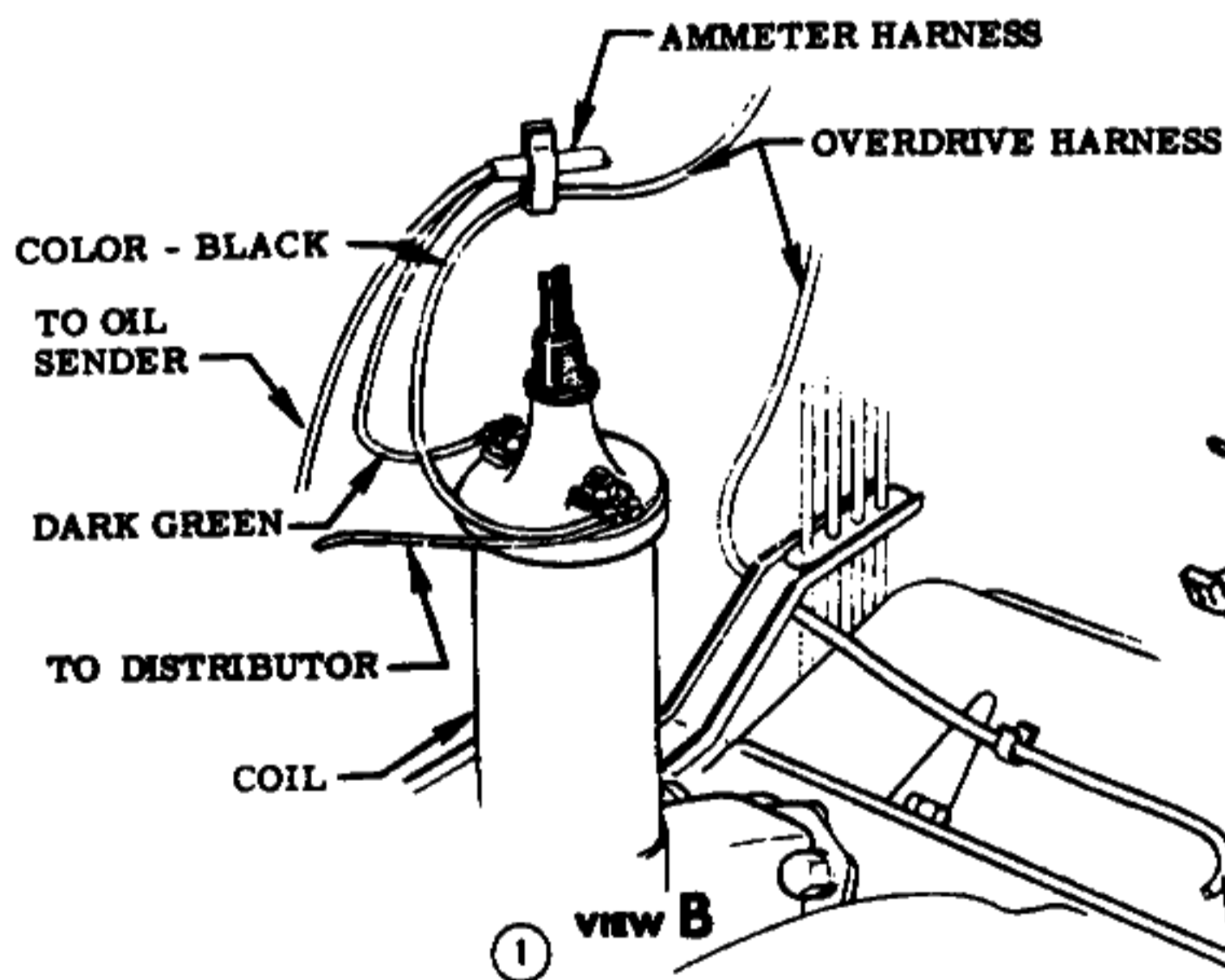
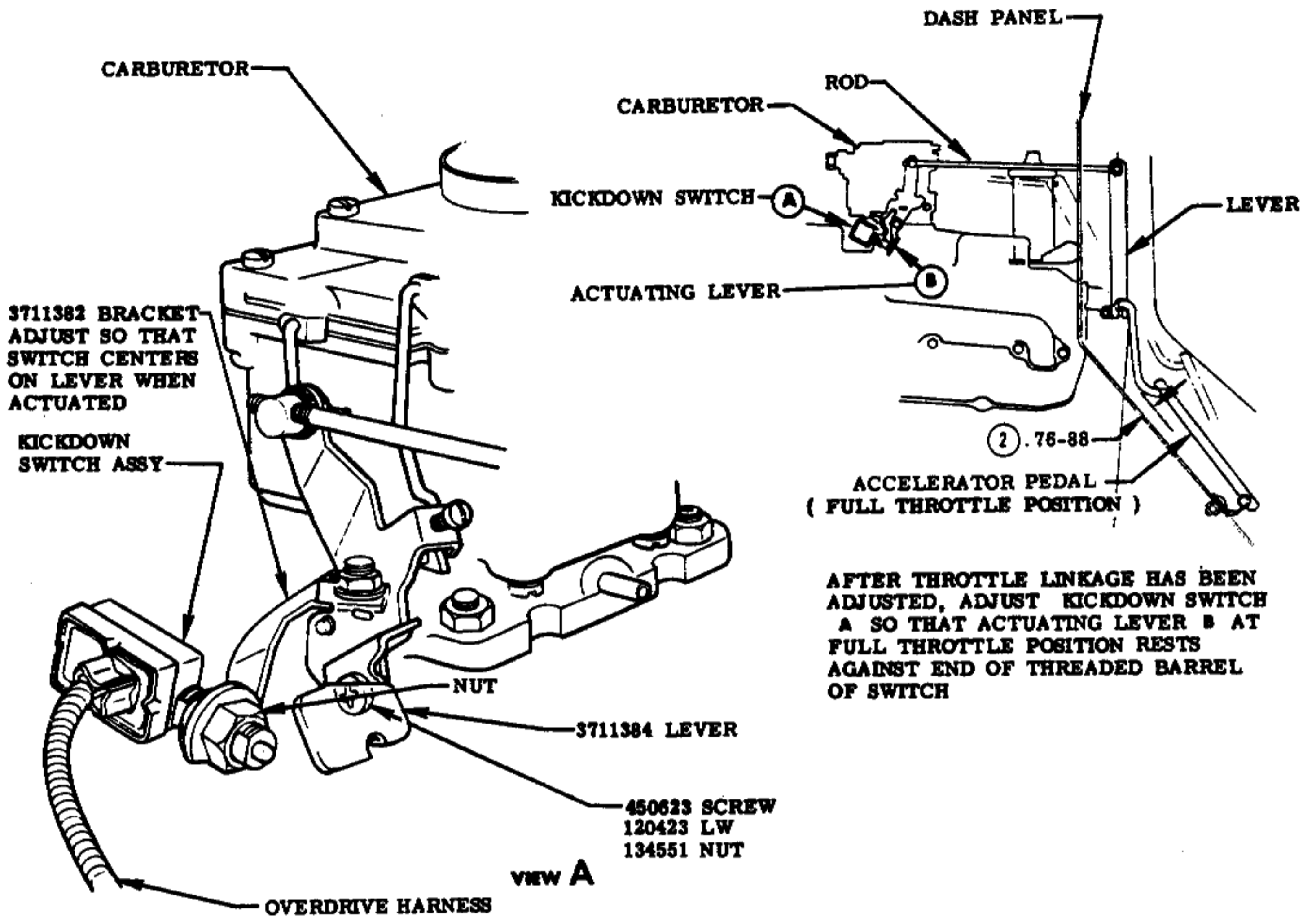
AFTER THROTTLE LINKAGE HAS BEEN ADJUSTED, ADJUST KICKDOWN SWITCH A SO THAT BRACKET ON ROD B AT FULL THROTTLE POSITION RESTS AGAINST END OF THREADED BARREL OF SWITCH



KICKDOWN SWITCH INSTRUCTION

MODELS
ALL

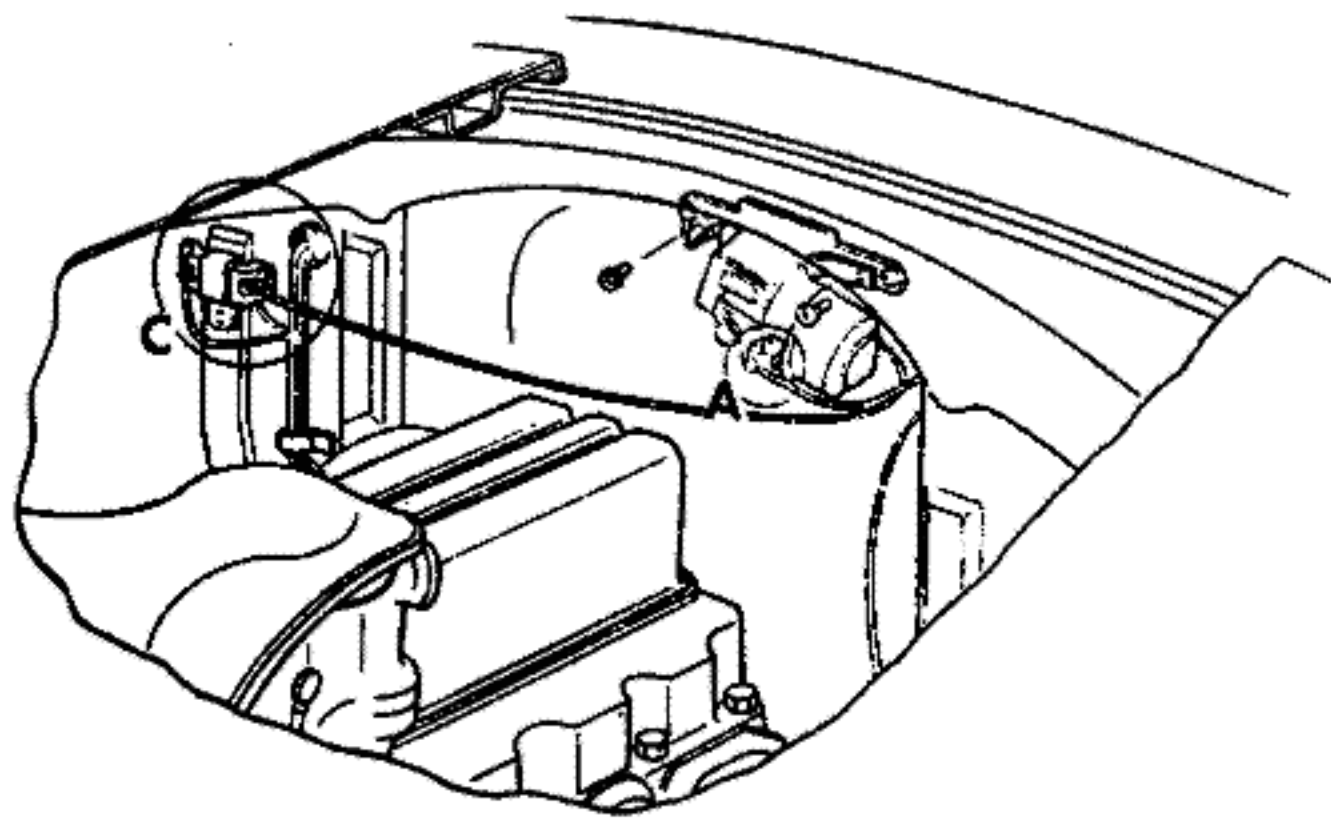
					NAME	PASSENGER CAR INSTRUCTION MANUAL			
					REF.	DRAWN	CHECKED	R. P. O.	SHEET
2-15-58	1	WAS .68-.76	8028	F	DATE 7-25-55	PART No.	3726600	315	5.00
DATE	SYM.	REVISION RECORD	AUTH.	DR.	CK.				



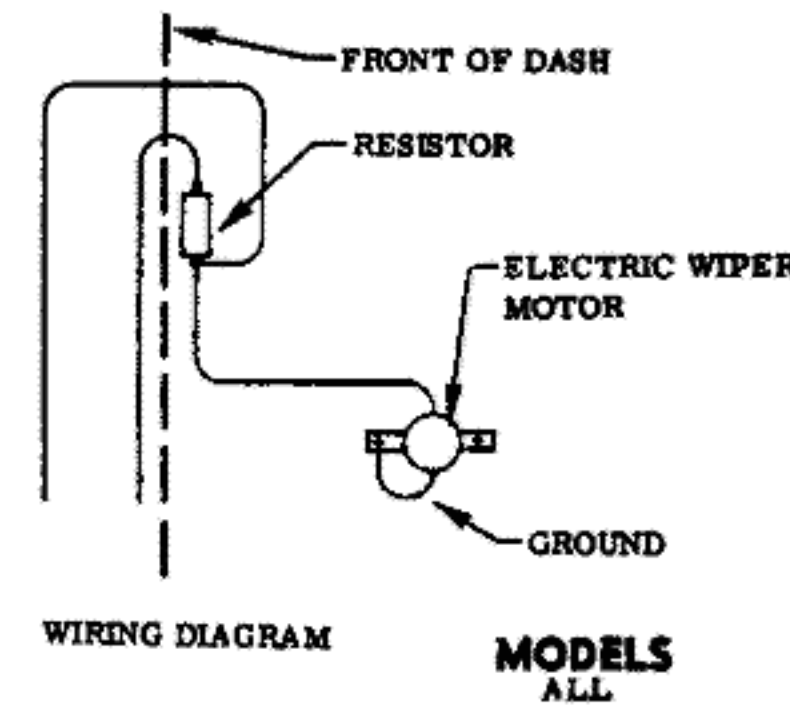
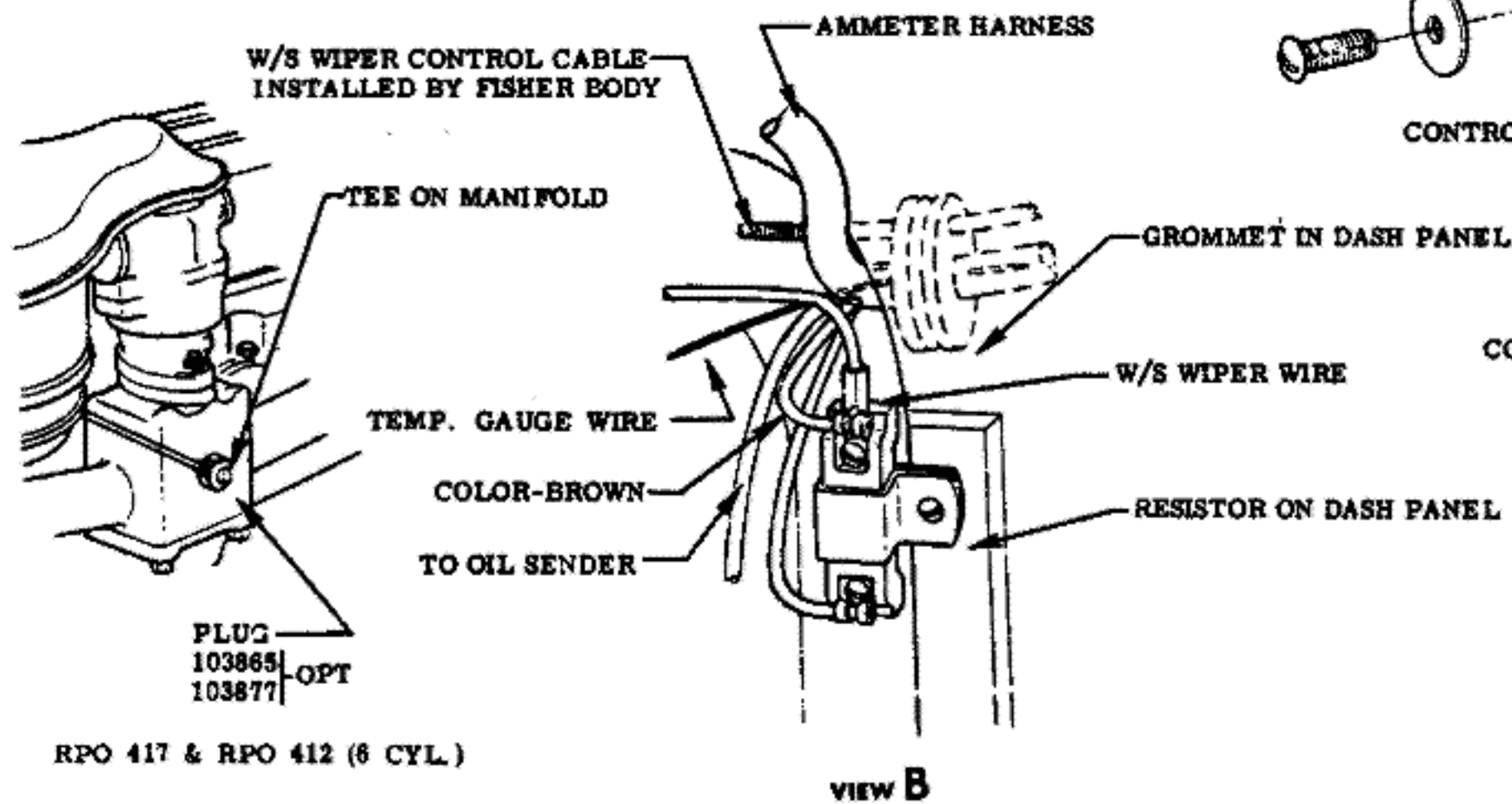
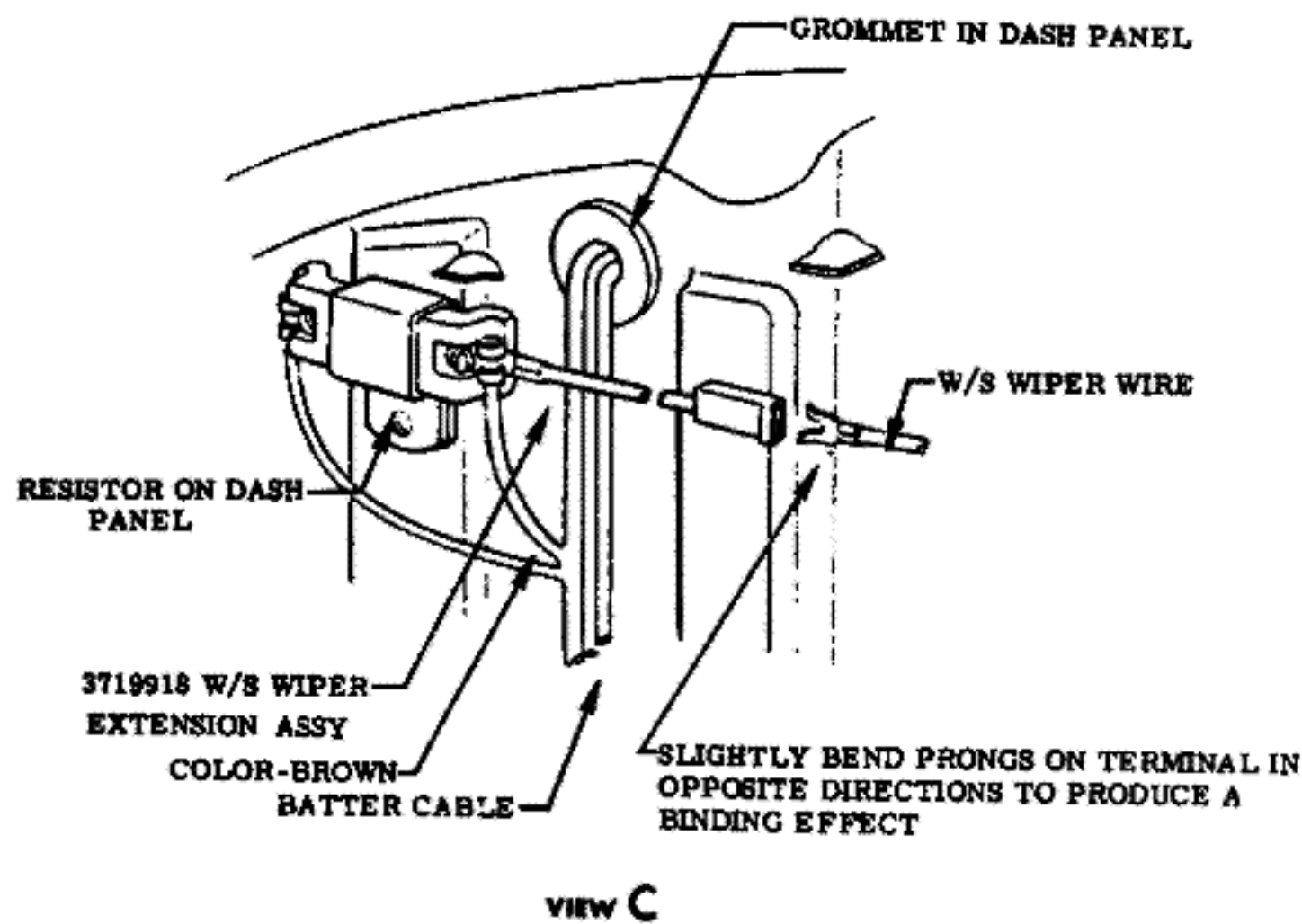
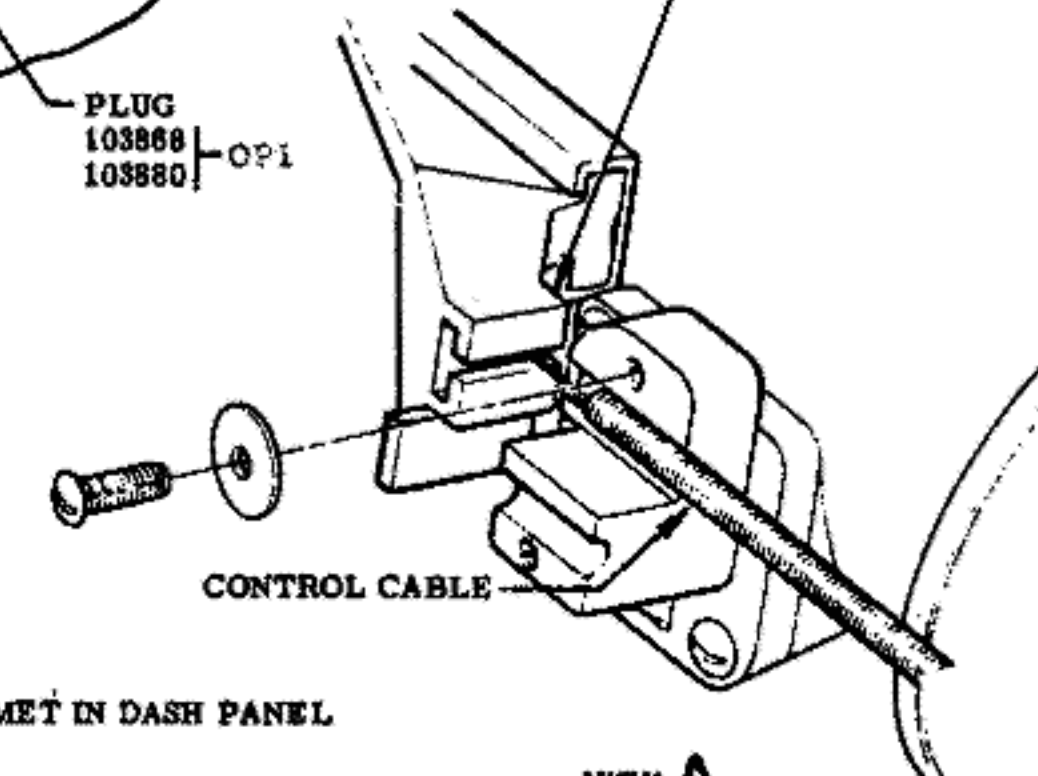
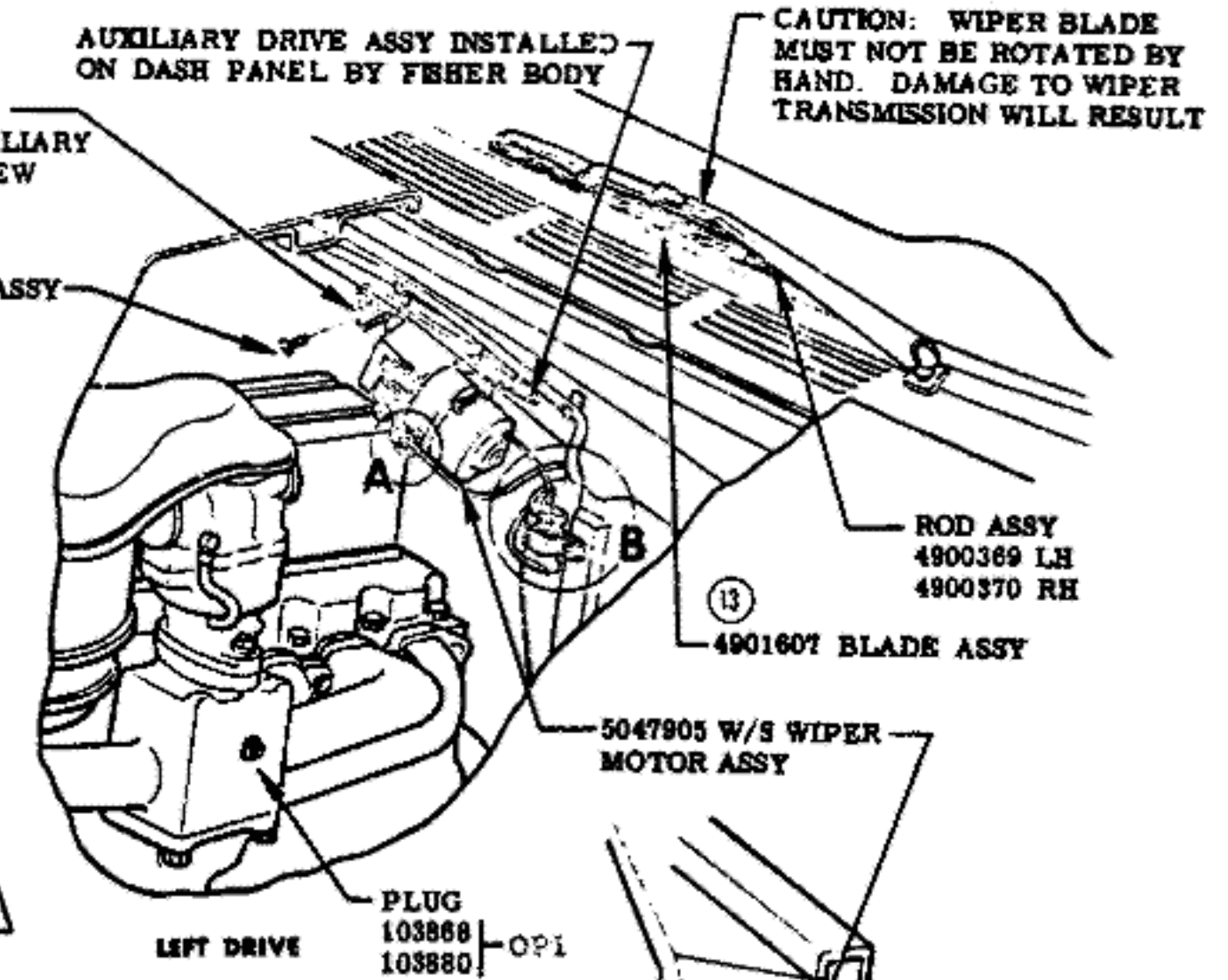
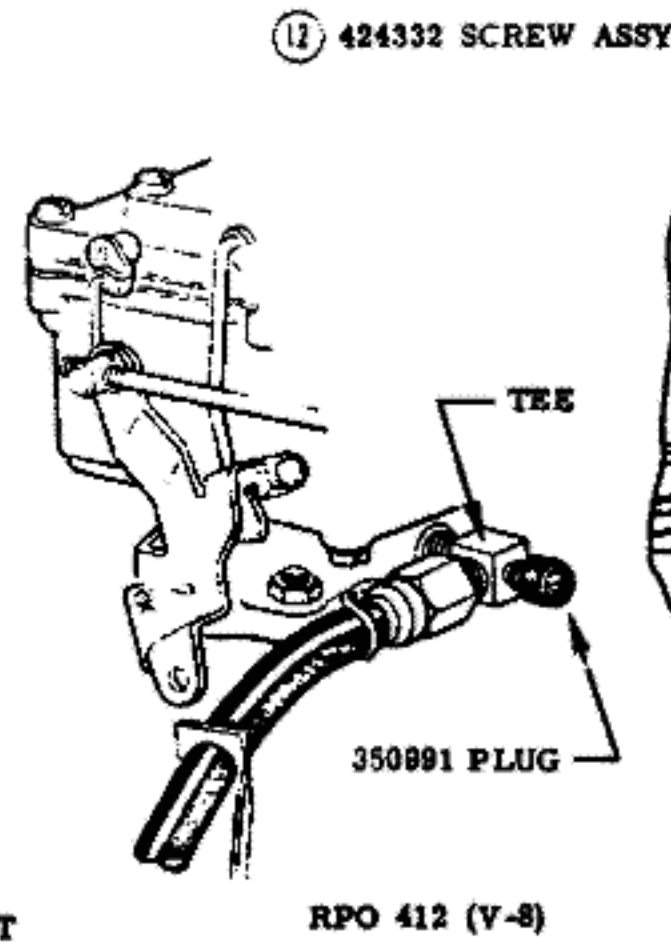
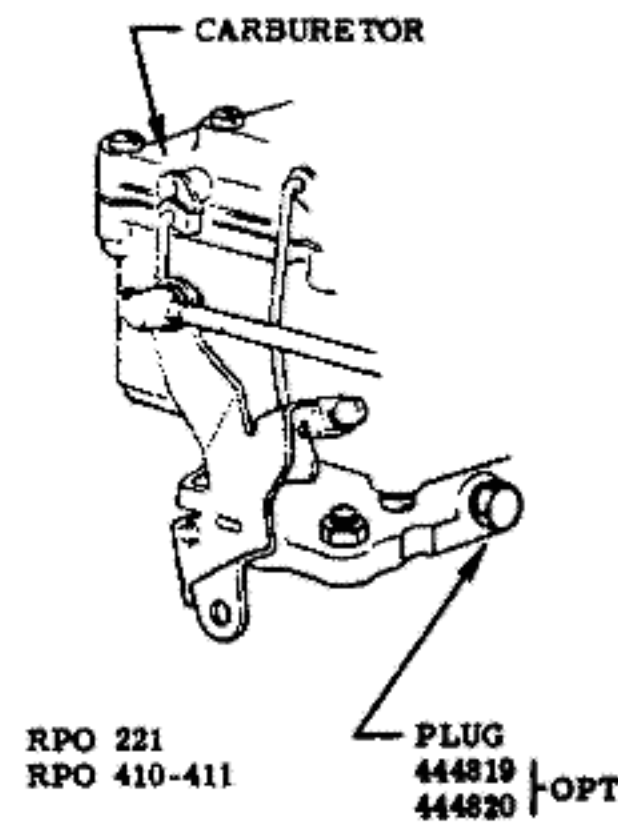
KICKDOWN SWITCH INSTRUCTION

**MODELS
ALL
WITH RPO 221**

					NAME PASSENGER CAR INSTRUCTION MANUAL				
					REF.	DRAWN	CHECKED	R. P. O.	SHEET
2-15-56	2	WAS . 68-. 76	8028	F			F	315	6.00
1-16-56	1	VIEW REVISED		F	DATE 7-25-55	PART No. 3726600			
DATE	SYM.	REVISION RECORD	AUTH.	DR.	CK.				



RIGHT DRIVE

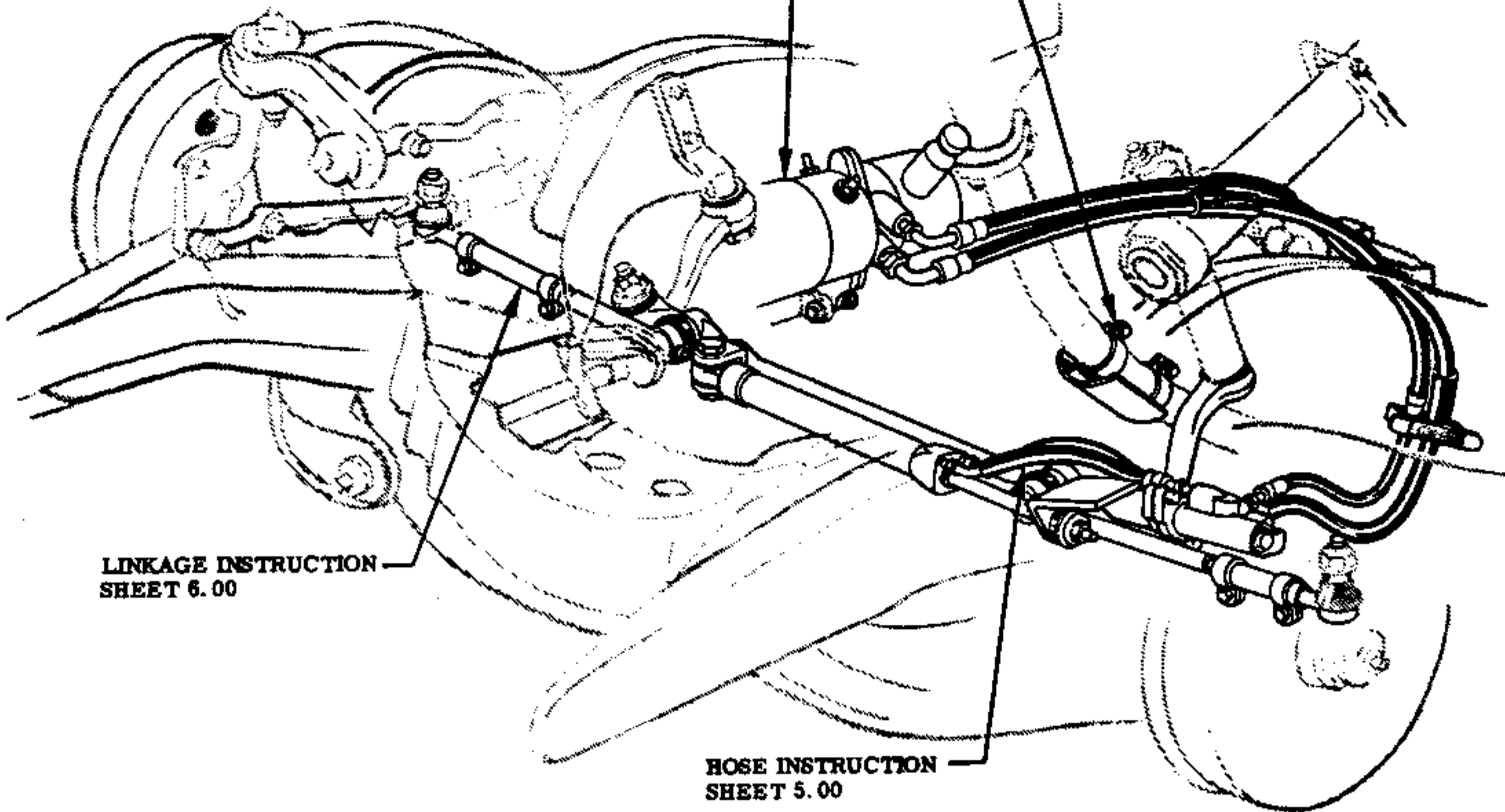


ELECTRIC WINDSHIELD WIPER INSTRUCTION

					PASSENGER CAR INSTRUCTION MANUAL					
DATE	SYM.	REVISION RECORD	AUTH.	DR.	CK.	DATE	PART No.	3726600	320	1.00
4-18-58	13	WAS 4900368	9348	F		REF.	DRAWN	CHECKED	F	SHEET
	12	WAS 436746, 138479		F						
3-20-58	11	REDRAWN	8435			DATE				
						7-23-55				

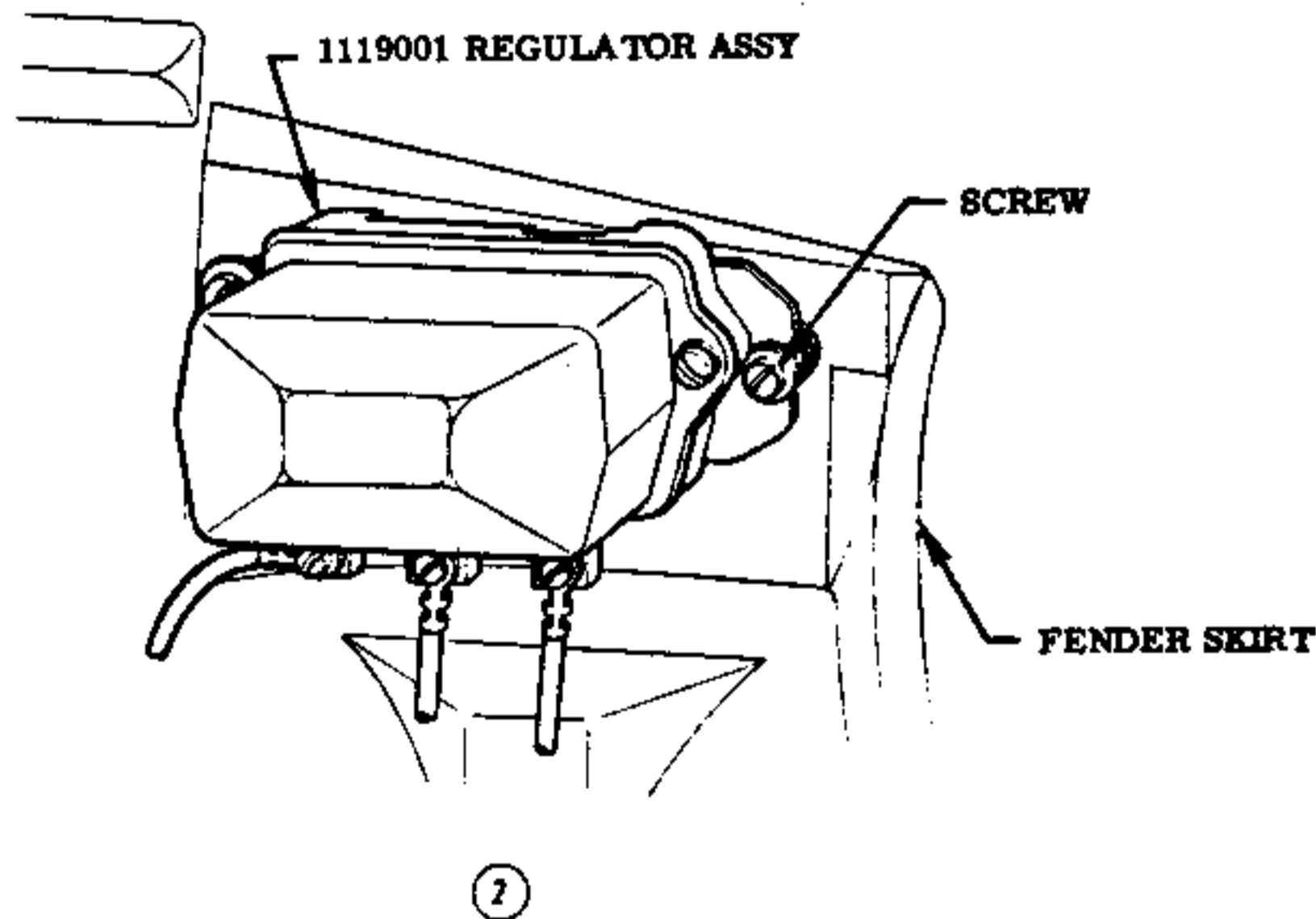
GENERATOR INSTRUCTION SHEET 4.00

HOSE SHIELD INSTRUCTION SHEET 2.00



LINKAGE INSTRUCTION SHEET 6.00

HOSE INSTRUCTION SHEET 5.00

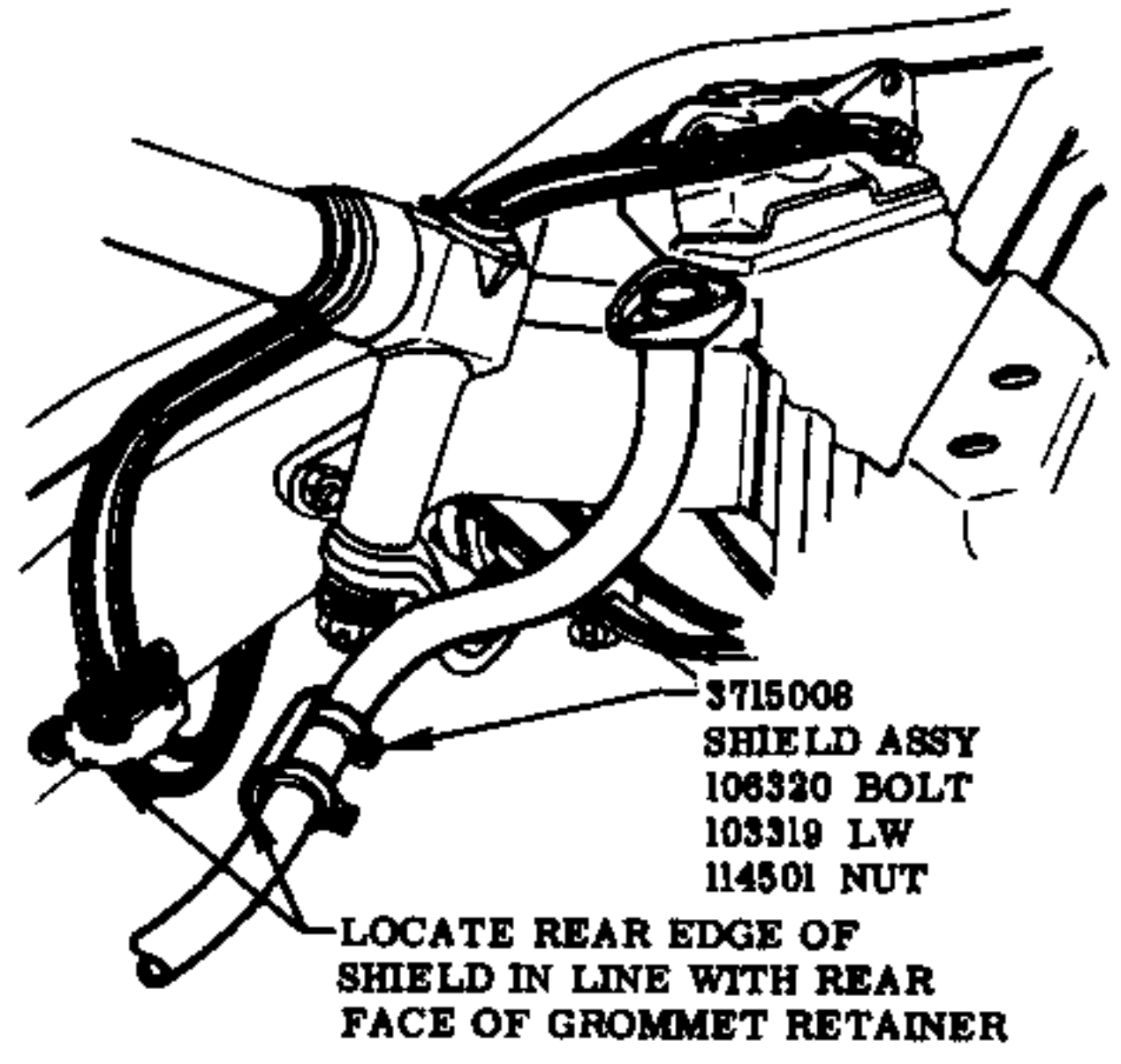
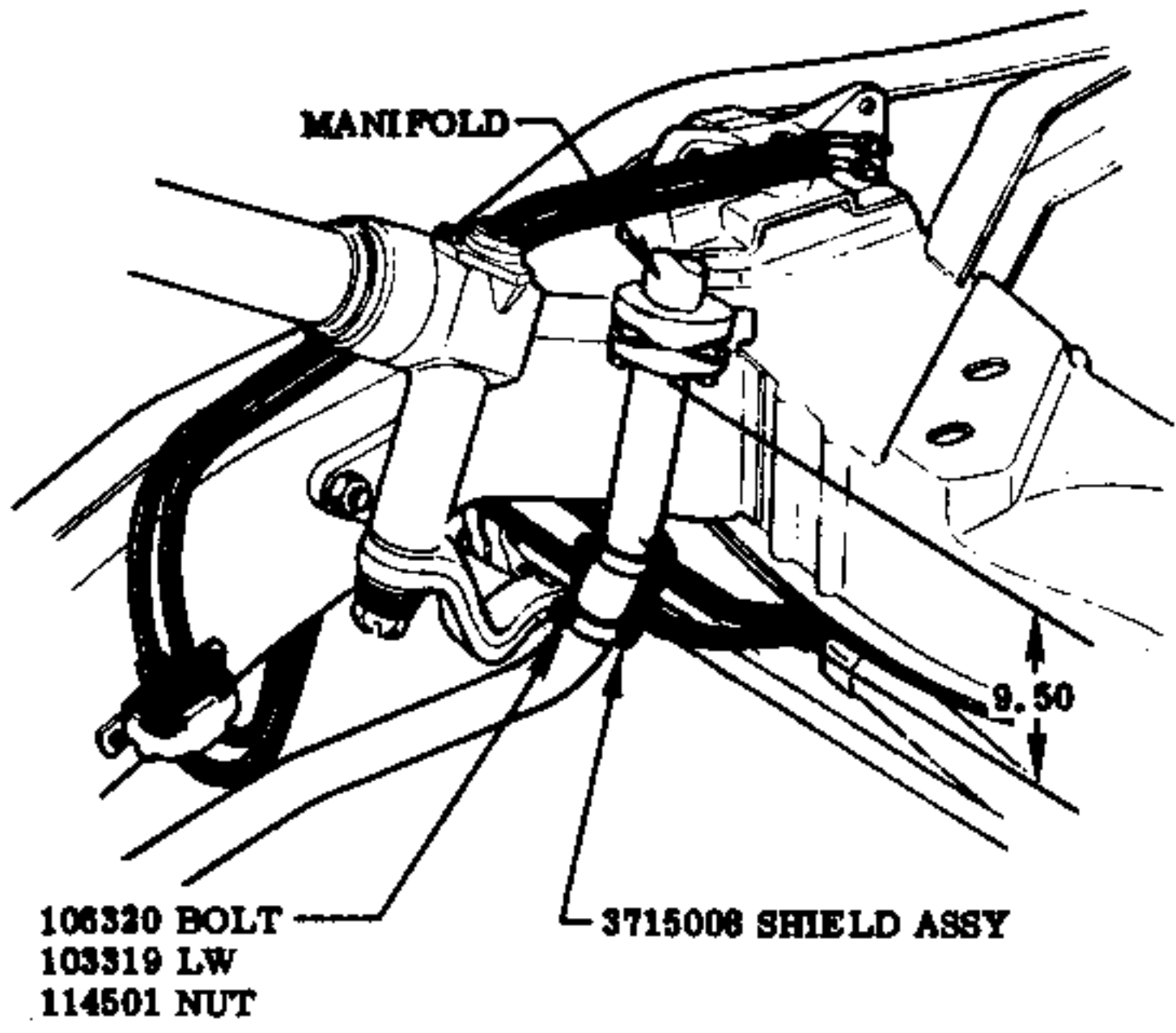


BLEEDING INSTRUCTION SHEET 3.00

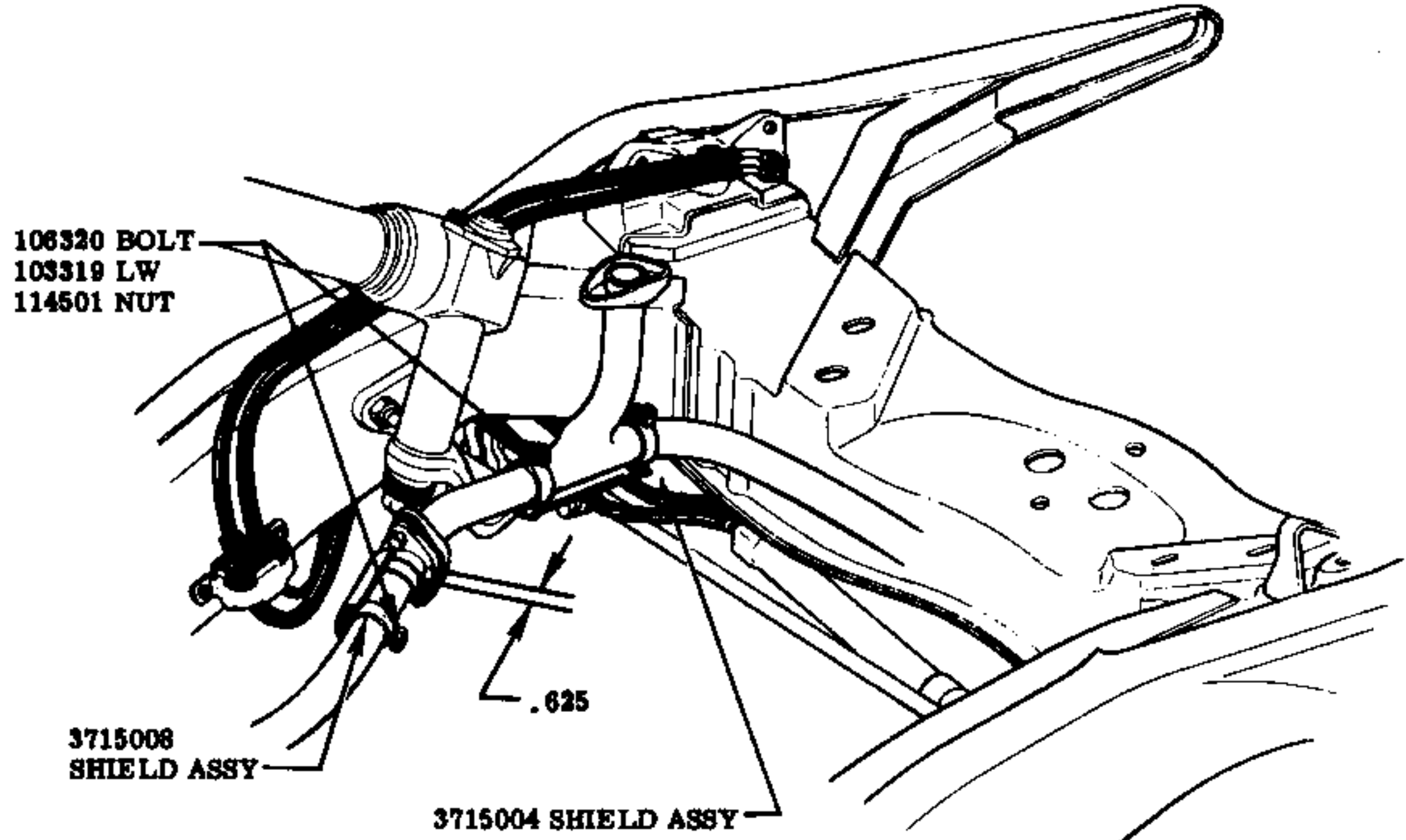
HYDRAULIC STEERING INSTRUCTION

MODELS ALL

					NAME PASSENGER CAR INSTRUCTION MANUAL					
					REF.	DRAWN	CHECKED	F	R.P.O.	SHEET
11-14-55	2	VIEW ADDED	---	F						
9-22-55	1	VIEW REMOVED	---	F	DATE	PART No.				
		REVISION RECORD	AUTH.	DR.	CK.	7-25-55	3726600		324	1.00



R.P.O. 410



R.P.O. 221

**MODELS
ALL**

HOSE SHIELD INSTRUCTION

					NAME PASSENGER CAR INSTRUCTION MANUAL				
					REF.	DRAWN	CHECKED F	R.P.O.	SHEET
					DATE 7-25-55	PART No. 3726600		324	2.00
DATE	SYM.	REVISION RECORD	AUTH.	DR.	CK.				

POWER STEERING BLEEDING INSTRUCTION

A OR B OPTIONAL

A BENCH

REFER TO RPO 324, SHEET 1.00

- 1 LINKAGE UNIT TO BE COMPLETELY ASSEMBLED INCLUDING INLET AND OUTLET HOSES
- 2 CONNECT THE AUTOMATIC TRANSMISSION FLUID SUPPLY UNDER PRESSURE TO OUTLET HOSE ASSEMBLY. PLACE INLET IN A RECEPTACLE THAT WILL CATCH ANY OIL THAT MAY BE FORCED OUT.
- 3 OPERATE VALVE BY MOVING THE PITMAN ARM BALL STUD AND MAKE AT LEAST ONE COMPLETE STROKE OF THE PISTON WITH VALVE IN EACH POSITION.
- 4 SYSTEM WILL BE BLED WHEN A CLEAR STREAM OF FLUID WITHOUT AIR BUBBLES COMES OUT OF THE INLET HOSE.

B ON THE COMPLETED VEHICLE

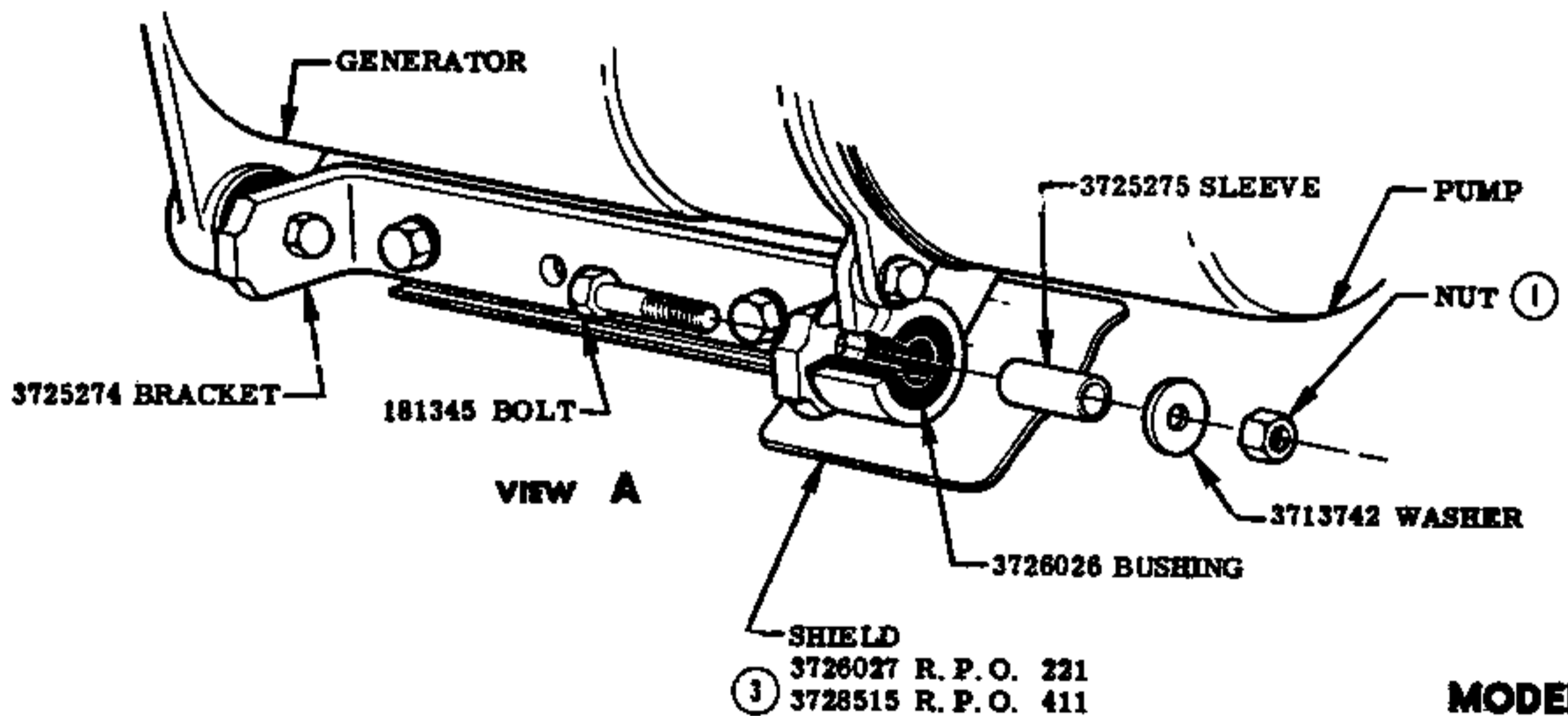
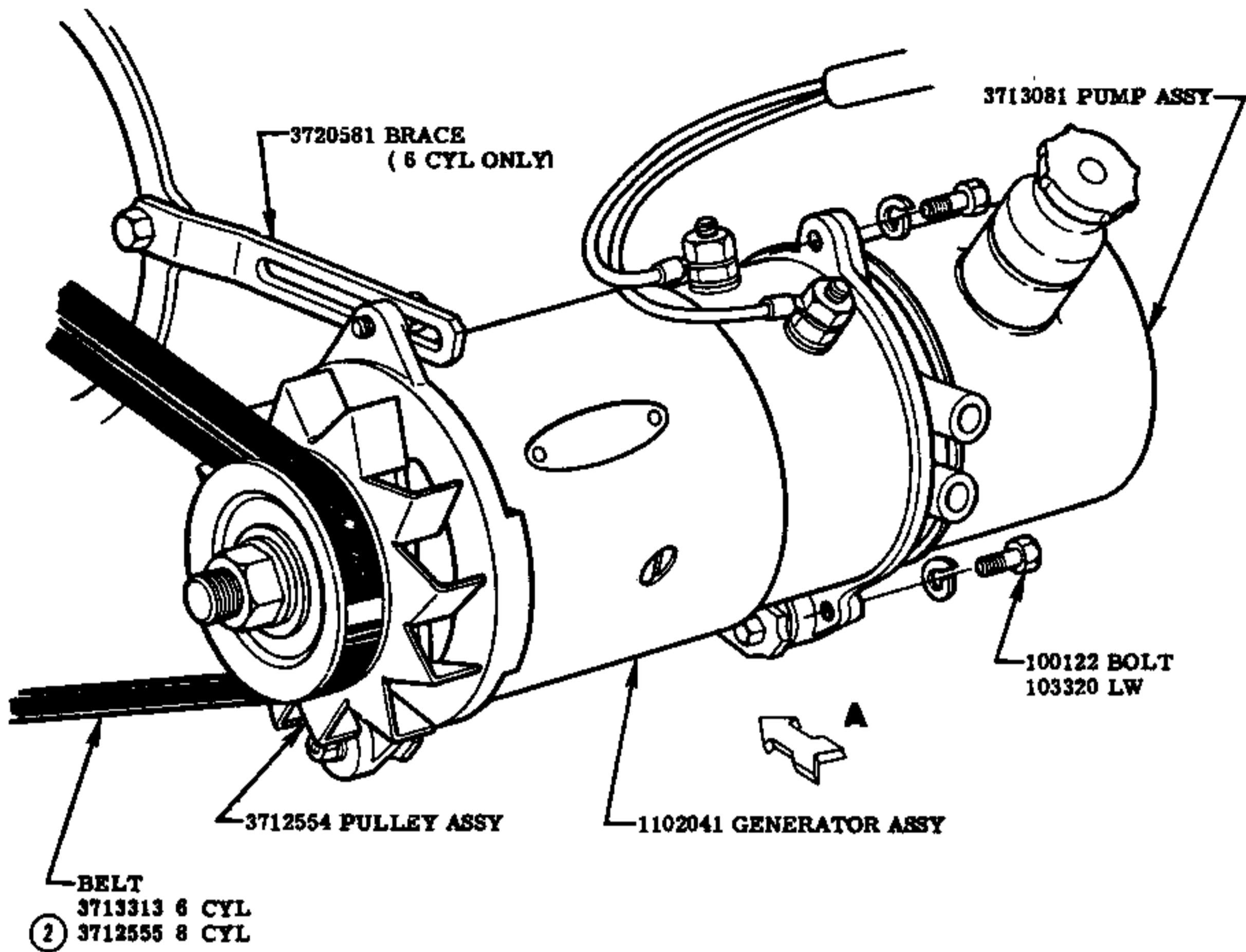
- 1 JACK UP CAR UNTIL FRONT WHEELS ARE CLEAR.
- 2 FILL PUMP WITH FLUID.
- 3 RUN ENGINE 5 TO 10 SECONDS WITH WHEELS IN STRAIGHT AHEAD POSITION
- 4 REFILL PUMP WITH FLUID.
- 5 RUN ENGINE FOR A FEW SECONDS AND TURN WHEELS IN BOTH DIRECTIONS AGAINST STOPS.
- 6 REFILL PUMP WITH FLUID.

IT IS VERY IMPORTANT THAT THE WHEELS BE OFF OF THE GROUND WHEN BLEEDING, SINCE UNDER LOADED CONDITIONS THE OIL IS INJECTED INTO THE CYLINDERS UNDER EXTREMELY HIGH PRESSURE AND WILL CAUSE FOAMING. THIS CONDITION CAN BE DETECTED BY THE PUMP BEING NOISY. THE AIR WILL BLEED OUT AFTER 2 TO 3 HOURS OF STANDING.

**MODELS
ALL**

BLEEDING INSTRUCTION

						NAME PASSENGER CAR INSTRUCTION MANUAL					
						REF.	DRAWN	CHECKED	F	R.P.O.	SHEET
										324	3.00
						DATE	PART No.				
						7-25-55	3726600				
DATE	SYM.	REVISION RECORD	AUTH.	DR.	CK.						



MODELS

ALL

GENERATOR INSTRUCTION

					NAME PASSENGER CAR INSTRUCTION MANUAL					
DATE	SYM.	REVISION RECORD	AUTH.	DR.	CK.	REF.	DRAWN	CHECKED	R.P.O.	SHEET
1-16-56	3	3728515 ADDED	5380		F			F		
	2	WAS 3704972			F					
11-21-55	1	NO 3695284 REMOVED				DATE	PART No.		324	4.00
						7-25-55	3726600			

3717650 GROMMET
HOSES SHOULD ARCH
AS HIGH AS POSSIBLE TO
PREVENT BEING WEDGED
BETWEEN FENDER SKIRT
AND STEERING GEAR
HOUSING

OUTLET HOSE ASSY.
3739624
3739626 RPO 221
INLET HOSE ASSY.
3739623
3739625 RPO 221

INSTALL CURVED ENDS OF
HOSES TO CYLINDER AND
ARCH HOSES TO CLEAR TOP
OF RELAY TIE ROD.

3710596 HOSE ASSY

IDENTIFICATION GROOVES
ON THESE HOSES MUST BE
AT TOP

BRACKET

GROMMET
3732038

MODELS
ALL

CLAMP
3710618
GROMMET
3710617
3722698 RPO 221

171035 SCREW

103339 PW
SLOTTED END ONLY

FRAME

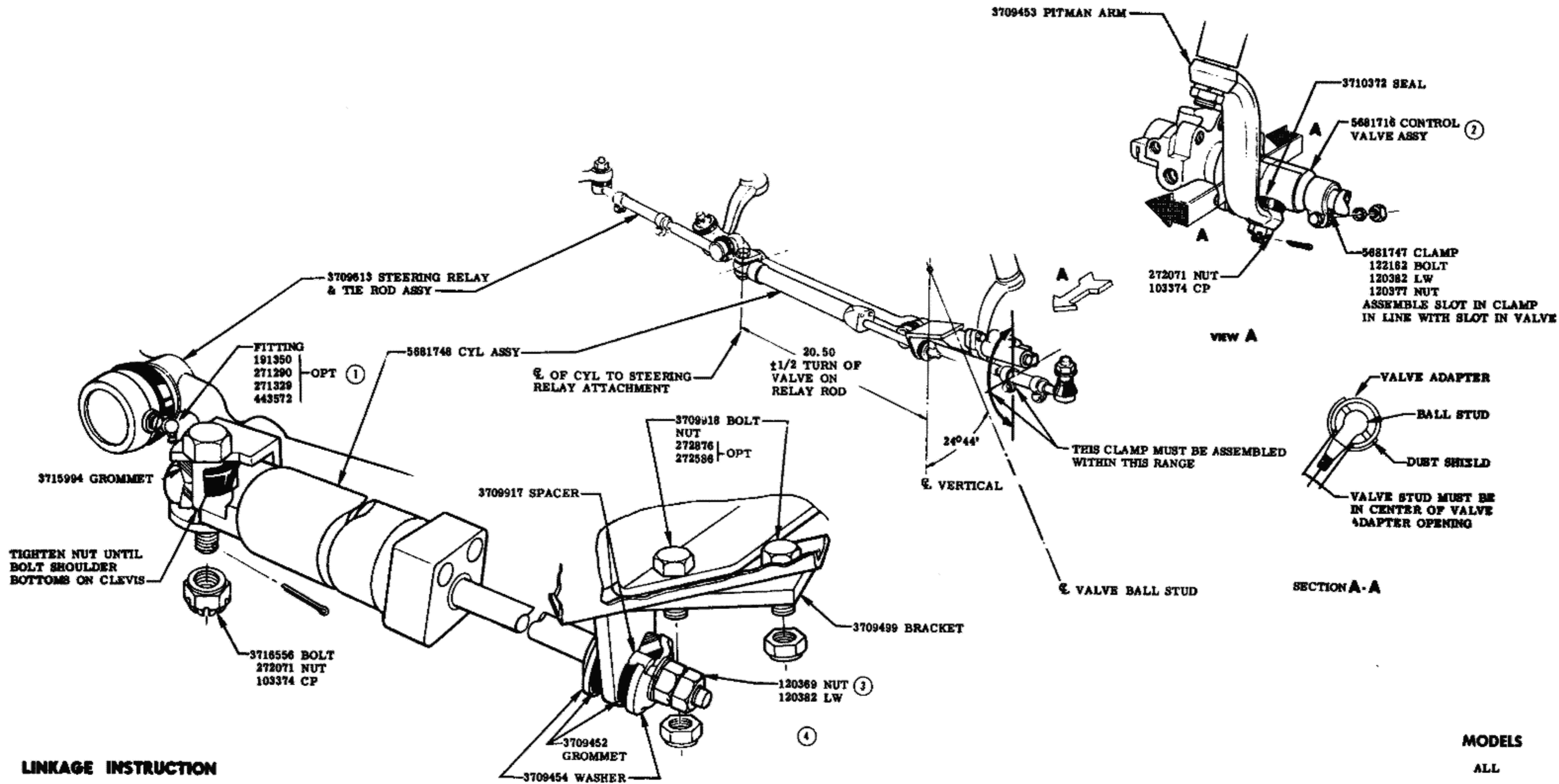
CLAMP

VIEW A

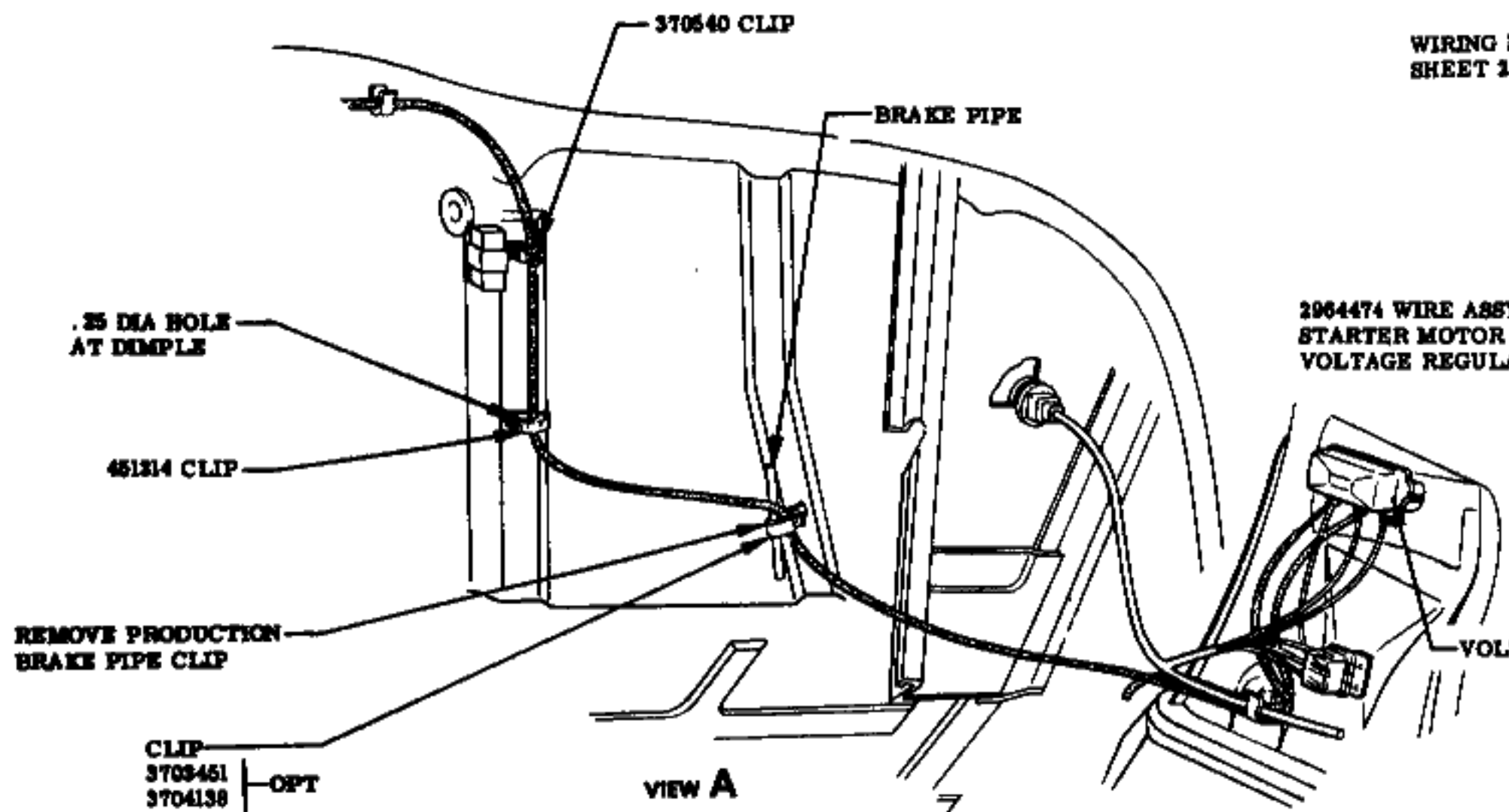
ASSEMBLE HOSE WITH
YELLOW STRIPE POSITIONED
EVEN WITH BOTTOM OF
GROMMET.

HOSE INSTRUCTION

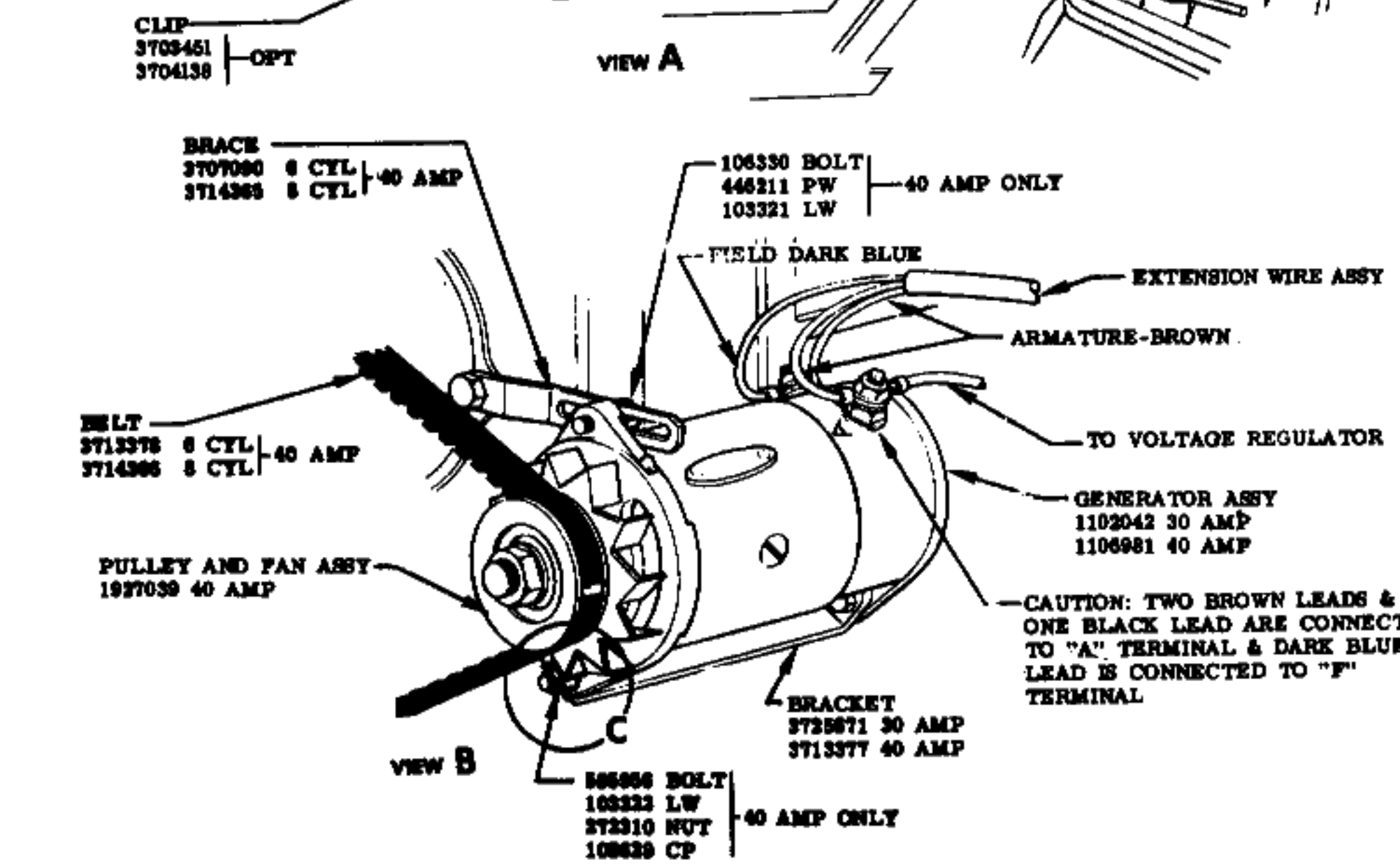
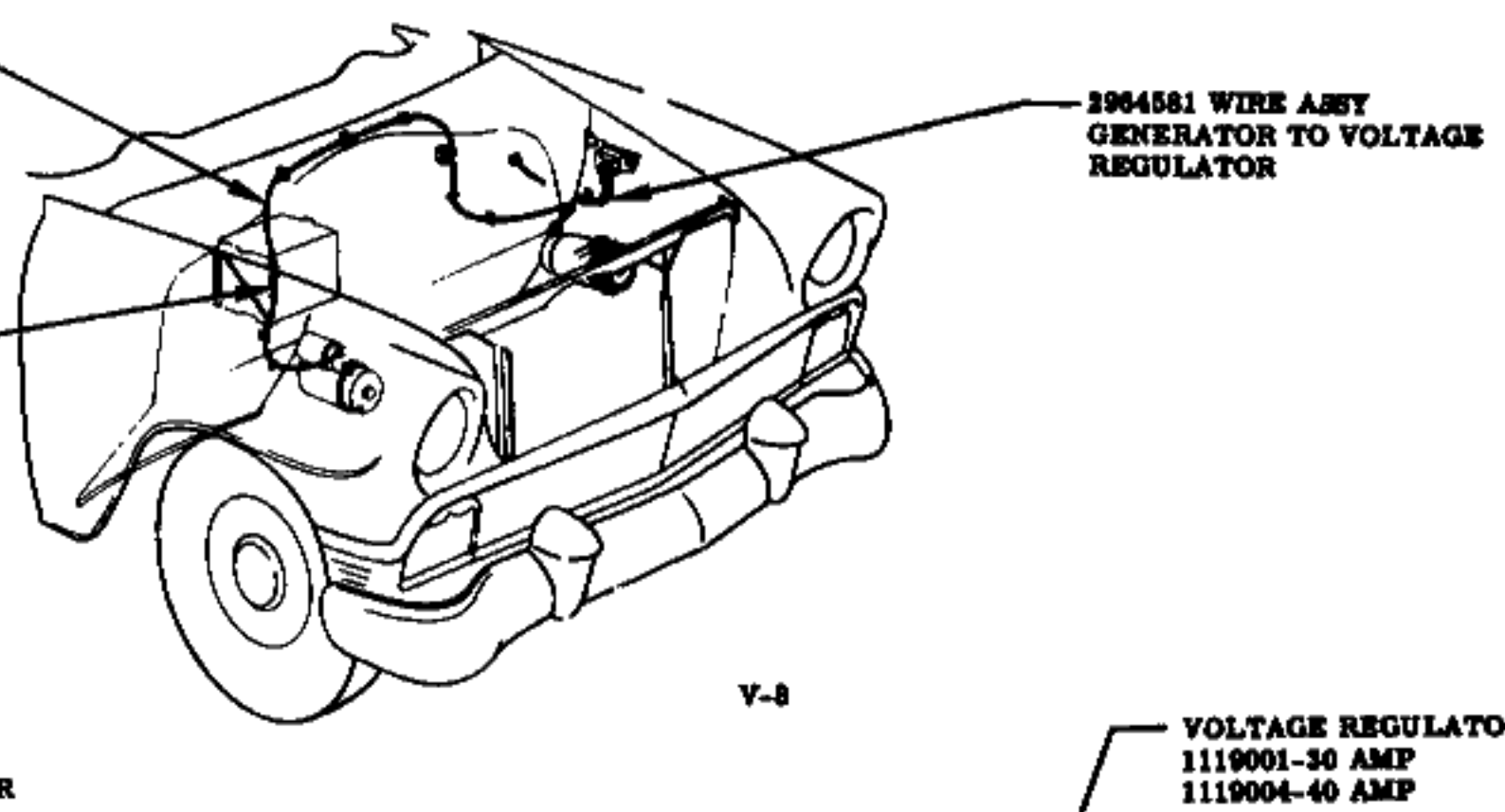
					NAME PASSENGER CAR INSTRUCTION MANUAL				
					REF.	DRAWN	CHECKED F	R.P.O.	SHEET
6-11-56	5	REDRAWN & REVISED	1376	F	DATE	PART No.	324	5.00	
DATE	SYM.	REVISION RECORD	AUTH.	DR.	CK.	7-25-55	3726600		



DATE	SYM.	REVISION RECORD	AUTH.	DR.	CK.	NAME	REF.	DRAWN	CHECKED	R.P.O.	SHEET
	4	STAKE NOTE REMOVED				PASSENGER CAR INSTRUCTION MANUAL					
6-4-56	3	WAS 1 NUT	1437								
10-18-55	2	WAS 3681716									
10-10-55	1	271290 OPT ADDED	2486								
						DATE		PART No.			
						7-26-55		3726600			
										324	6.00

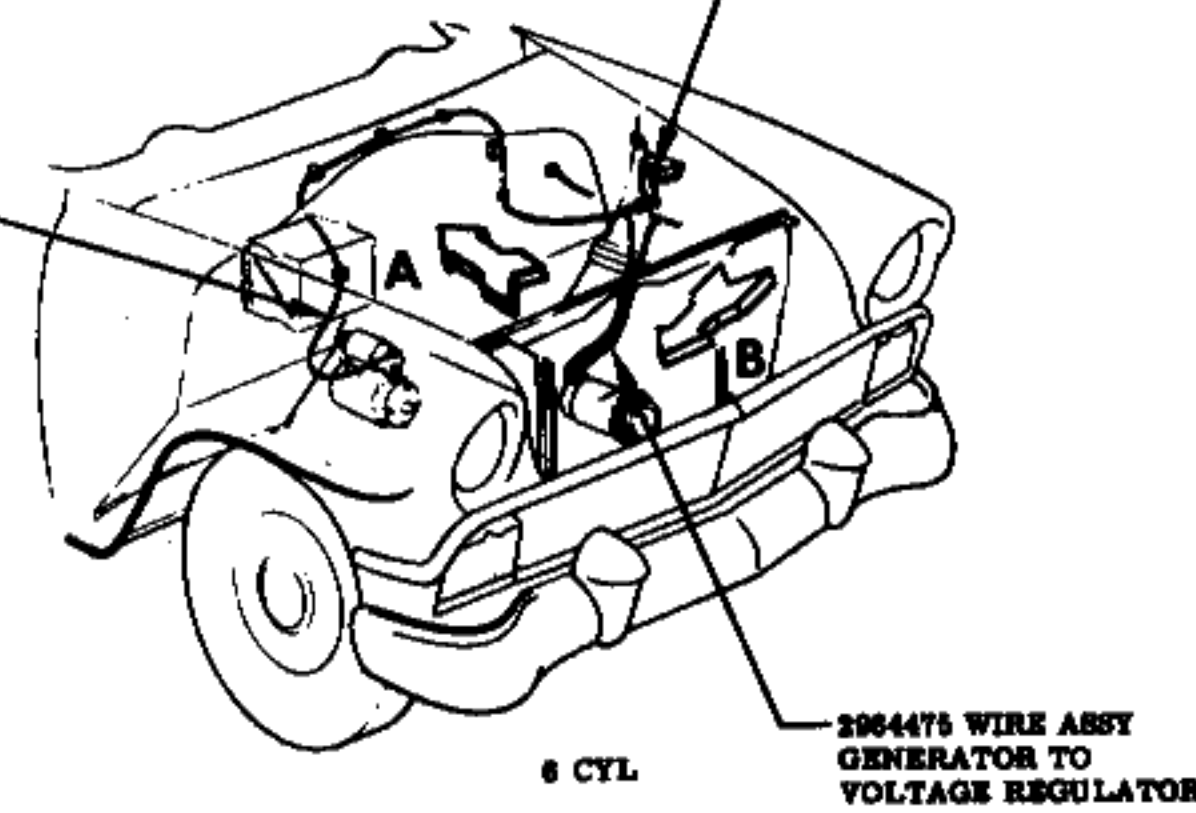


WIRING DIAGRAM SHEET 1.00

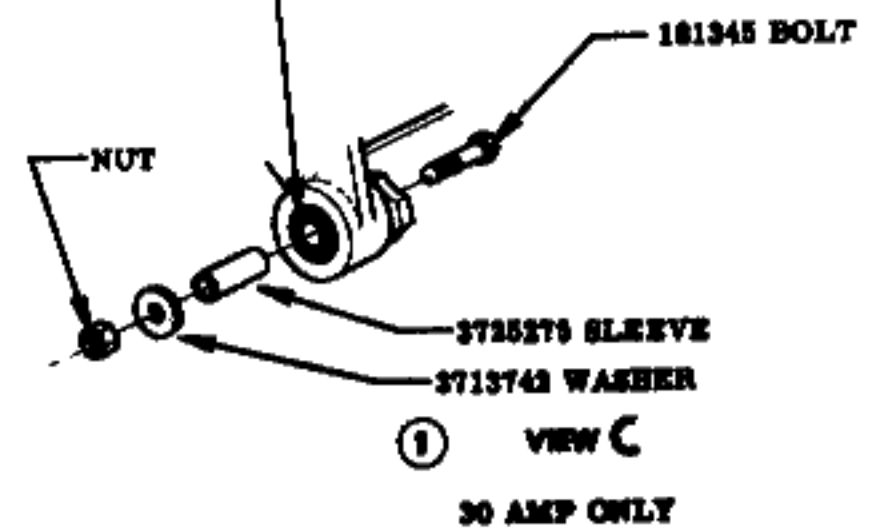


2964474 WIRE ASSY STARTER MOTOR TO VOLTAGE REGULATOR

2964473 WIRE ASSY STARTER MOTOR TO VOLTAGE REGULATOR



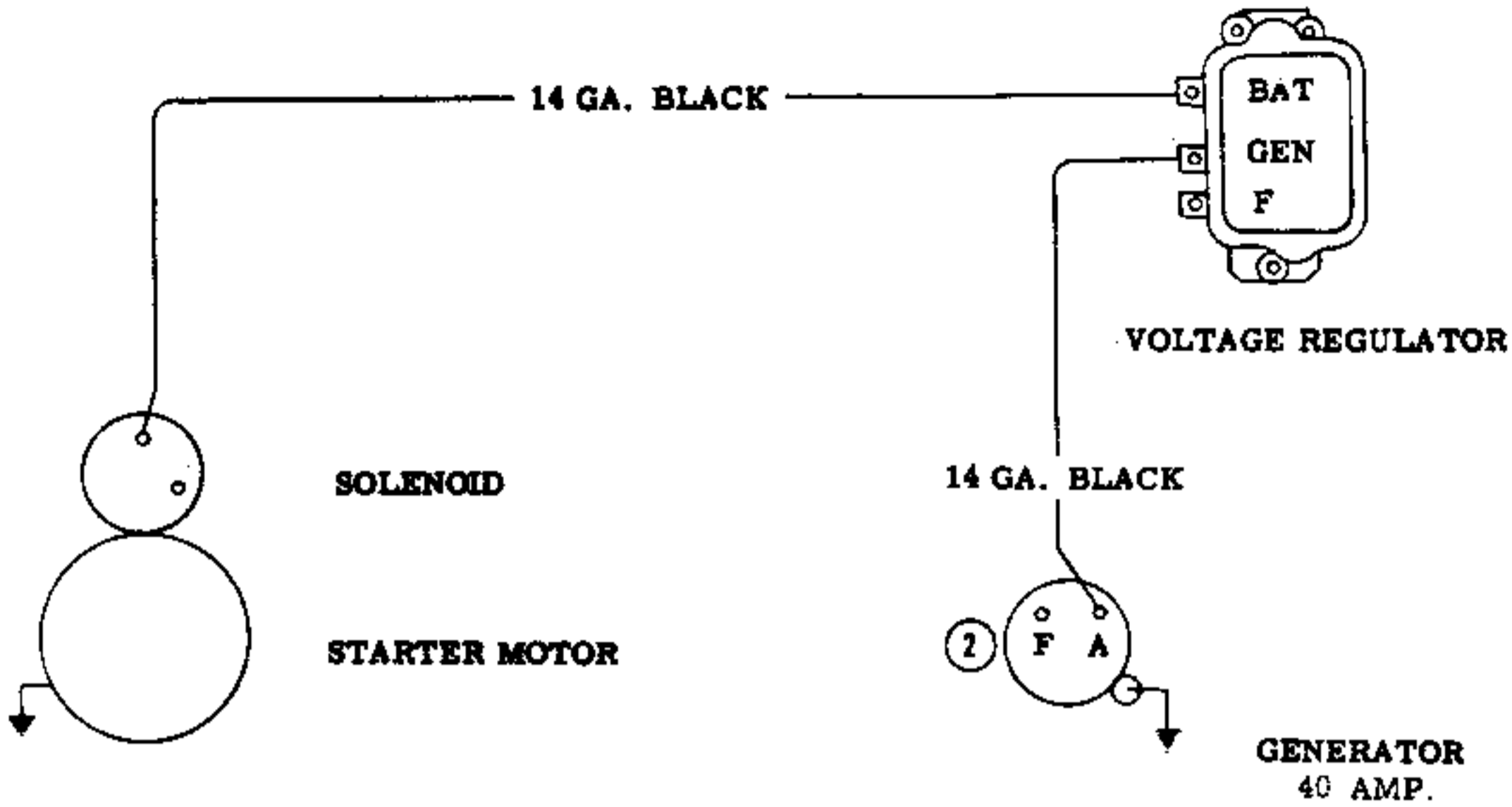
3726425 BUSHING INSTALLED WITH END SURFACE FLUSH WITH FRONT FACE OF GENERATOR



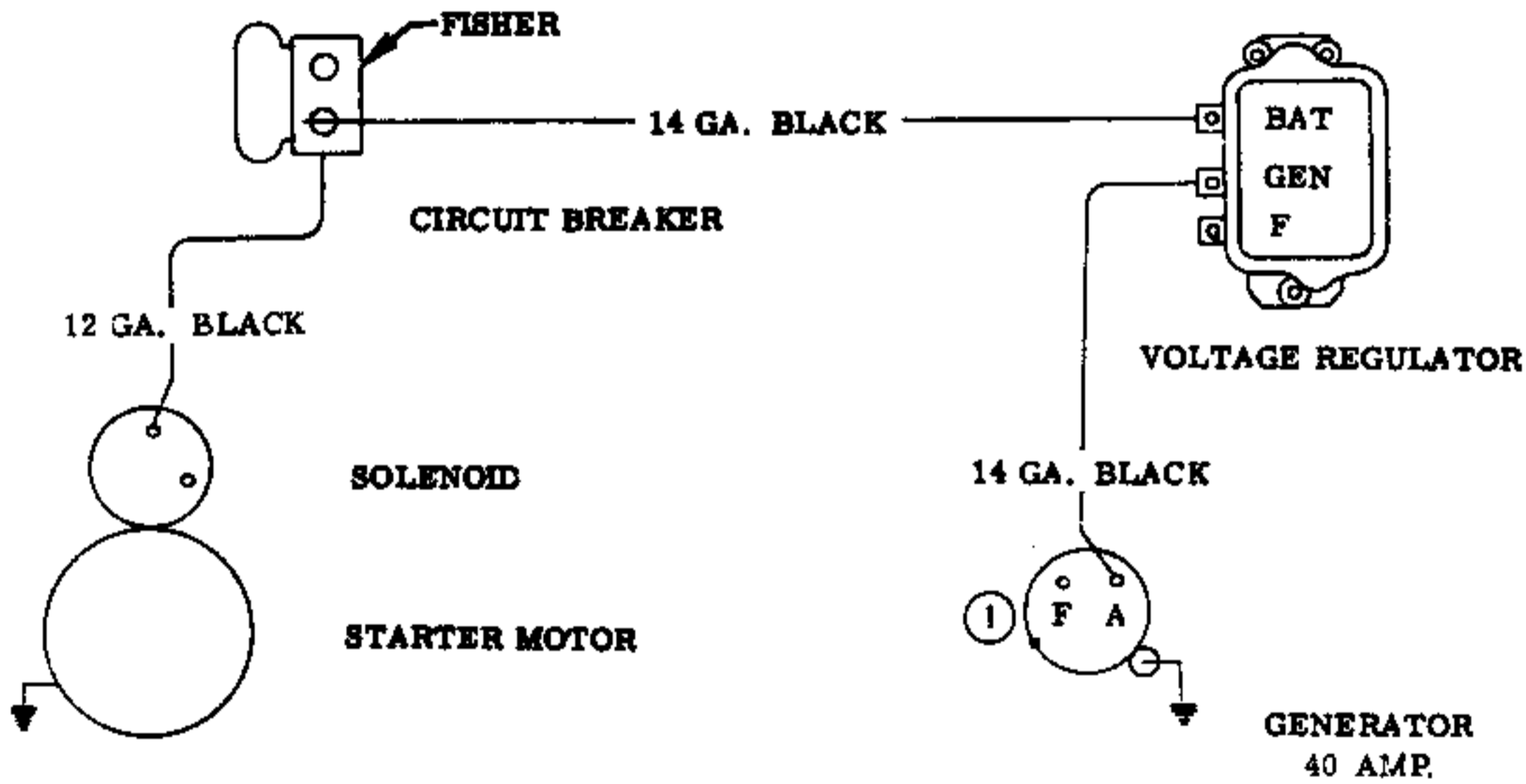
MODELS ALL

HEAVY DUTY GENERATOR

NAME		PASSENGER CAR INSTRUCTION MANUAL					
REV.	DATE	BY	CHKD	DATE	PART No.	325	1.00
8	VIEW ADDED						
6-4-54	REDRAWN						
DATE	SYN.	REVISION RECORD	AUTH.	DR.	CL.	1-26-54	3726400



REG PRODUCTION & R. P. O. 221



REG PRODUCTION & R. P. O. 221 WITH
R. P. O. 397 & (OR) R. P. O. 426

WIRING DIAGRAM

**MODELS
ALL**

					NAME PASSENGER CAR INSTRUCTION MANUAL				
					REF.	DRAWN	CHECKED	R. P. O.	SHEET
							0		
4-2-56	2	A & F REVERSED		F	DATE	PART No.	325 2.00		
	1	A & F REVERSED			7-25-55	3726600			
DATE	SYM.	REVISION RECORD	AUTH.	DR.	CK.				

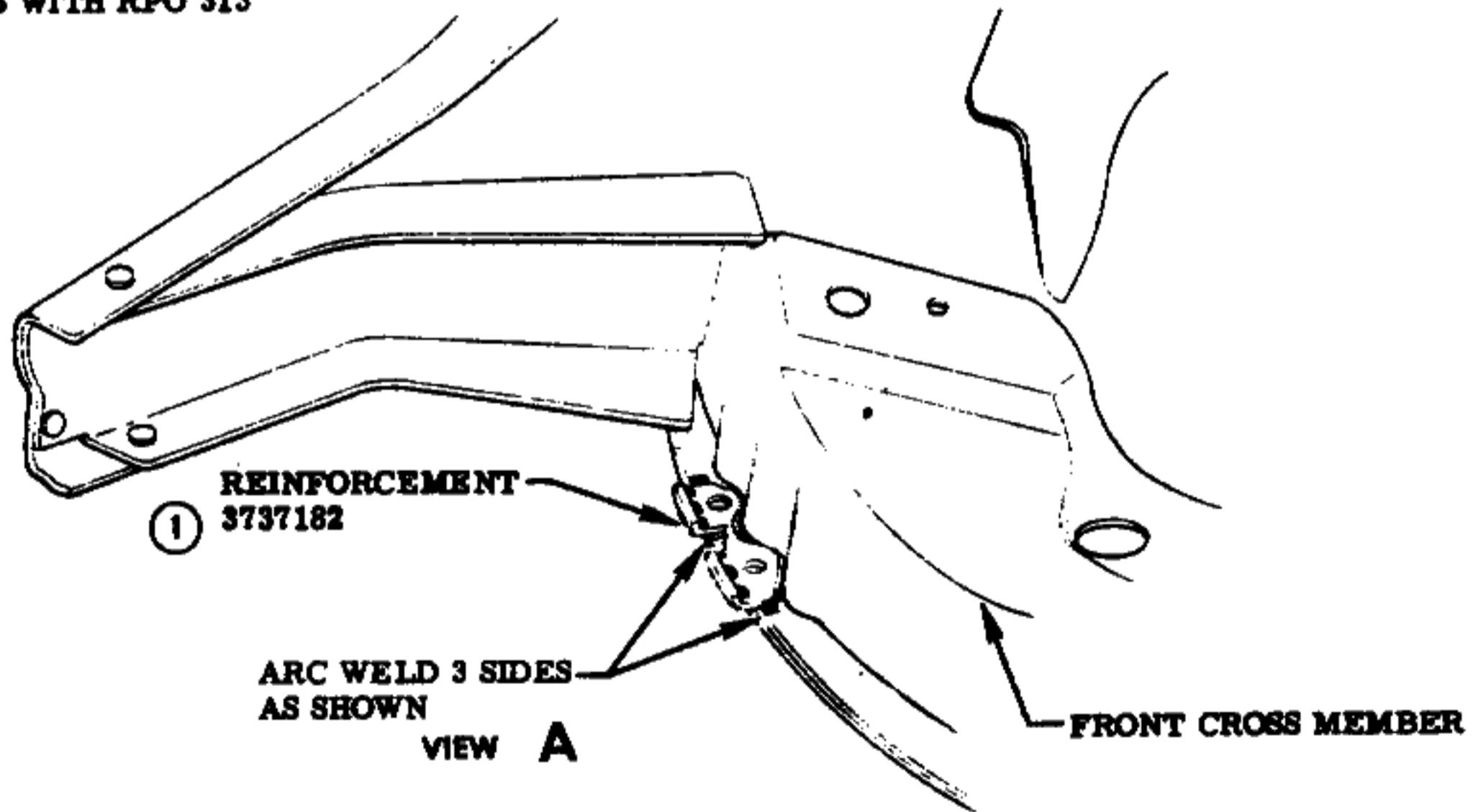
REAR SHOCK ABSORBER ASSY.
5524089

TRANSMISSION AND
EXTENSION ASSY.
3732074

REAR SPRING ASSY.
3721072

FRONT SHOCK ABSORBER ASSY.
5524088

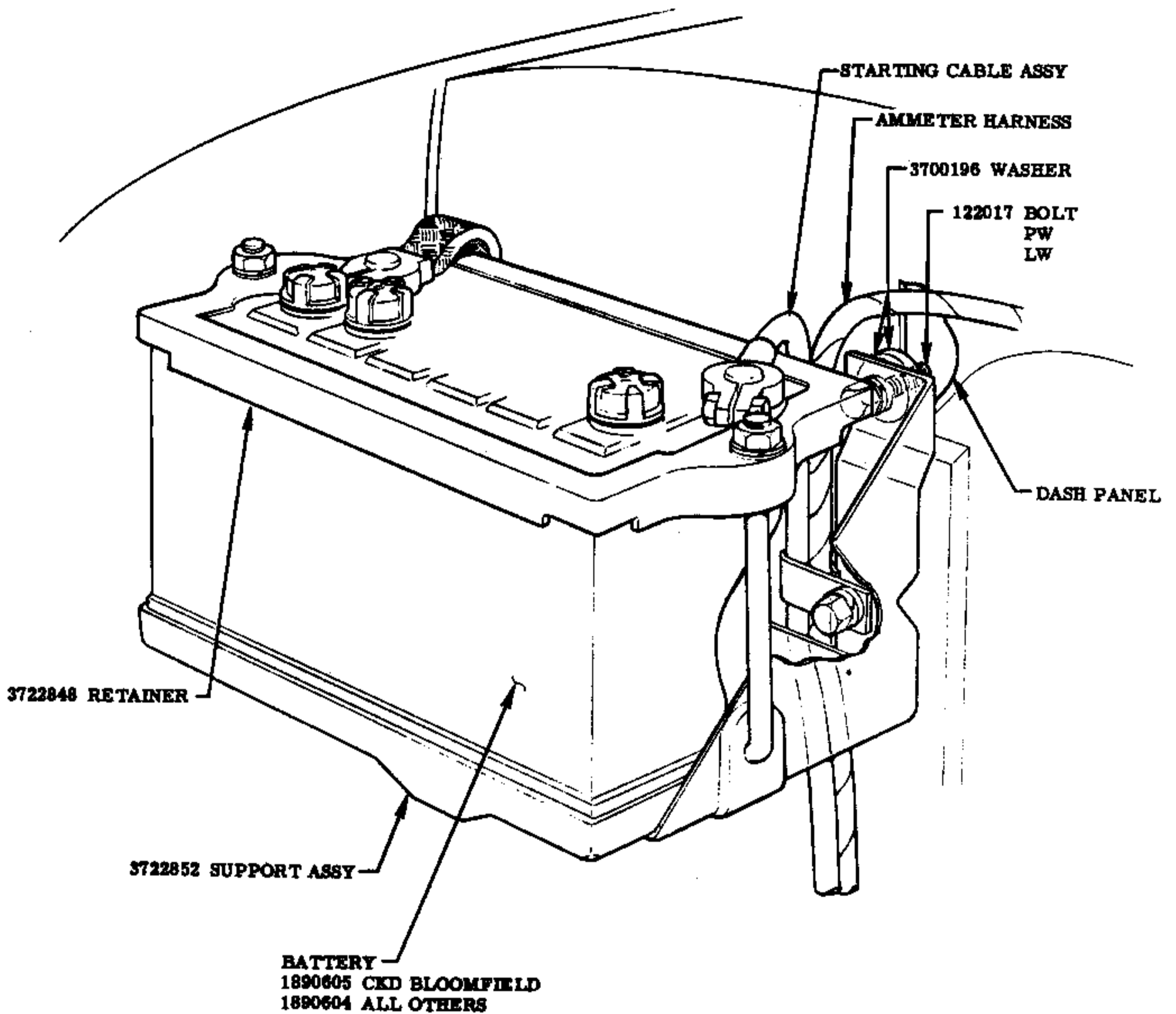
FRONT SPRING
3719736
3714506 WITH RPO 313



TAXI CAB EQUIPMENT INSTRUCTION

MODELS
1503-2103

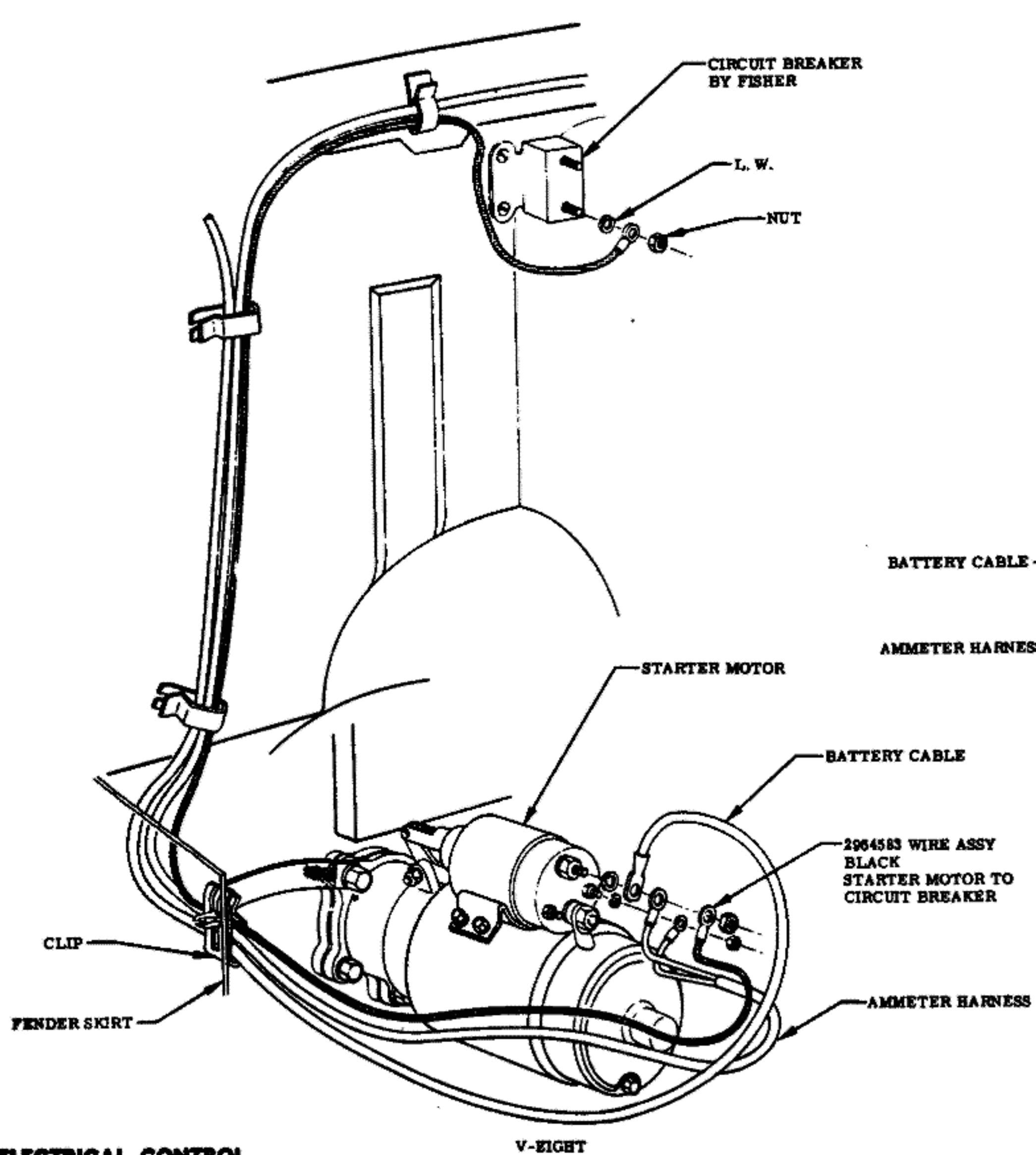
					NAME PASSENGER CAR INSTRUCTION MANUAL				
					REF.	DRAWN	CHECKED	R. P. O.	SHEET
					ECR 5431		F		
5-28-56	1	WAS 5731433	1422	F	DATE	PART No.		330	1.00
DATE	SYM.	REVISION RECORD	AUTH.	DR.	CK.	1-18-56	3726600		



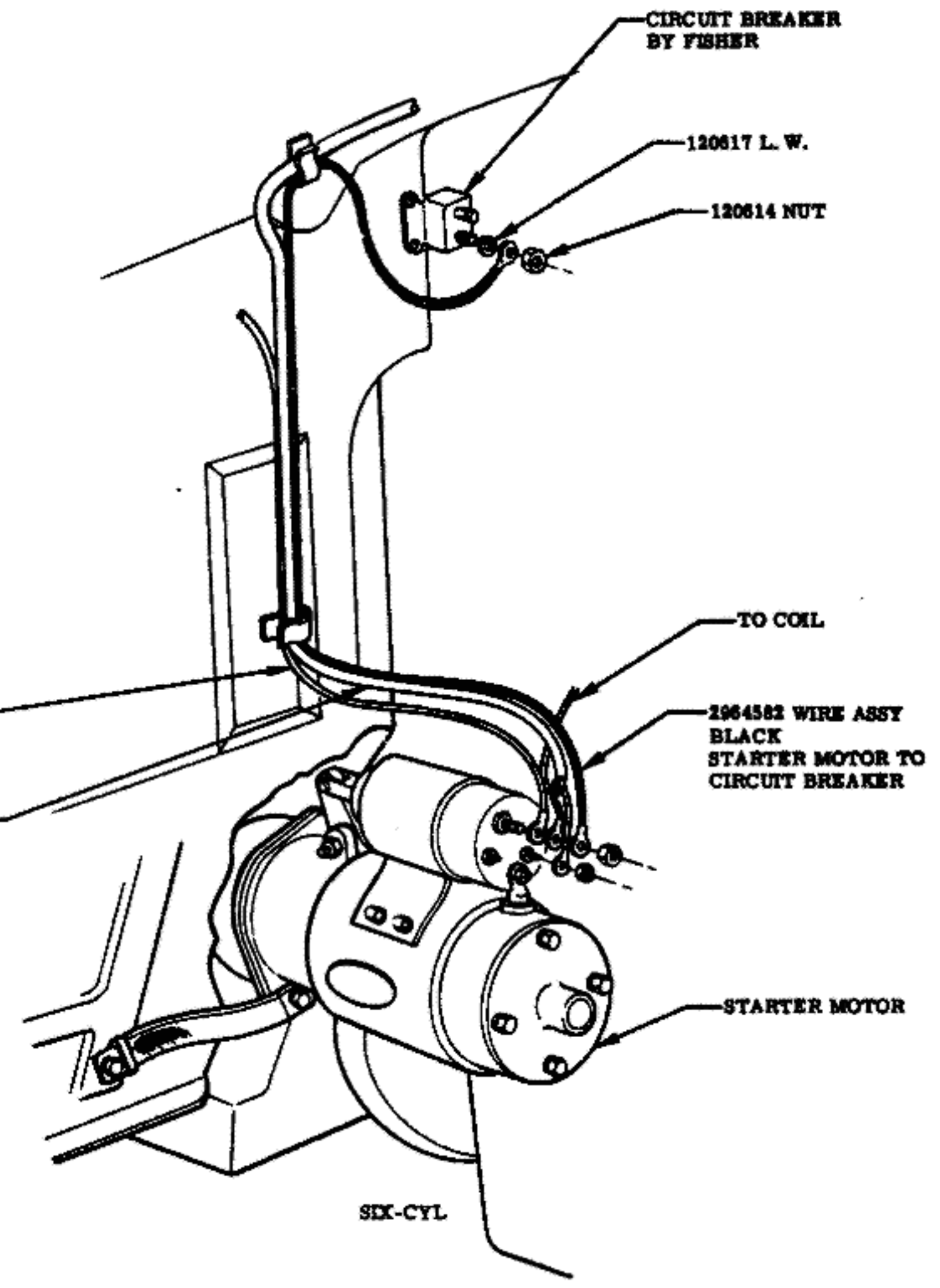
HEAVY DUTY BATTERY INSTRUCTION

MODELS
ALL LD

						NAME	PASSENGER CAR INSTRUCTION MANUAL				
						REF.	DRAWN	CHECKED	R.P.O.	SHEET	
						ECR 5141	KM	F			
						DATE	PART No.				
DATE	SYM.	REVISION RECORD	AUTH.	DR.	CK.	12-28-55	3726600			345	1.00



V-EIGHT



SIX-CYL

SEAT ELECTRICAL CONTROL INSTRUCTION

MODELS ALL

					NAME PASSENGER CAR INSTRUCTION MANUAL					
		REF.		DRAWN		CHECKED F		I. P. O.		SHEET
		DATE		PART No.		397		1.00		
DATE 57M		REVISION RECORD			AUTH. DR. CK.		7-25-55		3726400	

ENGINE ASSY.
 3836817 R.P.O. 221
 3836821 R.P.O. 450 & R.P.O. 221
 3836823 R.P.O. 221 (AUTOMATIC TRANSMISSION)
 3836825 R.P.O. 450 & R.P.O. 221 (AUTOMATIC TRANSMISSION)
 3836829 R.P.O. 221 (OVERDRIVE TRANSMISSION)
 3836831 R.P.O. 450 & R.P.O. 221 (OVERDRIVE TRANSMISSION)

FUEL & BRAKE LINE
 INSTRUCTION
 SHEET 6.00

CARBURETOR, AIR CLEANER &
 LINKAGE INSTRUCTION
 SHEET 2.00

3729970 CLUTCH
 PULL BACK SPRING

FUEL & BRAKE LINE
 INSTRUCTION
 SHEET 6.00

3729970 CLUTCH
 PULL BACK SPRING

1931385 RESISTOR

900018 CLUTCH RELEASE
 COLLAR & BEARING ASSY.

CARBURETOR AIR CLEANER &
 LINKAGE INSTRUCTION
 SHEET 2.01

1552719 CAP ASSY.
 3705024 TUBE

EXHAUST INSTRUCTION
 SHEET 4.00 ALL EXCEPT CONV.
 SHEET 5.00 CONVERTIBLE

900018 CLUTCH RELEASE
 COLLAR & BEARING ASSY.

CARBURETOR LINKAGE
 ADJUSTMENT INSTRUCTION
 SHEET 3.00

ENGINE ASSY
 3732751 R.P.O. 221
 (3 SPEED TRANS.)
 (OVERDRIVE)
 3732749 R.P.O. 221
 (AUTO. TRANS.)

FUEL PIPES, ELECTRICAL
 & RADIATOR INSTRUCTION
 SHEET 3.01

3713974 PULLY

CARBURETOR LINKAGE
 ADJUSTMENT INSTRUCTION
 SHEET 3.00

EXHAUST INSTRUCTION
 SHEET 4.00 ALL EXCEPT CONV.
 SHEET 5.00 CONVERTIBLE

OIL FILTER
 SEE R.P.O. 237

MODELS

RPO 410-ALL
 RPO 411
 ALL EXCEPT
 SEDAN DELIVERY

3738437 BELT

RPO 411

3711786 PULLEY & FAN ASSY



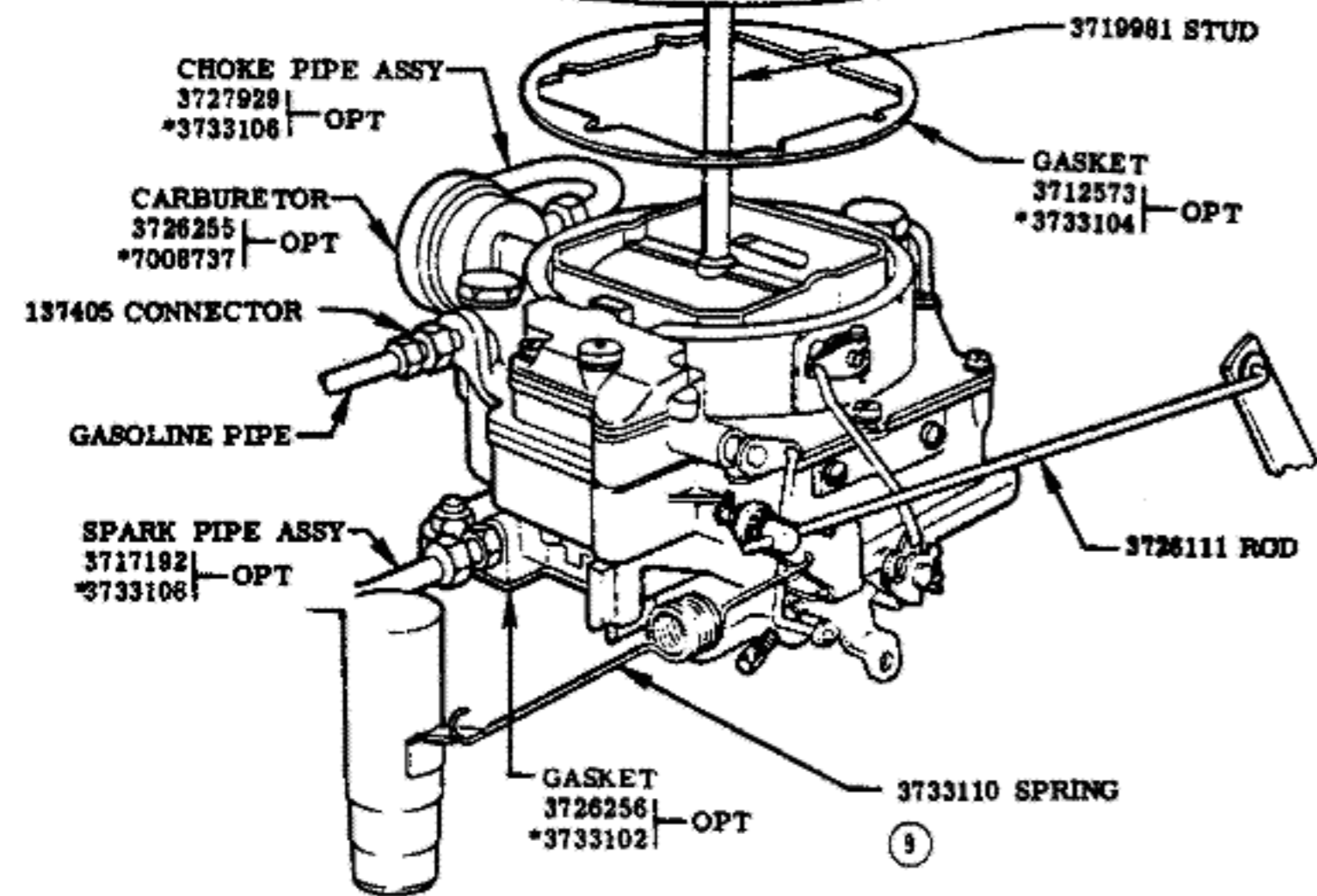
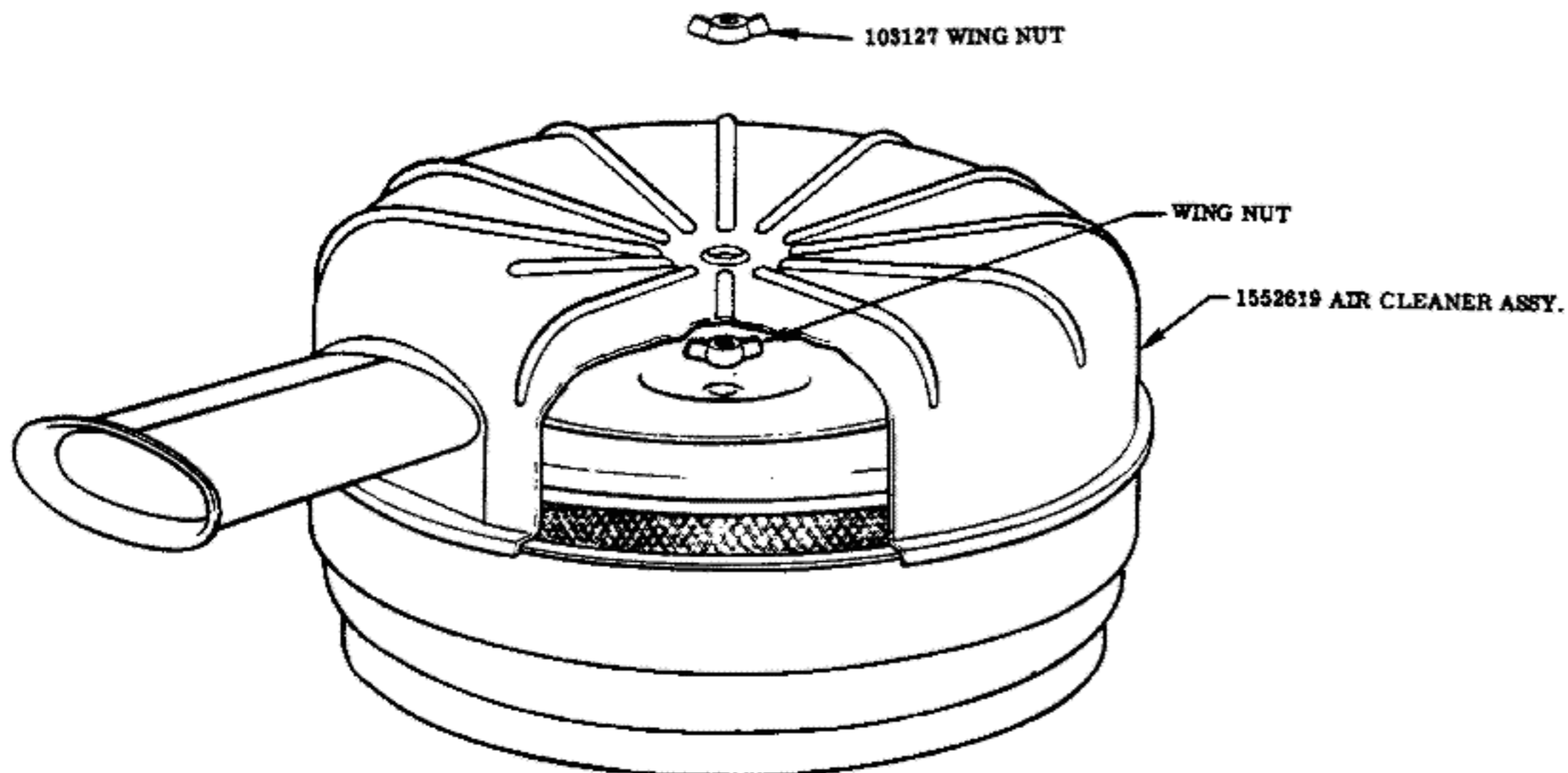
.25 MINIMUM CLEARANCE
 BETWEEN EXHAUST PIPE
 & UPPER CONTROL ARM

VIEW A

RPO 410

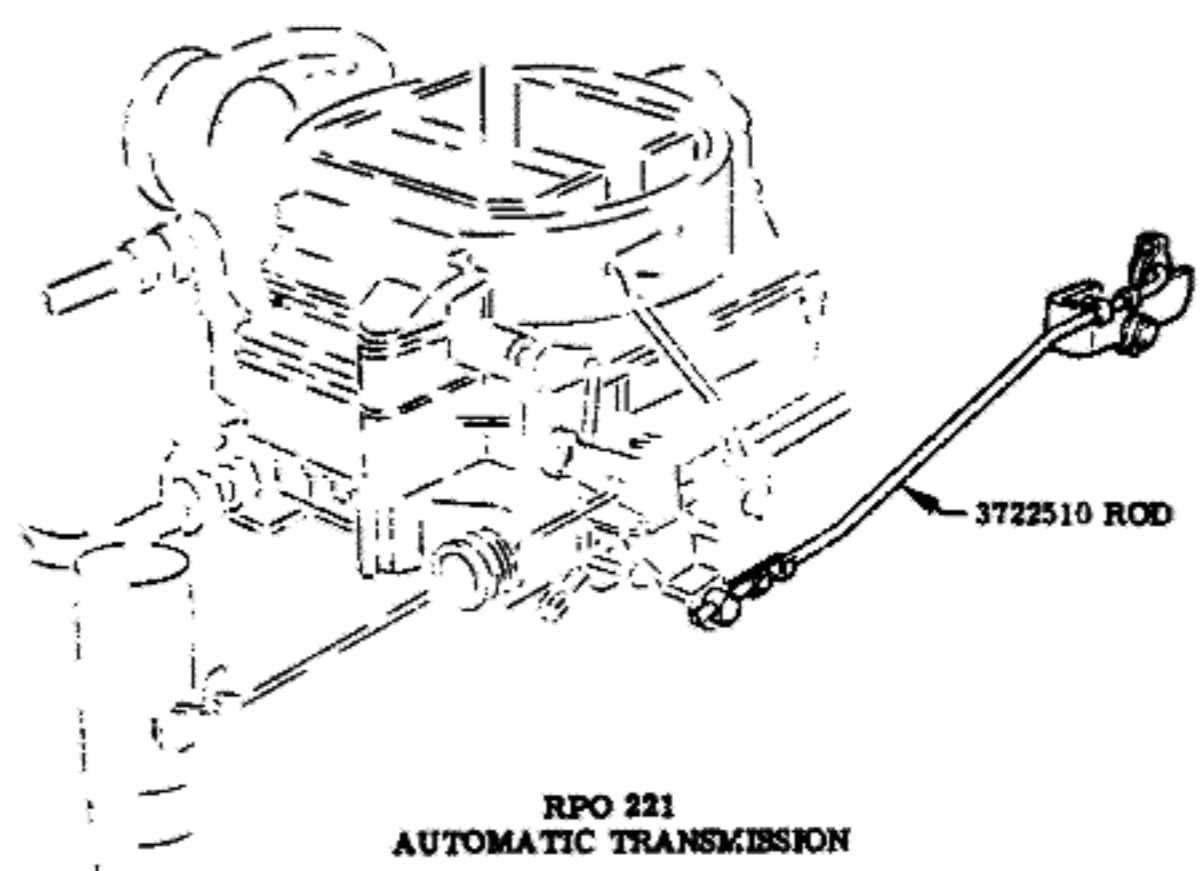
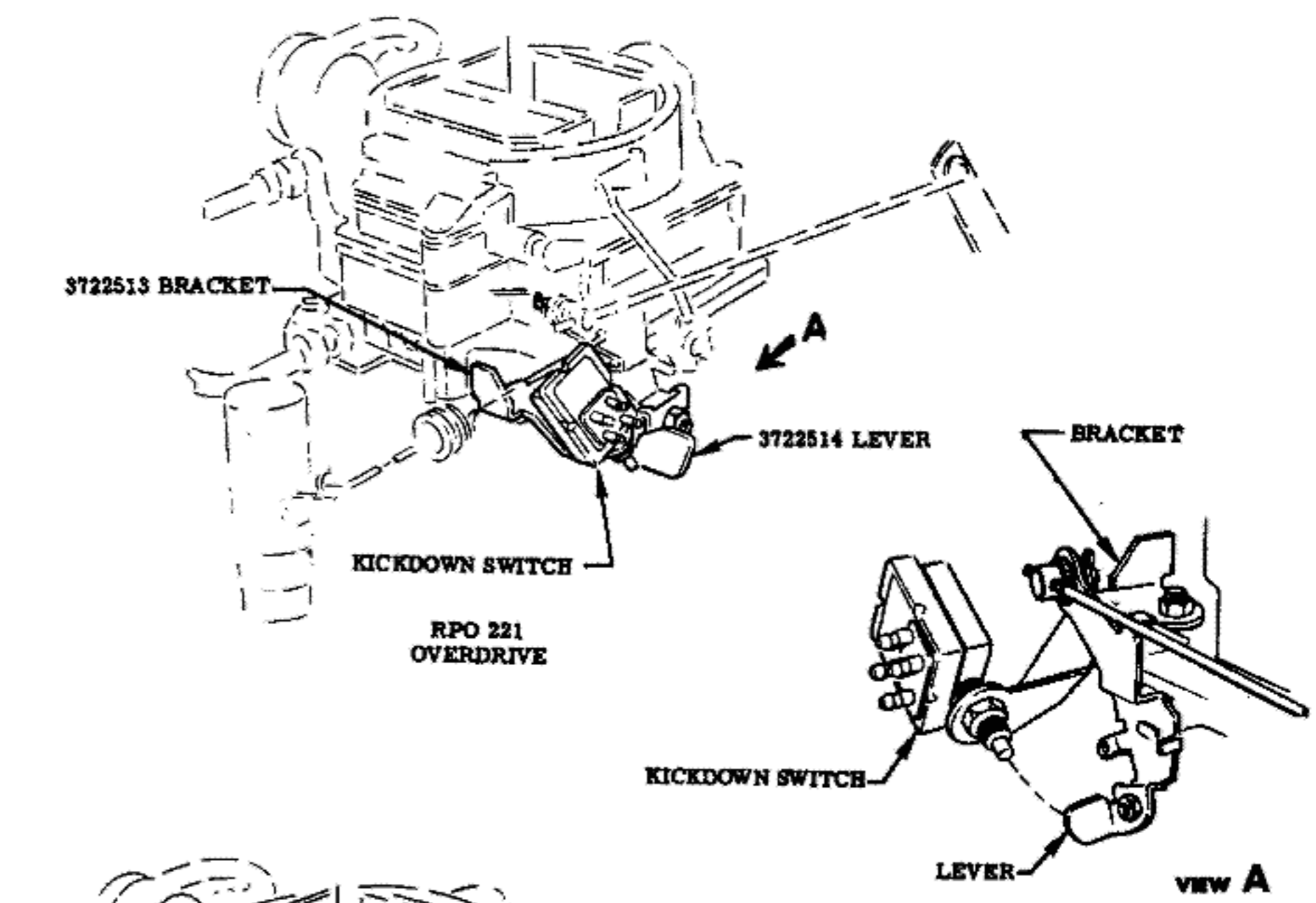
**SINGLE & DUAL FOUR BARREL
 CARBURETOR INSTRUCTION**

NAME PASSENGER CAR INSTRUCTION MANUAL					
REF.	DRAWN	CHECKED	R.P.O.	SHEET	
8-11-56 11	REDRAWN & REVISED	9358	1324	V	F
DATE	57M.	REVISION RECORD	AUTH.	DR.	CK.
8-1-55					
			PART No. 3726600		
				410	1.00
				411	



NOTE
 *USED WITH CARBURETOR 7008737
 FOR AUTOMATIC
 TRANSMISSIONS ONLY

CARBURETOR, AIRCLEANER & LINKAGE INSTRUCTION



MODELS
 RPO 410
 ALL

2-27-56	9	3724629 & OPT REMOVED	7430	F	NAME PASSENGER CAR INSTRUCTION MANUAL				
	8	"AND CONVENTIONAL" RMD.	6721	F	REF.	DRAWN	CHECKED	R.P.O.	SHEET
	7	TITLE REVISED					F	410	2.00
	6	WAS R. P. O. "410 ONLY"			DATE	PART No.		411	
2-6-56	5	REDRAWN	5380		B-1-55	3726600			
DATE	SYM.	REVISION RECORD	AUTH.	DR.	CK.				

3 SPEED ADJUSTMENT

RPO 410

1. WITH ACCELERATOR ROD (A) POSITIONED AS SHOWN ADJUST ROD (B) TO GIVE WIDE OPEN THROTTLE.

RPO 411

MAKE ADJUSTMENTS ON REAR CARBURETOR SAME AS RPO 410. THEN ADJUST ROD (L) TO GIVE WIDE OPEN THROTTLE ON FRONT CARBURETOR

OVERDRIVE ADJUSTMENT

RPO 410

1. WITH ACCELERATOR ROD (A) POSITIONED AS SHOWN ADJUST ROD (B) TO GIVE WIDE OPEN THROTTLE. ADJUST SWITCH (C) SO THAT ACTUATING LEVER (D) AT FULL THROTTLE POSITION RESTS AGAINST END OF THREADED BARREL OF SWITCH.

RPO 411

1. MAKE ADJUSTMENTS ON REAR CARBURETOR SAME AS RPO 410. THEN ADJUST ROD (L) TO GIVE WIDE OPEN THROTTLE ON FRONT CARBURETOR.

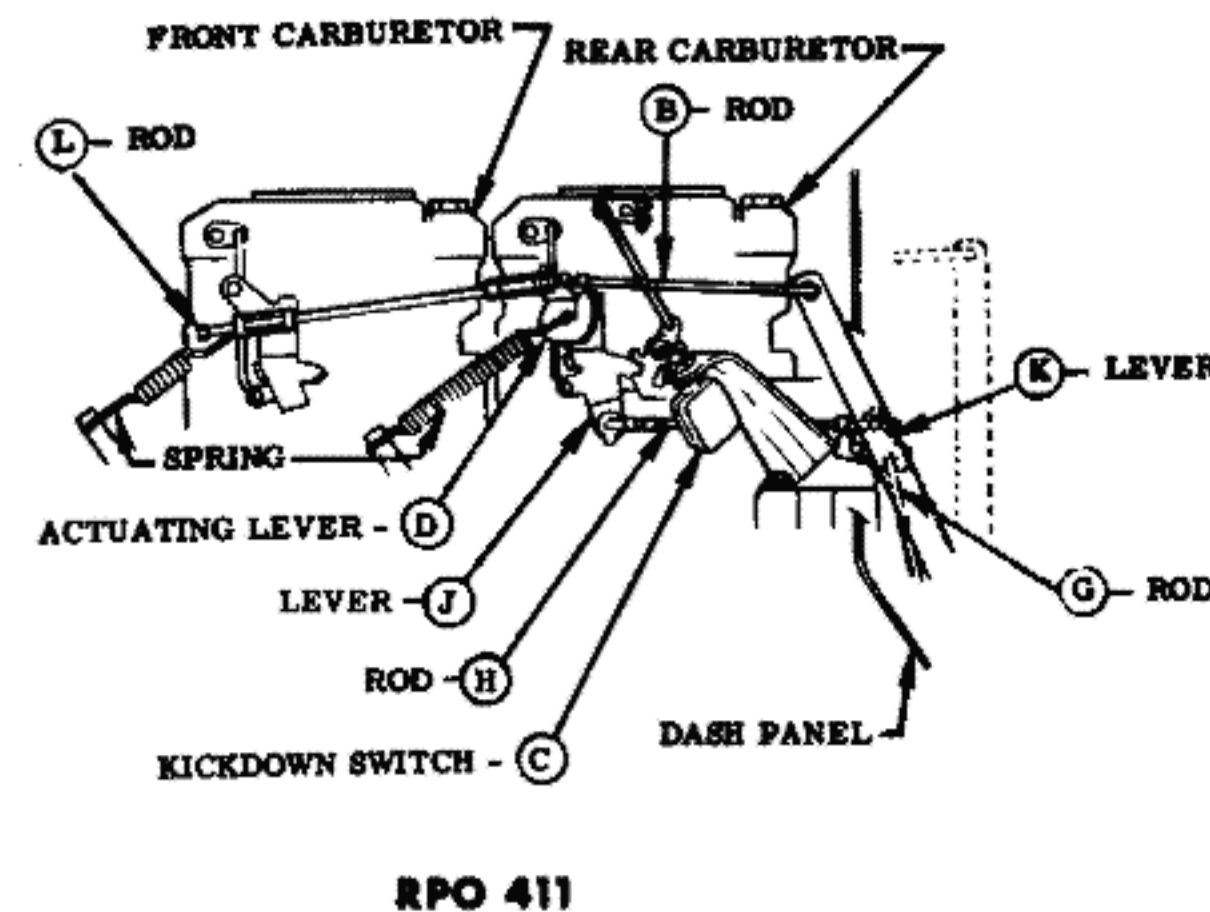
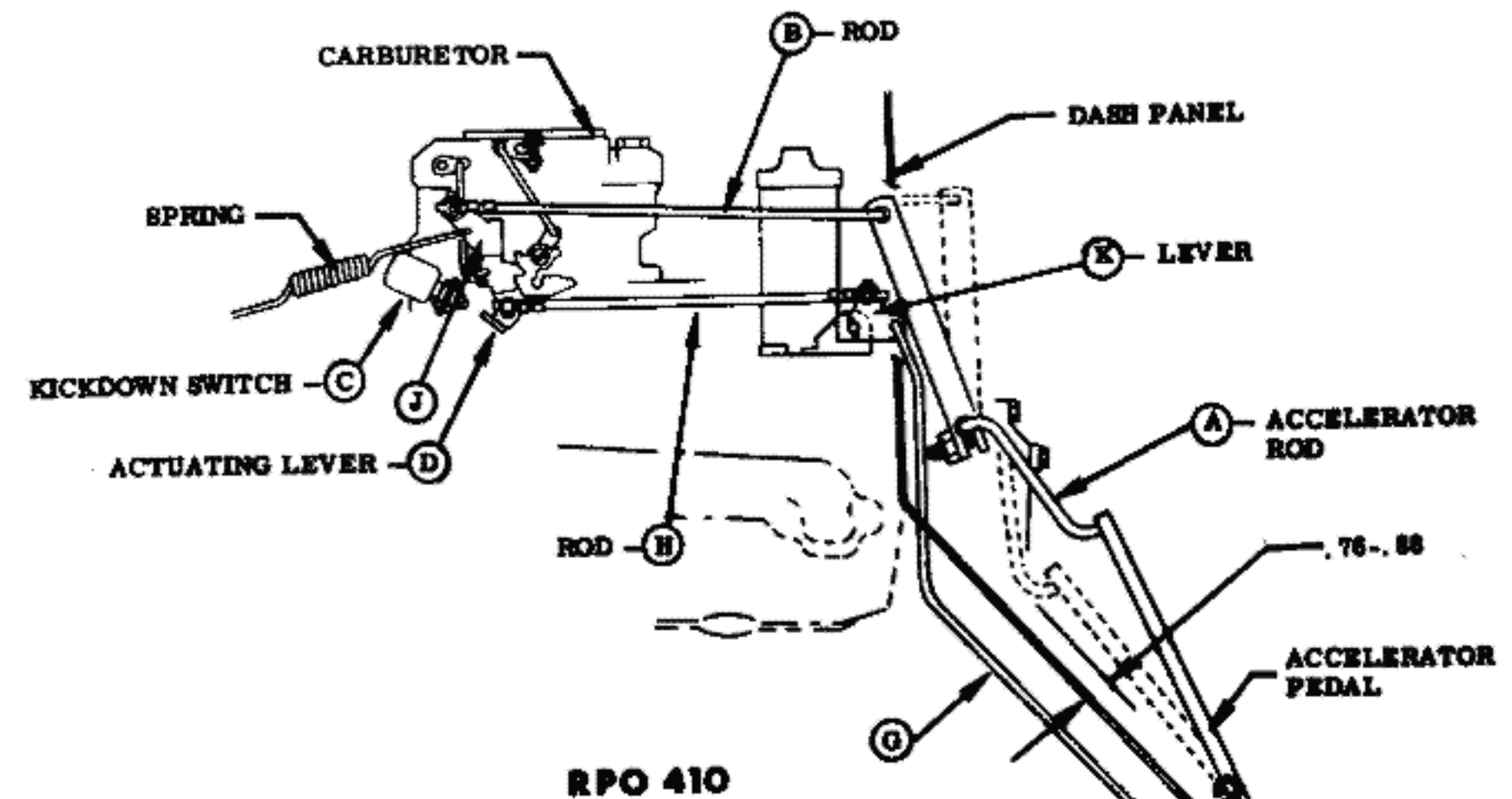
AUTOMATIC TRANSMISSION ADJUSTMENT

RPO 410

1. LOOSELY ASSEMBLE LEVER (E) TO CLAMP (F).
2. INSERT GAUGE BETWEEN TRANSMISSION LEFT HAND SIDE COVER LOWER REAR BOLT & LOWER HOLE IN LEVER (E) 2.88 DIMENSION BETWEEN BOLT & HOLE CENTERLINES WITH GAUGE IN PLACE, AND HOLDING CLAMP (F) COUNTER CLOCKWISE IN FULL DETENT POSITION, TIGHTEN LEVER (E) TO CLAMP (F) REMOVE GAUGE.
3. INSTALL ROD (G).
4. INSTALL ROD (H) IN CARBURETOR. PLACE LEVER (J) IN WIDE OPEN POSITION & PULL ROD (G) UPWARD UNTIL IT IS STOPPED BY TRANSMISSION INTERNAL STOP. ADJUST SWIVEL IN ROD (H) FOR EASY ENTRANCE IN LEVER (K) BEFORE FIXING SWIVEL IN LEVER (K).
5. CHECK ADJUSTMENT BY PLACING LINKAGE IN IDLE POSITION, THEN RETURNING TO WIDE OPEN POSITION BY ROTATING LEVER (J) PUSH UPWARD ON LEVER (E) AND NOTE IF ROD DEFLECTS, MEANING TRANSMISSION IS NOT ON INTERNAL STOP. IF ROD DEFLECTS OR LEVER (E) WILL NOT REACH WIDE OPEN POSITION, REPEAT ADJUSTMENT 4.
6. WITH ACCELERATOR PEDAL DEPRESSED, PLACING LOWER POINT ON ACCELERATOR ROD (A) .76-.88 ABOVE TOE PANEL, & LEVER (J) ROTATED TO WIDE OPEN POSITION, ADJUST SWIVEL IN ROD (B) FOR FREE ENTRY OF ROD (B) INTO LEVER (J) BEFORE FIXING ROD (B) TO LEVER (J).
7. CHECK ADJUSTMENT BY RELEASING, THEN DEPRESSING ACCELERATOR PEDAL. CHECK LEVER (J) FOR WIDE OPEN POSITION. IF LEVER (J) WILL NOT REACH WIDE OPEN POSITION, REPEAT STEP 6.

RPO 411

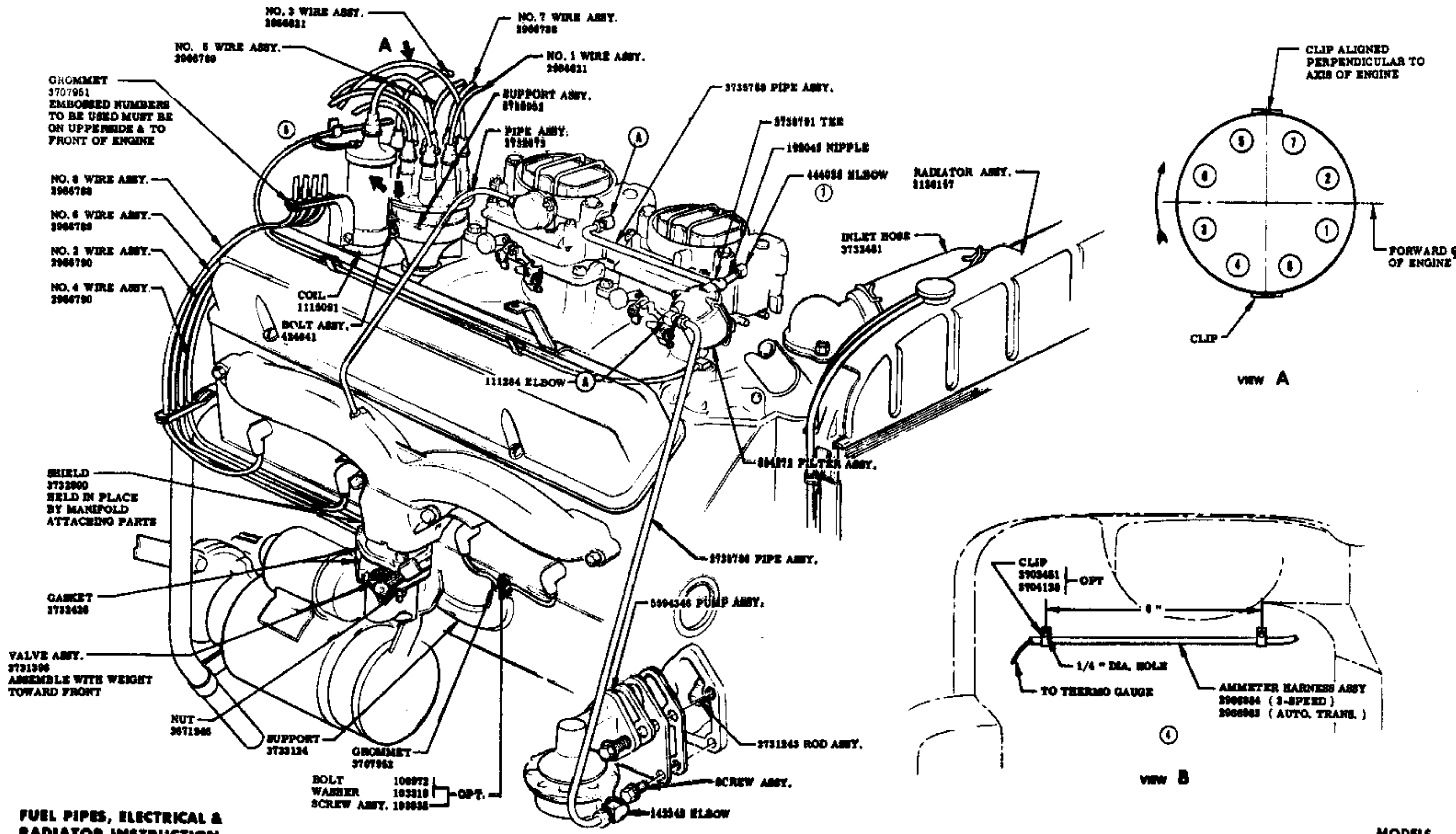
MAKE ADJUSTMENTS ON REAR CARBURETOR SAME AS RPO 410. THEN ADJUST ROD (L) TO GIVE WIDE OPEN THROTTLE ON FRONT CARBURETOR.



CARBURETOR LINKAGE ADJUSTMENT INSTRUCTION

MODELS
RPO 410-ALL
RPO 411
9 ALL EXCEPT
SEDAN DELIVERY

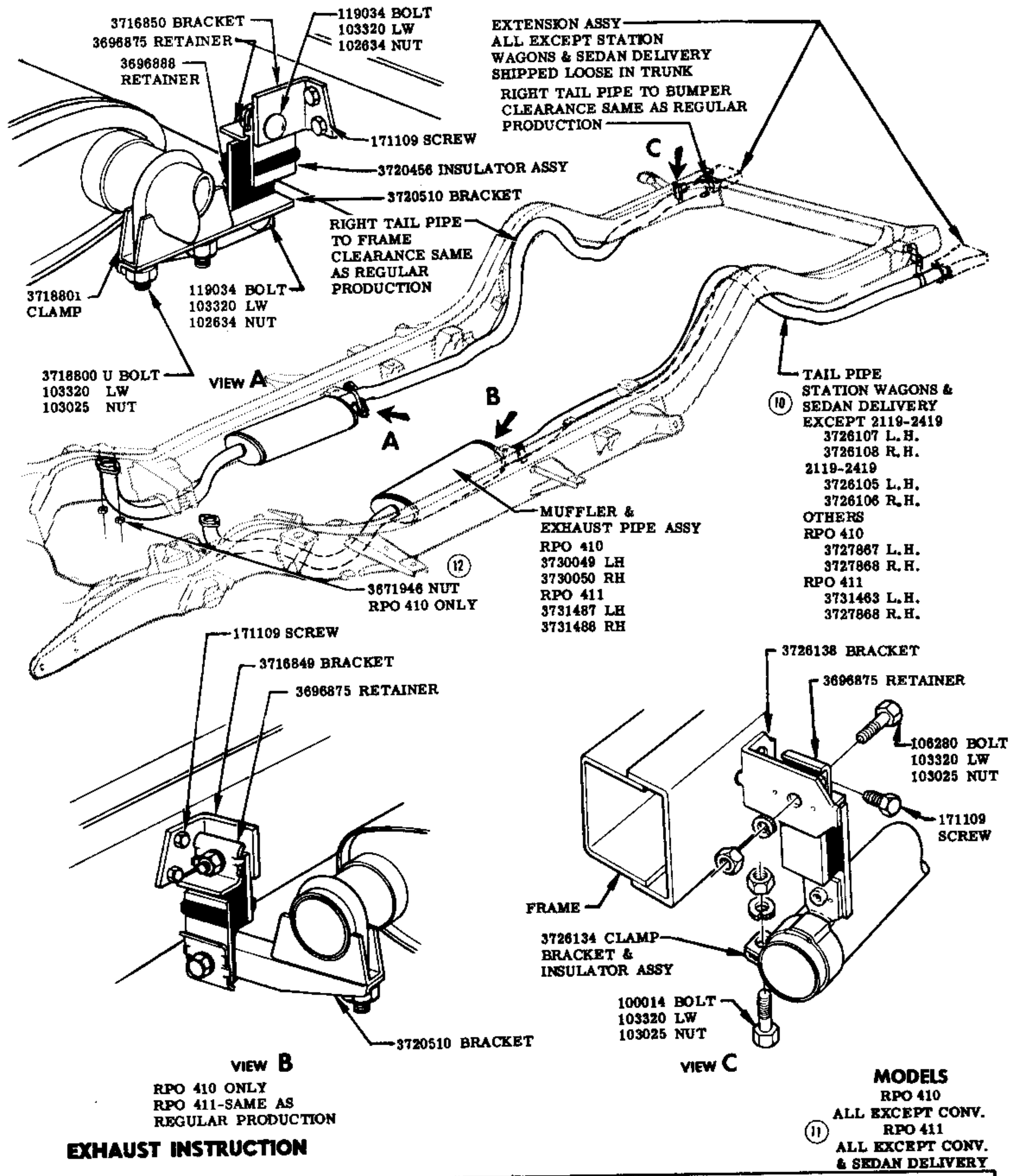
NAME PASSENGER CAR INSTRUCTION MANUAL						
DATE	SYM.	REVISION RECORD	AUTH.	DR.	CK.	SHEET
	9	RPO 411 MODELS REVISED		V	F	REF.
	8	NOTE ADDED				DRAWN
6-11-56	7	REDRAWN	9358			CHECKED
						F
						R. P. O.
						410
						411
						3726600
						3.00



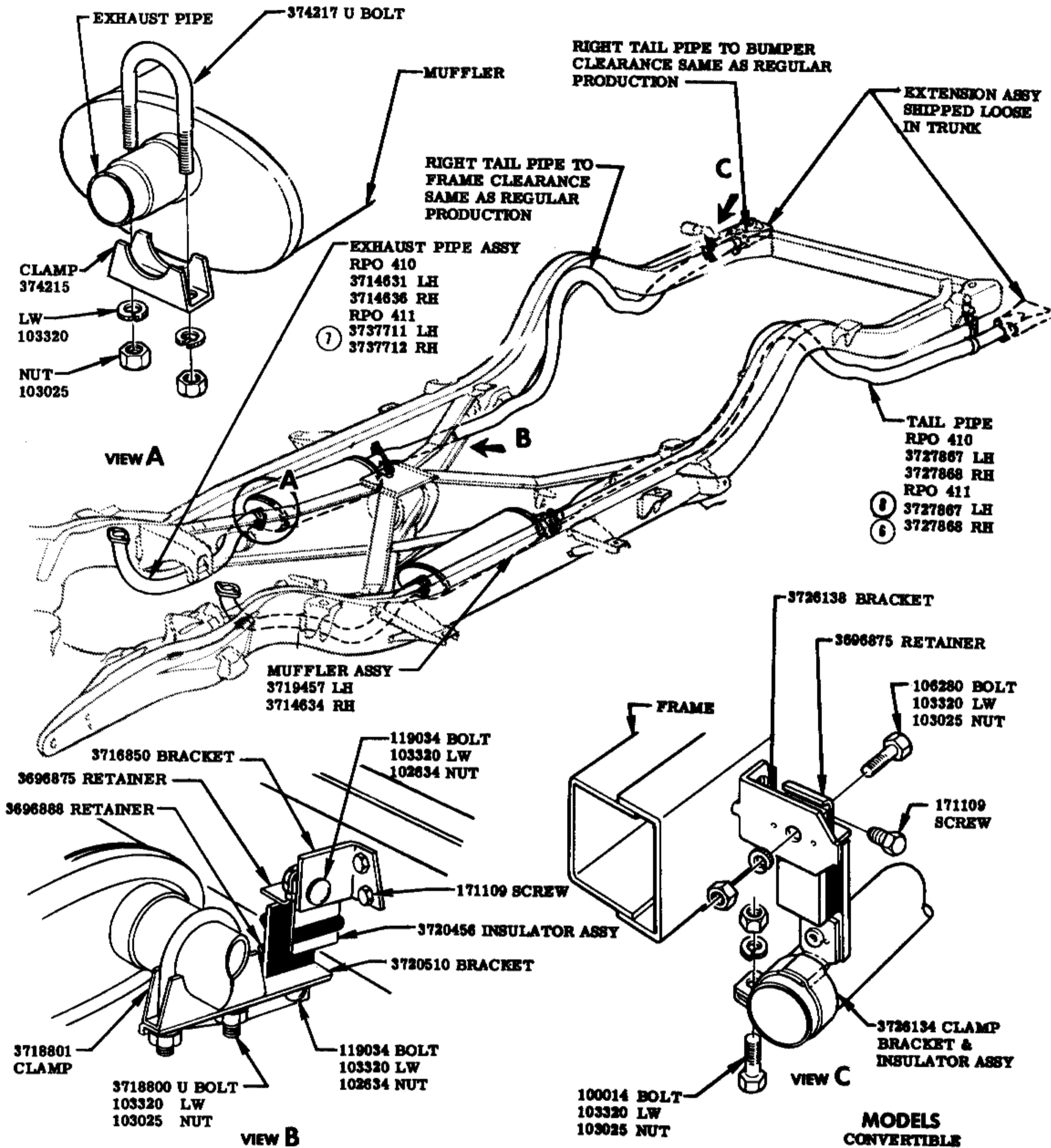
FUEL PIPES, ELECTRICAL & RADIATOR INSTRUCTION

MODELS
 RPO 411
 ① ALL EXCEPT
 SEDAN DELIVERY

		REV.	Y	V	Y	DATE	PASSENGER CAR INSTRUCTION MANUAL					
1	VAR 444939											
2	MODELS REVISED											
3	VIEW REVISED											
4	VIEW ADDED											
5-11-56	2	RE-DRAWN					6300	DRAWN	CHORD	R.F.O.	SHEET	
DATE	REV.	REVISION REASON	APP.	DR.	CL.	3-4-56		V	Y	410	3.01	
										411		
								PART No.	3726400			

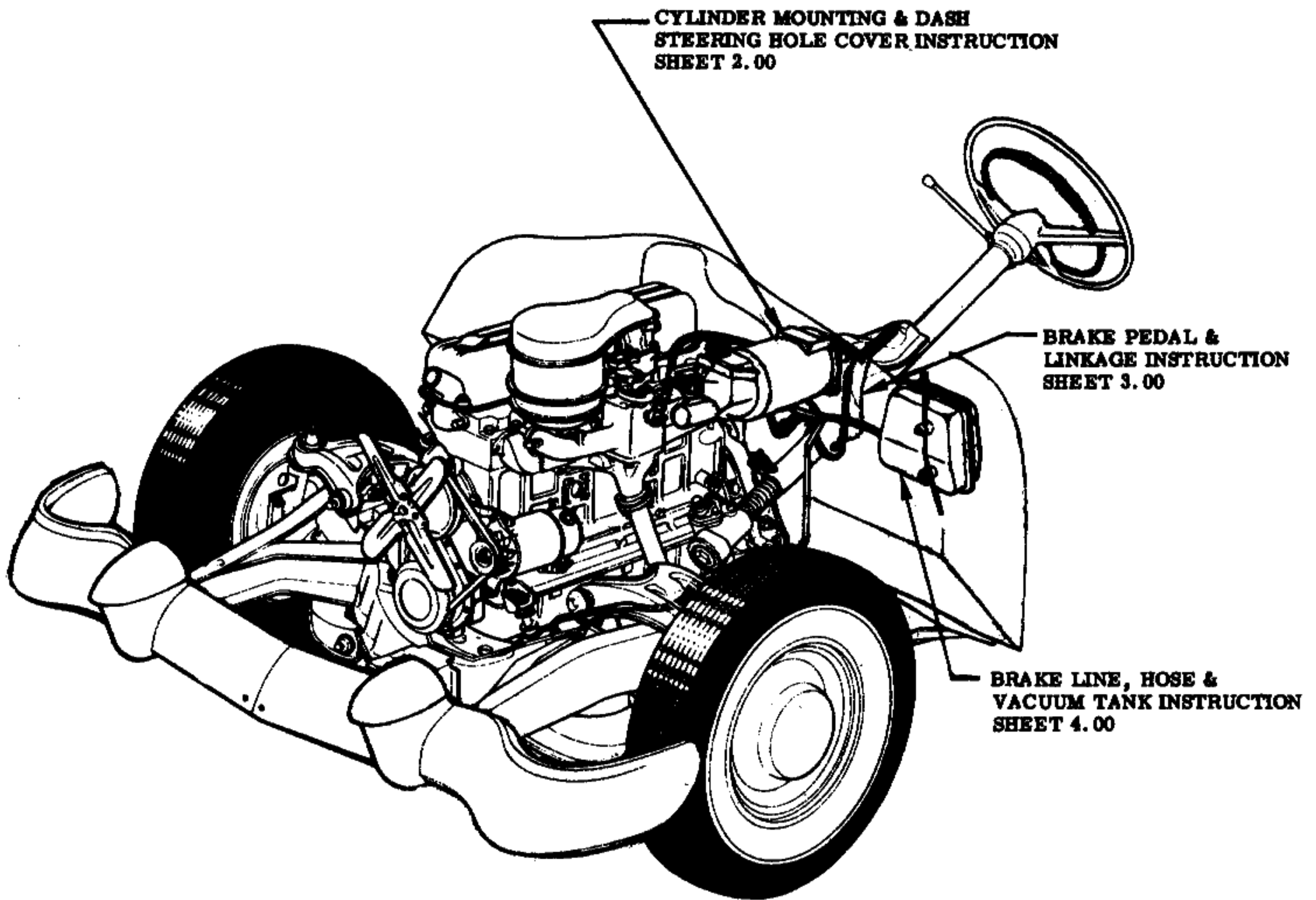


REVISION RECORD					PASSENGER CAR INSTRUCTION MANUAL					
DATE	SYM.	REVISION RECORD	AUTH.	DR.	CK.	NAME	DRAWN	CHECKED	R. P. O.	SHEET
	12	NO. ADDED			V	F				
	11	RPO 411 MODELS REVISED								
	10	NOTE REVISED								
6-11-56	9	REDRAWN	9358			DATE	PART No.		410	4.00
						9-1-55	3726600	F	411	



EXHAUST INSTRUCTION

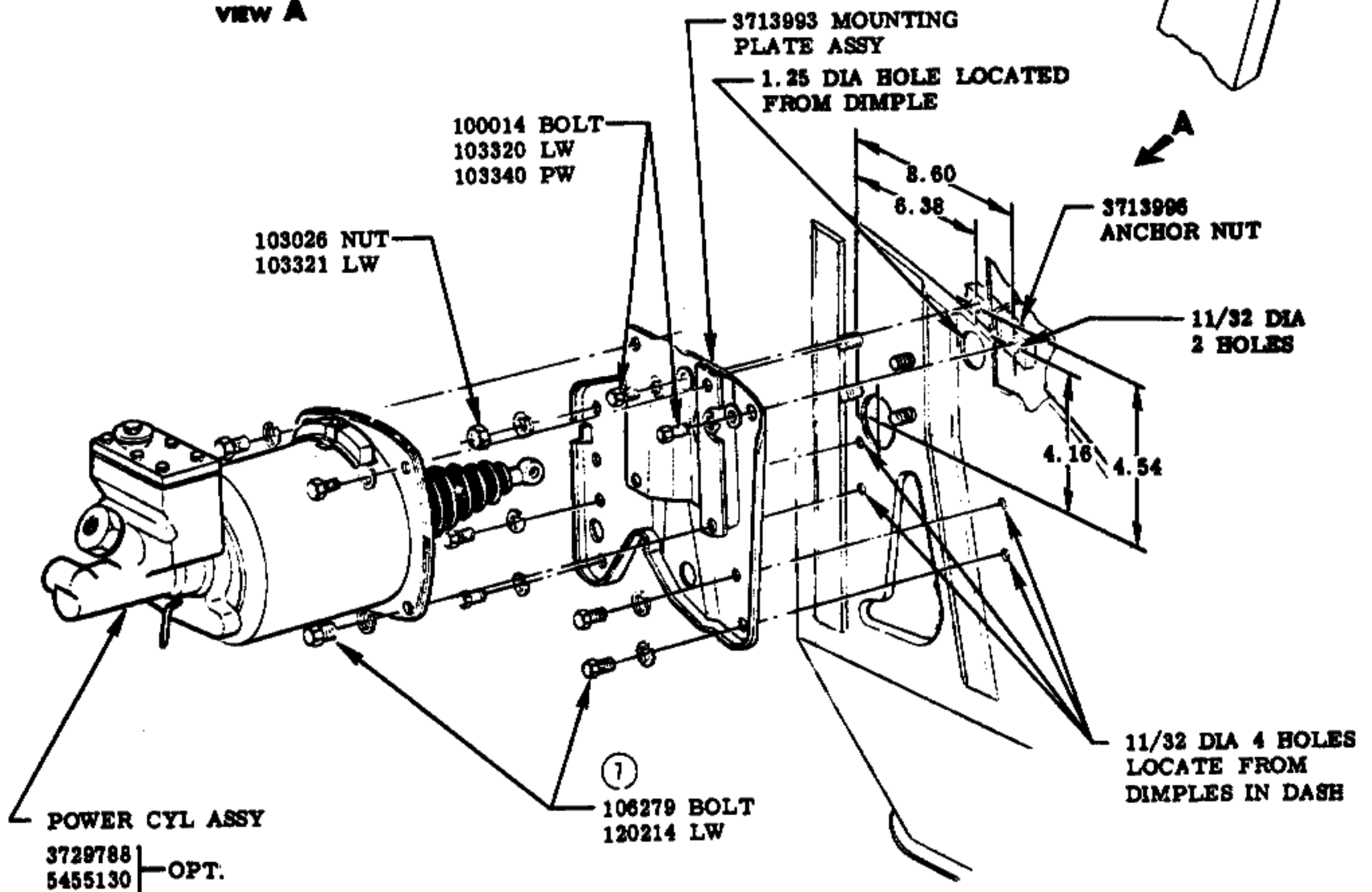
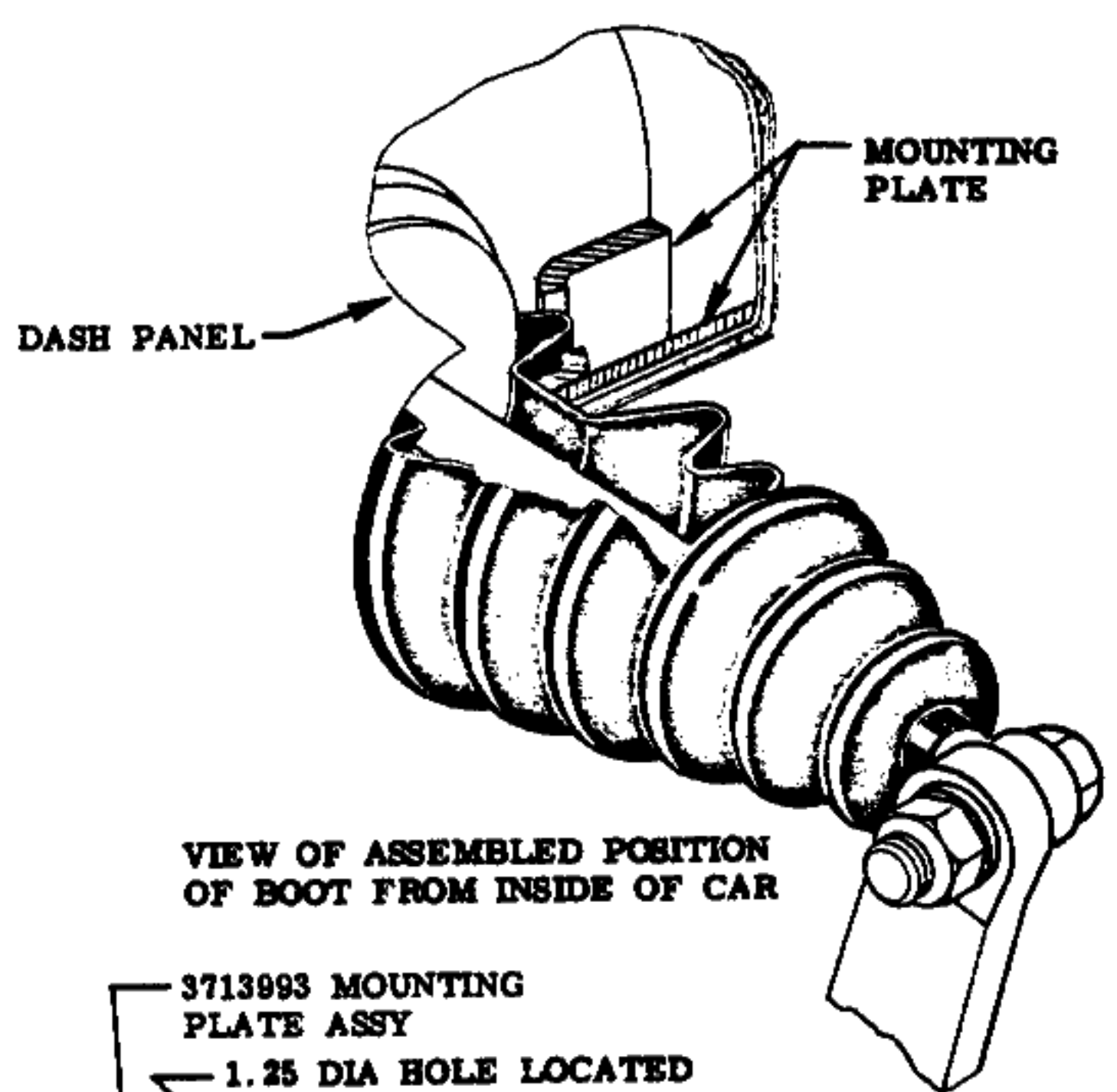
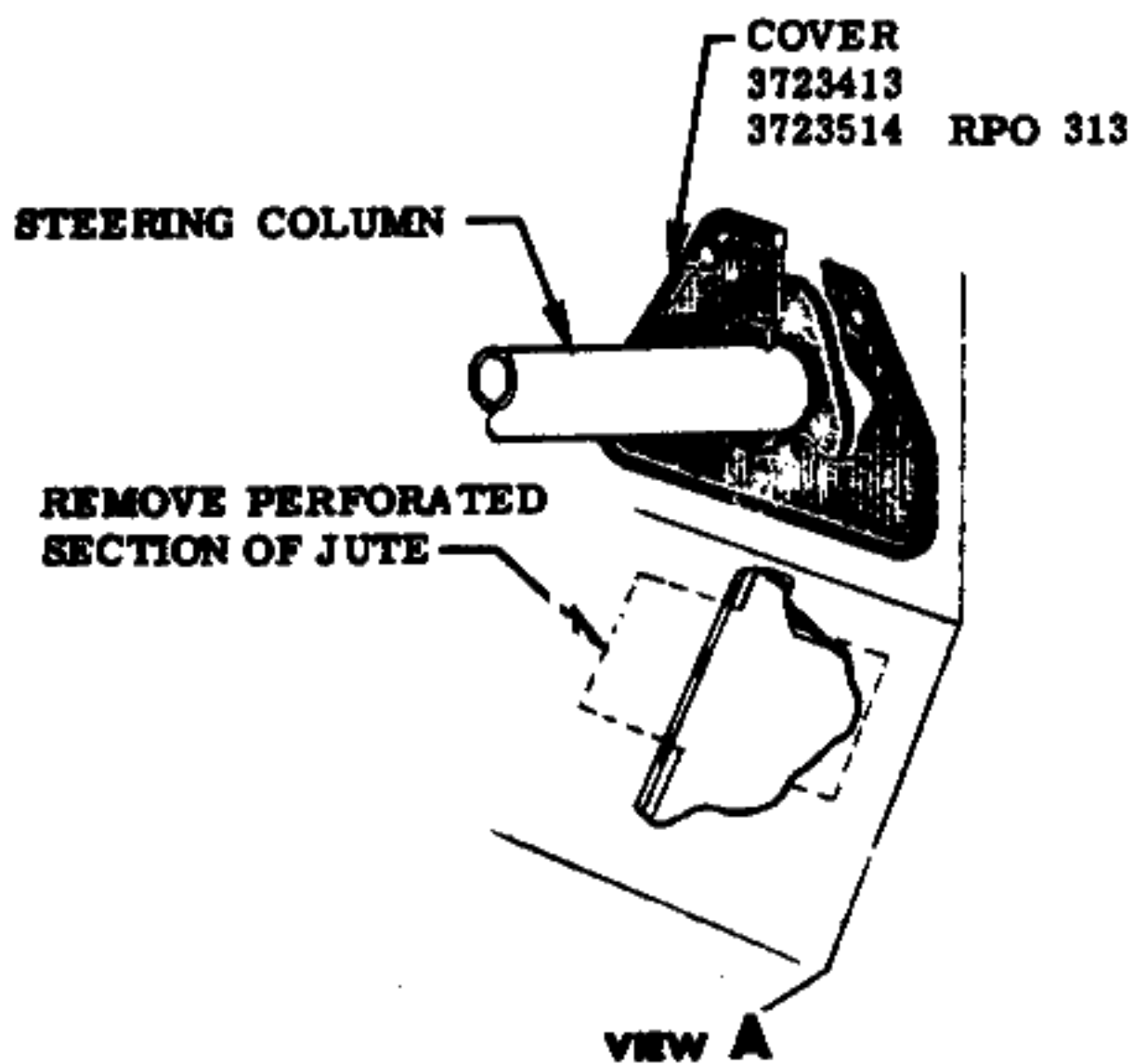
5-21-56	8	WAS 3731463	1545		F	NAME	PASSENGER CAR INSTRUCTION MANUAL				
4-16-56	7	WAS 3731481 L. H., 3731482-R. H.	8561		F	REF.	DRAWN	CHECKED	F	R. P. O.	SHEET
2-22-56	6	WAS 3737868			F					410	
	5	WAS "R. P. O. 410 ONLY"			F					411	
2-6-56	4	REDRAWN & REVISED	5380			DATE	PART No.				5.00
DATE	SYM.	REVISION RECORD	AUTH.	DR.	CK.	9-1-55	3726600				



VACUUM POWER BRAKE INSTRUCTION

MODELS
ALL

						NAME	PASSENGER CAR INSTRUCTION MANUAL				
						REF.	DRAWN	CHECKED	F	R.P.O.	SHEET
						DATE	PART No.			412	1.00
DATE	SYM.	REVISION RECORD	AUTH.	DR.	CK.	7-25-55	3726600				

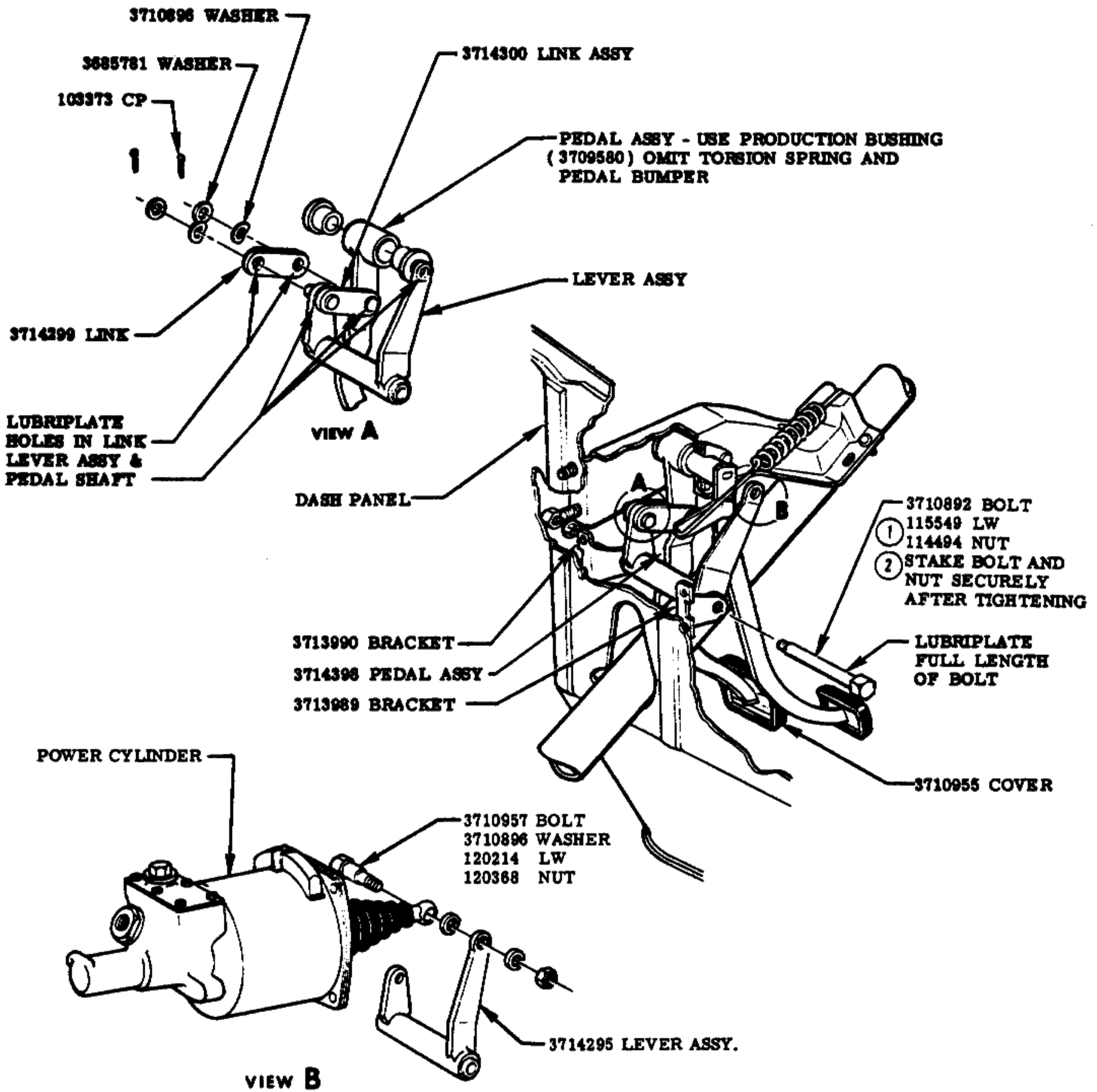


SEE LUBRICATION INSTRUCTION

CYLINDER MOUNTING & DASH STEERING HOLE COVER INSTRUCTION

MODELS
ALL

					NAME PASSENGER CAR INSTRUCTION MANUAL					
					REF.	DRAWN	CHECKED	F	R.P.O.	SHEET
	7	WAS 3713991								
3-6-56	6	REDRAWN	7740		DATE	PART No.			412	2.00
DATE	SYM.	REVISION RECORD	AUTH.	DR.	CK.	7-25-55	3726600			

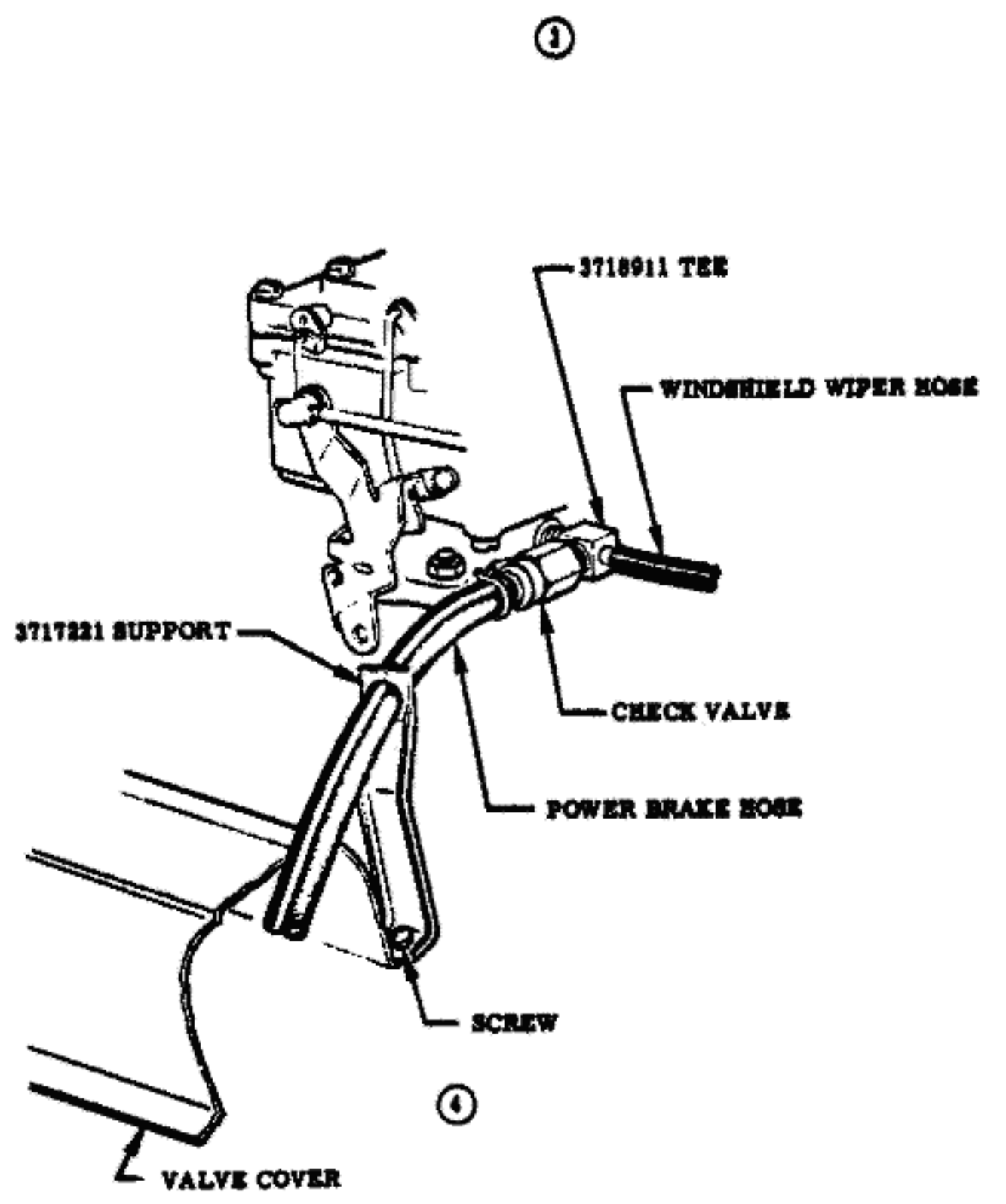
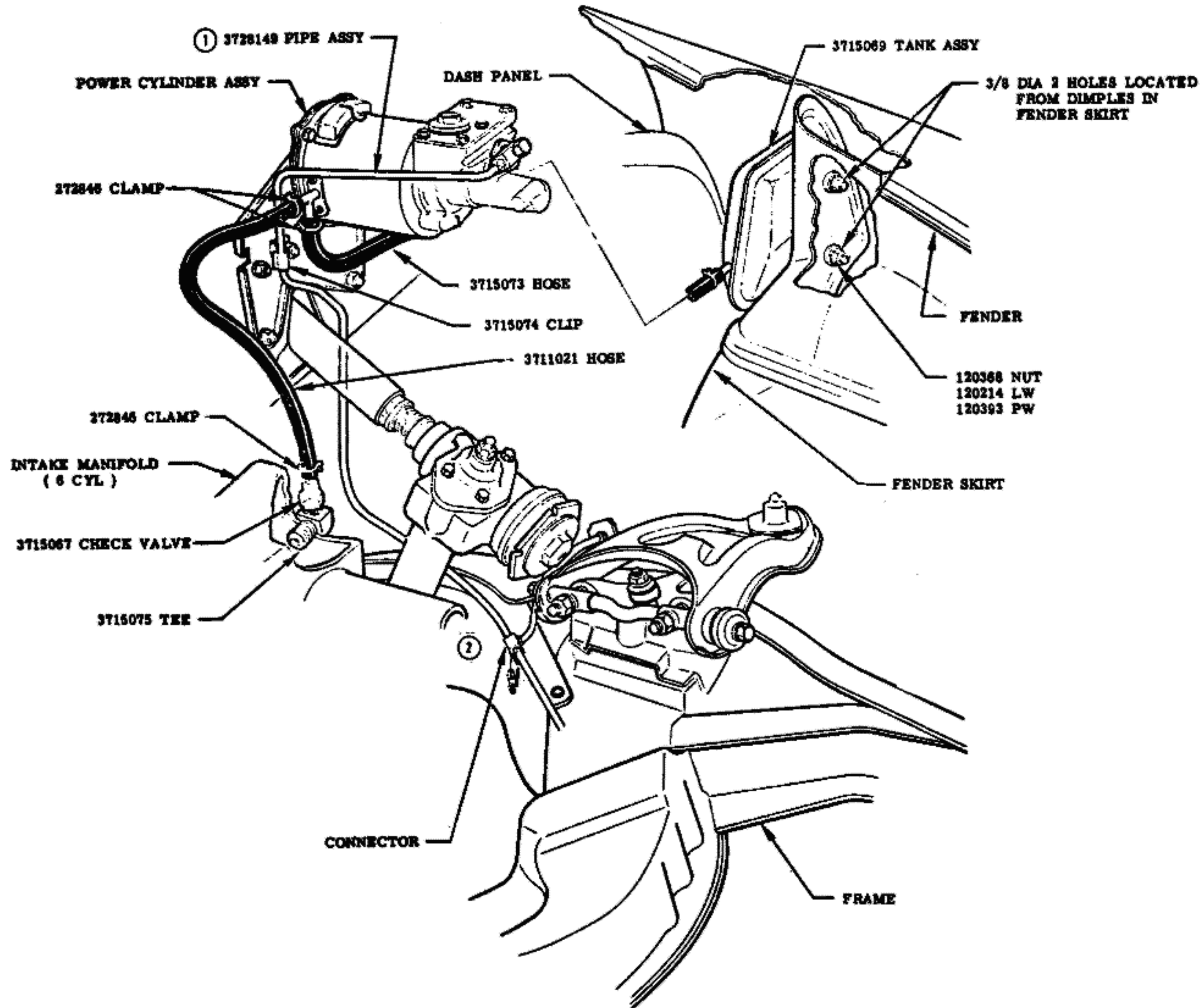


SEE LUBRICATION INSTRUCTION

BRAKE PEDAL & LINKAGE INSTRUCTION

MODELS
ALL

						NAME PASSENGER CAR INSTRUCTION MANUAL				
						REF.	DRAWN	CHECKED F	R.P.O.	SHEET
2		NOTE ADDED			F					
2-22-56	1	115549 WAS 103321	7203	V		DATE	PART No.	412		3.00
DATE	SYM.	REVISION RECORD	AUTH.	DR.	CK.	7-25-55	3726600			



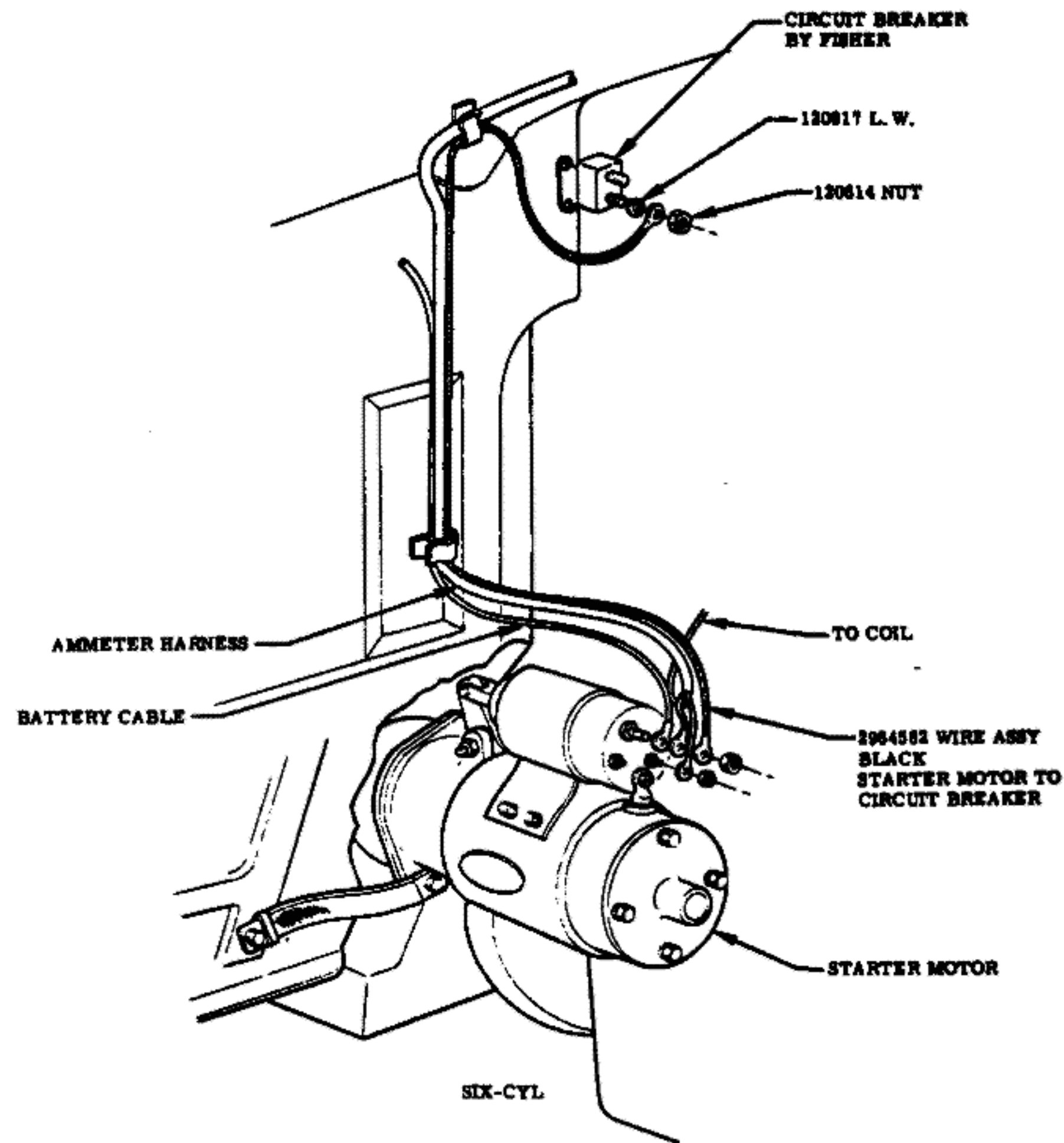
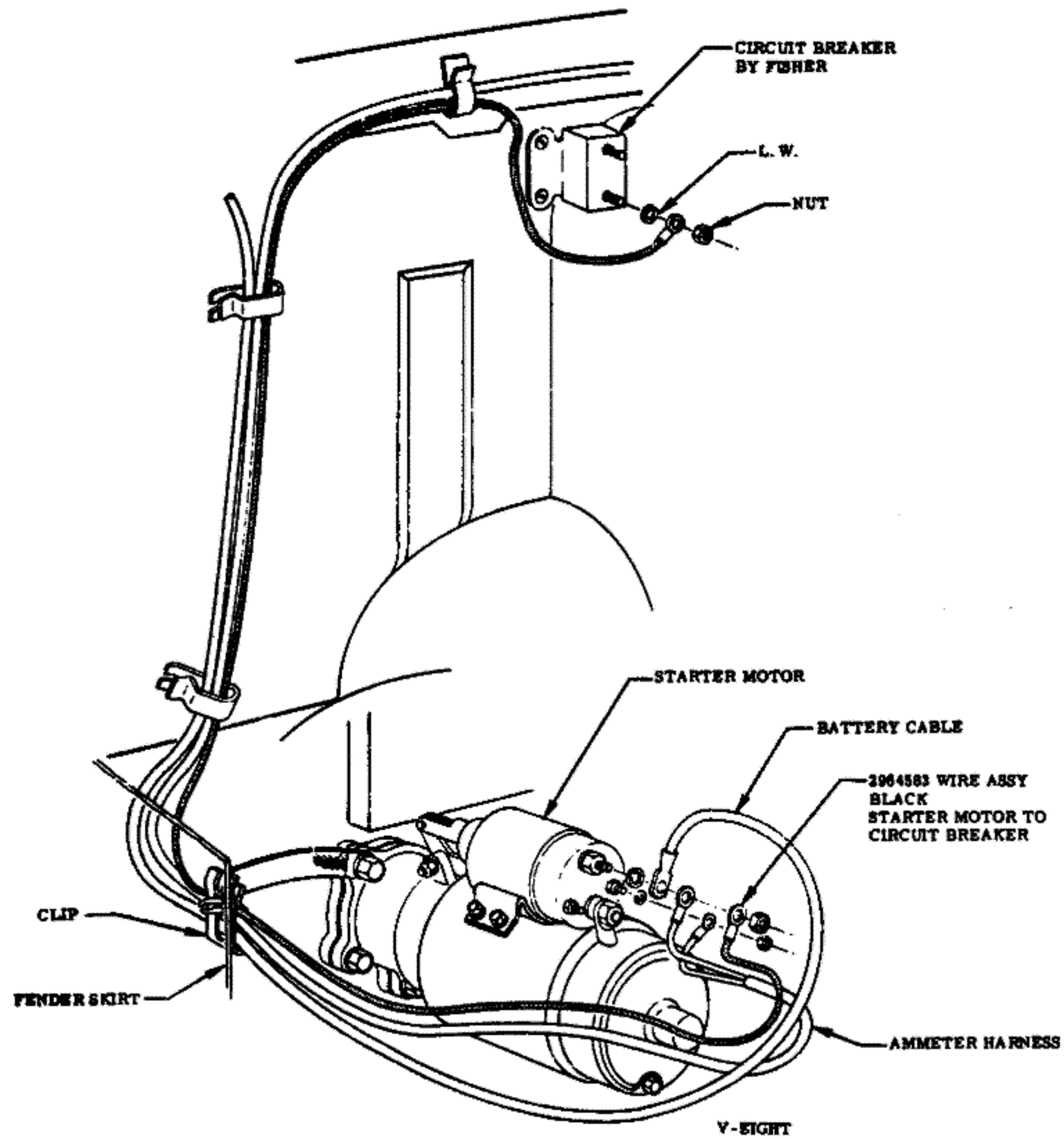
R.P.O. 321

SEE LUBRICATION INSTRUCTION

BRAKE LINE, HOSE & VACUUM TANK INSTRUCTION

MODELS ALL

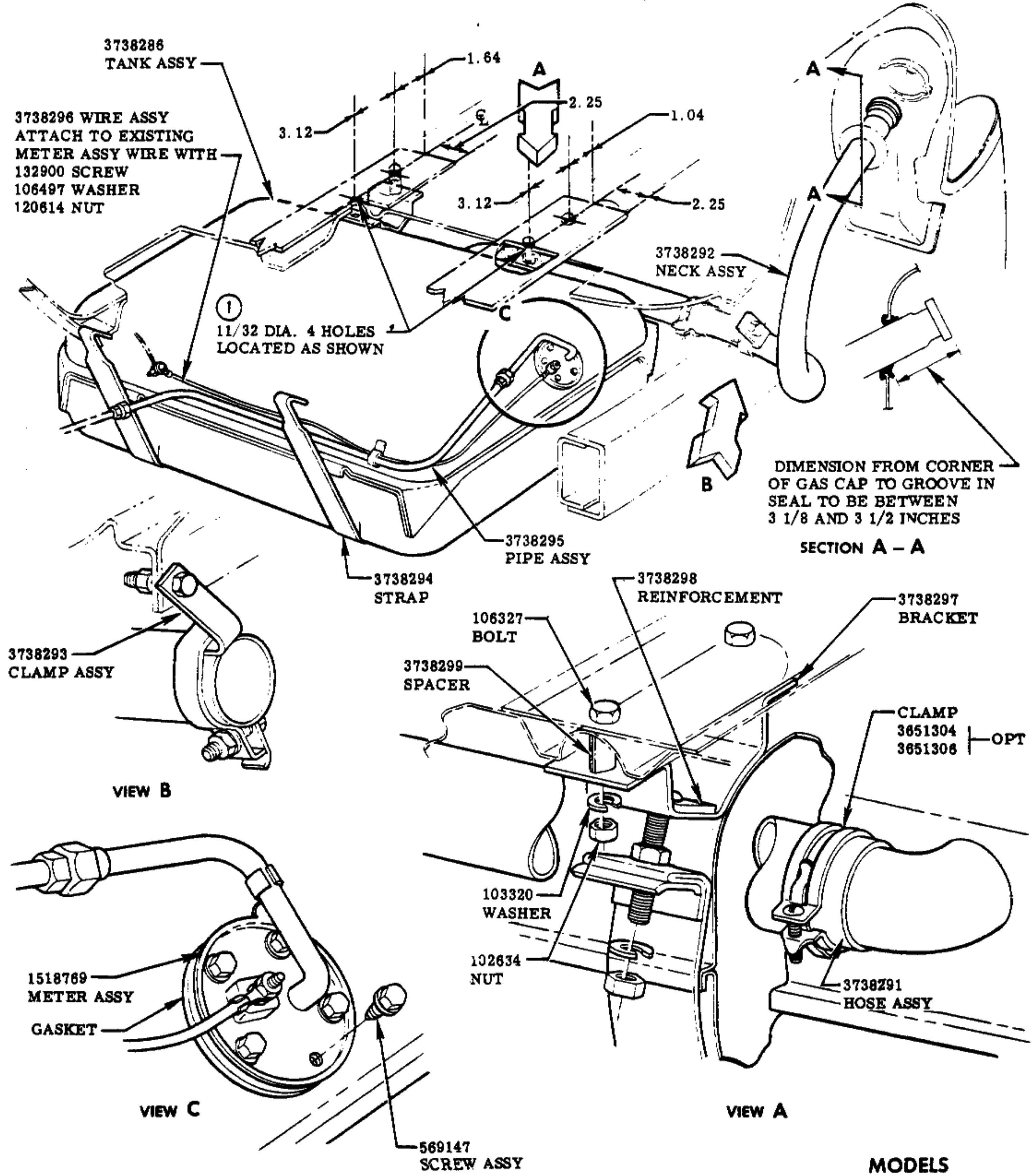
DATE	SYM.	REVISION RECORD	AUTH.	DR.	CL.	NAME	PART No.	R.P.O.	SHEET
	4	VIEW REDRAWN & REVISED			F	PASSENGER CAR INSTRUCTION MANUAL			
11-10-55	3	VIEW "A" REMOVED	5092			REF.	DRAWN	CHECKED F	
	2	VIEW REVISED			F				
10-18-55	1	WAS 3715068	2592			DATE			
						7-25-55	3726600	412	4.00



MODELS
ALL

WINDOW ELECTRICAL CONTROL INSTRUCTION

						NAME PASSENGER CAR INSTRUCTION MANUAL				
						REF.	DRAWN	CHECKED	R. P. O.	SHEET
								F		426 1.00
						DATE	PART No.			
						T-25-55	3724400			
DATE	SYM.	REVISION RECORD	AUTH.	DR.	CK.					



GASOLINE TANK - TWENTY GAL.

MODELS
 ALL EXCEPT SEDAN DELIVERY
 & STATION WAGON

					PASSENGER CAR INSTRUCTION MANUAL				
					REF.	DRAWN	CHECKED	R. P. O.	SHEET
					9766	V	F		
6-19-56	1	HOLES ADDED		F	DATE	PART No.	472		1.00
DATE	SYM.	REVISION RECORD	AUTH.	DR.	CK.	6-2-58	3726600		