

# MASTER PARTS CATALOG

FOR



## MODELS—1929-1954

*Effective March 1, 1954*

*Supersedes Master Parts Catalog effective April 1, 1953 (P & A 30)*

**PARTS ORDERS TO BE PLACED BY CHEVROLET DEALERS WITH  
GENERAL MOTORS PARTS DIVISION**

GENERAL MOTORS CORPORATION

*WAREHOUSES CONVENIENTLY LOCATED AT THE FOLLOWING POINTS:*

Amarillo, Texas	Des Moines, Ia.	Louisville, Ky.	Portland, Maine
*Atlanta, Georgia	*Detroit, Mich.	Memphis, Tenn.	*Portland, Oregon
*Baltimore, Md.	El Paso, Texas	Milwaukee, Wis.	Richmond, Virginia
Birmingham, Ala.	Fargo, N. D.	*Minneapolis, Minn.	*St. Louis, Mo.
*Bloomfield, N. J.	*Flint, Mich.	New Orleans, La.	Salt Lake City, Utah
Boston, Mass.	Great Falls, Mont.	Norwood, Ohio	San Antonio, Texas
Buffalo, N. Y.	Houston, Texas	*Oakland, Cal.	Sarasota, Pa.
Charlotte, N. C.	Indianapolis, Ind.	Oklahoma City,	Seattle, Wash.
*Chicago, Ill.	Jacksonville, Fla.	Oklahoma City,	Shreveport, La.
Cleveland, Ohio	*Kansas City, Mo.	Oklahoma City,	*Van Nuys, Calif.
*Dallas, Texas	Long Island City,	Oklahoma City,	Wichita, Kansas
Denver, Colo.	N. Y.	Omaha, Nebr.	
		Philadelphia, Pa.	
		Pittsburgh, Pa.	

\*Master Warehouses.

\*Major Supply Depots.

#Factory Warehouse.

## CHEVROLET MOTOR DIVISION

GENERAL MOTORS CORPORATION

DETROIT 2, MICH.

All illustrations and specifications contained in this literature are based on the latest product information available at the time of publication approval. The right is reserved to make changes at any time without notice in prices, colors, materials, equipment, specifications and models, and also to discontinue models.

The "List Prices" shown in this catalog are suggested prices for sales to consumers.

# GENERAL INFORMATION

Complete familiarity with the information contained on these pages as well as the general layout of the book will prove helpful in locating and ordering the desired parts. The Chevrolet Master Parts Catalog is arranged in sections as follows:

General Information  
G. M. Telegraphic Code  
New Parts Or Accessories Returned For Credit  
Alphabetical Index  
General Illustrations  
Chassis Parts Listing—groups 0.000 to 9.999 inclusive  
Passenger Body Parts Listing—groups 10.000 to 15.999 inclusive  
Commercial Body Parts Listing—groups 16.000 to 17.999 inclusive  
Supplementary Data  
Parts History Index

The Group System of listing parts has been retained and briefly is as follows:  
Main units of the car are identified by the Numeral preceding the Decimal, i.e.,

Engine.....	0.
Cooling and Oiling.....	1.
Electrical.....	2.
Fuel System.....	3.

Individual Parts are assigned a Group Number, the first Numeral identifying the main unit it is affiliated with, and following the Decimal is the Sub-Group Number under which all Parts of the same name and function are listed. For instance: Group 0.033: "0." indicates that it is an Engine Part, ".033" is the Location where all Part Numbers of Cylinder Blocks now being serviced may be found.

For convenience, List Price is shown where the Part is listed. An exception to this occurs when a Part is also listed elsewhere than in its original or "prime" Group, and in such listings the "prime" Group is indicated in parentheses in place of Price. This procedure is necessary as a part can have but one identifying Group Number for ordering or bin location. For example, under Group Number 3.708, Part Number 369593 is listed as Tail Pipe to Muffler Clamp, and in its price column is shown (6.760) which refers to the "prime" Group of that part. The Price may be obtained by referring to that Group, or to the Dealer Parts and Accessories Price Schedule.

When using the dimensions and other data shown in the Specifications Column the parts manager should be guided by the following:

1. "length overall" refers to the total length of a part measured over the longest dimension. An irregular shaped piece is measured over the longest dimension regardless of contours and bends.
2. "dev. length" refers to the total length of a part such as a tail pipe or gas pipe measured as though the part were straightened out. This measurement can be taken on formed pipes by using a string to follow the contours of the pipe and then measuring the length of string used.
3. "I.D." refers to inside diameter; "O.D." refers to outside diameter; "O.S." refers to oversize; "U.S." refers to undersize.

To locate the listing of a Part, refer to the Book under the Group Number identifying it, which may be determined by using any of the following three methods:

1. Consult Alphabetical Index, at front of book, which lists Parts by noun and descriptive names and refers to the exact Group Number where all Parts of similar kind may be found. More than one Group Number will be given where the same kind of part is shown in both Passenger and Commercial Body sections. If Name of desired Part is not readily found in the Index, a correlated Part Name will suggest approximate location.
2. Consult Illustrations throughout book, on which Group Numbers and Noun Name are shown, which will refer to the Part or Assembly wanted.
3. Consult Dealer Parts and Accessories Price Schedule if a Part Number is known, and use its Group Number to locate a similar Part, or be directed to the approximate location of correlated Parts.

The column headed "No. Used" indicates the number of pieces required. The term "A.R." means "As Required."



# G. M. TELEGRAPHIC CODE

Revised telegraph regulations now make it possible to specify actual part number digits at code word cost when ordering parts by telegram. Therefore it will not be necessary to use the G. M. Numerical Code for sending part numbers in telegrams.

The Numerical Code should be used in decoding phrases which are always prefixed XL.

G	M	P	R	O	D	U	C	T	S
1	2	3	4	5	6	7	8	9	0

## COMMONLY USED PHRASES—CODING TABULATION

<p>101 Refer order..... <b>XLCSG</b></p> <p>102 Refer to our wire (of)..... <b>XLSSM</b></p> <p>103 Refer to our letter (of)..... <b>XLSEP</b></p> <p>105 Wire answer to our wire (of)..... <b>XLCSO</b></p> <p>109 Refer to your wire (of)..... <b>XLSTT</b></p> <p>110 Refer to your letter (of)..... <b>XLGCS</b></p> <p>115 Wire answer..... <b>XLGGO</b></p> <p>116 Wire advice..... <b>XLGCD</b></p> <p>132 Wire if unable to ship today..... <b>XLGPM</b></p> <p>134 Ship today..... <b>XLGPR</b></p> <p>135 Urgent car tied up..... <b>XLGPO</b></p> <p>141 Check and advise by wire..... <b>XLGRG</b></p> <p>151 Ship by express..... <b>XLGOC</b></p> <p>152 Ship by freight..... <b>XLGOM</b></p> <p>154 Ship by truck..... <b>XLGOR</b></p> <p>157 Ship by air mail..... <b>XLGOU</b></p> <p>158 Ship by air express..... <b>XLGOC</b></p> <p>159 Ship by parcel post..... <b>XLGOT</b></p> <p>160 Ship by parcel post special delivery..... <b>XLGDS</b></p> <p>170 Cancel our order of..... <b>XLGUS</b></p> <p>174 Cancel following items our order..... <b>XLGUR</b></p> <p>181 Add to our order..... <b>XLGCC</b></p> <p>190 Wire shipping date our order..... <b>XLGTS</b></p> <p>191 Wire full forwarding information..... <b>XLGTC</b></p> <p>253 How and when did you ship?..... <b>XLGMP</b></p> <p>296 Expect to ship your order..... <b>XLMTD</b></p> <p>301 Shipped by express..... <b>XLPSG</b></p>	<p>302 Shipped by freight..... <b>XLPSM</b></p> <p>303 Shipped by truck..... <b>XLPSF</b></p> <p>306 Shipped by air mail..... <b>XLPSD</b></p> <p>307 Shipped by air express..... <b>XLPSU</b></p> <p>308 Shipped by parcel post..... <b>XLPSG</b></p> <p>325 Shipped by parcel post special delivery..... <b>XLPMO</b></p> <p>337 Cannot locate your order number..... date..... <b>XLPPU</b></p> <p>338 Do not understand your telegram..... <b>XLPPC</b></p> <p>346 Cancelled as per your request..... <b>XLPRD</b></p> <p>351 Material shipped; cannot cancel as requested..... <b>XLPOG</b></p> <p>368 Advise Body Style, paint combination numbers for parts your order number..... <b>XLPCD</b></p> <p>371 Wire part number..... <b>XLPUG</b></p> <p>372 Advise engine number for parts your order number..... <b>XLPUH</b></p> <p>373 Advise Body and job number for parts, your order..... <b>XLPUF</b></p> <p>385 No record part number..... <b>XLPCO</b></p> <p>399 Part number and description do not agree..... <b>XLPTT</b></p> <p>462 Refer to parts release and change notice number..... <b>XLRDM</b></p> <p>463 Refer to dealer service department bulletin..... <b>XLRDP</b></p> <p>513 Change our order..... to read as follows..... <b>XLGSP</b></p> <p>514 Change shipping instructions on our order to read..... <b>XLGSR</b></p> <p>517 Incorrect parts received on our order..... <b>XLGCU</b></p> <p>519 Advise which is correct..... <b>XLGST</b></p> <p>609 URGENT—Car Inoperative..... <b>XLDSY</b></p>
---	--

## CODE PHRASES CLASSIFIED

### REFERENCE

See Code Nos. 101, 102, 103, 109, 110, 462 & 463

### SPECIFICATIONS AND INSTRUCTIONS

See Code Nos. 338, 368, 371, 372, 373, 385, 398 & 519

### CANCELLATION

See Code Nos. 170, 174, 346 & 351

### ADDITIONS, CHANGES, SUBSTITUTIONS & ERRORS

See Code Nos. 181, 513, 514 & 517

### SHIP OR SEND

See Code Nos. 132, 134, 151, 152, 154, 157, 158, 159 & 160

### SHIPPED OR SENT

See Code Nos. 301, 302, 303, 306, 307, 308, 325 & 351

### SHIPPING

See Code No. 296

### INQUIRIES ON SHIPMENTS

See Code Nos. 190, 191, 253 & 337

### REPLY

See Code Nos. 105, 115, 116, 141, 190 & 191

### URGENCY

See Code Nos. 135, 609

# NEW PARTS OR ACCESSORIES RETURNED FOR CREDIT

## Instructions for Dealers

### A. New material returnable for credit is of four general classifications:

1. MATERIAL RETURNABLE UNDER 30 DAY RETURN CLAUSE OF SELLING AGREEMENT, INCLUDING MATERIAL ORDERED OR SHIPPED IN ERROR
2. DEFECTIVE NEW PARTS
3. DEFECTIVE NEW ACCESSORIES
4. SURPLUS STOCK

Parts and Accessories returnable in accordance with the Selling Agreement should be written on separate PC 659, application for "Authorization to Return New Material." Parts of only one of the above classifications should be written on one application. When items of more than one classification are to be returned, a separate application should be used for each group listed above. Form GSD17 should be used as outlined in paragraph C(2) when returning defective accessories.

All material returned under classifications 1 or 4 is to be in new and salable condition.

### B. Material returnable under 30 day return clause of selling agreement, including material ordered or shipped in error.

- (1) It is necessary that form PC 659 be prepared in three copies in order to properly identify returned parts or accessories and thereby expedite the issuance of credit to your account. By showing the required information on this form, it not only serves as a packing slip, to identify the shipment, but also as an invoice from you to Chevrolet Motor Division for the materials returned.

PC 659 should show:

- (A) Date;
- (B) Normal Shipping GMPD Warehouse;
- (C) GMPD Warehouse Address;
- (D) Dealer Name and Address;
- (E) Part Number;
- (F) Name of Part;
- (G) Quantity to Return;
- (H) Packing Slip Number;
- (I) Warehouse Received From (Shipping Warehouse);
- (J) Date Received;
- (K) Reason for Return.

- (2) When returning material, shipment should be made as follows:

- (A) Tag one of each part with GSD 43, Return Goods Tag, showing:
  1. Quantity
  2. Part Number
  3. Description
  4. PC 659 Number
- (B) Mail No. 1 copy of PC 659 to General Motors Parts Division Warehouse to which you normally forward your parts orders;
- (C) Pack goods carefully for safe shipment, using the No. 2 copy of PC 659 application as a packing slip:
  1. NOTE: On Parcel Post shipments packing slip is to be enclosed in an envelope bearing first class postage. Attach envelope to package.
- (D) Retain the number 3 copy of PC 659 as your record of shipment;

(E) Ship the material PREPAID to the General Motors Parts Division Warehouse, to which you normally forward your parts orders;

(F) When returning new Parts and Accessories to GMPD Warehouse via prepaid express, which were originally "shipped in error" by GMPD, attach a copy of the paid express receipt to the No. 1 copy of PC-659 and credit for normal transportation expense will be allowed.

### C. Defective New Parts

- (1) New parts found to be defective before installation has occurred, are to be returned by you to the Parts Warehouse on Form PC 659.

The following information should appear on PC 659:

- (A) Date;
- (B) Normal Shipping GMPD Warehouse;
- (C) GMPD Warehouse Address;
- (D) Dealer's Name and Address;
- (E) Part No.;
- (F) Name of Part;
- (G) Quantity to be Returned;
- (H) Reason for Return and Nature of the Defect.

When returning material, shipment should be made as outlined in Paragraph B. (2).

- (2) New parts found to be defective after installation are to be handled on GSD 17, L. & M. R. in the same manner as if the part had been installed in production.

Each part should be tagged with GSD 43, Return Goods Tag, showing:

- (A) Quantity;
- (B) Part Number;
- (C) Description;
- (D) GSD 17 Number;
- (E) Nature of Defect.

Material should be packed carefully and shipped PREPAID to General Motors Parts Division Warehouse, to which you normally return defective service material.

- (3) Copies #1 thru #6 of GSD-17 are to be mailed to the Zone Service Manager. The number 7 copy retained as your record of shipment, GSD-17T Listing Tag, is to be used as a packing slip for the material shipped.

### D. Defective New Accessories.

- (1) New accessories found to be defective before or after installation are to be handled in the same manner as a new parts policy adjustment as outlined in Paragraph C. (2).

### E. After 30 days have expired, dealer may apply for authorization to return such goods as "Surplus Stock."

- (1) Application should be completed on Form PC-659 as in C. (1) except the reason for return should show "Surplus Stock" and all three copies should be mailed to the Zone Office and material held by you for disposition.
- (2) The numbers 2 and 3 copies of the application will be returned to you showing disposition to be made of the material.
- (3) On receipt of the numbers 2 and 3 copies, you should handle the return of items coded "R" in accordance with procedure outlined in Paragraph B. (2) (A,C,D,E).

NOTE: Paid receipts are not required on other than prepaid express returns for material "shipped in error."

## ABBREVIATIONS.

Abs.	Absorber	Dev.	Developed
A.C.	Automatic Choke	Diaph.	Diaphragm
Accel.	Accelerator	Dia.	Diameter
Adj.	{ Adjustable	Di	Differential
	{ Adjusting	Distr.	Distributor
Amp.	Ampere	Div.	Division
A.R.	As Required	Dr.	Door
ASed.	Aero Sedan	Drld.	Drilled
Assy.	Assembly	D-D	Forward Control
A.T.	Automatic Transmission	Dubl-Duti }	
Aux.	Auxiliary	Econ.	Economy
Batt.	Battery	Emerg.	Emergency
Bind.	Binding	Eng.	Engine
B-A.	Bel Air	Equ.	Equipment
Blk.	Black	Escn.	Escutcheon
Brg.	Bearing	Exc.	Except
Brk.	Brake	Exch.	Exchange
Brkt.	Bracket	Exh.	Exhaust
Brn.	Brown	Expan.	Expansion
Bpr.	Bumper	Ext.	External
Bshg.	Bushing	Fcg.	Facing
Btry.	Battery	FFC.	Flat Face Cowl
Cad.	Cadmium	Fill.	Fillister
C/Shaft.	Camshaft	Flwhl.	Flywheel
Can. Exp.	Canopy Express	Flex.	Flexible
Capill.	Capillary	Flin.	Fleetline
Carb.	Carburetor	Fig.	Flange
Carr.	Carrier	Fldg.	Folding
Ch.	Chassis	Frgd.	Forged
Chnl.	Channel	Frt.	Front
Chr.	Chrome	Gal.	Gallon
Cl.	Clutch	Garn.	Garnish
Ck/C.	Crankcase	Gen.	Generator
Ck/Shaft.	Crankshaft	Gov.	Governor
Coa.	Coach	Gskt.	Gasket
C'bore.	Counterbore	Hex.	Hexagon
COE.	Cab-Over-Engine	Hdle.	Handle
Comb.	Combination	Hd.	Head
Comm.	Commercial	Hdng.	Headlining
Comp.	Compartment	Hdlp.	Headlamp
Compr.	Compression	Hsg.	Housing
Conn.	Connecting	Htr.	Heater
Conv.	Convertible	Hvy.	Heavy
Cpe.	Coupe	Hy.	Hyatt
Cplg.	Coupling	Hyd.	Hydraulic
CPU.	Coupe Pick-up	ID	Inside Diameter
Ctr./S.	Countershaft	Ident.	Identification
C'sunk.	Countersunk	Ign.	Ignition
Ctr.	Center	Imit.	Imitation
Cush.	Cushion	Incl.	Includes
Cyl.	Cylinder	Ind.	Indicator
Dbl.	Double	Inl.	Inlet
Detach.	Detachable	Instr.	Instrument
Defl.	Deflector	Ins.	Insulator
Def.	Defroster	Int.	{ Internal
			{ Intake

Inter.....	Intermediate
K/Pin.....	King Pin
Lea.....	Leather
L.....	Left
L.H.....	Left Hand
Lg.....	Long
Lwr.....	Lower
Max.....	Maximum
Mkd.....	Marked
Mas.....	Master
Matl.....	Material
Mech.....	Mechanical
Med.....	Medium
Mbr.....	Member
Min.....	Minimum
Mfld.....	Manifold
Mldg.....	Moulding
Mtg.....	Mounting
Mtr. Rod.....	Metering Rod
ND.....	New Departure
No.....	Number
NP.....	Nickel Plated
NSS.....	{ Not Serviced Separately
OD.....	Outside Diameter
OL.....	Overall Length
Oper.....	Operating
Opg.....	Opening
Ornam.....	Ornament
OS.....	Oversize
Pack.....	Packing
Park.....	Parkerized
Pass.....	Passenger
P.B.....	Power Brake
P.G.....	Powerglide
P/S.....	Power Steering
Phae.....	Phaeton
Pit.....	Pitman
Pkg.....	Package
Pl.....	Plain
Pltfn.....	Platform
Press.....	Pressure
Prop.....	Propeller
Pt.....	Part
Qt.....	Quart
Qtr.....	Quarter
R.....	Right
Rad.....	Radiator
Rd.....	Round
Rect.....	Rectangular
Reg.....	Regulator
Reg. Prod.....	Regular Production
Ret.....	Retainer
R.H.....	Right Hand
Rkr.....	Rocker

Rnct.....	Reinforcement
Roch.....	Rochester
Run/Bd.....	Running Board
Rr.....	Rear
SBC.....	} School Bus Chassis
Sch. Bus Ch.....	
Sed.....	Sedan
Sdl.....	Sedan Delivery
Serv.....	Service
Sgl.....	Single
Shk./Abs.....	Shock Absorber
Shldr.....	Shoulder
Sld.....	Slotted
Span.....	Spanish
Spd.....	Speed
Spec.....	Special
Speedo.....	Speedometer
Spg.....	Spring
Sq.....	Square
SSed.....	Sport Sedan
Staty.....	Stationary
Sta. Wag.....	Station Wagon
Std.....	Standard
Stmpd.....	Stamped
Strg.....	Steering
Sub.....	Suburban Carryall
Supt.....	Support
Syncto.....	Synchronizing
T.....	Teeth
Temp.....	Temperature
Ter.....	Terminal
Thd.....	Thread
Therm.....	Thermostat
Trans.....	Transmission
TSed.....	Town Sedan
U-joint.....	Universal Joint
US.....	Undersize
Univ.....	Universal
U/Pan.....	Underpan
Upr.....	Upper
Util.....	Utility
Vac.....	Vacuum
Vent.....	Ventilator
W/.....	With
W/A.C.....	Automatic Choke Carburetor
W/O.....	Without
W/Pump.....	Water Pump
WB.....	Wheelbase
W/Cord.....	Weathercord
Whhse.....	Wheelhouse
Wind.....	Window
W/S.....	Windshield
W/Strip.....	Weatherstrip

# CAR MODEL SERIAL IDENTIFICATION

1929

Series	Wheelbase	Type of Vehicle
AC	107	Passenger— $\frac{1}{2}$ Ton Truck—Sedan Delivery
LQ	131	Utility— $1\frac{1}{2}$ Ton Truck

1930

Series	Wheelbase	Type of Vehicle
AD	107	Passenger— $\frac{1}{2}$ Ton Truck—Sedan Delivery
LR	131	Utility— $1\frac{1}{2}$ Ton Truck—First Half
LS	131	Utility— $1\frac{1}{2}$ Ton Truck—Second Half

1931

Series	Wheelbase	Type of Vehicle
AE	109	Passenger— $\frac{1}{2}$ Ton Truck—Sedan Delivery
LT	131-157	Utility— $1\frac{1}{2}$ Ton Truck—Single and Dual Wheels—First Half
MA	131	Utility— $1\frac{1}{2}$ Ton Truck—Single Wheels—Second Half
MB	131	Utility— $1\frac{1}{2}$ Ton Truck—Dual Wheels—Second Half
MC	157	Utility— $1\frac{1}{2}$ Ton Truck—Single Wheels—Second Half
MD	157	Utility— $1\frac{1}{2}$ Ton Truck—Dual Wheels—Second Half

1932

Series	Wheelbase	Type of Vehicle
BA	109	Passenger
BB	109	$\frac{1}{2}$ Ton Truck—Sedan Delivery
NA	131	Utility— $1\frac{1}{2}$ Ton Truck—Single Wheels
NB	131	Utility— $1\frac{1}{2}$ Ton Truck—Dual Wheels
NC	157	Utility— $1\frac{1}{2}$ Ton Truck—Single Wheels
ND	157	Utility— $1\frac{1}{2}$ Ton Truck—Dual Wheels

1933

Series	Wheelbase	Type of Vehicle
CA	110	Passenger (Eagle)
CC	107	Passenger (Standard)
CB	109	$\frac{1}{2}$ Ton Truck—Sedan Delivery
OA	131	Utility— $1\frac{1}{2}$ Ton Truck—Single Wheels
OB	131	Utility— $1\frac{1}{2}$ Ton Truck—Dual Wheels
OC	157	Utility— $1\frac{1}{2}$ Ton Truck—Single Wheels
OD	157	Utility— $1\frac{1}{2}$ Ton Truck—Dual Wheels

1934

Series	Wheelbase	Type of Vehicle
DA	112	Passenger and Sedan Delivery (Master) with Knee Action (Enclosed Type)
DC	107	Passenger (Standard)
DE	112	$\frac{1}{2}$ Ton Truck
FA	131	Utility— $1\frac{1}{2}$ Ton Truck—Single Wheels
PB	131	Utility— $1\frac{1}{2}$ Ton Truck—Dual Wheels
PC	157	Utility— $1\frac{1}{2}$ Ton Truck—Single Wheels
PD	157	Utility— $1\frac{1}{2}$ Ton Truck—Dual Wheels

1935

Series	Wheelbase	Type of Vehicle
EA	113	Passenger (Master De Luxe) with Knee Action (Enclosed Type)
ED	113	Passenger (Master De Luxe) less Knee Action
EC	107	Passenger and Sedan Delivery (Standard)
EB	112	$\frac{1}{2}$ Ton Truck
QA	131	Utility— $1\frac{1}{2}$ Ton Truck—Single Wheels
QB	131	Utility— $1\frac{1}{2}$ Ton Truck—Dual Wheels
QC	157	Utility— $1\frac{1}{2}$ Ton Truck—Single Wheels
QD	157	Utility— $1\frac{1}{2}$ Ton Truck—Dual Wheels

1936

Series	Wheelbase	Type of Vehicle
FA	113	Passenger (Master De Luxe) with Knee Action (Enclosed Type)
FD	113	Passenger (Master De Luxe) less Knee Action
FC	109	Passenger and Sedan Delivery (Standard)
FB	112	Commercial— $\frac{1}{2}$ Ton Truck
RA	131	Utility— $1\frac{1}{2}$ Ton Truck—Single Wheels
RB	131	Utility— $1\frac{1}{2}$ Ton Truck—Dual Wheels
RC	157	Utility— $1\frac{1}{2}$ Ton Truck—Single Wheels
RD	157	Utility— $1\frac{1}{2}$ Ton Truck—Dual Wheels

1937

Series	Wheelbase	Type of Vehicle
GA	112 $\frac{1}{4}$	Passenger (Master De Luxe) with Knee Action (Enclosed Type)
GB	112 $\frac{1}{4}$	Passenger and Sedan Delivery (Master)
GC	112	Commercial— $\frac{1}{2}$ Ton Truck
GD	122 $\frac{1}{4}$	Commercial— $\frac{3}{4}$ Ton Truck—11 in. Brakes
GE	122 $\frac{1}{4}$	Commercial—1 Ton Truck—14 in. Brakes
SA	131 $\frac{1}{2}$	Utility— $1\frac{1}{2}$ Ton Truck—Single Wheels
SB	131 $\frac{1}{2}$	Utility— $1\frac{1}{2}$ Ton Truck—Dual Wheels
SC	157	Utility— $1\frac{1}{2}$ Ton Truck—Single Wheels
SD	157	Utility— $1\frac{1}{2}$ Ton Truck—Dual Wheels

1938

Series	Wheelbase	Type of Vehicle
HA	112 $\frac{1}{4}$	Passenger (Master De Luxe) with Knee Action (Enclosed Type)
HB	112 $\frac{1}{4}$	Passenger and Sedan Delivery (Master)
HC	112	Commercial— $\frac{1}{2}$ Ton Truck
HD	122 $\frac{1}{4}$	Commercial— $\frac{3}{4}$ Ton Truck—11 in. Brakes
HE	122 $\frac{1}{4}$	Commercial—1 Ton Truck—14 in. Brakes
TA	131 $\frac{1}{2}$	Utility— $1\frac{1}{2}$ Ton Truck—Single Wheels
TB	131 $\frac{1}{2}$	Utility— $1\frac{1}{2}$ Ton Truck—Dual Wheels
TC	157	Utility— $1\frac{1}{2}$ Ton Truck—Single Wheels
TD	157	Utility— $1\frac{1}{2}$ Ton Truck—Dual Wheels

1939

Series	Wheelbase	Type of Vehicle
JA	112 $\frac{1}{4}$	Passenger (De Luxe Master) with Knee Action (Open Spring Type)
JB	112 $\frac{1}{4}$	Passenger and Sedan Delivery (Master "85")
JC	113 $\frac{1}{2}$	Commercial— $\frac{1}{2}$ Ton Truck
JD	123 $\frac{3}{4}$	Commercial— $\frac{3}{4}$ Ton Truck—with 11 in. Brakes
JE	123 $\frac{3}{4}$	Commercial— $\frac{3}{4}$ Ton Truck—with 14 in. Brakes (Heavy Duty)
VA	133	Utility— $1\frac{1}{2}$ Ton Truck—Single Wheels
VB	133	Utility— $1\frac{1}{2}$ Ton Truck—Dual Wheels
VC	158 $\frac{1}{2}$	Utility— $1\frac{1}{2}$ Ton Truck—Single Wheels
VD	158 $\frac{1}{2}$	Utility— $1\frac{1}{2}$ Ton Truck—Dual Wheels
VE	107 $\frac{3}{8}$	Utility—Cab Over Engine—Single Wheels
VF	107 $\frac{3}{8}$	Utility—Cab Over Engine—Dual Wheels
VG	131 $\frac{1}{8}$	Utility—Cab Over Engine—Single Wheels
VH	131 $\frac{1}{8}$	Utility—Cab Over Engine—Dual Wheels
VM	156 $\frac{3}{8}$	Utility—Cab Over Engine—Single Wheels
VN	156 $\frac{3}{8}$	Utility—Cab Over Engine—Dual Wheels

# CAR MODEL SERIAL IDENTIFICATION

1940

Series	Wheelbase	Type of Vehicle
KA	113	Passenger (Special De Luxe) with Knee Action (Open Spring Type)
KH	113	Passenger (Master De Luxe) with Knee Action (Open Spring Type)
KB	113	Passenger and Sedan Delivery (Master "85") Conventional Front Axle
KC	113½	Commercial—½ Ton Truck
KD	123¼	Commercial—¾ Ton Truck—with 11 in. Brakes
KE	123¼	Commercial—¾ Ton Truck—with 14 in. Brakes (Heavy Duty)
KF	133	Commercial—1 Ton Truck
WA	133	Utility—1½ Ton Truck—Single or Dual Wheels
WB	158½	Utility—1½ Ton Truck—Single or Dual Wheels
WC	193½	Utility—School Bus Chassis—Dual Wheels
WD	107½	Utility—Cab Over Engine
WE	131½	Utility—Cab Over Engine
WF	156½	Utility—Cab Over Engine

1941

Series	Wheelbase	Type of Vehicle
AH	116	Passenger (Special De Luxe) with Knee Action (Open Spring Type)
AG	116	Passenger and Sedan Delivery (Master De Luxe) with Knee Action (Open Spring Type)
AK	118	Commercial—½ Ton Truck
AL	125¼	Commercial—¾ Ton Truck—with 11 in. Brakes
AM	125¼	Commercial—¾ Ton Truck—with 14 in. Brakes (Heavy Duty)
AN	134½	Commercial—1 Ton Truck
YR	134½	Utility—1½ Ton Truck—Single or Dual Wheels
YS	160	Utility—1½ Ton Truck—Single or Dual Wheels
YT	195	Utility—School Bus Chassis—Dual Wheels
YU	109	Utility—Cab Over Engine
YV	132½	Utility—Cab Over Engine
YW	158	Utility—Cab Over Engine

1942

Series	Wheelbase	Type of Vehicle
BH	116	Passenger (Special De Luxe)
BG	116	Passenger and Sedan Delivery (Master De Luxe)
BK	118	Commercial—½ Ton Truck
BL	125¼	Commercial—¾ Ton Truck—with 11 in. Brakes
BM	125¼	Commercial—¾ Ton Truck—with 14 in. Brakes (Heavy Duty)
BN	134½	Commercial—1 Ton Truck
MR	134½	Utility—1½ Ton Truck—Single or Dual Wheels
MS	160	Utility—1½ Ton Truck—Single or Dual Wheels
MY	160	Utility—School Bus Chassis
MT	195	Utility—School Bus Chassis
MU	109	Utility—Cab Over Engine
MV	132½	Utility—Cab Over Engine
MW	158	Utility—Cab Over Engine

1946

Series	First Design	Second Design	Wheelbase	Type of Vehicle
DK			116	Passenger (Fleetmaster and Fleetline)
DJ			116	Passenger (Stylemaster)
CK	DP		115	Commercial—½ Ton Truck
	DR		125¼	Commercial—¾ Ton Truck
	DS		134½	Commercial—1 Ton Truck
OR	PJ		134½	Utility—1½ Ton Truck
OS	PK		160	Utility—1½ Ton Truck
OW	PL		160	Utility—School Bus Chassis
OY			195	Utility—School Bus Chassis
OE	PV		134½	Utility—2 Ton Truck
OF	PW		160	Utility—2 Ton Truck
OG	PX		195	Utility—School Bus Chassis
OH	PP		109	Utility—2 Ton—Cab Over Engine
OI	PR		132½	Utility—2 Ton—Cab Over Engine
OJ	PS		158	Utility—2 Ton—Cab Over Engine

1947

Series	Wheelbase	Type of Vehicle
EK	116	Passenger (Fleetmaster and Fleetline)
EJ	116	Passenger (Stylemaster)
EP	116	Commercial—½ Ton Truck
ER	125¼	Commercial—¾ Ton Truck
ES	137	Commercial—1 Ton Truck
OJ	137	Utility—1½ Ton Truck
QK	161	Utility—1½ Ton Truck
QL	161	Utility—School Bus Chassis
QV	137	Utility—2 Ton Truck
QW	161	Utility—2 Ton Truck
QX	199	Utility—School Bus Chassis
QP	110	Utility—2 Ton—Cab Over Engine
QR	134	Utility—2 Ton—Cab Over Engine
QS	158	Utility—2 Ton—Cab Over Engine

1948

Series	Wheelbase	Type of Vehicle
FK	116	Passenger (Fleetmaster and Fleetline)
FJ	116	Passenger (Stylemaster)
FP	116	Commercial—½ Ton Truck
FR	125¼	Commercial—¾ Ton Truck
FT	125¼	Commercial—¾ Ton Truck (Dabl-Duti) (Forward Control Delivery Chassis)
FS	137	Commercial—1 Ton Truck
FU	137	Commercial—1 Ton Truck (Dabl-Duti) (Forward Control Delivery Chassis)
FJ	137	Utility—1½ Ton Truck
RK	161	Utility—1½ Ton Truck
RL	161	Utility—School Bus Chassis
RV	137	Utility—2 Ton Truck
RW	161	Utility—2 Ton Truck
RX	199	Utility—School Bus Chassis
RP	110	Utility—2 Ton—Cab Over Engine
RR	134	Utility—2 Ton—Cab Over Engine
RS	158	Utility—2 Ton—Cab Over Engine

1949

Series	Wheelbase	Type of Vehicle
GK	2100	115 Passenger (DeLuxe) (Styleline and Fleetline)
GJ	1500	115 Passenger (Special) (Styleline and Fleetline)
GP	3100	116 Commercial—½ Ton Truck
GR	3600	125¼ Commercial—¾ Ton Truck
GT	3700	125¼ Commercial—¾ Ton Truck (Dabl-Duti) (Forward Control Delivery Chassis)
GS	3800	137 Commercial—1 Ton Truck
GU	3900	137 Commercial—1 Ton Truck (Dabl-Duti) (Forward Control Delivery Chassis)
SJ	4100	137 Utility—1½ Ton Truck
SK	4400	161 Utility—1½ Ton Truck
SL	4500	161 Utility—School Bus Chassis
SV	6100	137 Utility—2 Ton Truck
SW	6400	161 Utility—2 Ton Truck
SX	6700	199 Utility—School Bus Chassis
SP	5100	110 Utility—2 Ton—Cab Over Engine
SR	5400	134 Utility—2 Ton—Cab Over Engine
SS	5700	158 Utility—2 Ton—Cab Over Engine



# CAR MODEL SERIAL IDENTIFICATION

## 1950

Series	Wheel-base	Type of Vehicle	Series	Wheel-base	Type of Vehicle
HK	2100	115 Passenger (DeLuxe) (Styleline and Fleetline)	KP	3100	116 Commercial— $\frac{1}{2}$ Ton Truck
HI	1500	115 Passenger (Special) (Styleline and Fleetline)	KR	3600	125 $\frac{1}{4}$ Commercial— $\frac{3}{4}$ Ton Truck
HP	3100	116 Commercial— $\frac{1}{2}$ Ton Truck	KT	3700	125 $\frac{1}{4}$ Commercial— $\frac{3}{4}$ Ton Truck (Dabl-Duti) (Forward Control Delivery Chassis)
HR	3600	125 $\frac{1}{4}$ Commercial— $\frac{3}{4}$ Ton Truck	KS	3800	137 Commercial—1 Ton Truck
HT	3700	125 $\frac{1}{4}$ Commercial— $\frac{3}{4}$ Ton Truck (Dabl-Duti) (Forward Control Delivery Chassis)	KU	3900	137 Commercial—1 Ton Truck (Dabl-Duti) (Forward Control Delivery Chassis)
HS	3800	137 Commercial—1 Ton Truck	VJ	4100	137 Utility—1 $\frac{1}{2}$ Ton Truck
HU	3900	137 Commercial—1 Ton Truck (Dabl-Duti) (Forward Control Delivery Chassis)	VK	4400	161 Utility—1 $\frac{1}{2}$ Ton Truck
TI	4100	137 Utility—1 $\frac{1}{2}$ Ton Truck	VL	4500	161 Utility—1 $\frac{1}{2}$ Ton School Bus Chassis
TK	4400	161 Utility—1 $\frac{1}{2}$ Ton Truck	VV	6100	137 Utility—2 Ton Truck
TL	4500	161 Utility—School Bus Chassis	VW	6400	161 Utility—2 Ton Truck
TV	6100	137 Utility—2 Ton Truck	VY	6500	179 Utility—2 Ton Truck
TW	6400	161 Utility—2 Ton Truck	VX	6700	199 Utility—2 Ton School Bus Chassis
TY	6500	179 Utility—2 Ton Truck	VZ	6800	212 Utility—2 Ton School Bus Chassis
TX	6700	199 Utility—School Bus Chassis	VP	5100	110 Utility—2 Ton—Cab Over Engine
TP	5100	110 Utility—2 Ton—Cab Over Engine	VR	5400	134 Utility—2 Ton—Cab Over Engine
TR	5400	134 Utility—2 Ton—Cab Over Engine	VS	5700	158 Utility—2 Ton—Cab Over Engine
TS	5700	158 Utility—2 Ton—Cab Over Engine			

## 1951

JK	2100	115 Passenger (DeLuxe) (Styleline and Fleetline)
JJ	1500	115 Passenger (Special) (Styleline and Fleetline)
JP	3100	116 Commercial— $\frac{1}{2}$ Ton Truck
JR	3600	125 $\frac{1}{4}$ Commercial— $\frac{3}{4}$ Ton Truck
JT	3700	125 $\frac{1}{4}$ Commercial— $\frac{3}{4}$ Ton Truck (Dabl-Duti) (Forward Control Delivery Chassis)
JS	3800	137 Commercial—1 Ton Truck
JU	3900	137 Commercial—1 Ton Truck (Dabl-Duti) (Forward Control Delivery Chassis)
UJ	4100	137 Utility—1 $\frac{1}{2}$ Ton Truck
UK	4400	161 Utility—1 $\frac{1}{2}$ Ton Truck
UL	4500	161 Utility—School Bus Chassis
UV	6100	137 Utility—2 Ton Truck
UW	6400	161 Utility—2 Ton Truck
UY	6500	179 Utility—2 Ton Truck
UX	6700	199 Utility—School Bus Chassis
UP	5100	110 Utility—2 Ton—Cab Over Engine
UR	5400	134 Utility—2 Ton—Cab Over Engine
US	5700	158 Utility—2 Ton—Cab Over Engine

## 1952

EK	2100	115 Passenger (DeLuxe) (Styleline and Fleetline)
EJ	1500	115 Passenger (Special) (Styleline)

## 1952-54

A	1500	115 Passenger (One Fifty) (exc. 1508)
B	2100	115 Passenger (Two-Ten)
C	2400	115 Passenger (Bel Air)
D	1508	115 Sedan Delivery
H	3100	116 Commercial— $\frac{1}{2}$ Ton Truck
J	3600	125 $\frac{1}{4}$ Commercial— $\frac{3}{4}$ Ton Truck
K	3700	125 $\frac{1}{4}$ Commercial— $\frac{3}{4}$ Ton Truck (Dabl-Duti) (Forward Control Delivery Chassis)
L	3800	137 Commercial—1 Ton Truck
M	3900	137 Commercial—1 Ton Truck (Dabl-Duti) (Forward Control Delivery Chassis)
N	4100	137 Utility—1 $\frac{1}{2}$ Ton Truck
P	4400	161 Utility—1 $\frac{1}{2}$ Ton Truck
R	4500	161 Utility—School Bus Chassis
S	5100	110 Utility—2 Ton—Cab Over Engine
T	5400	134 Utility—2 Ton—Cab Over Engine
U	5700	158 Utility—2 Ton—Cab Over Engine
V	6100	137 Utility—2 Ton Truck
W	6400	161 Utility—2 Ton Truck
X	6500	179 Utility—2 Ton Truck
Y	6700	199 Utility—School Bus Chassis
Z	6800	212 Utility—School Bus Chassis

NOTE: The 235 cu. in. engine can be distinguished from the 216 engine by the engine serial number prefix as follows:

1941 AG or AL  
 1942 BG or BL  
 1946 BG or BL (First Design)  
 1946 DDA, DDM, DEA or DEM (Second Design)  
 1947 EDA, EDM, EEA or EEM  
 1948 FDA, FDM, FEA or FEM  
 1949 GDA, GDM, GEA or GEM  
 1950 HDA, HDM, HEA, or HEM  
 1951 IDA, IDM, IEA, or IEM  
 1952 KDA, KDM, KEA, or KEM  
 1953 LDA, LDM, LEA, or LEM

NOTE: The 261 cu. in. engine can be distinguished from the 235 engine by the engine serial number suffix as follows:

1954 5000 Series F54Q  
 1954 6000 Series F54N

NOTE: Heavy Duty front axles which are regular production on 2-Ton, C.O.E. and School Bus chassis are special equipment on series YR, YS, MR, MS, OR, OS, and may be identified by the front wheel hub cap. This cap is attached to the hub with six  $\frac{1}{4}$ —20 x  $\frac{7}{8}$  hex hd. bolts on a 3 $\frac{1}{2}$  dia. bolt circle.

NOTE: All 2-Ton Utility Models with an (S) added to the series identification plate are identical with regular 2-Ton jobs with the exception of tires.



**~ BLANK PAGE ~**

**~ BLANK PAGE ~**

# ALPHABETICAL INDEX

Part Name	Group No.	Part Name	Group No.	Part Name	Group No.
<b>A</b>					
Absorber, Front shock with upper arm	6.162	Arm rest, Front door	14.686, 16.155	Back wind. garnish mldg. escutcheon	11.133
Absorber, Shock	7.345	Arm rest, Rear quarter	15.108	Back window inner panel	12.964
Accel. and carb. control lever pin	3.585	Arm rest trim retainer	14.690	Back window mldg. screw & clip	16.475
Accelerator bell crank	3.579	Arm, Steering and third	6.103	Baffle, Air flow duct	9.784
Accelerator ballcrank brkt.	3.579	Arm, Steering knuckle	6.103	Baffle, Crankcase vent. tube	1.750
Accelerator, frt. rod bushing	3.425	Arm, Strg. knuckle supt. with seat	6.168	Baffle, Front fender	8.164
Accelerator, frt. rod swivel	3.425	Arm, Valve rocker	0.333	Baffle, Hood panel	8.010
Accelerator lever rod	3.430	Arm, Windshield wiper	10.147, 16.063	Baffle, Oil filler	1.750
Accelerator lever shaft	3.585	Armature, Generator	2.279	Baffle, Radiator grille	1.286
Accelerator pedal and cover	3.451	Armature, Starting motor	2.043	Baffle, Radiator shell	1.285
Accelerator rod	3.425	Ash receiver mtg. pivot pin	12.016	Baffle, Vac. brake cyl. air cleaner	4.913
Accelerator rod button	3.451	Ash receiver retainer	12.016	Baffle, Water pump rotor	1.081
Accelerator rod lever	3.579	Ash receiver tray	12.013, 16.120	Bag, Top dust boot retainer	13.450
Accelerator rod pedal bracket pin	3.455	Ash receiver unit	12.009	Bail and screw, Fuel pump bowl	3.906
Accelerator rod toe board grommet	3.469	Ash receptacle	12.030	Bail, Fldg. top hyd. motor and pump	14.486
Accelerator rod toe board seal	3.469	Ash receptacle knob	12.036	Balancer, Crankshaft harmonic	0.659
Accelerator rod toe board washer	3.463	Ash tray anti-rattle spring	12.050	Ball and separator, Wheel brg.	6.318, 6.319
Accelerator spring and pin	3.459	Ash tray escutcheon	12.048	Ball, Carburetor check valve	3.825, 3.862
Accelerator spring clip	3.465	Ash tray handle	16.120	Ball, Clutch fork	0.798
Adapter, Air flow	9.786	Ash tray mounting plate	12.018	Ball, Gear shift locating	4.311
Adapter, Speedometer	4.329	Ash tray snuffer	12.014, 16.120	Ball, Steel	8.898
Adapter, Steering gear hyd. cyl.	6.584	Assist handle, Body side	16.450	Ball, Steering gear	6.844
Adapter Unit, Automatic choke	3.750	Assist handle infct. & spacer	16.450	Ball, Steering knuckle arm	6.108
Adapter, Vac. brake hyd. cyl. pipe fitting	4.657	Assist strap	15.390	Ball, Transmission shifter yoke	4.303
Adjuster assy., Front seat	11.561, 16.682	Assist strap escutcheon and washer	15.394	Ball, Universal joint	5.564
Adjuster, Pitman shaft lash	6.822	Assist strap to body screw, Spring and retainer	15.392	Band assy., Brake	4.251
Adjuster, Steering gear worm bearing	6.830	Attaching bar, Bumper	7.836	Band, Generator commutator cover	2.299
Adjuster, Steering gear worm thrust	6.532	Attaching Parts, Dr. & qr. mldg.	12.118	Band, Start. motor commutator cover	2.070
Air cleaner element	3.410	Auto compass unit	8.873	Band, Trans. low or reverse brake	4.251
Air cleaner, Gearshift vac. cylinder	4.058	Automatic choke adapter unit	3.750	Bank, Automatic hdp. control	2.463
Air cleaner hose support	3.407	Automatic headlamp control bracket pad	2.463	Bar, Bumper attaching	7.836
Air cleaner pipe	3.407	Automatic headlamp control aux. switch	2.459	Bar, Bumper face	7.831
Air cleaner, Rocker arm cover	0.386	Automatic transmission fluid	4.101	Bar, Fender guard face	7.832
Air cleaner support	3.403	Autronic eye unit	2.459	Bar, Grille and trunk guard	7.828
Air cleaner to carburetor pipe hose	3.407	Auxiliary lamp and parts	9.774	Bar, Parking brake pedal latch	4.603
Air cleaner top cover	3.410	Auxiliary seat	16.670	Bar, Rear guard cross	7.828
Air Deflector, Radiator grille	1.265	Auxiliary seat, Attaching parts	16.674	Bar, Transmission gear shift	4.305
Air flow adapter	9.786	Auxiliary seat bracket	16.674	Base, Horn	2.809
Air flow control rod and tube	9.787	Axle bracket, Shock absorber	7.380	Battery cable, Starter switch terminal	2.347
Air flow duct baffle	9.784	Axle filler plug	5.400	Battery cable, Starting switch	2.342
Air flow duct elbow assy	9.782	Axle "I" beam, Front	6.008	Battery clamp spacer	2.334
Air flow duct hose coupling	9.786	Axle shaft	5.420	Battery filler plug	2.345
Air flow heater control	9.785	Axle shaft bearing	5.855	Battery ground cable & strap	2.341
Air flow heater ranco valve	9.785	Axle shaft bearing parts	5.822	Battery hanger	2.333
Air flow heater temp. control rod	9.836	Axle shaft bearing retainer	5.815	Battery hanger bottom plate	2.333
Air flow ventilator valve assy.	9.810	Axle shaft bearing retainer nut	5.829	Battery hanger bolt and nut	2.334
Air horn, Carburetor	3.730	Axle shaft key	5.423	Battery hanger brace	2.333
Ammeter	2.515	Axle shaft lock	5.422	Battery hanger bracket	2.333
Ammeter insulator	2.521	Axle shaft nut	5.421	Battery hanger support	2.333
Ammeter to starting switch harness	2.525	Axle shaft nut lock	5.830	Battery inspection cover	16.547
Anchor nut, Windshield	16.012	Axle shaft spacer	5.422	Battery retainer	2.333
Anchor plate, Rear shock absorber	7.370	Axle shaft stud	5.422	Battery shield	2.333
Anchor, Trans. lo or reverse brake band strut	4.233, 4.246	Axle shaft washer	5.422	Battery strap assy.	2.333
Anchor, Trans. parking brake	4.294	Axle shifter vac. power unit gasket	5.635	Battery terminal washer	2.345
Antenna unit, Radio	9.645	Axle shifter vac. power unit mtg. stud	5.635	Bead, Door window garnish moulding	11.086, 11.101
Anti-freeze, Radiator	1.175	<b>B</b>			
Anti-freeze, Windshield washer	9.800	Back assembly, Front seat	11.359, 16.690	Bead, Qtr. window garnish mldg.	11.113
Anti-squeak, Front fender	9.161	Back assy., Drivers seat	16.680	Bearing assy., Front wheel inner	6.311
Anti-squeak, Hood ledge cowl	9.127	Back body opening facing	12.968	Bearing assy., Front wheel outer	6.313
Anti-squeak, Radiator	1.278	Back body opening panel	12.968	Bearing assy., Steering gear	6.521
Anti-squeak, Rear fender	8.205	Back curtain	13.389, 17.274	Bearing, Axle shaft	5.855
Anti-squeak, Running board apron	8.237	Back curtain glass frame	13.383	Bearing, Camshaft 0.539, 0.543, 0.546, 0.549	0.533
Anti-squeak, Running board	8.205	Back curtain zipper	13.382	Bearing, Camshaft thrust	0.533
Apron, Running board	8.228	Back door	10.390, 16.160	Bearing, Clutch throwout	0.799
Arm and brkt. assy., End gate supt.	12.203	Back door hinge	10.461, 16.320	Bearing, Crankshaft	0.098, 0.101, 0.103, 0.106
Arm assy., Strg. idler and 3rd	6.179	Back dr. inside lock handle	16.333	Bearing, Crankshaft center	0.101
Arm, Brake	4.625	Back dr. inside lock screw	16.333	Bearing, Crankshaft clutch pilot	0.649
Arm, Carburetor pump	3.845	Back dr. opening finishing moulding	10.393	Bearing, Crankshaft frt. intermed.	0.099
Arm, Clutch pedal	0.832	Back of front seat back trim	14.810	Bearing, Crankshaft rear intermed.	0.103
Arm, Distributor vac. control clamp	2.418	Back, Rear seal	14.998	Bearing, Differential side	5.536
Arm, Generator brush	2.291	Back-up lamp gasket	2.697	Bearing, Double reduction pinion	5.462
Arm, Pitman	6.859	Back-up lamp pad	2.697	Bearing, End gate hinge	17.208
Arm, Rear compartment lid hinge	12.187	Back-up lamp switch	2.697	Bearing, Generator	2.306
Arm, Rear view mirror	16.068	Back-up lamp unit	2.697	Bearing, King pin thrust	6.210
Arm, Rear window wiper	11.251	Back window garnish moulding	11.120	Bearing kit, Steering gear shaft	6.534
Arm rest ash tray	12.045	Back window glass reveal mldg.	11.208	Bearing, Mast jacket	6.521
Arm rest cover trim, Rear quarter	15.110			Bearing, Pinion shaft front	5.447
				Bearing, Pinion shaft rear	5.484
				Bearing, Pitman shaft needle	6.786
				Bearing, Propeller shaft	5.436

Bearing, Steering gear worm...	6.808, 6.826
Bearing, Steering gear worm thrust...	6.530
Bearing, Strg. gear hyd. pump drive shaft	6.615
Bearing, Trans. main drive gear	4.355
Bearing, Trans. main shaft rear	4.408
Bearing, Trans. output shaft	4.408
Bearing, Trans. rear oil pump	4.203
Bearing, Trans. spline shaft pilot	4.352
Bearing, Transmission countershaft	4.422
Bearing unit, Connecting rod	0.616
Bearing unit, Crankshaft frt.	0.086
Bearing, Universal joint yoke	5.586
Bell crank, Accelerator rod	3.579
Bell crank, Strg. col. gearshift control	4.019
Bell crank stud	4.019
Bellows, Brake cable	4.834
Bellows, Starter pedal	2.014
Belt, Fan and generator	1.066
Belt, Strg. gear hyd. pump drive	6.669
Bezel, Instrument case	9.746
Binding, Front seat back finish	14.820
Binding, Headlining finish	14.850
Binding, Hidem	15.534
Blade, Fan	1.064
Blade, Windshield wiper	10.148, 16.062
Blind nut	8.919
Block assembly, Cylinder	0.033
Block assembly, Partial cylinder	0.033
Block, Fuse	2.483
Block, Headlamp wire junction	2.580
Block, Hot water heater terminal	8.852
Block, Junction	2.483, 8.852
Board, Rear compartment division	12.584
Board, Running	8.299
Board, Spare tire cover	12.579
Body assembly	10.001
Body assembly, Dome lamp	11.827
Body assy., Carburetor	3.729
Body assy., Strg. gear hyd. pump reservoir	6.685
Body assy., Trans. frt. servo	4.226
Body assy., Trans. frt. servo over run	4.227
Body assy., Trans. rr. servo	4.239
Body assy., Trans. rr. servo accumulator	4.250
Body assy., Transmission valve	4.216, 4.265
Body back lower panel	12.966
Body bracket and support	7.330
Body center pillar trim assy.	14.730
Body, Carburetor throttle	3.729
Body floor moulding	11.370
Body front end panel	17.455
Body hinge pillar facing	12.859
Body hinge pillar panel	16.578
Body hinge pillar w/cord	14.665
Body hold down bolt	9.008
Body lining deadener felt	15.492
Body lock pillar	12.491, 16.520
Body lock pillar moulding, Rear	12.498
Body lock pillar panel, Rear	12.498
Body lock pillar rear panel assy., Outer	12.863
Body lock pillar trim ret.	11.380
Body lock pillar w/cord	14.735
Body lower panel, Rear	17.166
Body mounting bracket, Shackles and bushing	9.009
Body, Oil distributor	1.785
Body, Parking lamp	2.588
Body polish, Cleaner, wax and cream	8.800
Body shim	9.023
Body side assy.	17.110, 17.505
Body side panel, Inner	17.134
Body side washer	17.110
Body sill extension panel	8.307
Body sill moulding	8.304
Body sill moulding bolt	8.309
Body sill moulding clip	8.309
Body, Steering gear hyd. pump	6.608
Body transfer, Exterior	10.854
Body undercoat	8.800
Body upper panel	16.595
Body, Vac. power brake cyl. valve	4.940
Body wiring harness	13.050
Bolt, Auxiliary seat hinge	16.874
Bolt, Axle gearshift lever attach.	5.621
Bolt, Axle shaft	5.422
Bolt, Battery cable terminals	2.343
Bolt, Battery hanger	2.334
Bolt, Body hold down	9.008
Bolt, Body side	8.909
Bolt, Body sill moulding	8.309
Bolt, Brake cable	4.833
Bolt, Brake flange plate	5.002
Bolt, Brake pedal pull rod and adj.	4.637
Bolt, Brake rod	4.823
Bolt, Bumper	7.874
Bolt, Carburetor body	3.741
Bolt, Carriage	8.903
Bolt, Clutch cover and press. plate	0.870
Bolt, Clutch pedal adjusting	0.841
Bolt, Clutch press. plate retracting	0.864
Bolt, Clutch spring retainer	0.866
Bolt, Compartment lid support	12.204
Bolt, Connecting rod clamp	0.609
Bolt, Connecting rod bearing cap	0.623
Bolt, Cowl vent, adj. link bracket	18.135
Bolt, Crankshaft bearing cap	0.056
Bolt, Crankshaft front end cover	0.206
Bolt, Cylinder head	0.293
Bolt, Differential carrier cap	5.506
Bolt, Differential case	5.513
Bolt, Door dovetail bpr. wedge plate	10.585
Bolt, Door frame stiffener	10.379
Bolt, Door hinge to hinge pillar	10.463, 16.325
Bolt, Double reduction gear	5.479
Bolt, End gate	12.195
Bolt, Engine hold down	0.002
Bolt, Engine mounting	0.002
Bolt, Filister slotted head	8.907
Bolt, Flat slotted head	8.908
Bolt, Flange plate	5.002
Bolt, Fldg. seat upper to lower hinge	11.380
Bolt, Fldg. top female hinge	14.310
Bolt, Fldg. top hinge	14.320
Bolt, Fldg. top No. 1 bow	14.225, 14.250
Bolt, Fldg. top No. 1 bow link	14.300
Bolt, Fldg. top side rail control link	14.155
Bolt, Fldg. top side roof rail	14.110, 14.180
Bolt, Fluid coupling	4.118
Bolt, Flywheel to crankshaft	0.669
Bolt, Flywheel underpan	0.679
Bolt, Front fender	8.149
Bolt, Front propeller shaft bearing	5.432
Bolt, Front spring eye	7.428
Bolt, Front stabilizer link	7.238
Bolt, Gas tank strap	3.023
Bolt, Gearshift operating lever	4.044
Bolt, Gearshift lever link	4.006
Bolt, Generator bracket	2.277
Bolt, Generator through	2.316
Bolt, Grille center moulding	1.269
Bolt, Hexagon head	8.900
Bolt, Hold down	9.008
Bolt, Hood catch lock plate	8.065
Bolt, Hood hinge cowl bracket	8.016
Bolt, Hub	5.912
Bolt, Hyd. brake cyl. connector	4.686
Bolt, Instr. panel comp. door lock	10.270
Bolt, Main cylinder outlet fitting	4.661
Bolt, Muffler strap	3.704
Bolt, Muffler support insulator	3.707
Bolt, Oil pan attaching	1.428
Bolt, Oil pump screen cover	1.664
Bolt, Oil pump screen cover mlt.	1.663
Bolt, Oval slotted head	8.909
Bolt, Parking brake lever anchor	5.158
Bolt, Parking brake oper. lever shaft lock	5.610
Bolt, Parking brake outer shoe adj.	5.610
Bolt, Parking brake pedal lock bar	4.595
Bolt, Pitman arm stop	6.653
Bolt, Pitman shaft housing adj.	6.788
Bolt, Pitman shaft housing pivot	6.791
Bolt, Platform mounting	17.447
Bolt, Prop. shaft and "U" joint attach.	5.563
Bolt, Prop. shaft brake to flange	5.563
Bolt, Quarter belt moulding	12.118
Bolt, Quarter window hinge pivot	11.057
Bolt, Radiator mounting	1.270
Bolt, Radiator name plate attaching	1.307
Bolt, Radius rod bracket	5.012
Bolt, Rear fender	8.206
Bolt, Rear fender moulding	12.118
Bolt, Rear spring seat	5.404
Bolt, Rear spring shackles	7.528
Bolt, Ring and trunnion bearing	5.583
Bolt, Ring gear	5.531
Bolt, Round slotted head	8.908
Bolt, Shock absorber	7.395
Bolt, Shock absorber link	7.356
Bolt, Shroud attaching	1.277
Bolt, Spring center	7.506
Bolt, Spring leaf clip	7.514
Bolt, Spring shackles	7.428, 7.434
Bolt, Starting motor	2.077
Bolt, Steering gear to frame	6.509
Bolt, Stop	8.902
Bolt, Strg. gear hyd. pump reservoir pipe to cyl.	8.679
Bolt, Strg. idler and 3rd arm brkt. attach.	6.186
Bolt, Strg. knuckle supt. lwr. arm shaft	6.172
Bolt, Strg. knuckle supt. lwr. pivot arm	6.174
Bolt, Tail pipe bracket	3.709
Bolt, Throttle and accel. lever	3.582
Bolt, Torque conv. cover to flywheel	4.115
Bolt, Torque conv. cover to housing	4.115
Bolt, Torque converter primary	4.115
Bolt, Trans. case to housing	4.104
Bolt, Trans. fluid coupling valve ret.	4.121
Bolt, Trans. front servo	4.226
Bolt, Trans. main dr. gear brg. ret.	4.358
Bolt, Trans. oil pump	4.203
Bolt, Trans. parking brake	4.294
Bolt, Trans. rear brg. ret. attach.	4.317
Bolt, Trans. to "U" joint attach.	4.405
Bolt, Trans. turbine	4.115
Bolt, Trans. valve body attaching	4.217
Bolt, Transmission mounting	4.067
Bolt, U/J flange to park brake drum	5.563
Bolt, Upper arm and shk. abs. assy. attach.	6.163
Bolt, Vac. power brake cyl. hook	4.911
Bolt, Valve rocker shaft support	0.366
Bolt, Wheel carrier	7.632
Bolt, Wheel carrier clamp	7.632
Bolt, Wheel hub front and rear	5.912
Boot, Brake wheel cyl.	4.670
Boot, Gearshift operating lever	4.044
Boot, Main cylinder rubber	4.659
Boot, Top dust	13.450
Boot, Vacuum cyl. piston rod	4.644
Boot, Wheel brake cylinder	4.670
Bow, Fldg. top auxiliary	14.130
Bow, Fldg. top No. 1	14.215, 14.240
Bow, Fldg. top rear	14.340
Bow, Roof	12.952
Bow, Top	16.745
Bowl, Carburetor float	3.734
Bowl, Fuel pump	3.903
Bowl, Gas filter	3.890
Box assy., Front door	10.450, 10.454
Box, Instrument panel comp.	10.260, 16.110
Box, Rear compartment lid hinge	12.184
Brace, Battery hanger	2.333
Brace, Body hinge pillar	16.509
Brace, Cross member	7.039
Brace, Dash	12.850
Brace, Engine rear support	7.228
Brace, Fldg. top front roof rail	14.095
Brace frame to rear bpr. bar bracket	7.870
Brace, Front fender	8.144
Brace, Front fender cap	8.133
Brace, Front fender skirt	8.155
Brace, Generator	2.917
Brace, Grille and trunk guard	7.830
Brace, Hinge pillar to floor	12.659
Brace, Instrument panel to cowl	12.657, 16.085

Brace, Lock pillar to floor ..... 12.684  
 Brace, Rear compartment gutter ..... 12.996  
 Brace, Rear fender ..... 8.212  
 Brace, Rear seat back comp. panel ..... 12.768  
 Brace, Rear view mirror ..... 16.068  
 Brace, Road rail to wheelhouse ..... 12.956  
 Brace, Running board mat ..... 8.315  
 Brace, Sub frame ..... 7.008  
 Brace, Vacuum brake cylinder ..... 4.888  
 Brace, Wheel carrier ..... 7.782  
 Bracket, Accelerator control bellcrank ..... 3.579  
 Bracket, Accel. control lever ..... 3.455  
 Bracket, Accel. control wire ..... 3.483  
 Bracket, Accel. pedal ..... 3.452  
 Bracket assy., Strg. idler and  
 3rd arm ..... 6.186  
 Bracket assy., Trans. parking brake ..... 4.290  
 Bracket, Auxiliary seat back ..... 16.674  
 Bracket, Auxiliary spring ..... 7.526  
 Bracket, Axle gearshift rod idler  
 lever ..... 5.629  
 Bracket, Battery hanger ..... 2.333  
 Bracket, Body ..... 7.330  
 Bracket, Body hinge pillar ..... 16.509  
 Bracket, Body mounting ..... 9.009  
 Bracket, Brake cable ..... 4.829  
 Bracket, Brake cross shaft ..... 4.803  
 Bracket, Brake flange radius rod ..... 5.004  
 Bracket, Brake hose ..... 4.681  
 Bracket, Brake idler lever parking ..... 4.797  
 Bracket, Brake lever parking ..... 4.806  
 Bracket, Brake main cylinder ..... 4.848  
 Bracket, Brake pedal and main cyl. .... 4.648  
 Bracket, Brake pull rod ..... 4.820  
 Bracket, Carburetor choke tube ..... 3.733  
 Bracket, Clutch pedal pull back sprg. .... 0.846  
 Bracket, Clutch pedal shaft ..... 0.847  
 Bracket, Dash hood hinge rod ..... 16.554  
 Bracket, Distr. vacuum control mtg. .... 2.413  
 Bracket, Door check ..... 16.440  
 Bracket, Drivers seat adj. .... 16.686  
 Bracket, End gate chain ..... 17.635  
 Bracket, End gate hinge ..... 17.625  
 Bracket, End gate lock ..... 12.233  
 Bracket, Engine mounting ..... 0.027, 7.228  
 Bracket, Engine side pan ..... 8.120  
 Bracket, Engine side support ..... 0.027  
 Bracket, Frame to hpr. attach. bar ..... 7.869  
 Bracket, Front fender ..... 8.153  
 Bracket, Front fender skirt ..... 8.155  
 Bracket, Front fender support ..... 8.145  
 Bracket, Front license plate ..... 7.796  
 Bracket, Front prop. shaft bearing ..... 5.432  
 Bracket, Front seat hinge arm ..... 11.375  
 Bracket, Front spring bumper ..... 7.421  
 Bracket, Front stabilizer shaft ..... 7.242  
 Bracket, Front stabilizer supt. link ..... 7.245  
 Bracket, Gas tank ..... 3.015  
 Bracket, Gearshift ..... 4.008  
 Bracket, Gearshift latch rod ..... 4.030  
 Bracket, Gearshift vac. cyl. support. .... 4.006  
 Bracket, Generator ..... 2.277  
 Bracket, Grille and trunk guard ..... 7.830  
 Bracket, Hand brake cable axle ..... 4.829  
 Bracket, Hood catch control rod tube ..... 8.077  
 Bracket, Hood hinge ..... 8.013  
 Bracket, Hood or shell catch ..... 8.007  
 Bracket, Hood support rod ..... 8.013  
 Bracket, Hood supt. and dash hinge  
 rod ..... 8.058  
 Bracket, Horn ..... 2.845  
 Bracket, Instrument panel ..... 16.085  
 Bracket, License and tail lamp ..... 2.662, 2.670  
 Bracket, Muffler ..... 3.704  
 Bracket, Muffler support ..... 3.704  
 Bracket, Muffler tail pipe ..... 3.706  
 Bracket, Parking brake ..... 4.800  
 Bracket, Parking brake pedal shaft. .... 4.648  
 Bracket, Parking brake release rod ..... 4.584  
 Bracket, Parking lamp  
 housing mounting ..... 2.587  
 Bracket, Rear license lamp ..... 2.705  
 Bracket, Rr. license plate ..... 2.670  
 Bracket, Rr. spring ..... 7.113, 7.535  
 Bracket, Rear view mirror ..... 10.187, 16.069  
 Bracket, Shock absorber axle ..... 7.380

Bracket, Shock absorber frame ..... 7.395  
 Bracket, Side window ..... 17.136  
 Bracket, Starter pedal ..... 2.008  
 Bracket, Steering column ..... 6.780  
 Bracket, Steering gear mounting ..... 7.233  
 Bracket, Steering gear  
 mounting frame ..... 6.797  
 Bracket, Tail lamp ..... 2.862, 2.864  
 Bracket, Trans. support mounting ..... 4.083  
 Bracket, Vac. brake check valve ..... 4.955  
 Bracket, Vac. brake cyl. air cleaner ..... 4.913  
 Bracket, Vacuum brake cylinder ..... 4.298  
 Bracket unit, Rr. view mirror ..... 18.069  
 Bracket, Wheel carrier ..... 7.751  
 Bracket, Wheel carrier rail ..... 7.751  
 Bracket, Wheel carrier strap ..... 7.780  
 Bracket, Wheel carrier track ..... 7.780  
 Bracket, Windshield ..... 16.045  
 Bracket, Windshield wiper motor ..... 16.065  
 Brake arm ..... 4.625  
 Brake band assy. .... 4.251  
 Brake cable ..... 4.826  
 Brake cable bellows and seal ..... 4.834  
 Brake cable bolt and pulley ..... 4.833  
 Brake cable bracket ..... 4.829  
 Brake cable to flange plate clamp ..... 4.833  
 Brake cam ..... 5.130  
 Brake camshaft brg. shaft. .... 5.147  
 Brake camshaft hole cover ..... 5.188  
 Brake camshaft hole spring and cover ..... 5.188  
 Brake camshaft lever adj. screw. .... 5.195  
 Brake camshaft lever rod cross head ..... 5.200  
 Brake camshaft lever rod, Front. .... 5.148  
 Brake camshaft lever rod housing. .... 5.135  
 Brake camshaft lever rod roller, Frt. .... 5.199  
 Brake camshaft operating lever. .... 5.152  
 Brake clevis pin ..... 4.823  
 Brake cross shaft ..... 4.788  
 Brake cross shaft bracket and supt. .... 4.809  
 Brake cross shaft lever ..... 4.792  
 Brake cross shaft spring ..... 4.796  
 Brake cyl. pipe clip ..... 4.663  
 Brake cyl. wheel boot. .... 4.670  
 Brake drum ..... 5.809  
 Brake drum adj. hole cover ..... 5.810  
 Brake drum deflector ..... 6.323  
 Brake drum gasket ..... 5.811  
 Brake drum retaining nut ..... 5.810  
 Brake drum shield unit ..... 5.810  
 Brake drum spring ..... 5.810  
 Brake facing rivet ..... 5.019  
 Brake flange plate assembly ..... 5.001  
 Brake flange plate bolt and spacer ..... 5.002  
 Brake flange plate rivet ..... 5.002  
 Brake flange plate shim ..... 5.002  
 Brake flange radius rod bracket ..... 5.004  
 Brake flange radius rod seal ..... 5.005  
 Brake fig. idler lever link pin ..... 5.228  
 Brake fig. idler lever release spring ..... 5.222  
 Brake fluid ..... 4.689  
 Brake idler lever bracket, Parking ..... 4.797  
 Brake hose assembly ..... 4.680  
 Brake hose bracket ..... 4.681  
 Brake hose connector ..... 4.686  
 Brake inlet connector washer ..... 4.671  
 Brake lever anchor ..... 4.608  
 Brake lever anchor bolt ..... 5.158  
 Brake lever bracket ..... 4.606  
 Brake lever extension spring ..... 5.151  
 Brake lever hole cover spring pin ..... 5.188  
 Brake lever pull rod yoke ..... 4.824  
 Brake lever seal, Parking ..... 4.612  
 Brake lever seal plate, Parking ..... 4.615  
 Brake lever spacer, Parking ..... 4.605  
 Brake lever support, Parking ..... 4.606  
 Brake lever support spacer ..... 4.634  
 Brake main cyl. adjusting clevis. .... 4.662  
 Brake main cyl. bracket,  
 Lever & shaft. .... 4.634  
 Brake main cyl. inspection cover. .... 12.541  
 Brake main cyl. pipe connector bolt ..... 4.661  
 Brake main cyl. piston return spring ..... 4.655  
 Brake main cyl. piston stop plate. .... 4.656  
 Brake main cyl. rubber boot. .... 4.659  
 Brake main cylinder cover ..... 4.663  
 Brake main cylinder outlet nut. .... 4.652

Brake main cylinder push rod. .... 4.658  
 Brake main cylinder repair kit. .... 4.649  
 Brake main cyl. valve seat washer. .... 4.657  
 Brake parts, Prop. shaft (Dual-Shoe). .. 5.610  
 Brake parts, Prop. shaft (Tru-Stop) ... 5.606  
 Brake parts repair kit ..... 5.026  
 Brake pawl rod grip, Parking ..... 4.600  
 Brake pedal ..... 4.625  
 Brake pedal and main cyl. bracket. .. 4.648  
 Brake pedal and main cyl. lever ..... 4.634  
 Brake pedal bushing ..... 4.626  
 Brake pedal pad ..... 4.630  
 Brake pedal pull back spring. .... 4.827  
 Brake pedal pull rod bolt ..... 4.637  
 Brake pedal shaft. .... 0.833  
 Brake pedal shaft parts ..... 0.837  
 Brake pipe clip ..... 4.666, 6.950  
 Brake pull back spring pin ..... 5.026  
 Brake pull rod ..... 4.826  
 Brake pull rod adjustment clevis. .... 4.824  
 Brake pull rod brkt., Suppt. & guide .. 4.820  
 Brake rod ..... 4.625  
 Brake rod bolt. .... 4.823  
 Brake shoe adj. screw ..... 5.110  
 Brake shoe adj. screw lock spring ... 5.111  
 Brake shoe adj. screw nut ..... 5.111  
 Brake shoe adj. screw socket ..... 5.111  
 Brake shoe anchor pin ..... 5.055  
 Brake shoe anchor pin lock ..... 5.057  
 Brake shoe anchor pin washer ..... 5.056  
 Brake shoe anchor plate. .... 5.075  
 Brake shoe facing ..... 5.018  
 Brake shoe friction pin lock. .... 5.030  
 Brake shoe friction spring. .... 5.028  
 Brake shoe guide plate ..... 5.045  
 Brake shoe guide spring. .... 5.046  
 Brake shoe hold down bolt and nut .. 5.043  
 Brake shoe hold down bolt washer .. 5.043  
 Brake shoe hold down pin unit ..... 5.043  
 Brake shoe link ..... 5.036  
 Brake shoe link pin. .... 5.034  
 Brake shoe pivot ..... 5.020  
 Brake shoe spring. .... 5.026  
 Brake shoe spring guide ..... 5.026  
 Brake shoes with facings ..... 5.017  
 Brake unit, Vacuum power ..... 4.898  
 Brake wheel cyl. adj. gear and cover ..... 4.674  
 Brake wheel cyl. boot ..... 4.670  
 Brake wheel cyl. shield ..... 4.670  
 Brake wheel cyl. to brake shoe thrust  
 rod ..... 4.675  
 Brake wheel cylinder adj. screw. .... 4.672  
 Brake wheel cylinder and repair kit. .. 4.665  
 Brake wheel cylinder bleeder valve. .. 4.666  
 Brake wheel cylinder piston cup. .... 4.667  
 Brake wheel cylinder piston spring .. 4.669  
 Brush, Fldg. top motor. .... 14.482  
 Brush, Generator ..... 2.285  
 Brush holder, Starting motor ..... 2.052  
 Brush, Starting motor ..... 2.051  
 Bulb, Dome lamp ..... 11.928  
 Bulb, Lamp ..... 3.991  
 Bumper attaching bar ..... 7.836  
 Bumper, Body pillar to door ..... 10.587  
 Bumper bolt ..... 7.874  
 Bumper braces, Rear ..... 7.870  
 Bumper, Clutch pedal floor board ..... 0.829  
 Bumper deflector and parts, Rear ..... 7.833  
 Bumper, Door ..... 16.400  
 Bumper, Door check link cushion ..... 10.614  
 Bumper, Door dovetail. .... 10.574, 16.405  
 Bumper, Door garnish moulding ..... 11.139  
 Bumper, Door glass sash channel. .... 16.190  
 Bumper, Door side. .... 10.587  
 Bumper, Door window glass roller. .... 10.728  
 Bumper face bar ..... 7.831  
 Bumper, Fldg. top bow ..... 14.270  
 Bumper, Fldg. top female hinge. .... 14.330  
 Bumper, Fldg. top rear bow. .... 14.360  
 Bumper, Fldg. top side rail cont. link. .... 14.200  
 Bumper, Front ..... 7.831  
 Bumper, Front door window stop. .... 10.716  
 Bumper, Front seat back. .... 11.381  
 Bumper, Front spring. .... 7.422  
 Bumper, Gas tank filler door ..... 12.944



Bumper, Glove compt. door...	10.263, 16.110
Bumper grille guard support	7.829
Bumper guard	7.828
Bumper guard back plate	7.829
Bumper guard parts	7.830
Bumper hold down bolt	9.011
Bumper, Hood	8.024
Bumper, Horn blowing ring	2.837
Bumper jack	8.820
Bumper, Lower end gate support...	12.212
Bumper pad, Rear	7.865
Bumper, Quarter window glass	11.013
Bumper, Radiator grille lower panel	1.286
Bumper, Rear comp. lid	12.212
Bumper, Rear spring	7.535
Bumper seal, Front or rear	7.782
Bumper, Strg. col. gearshift cont. shaft	4.016
Bumper, Strg. knuckle supt. arm	6.176
Bushing, Accelerator frt. rod	3.425
Bushing assy., Fldg. top control valve	14.467
Bushing, Body mounting	9.009
Bushing, Brake pedal	4.626
Bushing, Clutch pedal	0.831
Bushing, Crankshaft clutch pilot	0.649
Bushing, Distributor terminal	2.401
Bushing, Door hinge	10.464
Bushing, Drivers seat back hinge link	16.686
Bushing, Fldg. top cover	19.352
Bushing, Fldg. top female hinge	14.320
Bushing, Fldg. top side rail cont. link	14.155
Bushing, Fldg. top side roof rail	14.110
Bushing, Fldg. top No. 1 bow	14.225, 14.250
Bushing, Fldg. top No. 1 bow link	14.300
Bushing, Front spring eye	7.413
Bushing, Front stabilizer shaft	7.243
Bushing, Frt. spring shackles brkt.	7.303
Bushing, Frt. stabilizer link bolt	7.244
Bushing, Gearshift selector cont. lever	4.021
Bushing, Generator	2.313
Bushing, Generator end frame	2.298
Bushing, Mast jacket	6.521
Bushing, Pedal shaft reducing	0.834
Bushing, Piston pin	0.633
Bushing, Pitman arm	6.862
Bushing, Pitman arm shaft	6.788
Bushing, Pitman shaft	6.855
Bushing, Prop. shaft housing	5.451
Bushing, Push button switch	2.100
Bushing, Qtr. window hinge pivot	11.053
Bushing, Rear spring	7.524
Bushing, Rear spring eye	7.504
Bushing, Shock abs. arm	7.377
Bushing, Shock abs. arm link	7.357
Bushing, Shock abs. link	7.388
Bushing, Speedometer driven gear	4.333
Bushing, Spring hanger and horn	7.104
Bushing, Starter motor housing	2.083
Bushing, Strg. col. gearshift cont. shaft	4.015
Bushing, Strg. col. gearshift selector lever	4.007
Bushing, Strg. idler and 3rd arm shaft	6.181
Bushing, Steering knuckle king pin	6.021
Bushing, Strg. knuckle support lower arm shaft	6.170
Bushing, Throttle and accel. lever	3.582
Bushing, Torque converter cover hub	4.115
Bushing, Trans. case, Rear	4.104
Bushing, Trans. countershaft gear	4.422
Bushing, Trans. main shaft	4.352
Bushing, Trans. reverse idler gear	4.431
Bushing, Trans. third speed	4.399
Bushing, Trans. torque conv. turbine	4.115
Bushing, Universal joint yoke	5.566
Bushing, Vac. brk. cyl. piston push rod	4.924
Bushing, Valve rocker arm	0.334
Bushing, Water pump body	1.074
Button, Accelerator rod	3.451
Button, Door handle push	10.529, 16.353
Button, Horn	2.817
Button, Starter pedal	2.012

C

Cab assy., Conversion kit	16.000
Cab body	16.000
Cable and casing assy., Speedometer	4.342

Cable and clamp, Parking brake	4.828
Cable assy., Seat adjuster	16.682
Cable, Battery ground	2.341
Cable, Brake pull	4.826
Cable, End gate support	17.222
Cable, Gearshift reverse latch	4.030
Cable, Lighting	2.530
Cable, Rear axle gear shift	5.623
Cable, Spark plug	2.241
Cable, Starter switch to battery	2.342
Cage, Pinion shaft bearing	5.453
Cam, Brake	5.130
Cam, Carburetor fast idle	3.766
Cam, Direction signal cancelling	2.895
Cam, Distributor	2.381
Cam, Door window regulator	10.792
Cam, Door window reg. upper guide	10.261
Cam, Frt. door glass lwr. sash chnl.	10.687
Cam, Quarter window regulator	11.046
Cam, Rear door sash channel	10.748
Cam, Stator over run	4.117
Camshaft	0.519
Camshaft bearing hole plug	0.553
Camshaft brgs.	0.539, 0.543, 0.546, 0.549
Camshaft thrust bearing	0.539
Camshaft thrust bearing gasket	0.534
Camshaft timing gear	0.736
Cap, Clutch spring	0.867
Cap, Crankcase ventilator	1.516, 1.745
Cap, Crankshaft center bearing	0.100
Cap, Crankshaft front bearing	0.095
Cap, Crankshaft front inter. brg.	0.098
Cap, Crankshaft rear bearing	0.105
Cap, Crankshaft rear inter. brg.	0.102
Cap, Distributor	2.367
Cap, Door dovetail humpier casing	10.576
Cap, Door handle push button	10.552
Cap, Frt. dr. wind. glass run chnl.	10.702
Cap, Front fender	8.131
Cap, Front stabilizer shaft	7.242
Cap, Gas tank filler	3.028
Cap, Gearshift control lwr. support	4.018
Cap, Gearshift lever	4.015
Cap, Generator commutator end	2.300
Cap, Horn blowing	2.817
Cap, Horn button	2.820
Cap, Hub and grease	5.858
Cap, Oil distributor valve	1.789
Cap, Oil filler tube	1.516
Cap, Radiator filler	1.203
Cap, Rear spring seat	5.403
Cap, Steering gear mtg. bracket	7.233
Cap, Steering wheel hub	2.820
Cap, Top lining panel	16.742
Cap, Trans. low & drive reg. valve	4.265
Cap, Transmission oil filter	4.133
Cap, Trans. rear bearing	4.317
Cap, "U" joint sleeve yoke dust	5.553
Cap, Vac. brake cyl. relay breather	4.936
Cap, Valve rocker cover oil filler	0.990
Cap, Valve spring	0.309
Cap, Windshield division, Outer	16.017
Cap, Windshield reveal masking	16.041
Carb. air horn assy.	3.730
Carburetor assy.	3.725
Carb. check valve spring and guide	3.825
Carb. choke heater strap	3.750
Carb. choke housing assy.	3.751
Carb. choke hsg. screw	3.767
Carb. choke hsg. to air horn gasket	3.750
Carb. choke piston	3.752
Carb. choke piston pin	3.752
Carb. choke rod clip	3.752
Carb. choke shaft assy.	3.752
Carb. choke suction tube	3.750
Carb. choke suction tube packing	3.750
Carb. choke trip lever	3.752
Carb. choke trip lever spacer	3.752
Carb. choke tube brkt.	3.733
Carb. fast idle cam screw	3.767
Carb. fast idle, Lever, Spring, Cam	3.766
Carb. idls adjusting screw	3.822
Carb. idle adjusting screw spring	3.823
Carb. intake needle	3.814
Carb. nozzle screw gasket	3.776
Carb. nozzle vent	3.777

Carb. power valve check	3.862
Carb. power valve supt. & check unit	3.794
Carb. pump arm collar	3.846
Carb. pump cylinder gasket	3.844
Carb. replacement gasket unit	3.724
Carb. spring step-up piston	3.858
Carb. step-up piston	3.858
Carb. step-up piston push rod	3.860
Carb. step-up power jet	3.863
Carb. therm. baffle plate	3.750
Carb. therm. hsg. cover gasket	3.750
Carb. therm. hsg. cover plate	3.750
Carb. therm. hsg. cover retainer	3.750
Carb. throttle shaft adj. screw	3.761
Carb. throttle shaft assy.	3.752
Carb. to accel. lever rod att. clip	3.425
Carburetor air cleaner	3.402
Carburetor air horn	3.730
Carburetor air horn gasket	3.731
Carburetor assembly	3.725
Carburetor body	3.729
Carburetor body bolt	3.741
Carburetor body gasket	3.735
Carburetor bowl cover	3.737
Carburetor bowl cover gasket	3.738
Carburetor choke lever retainer	3.755
Carburetor choke rod	3.752
Carburetor choke shaft	3.752
Carburetor choke spring	3.753
Carburetor choke valve	3.751
Carburetor dust cover	3.732
Carburetor float	3.745
Carburetor float bowl	3.734
Carburetor governor	3.865
Carburetor governor seal	3.870
Carburetor inlet valve check assy.	3.826
Carburetor intake needle unit	3.814
Carburetor jet	3.844
Carburetor link	3.768
Carburetor low speed jet assembly	3.798
Carburetor metering rod	3.806
Carburetor metering rod adj. gauge	3.809
Carburetor metering rod cover	3.807
Carburetor metering rod jet	3.792
Carburetor metering rod spring	3.810
Carburetor nozzle	3.774
Carburetor nozzle passage gasket	3.775
Carburetor outlet valve check assy.	3.825
Carburetor plunger	3.838
Carburetor plunger leather	3.840
Carburetor power jet	3.863
Carburetor pump arm	3.845
Carburetor pump connector link	3.843
Carburetor pump lever	3.845
Carburetor pump plunger spring ret.	3.841
Carburetor repair kit	3.725
Carburetor shaft and lever assy.	3.759
Carburetor step-up valve spring	3.862
Carburetor strainer screen	3.841
Carburetor thermostat cover	3.750
Carburetor throttle & pump rod & lever	3.762
Carburetor throttle lever adj. scr. sprg.	3.764
Carburetor throttle return check	3.440
Carburetor throttle valve	3.758
Carburetor to accelerator lever rod	3.430
Carburetor to manifold gasket	3.726
Carburetor to manifold insulator	3.726
Carburetor to manifold spacer	3.726
Carburetor valve check ball	3.862
Caroma	8.800
Carpet, Front floor	15.300
Carpet, Front seat foot rest	14.830
Carpet, Rear floor	15.306
Carriage bolt	8.903
Carrier and cap assy., Differential	5.505
Carrier assy., Trans. planet	4.161
Carrier, Differential	5.504
Carrier bolt and nut	7.759
Carrier bracket, Wheel	7.753
Carrier centering plate, Wheel	7.783
Carrier clamp, Wheel	7.766
Carrier clamp bolt, Wheel	7.768
Carrier clamp bolt nut, Wheel	7.768
Carrier roller, Wheel	7.780
Carrier spacer, Wheel	7.762

Carrier strap, Wheel..... 7.778  
Carrier tee bolt and nut, Wheel..... 7.786  
Carrier tire guide, Wheel..... 7.788  
Carrier track assy., Wheel..... 7.779  
Carrier track bracket, Wheel..... 7.781  
Carrier track member, Wheel..... 7.782  
Carrier, Trans. planet.... 4.161, 4.175, 4.192  
Carrier, Wheel..... 7.751  
Case assembly, Instrument..... 9.743  
Case, Deck lid lock cyl..... 12.249  
Case, Differential..... 5.510  
Case, Door lock cylinder..... 10.552  
Case, Door outside handle cyl..... 16.370  
Case, Tire lock..... 7.579  
Case, Transmission..... 4.103  
Casing, Door check link hold open... 10.602  
Casing, Door dovetail bumper..... 16.405  
Castellated nut..... 8.917  
Catch assembly, Hood..... 8.028  
Catch assy., Radiator shell..... 8.028  
Catch, End gate lock..... 17.198  
Catch, Fldg. top front roof rail..... 14.080  
Catch, Front door ventilator..... 10.559  
Catch, Instrument panel comp. door... 10.268  
Catch plate, Hood lower..... 8.080  
Catch plate, Hood upper..... 8.083  
Catch, Rear door ventilator..... 10.824  
Catch, Side window..... 17.136  
Center and rear seat attach. plate... 16.596  
Center body pillar..... 12.491  
Center body qtr. panel lwr. filler... 12.491  
Center bolt, Spring..... 7.506  
Center pillar facing..... 12.492  
Center pillar moulding..... 12.113  
Center pillar strip..... 12.492  
Center pillar trim assy..... 14.715  
Center seat attaching screw..... 11.808  
Center seat back and cushion trim... 14.976  
Center seat grab rail..... 11.512  
Center seat side panel. Trim assy. ... 14.978  
Center tail lamp assembly..... 2.700  
Chain and cover, End gate..... 17.222  
Chain assembly, End gate..... 17.635  
Chain, Clutch release..... 0.787  
Channel, Back window glass and  
reveal moulding..... 11.207  
Channel, Back window glass run.... 11.223  
Channel, Door glass  
division..... 10.686, 10.829, 16.190  
Channel, Door glass  
run .. 10.701, 10.759, 11.021, 11.223, 16.200  
Channel, Door glass  
sash..... 10.689, 10.695, 10.747, 16.910  
Channel, Door wind. glass fldg. run... 10.698  
Channel, Front door vent. glass..... 10.655  
Channel, Frt. dr. glass lower sash... 10.685  
Channel, Qtr. wind. upr. sash 11.005, 11.007  
Channel, Qtr. window glass rubber... 11.015  
Channel, Qtr. window glass run.... 11.021  
Channel, Quarter window division... 11.008  
Channel, Rear door vent. glass..... 10.826  
Channel, Side window..... 17.136  
Channel, Upper end gate glass..... 12.180  
Channel, W/S reveal mldg. sealing 10.097  
Channel, Windshield glass... 10.092, 16.010  
Chassis wiring harness..... 2.555  
Check assy., Carb. inlet valve..... 3.826  
Check assy., Carb. outlet valve..... 3.825  
Check, Carburetor power valve..... 3.862  
Check, Carb. step-up valve..... 3.862  
Check, Carb. throttle return..... 3.440  
Check, Inst. panel comp. door..... 16.115  
Check nut..... 8.916  
Check unit, Carb. power valve..... 3.794  
Check valve assy., Vac. shift and  
power brake..... 5.644  
Check valve parts, Vac. shift and  
power brake..... 5.645  
Choke rod..... 3.521  
Choke tube bracket..... 3.733  
Chrome protective sealer..... 8.800  
Chromium cleaner..... 8.800  
Cigarette lighter and parts..... 9.709  
Circuit breaker and cover..... 2.319  
Circuit breaker, Folding top..... 14.490  
Clamp, Axle gearshift vac. hose..... 5.688

Clamp, Brake cable to flange..... 4.833  
Clamp, Crankcase vent. tube..... 1.750  
Clamp, Exhaust pipe support..... 3.616  
Clamp, Front door ventilator..... 10.669  
Clamp, Gearshift control shaft hsg. .. 4.022  
Clamp, Gearshift cylinder..... 4.048  
Clamp, Gearshift lever control rod... 4.017  
Clamp, Grille guard brace..... 7.830  
Clamp, Hose..... 1.166  
Clamp, License bracket..... 2.670  
Clamp, Manifold..... 3.273  
Clamp, Muffler tail pipe..... 3.708  
Clamp, Oil filler tube..... 1.750  
Clamp, Radiator baffle..... 1.285  
Clamp, Rear axle gearshift lever... 5.623  
Clamp, Rear license plate..... 2.670  
Clamp ring, Front hub..... 8.308  
Clamp, Shifter shaft..... 4.914  
Clamp, Steering connecting rod..... 6.870  
Clamp, Steering column..... 6.760  
Clamp, Steering column gearshift  
control..... 4.016  
Clamp, Strg. gear ball return guide .. 6.843  
Clamp, Tie rod end..... 6.234  
Clamp, Tire rim locking..... 5.839  
Clamp, Trans. throttle valve  
cont. lever..... 4.041  
Clamp, Vac. brake cyl. air clar. hose 4.913  
Clamp, Wheel carrier..... 7.629  
Cleaner, Body..... 8.800  
Cleaner, Carburetor air..... 3.402  
Cleaner, Chromium..... 8.800  
Cleaner, Gearshift vacuum cyl. air... 4.058  
Cleaner, Glass..... 8.800  
Cleaner, Radiator..... 8.800  
Cleaner, Sponge..... 8.800  
Cleaner, Upholstery and whitewall... 8.800  
Cleaner, Vac. brake cyl. air..... 4.913  
Cleaner, Valve rocker arm cover air 0.388  
Clevis..... 8.946  
Clevis, Accel. pedal to lever rod... 3.425  
Clevis, Brake pull rod adj..... 4.824  
Clevis, Clutch fork control..... 0.854  
Clevis, Main cylinder adj..... 4.862  
Clevis pin..... 8.942  
Clevis, Rear axle gearshift rod..... 5.623  
Clip, Accelerator spring..... 3.459  
Clip, Ash tray mounting plate..... 12.016  
Clip assy., Fender shield att., 12.116, 12.118  
Clip, Back wind. glass reveal mldg... 11.209  
Clip, Back window mldg..... 16.475  
Clip, Body sill moulding..... 8.309  
Clip, Carb. choke rod..... 3.752  
Clip, Carb. to accel. lever  
rod attach..... 3.425  
Clip, Clutch pedal pull back spring... 0.846  
Clip, Control wire and tube..... 3.483  
Clip, Cowl belt moulding..... 12.110  
Clip, Dist. to rocker shaft oil pipe... 1.519  
Clip, Distributor wire..... 2.249  
Clip, Door check link..... 10.808, 10.613  
Clip, Door inside locking rod..... 10.565  
Clip, Door lock cyl. to handle..... 16.375  
Clip, Door lock remote control conn.  
rod..... 10.508  
Clip, Door trim pad retaining..... 10.357  
Clip, Door weatherstrip..... 10.695  
Clip, Door weatherstrip retainer... 16.231  
Clip, Door window reveal mldg. .... 10.709  
Clip, Door window weatherstrip... 10.712  
Clip, Fender section moulding..... 12.114  
Clip, Fldg. top vacuum tube..... 14.474  
Clip, Frt. dr. vent. regulator spring... 10.661  
Clip, Front hinge pillar weathercord 14.686  
Clip, Garnish moulding..... 11.133  
Clip, Headlining..... 12.954  
Clip, Hidden binding..... 15.534  
Clip, Hood catch control rod tube... 8.077  
Clip, Hydraulic brake pipe..... 4.836  
Clip, Instrument panel mldg.. 10.253, 16.082  
Clip, Lighting switch fuse..... 2.489  
Clip, Name plate..... 12.183  
Clip, Pipe..... 8.950  
Clip, Quarter window reveal mldg. 11.031  
Clip, Radiator..... 1.269  
Clip, Radiator grille and shell mldg. . 1.269

Clip, Rear door fender shield rear .. 12.118  
Clip, Rocker arm shaft oil..... 1.928  
Clip, Roof inner moulding..... 14.652  
Clip, Seat adj. spring..... 11.582  
Clip, Spark plug wire..... 2.249  
Clip, Spring leaf, frt. or rear..... 7.513  
Clip, Starter pedal lever pull back  
spring..... 2.029  
Clip, Top binding end plate..... 13.342  
Clip, Windshield frame..... 16.012  
Clip, Windshield garnish  
mldg. .... 10.050, 16.013  
Clip, Windshield lwr. reveal mldg.... 10.096  
Clip, Windshield side finish mldg... 10.051  
Clock hole cover plate..... 10.272  
Clock housing..... 9.772  
Clock lens..... 9.772  
Clock unit, Glove compartment..... 9.772  
Clock wire..... 9.772  
Cloth, Polishing..... 8.800  
Clutch and brake shaft lock spring .. 0.837  
Clutch and ring assembly, Synchro .. 4.383  
Clutch assy., Trans..... 4.164  
Clutch cover and spring..... 0.861  
Clutch cover & pressure plate bolt .. 0.870  
Clutch disc..... 0.886  
Clutch disc facing..... 0.885  
Clutch disc facing rivet..... 0.884  
Clutch fork ball..... 0.796  
Clutch fork ball spring..... 0.823  
Clutch fork hrg. spring..... 0.805  
Clutch fork control clevis. Link & rod. 0.854  
Clutch fork control idler lever..... 0.857  
Clutch fork offset rod..... 0.787  
Clutch fork screw..... 0.796  
Clutch gear synchronizer cone..... 4.384  
Clutch housing..... 0.863  
Clutch hsg. inspection hole cover... 0.688  
Clutch hsg. to cyl. block dowel..... 0.685  
Clutch hub retaining ring..... 4.384  
Clutch key, 3rd. and 4th. speed..... 4.384  
Clutch key spring, 3rd. and 4th. speed 4.384  
Clutch operating lever..... 0.850  
Clutch overhaul unit..... 0.899  
Clutch pedal..... 0.830  
Clutch pedal adj. bolt..... 0.841  
Clutch pedal adj. nut..... 0.841  
Clutch pedal adj. plate..... 0.839  
Clutch pedal arm..... 0.832  
Clutch pedal bushing..... 0.831  
Clutch pedal control lever & bushing. 0.850  
Clutch pedal floor board bumper... 0.829  
Clutch pedal insulator..... 0.829  
Clutch pedal lever..... 0.832  
Clutch pedal pull back spring..... 0.844  
Clutch pedal pull back  
spring bracket..... 0.846  
Clutch pedal pull back spring clip... 0.846  
Clutch pedal pull back spring pin... 0.849  
Clutch pedal pull rod..... 0.854  
Clutch pedal push rod..... 0.832  
Clutch pedal shaft..... 0.833  
Clutch pedal shaft bracket..... 0.847  
Clutch pedal shaft parts..... 0.837  
Clutch press. plate retracting spg. .. 0.864  
Clutch press. plate retracting spg. bolt 0.864  
Clutch pressure lever..... 0.874  
Clutch pressure lever pin..... 0.875  
Clutch pressure lever plate..... 0.880  
Clutch pressure lever spring..... 0.878  
Clutch pressure plate..... 0.863  
Clutch release chain & link..... 0.787  
Clutch release fork..... 0.795  
Clutch rod, With pedal..... 0.832  
Clutch spring..... 0.865  
Clutch spring cap..... 0.867  
Clutch spring pivot ring..... 0.866  
Clutch spring retainer bolt..... 0.866  
Clutch throwout bearing..... 0.799  
Clutch throwout bearing plate..... 0.800  
Clutch throwout bearing sleeve..... 0.803  
Clutch throwout hrg. plate spring... 0.814  
Clutch, Trans. 2nd-3rd and 3rd-4th  
speed..... 4.380  
Clutch, Trans. synchronizing..... 4.384

Cool hook	8.895, 15.398	Cover Assy., Fluid coupling	4.118	Cowl belt nut	12.110
Cock, Shut-off	8.951	Cover Assy., Strg. wheel hub	6.512	Cowl belt washer	12.110
Coil, Generator field	2.310	Cover, Auto. choke valve therm. housing	3.750	Cowl panel reinforcement	12.805
Coil, Ignition	2.170	Cover, Battery inspection	16.547	Cowl side inner panel cover & seal	16.551
Coil, Starting motor field	2.049	Cover, Brake camshaft hole	5.188	Cowl side panel	12.804, 16.551
Coil to distributor wire	2.171	Cover, Brake drum adj. hole	5.810	Cowl trim pad	14.630
Collar, Clutch & brake pedal shaft	0.837	Cover, Brake flange plate adj. hole	5.188	Cowl vent. adj. hdd. and lower link	10.313, 16.130
Collar, Pldg. seat support retainer	11.380	Cover, Brake main cyl. inspection	12.541	Cowl vent. adj. link bolt and washer	16.135
Collar, Generator drive brg.	2.307	Cover, Brake main cylinder	16.547	Cowl ventilator adjusting parts	16.135
Collar, Starting motor clutch	2.089	Cover, Carburetor bowl	3.737	Cowl ventilator cover	10.307, 16.125
Collar, Universal joint ball	5.565	Cover, Carburetor dust	3.732	Cowl ventilator cover gasket	10.331
Collar, Vac. brk. cyl. piston push rod	4.924	Cover, Carburetor metering rod	3.807	Cowl ventilator drain hose	10.344, 16.127
Collar, Valve stem guide	0.287	Cover, Carburetor thermostat	3.750	Cowl ventilator handle	16.130
Collector, Trans. case chip	4.105	Cover, Circuit breaker	2.319	Cowl ventilator hinge plate	10.310
Compartment door key	2.187	Cover, Clutch	0.861	Cowl ventilator spring	16.132
Compartment, Instr. panel	10.260, 16.100	Cover, Clutch hsg. inspection hole	0.888	Cowl ventilator weatherstrip	16.140
Compartment lid hinge link	12.187	Cover, Cowl side inner panel	16.551	Crank, Accelerator control ball	3.579
Compartment lid lock cover, Rear	12.241	Cover, Cowl ventilator	10.307, 16.125	Crank, Accelerator rod	3.579
Compartment lining, Luggage	15.222	Cover, Crankcase front end	0.208	Crank, Gearshift control bell	4.019
Compartment mat, Rear	15.294	Cover, Dash panel instr. inspec. hole	12.802	Crank hole cover	1.274
Compass unit, Auto.	8.873	Cover, Distributor weight and cam	2.390	Crank, Parking brake bell	4.800
Compound, Rubbing	8.800	Cover, Door arm rest	14.688	Crank, Starting	0.299
Compound, Valve grinding	8.800	Cover, Door inner panel	16.167	Crankcase front end cover	0.208
Condenser, Distributor	2.393	Cover, Door outside handle snap on	10.551	Crankcase front end cover seal	0.209
Condenser, Electrolytic, automatic headlamp control	2.461	Cover, Double reduction pinion	5.462	Crankcase front cover gasket	0.207
Condenser unit, Radiator overflow	1.240	Cover, Double reduction pinion brg.	5.482	Crankcase frt. end cover bolt lock	0.208
Cone, Clutch gear synchronizer	4.384	Cover, Engine	16.549	Crankcase frt. end cover seal ret.	0.214
Cone, Differential side bearing	5.536	Cover, Engine manifold	3.602	Crankcase oil filter	1.745
Cone, Drive shaft pinion rear	5.484	Cover, Fldg. seat back retainer	11.380	Crankcase oil vent gskt.	1.745
Cone, Front wheel inner bearing	6.314	Cover, Fldg. seat hinge	11.380	Crankcase ventilator Assy.	1.745
Cone, Front wheel outer bearing	6.315	Cover, Front spring horn	8.152	Crankcase ventilator to valve pipe	1.745
Cone, Gear synchronizer 3rd. speed	4.384	Cover, Fuse and junction block	2.483	Crankcase ventilator valve	1.745
Cone, Pinion shaft front	5.447	Cover, Gas tank filler neck	12.994	Crankshaft	0.846
Cone, Transmission reverse clutch	4.189	Cover, Gearshift control shaft hsg.	4.022	Crankshaft bearing cap bolt	0.056
Connecting rod	0.803	Cover, Inst. panel radio control	10.266	Crankshaft bearing dowel	0.107
Connecting rod bearing cap bolt	0.623	Cover, King pin bearing	6.223	Crankshaft bearing seal	0.137
Connecting rod bearing shim unit	0.619	Cover, Knee action housing	6.389	Crankshaft bearing unit	0.096, 0.101, 0.103, 0.106
Connecting rod bearing unit	0.616	Cover, Lower end gate finishing	12.185	Crankshaft brg. cap bolt lock & washer	0.060
Connecting rod bolt nut	0.626	Cover, Main cylinder	4.663	Crankshaft center bearing	0.101
Connecting rod clamp bolt and 1/washer	0.809	Cover, Oil distributor	1.788	Crankshaft center brg. cap	0.100
Connecting rod dipper	0.604	Cover, Oil filler inspection	16.547	Crankshaft clutch pilot bearing	0.849
Connections, Hot water heater	8.868	Cover, Oil pump	1.723	Crankshaft clutch pilot brg. ret.	0.850
Connector, Brake hose	4.886	Cover, Oil pump suction screen	1.862	Crankshaft clutch pilot brg. spring	0.850
Connector, Horn wire	2.819	Cover panel, Rear wheel	8.175	Crankshaft clutch pilot bushing	0.848
Connector, Hydraulic brake	4.696	Cover, Parking brake floor hole	16.547	Crankshaft front bearing cap	0.095
Connector, Lighting	2.530	Cover, Parking lamp	2.588	Crankshaft frt. bearing unit	0.096
Connector, Rear axle gearshift linkage	5.623	Cover, Radiator inspection	1.286	Crankshaft front intermediate brg.	0.099
Connector, Rocker arm shaft oil	1.929	Cover, Rear axle housing	5.398	Crankshaft frt. end cover bolt & lock	0.206
Connector, Vac. brake manifold	3.278	Cover, Rear comp. lid and end gate lock	12.241	Crankshaft frt. intermed. brg. cap	0.098
Connector, Vacuum brake cyl.	4.999	Cover, Rear license plate lamp	2.708	Crankshaft harmonic balancer	0.638
Connector, Windshield wiper	10.154, 16.086	Cover, Rear quarter arm rest finish	15.111	Crankshaft oil thrower	0.847
Connector, Windshield wiper suction	16.086	Cover, Rocker arm air cleaner	0.386	Crankshaft pulley	0.659
Contact, Horn button	2.819	Cover, Seat	9.550	Crankshaft rear brg. cap	0.105
Control, Air flow heater	8.795	Cover, Seat adjuster track	11.573, 16.682	Crankshaft rear intermed. brg. cap	0.102
Control, Distributor vacuum	2.410	Cover, Steering crank hole	1.274	Crankshaft rear intermediate brg.	0.103
Control, Door lock remote	10.500, 16.341	Cover, Steering gear	6.609	Crankshaft shim units	0.143, 0.146, 0.153
Control, End gate	17.198	Cover, Steering gear housing	6.607	Crankshaft timing gear	0.728
Control parts, Rear window wiper	11.253	Cover, Steering gear hyd. pump reservoir	6.635	Crankshaft to flywheel bolt	0.868
Control parts, Windshield wiper	10.163	Cover, Steering gear toe pan	16.547	Cream, Body porcelainize wash	8.800
Control, Starterator vacuum	2.017	Cover, Strg. gear housing end	6.824	Cross bar, Rear guard	7.928
Control, Windshield wiper	10.163, 16.067	Cover, Support shaft packing	6.400, 6.405	Cross member brace	7.039
Control wire and tube clip	3.483	Cover, Tie rod dust	6.111	Cross member, Frame front	7.010, 7.011, 7.012, 7.013
Conversion kit, Cab Assy.	16.000	Cover, Tool box	17.230	Cross member, Frame second	7.011
Conversion unit, Front suspension	6.005	Cover, Trans. case	4.105	Cross member, Frame third	7.012
Conversion unit, Radiator support	1.270	Cover, Trans. control shaft hole	10.252	Cross member, Frame 4th. and 5th.	7.013
Conversion unit, Starter	2.100	Cover, Trans. control upper support	4.038	Cross member, Frame rear	7.014
Cooler, Transmission oil	4.128	Cover, Trans. floor pan	16.547	Cross member, Frame ext.	7.009
Copper-Asbestos gasket	8.955	Cover, Trans. governor	4.256	Cross member, Front suspension	6.006
Copper tubing	8.984	Cover, Trans. low band adj. screw	4.253	Cross sill, Rear	17.020
Card, Front seat back robe	11.899	Cover, Trans. oil supply pump	4.203	Cup, Brake wheel cylinder piston	4.667
Core, Hot water heater	8.854	Cover, Trans. power take off	4.439	Cup, Distributor lubricating	2.364
Core, Radiator	1.219	Cover, Trans. servo	4.212	Cup, Door arm rest finish	14.688
Cotter pin	8.938	Cover, Trans. vacuum modulator	4.205	Cup, Drive shaft pinion rear	5.484
Countergear rear bearing retainer	4.422	Cover unit, Seat	9.550	Cup, Pinion shaft front	5.447
Countergear rear brg. ret. lock plate	4.422	Cover, Upper end gate finish	12.185	Cup, Front wheel inner bearing	6.316
Countershaft gear	4.421	Cover, Valve push rod	0.439	Cup, Front wheel outer bearing	6.317
Countershaft, Transmission	4.428	Cover, Valve rocker arm	0.386	Cup, Gearshift lever spring	4.027
Coupling, Air flow duct	8.786	Cover, Valve spring cap	0.308	Cup, Horn blowing ring contact	2.818
Coupling, Distributor vac. control	2.420	Cover, Wheelhouse access hole	12.944	Cup, Main cylinder piston	4.854
Coupling, Propeller shaft	5.454	Cover, Wheel side appearance	5.871	Cup, Vac. brake cyl. piston	4.916
Courtesy lamp	10.275	Cowl and dash Assy.	12.803, 16.550		
Cover, Accelerator pedal	3.451	Cowl belt moulding & retainer	12.110		
Cover, Air cleaner	3.410	Cowl belt moulding washer	3.463		
Cover assembly, Dome lamp	11.929				



Cup, Vac. brake relay valve hyd. piston	4.942
Curtain assy., Side	17.270
Curtain, Back	13.389, 17.274
Curtain roll up strap	17.278
Cushion assy., Passenger seat	14.968
Cushion, Center seat trimmed	14.974, 16.715
Cushion, Door check link	10.613, 16.437
Cushion, Door check link retainer	16.437
Cushion, Door dovetail bumper	10.582
Cushion, Drivers seat	14.928
Cushion, Engine mounting	0.027
Cushion, Engine side support	0.027
Cushion, Front fender support	8.158
Cushion, Front seat	14.876, 16.715
Cushion, Front seat back	14.798
Cushion, Frt. door glass lwr. sash channel	16.190
Cushion, Gearshift vac. power cyl.	4.046
Cushion, Horn blowing ring	2.616
Cushion, Propeller shaft bearing	5.439
Cushion protector, Glamour glide	9.550
Cushion, Radiator support	1.270
Cushion, Radiator support bracket	1.270
Cushion, Rear seat	15.033
Cushion, Seat	16.715
Cushion, Seat back	16.720
Cushion trim, Drivers seat	14.930
Cushion trim, Front seat	14.890, 16.717
Cushion trim, Passenger seat	14.970
Cylinder and parts, Door safety lock	10.328
Cylinder assy., Fldg. top vacuum	14.475
Cylinder assy., Strg. gear hydraulic	6.576
Cylinder assy., Vac. power gearshift	4.045
Cylinder block assy.	0.033
Cylinder, Door lock outside handle	10.550, 16.365
Cylinder, Door safety lock	10.550
Cylinder, Electrolock	2.188
Cylinder, Gearshift clamp	4.046
Cylinder head	0.268
Cylinder head bolt	0.299
Cylinder head gasket	0.288
Cylinder, Hydraulic brake main	4.650
Cylinder, Ignition switch	2.188
Cylinder, Rear comp. lid lock	12.247, 12.248
Cylinder, Tire lock	7.880
Cylinder, Transmission servo	4.225
Cylinder, Vac. power brake	4.801
Cylinder, Wheel brake	4.665

D

Dash and cowl	12.603, 16.550
Dash brace	12.650
Dash lamp socket	2.773
Dash panel instr. inspect. hole parts	12.802
Dash panel mat	15.280, 16.802
Dash panel mat fastener	15.282, 16.802
Dash to frame reinforcement	12.850
Deck compartment floor pan	12.981
Deck front panel & rail	12.971
Deck lid lock cyl. case	12.249
Deck lid lock handle key	12.251
Deck rear panel	12.974
Decline, Hydraulic brake	4.683
Deflector, Door panel water	10.471
Deflector, Door vent rain	16.179
Deflector, Front door rain	10.674
Deflector, Front hub or drum oil	6.323
Deflector, Gravel quarter panel	12.944
Deflector, Parking brake drum oil	5.810
Deflector, Propeller shaft pinion	5.545
Deflector, Rad. grille air	1.288
Deflector, Rear axle housing oil	5.992
Deflector, Rear bumper	7.832
Deflector, Rear door vent. air	10.832
Deflector, Rear wheel hub oil	5.815
Deflector, Trans. countergear rear brg. oil	4.422
Deflector, Trans. main dr. gear brg. oil	4.374
Deflector, Water	13.952
Defroster and parts, Windshield	9.779
Defroster hose	9.779
Demountable rim nut	5.835
Dial, Ignition lock indicator	2.198

Dial, Trans. control indicator	4.038
Diaphragm assy., Vac. shift 2-spd. axle	5.635
Diaphragm, Horn	2.809
Diaphragm, Trans. vacuum modulator	4.205
Diaphragm unit, Fuel pump	3.925
Diaphragm, Vac. brake relay control valve	4.947
Differential bearing adjusting nut	5.537
Differential brg. adjusting nut lock	5.539
Differential carrier and cap assy.	5.505
Differential carrier assy. and prop. shaft hsg.	5.504
Differential carrier cap dowel & screw	5.506
Differential carrier gasket to axle hsg.	5.508
Differential case	5.510
Differential case bolt	5.513
Differential pinion gear	5.528
Differential pinion shaft	5.517
Differential pinion thrust washer	5.542
Differential side bearing	5.538
Differential side bearing cone	5.538
Differential side bearing cup	5.538
Differential side gear	5.528
Differential side gear thrust washer	5.543
Differential spider	5.520
Dimmer switch	2.459
Dipper, Connecting rod	0.604
Directional signal	2.880
Directional signal cancelling cam	2.895
Directional signal lamp switch assy.	2.895
Directional signal lamp switch roller assy.	2.906
Direction signal lamp wedge	6.512
Directional signal lens	2.899
Disc, Clutch	0.886
Disc, Manifold heat control valve	3.654
Disc, Vac. brake cyl. relay valve	4.944
Dispenser, Tissue	8.881
Distributor and spark plug wire unit	2.239
Distributor breaker plate	2.385
Distributor cam	2.381
Distributor cap	2.367
Distributor cap carbon button	2.370
Distributor cap spring	2.368
Distributor cap spring support	2.369
Distributor condenser	2.393
Distributor gear	2.374
Distributor gear attaching pin	2.379
Distributor, Heater air	9.786
Distributor housing	2.362
Distributor, Ignition	2.361
Distributor plug	2.364
Distributor point clamp screw	2.387
Distributor point unit	2.384
Distributor repair kit	2.360
Distributor rotor	2.382
Distributor shaft	2.372
Distributor spring	2.364
Distributor terminal parts 2.400, 2.401, 2.402	2.410
Distributor vacuum control	2.417
Distributor vacuum control screw	2.417
Distributor vac. control clamp arm	2.416
Distributor vac. control coupling	2.420
Distributor vac. control plug gskt.	2.421
Distributor vac. control diaphragm spring	2.416
Distributor vac. control mtg. brkt.	2.413
Distributor vac. control suction pipe	2.420
Distributor weight	2.388
Distributor weight and cam cover	2.390
Distributor weight and cam plate	2.390
Distributor weight spring	2.389
Distributor wick	2.364
Distributor wire clip	2.249
Division channel, Front door glass	10.688, 16.190
Dome lamp	11.925, 16.494
Dome lamp body assembly	11.927
Dome lamp bulb	11.928
Dome lamp cover assembly	11.929
Dome lamp door jamb switch	11.950

Dome lamp door jamb switch gasket	11.951
Dome lamp glass & lens	11.928, 16.495
Dome lamp plunger assy.	11.948, 16.495
Dome lamp reflector	11.927
Dome lamp rim	11.928
Dome lamp switch	11.935, 16.498
Dome lamp switch lever	11.965
Dome lamp switch plate	11.938, 16.498
Dome lamp switch plate screw	11.939
Dome lamp switch term. wire screw	11.938, 16.498
Door & qtr. mldg. attaching parts	12.119
Door arm rest, Front	14.698, 16.155
Door arm rest pad	16.155
Door assy., Parking lamp	2.593
Door, Back	10.390, 16.160
Door, Back-up lamp	2.697
Door belt corner filler, Front	11.088
Door belt moulding, Back	12.120
Door belt moulding, Front and rear	12.112, 12.114
Door bumper	16.400
Door bumper casing and screw	10.574
Door check link	10.606, 16.430
Door check link clip	10.608, 10.513
Door check link cushion	10.613, 16.437
Door check link cushion bumper	10.614
Door check link hold open casing	10.602
Door check link support	10.608
Door check screw and nut	16.437
Door cover inner panel	16.167
Door dovetail bumper casing cap	10.576
Door dovetail bumper packing	10.578
Door dovetail bumper shoe	10.581
Door dovetail bumper spg. & cushion	10.582
Door edging lace	14.715
Door, Frame stiffener bolt	10.378
Door, Front	10.351, 16.150
Door garnish moulding bumper	11.139
Door garn. mldg. finish mldg. and head	11.088, 11.101
Door, Gas tank filler	12.844
Door glass division channel and stud, Rear	10.629
Door glass, Front	10.681, 16.180
Door glass lwr. sash chnl. cam, Front	10.687
Door glass lwr. sash chnl. filler and w/strip	10.688
Door glass, Rear	10.741
Door glass run channel retainer	10.703
Door glass sash channel	10.689
Door glass sash channel bumper	10.716, 16.190
Door glass sash channel washer	16.190
Door glass weatherstrip	16.183, 16.470
Door handle gasket	16.359
Door handle lock sleeve	16.370
Door handle outside, Non-locking	15.360
Door handle push button and parts	10.526, 16.353
Door header weatherstrip	16.223
Door, Headlamp	2.728
Door hinge cover plate, Front	10.489
Door hinge, Front	10.450, 10.454, 16.320
Door hinge, Rear	10.456, 10.480
Door, Ignition, Glove box, Trunk, Gas tank cap, Tire lock, Key	2.187
Door inside lock lever screw	16.392
Door inside lock to knob rod	10.563
Door inside locking control lever	10.555
Door inside locking rod knob	10.559
Door inside locking rod clip & washer	10.585
Door inside trim panel	16.185
Door, Instr. panel comp.	10.261, 16.110
Door, License lamp	2.706
Door lock	10.470, 10.473, 16.330
Door lock, Back	10.479, 16.330
Door lock cyl. to handle clip	16.375
Door lock cylinder case, W/spring	10.552
Door lock cylinder tumbler unit	10.553
Door lock handle lock shaft	10.554
Door lock inside handle	10.512, 16.333

Door lock inside handle brg. plate.. 2.390  
 Door lock inside handle escutcheon . 10.515  
 Door lock inside handle esca. spring 10.516  
 Door lock inside handle ret. &  
 spring ..... 10.513  
 Door lock panel assy. .... 10.355  
 Door lock remote control conn. link  
 & rod ..... 10.506  
 Door lock remote control conn.  
 rod clip ..... 10.506  
 Door lock remote control handle .... 16.345  
 Door lock remote control spacer ..... 16.345  
 Door lock remote control spring ..... 16.341  
 Door lock remote control washer ..... 16.345  
 Door lock striker ..... 10.569, 16.335  
 Door lock striker adj. & anchor  
 plate ..... 10.571  
 Door locking handle cylinder 10.550, 16.365  
 Door lower trim pad ..... 14.685, 14.760  
 Door opening finishing mldg., Back 10.393  
 Door opening step mat ..... 15.290  
 Door opening weathercord  
 assy. .... 14.665, 14.735  
 Door opening weatherstrip  
 and ret. .... 10.694, 16.225, 16.230  
 Door outer trim panel assy. .. 10.352, 10.374  
 Door outside handle ferrule, Gakt.  
 and grommet ..... 10.537, 10.538, 16.353  
 Door outside handle, Plain ..... 10.534  
 Door outside handle safety screw ... 10.540  
 Door outside lock  
 handle ..... 10.527, 16.350  
 Door outside lock handle  
 pawl ..... 10.531, 16.385  
 Door outside lock handle pin 10.551, 16.385  
 Door outside lock handle spacer .... 16.385  
 Door outside handle gakt. unit..... 10.538  
 Door outside handle ret. and parts .. 10.551  
 Door panel water deflector..... 10.471  
 Door, Parking lamp ..... 2.593  
 Door rain deflector, Front ..... 10.674  
 Door, Rear ..... 10.373  
 Door, Rear license lamp..... 2.706  
 Door rocker panel extension..... 12.934  
 Door rocker panel filler..... 12.934  
 Door rocker panel ..... 12.934  
 Door safety lock cyl. parts ..... 16.328  
 Door safety lock cylinder ..... 10.550  
 Door safety lock retainer and parts .. 10.551  
 Door sash channel arm, Rear ..... 10.748  
 Door sash channel stud, Rear..... 10.749  
 Door side bumper ..... 10.587  
 Door sill panel ..... 16.603  
 Door sill plate ..... 11.175, 11.179  
 Door stop unit, Rear ..... 16.430  
 Door, Tail and stop lamp..... 2.681  
 Door trim finish moulding, Front ... 14.691  
 Door trim finish moulding, Rear..... 14.764  
 Door trim pad replacement tab & clip 10.357  
 Door trim panel mldg., Side..... 16.166  
 Door upholstery ..... 15.500  
 Dr. glass run div. chnl. scalp..... 10.829  
 Dr. vent div. upr. glass run  
 chnl. rivet ..... 10.686, 10.829  
 Dr. vent div. chnl. weatherstrip ..... 10.829  
 Door vent. hdl. esca. plate, Front... 10.665  
 Door vent. hdl. esca. spring, Front... 10.666  
 Door vent. lock & parts, Front 10.659, 10.660  
 Door vent. pivot and clamp, Front ... 10.669  
 Door vent. regulator handle, Front... 10.664  
 Door vent. reg. handle catch, Rear... 10.824  
 Door vent. weatherstrip, Front..... 10.652  
 Door ventilator air deflector, Rear... 10.832  
 Door ventilator assy., Front ..... 10.650  
 Door ventilator frame, Front..... 10.656  
 Door ventilator glass channel, Front... 10.655  
 Door ventilator glass, Front..... 10.658  
 Door ventilator glass, Rear..... 10.827  
 Door ventilator tee shaft..... 10.657  
 Door ventilator rain deflector ..... 16.179  
 Door ventilator, Rear ..... 10.820  
 Door ventilator weatherstrip, Rear... 10.822  
 Door ventilator stop and shaft, Rear... 10.825  
 Door weathercord ..... 15.520  
 Door weatherstrip clip, Fastener,  
 Stud and screw ..... 10.695

Door window division chnl. stud..... 10.704  
 Door window garnish mldg. esca. ... 16.310  
 Door window garnish mldg.  
 weatherstrip ..... 11.084, 11.102, 16.290  
 Door window glass, Back ..... 11.185  
 Door window glass frame ..... 16.181  
 Door window glass roller bumper..... 10.726  
 Door window glass run chnl., Rear... 10.759  
 Door window glass run rivet ..... 16.175  
 Door window guide ..... 10.728  
 Door window reg. .... 10.783, 10.791, 16.260  
 Door window reg. handle ..... 10.797, 16.270  
 Door window regulator cam ..... 10.792  
 Door window regulator coil spring... 10.794  
 Door window regulator handle esca... 10.805  
 Door wind. reveal mldg. clip..... 10.709  
 Door window weatherstrip, Rear ... 10.774  
 Double reduction pinion..... 5.461  
 Double reduction pinion brg. cover... 5.462  
 Double reduction pin. brg. cov. gakt. 5.463  
 Double reduction pin. brg. cover shim 5.464  
 Double reduction gear bolt..... 5.479  
 Double reduction gear with pinion... 5.478  
 Double reduction pinion brg. & cover. 5.462  
 Double reduction pinion nut..... 5.481  
 Double reduction shifter pin..... 5.491  
 Double reduction shifter sleeve..... 5.492  
 Double reduction shifter yoke ..... 5.490  
 Dowel, Clutch hsg. to cyl. block ..... 0.685  
 Dowel, Crankshaft bearing ..... 0.107  
 Dowel, Diff. carrier cap..... 5.506  
 Dowel, Flywheel ..... 0.669  
 Dowel, Propeller shaft housing..... 5.438  
 Dowel, Propeller shaft hsg. hshg.... 5.450  
 Drain cock ..... 8.951  
 Drain cock, Radiator..... 1.229  
 Dripless oil, Penetrating ..... 8.800  
 Drive assy., Starter motor..... 2.086  
 Drive assy., W/s wiper motor aux... 10.157  
 Drive gear, Speedometer ..... 4.337  
 Driver and pass. seat supt. .... 11.375  
 Driver seat adjuster and parts ..... 16.682  
 Driver seat assy., Adjustable ..... 14.896  
 Driver seat attaching plate..... 16.686  
 Driver seat back ..... 16.680  
 Driver seat back hinge link..... 16.686  
 Driver seat back hinge link bushing.. 16.686  
 Driver seat back hinge link washer.. 16.686  
 Driver seat back panel assy. .... 16.680  
 Driver seat cushion valve..... 16.715  
 Driver seat pin ..... 16.686  
 Driver seat support bracket..... 16.686  
 Drum assy., Brake ..... 5.808  
 Drum assy., Trans. synchronizing... 4.384  
 Drum assy., Trans. brake..... 4.187  
 Drum assy., Trans. clutch..... 4.184  
 Drum, Front and rear brake ..... 5.809  
 Drum, Planet reverse..... 4.190  
 Drum, Prop. shaft parking brake .... 5.610  
 Drum, Trans. Brake ..... 4.169  
 Drum, Trans. clutch..... 4.162, 4.169  
 Duct, Air flow ..... 9.786

E

Eccentric, Trans. reverse shifter lever 4.302  
 Elbow assy., Air flow duct..... 9.782  
 Elbow, Axle gearshift vac. hose .... 5.538  
 Elbow, Fldg. top vacuum tube..... 14.473  
 Elbow, Gas filter, Sixty degree ..... 3.890  
 Elbow, Oil filter fitting ..... 1.855  
 Elbow, Strg. gear hyd. valve  
 pipe to cyl ..... 6.679  
 Elbow, Vac. power brake check valve 4.955  
 Elbow, Vac. power brake cyl..... 4.931  
 Electric shaver ..... 8.895  
 Electrolock assy. .... 2.188  
 Electrolock barrel contact..... 2.195  
 Element, Air cleaner..... 3.410  
 Element, Cigarette lighter heating .. 2.709  
 Element, Gas filter..... 3.890  
 Element, Oil Filter ..... 1.836  
 Emblem, Fender ..... 12.114  
 Emblem, Hood front..... 8.055  
 Emblem, Radiator ..... 1.303

Emblem, Rear compartment lid ..... 12.182  
 Emblem washer ..... 12.118  
 End, Bumper face bar..... 7.831  
 End gate assy. .... 12.179, 17.185, 17.615  
 End gate bolt ..... 12.195  
 End gate cable retainer ..... 17.222  
 End gate chain assy..... 17.635  
 End gate chain bracket ..... 17.635  
 End gate chain eye ..... 17.635  
 End gate control..... 17.198  
 End gate finish cover, Upper ..... 12.195  
 End gate frame assy., Upper..... 12.179  
 End gate glass ..... 12.180, 17.190  
 End gate glass channel..... 12.180  
 End gate glass, Upper..... 17.190  
 End gate glass weatherstrip..... 17.190  
 End gate handle escutcheon ..... 12.250  
 End gate handle, Less cyl..... 12.246  
 End gate hdl., W/cyl. & keys. 12.247, 17.204  
 End gate handle ring..... 12.250  
 End gate hinge ..... 12.184, 17.208  
 End gate hinge bracket ..... 17.625  
 End gate hinge parts..... 17.208  
 End gate hinge trunnion..... 17.625  
 End gate inner transfer..... 12.195  
 End gate knob ..... 17.198  
 End gate latch ..... 12.233  
 End gate lock..... 12.242, 17.198  
 End gate lock bracket..... 12.233  
 End gate lock catch..... 17.198  
 End gate lock cover..... 12.241  
 End gate lock handle parts ..... 17.204  
 End gate lock striker ..... 12.237, 17.200  
 End gate lock striker shim ..... 17.200  
 End gate lock strip..... 12.233  
 End gate, Lower..... 12.179, 17.185  
 End gate moulding..... 12.180, 12.195  
 End gate nut ..... 12.242  
 End gate plate ..... 12.237  
 End gate skid strip..... 12.185  
 End gate spring ..... 12.204, 17.198, 17.202  
 End gate supt. arm & bracket assy. .. 12.203  
 End gate support bracket knob ..... 12.205  
 End gate support cable..... 17.222  
 End gate support reel..... 17.222  
 End gate support screw ..... 17.202  
 End gate weatherstrip. 12.269, 17.185, 17.190  
 End, Steering connecting rod..... 6.870  
 End, Tie rod..... 6.233  
 Engine assy. .... 0.000  
 Engine block assy., Partial ..... 0.033  
 Engine cover ..... 16.549  
 Engine exhaust muffler ..... 3.701  
 Engine front mounting plate..... 0.004  
 Engine front mounting plate gasket.. 0.005  
 Engine front mounting top plate .... 0.027  
 Engine gasket unit..... 0.010  
 Engine ground strap ..... 2.348  
 Engine hold down parts..... 0.002  
 Engine mounting bolt lock ..... 0.003  
 Engine mounting bolt, Nut & washer.. 0.002  
 Engine mounting parts ..... 0.027  
 Engine pan ..... 8.112  
 Engine rear support..... 7.228  
 Engine rear support brace ..... 7.228  
 Engine side pan bracket..... 8.120  
 Engine side support bracket..... 0.027  
 Engine support tie bar..... 7.230  
 Escutcheon, Ash tray ..... 12.048  
 Escutcheon, Assist strap ..... 15.394  
 Escutcheon, Back window  
 garn. mldg. .... 11.133  
 Escutcheon, Back window glass  
 reveal moulding ..... 11.208  
 Escutcheon, Door lock  
 inside handle ..... 10.515  
 Escutcheon, Door outside handle... 10.536  
 Escutcheon, Door window  
 reg. handle ..... 10.805  
 Escutcheon, Door window  
 reveal mldg. .... 10.708  
 Escutcheon, Door wind. gara. mldg.. 16.310  
 Escutcheon, End gate handle..... 12.250  
 Escutcheon, Fldg. seat back mldg... 14.818  
 Escutcheon, Frt. door trim  
 finish mldg. .... 14.691

Escutcheon, Frt. seat adjusting knob	11.589
Escutcheon, Frt. door vent handle	10.865
Escutcheon, Moulding side rail	14.851
Escutcheon, Qtr. window reg. handle	11.047
Escutcheon, Qtr. window reveal mldg.	11.031
Escutcheon, Quarter belt moulding	12.117
Escutcheon, Rope cord	11.878
Escutcheon, Side trim panel mldg.	15.284
Escutcheon, Windshield garn. mldg.	10.050
Escutcheon, Windshield upper reveal moulding	10.096
Escutcheon, Windshield wiper trans.	10.160
Exhaust manifold	3.601
Exhaust manifold cover	3.802
Exhaust manifold valve shaft waight.	3.855
Exhaust mld. heat control therm.	3.840
Exhaust mld. heat cont. valve shaft	3.850
Exhaust mld. to exh. pipe flange stud	3.275
Exhaust pipe packing	3.611
Exhaust pipe packing flange	3.614
Exhaust pipe support spring	3.616
Exhaust pipe "U" bolt	3.708
Exhaust valve	0.297
Exhaust valve rotator assy.	0.309
Exhaust valve stem guide	0.263, 0.266
Expansion plug	0.033, 0.970
Extension assy., Front fender	8.164
Extension, Door rocker outer panel	12.934
Extension, Floor pan	12.980
Extension, Flywheel underpan	0.679
Extension, Frame	7.008
Extension, Frame front	7.009
Extension, Front fender	8.153, 8.164
Extension, Hand brake lever	5.150
Extension, Muffler tail pipe	3.705
Extension, Rear comp. floor pan	12.981
Extension, Rear door shield	12.114
Extension, Wheel carrier clamp bolt	7.632
Eye, Brake pull rod	4.824
Eye, End gate chain	17.835
Eye unit, Autronic	2.459

**F**

Face bar, Bumper	7.831
Face, Instrument cluster	9.748
Face plate, Front bumper brkt.	7.847
Facing, Back body opening	12.868
Facing, Body hinge pillar	12.859
Facing, Brake shoe	5.018
Facing, Clutch disc	0.885
Facing, Parking brake shoe	5.610
Fan belt and generator belt	1.066
Fan blade	1.064
Fan, Hot water heater	8.857
Fan pulley	1.082
Fastener, Dash panel instrument inspection hole cover	12.802
Fastener, Dash panel mat	15.282, 16.802
Fastener, Door weatherstrip	10.695
Fastener, Hood moulding	8.005
Fastener, Hood top mldg.	8.056
Fastener, Instrument panel mldg.	16.081
Fastener, Radiator insect screen	1.273
Fastener, Radiator shell mldg.	1.269
Fastener, Running board mldg.	8.308
Fastener, Stake rack	17.522
Fastener, Top and dust boot	13.384
Felt, Axle shaft	5.822
Felt, Body lining deadener	15.492
Felt, Front wheel bearing	8.326
Felt washer	8.927
Fender and fender cap mldg., Front	8.132
Fender anti-squeak, Front	8.161
Fender anti-squeak, Rear	8.205
Fender baffle, Front	8.164
Fender baffle seal, Front	8.165
Fender bolt, nut, screw & washer, Frt.	8.143
Fender brace and iron, Rear	8.212
Fender brace, Front	8.144
Fender cap brace, Front	8.133
Fender cap, Front	8.131

Fender crown moulding	12.114, 12.116
Fender crown moulding ret.	12.116, 12.118
Fender emblem	12.114
Fender, Front	8.130
Fender guard	7.827
Fender moulding	12.118
Fender moulding, Front	8.132
Fender moulding, Rear	8.204
Fender name plate, Front	8.147
Fender, Rear	8.203
Fender retainer nut	12.751
Fender retainer, Rear	8.214
Fender screw and bolt, Rear	8.206
Fender shield	8.162, 8.214, 12.114, 12.116
Fender shield attaching clip assembly	12.116, 12.118
Fender skirt brace and brkt., Front	8.155
Fender skirt extension brkt., Front	8.153
Fender skirt seal, Front	8.154
Fender step panel pad, Front	8.148
Fender support bracket, Front	8.145
Fender support, Front	8.141
Fender support plate and nut	8.142
Fender supt. cushion & spring, Front	8.156
Ferrule, Door outside handle	10.537, 16.353
Ferrule, Lighting switch rod	2.487
Filler, Assist handle	16.451
Filler, Center body qtr. panel lower	12.491
Filler, Crankcase oil	1.745
Filler, Door glass lwr. scash channel	10.696
Filler, Door rocker outer panel	12.934
Filler, Door window glass	16.183
Filler, Fldg. top front roof rail	14.079
Filler, Front door belt corner	11.086
Filler, Front roof rail	14.070
Filler neck and hose, Gasoline tank	3.003
Filler, Oil	1.745
Filler plug, Axle	5.400
Filler, Rear compartment lid hinge	12.185
Filler, Side trim panel	15.284
Filler, W/shield div. mldg.	10.054
Filler, Windshield	10.696
Flister slotted head bolt	8.907
Filter, Automatic hdlp. control	2.463
Filter, Oil	1.836
Filter unit, Gas	3.890
Filter unit, Water	1.174
Fitting, Heat indicator conduit	0.277
Fitting, Pipe	8.963
Fitting, Prop. shaft brg. ret. lub.	5.438
Fitting, Rocker arm shaft oil	1.928
Fitting, Speedometer driven gear	4.333
Fitting, Upper control arm shaft lub.	6.166
Fitting, Vac. brake cylinder	4.930
Fittings, Gasoline pipe	3.164
Fittings, Manifold	3.278
Fittings, Oil pipe	1.531
Fittings, Windshield wiper	10.154, 16.066
Flange, Exhaust pipe packing	3.614
Flange, Oil pan drain	1.452
Flange, Park brake lever hsg. dash	4.606
Flange plate bolt	5.002
Flange plate shield	5.002
Flange, Propeller shaft pinion	5.545
Flange, Trans. governor drive	4.259
Flange, Trans. low sun gear & clutch	4.162
Flange, Universal joint yoke	5.555
Flap, Rear fender	8.214
Flasher, Signal lamp	2.892
Flat slotted head bolt	8.808
Fldg. seat back mldg. escn.	14.818
Fldg. seat back retainer	11.380
Fldg. seat back retainer cover	11.380
Fldg. seat back stop, top & side	11.380
Fldg. seat back support	11.380
Fldg. seat bottom cushion hinge assy.	11.380
Folding seat hinge cover	11.380
Fldg. seat supt. ret. collar	11.380
Fldg. seat upper to lower hinge bolt	11.380
Fldg. top auxiliary bow	14.130
Fldg. top balance spring	14.255
Fldg. top bow bumper	14.270
Folding top control link assy.	14.140
Fldg. top control switch support	14.471
Fldg. top female hinge	14.310

Fldg. top female hinge bolt & bush.	14.320
Fldg. top front roof rail	14.050
Fldg. top front roof rail brace	14.095
Fldg. top front roof rail catch	14.080
Fldg. top front roof rail filler	14.070
Fldg. top front roof rail handle	14.080
Fldg. top front roof rail hdl. supt.	14.080
Fldg. top front roof rail striker	14.090
Fldg. top front roof rail stud	14.090
Fldg. top front roof rail w/strip	14.060
Fldg. top guide plate	14.090
Folding top hyd. pump motor	14.481
Fldg. top motor and pump parts	14.482
Fldg. top No. 1 bow	14.215, 15.240
Fldg. top No. 1 bow bolt & bushing	14.225, 14.250
Fldg. top No. 1 bow link	14.280
Fldg. top No. 1 bow link bolt & bush.	14.300
Fldg. top rear bow	14.340
Fldg. top rear bow slot iron	14.350
Fldg. top side rail link bolt & bush.	14.155
Fldg. top side roof rail	14.100, 14.170
Fldg. top side roof rail bolt	14.110, 14.160
Fldg. top side roof rail link	14.140
Fldg. top side roof rail retainer	14.120, 14.190, 14.260
Fldg. top side roof rail w/strip	14.120, 14.190, 14.260
Floor, Carburetor	3.745
Floor and toe pan plate	12.565
Floor board battery inspection plate	12.541
Floor board mat	16.600
Floor board panel and retainer	16.545
Floor board wear iron	17.030, 17.438
Floor carpet, Rear	15.308
Floor mat, Front	15.286, 16.800
Floor pan	12.980, 16.545
Floor pan extension	12.980
Fluid, Automatic transmission	4.101
Fluid, Brake	4.683
Fluid coupling bolt	4.118
Fluid coupling cover assy.	4.118
Fluid, Shock absorber	7.345, 6.386
Flush, Radiator	8.800
Flywheel	0.666
Flywheel bolt, Nut & lock	0.669
Flywheel dowel	0.669
Flywheel extension & underpan	0.679
Folding top and dust boot fastener	13.384
Folding top and dust boot stud	13.384
Folding top circuit breaker	14.480
Folding top comp. panel & plate	12.989
Folding top control rod	14.471
Folding top control valve	14.465
Folding top cont. valve bush. & knob	14.467
Folding top cover bushing	13.352
Folding top cover retainer	13.352
Folding top cover trim assy.	13.347
Folding top cover w/strip	13.352
Folding top cyl. assy.	14.475
Folding top female hinge support	14.310
Folding top frt. roof rail w/strip ret.	14.060
Folding top hinge bolt	14.320
Folding top hyd. motor & pump ball	14.486
Folding top hyd. motor & pump gskt.	14.486
Folding top hyd. motor & pump mtg.	14.486
Folding top hyd. motor & pump reservoir	14.486
Folding top motor and pump	14.481
Folding top motor switch	14.483
Folding top rear quarter gutter	12.945
Folding top side roof rail bushing	14.110
Folding top side roof rail trim	13.349
Folding top vacuum hose	14.472
Folding top vac. tube elbow	14.473
Foot rest carpet, Frt. seat	14.830
Fork, Clutch release	0.785
Fork, Gearshift	4.303
Foundation, Rear seat back finish	15.222
Frame assembly	7.003
Frame assembly, Windshield	16.010
Frame assy., Front seat back	11.373



Frame Assy., Front seat bottom.....	11.418
Frame Assy., Seat .....	11.357, 16.879
Frame Assy., Seat bottom .....	11.360
Frame Assy., Seat Cushion, W/spring	18.716
Frame Assy., Side sub .....	7.007
Frame Assy., Upper end gate .....	12.178
Frame, Back curtain glass .....	13.383
Frame cross member, Fourth and fifth .....	7.013
Frame cross member, Front .....	7.010
Frame cross member, Rear .....	7.014
Frame cross member, Third .....	7.012
Frame, Door window glass .....	18.161
Frame, Driver seat back .....	16.680
Frame ext. cross member .....	7.009
Frame extension .....	7.009
Frame extension, Front .....	7.009
Frame, Front door ventilator .....	10.656
Frame, Generator commutator end ..	2.297
Frame, Generator drive end .....	2.305
Frame, License plate .....	8.777
Frame parts, Sub .....	7.009
Frame, Running board mat .....	8.915
Frame second cross member .....	7.011
Frame, Side dr. vent w/div. chnl. ...	16.175
Frame side member Assy. ....	7.006
Frame, Starting motor end .....	2.067
Frame third cross member .....	7.012
Frame to bumper attach. bar bracket	7.889
Frame, Trans. cont. indicator dial. ...	4.038
Frame, Windshield .....	12.807
Frame, W/s glass, Bottom and side. ...	16.110
Frame, W/shield inner side .....	12.808
Friction spring pin .....	5.030
Front axle tie rod .....	6.230
Front body hinge pillar .....	12.840, 16.507
Front body pillar trim retainer and screw .....	14.888
Front brake radius rod and bracket. ...	5.011
Front door .....	10.351, 16.150
Front door belt moulding .....	12.112
Front door box Assy. ....	10.460, 10.454
Front dr. glass lwr. scab chnl. cushion .....	10.685, 16.190
Front door hinge hold open rivet. ...	10.444
Front door hinge hold open spring. ...	10.444
Front door hinge to body screw. ....	10.463
Front door lock spacer .....	16.335
Front door lock to spring screw .....	10.474
Front door lower trim pad Assy. ....	14.685
Front door panel .....	12.895
Front door sill plate .....	11.175
Front door sill plate support .....	11.175
Front dr. trim finish mldg. escn. ....	14.681
Front dr. upr. hinge on body plate ..	10.450
Front door ventilator w/strip .....	10.652
Front dr. wind. glass div. chnl. sculp .....	10.686
Front dr. wind. glass run. chnl. cap. ...	10.702
Front door wind. stop bumper .....	10.716
Front door window weatherstrip .....	10.710
Front fender .....	8.130
Front fender extension Assy. ....	8.164
Front fender lamp unit .....	2.585
Front fender, Marker unit .....	8.162
Front fender mldg. ....	8.132
Front fender mldg. retainer .....	8.133
Front floor carpet .....	15.300
Front floor mat .....	15.286
Front prop. shaft bearing retainer ...	5.433
Front prop. shaft bearing seal .....	5.433
Front prop. shaft brg. supt. spacer ...	5.433
Front propeller shaft housing .....	5.435
Front roof rail filler .....	14.070
Front seat adjuster handle .....	11.588
Front seat adj. rear roller supt. ....	11.583
Front seat adjuster assembly .....	11.581, 16.682
Front seat adjuster clamp .....	11.563, 11.568
Front seat adjuster handle. ....	11.589, 16.682
Front seat adjuster rod .....	11.561
Front seat adjuster spring. ....	11.581, 16.682
Front seat adjuster rod support .....	11.562
Front seat adjuster stop Assy. ....	11.562
Front seat adjuster stop plate .....	11.562
Front seat adjusting knob escn. ....	11.589
Front seat adjusting lock rod .....	11.588
Front seat back bumper. ....	11.361

Front seat back frame Assy. ....	11.373
Front seat back outer panel .....	14.810
Front seat back panel .....	11.358, 16.719
Front seat back robe cord .....	11.898
Front seat back trim Assy. ....	14.800, 14.800
Front seat bottom frame Assy. ....	11.360, 11.418
Front seat cushion and back tie wire unit .....	11.419
Front seat cushion pad .....	14.890
Front seat cushion cover trim Assy. ...	14.970
Front seat cushion trim Assy. ....	14.930
Front seat hinge arm cover plate. ...	11.375
Front seat hinge arm seat back stop. ...	11.375
Front seat hinge arm support & brkt. ...	11.375
Frnt. seat side and back side panel trim Assy. ....	14.860
Front seat side panel Assy. ....	11.362, 14.860
Frnt. seat side panel trim Assy. ....	14.860
Front, Seat side trim moulding. ....	14.818
Front side sill .....	16.500
Front spring .....	6.361
Front spring assembly .....	7.412
Front spring bumper plug .....	6.176
Front stab. link bushing plate .....	7.245
Front stab. link bushing sleeve .....	7.244
Front stabilizer link pin .....	7.238
Front stabilizer shaft mict. ....	7.242
Front stabilizer shaft "U" bolt .....	7.242
Front suspension conv. unit .....	8.005
Front suspension cross member. ....	8.008
Front wheel .....	5.803
Front wheel bearing fell. ....	6.326
Front wheel hub .....	6.307
Fuel & Vac. pump oil seal. ....	3.930
Fuel & Vac. pump oil seal retainer. ...	3.930
Fuel pump Assy. ....	3.900
Fuel pump bowl & parts .....	3.903
Fuel pump diaphragm spring .....	3.927
Fuel pump diaphragm unit .....	3.925
Fuel pump repair kit .....	3.901
Fuel pump rocker arm .....	3.920
Fuel pump rocker arm spring .....	3.922
Fuel pump to carburetor pipe .....	3.158
Fuel pump to cyl. case gasket .....	3.932
Fuel pump valve retainer .....	3.916
Fulcrum, Parking brake .....	4.606
Fuse block .....	2.483

G

Garment hook unit .....	8.885
Garnish mldg., Back door window .....	11.127, 16.290
Garnish mldg., Back window .....	11.120, 16.475
Garnish mldg., Front door window .....	11.075, 16.290
Garnish moulding clip .....	11.133
Garnish mldg. lace .....	14.680
Garnish mldg., Qtr. window .....	11.119
Garnish mldg., Rear door window ..	11.089
Garnish mldg., Windshield .....	10.051, 16.019
Garnish moulding clip & escutcheon .....	11.133
Garnish moulding, Side window .....	17.136
Gas feed pipe shut-off .....	3.164
Gas filter unit and parts .....	3.890
Gas gauge terminal separator .....	3.112
Gas or oil flexible pipe .....	8.163
Gas tank cap .....	3.028
Gas tank filler cap gasket. ....	3.028
Gas tank filler door & parts .....	12.944
Gas tank filler door guard unit. ....	12.944
Gas tank filler neck .....	3.003
Gas tank filler neck comp. adapter plate .....	12.944
Gas tank filler neck comp. pocket ..	12.944
Gas tank filler neck cover. ....	12.944
Gas tank filler neck grommet. ....	3.008
Gas tank filler neck hole plug. ....	8.208
Gas tank filler neck seal. ....	3.008
Gas tank gauge. ....	3.107
Gas tank gauge gasket .....	3.112
Gas tank instrument panel gauge ...	3.108
Gas tank strap .....	3.022
Gas tank strap bolt .....	3.023
Gas tank support .....	3.015
Gas tank to fuel pump pipe .....	3.158

Gasket, Automatic hdlp. control .....	2.461, 2.463
Gasket, Axle hsg. to diff. carrier ...	5.508
Gasket, Axle shaft brg. ret. ....	5.819
Gasket, Axle shifter vac. power unit ..	5.635
Gasket, Back-up lamp .....	2.697
Gasket, Brake drum .....	5.811
Gasket, Camshaft thrust bearing .....	0.534
Gasket, Carb. choke hsg. to air horn ..	3.750
Gasket, Carb. low speed jet .....	3.798
Gasket, Carb. strainer screen ret. ...	3.841
Gasket, Carb. therm. hsg. cover .....	3.750
Gasket, Carburetor air horn .....	3.731
Gasket, Carburetor body .....	3.735
Gasket, Carburetor bowl .....	3.735
Gasket, Carburetor bowl cover .....	3.738
Gasket, Carburetor nozzle passage ..	3.775
Gasket, Carburetor nozzle screw .....	3.776
Gasket, Carburetor passage screw ..	3.834
Gasket, Carburetor plunger shaft ...	3.844
Gasket, Carburetor pump cylinder ..	3.844
Gasket, Carburetor pump jet .....	3.803
Gasket, Carburetor to manifold. ....	3.726
Gasket, Copper-asbestos .....	8.955
Gasket, Cowl ventilator cover .....	10.331
Gasket, Crankcase front end cover ..	0.207
Gasket, Crankcase oil ventilator. ....	1.745
Gasket, Cylinder head .....	0.289
Gasket, Distr. vac. control coupling. ...	2.421
Gasket, Dome lamp door switch .....	11.951
Gasket, Door handle .....	16.353
Gasket, Door outside handle ferrule. ...	10.538
Gasket, Double reduction pinion brg. cover .....	5.463
Gasket, Engine front mounting plate. ...	0.005
Gasket, Exhaust pipe flange .....	3.611
Gasket, Fldg. top hyd. motor & pump. ...	14.488
Gasket, Fuel pump bowl .....	3.904
Gasket, Fuel pump to cyl. case .....	3.932
Gasket, Gas filter head .....	3.890
Gasket, Gas tank filler cap .....	3.029
Gasket, Gas tank gauge .....	3.112
Gasket, Gearshift lever ball hsg. ...	4.023
Gasket, Generator commutator end ..	2.300
Gasket, Generator drive end .....	2.307
Gasket, Headlamp to fender .....	2.722
Gasket, Horn diaphragm .....	2.808
Gasket, Hub cap .....	5.966
Gasket, Instrument case .....	9.749
Gasket, Intake to exhaust mldg. ....	3.272
Gasket, Knee action hsg. cover .....	6.390
Gasket, Knee action shock absorber. ...	6.358
Gasket, Main cylinder cover .....	4.663
Gasket, Main cylinder filler plug .....	4.651
Gasket, Main cyl. head outlet .....	4.652
Gasket, Main cylinder outlet fitting ..	4.661
Gasket, Manifold .....	3.270
Gasket, Oil distributor .....	1.790
Gasket, Oil filler tube cap .....	1.517
Gasket, Oil pan drain screw .....	1.458
Gasket, Oil pump cover .....	1.724
Gasket, Oil pump screen cover .....	1.684
Gasket, Parking lamp lens .....	2.590
Gasket paste, Perfect seal .....	8.800
Gasket, Pinion shaft brg. cage .....	5.458
Gasket, Radiator filler cap .....	1.206
Gasket, Rear axle filler plug .....	5.401
Gasket, Rear axle housing cover ...	6.399
Gasket, Rear comp. hd lock cyl. ...	12.247
Gasket, Rear license lamp lens .....	2.707
Gasket, Shock absorber bolt .....	6.384
Gasket, Shock absorber cover .....	7.363
Gasket, Side roof rail .....	10.721
Gasket, Spark plug .....	2.271
Gasket, Starter/vac. control cplg. ....	2.017
Gasket, Strg. gear .....	6.609
Gasket, Strg. gear end cover. ....	6.825
Gasket, Strg. gear hsg. ....	8.005
Gasket, Strg. gear hsg. side cover ...	6.809
Gasket, Strg. gear hyd. pump reserv. bolt .....	6.635
Gasket, Strg. gear hyd. pump reserv. cover .....	6.635
Gasket, Strg. gear power cylinder. ...	6.577
Gasket, Tail and stop lamp socket ..	2.694
Gasket, Tail lamp lens .....	2.694

Gasket, Tail lamp outlook lens . . . . . 2.888  
 Gasket, Thermostat housing . . . . . 1.252  
 Gasket, Trans. case cover . . . . . 4.109  
 Gasket, Trans. governor cover . . . . . 4.256  
 Gasket, Trans. housing side cover . . . . . 4.109  
 Gasket, Trans. main drive gear brg. retainer . . . . . 4.358  
 Gasket, Trans. modulator housing . . . . . 4.208  
 Gasket, Trans. power take-off cover . . . . . 4.440  
 Gasket, Trans. pump . . . . . 4.223  
 Gasket, Trans. rear brg. retainer . . . . . 4.318  
 Gasket, Trans. rear brg. supt. . . . . 4.318  
 Gasket, Trans. oil pan . . . . . 4.196  
 Gasket, Trans. r. oil pan plug . . . . . 4.195  
 Gasket, Trans. rear oil pump . . . . . 4.203  
 Gasket, Trans. r. servo body . . . . . 4.239  
 Gasket, Trans. servo cover . . . . . 4.212  
 Gasket, Trans. thermostat valve spring plug . . . . . 4.216  
 Gasket, Trans. valve body to case . . . . . 4.217  
 Gasket, Trans. valve body to housing . . . . . 4.217  
 Gasket unit, Carb. replacement . . . . . 3.724  
 Gasket unit, Door outside handle . . . . . 10.538  
 Gasket unit, Engine . . . . . 0.010  
 Gasket unit, Oil pan . . . . . 1.429  
 Gasket unit, Transmission . . . . . 4.005  
 Gasket unit, Wheelhouse access hole cover . . . . . 12.944  
 Gasket, Vac. brake cyl. end plug . . . . . 4.910  
 Gasket, Vac. brake cyl. relay valve . . . . . 4.944  
 Gasket, Vac. brake cyl. valve body . . . . . 4.940  
 Gasket, Vac. brake cyl. valve body cover . . . . . 4.917  
 Gasket, Vac. brake cylinder . . . . . 4.904  
 Gasket, Vac. brake hyd. cyl. pipe fitting adapter . . . . . 4.957  
 Gasket, Vac. brake push rod rel. . . . . 4.910  
 Gasket, Valve push rod cover . . . . . 0.443  
 Gasket, Valve rocker arm cover . . . . . 0.423  
 Gasket, Water pump assy. . . . . 1.079  
 Gasket, Windshield wiper motor . . . . . 10.152  
 Gasket, Windshield wiper trans. . . . . 10.160  
 Gasket, Water outlet . . . . . 1.154  
 Gasket, Water pump assy to block . . . . . 1.078  
 Gasket, Water pump body . . . . . 1.114  
 Gasket, Wheel hub oil deflector . . . . . 5.819  
 Gasoline instrument panel gauge . . . . . 3.108  
 Gasoline, pipe fittings . . . . . 3.184  
 Gasoline tank . . . . . 3.001  
 Gasoline tank bracket . . . . . 3.015  
 Gasoline tank filler cap . . . . . 3.028  
 Gasoline tank gauge . . . . . 3.107  
 Gate assembly, Lower end . . . . . 12.179, 17.185  
 Gate assy., End . . . . . 12.179, 17.185, 17.615  
 Gate assy., Side stake . . . . . 17.500  
 Gate hinge pin . . . . . 17.524  
 Gauge, Carb. metering rod adj. . . . . 3.809  
 Gauge, Gas tank . . . . . 3.107  
 Gauge, Gas tank instrument panel . . . . . 3.108  
 Gauge, Oil pressure . . . . . 1.803  
 Gauge, Trans. oil filler tube . . . . . 4.133  
 Gauge, Water temperature . . . . . 1.148  
 Gear and pinion unit, Rear axle . . . . . 5.528  
 Gear assy., Speed drive W/lifting . . . . . 4.937  
 Gear assy., Steering . . . . . 6.508  
 Gear, Brake wheel cylinder adj. . . . . 4.674  
 Gear, Camshaft timing . . . . . 0.738  
 Gear, Crankshaft timing . . . . . 0.728  
 Gear, Countershaft . . . . . 4.421  
 Gear, Differential pinion . . . . . 5.526  
 Gear, Differential side . . . . . 5.528  
 Gear, Distributor . . . . . 2.374  
 Gear, Double reduction with pinion . . . . . 5.478  
 Gear, Reverse center . . . . . 4.180  
 Gear shifter lock screw . . . . . 4.312  
 Gear, Speedometer . . . . . 4.937  
 Gear, Trans. brake . . . . . 4.187  
 Gear, Trans. countershaft . . . . . 4.421  
 Gear, Trans. first, second & reverse . . . . . 4.417  
 Gear, Trans. main drive gear . . . . . 4.351  
 Gear, Trans. oil pump driven gear . . . . . 4.211  
 Gear, Trans. pump drive gear . . . . . 4.210  
 Gear, Trans. reverse idler . . . . . 4.430  
 Gear, Transmission 2nd speed . . . . . 4.395  
 Gear, Trans. sliding 3rd and 4th . . . . . 4.415  
 Gear, Transmission main drive . . . . . 4.351  
 Gears, Transmission . . . . . 4.395, 4.430

Gearshift anti-rattle spring . . . . . 11.581  
 Gearshift bracket . . . . . 4.006  
 Gearshift cont. bellcrank . . . . . 4.018  
 Gearshift control lever . . . . . 4.019  
 Gearshift control lock . . . . . 4.018  
 Gearshift cont. lwr. support cap . . . . . 4.018  
 Gearshift control rod . . . . . 4.019  
 Gearshift control shaft . . . . . 4.007  
 Gearshift control shaft bushing . . . . . 4.015  
 Gearshift control shaft hsg. & cover . . . . . 4.022  
 Gearshift control shaft hsg. clamp . . . . . 4.022  
 Gearshift control shaft hsg. plug . . . . . 4.022  
 Gearshift control shaft lever assy. . . . . 4.018  
 Gearshift control support . . . . . 4.018  
 Gearshift, Cylinder tee . . . . . 4.046  
 Gearshift fork . . . . . 4.303  
 Gearshift interlock . . . . . 4.097, 4.310  
 Gearshift interlock guide plate . . . . . 4.095  
 Gearshift interlock lever . . . . . 4.099  
 Gearshift interlock pin . . . . . 4.095  
 Gearshift lever assy. . . . . 4.006  
 Gearshift lever ball housing . . . . . 4.027  
 Gearshift lever ball hsg. gasket . . . . . 4.023  
 Gearshift lever ball retainer . . . . . 4.022  
 Gearshift lever cap & seal . . . . . 4.015  
 Gearshift lever knob . . . . . 4.009  
 Gearshift lever link . . . . . 4.006  
 Gearshift lever link bolt . . . . . 4.006  
 Gearshift lever link extension lock . . . . . 4.006  
 Gearshift lever pivot pin & spring . . . . . 4.025  
 Gearshift lever, Rear axle . . . . . 5.618  
 Gearshift lever spring . . . . . 4.026  
 Gearshift lever spring cup . . . . .  
 Ret. & seat . . . . . 4.027  
 Gearshift lever swivel . . . . . 4.006  
 Gearshift locating ball . . . . . 4.311  
 Gearshift locating ball spring . . . . . 4.311  
 Gearshift lock plunger spring . . . . . 4.311  
 Gearshift oper. lever and parts . . . . . 4.041, 4.044  
 Gearshift oper. lever link anti-rattle spring . . . . . 4.020  
 Gearshift oper. shaft spring . . . . . 4.307, 4.108  
 Gearshift rev. latch . . . . . 4.033  
 Gearshift rev. latch cable . . . . . 4.030  
 Gearshift rev. latch rod & brkt. . . . . 4.030  
 Gearshift rev. latch rod spring . . . . . 4.006  
 Gearshift seal "O" ring . . . . . 4.006  
 Gearshift selector cont. lever hshg. . . . . 4.021  
 Gearshift selector cont. rod spring . . . . . 4.020  
 Gearshift selector guide . . . . . 4.021  
 Gearshift selector operating lever . . . . . 4.021  
 Gearshift selector rod sleeve . . . . . 4.021  
 Gearshift shaft . . . . . 4.309  
 Gearshift strg. col. slctr. rod & swivel . . . . . 4.020  
 Gearshift throttle rod anti-rattle washer . . . . . 4.019  
 Gearshift "U" bolt lower insulator . . . . . 4.018  
 Gearshift vac. cyl. air cleaner . . . . . 4.058  
 Gearshift vac. cyl. air cleaner gskt. . . . . 4.059  
 Gearshift vac. cyl. cushion . . . . . 4.046  
 Gearshift vac. cyl. cushion seat . . . . . 4.046  
 Gearshift vac. cyl. piston lock ring . . . . . 4.076  
 Gearshift vac. cyl. piston seal . . . . . 4.077  
 Gearshift vac. cyl. piston seal packing . . . . . 4.077  
 Gearshift vac. cyl. piston seal packing spring . . . . . 4.078  
 Gearshift vac. cyl. piston valve pin . . . . . 4.079  
 Gearshift vac. cyl. piston valve pin return spring . . . . . 4.079  
 Gearshift vac. cyl. piston valve trim . . . . . 4.079  
 Gearshift vac. cyl. support bracket . . . . . 4.046  
 Gearshift vac. cyl. valve . . . . . 4.072  
 Gearshift vac. cyl. valve spring . . . . . 4.073  
 Gearshift vacuum power cyl. assy. . . . . 4.045  
 Gearshift yoke . . . . . 4.303  
 Gear unit, Reverse . . . . . 4.183  
 Generator . . . . . 2.275  
 Generator armature . . . . . 2.278  
 Generator armature nut & 1/washer . . . . . 2.280  
 Generator bearing . . . . . 2.308  
 Generator brace . . . . . 2.317  
 Generator bracket . . . . . 2.277  
 Generator brush . . . . . 2.285  
 Generator brush spring . . . . . 2.286

Generator brush plate and screw . . . . . 2.287  
 Generator brush arm and holder . . . . . 2.281  
 Generator bushing . . . . . 2.313  
 Generator circuit breaker . . . . . 2.319  
 Generator commutator cover band . . . . . 2.289  
 Generator comm. end cap and gskt. . . . . 2.300  
 Generator commutator end frame . . . . . 2.297  
 Generator drive end parts . . . . . 2.305, 2.307  
 Generator end frame bushing . . . . . 2.298  
 Generator field coil . . . . . 2.310  
 Generator mounting . . . . . 2.275  
 Generator oil filler fittings . . . . . 2.301  
 Generator oil pipe . . . . . 2.301  
 Generator oil plug . . . . . 2.301  
 Generator pin . . . . . 2.302  
 Generator pulley and fan . . . . . 2.274  
 Generator resistance . . . . . 2.314  
 Generator stud and terminal . . . . . 2.313  
 Generator through bolt . . . . . 2.316  
 Generator washer . . . . . 2.313  
 Glareour glide cushion protector . . . . . 3.550  
 Glareshade unit . . . . . 10.203  
 Glass, Back door window . . . . . 11.185  
 Glass, Back window . . . . . 11.204, 16.464  
 Glass clamer . . . . . 8.800  
 Glass, Clock . . . . . 9.772  
 Glass, Dome lamp . . . . . 11.928, 16.485  
 Glass, End gate upper . . . . . 12.180, 17.190  
 Glass, Front door . . . . . 10.681, 16.180  
 Glass, Front door ventilator . . . . . 10.658  
 Glass, Instrument case face . . . . . 9.748  
 Glass, Quarter window . . . . . 11.011  
 Glass, Rear corner window . . . . . 16.464  
 Glass, Rear door . . . . . 10.741  
 Glass, Rear door ventilator . . . . . 10.827  
 Glass retainer, Instrument face . . . . . 9.747  
 Glass run channel . . . . . 10.701, 10.759, 11.021, 11.223, 16.200  
 Glass, Side door ventilator . . . . . 16.174  
 Glass, Side window . . . . . 17.138  
 Glass, Upper end gate . . . . . 17.190  
 Glass, Windshield . . . . . 10.027, 16.005  
 Glove comp. door . . . . . 10.261, 16.110  
 Glove comp. door bumper . . . . . 10.263, 16.110  
 Glove comp. door hinge . . . . . 10.262, 16.115  
 Glove comp. door knob assy. . . . . 10.266, 16.110  
 Glove comp. door mldg. . . . . 10.272  
 Glove compartment . . . . . 10.260, 16.100  
 Glove compartment clock unit . . . . . 9.772  
 Glove comp. light switch . . . . . 10.275, 16.100  
 Governor assy., Transmission . . . . . 4.256  
 Governor, Carburetor . . . . . 3.865  
 Gravel deflector, Quarter panel . . . . . 12.944  
 Grease cup . . . . . 8.984  
 Grease cup hole plug . . . . . 2.364  
 Grease deflector, Pitman arm bushing . . . . . 6.866  
 Grille guard . . . . . 7.828  
 Grille guard parts . . . . . 7.830  
 Grille, Radiator . . . . . 1.266  
 Grille, Radio . . . . . 10.256, 16.083  
 Grille reinforcement . . . . . 1.266  
 Grip, Brake pawl rod . . . . . 4.600  
 Grommet . . . . . 9.775  
 Grommet, Accelerator rod toe board . . . . . 3.469  
 Grommet, Door outside handle ferrule . . . . . 10.538, 16.353  
 Grommet, Gas tank filler neck . . . . . 3.008  
 Grommet, Gearshift operating lever . . . . . 4.044  
 Grommet, Ignition switch cable . . . . . 9.775  
 Grommet, Muffler tail pipe supt. . . . . 3.707  
 Grommet, Oil pump suction pipe . . . . . 1.531  
 Grommet, Rear door vent. air deflac. . . . . 10.833  
 Grommet, Steering post . . . . . 8.758  
 Grommet, Sunshade rod . . . . . 10.224  
 Grommet, Tail pipe bracket . . . . . 3.709  
 Grommet, Windshield wiper control connecting link . . . . . 10.168  
 Grommet, Windshield wiper motor . . . . . 10.152  
 Groove pin . . . . . 8.940  
 Ground Cable, Battery . . . . . 2.341  
 Guard, Bumper & grille front or rear . . . . . 7.828  
 Guard, Fender . . . . . 7.827  
 Guard, Front license plate . . . . . 7.799  
 Guard parts, Bumper . . . . . 7.830

Guard, Propeller shaft	5.444
Guard Unit, Gas tank filler door	12.944
Guide, Brake pull rod	4.820
Guide, Brake shoe spring	5.026
Guide, Carb. check valve spring	3.825
Guide, Control wires	3.483
Guide, Door window	10.728
Guide, Hood catch control rod tube	8.077
Guide, Hood catch rod	8.033
Guide, Parking brake idler lever	4.791
Guide, Parking brake pedal lock	4.603
Guide, Rear quarter window	11.040
Guide, Rear wheel cover lock	8.176
Guide, Rear wheel cover panel	8.176
Guide, Shifter yoke	4.305
Guide, Starter pedal floor board	2.014
Guide, Strg. col. gearshift selector	4.021
Guide, Strg. gear ball return	8.842
Guide, Strg. gear hyd. pump reserv.	6.635
Guide, Strg. gear rack	6.590
Guide, Trans. front servo	4.226
Guide, Valve stem	0.283, 0.286
Guide, Wheel carrier tire	7.783
Gutter, Folding top rear quarter	12.945
Gutter, Quarter window	11.009
Gutter, Rear compartment lid	12.996

**K**

Hand brake cable axle bracket	4.828
Handle, Ash tray	16.120
Handle, Back dr. inside lock	16.333
Handle, Body side assist	16.450
Handle, Cowl ventilator adj.	10.313, 16.130
Handle, Door lock inside	10.512
Handle, Door lock outside	10.527, 16.350
Handle, Door lock remote control	16.345
Handle, Door outside, Non-locking	16.360
Handle, Door outside plain	10.534
Handle, Door window reg.	10.797, 16.270
Handle, End gate, less cyl.	12.246
Handle, End gate, w/cyl. and keys	12.247, 17.204
Handle escutcheon, Door outside	10.536
Handle, Fldg. top front roof rail	14.080
Handle, Front door vent. reg.	10.864
Handle, Front seat adjuster	11.588
Handle, Hood catch	8.030
Handle, Jack	8.820
Handle, Parking brake	4.592
Handle push button & lock cyl. parts	10.552
Handle push button spring seat	16.353
Handle, Quarter window regulator	11.044
Handle, Rear comp. lid lock	12.246, 12.247
Handle, Rear door ventilator	10.824
Handle, Seat adjuster	11.588, 16.682
Handle, Side door ventilator	16.176
Handle, Side window sliding glass	17.136
Handle, Windshield regulator	16.050
Hanger, Battery	2.333
Hanger, Front spring	7.103
Hanger, Front spring, Rear	7.303
Hanger, Frt. prop. shaft bearing	5.432
Hanger, Rear spring, Front	7.112
Hanger, Rear spring, Rear	7.118
Hanger, Step front, Center, Rear	7.016
Harness, Azim. to starting switch wiring	2.525
Harness, Body wiring	13.090
Harness, Chassis wiring	2.555
Harness, Fldg. top control wiring	14.484
Harness, Parking lamp wiring	2.588
Harness, Reversing switch	2.122
Head, Brake camshaft lever rod cross	5.200
Head, Cylinder	0.288
Head, Reverse shifter	4.303
Headlamp assembly	2.725
Headlamp beam adjusting screw & nut	2.737
Headlamp bolt nut	2.548
Headlamp bushing	2.751
Headlamp dimmer switch	2.459
Headlamp lens and sealed beam	2.727

Headlamp lens retainer spring	2.730
Headlamp lens seal	2.735
Headlamp moulding	2.728
Headlamp ornament	2.724
Headlamp reflector	2.734
Headlamp rim	2.728
Headlamp rim ring	2.731
Headlamp sockets	2.750
Headlamp support	2.546
Headlamp wire junction block	2.580
Headlining clip	12.954
Headlining finish binding	14.650
Headlining listing support wire	12.955
Headlining retainer	17.102
Headlining support	12.955
Headlining trim assy.	14.640, 17.102
Headlining trim retainer	14.651
Headlining wire to roof rail thimble	12.954
Heat indicator conduit fitting	0.277
Heater & defroster control knob	8.852
Heater air control knob	9.787
Heater air distributor	9.786
Heater connections, Hot water	8.866
Heater core, Hot water	8.854
Heater tap, Hot water	8.857
Heater hose	8.848
Heater hose bracket, Hot water	8.847
Heater, Hot water	8.845
Heater motor, Hot water	8.855
Heater switch, Hot water	8.852
Heater temp. control knob	8.852
Hexagon head bolt	8.900
Hexagon nut	8.915
Hidden binding	15.534
Hidden binding clip	15.534
Hinge assy., Fldg. seat bottom cushion	11.380
Hinge assy., Hood panel & rad. shell	8.015
Hinge, Back door	16.461, 16.320
Hinge bolt, Auxiliary seat	16.674
Hinge bolt, Fldg. top	14.320
Hinge box, Rear comp. lid	12.184
Hinge bushing, Door	10.464
Hinge, End gate	12.184, 17.208
Hinge, Folding seat	11.380
Hinge, Fldg. top female	14.310
Hinge, Front door	10.450, 10.454, 16.320
Hinge, Headlamp reflector	2.738
Hinge, Hood panel	8.015
Hinge, Instr. panel comp. door	10.262, 16.115
Hinge pillar to floor brace	12.658
Hinge pin, Door	10.464, 16.323
Hinge pin, Hood	8.016
Hinge, Quarter window	11.052
Hinge, Rear compartment lid	12.184
Hinge, Rear door	10.458, 10.460
Hinge sleeve, Auxiliary seat	16.674
Hinge, Stake and sign board gate	17.524
Hinge strap, Door glass fldg. run channel	10.700
Hinge, Windshield frame	16.020
Hold-down bolt	8.008
Hold-down bolt bumper	9.011
Hold-down bolt, Rear bumper retainer	9.011
Holder, Starting motor brush	2.052
Hood bumper	8.024
Hood catch assembly	8.028
Hood catch bracket	8.007
Hood catch control rod and tube	8.075
Hood catch control rod tube parts	8.077
Hood catch handle	8.030
Hood catch lock plate bolt spring ret.	8.085
Hood catch lock plate latch	8.082
Hood catch lock plate spring	8.081
Hood catch rod guide	8.033
Hood emblem and moulding, Front	8.055
Hood emblem moulding	8.055
Hood half assy.	8.002
Hood hinge cowl bracket bolt	8.016
Hood hinge pin	8.016
Hood hinge rod	8.016
Hood hinge rod bracket nut	8.064
Hood hinge spring and bracket	8.013
Hood ledge cowl anti-squeak	9.127
Hood lower moulding and parts	8.005

Hood lower catch plate	8.080
Hood name plate nut	8.040
Hood ornament	8.055
Hood panel battle and seal	8.010
Hood panel hinge and parts	8.015
Hood panel inct. tie plate	8.009
Hood safety catch spring	8.084
Hood side mldg. bolt	8.016
Hood side name plate	8.039
Hood side panel	8.001
Hood support rod bracket	8.013
Hood top moulding fastener	8.056
Hood top panel	8.000
Hood top panel moulding	8.015
Hood upper catch plate	8.083
Hook, Coat	8.895, 15.388
Hook unit, Garment	8.895
Horn	2.810
Horn assy., Carb. air	3.730
Horn base	2.809
Horn blowing cap	2.817
Horn blowing cap & ring conn. insulator	2.818
Horn blowing ring bumper	2.837
Horn blowing ring cushion & spring	2.816
Horn blowing ring trim moulding	2.838
Horn blowing ring unit	2.830
Horn bracket	2.845
Horn button	2.817
Horn button cap & retainer	2.820
Horn button cushion & spring	2.816
Horn diaphragm & gasket	2.808
Horn, Front spring	7.103
Horn projector	2.811
Horn relay	2.815
Horn wire assy.	2.859
Hose, Air cleaner to carb. pipe	3.407
Hose clamp	1.166
Hose, Cowl ventilator drain	10.344, 16.127
Hose, Defroster	9.779
Hose, Fldg. top motor to oper. valve	14.472
Hose, Gas tank filler neck	3.003
Hose, Heater	8.846
Hose, Hydraulic brake	4.680
Hose, Radiator inlet	1.159
Hose, Radiator outlet	1.173
Hose, Radiator overflow	1.240
Hose, Radiator overflow tank	1.240
Hose, Rubber	8.962
Hose, Strg. gear pressure & return	6.670, 6.671
Hose, Transmission oil cooler	4.128
Hose, Vac. brake cyl. air cleaner	4.913
Hose, Vac. brake cylinder	4.931
Hose, Vacuum booster air cleaner	4.056
Hose, Windshield wiper	10.155, 16.066
Hot water heater	8.845
Housing assy., Carb. choke	3.751
Housing assembly, Frt. prop. shaft	5.435
Housing, Back door check	16.440
Housing, Brake camshaft lever rod	5.135
Housing, Carb. choke	3.751
Housing, Clock	9.772
Housing, Clutch	0.883
Housing, Distributor	2.362
Housing, End gate hinge	17.208
Housing, Gearshift control shaft	4.022
Housing, Gearshift lever ball	4.022
Housing, Parking lamp	2.586
Housing, Pitman shaft, with bushing	6.785
Housing, Propeller shaft	5.504
Housing, Rear axle	5.387
Housing, Starting motor drive	2.085
Housing, Steering gear	6.803
Housing, Thermostat	1.251
Housing, Wheel lock	7.679
Housing, Trans. hydraulic modulator	4.208
Hub assembly, Trans. synchronizing	4.384
Hub bolts	5.812
Hub bolt nut	5.813
Hub bushing, Torque converter cover	4.115
Hub cap gasket	5.866
Hub cap lock spring	5.864



Lever, Parking brake	4.581
Lever, Parking brake idler	4.792
Lever, Parking brake operating	5.610
Lever, Parking brake shoe	5.149
Lever, Prop. shaft parking brake shoe	5.610
Lever, Rear axle gearshift	5.619
Lever, Rear axle shift rod idler	5.629
Lever, Reverse shifter	4.306
Lever, Shifter yoke	4.302
Lever, Signal lamp switch	2.906
Lever, Speedometer gear adapter	4.323
Lever, Starting motor drive	2.108
Lever, Starting mtr. reversing switch	2.118
Lever, Strg. col. gearshift control shaft	4.016
Lever, Strg. col. gearshift operating	4.041
Lever, Strg. col. gearshift selector	4.021
Lever, Throttle control	3.580
Lever, Throttle control outer	4.286
Lever, Trans. band	4.236
Lever, Trans. shifter	4.041
Lever, Trans. manual valve housing	4.218
Lever, Trans. modulator control	4.208
Lever, Trans. park. lock detent	4.220
Lever, Trans. reverse band	4.246
Lever, Trans. throttle valve cont.	
outer	4.041, 4.286
Lever unit, Trans. rev. shifter	4.302
License and tail lamp bracket	2.662
License bracket pad	2.660
License Lamp Door	2.706
License Lamp Lens Gasket	2.707
License lamp name plate	2.704
License plate bracket, Front	7.796
License plate frame	8.777
License plate guard, Front	7.799
License plate guard support, Front	7.799
License plate lamp pad	2.702
Lid, Rear compartment	12.181
Lift, Fldg. top hydraulic cylinder	14.475
Lifter, Valve push rod hydraulic	0.459
Light, Instr. panel comp.	10.275, 16.100
Lighter, Cigarette	9.709
Lighting cable, Conn., Loom & term.	2.530
Lighting switch & parts	2.465, 2.499
Lighting wires	2.525
Lining, Brake band	5.018
Lining, Front compartment rear	15.103
Lining, Luggage compartment	15.222
Lining, Top	15.530
Link assy., Fldg. top control	14.140
Link assy., Hood panel	8.015
Link assy., Starting mtr. drive shift	2.113
Link, Brake shoe	5.036
Link, Carb. fast idle	3.768
Link, Carb. pump connector	3.843
Link, Clutch fork control	0.854
Link, Clutch release	0.787
Link, Compartment lid hinge	12.187
Link, Cowl vent. adjusting	18.135
Link, Door check	10.806, 16.430
Link, Door lock remote control	
connecting	10.506
Link, Drivers seat back hinge	16.888
Link, Fldg. top No. 1 bow	14.280
Link, Fldg. top side roof rail	14.140
Link, Front stabilizer shaft supt.	7.240
Link, Gearshift lever	4.008
Link, Gearshift shaft oper. lever	4.042
Link, Parking brake inner conn.	5.610
Link, Parking brake lever	4.606
Link, Parking brake outer conn.	5.610
Link, Reversing switch connecting	2.118
Link, Shock absorber	7.355
Link, Starter pedal	2.033
Link, Tail lamp	2.654
Link, Trans. reverse brake band	4.246
Link unit, Parking brake operating	5.610
Link, W/S wiper control connecting	10.167
Link, Windshield wiper	16.083
Linkage, Rear axle gearshift	5.623
Lock assembly, Tire carrier	7.675
Lock, Axle shaft	5.422
Lock, Axle shaft or wheel hub nut	5.830
Lock, Back door	10.479, 16.330
Lock, Brake shoe anchor pin	5.057
Lock, Brake shoe friction pin	5.030

Lock, Clutch & Brake pedal shaft	0.834
Lock, Crankcase lrt. end cover bolt	0.208
Lock, Ck/Shaft bearing cap bolt	0.060
Lock, Ck/Shaft front end cover	0.206
Lock cyl., Door safety	10.474
Lock cyl., Instr. panel door	10.266
Lock cyl. parts, Door hdlc. push	
button	10.552
Lock, Differential bearing adj. nut	5.539
Lock, Door	10.470, 10.473, 16.330
Lock, End gate and	
rear comp. lid	12.242, 17.198
Lock, Engine mounting bolt	0.003
Lock, Flywheel to crankshaft bolt	0.869
Lock, Front door safety	10.548
Lock, Front door ventilator	10.558
Lock, Gearshift control	4.018
Lock, Gearshift lever link extension	4.006
Lock, Gearshift lever swivel pin	4.017
Lock handle parts, Tire comp.	17.721
Lock nut	8.917
Lock, Parking brake pedal	4.603
Lock, Parking brake shoe lever	5.030
Lock parts, Back door vertical	15.332
Lock parts, End gate handle	17.204
Lock pillar to floor brace	12.684
Lock pin, King pin	6.216
Lock, Radius rod bracket bolt	5.013
Lock, Rear compartment lid	12.242
Lock, Rear door	10.473
Lock ring, Axle shaft oil seal	5.822
Lock sleeve, Axle shaft stud	5.422
Lock, Trans. main gear bearing	4.376
Lock, Trans. mounting support bolt	4.088
Lock, Trans. parking brake	4.284
Lock, Trans. reverse band	4.246
Lock, Trans. rear brg. retainer	4.412
Lock, Trans. reverse idler shaft	4.435
Lock, Trans. reverse shifter lever nut	4.302
Lock, Trans. turbine hub bolt	4.115
Lock, Wheel hub nut	5.830
Lockwasher	8.931, 8.932
L/Washer, Connecting rod clamp bolt	0.609
L/Washer, Generator armature	2.280
L/Washer, Oil pump screen cover bolt	1.864
L/Washer, Pitman arm	6.861
L/Washer, Starting motor spring	2.093
Loom, Lighting	2.530
Loop, Top hold down footman	13.429
Louver moulding and parts, Hood	8.005
Lower end gate belt mldg.	12.121
Lower end gate finishing cover	12.195
Lower end gate finishing mldg.	12.195
Lower end gate opening windlace	12.185
Lower end gate supt. bumper	12.212
Lubricant, Hydraulic brake	4.683
Lubricant, Stainless stick	8.800
Luggage compartment lamp	8.898

M

Main cylinder bracket	4.648
Main cylinder cover gasket	4.663
Main cylinder head outlet gasket	4.952
Main cyl. pipe connector bolt	4.861
Main cylinder piston cup	4.854
Main cyl. piston stop plate & lock ring	4.656
Main cylinder plug and gasket	4.851
Main cylinder support	4.848
Main cylinder valve	4.557
Manifold clamp	3.278
Manifold, Exhaust	3.601
Manifold fittings	3.278
Manifold gasket	3.270
Manifold heat control valve disc &	
washer	3.654
Manifold heat control valve spring	3.653
Manifold, Intake	3.255
Manifold stud nut	3.277
Manifold to carburetor stud	3.288
Manifold washer	3.276
Marker unit, Front fender	8.147, 9.162
Mask, Automatic hdlp. control	2.463
Mask, Instrument face	9.745
Mast jacket	6.518

Mast jacket bearing	6.521
Mast jacket horn wire assy.	2.959
Mat, Dash panel	15.280, 16.802
Mat, Dash panel instr. inspect. hole	12.802
Mat, Door opening step	15.290
Mat, Front floor	15.286, 16.800
Mat, Rear compartment	15.294
Mat, Rear floor	15.292, 15.308
Mat, Rear of front seat and rocker	15.292
Mat, Running board	8.316
Mat, Toe board	16.800
Material, Top covering	15.490
Medallion, Door wind. garnish mldg.	11.086
Medallion, Grille guard	7.830
Medallion, Tail and stop lamp	2.680
Member assy., Frame side	7.006
Member, Engine rear support	7.229
Member, Frame cross	7.010, 7.014
Member, Frame cross, Second	7.011
Member, Frame cross third	7.012
Member, Front suspension cross	6.098
Member, Sub-frame	7.008
Member, Sub-frame side	7.007
Member, Wheel carrier track	7.782
Mirror, Rear view	10.185, 16.068
Mirror, Vanity	10.195
Motor, Folding top	14.481
Motor, Hot water heater	8.855
Motor, Rear window wiper	11.254
Motor, Starting	2.041
Motor, Windshield wiper	10.150, 16.064
Moulding and parts, Hood louver	8.005
Moulding & parts, Instr. panel	10.252, 16.081
Moulding attach. parts, Running	
board & body sill	8.309
Moulding, Back door belt	12.120
Moulding, Back door opening finish	10.393
Moulding, Back window division	11.216
Moulding, Back wind. garnish	11.120, 16.475
Moulding, Back wind. glass reveal	11.208
Moulding, Body floor	11.370
Moulding, Body side trim panel	17.116
Moulding, Body sill	8.304
Moulding, Center pillar belt	12.113
Moulding, Cowl belt	12.110
Moulding, Door arm rest	14.688
Moulding, Door garnish mldg.	
finish	11.086, 11.101
Moulding, End gate	12.195
Moulding, End gate upper	12.180
Moulding fastener, Hood top	8.056
Moulding, Fender	12.116
Moulding, Fender crown	12.114, 12.116
Moulding, Fender sect. clip	12.114
Moulding, Front door belt	12.112
Moulding, Front door trim finish	14.691
Moulding, Front door window	
garnish	11.075, 16.290
Moulding, Front door window reveal	10.707
Moulding, Front fender & fender cap	8.132
Moulding, Front seat back finish	14.918
Moulding, Front seat side trim	14.918
Moulding, Headlamp	2.728
Moulding, Hood emblem	6.015
Moulding, Hood front	8.055
Moulding, Hood top panel	8.015
Moulding, Horn blowing ring trim	2.838
Moulding, Instr. panel comp.	
door	10.272, 16.111
Moulding, Instr. panel radio grille	16.081
Moulding, Lower end gate belt	12.121
Moulding, Lower end gate finishing	12.195
Moulding, Quarter belt finishing	11.119
Moulding, Quarter window garnish	11.119
Moulding, Quarter window reveal	11.031
Moulding, Radiator grille & shell	1.269
Moulding, Radiator grille filler panel	1.269
Moulding, Rear body lock pillar	12.486
Moulding, Rear compartment lid	12.182
Moulding, Rear door belt	12.114
Moulding, Rear door trim finish	14.764
Moulding, Rear door window garnish	11.089
Moulding, Rear door wind. reveal	10.772
Moulding, Rear end belt	12.121



Moulding, Rear fender	8.204, 12.116
Moulding, Rear license plate lamp	2.704
Moulding, Rear quarter belt	12.116
Moulding, Rear quarter trim	15.101
Moulding, Rear seat back	15.020
Moulding, Rr. seat heel panel finish	15.047
Moulding, Rear side body pillar	17.160
Moulding, Rear wheel cover	8.176
Moulding, Roof drip	12.075, 18.842
Moulding, Roof inner trim	14.651
Moulding, Roof panel	12.097
Moulding, Running board & body sill	8.304
Moulding, Side door trim panel	16.166
Moulding, Side door window reveal	16.185
Moulding side rail escn.	14.651
Moulding, Side trim panel	15.264
Moulding, Side window garnish	17.136
Moulding, Side window reveal	17.136
Moulding, W/Shield division outer	10.052, 16.017
Moulding, W/Shield division inner	10.053, 16.018
Moulding, W/Shield garnish	10.051, 16.013
Moulding, W/Shield reveal	10.093, 16.041
Mounting brckt., Parking lamp hsg.	2.587
Mounting, Engine	0.027
Mounting, Fldg. top hyd. mtr. & pump	14.486
Mounting gasket, Engine	0.005
Mounting, Generator	2.275
Mounting plate, Steering gear	6.797
Mounting, Trans. support	4.081
Mounting unit, Engine	0.027
Mud Flap unit	8.214
Muffler assy.	3.701
Muffler bracket	3.704
Muffler, Engine exhaust	3.701
Muffler exhaust pipe assy.	3.808
Muffler insulator	3.704
Muffler strap	3.704
Muffler tail pipe & extension	3.705
Muffler tail pipe bracket & supt.	3.706
Muffler tail pipe "U" bolt unit	3.708

N

Name plate	12.162
Name plate clip	12.163
Name plate, Fldg. top vac. control	14.468
Name plate, Front fender	8.147
Name plate, Hood side	8.038
Name plate, Instrument panel	10.252
Name plate, Rear license lamp	2.704
Neck, Gas tank filler	3.003
Neck, Radiator filler	1.210
Needle bearing, Pitman shaft	8.788
Needle unit, Carburetor intake	3.814
Nipple, Axle gearshift vac. hose	5.838
Nipple, Oil, dist. to rocker pipe	1.531
Nipple, Spark plug wire	2.258
Nozzle, Carburetor	3.774
Nozzle, Timing gear oil	0.748
Nozzle, Windshield washer spray	8.798
Nut, Axle shaft	5.421
Nut, Axle shaft bearing retainer	5.829
Nut, Battery hanger clamp	2.334
Nut, Blind	8.919
Nut, Brake drum retaining	5.810
Nut, Brake shoe adj. screw	5.111
Nut, Brake shoe hold down bolt	5.043
Nut, Castellated	8.917
Nut, Check	8.918
Nut, Clutch pedal adj.	0.841
Nut, Connecting rod bolt	0.626
Nut, Cowl anchor	16.556
Nut, Cowl bolt	12.110
Nut, Demountable rim	5.835
Nut, Differential bearing adj.	5.537
Nut, Distributor terminal	2.400, 2.401
Nut, Door check	16.437
Nut, Door check link retainer	10.821
Nut, Door frame stiffener	10.380
Nut, Double reduction pinion	5.481
Nut, End gate bolt	12.195
Nut, Engine mounting bolt	0.002
Nut, Exhaust manifold stud	3.277

Nut, Fender attaching	8.143, 8.219, 12.751
Nut, Fender retainer	12.751
Nut, Flywheel bolt	0.688
Nut, Fldg. top cover retainer	13.353
Nut, Frt. door glass division channel	10.688
Nut, Front spring eye bolt	7.432
Nut, Front stabilizer link	7.238
Nut, Gas tank strap	3.023
Nut, Generator armature	2.280
Nut, Headlamp beam adj. screw	2.737
Nut, Headlamp bolt	2.548
Nut, Hexagon regular	8.915
Nut, Hood hinge rod bracket	8.064
Nut, Hood name plate	8.040
Nut, Hub bolt	5.813
Nut, Ignition lock	2.198
Nut, License bracket clamp	2.870
Nut, Lock	8.917
Nut, Main cylinder attach.	4.684
Nut, Main cylinder outlet	4.652
Nut, Parking brake lever grip screw	4.600
Nut, Parking brake release rod	4.584
Nut, Parking brake shoe lever adj.	5.810
Nut, Parking lamp	2.587
Nut, Parking lamp door	2.584
Nut, Pinion shaft bearing lock	5.448
Nut, Pitman arm	8.861
Nut, Pitman shaft adjusting screw	8.823
Nut, Prop. shaft pinion flange	5.595
Nut, Radiator name plate attaching	1.307
Nut, Rear fender anchor	8.206
Nut, Rear license lamp	2.708
Nut, Rear spring hanger eye bolt	7.530
Nut, Rear spring "U" bolt	5.813, 7.516
Nut, Rear view mirror	10.186, 16.088
Nut, Rear wheel hub adj.	5.829
Nut, Release rod	4.603
Nut, Shock absorber link	7.355
Nut, Shock absorber relief valve	7.351
Nut, Slotted	8.917
Nut, Stamped or speed	8.921
Nut, Strg. arm ball	6.108
Nut, Strg. gear ball	8.941
Nut, Strg. gear hyd. piston rod	6.581
Nut, Strg. gear hyd. worm brg. lock	8.531
Nut, Strg. gear pitman arm	6.681
Nut, Strg. gear worm thrust	6.532
Nut, Strg. knuckle arm	6.104
Nut, Strg. knuckle spindle	6.022
Nut, Strg. knuckle supt. lwr. arm shaft	8.170
Nut, strg. wheel	6.516
Nut, Sunshade adjusting sleeve	10.224
Nut, Tail lamp door	2.688
Nut, Tail lamp outlook lens	2.691
Nut, Tee	8.823
Nut, Terminal	2.400
Nut, Throttle control wire	3.483
Nut, Torque converter anchor	4.116
Nut, Torque converter cover to housing	4.116
Nut, Trans. clutch gear bearing	4.357
Nut, Trans. lo or rev. band adj. screw	4.253
Nut, Trans. mainshaft	4.173
Nut, Trans. rev. shifter lever	4.302
Nut, Trans. turbine bolt	4.116
Nut, Vac. brake hyd. cyl. tube	4.907
Nut, Valve rocker arm adjusting	0.429
Nut, Water pump packing	1.128
Nut, Wheel carrier	7.633
Nut, Wheel carrier clamp bolt	7.788
Nut, Wheel lock	7.638
Nut, Windshield anchor	16.012
Nut, Windshield wiper	10.148, 10.151
Nut, Windshield wiper trans.	10.160
Nut, Wing	8.920

O

Octane selector	2.412
Oil distr. coupling feed pipe	1.795
Oil distributor body	1.785
Oil distributor cover	1.785
Oil distributor gasket	1.790
Oil distributor pipe nipple	1.531

Oil distributor valve assy.	1.787
Oil distributor valve cap & spring	1.788
Oil filler	1.745
Oil filler inspection cover	18.547
Oil filler tube baffle and clamp	1.750
Oil filler tube cap	1.516
Oil filler tube cap gasket	1.517
Oil filter	1.636
Oil fittings, Valve rocker arm shaft	1.928
Oil level rod and tube	1.516
Oil pan attaching bolt and washer	1.428
Oil pan drain flange	1.452
Oil pan drain screw	1.453
Oil pan drain screw gasket	1.456
Oil pan gasket unit	1.429
Oil pan pipe	1.427
Oil pan seal	1.429
Oil pan trough pipe attaching screw	1.427
Oil pan trough pipe spring	1.427
Oil pan with drain screw	1.426
Oil, Dripless penetrating	8.800
Oil pipe	1.519
Oil pipe fittings	1.531
Oil pressure gauge	1.803
Oil pressure pipe collar	1.531
Oil pressure reg. valve sprg & ret.	1.671
Oil pump assy.	1.652
Oil pump blade	1.705
Oil pump cover	1.723
Oil pump cover gasket	1.724
Oil pump relief valve	1.671
Oil pump retaining set screw	1.672
Oil pump screen	1.658
Oil pump screen cover gasket	1.664
Oil pump screen cover reinforcement	1.684
Oil pump screen cover spacer	1.664
Oil pump screen cover supt. Bolt & gasket	1.664
Oil pump suction pipe	1.739
Oil pump suction pipe grommet	1.591
Oil pump suction screen cover	1.662
Oil pump suction screen ret. spring	1.685
Oil pump thrust washer	1.686
Oil retainer, Frt. prop. shaft brg.	5.433
Oil seal, Axle shaft	5.822
Oil seal, Crankshaft rear bearing	0.137
Oil seal, King pin	8.224
Oil seal, Propeller shaft	5.469
Oil seal, Valve stem	0.306
Oil supply pump suction pipe	4.197
Oil thrower	0.756
Oiler	8.984
Ornament, Headlamp	2.724
Ornament, Hood	8.055
Ornament, Instrument panel end	10.252
Ornament, Radiator shell	8.055
Ornament, Tail and stop lamp	2.680
Outer panel finish rear quarter strip	13.352
Outlet, Water	1.153
Oval slotted head bolt	8.908
Overhaul unit, Clutch	0.899

P

Packing, Axle shaft	5.822
Packing, Carb. choke suction tube	3.750
Packing, Carb. plunger shaft	3.837
Packing, Door dovetail bumper	10.578
Packing, Exhaust pipe	3.611
Packing, Front wheel bearing	6.326
Packing, Pitman shaft	6.855
Packing, Propeller shaft	5.489
Packing, Supt. shaft outer brg.	6.401
Packing, Tie rod dust cover	6.117
Packing, Universal joint ball	5.580
Packing, Water pump	1.133
Packing, Wheel supt. shaft inner brg.	6.405
Pad assy., Frt. dr. lwr. trim	14.685
Pad assy., Rr. dr. lwr. trim	14.760
Pad, Automatic headlamp control bracket	2.463
Pad, Back-Up lamp	2.697
Pad, Brake pedal	4.630

Pad, Cowl side trim	14.830, 16.700
Pad, Door arm rest	16.155
Pad, Front door lower trim	14.685
Pad, Front fender step	8.148
Pad, Front seat cushion	14.890
Pad, License bracket	2.660
Pad, Rear bumper	7.865
Pad, Rear door lower trim	14.760
Pad, Rear license plate lamp	2.702
Pad, Rear seat cushion	15.036
Pad, Ring gear thrust	5.533
Pad, Tail lamp	2.660
Paint, Tipon kit	8.800
Pan, Crankcase oil	1.426
Pan, Deck compartment floor	12.981
Pan, Engine	8.112
Pan, Floor	12.980, 18.545
Pan, Rear compartment floor	12.981
Pan, Rear compartment end	12.986
Pan, Transmission oil	4.185
Panel assy., Driver seat back	16.680
Panel assy., Front door lock	10.355
Panel assy., Front door outer trim	10.352
Panel assy., Front seat side	11.362, 14.860
Panel assy., Rear body lock pillar outer	12.883
Panel assy., Rear comp. division	12.584
Panel assy., Rear door outer trim	10.374
Panel assy., Rear quarter side outer	12.940
Panel assy., Seat	16.679
Panel assy., Side trim	15.263
Panel assy., Turret top	12.810
Panel, Back body opening	12.968
Panel, Back window inner	12.964
Panel, Body back lower	12.966
Panel, Body front end	17.455
Panel, Body hinge pillar	16.578
Panel, Body lower back	16.587
Panel, Body lower rear	17.166
Panel, Body side	17.110
Panel, Body sill extension	8.307
Panel, Body upper	16.585
Panel, Cab back upper	16.585
Panel, Cab side	16.588
Panel, Center pillar trim	12.482
Panel, Cowl side	12.804, 16.551
Panel, Deck front	12.971
Panel, Deck rear	12.974
Panel, Door inside trim	16.165
Panel, Door lock	16.538
Panel, Door rocker	12.934
Panel, Floor board	18.545
Panel, Folding top compartment	12.989
Panel, Front door outer	12.895
Panel, Front door sill	16.603
Panel, Front fender step	8.148
Panel, Front seat back	11.358, 16.719
Panel, Front seat back outer	14.810
Panel, Hood	8.000, 8.001
Panel, Instrument	10.230, 16.080
Panel, Platform	17.422
Panel, Quarter outer trim	12.944
Panel, Radiator grille filter	1.287
Panel, Radiator shell	1.283
Panel, Radio grille cover	10.258
Panel, Rear body lock pillar	12.944
Panel, Rear body lock pillar trim	12.496
Panel, Rear body outer extension	12.944
Panel, Rear door outer	12.913
Panel, Rear fender replacement	12.940
Panel, Rear quarter corner	12.942
Panel, Rear quarter side inner	12.941
Panel, Rear quarter side outer	12.940
Panel, Rear quarter lower filler	12.944
Panel, Rear seat back comp. shell	12.958
Panel, Rear seat heel	12.962
Panel, Rear sill	17.022
Panel, Rear upper and lower lining	16.589, 16.592
Panel, Rear wheel cover	8.175
Panel, Roof outer	16.585
Panel, Seat back	16.680
Panel, Seat cushion	16.716
Panel, Top inner	12.810
Panel, Top lining	16.742
Panel, Turret top roof outer	12.810

Panel, Wheelhouse inner quarter	12.944
Panel, Windshield header	16.562
Parking brake adj. bolt support	5.610
Parking brake bell crank & nut	4.800
Parking brake cable assy.	4.826
Parking brake cross shaft assy.	4.788
Parking brake cross shaft spacer	4.801
Parking brake cross shaft support	4.803
Parking brake drum oil deflector	5.610
Parking brake drum, Prop. shaft	5.610
Parking brake fulcrum	4.606
Parking brake handle	4.592
Parking brake idler lever	4.792
Parking brake idler lever guide	4.791
Parking brake inner conn. link	5.610
Parking brake outer conn. link	5.610
Parking brake lever	4.591, 5.149
Parking brake lever anchor bolt	5.158
Parking brake lever anchor bolt washer	5.158
Parking brake lever extension	5.150
Parking brake lever grip screw	4.800
Parking brake lever grip screw nut	4.800
Parking brake lever hsg. dash flange	4.606
Parking brake lever link	4.606
Parking brake lever pawl	4.595
Parking brake lever seal retainer	4.615
Parking brake lever sector	4.603
Parking brake lever spacer	4.805
Parking brake oper. lever	5.610
Parking brake oper. lever shaft lock bolt	5.610
Parking brake oper. link unit	5.610
Parking brake outer shoe adj. bolt	5.610
Parking brake outer shoe spring	5.026
Parking brake pedal floor pan seal ret.	4.615
Parking brake pedal latch bar	4.603
Parking brake pedal lock bar bolt	4.585
Parking brake pedal lock & guide	4.603
Parking brake pedal shaft bracket	4.648
Parking brake pull back spring	4.827
Parking brake pull rod	4.826
Parking brake release rod	4.594
Parking brake release rod bracket	4.594
Parking brake release rod nut	4.594
Parking brake rel. rod grommet	9.775
Parking brake shoe	5.610
Parking brake shoe facing	5.610
Parking brake shoe friction spring	5.028
Parking brake shoe lever adj. nut	5.610
Parking brake shoe lever extension spring	5.151
Parking brake shoe lever lock	5.030
Parking brake shoe lever strut	5.150
Parking brake signal unit	4.689
Parking brake spring	4.597, 4.800
Parking lamp assy., Frt. fender	2.585
Parking lamp, Body and cover	2.586
Parking lamp door assy.	2.593
Parking lamp door screw and nut	2.594
Parking lamp hsg.	2.586
Parking lamp hsg. insert	2.586
Parking lamp hsg. mtg. brckt.	2.587
Parking lamp lens	2.589
Parking lamp lens gasket	2.590
Parking lamp nut	2.587
Partial engine block assy.	0.033
Partition window weatherstrip	16.469
Parts, Lower end gate	12.185
Pass. seat assy., Tilting	14.948
Pawl, Door outside lock hdlc.	10.591, 16.385
Pawl, Parking brake lever	4.595
Pawl, Rear comp. lid lock handle	12.254
Pawl, Trans. parking brake	4.294
Pawl, Trans. park. lock	4.220
Pedal, Accelerator	3.451
Pedal bracket, Accelerator	3.452
Pedal, Brake and clutch	0.830, 4.625
Pedal shaft lock bushing	0.834
Penetrating dripless oil	8.800
Perfect seal kit	8.800
Phototube, Automatic hdlp. control	2.483
Pillar belt moulding, Center	12.113
Pillar, Body lock	12.491, 16.520
Pillar, Body rear	17.180
Pillar, Center body	12.491

Pillar, Front body hinge	12.840, 16.507
Pin, Accel. and Carb. control lever	3.585
Pin, Accelerator rod pedal bracket	3.457
Pin, Accelerator spring	3.459
Pin, Ash receiver mounting pivot	12.018
Pin, Brake clevis	4.823
Pin, Brake lever hole cover spring	5.188
Pin, Brake pull back spring	5.026
Pin, Brake shoe anchor	5.055
Pin, Brake shoe link	5.034
Pin, Brush holder hinge	2.054
Pin, Carb. choke piston	3.752
Pin, Carburetor float lever	3.747
Pin, Clevis	8.942
Pin, Clutch pedal pull back spring	0.846
Pin, Clutch pressure lever	0.875
Pin, Commutator end hinge and stop	2.054
Pin, Cotter	8.938
Pin, Distributor gear attaching	2.378
Pin, Door check link	16.437
Pin, Door hinge	10.468, 16.323
Pin, Door outside lock handle	10.551, 16.385
Pin, Door wind. glass fldg. run chnl.	10.699
Pin, Double reduction shifter	5.491
Pin, Double reduction shifter yoke	5.490
Pin, Driver seat	16.686
Pin, End gate hinge	17.208
Pin, Friction spring	5.030
Pin, Front stabilizer link	7.238
Pin, Gate hinge	17.524
Pin, Gearshift interlock	4.095
Pin, Gearshift vac. cyl. piston valve	4.079
Pin, Generator	2.302
Pin, Groove	8.940
Pin, Hood hinge	8.016
Pin, King	6.203
Pin, King pin lock	6.218
Pin, Motor and lift, folding top	14.482
Pin, Pedal shaft lock	0.834
Pin, Piston	0.636
Pin, Propeller shaft coupling	5.457
Pin, Quarter window regulator knob	11.045
Pin, Rear compartment lid catch	12.233
Pin, Rear compartment lid hinge	12.188
Pin, Rear spring shackles	7.529
Pin, Reversing switch lever	2.118
Pin, Shock absorber link	7.356
Pin, Side door vent locking handle	16.176
Pin, Speedometer adaptor	4.330
Pin, Spring shackles, Front	7.427
Pin, Straight	8.939
Pin, Strg. col. gearshift lever pivot	4.025
Pin, Strg. col. operating lever	4.043
Pin, Strg. gear hyd. pump ring dowel	6.608
Pin, Strg. gear rack coupling	8.587
Pin, Strg. knuckles apt. and upper arm pivot	6.164
Pin, Synchronizer energizing spring	4.413
Pin, Trans. clutch	4.164
Pin, Trans. control valve	4.282
Pin, Trans. governor drive flange	4.259
Pin, Trans. interlock	4.085
Pin, Trans. modulator control lever guide	4.208
Pin, Trans. modulator control lever fulcrum	4.208
Pin, Trans. reverse band link	4.246
Pin, Trans. reverse idler shaft	4.435
Pin, Trans. reverse shifter	4.307
Pin, Trans. servo band actuating lever	4.237
Pin unit, Brake shoe hold down	5.043
Pin, Vac. brake cyl. push rod	4.926
Pin, Wheel carrier clamp	7.632
Pinion and ring gear	5.529
Pinion bearing and oil seal retainer	5.476
Pinion, Double reduction	5.461
Pinion flange parking retainer	5.468
Pinion gear, Differential	5.526
Pinion shaft brg. cage	5.453
Pinion shaft brg. cage gasket	5.458
Pinion shaft brg. cage shim	5.458
Pinion shaft brg. lock nut	5.446
Pinion shaft brg. lock screw	5.452

Pinion shaft brg. lock sleeve.....	5.453	Plate Assy., Hood lower catch.....	8.080	Plate, Trans. clutch exhaust cover...	4.265
Pinion shaft brg. seal.....	5.468, 5.469	Plate Assy., Trans. supt. guide.....	4.083	Plate, Trans. counter gear thrust.....	4.423
Pinion shaft brg. shim and washer...	5.460	Plate, Attaching, Driver seat.....	16.886	Plate, Trans. cover.....	4.105
Pinion shaft brg. spacer.....	5.458	Plate, Axle gear shift selector.....	5.536	Plate, Trans. low & drive body end...	4.265
Pinion shaft, Differential.....	5.517	Plate, Battery hanger bottom.....	2.333	Plate, Trans. main drive gear	
Pinion shaft, Double reduction.....	5.481	Plate, Body sill extension.....	8.307	brg. lock.....	4.356
Pinion shaft front bearing.....	5.447	Plate bolt, Flange.....	5.002	Plate, Trunk guard brace mkt.....	7.830
Pinion shaft front cone.....	5.484	Plate, Brake lever seal.....	4.615	Plate, Trunnion bearing lock.....	5.569
Pinion shaft front cup.....	5.447	Plate, Brake shoe anchor.....	5.075	Plate, Vac. brake cylinder end.....	4.904
Pinion shaft lock screw.....	5.518	Plate, Brake shoe guide.....	5.045	Plate, Vac. brake cylinder.....	4.947
Pinion shaft rear bearing.....	5.484	Plate, Bumper guard back.....	7.829	Plate, Water pump back.....	1.113
Pinion shaft rear cone.....	5.484	Plate, Carb. therm. baffle.....	3.750	Plate, Wheel carrier.....	7.751, 7.783
Pinion shaft rear brg. lock ring.....	5.489	Plate, Carb. therm. hsg. cover.....	3.750	Plate, Wheel carrier centering.....	7.783
Pinion, Starting motor bendix drive...	2.088	Plate, Center and rear seat attach....	16.686	Plate, W/S wiper inspection hole....	16.563
Pinion, Wheel cylinder adjusting.....	4.678	Plate, Clock hole cover.....	10.272	Platform cross sill.....	17.405
Pipe, Air cleaner.....	3.407	Plate, Clutch pedal adj.....	0.839	Platform panel.....	17.422
Pipe Assy., Flexible gas and oil.....	3.163	Plate, Clutch pressure.....	0.863	Plug, Axle filler.....	5.400
Pipe Assy., Muffler exhaust.....	3.609	Plate, Clutch pressure lever.....	0.880	Plug, Battery filler.....	2.345
Pipe clip.....	8.950	Plate, Clutch throwout bearing.....	0.800	Plug, Camshaft bearing hole.....	0.553
Pipe, Crankcase ventilator to valve...	1.745	Plate, Countergear rear brg. ret. lock.	4.422	Plug, Carburetor discharge ball check	3.832
Pipe, Distr. vac. control suction.....	2.420	Plate, Cowl ventilator adjusting.....	18.135	Plug, Carburetor nozzle passage.....	3.775
Pipe, Filler neck lwr. vent.....	3.003	Plate, Distributor breaker.....	2.385	Plug, Carburetor pump jet.....	3.803
Pipe fitting.....	8.983	Plate, Distributor weight & cam.....	2.390	Plug, Carburetor strainer screen ret...	3.841
Pipe, Fuel pump to carburetor.....	3.158	Plate, Dome lamp switch.....	11.938, 18.498	Plug, Commutator end oil hole.....	2.301
Pipe, Gas tank to fuel pump.....	3.158	Plate, Door dovetail bumper		Plug, Expansion.....	0.033, 8.970
Pipe, Gearshift vacuum booster.....	4.046	wedge.....	10.584, 16.420	Plug, Fldg. top pump valve.....	14.482
Pipe, Generator oil.....	2.301	Plate, Door hinge cover.....	10.489	Plug, Front spring bumper.....	6.178
Pipe, Hydraulic brake.....	4.685	Plate, Door lock inside handle brg....	10.515	Plug, Gas filler neck fender hole.....	8.208
Pipe, Muffler tail.....	3.705	Plate, Door lock striker adj. & anchor.	10.571	Plug, Gearshift control shaft housing...	4.022
Pipe, Oil.....	1.519	Plate, Door sill.....	11.175, 11.179	Plug, Grease cup hole distributor....	2.364
Pipe, Oil pan.....	1.427	Plate, End gate.....	12.237	Plug, Hyd. brake main cylinder.....	4.651
Pipe, Oil pump suction.....	1.738	Plate, Engine front mounting.....	0.004	Plug, Instrument panel.....	16.083
Pipe, Oil supply pump suction.....	4.197	Plate, Engine front mounting top.....	0.027	Plug, Knuckle expansion.....	5.223
Pipe plug.....	8.971	Plate, Fldg. top guide.....	14.090	Plug, Oil pan drain.....	1.453
Pipe, Radiator outlet.....	1.173	Plate, Floor and toe pan.....	12.565	Plug, Oil pressure pipe.....	1.531
Pipe, Rear axle vac. gearshift.....	5.638	Plate, Folding top compartment.....	12.989	Plug, Pipe.....	8.971
Pipe, Steering gear.....	6.677	Plate, Front door glass stop.....	10.715	Plug, Spark.....	2.270
Pipe, Trans. oil.....	4.248	Plate, Front door hinge cover.....	10.469	Plug, Speedometer driven gear.....	4.333
Pipe, Trans. oil pump inlet.....	4.222	Plate, Front door sill.....	11.175	Plug, Steering connecting rod.....	6.881
Pipe, Trans. vacuum modulator.....	4.205	Plate, Fri. dr. upr. hinge on body....	10.450	Plug, Steering gear housing.....	6.806
Pipe, Vacuum brake cylinder.....	4.930	Plate, Front door ventilator.....	10.658	Plug, Strg. idler and 3rd arm shaft...	6.181
Pipe, Windshield wiper suction.....	18.066	Plate, Front fender name.....	8.147	Plug, Tie rod end.....	6.255
Piston, Apply spring seat.....	4.228	Plate, Front fender support.....	8.142	Plug, Trans. fri. servo overrun.....	4.227
Piston Assy.....	0.629	Plate, Front seat hinge arm cover....	11.375	Plug, Trans. oil pan.....	4.195
Piston Assy., Strg. gear hyd. cyl.....	8.578	Plate, Front stabilizer link bushing ..	7.245	Plug, Trans. primary pump hsg. drain	4.115
Piston Assy., Trans. fri. servo.....	4.238	Plate, Gas tank filler neck		Plug, Trans. rear brg. retainer supt...	4.317
Piston, Carb. choke.....	3.752	comp. adapter.....	12.944	Plug, Trans. thermostat valve spring.	4.216
Piston, Carburetor pump.....	3.838	Plate, Gearshift interlock guide.....	4.095	Plug, Trans. reverse idler shaft.....	4.435
Piston, Carburetor step-up.....	3.858	Plate, Generator brush.....	2.287	Plug, Trans. valve pressure regulator.	4.216
Piston, Hydraulic modulator.....	4.208	Plate, Generator drive end.....	2.307	Plug, "U" joint sleeve yoke.....	5.556
Piston pin.....	0.638	Plate, Hidden binding end.....	15.534	Plug, Vac. brake hyd. cyl. end.....	4.910
Piston pin bushing.....	0.633	Plate, Hood lower catch.....	8.080	Plug, Valve rocker arm shaft.....	0.356
Piston ring.....	0.643	Plate, Hood side name.....	8.038	Plug, Water jacket.....	1.146
Piston, Trans. clutch.....	4.166	Plate, Hood top panel mkt. tie.....	8.008	Plunger Assy., Dome lamp.....	11.846, 16.495
Piston, Trans. low or reverse		Plate, Hood upper catch.....	8.083	Plunger, Carburetor.....	3.838
servo.....	4.228, 4.241	Plate, Horn wire terminal.....	2.818	Plunger, Starting motor drive shift...	2.113
Piston, Trans. parking brake.....	4.230	Plate, Ignition coil mounting.....	2.183	Plunger, Strg. gear valve centering...	6.551
Piston, Trans. rear servo.....	4.241	Plate, Ignition switch mounting.....	2.192	Plunger, Trans. rear servo accum....	4.250
Piston, Trans. rear servo		Plate, Instrument case.....	9.744, 9.748	Plunger, Wheel lock.....	7.680
compensating.....	4.244	Plate, Instrument panel name.....	10.252	Pocket, Gas tank filler neck comp....	12.844
Piston, Vac. brake cylinder.....	4.922	Plate, Lighting switch fuse.....	2.489	Pocket, Stake.....	17.462
Piston, Vac. brake cyl. relay valve...	4.935	Plate, Main cylinder piston stop.....	4.856	Point unit, Distributor.....	2.384
Piston, Vac. brake hyd. cyl.....	4.915	Plate, Name.....	12.182	Polish, Body.....	8.800
Pitman arm.....	6.859	Plate, Radiator core.....	1.270	Polishing cloth.....	8.800
Pitman arm bushing.....	6.862	Plate, Radiator grille.....	1.288	Portable spotlight, Sealed beam....	9.773
Pitman arm bushing retainer.....	6.865	Plate, Radiator name.....	1.303	Post, Rear quarter corner.....	12.944
Pitman arm nut and lockwasher.....	6.861	Plate, Radio control cover.....	10.256, 16.081	Potentiometer, Auto. hdlp. control...	2.461
Pitman arm nut, Strg. gear.....	6.681	Plate, Rear comp. lid.....	12.182	Powder, Static eliminator.....	8.800
Pitman arm shaft bushing.....	6.786	Plate, Rear comp. lid lock.....	12.237	Power valve check unit.....	3.784
Pitman arm stop bolt.....	6.863	Plate, Rear door sill.....	11.179	Preventive, Radiator rust.....	8.800
Pitman shaft adjusting screw nut....	6.823	Plate, Rear door qtr. window hinge adj.	11.054	Prop. shaft.....	5.438, 5.441
Pitman shaft housing with bushing...	6.785	Plate, Rear door qtr. window reg. cover	11.042	Prop. shaft & hsg. Assy., Fri.....	5.435
Pitman shaft housing adj. bolt.....	6.788	Plate, Rear spring.....	5.403	Prop. shaft bearing.....	5.436
Pitman shaft housing pivot bolt.....	5.791	Plate, Rear shock absorber anchor...	7.370	Prop. shaft bearing cushion.....	5.439
Pitman shaft hsg. adj. sleeve.....	6.789	Plate, Rear spring clip and "U" bolt...	7.518	Prop. shaft bearing lock ring.....	5.437
Pitman shaft lash adjuster and screw	6.822	Plate, Rear spring "U" bolt anchor...	5.403	Prop. shaft bearing support kit.....	5.436
Pitman shaft needle brg.....	6.786	Plate, Side dr. vent locking		Prop. shaft bearing washer.....	5.439
Pitman shaft packing retainer.....	6.856	hdie, striker.....	18.176	Prop. shaft brake parts, Dual-Shoe...	5.610
Pitman shaft parts.....	6.855	Plate, Strg. gear hyd. pump.....	6.612	Prop. shaft brake parts, Tru-Stop....	5.606
Pivot, Brake shoe.....	5.020	Plate, Strg. gear mounting.....	8.797	Prop. shaft brg. dust seal Assy.....	5.438
Pivot, Front door ventilator.....	10.869	Plate, Strg. gear stop rack.....	6.585	Prop. shaft brg. dust shield.....	5.438
Plain Washer.....	8.929	Plate, Sub-frame.....	7.008	Prop. shaft brg. dust spacer.....	5.438
Planet reverse drum.....	4.730	Plate, Toe board.....	12.565, 16.546	Prop. shaft brg. ret. and ins.....	5.439
Plastigage.....	0.093	Plate, Transmission.....	4.384	Prop. shaft coupling.....	5.454
Plate, Ash tray mounting.....	12.016	Plate, Trans. center bearing.....	4.131	Prop. shaft coupling pin and rivet...	5.457
Plate Assy., Brake flange.....	5.001	Plate, Trans. clutch.....	4.183		



Prop. shaft coupling spring	5.457
Prop. shaft flange oil seal	5.555
Prop. shaft front bearing hanger	5.432
Prop. shaft front bearing support	5.432
Prop. shaft front brg. supt. bolt	5.432
Prop. shaft front flange spacer	5.608
Prop. shaft housing	5.504
Prop. shaft housing bushing & dowel	5.450, 5.451
Prop. shaft oil seal	5.469
Prop. shaft packing	5.489
Prop. shaft park. brake shoe friction spring	5.028
Prop. shaft park brake shoe lever	5.810
Propeller shaft pinion flange	5.545
Prop. shaft pinion flange nut	5.585
Prop. shaft ret. spring	5.437
Protector, spark plug	2.258
Pulley and fan, Generator	2.274
Pulley, Brake cable	4.833
Pulley, Crankshaft	0.659
Pulley, Fan and water pump	1.062
Pulley, Strg. gear hyd. pump	6.655
Pump assembly, Oil	1.652
Pump assembly, Water	1.069
Pump assy., Folding top	14.481
Pump assy., Fuel	3.900
Pump assy., Strg. gear hyd.	6.605
Pump assy., Trans. torque converter	4.110
Pump, Torque conv. prim.	4.113
Pump, Trans. frt. servo	4.228
Pump, Trans. oil supply	4.200
Pump, Trans. primary	4.115
Pump, Windshield washer	8.788
Push rod, Clutch pedal	0.832

Q

Quarter belt finishing moulding	11.119
Quarter belt moulding bolt & washer	12.118
Quarter belt moulding escutcheon	12.117
Quarter belt moulding, Rear	12.116
Quarter belt moulding retainer	12.116
Quarter belt moulding ret. spacer	12.118
Quarter belt rear rail, Outer	12.428
Quarter lower trim assy	15.100
Quarter trim mldg. and ret., Rear	15.101
Quarter trim upper, Rear	15.100
Quarter wind. belt finishing mldg. ret.	11.118
Quarter wind. belt finishing mldg. supt.	11.118
Quarter wind. division channel	11.008
Quarter window garnish moulding	11.119
Quarter wind. garn. mldg. w/strip	11.118
Quarter wind. glass	11.011
Quarter wind. glass bumper	11.013
Quarter wind. glass channel ret.	11.024
Quarter wind. glass rubber chnl.	11.015
Quarter wind. glass run channel	11.021
Quarter wind. glass stop	11.012
Quarter wind. glass weatherstrip	11.015
Quarter wind. guide, Rear	11.040
Quarter wind. gutter	11.009
Quarter wind. hinge	11.052
Quarter wind. hinge adj. plate	11.054
Quarter wind. hinge pivot bolt	11.057
Quarter wind. hinge pivot bushing	11.053
Quarter wind. hinge pivot scr. & stud	11.057
Quarter wind. knob and latch	11.010
Quarter wind. lower sash channel weatherstrip	11.027
Quarter wind. reg.	11.041
Quarter wind. reg. cam	11.046
Quarter wind. reg. cover plate	11.042
Quarter wind. reg. handle	11.044
Quarter wind. reg. handle escn.	11.047
Quarter wind. reg. knob pin	11.045
Quarter wind. reveal mldg. & parts	11.091
Quarter wind. sash channel	11.005, 11.007

R

Race and roller, Axle shaft	5.855
Race, Differential side bearing	5.538
Race, outer and inner double reduction pinion	5.462

Race, Steering worm thrust bearing	8.527
Race, Torque converter stator	4.119
Rack assy., Rear end stake	17.560
Rack assy., Stake	17.485
Rack, Steering gear	6.586
Radiator anti-freeze	1.175
Radiator anti-squeak	1.278
Radiator attaching parts	1.269
Radiator brace rod	1.309
Radiator core	1.219
Radiator core lock and spacer plate	1.270
Radiator drain cock	1.229
Radiator emblem	1.303
Radiator fan shroud and bracket	1.277
Radiator filler cap	1.203
Radiator filler cap gasket	1.206
Radiator filler neck	1.210
Radiator flush	8.800
Radiator grille	1.266
Radiator grille air deflector	1.266
Radiator grille baffle	1.286
Radiator grille filler panel & infct.	1.287
Radiator grille filler panel moulding	1.289
Radiator grille moulding	1.268
Radiator grille plate	1.266
Radiator grille reinforcement	1.266
Radiator grille spacer	1.288
Radiator hose inlet	1.159
Radiator hose clamp	1.186
Radiator moulding retainer	1.269
Radiator mounting bolt	1.270
Radiator name plate	1.303
Radiator name plate nut and bolt	1.307
Radiator outlet pipe	1.173
Radiator overflow condenser unit	1.240
Radiator overflow hose	1.240
Radiator overflow tank hose	1.240
Radiator panel	1.263
Radiator rust preventive	8.800
Radiator screen	1.268
Radiator shell	1.263
Radiator shell baffle	1.285
Radiator shell bracket catch	8.028
Radiator shell moulding and infct.	1.268
Radiator shell ornament	8.055
Radiator stop leak	8.800
Radiator support bracket cushion	1.270
Radiator thermostat	1.246
Radiator washer	1.273
Radio	8.650
Radio antenna unit	9.845
Radio control cover plate	10.256, 16.081
Radio grille	10.258, 16.083
Radio grille cover panel	10.256
Radio grille retainer	10.256
Radio screen	10.256
Radius rod and bracket, Front brake	5.011
Radius rod bracket bolt	5.012
Radius rod bracket bolt lock	5.013
Rail, Bracket wheel carrier	7.751
Rail, Center seat grab	11.812
Rail, Folding top front roof	14.050
Rail, Folding top side roof	14.100, 14.170
Rail, Front roof	16.510
Rail, Platform side rub	17.442
Rail, Rear quarter belt outer	12.428
Rail, Side roof	12.958, 12.957
Rail, Wheel carrier	7.751
Rail, Windshield	16.558
Rail, Windshield side	12.808
Rail with pocket, Platform rear rub	17.445
Rear axle filler plug gasket	5.401
Rear axle gearshift lever attach. bolt	5.821
Rear axle gearshift linkage	5.823
Rear axle gearshift linkage connector	5.823
Rear axle gearshift rod idler lever bracket	5.829
Rear axle gearshift rod idler lever plate	5.827
Rear axle gearshift power unit mounting parts	5.837
Rear axle gearshift vac. hose attaching parts	5.839
Rear axle housing	5.387
Rear axle housing cover	6.398
Rear axle housing cover gasket	5.399

Rear axle housing oil deflector	5.392
Rear axle shifting mechanism	5.819
Rear axle shift lever bracket	5.821
Rear axle shift rod idler lever	5.829
Rear axle vac. gearshift pipe & parts	5.638
Rear axle ventilator	5.387
Rear body lock pillar panel	14.810
Rear body lock pillar trim retainer	14.740
Rear body outer extension panel	12.944
Rear body sill assy., Lower	12.415
Rear comp. division board	12.584
Rear comp. division board trim assy.	15.103
Rear comp. division panel assy.	12.584
Rear comp. end pan	12.986
Rear comp. floor pan	12.981
Rear comp. floor pan extension	12.981
Rear comp. gutter brace	12.986
Rear comp. gutter reinforcement	12.986
Rear comp. lid assembly	12.181
Rear comp. lid bumper	12.212
Rear comp. lid emblem	12.182
Rear comp. lid emblem retainer	12.183
Rear comp. lid emblem seal	12.183
Rear comp. lid emblem washer	12.183
Rear comp. lid gutter	12.986
Rear comp. lid hinge arm & strap	12.187
Rear comp. lid hinge assy.	12.184
Rear comp. lid hinge box	12.184
Rear comp. lid hinge filler	12.185
Rear comp. lid hinge pin	12.186
Rear comp. lid lock cover	12.241
Rear comp. lid lock cyl.	12.247, 12.248
Rear comp. lid lock cyl. gasket	12.247
Rear comp. lid lock cyl. retainer	12.249
Rear comp. lid lock end support	12.241
Rear comp. lid lock handle	12.246
Rear comp. lid lock handle assy.	12.247
Rear comp. lid lock handle pawl	12.254
Rear comp. lid lock handle shaft	12.252
Rear comp. lid lock handle sleeve	12.254
Rear comp. lid lock plate & striker	12.237
Rear comp. lid moulding	12.181
Rear comp. lid pin	12.233
Rear comp. lid support	12.203, 17.202
Rear comp. lid support bolt	12.204
Rear comp. lid weatherstrip retainer	12.271
Rear comp. pan weatherstrip	12.987
Rear comp. side lining	15.222
Rear comp. w/strip	12.269
Rear corner lamp lens	11.928
Rear corner lamp reflector and rim	11.928
Rear corner window glass	16.464
Rear door	10.373
Rear door lock	10.473
Rear dr. lock outer support	16.330
Rear dr. lock to cont. lever rod	10.563
Rear dr. locking rod lever washer	10.585
Rear door lower trim pad assy.	14.760
Rear door panel	12.813
Rear door shield extension	12.114
Rear door trim finish moulding	14.764
Rear door window garnish moulding	11.089
Rear end belt moulding and retainer	12.121
Rear end stake latch	17.522
Rear fender	8.203
Rear fender flap	8.214
Rear fender mldg. bolt	12.118
Rear fender replacement panel	12.840
Rear floor mat	15.292, 15.308
Rear guard cross bar	7.828
Rear license lamp door	2.706
Rear license lamp unit	2.700
Rear license plate bracket	2.670
Rear license plate lamp brckt.	2.705
Rear quarter arm rest support	12.584
Rear quarter ash tray	12.045
Rear quarter corner posts	12.844
Rear quarter lower filler panel	12.944
Rear qtr. side panel	12.940, 12.941, 12.942
Rear quarter trim assy.	15.100
Rear quarter trim moulding	15.101
Rear quarter ventilator drain tube	10.997
Rear quarter window guide	11.040
Rear seat attaching screw	11.608

Rear seat back comp. panel brace... 12.768  
Rear seat back comp. shelf panel... 12.958  
Rear seat back comp. shelf trim assy... 15.024  
Rear seat cushion cover trim assy... 15.035  
Rear seat cushion pad... 15.036  
Rear seat detachable back trim... 15.000  
Rear seat heel panel... 12.962  
Rear seat trim assy... 15.000  
Rear sill panel... 17.022  
Rear spring assy... 7.503  
Rear spring bracket... 7.535  
Rear spring leaf... 7.505  
Rear spring seat... 5.403  
Rear spring seat bolt... 5.404  
Rear spring seat seal... 5.404  
Rear spring "U" bolt nut... 5.913, 7.516  
Rear upper inner lining panel... 16.589  
Rear view mirror arm... 10.185, 16.068  
Rear view mirror bracket... 10.187, 16.069  
Rear view mirror nut... 10.186  
Rear wheel... 5.803  
Rear wheel hub... 5.806  
Rear wheel hub adj. nut... 5.829  
Receiver unit, Ash... 12.009  
Receptacle, Ash... 12.030  
Reel, End gate support cable... 17.222  
Reflector, Dome lamp... 11.927  
Reflector, Headlamp... 2.734  
Reflector, Rear corner lamp... 11.927  
Reflector, Reflex... 2.689  
Reflex, Tail and stop lamp... 2.689  
Regulator, Back window... 11.224  
Regulator, Door wind... 10.783, 10.791, 16.280  
Regulator, Front door ventilator... 10.861  
Regulator, Frt. dr. window electric... 10.783  
Regulator handle, Back window... 11.224  
Regulator handle, Windshield... 16.050  
Regulator, Quarter window... 11.041  
Regulator, Rear door ventilator... 10.924  
Regulator, Rear quarter ventilator... 10.988  
Regulator, Voltage... 2.500  
Regulator, Windshield... 16.045  
Reinforcement, Assist handle... 16.450  
Reinforcement, Cowl panel... 12.905  
Reinforcement, Dash to frame... 12.650  
Reinforcement, Deck frt. panel... 12.971  
Reinforcement, Driver seat bracket... 16.686  
Reinforcement, End gate hinge... 17.208  
Reinforcement, Front stabilizer shaft... 7.242  
Reinforcement, Gasoline tank... 3.015  
Reinforcement, Hood panel... 8.015  
Reinforcement, Horn button key... 2.830  
Reinforcement, Oil pump screen cover... 1.664  
Reinforcement, Parking brake bell crank... 4.800  
Reinforcement, Radiator grille... 1.268, 1.287  
Reinforcement, Rad. grille filler panel... 1.287  
Reinforcement, Radiator shell... 1.268  
Reinforcement, Rear comp. gutter... 12.896  
Reinforcement, Side member... 7.005  
Reinforcement, Steering gear mtg. support... 7.233  
Reinforcement, Tail lamp brkt. supt... 2.670  
Reinforcement, Toe pan... 16.545  
Reinforcement, Windshield opening... 10.052  
Reinforcement, W/shield garn. mldg... 16.013  
Reinforcement, Windshield division... 16.017  
Relay assy., Auto. headlamp power... 2.459  
Relay, Automatic headlamp control... 2.461  
Relay, Matched horn... 2.815  
Release rod bracket and nut... 4.603  
Remote control, Door lock... 10.500, 16.341  
Remover, Tar... 6.800  
Repair kit, Carburetor... 3.725  
Repair kit, Distributor... 2.360  
Repair kit, Strg. col. vac. shift... 4.045  
Repair kit, Strg. idler and third arm shaft... 6.181  
Repair kit, Universal joint... 5.548  
Repair kit, Water pump... 1.071  
Replacement unit, Oil pump... 1.652  
Reservoir, Folding top hydraulic motor and pump... 14.486  
Reservoir kit, Steering gear hyd... 6.635  
Resistance, Generator... 2.314  
Rest, Door arm... 14.696, 16.155

Rest finish cover, Rear quarter arm... 15.111  
Rest, Rear door arm... 14.762  
Rest, Rear quarter arm... 15.109  
Retainer, Accelerator pedal... 3.452  
Retainer, Arm rest trim... 14.690  
Retainer, Ash receiver... 12.016  
Retainer, Assist strap to body... 15.392  
Retainer, Auto. choke valve therm. hsg... 3.750  
Retainer, Axle shaft bearing... 5.818  
Retainer, Back wind. glass run chnl... 11.223  
Retainer, Back wind. glass w/strip... 16.471  
Retainer, Battery... 2.333  
Retainer, Body lock pillar trim... 14.740  
Retainer, Carb. pump plunger spring... 3.841  
Retainer, Carb. therm. hsg. cover... 3.750  
Retainer, Carburetor choke... 3.755  
Retainer, Ck/case lrt. end cover seal... 0.214  
Retainer, Ck/shaft clutch pilot brg... 0.650  
Retainer, Clutch & brake pedal shaft... 0.837  
Retainer, Countergear rear bearing... 4.422  
Retainer, Cowl belt moulding... 12.110  
Retainer, Door check link... 10.621, 16.437  
Retainer, Door glass run channel... 10.703  
Retainer, Door handle push button spring... 10.529  
Retainer, Door lock inside handle... 10.513  
Retainer, Door outside lock handle... 10.551  
Retainer, Door opg. w/strip... 10.694, 16.230  
Retainer, Door safety lock... 10.551  
Retainer, End gate cable... 17.222  
Retainer, Engine cover... 16.549  
Retainer, Engine mounting... 0.027  
Retainer, Fender crown mldg... 12.116, 12.118  
Retainer, Floor board... 16.545  
Retainer, Fldg. seat back... 11.380  
Retainer, Fldg. top frt. roof rail w/strip... 14.060  
Retainer, Folding top side roof rail... 14.120, 14.190, 14.260  
Retainer, Folding top cover... 19.352  
Retainer, Frt. door glass run channel... 10.703  
Retainer, Front fender mldg... 8.133  
Retainer, Front stabilizer bushing... 7.245  
Retainer, Front spring bumper... 7.421  
Retainer, Front body pillar trim... 12.830, 14.668  
Retainer, Front door vent. reg. hdl... 10.864  
Retainer, Front prop. shaft bearing... 5.433  
Retainer, Fuel & vac. pump oil seal... 3.830  
Retainer, Fuel pump valve... 3.916  
Retainer, Gearshift lever ball... 4.027  
Retainer, Gen. drive end washer... 2.307  
Retainer, Grammet... 9.775  
Retainer, Hand brake lever seal... 4.615  
Retainer, Headlining... 17.102  
Retainer, Headlining trim... 14.651  
Retainer, Hold down bolt rear bumper... 9.011  
Retainer, Hood catch lock plate... 8.085  
Retainer, Horn button contact cap... 2.819  
Retainer, Horn button... 2.820  
Retainer, Horn blowing ring... 2.821  
Retainer, Instr. face glass... 9.747  
Retainer, Instr. panel comp. door knob... 10.267  
Retainer, Instr. panel comp. dr. lock... 16.110  
Retainer, Instr. panel mldg... 10.252  
Retainer, King pin thrust bearing... 8.214  
Retainer, King pin oil seal... 6.225  
Retainer, Oil press. reg. valve spring... 1.871  
Retainer, Park brake pedal floor pan seal... 4.615  
Retainer, Piston flange packing... 5.468  
Retainer, Pinion brg. & oil seal... 5.476  
Retainer, Pitman shaft packing... 6.858  
Retainer, Pitman arm bahg... 6.865  
Retainer, Propeller shaft bearing... 5.439  
Retainer, Qtr. window belt finishing mldg... 11.119  
Retainer, Qtr. window belt moulding... 12.116  
Retainer, Qtr. window glass channel... 11.024  
Retainer, Qtr. window reg. handle... 11.044  
Retainer, Qtr. window reveal mldg... 11.031  
Retainer, Radiator moulding... 1.289, 1.273  
Retainer, Radio grille... 10.256

Retainer, Rear body lock pillar trim... 14.740  
Retainer, Rear comp. hd emblem... 12.183  
Retainer, Rear comp. hd lock cyl... 12.249  
Retainer, Rear comp. hd w/strip... 12.271  
Retainer, Rear corner window... 16.489  
Retainer, Rear door wind. glass run lower... 10.759  
Retainer, Rear end belt mldg... 12.121  
Retainer, Rear fender... 6.214  
Retainer, Rear license mldg... 2.764  
Retainer, Rear wheel cover panel... 6.178  
Retainer, Shifting shaft... 4.311  
Retainer, Shock abs. grammet... 7.389  
Retainer, Side roof rail w/strip... 10.703, 14.120, 14.190, 14.260  
Retainer, Side roof rail trim... 14.651  
Retainer, Spring... 8.934  
Retainer, Stake gate hinge pin... 17.524  
Retainer, Starter pedal... 2.014  
Retainer, Stator cam roller & sprg... 4.117  
Retainer, Strg. worm thrust brg... 6.527  
Retainer, Strg. shaft upr. brg... 6.526  
Retainer, Tail lamp lens... 2.691  
Retainer, Top lining panel... 16.745  
Retainer, Trans. by-pass valve thermo valve... 4.218  
Retainer, Trans. fluid cplg. check valve... 4.121  
Retainer, Trans. gearshift oper. shaft... 4.107  
Retainer, Trans. line exhaust... 4.106  
Retainer, Trans. low servo piston rod... 4.228  
Retainer, Trans. main drive gear... 4.356  
Retainer, Trans. mainshaft pilot brg. roller... 4.352  
Retainer, Trans. rear bearing... 4.317  
Retainer, Trans. rear servo... 4.247  
Retainer, Trans. rev. clutch... 4.189  
Retainer, Trans. rev. cyl. piston release spring... 4.189  
Retainer, Trans. rev. servo piston apply spg... 4.241  
Retainer, Trans. sec. pump roller... 4.112  
Retainer, Trans. second speed gear... 4.387  
Retainer, Trans. shift... 4.234  
Retainer, Trans. stator roller & spring... 4.117  
Retainer, Trans. synchro ring... 4.381  
Retainer, Transmission support... 4.083  
Retainer, "U" joint trunnion gasket... 5.560  
Retainer, Universal joint ball... 5.576  
Retainer, Vac. brake hyd. cyl. piston spring... 4.917  
Retainer, Valve tappet spring... 0.508  
Retainer, Wheel cover panel... 8.176  
Retainer, Window reg. hdl. esca... 10.806  
Retainer, W/S lower reveal moulding... 10.096  
Retainer, W/S pillar trim upper... 14.668  
Retainer, W/S reg. handle spring... 10.122  
Retainer, W/S wiper link... 10.159, 16.065  
Retainer, W/S wiper trans... 10.160  
Reveal mldg., Frt. door window... 10.707  
Reveal mldg., Quarter window... 11.031  
Reveal mldg., Rear door window... 10.772  
Reveal mldg., Side window... 17.136  
Reverse center gear... 4.190  
Reverse gear unit... 4.193  
Reverse shifter head... 4.303  
Reverse shifter lever... 4.306  
Reversing switch wiring harness... 2.122  
Rim assy., Signal lamp... 2.898  
Rim clamp ring... 5.839  
Rim, Dome lamp... 11.928  
Rim, Headlamp... 2.728  
Rim, Rear corner lamp... 11.944  
Rim, Tail lamp... 2.681  
Ring and pinion gear assy... 5.529  
Ring assy., Direction signal switch... 2.695  
Ring, Clutch & brake pedal shaft lock... 0.837  
Ring, Clutch hub retaining... 4.384  
Ring, Clutch spring pivot... 0.866  
Ring, Door handle push button... 10.529  
Ring, Door handle push button and lock cylinder... 10.552  
Ring, End gate handle... 12.250  
Ring, Front hub clamp... 6.908

Ring gear and pinion assy. ....	5.529
Ring gear bolt .....	5.531
Ring gear screw .....	5.591
Ring gear thrust pad, screw and lock .....	5.533
Ring, Headlamp rim .....	2.731
Ring, Horn blowing .....	2.818, 2.830
Ring, Main cylinder piston rod lock ..	4.656
Ring, Pinion shaft rear bearing lock ..	5.489
Ring, Piston .....	0.643
Ring, Propeller shaft bearing lock ..	5.437
Ring, Rear wheel hub clamp .....	5.820
Ring, Rim clamp .....	5.839
Ring, Stator over run cam retaining .....	4.117
Ring, Strg. gear hyd. cyl. piston .....	6.579
Ring, Strg. gear hyd. pump .....	6.811
Ring, Strg. gear hyd. pump dr. shaft out. brg. ret. ....	6.616
Ring, Torque converter retaining .....	4.112
Ring, Trans. clutch piston release spring snap .....	4.164
Ring, Trans. clutch drum oil seal .....	4.169
Ring, Trans. countershaft gear ret. ....	4.422
Ring, Trans. front oil pump seal .....	4.203
Ring, Trans. gov. sleeve oil seal .....	4.258
Ring, Trans. input shaft oil seal .....	4.123
Ring, Trans. low or reverse servo piston .....	4.228, 4.241
Ring, Trans. main drive gear bearing ..	4.376
Ring, Trans. rear bearing locating .....	4.412
Ring, Trans. rear servo .....	4.242
Ring, Trans. reg. valve cap ret. ....	4.265
Ring, Trans. stator race snap .....	4.112
Ring, Trans. stator thrust snap .....	4.117
Ring, Trans. sun gear flange retainer ..	4.162
Ring, Trans. synchronizing .....	4.383
Ring, Trans. valve body oil valve snap .....	4.217
Ring unit, Horn blowing .....	2.830
Ring, Universal joint .....	5.574
Ring, "U" joint transion bearing lock ..	5.588
Ring, Vac. brake hyd. cyl. valve snap ..	4.917
Ring, Vac. brake cylinder valve and piston stop retaining .....	4.842
Ring, Wheel side appearance .....	5.871
Rivet, Brake lacing .....	5.019
Rivet, Brake flange plate .....	5.002
Rivet, Clutch disc facing .....	0.884
Rivet, Door window glass run .....	16.175
Rivet, Dr. vent. div. upr. glass run chnl. ....	10.686, 10.829
Rivet, Front door hinge hold open .....	10.444
Rivet, Front seat adjuster .....	11.563
Rivet, Gearshift lever handle .....	4.008
Rivet, Grille conn. and grille ctr. baffle .....	1.289
Rivet, Propeller shaft coupling .....	5.457
Rivet, Ring gear .....	5.531
Rivet, Side dr. vent. frame to chnl. ....	16.175
Rivet, Tie rod safety .....	6.255
Robe cord end support .....	11.899
Robe cord escutcheon .....	11.878
Robe cord support spring .....	11.900
Robe rail escutcheon screw .....	11.884
Rocker arm .....	0.333
Rocker arm, Fuel pump .....	3.920
Rocker arm shaft .....	0.353
Rocker arm shaft spring .....	0.376
Rod, Accelerator .....	3.431
Rod, Accelerator crank .....	3.579
Rod, Accelerator lever .....	3.430
Rod and bracket, Front brake radius ..	5.011
Rod and tube, Air flow control .....	9.787
Rod and tube, Hood catch control .....	8.075
Rod assy., Strg. connecting .....	8.870
Rod assy., Air flow hr. temp. control ..	9.806
Rod, Brake .....	4.625
Rod, Brake pull .....	4.826
Rod, Brake wheel cyl. to brake shoe thrust .....	4.575
Rod, Carburetor choke .....	3.752
Rod, Carburetor to accel. lever .....	3.430
Rod, Carburetor throttle and pump .....	3.762
Rod, Carburetor metering .....	3.808
Rod, Choke .....	3.521

Rod, Clutch fork offset .....	0.787
Rod, Clutch fork control .....	0.854
Rod, Clutch .....	0.832
Rod, Connecting .....	0.603
Rod, Door inside lock to knob .....	10.563
Rod, Door lock remote control oper. ....	10.506
Rod, Drivers seat adjuster locking ..	16.882
Rod, Fldg. top control .....	14.471
Rod, Front axle tie .....	8.230
Rod, Front brake camshaft lever .....	5.148
Rod, Front seat adj. lock .....	11.589
Rod, Front seat adjuster .....	11.561
Rod, Gearshift control .....	4.019
Rod, Gearshift reverse latch .....	4.030
Rod, Hood hinge .....	8.016
Rod, Hood panel brace .....	8.015
Rod, Lighting switch .....	2.488
Rod, Main cylinder push .....	4.658
Rod, Oil level .....	1.516
Rod, Parking brake lever .....	4.594
Rod, Parking brake pull .....	4.826
Rod, Parking brake release .....	4.594
Rod, Radiator brace .....	1.308
Rod, Rear axle gearshift .....	5.623
Rod, Rear axle gearshift selector .....	5.638
Rod, Rear door lock to cont. lever .....	10.563
Rod, Speedometer gear adapter .....	4.329
Rod, Starter pedal & connecting .....	2.036
Rod, Strg. col. gearshift selector .....	4.020
Rod, Strg. gear hyd. piston .....	6.580
Rod, Throttle .....	3.481
Rod, Trans. low servo piston .....	4.228
Rod, Trans. reverse servo piston .....	4.241
Rod unit, Steering connecting .....	6.874
Rod, Vac. brake cyl. piston .....	4.924
Rod, Valve push .....	0.426
Rod, W/S wiper .....	16.063
Roller Assy., Directional signal lamp switch .....	2.906
Roller, Frt. brake camshaft lever rod ..	5.199
Roller, King pin .....	6.205
Roller, Seat adj. rr. ....	11.593
Roller, Trans. countershaft .....	4.422
Roller, Trans. mainshaft rear brg. ....	4.352
Roller unit, Stator over run .....	4.117
Roller unit, Trans. sec. pump .....	4.112
Roller unit, Trans. stator overrun .....	4.117
Roller, Universal joint yoke .....	5.568
Roller, Wheel carrier .....	7.780
Roof bow .....	12.952
Roof drip moulding .....	12.075, 16.642
Roof inner trim moulding .....	14.651
Roof outer panel .....	16.585
Roof panel insulator .....	18.738
Roof panel moulding .....	12.097
Roof rail, Front .....	18.510
Roof rail to wheelhouse brace .....	12.956
Roof rail w/strip ret. ....	10.703, 14.120, 14.190, 14.260
Roof rail w/strip .....	10.721, 14.120, 14.190, 14.260
Rotator Assy., Exhaust valve .....	0.309
Rotor, Distributor .....	2.382
Rotor, Strg. gear hyd. pump .....	6.810
Round head carriage bolt .....	8.903
Round slotted head bolt .....	8.906
Rubber gloss finish .....	8.800
Rubber hose .....	8.962
Rubbing compound .....	8.800
Ruglyde rubber lubricant .....	8.800
Running board .....	8.299
Running board apron .....	8.228
Running board apron anti-squeak .....	8.237
Running board anti-squeak .....	8.205
Running board mat .....	8.316
Running board mat frame supt. brace ..	8.316
Running board moulding .....	8.304
Running board mldg. fastener .....	8.309
Rust preventive, Radiator .....	8.800

S

Safety lock parts, Door .....	16.328
Safetylight lamp and parts .....	9.773
Sash channel, Front door glass lower ..	10.685, 16.190

Sash channel, Rear door wind. lwr. ....	10.747
Scalp, Door glass run div. chnl. ....	10.829
Scalp, Frt. door glass div. chnl. ....	10.686
Screen assy., Trans. oil .....	4.224
Screen, Carburetor strainer .....	3.841
Screen, Oil pump .....	1.656
Screen, Radiator .....	1.266
Screen, Radio .....	10.256
Screw, Assist strap to body .....	15.392
Screw, Back curtain frame .....	13.395
Screw, Back door vert. lock handle .....	16.333
Screw, Back-up lamp door .....	2.697
Screw, Back window garnish mldg. ....	16.310
Screw, Back window mldg. ....	16.475
Screw, Brake camshaft lever adj. ....	5.195
Screw, Brake shoe adjusting .....	5.110
Screw, Brake wheel cylinder adj. ....	4.672
Screw, Carb. choke hsg. ....	3.750
Screw, Carb. choke tube brkt. ....	3.733
Screw, Carb. fast idle cam .....	3.757
Screw, Carb. idle adj. ....	3.822
Screw, Carb. nozzle passage .....	3.775
Screw, Carb. plunger shaft link cover ..	3.836
Screw, Carb. throttle valve .....	3.761
Screw, Center and rear seat attach. ....	11.608
Screw, Clutch lock .....	0.796
Screw, Differential carrier cap .....	5.506
Screw, Differential case .....	5.513
Screw, Directional signal lamp .....	2.893
Screw, Distr. contact supt. clamp .....	2.387
Screw, Distr. vacuum control .....	2.417
Screw, Dome lamp switch term. wire .....	11.838, 16.498
Screw, Dome lamp switch plate .....	11.939
Screw, Door bumper casting .....	10.574
Screw, Door check .....	16.437
Screw, Door check link .....	10.624
Screw, Door glass lwr. sash chnl. ....	10.691
Screw, Door inside lock lever .....	16.382
Screw, Door lock striker to pillar .....	10.570
Screw, Door outside handle safety ..	10.540
Screw, Door safety lock .....	10.551
Screw, Door weatherstrip .....	10.695
Screw, Door weatherstrip retainer ..	16.231
Screw, Door window weatherstrip ..	10.724
Screw, End gate support .....	17.202
Screw, Front body pillar trim retainer .....	14.668
Screw, Front door lock to spring .....	10.474
Screw, Front fender .....	8.143
Screw, Front seat adj. handle ..	11.591, 16.682
Screw, Garnish moulding .....	11.128
Screw, Gas filter thumb .....	3.890
Screw, Gearshift control upr. supt. to mast jacket .....	4.018
Screw, Generator Brush .....	2.287
Screw, Generator drive end .....	2.307
Screw, Headlamp beam adjusting ..	2.737
Screw, Headlamp sealed beam rel. ....	2.736
Screw, Horn button key .....	2.830
Screw, Oil pan drain .....	1.453
Screw, Oil pump retaining set .....	1.672
Screw, Parking brake lever grip .....	4.600
Screw, Parking lamp door .....	2.594
Screw, Pinion shaft .....	5.518
Screw, Pinion shaft brg. lock .....	5.452
Screw, Pitman shaft adjuster .....	6.822
Screw, Quarter window hinge pivot ..	11.057
Screw, Rad. grille .....	1.289
Screw, Rear comp. lid bumper .....	12.212
Screw, Rear fender to body .....	8.206
Screw, Rear license plate lamp cover ..	2.708
Screw, Ring gear .....	5.531
Screw, Robe cord escutcheon .....	11.878
Screw, Robe rail escutcheon .....	11.884
Screw, Sheet metal .....	8.977
Screw, Sheet metal attach. ....	16.170
Screw, Shifter lock .....	4.312
Screw, Shock absorber filler plug .....	7.401
Screw, Starting motor .....	2.077
Screw, Starting motor bendix drive ..	2.091
Screw, Steering gear worm thrust .....	8.532
Screw, Stop lamp switch .....	2.453
Screw, Sunshade support .....	10.225



Screw, Tail and stop lamp door	2.689
Screw, Tail lamp outlook lens	2.691
Screw, Toe board	12.559
Screw, Top lining panel	16.742
Screw, Trans. low or rev. band adj.	4.253
Screw, Trans. primary pump hub attaching	4.115
Screw, Trans. servo band adj.	4.253
Screw, Trim attaching	15.275
Screw, Valve rocker arm adjusting	0.429
Screw, W/S garnish molding	10.056
Screw, W/S regulator handle	16.053
Screw, Wheel cylinder bleeder	4.686
Seal, Accelerator rod toe board	3.489
Seal, Axle gearshift power unit mtg.	5.635
Seal, Axle shaft oil	5.822
Seal, Brake cable	4.934
Seal, Brake flange radius rod	5.005
Seal, Carburetor governor	3.970
Seal, Control arm shaft bushing	6.166
Seal, Cowl side inner panel	16.551
Seal, Crankcase front end cover	0.209, 0.213
Seal, Crankshaft bearing oil	0.137
Seal, Door wind. glass	16.182
Seal, Double reduction shifter yoke	5.490
Seal, Fluid coupling	4.118
Seal, Front fender baffle	8.165
Seal, Front fender skirt	8.154
Seal, Front or rear bumper	7.792
Seal, Front propeller shaft bearing	5.433
Seal, Front spring horn	6.152
Seal, Fuel & vac. pump oil	3.930
Seal, Gas tank filler neck	3.008
Seal, Gearshift lever	4.015
Seal, Gearshift operating shaft	4.107
Seal, Gearshift vac. cyl. piston	4.077
Seal, Hand brake lever	4.612
Seal, Headlamp lens	2.735
Seal, Hood panel	8.010
Seal, King pin oil	6.225
Seal "O" ring, Gearshift	4.006
Seal, Oil pan	1.429
Seal, Pinion flange oil	5.469
Seal, Pitman shaft	8.955
Seal, Propeller shaft flange oil	5.555
Seal, Prop. shaft oil	5.489
Seal, Propeller shaft bearing dust	5.438
Seal, Rear axle gearshift lever	5.627, 5.631
Seal, Rear bumper	7.839
Seal, Rear comp. lid emblem	12.183
Seal, Rear spring seat	5.404
Seal, Rear wheel hub oil	5.822
Seal, Shift lever shaft	4.107
Seal, Steering connecting rod	6.886
Seal, Steering knuckle support	8.166
Seal, Steering post	8.758
Seal, Strg. idler and 3rd. arm shaft	6.181
Seal, Tie rod dust	6.111
Seal, Toe board supt. to cowl panel	16.548
Seal, Trans. case cover	4.124
Seal, Trans. clutch piston ring	4.168
Seal, Trans. control valve	4.282
Seal, Trans. Cover oil	4.125
Seal, Trans. front oil pump body oil	4.203
Seal, Trans. front oil pump body "O" ring	4.203
Seal, Trans. manual valve lever shaft oil	4.218
Seal, Trans. oil filler "O" ring	4.133
Seal, Trans. primary pump "O" ring	4.115
Seal, Trans. pump	4.223
Seal, Trans. rear bearing oil	4.318, 4.335
Seal, Trans. rear servo	4.242
Seal, Trans. torq. converter cover "O" ring	4.115
Seal, Trans. turbine bolt "O" ring	4.115
Seal, Trans. valve pressure reg. plug	4.216
Seal, Universal joint	4.318
Seal, Universal joint ball collar	5.572
Seal, Univ. joint yoke trunion brg.	5.560
Seal, Vac. brake check valve	4.955
Seal, Vac. brake hyd. cyl. push rod guide	4.928
Seal, Vac. brake hyd. cyl. tube	4.910

Seal, Vac. brake hyd. cyl. valve	4.910
Seal, Valve push rod cover	0.454
Seal, Valve stem oil	0.308
Seal, Windshield wiper spacer	16.065
Seal, Wheel cover panel	8.177
Seal, Wheel hub oil	5.822
Seal, Supt. shaft outer brg.	6.400
Sealed beam, Portable spotlight	9.773
Sealed beam unit, Headlamp	2.727
Sealer, Chrome protective	6.800
Sealer, Windshield	6.800
Seaming lace	15.527
Seat adjuster cable & parts	16.632
Seat adjuster handle screw	11.591, 16.632
Seat adj. locking rod support	11.582
Seat adjuster knob	11.588
Seat adjuster rear roller	11.593
Seat adjuster return spring	16.682
Seat adjuster rivet	11.563
Seat adjuster spring clip	11.582
Seat adjuster track & cover	11.573, 16.682
Seat assy., Driver adjustable	14.896, 16.680
Seat assy., Pass. tilting	14.948
Seat, Auxiliary	16.670
Seat back assembly, Front	11.358, 16.680
Seat back comp. shelf trim assy.	15.024
Seat back cushion, Front	14.799, 16.720
Seat back cushion trim, Front	14.800, 16.724
Seat back panel	16.680
Seat back, Rear	14.898
Seat back strainer	16.698
Seat back support, Passenger	11.517
Seat back trim, Drivers & pass.	14.900
Seat back trim, Rear	15.000
Seat bottom frame trim	14.860
Seat cover	9.550
Seat cover installation kit	9.550
Seat cushion	16.715
Seat cushion and back upholstery	15.500
Seat cush., Center, Trimmed	14.974, 16.715
Seat cushion, Driver	14.928
Seat cushion frame skirt	16.678
Seat cushion, Front	14.878, 16.715
Seat cushion panel	16.716
Seat cushion, Passenger	14.870
Seat cushion, Rear	15.033
Seat cushion assy., Pass.	14.968
Seat cushion spring, With frame	16.716
Seat cushion trim, Center	14.880
Seat cushion trim, Front	14.880, 16.717
Seat cushion trim, Rear	15.035
Seat cushion upholstery	15.500
Seat frame assy.	11.357, 16.679
Seat, Gearshift lever spring	4.027
Seat, Gearshift vac. cyl. cushion	4.048
Seat, Handle push button spring	16.353
Seat, Piston apply spring	4.228
Seat, Rear spring	5.403
Seat, Strg. shaft upr. brg.	6.526
Seat, Tie rod	6.255
Seat, Tie rod dust cover	6.114
Seat, Tie rod spring	6.255
Seat, Trans. cl. piston release spg.	4.164
Seat unit, Driver	16.680
Seat, Universal joint ball collar	5.565
Seat, Valve push rod	0.459
Seat, Valve spring	0.311
Seat, Valve tappet spring	0.506
Sector and shaft, Steering gear	6.850
Sector, Hand brake lever	4.603
Separator and balls, Fri. wheel brg.	6.318, 6.319
Separator, Gas gauge insulator	3.112
Shackle, Body mounting	9.009
Shackle bolt and pin, Rear spring	7.529
Shackle, Front spring	7.436
Shackle pin, Spring	7.427, 7.494
Shackle, Rear spring	7.523
Shaft, Accelerator lever	3.585
Shaft and housing assy., Front prop.	5.435
Shaft and lever, Carburetor throttle	3.759
Shaft and sector, Steering gear	6.850
Shaft Assy., Carb. choke	3.752
Shaft Assy., Carb. throttle	3.752
Shaft, Axle	5.420
Shaft, Ball crank	4.019

Shaft, Brake and clutch pedal	0.833
Shaft, Brake cross	4.788
Shaft, Brake main cylinder	4.824
Shaft, Carburetor choke	3.752
Shaft, Carb. throttle valve	3.759
Shaft, Differential pinion	5.517
Shaft, Distributor	2.972
Shaft, Door lock handle	10.554, 16.365
Shaft, Door ventilator tee	10.657
Shaft, Double reduction pinion	5.481
Shaft, Front stabilizer	7.241
Shaft, Gearshift	4.309
Shaft, Gearshift control	4.007
Shaft, Manifold heat control valve	3.850
Shaft, Propeller	5.436, 5.441
Shaft, Rear comp. lid lock handle	12.252
Shaft, Rear door vent. tee	10.825
Shaft, Rocker arm	0.353
Shaft, Starter pedal	2.004
Shaft, Steering gear	6.524
Shaft, Strg. col. gearshift control	4.007
Shaft unit, Strg. idler and third arm	6.181
Shaft unit, Steering knuckle	8.164
Shaft, Strg. knuckle supt. lwr. arm	8.169
Shaft, Trans. gearshift operating	4.107
Shaft, Transmission input	4.123
Shaft, Transmission main	4.172, 4.403
Shaft, Trans. parking lock lever	4.220
Shaft, Trans. parking lock pawl	4.220
Shaft, Transmission reverse idler	4.433
Shaft unit, Valve rocker	0.352
Shaft, Upper control arm, inner	6.164
Shaft, Valve rocker arm	0.353
Shaft, Water pump	1.108
Shaft, Wheel cylinder adj. pinion	4.678
Shaver, Electric	8.895
Sheet metal screw	8.977
Shell, Body	16.000
Shell, Radiator	1.263
Shell, Vac. brake cylinder	4.906
Shield, Battery	2.339
Shield, Brake wheel cyl.	4.670
Shield, Fender	8.214, 12.114, 12.116
Shield, Front mounting	0.027
Shield, Propeller shaft bearing dust	5.438
Shield, Steering gear housing	6.797
Shield unit, Brake drum	5.810
Shield unit, Front fender	8.162
Shield, Wheel	8.175
Shifter lever assy.	4.302
Shifter lever, Double reduction	5.491
Shifter sleeve double reduction	5.482
Shifter yoke guide	4.305
Shifting mechanism, Rear axle	5.619
Shifting shaft retainer	4.311
Shim, Axle gearshift power unit mtg.	5.636
Shim, Body	9.023
Shim, Brake flange plate	5.002
Shim, Connecting rod	0.619
Shim, Ck/shaft brg cap.	0.143, 0.146, 0.153
Shim, Double red. pinion brg. cover	5.464
Shim, Front spring	7.425
Shim, King pin thrust bearing	6.214
Shim, Knee action spring	6.364
Shim, Pinion shaft bearing	5.460
Shim, Pinion shaft bearing cage	5.458
Shim, Steering idler and 3rd arm	6.180
Shim, Steering gear lash adj.	6.828
Shim, Trans. input shaft drive flange	4.123
Shim, Transmission mounting	4.084
Shim unit, Trans. case to clutch hq.	4.104
Shim, Universal joint ball retainer	5.567
Shock abs. anchor plate, Rear	7.370
Shock abs. arm bushing	7.377
Shock abs. arm link bushing	7.357
Shock abs. arm link sleeve	7.359
Shock absorber assy.	7.345
Shock abs. axle brkt.	7.360
Shock abs. axle fitting washer	7.371
Shock abs. bolt gasket	6.384
Shock abs. cover gasket	7.383
Shock abs. filler plug screw	7.401
Shock abs. fluid	7.345, 6.386



Shock abs. frame brkt. and bolt.....	7.385	Socket, Headlamp, with wires.....	2.750	Spring, Brake pull back.....	4.827
Shock abs. frame brkt. supt.....	7.395	Socket, Instrument lamp, with wire..	2.773	Spring, Brake shoe.....	5.026
Shock abs., Frt., with upper arm.....	6.162	Socket, Tail and stop lamp.....	2.894	Spring, Brake shoe adj. screw lock..	5.111
Shock abs. grommet retainer.....	7.389	Spacer, Assist handle.....	16.450	Spring, Brake shoe friction.....	5.029
Shock abs., Knee action.....	6.357	Spacer, Axle shaft.....	5.422	Spring, Brake shoe guide.....	5.046
Shock abs. link.....	7.355	Spacer, Back-up lamp.....	2.697	Spring, Brake wheel cyl. piston.....	4.669
Shock abs. link bolt.....	7.356	Spacer, Battery clamp.....	2.334	Spring, Brake fig. idler lever release..	5.222
Shock abs. link bushing.....	7.388	Spacer, Brake flange plate.....	5.002	Spring, Brake main cyl. piston return..	4.955
Shock abs. link nut.....	7.355	Spacer, Brake lever support.....	4.634	Spring bumper, Front.....	7.422
Shock abs. link pin.....	7.356	Spacer, Carb. choke trip lever.....	3.752	Spring bumper ret. and parts, Front..	7.421
Shock abs. relief valve nut.....	7.351	Spacer, Carburetor to manifold.....	3.729	Spring bumper, Rear.....	7.535
Shock abs. unit.....	7.345	Spacer, Clutch and brake pedal shaft	0.937	Spring bushing, Rear.....	7.524
Shock abs. valve.....	7.348	Spacer, Door lock striker.....	10.571	Spring, Carb. check valve.....	3.825
Shock abs. washer.....	7.371	Spacer, Door outside handle.....	16.395	Spring, Carb. fast idle lever.....	3.766
Shoe, Door dovetail bumper.....	10.561	Spacer, Door remote control handle..	16.345	Spring, Carb. pump plunger.....	3.841
Shoe, Brake, with facing.....	5.017	Spacer, Door safety lock.....	10.551	Spring, Carb. step-up piston.....	3.859
Shoe, Parking brake.....	5.810	Spacer, End gate hinge link.....	17.206	Spring, Carburetor choke.....	3.753
Shroud and bracket, Radiator fan....	1.277	Spacer, Engine hold down bolt.....	0.002	Spring, Carburetor metering rod.....	3.910
Shut off cock.....	8.951	Spacer, Exhaust manifold valve shaft	3.855	Spring, Carburetor idle adj. screw...	3.823
Shut off. Gas feed pipe.....	3.184	Spacer, Folding top motor to link....	14.482	Spring, Clutch and brake shaft lock..	0.837
Side assy., Body.....	17.110, 17.505	Spacer, Front door lock.....	16.335	Spring, Clutch fork throwout bearing..	0.805
Side curtain.....	17.270	Spacer, Front fender skirt.....	8.153	Spring, Clutch fork ball.....	0.823
Side door ventilator assy.....	18.173	Spacer, Front prop. shaft brg. supt..	5.433	Spring, Clutch key 3rd and 4th speed	4.384
Side dr. vent. frame to chnl. rivet....	16.175	Spacer, Front spring "U" bolt.....	7.425	Spring, Clutch pedal pull back.....	0.844
Side door ventilator glass.....	18.174	Spacer, Front stabilizer shaft support	7.240	Spring, Clutch press. plate retracting	0.864
Side dr. vent. glass front W/strip....	16.175	Spacer, Hydraulic brake cylinder....	4.886	Spring, Clutch pressure.....	0.865
Side door ventilator handle.....	18.176	Spacer, Main cylinder support.....	4.664	Spring, Clutch pressure lever ret....	0.878
Side door vent. locking handle pin..	18.176	Spacer, Muffler supt. brkt. grommet..	3.707	Spring, Clutch throwout bearing plate	0.814
Side dr. vent. locking hdl.		Spacer, Parking brake cross shaft...	4.801	Spring, Cowl ventilator.....	16.132
striker plate.....	16.178	Spacer, Parking brake lever.....	4.605	Spring, Crankshaft clutch pilot brg...	0.650
Side dr. vent. W/div. chnl. frame....	16.175	Spacer, Parking brake lever sector..	4.605	Spring, Deck lid lock.....	12.250
Side member assy., Frame.....	7.006	Spacer, Pinion shaft bearing.....	5.459	Spring, Distr. vac. control diaph.....	2.418
Side member reinforcement.....	7.005	Spacer, Pitman shaft bushing.....	6.855	Spring, Distributor weight.....	2.389
Side pan, Engine.....	8.112	Spacer, Propeller shaft front flange..	5.608	Spring, Distributor.....	2.384
Side panel.....	17.110	Spacer, Propeller shaft pinion.....	5.545	Spring, Distributor cap.....	2.368
Side roof inner rail.....	12.957	Spacer, Prop. shaft bearing dust seal	5.498	Spring, Door check link retaining....	16.437
Side roof outer rail.....	12.956	Spacer, Quarter belt mldg. retainer..	12.116	Spring, Door dovetail bumper.....	10.582
Side roof rail gasket.....	10.721	Spacer, Radiator grille.....	1.268, 1.268	Spring, Door handle push button.....	10.529
Side stake gate assy.....	17.500	Spacer, Rear spring clip and "U" bolt	7.518	Spring, Door hdl. push button.....	16.353
Side sub-frame member.....	7.007	Spacer, Rear spring eye bolt.....	7.530	Spring, Door hinge.....	16.323
Side trim panel mldg. esca.....	15.284	Spacer, Speedometer drive gear.....	4.334	Spring, Door inside handle.....	10.513
Side window parts.....	17.136	Spacer, Spring seat.....	6.364	Spring, Door inside handle esca.....	10.516
Signal, Directional.....	2.980	Spacer, Steering knuckle.....	6.020	Spring, Door lock striker.....	10.570
Signal lamp flasher.....	2.892	Spacer, Trans., countershaft bearing	4.422	Spring, Door lock remote control.....	16.341
Signal lamp lever & strap.....	2.908	Spacer, Trans. countershaft.....	4.428	Spring, Door outside lock handle....	10.551
Signal lamp switch.....	2.895	Spacer, Trans. manual valve lever....	4.218	Spring, Door outside handle lock....	16.375
Signal unit, Parking brake.....	4.589	Spacer, Trans. spline shaft bearing..	4.408	Spring, Door safety lock retainer....	10.551
Sill assy., Body rear end lower.....	12.415	Spacer, Universal joint.....	5.579	Spring, Door window rag. call.....	10.794
Sill, Front side.....	16.500	Spacer, Water pump packing.....	1.133	Spring, Double reduction shifter.....	5.491
Sill, Platform cross.....	17.405	Spacer, Wheel bearing.....	8.328	Spring, Drivers seat adjuster return..	16.682
Sill, Rear cross.....	17.020	Spacer, Wheel carrier.....	7.751	Spring, Drivers seat oper. hdl. and	
Skirt, Front fender.....	8.153	Spacer, Wheel hub.....	5.811	lock bar.....	16.682
Skirt, Seat cushion frame.....	16.678	Spacer, Windshield wiper motor.....	16.065	Spring, End gate.....	12.204, 17.198, 17.202
Slat iron, Folding top rear bow.....	14.350	Spare tire cover board.....	12.679	Spring, Engine hold down bolt.....	0.002
Slat, Top.....	12.482	Spark plug and gasket.....	2.270, 2.271	Spring, Exhaust pipe support.....	3.616
Sleeve, Accelerator front rod.....	3.425	Spark plug cable.....	2.241	Spring eye bolt, Front.....	7.429
Sleeve, Auxiliary seat hinge.....	16.674	Spark plug protector.....	2.258	Spring eye bolt nut, Front.....	7.432
Sleeve, Axle gearshift pwr. unit mtg..	5.635	Spark plug wire.....	2.240	Spring eye bolt spacer, Rear.....	7.530
Sleeve, Clutch throwout bearing.....	0.803	Spark plug wire clip.....	2.249	Spring eye bushing, Front.....	7.413
Sleeve, Door handle lock.....	16.370	Spark plug wire nipple.....	2.258	Spring eye bushing, Rear.....	7.504
Sleeve, Door handle push button		Spark plug wire terminal.....	2.257	Spring, Fldg. top pump valve.....	14.482
and lock cylinder.....	10.551	Spark plug wire unit.....	2.241	Spring, Front fender support.....	8.156
Sleeve, Double reduction shifter.....	5.492	Spark plug wrench.....	2.273	Spring front hanger, Rear.....	7.112
Sleeve, Intake manifold.....	3.281	Speaker, Radio auxiliary.....	8.650	Spring, Frt. door vent. handle, Esca..	10.686
Sleeve, Oil distributor coupling.....	1.531	Speed nut.....	8.921	Spring, Fuel pump rocker arm.....	3.922
Sleeve, Pinion shaft bearing lock....	5.453	Speedometer adapter.....	4.329	Spring, Fuel pump diaphragm.....	3.927
Sleeve, Pitman shaft housing adj....	8.788	Speedometer adapter pin and key...	4.330	Spring, Gas filter, conical.....	3.890
Sleeve, Rear compartment lid handle..	12.254	Speedometer cable.....	4.342	Spring, Gas tank filler door.....	12.944
Sleeve, Shock absorber arm link.....	7.358	Speedometer drive gear.....	4.337	Spring, Gearshift lever.....	4.026
Sleeve, Steering connecting rod.....	8.870	Speed, drive gear assy. w/fitting....	4.337	Spring, Gearshift lever pivot pin....	4.025
Sleeve, Strg. col. gearshift selector rod	4.021	Speedometer drive gear spacer.....	4.334	Spring, Gearshift locating ball.....	4.012
Sleeve, Trans. case oil.....	4.132	Speedometer driven gear parts.....	4.333	Spring, Gearshift lock plunger.....	4.311
Sleeve, Trans. countershaft gear....	4.422	Spider, Differential.....	5.520	Spring, Gearshift oper. lever link	
Sleeve, Trans. interlock.....	4.095	Sponge cleaner.....	8.800	anti-rattle.....	4.020
Sleeve, Trans. oil delivery.....	4.179	Spotlight, Portable.....	9.773	Spring, Gearshift oper. shaft.....	4.307, 4.108
Sleeve, Trans. servo cover locating..	4.212	Spring, Accelerator.....	3.458	Spring, Gearshift reverse latch.....	4.033
Sleeve, Trans. spline shaft bearing..	4.409	Spring, Ash receiver anti-rattle.....	12.050	Spring, Gearshift reverse latch rod..	4.006
Sleeve, Universal joint.....	5.555	Spring assembly, Front.....	7.412	Spring, Gearshift selector control rod	4.020
Sleeve, Valve rocker arm shaft.....	1.928	Spring assembly, Rear.....	7.503	Spring, Gearshift vac. cyl. piston	
Slinger, Trans. main dr. gear brg. oil	4.374	Spring, Assist strap to body.....	15.392	valve pin ret.....	4.079
Slotted nuts.....	8.917	Spring, Back door safety lock cyl....	10.474	Spring, Gearshift vac. cyl. valve....	4.073
Snuffer, Ash tray.....	12.014, 16.120	Spring bracket, Rear.....	7.113	Spring, Generator brush.....	2.286
Socket and wire assy., License lamp..	2.714	Spring bracket, Auxiliary.....	7.526	Spring, Guide bar yoke lock ball....	4.307
Socket Assy., Direction signal.....	2.899	Spring, Brake camshaft hole.....	5.188	Spring hanger and horn bushing....	7.104
Socket, Brake shoe adj. screw.....	5.111	Spring, Brake cross shaft.....	4.796		
Socket, Dash lamp.....	2.773	Spring, Brake drum.....	5.810		

Spring hanger eye bolt nut	7.530
Spring hanger eye lock, Rear	7.530
Spring hanger, Front	7.103
Spring, Headlamp body tension	2.721
Spring, Headlamp door seal ret.	2.746
Spring, Headlamp lens retainer	2.730
Spring, Hood catch lock plate	8.081, 8.085
Spring, Hood hinge	8.013
Spring, Hood safety catch	8.084
Spring, Horn button & blowing ring	2.816
Spring horn cover seal ret., Front	8.152
Spring horn, Front	7.103
Spring, Hose and tee connector yoke	4.681
Spring, Hub cap lock	5.864
Spring, Instr. panel comp. door lock	10.270
Spring, King pin oil seal	6.225
Spring, Knee action, Front	6.361
Spring leaf clip	7.513
Spring leaf clip bolt and spacer	7.514
Spring leaf, Front	7.415
Spring leaf, Rear	7.505
Spring, Mfld. heat control valve	3.853
Spring, Oil can, rocker arm shaft	1.928
Spring, Oil distributor valve cap	1.789
Spring, Oil pan trough pipe	1.427
Spring, Oil pump suction screen ret.	1.665
Spring, Oil pump relief valve	1.871
Spring, Parking brake	4.587, 4.800
Spring, Parking brake outer shoe	5.026
Spring, Parking brake pull back	4.827
Spring, Parking brake shoe friction	5.028
Spring, Parking brake shoe lever	5.151
Spring, Parking brake shoe lever ext.	5.151
Spring, Propeller shaft coupling	5.457
Spring, Prop. shaft retainer	5.437
Spring, Radiator cushion	1.270
Spring, Rear comp. lid supt.	12.204
Spring rear hanger, Front	7.303
Spring rear hanger, Rear	7.118
Spring, Retainer	8.934
Spring, Reversing switch conn.	2.118
Spring, Rope cord support	11.900
Spring, Rocker arm shaft ret.	0.376
Spring, Seat adjuster	11.581, 16.682
Spring, Seat cushion, with frame	16.716
Spring seat, Rear	5.403
Spring, 2nd. & 3rd. speed lock plate	4.012
Spring shackle bolt	7.428
Spring shackle bolt and pin, Rear	7.529
Spring shackle brkt. bush, Front	7.303
Spring shackle, Front	7.436
Spring shackle lock & washer, Front	7.443
Spring shackle pin	7.427
Spring shackle, Rear	7.523
Spring shackle washer, Front	7.443
Spring shackle washer, Rear	7.443
Spring, Shifter fork lock ball	4.012
Spring, Speedometer gear adapter	4.329
Spring, Starter pedal shaft anti-rattle	2.029
Spring, Starter	2.029
Spring, Starting motor bendix	2.087
Spring, Starting motor brush	2.053
Spring, Starting motor drive shift	2.108
Spring, Steering connecting rod	6.878
Spring, Strg. column gearshift anti-rattle 4.016, 4.017, 4.018, 4.020,	4.026
Spring, Strg. shaft upr. brg.	6.526
Spring, Tail and stop lamp socket	2.694
Spring, Tail lamp link	2.864
Spring, Tie rod	6.255
Spring, Tie rod dust seal	6.112
Spring, Trans. apply strut guide	4.233
Spring, Trans. clutch piston release	4.164
Spring, Trans. control indicator ret.	4.038
Spring, Trans. low or reverse servo piston	4.228, 4.241
Spring, Trans. lubrication by-pass	4.216
Spring, Trans. park. lock pawl	4.220
Spring, Trans. press. reg. valve	4.216
Spring, Trans. synchronizing	4.413
Spring, Trans. throttle	4.256
Spring, Trans. vac. modulator diaph.	4.205
Spring, Trans. valve body accum.	4.217
Spring, Trans. valve body oil accum. valve	4.217
Spring "U" bolt, Front	7.417

Spring "U" bolt nut, Rear	7.519
Spring "U" bolt, Rear	7.516
Spring "U" bolt spacer, Front	7.425
Spring, Vac. brake cyl.	4.917
Spring, Vac. brake check valve	4.955
Spring, Vac. brake cyl. piston return	4.924
Spring, Valve	0.309
Spring, Valve rocker arm shaft	0.976
Spring, Valve tappet	0.503
Spring, W/S reg. handle ret.	10.122
Spring, washer	8.928
Spring, Wheel cylinder adj. pinion	4.878
Spring, Wheel lock	7.680
Spring, Window reg. handle escm.	10.806
Spring, Windshield wiper arm	10.147
Stabilizer link bolt and nut, Front	7.238
Stabilizer repair kit, Front	7.253
Stabilizer shaft support link	7.240
Stabilizer shaft, Front	7.241
Stabilizer shaft bracket and parts	7.242
Stabilizer shaft bushing, Front	7.243
Stabilizer support link brkt. and ret.	7.245
Stake gate hinge pin retainer	17.524
Stake pocket, Front and	17.462
Stake and stack rack washer	17.522
Stake rack assy.	17.485
Stake rack assy., Rear end	17.560
Stake, Rear end	17.515
Stake, Side	17.515
Stamped nut	8.921
Starter control fork	2.037
Starter conversion unit	2.100
Starter pedal bracket	2.008
Starter pedal button	2.012
Starter pedal bellow	2.014
Starter pedal floor board guide	2.014
Starter pedal lever spring clip	2.029
Starter pedal link	2.033
Starter pedal retainer	2.014
Starter pedal rod and joint	2.036
Starter pedal shaft	2.004
Starter pedal shaft anti-rattle spring	2.010
Starter spring	2.029
Starterator vacuum control	2.017
Starting crank	0.238
Starting motor	2.041
Starting motor armature	2.043
Starting motor bendix drive pinion	2.088
Starting motor bendix drive screw	2.091
Starting motor bendix drive spring	2.087
Starting motor brush	2.051
Starting motor brush holder	2.052
Starting motor brush lead	2.055
Starting motor brush spring	2.053
Starting motor comm. cover band	2.070
Starting motor drive	2.088
Starting motor drive collar	2.089
Starting motor drive end bushing	2.083
Starting motor drive lever and stud	2.108
Starting motor drive shift link	2.113
Starting motor end frame	2.067
Starting motor end frame pin	2.054
Starting motor end oil wick	2.079
Starting motor field coil	2.049
Starting motor housing	2.085
Starting motor solenoid switch parts	2.102
Starting motor switch assy.	2.100
Starting motor thrust washer	2.063
Starting motor washer	2.059
Starting wires	2.525
Static eliminator injector	8.800
Stator cam roller & spring ret.	4.117
Stator over run cam	4.117
Stator over run cam ret. ring	4.117
Stator over run cam thrust washer	4.117
Stator over run roller unit	4.117
Stator race thrust washer, Front & rear	4.117
Steel ball	8.899
Steering and third arm	6.103
Steering and third arm key	6.104
Steering arm ball nut	6.108
Steering column clamp and bracket	6.760
Steering column cowl "U" bolt	6.765
Steering column gearshift control rod swivel and spring	4.017

Steering column gearshift control support	4.018
Steering column gearshift control shaft assembly	4.007
Steering column grommet	6.758
Steering connecting rod and parts	6.970
Steering connecting rod plug	6.881
Steering connecting rod spring	6.876
Steering gear	6.503
Strg. gear adapter "O" ring	6.584
Strg. gear adapter piston rod seal	6.584
Strg. gear ball	6.844
Strg. gear ball nut	6.841
Strg. gear ball return guide	6.842
Strg. gear ball return guide clamp	6.843
Strg. gear bearing assy.	6.521
Strg. gear bolt to frame	6.509
Strg. gear cover	6.609
Strg. gear end cover gasket	6.825
Strg. gear gasket	6.609
Strg. gear housing	6.803
Strg. gear housing cover	6.807
Strg. gear housing end cover	6.824
Strg. gear housing gasket	6.805
Strg. gear housing mtg. plate	6.787
Strg. gear housing side cover gasket	6.809
Strg. gear hyd. check valve assy.	6.553
Strg. gear hyd. cyl. adapter	6.584
Strg. gear hyd. cyl. assy.	6.578
Strg. gear hyd. cyl. piston assy.	6.578
Strg. gear hyd. cyl. piston ring	6.579
Strg. gear hyd. piston rod	6.580
Strg. gear hyd. piston rod nut	6.581
Strg. gear hyd. piston rod washer	6.581
Strg. gear hyd. pump assy.	6.605
Strg. gear hyd. pump body	6.608
Strg. gear hyd. pump cont. valve assy.	6.624
Strg. gear hyd. pump dr. belt	6.659
Strg. gear hyd. pump dr. shaft	6.614, 6.617
Strg. gear hyd. pump dr. shaft brg.	6.615
Strg. gear hyd. pump dr. shaft outer brg. ret. ring	6.616
Strg. gear hyd. pump dr. shaft repair kit	6.615
Strg. gear hyd. pump flow cont. sprg.	6.612
Strg. gear hyd. pump kit	6.608
Strg. gear hyd. pump mtg. brkt.	6.608
Strg. gear hyd. pump plate	6.612
Strg. gear hyd. pump pulley	6.655
Strg. gear hyd. pump reserv. assy.	6.635
Strg. gear hyd. pump reserv. bolt	6.635
Strg. gear hyd. pump reserv. bolt gskt.	6.635
Strg. gear hyd. pump reserv. cover	6.635
Strg. gear hyd. pump reserv. cover ball washer	6.635
Strg. gear hyd. pump reserv. cover gasket	6.635
Strg. gear hyd. pump reserv. guide	6.635
Strg. gear hyd. pump ring	6.611, 6.612
Strg. gear hyd. pump ring dowel pin	6.608
Strg. gear hyd. pump rotor	6.610
Strg. gear hyd. pump seal	6.612
Strg. gear hyd. pump spring	6.612
Strg. gear hyd. pump vane kit	6.610
Strg. gear hyd. valve assy.	6.550
Steering gear hyd. valve bolt	6.679
Strg. gear hyd. valve cover seal	6.555
Strg. gear hyd. valve "O" ring	6.556, 6.674
Strg. gear hyd. valve hose union	6.673
Strg. gear hyd. valve pipe to cyl. elbow	6.879
Strg. gear hyd. worm brg. lock nut	6.531
Strg. gear kit	6.507
Strg. gear lash adjusting shim	6.828
Strg. gear mtg. brkt. & support	7.233
Strg. gear mtg. brkt. cap	7.233
Strg. gear mtg. frame brkt.	6.797
Strg. gear mtg. supt. reinforcement	7.233
Strg. gear pipe	6.677
Strg. gear pitman arm nut	6.681
Strg. gear pitman shaft unit	6.650
Strg. gear power cyl. gasket	6.577

Strg. gear press. & return hose	6.670, 6.671
Strg. gear rack	6.588
Strg. gear rack coupling pin	6.587
Strg. gear rack cover shim	6.591
Strg. gear rack guide	6.590
Strg. gear sector & shaft	6.850
Strg. gear shaft	6.524
Strg. gear shaft brg. kit	6.534
Strg. gear stop rack plate	6.585
Strg. gear stud	6.787
Strg. gear valve centering plunger	6.551
Strg. gear valve centering spring	6.552
Strg. gear vent	6.806
Strg. gear worm bearing	6.808, 6.826
Strg. gear worm seal	6.806
Strg. gear worm thrust adj. & parts	6.532
Steering idler and 3rd. arm assy.	6.179
Steering idler and 3rd. arm shim	6.180
Steering idler and 3rd. arm shaft bushing parts	6.181
Steering idler and 3rd. arm brkt. assy.	6.186
Steering idler and 3rd. arm shaft unit	6.181
Steering knuckle	6.020
Steering knuckle arm	6.103
Steering knuckle arm ball	6.108
Steering knuckle arm nut	6.104
Steering knuckle bushing	6.021
Steering knuckle shaft unit	6.184
Steering knuckle spacer	6.020
Steering knuckle spindle nut	6.022
Steering knuckle spindle washer	6.021
Steering knuckle stop	6.009
Steering knuckle support	6.023
Steering knuckle support and upper arm pivot parts	6.164
Steering knuckle supt. arm, w/sect.	6.168
Steering knuckle support lower arm shaft assembly	6.169
Steering knuckle support lower arm shaft bushing nut	6.170
Steering knuckle support lower arm shaft bolt	6.172
Steering knuckle support lower pivot arm bolt nut	6.174
Steering knuckle supt. arm bumper	6.176
Steering post grommet and seal	6.758
Steering shaft upr. brg. retainer	6.528
Steering shaft upr. brg. spg. & seal	6.528
Steering wheel	6.513
Steering wheel hub cap	2.820
Steering wheel hub cover assy.	2.906
Steering wheel key	6.515
Steering wheel nut and washer	6.515
Steering worm bearing adj. and nut	6.830
Steering worm thrust bearing	6.527, 6.530
Step bolt	8.902
Step hanger, Front, Center and rear	7.016
Step pad, Front fender	8.148
Step unit, Rear	17.565
Stick, Lubricant	8.800
Stick, Trim	12.946
Stop assembly, Front seat adjuster	11.562
Stop, Carb. metering rod hole	3.807
Stop, dr. hdl. push button	16.353
Stop, Gearshift reverse latch	4.033
Stop lamp	2.879
Stop lamp gasket	2.584
Stop lamp lens	2.582
Stop lamp lens, Bottom and upper	2.585
Stop lamp lens retainer	2.591
Stop lamp socket	2.594
Stop lamp socket spring	2.594
Stop lamp switch	2.447
Stop lamp switch terminal screw	2.453
Stop leak, Radiator	8.800
Stop, Rear door ventilator	10.825
Stop, Frt. seat hinge arm	11.375
Stop, Steering knuckle	6.009
Stop, Trans. valve body oil accum. piston	4.217
Stop, Windshield	16.058
Straight pin	6.839
Strap assembly, Battery hanger	2.333
Strap, Battery ground	2.341
Strap, Assist	15.390
Strap, Carb. choke heater	3.750

Strap, Curtain hold up	17.278
Strap, Engine ground	2.348
Strap, Fldg. top power unit banding	14.485
Strap, Gas tank	3.022
Strap, Muffler	3.704
Strap, Rear comp. lid hinge	12.187
Strap, Signal lamp switch mounting	2.906
Strap, Top hold down	13.426
Strap, Wheel carrier	7.778
Striker, Door lock	10.568, 16.935
Striker, Fldg. top front roof rail	14.090
Striker, Instr. panel comp. door lock	10.268, 16.110
Striker, Rear comp. lid and end gate lock	12.237, 17.200
Strip, Center pillar	12.482
Strip, End gate skid	12.195
Strip, End gate lock	12.233
Strip, Rear quarter outer panel finish	13.352
Strut, Parking brake shoe lever	5.150
Strut, Trans. low or reverse brake band	4.233, 4.245
Stud, Accelerator lever	3.582
Stud, Axle shaft to wheel hub	5.422
Stud, Axle shifter vac. power unit mtg.	5.835
Stud, Ball crank	4.019
Stud, Brake booster adapter	3.288
Stud, Distributor terminal	2.400
Stud, Door weatherstrip	10.695
Stud, Door window div. channel adj.	10.704
Stud, End gate hinge	17.209
Stud, Exh. mfd. to exh. pipe flange	8.275
Stud, Folding top front roof rail	14.080
Stud, Floor board	16.545
Stud, Folding top and dust boot	13.384
Stud, Generator	2.313
Stud, Intake and exh. mfd. to head	3.275
Stud, Intake to exhaust manifold	3.275
Stud, Main cyl. attaching	4.664
Stud, Manifold to carburetor	3.288
Stud, Quarter window hinge pivot	11.057
Stud, Rear door sash channel	10.748
Stud, Starting motor	2.077
Stud, Starting motor drive	2.108
Stud, Steering gear	8.797
Stud, Tie rod ball	6.243
Stud, Transmission support	4.087
Stud, Valve rocker arm cover	0.413
Stud, Window run channel	10.704
Sub-body, Headlamp	2.726
Sub-frame side member	7.007
Sub-frame parts	7.008
Sun visor, Outside	10.201, 16.070
Sun visor, Outside	10.201, 16.070
Sunshade adj. sleeve, Nut & washer	10.224
Sunshade assembly, Inside	10.203, 16.070
Sunshade rod grommet	10.224
Sunshade support	10.219
Support, Air cleaner	3.403
Support, Air cleaner hose	3.407
Support Assy., Transmission	4.081
Support, Auxiliary seat back	18.874
Support, Battery hanger	2.333
Support, Body	7.330
Support, Brake cross shaft	4.803
Support, Brake main cylinder	4.648
Support, Brake pull rod	4.820
Support, Bumper grille guard	7.828
Support bumper, Lower end gate	12.212
Support, Carb. power valve	3.794
Support, Control shaft	4.018
Support, Distributor cap spring	2.369
Support, Door check link	10.809
Support, Door window garnish mldg.	11.085
Support, Driver and pass. seat	11.375
Support, Drivers seat locking rod	18.682
Support, Engine rear	7.229
Support, Fldg. top control switch	14.483
Support, Fldg. top front rail handle	14.090
Support, Front door sill plate	11.175
Support, Front fender	8.141
Support, Front license plate guard	7.789
Support, Front seat adjuster rod	11.582
Support, Front seat adj. rear roller	11.583
Support, Front seat hinge arm	11.375
Support, Gas tank	3.015

Support, Hand brake lever	4.688
Support, Headlamp	2.548
Support, Headlining	12.955
Support, Hood panel	8.015
Support, License bracket	2.670
Support, Muffler	3.704
Support, Muffler tail pipe	3.706
Support, Oil pump screen cover	1.664
Support, Parking brake adj. bolt	5.810
Support, Parking brake cross shaft	4.803
Support, Passenger seat back	11.517
Support, Power valve	3.794
Support, Prop. shaft front bearing	5.432
Support, Radiator baffle	1.288
Support, Radiator core	1.270
Support, Radiator grille	1.266
Support, Radiator shell	1.264
Support, Rear bumper deflector	7.833
Support, Rear comp. lid	12.203, 17.202
Support, Rear comp. lid lock end	12.241
Support, Rear door glass channel	10.759
Support, Rear door lock outer	16.330
Support, Rear license	2.870
Support, Rear quarter arm rest	12.884
Support, Reversing switch conn.	2.118
Support, Rope cord end	11.899
Support, Running board mat	8.315
Support, Seat adj. locking rod	11.582
Support shaft inner bearing cover	6.405
Support shaft inner bearing retainer	6.405
Support shaft outer bearing packing	6.401
Support shaft outer bearing seal	6.400
Support, Shock abs. frame brkt.	7.395
Support, Steering knuckle	6.023
Support, Steering column	6.760
Support, Strg. col. gearshift control	4.018
Support, Strg. gear mtg. bracket	7.233
Support, Sub-frame	7.008
Support, Sunshade	10.219
Support, Tail lamp bracket	2.865
Support, Tail lamp license	2.652
Support, Toe board	16.548
Support, Transmission mtg.	4.081
Support, Trans. rear bearing	4.317
Support, Valve rocker arm shaft	0.349
Support, Wheel carrier cross	7.782
Support, Windshield wiper motor	16.065
Switch assembly, Starting motor	2.100
Switch, Back-up lamp	2.897
Switch, Dimmer	2.459
Switch, Dome lamp	11.835, 16.488
Switch, Dome lamp door jamb	11.950
Switch, Folding top motor	14.483
Switch, Hot water heater	6.852
Switch, Ignition	2.188
Switch, Inst. panel comp. light	10.275, 16.100
Switch, Instrument lamp dimmer	2.785
Switch, Lighting	2.485
Switch, Signal lamp	2.895
Switch, Tail and stop lamp	2.447, 16.160
Switch, Trans. control safety	4.054
Swivel, Accelerator front rod	3.425
Swivel, Gearshift lever	4.008
Swivel, Gearshift selector	4.020
Swivel, Strg. col. control rod	4.017
Synchronizer cone, 3rd. speed gear, Trans.	4.384
Synchronizer energizing spring and pin, Trans.	4.413
Synchronizing clutch and ring assy., Trans.	4.380
Synchronizing clutch hub and drum, Trans.	4.384
Synchronizing ring retainer, Trans.	4.381
Synchronizing ring, Trans.	4.383
T	
Tab, Door trim pad replacement	10.357
Tail and stop lamp door	2.681
Tail and stop lamp door screw	2.688
Tail and stop lamp medallion	2.680
Tail and stop lamp reflex	2.689
Tail and stop lamp socket	2.594



Tail and stop lamp socket gasket.....	2.694	Top hold down strap .....	13.426	Trans. front servo valve.....	4.226
Tail and stop lamp socket spring.....	2.694	Top inner panel .....	12.810	Trans. front servo washer.....	4.226
Tail lamp .....	2.679	Top lining .....	15.530	Trans. gasket unit.....	4.005
Tail lamp bracket .....	2.664	Top lining panel .....	16.742	Trans. gearshift bar .....	4.305
Tail lamp bracket support .....	2.685	Top lining panel cap & screw .....	16.742	Trans. gearshift oper. shaft & parts ..	4.107
Tail lamp bracket support rmt. ....	2.670	Top lining panel retainer .....	16.745	Trans. governor assy. ....	4.258
Tail lamp cable bracket.....	2.682, 2.666	Top slot .....	12.482	Trans. governor cover & gasket.....	4.256
Tail lamp, Center .....	2.700	Top valance .....	13.937	Trans. governor drive flange.....	5.545
Tail lamp door nut.....	2.688	Torque converter anchor nut.....	4.115	Trans. governor sleeve oil seal ring..	4.256
Tail lamp gasket .....	2.684	Torque converter cover hub bushing..	4.115	Trans. housing side cover gasket ..	4.109
Tail lamp lens .....	2.682, 2.695	Torque converter cover to		Trans. hyd. modulator housing.....	4.208
Tail lamp lens retainer, Nut and screw	2.891	flywheel bolt .....	4.115	Trans. input shaft & parts .....	4.123
Tail lamp link.....	2.884	Torque converter cover to		Trans. line exhaust valve.....	4.106
Tail lamp outlook lens gasket.....	2.685	housing bolt .....	4.115	Trans. lo & drive body and plate.....	4.265
Tail lamp pad .....	2.860	Torque converter cover to housing nut	4.115	Trans. lo & drive reg. valve cap.....	4.265
Tail lamp reflex lens.....	2.889	Torque converter primary bolt.....	4.115	Trans. lo & drive reg. valve sleeve...	4.285
Tail lamp rim .....	2.681	Torque converter primary pump.....	4.115	Trans. lo & drive valve spring unit...	4.216
Tail lamp switch .....	2.447, 16.160	Torque converter pump thrust washer	4.115	Trans. lo band adj. screw cover.....	4.253
Tail pipe bracket grommet and ins. ...	3.709	Torque converter ret. ring & washer..	4.112	Trans. lo or rev. band adj. scr. & nut..	4.253
Tank, Gasoline .....	3.001	Torque converter stator assy.....	4.119	Trans. lo or rev. brake band.....	4.251
Tank, Vac. brake cyl. reserve.....	4.902	Torque converter stator race.....	4.119	Trans. lo or rev. brake	
Tap and clip, Windshield regulator..	16.045	Torque converter turbine		band strut .....	4.233, 4.246
Tappet, Valve .....	0.459	thrust washer .....	4.115	Trans. lo or rev. brake band	
Tar remover .....	8.800	Torus assy., Trans. fluid coupling....	4.121	strut anchor .....	4.233, 4.246
Tea, Crankcase vent. to valve pipe ..	1.745	Track assembly, Wheel carrier .....	7.779	Trans. lo or rev. servo	
Tea, gearshift cylinder .....	4.048	Track, Seat adjuster .....	11.573, 16.882	piston & parts .....	4.228, 4.241
Tea nut .....	8.925	Trans. 2nd and 3rd speed clutch		Trans. lo sun gear and clutch flange..	4.182
Tea, Vac. brake check valve.....	4.955	sleeve .....	4.399	Trans. lubrication by-pass spring ...	4.218
Tea, Vac. control and W/S wiper....	2.017	Trans. and Link, W/shield wiper .....	10.159	Trans. lubrication by-pass valve	
Tea, W/s wiper manifold .....	3.278, 10.154	Trans. apply strut guide spring .....	4.233	therm. ....	4.216
Terminal, Generator .....	2.313	Trans. assy. ....	4.003	Trans. main drive gear .....	4.351
Terminal, Horn button .....	2.819	Trans. band lever .....	4.236	Trans. main drive gear bearing .....	4.355
Terminal, Lighting .....	2.530	Trans. brake drum .....	4.169, 4.187	Trans. main drive gear brg. lock plate	4.358
Terminal nut .....	2.400	Trans. brake gear .....	4.187	Trans. main drive gear brg. oil	
Terminal, Spark plug wire.....	2.257	Trans. by-pass valve therm. ret. ....	4.216	slinger & deflector .....	4.374
Thermostat, Exh. mfd. heat control ..	3.640	Trans. case .....	4.103	Trans. main drive gear brg. ret. bolt ..	4.356
Thermostat housing .....	1.251	Trans. case chip collector .....	4.105	Trans. main drive gear brg. ret.	
Thermostat housing gasket .....	1.252	Trans. case cover .....	4.105	gasket .....	4.359
Thermostat, Radiator .....	1.246	Trans. case cover gasket .....	4.109	Trans. main drive gear brg. ring .....	4.376
Thermostat, Trans.		Trans. case rear bushing .....	4.104	Trans. main drive gear brg. washer...	4.376
lubrication by-pass valve .....	4.218	Trans. case to clutch hsg. shim .....	4.104	Trans. main drive gear retainer .....	4.358
Thimble, Headlining wire to roof rail.	12.954	Trans. case to housing bolt .....	4.104	Trans. main gear bearing lock .....	4.375
Throttle and accel. lever bushing....	3.582	Trans. clutch assy. ....	4.164	Trans. main shaft .....	4.403
Throttle and accel. lever washer....	3.582	Trans. clutch drive hub.....	4.164, 4.186	Trans. main shaft bearing .....	4.408
Throttle control lever.....	3.580	Trans. clutch drum &		Trans. main shaft bushing .....	4.352
Throttle control outer lever.....	4.286	parts .....	4.162, 4.169, 4.164	Trans. main shaft nut.....	4.179
Throttle control rod swivel.....	3.425	Trans. clutch exh. cover plate.....	4.265	Trans. main shaft pilot brg. roller ret.	4.352
Throttle rod .....	3.481	Trans. clutch gear brg. oil slinger ...	4.357	Trans. main shaft rear brg. roller....	4.352
Thrower, Crankshaft oil .....	0.847	Trans. clutch low servo valve.....	4.216	Trans. main shaft roller spacer.....	4.352
Thrust pad, Ring gear .....	5.533	Trans. clutch piston & ring seal .....	4.168	Trans. main shaft washer.....	4.173, 4.404
Tie bar, Engine support .....	7.230	Trans. clutch plate .....	4.163	Trans. manual valve parts .....	4.218
Tie rod ball stud.....	5.243	Trans. clutch washer .....	4.188	Trans. modulator control parts .....	4.208
Tie rod dust cover and seal.....	6.111	Trans. control indicator & parts .....	4.038	Trans. mounting shim .....	4.084
Tie rod dust cover packing .....	6.117	Trans. control safety switch .....	4.054	Trans. mounting stud and bolt .....	4.087
Tie rod dust cover seat.....	6.114	Trans. control shaft .....	4.007	Trans. mounting supt. bolt lock .....	4.088
Tie rod dust seal spring .....	6.112	Trans. control shaft hole cover.....	10.252	Trans. oil control valve parts.....	4.265
Tie rod dust seal seat.....	6.115	Trans. control upper support cover....	4.038	Trans. oil cooler .....	4.128
Tie rod end assy. ....	6.233	Trans. counter gear rear brg. oil		Trans. oil filler parts .....	4.133
Tie rod end clamp.....	6.234	deflector .....	4.422	Trans. oil indicator w/cap.....	4.133
Tie rod end plug .....	6.255	Trans. counter gear thrust washer....	4.423	Trans. oil pan.....	4.195
Tie rod, Front axle .....	6.230	Trans. countershaft .....	4.428	Trans. oil pan gasket.....	4.196
Tie rod safety rivet .....	6.255	Trans. countershaft bearing .....	4.422	Trans. oil pump bolt.....	4.203
Tie rod seat .....	6.255	Trans. countershaft brg. spacer.....	4.422	Trans. oil pump check valve .....	4.216
Tie rod spring.....	6.255	Trans. countershaft gear.....	4.421	Trans. oil pump driven gear.....	4.211
Tie rod spring seat .....	6.255	Trans. countershaft gear bushing ...	4.422	Trans. oil supply pump .....	4.200
Timing gear oil nozzle.....	0.748	Trans. countershaft gear ret. ring ...	4.422	Trans. oil supply pump cover .....	4.203
Tipon kit, Paint .....	8.800	Trans. countershaft key .....	4.429	Trans. parking brake anchor.....	4.294
Tire carrier lock assy.....	7.875	Trans. countershaft spacer .....	4.426	Trans. parking brake pawl.....	4.294
Tire lock case and key .....	7.679	Trans. countershaft washer.....	4.422	Trans. output shaft brg.....	4.408
Tire lock cylinder .....	7.680	Trans. cover plate assy. ....	4.105	Trans. parking brake bolt.....	4.294
Tire locking ring .....	5.839	Transmission detent lever assy.....	4.279	Trans. parking brake bracket assy....	4.290
Tire whitewall cleaner .....	8.900	Trans. detent valve spring .....	4.265	Trans. parking brake lock.....	4.284
Tissue dispenser .....	8.891	Trans. end plate screw .....	4.265	Trans. parking brake lock parts.....	4.220
Toe and floor board mat .....	15.286, 18.900	Trans. 1st, 2nd, & rev. gear .....	4.417	Trans. parking brake pawl.....	4.284
Toe board .....	16.544	Trans. fluid, Automatic .....	4.101	Trans. piston release spng. & parts ...	4.164
Toe board plate .....	12.585, 16.546	Trans. fluid coupling check valve....	4.121	Trans. planet carrier.....	4.161, 4.175, 4.192
Toe board support .....	18.548	Trans. fluid coupling torus assy.....	4.121	Trans. power take-off cover .....	4.439
Tool box cover .....	17.230	Trans. fluid coupling valve ret. bolt..	4.121	Trans. power take-off cover gasket ..	4.440
Tools, Wheel & tire .....	8.821	Trans. front drive gear.....	4.158	Trans. pressure relief valve .....	4.216
Top assembly .....	17.060	Trans. front oil pump parts .....	4.203	Trans. pressure reg. valve spring ...	4.216
Top binding end clip .....	13.842	Trans. front pump key.....	4.226	Trans. primary pump & parts .....	4.115
Top bow .....	16.745	Trans. front servo body.....	4.228	Trans. pump drive gear.....	4.210
Top covering material .....	15.480	Trans. front servo bolt.....	4.226	Trans. pump gasket.....	4.223
Top dust boot .....	13.450	Trans. front servo guide.....	4.226	Trans. rear bearing cap, supt. & ret...	4.317
Top dust boot retainer bay .....	13.450	Trans. front servo over run body assy.	4.227		
Top hold down footman loop .....	13.428	Trans. front servo over run valve....	4.227		

Trans. rear brg. ret. attach. bolt.....	4.317
Trans. rear bearing ret. supt. plug.....	4.317
Trans. rear bearing oil seal.....	4.318
Trans. rear bearing ret. gasket.....	4.318
Trans. rear bearing locating ring.....	4.412
Trans. rear bearing retainer lock.....	4.412
Trans. rear brg. supt. gasket.....	4.318
Trans. rr. oil pan plug gasket.....	4.185
Trans. rear oil pump bearing & gskt.....	4.203
Trans. rear servo accum. body assy.....	4.250
Trans. rear servo accum. valve.....	4.250
Trans. rear servo accum. body gskt.....	4.239
Trans. rear servo accum. ring.....	4.128
Trans. reg. valve cap ret. ring.....	4.265
Trans. rev. clutch retainer.....	4.189
Trans. rev. servo piston spring ret. & key.....	4.241
Trans. reverse brake band link & pin.....	4.246
Trans. reverse band lever & lock.....	4.246
Trans. rev. clutch cone.....	4.189
Trans. rev. clutch key.....	4.189
Trans. reverse idler gear.....	4.430
Trans. reverse idler gear bush.....	4.431
Trans. reverse idler shaft.....	4.433
Trans. reverse idler shaft parts.....	4.435
Trans. reverse servo piston rod.....	4.241
Trans. reverse shifter lever eccentric.....	4.302
Trans. reverse shifter lever nut.....	4.302
Trans. reverse shifter lever nut lock.....	4.302
Trans. reverse shifter lever unit.....	4.302
Trans. reverse shifter pin.....	4.307
Trans. seal unit.....	4.005
Trans. sec. pump overrun thrust washer.....	4.112
Trans. second speed gear.....	4.395
Trans. second speed gear rat.....	4.397
Trans. sec. pump roller unit & ret.....	4.112
Trans. servo cover and parts.....	4.212
Trans. servo cylinder.....	4.225
Trans. shift valve.....	4.234
Trans. shifter lever.....	4.041
Trans. shifter yoke ball.....	4.303
Trans. shifter yoke lock ball spg.....	4.307
Trans. sliding gear.....	4.415
Trans. spline shaft pilot brg.....	4.352
Trans. spline shaft brg. spacer.....	4.409
Trans. spline shaft brg. sleeve.....	4.409
Trans. stator overrun roller unit.....	4.117
Trans. stator race parts.....	4.112
Trans. stator roller & spring ret.....	4.117
Trans. stator thrust washer.....	4.117
Trans. stator thrust snap ring.....	4.117
Trans. sun gear flange ret. ring.....	4.162
Trans. sun gear thrust washer.....	4.162
Trans. support assy.....	4.081
Trans. support guide plate assy.....	4.083
Trans. support mounting.....	4.081
Trans. support mounting bracket.....	4.083
Trans. support mounting shield.....	4.085
Trans. support retainer.....	4.083
Trans. synchronizing spring.....	4.419
Trans. therm. valve spring plug.....	4.216
Trans. therm. valve sprg. plug gskt.....	4.216
Trans. third speed bushing.....	4.399
Trans. throttle spring.....	4.256
Trans. throttle valve cont. outer lever.....	4.041
Trans. throttle valve cont. outer lever clamp.....	4.041
Trans. throttle valve cont. spring unit.....	4.265
Trans. throttle valve inner lever adj. scr.....	4.278
Trans. throttle valve lever assy.....	4.278
Trans. throttle valve lever shaft seal shield.....	4.278
Trans. thrust washer.....	4.129
Trans. thrust washer kit.....	4.004
Trans. torq. converter press. reg. valve sprg.....	4.216
Trans. torq converter primary pump, turbine & parts.....	4.115
Trans. torq converter sec. pump.....	4.110
Trans. universal joint washer.....	4.404
Trans. vacuum modulator parts.....	4.205
Trans. valve body.....	4.218
Trans. valve body accumulator parts.....	4.217

Trans. valve pressure reg. plug gasket.....	4.216
Transfer, Body exterior.....	10.354
Transfer, End gate inner.....	12.195
Transfer, Instrument panel.....	10.232
Transformer, Automatic hdlp. control.....	2.461
Tray, Arm rest ash.....	12.045
Tray, Ash receiver.....	12.013, 16.120
Trim assembly, Folding top cover.....	13.347
Trim assy., Back of frt. seat back.....	14.810
Trim assy., Body center pillar.....	14.730
Trim assy., Center seat side panel.....	14.976
Trim assy., Fldg. top side roof rail.....	13.349
Trim assy., Frt. seat back.....	14.800, 14.900
Trim assy., Frt. seat bottom frame.....	14.860
Trim assy., Frt. seat cushion.....	14.880, 16.717
Trim assy., Frt. seat side and back side panel.....	14.860
Trim assy., Frt. seat side panel.....	14.860
Trim assy., Headlining.....	14.640
Trim assy., Quarter upper.....	15.100
Trim assy., Quarter lower.....	15.100
Trim assy., Qtr. arm rest.....	15.110
Trim assy., Rear seat detachable back.....	15.000
Trim assy., Rear seat back comp. shell.....	15.024
Trim assy., Rear seat cushion.....	15.035
Trim assy., Pass. seat cushion.....	14.970
Trim assy., Seat back.....	16.724
Trim assy., Windshield header.....	14.650
Trim attaching screw.....	15.275
Trim, Center seat back.....	14.800, 14.976
Trim, Center seat cushion.....	14.800, 16.717, 14.876
Trim, Driver seat cushion.....	14.930
Trim, Horn button cup.....	2.920
Trim pad assy., Frt. door, Lower.....	14.685
Trim pad assy., Rear door, lower.....	14.780
Trim pad, Cowl.....	14.630, 16.700
Trim panel assy., Side.....	15.263
Trim panel, Door inside.....	16.185
Trim panel, Inner.....	17.165
Trim panel mldg. and filler, Side.....	15.264
Trim panel, Moulding, Body side.....	17.116
Trim panel, Quarter outer.....	12.944
Trim retainer, Side roof rail.....	14.651
Trim stick.....	12.946
Trunk guard parts.....	7.830
Trunnion bearing lock plate.....	5.569
Trunnion brg. lock ring.....	5.586
Trunnion, End gate hinge.....	17.625
Trunnion, Gearshift vac. cyl. piston valve.....	4.079
Trunnion, Universal joint.....	5.578
Tru-stop brake parts.....	5.606
Tube, Automatic headlamp control.....	2.461
Tube, Carb. choke suction.....	3.750
Tube, Folding top hydraulic.....	14.472
Tube, Oil level rod.....	1.516
Tube, Rear quarter vent. drain.....	10.987
Tube, Trans. oil filler.....	4.133
Tube, Vac. power brake cyl. body.....	4.936
Tubing, Copper.....	8.964
Tubing, Windshield wiper.....	10.155
Tumbler unit, Door lock cylinder.....	10.553
Turbine, Trans. torq converter.....	4.115
Turret top roof panel.....	12.810
Turret top roof insulation.....	12.812

U

"U" bolt, Exhaust pipe clamp.....	3.708
"U" bolt, Front spring.....	7.417
"U" bolt, Front stabilizer shaft.....	7.242
"U" bolt, Muffler.....	3.708
"U" bolt, Rear Axle gearshift cable.....	5.626
"U" bolt, Rear spring.....	7.516
"U" bolt, Steering column cowl.....	6.785
"U" bolt, Strg. col. shift control.....	4.016
"U" bolt, Trunnion brg.....	5.595
"U" joint flange to parking brake drum bolt.....	5.583
"U" joint sleeve yoke dust cap.....	5.556
"U" joint trunnion brg. lock ring.....	5.586
Undercoat, body.....	8.800

Underhood lamp.....	8.890
Underpan, Flywheel.....	0.679
Unit, Valve rocker shaft.....	0.352
Universal joint assy.....	5.548
Universal joint ball.....	5.564
Universal joint ball collar.....	5.565
Universal joint ball collar seal.....	5.572
Universal joint ball packing.....	5.580
Universal joint ball ret. shim.....	5.587
Universal joint ball retainer.....	5.578
Universal joint flange.....	5.555
Universal joint ring.....	5.574
Universal joint ring bolt.....	5.563
Universal joint seal.....	4.318
Universal joint sleeve yoke & flg.....	5.555
Universal joint sleeve yoke plug.....	5.556
Universal joint sleeve yoke washer.....	5.558
Universal joint spacer.....	5.579
Universal joint trunnion.....	5.578
Universal joint trunnion gskt. ret.....	5.560
Universal joint yoke bearing.....	5.568
Upholstery cleaner.....	8.800
Upholstery, Seat, door & sidewall.....	15.500
Upper end gate moulding.....	12.180

V

Vac. brake check valve and parts.....	4.955
Vac. brake cyl.....	4.901
Vac. brake cyl. air cleaner and parts.....	4.913
Vac. brake cyl. body tube.....	4.936
Vac. brake cyl. brace, brkt. & conn.....	4.898
Vac. brake cyl. elbow and hose.....	4.931
Vac. brake cyl. end plate.....	4.904
Vac. brake cyl. end plug gasket.....	4.910
Vac. brake cyl. gasket.....	4.904
Vac. brake cyl. hook bolt.....	4.911
Vac. brake cyl. parts.....	4.898, 4.955
Vac. brake cyl. pipe and fitting.....	4.930
Vac. brake cyl. pipe fitting adapter.....	4.957
Vac. brake cyl. piston.....	4.922
Vac. brake cyl. piston cup.....	4.916
Vac. brake cyl. piston return strg.....	4.924
Vac. brake cyl. piston push rod bush.....	4.924
Vac. brake cyl. piston push rod collar.....	4.924
Vac. brake cyl. piston rod.....	4.924
Vac. brake cyl. piston stop washer.....	4.917, 4.942
Vac. brake cyl. plate.....	4.947
Vac. brake cyl. push rod guide seal.....	4.926
Vac. brake cyl. push rod pin.....	4.926
Vac. brake cyl. relay breather cap.....	4.936
Vac. brake cyl. relay valve parts.....	4.944
Vac. brake cyl. relay valve piston.....	4.935
Vac. brake cyl. relay valve sprg.....	4.917
Vac. brake cyl. shell.....	4.906
Vac. brake cyl. valve and piston stop ret. ring.....	4.942
Vac. brake cyl. valve body and gskt.....	4.940
Vac. brake cyl. valve body cover gasket.....	4.917
Vac. brake cyl. valve poppet sprg.....	4.917
Vac. brake cyl. valve seat sprg.....	4.917
Vac. brake hyd. cyl. end plug.....	4.910
Vac. brake hyd. cyl. pipe fitting adapter gskt.....	4.957
Vac. brake hyd. cyl. piston.....	4.915
Vac. brake hyd. cyl. piston sprg.....	4.917
Vac. brake hyd. cyl. piston sprg. ret.....	4.917
Vac. brake hyd. cyl. repair kit.....	4.907
Vac. brake hyd. cyl. tube nut.....	4.907
Vac. brake hyd. cyl. tube seal.....	4.910
Vac. brake hyd. cyl. valve seal.....	4.910
Vac. brake hyd. cyl. valve snap ring.....	4.917
Vac. brake mfd. connector.....	3.278
Vac. brake push rod ret. gasket.....	4.910
Vac. brake push rod seal.....	4.910
Vac. brake push rod washer.....	4.917
Vac. brake relay control valve diaph.....	4.947
Vac. brake relay valve hyd. piston cup.....	4.942
Vacuum control coupling gasket.....	2.017
Vacuum control, Distributor.....	2.618
Vacuum cyl. piston rod boot.....	4.044

Vacuum shift & brk. check valve & parts	5.645
Vacuum shift diaph. assy., 2-spd.	5.635
Valance, Top	13.337
Valve, Air flow heater rance	9.795
Valve assy., air flow ventilator	9.810
Valve assy., Fldg. top control	14.485
Valve assy., Steering gear hydraulic	6.550
Valve, Axle gearshift selector	5.636
Valve, Carb. choke	3.751
Valve, Carb. step-up check	3.862
Valve, Carburetor throttle	3.758
Valve, Crankcase ventilator	1.745
Valve, Driver seat cushion	16.715
Valve, Exhaust	0.297
Valve, Fldg. top pump	14.482
Valve, Gearshift vac. power cyl.	4.072
Valve grinding compound	8.800
Valve, Inlet	0.298
Valve, Main cylinder	4.657
Valve, Oil distributor	1.787
Valve, Oil pump relief	1.671
Valve push rod	0.426
Valve push rod cover	0.439
Valve push rod cover gasket	0.443
Valve push rod cover seal	0.454
Valve push rod seal	0.459
Valve rocker arm	0.333
Valve rocker arm adj. nut & scr.	0.429
Valve rocker arm bushing	0.334
Valve rocker arm cover & air cleaner	0.386
Valve rocker arm cover gasket	0.423
Valve rocker arm cover insulator	0.390
Valve rocker arm shaft	0.353
Valve rocker arm shaft plug	0.356
Valve rocker arm shaft support	0.349
Valve rocker cover gasket	0.423
Valve rocker cover parts	0.390
Valve rocker shaft spring	0.376
Valve rocker shaft support bolt	0.366
Valve rocker shaft support washer	0.373
Valve rocker shaft unit	0.352
Valve rotator	0.308
Valve, Shock absorber	7.346
Valve spring	0.303
Valve spring cap	0.309
Valve spring cap cover	0.308
Valve spring seat	0.311
Valve stem guide	0.286
Valve stem guide collar	0.287
Valve stem key	0.310
Valve tappet	0.459
Valve tappet spring	0.503
Valve tappet spring ret. & seat	0.506
Valve, Trans. fluid coupling check	4.121
Valve, Trans. frt. servo over run	4.227
Valve, Trans. frt. servo	4.226
Valve, Trans. line exhaust	4.106
Valve, Trans. oil control	4.265
Valve, Trans. oil pump check	4.216
Valve, Trans. pressure relief	4.216
Valve, Trans. r. servo accumulator	4.250
Valve, Trans. shift	4.234
Valve, Trans. valve body accumulator	4.217
Valve unit, Trans. clutch drum press. release	4.169
Valve, Vac. power brake check	4.955
Valve, Wheel cylinder bleeder	4.668
Vanity mirror	10.185
Vent, Carburetor nozzle	3.777
Vent, Steering gear	6.806
Ventilator Assy., Crankcase	1.745
Ventilator assy., Front door	10.650
Ventilator assy., Side door	16.173
Ventilator locking handle washer	16.176
Ventilator parts, Front door	10.670
Ventilator, Rear axle	5.387
Ventilator, Rear door	10.820
Ventilator regulator, Front door	10.661
Ventshade Unit, window	8.694
Vibrator Assy., Automatic hdlp. cntl.	2.461
Visor, Inside sun	10.203, 16.070
Visor, Outside sun	10.201
Voltage regulator	2.500

W

Washer, Accelerator rod seal	3.469
Washer, Assist strap	15.394
Washer, Axle shaft	5.422
Washer, Battery positive ter. felt	2.345
Washer, Body side	8.134, 17.110
Washer, Brake cylinder attach.	4.684
Washer, Brake inlet connector	4.671
Washer, Brake shoe anchor pin	5.056
Washer, Brake shoe hold down bolt	5.043
Washer, Carburetor float lever	3.747
Washer, Ck/shaft brg. cap bolt	0.060
Washer, Ck/shaft frt. end cover	0.206
Washer, Clutch pedal rear shaft	0.837
Washer, Cowl belt	12.110
Washer, Cowl vent. adj. link to hinge plate	10.336, 16.135
Washer, Diff. pinion thrust	5.542
Washer, Diff. side gear thrust	5.543
Washer, Distributor terminal stud	2.401
Washer, Door check link	10.627
Washer, Door hdl. push button spg.	10.529
Washer, Door handle push button and lock cyl.	10.552
Washer, Door inside locking rod	10.565
Washer, Door lock inside handle	10.517
Washer, Door outside handle safety screw	10.546
Washer, Door remote control handle	16.345
Washer, Door glass sash chnl.	16.190
Washer, Door window reg. handle	16.280
Washer, Driver's seat back hinge link	16.686
Washer, Electrolock	2.196
Washer, Emblem	12.118
Washer, End gate hinge	17.208
Washer, Engine mounting	0.002
Washer, Felt	8.927
Washer, Fldg. top motor	14.482
Washer, Fldg. top side rail control link	14.155
Washer, Front fender	8.143
Washer, Front spring shackle	7.443
Washer, Gearshift control rod swivel	4.020
Washer, Generator	2.313
Washer, Generator drive end	2.307
Washer, Hand brake lever	4.605
Washer, Lock	8.931, 8.932
Washer, Main cylinder attach.	4.657, 4.664
Washer, Manifold	3.276
Washer, Manifold heat control valve	3.654
Washer, Muffler support brkt.	3.707
Washer, Oil distributor body	1.785
Washer, Oil pump thrust	1.666
Washer, Park. brake lever anchor bolt	5.158
Washer, Pinion shaft bearing	5.460
Washer, Pitman shaft	6.855
Washer, Plain	8.928
Washer, Propeller shaft bearing	5.439
Washer, Prop. shaft pinion	5.545
Washer, Quarter belt moulding	12.118
Washer, Rear comp. lid emblem	12.183
Washer, Rear comp. lid hinge strap	12.199
Washer, Rear comp. lid lock	12.250
Washer, Rear license mldg. ret.	2.704
Washer, Rear spring shackle	7.443
Washer, Rear wheel hub nut	5.830
Washer, Reverse idler gear thrust	4.482
Washer, Shock absorber	7.371
Washer, Shock abs. axle fitting	7.371
Washer, Spring	8.928
Washer, Stake and stock rack	17.522
Washer, Starting motor terminal	2.059
Washer, Starting motor thrust	2.063
Washer, Steering knuckle spindle	6.321
Washer, Steering wheel to gear	6.515
Washer, Steering gear worm thrust	6.532
Washer, Tail pipe support bracket	3.709
Washer, Tie rod dust seal	6.115
Washer, Throttle and accel. lever	3.582
Washer, Torq converter retaining	4.112
Washer, Trans. 2nd. speed gear	4.398
Washer, Trans. clutch	4.168
Washer, Trans. frt. servo	4.226
Washer, Trans. clutch drum thrust	4.168

Washer, Trans. counter gear thrust	4.423
Washer, Trans. countershaft	4.422
Washer, Trans. main dr. gear brg. oil ret.	4.374
Washer, Trans. main dr. gear brg.	4.376
Washer, Trans. main shaft	4.173, 4.404
Washer, Trans. operating lever link	4.043
Washer, Trans. rev. idler gear thrust	4.432
Washer, Trans. sec. pump overrun thrust	4.112
Washer, Trans. spline shaft bearing	4.409
Washer, Trans. stator race thrust	4.112
Washer, Trans. stator thrust	4.117
Washer, Trans. sun gear thrust	4.162
Washer, Trans. thrust	4.129
Washer, Trans. turbine thrust	4.115
Washer, Trans. turbine bolt	4.115
Washer, Trans. universal joint	4.404
Washer, Trans. valve body oil accum. valve spring	4.217
Washer unit, Knuckle thrust	6.210
Washer unit, Windshield	8.798
Washer, Universal joint ball	5.576
Washer, Universal joint sleeve yoke	5.556
Washer, Vac. brake push rod	4.917
Washer, Vac. brake hyd. cyl. piston stop	4.917, 4.942
Washer, Vac. brake check valve	4.955
Washer, Valve rocker shaft support	0.373
Washer, Valve rocker arm shaft oil	1.928
Washer, Ventilator lock handle	16.176
Washer, W/S lower reveal mldg.	10.096
Washer, W/S reg. handle filler	10.119
Washer, Water pump rotor thrust	1.076
Washer, Wheel hub nut	5.830
Washer, Windshield	8.798
Washer, Windshield wiper trans.	10.152
Washer, Windshield reg. handle	16.053
Water deflector	13.352
Water deflector, Door panel	10.471
Water, Filter unit	1.174
Water jacket plug	1.146
Water outlet	1.153
Water outlet gasket	1.154
Water pump assy.	1.069
Water pump back plate	1.113
Water pump body bushing	1.074
Water pump body gasket	1.114
Water pump gasket	1.079
Water pump packing	1.133
Water pump packing nut	1.129
Water pump packing spacer	1.132
Water pump pulley	1.062
Water pump repair kit	1.071
Water pump rotor thrust washer	1.076
Water pump rotor baffle	1.081
Water pump shaft	1.108
Water temperature gauge	1.148
Wax, Body	8.800
Weathercord assy., Door opening	14.665, 14.735
Weathercord, Body hinge pillar	14.885
Weathercord, Body lock pillar	14.735
Weathercord, Door	15.520
W/strip, Back window	16.469, 16.470
W/strip, Cowl ventilator	16.140
W/strip, Door opening	10.694, 16.225
W/strip, Door glass lwr. sash channel	10.696
W/strip, Door header	16.223
W/strip Dr. vent div. chnl.	10.829
W/strip, Door window garnish mldg.	11.084, 11.102, 16.290
W/strip, Door window front	16.183, 16.470
W/strip, Door window glass	16.183
W/strip, End gate and rear comp.	12.269, 17.185, 17.190
W/strip, End gate glass	17.190
W/strip, Fldg. top front roof rail	14.060
W/strip, Fldg. top side roof rail	14.120, 14.180, 14.260
W/strip, Front door ventilator	10.652
W/strip, Front door window outer	10.710
W/strip, Partition window glass	16.469
W/strip, Qu. window garnish mldg.	11.118



W/strip, Qtr. window glass.....11.015  
W/strip, Qtr. wind. lwr. sash channel 11.027  
W/strip, Qtr. window sealing ..... 11.021  
W/strip, Rear door window.....10.774  
W/strip, Rear door vent.....10.822  
W/strip, Rear comp. pan.....12.987  
W/strip, Side dr. vent. glass, Front ..18.175  
W/strip, Side roof rail  
10.721, 14.120, 14.190, 14.280  
W/strip, Side window.....17.136  
W/strip, Windshield .....16.040  
W/strip, Windshield side rail.....14.115  
Wedge, Direction signal lamp ..... 6.512  
Wedge plate, Door dovetail  
bumper .....10.584, 18.420  
Weight, Distributor ..... 2.388  
Weight, Exh. mfd. valve shaft..... 3.655  
Welch plug ..... 8.970  
Wrench, Wheel and tire..... 8.821  
Wheel bearing ball and  
separator ..... 8.319, 8.319  
Wheel bearing felt & packing, front.. 8.326  
Wheel bearing spacer ..... 6.326  
Wheel brake cylinder boot..... 4.670  
Wheel carrier ..... 7.751  
Wheel carrier brace ..... 7.782  
Wheel carrier bracket ..... 7.751  
Wheel carrier bolt ..... 7.832  
Wheel carrier clamp bolt extension .. 7.632  
Wheel carrier clamp ..... 7.629  
Wheel carrier clamp ball ..... 7.832  
Wheel carrier clamp pin ..... 7.632  
Wheel carrier cross support ..... 7.782  
Wheel carrier centering plate..... 7.783  
Wheel carrier lock assy..... 7.675  
Wheel carrier nut ..... 7.633  
Wheel carrier plate ..... 7.751  
Wheel carrier roller..... 7.780  
Wheel carrier spacer ..... 7.751  
Wheel carrier strap..... 7.778  
Wheel carrier strap bracket ..... 7.780  
Wheel carrier track assy..... 7.779  
Wheel carrier track bracket ..... 7.780  
Wheel carrier track member..... 7.782  
Wheel carrier tire guide ..... 7.783  
Wheel cover mldg. and parts, Rear.. 8.178  
Wheel cover panel, Rear..... 8.175  
Wheel cover panel retainer, Rear ... 8.176  
Wheel cover panel seal..... 8.177  
Wheel cylinder bleeder screw..... 4.866  
Wheel cyl. adj. pinion shaft & spring. 4.678  
Wheel cover and trim ring ..... 5.871  
Wheel, Front and rear..... 5.803  
Wheel hub clamp ring..... 5.820  
Wheel hub deflector..... 8.323  
Wheel hub, Front..... 6.307  
Wheel hub nut..... 5.813  
Wheel hub nut lock..... 5.830  
Wheel hub nut washer..... 5.830  
Wheel hub oil deflector..... 5.815  
Wheel hub oil seal..... 5.822  
Wheel hub, Rear ..... 5.806  
Wheel hub spacer..... 5.811  
Wheel inner bearing, Front..... 6.311  
Wheel inner bearing cone, Front..... 6.314  
Wheel inner bearing cup, Front..... 6.316  
Wheel lock housing ..... 7.879  
Wheel lock plunger ..... 7.880

Wheel lock nut ..... 7.633  
Wheel lock spring ..... 7.680  
Wheel locking ring ..... 5.839  
Wheel outer bearing, Front..... 6.313  
Wheel outer bearing cone, Front.... 6.315  
Wheel outer bearing cup, Front..... 6.317  
Wheel, Steering ..... 5.513  
Wheelhouse access hole cover &  
gskt .....12.944  
Wheelhouse inner quarter panel.....12.944  
Wick, Distributor ..... 2.364  
Wick, Generator oil..... 2.301  
Wick, Starting motor ..... 2.083  
Window division mldg., Back.....11.216  
Window glass and reveal mldg.  
channel, Back .....11.207  
Window glass, Back.....11.204, 16.464  
Window glass, Rear corner.....16.464  
Window glass reveal mldg., Back....11.208  
Window glass, Side .....17.136  
Window glass run channel and ret.,  
Back .....11.223  
Window gutter, Quarter ..... 11.009  
Window reg. handle escutcheon.....10.806  
Window, ventshade unit ..... 9.694  
Window wiper blade, Rear.....11.252  
Window wiper control parts, Rear...11.253  
Windshield anchor nut ..... 16.012  
Windshield defroster and parts..... 9.778  
Windshield div. mldg. filler .....10.054  
Windshield division moulding 10.052, 16.017  
Windshield division moulding,  
inner .....10.053, 16.018  
Windshield division outer cap.....16.017  
Windshield frame .....12.807  
Windshield frame assy.....16.010  
Windshield frame clip ..... 16.012  
Windshield frame bottom and side ..16.110  
Windshield garnish moulding 10.051, 16.013  
Windshield garnish mldg.,  
escutcheon .....10.050  
Windshield garnish mldg. mldg. ....16.013  
Windshield glass.....10.027, 16.005  
Windshield glass channel...10.082, 16.010  
Windshield header panel.....16.562  
Windshield header trim assy.....14.650  
Windshield inner side frame .....12.808  
Windshield lwr. reveal mldg. ret....10.096  
Windshield opening mldg.....10.052, 16.017  
Windshield pillar trim upper ret....14.668  
Windshield rail ..... 16.553  
Windshield regulator ..... 16.045  
Windshield regulator tape & clip ..16.045  
Windshield reveal moulding...10.093, 16.041  
Windshield sealer ..... 9.800  
Windshield side finish mldg. clip...10.051  
Windshield side rail .....12.808  
Windshield side rail w/strip.....14.115  
Windshield stop .....16.058  
Windshield upper reveal mldg. escm...10.096  
Windshield washer anti-freeze ..... 8.800  
Windshield washer unit and parts .. 8.788  
Windshield weatherstrip ..... 16.040  
Windshield wiper arm .....10.147, 16.063  
Windshield wiper arm spring.....10.147  
Windshield wiper aux. drive assy...10.157  
Windshield wiper blade .....10.148, 16.062  
Windshield wiper blade insert.....10.148

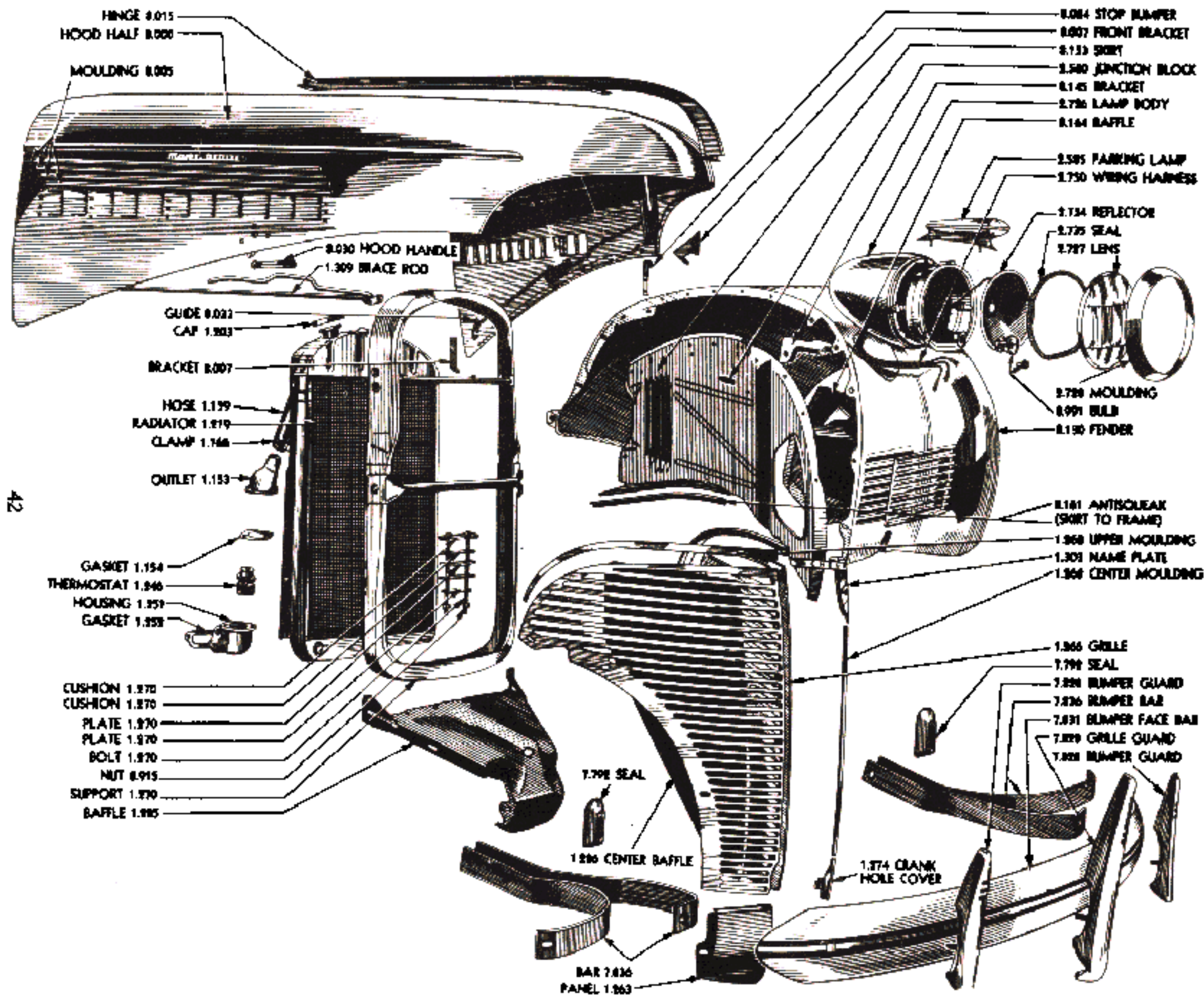
Windshield wiper connector  
& hose .....10.155, 16.086  
Windshield wiper control conn. link..10.167  
Windshield wiper control conn.  
link grommet .....10.169  
Windshield wiper  
control knob .....10.164, 16.087  
Windshield wiper control parts.....10.163  
Windshield wiper cover plate .....16.563  
Windshield wiper link and rod.....16.083  
Windshield wiper motor .....10.150, 16.084  
Windshield wiper motor bracket...16.065  
Windshield wiper motor gasket ....10.152  
Windshield wiper motor grommet...10.152  
Windshield wiper parts .....16.065  
Windshield wiper  
pipe fittings .....10.154, 16.086  
Windshield wiper ret. & spring assy..10.158  
Windshield wiper suction pipe.....16.066  
Windshield wiper trans. & link assy..10.159  
Windshield wiper trans. escutcheon..10.160  
Windshield wiper trans. gskt. & ret..10.180  
Windshield wiper tubing .....10.155  
Windshield wiper washer .....10.152  
Wing nut ..... 8.920  
Wiper arm, Rear window.....11.251  
Wiper motor parts, Rear window...11.255  
Wiper motor, Rear window.....11.254  
Wire ..... 2.530  
Wire, Clock ..... 8.772  
Wire, Headlamp bulb & socket ..... 2.750  
Wire, Headlining listing suppl.....12.955  
Wire, Ignition ..... 2.525  
Wire, Instrument lamp & socket .... 2.773  
Wire, Horn ..... 2.859  
Wire socket, Rear license lamp..... 2.714  
Wire, Spark plug &  
distributor ..... 2.239, 2.240, 2.241  
Wire, Starting mtr. cl. collar lock... 2.096  
Wire, Reversing switch ..... 2.122  
Wire unit, Frt. seat cushion & back tie 11.419  
Wire unit, Spark plug ..... 2.239  
Wires, Starting, arm & lighting .... 2.525  
Wiring harness, Body.....13.090  
Wiring harness, Fldg. top control...14.494  
Wiring harness, Chassis..... 2.555  
Wiring harness, Parking lamp..... 2.598  
Woodruff key ..... 8.960  
Worm bearing, Strg. gear..... 8.806, 6.826  
Worm thrust bearing retainer..... 6.527  
Wrench ..... 8.821  
Wrench, Spark plug..... 2.273  
Wrench, Wheel and tire..... 8.821

T

Yoke, Brake lever pull..... 4.824  
Yoke, Double reduction shifter..... 5.490  
Yoke, Fldg. top vac. cyl. shaft.....14.478  
Yoke, Gearshift ..... 4.303  
Yoke, Hose and tee connector spring . 4.881  
Yoke, Universal joint ..... 5.555

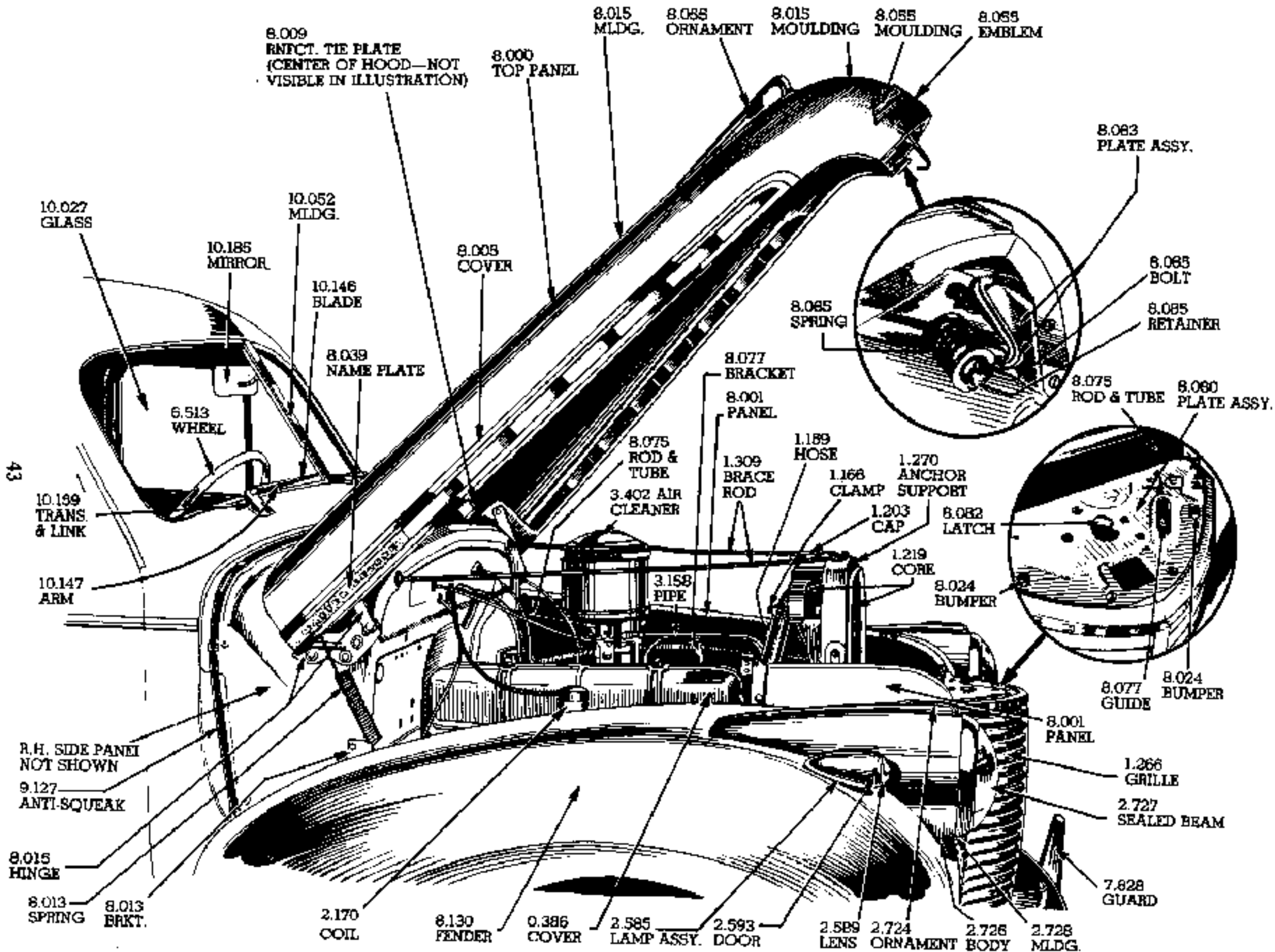
Z

Zipper, Back curtain .....13.392



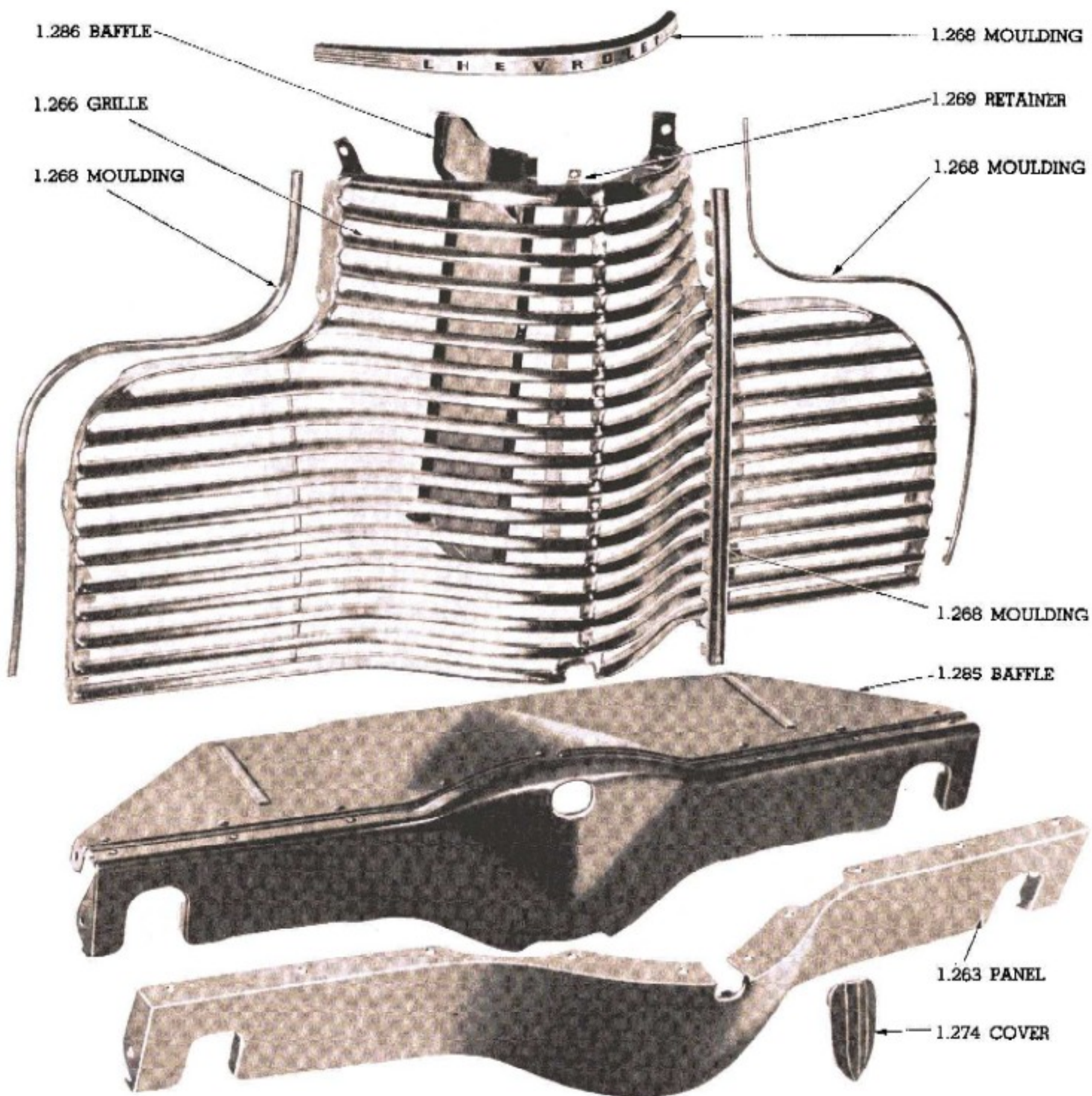
42

1939 FRONT END—EXPLODED



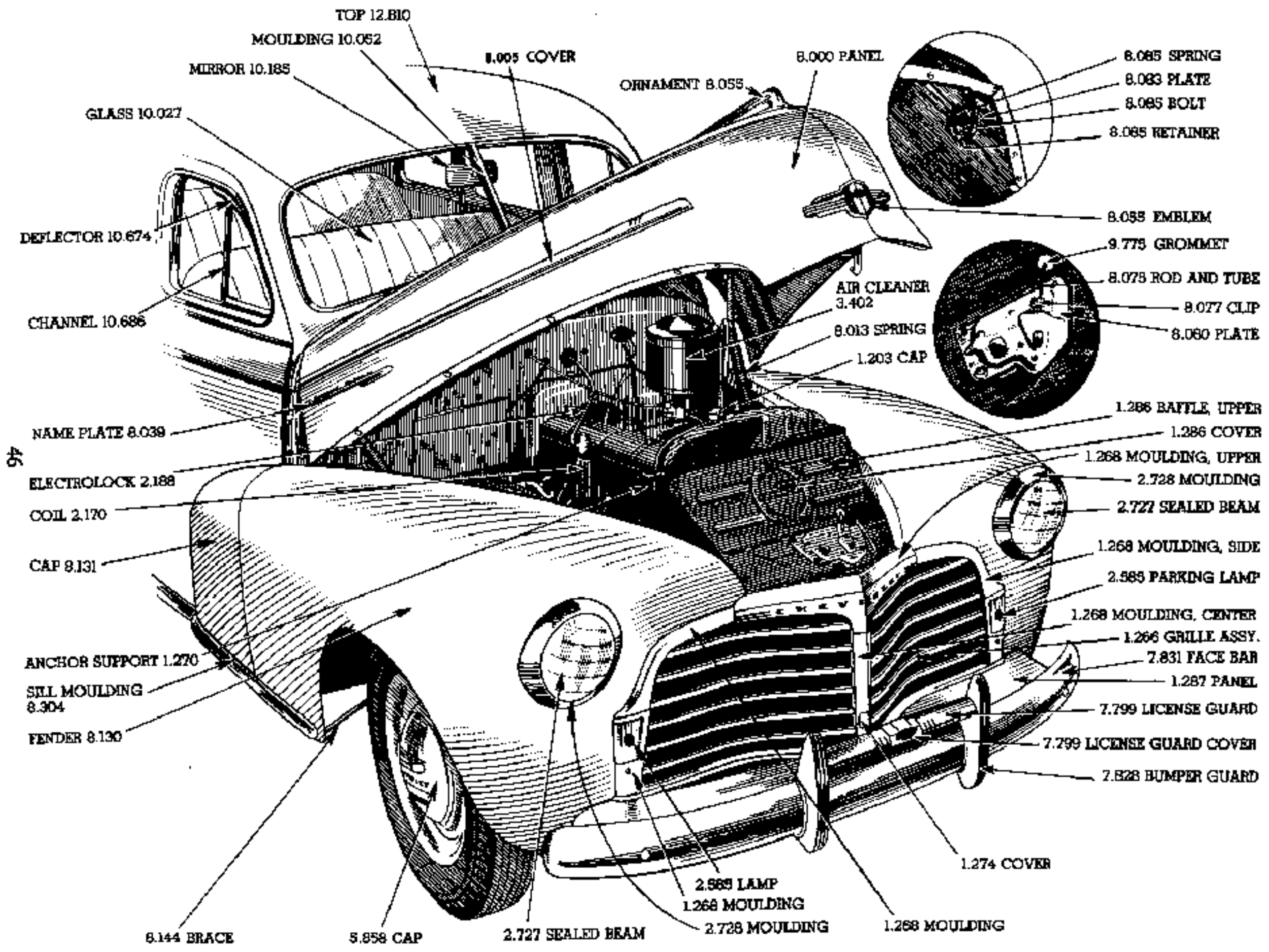
1940 FRONT END





**1940 GRILLE—EXPLODED**

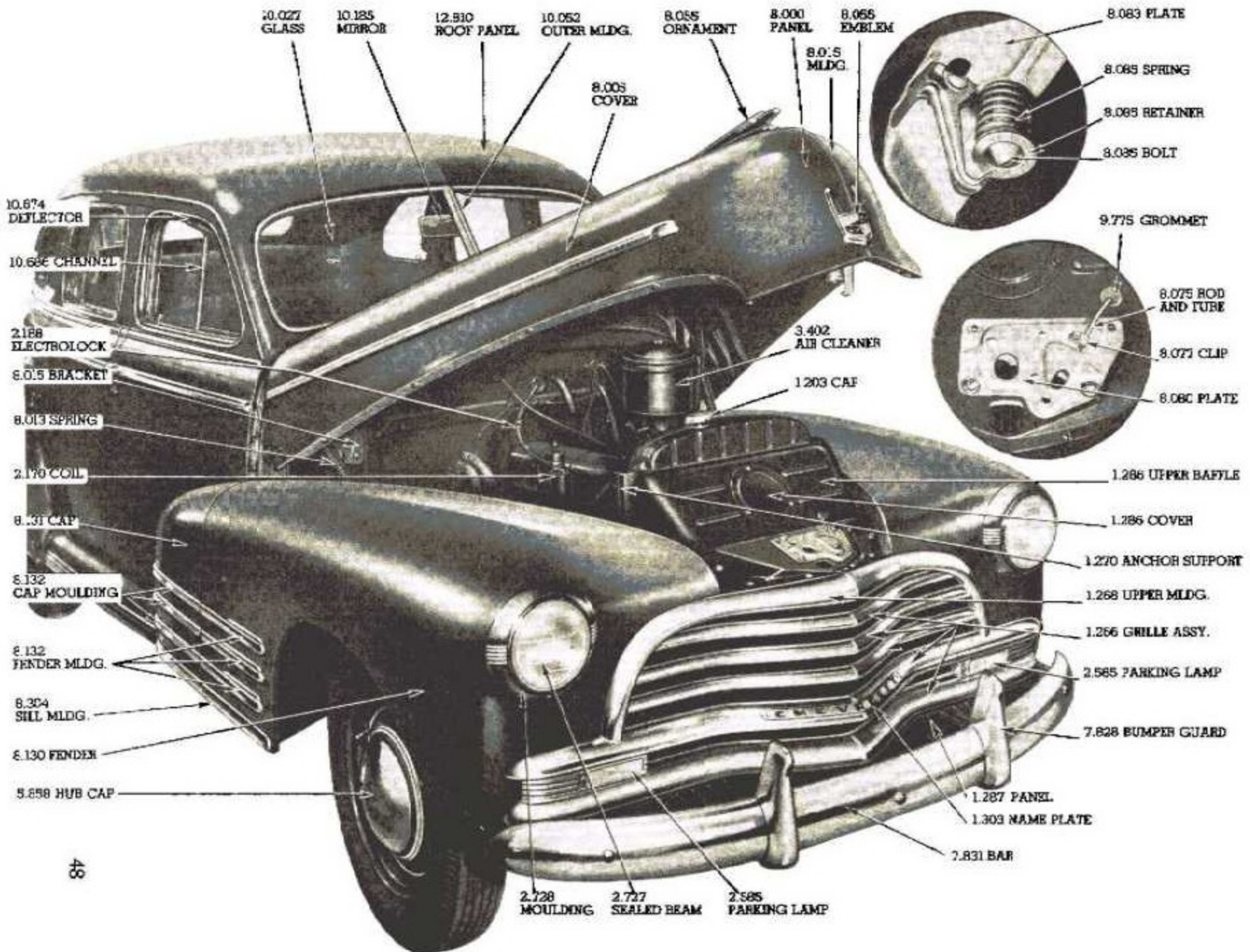




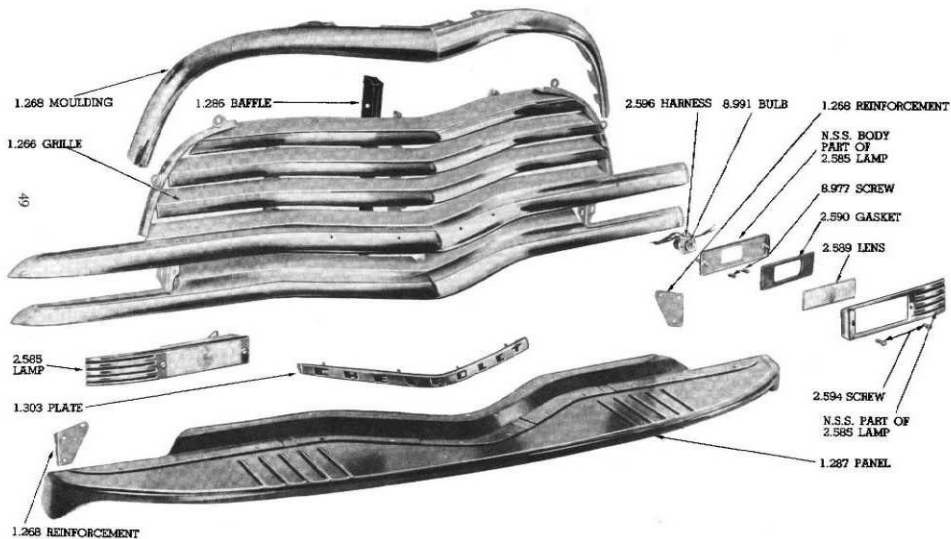
1942 FRONT END





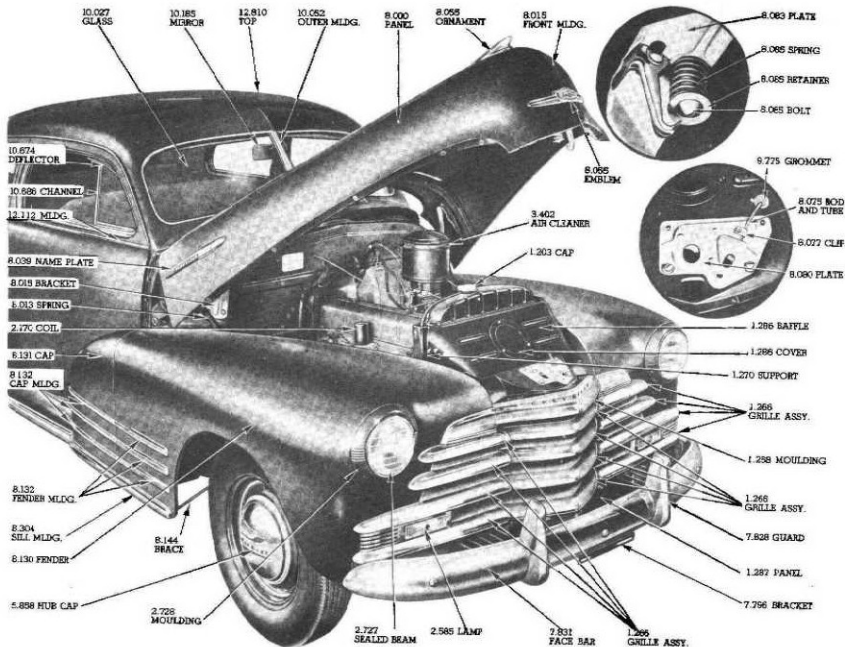


**1946 FRONT END**

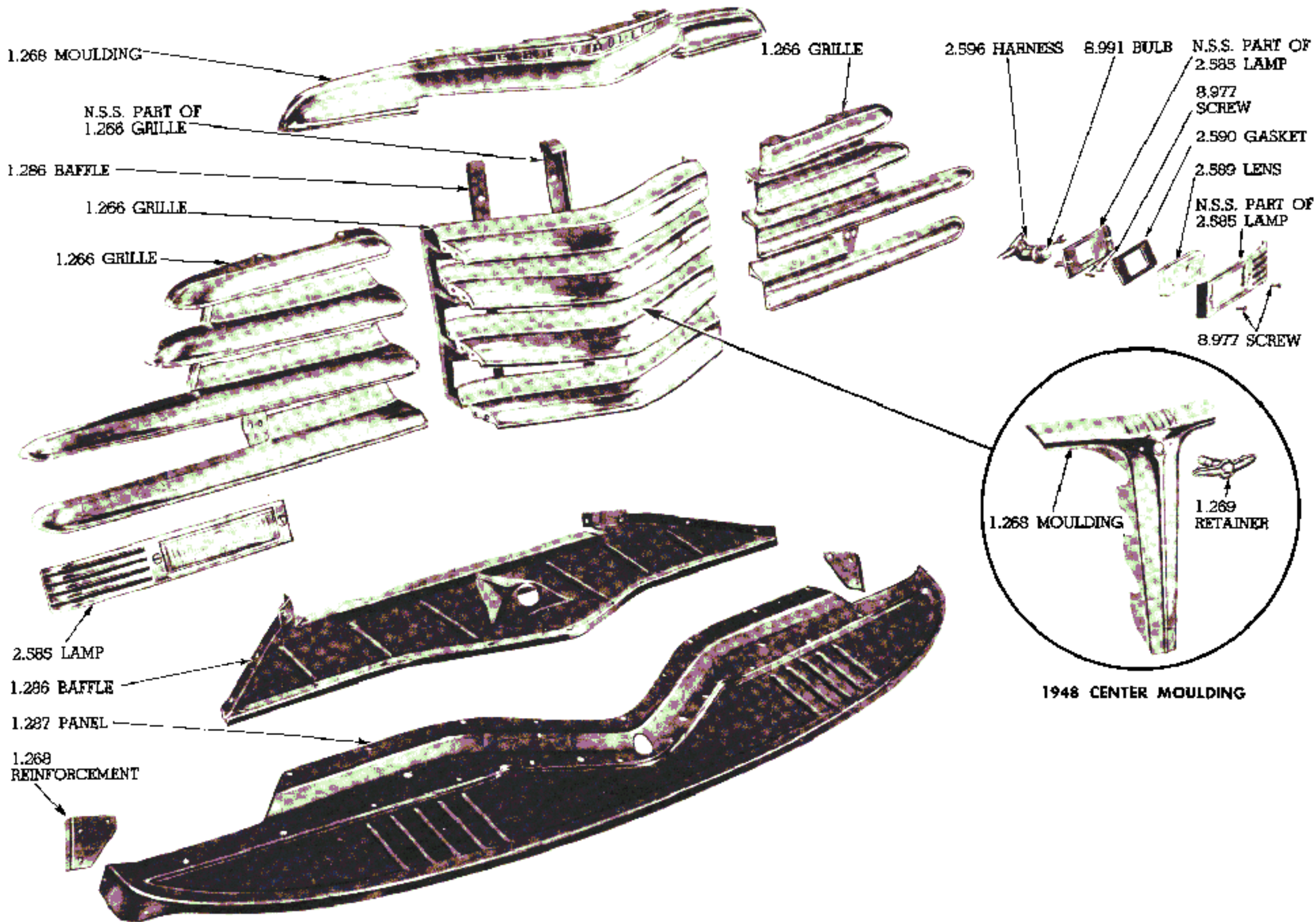


1946 GRILLE—EXPLODED



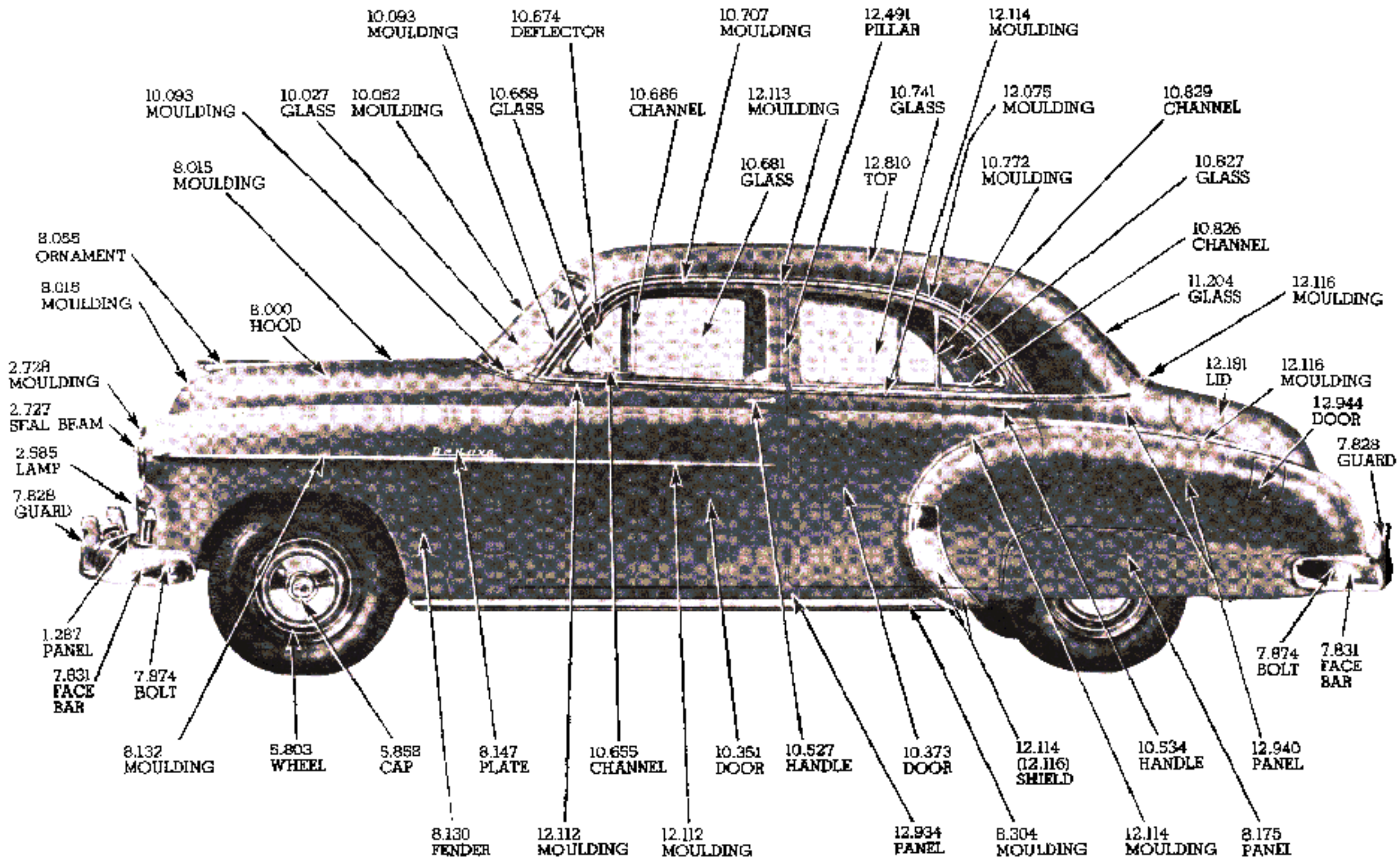


1947 FRONT END



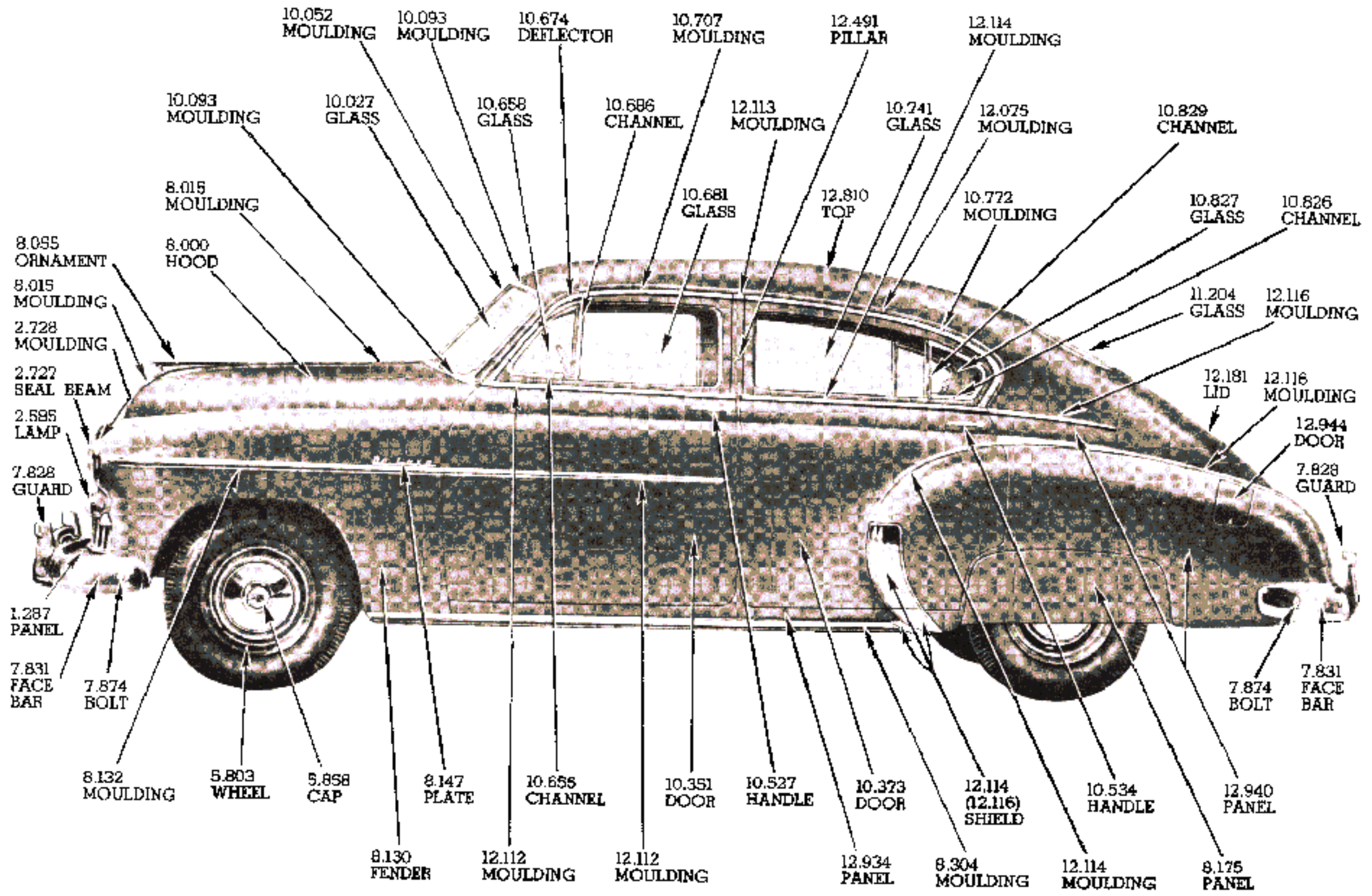
1947-48 GRILLE—EXPLODED





1949-50 STYLELINE DELUXE FOUR DOOR SEDAN



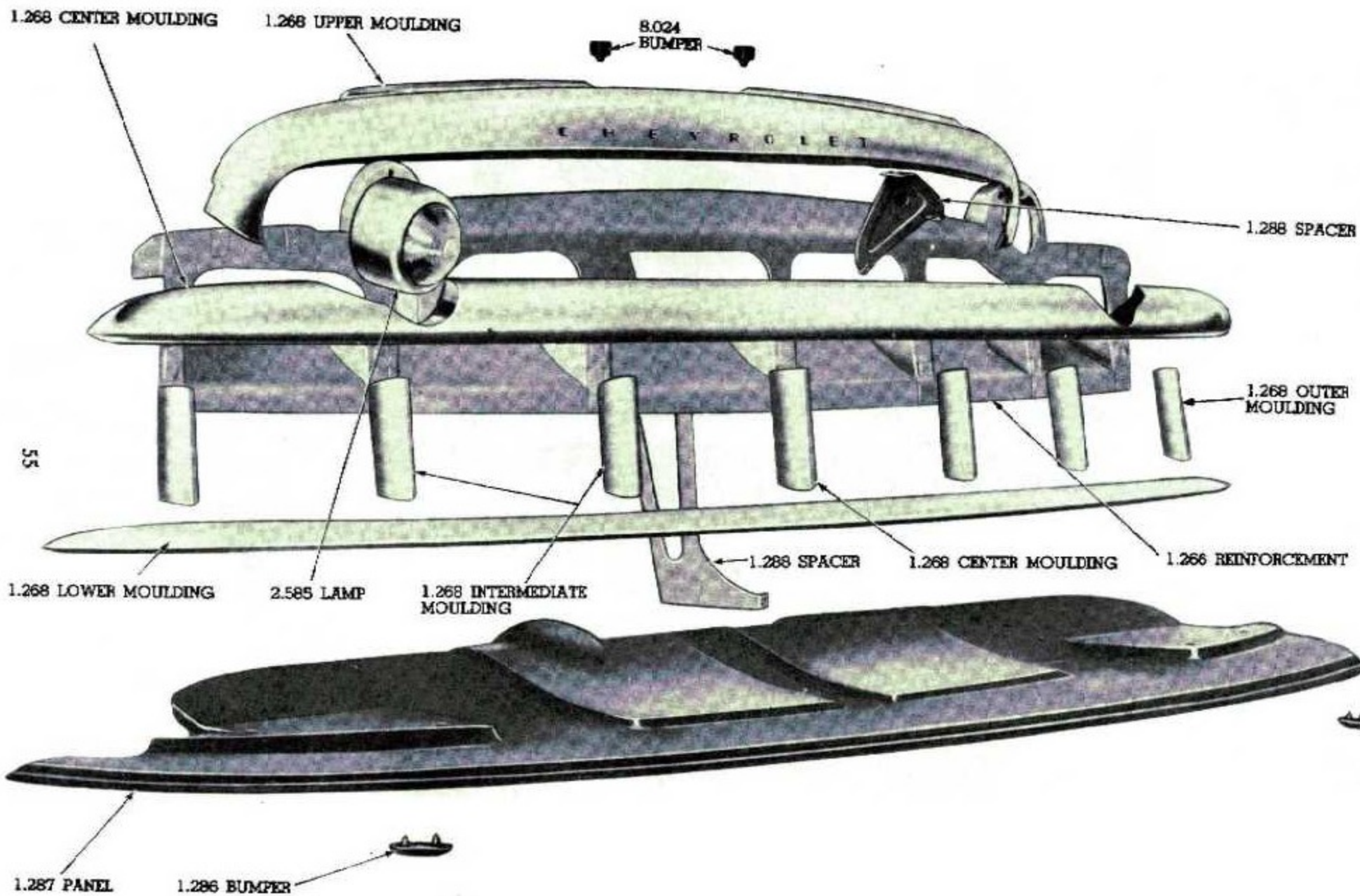


1949-50 FLEETLINE DELUXE FOUR DOOR SEDAN

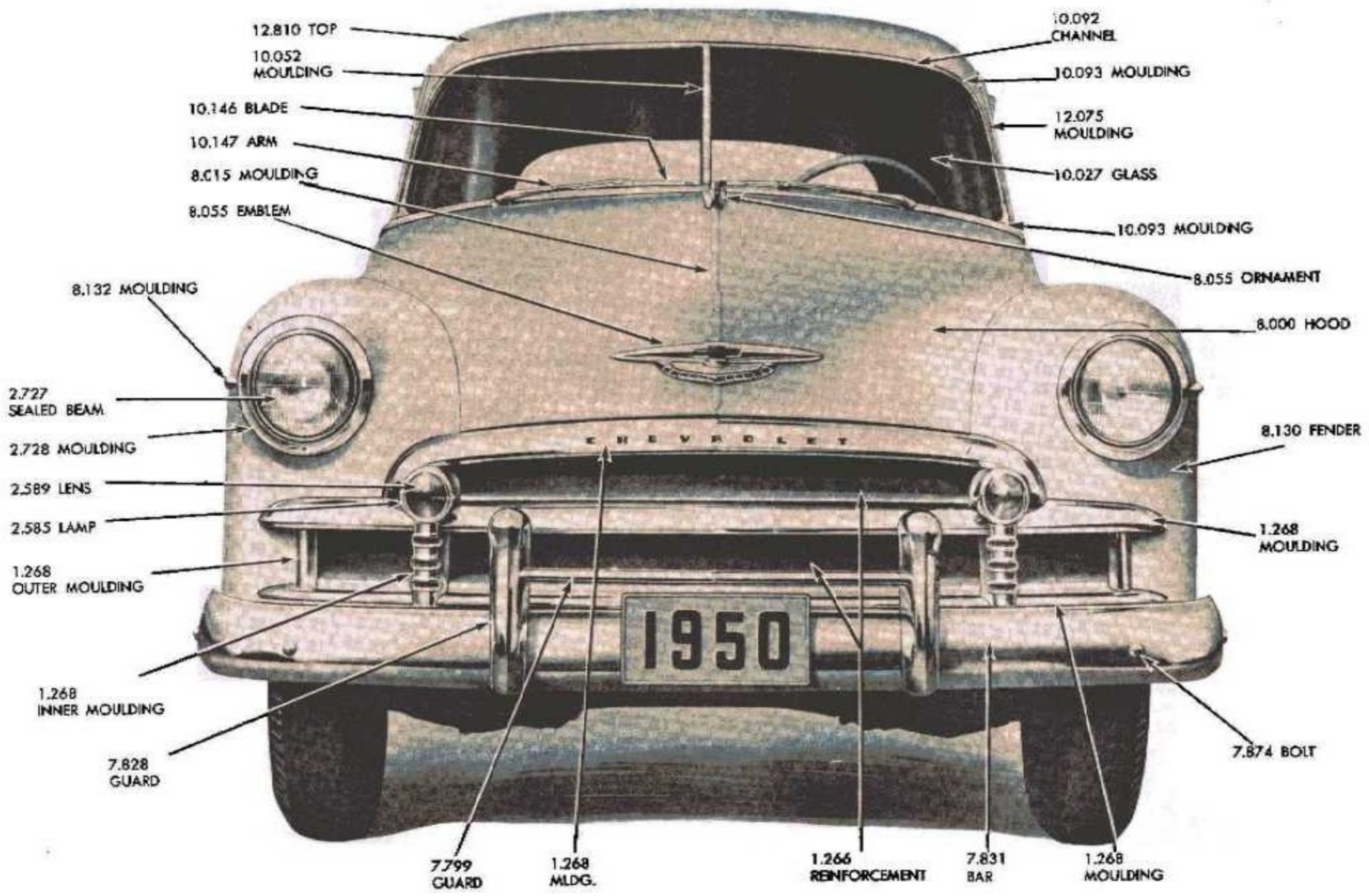






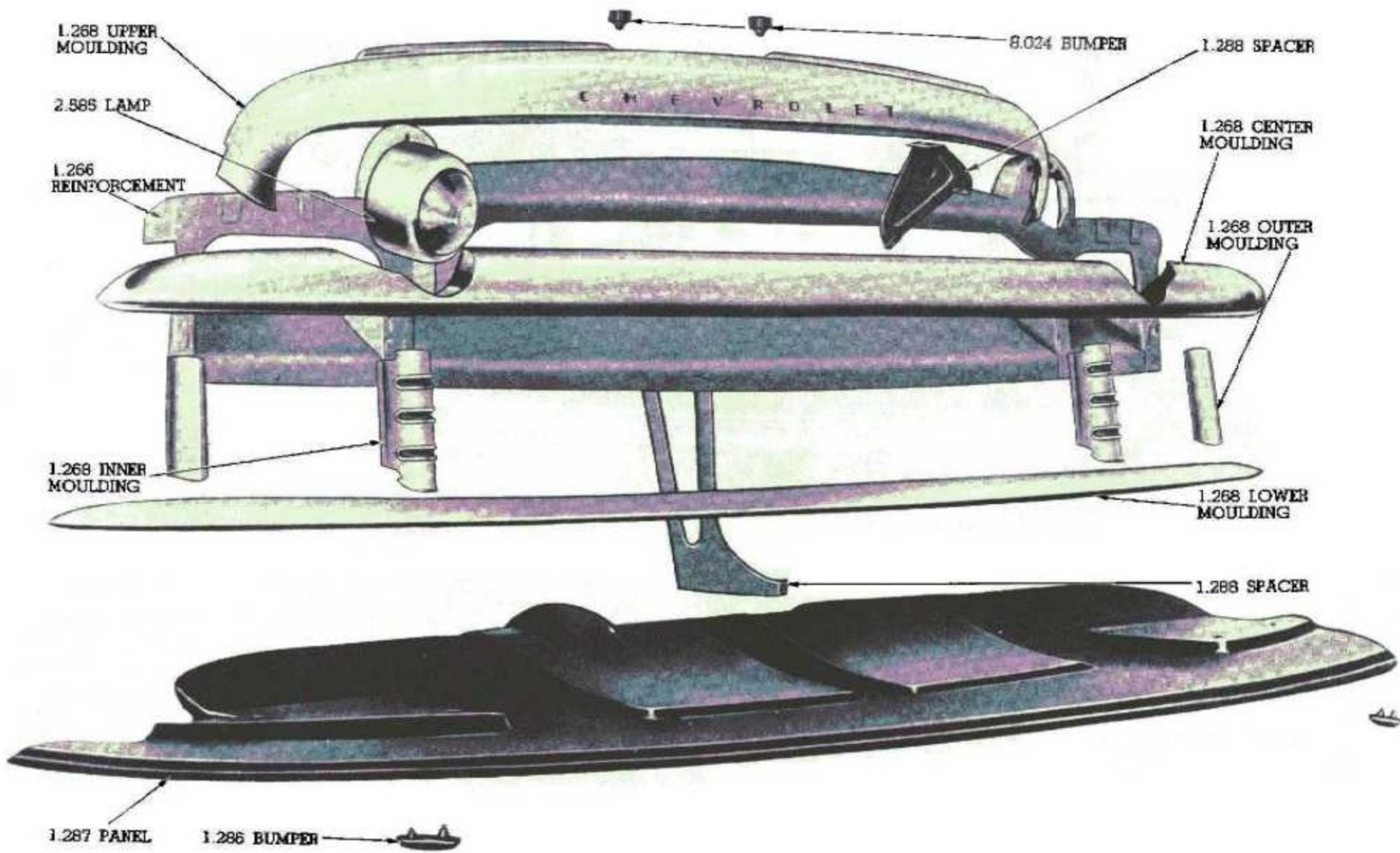


1949 GRILLE—EXPLODED

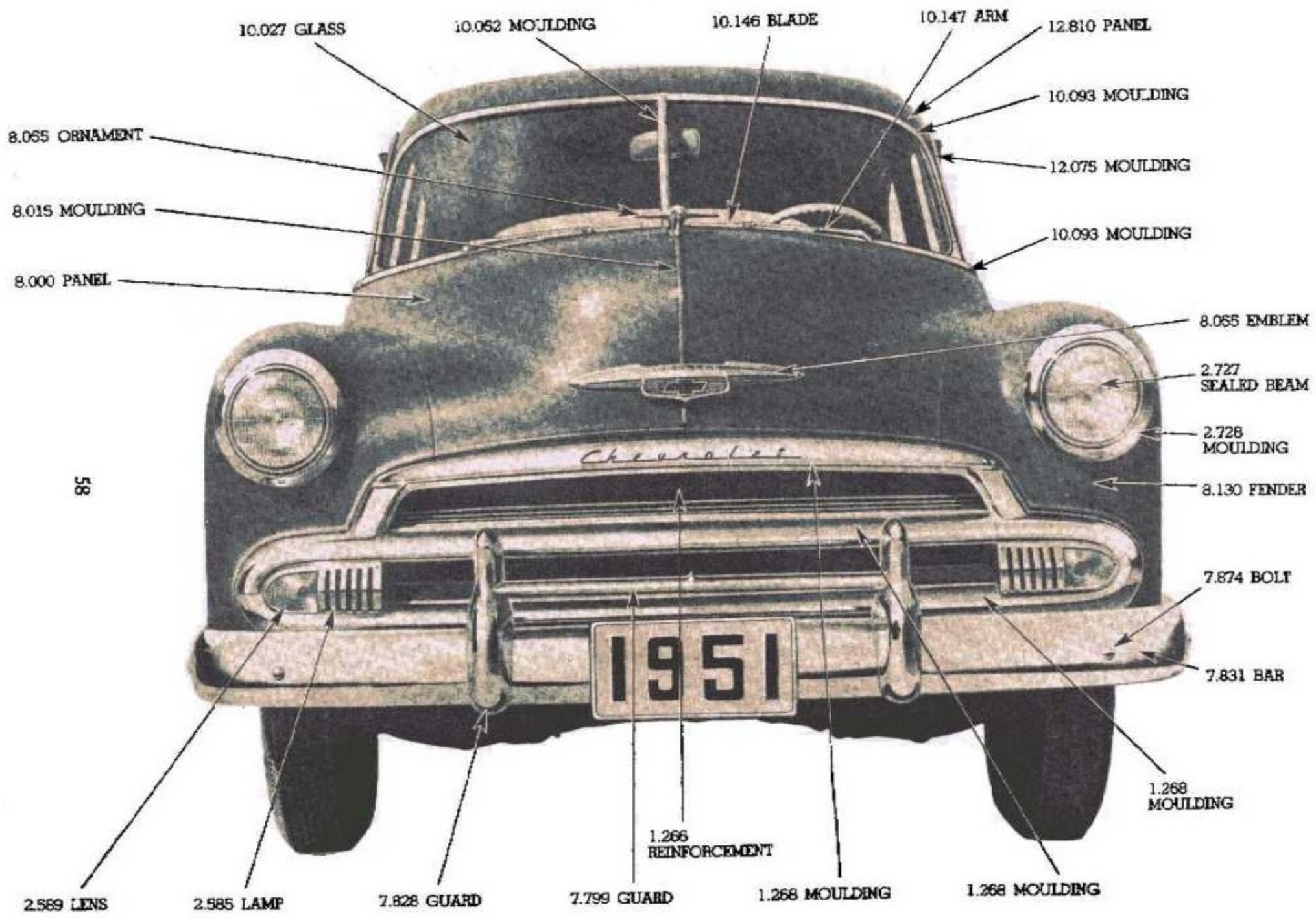


1950 FRONT END





1950 GRILLE—EXPLODED



10.027 GLASS

10.052 MOULDING

10.146 BLADE

10.147 ARM

12.810 PANEL

8.065 ORNAMENT

10.093 MOULDING

8.015 MOULDING

12.075 MOULDING

8.000 PANEL

10.093 MOULDING

8.055 EMBLEM

2.727 SEALED BEAM

58

2.728 MOULDING

8.130 FENDER

7.874 BOLT

*Chevrolet*

7.831 BAR

1.268 MOULDING

2.569 LENS

2.585 LAMP

7.828 GUARD

1.268 REINFORCEMENT

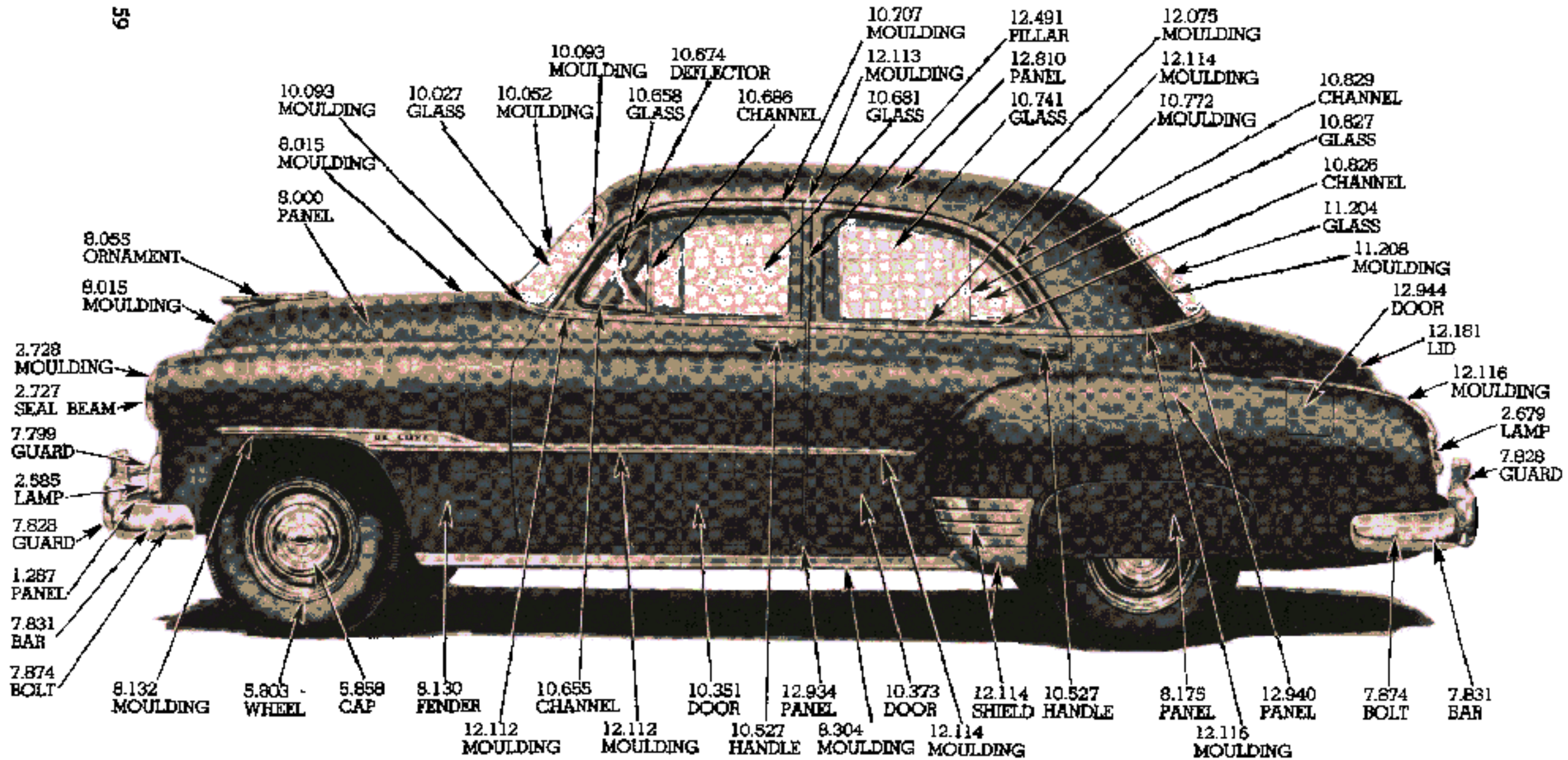
7.799 GUARD

1.268 MOULDING

1.268 MOULDING

**1951 FRONT END**

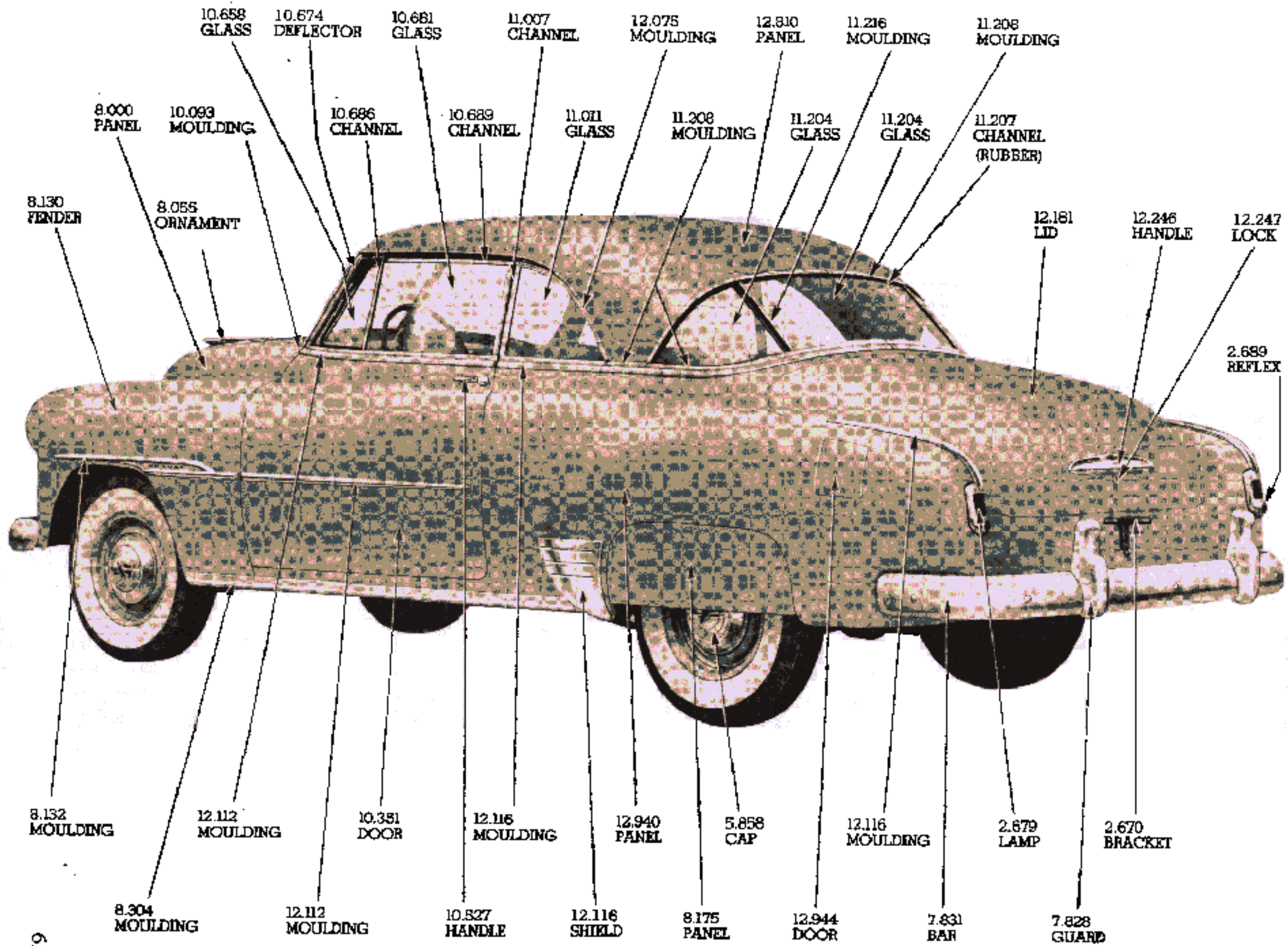




**1951 STYLELINE DELUXE FOUR DOOR SEDAN**







1951 BEL AIR



8.024 BUMPER

1.266 REINFORCEMENT

1.268 MOULDING

1.288 SPACER

1.266 DEFLECTOR

1.266 PLATE

62

1.268 MOULDING

HOUSING  
(N.S.S. PART  
OF LAMP 2.585)

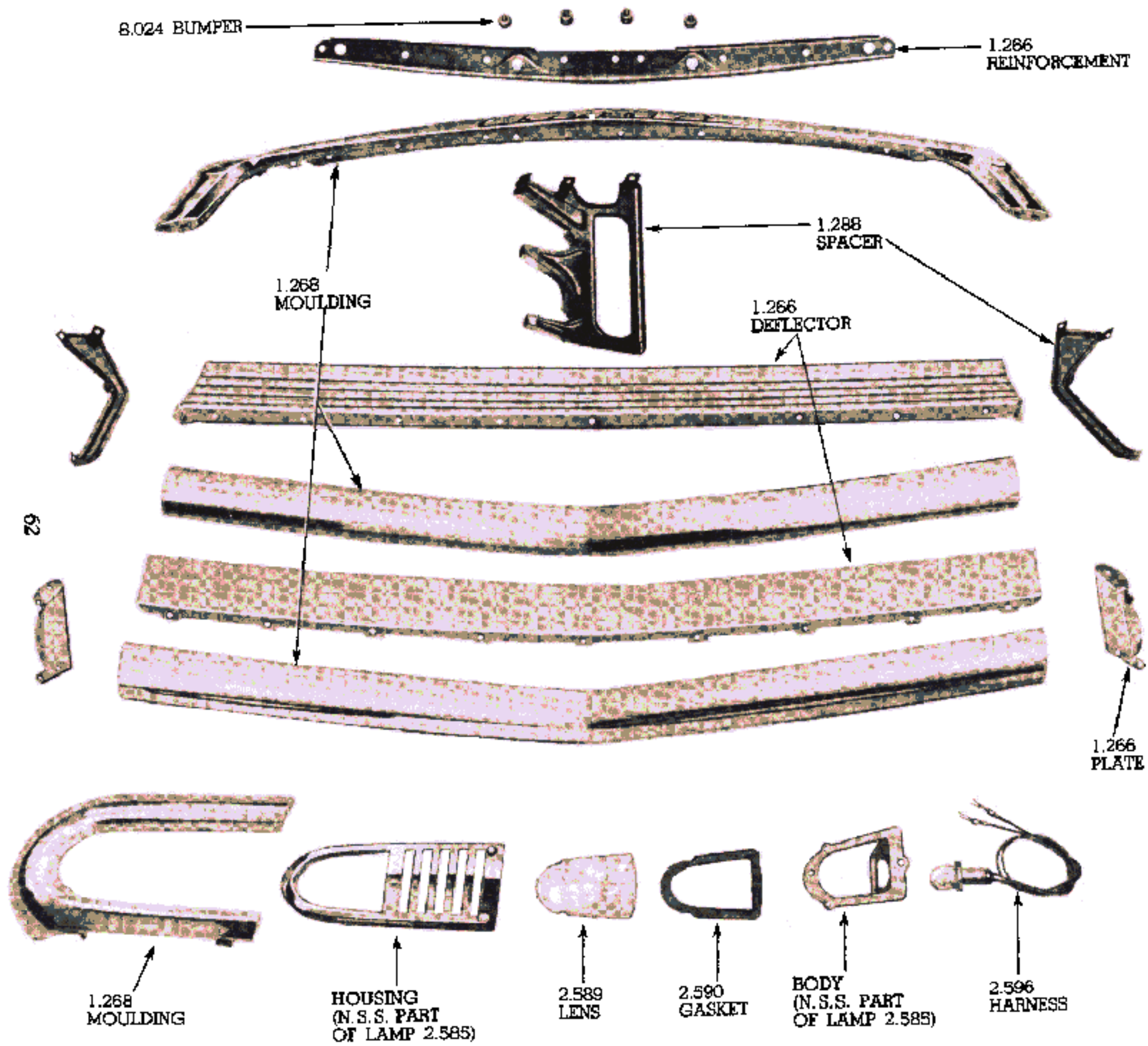
2.589  
LENS

2.590  
GASKET

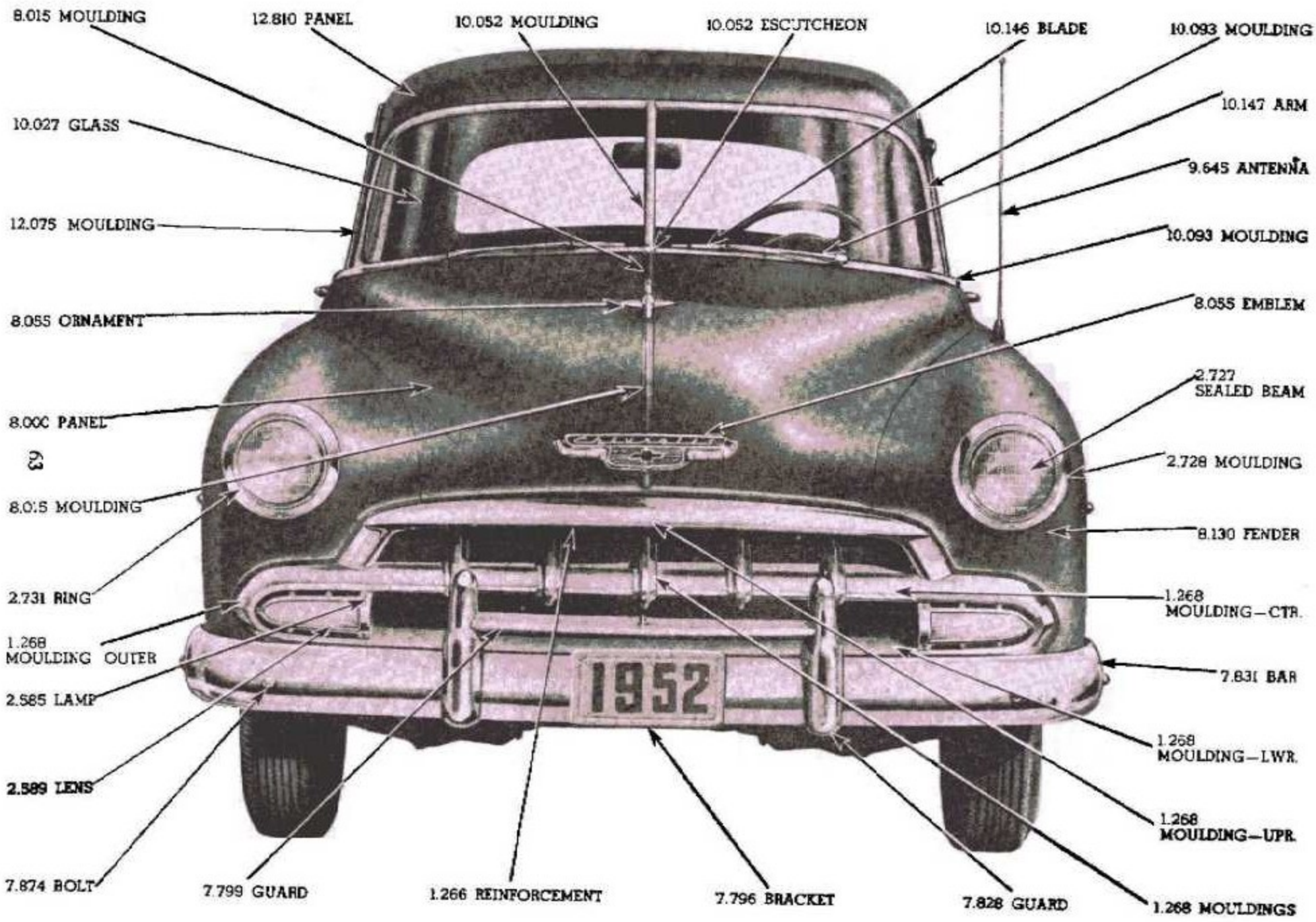
BODY  
(N.S.S. PART  
OF LAMP 2.585)

2.596  
HARNES

1951 GRILLE—EXPLODED





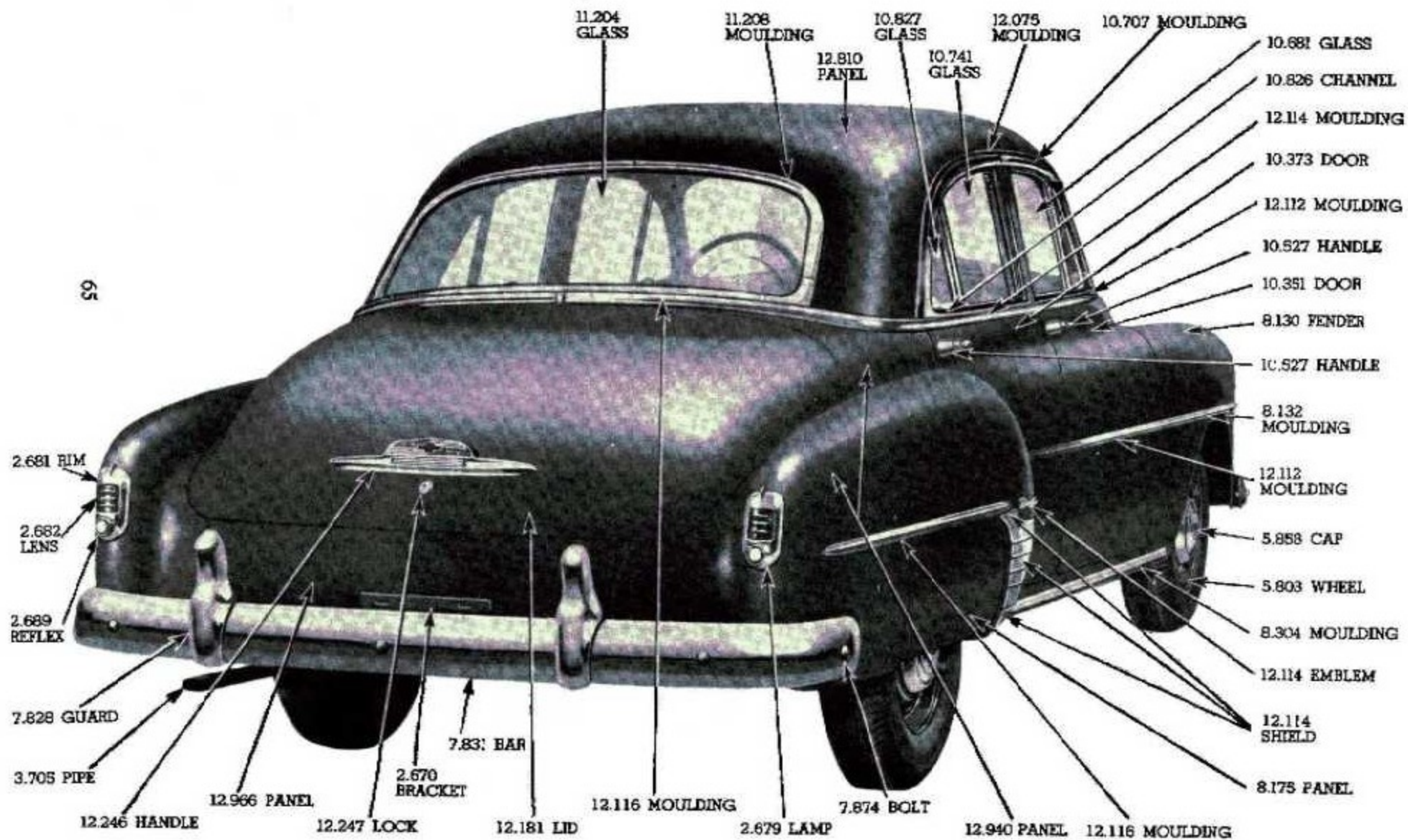


**1952 FRONT END**



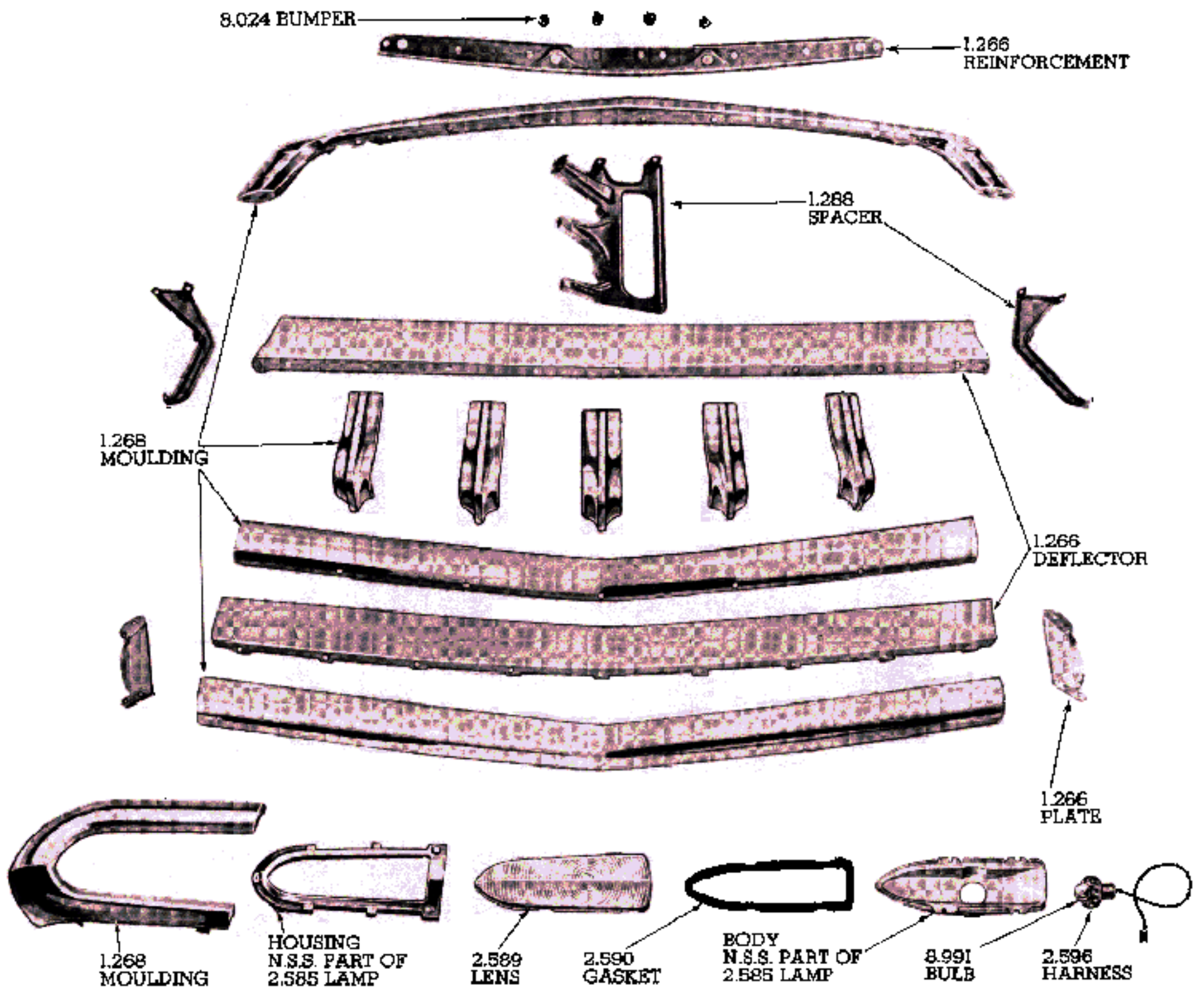




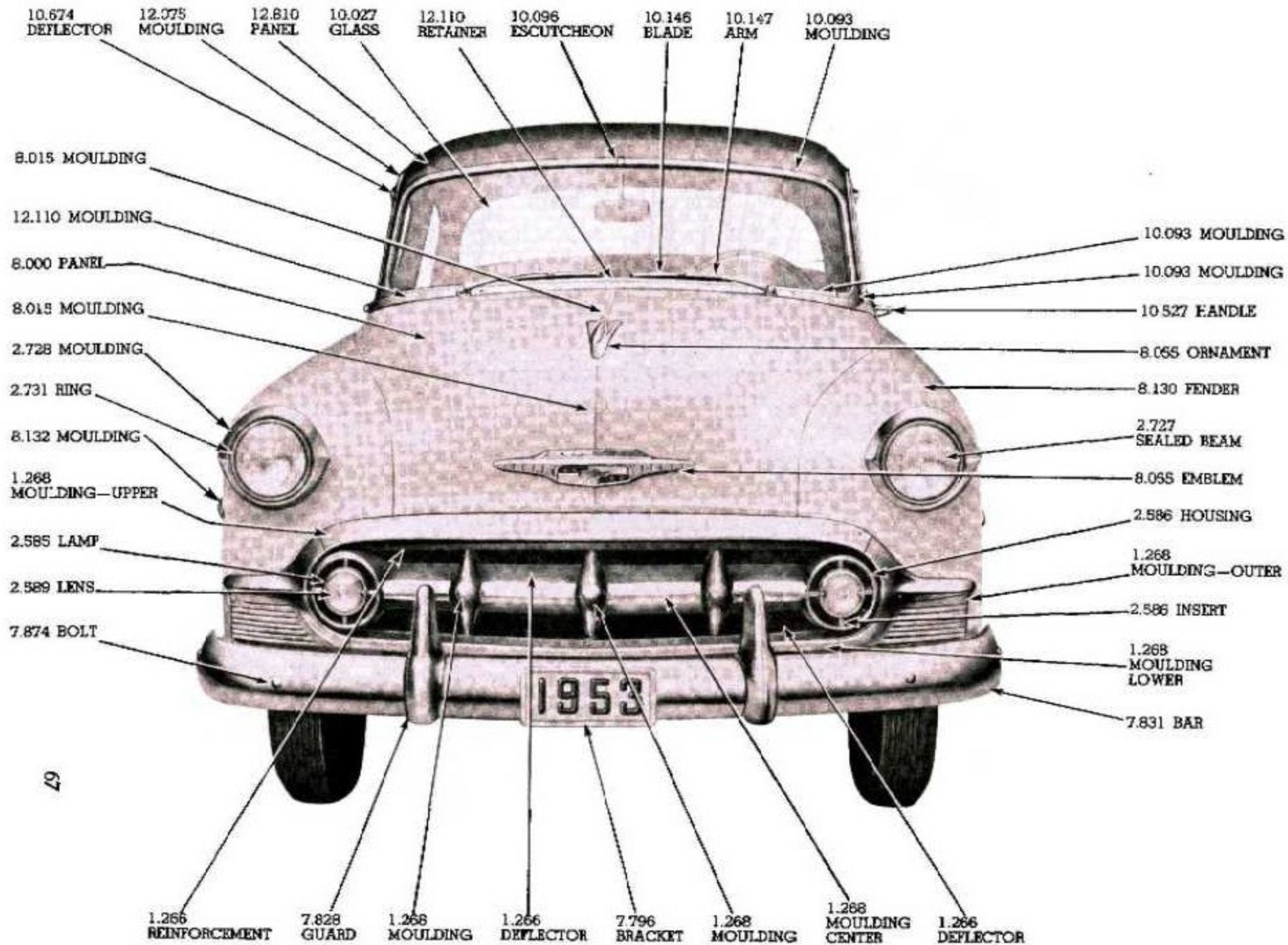


1952 REAR END



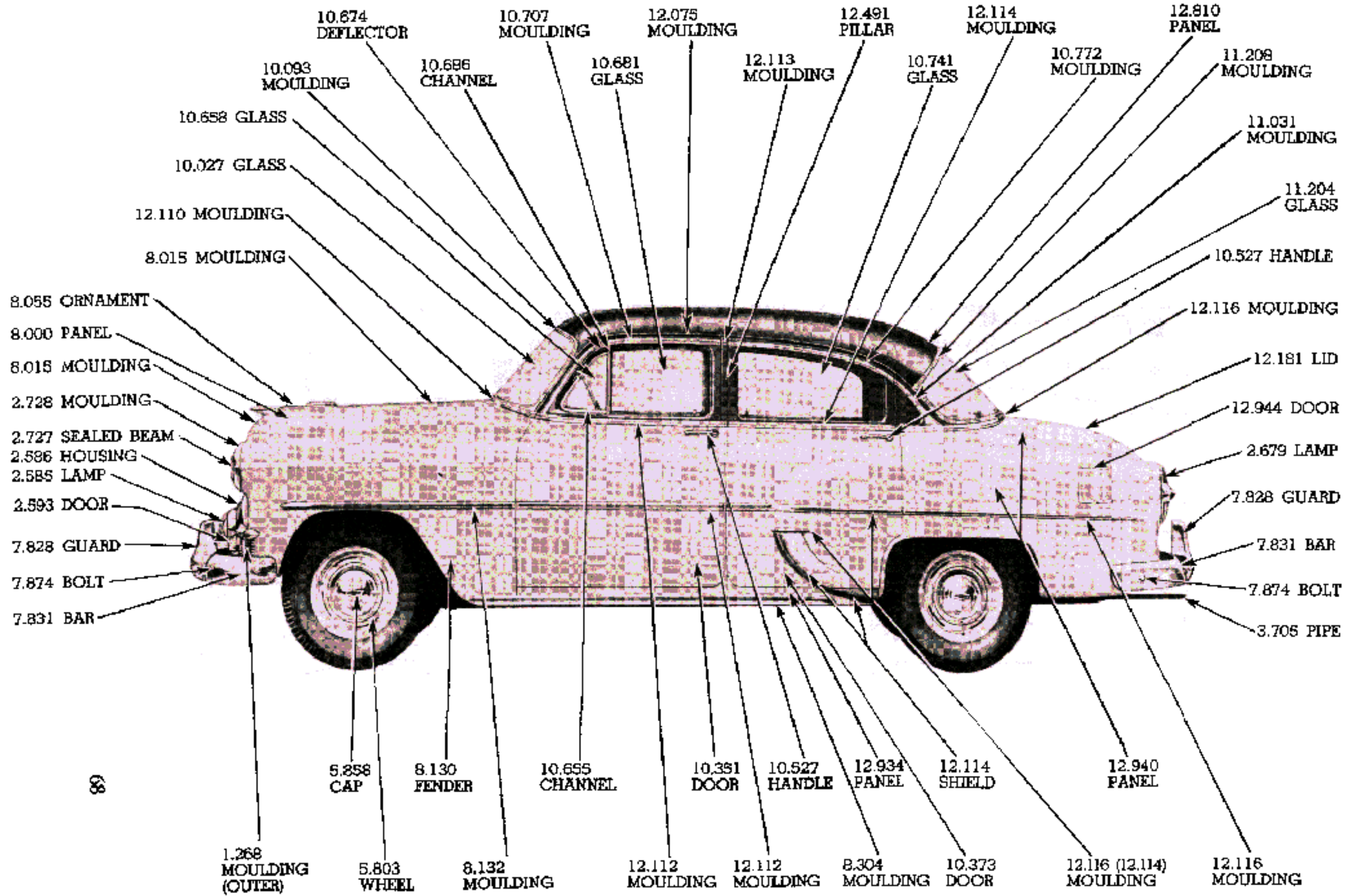


**1952 GRILLE—EXPLODED**



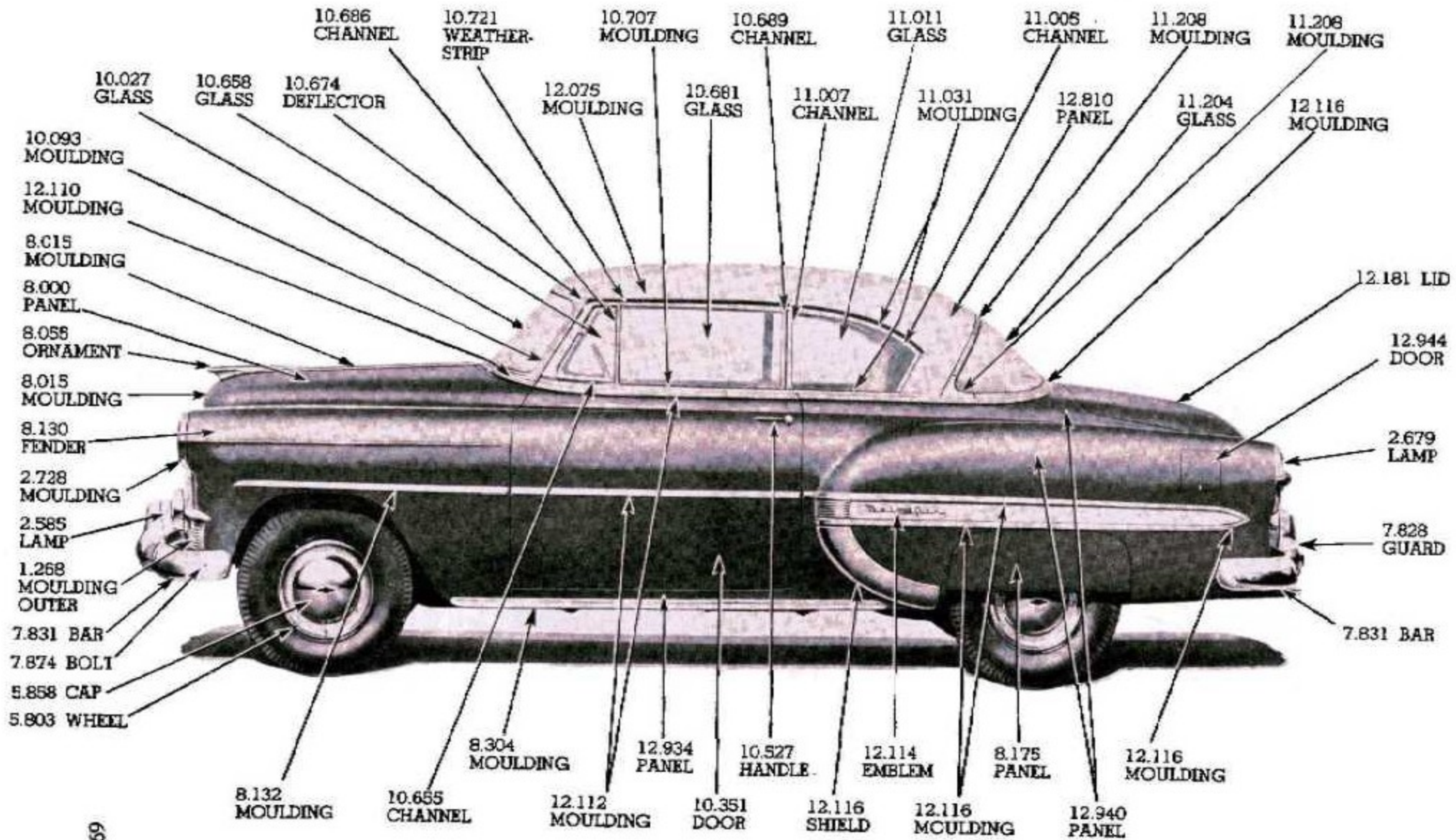
**1953 PASSENGER FRONT END**





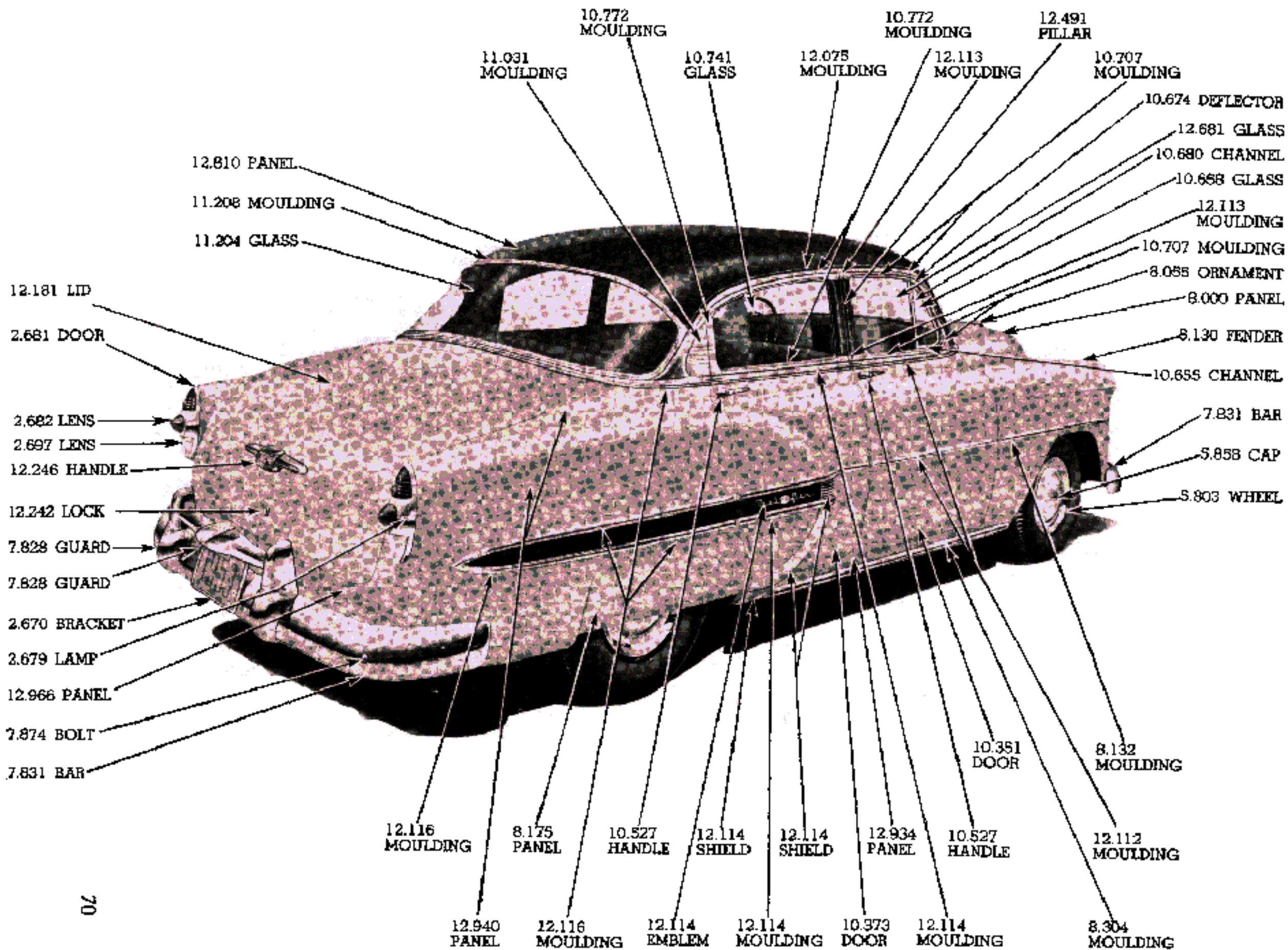
**1953 TWO-TEN FOUR DOOR SEDAN**





1953 BEL AIR SPORT COUPE

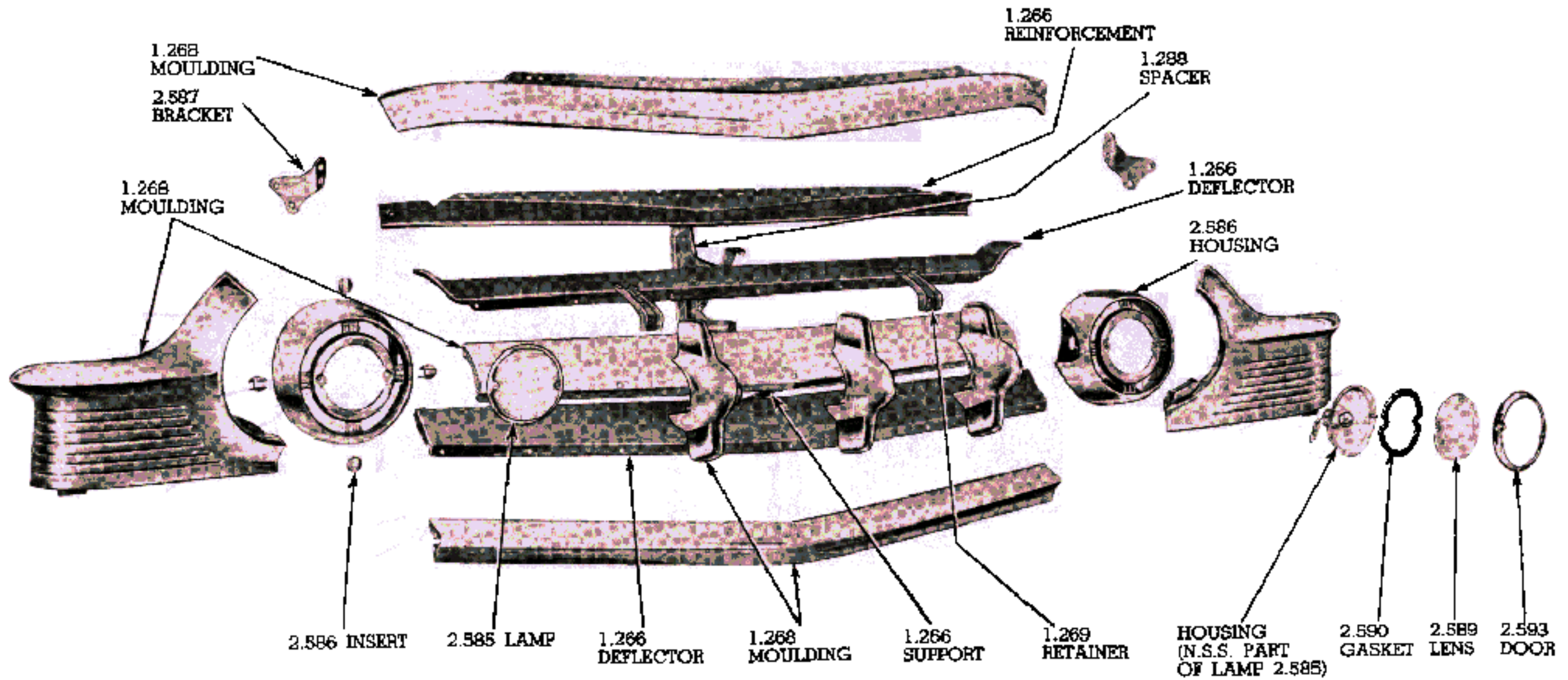




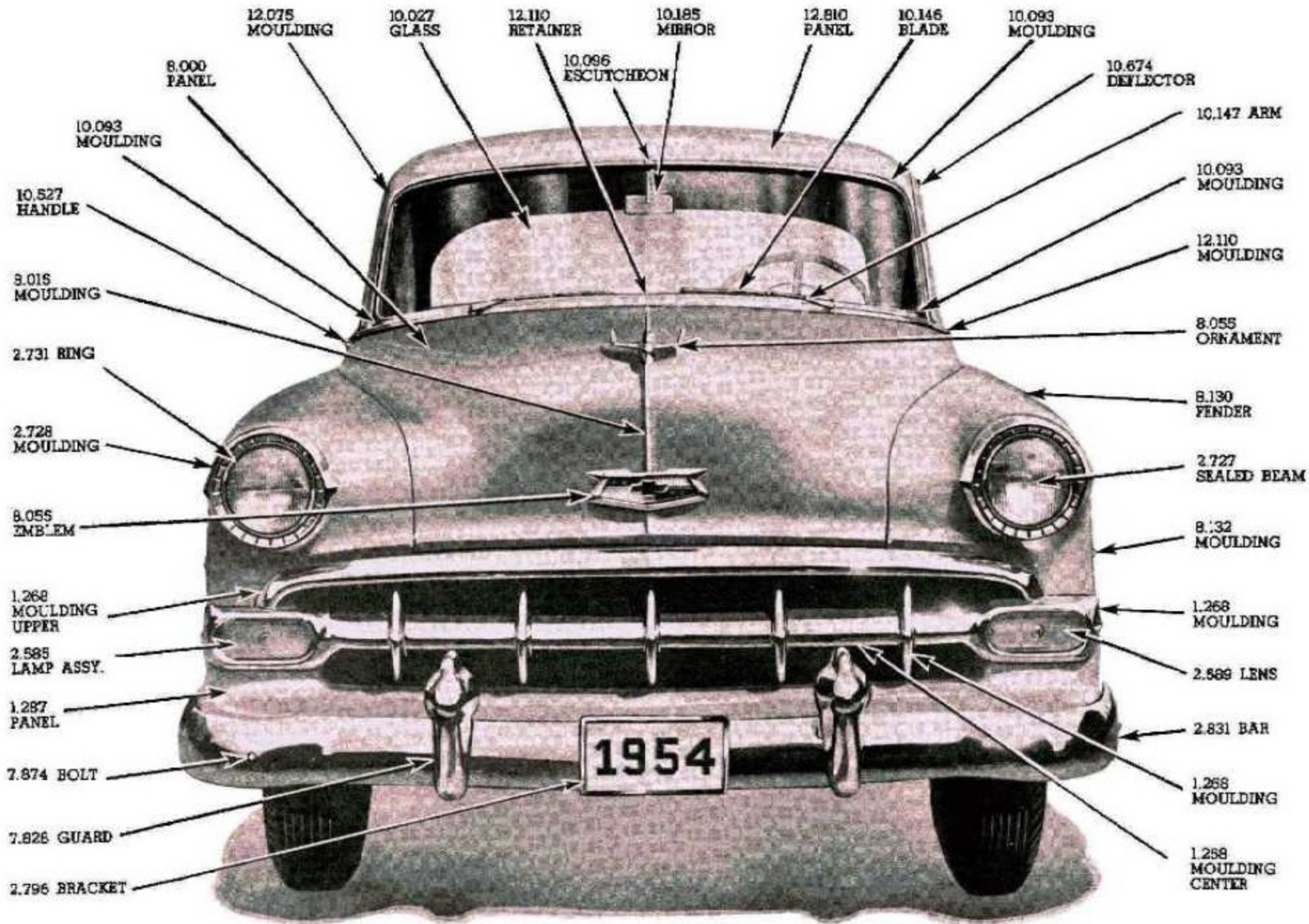
70

**1953 BEL AIR FOUR DOOR SEDAN**



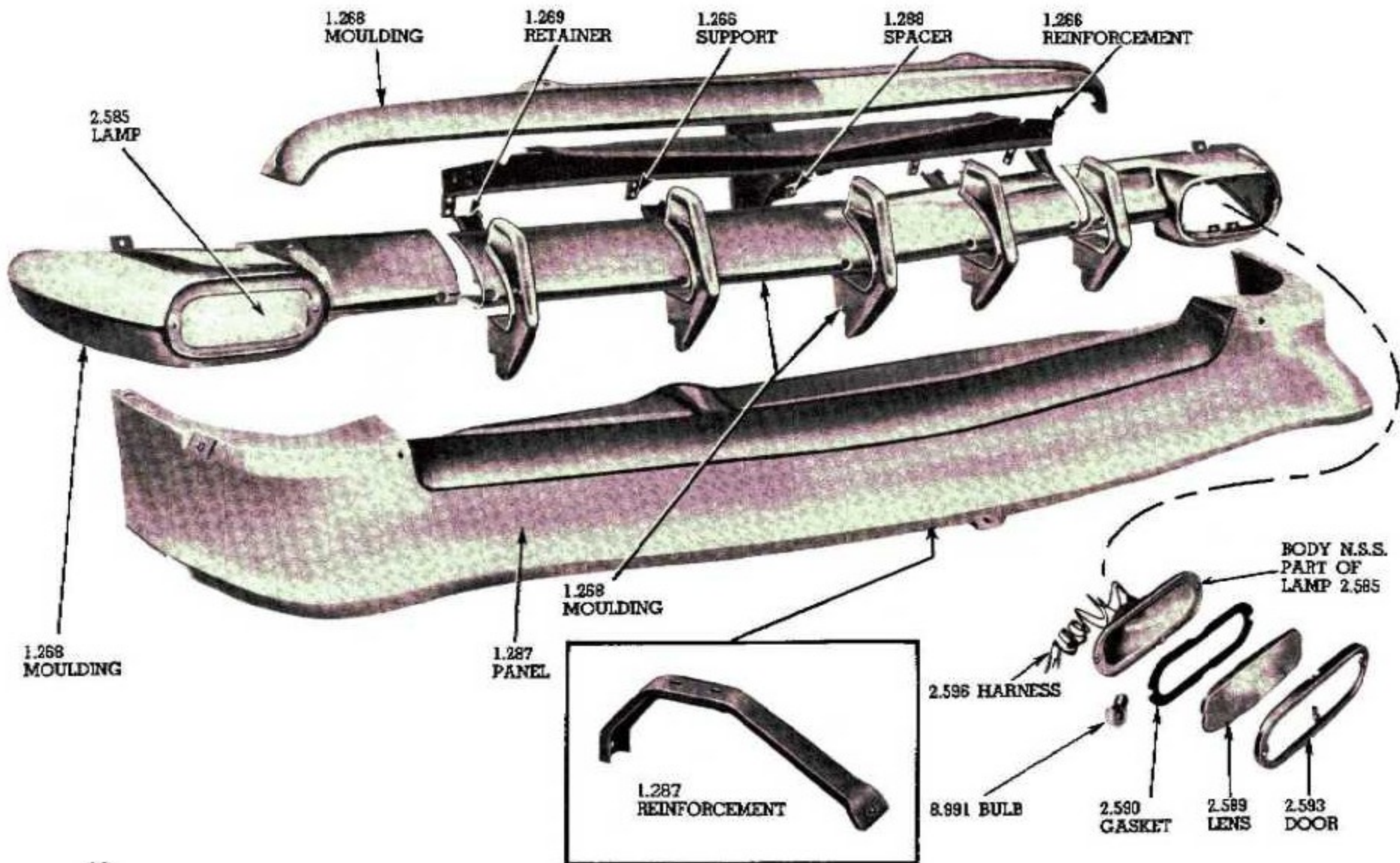


1953 GRILLE EXPLODED

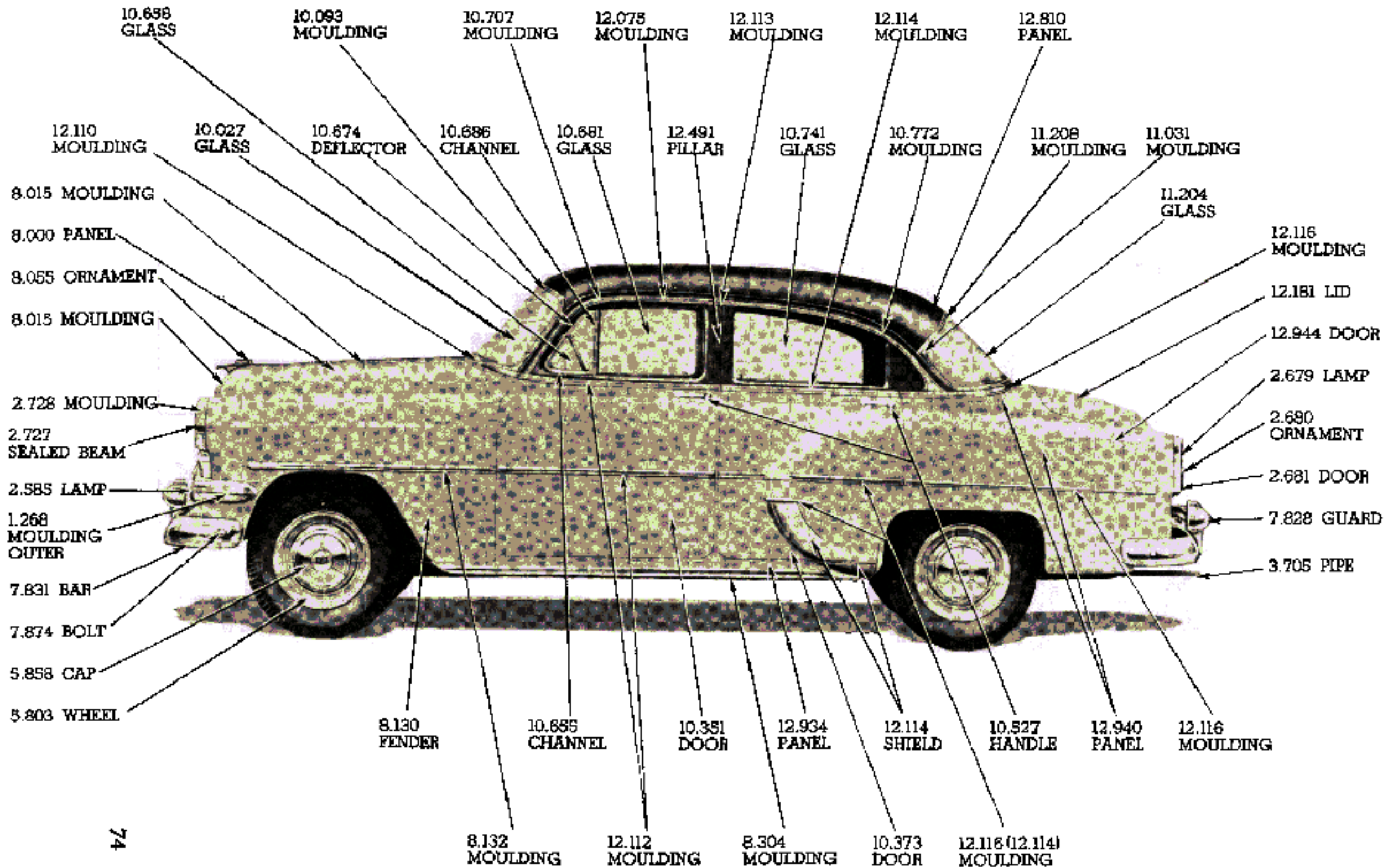


1954 PASSENGER FRONT END





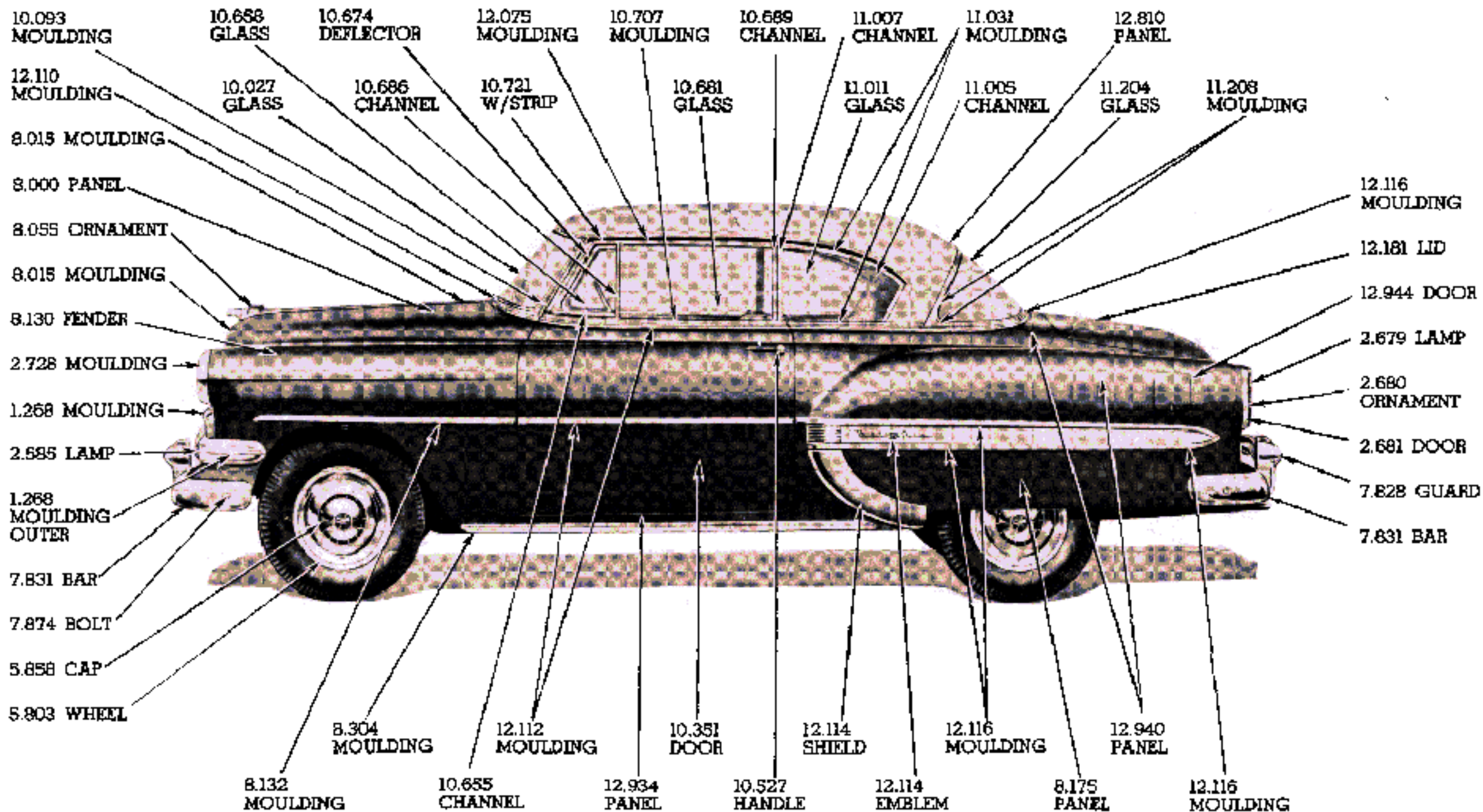
1954 GRILLE—EXPLODED



74

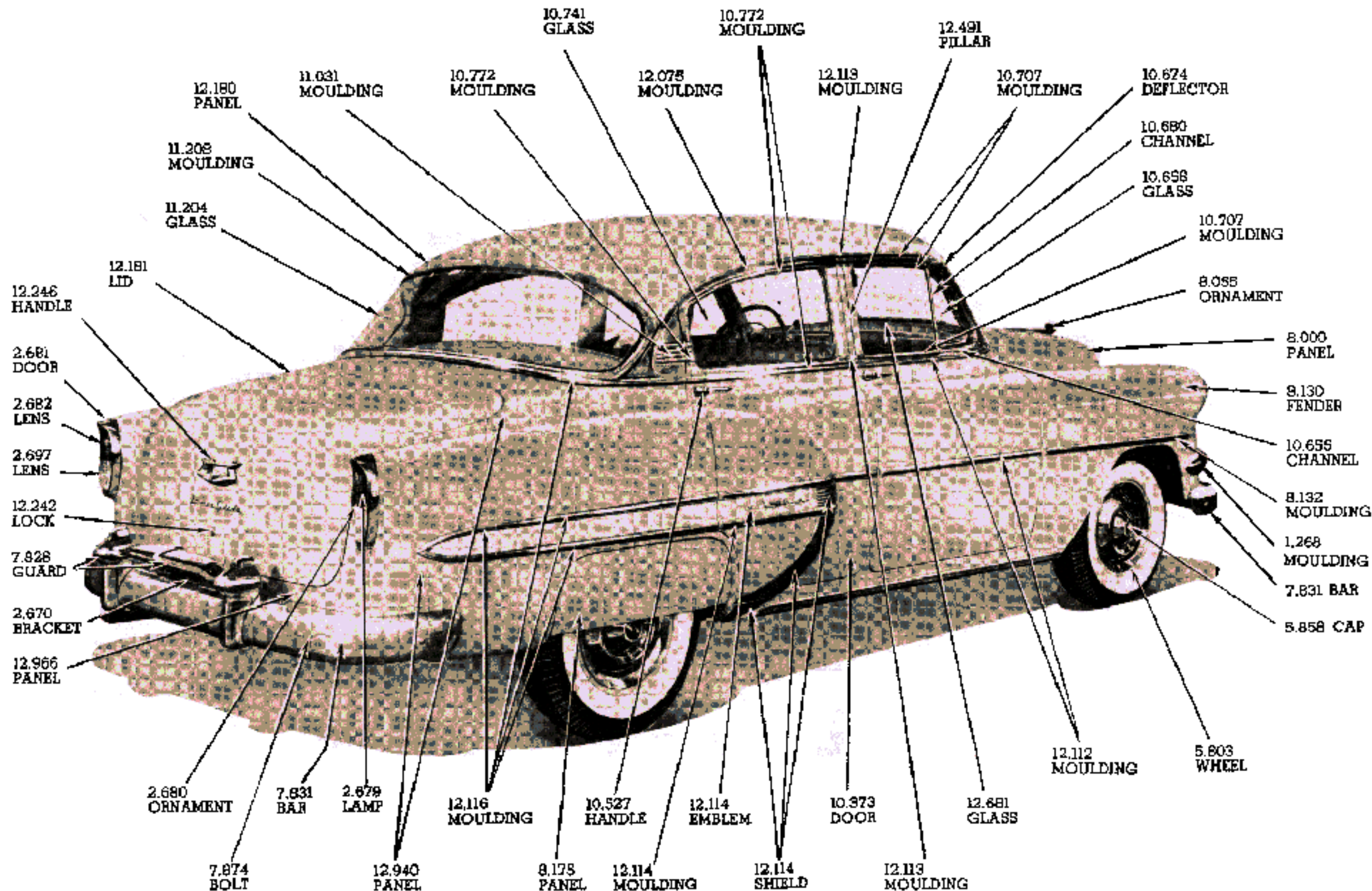
**1954 TWO-TEN FOUR DOOR SEDAN**





1954 BEL AIR SPORT COUPE



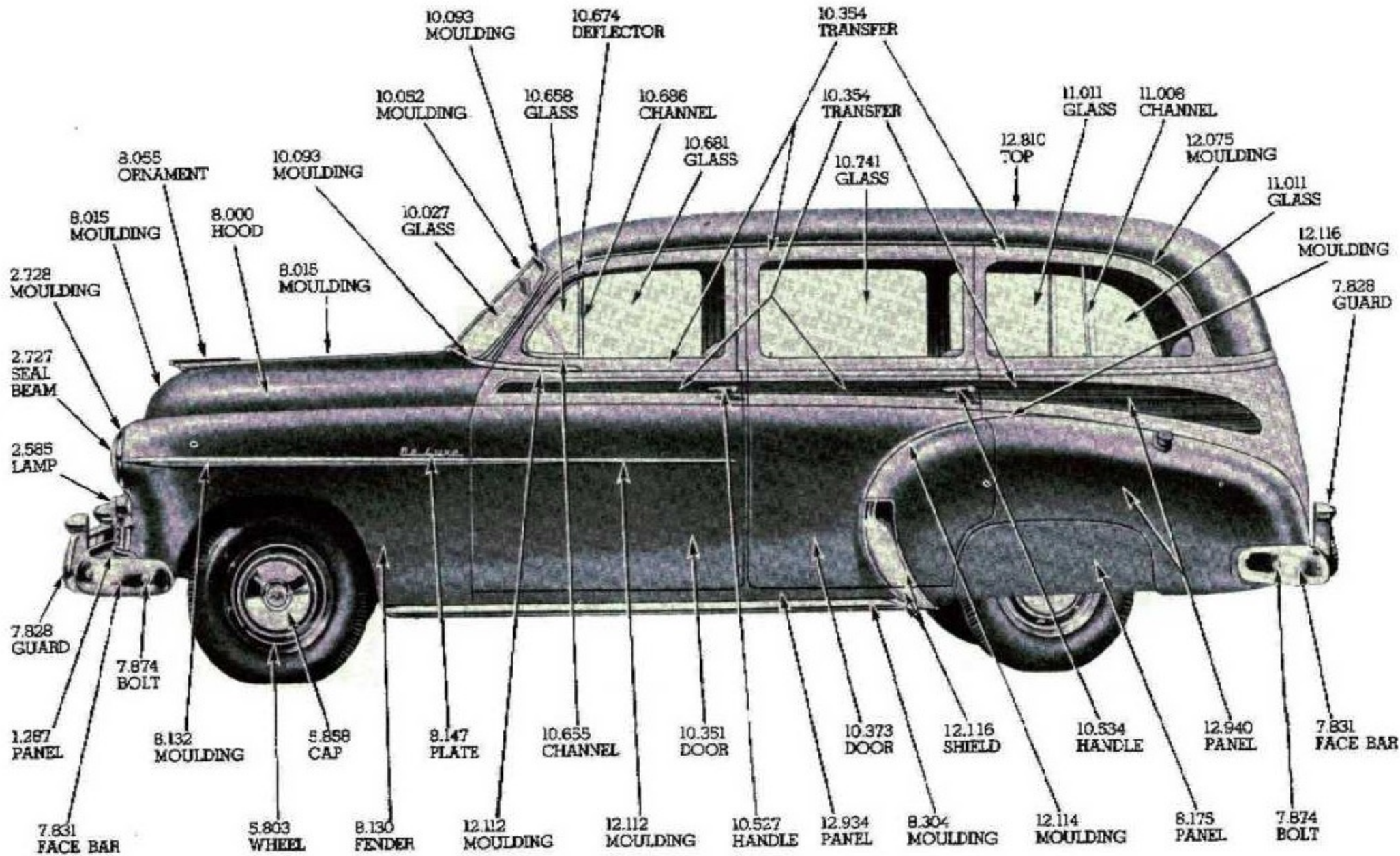


1954 BEL AIR FOUR DOOR SEDAN



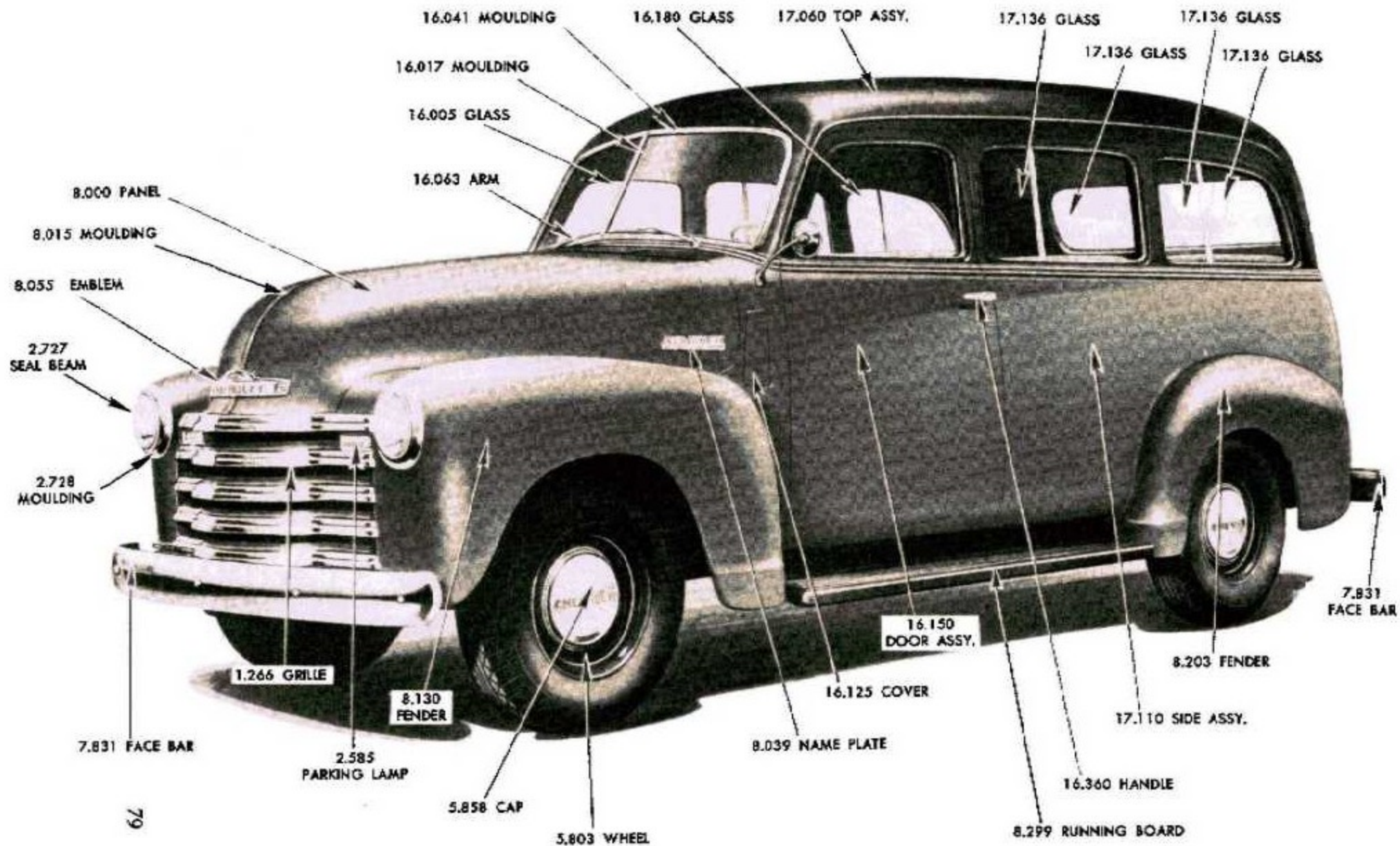






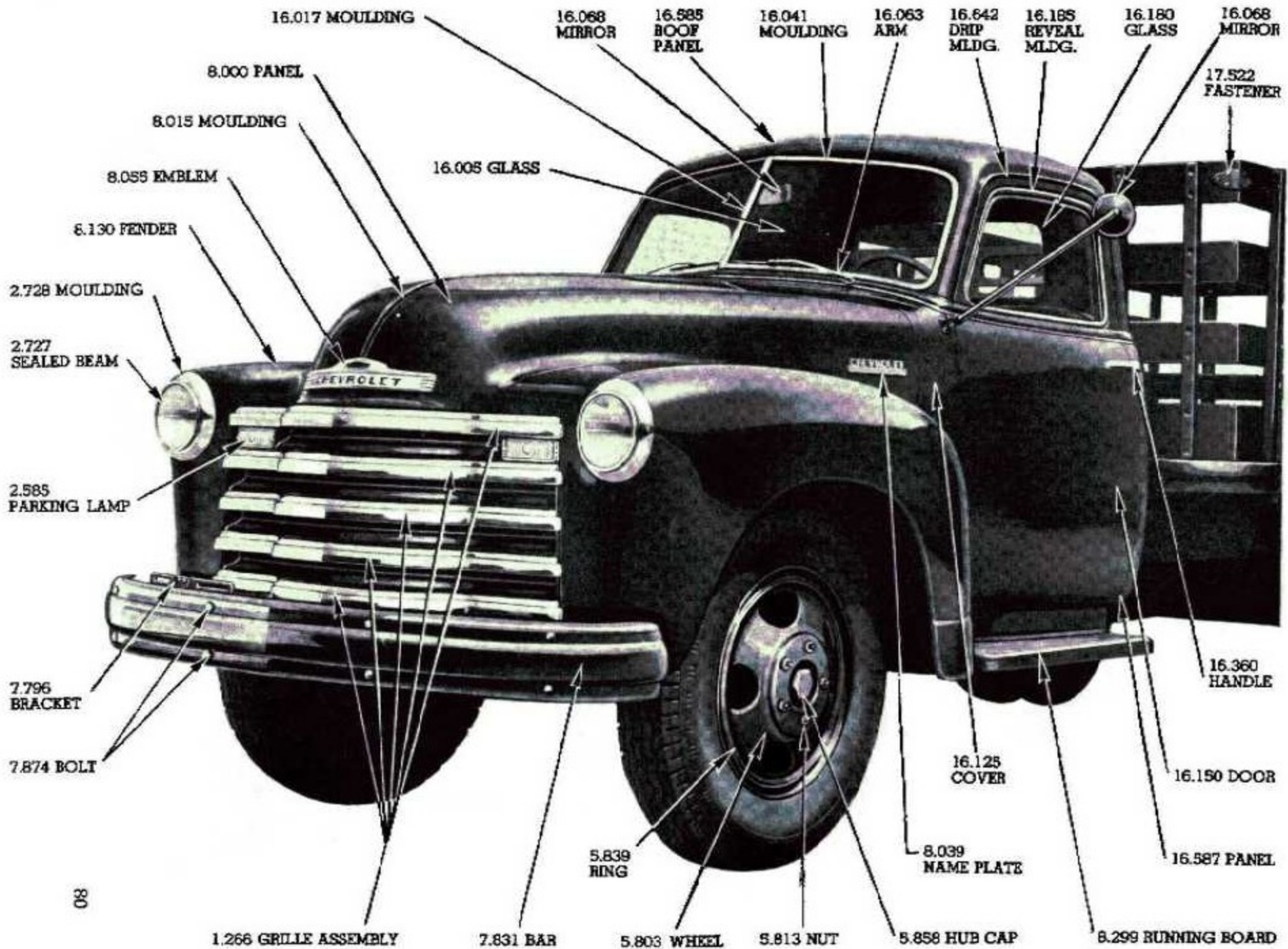
1949-50 STATION WAGON (STEEL)





**SUBURBAN CARRYALL WITH END GATE**

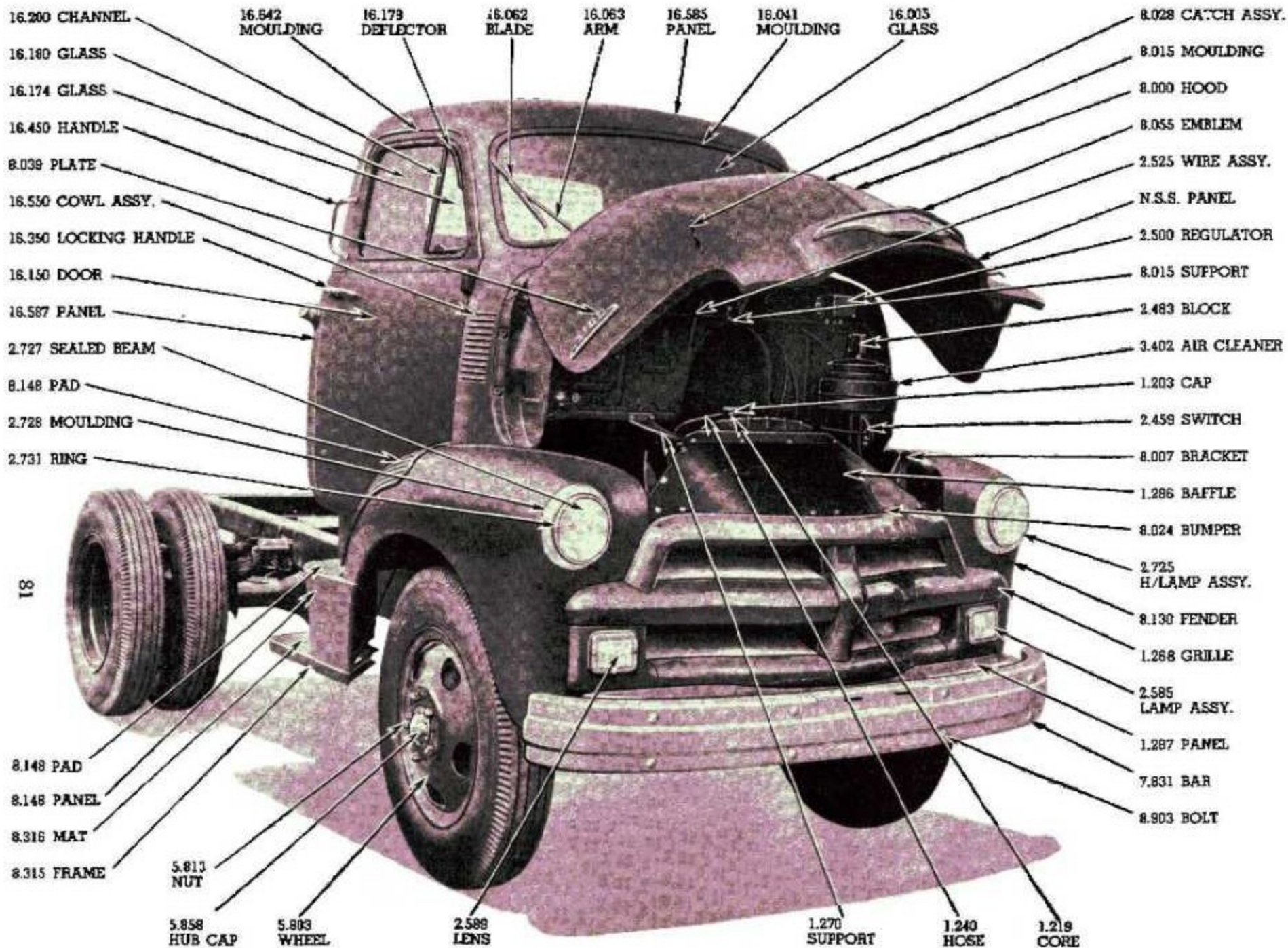




08

**1947-53 TRUCK FRONT END**





**CAB-OVER-ENGINE FRONT END**



8.153 EXTENSION



1.266 GRILLE (UPR.)



1.286 BAFFLE (UPR.)



1.286 BAFFLE (CTR.)



1.269 FASTENER



1.268 MOULDING (SIDE, LWR.)



1.268 MOULDING (CTR., LWR.)



SCREW NO. 10-32x3/8

1.273 SCREWS

WASHER 1/4"



1.303 PLATE



1.274 COVER

1.266 GRILLE (LWR.)



8.120 BRACKET (REAR)



1.285 BAFFLE (LWR.)



8.153 SKIRT (FRONT)



8.120 BRACKET (FRT)

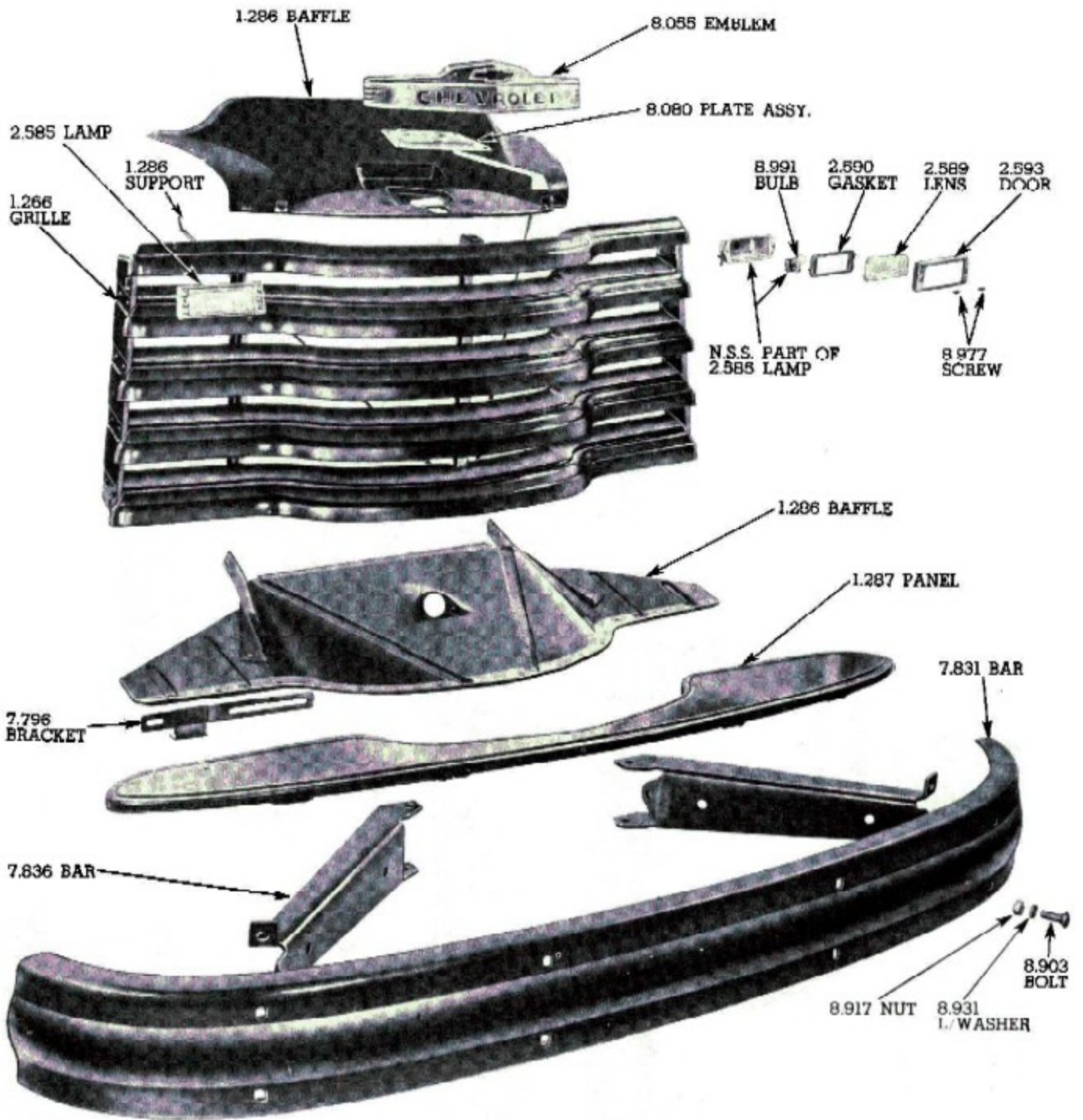


1.263 PANEL (LWR.)



TRUCK GRILLE PARTS





1947-53 UTILITY GRILLE—EXPLODED VIEW

1.286 BAFFLE

8.080 PLATE ASSY.

8.024 BUMPER

1.266 MOULDING

CHEVROLET

1.268 MOULDING

1.268 MOULDING

2.585 LAMP

N.S.S. PART OF  
2.585 LAMP

2.590  
GASKET

2.589  
LENS

8.991 BULB

1.286 BAFFLE

34

1.266 PANEL

1.287 PANEL

8.900 BOLT

8.929  
L/WASHER

8.917 NUT

7.836 BAR

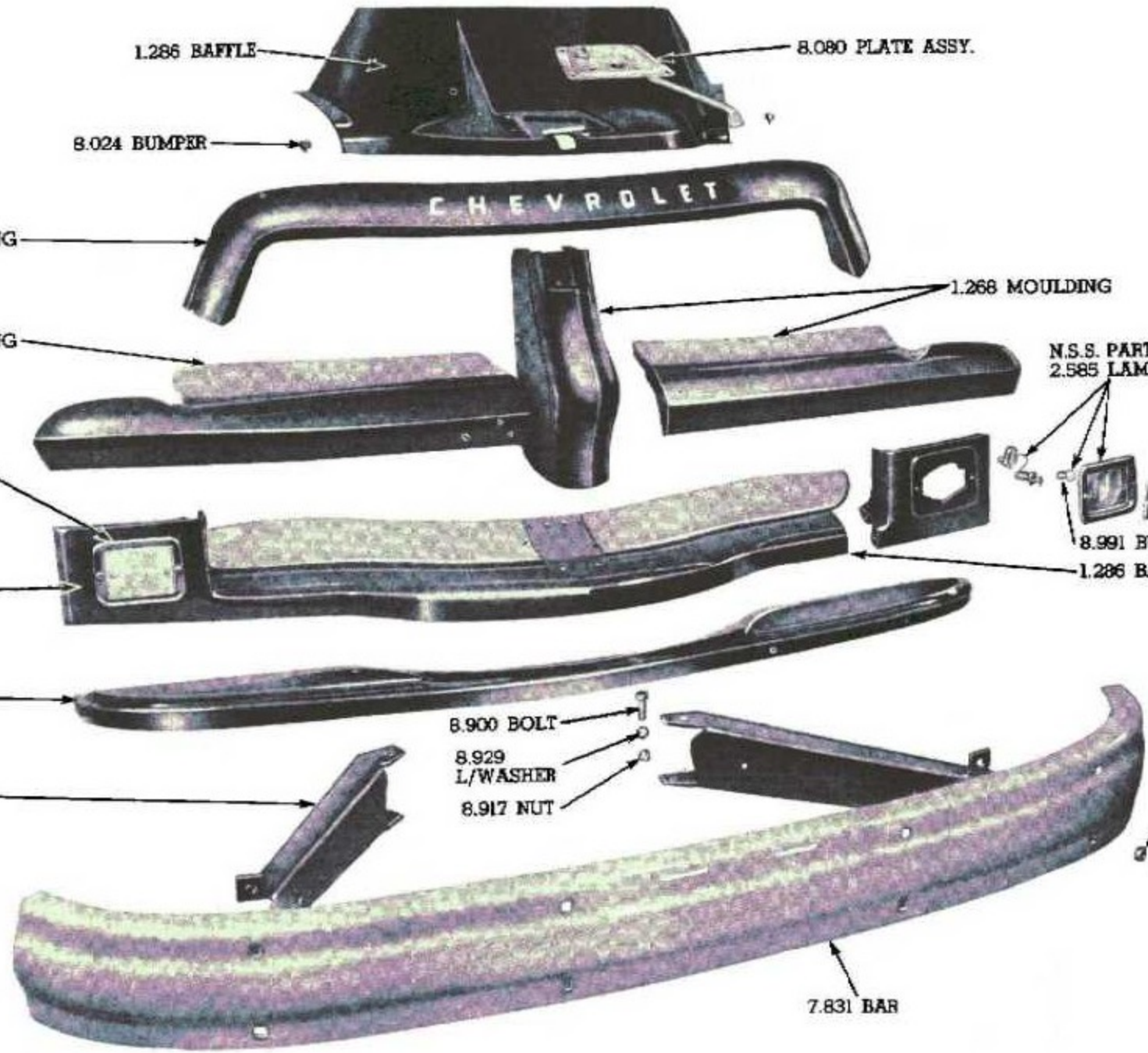
8.917 NUT

8.931  
L/WASHER

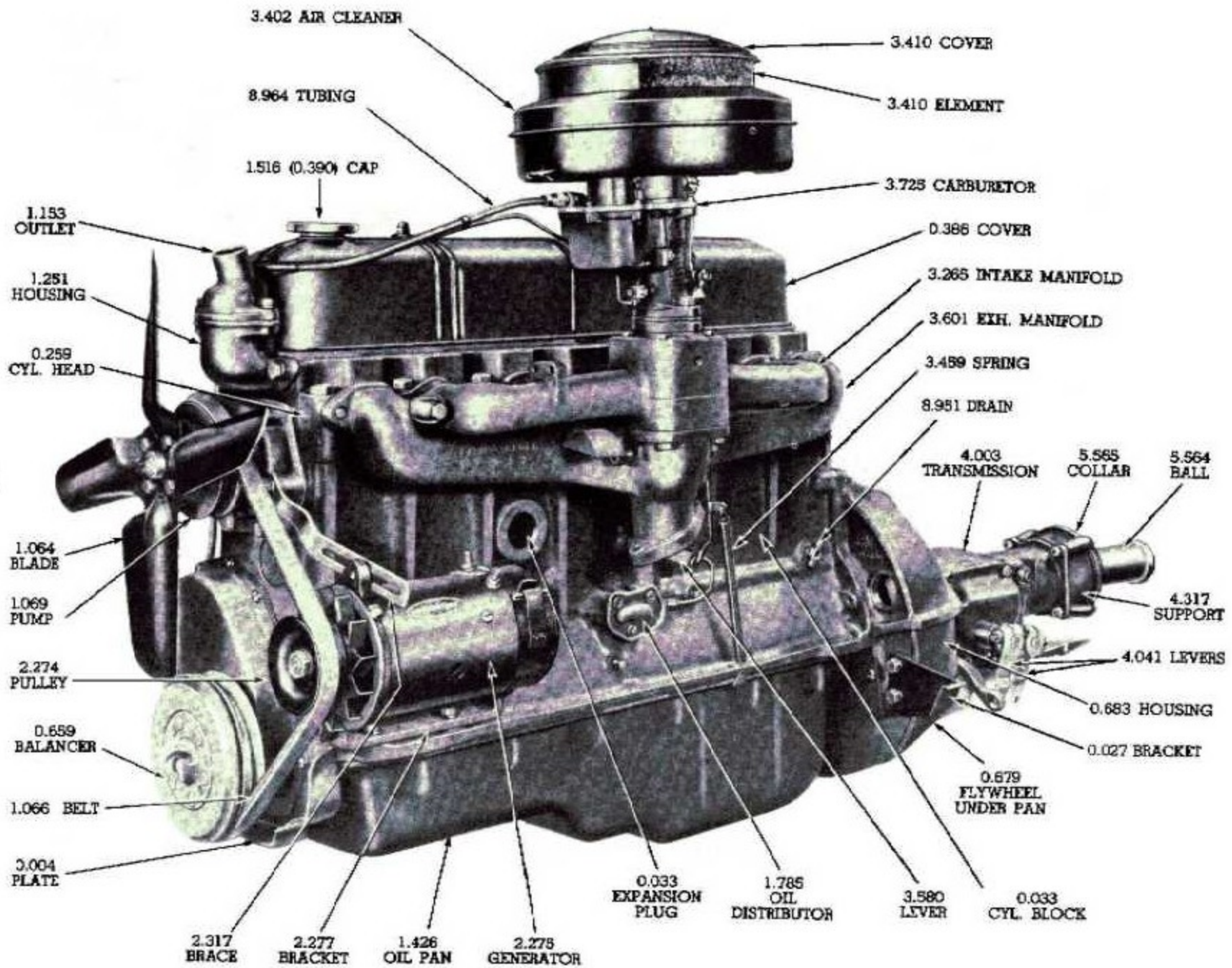
8.903 BOLT

7.831 BAR

1954 TRUCK GRILLE—EXPLODED





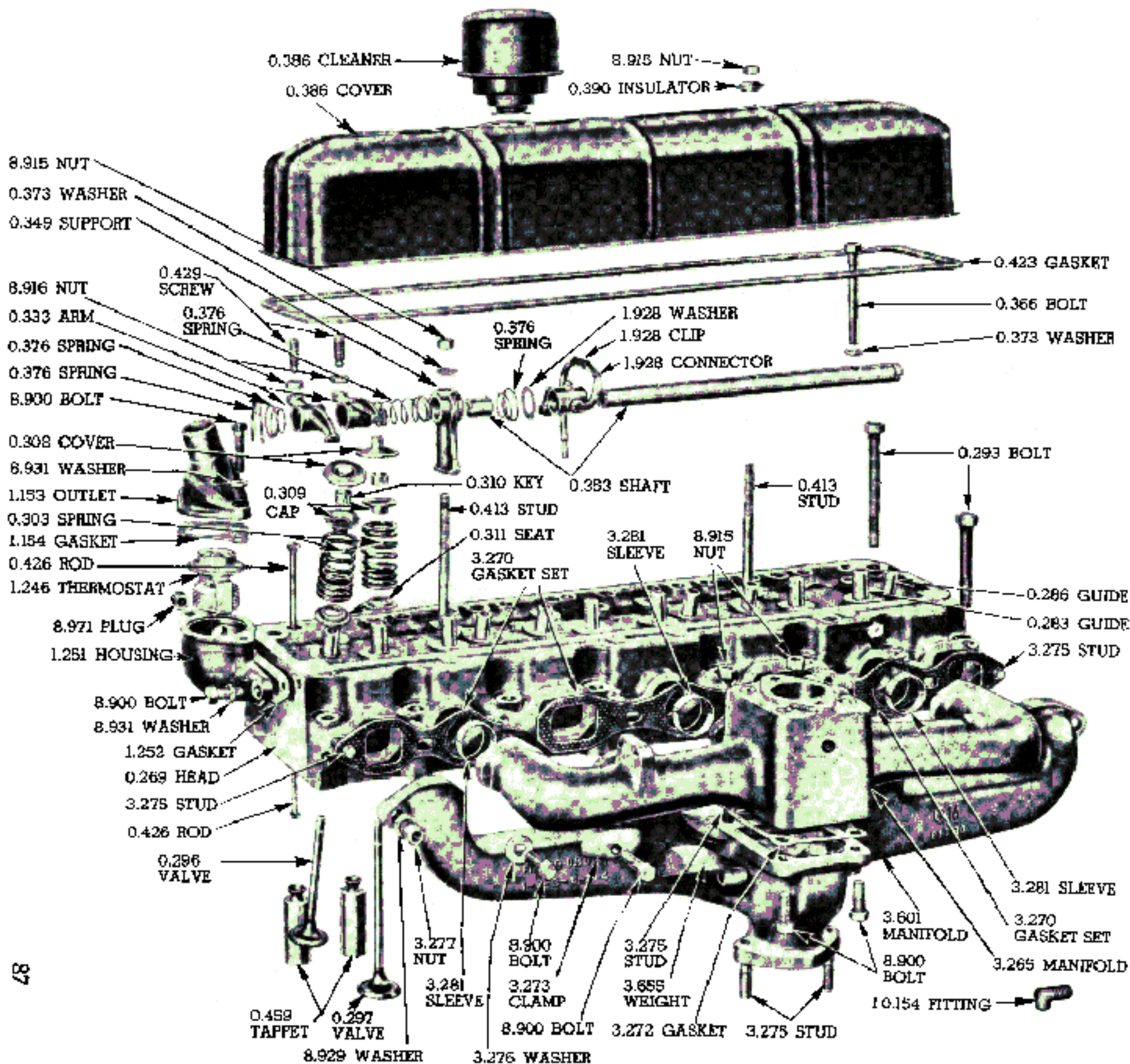


**ENGINE ASSEMBLY—LEFT HAND SIDE**







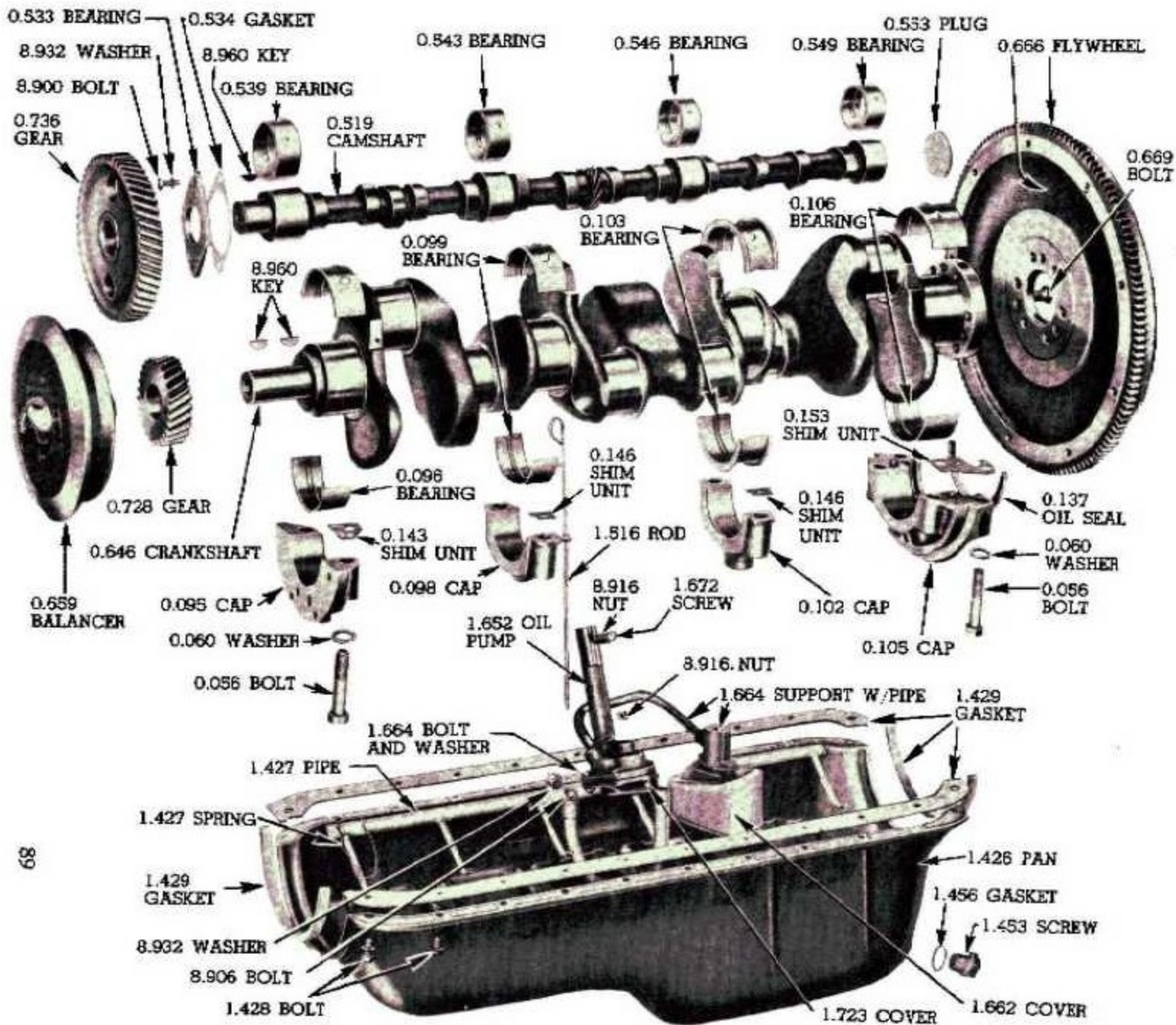


**ENGINE CYLINDER HEAD AND MANIFOLDS**









**ENGINE CAMSHAFT, CRANKSHAFT AND OIL PAN**

**~ BLANK PAGE ~**

**~ BLANK PAGE ~**



# ENGINE ADAPTATION CHART

**NOTE: Items with \* may be transferred from replaced engine or new parts ordered.**

## 3704909—1953 MODEL 216 CU. IN. PASSENGER ENGINE

CAN BE INSTALLED ON FOLLOWING MODELS with these additional parts →	FAN BELT	GENERA-TOR PULLEY	GENERA-TOR FAN	GENERA-TOR BRACKET	ACCEL-ERATOR STUD	CLUTCH HOUSING	EXHAUST MANI-FOLD	UNDER-PAN	UNDER-PAN EXTEN-SION	SPARK PLUGS (6)
1952 Passenger (w/Small Generator)	3703634	3703606								
1952 Passenger (w/Large Generator)	3703634	1925515	1866400	3704771*						
1950-51 Passenger	3703634	1925515	1866400	3835498*						
1949 Passenger	3703634	1925515	1866400	3835498	3835384*					
1941-48 Passenger	3703634	1925515	1866400	3835498	3835384*	604361*	604341*	839335*	839131*	5569761

### SPECIAL APPLICATION INSTRUCTIONS:

- A. The above substitutions are for vehicles with 9" clutch. For jobs with 10 $\frac{3}{4}$ " heavy duty clutch, it will be necessary to replace the new engine clutch assembly with the clutch assembly from replaced engine, or use new parts: 3835453 disc, 3836004 cover and plate assembly, 3705387 flywheel.
- B. All past model installations require Accelerator Stud mounted at center location.

## 3703671—1953 MODEL 216 CU. IN. COMM. AND UTILITY ENGINE

CAN BE INSTALLED ON FOLLOWING MODELS with these additional parts →	FAN BELT	GENERATOR PULLEY	GENERATOR BRACKET	ACCELERATOR STUD	EXHAUST MANIFOLD	CLUTCH HOUSING	SPARK PLUGS (6)
1953 Commercial	3680776	597667	3835672*				
1952 Comm. and Utility (w/Small Generator)			3835672*				
1950-52 Comm. and Utility (w/Large Generator)							
1949 Comm. and Utility			3835498†	3835384*			
1948 Comm. and Utility			3835498‡	3835384*	604341*		5569761
1941-47 Comm. and Utility			3835498‡	3835384*	604341*	3847361*	5569761

### SPECIAL APPLICATION INSTRUCTIONS:

- A. When installing in school bus, transfer crankcase ventilator assembly from replaced engine or install new service ventilator Part No. 3686875.
- † B. Bracket supplied with engine may be used if sufficient adjustment can be made to align fan belt pulleys.

## 3709975—1953 MODEL 235 CU. IN. UTILITY ENGINE (Exc. COE and DUBL DUTI Models)

CAN BE INSTALLED ON FOLLOWING MODELS with these additional parts →	IGNITION DISTRIB-UTOR	GENERA-TOR BRACKET	CAR-BURETOR ASSEMBLY	CAR-BURETOR INSULATOR	ACCEL-ERATOR STUD	EXHAUST PIPE	MUFFLER ASSEMBLY	SPARK PLUGS (6)	CLUTCH HOUSING
1953 Utility†									
1950-52 Utility	1112388	3835672*							
1947-49 Utility	1112388		7004468	3692799	3835384*	3693715	3693710	5569831 (47-48 Only)	3847361* (47 Only)

### SPECIAL APPLICATION INSTRUCTIONS:

- A. Use new service governor 3693461 and governor installation kit 3699495 to replace 1947-49 governor equipment.
- B. Distributor drive gear must be of same material as camshaft in the engine assembly.  
Distributor gear identification.  
a) Steel gear has plain shank.  
b) Cast iron gear has groove on shank.
- C. A high pressure oil gauge is included in the loose parts package furnished with this engine. This oil gauge is required when installing this full force feed oil flow engine.

### CAUTION:

**It is imperative that distributor drive gear supplied loose with engine is used when making this installation.**

**NOTE: Items with \* may be transferred from replaced engine or new parts ordered.**

**3710605—1954 MODEL 235 CU. IN. COE AND DUBL DUTI ENGINE**

CAN BE INSTALLED ON FOLLOWING MODELS with these additional parts →	CLUTCH HOUSING	OIL GAUGE	DISTRIB-UTOR ASSEMBLY	GENERA-TOR PULLEY	EXHAUST PIPE	MUFFLER ASSEMBLY	FAN BELT	SPARK PLUGS (6)	GENERA-TOR BRACKET
1953 COE	3847679*	1507963							
1950-52 COE	3847679*	1507963	1112388	3700301 (50-51 Only)					
1948-49 COE	3847679*	1507963	1112388	3700301	3693714	3693710		5569831 (48 Only)	
1947 COE	3847361*	1507963	1112388	3700301	3693714	3693710		5569831	
1954 Dobl-Duti				597667			3680776		3835672*
1953 Dobl-Duti	3847679	1507963		597667			3680776		3835672*
1950-52 Dobl-Duti	3847679	1507963	1112388	3700301 (50-51 Only)					3835672* See †
1948-49 Dobl-Duti	3847679	1507963	1112388	3700301	3687496	3693710		5569831 (48 Only)	

**SPECIAL APPLICATION INSTRUCTIONS:**

- A. On DUBL-DUTI or COE with positive crankcase ventilation, transfer valve rocker cover from replaced engine, or rework new cover to fit closed ventilation system.
- B. Distributor drive gear must be of same material as camshaft in the engine assembly.  
Distributor gear identification:  
Steel gear has plain shank.  
Cast iron gear has groove on shank.

**CAUTION:**

It is imperative that distributor drive gear supplied loose with engine is used when making this installation.  
†1952 small generator only.

**3709969—1954 MODEL 235 CU. IN. PASSENGER ENGINE WITH POWER GLIDE**

CAN BE INSTALLED ON FOLLOWING MODELS with these additional parts →	OIL GAUGE	CAR-BURETOR ASSEMBLY	DISTRIB-UTOR ASSEMBLY	VACUUM CONTROL	FAN BELT	GENERA-TOR PULLEY	GENERA-TOR FAN	GENERA-TOR BRACKET	PIPE CONNEC-TION
1953 Passenger w/P.G.‡									
1952 Passanger w/P.G. (w/ Small Generator)	1508084	7005922	1112396	1116076	3703634	3703606			
1952 Passanger w/P.G. (w/ Large Generator)	1508084	7005922	1112396	1116076	3703634	1925515	1866400	3704771*	
1951 Passenger w/P.G.	1508084	7005922	1112396	1116076	3703634	1925515	1866400	3835498*	114633
1950 Passenger w/P.G.	1508083	7005922	1112396	1116076	3703634	1925515	1866400	3835498*	114633

**SPECIAL APPLICATION INSTRUCTIONS:**

- A. When installing this engine assembly in models equipped with power steering, it will be necessary to transfer the harmonic balancer and pump bracket to cylinder head bolt from the replaced engine assembly, or use new parts: 3705099 harmonic balancer, 3703621 bolt.
- B. All models prior to 1953 require accelerator stud mounted at center location in cylinder block.
- C. Distributor drive gear must be of same material as camshaft in engine assembly.  
Distributor gear identification:  
Steel gear has plain shank.  
Cast iron gear has groove on shank.

**CAUTION:**

It is imperative that distributor drive gear supplied loose with engine is used when making this installation.

**3709971—1954 MODEL 235 CU. IN. PASSENGER ENGINE**

CAN BE INSTALLED ON FOLLOWING MODELS with these additional parts →	DISTRIB-UTOR ASSEMBLY	OIL GAUGE	OIL PIPE	OIL PIPE FITTINGS (2)
1953 Passenger (Exc. P. G., SDL.)	1112388	1507960	3704270	3707140

**SPECIAL APPLICATION INSTRUCTIONS:**

- A. Distributor drive gear must be of same material as camshaft in engine assembly.  
Distributor gear identification:  
Steel gear has plain shank.  
Cast iron gear has groove on shank.

**CAUTION:**

It is imperative that distributor drive gear supplied loose with engine is used when making this installation.

**3709973—1954 MODEL 235 CU. IN. COMM. AND UTILITY ENGINE (For 1954 Usage Only)**

CAN BE INSTALLED ON FOLLOWING MODELS with these additional parts →	FAN BELT	GENERA-TOR PULLEY	GENERA-TOR BRACKET
1954 Commercial (Exc. Dobl-Duti)	3680776	597667	3835672*



# CHEVROLET MASTER PARTS CATALOG

YEAR	MODEL	PART NAME	PART NO.	LIST PRICE
<b>0.000 ENGINE ASSEMBLY</b>				
EXCHANGE ITEM				
41-52	PASS. (216) (exc. P.G.),			
53	SDL (216)	(w/9" clutch)	3704909*†	297.00
41-53	COMM., 1½ TON (216) (exc. hvy. duty, D-D)	(w/10¾" clutch)	3703671*†	297.00
47-53	UTILITY (235)	(w/10¾" clutch)	3709973*†	323.50
47-54	DUBL-DUTI, COE (235)	(w/10¾" clutch)	3710605*†	349.50
50-54	PASS. w/P.G. (235)		3709969*†	319.50
53	PASS. (235) (exc. P.G., SDL),			
54	PASS. (exc. P.G.)	(w/9" clutch)	3709971*†	310.00
54	COMM., UTIL. (exc. 261, D-D, COE)	(w/10¾" clutch)	3709973*†	323.50
54	2 TON (261) (exc. COE)	(w/10¾" clutch)	3709979*	349.50
54	COE (261)	(w/10¾" clutch)	3711753*	

The above engine assemblies are complete less the following major parts:

Air Cleaner	Clutch Throwout Bearing	Generator	Ignition Wires
Carburetor	Fuel Pump	Ignition Coil	Spark Plugs
Clutch Fork	Fuel Pipe	Ignition Vacuum Control	Starting Motor
	Fan Blades	Ignition Distributor	Ventilator Assy.

(NOTE: When installing the above service engines on applicable past models, certain non-interchangeable parts must be discarded and replaced with parts that fit the replacing engine. The preceding charts shown on pages 91 and 92, include pertinent facts regarding the parts and special application instructions that are necessary with service engines on past model installations.

\*Exchange Price Shown. Add \$10.00 to prices if used Chevrolet Engine Assembly is not exchanged.

## 0.002 BOLT—NUT—SPRING—WASHER—SPACER, Engine Mounting

29-36	ALL (exc. CA, DA, DC, EA, EC, ED, FA, FC, FD)	rear hold down (⅞—20 x 1⅞ drld.)	358279	2	.13
32-36	BA, C, O, DC, P, EB, Q, FB, R	frt. mtg. brkt. (⅞—24 x 1½ drld., carr. hd.)	368455	1	.08
36-39	FC, GB, HB, JB	frt. mtg. (⅞—20 x 2⅞)	476093	2	.13
37-38	GA, HA	frt. mtg. to frame (⅞—20 x 3⅞)	596286	2	.13
37-54	COMM., UTIL.	frt. mtg. (⅞—24 x 1⅞ carr. hd.)	3701135	2	.07
37-46	UTILITY	rear hold down (part of unit 602790) (⅞—24 x 4⅞ drld.—⅞ dia. shoulder)	602789	2	.20
38-53	COMM., UTILITY	rear mtg. (⅞—14 x 1⅞—⅞ dia. shldr.)	598105	4	.10
39	IA	frt. mtg. (⅞—20 x 3⅞—⅞ dia. shldr.)	3650168	2	.13
47-53	UTILITY	rear hold down (part of unit 3689112) (⅞—24 x 3⅞—⅞ dia. shoulder)	3688523	2	.20
52-54	PASS.	frt. mtg. (⅞—20 x 3⅞)	3700337	2	.17
54	COMM., UTIL.	rear mtg. (½—13 x 3⅞)	3705450	2	.15
37-53	COMM., UTILITY	NUT, frt. mtg. bolt (⅞—24 sltd.)			
37-53	UTILITY	rear brkt. (part of unit 602790)	838283	2	25/1.05
32	BE, N	SPRING, frt. mtg. (5½ coils—½ I.D.)			
37-53	UTILITY	rear brkt. (part of units 602790 and 3689112)	368258	2	.13
37-54	COMM., UTILITY	WASHER, frt. mtg. (⅞ I.D. x 1⅞ O.D.)	352282	2	.02
40-54	COMM., UTIL. (exc. COE)	WASHER, frt. mtg. (⅞ I.D. x 1¼ O.D.)	365685	2	(4.664)
52-54	PASS.	WASHER, frt. mtg. bolt (1⅞ x 1⅞ x ⅞ thick)	3700338	2	.06
37-46	UTIL., KF, AN, BN, DS	SPACER, rear hold down (½ I.D. x ¾ O.D. x 2⅞)	594120	2	.13
47-53	1 TON, UTILITY	SPACER, rear hold down (½ I.D. x ¾ O.D. x 1⅞)	3684754	2	.12
52-54	PASS.	SPACER, frt. mtg. bolt (tube) (⅞ O.D.)	3700333	2	.23
54	COMM., UTIL.	SPACER, rear mtg. (1⅞ O.D. x 2⅞ long)	3705449	2	.23

## 0.003 LOCK, Engine Mounting Bolt

37-48	PASS.	side mtg. to supt. brkt. bolt	3650496	4	.04
37-48	PASS.	front mtg. to cross/m bolt	594652	2	.04
40-48	PASS.	side supt. cushion to frame bolt	3653129	2	.04

#### 0.004 PLATE, Engine Front Mounting

35-36	ALL.....	(w/2 bolts—1 1/8 cam hole—2 rnct. on lower flange).....	604913	1	2.97
37-53	ALL.....	(w/2 bolts—2 1/4 cam hole).....	3690511*	1	2.97
54	ALL.....	(2 3/8 cam hole).....	3709945	1	2.95

\*NOTE: Gasket 3635829 must be used with 3690511, which has straight oil groove between nozzle hole and cam opening. When installing on 1937-48 PASS, cut bolts flush with bottom of flange.

#### 0.005 GASKET, Engine Front Mounting Plate

35-36	ALL.....		837651	1	.14
37-48	ALL.....	(2 1/4 cam hole).....	839048*	1	.14

\*NOTE: 839048 can only be used with crankcase frt. end plate having circular oil groove between nozzle hole and cam opening.

49-53	ALL.....	(2 1/4 cam hole) (use w/3690511).....	3635829	1	.14
54	ALL.....	(2 3/8 cam hole).....	3703488	1	.14

#### 0.010 GASKET UNIT, Engine or Tune Up

37-52	ALL.....				
53	ALL (exc. P.G.).....	(engine).....	3702872	1	1.92
53	PASS. w/P.G.....	(engine).....	3702858	1	1.70
54	ALL.....	(engine).....	3709879	1	2.10

NOTE: The above Engine Gasket Units with Oil Pan Gasket Unit and Cylinder Head Gasket Unit provide all necessary Gaskets for complete engine overhaul or short motor installation.

38-49	ALL (exc. D-D, COE).....	(w/Carter Carb.) (tune up kit).....	609950	1	.42
-------	--------------------------	-------------------------------------	--------	---	-----

NOTE: 609950 consists of: carb. bowl cover gasket, carb. pump cyl. gasket, fuel pump bowl gasket and 12 spark plug seat gaskets.

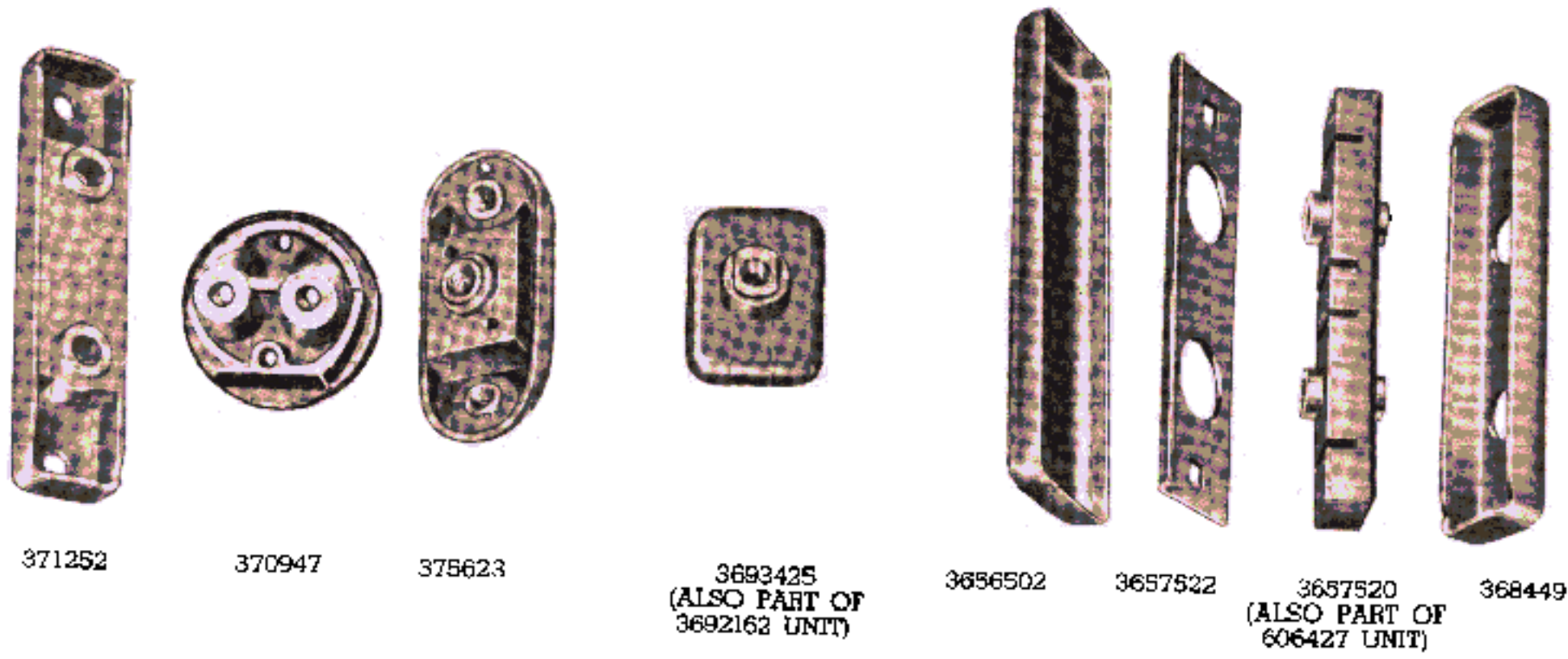
49-52	ALL (exc. P.G., D-D, COE).....	(w/Roch. Carb.) (tune up kit).....	3694821*	1	.42
53-54	ALL (exc. D-D, COE).....	(tune-up kit).....	3704136*	1	.60

\*NOTE: Consists of carb. air horn to float bowl gasket, fuel pump bowl gasket and 12 spark plug gaskets.

#### 0.027 MOUNTING, Engine (also see group 4.061)

32	BA, BB,				
33-54	COMM., UTILITY.....	front.....	3657520	1	1.72
NOTE: When using 3657520 on 1937-40 jobs it is also necessary to use 1—3657522 plate, 1—3656502 shield and 2—352282 washers.					
33-34	CA, CC, DC.....	front.....	371252	1	2.30
34	DA.....	front.....	375623	2	2.55
36-39	FC, GB, HB, IB,				
50-51	PASS. w/P.G.....	front.....	3659291	2	1.70
35-51	PASS. (exc. FC, GB, HB, IB, P.G.).....	front (molded 3693425).....	3693425	2	1.72
37-46	COMM., S,				
47	COMM. (exc. 1/2 TON, 2nd design),				
48-53	COMM. (exc. 1/2 TON).....	rear.....	3702198*	2	2.22
*NOTE: Has same ident. number as 3702173, also has band of yellow paint on outer edges.					
38-53	UTILITY.....	rear (molded 3702173).....	3702173	2	2.22
47-53	1/2 TON (2nd design).....	rear (molded 756700).....	756700	2	2.34
52-54	PASS.....	lower (molded 3700332).....	3700332	2	.70
52	PASS.,				
53-54	PASS. (exc. CONV.).....	upper (molded 3702889).....	3702889	2	1.56
53-54	CONV.....	upper (molded 3703873).....	3703873	2	1.56
54	COMM., UTIL.....	rear upper (molded 3705444).....	3705444	2	1.95
54	COMM., UTIL.....	rear lower (molded 3705447).....	3705447	2	.85
35-48	PASS. (exc. FC, GB, HB, IB, CONV.).....	MOUNTING UNIT (consists of: 2 side supt. cushions and 2 front mtgs.).....	3692162	1	5.76
37-40	COMM., S,				
41-47	COMM. (exc. 1/2 TON w/hvy. duty clutch) (1st design).....	MOUNTING UNIT (consists of: 1 front mounting bushing and 2 rear mountings).....	606427	1	5.92
48-53	COMM. (exc. 1/2 TON, D-D).....	MOUNTING UNIT (consists of: 1 front mounting bushing and 2 rear mountings).....	3847609	1	6.28
47-53	1/2 TON (2nd design).....	MOUNTING UNIT (consists of: 1 front mounting bushing and 2 rear mountings).....	3847691	1	6.04





371252

370947

375623

3693425  
(ALSO PART OF  
3692162 UNIT)

3656502

3657522

3657520  
(ALSO PART OF  
606427 UNIT)

368449



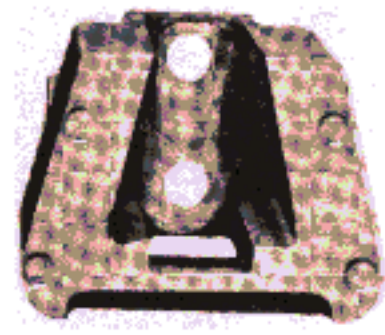
756056-7  
(ALSO PART OF  
3692162 UNIT)



375630



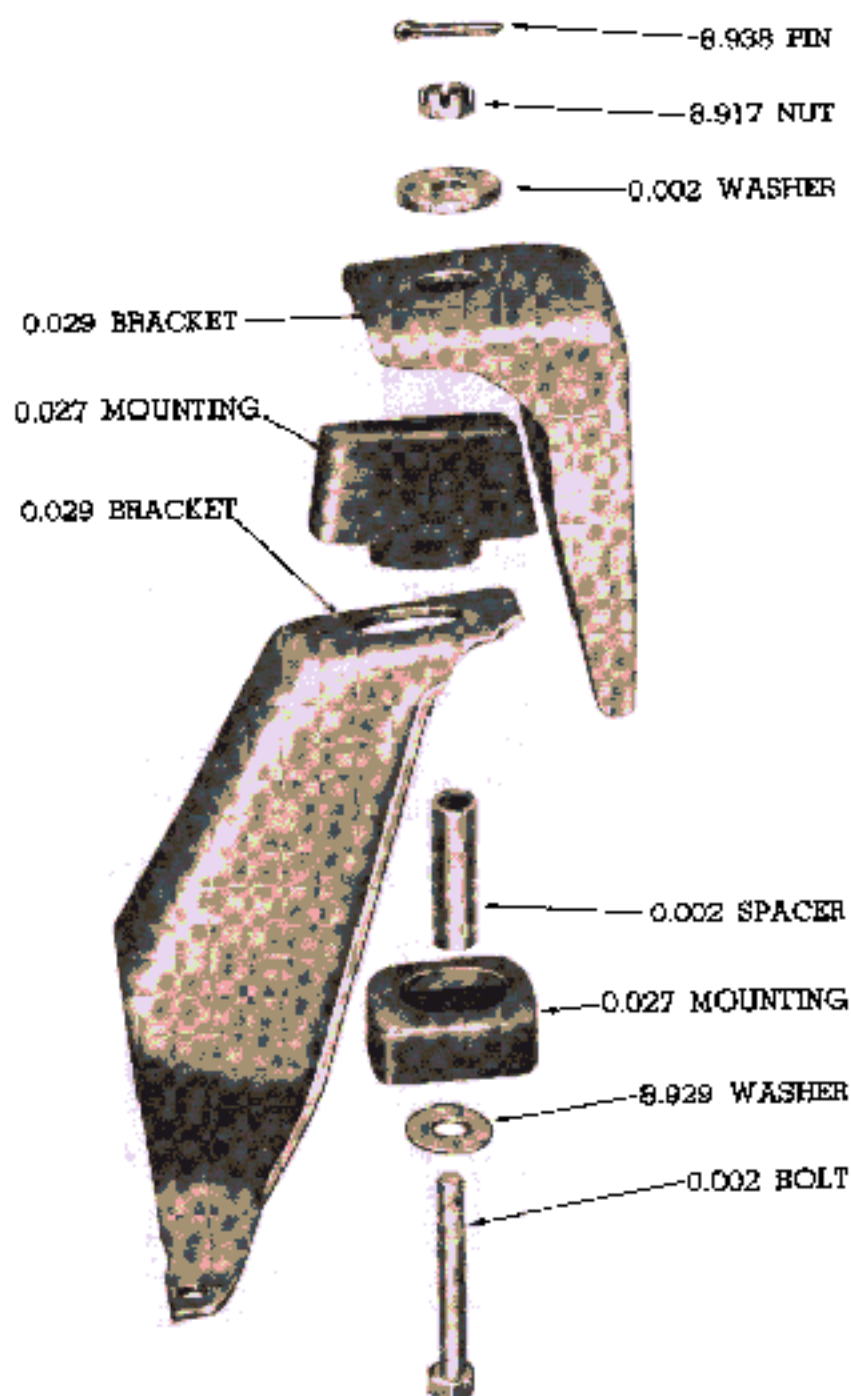
377928



3702173  
3702198

**ENGINE MOUNTING PARTS**  
(GROUPS 0.027 and 0.029)

49-51	PASS. (exc. P.G.)	MOUNTING UNIT (consists of: 2 side supt. cushions and 2 front mtgs.)	3695353	1	5.56
54	COMM., UTIL.	MOUNTING UNIT (consists of: 1 front mounting bushing and 2 rear mtgs.)	3709623	1	6.95
32-36	BA, CB, CC, DB, EB, FB	CUSHION, rear	838805	2	1.93
33-34	CA, DC	CUSHION, side supt.	370947	2	2.30
34	DA	CUSHION, side supt.	375630	2	2.07
35-48	PASS. (exc. CONV.)	CUSHION, supt., L. (molded 756056)	756056	1	1.38
35-48	PASS. (exc. CONV.)	CUSHION, supt., R. (molded 756057)	756057	1	1.38
35-48	CONV.	CUSHION, side supt.	377928	2	1.38
49-51	PASS.	CUSHION, side supt.	3688111	2	1.16
<b>0.029 BRACKET-PLATE-SHIELD-RETAINER, Engine Mounting (also see groups 7.228 and 7.229)</b>					
37-48	PASS.	side supt., L.	594911	1	.37
37-48	PASS.	side supt., R.	594912	1	.37
49-51	PASS.	side supt., L.	3688109	1	.37
49-51	PASS.	side supt., R.	3688110	1	.37
40-48	PASS. (exc. CONV.)	side supt., frame, L.	3686007†	1	.42



### ENGINE SIDE MOUNTING

40-48	PASS. (exc. CONV.)	side supt., frame, R.	3686008†	1	.42
†NOTE: When using 3686007 and 3686008 brackets it is necessary to use 756056 and 756057 side support cushions.					
49-51	PASS. (exc. CONV., B-A)	side supt., frame, L.	3683807	1	.48
49-51	PASS. (exc. CONV., B-A)	side supt., frame, R.	3683808	1	.48
49-51	CONV.	side supt., frame	3688196	2	.37
29-36	A, L, M, BB, N, O, P, Q, F, H.	rear	835588	2	.53
37-53	UTILITY	rear (part of 602790-3689112)	602797	2	.37
52-54	PASS. (exc. P/S)	frame mtg., L.	3700305	1	2.32
52-54	PASS.	frame mtg., R.	3700306	1	2.32
52-54	PASS.	engine mtg., L.	3700329	1	1.06
52-54	PASS.	engine mtg., R.	3700330	1	1.06
53-54	ALL P/S.	frame mtg., L.	3704061	1	2.70
37-46	UTILITY	UNIT, rear (consists of: 2 rear brkts., 2 hold down bolts, 2 bolt springs and attach. parts)	602790*	1	1.38
47-53	UTILITY	UNIT, rear (consists of: 2 rear brkts., 2 bolts, 2 springs and attach. parts)	3689112*	1	1.35
37-54	COMM., UTILITY	PLATE, frt. mtg. top (7 $\frac{1}{8}$ x 2 wide)	3657522	1	.37
37-54	COMM., UTILITY	SHIELD, frt. mtg. (7 $\frac{1}{8}$ x 2 $\frac{1}{2}$ wide)	3656502	1	.37
32	BA, BB,				
33-34	COMM., UTILITY	RETAINER, frt. mtg. (7 $\frac{1}{8}$ x 1 $\frac{1}{2}$ wide)	368449	2	.47

\*NOTE: 602790-3689112 are used to replace rubber mtgs. for heavy duty service.



**0.033 BLOCK ASSEMBLY, Cylinder**

**PARTIAL ENGINE**

NOTE: Partial engine includes block, crankshaft, camshaft, timing gears, pistons, connecting rods and front end plate. Bolts on front end plate may have to be cut off Bush when installing on PASS. jobs.

**EXCHANGE ITEM**

41-49	ALL w/235.....	(cast 3835309 on block).....	3688771*	1	178.50
	NOTE: When using 3688771 on 1941 jobs, it is necessary to use 3705387 Flywheel, (6) 839756 Bolts, and (3) 3835664 Locks. On 1941-47 models, it is necessary to install Oil Pump Screen Cover Support w/Pipe, Part No. 3835365.				
41-53	ALL w/216.....	(cast 3835849 on block).....	3701166*	1	169.50
	NOTE: When using 3701166 on 1941 jobs w/9" clutch plate, it is necessary to use 839776 Flywheel and (6) 839756 Bolts. On 1941 jobs w/10 <sup>3</sup> / <sub>4</sub> " clutch plate, it is necessary to use 3705387 Flywheel, (6) 839756 Bolts, and (3) 3835664 Locks. On 1941-47 models, it is necessary to install Oil Pump Screen Cover Support w/Pipe, Part No. 3835365. On models prior to 1950, 3835498 Generator Bracket must be used. On 1941-47 models with 216 cu. in. engine, provide <sup>1</sup> / <sub>2</sub> in. clearance between oil suction pipe and upper edge of oil pan tray, at a point opposite number 4 connecting rod by peening the tray and also pan if necessary. Do not bend oil pipe to secure clearance.				
50-52	ALL w/235 (exc. P.G.).....	(cast 3835692).....	3701167*	1	178.50
50-52	PASS. w/P.G.....	(cast 3835692).....	3701168*	1	182.50
53	PASS. w/P.G.....	(cast 3701481).....	3703631*	1	196.50
53	ALL w/235 (exc. P.G.).....	(cast 3701946).....	3703629*	1	178.50
54	PASS. w/P.G.....	(cast 3701481).....	3707735*	1	189.50
54	ALL w/235 (exc. P.G.).....	(cast 3701481).....	3709607*	1	183.50
54	ALL w/261.....	(cast 3702436).....	3707737*	1	198.50

\*Exchange Price Shown. Add \$10.00 to prices if used Chevrolet Cylinder Block Assembly is not exchanged.

**CYLINDER BLOCK ONLY (Includes bearing caps and bolts)**

35-36	ALL.....	(cast 836010).....	602028	1	63.35
	NOTE: When installing 602028 on 1935 jobs it is necessary to use 836075 Water Pump, 836080 Pump Gasket, 836049 Nipple, and 114962 Nut.				
37-39	ALL.....	(cast 838941).....	603401	1	63.35
	NOTE: When installing 603401 on 1937 jobs omit the valve tappet springs and retainers and use valve spring 839304.				
40	ALL.....	(cast 839132).....	604370	1	63.35
41-49	ALL w/235.....	(cast 3835309) (w/main brgs.).....	3692681	1	74.37
	NOTE: When 3692681 is used on 1941, the ck/shaft rear Brg. Oil Seal must be replaced by 2-3692121; on all models prior to 1948, the Oil Pump Screen Cover Support must be replaced by 3835365.				
41-53	ALL w/216.....	(cast 3835849).....	3701164†	1	71.60
	†NOTE: On 1941 models the ck/shaft rear Brg. Oil Seal must be replaced by 2-3692121; on 1941-47, Oil Pump Screen Cover Support must be replaced by 3835365; on 1941-49, 3835498 Generator Bracket must also be used.				
50-52	ALL w/235.....	(cast 3835692).....	3701165	1	74.37
53	PASS. w/P.G.....	(cast 3701481).....	3703630	1	74.37
53	ALL w/235 (exc. P.G.).....	(cast 3701946).....	3703628	1	74.37
54	ALL w/235 (exc. A.T.).....	(cast 3701481).....	3707736	1	78.50
54	ALL w/261.....	(cast 3702436).....	3707821	1	85.00

**CYLINDER BLOCK EXPANSION PLUGS (Also see 8.970)**

36	ALL.....	left side block (2 in.),			
37-54	ALL.....	front in block,			
		rear in block (2 in.).....	3835121	A.R.	(8.970)
37-54	ALL.....	left side block (cup type) (1 <sup>5</sup> / <sub>8</sub> in.).....	838538	2	(1.146)
48-54	ALL (exc. D-D, COE).....	( <sup>1</sup> / <sub>4</sub> drain).....	3835638	1	(1.229)

**0.056 BOLT, Crankshaft Bearing Cap**

29-36	ALL.....	frt. (9/16-12 x 2).....	838619	2	.13
29-36	ALL.....	ctr. and rear (7/16-14 x 2 <sup>1</sup> / <sub>2</sub> ).....	837136	6	(5.506)
37-39	ALL.....	frt., inter., and rear,			
39-47	ALL.....	frt., frt and rear inter.,			
48-54	ALL.....	frt. (9/16-12 x 2 <sup>1</sup> / <sub>2</sub> ).....	839119	A.R.	.13

40-54	ALL	rear ( $\frac{1}{2}$ —13 x $2\frac{3}{8}$ )	839126	4	.13
48-54	ALL	fst. and rear inter. ( $\frac{3}{16}$ —12 x 3)	3835857	4	.16

**0.060 WASHER—LOCK, Crankshaft Bearing Cap Bolt**

29-36	ALL	rear and ctr. lock ( $\frac{7}{16}$ I.D.— $\frac{1}{2}$ O.D.— $\frac{5}{16}$ thick)	605470	4	.02
29-54	ALL	lock (used w/839119) ( $\frac{7}{16}$ I.D.— $\frac{1}{2}$ O.D.— $\frac{5}{16}$ thick)	839120	6	.02
40-54	ALL	rear lock ( $\frac{1}{2}$ I.D.— $\frac{3}{8}$ O.D.— $\frac{5}{16}$ thick)	839176	4	.02
37-39	ALL	LOCK, fst. ( $3\frac{3}{4}$ ctr. to ctr.)	838094	1	.13
37-39	ALL	LOCK, No. 2 and 3 ( $\frac{3}{8}$ deep) ( $3\frac{3}{4}$ ctr. to ctr.)	838572	2	.13
37-39	ALL	LOCK, rear ( $1\frac{1}{8}$ deep) ( $3\frac{3}{4}$ ctr. to ctr.)	838471	1	.13

**0.093 PLASTICAGE**

ALL	ALL	(green package—Type PG-1) (12 pieces)	1390274	A.R.	2.94
-----	-----	---------------------------------------	---------	------	------

**0.095 CAP, Crankshaft Front Bearing**

32-36	ALL	w/out dowel (cast 836287)	363763	1	1.60
37-47	ALL	w/out dowel (cast 838102)	602334	1	1.60
48-52	ALL,				
53	ALL (exc. P.G.)	w/out dowel (cast 3688993)	3688993	1	1.60
53	PASS. w/P.G.,				
54	ALL	(cast 3701245)	3703490	1	2.50

**0.096 BEARING UNIT, Crankshaft Front (1 Upper and 1 Lower)**

**PRECISION TYPE**

32-36	ALL	STD.	3847394*	1	2.10
37-47	ALL	STD.	3847064*	1	2.30
48-52	ALL,				
53	ALL (exc. P.G.)	STD.	3688836	1	2.30
53	PASS. w/P.G.	STD.	3703946	1	2.30
54	ALL	STD.	3708609	1	2.30
37-47	ALL	.002 undersize	3847075	1	2.70
48-52	ALL,				
53	ALL (exc. P.G.)	.002 undersize	3688840*	1	2.70
53	PASS. w/P.G.	.002 undersize	3703950	1	2.76
54	ALL	.002 undersize	3708614	1	2.76
32-36	ALL	.010 undersize	3847397*	1	2.46
37-47	ALL	.010 undersize	3847080*	1	2.70
48-52	ALL,				
53	ALL (exc. P.G.)	.010 undersize	3688844	1	2.70
53	PASS. w/P.G.	.010 undersize	3703954	1	2.76
54	ALL	.010 undersize	3708615	1	2.76
37-47	ALL	.020 undersize	3847200*	1	2.70
48-52	ALL,				
53	ALL (exc. P.G.)	.020 undersize	3688848	1	2.70
53	PASS. w/P.G.	.020 undersize	3703958	1	2.76
54	ALL	.020 undersize	3708616	1	2.76
37-47	ALL	.030 undersize	3847205*	1	2.70
48-52	ALL,				
53	ALL (exc. P.G.)	.030 undersize	3688852	1	2.70
53	PASS. w/P.G.	.030 undersize	3703962	1	2.76
54	ALL	.030 undersize	3708617	1	2.76

\*NOTE: Precision type bearings must be used in complete sets for all main bearings on initial installations. Part Numbers 3847064-075-080-200-205 identified by letter "V" stamped on inner surface of dowel.

**0.098 CAP, Crankshaft Front Intermediate Bearing**

37-47	ALL	(cast 838960)	603371	1	1.32
48-52	ALL,				
53	ALL (exc. P.G.)	(cast 3688994)	3688994	1	1.32
53	PASS. w/P.G.,				
54	ALL	(cast 3701246)	3703491	1	1.95



**0.099 BEARING UNIT, Crankshaft Front Intermediate (1 Upper and 1 Lower)**

**PRECISION TYPE**

37-47	ALL.....	STD.....	3847065*	1	2.30
48-52	ALL,				
53	ALL (exc. P.G.).....	STD.....	3688837	1	2.30
53	PASS. w/P.G.,				
54	ALL.....	STD.....	3703947		2.30
37-47	ALL.....	.002 undersize.....	3847076*	1	2.70
48-52	ALL,				
53	ALL (exc. P.G.).....	.002 undersize.....	3688841	1	2.70
53	PASS. w/P.G.,				
54	ALL.....	.002 undersize.....	3703951	1	2.76
37-47	ALL.....	.010 undersize.....	3847081*	1	2.70
48-52	ALL,				
53	ALL (exc. P.G.).....	.010 undersize.....	3688845	1	2.70
53	PASS. w/P.G.,				
54	ALL.....	.010 undersize.....	3703955	1	2.76
37-47	ALL.....	.020 undersize.....	3847201*	1	2.70
48-52	ALL,				
53	ALL (exc. P.G.).....	.020 undersize.....	3688849	1	2.70
53	PASS. w/P.G.,				
54	ALL.....	.020 undersize.....	3703959	1	2.76
37-47	ALL.....	.030 undersize.....	3847206*	1	2.70
48-52	ALL,				
53	ALL (exc. P.G.).....	.030 undersize.....	3688853	1	2.70
53	PASS. w/P.G.,				
54	ALL.....	.030 undersize.....	3703963	1	2.76

\*NOTE: Precision type bearings must be used in complete sets for all main bearings on initial installations. Part Numbers 3847065-076-081-201-206 identified by letter "T" stamped on inner surface of dowel.

**0.100 CAP, Crankshaft Center Bearing**

33-36	ALL.....	w/out dowel (cast 837028).....	364291	1	1.49
-------	----------	--------------------------------	--------	---	------

**0.101 BEARING UNIT, Crankshaft Center (1 Upper and 1 Lower)**

**PRECISION TYPE**

33-36	ALL.....	STD.....	3847395*	1	2.96
-------	----------	----------	----------	---	------

\*NOTE: Precision type bearings must be used in complete sets for all main bearings on initial installations.

**0.102 CAP, Crankshaft Rear Intermediate Bearing**

37-47	ALL.....	(cast 839219).....	604372	1	1.15
-------	----------	--------------------	--------	---	------

NOTE: When installing 604372 on 1937-39 jobs use 839119 bolt and 839120 lock.

48-52	ALL,				
53	ALL (exc. P.G.).....	(cast 3688995).....	3688995	1	1.15
53	PASS. w/P.G.,				
54	ALL.....	(cast 3701247).....	3703492	1	1.95

**0.103 BEARING UNIT, Crankshaft Rear Intermediate (1 Upper and 1 Lower)**

**PRECISION TYPE**

37-47	ALL.....	STD.....	3847066*	1	3.16
48-52	ALL,				
53	ALL (exc. P.G.).....	STD.....	3688838	1	3.16
53	PASS. w/P.G.,				
54	ALL.....	STD.....	3703948	1	3.20
37-47	ALL.....	.002 undersize.....	3847077*	1	3.40
48-52	ALL,				
53	ALL (exc. P.G.).....	.002 undersize.....	3688842	1	3.40
53	PASS. w/P.G.,				
54	ALL.....	.002 undersize.....	3703952	1	3.36
37-47	ALL.....	.010 undersize.....	3847082*	1	3.40

48-52	ALL,				
53	ALL (exc. P.G.)	.010 undersize	3688846	1	3.40
53	PASS. w/P.G.,				
54	ALL	.010 undersize	3703956	1	3.36
37-47	ALL	.020 undersize	3847202*	1	3.40
48-52	ALL,				
53	ALL (exc. P.G.)	.020 undersize	3688850	1	3.40
53	PASS. w/P.G.,				
54	ALL	.020 undersize	3703960	1	3.36
37-47	ALL	.030 undersize	3847207*	1	3.40
48-52	ALL,				
53	ALL (exc. P.G.)	.030 undersize	3688854	1	3.40
53	PASS. w/P.G.,				
54	ALL	.030 undersize	3703964	1	3.36

\*NOTE: Precision type bearings must be used in complete sets for all main bearings on initial installations. Part Numbers 3847066-077-082-202-207 identified by letter "Y" stamped on inner surface of dowel, except on the lower bearing which has no dowel.

#### 0.105 CAP, Crankshaft Rear Bearing

32-36	ALL	w/out dowel, w/ball check (cast 836578)	363719	1	2.11
37-39	ALL	w/out dowel, w/ball check (cast 838553)	602490	1	2.11
40-41	ALL	w/dowels, w/out ball check (cast 839124)	604371	1	2.11
42-47	ALL	w/dowels, w/out ball check (cast 839755)	606536	1	2.11
48-52	ALL	w/dowels, w/out ball check (cast			
53	ALL (exc. P.G.)	3688996)	3688996	1	2.11
53	PASS. w/P.G.,				
54	ALL		3703493	1	2.75

#### 0.106 BEARING UNIT, Crankshaft Rear (1 Upper and 1 Lower)

##### PRECISION TYPE

32-36	ALL	STD.	3847396*	1	2.46
37-39	ALL	STD. (w/two oil grooves)	3847067*	1	2.70
40-47	ALL	STD.	3847068*	1	2.70
48-52	ALL,				
53	ALL (exc. P.G.)	STD.	3703894	1	2.76
53	PASS. w/P.G.,				
54	ALL	STD.	3703949	1	2.76
37-39	ALL	.002 undersize (w/two oil grooves)	3847078*	1	3.06
40-47	ALL	.002 undersize	3847079*	1	3.06
48-52	ALL	.002 undersize	3688843	1	3.05
53	ALL (exc. P.G.)	.002 undersize	3703895	1	3.06
53	PASS. w/P.G.,				
54	ALL	.002 undersize	3703953	1	3.06
37-39	ALL	.010 undersize (w/two oil grooves)	3847083*	1	3.06
40-47	ALL	.010 undersize	3847084*	1	3.06
48-52	ALL	.010 undersize	3688847	1	3.05
53	ALL (exc. P.G.)	.010 undersize	3703896	1	3.06
53	PASS. w/P.G.,				
54	ALL	.010 undersize	3703957	1	3.06
37-39	ALL	.020 undersize (w/two oil grooves)	3847203*	1	3.06
40-47	ALL	.020 undersize	3847204*	1	3.06
48-52	ALL	.020 undersize	3688851	1	3.05
53	ALL (exc. P.G.)	.020 undersize	3703897	1	3.06
53	PASS. w/P.G.,				
54	ALL	.020 undersize	3703961	1	3.06
32-36	ALL	.030 undersize	3847402*	1	2.80
37-39	ALL	.030 undersize (w/two oil grooves)	3847208*	1	3.06
40-47	ALL	.030 undersize	3847209*	1	3.06
48-52	ALL	.030 undersize	3688855	1	3.05
53	ALL (exc. P.G.)	.030 undersize	3703898	1	3.06
53	PASS. w/P.G.,				
54	ALL	.030 undersize	3703965	1	3.06

\*NOTE: Precision type bearings must be used in complete sets for all main bearings on initial installations. Part Numbers 3847067-068-078-079-083-084-203-204-208-209-402, identified by letter "V" stamped on inner surface of dowel.



**0.107 DOWEL, Crankshaft Bearing**

40-54	ALL.....	rear ( $\frac{5}{16}$ O.D. x $1\frac{1}{2}$ length).....	839125	2	.04
-------	----------	--	--------	---	-----

**0.137 SEAL, Crankshaft Rear Bearing Oil**

40-54	ALL.....	graphite impregnated ( $6\frac{1}{16}$ length).....	839129	2	.18
41	ALL.....	( $6\frac{1}{16}$ long—identify by green thread)....	3692121	2	.30

NOTE: Two of 3692121 must be used on 1941 when the old block is replaced.

**0.143 SHIM UNIT, Crankshaft Front Bearing Cap**

32-36	ALL.....	(.030 thick—laminated).....	363706	A.R.	.46
37-52	ALL.....	(.030 thick—laminated).....	609118	A.R.	.46
53-54	ALL.....	(.030 thick—laminated).....	3703648	A.R.	.46

**0.146 SHIM UNIT, Crankshaft Center and Intermediate Bearing Caps**

29-31	ALL.....	(.030 thick—laminated).....	362998	A.R.	.46
32-36	ALL.....	(.030 thick—laminated).....	364402	A.R.	.46
37-54	ALL.....	No. 2 and 3 (.030 thick—laminated)....	3703650	A.R.	.46

**0.153 SHIM UNIT, Crankshaft Rear Bearing Cap**

32-36	ALL.....	(.030 thick—laminated).....	363708	A.R.	.54
37-39	ALL.....	(.030 thick—laminated).....	609120	A.R.	.54
40-52	ALL,				
53	ALL (exc. P.G.).....	(.030 thick—laminated).....	609121	A.R.	.58
53	PASS./P.G.,				
54	ALL.....	(.030 thick—laminated).....	3703652	A.R.	.58

**0.206 COVER, Crankcase Front End**

29-34	ALL (exc. CA, CB, O, DA, DB, F).....	(requires 473721 gasket).....	473717	1	2.03
33-36	ALL (exc. CC, DC).....	w/oil seal and slinger (11 attach. holes) .	609533	1	2.03
37-54	ALL.....	w/oil seal (12 attach. holes).....	838869	1	2.03
37-39	ALL.....	WASHER, cover to brg. cap ( $\frac{5}{16}$ I.D. x $\frac{3}{8}$ O.D.)	394123	2	(1.076)
39-54	ALL.....	LOCK, frt. cover bolt.....	3835842	1	.13
42-54	ALL.....	BOLT, w/washer, cover to plate ( $\frac{1}{4}$ —20 x $\frac{5}{16}$ )	839808	8	.10
42-54	ALL.....	BOLT, w/washer, cover to plate ( $\frac{1}{4}$ —20 x $\frac{5}{16}$ )	839809	2	.13

**0.207 GASKET, Crankcase Front End Cover**

29-34	ALL (exc. CA, CB, O, DA, DB, F).....	(largest I.D. $9\frac{1}{4}$ —11 attach. holes).....	473721	1	.14
33-36	ALL (exc. CC, DC).....	(largest I.D. $9\frac{1}{16}$ —11 attach. holes).....	837186	1	.14
37-54	ALL.....	(12 attach. holes).....	838206	1	.12

**0.213 SEAL—RETAINER, Crankcase Front End Cover**

35-36	ALL.....	(graphited cork— $1\frac{1}{2}$ I.D. x $2\frac{1}{8}$ O.D.)....	837656	1	.14
37-53	ALL.....	w/ret. (leather— $1\frac{1}{4}$ I.D. x $2\frac{1}{16}$ O.D.).....	603158	1	.80
54	ALL.....	( $2\frac{1}{4}$ O.D.—stamped 3835946).....	3835946	1	.85
35-36	ALL.....	RETAINER ( $1\frac{5}{8}$ I.D. x $2\frac{3}{16}$ O.D.).....	837657	1	.06

**0.239 CRANK, Starting**

37-47	ALL,				
48	COMM., UTIL.....	plain end ( $33\frac{1}{8}$ overall).....	3661378	1	1.00

NOTE: See Group 7.025 for correct Starting Crank Bracket. There are no cranks available for any models except as shown.

**0.269 HEAD, Cylinder with Valve Stem Guides**

29	ALL.....	(cast 835503).....	835674	1	33.87
30-31	ALL.....	(cast 836273).....	836275	1	33.87
32	ALL.....	(cast 836718).....	836717	1	33.87
33	ALL (exc. CC).....	(cast 836961).....	836960	1	33.87
35-36	ALL.....	(cast 837981).....	601988	1	33.85
37-40	ALL.....	(cast 838773).....	838751	1	34.85
41-49	ALL,				
50-53	ALL w/216.....	(cast 3835517).....	3835543	1	34.85

NOTE: When 3835543 is used for replacement on 1941-49 it will also be necessary to use 45 degree exhaust valves.

50-52	ALL w/235		3835908	1	34.85
53	ALL w/235	(cast 3701887)	3701886	1	34.85
54	ALL w/235		3710999*	1	34.85
54	ALL w/261	(cast 3835499)	3703569	1	34.85

\*NOTE: 838539 Seat must be used on jobs w/o hydraulic valve lifters.

### 0.277 FITTING, Heat Indicator Conduit

30-40	ALL (exc. CC, DC)	in cyl. hd. ( $\frac{5}{8}$ —18 int. x $\frac{1}{2}$ taper ext.)	597630	1	.28
-------	-------------------	--	--------	---	-----

### 0.283 GUIDE, Inlet Valve Stem

29-34	ALL (exc. DA, DB, P)	inlet and exhaust ( $2\frac{3}{4}$ length—1 shoulder)	3689200§	12	.44
-------	----------------------	---	----------	----	-----

§NOTE: When used as exhaust guide, hand ream to .313-.314 and intake guide to .3114-.3125 after installation, to obtain proper valve stem clearance.

34-40	ALL (exc. DC)	( $3\frac{1}{4}$ length—straight sides)	3688758†*	6	.44
-------	---------------	---	-----------	---	-----

†NOTE: When installing 3688758 on 1934-36 jobs use 837539 seat in place of 835811 collar.

41-53	ALL	( $3\frac{3}{8}$ length—straight sides)	3688760*	6	.40
-------	-----	---	----------	---	-----

54	ALL	( $1\frac{1}{2}$ I.D. x $\frac{3}{8}$ O.D.)	3708168*	6	.40
----	-----	---	----------	---	-----

\*NOTE: To obtain proper valve stem clearance, guides must be finished with .343 hand reamer after installation in cylinder head.

### 0.286 GUIDE, Exhaust Valve Stem

NOTE: See group 0.283 for 1929-34 exhaust valve guide.

34-40	ALL (exc. DC)	( $2\frac{3}{8}$ length—straight sides)	3688759*	6	.40
-------	---------------	---	----------	---	-----

NOTE: When installing 3688759 on 1934-36 jobs use 838539 seat in place of 835811 collar.

41-54	ALL	( $2\frac{7}{8}$ length—straight sides)	3688761*	6	.44
-------	-----	---	----------	---	-----

\*NOTE: To obtain proper valve stem clearance, guides must be finished with .343 hand reamer after installation in cylinder head.

### 0.287 COLLAR, Valve Stem Guide (also see group 0.311)

29-36	ALL	(not used w/straight side guide)	835811	12	.03
-------	-----	----------------------------------	--------	----	-----

### 0.289 GASKET, Cylinder Head

29-32	ALL	unit	364135*	1	2.50
-------	-----	------	---------	---	------

33	ALL (exc. CC)	unit	364338*	1	2.50
----	---------------	------	---------	---	------

33	CC	unit	364825*	1	2.50
----	----	------	---------	---	------

34	ALL (exc. DC)	unit	600926*	1	2.86
----	---------------	------	---------	---	------

34	DC	unit	600527*	1	2.50
----	----	------	---------	---	------

35-36	ALL	unit (w/601988 head)	601411*	1	2.86
-------	-----	----------------------	---------	---	------

37-49	ALL				
-------	-----	--	--	--	--

50-53	ALL w/216	unit	3691929*	1	3.85
-------	-----------	------	----------	---	------

50-52	ALL w/235	unit	3707038*	1	3.26
-------	-----------	------	----------	---	------

53	ALL w/235	unit	3703439*	1	3.25
----	-----------	------	----------	---	------

54	ALL w/235	unit	3709428*	1	3.40
----	-----------	------	----------	---	------

54	ALL w/261	unit	3709429*	1	3.15
----	-----------	------	----------	---	------

\*NOTE: Units consist of: cylinder head, rocker cover, push rod cover, manifold, exhaust pipe packing, water outlet gaskets.

29-33	ALL (exc. CC)	(stealbestos)	836493	1	1.00
-------	---------------	---------------	--------	---	------

34-35	ALL (exc. DC)	(used w/head w/45° valve seats)	837574	1	1.10
-------	---------------	---------------------------------	--------	---	------

34	DC		837405	1	1.00
----	----	--	--------	---	------

35-36	ALL	(used w/head w/30° valve seats)	837723	1	1.20
-------	-----	---------------------------------	--------	---	------

37-49	ALL				
-------	-----	--	--	--	--

50-53	ALL w/216		3835465	1	1.45
-------	-----------	--	---------	---	------

50-52	ALL w/235		3835562	1	1.45
-------	-----------	--	---------	---	------

53-54	ALL w/235		3701296	1	1.55
-------	-----------	--	---------	---	------

54	ALL w/261		3836107	1	1.65
----	-----------	--	---------	---	------

### 0.293 BOLT, Cylinder Head

29-32	ALL	( $\frac{1}{2}$ —13 x $4\frac{1}{8}$ )	835662	15	.20
-------	-----	--	--------	----	-----

33-34	C, O, DC	( $\frac{1}{2}$ —13 x $4\frac{5}{16}$ )	836984	15	.20
-------	----------	---	--------	----	-----

34-50	ALL (exc. DC),				
-------	----------------	--	--	--	--

51-54	ALL	( $\frac{1}{2}$ —13 x $4\frac{1}{2}$ —raised lines or circle on hd.)	3835743	A.R.	.26
-------	-----	--	---------	------	-----

35-36	ALL	( $\frac{1}{2}$ —13 x $3\frac{3}{8}$ ) ( $\frac{1}{8}$ shldr.)	837709	8	.18
-------	-----	--	--------	---	-----

37-54	ALL	( $\frac{1}{2}$ —13 x $3\frac{1}{8}$ —raised lines or circle on hd.)	3835744	A.R.	.20
-------	-----	--	---------	------	-----

53-54	ALL P/S	( $\frac{1}{2}$ —13 x $3\frac{3}{8}$ —raised lines on hd.)	3703621	1	.20
-------	---------	--	---------	---	-----



**0.296 VALVE, Inlet**

29	ALL.....	(head not marked).....	835583	6	.91
30-31	ALL.....	(head marked "IN").....	836282	6	.82
32	ALL.....	(head marked "IN-32").....	836804	6	.82
33-34	C, O, DC.....	(head marked "IN-33").....	836962	6	.82
34-35	ALL (exc. DC).....	w/one-groove stem (hd. marked "IN").....	609379*	6	.90
35-40	ALL.....	w/one-groove stem (hd. marked "IN")....	838437	6	.90
41-49	ALL.....				
50-53	ALL w/216.....	w/two-groove stem (flat head).....	3688065†	6	.90
50-52	ALL w/235.....	w/two-groove stem (1 1/8 dia.).....	3835519	6	.90
53	ALL w/235.....				
54	ALL.....	w/two-groove stem (1 1/8 dia.).....	3835910	6	1.00

\*NOTE: Requires 1—839367 spring cap and 2—838029 stem keys.

†NOTE: Requires 3835392 Cap and 3835333 Seal.

**0.297 VALVE, Exhaust**

29	ALL.....	(head not marked).....	835583	6	(0.296)
30-31	ALL.....	(head marked "EX-X").....	836519	6	.98
32	ALL.....	(head marked "EX-32-X").....	836803	6	.98
33-34	C, O, DC.....	(head marked "EX-33-X").....	836963	6	.98
34-35	ALL (exc. DC, EA, ED).....	w/one-groove stem (hd. marked "EX")...	609380*	6	1.05
35-40	ALL.....	w/one-groove stem (hd. marked "39-EX-X")	838717	6	1.05
41-49	ALL.....	w/two-groove stem (30° seat).....	3835318†	6	1.05
50-53	ALL (exc. D-D, UTIL. w/235),				
54	PASS., COMM., 1 1/2 TON (exc. P.G., D-D).	w/two-groove stem (45 degree seat).....	3835639	6	1.05
50-53	D-D, UTIL. w/235,				
54	PASS. w/P.G., D-D,				
54	1 1/2 TON (hvy. duty 235),				
54	2 TON w/235, 261.....	(stamped XCR).....	3703571	6	1.35

\*NOTE: Requires 1—2136335 spring cap and 2—838029 stem keys.

†NOTE: Requires 3835392 Cap and 3835333 Seal.

**0.303 SPRING, Valve**

29-33	ALL.....	2 1/8 O.L. x 1 1/8 I.D.....	364912	12	.31
34-37	ALL (exc. DC).....	2 3/8 O.L. x 1 1/8 I.D.....	837365	12	.31
34	DC.....	2 1/4 O.L. x 1 1/8 I.D.....	837501	12	.31
38-52	ALL (exc. P.G.),				
53	SDL., COMM., UTIL.....	2 1/8 O.L. x 1 1/8 I.D.....	839304*	12	.35
50-52	PASS. w/P.G.,				
53	PASS. (exc. SDL.),				
54	ALL (exc. P.G., 261).....	(aluminum, yellow, or white paint).....	3835626*	12	.38
54	PASS. w/P.G., 261.....	(L.H. coil dark blue).....	3704142	12	.40

\*NOTE: 3835626 can be used in place of 839304 for better performance at high speed operation.

**0.308 COVER—SEAL, Valve Spring Cap**

41-47	ALL.....	COVER, inlet (1/8 height overall).....	839570	6	.20
41-47	ALL.....	COVER, exhaust (1/4 height overall).....	839897	6	.20
47-54	ALL.....	SEAL, inlet and exh.....	3835333‡	12	.04

‡NOTE: 3835333 Seal also used on 1941-47 models w/two-groove valve stems.

**0.309 CAP, Valve Spring**

29-34	ALL (exc. DA, DB, F).....	(round—single flange).....	836117	12	.08
34-35	ALL (exc. DC).....	(octagon—3/8 height overall).....	837546	12	.08
35-47	ALL.....	exh. (w/"U" key) (octagon or round, stmpd. "X").....	2136335*†	6	.11
35-47	ALL.....	inl. (w/"U" key) (round—double flange or round, stmpd. "IN") (.080 thick).....	839367*†	6	.08
47-52	ALL.....	inlet, exh. (w/3835318, 3686085, 3835639 valves),			
53-54	PASS., COMM., 1 1/2 TON (exc. D-D).....				
53-54	D-D, 2 TON,				
53-54	1 1/2 TON (hvy. duty 235).....	inlet only (1 1/8 dia.) (.080 thick).....	3835392‡	A.R.	.08

†NOTE: On 1941-47 models w/two-groove valve stems, use 3835392 Cap.

\*NOTE: Used on 1934-35 jobs only w/valves 609379-609380 w/annular grooves.

41-53	ALL (exc. P.G.),				
54	PASS., COMM., 1½ TON (exc. P.G., D-D).	ROTATOR ASSY., exh. valve	3836096†	6	1.25
54	D-D, 2 TON,				
54	1½ TON (hvy. duty 235)	ROTATOR ASSY., exhaust valve	3836090	6	1.25

(NOTE: For use w/45° valves only for preventing excessive heat generation on heavy duty truck or other operations where this condition may be encountered.

### 0.310 KEY, Valve Stem

29-34	ALL (exc. DA, DB, P)	(rectang.—plain steel)	836120	12	.02
34-54	ALL	("U" shape)	838029*	24	.04

\*NOTE: Used on 1934-35 jobs only w/valves 609379-609380 w/annular grooves.

### 0.311 SEAT, Valve Spring (also see group 0.287)

34-38	ALL (exc. DC)	inlet (not used w/straight side guide) (½ height overall)	837539	6	.14
34-49	ALL (exc. DC),				
50-53	ALL w/216	inlet and exh. (1934-35 exh. only—use w/straight side guides) (½ height overall)	838539	12	.04
54	ALL w/235 (exc. P.G.)				

### 0.333 ARM, Valve Rocker, with Adjusting Screw and Nut

29-31	ALL	w/bshg. (forged 835549)	835676	12	.98
32-33	ALL	w/bshg. (forged 837417—rounded end adj. screw)	600873	12	.98
34-36	ALL (exc. DC)	inlet, L., w/bshg. (forged 837379)	837325	3	.98
34-36	ALL (exc. DC)	inlet, R., w/bshg. (forge 837380)	837326	3	.98
34-40	ALL (exc. DC)	exhaust, w/bshg. (forge 839001)	838999	6	.98
37-40	ALL	inlet, L., w/bshg. (forge 838997)	838993	3	.98
37-40	ALL	inlet, R., w/bshg. (forge 838998)	838994	3	.98
41-49	ALL,				
50-53	ALL w/216	exhaust, L. (cast 839461)	839459	3	.98
41-49	ALL,				
50-53	ALL w/216	exhaust, R. (cast 839462)	839460	3	.98
41-49	ALL,				
50-53	ALL w/216	inlet, L. (cast 839465)	839463	3	.98
41-49	ALL,				
50-53	ALL w/216	inlet, R. (cast 839466)	839464	3	.98
50-53	ALL w/235,				
54	ALL (exc. P.G., 261)	exhaust, L. (cast 3835549)	3835547	3	.98
50-53	ALL w/235,				
54	ALL (exc. P.G., 261)	exhaust, R. (cast 3835550)	3835548	3	.98
50-53	ALL w/235,				
54	ALL (exc. P.G., 261)	inlet, L. (cast 3835553)	3835551	3	.98
50-53	ALL w/235,				
54	ALL (exc. P.G., 261)	inlet, R. (cast 3835554)	3835552	3	.98
54	PASS. w/P.G., 261	left, exhaust (cast 3836037)	3836035	3	.98
54	PASS. w/P.G., 261	right, exhaust (cast 3836038)	3836036	3	.98
54	PASS. w/P.G., 261	left, inlet (cast 041)	3836039	3	.98
54	PASS. w/P.G., 261	right, inlet (cast 042)	3836040	3	.98

### 0.334 BUSHING, Valve Rocker Arm

29-31	ALL	(brass—¼ I.D. x ⅜ O.D. x 1½ length)	835668	12	.16
-------	-----	-------------------------------------	--------	----	-----

NOTE: Rocker arm bushings not serviced after 1931.

### 0.349 SUPPORT, Valve Rocker Arm Shaft

34-36	ALL (exc. DC)	(cast 837251)	837251	6	.72
37-49	ALL,				
50-53	ALL w/216	(cast 838246)	838246	6	.42
50-53	ALL w/235	(cast 3835520)	3835520	6	.42
54	ALL	(cast 3836114)	3836114	6	.42

### 0.352 SHAFT UNIT, Valve Rocker

37-39	ALL	w/arms	609925	1	20.07
41-49	ALL,				
50-53	ALL w/216	w/arms	609924	1	20.30



50-52	ALL w/235	w/arms	3694883	1	20.30
53	ALL w/235 (exc. P.G.)	w/arms	3703410	1	20.30
53	PASS. w/P.G.	w/arms	3703421	1	20.30
54	ALL	w/arms	3708124	1	18.75

**0.353 SHAFT, Valve Rocker Arm, with Plug**

32-34	ALL (exc. DA, DB, P)	(11 $\frac{1}{8}$ overall—oil holes drid. one side)	836815	2	1.48
34-36	ALL (exc. DC)	(11 $\frac{5}{8}$ overall—supt. holes 4 $\frac{1}{8}$ and 3 $\frac{1}{8}$ ctr. to ctr.)	837249	2	1.48
37-39	ALL	(12 $\frac{1}{8}$ overall)	838244	2	1.50
40-53	ALL	(flat on the oiling side)	3835535	2	1.50
54	ALL	(grooved on end opposite plug)	3836138	2	1.50

NOTE: Also see group 1.928 valve rocker shaft oil fittings.

**0.355 PLUG, Valve Rocker Shaft**

29-54	ALL	( $\frac{9}{16}$ O.D. cup shaped)	835560	2	.02
-------	-----	-----------------------------------	--------	---	-----

**0.356 BOLT, Valve Rocker Shaft Support (also see group 0.413)**

34-36	ALL (exc. DC)	( $\frac{3}{8}$ —16 x 3 $\frac{1}{4}$ )	837252	4	.13
37-53	ALL	( $\frac{3}{8}$ —16 x 3 $\frac{5}{8}$ ) (w/shoulder)	3835837	4	.13
54	ALL	( $\frac{3}{8}$ —16 x 3 $\frac{5}{8}$ ) (w/o shoulder)	455476	6	.13

**0.373 WASHER, Valve Rocker Shaft Support Stud**

32-52	ALL	w/stud (hex.)	836820	2	.01
32-52	ALL	w/bolt (round)	836819	4	.01

**0.375 SPRING, Valve Rocker Shaft**

29-37	ALL	(1 $\frac{3}{8}$ free length)	837254	4	.07
30-54	ALL	( $\frac{7}{16}$ free length)	837253	4	.07
37-54	ALL	(2 $\frac{5}{8}$ free length)	3835508	4	.07
29-54	ALL	retainer (hairpin—1 $\frac{3}{4}$ length)	355938	A.R.	(0.837)

**0.388 COVER—CLEANER, Valve Rocker Arm**

34-36	ALL (exc. DC)	(28 $\frac{5}{8}$ overall length—ribbed top)	836083	1	2.22
37-53	ALL	(w/oil filler hole and air vent)	3686784*	1	2.22
54	ALL	(has 2 bolt holes each side)	3836032*	1	2.20
37-42	ALL (exc. COE)	CLEANER, air (female type)	844751	1	1.20
37-48	ALL (exc. DUBL-DUTI, COE)	CLEANER, air (male type) (also oil filler)	1542450	1	1.71

\*NOTE: On COE it will be necessary to seal oil filler hole with sheet metal disc to provide clearance.

**0.390 INSULATOR—CAP, Valve Rocker Cover**

34-54	ALL	(rubber— $\frac{1}{2}$ I.D. x $\frac{1}{8}$ O.D.)	839083	2	.08
48	COMM., UTIL. (exc. $\frac{1}{2}$ TON, D-D, COE)				
49-53	ALL (exc. D-D, COE)				
54	ALL (exc. COE)	CAP, oil filler w/gasket (on r/arm cover)	3835665	1	(1.516)

**0.413 STUD, Valve Rocker Cover and Support (also see group 0.356)**

30-53	ALL	( $\frac{3}{8}$ —16—24 x 5 $\frac{1}{8}$ )	3835659	2	.13
-------	-----	--	---------	---	-----

**0.423 GASKET, Valve Rocker Cover**

29-34	ALL (exc. DA, DB, P)	(cork—28 $\frac{5}{8}$ x 5 $\frac{1}{8}$ )	600120	1	.56
34-36	ALL (exc. DC)	(cork—28 $\frac{1}{8}$ x 5 $\frac{1}{8}$ )	601160	1	.56
37-53	ALL	(cork—27 x 5 $\frac{1}{8}$ x $\frac{3}{16}$ thick)	3694248*	1	.56
37-53	ALL	(cork—27 x 5 $\frac{1}{8}$ x $\frac{1}{4}$ thick)	3696781*	1	.74
54	ALL	(cork—27 x 5 $\frac{1}{8}$ x $\frac{5}{16}$ thick)	3708646	1	.58
54	ALL	(cork—27 x 5 $\frac{1}{8}$ x $\frac{1}{4}$ thick)	3708648	1	.74

\*NOTE: Gaskets not having indentation for center cyl. hd. bolt must be notched for bolt clearance prior to installation.

**0.425 ROD, Valve Push**

29-32	ALL	(12 long)	836393	12	.50
33	ALL (exc. CC)	(12 $\frac{1}{4}$ long)	836980	12	.50

34	DC	(11 $\frac{1}{2}$ long)	837413	12	.50
34-36	ALL (exc. DC)	(13 $\frac{1}{4}$ long)	837384	12	.50
37-39	ALL	(12 $\frac{3}{4}$ long)	838409	12	.50
40-53	ALL w/216	(10 $\frac{7}{8}$ long)	3835776	12	.50
41-53	ALL w/235 (exc. P.G.)				
54	ALL (exc. P.G.)	(10 $\frac{3}{4}$ long)	3835775	12	.50
50-53	PASS. w/P.G.	(11 $\frac{1}{4}$ long)	3835777	12	.50
54	PASS. w/P.G.	(11 $\frac{1}{2}$ long)	3836260	12	.50

#### 0.429 SCREW—NUT, Valve Rocker Arm Adjusting

29-33	ALL	SCREW ( $\frac{7}{16}$ —20 x 1 $\frac{1}{2}$ —round end)	835664	12	.14
34-54	ALL	SCREW ( $\frac{7}{16}$ —20 x 1 $\frac{9}{16}$ —ball end)	837385	12	.14
34-54	ALL	NUT ( $\frac{7}{16}$ —20)	124929	12	(8.916)

#### 0.439 COVER, Valve Push Rod

37-49	ALL				
50-53	ALL w/216	(9 $\frac{1}{2}$ x 26 $\frac{1}{8}$ overall)	3835344	1	1.49
50-52	ALL w/235	(5 $\frac{5}{8}$ x 27 overall)	3835514	1	1.23
53-54	ALL w/235, 261	(5 $\frac{5}{8}$ x 27—dimple in center)	3701541	1	1.23

#### 0.443 GASKET, Valve Push Rod Cover

29-32	ALL	(8 $\frac{1}{8}$ x 25 $\frac{1}{8}$ overall)	383701	1	.52
33-34	CC DC	(8 $\frac{1}{8}$ x 25 $\frac{1}{8}$ overall)	364820	1	.52
34-36	ALL (exc. DC)	(9 $\frac{1}{8}$ x 25 $\frac{1}{8}$ overall)	601278	1	.52
37-49	ALL				
50-53	ALL w/216	(8 $\frac{1}{8}$ x 26 $\frac{1}{8}$ overall)	602336	1	.52
50-52	ALL w/235	(5 $\frac{19}{32}$ x 27 overall)	3835515	1	.40
53-54	ALL w/235, 261	(5 $\frac{1}{8}$ x 27—w/lobe on bottom)	3701542	1	.40

#### 0.454 SEAL, Valve Push Rod Cover (Cork)

29-31	ALL	(1 $\frac{1}{8}$ I.D. x 1 $\frac{1}{2}$ O.D. x $\frac{1}{16}$ thick)	836425	6	.07
32	ALL	(1 $\frac{1}{8}$ I.D. x 1 $\frac{1}{2}$ O.D. x $\frac{1}{16}$ thick)	836738	6	.07
33-34	C, O, DC	(1 $\frac{1}{8}$ I.D. x 1 $\frac{1}{2}$ O.D. x $\frac{1}{16}$ thick)	836994	6	.07
34-36	ALL (exc. DC)	(1 $\frac{1}{8}$ I.D. x 1 $\frac{1}{2}$ O.D. x $\frac{1}{16}$ thick)	837264	6	.07
37-49	ALL				
50-53	ALL w/216	(1 $\frac{1}{8}$ I.D. x 1 $\frac{1}{2}$ O.D. x 1 $\frac{1}{16}$ thick)	3835246	6	.07

#### 0.459 TAPPET, Valve

29-39	ALL		838774	12	.76
40-53	ALL w/216	w/rod seat (white paint spot)	839263	12	.96
41-54	ALL w/235 (exc. P.G.)	(w/rod seat) (yellow paint under rod seat)	3660438	12	.96
50-52	PASS. w/P.G.	(hydraulic lifter type)	5230650	12	1.33
53	PASS. w/P.G.	(hydraulic lifter type—3 holes on side)	5230850	12	1.33
54	PASS. w/P.G.	(hydraulic lifter type) (rib around oil groove)	5230920	12	1.55
54	ALL w/261	(single groove around body)	3836342	12	.96

#### 0.503 SPRING, Valve Tappet

34-37	ALL	(2 $\frac{5}{8}$ free length— $\frac{1}{2}$ I.D.—11 coils)	837321	12	.18
-------	-----	--	--------	----	-----

#### 0.506 SEAT, Valve Tappet Spring

34-37	ALL	( $\frac{3}{4}$ O.D.)	837294	12	.07
-------	-----	-----------------------	--------	----	-----

#### 0.519 CAMSHAFT

33-36	ALL (exc. CC, DC)	(forged 837984)	837984	1	11.08
37	ALL	(forged 838426)	838426	1	11.08
38-53	ALL w/216	(forged 838733)	838733	1	11.95
41-53	ALL w/235 (exc. P.G.)	(forged 3660474)	3660474	1	13.50
50-53	PASS. w/P.G.	(cast 3836023)	3836023*	1	13.50
54	PASS. w/P.G.	(cast 3836386)	3836386	1	13.50
54	ALL (exc. P.G., 261)	(forged 3660474)	3836366	1	13.50
54	ALL w/261	(cast iron)	3836390	1	13.50

\*NOTE: When replacing Camshaft w/o oil groove (forge No. 3701414) on 1953 models, 3702367 Spring must be used.



<b>0.533 BEARING, Camshaft Thrust</b>					
29-34	ALL (exc. CA, CB, O, DA, DE, P).....	(camshaft hole $1\frac{1}{16}$ dia.).....	836827	1	.72
33-36	ALL (exc. CC, DC).....	(attach. holes $\frac{3}{8}$ dia.).....	837039	1	.82
37-53	ALL.....	w/spacing ring ( $1\frac{1}{16}$ I.D.).....	3702305	1	.65
54	ALL.....	with spacing ring (flat on 2 sides).....	3707916	1	.65
<b>0.534 GASKET, Camshaft Thrust Bearing</b>					
37-53	ALL.....	( $4\frac{1}{16}$ O.L., $2\frac{3}{16}$ I.D.).....	839100	A.R.	.04
<b>0.535 BEARING, Camshaft Front</b>					
37-54	ALL (w/small journals).....	(2.01 I.D. x 2.17 O.D. x $1\frac{1}{8}$ length).....	838846	1	.76
54	ALL (w/large journals).....	(2.21 I.D. x 2.28 O.D.) (stamped GM 1).....	3836191	1	.76
<b>0.543 BEARING, Camshaft No. 2 or Center</b>					
33-36	ALL.....	ctr. (1.77 I.D. x 1.92 O.D. x $2\frac{1}{16}$ length).....	837115	1	.70
37-54	ALL (w/small journals).....	No. 2 (1.95 I.D. x 2.10 O.D. x $1\frac{5}{16}$ length).....	838847	1	.76
54	ALL (w/large journals).....	(2.07 I.D. x 2.20 O.D.) (stamped GM 2).....	3836140	1	.76
<b>0.546 BEARING, Camshaft Number 3</b>					
37-54	ALL (w/small journals).....	(1.89 I.D. x 2.04 O.D. x $1\frac{5}{16}$ length).....	838848	1	.76
54	ALL (w/large journals).....	(2.01 I.D. x 2.16 O.D.) (stamped GM 3).....	3836141	1	.76
<b>0.549 BEARING, Camshaft Rear</b>					
35-36	ALL.....	(1.61 I.D. x 1.76 O.D. x $1\frac{3}{8}$ length).....	837626	1	.70
37-54	ALL (w/small journals).....	(1.828 I.D. x 1.975 O.D. x $1\frac{5}{16}$ length).....	3835558	1	.76
54	ALL (w/large journals).....	(1.95 I.D. x 2.10 O.D.) (stamped GM 4).....	3703418	1	.76
<b>0.553 PLUG, Camshaft Bearing Hole (in cylinder block)</b>					
32-34	ALL.....	( $1\frac{5}{8}$ dia.).....	836574	1	.08
35-36	ALL.....	( $1\frac{3}{4}$ dia.).....	837646	1	.08
37-53	ALL.....	(2 dia.).....	838127	1	.07
54	ALL.....	( $2\frac{1}{8}$ dia.).....	3704158	1	.10
<b>0.603 ROD ASSEMBLY, Connecting, Less Dipper</b>					
29-32	ALL.....	(forged 836601).....	363713	6	3.05
33-34	ALL (exc. CC, DC).....	(forged 837684—has two $\frac{1}{4}$ holes in top of brg.) (less clamp bolt).....	364323	6	3.05
33-34	CC, DC.....	(forged 473188).....	364822	6	3.05
35-36	ALL.....	(forged 837684—has one $\frac{5}{16}$ hole in top of brg.).....	801343	6	3.05
EXCHANGE ITEM					
37-47	ALL.....	(forged 838389, 839558 or 3835184).....	839557*	6	4.95
48-52	ALL.....				
53	ALL (exc. P.G.).....	(forged 3701890).....	3701889*	6	4.95
*Exchange Price shown. Add .50 to prices if used Chevrolet Connecting Rod Assembly is not exchanged.					
INSERT BEARING TYPE					
53	PASS. w/P.G.,				
54	ALL (exc. 261).....	less insert (forged 3701491).....	3701490	6	4.90
54	ALL w/261.....	(forged 3702448).....	3835928	6	4.90
<b>0.604 DIPPER, Connecting Rod</b>					
29-32	ALL.....	( $2\frac{5}{16}$ bolt hole ctr.).....	835987	6	.14
33-36	ALL.....	( $2\frac{1}{16}$ bolt hole ctr.).....	837823	6	.14
37-52	ALL.....				
53	ALL (exc. P.G.).....	( $2\frac{13}{16}$ bolt hole ctr.).....	3835884	6	.14
<b>0.609 BOLT—WASHER, Connecting Rod Clamp</b>					
29-54	ALL.....	BOLT ( $\frac{5}{8}$ —24 x $1\frac{1}{16}$ ).....	345428	6	.10
29-54	ALL.....	L/WASHER ( $\frac{3}{8}$ I.D. x $\frac{5}{8}$ O.D.).....	838819	6	.01

**0.616 BEARING UNIT, Connecting Rod (1 Upper and 1 Lower)**

53	PASS. w/P.G.,								
54	ALL.....	(STD.).....	3704856	6	1.46				
53	PASS. w/P.G.,								
54	ALL.....	(.001 undersize).....	3704857	6	1.56				
53	PASS. w/P.G.,								
54	ALL.....	(.002 undersize).....	3704858	6	1.56				
53	PASS. w/P.G.,								
54	ALL.....	(.010 undersize).....	3704859	6	1.66				
53	PASS. w/P.G.,								
54	ALL.....	(.020 undersize).....	3704860	6	1.66				

**0.619 SHIM UNIT, Connecting Rod Bearing**

29-52	ALL,								
53	ALL (exc. P.G.).....	(consists of 2—.008 shims).....	3692517	A.R.	.24				

**0.623 BOLT, Connecting Rod Bearing Cap**

29-32	ALL.....	( $\frac{3}{8}$ —24 x $2\frac{3}{4}$ not drld.).....	605487	12	.24				
33-52	ALL,								
53	ALL (exc. P.G.).....	( $\frac{3}{8}$ —24 x $2\frac{1}{2}$ not drld.).....	3835449	12	.24				
53	PASS. w/P.G.,								
54	ALL.....	( $\frac{3}{8}$ —24 x $2\frac{1}{8}$ ).....	3701531	12	.24				

**0.626 NUT, Connecting Rod Bearing Cap Bolt**

Used with bolts having cotter pin holes..	( $\frac{3}{8}$ —24 std.).....	838283	12	(0.002)
Used with bolts not requiring cotter pins.	( $\frac{3}{8}$ —24).....	839103	12	.06
Used with 839103 as lock nut.....	( $\frac{3}{8}$ —24 stamped).....	107823	12	(8.921)

**0.629 PISTON ASSEMBLY, with Pin and Bushings**

Std. Piston size range: S-3 = 3.4995 to 3.5000; S-4 = 3.5000 to 3.5005.  
 .001 high limit Piston size range: S-5 = 3.5005 to 3.5010; S-6 = 3.5010 to 3.5015.

		Std.	.001-O.S.	.010-O.S.	.020-O.S.	.030-O.S.	.040-O.S.		
29-36	ALL.....	837601	—	—	601304	601303	601302	6	4.35
37-40	PASS., GC.....	602806	—	602285	602809	602810	602811	6	4.35
37-40	COMM., UTIL. (exc. GC).....	602806	—	602808	602809	602810	602811	6	4.35
41-52	PASS. (w/216).....	605260	3699254	—	605263	605280	605281	6	4.35
41-52	COMM., UTIL. (w/216),								
53	ALL w/216.....	605276	3699255	—	605279	605280	605281	6	4.35
41-52	ALL w/235,								
53	ALL w/235 (exc. P.G.).....	3693984*	3699256*	—	3693994*	3693995*	3693996*	6	4.35
53	PASS. w/P.G. (aluminum).....	3704873	3703846	—	3704534	3704535	3704536	6	4.95
54	ALL w/235.....	3707453	3707473	—	3707454	3707455	3707456	6	4.95
54	ALL w/261.....	3707460	3707474	—	3707461	3707462	3707463	6	4.95

\*NOTE: When these pistons are installed on models prior to 1950 it will be necessary to use Ring Unit which contains  $\frac{3}{8}$  top compression ring.

**0.633 BUSHING, Piston Pin**

29-36	ALL.....	(1 I.D. x $1\frac{1}{2}$ O.D. x $\frac{15}{16}$ length).....	362897	12	.32
37-53	ALL.....	( $\frac{27}{32}$ I.D. x $\frac{3}{4}$ O.D. x $\frac{15}{16}$ length).....	838551	12	.30

**0.636 PIN, Piston**

		Std.	.0015-O.S.	.003-O.S.	.005-O.S.	.010-O.S.	Length		
29-36	ALL.....	835627	—	362477	362478	362479	$2\frac{29}{32}$	6	.86
37-52	ALL,								
53	ALL (exc. P.G.).....	838570	3701395	602319	602320	602321	$3\frac{1}{2}$	6	.86
53	PASS. w/P.G.,								
54	ALL w/235.....	3701538	3703686	3704881	3704882	—	$3\frac{1}{16}$	6	.86
54	ALL w/261.....	3702451	3707495	3707496	3707497	—	$3\frac{1}{8}$	6	.86

**0.643 RING, Piston**

**Production Type (w/slotted oil rings) (complete set for one engine per container).**

		Std.	.005-O.S.	.020-O.S.	.030-O.S.	.040-O.S.		
37-53	ALL w/216.....	3688881	3688883	3688884	3688885	3688886	1	9.58
41-49	ALL w/235.....	3688882	3688887	3688888	3688889	3688890	1	9.58



		Std.	.005 O.S.	.020 O.S.	.030 O.S.	.040 O.S.		
50-52	ALL w/235.....	3694009*	3694010*	—	—	—	1	9.58
50-52	ALL w/235.....	—	—	3705265§	3705266§	3705267§	1	13.35
53	ALL w/235 (exc. P.G.).....	3705263§	3705264§	3705265§	3705266§	3705267§	1	13.35
53	PASS. w/P.G.,							
54	PASS., COMM., 1½ TON (exc. D-D, hvy. duty 235) (expander design).....	3705272†	3705273†	3705274†	3705275†	3705276†	1	9.58
54	ALL w/235 (expander design),	3707571⊕	3707572⊕	3707573⊕	3707574⊕	3707575⊕	1	13.35
54	ALL w/261 (expander design),	3708544⊕	3708545⊕	3708546⊕	3708547⊕	3708548⊕	1	13.35

**Expander Type (complete set for one engine per container)**

		Std.	.020 O.S.	.030 O.S.	.040 O.S.		
29-36	ALL.....	609963	609970	609974	609978	1	9.58
37-53	ALL w/216.....	608201	—	—	—	1	9.53
37-53	ALL w/216.....	—	608202	608203	608204	1	9.58
37-53	ALL w/216.....	3704008†	3704015†	3704020†	3704025†	1	13.35
41-49	ALL w/235.....	608205	—	—	—	1	9.53
41-49	ALL w/235.....	—	608206	608207	608208	1	9.58
41-49	ALL w/235.....	3704052†	3704054†	3704056†	3704058†	1	13.35
50-52	ALL w/235,						
53	ALL w/235 (exc. P.G.).....	3696718*	3696719*	3696720*	3696721*	1	9.58
50-52	ALL w/235,						
53	ALL w/235 (exc. P.G.).....	3704030*†	3704037*†	3704042*†	3704047*†	1	13.35
53	PASS. w/P.G.,						
54	ALL (exc. 261).....	3708259†‡	3708260†‡	3708261†‡	3708262†‡	1	13.35

\*NOTE: These Ring Units contain a 3/8 top compression ring.

†NOTE: These Ring Units contain 3/8 compression rings.

§NOTE: Contains chrome-plated top compression ring.

⊕NOTE: Contains coil spring expander type oil ring, 3/8 compression rings, top ring chrome-plated.

‡NOTE: Cramflex Ring Set having chrome-plated oil rings, top compression ring, and chrome-plated rail for middle compression ring.

The following chart shows the Expander Type Piston Ring sizes to use in various oversize bores.

Cyl. O.S.	Use Ring Size	Special Fitting
Std. to .009	Std.	None
.010 to .029	.020	File fit under .020
.030 to .039	.030	None
.040 to .049	.040	None

**0.646 CRANKSHAFT with Dowel Pins**

33-36	ALL (exc. CC, DC).....	w/bolt nuts (forged 837631).....	837630	1	34.14
37-39	ALL.....	w/bolt nuts (forged 838281 or 838877)...	838345*	1	36.05
40-41	ALL w/216.....	(forged 839111).....	839110	1	39.50
41	ALL w/235.....	(forged 3660435).....	3660473	1	38.51
42-47	ALL w/216.....	(forged 839775).....	839774	1	39.50
42-47	ALL w/235.....	(forged 839750).....	839749	1	39.50
48-53	ALL w/216.....	(forged 3835271).....	3835270	1	43.75
48-52	ALL w/235,				
53	ALL w/235 (exc. P.G.).....	(forged 3701894).....	3701893†	1	43.75
53	PASS. w/P.G.....	(drilled for lubrication) (forged 3701488).	3701487	1	49.75
54	ALL.....	("P" forged on No. 5 arm).....	3701486†	1	49.75

\*NOTE: When installing 838345 on 1939 jobs use 907109 clutch pilot bearing.

†NOTE: When used on 1950-52 and 1954 Powerglide it will be necessary to remove the pilot bearing. On models prior to 1953 Balancer 3701930 must be used.

**0.647 THROWER, Crankshaft Oil**

30-34	ALL.....	(13/16 I.D. x 2 1/8 O.D. x 3/8 width).....	836358	1	.20
37-38	ALL.....	(1 1/4 I.D. x 3 1/4 O.D. x 7/8 width).....	838265	1	.20

**0.649 BUSHING—BEARING, Crankshaft Clutch Pilot**

29-30	ALL.....	BUSHING ( $\frac{3}{8}$ I.D. x $1\frac{1}{8}$ O.D. x $1\frac{1}{16}$ length) ...	344098	1	.46
31-39	ALL (exc. CC, DC).....	BEARING (ND 7109).....	907109	1	1.90
NOTE: 907109 used on 1939 jobs only with crankshaft 838345.					
33-34	CC, DC,				
39-54	ALL (exc. P.G., A.T.).....	BEARING (bush) ( $1\frac{1}{16}$ I.D. x $1\frac{3}{16}$ O.D. x $\frac{3}{4}$ )....	412562†	1	.54
†NOTE: Stop spring must not be used with 412562 Bearing.					

**0.650 RETAINER—SPRING, Crankshaft Clutch Pilot Bearing**

33-34	CC, DC,				
39-46	ALL.....	RETAINER ( $\frac{5}{8}$ I.D. x $1\frac{1}{8}$ O.D.).....	836713	1	.07
33-34	CC, DC,				
39-46	ALL.....	SPRING ( $1\frac{1}{16}$ O.D.).....	473681	1	.01

**0.659 PULLEY—BALANCER, Crankshaft**

29	ALL.....	PULLEY (width through hub $2\frac{1}{16}$ ).....	362944	1	3.38
30-31	ALL.....	BALANCER (cast 836349).....	363354	1	7.45
32-36	ALL (exc. CC, DC).....	BALANCER (cast 836770—weight has larger O.D. than pulley).....	601359	1	7.97
37-40	ALL.....	BALANCER (cast 838863— $2\frac{3}{4}$ width thru hub— $6\frac{5}{16}$ dia.).....	603447*	1	7.98
41-52	ALL w/216.....	BALANCER (cast 838863—3 width thru hub— $6\frac{1}{2}$ dia.).....	605203	1	7.97
53	$1\frac{1}{2}$ TON w/216.....				
41-52	ALL w/235,				
53-54	UTILITY w/235, 261.....	BALANCER (weight $7\frac{1}{4}$ O.D.—pulley "V" $\frac{5}{8}$ )	3701930	1	7.97
53	SDL., COMM. (exc. D-D).....	BALANCER (weight $6\frac{1}{8}$ O.D.—pulley "V" $\frac{3}{8}$ )	3704339	1	7.97
53	PASS., D-D (exc. SDL., P/S),				
54	PASS., COMM. (exc. P/S).....	BALANCER (weight $7\frac{1}{4}$ O.D.—pulley "V" $\frac{1}{8}$ )	3704338	1	7.97
53-54	ALL P/S.....	BALANCER (double pulley).....	3705099	1	7.97

\*NOTE: When installing 603447 on 1937-38 jobs discard crankshaft oil thrower.

**0.666 FLYWHEEL, with Ring Gear**

32-33	ALL (exc. CC).....	(cast 837043—"UC" timing mark $117^\circ$ counterclockwise from dowel hole).....	364663	1	7.66
34-35	ALL (exc. DC, EA) (1st 50,000 1935 jobs)	(cast 837243—less guide pins—"UC" timing mark $133^\circ$ clockwise from dowel hole).....	837242	1	9.08
35-36	ALL (after 1st 50,000 1935 jobs).....	(cast 837243—less guide pins—"UC" timing mark $133^\circ$ clockwise from dowel hole).....	836014	1	9.08
37	ALL.....	(cast 838174—"UC" timing mark $88^\circ$ clockwise from dowel hole).....	838173	1	9.08
38-39	PASS., $\frac{1}{2}$ TON.....	(cast 838663-5—"UC" timing mark $88^\circ$ clockwise from dowel hole, has 6 holes for clutch cover).....	838682	1	9.08
38-39	COMM., UTIL. (exc. $\frac{1}{2}$ TON).....	(cast 838663-5—"UC" timing mark $88^\circ$ clockwise from dowel hole, has 9 holes for clutch cover).....	838654	1	9.08
40-41	PASS., $\frac{1}{2}$ TON.....	(cast 839563 and 839754—has 6 holes for clutch cover).....	839562	1	9.08
40-41	ED, KE, KF, W, A, Y (hvy. duty clutch on AG, AH, AK).....	(cast 839563—has 9 holes for clutch cover).....	839564	1	9.08
42-53	PASS., $\frac{1}{2}$ TON (exc. hvy. duty clutch, P.G.).....	(cast 839754—has 6 holes for clutch cover) (stmpd. "2UC").....	3705385	1	9.50
42-53	PASS., $\frac{1}{2}$ TON (hvy. duty clutch).....	(has 9 holes for clutch cover) (stamped "2UC").....	3705387	1	9.50
42-53	$\frac{3}{4}$ , 1 TON, UTIL.....		3835490	1	7.54
50-52	PASS. w/P.G.....		3708436	1	7.50
53-54	PASS. w/P.G.....		3704831	1	9.50
54	PASS., COMM. (exc. P.G., A.T., D-D).....		8615138	1	18.75
54	COMM. w/A.T.....				
54	COMM. (hvy. duty clutch) (exc. D-D),				
54	D-D, UTIL.....		3703579	1	9.50

**0.669 BOLT—NUT—LOCK—DOWEL, Flywheel to Crankshaft**

29-39	ALL.....	BOLT ( $\frac{3}{8}$ —24 x $\frac{1}{8}$ ).....	837003	4	.07
40-41	ALL.....	BOLT ( $\frac{3}{8}$ —24 x 1).....	839117	6	.07



42-54	ALL	BOLT ( $\frac{3}{16}$ —20 x 1)	839756	6	.09
32-36	ALL	NUT ( $\frac{5}{8}$ —24 x $\frac{5}{8}$ barrel dia. x $1\frac{1}{2}$ length)	837004	4	.20
37-39	ALL	NUT ( $\frac{3}{8}$ —24 x $\frac{9}{16}$ barrel dia. x $\frac{5}{8}$ length)	838175	4	.20
40-41	ALL	LOCK (has two $\frac{1}{8}$ bolt holes)	839118	3	.04
42-54	ALL	LOCK (has two $\frac{3}{64}$ bolt holes)	3835664	3	.04
40-54	ALL	DOWEL ( $\frac{3}{8}$ dia. x $1\frac{1}{2}$ length)	606535	3	.10

#### 0.679 UNDERPAN—EXTENSION, Flywheel

31-36	ALL (exc. CC, DC, EC, FC)	(4 bolt holes— $2\frac{1}{8}$ high)	836426	1	1.60
35-36	EC, FC	(4 bolt holes— $1\frac{3}{4}$ x $\frac{5}{8}$ cutout in flange)	837870	1	1.60
37-48	PASS.	(4 bolt holes—frt. flange curved)	839335	1	1.60
37-53	COMM., UTILITY	(4 bolt holes— $3\frac{1}{4}$ high)	838498	1	1.60
49-54	PASS. (exc. P.G.)	(4 bolt holes—frt. flange curved)	3688221	1	1.60
54	COMM., UTIL. (exc. A.T.)		3702830	1	1.60
31-36	ALL (exc. CC, DC, EC, FC)	EXTENSION, upr.	600961	1	.78
31-36	ALL (exc. CC, DC, EC, FC)	EXTENSION, lwr.	836428	1	.78
35-36	EC, FC	EXTENSION, lwr.	837788	1	.78
37-39	PASS.	EXTENSION	838484	1	.78
37-39	COMM., UTILITY	EXTENSION	838483	1	.78
40-48	PASS.	EXTENSION	839131	1	.78
40-54	COMM., UTILITY (exc. A.T.)	EXTENSION	839180	1	.78
49-54	PASS. (exc. P.G.)	EXTENSION	3688218	1	.78
40-54	ALL	BOLT, w/washer, underpan and extension	839301	4	(1.428)

#### 0.683 HOUSING, Clutch and Flywheel

33-36	CB, O, DB, P, EB, Q, FB, R	(cast 837277)	600355	1	9.86
35-36	EC, FC	(cast 837597)	601369	1	7.94
37	PASS.	(cast 838475)	602271	1	10.85
37	COMM., UTILITY	(cast 838533)	601735	1	10.85
38-39	PASS.	(cast 838569)	602985	1	10.85
38-47	COMM., UTILITY	(cast 839257) (w/ $3\frac{5}{8}$ " lever slot)	3847361†	1	10.85
40-48	PASS.	(cast 839181)	604361	1	10.85
48-53	COMM., UTILITY	(cast 3701433)	3847679*	1	10.85
49-54	PASS. (exc. P.G.)	(cast 3688001)	3691993	1	10.85
50-54	PASS. w/P.G.	(flywheel) (cast 3691671)	3695312	1	8.75
54	COMM. w/A.T.	front and rear (cast 2306149)	3710609	1	
54	COMM. UTIL. (exc. A.T.)	(cast 3835201)	3707141	1	10.85

†NOTE: When installing 3847361 on 1938-39 jobs discard clutch fork ball spt. and assemble ball to housing.

\*NOTE: On models prior to 1953 remove top Dowel.

#### 0.685 DOWEL, Clutch Housing to Cylinder Block

31-54	ALL (exc. P.G., A.T.)	( $\frac{3}{8}$ x $\frac{1}{8}$ )	836453	3	.06
50-54	PASS. w/P.G.				
54	COMM. w/A.T.	( $2\frac{1}{64}$ x $\frac{1}{8}$ )	3696828	2	.12

#### 0.686 COVER, Clutch and Flywheel Housing Inspection Hole

37-47	ALL				
48-54	PASS. (exc. P.G.)	clutch ( $2\frac{1}{8}$ x $4\frac{3}{8}$ overall)	838476	1	.28
48-54	COMM., UTILITY (exc. A.T.)	clutch ( $2\frac{1}{8}$ x $3\frac{1}{8}$ overall)	3835200	1	.28
50-54	PASS. w/P.G.				
54	COMM. w/A.T.	flywheel	3691699	1	.78

#### 0.722 GEAR, Crankshaft Timing (Steel)

29-34	ALL (exc. CA, CB, O, DA, DB, P)	(26 teeth— $3\frac{1}{2}$ O.D.—1 in. ctr. hole)	835729	1	2.35
33-34	ALL (exc. CC, DC)	(27 teeth— $3\frac{1}{8}$ O.D.—1 in. ctr. hole)	836986	1	2.35
35-36	ALL	(27 teeth—stamped "35-6")	837577	1	2.35
37-39	ALL	(27 teeth— $3\frac{1}{8}$ O.D.— $1\frac{1}{4}$ in. ctr. hole)	838432†	1	2.35
40-54	ALL	(27 teeth— $3\frac{1}{8}$ O.D., stamped "71")	3835371	1	2.35

†NOTE: 838432 has (1) timing punch mark.

**0.736 GEAR, Camshaft Timing (Fibre)**

29-34	ALL (exc. CA, CB, O, DA, DB, P).....	(52 teeth—stamped 835730).....	835730	1	5.24
33-36	ALL (exc. CC, DC).....	(54 teeth—stamped 836950).....	836950	1	5.28
37-47	ALL,				
48-52	ALL (exc. 2 TON),				
53-54	PASS.....	(54 teeth—stamped 3836156).....	3836156	1	5.95
47-54	ALL (w/aluminum gear).....	(cast 3835473).....	3835473	1	4.50

**0.748 NOZZLE, Timing Gear Oil**

32-48	ALL.....	( $\frac{1}{16}$ discharge hole) (threaded type).....	836593†	1	.17
49-54	ALL.....	( $\frac{1}{8}$ discharge hole) (threaded type).....	3690722	1	.17

†NOTE: 836593 is used on 1941-42 only to replace threaded type nozzle.

**0.787 ROD—LINK—CHAIN, Clutch Release**

35-36	PASS. (exc. FC).....	fork offset (length of arm 2 overall).....	378198	1	.42
36-39	PASS. (exc. FA, FD).....	fork offset (length of arm 3 $\frac{1}{8}$ overall).....	350761	1	.42
40	PASS.....	fork offset (length of arm 3 $\frac{3}{8}$ overall).....	3652787	1	.42
41-48	PASS. (exc. CONV.).....	fork offset (length of arm 2 $\frac{1}{8}$ overall).....	3659711	1	.42
41-48	CONV.....	fork offset (length of arm 2 $\frac{7}{8}$ overall— daub of white paint on arm).....	3659463	1	.42
47-54	COMM., UTILITY.....	fork offset (length of arm 2 $\frac{1}{4}$ overall— daub of orange paint on arm).....	3676398	1	.38
47-53	COE.....	clutch release lever pull.....	3847458	1	(4.826)
49-54	PASS. (exc. CONV.).....	fork offset (dev. length 6 $\frac{3}{8}$ ).....	3688232	1	.38
49-54	CONV.....	fork offset (dev. length 7 $\frac{1}{8}$ ).....	3688194	1	.42
54	COE.....	with clevis (16 $\frac{1}{2}$ dev. length).....	3705947	1	.85
39	PASS.....	LINK (5 $\frac{3}{16}$ overall—2 eye ends).....	350601	1	.42
40	PASS.....	LINK (5 $\frac{5}{8}$ overall—1 eye, 1 hook end).....	3653753	1	.42
41-54	PASS.....	LINK (6 $\frac{1}{8}$ overall—1 eye and 1 hook end)...	3659187	1	.42
47-54	COMM., UTILITY (exc. COE).....	LINK (7 $\frac{1}{16}$ overall—1 eye and 1 hook end)...	3676454	1	.42
35-36	PASS. (exc. FA, FD).....	CHAIN (2 $\frac{1}{2}$ overall).....	378207	1	.18
37-39	PASS.....	CHAIN (5 $\frac{5}{8}$ overall—ends at right angles)...	593819	1	.42

**0.795 FORK, Clutch Release**

33-34	CC, DC.....	(10 $\frac{1}{4}$ length x 3 $\frac{3}{16}$ fork width overall)..	837407	1	2.47
31-33	ALL (exc. CC),				
34-37	COMM., UTILITY.....	UNIT (10 $\frac{1}{16}$ length x 4 $\frac{3}{8}$ fork width overall)..	364495	1	2.47
31-37	ALL (exc. CC, DA, DC, EA, EC, ED, FA, FC, FD, GA, GB).....	UNIT.....	609951	1	3.00
35-37	PASS.....	UNIT.....	609955	1	3.04
38-39	PASS.....	UNIT.....	609952	1	3.04
38-46	COMM., UTILITY.....	UNIT.....	609953	1	2.89
40-46	PASS.,				
47-54	ALL.....	UNIT.....	609954	1	2.89

**0.796 BALL—SCREW, Clutch Fork**

31-37	ALL.....	BALL (1 $\frac{5}{16}$ length—int. thds. $\frac{5}{16}$ —24).....	836414	1	.28
38-54	ALL.....	BALL (1 $\frac{1}{2}$ length—ext. thds. $\frac{1}{16}$ —20).....	2054961	1	.25
31	ALL.....	SCREW (1 $\frac{1}{2}$ overall length).....	836417	1	.28
32-37	ALL.....	SCREW (1 $\frac{1}{16}$ overall length).....	836628	1	.28
38-39	ALL.....	SCREW (1 $\frac{5}{16}$ overall length).....	2054960	1	.18

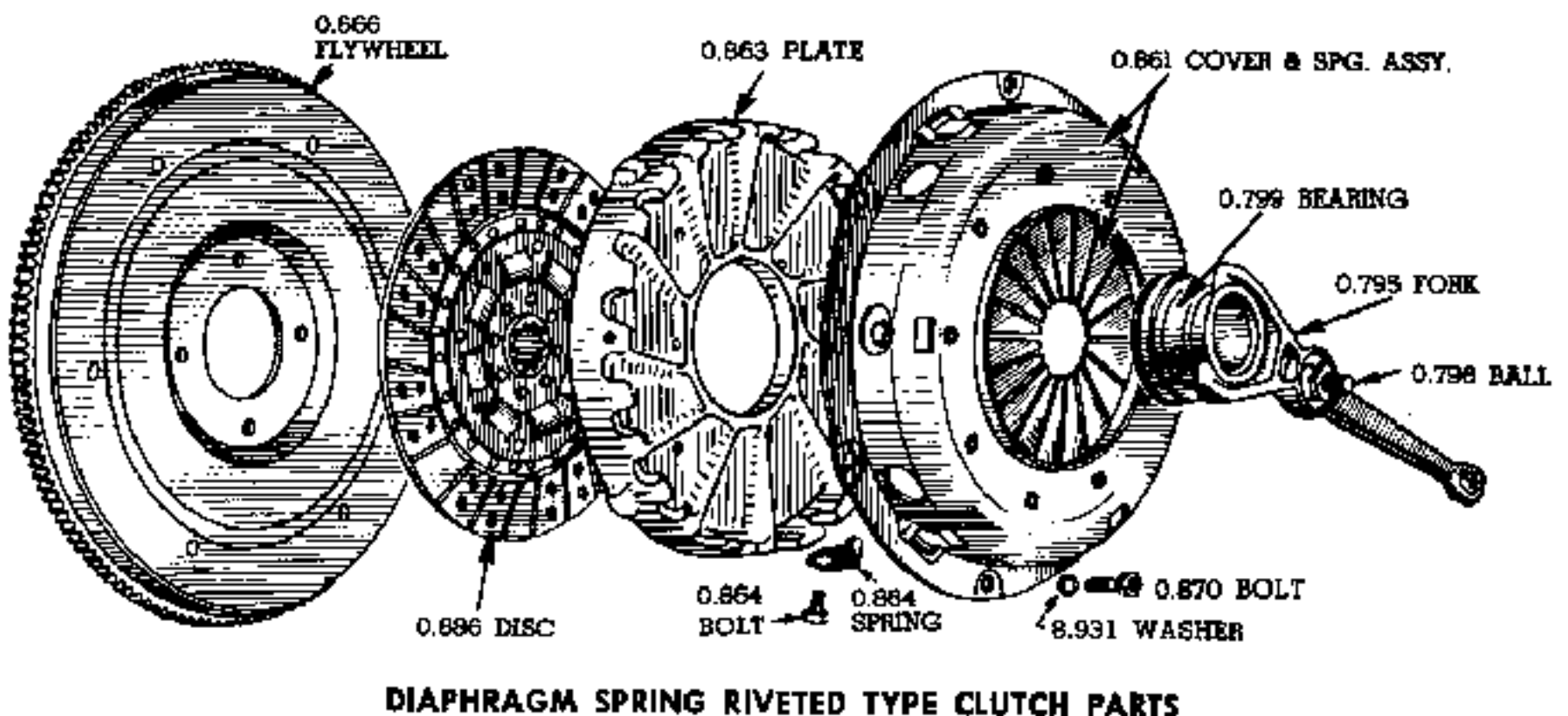
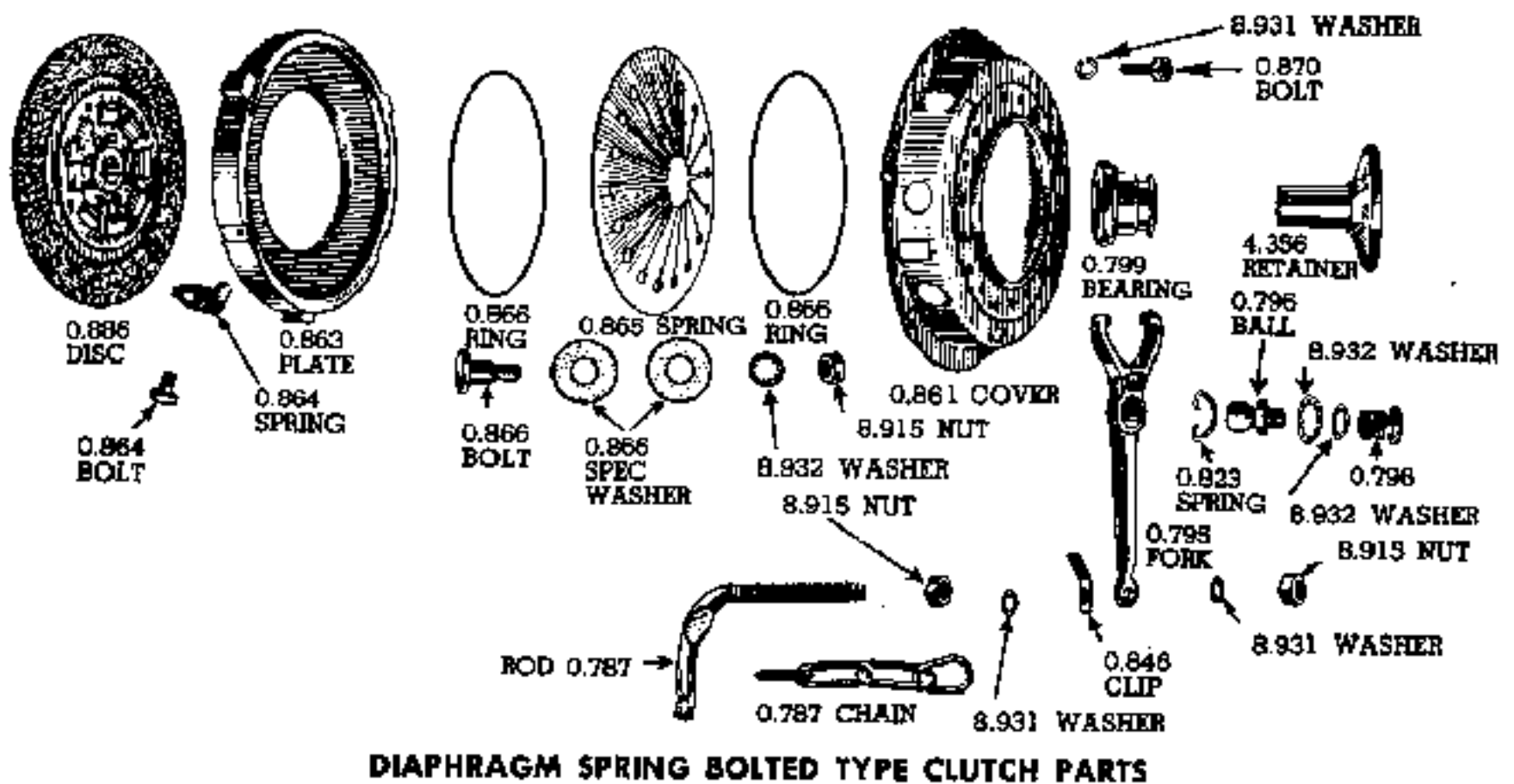
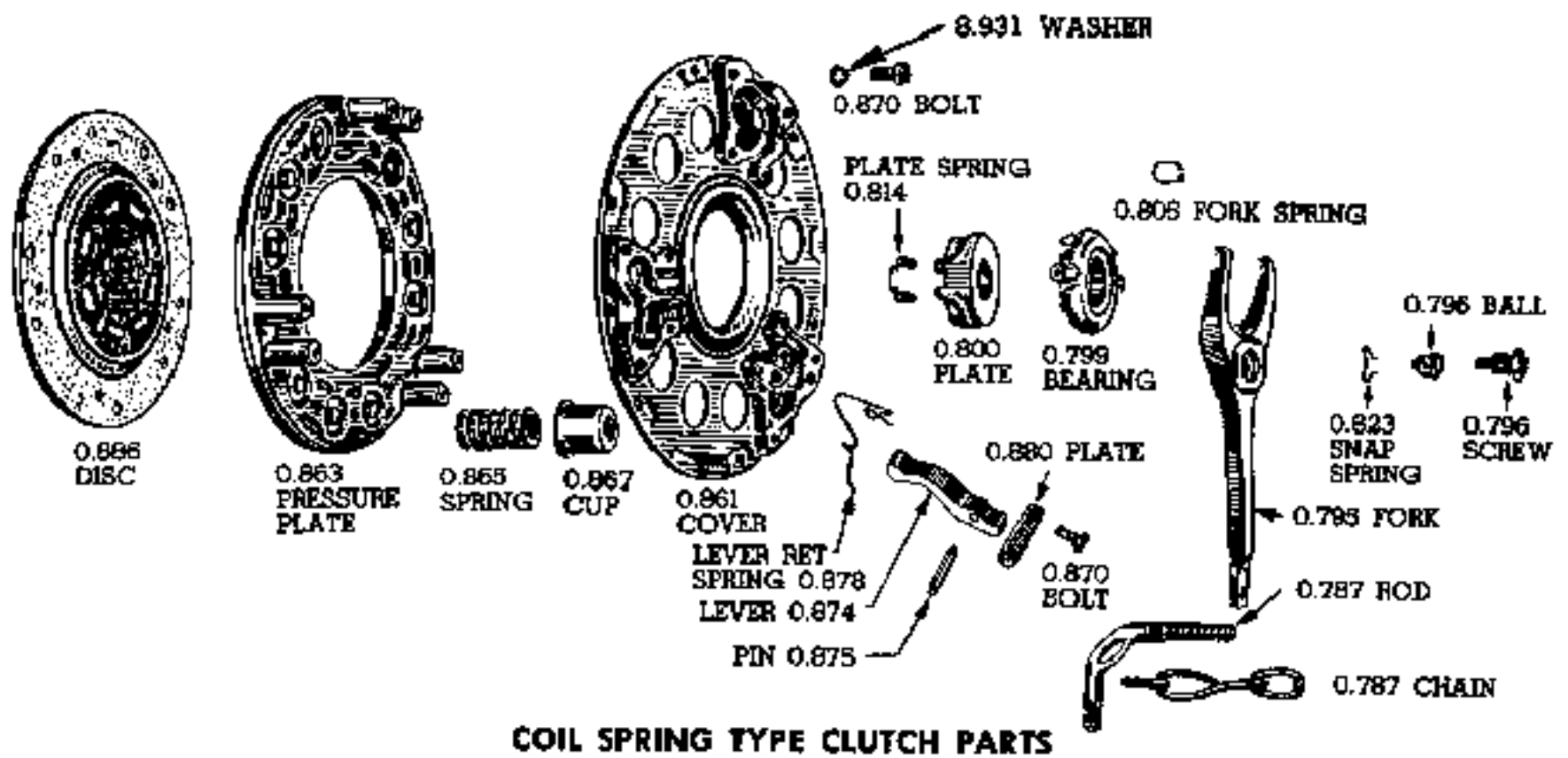
**0.799 BEARING, Clutch Throwout with Collar**

29-37	ALL (exc. CC, DC).....	(width across fork pins 4 $\frac{3}{8}$ ).....	837021	1	1.82
33-34	CC, DC.....	(width across fork pins 3 $\frac{5}{8}$ ).....	473121	1	1.82
38-54	ALL.....	(ball bearing type) (see chart in supple- mentary data section).....	909422	1	5.10

**0.800 PLATE, Clutch Throwout Bearing**

32-34	ALL (exc. CC, DA, DC—early 1934).....	(cast 836632).....	836632	1	.77
33-34	CC, DC.....	(cast 473677).....	473677	1	.77
34-37	ALL (exc. DC—late jobs on 1934).....	(cast 837477).....	837477	1	.77





**0.803 SLEEVE, Clutch Throwout Bearing**

29-31	ALL.....	(2 <sup>13</sup> / <sub>16</sub> O.D. x 1 <sup>1</sup> / <sub>8</sub> length).....	346809	1	1.05
-------	----------	--	--------	---	------

**0.805 SPRING, Clutch Fork Throwout Bearing**

29-36	ALL (exc. CC, DC).....		837972	2	.04
33-34	CC, DC.....		473116	2	.04
37	PASS.....		838486	2	.03
37	COMM., UTILITY.....		838541	2	.04

**0.814 SPRING, Clutch Throwout Bearing Plate**

32-34	ALL (exc. DA).....		837173	3	.07
34-37	ALL (exc. DB, DC, P).....		837472	3	.07

**0.823 SPRING, Clutch Fork Ball Retainer**

31-54	ALL.....		838987*	1	.07
-------	----------	--	---------	---	-----

\*NOTE: When installing 838987 on 1931-38 jobs discard clutch fork ball retainer and ring.

**0.829 INSULATOR—BUMPER, Clutch and Brake Pedal**

41-46	1/2 TON.....	(5 <sup>13</sup> / <sub>16</sub> x 4 <sup>1</sup> / <sub>8</sub> overall—pedal slots 3/8 x 1 <sup>1</sup> / <sub>8</sub> )	3657153	1	.13
41-46	COMM., UTIL (exc. 1/2 TON, COE).....	(5 <sup>13</sup> / <sub>16</sub> x 4 <sup>1</sup> / <sub>8</sub> overall—clutch slot 3/8 x 1 <sup>1</sup> / <sub>8</sub> )	3657154	1	.13
37-48	COMM., UTIL.....	BUMPER, floor board.....	3681065	1	.13
47-54	COMM., UTIL. (exc. COE).....	BUMPER, floor board.....	3684319	1	.13
40-54	PASS.,				
47-54	COE.....	BUMPER, floor board.....	3685505	1	.13

**0.830 PEDAL, Clutch, with Bushing**

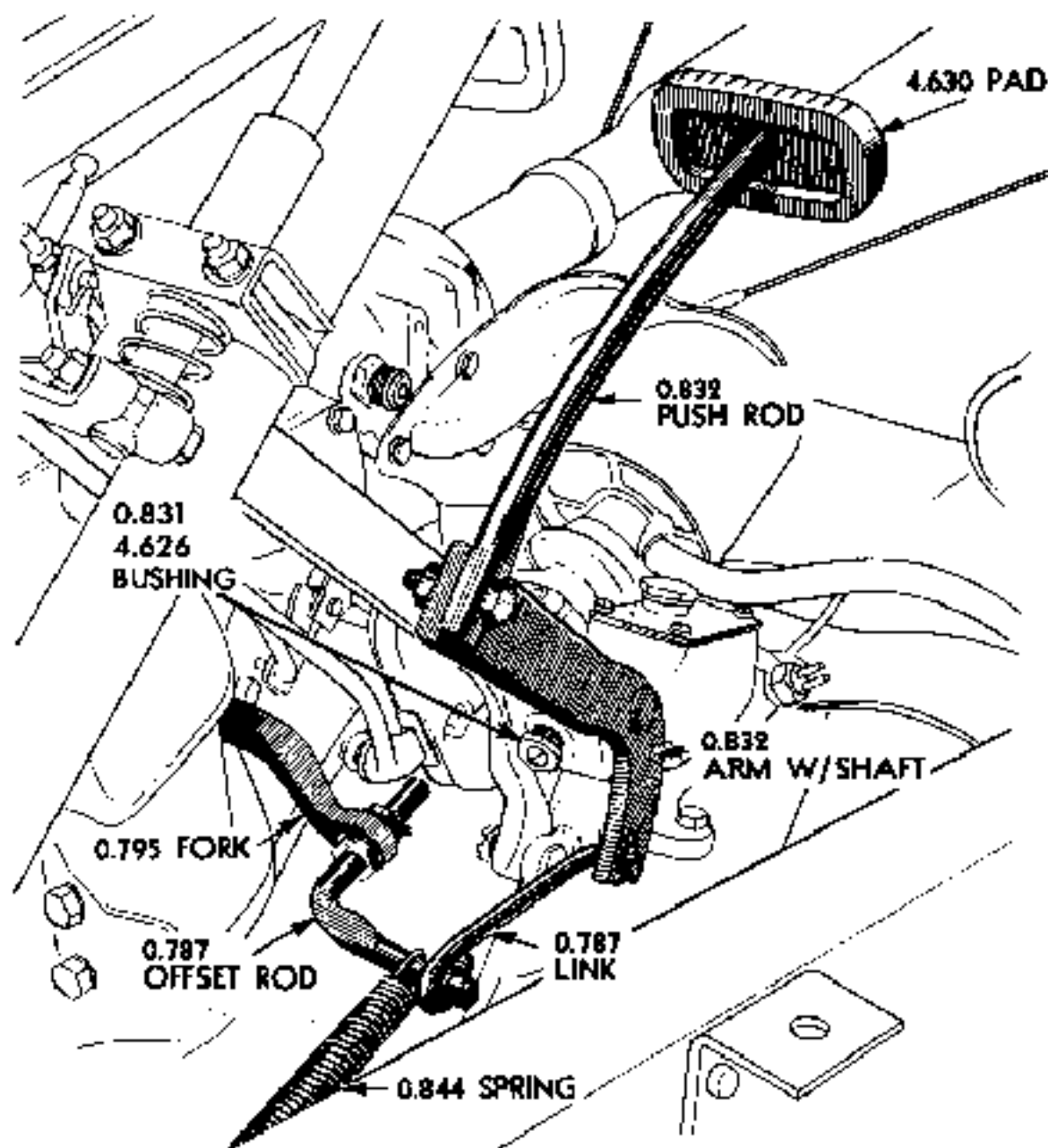
34	DA.....		374737	1	1.78
38-46	1/2 TON.....		3659947	1	1.91
38-46	COMM., UTIL. (exc. 1/2 TON, COE).....		3682201	1	1.91
39-46	COE.....		3651103	1	1.91

**0.831 BUSHING, Clutch Pedal (see group 4.626 for brake pedal bushing)**

29-32	ALL,				
33-36	CB, CC, O, P, Q, R,				
37-46	COMM., UTIL. (exc. 1/2 TON).....	(1 <sup>13</sup> / <sub>16</sub> O.D. x 3/4 I.D. x 1 <sup>1</sup> / <sub>4</sub> length).....	3682020	1	.28
33-36	CA, D, E, F, H, S, T,				
37-39	PASS.,				
37-46	1/2 TON.....	(1 <sup>13</sup> / <sub>16</sub> O.D. x 3/4 I.D. x 1 <sup>2</sup> / <sub>4</sub> length).....	3682074	1	.28
40-54	PASS. (exc. P.G.).....	reducing (3/8 ext. x 1/8 int. taper).....	127875	1	(8.963)
40-54	PASS. (in brake master cyl.).....	(1 <sup>13</sup> / <sub>16</sub> O.D. x 3/4 I.D. x 1 <sup>3</sup> / <sub>4</sub> ).....	5480452	1	(4.626)
47-54	COMM., UTIL. (exc. COE).....	(1 <sup>13</sup> / <sub>16</sub> O.D. x 1 I.D. x 1 <sup>1</sup> / <sub>4</sub> length).....	3683016	1	.28
47-54	COE.....	(7/8 I.D. x 1 <sup>13</sup> / <sub>16</sub> O.D. x 3/4 length).....	3685420	2	.20
48-54	DUBL-DUTI.....	(1 <sup>13</sup> / <sub>16</sub> O.D. x 1 <sup>3</sup> / <sub>4</sub> long).....	3683089	1	(4.626)

**0.832 ARM—ROD—LEVER, Clutch Pedal (also see group 0.830)**

40-48	PASS.....	w/shaft (lower half).....	3652783	1	1.91
47-54	COMM., UTIL. (exc. D-D, COE).....	w/bushing (lower half).....	3683015	1	1.91
47-54	COE.....	w/shaft (lower half).....	3685417	1	2.43
48-54	DUBL-DUTI.....	w/bushing (lower half).....	3688025	1	3.09
49-54	PASS. (exc. CONV.).....	w/shaft (lower half).....	3687981	1	1.91
49-54	CONV.....	w/shaft (lower half).....	3688121	1	1.91
40-48	PASS.....	ROD, w/pedal (upper half).....	3696707	1	1.25
47-54	COMM., UTIL. (exc. D-D, COE).....	ROD, w/pedal (upper half).....	3683019	1	1.25
47-54	COE.....	ROD, w/pedal (upper half).....	3685413	1	1.25
48-54	DUBL-DUTI.....	ROD, w/pedal (upper half).....	3687541	1	1.78
49-52	PASS.....	ROD, w/pedal (upper half).....	3687979	1	1.25
53-54	PASS.....	ROD, w/pedal (upper half).....	3701393	1	1.25
48-54	DUBL-DUTI.....	LEVER, rear (w/bushing).....	3687953	1	3.09



### CLUTCH PEDAL AND LINKAGE

#### 0.833 SHAFT, Clutch Pedal (see group 4.634 for brake pedal shafts)

31-36	ALL (exc. CA, DA, DC, EA, EC, ED, F) . . .	(5 $\frac{3}{8}$ length—one end grooved) . . . . .	836422	1	.65
36	PASS. (exc. FC) . . . . .	(6 $\frac{1}{16}$ length) . . . . .	475801	1	.65
36-46	$\frac{1}{2}$ TON . . . . .	clutch (2 $\frac{3}{8}$ length) . . . . .	475897	1	.37
37-39	PASS. . . . .	(4 $\frac{3}{4}$ length—hollow shaft) . . . . .	593803	1	.65
39-42	COE, . . . . .				
46	COMM., UTIL. (exc. $\frac{1}{2}$ TON) . . . . .	clutch idler (5 $\frac{3}{8}$ length—hole both ends). . . . .	838001	1	.65
39-46	COE . . . . .	pedal supt. (4 $\frac{3}{8}$ length) . . . . .	3651139	1	.32
47-54	COMM., UTIL. (exc. D-D, COE) . . . . .	clutch and brake (1 x 7 $\frac{17}{32}$ — $\frac{5}{8}$ —18 thd.) . . . . .			
48-54	DUBL-DUTI . . . . .	rear lever . . . . .	3683044	1	1.60
48-54	DUBL-DUTI . . . . .	clutch and brake (1 $\frac{5}{8}$ hex. hd. x 5 $\frac{11}{16}$ O.L.) . . . . .	3702812	1	3.25

#### 0.834 LOCK, Pedal Shaft

40-54	PASS. (exc. P.G.) . . . . .	(cross shape) . . . . .	3652790	1	.20
47-54	COMM., UTIL. (exc. D-D, COE) . . . . .	shaft (1 $\frac{3}{8}$ ) . . . . .			
48-54	DUBL-DUTI . . . . .	(used as rear lever lock) . . . . .	359380	1	(5.057)
50-54	PASS. w/P.G. . . . .	(circular) . . . . .	3692282	1	.17

#### 0.837 SPRING—COLLAR—RETAINER—SPACER, Clutch and Brake Pedal Shaft

NOTE: Also see groups 4.634 and 4.648.

29-47	COMM., UTIL. . . . .	SPRING, lock . . . . .	355936	1	.02
47-54	COMM., UTIL. (exc. D-D, COE) . . . . .	SPRING (1 $\frac{3}{16}$ I.D. x 1 $\frac{3}{16}$ long), . . . . .			
48-54	DUBL-DUTI . . . . .	(used with rear lever shaft) . . . . .	3683045	1	.08
50-54	PASS. w/P.G. . . . .	SPRING, lock retainer . . . . .	3692281	1	.06
39-46	COE . . . . .	COLLAR, pedal idler shaft ( $\frac{3}{4}$ I.D. x 1 $\frac{1}{2}$ O.D. . . . .			
		x $\frac{1}{8}$ thick) . . . . .	592141	1	.13
47-54	COMM., UTIL. (exc. D-D, COE) . . . . .	RETAINER, inner (1 I.D. x 2 $\frac{1}{4}$ O.D. x $\frac{1}{2}$ wide), . . . . .			
48-54	DUBL-DUTI . . . . .	(used with rear lever shaft) . . . . .	3683046	A.R.	.19
47-54	COMM., UTIL. (exc. D-D, COE) . . . . .	RETAINER, outer (1 I.D. x 2 $\frac{1}{4}$ O.D. x $\frac{3}{16}$ wide), . . . . .			
48-54	DUBL-DUTI . . . . .	(used with rear lever shaft) . . . . .	3683047	1	.13



47-54	COMM., UTIL. (exc. DUBL-DUTI, COE)	SPACER (used as hub spacer and shaft grease seal) (1 I.D. x 1 $\frac{1}{8}$ O.D.)			
48-54	DUBL-DUTI	(rear lever spacer, shaft grease seal)	3684453	1	.05
<b>0.839 PLATE, Clutch Pedal Adjusting</b>					
31-37	ALL (exc. CA, DA, DC, EA, EC, ED, F, GA, GB, GC)		365397	1	.58
36-37	$\frac{1}{2}$ TON		476305	1	.58
<b>0.841 BOLT, Clutch Pedal Adjusting</b>					
31-37	ALL (exc. DA, DC, EA, ED, FA, FD, GA, GB)	(hex. hd. $\frac{3}{8}$ -24 x 1 $\frac{3}{4}$ )	365916	1	.08
38-46	COMM., UTILITY	(hook $\frac{3}{8}$ -16 x 3 $\frac{3}{8}$ overall)	598342	1	.20
38-46	COMM., UTILITY	NUT, link (hex. chamfered $\frac{3}{8}$ -16)	598384	1	.08
<b>0.844 SPRING, Clutch Pedal Pull Back</b>					
29-31	ALL	(3 $\frac{13}{16}$ length x 34 coils)	368849	1	.17
32-34	BA, BB, C, DA, DC	(3 $\frac{3}{4}$ length x 26 coils)	372799	1	.17
32-46	COMM., UTILITY (reg. tension)	(3 $\frac{3}{8}$ length x 26 coils)	368244	1	.23
35-36	PASS.	(5 $\frac{1}{4}$ length x 43 coils)	378197	1	.23
37-39	PASS. (reg. tension)	(4 $\frac{13}{16}$ length x 43 coils)	594357	1	.23
37-39	PASS. (extra tension)	(4 $\frac{13}{16}$ length)	603390	1	.23
40-46	PASS. (exc. CONV.)				
47-54	ALL (reg. tension)	(6 length x 50 coils)	3653114	1	.23
40-54	PASS. (extra tension)	(6 length x 40 coils)	3659107	1	.23
41-48	CONV.	(11 length x 50 coils)	3659731	1	.23
41-46	COMM., UTIL. (exc. COE) (extra tension)	(7 $\frac{3}{8}$ length x 36 coils)	3664881	1	.17
41-42	COE	(6 $\frac{3}{8}$ length x 36 coils)	592322	1	(4.827)
<b>0.846 CLIP—PIN—BRACKET, Clutch Pedal Pull Back Spring</b>					
41-48	PASS. (exc. CONV.)	CLIP (2 $\frac{7}{8}$ length overall)	3661534	1	.08
41-46	UTIL., AN, BN, DS (exc. COE)	CLIP (6 $\frac{1}{4}$ length overall) (w/3664881 spring)	3664875	1	.08
32-33	ALL				
34-37	COMM., UTILITY	PIN (1 $\frac{5}{8}$ length overall)	368246	1	.08
33-37	PASS. (exc. CC)	PIN (1 length overall)	364961	1	.08
47-54	COMM., UTIL. (exc. D-D, COE)	BRACKET (3 $\frac{5}{8}$ high x 3 $\frac{3}{8}$ wide)	3683932	1	.30
<b>0.847 BRACKET, Clutch Pedal Shaft (see group 4.548 for brake pedal shaft bracket and supports)</b>					
39-46	COE	pedal idler shaft (cast 836421)	836421	1	.43
39-46	COE	(cast 3651138)	3651138	1	1.25
48-54	DUBL-DUTI	clutch and brake (6 $\frac{1}{2}$ long)	3687488	1	2.12
47-54	COE	clutch and brake assy	3685422	1	8.94
47-54	COE	release lever (2 x 3)	3685507	1	.71
47-54	COMM., UTIL. (exc. D-D, COE)	clutch and brake (9 $\frac{1}{2}$ long)			
48-54	DUBL-DUTI	rear lever shaft (has two $\frac{1}{8}$ holes)	3684093	1	2.28
<b>0.850 LEVER, with Bushing, Clutch Pedal Control</b>					
34	DA	(3 $\frac{3}{8}$ length overall)	374749	1	1.38
39-46	COE	(5 $\frac{1}{8}$ length overall—arms offset)	3662647	1	2.34
47-54	COE	(4 length overall)	3685513	1	.77
47-54	COE	clutch fork control idler	3686285	1	1.23
39-46	COE	BUSHING, lever (1 $\frac{1}{8}$ O.D. x $\frac{3}{4}$ I.D. x 1 $\frac{1}{4}$ )	3682020	1	(0.831)
47-54	COE	SPRING, lever ( $\frac{1}{2}$ I.D. x 1 $\frac{1}{8}$ free length)	835715	1	(1.928)
<b>0.851 LINK—ROD—CLEVIS, Clutch Fork Control</b>					
47-54	COE	LINK (16 $\frac{1}{8}$ length has one $\frac{3}{16}$ and one $\frac{1}{8}$ hole)	3685509	1	.91
39-46	COE	ROD, pedal pull (26 $\frac{1}{4}$ overall—adj.)	3681999*	1	.53
48-54	DUBL-DUTI	ROD, pedal pull (23 $\frac{3}{8}$ overall—adj.)	3847458	1	(4.826)
39-46	COE	CLEVIS, pull rod ( $\frac{3}{4}$ -24 x 3 $\frac{3}{8}$ overall)	3651258	1	(4.824)

\*NOTE: On early 1939 COE it is also necessary to use 3651258 Clevis.

**0.861 COVER, Clutch**

34-37	ALL (exc. DC)	w/supt. (12 $\frac{1}{8}$ O.D.—stamping)	837994	1	6.70
38-53	PASS., $\frac{1}{2}$ TON (exc. hvy. duty)	w/spring (11 $\frac{1}{8}$ O.D.)	3836005	1	7.75
38-53	$\frac{3}{4}$ , 1 TON, UTIL.,				
38-53	PASS., $\frac{1}{2}$ TON (hvy. duty)	w/spring (13 $\frac{1}{8}$ O.D.)	838954	1	9.22
54	PASS., COMM. (exc. hvy. duty, D-D)	w/spring	3704773	1	7.75
54	COMM., UTIL. (hvy. duty)	w/spring (w/11 x 6 $\frac{1}{2}$ clutch driven plate)	3702405	1	9.20

**0.863 PLATE, Clutch Pressure**

29-31	ALL	(cast 836461)	836461	1	5.02
32-34	ALL (exc. CC, DA, DC) (used w/flywheel w/guide pins)	(cast 836621)	836621	1	5.02
33-34	CC, DC	(cast 473661)	473661	1	5.02
34-37	ALL (exc. DC) (w/flwhl. less guide pins)	(cast 837443)	837443	1	5.50
38-53	PASS., $\frac{1}{2}$ TON (exc. hvy. duty)	(cast 838948)	838948	1	5.50
38-53	$\frac{3}{4}$ , 1 TON, UTIL.,				
38-53	PASS., $\frac{1}{2}$ TON (hvy. duty)	(cast 838949)	838949	1	6.17
54	PASS., COMM. (exc. hvy. duty, D-D)	(cast 3704776)	3704776	1	5.50
54	COMM., UTIL. (hvy. duty)	(11 x 6 $\frac{1}{2}$ ) (cast 2402)	3702402	1	6.15

**PLATE ASSY., Pressure w/Clutch Cover**

38-53	PASS., $\frac{1}{2}$ TON (exc. hvy. duty)		3836003	1	13.25
38-53	$\frac{3}{4}$ , 1 TON, UTIL.,				
38-53	PASS., $\frac{1}{2}$ TON (hvy. duty)		3836004	1	15.90
54	PASS., COMM. (exc. hvy. duty, D-D)		3704777	1	13.25
54	COMM., UTIL. (hvy. duty)		3702401	1	15.50

NOTE: For complete clutch installation w/assemblies 3836003 and 3836004 include 9—838653 bolts, 9—120382 lockwashers, 1—909422 throwout bearing and select correct clutch disc.

**0.864 SPRING—BOLT, Clutch Pressure Plate Retracting**

38-53	ALL	SPRING	838646	3	.07
54	ALL	SPRING	3702404	3	.07
38-53	ALL	BOLT ( $\frac{1}{4}$ —20 x $\frac{3}{8}$ — $\frac{1}{16}$ hex.)	754381	3	.08
54	ALL	BOLT ( $\frac{3}{16}$ —18 x $\frac{1}{4}$ x $\frac{1}{2}$ hex.)	3702403	3	.08

**0.865 SPRING, Clutch Pressure**

29-31	ALL		344141	9	.26
32-34	ALL (exc. CC, DA, DC)	(w/836621)	836850	9	.26
33-34	CC, DC	(w/braided facing 601437)	364987	9	.14
34-37	ALL (exc. DC, EC, FC)		837461	9	.26
35-36	EC, FC	unit (contains 9 springs)	601811	1	1.74
38-39	ALL (w/bolted type cover)		3836010	1	3.10

**0.866 RING, Clutch Spring Pivot**

38-39	ALL (w/bolted type cover)	(7 $\frac{1}{2}$ LD.)	838644	2	.36
38-39	ALL (w/bolted type cover)	WASHER, pivot ring ( $\frac{3}{16}$ I.D. x 1 $\frac{1}{8}$ O.D.)	838702	18	.02
38-39	ALL (w/bolted type cover)	BOLT, spring retainer (shldr. $\frac{1}{16}$ dia., $\frac{5}{16}$ —24 x $\frac{1}{16}$ )	838703	9	.17

**0.867 CUP, Clutch Spring**

34-37	ALL		837557	9	.28
-------	-----	--	--------	---	-----

**0.870 BOLT, Clutch Cover and Pressure Plate**

34-37	ALL (exc. DC)	( $\frac{3}{8}$ —16 x $\frac{1}{8}$ )	837467	9	.08
34-37	ALL (exc. DC)	lever ( $\frac{3}{8}$ —16 x $\frac{3}{4}$ )	837445	6	.08
38-54	ALL	( $\frac{3}{8}$ —16 x 1)	838653	A.R.	.07

**0.874 LEVER, Clutch Pressure**

29-31	ALL	(forged 346811)	346811	3	.76
33-34	CC, DC	(forged 473731)	473731	3	.76
34-37	ALL (exc. DC) (w/837443 plate)	(3 $\frac{1}{8}$ length—one $\frac{3}{8}$ hole)	837556	3	.65

**0.861 COVER, Clutch**

34-37	ALL (exc. DC)	w/supt. (12 $\frac{1}{8}$ O.D.—stamping)	837994	1	8.70
38-53	PASS., $\frac{1}{2}$ TON (exc. hvy. duty)	w/spring (11 $\frac{1}{8}$ O.D.)	3836005	1	7.75
38-53	$\frac{3}{4}$ , 1 TON, UTIL.,				
38-53	PASS., $\frac{1}{2}$ TON (hvy. duty)	w/spring (13 $\frac{1}{16}$ O.D.)	838954	1	9.22
54	PASS., COMM. (exc. hvy. duty, D-D)	w/spring	3704773	1	7.75
54	COMM., UTIL. (hvy. duty)	w/spring (w/11 x 6 $\frac{1}{2}$ clutch driven plate)	3702405	1	9.20

**0.863 PLATE, Clutch Pressure**

29-31	ALL	(cast 836461)	836461	1	5.02
32-34	ALL (exc. CC, DA, DC) (used w/flywheel w/guide pins)	(cast 836621)	836621	1	5.02
33-34	CC, DC	(cast 473661)	473661	1	5.02
34-37	ALL (exc. DC) (w/flwhl. less guide pins)	(cast 837443)	837443	1	5.50
38-53	PASS., $\frac{1}{2}$ TON (exc. hvy. duty)	(cast 838948)	838948	1	5.50
38-53	$\frac{3}{4}$ , 1 TON, UTIL.,				
38-53	PASS., $\frac{1}{2}$ TON (hvy. duty)	(cast 838949)	838949	1	6.17
54	PASS., COMM. (exc. hvy. duty, D-D)	(cast 3704776)	3704776	1	5.50
54	COMM., UTIL. (hvy. duty)	(11 x 6 $\frac{1}{2}$ ) (cast 2402)	3702402	1	6.15

**PLATE ASSY., Pressure w/Clutch Cover**

38-53	PASS., $\frac{1}{2}$ TON (exc. hvy. duty)		3836003	1	13.25
38-53	$\frac{3}{4}$ , 1 TON, UTIL.,				
38-53	PASS., $\frac{1}{2}$ TON (hvy. duty)		3836004	1	15.90
54	PASS., COMM. (exc. hvy. duty, D-D)		3704777	1	13.25
54	COMM., UTIL. (hvy. duty)		3702401	1	15.50

NOTE: For complete clutch installation w/assemblies 3836003 and 3836004 include 9—838653 bolts, 9—120382 lockwashers, 1—909422 throwout bearing and select correct clutch disc.

**0.864 SPRING—BOLT, Clutch Pressure Plate Retracting**

38-53	ALL	SPRING	838646	3	.07
54	ALL	SPRING	3702404	3	.07
38-53	ALL	BOLT ( $\frac{1}{4}$ —20 x $\frac{3}{8}$ — $\frac{1}{16}$ hex.)	754381	3	.08
54	ALL	BOLT ( $\frac{3}{16}$ —18 x $\frac{1}{4}$ x $\frac{1}{2}$ hex.)	3702403	3	.08

**0.865 SPRING, Clutch Pressure**

29-31	ALL		344141	9	.26
32-34	ALL (exc. CC, DA, DC)	(w/836621)	836850	9	.26
33-34	CC, DC	(w/braided facing 601437)	364987	9	.14
34-37	ALL (exc. DC, EC, FC)		837461	9	.26
35-36	EC, FC	unit (contains 9 springs)	601811	1	1.74
38-39	ALL (w/bolted type cover)		3836010	1	3.10

**0.866 RING, Clutch Spring Pivot**

38-39	ALL (w/bolted type cover)	(7 $\frac{1}{2}$ LD.)	838644	2	.36
38-39	ALL (w/bolted type cover)	WASHER, pivot ring ( $\frac{3}{16}$ I.D. x 1 $\frac{1}{8}$ O.D.)	838702	18	.02
38-39	ALL (w/bolted type cover)	BOLT, spring retainer (shldr. $\frac{1}{16}$ dia., $\frac{5}{16}$ —24 x $\frac{1}{16}$ )	838703	9	.17

**0.867 CUP, Clutch Spring**

34-37	ALL		837557	9	.28
-------	-----	--	--------	---	-----

**0.870 BOLT, Clutch Cover and Pressure Plate**

34-37	ALL (exc. DC)	( $\frac{3}{8}$ —16 x $\frac{1}{8}$ )	837467	9	.08
34-37	ALL (exc. DC)	lever ( $\frac{3}{8}$ —16 x $\frac{3}{4}$ )	837445	6	.08
38-54	ALL	( $\frac{3}{8}$ —16 x 1)	838653	A.R.	.07

**0.874 LEVER, Clutch Pressure**

29-31	ALL	(forged 346811)	346811	3	.76
33-34	CC, DC	(forged 473731)	473731	3	.76
34-37	ALL (exc. DC) (w/837443 plate)	(3 $\frac{1}{8}$ length—one $\frac{3}{8}$ hole)	837556	3	.65



**0.875 PIN, Clutch Pressure Lever**

29-34	ALL (exc. DA) (w/836621 plate on DB, P)	(1 3/8 length—3/8 head dia.)	345417	3	.17
33-34	CA, DC	fork control idler (1 3/8 length)	364937	1	.17
34-37	ALL (exc. DC) (w/837443 plate)	(1 3/8 length—3/8 head dia.)	837492	3	.17

**0.878 SPRING, Clutch Pressure Lever Retainer**

32-34	ALL (exc. DA) (w/836621 plate on DB, P)	(1 5/8 long x 1 3/8 wide)	473174	3	.10
34-37	ALL (exc. DC) (w/837443 plate)	(2 1/8 long x 2 3/4 wide)	837558	3	.10

**0.880 PLATE, Clutch Pressure Lever**

29-37	ALL (exc. CC, DC)	(2 1/8 length—3/8 holes)	836623	3	.09
33-34	CC, DC	(1 13/16 length—3/8 holes)	473732	3	.07

**0.884 RIVET, Clutch Disc Facing**

29-39	ALL	(3/4 x 3/16—brass)	836189	A.R.	.01
-------	-----	--------------------	--------	------	-----

**0.885 FACING, Clutch Disc**

33-39	PASS., 1/2 TON	(6 1/4 I.D. x 9 O.D.—15 rivets)	837749	2	.76
36-37	COMM., UTIL. (exc. 1/2 TON)	(6 1/4 I.D. x 10 O.D.—15 rivets)	836009	2	1.08
38-39	COMM., UTIL. (exc. 1/2 TON)	(7 I.D. x 10 3/4 O.D.—18 rivets)	838630	2	1.48

**0.886 DISC, with Facing, Clutch**

29-30	ALL (exc. LR, LS)	(solid disc—9 O.D.—12 rivets)	836179	1	4.40
30-32	LR, LS, LT, M, N	(solid disc—10 O.D.—16 rivets)	837011	1	5.11
31	PASS., 1/2 TON	(solid disc—9 O.D.—12 rivets)	836367	1	4.40
32-37	B, CA, CB, DA, DB, E, F, GA, GB, GC	(moulded—9 O.D.—15 rivets)	837747	1	5.62
32-37	B, CA, CB, DA, DB, E, F, GA, GB, GC	(woven—9 O.D.)	3696061	1	6.33
33-34	CC, DC (use 364987 springs)	(cushion disc—9 O.D.—15 rivets)	601437	1	5.22
33-37	COMM., UTIL. (exc. 1/2 TON) (may also be used on 1932 N jobs)	(cushion disc—10 O.D.—15 rivets)	836007	1	6.53
38-40	PASS., 1/2 TON,				
41	1/2 TON	(moulded—9 O.D.—16 rivets)	3847450	1	7.25
38-40	PASS., 1/2 TON,				
41	1/2 TON	(woven—9 O.D.)	3847530	1	7.85
38-49	3/4, 1, 1 1/2 TON,				
50-53	3/4, 1, 1 1/2 TON (w/216),				
41-52	PASS. (hvy. duty),				
41-53	1/2 TON (hvy. duty)	(moulded—10 1/4 O.D.)	3835453	1	8.95
41-53	PASS., 1/2 TON (exc. AK),				
54	PASS. (exc. hvy. duty)	(moulded—9 O.D.—16 rivets)	3835216	1	7.25
41-53	PASS., 1/2 TON (exc. AK),				
54	PASS. (exc. hvy. duty)	(woven—9 O.D.)	3835343	1	7.85
46-52	ALL w/235,				
53	ALL w/235 (hvy. duty on PASS.)	(woven—10 1/4 O.D.—16 rivets)	3835454	1	9.85
54	PASS. (hvy. duty),				
54	COMM. (exc. hvy. duty, D-D)	(molded) (10 O.D.) (stamped 3836097)	3836097	1	8.25
54	COMM., UTIL. (hvy. duty)	(woven) (11 O.D.) (hub painted pink)	3836021	1	11.95

**0.899 CLUTCH OVERHAUL PARTS UNIT**

34-37	ALL (exc. DC)	less clutch springs	609166*	1	4.93
-------	---------------	---------------------	---------	---	------

\*NOTE: Consists of release bearing, pressure levers, pins, lever retainers, bearing plate.

# CHEVROLET MASTER PARTS CATALOG

YEAR	MODEL	PART NAME	PART NO.	NO. USED	LIST PRICE
<b>1.062 PULLEY, Fan and Water Pump</b>					
32-36	ALL	(837606 stamped on pulley)	837872	1	1.77
37	ALL	(838466 stamped on pulley)	838473	1	1.77
38	ALL	(838764 stamped on pulley—shaft hole .590 dia.)	838763	1	1.77
38	ALL (w/598308 pump)	(838764 stamped on pulley—shaft hole .610 dia.)	598310	1	1.77
39-52	ALL				
53-54	UTILITY	(838905 stamped on pulley)	838904	1	1.80
53-54	PASS., COMM.	(pulley "V" 3/8 wide)	3703600	1	1.80
<b>1.064 BLADE ASSY., Fan</b>					
29-36	A, B, N, C, O, D, E, F (exc. DB, EB, FB)	(15 3/4 dia., 2 1/8 bolt circle, 1 1/8 in. shaft hole, staggered blades)	836968	1	2.32
37	ALL (for Lo Spd. operation)				
33-36	CB, O, DB, P, EB, Q, FB, R (for greater cooling on CB, O)	(16 1/4 dia., 2 1/8 bolt circle, 1 1/8 in. shaft hole, staggered blades)	837448	1	2.32
37-40	GA, HA, KA, KH	(15 3/4 dia., 2 1/4 bolt circle, 1 in. shaft hole, staggered blades)	838277†	1	2.32
41-54	PASS.				
37-39	GB, GC, GD, GE, S, HB, JB, JC, ID, JE, V.	(16 1/4 dia., 2 1/4 bolt circle, 1 in. shaft hole, staggered blades)			
39-49	PASS. (w/hvy. duty equ.) (exc. JB, KB)				
40-49	PASS. (exc. KA, KB)	(use w/11:41 rear axle only)	838279†	1	2.32
37-38	GA, HA (w/598308)	(15 3/4 dia., 2 1/4 bolt circle, 1 in. shaft hole, staggered blades)	838933	1	2.32
37-38	ALL (exc. GA, HA) (w/598308)	(16 1/4 dia., 2 1/4 bolt circle, 1 in. shaft hole, staggered blades)	838936	1	2.30
39-54	COMM., UTILITY (exc. 261)	(18 dia., 4 blades)	839020	1	2.32
37-52	UTILITY (for low speed operation)	(18 dia., 6 blades)	604225*	1	3.27
39-53	ALL (for low speed operation)	(16 1/4 dia., 2 1/4 bolt circle, 1 1/8 in. shaft hole, staggered blades)	603353	1	2.32
54	ALL w/261	(18 dia. 4 blades)	3708928	1	2.32
54	UTIL. (low speed operation)	(18 dia. 6 blades)	3707662	1	3.50
†NOTE: For use w/598308 pump on 1937; 838279 also used on BG, DJ, EJ, FI, GI, TAXI.					
*NOTE: When using 604225 on 1937-38 models it is also necessary to use 838903 pump.					
<b>1.066 BELT, Fan and Generator</b>					
29-32	ALL	(molded 836347)	836347	1	1.85
33-36	ALL (exc. CC, DC)	(molded 601518)	601518	1	1.85
37-52	ALL				
53-54	UTILITY (exc. 261)	(molded 3680776)	3680776	1	1.85
37-42	ALL (w/heavy duty generator)	(painted 595949)	595949	1	1.85
47-52	COMM. (w/hvy. duty gen.)				
47-54	UTIL. (w/hvy. duty gen.)	(molded 3693105)	3693105	1	2.35
53-54	PASS., COMM. (exc hvy. duty gen.)	(molded 3703634)	3703634	1	1.85
53-54	PASS., COMM. (w/hvy. duty gen.)	(molded 3703849)	3703849	1	1.85
53-54	UTIL. w/1106976	(55 amp. low cut-in)	3708572	1	2.35
54	ALL w/261	(molded 3708929)	3708929	1	2.35
<b>1.069 PUMP ASSEMBLY, Water, with Fan Pulley</b>					
29-34	ALL (exc. CC, DC)	less pulley (cast 836944)	601108	1	6.11
35	ALL	(cast 837610)	837608	1	7.55
36	ALL	(cast 836078)	836075	1	7.55
EXCHANGE ITEM					
37-38	ALL (use offset fan)	(cast 598309—pulley stamped 838764)	598308*†	1	9.35
39-40	ALL	(cast 598309—pulley stamped 838905)	838903*	1	9.35
41-52	ALL	UNIT, pulley "V" 3/8 wide (pulley stamped 838905)	3836083*	1	9.45
53-54	UTILITY (exc. 261)				
53-54	PASS. COMM. (exc. A.T.)	UNIT, pulley "V" 3/8 wide	3836084*	1	9.45
54	ALL w/261	(3836208 cast on body)	3836207*	1	9.85

\*Exchange Price Shown. Add .50 to prices if used Chevrolet Water Pump Assembly is not exchanged.

†NOTE: Repair parts for original 1937 water pump (part 838464) and original 1938 water pump (part 603148) may be identified by their respective part numbers. Fan blade 838933 must be installed with 598308 on 1937 series GA and fan blade 838936 must be installed with 598308 on 1937 series GB, GC, GD, GE, S.

**1.071 REPAIR KIT, Water Pump**

29-34	ALL (exc. DC).....	.....	603743*	1	3.10
35	ALL.....	.....	603744*	1	3.10
36	ALL.....	.....	603745*	1	3.10
37-54	ALL.....	.....	3690932†	1	.92

\*NOTE: Consists of: rotor and shaft, bushings, packing, thrust washer, gasket.

†NOTE: Consists of: seal assy., seal washer, bearing retainer, plate gaskets.

**1.074 BUSHING, Water Pump Body**

29-36	ALL.....	frt. (.615 I.D. x 1.018 O.D. x 1 in. length).	837034	1	.50
29-36	ALL.....	rear (.615 I.D. x .690 O.D. x 5/8 length)..	837193	1	.26

**1.076 WASHER, Water Pump Rotor Thrust**

29-38	ALL.....	(bakelite—5/8 I.D. x 1 1/8 O.D.).....	838805	1	.08
	Not required in this group. See group 0.206.....		394123		.03

**1.079 GASKET, Water Pump Assembly to Block**

37-40	ALL.....	(has one 1 3/8 center hole).....	838137	1	.06
41-54	ALL.....	(has two 1 1/8 center holes, one 5/8 half flat hole).....	3836048	1	.06

**1.081 BAFFLE, Water Pump Rotor**

29-34	ALL (exc. CC, DC).....	(2 3/4 O.D.).....	835815	1	.18
35	ALL.....	(3 1/8 O.D.).....	837611	1	.18

**1.108 SHAFT, with Rotor, Water Pump**

29-34	ALL (exc. CC, DC).....	(cast 835816).....	835818	1	1.58
33-34	CC, DC.....	(cast 473670).....	473669	1	1.58
35	ALL.....	(cast 837605).....	837604	1	1.58
37	ALL.....	(cast 837605—4 shaft length).....	838273	1	1.58

**1.113 PLATE, Water Pump Back**

37-40	ALL.....	(has one 1 3/8 center hole).....	838151	1	.43
41-54	ALL.....	(by-pass hole flattened on top side).....	3836082	1	.43

**1.114 GASKET, Water Pump Body**

33-34	CC, DC.....	(has 2 3/4 round hole and 2 x 2 5/8 sq. holes)	473671	1	.07
35	ALL.....	(has 3 3/8 round ctr. hole—three 5/16 holes— one 1/2 hole).....	837893	1	.06
36	ALL.....	(has 3 1/4 round ctr. hole—three 5/16 holes).	836080	1	.06
37-40	ALL.....	to plate.....	838150	1	.06
41-54	ALL.....	to plate.....	839469	1	.06

**1.129 NUT, Water Pump Packing**

29-36	ALL.....	(1—20 thd. x 3/4 length overall).....	835865	1	.25
-------	----------	---------------------------------------	--------	---	-----

**1.133 PACKING—SPACER, Water Pump**

29-36	ALL.....	(5/8 I.D. x 1 1/16 O.D. x 1/4 thick—split).....	353298	A.R.	.18
37-38	ALL.....	(5/8 I.D. x 1 O.D. x 5/16 thick—solid).....	838808	5	.11
29-36	ALL.....	SPACER (5/8 I.D. x 1 1/16 O.D. x 5/8 width).....	836111	1	.25

**1.146 PLUG, Water Jacket (also see groups 8.970 and 0.033)**

37-54	ALL.....	(1 1/8 O.D.—cup shape).....	838538	2	.06
-------	----------	-----------------------------	--------	---	-----



**1.148 GAUGE, Water Temperature Heat, with Capillary Tube**

33-38	CA, CB, O, DB, P, EB, Q		859881	1	7.89
34-35	PASS. (exc. DC, EC)		1510136	1	7.40
35-36	EC, FC	unit, complete w/light	602732	1	5.75
36-39	FA, FB, FD, R, GC, GD, GE, S, HC, HD, HE, T, IC, ID, IE, V				
40-46	FLAT FACE COWL		1510163	1	6.43
37-38	GB, HB (exc. CONV.),				
39	JA (special eqn. on JB)	light dial, red pointer	1510899	1	6.43
39	COE	approx. 66 overall	1510848	1	6.69
40-46	ALL (exc. AG, AH, BG, BH, DJ, DK, COE)	dark brown trim	1511264	1	6.43
40-46	COE	light brown trim	1510995	1	6.43
37-38	PASS. (CONV. only GB, HB),				
41	PASS.		1511051	1	5.43
47-53	COMM., UTIL. (exc. D-D, COE),				
54	COMM., UTIL. (FFC)		1512701	1	6.43
47-53	DUBL-DUTI, COE		1512703	1	6.81
42-48	PASS.		1512078	1	6.43
49-50	PASS.		1511842	1	5.90
51-52	PASS.		1512241	1	5.62
53	PASS.		1512456	1	5.62
54	PASS.		1512818	1	5.26
54	COMM., UTIL. (exc. D-D, COE, FFC)	(tube 44 O.L.)	1512692	1	5.79
54	D-D, COE	(tube 73 O.L.)	1512750	1	6.33
30-40	ALL (exc. CC, DC)	FITTING, in cylinder head	597630	1	(0.277)

**1.153 OUTLET, Water**

29-38	ALL (exc. CC, DC)	(3 ctr. to ctr. bolt holes)	837334	1	1.05
37-39	ALL	(3 1/4 ctr. to ctr. bolt holes)	838340	1	1.05
40-54	ALL (exc. 261)	(cast 3835423)	3835423	1	1.05
54	ALL w/261	(cast 3836209)	3836209	1	1.05

**1.154 GASKET, Water Outlet**

29-36	ALL (exc. CC, DC)	(3 ctr. to ctr. bolt holes)	835614	1	.07
37-54	ALL	(3 1/4 ctr. to ctr. bolt holes) (outlet to hsg.)	838341	1	.07

**1.155 HOSE, Radiator**

	See chart below	(1 1/4 I.D. x 36 length)	364382	A.R.	2.07
	See chart below	(1 1/2 I.D. x 36 length)	3701363	A.R.	2.24
42-54	PASS.	inlet (1 1/4 curved) (cut at "1" mark),			
47-48	COMM., UTIL.	(cut at "3" mark),			
52-53	COMM., UTIL. (exc. D-D)	(cut at "2" mark),			
49-51	COMM., UTIL.,				
52-53	DUBL-DUTI,				
54	COMM., UTIL. (exc. 261)		3702348	1	.71
50-54	PASS. w/P.G.	cooler to radiator (1 1/2 I.D. x 5)	3694352	1	.27
54	ALL w/261	(1 1/2 I.D.)	3708930	1	.85

**RADIATOR HOSE CHART**

NOTE: "INLET" hose is used between top of radiator and engine water outlet. "OUTLET" hoses (upper and lower) are used between bottom of radiator and cylinder block.

INLET HOSE				OUTLET HOSE			
Year	Series	I.D.	Length	Year	Series	I.D.	Length
29	ALL	1 1/4	10 1/2	29-32	ALL	1 1/4	4 1/4
30	ALL	1 1/4	9 1/2	33	CA, CB, O	1 1/4	3 1/2
33	ALL (exc. CC)	1 1/4	8 1/2	33-34	CC, DC	1 1/4	9 1/2
33-34	CC, DC	1 1/4	10 3/4	34	ALL (exc. DC)	1 1/4	4 1/4
34	DA	1 1/4	8 1/2	35-36	ALL	1 1/2	4 1/4
34-36	COMM., UTILITY	1 1/4	9 1/2	37-40	ALL (upper)	1 1/2	2 3/4
35-36	EC, FC	1 1/4	8 1/2	37-40	ALL (lower)	1 1/2	5
35-36	PASS. (exc. EC, FC)	1 1/4	7 1/2	41-46	ALL	1 1/2	4 1/2
37-41	PASS.	1 1/4	5 1/2	47-48	PASS.	1 1/2	4 1/2
37-46	COMM., UTIL. (exc. COE)	1 1/4	6 3/4	47-49	COMM., UTILITY	1 1/2	3 1/2
42-54	PASS.	See 3702348		49	PASS.	1 1/2	3 1/2
39-46	COE (filler neck)	1 1/2	3 1/2	50-54	ALL (exc. P.G., 261)	See 3694277(1.173)	
47	COE (filler neck)	1 1/2	8 1/2	50-54	PASS. w/P.G.—pump to cooler	1 1/2	2 1/2
47-51	COMM., UTILITY	See 3702348		54	ALL w/261	See 3708931(1.173)	
52-54	COMM., UTIL. (exc. 261)	See 3702348					
54	ALL w/261	See 3708930					

**1.166 CLAMP, Hose, with Nut and Bolt**

ALL	ALL	for 1 1/8 dia. hose	111603	A.R.	.06
ALL	ALL	for 1 3/8 dia. hose	3696820	A.R.	.08
ALL	ALL	universal (expansion 1 1/2 to 2 3/4 O.D.)	3692864	A.R.	.13

**1.173 PIPE—HOSE, Radiator Outlet**

35-40	ALL	(1 1/2 O.D.)	378248	1	.77
41-46	ALL				
47-48	PASS.	HOSE (1 1/2 I.D.) (molded curve)	3692230	1	1.05
47-48	COMM., UTILITY,				
49-54	ALL (exc. P.G., 261)	HOSE (1 1/2 I.D.) (molded curve)	3694277	1	1.29
54	ALL w/261	HOSE (1 3/4 I.D.)	3708931	1	1.65

**1.174 FILTER UNIT—ELEMENT—PLATE—GASKET, Water**

51-52	ALL				
53-54	ALL (exc. COE)	FILTER UNIT (6 filters and 2 element units), . .	986760	A.R.	87.90
51-52	ALL				
53	ALL (exc. COE)	FILTER UNIT	986705	A.R.	10.95
54	ALL (exc. COE)	FILTER UNIT	986894	1	14.95
51-52	ALL				
53-54	ALL (exc. COE)	ELEMENT UNIT (6)	986706	A.R.	11.10
51-52	ALL				
53-54	ALL (exc. COE)	PLATE, lower corrosion resistor	3701140	1	.65
51-52	ALL				
53-54	ALL (exc. COE)	GASKET	3701339	1	.25

**1.175 ANTI-FREEZE, Radiator**

ALL	ALL	24 1 qt. cans (Methanol)	986955	A.R.	9.60
ALL	ALL	six 1 gal. cans (Methanol)	986954	A.R.	9.00
ALL	ALL	54 gal. drum (Methanol)	986956	A.R.	81.00
ALL	ALL	24 1 qt. cans (Ethylene Glycol)	986953	A.R.	24.00
ALL	ALL	six 1 gal. cans (Ethylene Glycol)	986952	A.R.	22.50

**1.203 CAP, Radiator Filler, with Gasket**

31-33	ALL (exc. CA, CC)	(spring type)	3691018	1	1.18
33-36	CA, CC, D, P, EB, EC, Q, FB, R	(round)	3689122	1	1.03
35-36	PASS. (exc. EC)	(sq. ear)	378500	1	.54
37-47	ALL (exc. COE)				
48-52	COMM., UTIL. (exc. D-D, COE)				
49-51	PASS. (exc. P.G.)	(dbl. ear)	594498	1	.54
39-47	COE				
48-53	DUBL-DUTI	(round type)	3660773	1	.72
48-52	PASS., COE				
53	ALL (exc. D-D)				
54	COMM., UTIL.	pressure type (dbl. ear-marked 501)	850501	1	1.50
54	PASS.	pressure type (dbl. ear, marked ACS49)	850549	1	1.50

**1.206 GASKET, Radiator Filler Cap**

48-54	ALL (exc. DUBL-DUTI, COE)	upr. (1 1/8 I.D. x 2 1/8 O.D.)	846689*	1	.26
-------	---------------------------	--------------------------------	---------	---	-----

\*NOTE: Use 846689 only when car is equipped with radiator overflow condenser.

**1.210 NECK, Radiator Filler**

39-47	COE				
48-53	DUBL-DUTI	w/clamp and overflow pipe	3650966	1	1.60
54	DUBL-DUTI	w/clamp and overflow pipe	3705981	1	2.50

**1.219 CORE, Radiator**

34-36	COMM., UTILITY		3106560	1	43.10
35-38	PASS. (exc. EC)		3106480	1	38.60
35	EC	(2 1/8 core) (stamped 3107400)	379070	1	38.60

37	PASS.	(stamped 3108266)	3108266	1	42.00
37-39	COMM., UTILITY.	(stamped 3121208—2" core)	3121208	1	44.25
37-39	COMM., UTIL. (exc. COE) (hvy. duty)	(stamped 3121212—3" core)	3121212	1	44.25
38	PASS.	(stamped 3109032)	3109032	1	42.00
39	PASS.	(stamped 3112128)	3112128	1	42.00
39-40	COE	(stamped 3112375)	3112375	1	44.20
40-41	PASS.	(stamped 3114869—2" core)	3114869	1	58.75
40	COMM., UTIL. (exc. COE)	(stamped 3113453)	3113453	1	44.20
41-48	COMM., UTIL. (exc. COE)	(2" core)	3116352	1	57.30
41-48	COE	(stamped 3115087)	3115087	1	45.80
42-48	PASS.	(stamped 3121096—2" core)	3121096	1	60.85
47-53	COMM., 1½ TON (exc. D-D)	w/cap (stamped 3128513—2" core)	3129669	1	53.25
47-53	¾, 1, 1½ TON (hvy. duty) (exc. D-D),				
52-53	2 TON	w/cap (stamped 3128514—2½" core)	3129670	1	68.50
47-53	2 TON (hvy. duty),				
54	1, 1½ TON (hvy. duty),				
54	2 TON (exc. 261)	w/cap (stamped 3121499—3" core)	3130812	1	62.85
48-53	DUBL-DUTI.	(stamped 3121500)	3121500	1	57.10
49-54	PASS.	(stamped 3128877—2" core)	3130944	1	60.85
54	½, ¾ TON (exc. D-D)	(stamped 3118968—2" core)	3118968	1	58.50
54	I (hvy. duty),				
54	1, 1½ TON (exc. D-D)	w/cap (stamped 3131361—2½" core)	3131855	1	69.50
54	DUBL-DUTI.	(stamped 3131362—2" core)	3131362	1	59.00
54	2 TON w/261	(stamped 3132039—3" core)	3132039	1	79.50

#### 1.229 DRAIN, Radiator

40-47	PASS.	(½ tapered pipe thd.—1½ length)	3113456	1	.35
48-52	PASS.	(¼ tapered pipe thd.—1½ length)	3663932	1	.32
48-50	COMM., UTIL.,				
51-54	ALL	(¼)	3835638	1	.32

#### 1.240 CONDENSER—HOSE, Radiator Overflow

53-54	ALL (exc. D-D, COE)	CONDENSER UNIT	986643	1	4.35
37-54	ALL (exc. COE)	HOSE, outlet (¾ I.D. 50 ft. roll)	601607	A.R.	(8.962)
37-54	ALL (exc. COE)	HOSE, inlet (¾ I.D. x 72 length)	604041	1	(8.962)

#### 1.246 THERMOSTAT, Radiator and Hot Water Heater

ALL	ALL	151°	3123993	1	1.85
ALL	ALL	160°	3123994	1	1.85
ALL	ALL	170°	3124025	1	1.85
ALL	ALL (exc. 1954 PASS.) (for max. heat)	180°	3123995*	1	1.85

\*NOTE: Not used w/7 lb. pressure, radiator cap.

#### 1.251 HOUSING, Thermostat

37-39	ALL		838339	1	1.22
40-54	ALL		839232	1	1.22

#### 1.252 GASKET, Thermostat Housing

29-36	ALL	spacer to head and outlet	348931	1	.07
37-54	ALL	housing to head	838297	1	.07

#### 1.263 SHELL—PANEL, Radiator

36	PASS.	(prime)	602108	1	13.32
37	PASS.	upr., (w/supt. and wire junct. block)	602608	1	22.35
37	COMM., UTILITY	w/supt.	602395	1	22.35
38	PASS.	hvt.	603097	1	1.30
38	PASS.	upr., (w/supt. and wire junct. block)	602953	1	22.35
38	COMM., UTILITY	upr.	597963	1	1.27
38	COMM., UTILITY	w/supt.	603002	1	22.85



39	COMM., UTIL. (exc. COE)	upr.	350470	1	1.27
39	COMM., UTIL. (exc. COE)	w/supt.	603362	1	22.35
39-40	COE	w/supt.	604575	1	38.08
40	COMM., UTIL. (exc. COE)	upper	3653700	1	1.72
40	COMM., UTIL. (exc. COE)	w/supt.	604428	1	22.35
41-46	COE	upr. and ctr.	3658522	1	20.70
41-46	COE	lwr.	3676596	1	30.87
39	PASS.	PANEL, grille lwr.	350315	1	1.05
40	PASS.	PANEL, grille lwr.	3653401	1	2.65
41	PASS.	PANEL, grille lower	3658214	1	3.26
41-46	COMM., UTILITY (exc. COE)	PANEL, grille, lwr. (edge of cut-out flanged)	3680810	1	3.05

NOTE: For upper side panels see group 8.153 front fender extension panel.

#### 1.254 SUPPORT, Radiator Shell

41-46	COE		3659123	1	1.60
-------	-----	--	---------	---	------

#### 1.266 GRILLE—REINFORCEMENT—DEFLECTOR—PLATE—SUPPORT, Radiator

34	DA		374101	1	6.35
38	PASS.		475064	1	10.51
37	PASS.		594624	1	11.45
37	COMM., UTILITY		595112	1	11.98
38	PASS.	L. (stainless steel)	3847215	1	7.63
38	PASS.	R. (stainless steel)	3847216	1	7.63
38	COMM., UTILITY	L.	597829	1	5.92
38	COMM., UTILITY	R.	597830	1	5.92
39	PASS.	L.	350339	1	5.92
39	PASS.	R.	350340	1	5.92
39	COMM., UTIL. (exc. COE)		350442	1	11.32
39-40	COE		3650457	1	12.72
40	PASS.		3653525	1	11.98
40	COMM., UTIL. (exc. COE)		3653523	1	11.98
41	PASS.		3658060	1	11.98
41-46	COMM., UTILITY (exc. COE)	upper	3657169	1	9.40
41-46	COMM., UTILITY (exc. COE)	lower	3657185	1	17.95
42	PASS.		3663895	1	11.98
46	PASS.		3681272	1	31.71
47-48	PASS.	center	3690280	1	13.78
47-48	PASS.	left	3847455	1	13.78
47-48	PASS.	right	3847456	1	13.78
47-53	COMM.	(in prime)	3693744	1	19.63
47-53	UTILITY (exc. COE)	(in prime)	3847354	1	19.63
47-53	COE	(in prime)	3847358	1	19.63
49	PASS.	REINFORCEMENT ASSY., grille	3688406	1	6.91
50	PASS.	REINFORCEMENT ASSY., grille	3692600	1	6.91
50-52	PASS.	REINFORCEMENT, header bar	3694926	1	.83
53-54	PASS.	REINFORCEMENT, header bar	3701630	1	1.23
51	PASS.	DEFLECTOR, center bar air	3694928	1	1.49
51-52	PASS.	DEFLECTOR, lower bar air	3694933	1	1.28
52	PASS.	DEFLECTOR, center bar air	3699636	1	1.49
53	PASS.	DEFLECTOR, center bar air	3697859	1	1.28
53	PASS.	DEFLECTOR, lower bar air	3697860	1	1.28
51-52	PASS.	PLATE, outer bar tie L.H.	3699051	1	.98
51-52	PASS.	PLATE, outer bar tie R.H.	3699052	1	.98
53	PASS.	SUPPORT, radiator grille	3702500	1	.23
54	PASS.	SUPPORT, left, vertical outer bar (stamped 17L)	3707917	1	.15
54	PASS.	SUPPORT, right, vertical outer bar (stamped 18R)	3707918	1	.15
54	PASS.	SUPPORT, left, vertical inter. bar (stamped 19L)	3707919	1	.15
54	PASS.	SUPPORT, right, vertical inter. bar (stamped 20R)	3707920	1	.15

#### 1.268 MOULDING, Radiator Grille (see group 8.008 for hood Ornament and Emblem, and 1.303 for radiator name plate)

37	PASS.	ctr. (25 length overall)	594772	1	1.74
37	COMM., UTIL.	ctr. (25½ length overall)	594996	1	1.74

38	PASS.....	ctr. (19 $\frac{3}{4}$ length overall).....	597485	1	1.09
38	COMM., UTIL.....	ctr. upper (19 $\frac{3}{8}$ length overall).....	597988	1	1.09
38	COMM., UTIL.....	ctr. lower (5 $\frac{3}{4}$ length overall).....	597990	1	.55
39	PASS.....	upper, L. (19 $\frac{1}{4}$ length overall).....	350619	1	1.05
39	PASS.....	upper, R. (19 $\frac{1}{4}$ length overall).....	350620	1	1.05
39	PASS.....	ctr. (17 $\frac{1}{4}$ length overall).....	350628	1	.71
39	COMM., UTIL. (exc. COE).....	ctr. upr. (21 $\frac{3}{4}$ length overall).....	350814	1	1.35
39-40	COMM., UTILITY.....	ctr. lwr. (6 $\frac{7}{8}$ length overall).....	350812	1	.60
40	PASS.....	upr. (18 length overall—stamped "CHEV")	3655436	1	1.35
40	PASS.....	ctr. (15 $\frac{7}{8}$ length overall).....	3653827	1	.98
40	PASS.....	side, L. (19 $\frac{5}{8}$ length overall).....	3653805	1	1.22
40	PASS.....	side, R. (19 $\frac{5}{8}$ length overall).....	3653806	1	1.22
40	COMM. and UTIL. (exc. COE).....	ctr. upr. (20 $\frac{1}{4}$ length overall).....	3653529	1	1.35
41	PASS.....	upr. (13 $\frac{1}{4}$ length overall).....	3658303	1	2.60
41	PASS.....	ctr. (14 $\frac{1}{4}$ length overall—w/emblem)....	3658071	1	2.60
41	PASS.....	side, L. (15 $\frac{1}{2}$ length overall).....	3658067	1	2.05
41	PASS.....	side, R. (15 $\frac{1}{2}$ length overall).....	3658068	1	2.05
41	PASS.....	lwr. L. (19 $\frac{5}{8}$ length overall).....	3658069	1	2.25
41	PASS.....	lwr. R. (19 $\frac{5}{8}$ length overall).....	3658070	1	2.25
42	PASS.....	upr. (21 $\frac{1}{4}$ length overall—stamped "CHEV.").....	3664332	1	4.08
42	PASS.....	ctr. (10 $\frac{3}{8}$ length overall).....	3664083	1	1.45
42	PASS.....	side, L. (14 $\frac{5}{8}$ length overall).....	3663905	1	1.48
42	PASS.....	side, R. (14 $\frac{5}{8}$ length overall).....	3663906	1	1.48
42	PASS.....	lwr., L. (23 $\frac{5}{8}$ length overall).....	3664263	1	1.48
42	PASS.....	lwr., R. (23 $\frac{5}{8}$ length overall).....	3664264	1	1.48
46	PASS.....	upr. assy. (cast 3676572).....	3676572	1	11.34
47-53	COE.....	upper assy. (hood bar).....	3685981	1	1.42
47-48	PASS.....	upr. assy. (stmpd. "CHEVROLET").....	3687410	1	10.23
48	PASS.....	ctr. assy. (vertical) (14 $\frac{3}{8}$ length overall).....	3687150	1	7.22
49-50	PASS.....	upr. (stmpd. "CHEVROLET").....	3688269	1	8.57
49-50	PASS.....	ctr. (horizontal) (63 length overall).....	3688271	1	7.66
49-50	PASS.....	lwr. (horizontal) (63 length overall).....	3693956	1	7.66
49	PASS.....	ctr. (vertical) (4 $\frac{1}{4}$ length overall).....	3688381	1	.78
49	PASS.....	inter., L. and R. (vertical) (4 $\frac{1}{8}$ O.L.).....	3688382	4	.78
49-50	PASS.....	outer, L. (vertical) (3 $\frac{7}{8}$ length overall)...	3688383	1	.78
49-50	PASS.....	outer, R. (vertical) (3 $\frac{7}{8}$ length overall)...	3688384	1	.78
50	PASS.....	L.H. vertical under parking lamp.....	3692603	1	1.60
50	PASS.....	R.H. vertical under parking lamp.....	3692604	1	1.60
51	PASS.....	upr. (stamped "CHEVROLET").....	3699046	1	8.97
51	PASS.....	ctr. (horizontal).....	3699047	1	6.88
51-52	PASS.....	lwr. (horizontal).....	3699048	1	6.88
51-52	PASS.....	outer, L. (horizontal—"U" shaped).....	3700075	1	4.69
51-52	PASS.....	outer, R. (horizontal—"U" shaped).....	3700076	1	4.69
52	PASS.....	upr. assy. ....	3700073	1	8.57
52	PASS.....	ctr. (horizontal).....	3700074	1	6.90
52	PASS.....	outer, L. (vertical).....	3700077	1	1.28
52	PASS.....	outer, R. (vertical).....	3700078	1	1.28
52	PASS.....	intermediate, L. (vertical).....	3700079	1	1.28
52	PASS.....	intermediate, R. (vertical).....	3700080	1	1.28
52	PASS.....	center (vertical).....	3700081	1	1.28
53	PASS.....	upper.....	3701629	1	6.90
53	PASS.....	center (horizontal).....	3697848	1	4.95
53	PASS.....	lower.....	3697849	1	6.95
53	PASS.....	center (vertical).....	3698012	1	2.95
53	PASS.....	outer, L. (vertical).....	3698015	1	2.95
53	PASS.....	outer, R. (vertical).....	3698016	1	2.95
53	PASS.....	outer end, L.....	3701631	1	4.90
53	PASS.....	outer end, R.....	3701632	1	4.90
54	PASS.....	upper.....	3705305	1	7.85
54	PASS.....	center (horizontal).....	3705306	1	5.75
54	PASS.....	center (vertical).....	3705313	1	2.25
54	PASS.....	intermediate, left (vertical).....	3705311	1	2.25
54	PASS.....	intermediate, right (vertical).....	3705312	1	2.25
54	PASS.....	outer, left (vertical).....	3705309	1	2.25
54	PASS.....	outer, right (vertical).....	3705310	1	2.25
54	PASS.....	outer end, left.....	3705307	1	6.75
54	PASS.....	outer end, right.....	3705308	1	6.75
54	COMM.....	upper (notched on flange).....	3700339	1	3.85

54	COMM.	center, left (horizontal) (notched on flange)	3700451	1	2.85
54	COMM.	center, right (horizontal) (notched on flange)	3700452	1	2.85
54	COMM. (exc. D-D)	center, left (horizontal) (chrome)	3701113	1	11.90
54	COMM. (exc. D-D)	center, right (horizontal) (chrome)	3701114	1	11.90
54	COMM.	lower (notched on flange)	3700439	1	4.75
54	COMM.	vertical (notched on flange)	3700511	1	3.25
54	COMM. (exc. D-D)	vertical (chrome)	3701112	1	12.85
54	COMM.	outer end, left	3700405	1	1.45
54	COMM.	outer end, right	3700408	1	1.45
54	UTILITY	center, left (horizontal)	3700377	1	2.85
54	UTILITY	center, right (horizontal)	3700378	1	2.85
54	UTILITY	vertical	3700591	1	3.25
54	UTILITY	outer end, left	3700269	1	1.45
54	UTILITY	outer end, right	3700270	1	1.45
54	UTIL. (exc. COE)	upper	3700341	1	3.85
54	UTIL. (exc. COE)	lower	3700267	1	5.25
54	COE	upper	3700905	1	4.75
54	COE	lower	3700598	1	6.90
42	PASS.	CAP, lwr. mldg. (1 3/4 x 1 3/4 overall)	3664288	1	.22

### MOULDING, Radiator Shell

36	PASS.	L. (32 1/2 length overall)	475285	1	1.74
36	PASS.	R. (32 1/2 length overall)	475286	1	1.74
36	PASS.	ctr. upr. (33 1/4 length overall)	475290	1	2.23
36	PASS.	ctr. lwr. (6 1/4 length overall)	475291	1	.60
37	PASS.	upr. (17 length overall)	594732	1	2.52
37	PASS.	side, L. (25 3/4 length overall)	594721	1	1.74
37	PASS.	side, R. (25 3/4 length overall)	594722	1	1.74
37	PASS.	lwr. (12 1/2 length overall)	594731	1	.98
37	COMM., UTIL.	upr. (19 1/4 length overall)	595311	1	2.68
37	COMM., UTIL.	side, L. (26 1/4 length overall)	595309	1	1.58
37	COMM., UTIL.	side, R. (26 1/4 length overall)	595310	1	1.58
37	COMM., UTIL.	lwr. (14 3/4 length overall)	595308	1	.88
41-46	COMM., UTIL. (exc. COE)	ctr. lwr. (22 3/8 length overall)	3661616	1	.92
41-46	COMM., UTIL. (exc. COE)	side, lwr. L. (7 1/2 length overall)	3657559	1	.60
41-46	COMM., UTIL. (exc. COE)	side, lwr. R. (7 1/2 length overall)	3657560	1	.60
41-46	COE	horizontal, No. 1 (top) (24 length overall)	3658651	1	1.26
41-46	COE	horizontal, No. 2 (23 3/4 length overall)	3658652	1	1.26
41-46	COE	horizontal, No. 3 (23 1/2 length overall)	3658653	1	1.26
41-46	COE	vertical, No. 4 (ctr.) (15 3/8 length overall)	3658654	1	1.26
41-46	COE	vertical, No. 5, L. (15 3/8 length overall)	3658655	1	.88
41-46	COE	vertical, No. 5, R. (15 3/8 length overall)	3658656	1	.88
41-46	COE	vertical, No. 6, L. (15 3/8 length overall)	3658657	1	.88
41-46	COE	vertical, No. 6, R. (15 3/8 length overall)	3658658	1	.88
41-46	COE	vertical, No. 7, L. (15 3/8 length overall)	3658659	1	.88
41-46	COE	vertical, No. 7, R. (15 3/8 length overall)	3658660	1	.88
41-46	COE	vertical, No. 8, L. (15 3/8 length overall)	3658661	1	.88
41-46	COE	vertical, No. 8, R. (15 3/8 length overall)	3658662	1	.88
41-46	COE	vertical, No. 9, L. (15 3/8 length overall)	3658663	1	.88
41-46	COE	vertical, No. 9, R. (15 3/8 length overall)	3658664	1	.88
41-46	COE	vertical, No. 10, L. (15 3/8 length overall)	3658665	1	.88
41-46	COE	vertical, No. 10, R. (15 3/8 length overall)	3658666	1	.88
41-46	COE	vertical, No. 11, L. (14 1/2 length overall)	3658667	1	.98
41-46	COE	vertical, No. 11, R. (14 1/2 length overall)	3658668	1	.98

### REINFORCEMENT, Radiator Shell Extension Panel Moulding

46-48	PASS.	grille, upr. moulding	3681308	1	.43
-------	-------	-----------------------	---------	---	-----

### 1.269 ATTACHING PARTS, Radiator Grille and Shell Moulding

36-37	ALL (exc. FB, R)	CLIP, grille (No. 10-32 tapped hole)	476080	6	.06
37	ALL	CLIP, shell moulding	595539	8	.02
38	PASS.	CLIP, grille	597634	6	.03
39	PASS.	CLIP, grille ctr. moulding	380653	2	.03
41-46	COE	CLIP, grille moulding, w/stud (No. 10-32)	3658863	3	.13
40	PASS.	RETAINER, grille ctr. moulding (14 1/4 length)	3654191	1	.33
48	PASS.	RETAINER, grille ctr. moulding (upr.)	3687099	1	.48





3688590



597634



3658863



476050



3687099



3652879



3658782



595539



3664687



350653



3686912



597463



3650204



3657798

49-50	PASS.	RETAINER, grille lower bar.	3688590	4	.17
53	PASS.	RETAINER, grille vertical bar.	3705080	2	.27
54	PASS.	RETAINER, outer end.	3705122	2	.20
54	PASS.	RETAINER, left, inter. and outer (vertical).	3705297	2	.25
54	PASS.	RETAINER, right, inter. and outer (vertical).	3705298	2	.25
41-46	COMM., UTIL. (exc. COE)	FASTENER, grille ctr. moulding (twist type).	3657798	6	(8.056)
41-46	COE.	FASTENER, grille moulding.	3658782	66	.03
42	PASS.	FASTENER, lwr. moulding.	3664687	8	.03
41-46	COMM., UTIL. (exc. COE)	SCREW, upr. grille to fender extension (No. 14-10 x 3/4 clutch hd. sheet metal).	3652879	4	(12.559)
49-52	PASS.	SCREW, header bar to fender (14-10x1).	3651216	2	(8.206)
38	PASS.	BOLT, grille ctr. moulding,			
38	COMM., UTILITY	upr. and lwr. grille mldg. (1/4-20 x 1).	597463	A.R.	.06
42	PASS.	PLATE, binder strip tie (18 1/2 length).	3664309	1	.94
48	PASS.	CLAMP, grille ctr. moulding (1 x 1 3/8) (lwr.).	3686912	1	.05
48	PASS.	SPACER, grille ctr. mldg. retainer (3/8).	3682643	A.R.	(2.277)
39	PASS.	RIVET, grille conn. and grille ctr. baffle (3/8 x 1/4 oval hd. tub.).	3650204	6	.02

### 1.270 SUPPORT—PLATE, Radiator Core

39	PASS.		350301	1	7.63
40-41	PASS.		3691155	1	7.63
41-46	COMM., UTILITY (exc. COE)		3664741	1	7.63
41-46	COE.		3660911	1	7.95
42-48	PASS.		3663820	1	5.45
47-52	1/4, 1 TON (Reg. Prod.),				
53	D-D, 1 TON (Reg. Prod.)		3686128	1	8.55
47-53	COMM. (w/hvy. duty core) (exc. D-D)		3685795	1	8.55
47-53	COE.		3685932	1	9.66
47-53	1 1/2 TON (Reg. Prod.)		3688130	1	8.55
47-53	UTIL. (exc. COE) (w/hvy. duty core)		3686129	1	8.55
49-54	PASS.		3702787	1	5.26
47-52	1/2 TON,				
53	1/2, 3/4 TON.		3692219†	1	10.65
54	1/2, 3/4 TON (exc. D-D)		3707011	1	10.65
54	I (hvy. duty), D-D, 1 TON.		3707013	1	8.55
54	UTIL. (exc. COE)		3707015	1	8.55
54	COE.		3707017	1	8.55
47-49	1/2 TON.	CONVERSION UNIT, support (w/3692219).	3692308*	1	.58
34-46	ALL,				
47-54	PASS.	PLATE, center support lock.	374194	1	.08
34-46	ALL,				
47-54	PASS.	PLATE, center support spacer.	374195	1	.08
32-46	ALL.	SPRING, cushion (1 1/8 I.D. x 1 1/4 length).	3675789	2	.13
33-46	ALL,				
47-54	PASS.	CUSHION, rad. supt. (1 1/2 x 4 x 3/8 thick).	367314	2	.13

47-53	COMM., UTIL. (exc. GP, HP, JP, KP, H, J),			
54	J (hvy. duty rad.),			
54	COMM., UTIL. (exc. H, J).....	CUSHION rad. supt. brk. (2¼ x 1¼).....	3684763	2 .05
41-54	ALL.....	BOLT, radiator body attach. (5/8-18 x ¾)...	3676480	A.R. .06

†NOTE: When using 3692219 on 1947 and 1948 models, it will be necessary to drill two holes approx. 1/16 dia. and 4" to each side from center of existing hole in front cross member. It is also necessary to use conversion unit 3692306 when installing 3692219 on above models.

\*NOTE: 3692306 consists of 12 shims, 2 washers, 2 bolts, 2 nuts.

### 1.274 COVER, Starting Crank Hole

37	PASS.....	(3/16 x 5 1/16).....	594775	1 .48
38	PASS.....	(1 1/16 x 8 1/2, w/clips).....	597929	1 .48
39	PASS.....	(1 1/4 x 2 3/4, w/clips).....	350647	1 .38
39-40	COMM., UTILITY (exc. COE).....	(1 1/2 x 3, w/clips).....	350809	1 .48
40	PASS.....	(1 3/16 x 2 1/8, w/clips).....	3653875	1 .48
41	PASS.....	(1 1/4 x 4 7/8, w/clips).....	3658557	1 .70
41-46	COMM., UTILITY (exc. COE).....	(1 5/8 x 2 1/16).....	3658076	1 .38
42	PASS.....	(1 3/8 x 1 11/16, w/clips).....	3664899	1 .48

### 1.277 SHROUD, Heavy Duty Radiator Fan w/Bracket

47-52	¾, 1, 1½ TON (exc. D-D),			
53	2 TON (reg. prod).....	(19 3/16 high).....	3699922*	1 2.54
47-52	¾, 1, 1½ TON (exc. D-D) (hvy. duty),			
47-52	2 TON (exc. COE),			
53	2 TON (hvy. duty),			
54	¾, 1, 1½ TON (exc. D-D) (hvy. duty),			
54	2 TON.....		3705063*	1 3.05
47-52	COE,			
53	¾, 1, 1½ TON (exc. D-D) (hvy. duty),			
53	2 TON.....		3705060*	1 2.55
47	2 TON (exc. COE).....	BOLT (to attach. shroud) (5/8-18 x ¾).....	3676480	A.R. (1.270)

\*NOTE: 3699922 and 3705060 used with 2 1/2" Core 3129670. 3705063 used with 3" Core 3130612.

For installation on COE, refer to Tech. Service Bulletin #244, DR #124.

### 1.285 BAFFLE, Radiator Shell

37	COMM., UTILITY.....	(cut off rear flange for hvy. duty core)...	594751	1 1.52
38	PASS.....		597437	1 1.45
38	COMM., UTILITY.....	(cut off rear flange for hvy. duty core)...	597983	1 1.52
39	PASS.....	lower.....	350191	1 1.52
39-40	COMM., UTIL. (exc. COE).....	upr. (cut off rear flg. for hvy. duty core)..	3653664	1 1.09
39-40	COMM., UTIL. (exc. COE).....	lwr. (cut off rear flg. for hvy. duty core)..	3653740	1 1.52
40	PASS.....	lower.....	3653726	1 2.15
40-48	PASS.....	radiator support.....	3655159	1 .78
39-40	COMM., UTIL. (exc. COE).....	w/heavy duty core.....	3654303	1 1.77
40-48	PASS.....	CLAMP, baffle upper (2 1/4 length--1/4 hole)...	3655969	2 .06

### 1.286 BAFFLE, Radiator Grille

38	PASS.....	ctr.....	597312	1 1.37
38	COMM., UTILITY.....	upr.....	597984	1 1.22
38	COMM., UTILITY.....	ctr.....	597986	1 1.37
39	PASS.....	ctr.....	350314	1 1.37
39-40	COMM., UTILITY (exc. COE).....	ctr.....	350752	1 1.37
40	PASS.....	ctr.....	3654011	1 1.32
41	PASS.....	ctr.....	3658454	1 1.11
41	PASS.....	lwr. grille panel.....	3658403	1 3.88
41-46	COMM., UTIL. (exc. OE, OF, OG, PV, PW, PX, COE).....	upr. grille upr.....	3664734	1 2.15
41-46	COMM., UTILITY (exc. COE).....	upr. grille, ctr.....	3657396	1 .78
41-46	COMM., UTILITY (exc. COE).....	lwr. grille panel (w/heavy duty rad. core)..	606786	1 3.88
41-48	COMM., UTIL. (exc. COE, OE, OF, OG, PV, PW, PX).....	lwr. grille panel.....	606785	1 3.75
42	PASS.....	upr.....	3664636	1 4.09

42	PASS.	ctr.	3664642	1	1.00
42-46	COMM., UTILITY (exc. COE)	upr. grille, upr. (w/heavy duty core)	3664739	1	2.26
46-47	PASS.	ctr.	3681331	1	1.00
46-48	PASS.	upr.	3681350	1	4.09
42-48	PASS.	lwr. ext. panel	3847037	1	4.46
47-53	COMM. (exc. DUBL-DUTI)	upr.	3684283	1	4.09
47-53	COMM. (exc. DUBL-DUTI)	lwr.	3683583	1	5.12
47-53	UTILITY (exc. COE)	upr.	3684055	1	4.63
47-53	COE	upr.	3685796	1	4.63
47-53	UTILITY (exc. COE)	lwr.	3684322	1	5.86
47-53	COE	lwr.	3685834	1	10.77
47-53	COE	side, L. H.	3700237	1	4.95
47-53	COE	side, R. H.	3686020	1	4.98
54	COMM. (exc. D-D)	upper	3700834	1	4.10
54	UTIL. (exc. COE)	upper	3700594	1	4.60
54	COE	upper	3700226	1	4.65
54	COE	side, left	3700237	1	4.95
54	COE	side, right	3700238	1	4.95
47-53	COMM. (exc. DUBL-DUTI)	SUPPORT, lwr. baffle, left	3684745	1	.38
47-53	COMM. (exc. DUBL-DUTI)	SUPPORT, lwr. baffle, right	3684746	1	.38
47-53	UTILITY	SUPPORT, lwr. baffle, left	3684325	1	.38
47-53	UTILITY	SUPPORT, lwr. baffle, right	3684326	1	.38
42-48	PASS.	COVER, upr. baffle inspection (8½ O.D.)	3665519	1	.33
42-54	PASS.	BUMPER, grille lwr. panel (rubber)	3700014	2	.06
42-48	PASS.	SCREW, upr. baffle (No. 14-10 x ¼ clutch head, sheet metal)	3652879	4	(12.559)
42-46	PASS.	ANCHOR NUT, upr. baffle (No. 14-10-J-type) (for thin sheet metal)	3664889	6	.03
47-54	ALL	ANCHOR NUT, upr. baffle (No. 14-10-J-type) (for thick sheet metal)	3681424	1	.04

### 1.287 PANEL—REINFORCEMENT, Radiator Grille Filler (between grille and bumper)

41	PASS.	(between grille and hood)	3658299	1	1.66
42	PASS.		3663936	1	5.20
46	PASS.		3681349	1	5.20
47-48	PASS.		3684052	1	5.18
47-53	COMM. (exc. D-D)		3684145	1	5.20
47-53	UTILITY		3684324	1	4.58
49-50	PASS.		3688439	1	5.91
51-52	PASS.		3694699	1	5.91
53	PASS.		3697958	1	5.50
54	PASS.		3705125	1	6.25
54	COMM. (exc. D-D)		3701226	1	4.65
54	UTILITY		3701085	1	4.65
53	PASS.	REINFORCEMENT (1½ x 7½)	3704236	1	.38
54	PASS.	REINFORCEMENT, grille to bumper filler panel	3707844	1	.65

### 1.288 SPACER, Radiator Grille

41	PASS.	(between grille and upr. moulding)	3658540	1	.13
41	PASS.	(between grille and ctr. baffle)	3658474	2	.03
49-50	PASS.	center	3689254	1	.85
49-50	PASS.	outer, L.	3689613	1	.17
49-50	PASS.	outer, R.	3689614	1	.17
51-52	PASS.	center	3694929	1	.71
51-52	PASS.	outer, L.	3694943	1	.28
51-52	PASS.	outer, R.	3694944	1	.28
53	PASS.	center	3701635	1	.70
54	PASS.	center	3705100	1	.70

### 1.289 MOULDING, Radiator Grille Filler Panel

41	PASS.	L., upr.	3658507	1	.38
41	PASS.	R., upr.	3658508	1	.38
41	PASS.	lwr. (under name plate)	3658506	1	.71
41	PASS.	FASTENER, moulding (twist type)	3657798	A.R.	(8.056)



**1.303 PLATE—EMBLEM, Radiator (see group 8.055 for hood emblem, and 1.268 for moulding with name)**

38	PASS.....		475484	1	1.12
39	PASS.....		350602	1	2.00
39	COMM. and UTIL. (exc. COE).....	upr. grille mldg. (stamped "CHEVROLET").	350755	1	2.85
40	COMM. and UTIL. (exc. COE).....		3653546	1	4.27
41	PASS.....		3658075	1	2.00
46	PASS.....	radiator grille name.....	3681705	1	1.37
41-46	COE.....	EMBLEM (above grille).....	3658377	1	3.50
41-46	COMM., UTILITY (exc. COE).....	EMBLEM, lwr. grille.....	3657269	1	1.00

**1.307 NUT, Radiator Grille and Shell Name Plate Speed**

39	PASS.....	(for $\frac{1}{8}$ rod).....	3650491	2	.03
46-48	PASS.....	(for $\frac{3}{16}$ rod) (angle mounted).....	3682023	4	.02

**1.309 ROD, Radiator Brace**

41-46	COMM., UTIL. (exc. COE).....		3681931	1	2.22
-------	------------------------------	--	---------	---	------

**1.426 PAN, Oil with Drain Screw and Troughs**

34	ALL (exc. DC).....	(23 holes—plug in side).....	601688	1	7.25
35-36	ALL.....	w/pipes (23 holes—plug in side).....	837836	1	13.08
37-39	ALL.....	w/pipes (22 holes—plug in side).....	838866	1	13.08
40-52	ALL,				
53	ALL (exc. P/G).....	w/pipes.....	3835858	1	13.25
53	PASS. w/P.G.,				
54	ALL.....	(no troughs).....	3701602	1	9.30

**1.427 PIPE ASSEMBLY, Oil Pan Trough**

37-39	ALL.....		603956*	1	4.62
40-53	ALL.....		3835225*	1	4.61
35-39	ALL.....	SPRING, pipe (music wire).....	837844	6	.06
40-53	ALL.....	SPRING, pipe (music wire).....	839233	6	.06
40-53	ALL.....	CLIP ( $\frac{1}{2} \times 1\frac{3}{8}$ overall).....	839198	1	.04
53	ALL (exc. P.G.).....	SCREW, pipe attaching (#14—10 x $\frac{1}{8}$ ).....	3838862	2	.04

\*NOTE: Refer to Chevrolet Service Manuals for proper nozzle height and alignment.

**1.428 BOLT, Oil Pan Attaching, w/Lockwasher**

40-54	ALL.....	( $\frac{1}{4}$ —20 x $\frac{3}{16}$ —ext. lockwasher).....	839301	18	.08
42-54	ALL.....	( $\frac{3}{8}$ —18 x $\frac{9}{16}$ —ext. lockwasher).....	839896	4	.07

**1.429 GASKET UNIT, Oil Pan**

NOTE: Units consist of: left and right side gaskets and front and rear seals.

29-31	ALL.....		364161	1	.64
32	ALL.....		364126	1	.64
33-34	CC, DC.....		364956	1	.64
33-36	ALL (exc. CC, DC).....		364317	1	.64
37-39	ALL.....		602373	1	.64
40-54	ALL.....		604338	1	.64

**SEAL, Oil Pan**

37-54	ALL.....	frt., rear (cork $\frac{1}{16} \times \frac{1}{8} \times 9\frac{1}{16}$ ).....	602374	2	.07
-------	----------	--	--------	---	-----

**1.453 FLANGE—SCREW, Oil Pan Drain**

29-34	ALL.....	FLANGE ( $1\frac{1}{4} \times \frac{7}{8}$ — $\frac{1}{2}$ —20 thd. hole in ctr. welded to pan).....	839144	1	.12
40-54	ALL.....				
35-39	ALL.....	FLANGE ( $1\frac{3}{8} \times \frac{7}{8}$ — $\frac{1}{2}$ —20 thd. hole in end welded to pan).....	837859	1	.17
29-54	ALL.....	SCREW (use 344690 gasket— $\frac{1}{2}$ —20 x $\frac{1}{8}$ ).....	839079	1	.17

**1.456 GASKET, Oil Pan Drain Screw**

29-54	ALL.....	(metal and asbestos— $\frac{1}{2}$ I.D. x $1\frac{1}{16}$ O.D.).....	344690	1	.06
-------	----------	--	--------	---	-----

### 1.516 CAP, Oil Filler Tube (with Gasket)

31-47	ALL,			
48-53	FJ, FK, FP, D-D, COE,			
54	COE.....	(2 $\frac{3}{8}$ O.D.—plain round—no handle).....	836450	1 .38
48	COMM., UTIL. (exc. $\frac{1}{2}$ TON, D-D, COE),			
49-53	ALL (exc. D-D, COE),			
54	ALL (exc. COE).....	(2 $\frac{1}{4}$ O.D.—dbl. ear) (on r./arm cover)...	3835665	1 .38

### ROD—TUBE, Oil Level Gauge

29-36	ALL.....	(7 $\frac{1}{8}$ under washer to bottom).....	837662	1 .38
37-39	ALL (exc. COE).....	(8 $\frac{1}{4}$ under washer to bottom).....	838179	1 .38
40-46	ALL (exc. COE),			
47-48	PASS.....	(9 $\frac{1}{8}$ under washer to bottom).....	839245	1 .38
40-46	COE.....	(8 $\frac{1}{8}$ under washer to bottom).....	839247	1 .38
47-54	DUBL-DUTI, COE.....	(9 $\frac{3}{8}$ under washer to bottom).....	3835337	1 .38
47-48	COMM., UTIL. (exc. D-D, COE),			
49-54	ALL (exc. DUBL-DUTI, COE).....	(15 $\frac{3}{8}$ under washer to bottom).....	3701556	1 .55
47-48	COMM., UTIL. (exc. D-D, COE),			
49-54	ALL (exc. D-D, COE).....	TUBE, oil level rod.....	3686789*	1 .17

\*NOTE: On 1947-49 COMM., UTIL., 3701556 Rod must also be used.

### 1.517 GASKET, Oil Filler Tube Cap

31-47	ALL,			
48-54	ALL (w/positive ventilation).....	(1 $\frac{3}{8}$ I.D. x 2 $\frac{3}{8}$ O.D.—cork).....	836446	1 .06

### 1.519 PIPE, Oil

NOTE: Bulk copper tubing in coils listed in group 8.964, fittings in group 8.963.

NOTE: See group 1.928 for rocker arm oil pipe and connector.

35-36	ALL.....	pump to distributor ( $\frac{1}{8}$ O.D. x 5 $\frac{1}{2}$ dev. length).....	837814	1 .18
35-36	ALL.....	w/gear type pump, oil pump discharge ( $\frac{1}{8}$ O.D. x 4 $\frac{1}{2}$ dev. length).....	604176	1 .25
37-39	ALL.....	oil pump discharge ( $\frac{1}{8}$ O.D. x 4 $\frac{3}{4}$ dev. length).....	838474	1 .27
40-52	ALL.....	oil pump discharge ( $\frac{1}{8}$ O.D. x 4 $\frac{3}{8}$ dev. length).....	839203	1 .27
53	ALL (exc. P.G.).....	distributor to rocker shaft—w/fittings ( $\frac{3}{8}$ O.D. x 25 $\frac{1}{2}$ dev. length).....	609912	1 1.09
36-49	ALL (early 1942).....	distributor to rocker shaft—w/fittings ( $\frac{3}{8}$ O.D. x 25 $\frac{1}{8}$ dev. length) (steel pipe)...	839924	1 .48
50-53	ALL w/216.....	camshaft rear brg. to rocker shaft (cut 21 $\frac{1}{2}$ —flare one end).....	217276	1 (8.964)
53	PASS. w/P.G.,			
54	ALL.....	pump discharge ( $\frac{1}{8}$ O.D. x 6 $\frac{1}{8}$ dev. length)	3701552	1 .27
53	PASS. w/P.G.,			
54	ALL.....	pump suction ( $\frac{3}{8}$ O.D. x 8 $\frac{3}{4}$ dev. length) ..	3702182	1 .30
53	ALL (exc. P.G.).....	pump suction ( $\frac{1}{2}$ O.D. x 12 $\frac{1}{8}$ dev. length)	3835854	1 .50
46	COMM., OR, OS, OW, OY, FJ, PK, PL... CLIP, distributor to rocker shaft pipe (used w/839924 on lower pipe in block).....		839913	1 .18

### PIPE, Oil Pressure Gauge (Engine to Gauge)

53	PASS. w/P.G.,			
54	PASS.....	( $\frac{1}{4}$ O.D. x 44 $\frac{1}{2}$ long).....	3704270	1 .33

NOTE: The following chart gives size and length required, to be cut from coil tubing, group 8.964.

	Pipe O.D.	Length		Pipe O.D.	Length
29-30	ALL.....	$\frac{1}{4}$ 47 $\frac{3}{8}$	41-46	COMM., UTIL. (exc. COE, D-D).....	$\frac{1}{8}$ 47 $\frac{1}{8}$
31-33	ALL.....	$\frac{1}{8}$ 53 $\frac{1}{2}$	47-52	COMM., UTIL. (exc. COE, D-D).....	$\frac{1}{8}$ 52 $\frac{1}{8}$
34-36	DA, DC, EC, FC.....	$\frac{1}{8}$ 56 $\frac{1}{8}$	39	COE (upper).....	$\frac{1}{8}$ 30 $\frac{1}{8}$
34-36	COMM., UTILITY.....	$\frac{1}{8}$ 48 $\frac{1}{8}$	39-41	COE (lower).....	$\frac{1}{8}$ 38
35-38	PASS. (exc. EC, FC).....	$\frac{1}{8}$ 59 $\frac{1}{8}$	40-46	COE (upper).....	$\frac{1}{8}$ 33
37-39	PASS.....	$\frac{1}{8}$ 49 $\frac{1}{8}$	42-46	COE (lower).....	$\frac{1}{8}$ 37 $\frac{1}{4}$
37-38	COMM., UTILITY.....	$\frac{1}{8}$ 40 $\frac{3}{8}$	47-48	COE (upper).....	$\frac{1}{8}$ 40 $\frac{1}{8}$
39	COMM., UTIL. (exc. COE).....	$\frac{1}{8}$ 44	47-48	COE (lower).....	$\frac{1}{8}$ 36 $\frac{1}{8}$
40	PASS.....	$\frac{1}{8}$ 49 $\frac{3}{4}$	49-54	COE (upper).....	$\frac{1}{8}$ 27 $\frac{1}{2}$
40	COMM., UTIL. (exc. COE).....	$\frac{1}{8}$ 46 $\frac{3}{8}$	49-54	COE (lower).....	$\frac{1}{8}$ 49
41-52	PASS.....	$\frac{1}{8}$ 51 $\frac{1}{4}$	48-54	DUBL-DUTI.....	$\frac{1}{8}$ 22 $\frac{3}{4}$
53	PASS. (exc. P.G.).....	$\frac{1}{8}$ 47 $\frac{1}{2}$	53-54	COMM., UTIL. (exc. COE, D-D).....	$\frac{1}{8}$ 49

**1.531 FITTINGS, Oil Pipe (also see groups 1.928 and 8.563)**

35-52	ALL	SLEEVE, oil distributor coupling—in block ( $\frac{3}{4}$ O.D. x 1 length)	837783	1	.02
53	ALL (exc. P.G.)	SLEEVE, oil pressure gauge pipe, w/ $\frac{5}{16}$ —24 thds. ( $1\frac{1}{2}$ O.L.) (with $\frac{1}{4}$ pipe)	3707140	2	.10
53-54	PASS.	PLUG, oil press. pipe—in block ( $1\frac{1}{2}$ O.D.—cup shape)	836754	2	.02
32-35	ALL	PLUG, oil press. pipe—in block ( $1\frac{1}{2}$ O.D.—cup shape)	836754	2	.02
36-54	ALL	PLUG, oil press. pipe—in block ( $1\frac{1}{2}$ O.D.—cup shape)	3835577	A.R.	.01
42-49	ALL	NIPPLE, oil distributor to rocker pipe—in block ( $\frac{1}{8}$ pipe and $\frac{3}{8}$ —24 thds.—ball sleeve type)	836823	1	.26
50-53	ALL w/216	NIPPLE, oil distributor to rocker pipe—in block, tappet oil gallery to rocker pipe—front and rear ( $\frac{1}{8}$ taper pipe and $\frac{3}{8}$ —24 thds.—flared tube type) (w/steel pipe)	839926	1	.26
42-46	ALL (late 42—early 46)	NIPPLE, oil distributor to rocker pipe—in L. side of block ( $\frac{1}{4}$ taper pipe ext.— $\frac{3}{8}$ —24 int. thds.)	836049	1	.20
50-53	ALL w/235	CONNECTOR, delivery pipe to crankcase, delivery pipe to oil pump ( $\frac{1}{4}$ —18 x $\frac{5}{8}$ —24)	3835489	A.R.	.12
54	ALL	GROMMET, pump suction pipe (molded 68)	3835868	1	.12
36-49	ALL	GROMMET, pump suction pipe (molded 71)	3835871	1	.10

**1.652 REPLACEMENT UNIT—PUMP ASSEMBLY, OIL**

29	ALL	( $7\frac{3}{8}$ length overall)	604506*	1	8.53
30-34	ALL (exc. CA, CB, O, DA, DB, P)	( $7\frac{1}{2}$ length overall)	604507*	1	8.53
33-34	ALL (exc. CC, DC)	( $7\frac{1}{2}$ length overall)	604508*	1	8.53
35	ALL	( $7\frac{1}{2}$ length overall—shaft end flat)	604509*	1	8.53
36	ALL	( $7\frac{1}{2}$ length overall—shaft end sltd.)	604510*	1	8.53
37-39	ALL	PUMP ASSY. (body cast 838442)	838440†	1	7.84
40-52	ALL	PUMP ASSY. (body cast 839159)	839157†	1	7.84
53	ALL (exc. P.G.)	PUMP ASSY. (body, 3702365—3701562 cast on cover)	3702363†	1	9.65

\*NOTE: Gear type units w/screen, cover, delivery pipe, suction pipe, nipple and nut.

†NOTE: Pumps only, do not include screen or cover, etc.

**1.556 SCREEN, Oil Pump**

29-36	ALL (w/vane type pump)	( $2\frac{3}{4}$ O.D.—use w/hex. pipe)	837203	1	.67
29-39	ALL (w/gear type pump)	(oval $5\frac{3}{8}$ x $2\frac{5}{8}$ overall)	838803	1	.67
40-54	ALL	(oval 5 x $2\frac{5}{8}$ overall)	839184	1	.67

**1.662 COVER, Oil Pump Suction Screen**

29-39	ALL (w/gear type pump)	(oval—less pipe)	838458	1	.33
40-52	ALL	(oval—w/lower pipe)	839241	1	.55
53-54	ALL	(oval—less pipe, $5\frac{1}{8}$ O.L.)	3702181	1	.45

**1.664 SUPPORT—BOLT—GASKET—SPACER, Oil Pump Screen Cover**

40-52	ALL	SUPPORT, w/upper pipe	3835365*	1	1.73
40-52	ALL	BOLT, support ( $\frac{3}{8}$ —24 x $\frac{1}{8}$ )	839228	1	.06
40-54	ALL	BOLT, w/lockwasher ( $\frac{1}{4}$ —20 x $\frac{3}{16}$ )	839301	2	(1.428)
40-52	ALL	GASKET, support	839221	1	.01
40-52	ALL	GASKET (1 in. I.D.)	839226	1	.06
53-54	ALL	SPACER ( $\frac{3}{8}$ I.D. x $\frac{3}{4}$ O.D. x $1\frac{7}{8}$ O.L.)	3701563	1	.25
40-52	ALL	REINFORCEMENT	839634	1	.06
40-52	ALL	LOCKWASHER, bolt ( $\frac{3}{8}$ I.D.)	838819	1	(0.609)

\*NOTE: On models prior to 1947 it may be necessary topeen tray edge for upr. pipe clearance.

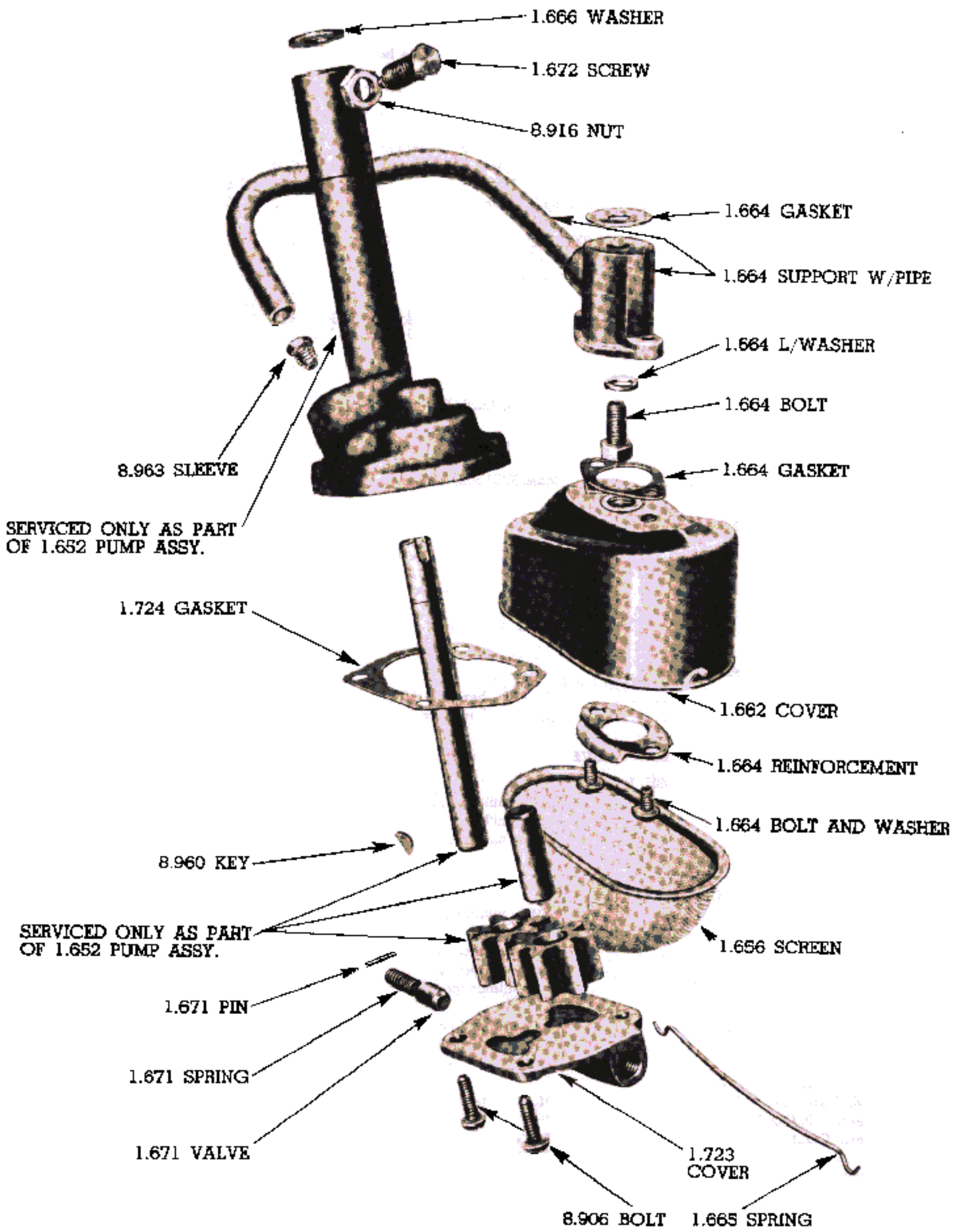
**1.665 SPRING, Oil Pump Suction Screen Retaining**

29-39	ALL (w/gear type pump)	(rod— $6\frac{1}{8}$ length)	838487	1	.06
40-54	ALL	(rod— $5\frac{1}{2}$ length)	839156	1	.07

**1.666 WASHER, Oil Pump Thrust**

37-54	ALL	( $\frac{1}{2}$ I.D. x $\frac{1}{8}$ O.D.)	838472	1	.02
-------	-----	--	--------	---	-----





**1940-52 OIL PUMP—EXPLODED VIEW**

### 1.671 SPRING—BALL—VALVE—PIN, Oil Pump Relief

29-52	ALL (w/gear type pump),				
53	ALL (exc. P.G.)	SPRING ( $\frac{3}{16}$ O.D. x $1\frac{1}{16}$ free length)	838449	1	.06
53	PASS. w/P.G.,				
54	ALL	SPRING, valve ( $\frac{5}{16}$ O.D. x $2\frac{1}{4}$ O.L.)	3702367	1	.06
29-39	ALL (w/gear type pump)	BALL, valve ( $\frac{3}{8}$ dia.—steel)	147489	1	(8.899)
40-52	ALL,				
53	ALL (exc. P.G.)	VALVE ( $1\frac{1}{16}$ O.D. x $\frac{3}{16}$ length)	839278	1	.06
53	PASS. w/P.G.	VALVE, pressure regulator ( $1\frac{1}{16}$ I.D. x $\frac{1}{16}$ O.D. x $1\frac{3}{16}$ O.L.)	3702366	1	.35
54	ALL				
29-53	ALL (w/gear type pump)	PIN, spring retainer ( $\frac{3}{32}$ x $\frac{3}{4}$ )	103677	1	(6.939)
53	PASS. w/P.G.,				
54	ALL	RETAINER, valve spring ( $\frac{3}{16}$ O.D.)	3701564	1	.02

### 1.672 SCREW, Oil Pump Retaining Set

29-36	ALL (gear type only on 1936)	( $\frac{3}{16}$ —18 x $1\frac{1}{16}$ overall— $\frac{5}{16}$ dia. point)	835645	1	.13
37-54	ALL	( $\frac{1}{16}$ —14 x $1\frac{3}{8}$ overall—hex. hd.)	838172	1	.13

### 1.723 COVER, Oil Pump

37-39	ALL	w/valve (cast 838448)	838447	1	.98
40-52	ALL,				
53	ALL (exc. P.G.)	w/valve (cast 839277)	839276	1	.88
53	PASS. w/P.G.,				
54	ALL	(cast 3701562)	3701562	1	.45

### 1.724 GASKET, Oil Pump Cover

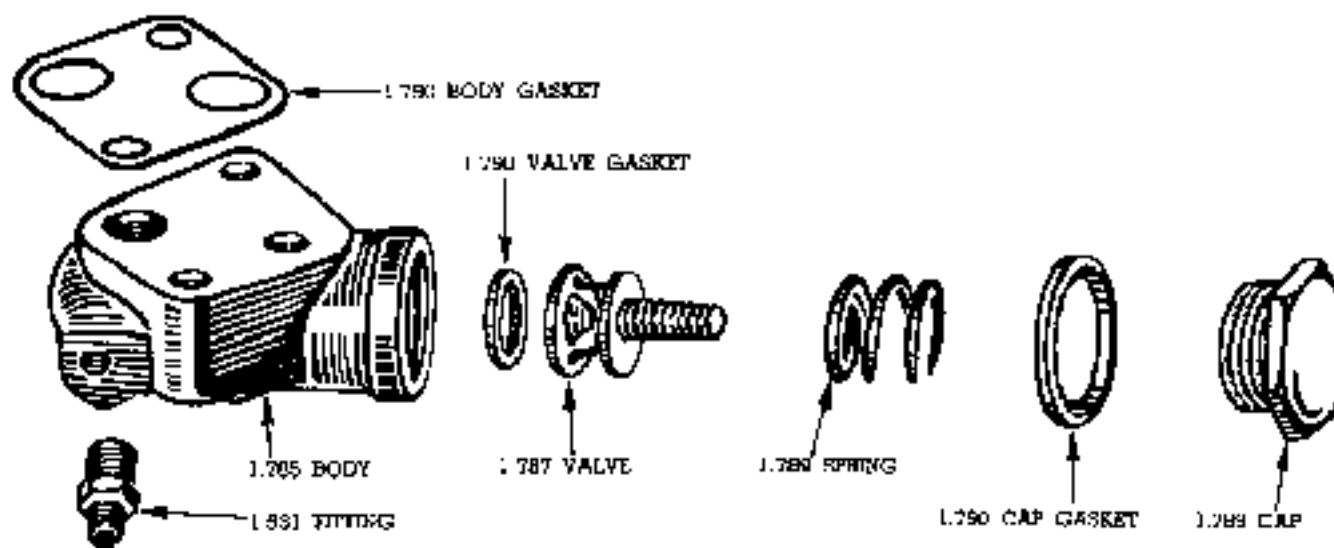
29-39	ALL (w/gear type pump),				
53	PASS. w/P.G.,				
54	ALL	( $3\frac{5}{8}$ x $2\frac{5}{16}$ overall)	838451	1	.04
40-52	ALL,				
53	ALL (exc. P.G.)	( $3\frac{5}{8}$ x $2\frac{3}{4}$ overall)	839166	1	.03

### 1.739 PIPE, Oil Pump Suction

29-36	ALL (w/gear type pump)	( $\frac{3}{16}$ —18—hex. $\frac{7}{8}$ x $1\frac{19}{32}$ )	604159	1	.18
37-39	ALL	( $\frac{3}{16}$ —18—hex. $\frac{7}{8}$ x $1\frac{1}{8}$ )	838452	1	.33

### 1.745 FILLER—VENTILATOR—VALVE—CAP, Crankcase Oil

33-36	(w/generator 931, M, N, R, S—933H, J—975 U)	with ventilator	377193	1	2.88
37-39	PASS.	with ventilator	838360	1	1.88
37-46	COMM., UTIL.	with ventilator	839026	1	1.88
40-48	PASS.,				
47-48	COMM., COE (exc. FR, FS, D-D),				
48-49	COMM., UTIL. (exc. D-D, COE, SBC),				
49-54	COE (exc. 261)	with ventilator (cap type)	3697142	1	2.32
47	QJ, QK, QV, QW	with ventilator	3686467	1	2.98
47	QL, QX	with ventilator	3685868	1	3.87
48-54	SBC (exc. 261)	with ventilator	3686875	1	3.87
48-51	DUBL-DUTI	w/ventilator (positive ventilation)	3687568	1	2.98
49-53	ALL (exc. D-D, COE),				
52-53	DUBL-DUTI	w/ventilator (positive ventilation)	3695346	1	2.85
49-54	COE	w/ventilator (positive ventilation)	3696773	1	2.32
49	PASS.,				
50-51	ALL (exc. D-D, COE, SBC),				
52-54	COMM., UTIL. (exc. D-D, COE, SBC)	VENTILATOR (sealed)	3701347	1	2.32
52-53	ALL (exc. D-D, COE),				
54	ALL (exc. COE)	VENTILATOR (positive ventilation)	3699844	1	3.00
52-54	PASS.	VENTILATOR (sealed)	3701348	1	2.32
49-53	ALL (exc. DUBL-DUTI, COE)	VENTILATOR UNIT (positive ventilation)	3693661*	1	11.06
49-53	COE	VENTILATOR UNIT (positive ventilation)	3696736*	1	10.75
54	ALL (exc. D-D, COE)	VENTILATOR UNIT (positive ventilation)	3708163*	1	13.50
54	COE	VENTILATOR UNIT (positive ventilation)	3708183*	1	14.25
48-51	DUBL-DUTI	VALVE, crankcase ventilator	1543979	1	2.79
48-51	DUBL-DUTI	PIPE, ventilator to valve (29 devel. length)	3687869	1	1.10
52-54	DUBL-DUTI	PIPE, ventilator to valve (24 devel. length)	3696938	1	.93



## OIL DISTRIBUTOR

31-54*	ALL (exc. crimp vent. cover).....	CAP, ventilator.....	836450	1	(1.516)
48-51	DUBL-DUTI.....	TEE, ventilator to valve pipe.....	3688014	1	.70

\*NOTE: Contains parts and instructions for complete installation.

### 1.750 CLAMP—BAFFLE, Crankcase Ventilator Tube

37-46	COMM., UTILITY.....	(4 $\frac{1}{8}$ length overall—bolt end bent).....	838188	1	.13
40-46	PASS.,				
47-51	ALL (exc. D-D),				
52-54	SBC (exc. 261).....	(4 $\frac{1}{8}$ length overall—bolt end straight)...	839291	1	.13
52	PASS.,				
53	SDL.....	outer tube.....	3696929	1	.13
52	COMM., UTIL. (exc. D-D, SBC),				
53	COMM., 1 $\frac{1}{2}$ TON (exc. D-D, SBC).....	tube.....	3696925	1	.13
53	PASS. (exc. SDL),				
54	PASS.....	outer tube.....	3701349	1	.13
53	UTIL. w/235 (exc. SBC),				
54	COMM., UTIL. (exc. D-D, SBC, 261).....	outer tube.....	3701346	1	.13
37-52	ALL.....	BAFFLE.....	3835466	1	.13
53-54	ALL.....	BAFFLE.....	3702766	1	.13

### 1.785 BODY, Oil Distributor

37-39	ALL.....	(cast 838963).....	838963	1	2.15
37-39	ALL.....	WASHER (hex. 1 $\frac{1}{16}$ x $\frac{1}{8}$ I.D.).....	836820	1	(0.373)

### 1.786 COVER, Oil Distributor

40-52	ALL,				
53	ALL (exc. P.G.).....	(on cyl. block).....	839427	1	.18

### 1.787 VALVE, Oil Distributor

29-34	ALL.....	(valve seat flange 1 $\frac{1}{16}$ O.D.).....	836251	1	.43
35-39	ALL.....	(valve seat flange 1 $\frac{5}{16}$ O.D.).....	838916	1	.43
40-52	ALL,				
53	ALL (exc. P.G.).....	(2 $\frac{1}{16}$ length overall).....	839170	1	.43

### 1.789 CAP—SPRING, Oil Distributor Valve

35-39	ALL.....	CAP (1—20 thd. x $\frac{3}{8}$ length overall).....	837634	1	.43
35-39	ALL.....	SPRING ( $\frac{1}{8}$ O.D. x $\frac{3}{4}$ free length).....	837636	1	.02

### 1.790 GASKET, Oil Distributor

35-39	ALL.....	valve ( $\frac{3}{4}$ I.D. x 1 $\frac{5}{16}$ O.D.—cork and paper).....	837637	1	.05
40-52	ALL.....	valve seat (has 6 holes—rubber and as-			
53	ALL (exc. P.G.).....	bestos).....	839173	1	.09



35-39	ALL.....	cap (1 I.D. x 1 3/8 O.D.—copper and asbestos).....	837635	1	.06
40-52	ALL.....	cover (has 3 attach. holes—rubber and asbestos).....	839174	1	.09
53	ALL (exc. P.G.).....	body (has one each 1 1/2 and 3/8 and 1 1/2 and 1 1/2 holes—cork and paper).....	837953	1	.06
29-36	ALL.....	body (has two each 1 1/2 and 1 1/2 holes—cork and paper).....	838398	1	.05

**1.803 GAUGE, Oil Pressure (see groups 1.519 and 1.531 for pipe and fittings)**

33-35	ALL (exc. DA, EA, EC, ED).....		858947	1	2.75
36	FA, FD,				
37-39	COMM., UTIL. (exc. COE),				
40-46	FLAT FACE COWL.....		1505443	1	2.95
36	FC.....		1808442	1	2.75
37-38	GB, HB (exc. CONV.).....		1505766	1	2.75
39	PASS.....	(light dial w/red pointer).....	1505927	1	2.95
40-46	ALL (exc. WC, AG, AH, YT, BG, BH, MT, MY, OY, DJ, DK).....	(dark brown trim).....	1506373	1	3.76
37-38	GA, GB, HA, HB (CONV. only GB, HB),				
41	PASS.....		1506181	1	2.95
42-48	PASS.....		1507099	1	3.76
47-48	COMM., UTILITY.....		1507088	1	3.76
49-50	PASS.....		1506999	1	3.76
49-53	COMM., UTIL.....		1507401	1	3.76
50	PASS.....		1508083⊕	1	2.95
51-52	PASS.....		1507487	1	3.76
51-52	PASS.....		1508084⊕	1	2.95
53	PASS. (exc. P.G.).....		1507701	1	3.76
53	PASS. w/P.G.,				
54	PASS.....		1507960	1	3.76
54	COMM., UTIL. (exc. FFC).....		1508014	1	2.40
54	FLAT FACE COWL.....		1507963	1	2.76

⊕NOTE: 60 lb. pressure gauge. Used when 1953 force-feed engine has been installed.

**1.836 FILTER, Oil (see groups 1.531 and 8.963 for fittings, 3.163 for flexible pipes)**

40-54	ALL (exc. D-D, COE).....	UNIT (for complete installation) (AC-SC-653) ..	5573017*	1	10.00
40-54	ALL (exc. DUBL-DUTI, COE).....	ELEMENT, replacement (small) (AC-P-115) ..	5572288 *⊕	1	2.05
36-54	ALL.....	ELEMENT, replacement (large) (AC-P-117) ..	5572425**	1	2.93

⊕NOTE: 5572288 element used with Type S-6-SC-649, SC-650, and SC-653 AC oil filters.

\*NOTE: 5572425 element used with Type S2 AC oil filters.

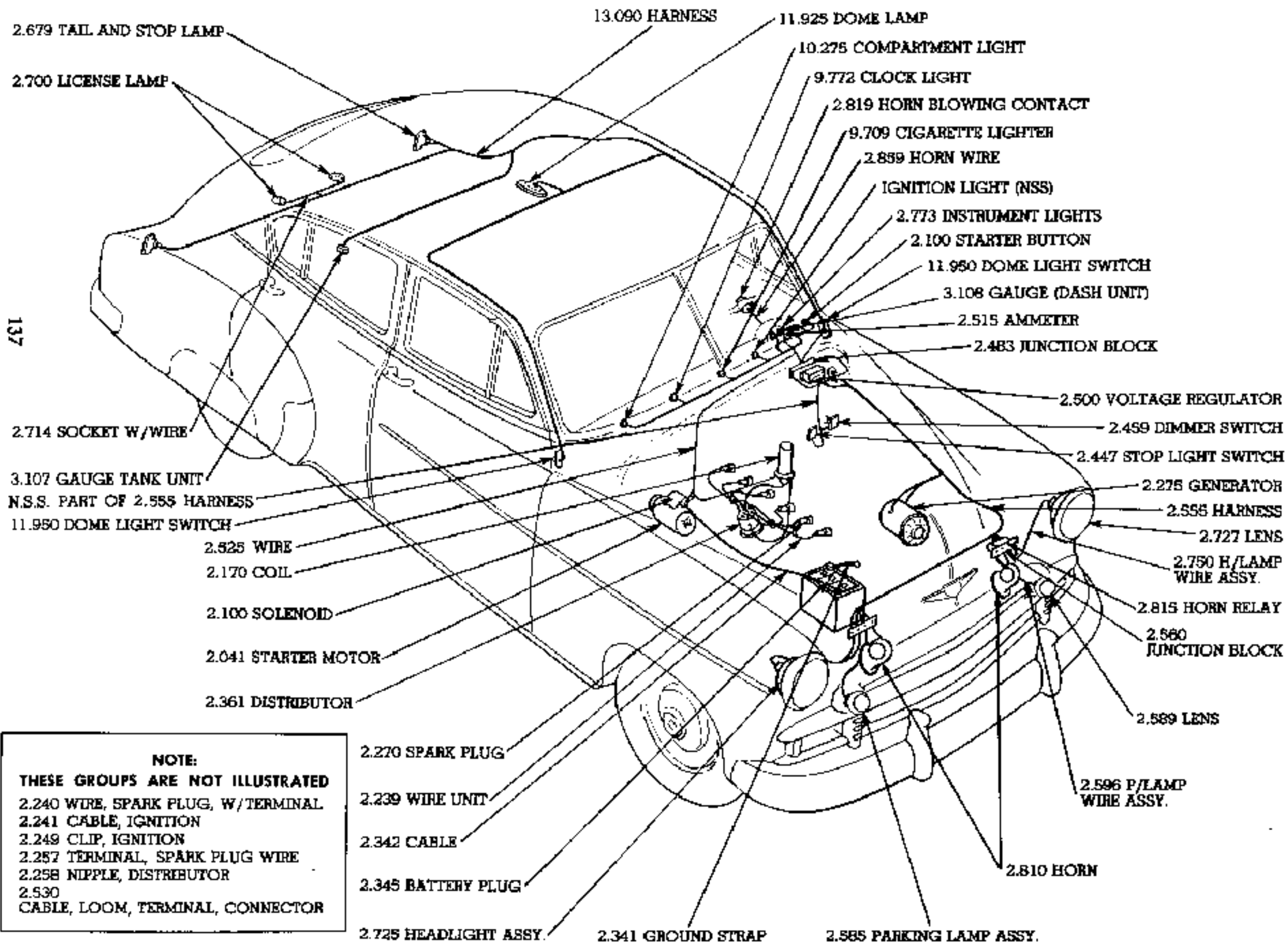
\*\*NOTE: The prices shown are subject to the provisions of the Fair Trade Acts of those States having such laws.

**1.899 ELBOW, Oil Filter Fitting**

40-54	ALL.....	outlet flexible pipe.....	853523	A.R.	.20
-------	----------	---------------------------	--------	------	-----

**1.928 FITTINGS, Valve Rocker Arm Shaft Oil**

33-36	ALL.....	CONNECTOR, w/pipe.....	836867	1	1.17
37-39	ALL.....	CONNECTOR, w/pipe.....	838217	1	1.17
40-52	ALL,				
53	ALL w/216.....	CONNECTOR, w/pipe, ctr. pin and clip.....	3835528	1	1.17
53	ALL w/235 (exc. P.G.).....	CONNECTOR, w/pipe and center pin.....	3701304	1	1.08
53	PASS. w/P.G.,				
54	ALL.....	CONNECTOR, w/pipe (no center pin).....	3702458	1	1.17
40-52	ALL,				
53	ALL w/216.....	CLIP (baffle) (part of 3835528).....	839280	1	.05
29-36	ALL.....	SPRING (1/2 I.D. x 1 1/8 free length).....	835715	1	.06
37-39	ALL.....	SPRING (1/2 O.D. x 1 1/8 free length).....	838221	1	.03
33-36	ALL.....	SLEEVE (1 1/2 I.D. one end—1/8 I.D. one end) ..	836875	1	.17
37-39	ALL.....	SLEEVE (1/2 I.D. one end—1/8 I.D. one end) ..	838220	1	.17
40-54	ALL.....	WASHER (1 1/8 I.D. x 1 1/8 O.D.).....	839270	2	.03



**NOTE:**

THESE GROUPS ARE NOT ILLUSTRATED

2.240 WIRE, SPARK PLUG, W/TERMINAL

2.241 CABLE, IGNITION

2.249 CLIP, IGNITION

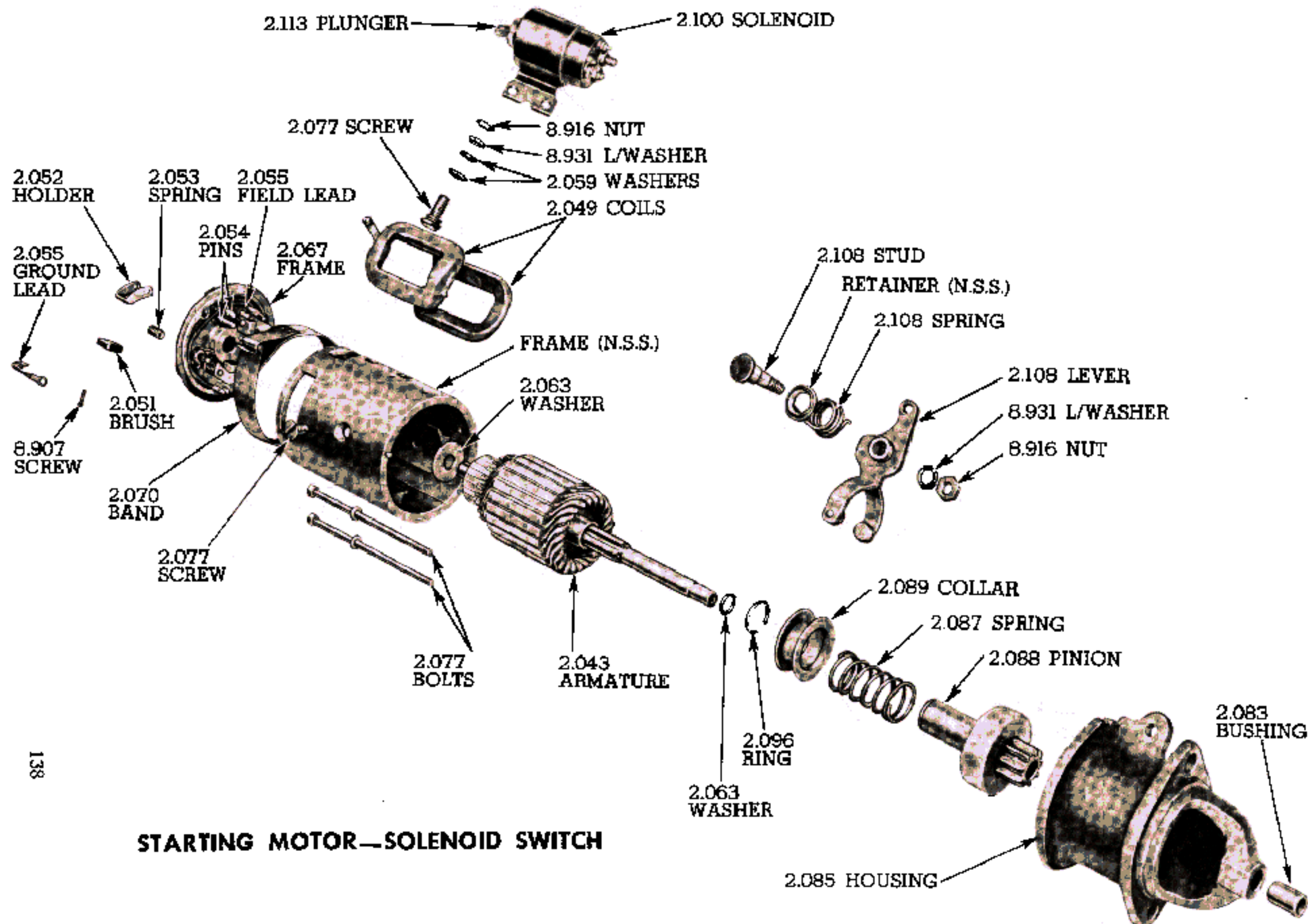
2.257 TERMINAL, SPARK PLUG WIRE

2.258 NIPPLE, DISTRIBUTOR

2.530

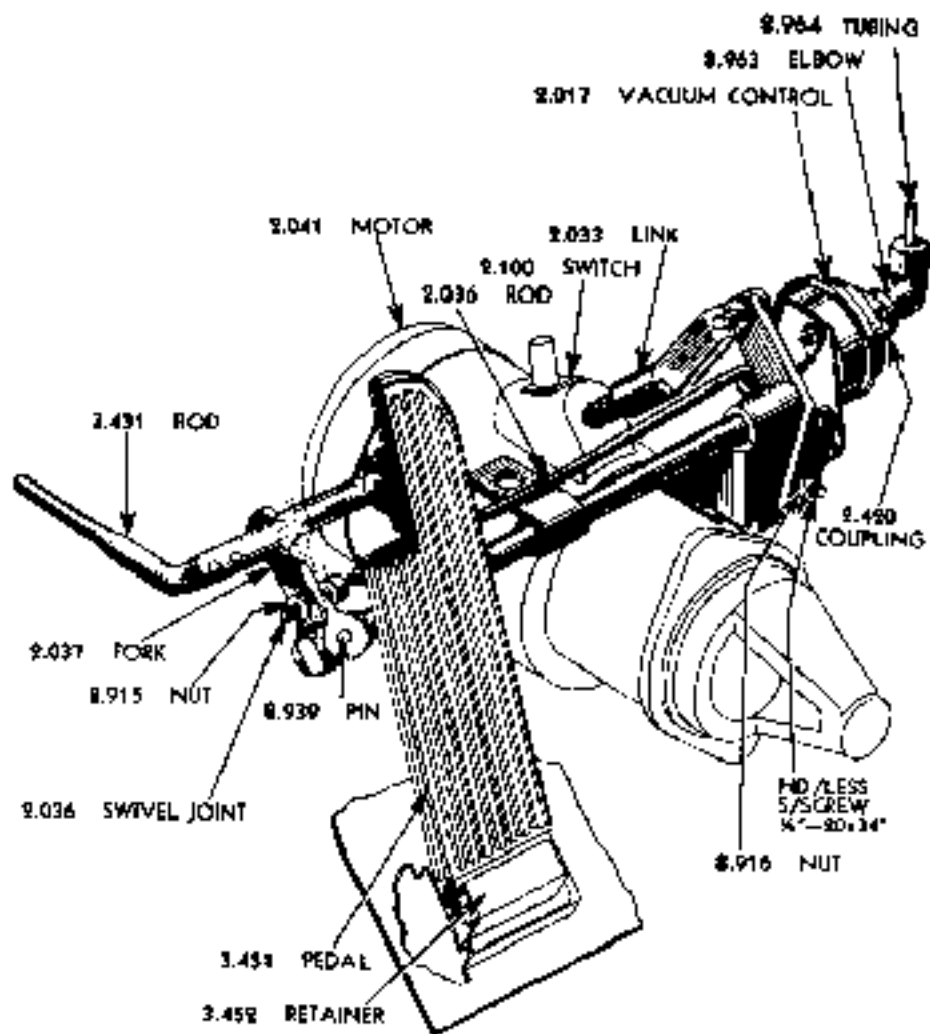
CABLE, LOOM, TERMINAL, CONNECTOR

**ELECTRICAL SYSTEM**

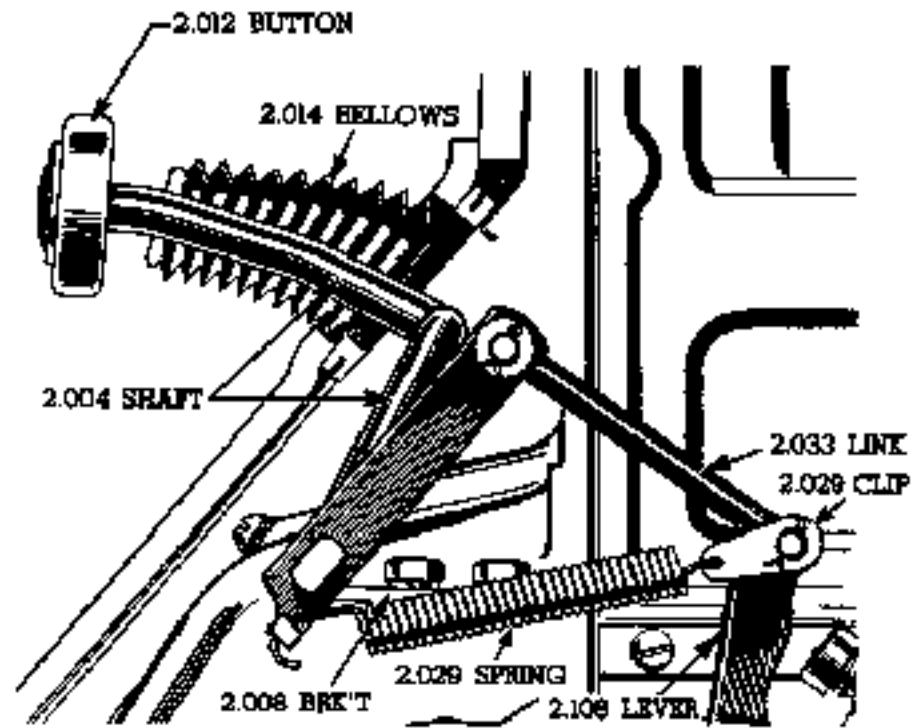


**STARTING MOTOR—SOLENOID SWITCH**

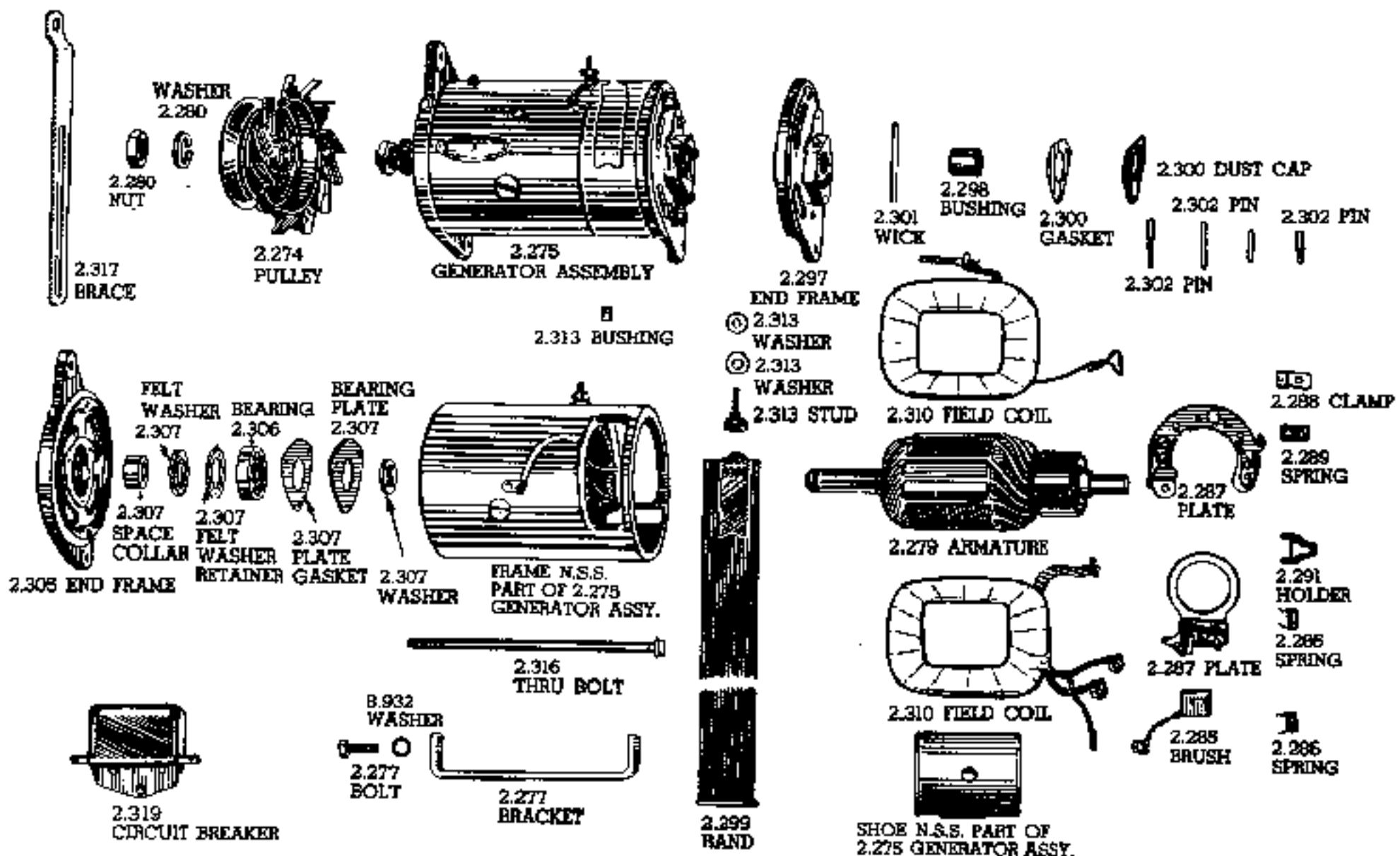




**STARTERATOR**



**MECHANICAL SHIFT STARTER LINKAGE**



**GENERATOR**

## SPECIAL GENERATOR EQUIPMENT OUTPUT CHARACTERISTICS

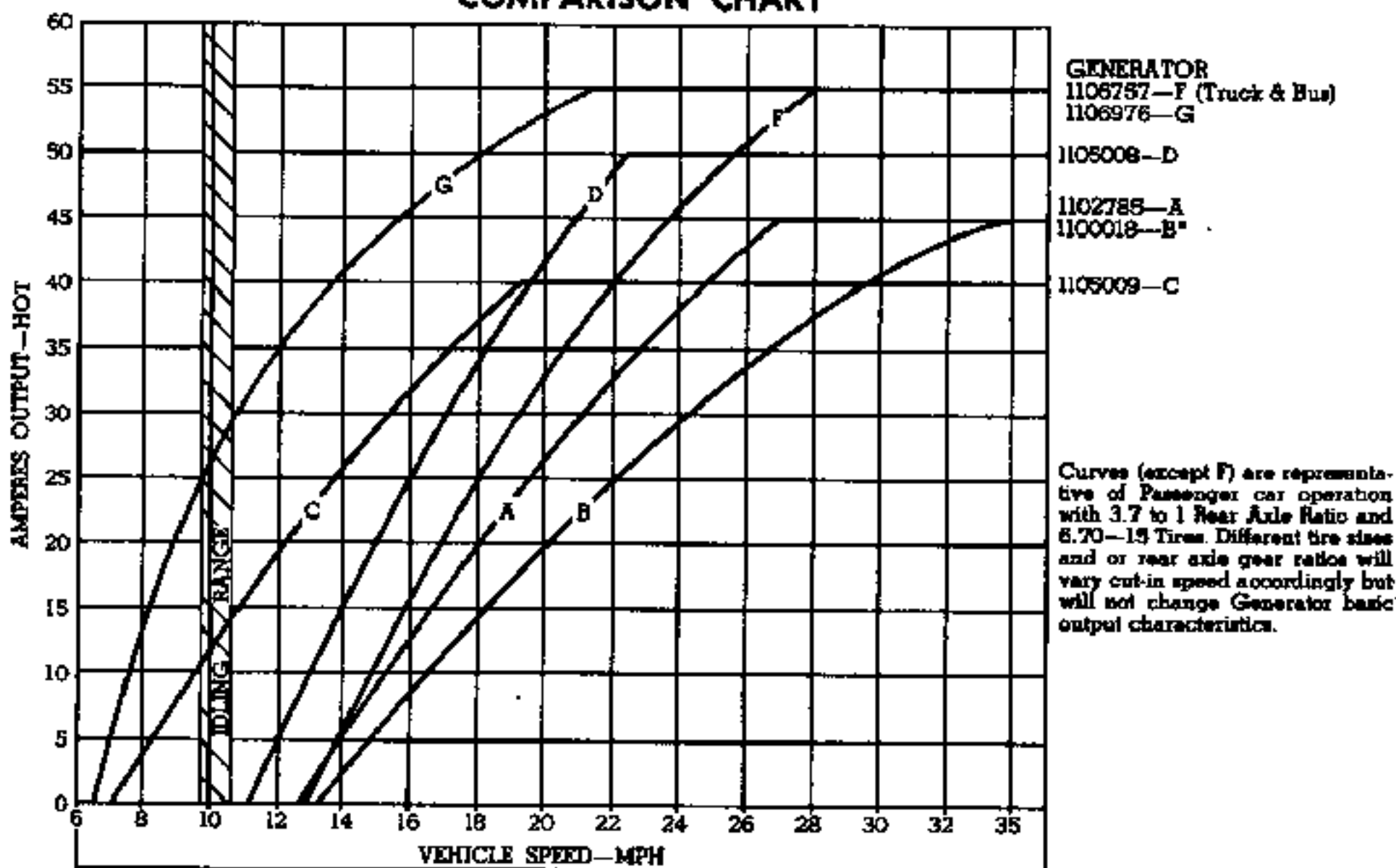
Curve	Generator Features	Typical Usages	Generator Assembly§	Regulator Assembly	Other Spec. Details
1 (A)	High Speed 45 Amp. Med. cut-in	Pass., Taxi and Truck— NO 2-way radio	1102785	1118725	Pulley 1925515 Fan 1866400 and Bracket 3704771 req'd w/Narrow Fan Belt Pass. Comm. Usage
2 (C)	Slow Speed H.D. 40 Amp. Low cut-in	Metro. Police, Taxi Mail, Telephone and Truck w/2-way radio and other special elect. equipt.	1105009	1118721	
3 (D)	High Speed H.D. 50 Amp. Med. cut-in	State Police, Interurban Truck, Bus and Taxi W/2-way radio	1105008	1118722	H.D. Wiring■
4 (F)	Low RPM, Extra H.D. 55 Amp. Med. cut-in	Over the highway Truck & Bus and Severe Oper. conditions	1106757#§	1118390	Mtg. Kit 3694131 Belt 3693105 Pulley§ H.D. Wiring■
5 (G)	Med. Speed H.D. 55 Amp. Low cut-in	Metro. Police, Taxi, etc. W/2-way Radio plus other Heavy Elect. Requirements	1106976	1118942	H.D. Wiring■ Same Pulley, Fan & Bracket as A&C

■ Supplement Wire from Generator to Battery through Regulator to carry additional output.

§ See group 2.274 for pulley usage.

#Part 1924340 includes pulley.

### COMPARISON CHART



\*Production generator curve included for comparison purposes

# CHEVROLET MASTER PARTS CATALOG

YEAR	MODEL	PART NAME	PART NO.	NO. USED	LIST PRICE
<b>2.004 SHAFT, Starter Pedal (also see group 2.036)</b>					
38-40	ALL (exc. KA, KB, KH, COE)	w/brkts.—less button	598211	1	1.35
39-54	COE	w/brkts.	3651232	1	1.35
40	PASS.	w/brkts.—less button	3654139	1	1.35
41-48	PASS.	w/brkts.—less button	3658495	1	1.35
41-46	COMM., UTIL. (exc. COE)	w/brkts.—less button	3656987	1	1.35
47-54	COMM., UTIL. (exc. D-D, COE, A.T.)	w/brkts.	3685136	1	1.35
<b>2.008 BRACKET, Starter Pedal</b>					
38-39	ALL				
40-54	COMM., UTIL. (exc. D-D, A.T.)	(2 $\frac{7}{8}$ length overall—2 attach. holes)	597370	2	.13
40-48	PASS.	(2 $\frac{5}{8}$ length overall—2 attach. holes)	3654140	2	.13
<b>2.012 BUTTON, Starter Pedal</b>					
29-48	ALL (exc. COE)				
49-53	COMM., UTIL. (exc. COE)	(rubber—slip fit— $\frac{5}{16}$ hole x 2 O.D.)	3654134	1	.35
39-53	COE				
54	COMM., UTIL. (exc. D-D, A.T.)	(steel—1 $\frac{3}{4}$ O.D.)	597505	1	.22
<b>2.014 BELLOWS—GUIDE, Starter Pedal Floor Board</b>					
36-37	FC, GB	BELLOWS (1 $\frac{3}{4}$ x 2 $\frac{1}{4}$ —1 $\frac{1}{2}$ high)	477309	1	.44
38-48	ALL (exc. D-D, COE)				
49-54	COMM., UTIL. (exc. D-D, COE, A.T.)	BELLOWS	597434	1	.44
39-54	COE	GUIDE (1 $\frac{1}{8}$ x 1 $\frac{1}{8}$ —steel)	3685985	1	.18
<b>2.017 CONTROL, Starter Vacuum</b>					
33-37	CA, DA, EA, ED, FA, FD, GA	(stamped 1848515)	1848515	1	2.07
33-37	CA, DA, EA, ED, FA, FD, GA	TEE, manifold pipe (3 way—thread on two outlets only)	593111	1	(10.154)
33-37	CA, DA, EA, ED, FA, FD, GA	GASKET, coupling ( $\frac{5}{8}$ I.D. x $\frac{1}{8}$ O.D.)	1841901	1	(2.421)
NOTE: See group 8.964 for coils $\frac{1}{8}$ and $\frac{1}{4}$ O.D. tubing and group 8.963 for pipe fittings.					
<b>2.029 SPRING, Starter Pedal Shaft and Link</b>					
29-37	ALL	pedal link anti-rattle ( $\frac{3}{8}$ free length— $\frac{3}{8}$ O.D.—compression type)	371673	1	.06
33-37	CA, DA, EA, ED, FA, FD, G, S	pedal link retainer (for $\frac{5}{16}$ rod)	371671	1	.02
38-48	ALL (exc. D-D)	pedal link anti-rattle ( $\frac{1}{2}$ free length— $\frac{1}{16}$ O.D.—compression type)	371704	1	(4.796)
49-54	COMM., UTIL. (exc. DUBL-DUTI, A.T.)				
38-48	ALL (exc. DUBL-DUTI)	pedal lever pull back (3 $\frac{1}{4}$ free length— $\frac{5}{16}$ O.D.—tension type)	3654152	1	.17
49-54	COMM., UTIL. (exc. D-D)				
38-48	ALL (exc. DUBL-DUTI, COE)				
49-54	COMM., UTIL. (exc. D-D, COE, A.T.)	shaft anti-rattle	597417	1	.03
47-53	COE	shaft anti-rattle (6 length—50 coils)	3653114	1	(0.844)
38-48	ALL				
49-54	COMM., UTIL. (exc. D-D, A.T.)	CLIP (one $\frac{5}{16}$ , one $\frac{1}{8}$ hole—1 $\frac{3}{8}$ length)	598070	1	.02
<b>2.033 LINK, Starter Pedal</b>					
38-48	ALL (exc. DUBL-DUTI)				
49-54	COMM., UTIL. (exc. D-D)		597792	1	.13



**2.036 ROD—JOINT, Starter (also see group 2.004)**

47-54	COMM., UTIL. (exc. D-D, COE, A.T.)	ROD, pedal push	3685128	1	.27
47-54	COE	ROD, pedal push	3685983	1	.38
33-37	CA, DA, EA, ED, FA, FD, GA	JOINT, swivel (No. 12—24 int. and ext. x 2 $\frac{5}{16}$ length overall)	371219	1	.33

**2.041 MOTOR ASSY., Starter**

38-48	ALL (exc. FI, FU)				
49-54	COMM., UTILITY (exc. A. T., D-D)	(part No. on n/plate) (w/switch)	1107108	1	36.41
48	DUBL-DUTI	(w/solenoid switch) (part No. on n/plate)	1107076	1	57.65
49-54	PASS., DUBL-DUTI	(less switch) (1107075 on n/plate)	1913369	1	36.41

**2.043 ARMATURE, Starting Motor**

**EXCHANGE ITEM**

29-34	ALL (exc. DA, DB, P)	(12 $\frac{3}{4}$ length overall)	818002*	1	11.32
34-37	ALL (exc. DC)	(13 length overall)	1847432*	1	12.34
38-54	ALL	(11 $\frac{27}{64}$ length overall)	1917855*	1	11.32

\*Exchange Price Shown. Add \$1.00 to prices if used Chevrolet Armature is not exchanged.

**2.049 COIL, Starting Motor Field**

29-48	ALL				
49-54	COMM., UTIL. (exc. DUBL-DUTI)	L	1921608	1	2.32
29-48	ALL				
49-54	COMM., UTIL. (exc. DUBL-DUTI)	R	1921607	1	2.32
48-54	PASS., DUBL-DUTI (exc. FI, FK)	L	1921196	1	2.32
48-54	PASS., DUBL-DUTI (exc. FI, FK)	R	1921195	1	2.32

**2.051 BRUSH, Starting Motor**

29-54	ALL	(stamped 3000)	811553	4	.21
-------	-----	----------------	--------	---	-----

**2.052 HOLDER, Starting Motor Brush**

29-54	ALL		810226	4	.26
-------	-----	--	--------	---	-----

**2.053 SPRING, Starting Motor Brush**

29-54	ALL	( $\frac{3}{16}$ I.D. x $\frac{5}{8}$ free length)	813521	4	.07
-------	-----	--	--------	---	-----

**2.054 PIN, Starting Motor End Frame**

29-54	ALL	brush holder hinge (no insul. — $\frac{3}{16}$ x $1\frac{1}{16}$ ), drive end dowel (cut and use $\frac{3}{16}$ )	817313	A.R.	.05
29-54	ALL	brush holder hinge (w/insulation) ( $\frac{3}{16}$ dia. x $1\frac{1}{16}$ length)	812016	2	.14
29-54	ALL	brush holder stop (no insulation) ( $\frac{3}{16}$ dia. x $1\frac{1}{16}$ length)	817314	2	.06
29-54	ALL	brush holder stop (w/insulation) ( $\frac{3}{16}$ dia. x $1\frac{1}{16}$ length)	812015	2	.14
29-54	ALL	commutator end dowel ( $\frac{1}{8}$ x $1\frac{1}{16}$ )	809062	1	(2.302)

**2.055 LEAD, Starting Motor Brush**

29-54	ALL	ground (2 terminals—2 $\frac{1}{8}$ length)	813554	2	.21
29-54	ALL	field (4 terminals)	819362	1	.32

**2.059 WASHER, Starting Motor Terminal**

29-48	ALL (exc. DUBL-DUTI)	switch terminal screw (steel— $\frac{3}{8}$ I.D. x $1\frac{1}{16}$ O.D.)	812622	2	.05
49-54	COMM., UTIL. (exc. D-D)				
29-54	ALL	switch terminal screw insul. (fibre— $\frac{3}{8}$ I.D. x $\frac{3}{4}$ O.D.)	1861076	2	.05
29-54	ALL	switch terminal screw insul. bushing (fibre $\frac{3}{8}$ I.D. x $\frac{9}{16}$ O.D. x $\frac{1}{16}$ )	1904669	2	.05

**2.063 WASHER, Starting Motor Thrust**

34-37	ALL (exc. DC)	drive end (steel— $\frac{3}{16}$ I.D. x $\frac{3}{4}$ O.D. x $\frac{1}{16}$ )	1853917	1	.05
29-37	ALL	comm. end (steel— $\frac{3}{16}$ I.D. x 1 O.D. x $\frac{1}{16}$ )	833802	1	.05
38-54	ALL	drive end (steel— $\frac{1}{2}$ I.D. x $\frac{3}{4}$ O.D. x $\frac{1}{16}$ )	1838568	1	.05
38-54	ALL	comm. end (leather— $\frac{9}{16}$ I.D. x $1\frac{1}{16}$ O.D. x $\frac{1}{8}$ )	818265	1	.05

**2.067 FRAME, Starting Motor Commutator End, with Pins**

29-54	ALL	(has 6 grooved and 2 plain pins)	1907038	1	2.80
-------	-----	----------------------------------	---------	---	------

**2.070 BAND, Starting Motor Commutator Cover**

29-54	ALL	( $4\frac{1}{8}$ dia. closed x $1\frac{1}{4}$ wide)	817114	1	.45
-------	-----	---	--------	---	-----

**2.077 SCREW—BOLT—STUD, Starting Motor**

41-54	ALL	SCREW, pole shoe ( $\frac{3}{8}$ —24 x $2\frac{1}{4}$ overall)	1881869	4	.04
29-48	ALL (exc. DUBL-DUTI)				
49-54	COMM., UTIL. (exc. D-D)	SCREW, field terminal ( $\frac{3}{8}$ —16 x $2\frac{3}{8}$ )	821524	1	.19
48	DUBL-DUTI				
49-54	PASS., DUBL-DUTI	SCREW, terminal ( $\frac{3}{8}$ —16 x $1\frac{1}{4}$ overall)	1848837	1	.19
29-54	ALL	BOLT, thru ( $\frac{1}{4}$ —20 x $6\frac{5}{16}$ )	809053	2	.20
38-54	ALL	BOLT, to clutch hsg. ( $\frac{1}{2}$ —13 x $1\frac{3}{16}$ )	838802	1	.09
38-54	ALL	STUD, to clutch hsg. ( $\frac{1}{2}$ —13—20 x $1\frac{5}{8}$ )	838701	1	.12

**2.083 BUSHING—WICK, Starting Motor End**

29-37	ALL	drive end ( $\frac{9}{16}$ I.D. x $\frac{5}{8}$ O.D. x $\frac{3}{4}$ length)	810620	1	.17
38-54	ALL	drive end ( $\frac{1}{2}$ I.D. x $\frac{9}{16}$ O.D. x $2\frac{5}{16}$ length)	1839345	1	.17
ALL	ALL	WICK, oil, commutator end (felt— $\frac{1}{2}$ dia.)	804076	A.R.	(2.301)

**2.085 HOUSING, Starting Motor Drive, with Bushing**

34-36	ALL (exc. DC)		1853916	1	5.40
37	ALL		1865171	1	5.40
38-41	ALL		1867896	1	5.40
42-48	ALL (exc. DUBL-DUTI)				
49-54	COMM., UTIL. (exc. D-D)		1865818	1	5.40
48	DUBL-DUTI		1885088	1	6.01
49-54	PASS., DUBL-DUTI		1912112	1	5.40

**2.086 DRIVE ASSEMBLY, Starting Motor**

29-34	ALL (exc. DA, DB, P)		818308	1	8.26
34-37	ALL (exc. DC)		1859020	1	7.97

**EXCHANGE ITEM**

38-54	ALL		1873789*	1	5.61
-------	-----	--	----------	---	------

\*Exchange Price Shown. Add .75 to prices if used Chevrolet Starting Motor Drive Assembly is not exchanged.

**2.087 SPRING, Starting Motor Drive**

29-34	ALL (exc. DA, DB, P)	drive (7 coils— $1\frac{1}{16}$ I.D.—uses $\frac{3}{16}$ bolts)	809690	1	1.06
34-37	ALL (exc. DC)	drive (6 $\frac{1}{2}$ coils— $1\frac{3}{8}$ I.D.—uses $\frac{3}{8}$ bolts)	1848532	1	1.06
34-37	ALL (exc. DC)	drive meshing (2 $\frac{1}{2}$ coils— $1\frac{3}{8}$ O.D.— $\frac{1}{2}$ free length)	1848528	1	.24
34-37	ALL (exc. DC)	drive anti-drift (2 $\frac{1}{2}$ coils— $1\frac{1}{16}$ O.D.—1 free length)	1859035	1	.24
38-54	ALL	clutch (7 coils—1 I.D.—2 $\frac{1}{16}$ free length)	037517	1	.20

**2.088 PINION, Starting Motor Drive**

34-37	ALL (exc. DC)	w/barrel (9 teeth)	1859053	1	2.77
-------	---------------	--------------------	---------	---	------

**2.089 COLLAR, Starting Motor Drive**

38-54	ALL	(2 O.D. x $1\frac{1}{16}$ width)	1838436	1	.48
-------	-----	----------------------------------	---------	---	-----

### 2.091 SCREW, Starting Motor Drive Spring

29-34	ALL (exc. DA, DE, P).....	( $\frac{5}{16}$ -24 x $\frac{5}{8}$ ).....	806426	1	.12
29-34	ALL (exc. DA, DE, P).....	( $\frac{5}{16}$ -24 x $1\frac{1}{16}$ ).....	808953	1	.24
34-37	ALL (exc. DC).....	( $\frac{3}{8}$ -24 x $1\frac{1}{8}$ ).....	1848180	1	.18
34-37	ALL (exc. DC).....	( $\frac{3}{8}$ -24 x $1\frac{1}{16}$ ).....	1854702	1	.12
29-34	ALL (exc. DA, DE, P).....	LOCKWASHER ( $\frac{5}{16}$ I.D. x $\frac{5}{8}$ O.D.).....	806427	1	.01
34-37	ALL (exc. DC).....	LOCKWASHER ( $\frac{3}{8}$ I.D. x $1\frac{1}{16}$ O.D.).....	805057	1	.02

### 2.100 SWITCH ASSEMBLY, Starting Motor (on motor)

29-37	ALL.....	(has rod type contact).....	362941	1	1.34
38-48	ALL (exc. DUBL-DUTI),				
49-54	COMM., UTIL. (exc. D-D).....	(has button type contact).....	820052	1	1.34
48	DUBL-DUTI.....	(solenoid).....	1118102	1	13.36
49-54	PASS., DUBL-DUTI.....	(solenoid) (less plunger and link).....	1118135	1	8.69
49-54	PASS., DUBL-DUTI.....	PLUNGER ASSY., w/link.....	1912939	1	(2.113)

### SWITCH ASSEMBLY and PARTS (on dash)

49-52	PASS., DUBL-DUTI,				
53-54	DUBL-DUTI,				
54	COMM. w/A.T.....	(push button type).....	1996055	1	1.54
49-52	PASS., DUBL-DUTI,				
53-54	DUBL-DUTI,				
54	COMM. w/A.T.....	BUSHING, switch.....	1911548	1	.33

### CONVERSION UNIT

33-37	PASS.....	(push button type).....	1911060	1	8.75
-------	-----------	-------------------------	---------	---	------

### 2.102 SWITCH PARTS, Starting Motor

29-48	ALL (exc. DUBL-DUTI),				
49-54	COMM., UTIL. (exc. DUBL-DUTI).....	INSULATION.....	816911	2	.06
49-54	PASS., DUBL-DUTI.....	CONNECTOR.....	1912117	1	.28
49-54	PASS., DUBL-DUTI.....	WASHER, insulating term. (w/1118135).....	813731	4	(2.401)
49-54	PASS., DUBL-DUTI.....	SCREW, cover attach. (w/1118135).....	1912522	1	.04
49-54	PASS., DUBL-DUTI.....	CONTACT, w/push rod (w/1118135).....	1912059	1	.62
49-54	PASS., DUBL-DUTI.....	CUP, spring support (w/1118135).....	1912068	1	.06
49-54	PASS., DUBL-DUTI.....	SPRING, contact return (w/1118135).....	1853342	1	.12
49-54	PASS., DUBL-DUTI.....	STUD, terminal (No. 8-32 x $1\frac{1}{8}$ O.L.) (w/1118135).....	1917115	1	.06
49-54	PASS., DUBL-DUTI.....	STUD, terminal ( $\frac{3}{8}$ -16 x $1\frac{1}{8}$ O.L.) (w/1118135).....	1912066	2	.19
49-54	PASS., DUBL-DUTI.....	INSULATOR, terminal stud (2 holes $\frac{25}{64}$ sq.) (w/1118135).....	1912067	1	.14

### 2.108 LEVER-STUD-SPRING-PIN, Starting Motor Drive Shift

38-41	ALL.....	LEVER ( $\frac{1}{2}$ thickness thru stud hole).....	1882077	1	1.33
42-48	ALL (exc. DUBL-DUTI),				
49-54	COMM., UTIL. (exc. D-D).....	LEVER ( $\frac{1}{4}$ thickness thru stud hole).....	1885814	1	1.33
48	DUBL-DUTI.....	LEVER (elongated hole and 2 topped holes).....	1885080	1	1.33
49-54	PASS., DUBL-DUTI.....	LEVER (elongated hole one end).....	1912938	1	1.33
38-41	ALL.....	STUD ( $\frac{3}{8}$ -16 x $\frac{1}{2}$ shldr. length—sltd. hd.).....	1868003	1	.19
42-48	ALL (exc. DUBL-DUTI),				
49-54	COMM., UTIL. (exc. D-D).....	STUD ( $\frac{3}{8}$ -16 x $\frac{1}{4}$ shldr. length— $\frac{5}{8}$ flat hd.).....	1885817	1	.20
49-54	PASS., DUBL-DUTI.....	STUD ( $\frac{3}{8}$ -16 thd x 2 O.L.—sltd. hd.).....	1848798	1	.34
48	DUBL-DUTI.....	SPRING (R.H. coils).....	1859742	1	.30
49-54	PASS., DUBL-DUTI.....	SPRING (L.H. coils).....	1881861	1	.30
48	DUBL-DUTI,				
49-54	PASS., DUBL-DUTI.....	PIN, shift lever ( $\frac{3}{16}$ x $\frac{3}{16}$ ).....	1853305	1	.06

### 2.113 LINK ASSEMBLY-PLUNGER, Starting Motor Drive Shift

48	DUBL-DUTI.....	LINK, with screw.....	1873700	1	.48
49-54	PASS., DUBL-DUTI.....	PLUNGER, with link.....	1912939	1	1.23



**2.122 HARNESS, Reversing Switch Wiring**

41-48	ALL (exc. COE).....	to coil and distr. (20 $\frac{5}{8}$ longest length)....	1881929	1	.50
-------	---------------------	--	---------	---	-----

**2.170 COIL, Ignition**

33-40	ALL.....		1915427	1	6.12
41-46	ALL.....	(molded 1115401 and 6-V).....	1910405	1	6.74
29-32	ALL.....				
47-54	ALL.....		1115380	1	5.61

**2.183 PLATE, Ignition Coil Mounting**

41-49	COE.....	(cage nut recess 2 $\frac{5}{8}$ wide).....	839501	1	.93
50-54	COE.....	(5 $\frac{7}{16}$ long).....	3635559	1	.93

**2.197 KEY, Ignition—Door—Compartment—Trunk—Gas Tank Cap—Tire Locks**

35-54	ALL.....	(octagon hd.—w/knockout plug—ignition, door and tire locks) (series 8000-9499).	3694624	A.R.	.11
38-46	ALL.....	(round hd.—w/knockout plug—compt., trunk and gas tank locks) (series 8000-9499).....	7002238	A.R.	.11

**2.198 ELECTROLOCK ASSEMBLY**

29-32	ALL.....	w/cyl. and 2 keys.....	362857*	1	6.68
-------	----------	------------------------	---------	---	------

\*NOTE: When installing 362857 on 1929 jobs disconnect ammeter end of ammeter to coil wire and connect to electrolock terminal marked "gauge coil". Use approx. 7 in. No. 14 wire and terminals to connect ammeter to electrolock terminal marked "battery".

35-36	ALL.....				
37-40	COMM., UTIL. (exc. COE).....	less cyl. and keys (stamped 1116278)....	1116278	1	3.87
37-39	PASS.....	less cyl. and keys ("D-37" cast on case).	1865216	1	2.57
40	PASS.....	less cyl. and keys ("D-or-B" cast on case).	1116272	1	3.92
41-46	PASS.....	less cyl. and keys (stamped 1116304)..	1116304	1	3.92
41-46	COMM., UTILITY (exc. COE).....	less cyl. and keys.....	1116363	1	4.19
41-46	COE.....	less cyl. and keys (stamped 1116303)..	1116303	1	4.85
35-46	ALL.....				
47	PASS.....				
49-54	COMM., UTILITY.....	CYLINDER, less keys uncoded.....	1097319	1	.80
47-48	ALL (exc. EJ, EK),				
49-52	PASS.....	CYLINDER, less keys uncoded.....	3696338	1	.80
53-54	PASS.....	CYLINDER, less keys uncoded.....	3703446	1	.85

NOTE: See group 10.553 for cylinder tumblers.

**SWITCH, Ignition**

47	PASS.....	less cyl. and keys.....	1116454*	1	2.13
47-48	ALL (exc. EJ, EK),				
49-50	PASS.....	less cyl. and keys.....	1116452	1	2.07
49-54	COMM., UTIL.....	less cyl. and keys.....	1116464	1	2.07
51-52	PASS.....	less cyl. and keys.....	1116469	1	2.07
53-54	PASS.....	less cyl. and keys.....	1116478	1	3.37

\*NOTE: See group 2.525 for coil to ignition switch wiring for 1947 PASS. electrolock.

**2.192 PLATE, Ignition Switch Mounting**

47-53	COMM., UTIL. (exc. FFC, D-D).....		3684097	1	.33
49-50	PASS.....		3688155	1	.33

**2.193 NUT—DIAL, Ignition Lock**

34-36	ALL.....				
37-46	COMM., UTILITY.....				
51-52	PASS.....				
54	COMM., UTIL. (exc. FFC).....	NUT, mounting (1—32 thd.—1 $\frac{1}{2}$ O.D.).....	1917129	1	.53
53-54	PASS.....	NUT, mounting (1—32 thd.—w/3 wrench slots)	1922539	1	.53
53-54	PASS.....	DIAL, indicator.....	3707716	1	.25

**2.239 WIRE UNIT, Spark Plug**

29-46	ALL,				
47-54	COMM., UTIL.		5298107*	1	2.36
47-52	ALL (exc. COE)	(for use with radio),			
53-54	PASS.		5298450*	1	3.40

\*NOTE: Consists of: 6 spark plug wires, 1 coil high tension wire, 8 nipples and clips.

**2.240 WIRE, Spark Plug, with Terminals**

29-54	ALL	(14 $\frac{3}{8}$ length)	1878086	6	.14
-------	-----	---------------------------	---------	---	-----

**2.241 CABLE, Spark Plug (also see group 2.530)**

ALL	ALL	(7 MM high tension—100 ft. spool)	1851208	A.R.	13.10
-----	-----	-----------------------------------	---------	------	-------

**2.257 TERMINAL—CLIP, Spark Plug Wire**

ALL	ALL	(right angle push on type)	843006	A.R.	.04
ALL	ALL	(for threaded terminal and nut— $\frac{1}{4}$ hole)	1846008	A.R.	.04
ALL	ALL	(for threaded terminal and nut— $\frac{1}{2}$ hole)	1846014	A.R.	.06
ALL	ALL	(spade end—for $\frac{3}{16}$ rod)	200086	A.R.	.04
ALL	ALL	CLIP, high tension	5284618	8	.02

**2.258 NIPPLE—PROTECTOR, Spark Plug Wire**

ALL	ALL	distributor	5289527	A.R.	.05
47-54	ALL	coil	5290441	1	.06
ALL	ALL	PROTECTOR, spark plug (bellows type)	5297132	6	.30

**2.270 PLUG, Spark**

NOTE: Retail list price in quantities of four or more—.80 each.

	Type	Recommended Service			
29-32	ALL No. 86 (18 MM)	all operations	5569530*	6	.85
33-40	ALL No. 45 (14 MM)	average operations	1559493*	6	.85
33-40	ALL No. 46 (14 MM)	average operations	1559494*	6	.85
41-48	ALL No. 104 (10 MM)	standard equip. on trucks, sustained high speeds on pass.	1557801*	6	.85
41-48	ALL No. M8 (10 MM)	standard equip. on 1946-48 pass., sustained slow speeds on trucks.	1559459*	6	.85
49-52	PASS No. 46-5 (14 MM)		5569617*	6	.85
49-52	COMM., UTIL.,				
53	ALL,				
54	PASS., COMM., 1 $\frac{1}{2}$ TON (exc. hvy. duty)				
	No. 44-5 (14 MM)		5569761*	6	.85
54	1 $\frac{1}{2}$ TON (hvy. duty).				
54	2 TON No. 43-5 (14 MM)		5569831*	6	.85

\*NOTE: The prices shown are subject to the provisions of the Fair Trade Acts of those States having such laws.

**2.271 GASKET, Spark Plug Seat**

29-32	ALL	( $\frac{29}{32}$ I.D. x $\frac{15}{16}$ O.D.) (18 MM)	1555476*	6	.01
33-40	ALL,				
49-54	ALL	( $\frac{3}{16}$ I.D. x $\frac{75}{32}$ O.D.) (14 MM)	1555475*	6	.01
41-48	ALL	( $\frac{15}{32}$ I.D. x $\frac{3}{16}$ O.D.) (10 MM)	1555492*	6	.01

\*NOTE: The prices shown are subject to the provisions of the Fair Trade Acts of those States having such laws.

**2.273 WRENCH, Spark Plug (also see group 8.521)**

33-40	ALL,				
49-54	ALL.....	( $\frac{53}{64}$ hex.—4 $\frac{1}{4}$ length).....	3692188	1	.50
41-46	ALL (exc. DJ, DK),				
47-48	COMM., UTILITY.....	( $\frac{5}{8}$ hex.—3 length—w/handle).....	3689600	1	.35
46-48	PASS.....	( $\frac{45}{64}$ hex.—3 length—w/handle).....	3685599	1	.35

**2.274 PULLEY, Generator**

29-31	ALL.....	w/out fan (3 $\frac{3}{8}$ largest O.D.—1 $\frac{1}{8}$ greatest thickness).....	601878	1	1.67
32-35	ALL (exc. EA, ED).....	w/out fan (3 $\frac{3}{8}$ largest O.D.—1 $\frac{5}{16}$ greatest thickness).....	837879	1	1.33
35-38	ALL (exc. EB, EC, Q, HC, HD, HE, T)....	w/fan (4 $\frac{15}{16}$ largest O.D.—1 $\frac{11}{16}$ greatest thickness).....	597667	1	1.90
39-52	ALL (exc. large gen. 1952).....				
36-51	ALL (for low speed driving),				
52	ALL (w/small gen.) (for low speed driving)	w/fan (602253 cast on pulley).....	604486	1	1.90
48-54	ALL w/55 amp. gen. (reg. cut-in).....	w/fan (5 dia. pulley w/wide groove).....	1911990	1	10.31
52	ALL (w/large generator),				
53-54	UTILITY.....	w/fan (5 $\frac{21}{32}$ largest O.D.).....	3700301	1	1.87
52	ALL,				
53-54	UTILITY (w/1102786—5008—5009).....	w/out fan (5 $\frac{1}{2}$ dia.).....	1922951	1	6.68
53-54	PASS., COMM. (exc. spec. equip.).....	w/fan (used w/ $\frac{3}{8}$ belt).....	3703606	1	1.87
53-54	PASS., COMM. (spec. equip.).....	w/o fan (used w/ $\frac{3}{8}$ belt).....	1925515	1	6.68
53-54	ALL w/55 amp. gen. (reg. cut-in).....	w/fan (5 dia. pulley w/narrow groove)...	1925486	1	10.31
53-54	PASS., COMM. w/55 amp. gen. (low cut-in).....	w/fan (3 dia. pulley w/narrow groove)...	1927039	1	8.19
53-54	UTIL. w/55 amp. gen. (low out-in).....	w/fan (3 $\frac{3}{8}$ dia. pulley w/wide groove)...	1928286	1	8.19
53-54	PASS., COMM. (low speed driving).....	w/fan.....	5846798	1	1.90
49-54	ALL (w/separate fan).....	FAN.....	1866400	1	.62

**2.275 GENERATOR**

**NEW GENERATOR ASSEMBLIES**

		EXCHANGE ITEM	Type No.		
29-39	ALL.....	less pulley (23 amp.).....	(60-U) 1100502*	1	28.46
40-48	ALL.....	less pulley (30 amp.).....	(72-U) 1102737*	1	29.44
49-52	ALL.....	less pulley (35 amp.).....	(9-U) 1102719*†	1	27.20
52	ALL (short gen.).....	less pulley (37 amp.).....	(13-U) 1100013*	1	25.89
53-54	PASS., COMM. (exc. spec. equip.).....	less pulley (45 amp.) (9 $\frac{1}{2}$ O.L.)...	(18-U) 1100018*	1	25.89
53-54	PASS., COMM. (spec. equip.).....	less pulley (45 amp.) (10 $\frac{1}{2}$ O.L.),			
53-54	UTILITY.....	("T" stamped near nameplate)....	(85-U) 1102785*	1	29.70

**REBUILT GENERATOR ASSEMBLIES**

29-39	ALL.....	less pulley (23 amp.).....	(60-U) 1100503*	1	20.65
40-48	ALL.....	less pulley (30 amp.).....	(72-U) 1102744*	1	20.65
49-52	ALL.....	less pulley (35 amp.).....	(9-U) 1102742*†	1	20.65
52	ALL (short gen.).....	less pulley (37 amp.).....	(13-U) 1100023*	1	20.65
53-54	PASS., COMM. (exc. spec. equip.).....	less pulley (45 amp.) (9 $\frac{1}{2}$ O.L.)...	(18-U) 1100024*	1	20.65
52-54	ALL (spec. equip.),				
53-54	UTILITY.....	less pulley (45 amp.) (10 $\frac{1}{2}$ O.L.)...	(85-U) 1102803*	1	20.65

†NOTE: On 1949-51 Models, replace collar and spacer with 817224 Collar.

\*Exchange Price Shown. Add \$2.00 to prices if used Delco-Remy Generator Assembly is not exchanged.

**GENERATOR (Special Equipment)**

NOTE: Refer to illustration chart Page 140 for Generator output characteristics.

48-53	ALL (spec. equip.).....	with pulley (55 amp.).....	1924340	1	126.00
	NOTE: 1924340 used by Intercity Truck and Bus. Use hvy. duty wiring and 1118390 Regulator for 55 amp. requirements.				
52	ALL (spec. equip.).....	with pulley (45 amp.).....	1102786	1	42.48
52-53	ALL (spec. equip.).....	with pulley (50 amp.).....	1105001	1	54.00
52-54	ALL (spec. equip.).....	less pulley (40 amp. low cut in).....	1105009	1	57.65
53-54	ALL (spec. equip.).....	less pulley (50 amp.).....	1105008	1	57.65
53-54	ALL (spec. equip.).....	(less pulley) (55 amp. low cut-in).....	1106976	1	145.65
48-54	ALL (spec. equip.).....	MOUNTING UNIT.....	3694131	1	1.77



The following list of used Delco-Remy Generators are acceptable for \$2.00 exchange credit each on the purchase of either new or rebuilt Generator Assy. This list includes all Chevrolet generators of 1929 through 1954 model years. These model numbers are stamped on the generator identification plate.

7-U	935-B	935-X	936-U	948-Y	1100009	1102664	1102719	1102785
9-U	935-C	936-C	943-J	948-Z	1100013	1102665	1102737	1102793
13-U	935-F	936-H	946-C		1100001	1100018	1102667	1102742
18-U	935-K	936-J	948-B		1100002	1100023	1102672	1102744
60-U	935-L	936-M	948-G		1100003	1100024	1102680	1102749
72-U	935-M	936-N	948-N		1100004	1100028	1102701	1102761
85-U	935-U	936-P	948-R		1100005	1100460	1102710	1102769
918-F	935-V	936-R	948-S		1100007	1100502	1102711	1102778
918-G	935-W	936-T	948-U		1100008	1100503	1102717	1102780

### 2.277 BRACKET, Generator (brace listed group 2.317)

29-36	ALL	(6 $\frac{1}{8}$ O.L., hole ctrs. 1 $\frac{1}{8}$ and 1 $\frac{1}{2}$ from ends)	838019	1	.43
37-39	ALL	(6 $\frac{1}{8}$ O.L., hole ctrs. 1 $\frac{13}{32}$ and 1 $\frac{3}{8}$ from ends)	838373	1	.27
40	ALL	(7 $\frac{1}{8}$ O.L., hole ctrs. 1 $\frac{13}{32}$ and 2 $\frac{3}{8}$ from ends)	839244	1	.50
41-51	ALL	(7 $\frac{1}{4}$ O.L., 2 $\frac{1}{2}$ height—1 $\frac{3}{8}$ from end of hole to outside end of brkt.)	3835498	1	.50
52	ALL				
53-54	PASS., COMM. (spec. equip.)	(7 $\frac{1}{8}$ O.L., 2 $\frac{1}{2}$ height—1 $\frac{3}{8}$ from end of hole to outside end of brkt.)	3704771	1	.52
53-54	UTILITY (exc. spec. equip.)				
52	ALL w/1100013 (small gen.)	(6 $\frac{1}{8}$ O.L.)	3835672	1	.45
53-54	PASS. COMM. (w/1100018)	(stamped 3703618)	3703618	1	.45
53-54	ALL w/55 amp. gen. (low cut-in)	(8 $\frac{1}{4}$ end to end)	3707088	1	1.25
37-54	ALL	BOLT, brkt. to generator (hex. hd. $\frac{5}{16}$ —24—1 $\frac{13}{16}$ drld.)	3682642	2	.07
37-54	ALL	WASHER ( $\frac{5}{16}$ ) (use w/3682642 Bolt)	3682643	2	.02

### 2.279 ARMATURE, Generator

		EXCHANGE ITEM			
29-39	ALL	9 $\frac{23}{64}$ overall length	1871826*	1	13.89
40-52	ALL (exc. special equip.) (large gen.)	10 $\frac{23}{64}$ overall length	1921235*	1	13.89
49-52	ALL w/1102717-2786	10 $\frac{13}{32}$ overall length. (45 amp.)	1912599*	1	15.14
52	ALL w/1100013 (small gen.)	9 $\frac{13}{32}$ overall length	1921351*	1	13.89
53-54	PASS., COMM. (exc. spec. equip.)	(9 $\frac{3}{8}$ O.L.)	1925348*	1	13.89
53-54	ALL w/1102785	(10 $\frac{3}{8}$ O.L.)	1921621*	1	15.14
53-54	ALL w/1105008	(10 $\frac{1}{8}$ O.L.) (50 amp.)	1925556*	1	16.39
53-54	ALL w/1105009	(10 $\frac{1}{8}$ O.L.) (40 amp.)	1925630*	1	16.39
53-54	ALL w/1106976	(55 amp. gen. low cut-in)	1927074†	1	63.72

\*Exchange Price Shown. Add \$1.00 to prices if used Chevrolet Armature is not exchanged.

†Exchange Price Shown. Add \$6.37 to prices if used Chevrolet Armature is not exchanged.

### 2.280 NUT—LOCKWASHER, Generator Armature

29-54	ALL	NUT ( $\frac{5}{8}$ —20 thd.— $\frac{1}{4}$ thick)	806915	1	.10
29-54	ALL	L/WASHER ( $\frac{13}{16}$ I.D. x $\frac{13}{16}$ O.D.)	804000	1	.04

### 2.285 BRUSH, Generator

29-36	ALL (exc. DA, EA, ED, FA, FD)	(no lead— $\frac{3}{4}$ x $\frac{3}{4}$ x $\frac{1}{4}$ )	820517	3	.12
40-52	ALL	(w/lead— $\frac{7}{8}$ x $\frac{13}{16}$ x $\frac{1}{4}$ )	1878249	2	.31
50-54	ALL w/55 amp. gen.	(w/lead—1 $\frac{1}{16}$ x 1 $\frac{1}{4}$ x $\frac{1}{4}$ )	1906911	2	1.46
52-54	ALL w/1100013-0018-2785-2786	(w/lead— $\frac{7}{8}$ x $\frac{13}{16}$ x $\frac{1}{4}$ )	1923295	2	.31
53-54	ALL w/spec. equip.	(w/lead—stamped 931)	1906931	2	.45
34-36	DA, EA, ED, FA, FD,				
37-39	ALL (also w/1100460 gen.)	UNIT, brush	1857963	1	.82

NOTE: Above unit consists of: 2 main brushes and 1 third brush.

### 2.286 SPRING, Generator Brush

29-36	ALL (exc. DA, EA, ED, FA, FD)	3rd brush and ground	809644	2	.07
34-39	DA, EA, ED, FA, FD, G, S, H, T, J, V (also w/1100460 and models 931M-N-S, 935U)	3rd brush	1850767	1	.07

34-39	DA, EA, ED, FA, FD, G, S, H, T, J, V (also w/1100460 and models 931M-N-S, 935U).....	main and ground.....	1850760	2	.07
40-52	ALL.....				
53-54	ALL (spec. equip.).....		1878184	2	.07
52-54	ALL w/1100013-0018-2785-2786-2793.....		1908829	2	.08

**2.287 PLATE—SCREW, Generator Brush**

35-39	EA, ED, FA, FD, G, S, HC, HD, HE, T, IC, ID, JE, VA, VB, VC, VD.....	3rd brush.....	1859146	1	1.07
35-39	EA, ED, FA, FD, G, S, HC, HD, HE, T, JC, ID, JE, VA, VB, VC, VD (also w/1100460 and models 931M-N-S, 935U).....	main brush.....	1873956	1	1.41
38-39	PASS., COE.....	main brush.....	1871806	1	1.68
40-48	ALL.....		1878177	1	1.29
40-48	ALL.....	SCREW, cover plate and brush plate (No. 8—32 x 7/16).....	1886496	4	.04

**2.291 ARM, Generator Brush**

34-36	DA, EA, ED, FA, FD.....				
37-39	ALL (also w/1100460 gen.).....		1850759	3	.26
40-54	ALL.....		1878183	2	.26

**2.297 FRAME, Generator Commutator End, with Bushing**

34-39	DA, EA, ED, FA, FD, G, S, HC, HD, HE, T, JC, ID, JE, VA, VB, VC, VD (also w/1100460).....		1878689	1	3.08
38-39	PASS., COE.....				
40-52	ALL.....		1913990	1	3.53
52-54	ALL w/1100013-0018-2785-2786.....		1923069	1	2.53

**2.298 BUSHING, Generator Commutator End Frame**

29-48	ALL (also w/1100460).....	(3/16 I.D. x 1 1/2 O.D. x 1/8 length).....	812823	1	.28
-------	---------------------------	--	--------	---	-----

**2.299 BAND, Generator Commutator Cover**

29-52	ALL (exc. F, H, G, S, HC, HD, HE, T, IC, ID, JE, VA, VB, VC, VD) (also w/1100460).....	(4 1/2 dia. closed x 1 5/8 wide).....	816340	1	.41
36-39	ALL (exc. HA, HB, JA, JB, COE).....	(4 1/2 dia. closed x 1 5/8 wide).....	1861502	1	.45

**2.300 CAP—GASKET, Generator Commutator End Dust**

29-48	ALL.....	CAP.....	820524	1	.12
29-48	ALL.....	GASKET.....	817220	1	.05

**2.301 PIPE—WICK—PLUG, Generator Oil**

41-52	COE.....	PIPE, rear, w/oil cup (1/4 O.D. x 13 1/8 dev. lgth.).....	3692955	1	1.62
41-54	COE.....				
53-54	D-D w/spec. equip.....	PIPE, frt., w/oil cup (5/16 O.D. x 3 1/4 dev. length).....	3661727	1	.33
52-53	COE w/1100013.....	PIPE, rear, w/oil cup (1/4 O.D. x 11 1/4 dev. length).....	3701066	1	.29
29-54	ALL.....	WICK, oil (felt 3/16 dia. x 2 length).....	804076	1	.07
29-52	ALL.....	PLUG, oil hole (steel 1/4 dia. x 5/16 length).....	1911097	1	.06

**2.302 PIN, Generator**

29-37	ALL.....	brush hinge (3/16 x 1 1/16—no insul.).....			
29-54	ALL.....	drive end dowel (cut and use 3/16).....	817313	A.R.	(2.054)
29-38	ALL.....	brush hinge (3/16 dia. x 1 1/16—insul.).....	812016	2	(2.054)
29-37	ALL.....	brush stop (3/16 dia. x 1—no insul.).....	817314	2	(2.054)
29-38	ALL.....	brush stop (3/16 dia. x 1—insul.).....	812015	2	(2.054)
29-54	ALL.....	comm. end dowel (1/8 dia. x 3/8).....	809062	1	.05

### 2.305 FRAME, Generator Drive End

29-39	(w/1100460).....	(has 3 attach. bolt lugs).....	1878891	1	3.03
37-54	ALL.....	UNIT (6 1/8 ctr. to ctr. attach. bolt holes).....	1910404*	1	2.80

\*NOTE: 1910404 consists of (1) each: frame, plate and gasket.

### 2.306 BEARING, Generator Drive End

29-54	ALL.....	(ND 320391446).....	954378	1	2.05
-------	----------	---------------------	--------	---	------

### 2.307 PLATE—GASKET—WASHER—COLLAR—RETAINER—SCREW, Generator Drive End

29-54	ALL.....	PLATE, brg. inside ret.....	1911263	1	.12
29-54	ALL.....	GASKET, brg. inside ret. plate.....	1912008	1	.05
29-52	ALL.....	LOCKWASHER, ret. plate screw (3/16 I.D. x 3/8 O.D.).....	802731	3	.03
29-54	ALL.....	WASHER, felt, outside (29/32 I.D. x 15/16 O.D.)....	809961	1	.05
29-54	ALL.....	WASHER, metal, spacer (11/16 I.D. x 19/16 O.D. x 1/2).....	809945	1	.05
37-39	G, S, HA, HB, JA, JB, COE.....	COLLAR, metal, spacer (11/16 I.D. x 29/32 x 1/2)....	1858603	1	.20
38-54	ALL (exc. HA, HB, IA, IB, VE, VF, VG, VH, VM, VN).....	COLLAR, metal, spacer (11/16 I.D. x 29/32 x 1/2)....	817224	1	.20
40-52	ALL.....	COLLAR, metal, spacer (11/16 I.D. x 15/16 O.D. x 1/2).....	815660	1	.05
29-54	ALL.....	RETAINER, felt washer (1 I.D. x 1 1/16 O.D.)....	819104	1	.05
40-54	ALL.....	SCREW, brg. retainer plate (No. 10-32 x 1/16).....	1904370	3	.04

### 2.310 COIL UNIT, Generator Field

34-39	DA, EA, ED, FA, FD, G, S, H, T, I, V.....	1 R. and 1 L. coil and instructions.....	1902105	1	5.09
40-48	ALL.....	1 R. and 1 L. coil and instructions.....	1902111	1	5.61
49-52	ALL.....	1 R. and 1 L. coil.....	1912654	1	5.61
52	ALL w/1100013.....	1 R. and 1 L. coil.....	1921356	1	5.61
53-54	ALL w/1102785.....	1 R. and 1 L. coil.....	1922702	1	6.17
53-54	PASS, COMM. w/1100018.....	1 R. and 1 L. coil.....	1925691	1	5.61

### 2.313 BUSHING—STUD—WASHER—TERMINAL—INSULATOR, Generator

29-39	ALL (exc. HA, HB, IA, IB, COE).....	BUSHING, relay lead insul (5/8 I.D. x 1/4 O.D. x 1/2 length).....	812891	1	.13
35-54	ALL (exc. EB, EC, Q, FB, FC, R) (also w/1100460, 1105008, 1105009).....	STUD, w/insul., field term.....	1858749	1	.20
40-50	ALL.....	STUD and LEAD, w/insul., field term.....	1858754	1	.32
52-54	ALL w/1100013-0018-2785-2786.....	STUD, armature terminal.....	1921369	1	.20
52-54	ALL w/1100013-0018-2785-2786.....	STUD, field terminal.....	1921860	1	.20
34-54	ALL (exc. DB, DC, P, EB, EC, Q, FB, FC, R).....	WASHER, steel, term. stud outside (1/4 I.D. x 1/4 O.D. x 1/2).....	834560	1	.06
34-50	ALL (exc. DB, DC, P, EB, EC, Q, FB, FC, R).....	WASHER, insul., term. stud (1/4 I.D. x 1/2 O.D. x 3/16).....	1872459	1	.06
40-54	ALL.....	WASHER, insul., term. stud, outside (1/4 I.D. x 1/2 O.D. x 3/16).....	1858753	1	.05
29-48	ALL.....	TERMINAL, lead (3/16 x 3/8 overall—3/16 hole)....	200154	A.R.	.03
52-54	ALL w/1100013-0018-2785-2786.....	INSULATOR, terminal (plastic 11/16 O.D.).....	1921362	1	.06

### 2.314 RESISTANCE, Generator (mounted on light switch)

34-37	DA, EA, ED, FA, FD, G, S,				
38-39	COMM., UTIL. (exc. COE).....	(1.55 ohms resistance).....	808767	1	.34
34-37	DA, EA, ED, FA, FD, G, S,				
38-39	COMM., UTIL. (exc. COE).....	(1.05 ohms resistance).....	810922	1	.34
34-37	DA, EA, ED, FA, FD, G, S,				
38-39	COMM., UTIL. (exc. COE).....	(.75 ohms resistance).....	817911	1	.34



### 2.316 BOLT, Generator Through

40-52	ALL,				
53-54	UTILITY.....	( $\frac{5}{16}$ -18 x $7\frac{1}{2}$ ).....	809763	2	.20
52	ALL w/1100013,				
53-54	PASS., COMM. w/1100018.....	( $\frac{5}{16}$ -18 x $5\frac{1}{2}$ ).....	817393	2	.20

### 2.317 BRACE, Generator (bracket listed in group 2.377)

29-40	ALL.....	( $8\frac{5}{8}$ length overall—straight).....	838465	1	.17
41-54	ALL.....	( $5\frac{1}{4}$ adj. slot length—curved).....	3703617	1	.17
53-54	ALL (w/spec. equip.).....	( $5\frac{3}{8}$ adj. slot length).....	3704772	1	.35
53-54	ALL w/55 amp. gen. (low cut-in).....	( $3\frac{9}{16}$ adj. slot length).....	3707090	1	.35

### 2.319 BREAKER, Generator (current regulator listed in group 2.500)

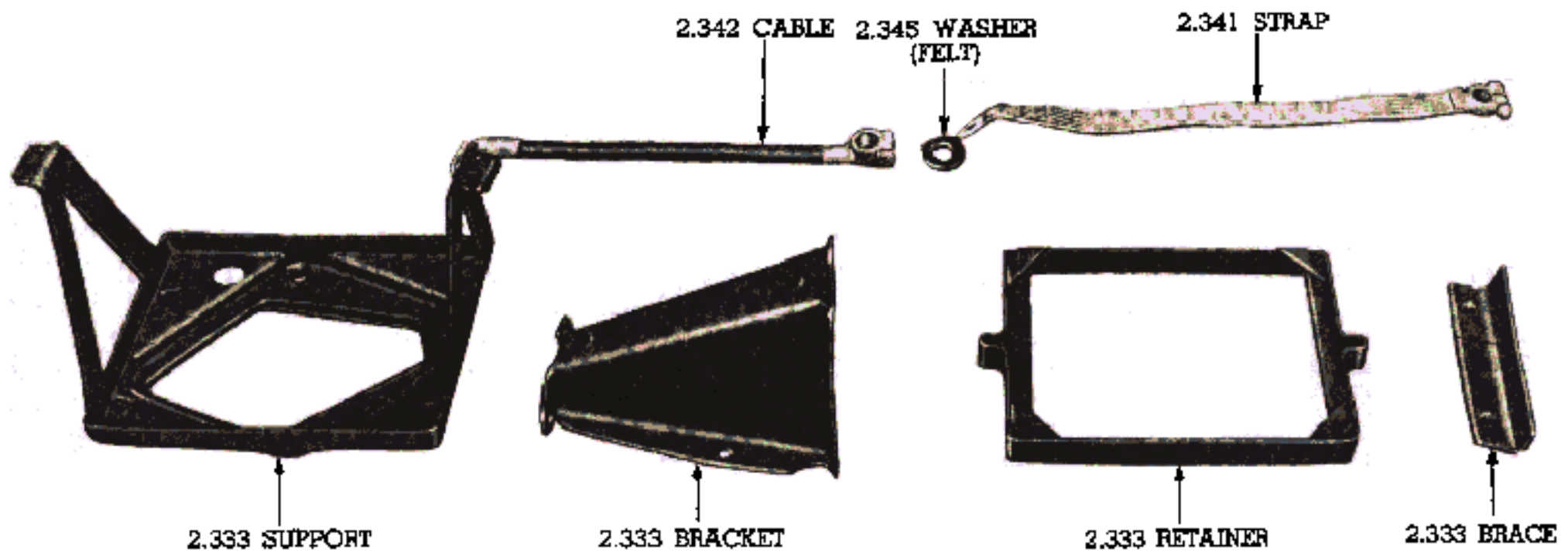
29-39	ALL (exc. HA, HB, JA, JB, COE).....	circuit.....	1867781	1	2.42
-------	-------------------------------------	--------------	---------	---	------

### 2.333 PARTS, Battery Hanger

36-39	PASS. (exc. FA, FD).....	HANGER, less strap.....	595808	2	.25
37-39	COMM., UTIL. (exc. COE),				
40-46	$\frac{1}{2}$ TON, KD, KE.....	HANGER, frt., less strap.....	594060	1	.33
40-46	COMM., UTIL. (exc. $\frac{1}{2}$ TON, MY, MT, OW, OY, PL, PX, COE),				
48	FT (1st design).....	HANGER, frt., less strap.....	3653358	1	.33
40-46	$\frac{3}{4}$ , 1 TON, UTIL. (exc. KD, KE, COE),				
48	FT (1st design).....	HANGER, rear, less strap.....	3653413	1	.33
40-54	COE.....	HANGER, less strap.....	3654745	2	.18
47-54	COMM., UTIL. (exc. D-D, COE, SBC)....	HANGER, front, with strap.....	3683559	1	1.10
47-54	COMM., UTIL. (exc. D-D, COE, SBC)....	HANGER, rear, with strap.....	3683569	1	1.05
37-39	PASS.....	STRAP, hanger, w/guard.....	593911	1	1.17
37-39	COMM., UTIL. (exc. COE),				
40-46	$\frac{1}{2}$ TON, KD, KE.....	STRAP, w/guard.....	594919	1	1.17
40-46	COMM. (exc. $\frac{1}{2}$ TON, KD, KE),				
40-46	UTIL. (exc. MT, MY, OG, OW, OY, PL, PX, COE),				
48	FT (w/battery mtd. inside of frame).....	STRAP, w/guard.....	604450	1	1.05
40-54	COE.....	STRAP, hanger.....	3654747	1	.33
37-39	COMM., UTIL. (exc. COE),				
40-46	$\frac{1}{2}$ TON, KD, KE.....	SUPPORT, rear, hanger.....	594062	1	.25
40-46	COMM., UTIL. (exc. $\frac{1}{2}$ TON, KD, KE, COE),				
48	FT (1st design).....	SUPPORT, hanger.....	3653383	2	.33
40-48	PASS.....	SUPPORT, bottom, w/side straps.....	3653225	1	1.17
47-54	D-D, SBC.....	SUPPORT, w/bracket.....	3685020	1	4.03
49-54	PASS.....	SUPPORT.....	3700058	1	1.25
41-46	COMM., UTIL. (exc. $\frac{1}{2}$ TON, COE),				
48	FT (1st design).....	BRACE, hanger.....	3656479	1	.18
40	PASS.,				
41-48	PASS. (exc. CONV.).....	BRACE, support bracket.....	3653231	1	.18
49-52	PASS.....	BRACE, support.....	3688597	1	.45
53-54	PASS.....	BRACE, support ( $2\frac{11}{16}$ x $10\frac{5}{8}$ ).....	3697972	1	.45
40	PASS.,				
41-48	PASS. (exc. CONV.).....	BRACKET, support.....	3654645	1	1.05
40-46	PASS.,				
47-54	ALL (exc. COE, SBC).....	RETAINER, top.....	3653224	1	1.17
47-54	SCHOOL BUS CHASSIS.....	RETAINER, top.....	3654988	1	1.36
47-54	COMM., UTIL. (exc. D-D, FFC, COE)....	SHIELD.....	3686708	1	.55
47-54	COMM., UTIL. (exc. D-D, COE, SBC)....	PLATE, hanger bottom ( $7\frac{1}{4}$ x $9\frac{3}{8}$ ).....	3683563	1	.60

### 2.334 BOLT-NUT-SPACER, Battery Hanger Clamp

34-36	DA, EA, ED, FA, FD,				
49-54	PASS.....	BOLT (hook hd. $\frac{5}{16}$ -18 x $8\frac{3}{8}$ overall).....	3688699	2	.13
47-53	DUBL-DUTI, SCH. BUS CH.....	NUT, anchor, supt. strap ( $\frac{5}{8}$ -18).....	4034101	2	(12.751)
29-46	COMM., UTIL.,				
48	FT.....	SPACER (wood— $8\frac{7}{8}$ O.L.).....	347580	1	.17



### BATTERY BOX—1940-48 PASSENGER

#### 2.341 CABLE—STRAP, Battery Ground, with Terminal

29-39	ALL,				
40-46	COMM., UTIL. (exc. COE),				
47-54	COMM., UTIL. (exc. COE, D-D, SBC),				
49-54	PASS. ....	(14½ ctr. to ctr. term. holes) .....	5298404	1	1.76
47-54	DUBL-DUTI, SCH. BUS CH. ....	(23½ ctr. to ctr. term. holes) .....	5286911	1	2.80
39-54	COE.,				
40-48	PASS. ....	STRAP (16½ ctr. to ctr. term. holes) .....	5286925	1	1.90

#### 2.342 CABLE, Battery to Starter Switch, with Terminals (insulated)

29-36	ALL (exc. EC, FC),				
37-39	COMM., UTIL. (exc. COE),				
40-46	½ TON, KD, KE. ....	(27 ctr. to ctr. term. holes) .....	5286912	1	2.90
35	EC. ....	(48 ctr. to ctr. term. holes) .....	5286917	1	4.48
36	FC. ....	(30 ctr. to ctr. term. holes) .....	1860328	1	2.90
37-39	PASS.,				
47-54	COMM., UTIL. (exc. D-D, SBC, COE),				
49-54	PASS. ....	(39½ ctr. to ctr. term. holes) .....	5288946	1	3.68
39-46	COE. ....	(15½ ctr. to ctr. term. holes) .....	1874702	1	2.10
40-48	PASS.,				
47-54	DUBL-DUTI, SCH. BUS CH. ....	(14½ ctr. to ctr. term. holes) .....	5288944	1	2.04
40	KF, WA, WB, WC,				
41-46	COMM., UTIL. (exc. ½ TON, COE) .....	(30 ctr. to ctr. term. holes) .....	5286913	1	3.28
47-54	COE. ....	(19 ctr. to ctr. term. holes) .....	5286910	1	2.34

#### 2.343 BOLT, Battery Cable Terminals, w/Nut

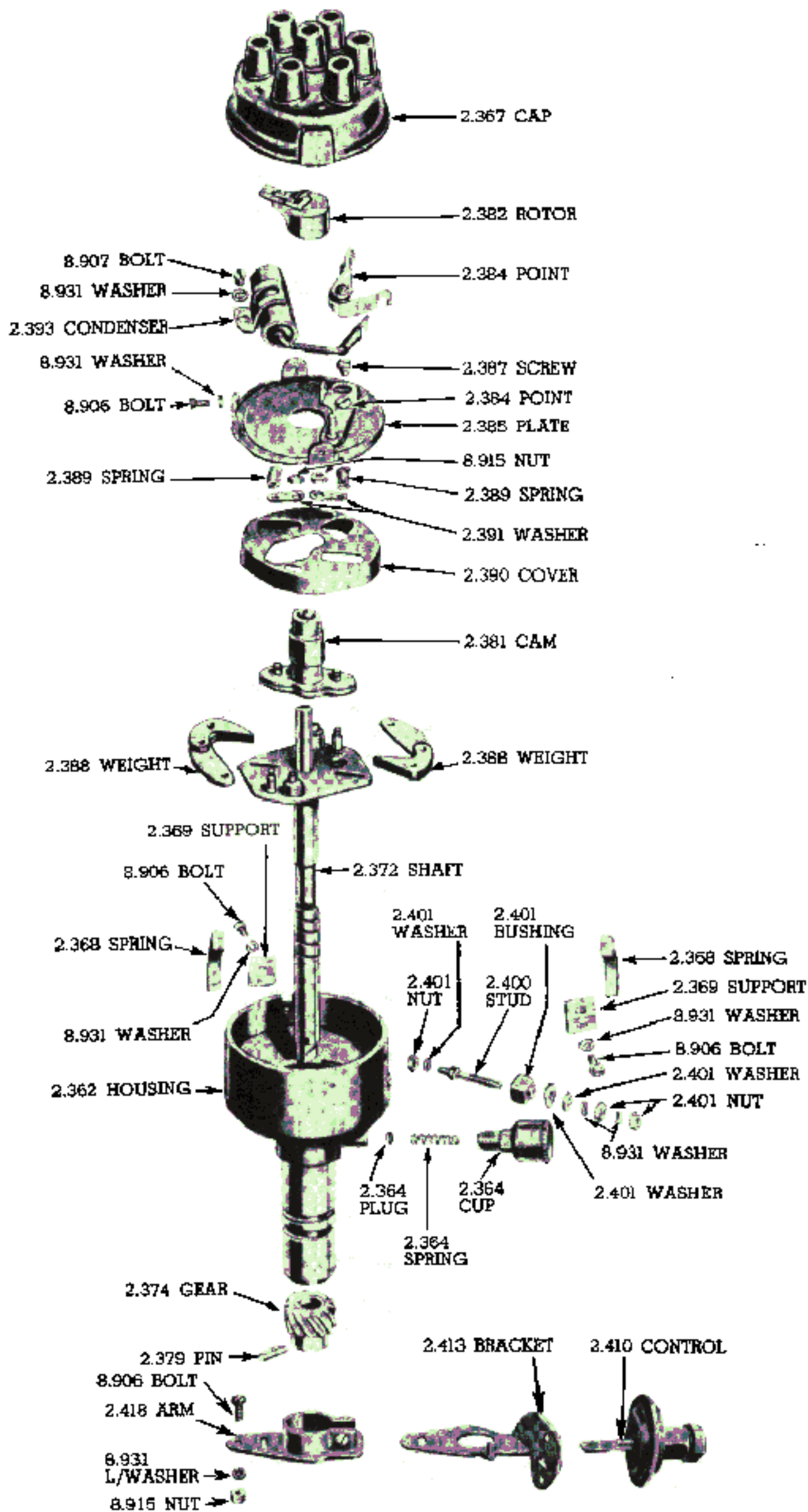
ALL	ALL. ....	(use w/lead terminals) .....	1846534	1	.12
-----	-----------	------------------------------	---------	---	-----

#### 2.345 WASHER—PLUG, Battery

ALL	ALL. ....	WASHER, pos. term. (1⅛ I.D. x 1⅝ O.D. x ⅜)	378082	1	.02
41-51	ALL. ....	PLUG, filler (1⅛)	1879843	3	.10
51-54	ALL. ....	PLUG, filler (1½)	1917444	3	.10
52-54	PASS. ....	CAP UNIT, sav-a-battery filler (36 caps) .....	986781	A.R.	16.68

<b>2.348 STRAP, Engine Ground</b>						
32-35	BA, CA, CC, DA, DB, DC, EC,					
47-51	COMM., UTIL. (exc. COE),					
52	COMM., UTIL. (exc. D-D, COE, 1 1/2 TON SBC),					
53-54	COMM., UTIL. (exc. D-D, COE, SBC).....	(13 O.L.—1 3/8 dia. holes).....	5286947	1		.88
<b>2.360 KIT, Distributor Repair</b>						
41-48	ALL.....	consists of: 1 each rotor, points, condenser	609949	1		2.31
<b>2.361 DISTRIBUTOR, Ignition</b>						
37-39	ALL.....	(model 1110008).....	1110008	1		12.34
40-49	ALL,					
50-53	ALL w/216.....		1112362	1		12.34
50	ALL w/235.....	(model 1112358).....	1112358	1		12.34
51-52	ALL w/235.....		1112363	1		12.34
53	ALL w/235 (exc. P.G.).....	(part No. on plate).....	1112389	1		13.12
53	PASS. w/P.G.,					
54	ALL (exc. P.G., 261).....	(part No. on plate).....	1112388	1		13.12
54	PASS. w/P.G.....	(part No. on plate) (cast iron gear).....	1112396	1		13.12
54	ALL w/261.....	(part No. on plate) (cast iron gear).....	1112392	1		13.12
<b>2.362 HOUSING, Distributor</b>						
41-48	ALL.....		1882228	1		4.85
<b>2.364 WICK—SPRING—CUP, Distributor Lubricating</b>						
29-49	ALL,					
50-53	ALL w/216.....	WICK, shaft oil (3/16 dia. x 3/32 thick—felt).....	816803	1		.07
50-52	ALL w/235.....	WICK, shaft oil (3/16 dia. x 1/8 thick—felt).....	819639	1		.07
34-54	ALL (exc. DC).....	SPRING, hsg. wick (1/4 O.D. x 7/8 free length).....	1845715	1		.12
40-54	ALL.....	CUP, grease.....	805579	1		.35
<b>2.367 CAP, Distributor</b>						
29-34	ALL (exc. CA, CB, O, DA, DB, P).....	(2 1/2 O.D.).....	1838100	1		1.70
33-52	ALL (exc. CC, DC),					
53	ALL w/216.....	(3 1/8 O.D.).....	824735	1		1.70
53-54	ALL w/235, 261.....	(3 1/8 O.D. x 2 3/8 high).....	1924248	1		1.70
<b>2.368 SPRING, Distributor Cap Retainer</b>						
33-54	ALL (exc. CC, DC).....	(1 1/8 length overall).....	1871839	2		.12
<b>2.369 SUPPORT, Distributor Cap Retainer Spring</b>						
33-54	ALL (exc. CC, DC).....	(square shape).....	1847289	2		.06
<b>2.372 SHAFT, Distributor, with Weight Plate</b>						
38-49	ALL,					
50-53	ALL w/216.....		1861926	1		3.94
50-52	ALL w/235.....		1914437	1		3.94
53	ALL w/235 (exc. P.G.),					
54	ALL w/261.....	(stamped 734).....	1924265	1		3.94
53	PASS. w/P.G.,					
54	ALL (exc. 261).....	(stamped 726).....	1924238	1		3.94
<b>2.374 GEAR, Distributor</b>						
29-36	ALL.....		1857504	1		1.70
47-53	ALL,					
54	ALL (exc. P.G., 261).....		1868180	1		1.57
54	PASS. w/P.G.....	(single groove around outer circumference adjacent to gear teeth).....	1921074	1		1.70
54	UTIL. w/261.....					
<b>2.379 PIN, Distributor Gear Attaching</b>						
34-54	ALL.....	(3/16 dia. x 1/8 length).....	1857502	1		.05





## IGNITION DISTRIBUTOR

**2.381 CAM, Distributor**

41-49	ALL,				
50-53	ALL w/216.....		1882230	1	2.24
50-52	ALL w/235.....		1914440	1	2.24
53	ALL w/235 (exc. P.G.),				
54	UTIL. w/261.....		1924266	1	2.24
53	PASS. w/P.G.,				
54	ALL (exc. 261).....		1924240	1	2.24

**2.382 ROTOR, Distributor**

29-34	ALL (exc. CA, CB, O, DA, DB, P).....	( $\frac{3}{4}$ length metal arm).....	816774	1	.52
33-52	ALL (exc. CC, DC),				
53	ALL w/216.....	( $1\frac{5}{16}$ length metal arm).....	820445	1	.52
53-54	ALL w/235, 261.....	( $1\frac{3}{8}$ length metal arm).....	1924245	1	.46

**2.384 POINT UNIT, Distributor (consists of 1 breaker arm and 1 support with points)**

29-34	ALL (exc. CA, CB, O, DA, DB, P).....		1855520	1	1.29
33-40	ALL (exc. CC, DC),				
48	ALL (w/out reversing switch),				
49-52	ALL,				
53	ALL w/216.....		1855720	1	1.29
41-47	ALL,				
48	ALL (w/reversing switch).....		1882391	1	1.29
53-54	ALL w/235, 261.....		1924571	1	1.49

**2.385 PLATE, Distributor Breaker**

33-40	ALL (exc. CC, DC),				
48-54	ALL.....	(3 circle dia.).....	1847643	1	.73
41-48	ALL.....	( $2\frac{1}{8}$ circle dia.).....	1883370	1	.73

**2.387 SCREW, Distributor Contact Point Support Clamp**

29-54	ALL.....	(No. 8-32 x $\frac{3}{16}$ - $\frac{1}{2}$ dia. sltd. hd.).....	816784	1	.06
-------	----------	---	--------	---	-----

**2.388 WEIGHT, Distributor**

40-52	ALL,				
53	ALL w/216.....		1879063	2	.42
53	ALL w/235 (exc. P.G.),				
54	UTIL. w/261.....		1881371	8	.34
53	PASS. w/P.G.,				
54	ALL (exc. 261).....		1882907	1	.34

**2.389 SPRING, Distributor Weight**

37-39	ALL.....		1867119	2	.13
40	ALL.....		822218	2	.13
41-49	ALL,				
50-53	ALL w/216.....	(.680 free length).....	1882595	2	.13
50-52	ALL w/235.....	(.745 free length).....	1912127	2	.13
53	ALL w/235 (exc. P.G.),				
54	UTIL. w/261.....	(.683 free length).....	1922426	2	.13
53	PASS. w/P.G.,				
54	ALL (exc. 261).....	(.729 free length).....	1906766	2	.13

**2.390 COVER-PLATE, Distributor Weight and Cam, with Stop**

36-52	ALL,				
53	ALL w/216.....	COVER (has two $\frac{3}{16}$ attach. holes).....	1862074	1	.37
53-54	ALL w/235, 261.....	PLATE (has four $\frac{3}{16}$ attach. holes).....	1885557	2	.37

**2.393 CONDENSER, Distributor, with Bracket and Lead**

29-34	ALL (exc. CA, CB, O, DA, DB, P).....		1869706	1	.72
33-53	ALL (exc. CC, DC) (1st type).....	(.2 MFD. capacity).....	1869704	1	.72
53-54	ALL (2nd type).....	spade type term. (.2 MFD. capacity).....	1928111	1	.72

### 2.400 STUD, Distributor Terminal

33-50	ALL (exc. CC, DC)	(No. 8—32 thd. both ends x 1 1/4 overall)	1847647	1	.13
41-48	ALL	ground (No. 8—32 thd. both ends x 1/8 O.L.)	1882244	1	.14
51-52	ALL				
53	ALL w/216	terminal (1 5/8 O.L. thds. both ends)	1916806	1	.14
53-54	ALL w/235, 261	(5/16 hd.—thds. one end—1 5/8 O.L.)	1924371	1	.13

### 2.401 INSULATION—BUSHING—WASHER—NUT, Distributor Terminal

41-48	ALL	INSULATION (strip—semi-circle—2 5/8 dia.)	1882243	1	.14
29-32	ALL	BUSHING, stud (3/16 I.D. x 1 1/2 O.D. x 1/16 shldr. dia.)	1841968	1	.13
33-50	ALL	BUSHING, stud (3/16 I.D. x 3/16 x 3/16 w/ 1/4 square)	1878405	1	.13
51-52	ALL				
53	ALL w/216	BUSHING, term. stud (inside)	1916805	1	.13
51-52	ALL				
53	ALL w/216	BUSHING, term. stud (outside)	1914142	1	.13
53-54	ALL w/235, 261	BUSHING, term. stud (inside)	1924369	1	.13
53-54	ALL w/235, 261	BUSHING, term. stud (outside)	1924370	1	.13
33-50	ALL	WASHER, stud insul. (3/16 I.D. x 3/16 O.D. x 1/16)	1882247	1	.06
33-50	ALL	WASHER, stud steel (3/16 I.D. x 3/16 O.D. x 1/16)	810794	1	.06
40-50	ALL	WASHER, stud outside steel (3/16 I.D. x 3/16 O.D. x 1/16)	813731	1	.06
51-54	PASS., D-D				
41-48	ALL	WASHER, grd. stud insul. (3/16 I.D. x 3/16 O.D. x 1/16—w/1/4 dia. shldr.)	1885616	1	.06
41-48	ALL	NUT, cap sprg. supt. screw (No. 8—32)	1882246	2	.12
53-54	ALL w/235, 261	NUT (round)	1924372	1	.06

### 2.410 CONTROL, Distributor Vacuum

33-34	ALL (exc. DA)	less bracket and control arm	1847261	1	2.07
34-36	DA, F, R (also econ. eng. on E)	less bracket and control arm	1854040	1	2.07
35	ALL (exc. econ. eng.)	less bracket and control arm	1858725	1	2.07
37-38	ALL (use 1865961 coupling for 1/8 pipe)	less bracket and control arm	1872825	1	2.07
39-51	ALL				
52-54	COMM., UTILITY	w/bracket	1909343*	1	2.07
52	PASS.,				
53	SDL	(complete) (stamped 061)	1116061	1	2.32
53-54	PASS. w/235	(complete) (stamped 076)	1116076	1	2.32

\*NOTE: When using 1909343 use 1866166 coupling.

### 2.413 BRACKET, Distributor Vacuum Control Mounting

37-38	ALL	w/adj. screw (does not show advance degrees)	1865155	1	.54
-------	-----	--	---------	---	-----

### 2.414 ARM, Distributor Vacuum Control Clamp

37-38	ALL		1865154	1	.54
39-51	ALL				
52-54	COMM., UTILITY		1873369	1	.32
52-54	PASS.		1918888	1	.54

### 2.416 SPRING, Distributor Vacuum Control Diaphragm

41-52	ALL				
53	SDL, COMM., UTIL.				
54	COMM., UTIL.	(3/16 O.D. x 2 3/8 free length x 9 coils)	1881777	1	.20
53-54	PASS. w/235	(1/2 O.D. x 2 1/8 free length x 12 coils)	1925529	1	.20

### 2.417 SCREW, Distributor Vacuum Control

37-51	ALL	control rod (No. 10—32 x 1 1/2—1/4 dia. shldr.)	1865159	1	.05
52-54	COMM., UTILITY				

### 2.420 COUPLING—PIPE, Distributor Vacuum Control

37-38	ALL (for 1/8 pipe)	(3/16—24 int. x 5/8—18 ext.)	1865961	1	.61
38-42	ALL (for 3/16 pipe)	(3/8—24 int. x 5/8—18 ext.)	1866166	1	.61
46-54	ALL (for 1/4 pipe)	(3/8—24 int. x 5/8—18 ext. x 3/4 hex.)	1883027	1	.61



**PIPE, Distributor Vacuum Control Section (cut from 3/16 coil tubing, group 8.964)**

		Length			Length
38	ALL (w/3/16 pipe)	52 1/8	41-42	YT, MT, MY	53 1/16
39	ALL	53 1/16	46-52	ALL (exc. D-D, COE, SBC, KK, KJ)	47 1/4
40	ALL (exc. WC, COE)	52 1/16	46-53	D-D, COE, SBC,	
40	WC	57 3/16	54	D-D, SBC	53 1/16
40-42	COE	50	52-54	PASS.	52 1/16
41-42	ALL (exc. YT, MT, MY, COE)	47 3/4	53-54	COMM., UTIL. (exc. D-D, COE, SBC)	45
			54	COE	61

**2.421 GASKET, Distributor Vacuum Control Coupling**

33-54	ALL	(3/8 I.D. x 1/16 O.D.)	1841901	1	.06
-------	-----	------------------------	---------	---	-----

**2.447 SWITCH, Tail and Stop Lamp**

32-36	ALL (exc. CA, DA, EA, ED, FA, FD)	(letter "Y" stamped on lever)	1842695	1	1.54
33-36	CA, DA, EA, ED, FA, FD	(letter "L" stamped on lever)	1847089	1	1.54
36-40	ALL				
41-42	COE	(hyd. type—screw on term.)	403936	1	.67
41	ALL (exc. COE),				
42	COMM., UTIL. (exc. COE),				
54	PASS. w/P.G., P.B.	(hyd. type—snap on term.)	1997725	1	.77
42-50	ALL				
51-54	COMM., UTILITY	(mech. type—snap on term.)	1997901	1	1.18
37-51	PANEL, SUBURBAN w/DOOR	door half (w/plunger)	594904	1	.60
37-51	PANEL, SUBURBAN w/DOOR	body half	594905	1	.50
51-54	PASS.	(mech. type—snap on term.)	1997913	1	1.18

**2.453 SCREW, Stop Lamp Switch Terminal**

36-49	ALL	(No. 5—40 x 3/16)	403949	2	.05
-------	-----	-------------------	--------	---	-----

**2.459 SWITCH—CONTROL UNIT, Headlamp Dimmer**

29-54	ALL	(3 length overall)	1997008	1	1.34
53	PASS.	automatic headlamp control aux.	5943291	1	1.90
54	PASS.	automatic headlamp control aux.	5945230	1	1.70
53-54	PASS.	CONTROL UNIT, automatic headlamp	986804	1	44.25
53-54	PASS.	RELAY ASSY., power	5945188	1	4.00

**2.461 AMPLIFIER PARTS, Automatic Headlamp Control**

53-54	ALL	VIBRATOR ASSY.	5943336	1	4.60
53-54	ALL	TRANSFORMER	5943314	1	5.65
53-54	ALL	RELAY	5943859	1	4.00
53-54	ALL	CONDENSER, electrolytic (50 V.D.C.)	5943323	1	.95
53-54	ALL	POTENTIOMETER, ratio control	5943316	1	.80
53-54	ALL	POTENTIOMETER, high voltage control	5943317	1	.80
53-54	ALL	POTENTIOMETER, amplifier	5944783	1	1.50
53-54	ALL	TUBE, amplifier (12AU7)	5943333	1	2.40
53-54	ALL	TUBE, rectifier	5943334	1	2.45
53-54	ALL	TUBE, ballast	5944545	1	2.45
53-54	ALL	GASKET, amplifier cover	5943337	1	.25

**2.463 PHOTOTUBE, Automatic Headlamp Control**

53-54	ALL	PHOTOTUBE	5943346	1	13.00
53-54	ALL	BANK, register, w/socket	5943524	1	3.00
53-54	ALL	LENS	5943351	1	.25
53-54	ALL	FILTER	5943350	1	.10
53-54	ALL	MASK	5943300	1	.10
53-54	ALL	GASKET, brkt. mtg.	5944527	1	.15
54	ALL	PAD, bracket mounting	5942678	1	.10

**2.483 BLOCK—COVER, Fuse and Junction**

47-49	COMM., UTILITY	BLOCK (10 terminals)	1998773	1	2.01
49-50	PASS.				
54	PASS. w/P.G., P.B.	BLOCK (5 terminals)	1998776	1	.37
50-54	COMM., UTILITY	BLOCK, fuse (4 terminals, with cover)	1998781	1	1.64
53-54	PASS.	BLOCK (8 fuse terminals) (4 non-fuse terminals)	986530	1	1.75
47-49	COMM., UTILITY	COVER	3633619	1	.55
50-54	COMM., UTILITY	COVER	1915124	1	.60

**2.485 SWITCH, Lighting (see group 2.314 for resistance)**

30-39	ALL				
40-46	COMM., UTILITY	(w/term. screws, less fuse)	1995040	1	2.21
40-47	PASS.	(snap-on term., less fuse)	1995041	1	3.45
47	COMM., UTILITY,				
48-54	ALL	(w/term. screws, less fuse)	1995048	1	3.45

**2.486 ROD, Lighting Switch, with Knob**

30-40	ALL				
41-46	COMM., UTILITY	(for use w/1995040 universal switch)	1990686	1	.61
39	COMM., UTIL.,				
40-46	COMM., UTIL. (FFC.)		599352	1	.38
39	PASS.,				
40-46	COMM., UTIL. (exc. FFC.)		350564	1	.38
40	KA, KB, KH (STA. WAG. on KB)		3653818	1	.33
40	KB (exc. STA. WAG.),				
41-47	PASS.		3665094	1	.38
47-53	COMM., UTIL.,				
54	FLAT FACE COWL		1990661	1	.38
48	FI		1990667	1	.38
48-49	FK, GJ, GK		1990662	1	.38
50	HJ		1990690	1	.38
50	HK		1990689	1	.38
51-52	IJ, KI		1990697	1	.35
51-52	JK, KK	(stainless steel insert)	1990696	1	.35
53-54	PASS.		1990723	1	.45

**2.487 FERRULE, Lighting Switch Rod**

40-48	PASS.,				
49-54	ALL	( $\frac{3}{8}$ -24 thd. - $\frac{3}{4}$ O.D. x $\frac{1}{2}$ length overall)	1910441	1	.27

**2.489 PLATE—CLIP, Lighting Switch Fuse**

35	EA, ED	PLATE, w/three term. studs	857969	1	.69
36-38	ALL	PLATE, amm. (1 $\frac{1}{8}$ wide—fibre)	1500011	1	.14
36-38	ALL	CLIP (1 $\frac{1}{2}$ wide x 1 length overall)	1500012	2	.14

**2.500 REGULATOR, Voltage and Current Control (output relay listed in group 2.319)**

		EXCHANGE ITEM			
37-39	ALL	(stamped 1118309)	1118309*	1	8.69
40-52	ALL	(stamped 1118301)	1118301*	1	10.80
48-54	ALL (w/1924340 generator)	(stamped 1118334) (50 amp.)	1118334*	1	13.96
48-54	ALL (w/1924340 generator)	(stamped 1118390) (55 amp.)	1118390*	1	13.96
49-52	ALL (w/1102717 generator)	(stamped 1118300) (40 amp.)	1118300*	1	10.80
52	ALL w/1100013	(stamped 1118720) (37 amp.)	1118720*	1	10.80
52-54	ALL w/1105002—1105009	(stamped 1118721) (40 amp. low cut-in)	1118721*	1	12.89
52-54	ALL w/1102786—1100018—1102785	(stamped 1118725) (48 amp.)	1118725*	1	10.80
52-54	ALL w/1105001—1105008	(stamped 1118722) (50 amp.)	1118722*	1	12.89
53-54	ALL w/1106976	(stamped 1118942) (55 amp. low cut-in)	1118942*	1	11.83

\*Exchange Price Shown. Add .75 to prices if used Chevrolet Voltage Regulator Assembly is not exchanged.

**2.515 AMMETER**

29-32	ALL	(part No. on face)	857053	1	2.26
33-35	CA, CB, O, DE, F, EB, Q		857585	1	2.26
33-35	CC, DC, EC	(w/case and glass)	857787	1	3.90
36	FC	(w/fuse holder, less fuse)	857806	1	2.74
34-35	DA, EA, ED,				
36	ALL (exc. FC),				
37-39	COMM., UTIL. (exc. COE),				
40-46	FLAT FACE COWL		857807	1	2.69
37-38	GA, GB, HA, HB, (CONV. on GB, HB)		857848	1	2.69
37-38	GB, HB (exc. CONV.)		857852	1	2.26
39	PASS.	(light dial w/red pointer)	857875	1	2.26
40	ALL (exc. WC),				
41-46	COMM., UTIL. (exc. YF, MT, MY)	(dark brown trim)	1500358	1	2.69
41	PASS.		1500381	1	2.69

42-48	PASS.		1500969	1	2.69
47-49	COMM., UTILITY		1500928	1	2.69
49-50	PASS.		1501270	1	2.69
49-53	COMM., UTIL.				
54	FLAT FACE COWL		1501198	1	2.69
51-52	PASS.		1501235	1	1.98
53-54	PASS.		1501349	1	2.69
54	COMM., UTIL. (exc. FTC)		1501471	1	1.88

**2.521 INSULATOR, Ammeter**

39	ALL (exc. COE),				
40-46	COMM., UTIL. (FTC),				
46-54	ALL (exc. CK, DP, DR, DS, O, P)	( $\frac{3}{4} \times 1\frac{1}{16} - \frac{1}{32}$ thick)	857982	1	.12

**2.525 WIRES, Starting, Ignition**

34-35	PASS. (exc. DC, EC),				
36-40	ALL (exc. COE)	amm. to stg. switch (48 1/2 length—two screw type term.)	1878769	1	.76
41-46	COMM., UTIL. (exc. COE)				
41-46	PASS. (exc. CONV. on BH, DK)	amm. to stg. switch and horn relay (54 1/2 length—two screw type term.—horn lead 28 1/4 with spade type term.)	1881862	1	.90
47-48	PASS. (exc. CONV.)	amm. to stg. switch and horn relay (55 length—two screw type term), coil to ignition switch (65 length—two spade type terms., horn lead 31 with spade type term)	5288255	1	2.55
47-54	COMM., UTIL. (exc. D-D, COE, A.T.)	amm. to starting switch and coil	5299880	1	1.25
47-53	COE	amm. to starting switch and coil	5299885	1	2.65
48-54	DUBL-DUTI (exc. A.T.)	amm. to starting switch	5299919	1	4.00
49-50	PASS. (exc. P.G.)	amm. to starting switch	5288801	1	2.50
50	PASS. w/P.G.	amm. to starting switch	3693342	1	4.95
51-52	PASS. (exc. P.G.)	amm. to starting switch	3695267	1	3.00
51-52	PASS. w/P.G.	amm. to starting switch	3695202	1	4.00
53-54	PASS. (exc. P.G.)	amm. to starting switch	5299867	1	2.50
53-54	PASS. w/P.G.	amm. to starting switch	5299869	1	4.00
54	COMM. w/A.T. (exc. D-D)	amm. to starting switch	2960219	1	4.00
54	DUBL-DUTI w/A.T.	amm. to starting switch	2960335	1	4.00
54	COE	amm. to starting switch (61 long)	5296235	1	2.65
47-48	COMM., UTIL. (exc. 1/2 TON, SBC, COE)	gas tank to gas meter (87 length—one plug and one screw type term.)	5287549	1	.48

**2.530 CABLE—LOOM—TERMINAL—CONNECTOR, Electrical (also see group 2.241)**

ALL	ALL	(100 ft. spool—No. 14 insul.)	1847837	A.R.	8.30
ALL	ALL	(100 ft. spool—No. 16 insul.)	1847835	A.R.	6.40
ALL	ALL	LOOM (3/16 x 50 ft. coil)	1846571	A.R.	5.00
ALL	ALL	LOOM (1/4 x 50 ft. coil)	1846572	A.R.	5.50
49-54	ALL	TERMINAL (w/5289849)	5288026	A.R.	.03
49-54	ALL	CONNECTOR (w/5288026)	5289849	A.R.	.17

**2.540 SUPPORT, Headlamp**

37	PASS.	(2 1/8 x 9 3/16 base size)	595471	2	1.94
36	PASS.,				
37	COMM., UTIL.	L. (2 1/2 x 6 1/16 base size)	595429	1	1.82
36	PASS.,				
37	COMM., UTILITY	R. (2 1/2 x 6 1/16 base size)	595430	1	1.82
38	COMM., UTILITY	L. (2 5/8 x 7 3/16 base size)	598009	1	1.82
38	COMM., UTILITY	R. (2 5/8 x 7 3/16 base size)	598010	1	1.82
39-40	COMM., UTILITY (exc. COE)	L. (2 5/8 x 6 1/2 base size)	350777	1	1.82
39-40	COMM., UTILITY (exc. COE)	R. (2 5/8 x 6 1/2 base size)	350778	1	1.82

**2.548 NUT, Headlamp Bolt**

41-46	PASS.,				
47-54	ALL	(No. 10—12—J type for ground)	3696396	16	.02



**2.555 HARNESS, Chassis Wiring (see group 13.090 for body wiring harness)**

33-36	CA, CC, DA, DC, EC, FA, FC, FD		5288754	1	8.42
34-35	DB, EB		1853860	1	8.75
34-35	P, Q		1853862	1	7.95
35	EA, ED		1859006	1	8.75
36	R (hyd. brakes)		1863419	1	8.50
37	BUS. CPE., SDL		1865875	1	7.65
37-38	½ TON		1865315	1	9.30
37-38	GD, GE, HD, HE		1871888	1	8.75
37-38	S, T		1865317	1	9.50
37	PASS. (exc. BUS. CPE., SDL.)				
38	PASS.		5288755	1	8.42
39	PASS.		1873702	1	8.42
39	½ TON		1872970	1	8.25
39	JD, JE		1872971	1	8.75
39	V (exc. COE)		1872973	1	9.50
39	COE		1877740	1	9.45
40	PASS.		1878860	1	8.42
40	KC, KD, KE, KF, WA, WB (exc. FFC)		1879561	1	9.50
40	KC, KD, KE, KF, WA, WB, WC (FFC)		1879559	1	8.25
40	COE		1879717	1	8.75
41-42	AK, AL, AM, AN, YR, YS, BK, BL, BM, BN, MR, MS (exc. FFC) (w/hyd. stop light switch)		1881854	1	8.42
41-42	COMM., UTIL. (exc. COE) (FFC) (w/hyd. stop light switch)		1881856	1	9.50
41-42	COE (w/hyd. stop light switch)		1882505	1	8.75
41-48	PASS.		5288756	1	10.77
42-46	COE	less tail and stop lamp ext. wire	5284493	1	8.75
42-46	COMM., UTIL. (exc. COE) (FFC)	less tail and stop lamp ext. wire	5284502	1	7.54
42	BK, BL, BM, BN, MR, MS (exc. FFC) (w/mech. stop light switch)				
46	COMM., UTIL. (exc. FFC, COE)	less tail and stop lamp ext. wire	5284496	1	7.54
47-49	COMM., UTIL. (exc. D-D, COE)	front, from fuse block forward	5288864	1	4.43
47-49	COE	front, from fuse block forward	5287629	1	4.43
48-49	DUBL-DUTI	front, from fuse block forward	5288434	1	5.00
48-49	DUBL-DUTI	rear, from fuse block to rear	5289140	1	8.77
47-49	COMM., UTIL. (exc. D-D, COE)	rear, from fuse block to rear	3692031	1	9.17
47-49	COE	rear, from fuse block to rear	3692033*	1	10.15
49-50	PASS.		5290967	1	12.00
50-53	COMM., UTIL. (exc. D-D, COE)		5299874	1	9.50
50-54	DUBL-DUTI		2960500	1	10.50
50-53	COE		5299916	1	10.50
51-52	PASS.		3695265	1	9.72
53	PASS.		5299861	1	10.85
54	PASS.		2960849	1	10.85
54	COMM., UTIL. (exc. D-D, COE)		2960053	1	8.75
54	COE		2960052	1	9.50
54	COMM., UTIL. (exc. D-D)	(used between headlamp junction blocks)	2960051	1	1.25

\*NOTE: When using 3692033 on 1947-48 COE models, it may be necessary to replace connectors and terminals for gas tank, stop lamp and tail lamp.

**2.559 CLIP, Headlamp Wire Junction Block**

52	ALL (exc. PASS., D-D)				
53-54	ALL		3701417	4	.03

**2.560 BLOCK, Headlamp Wire Junction**

37-39	PASS.				
40-53	COMM., UTILITY	(3 term.—2 <sup>15</sup> / <sub>16</sub> length)	1865535	2	.37
40-54	PASS.	(4 term.—3 <sup>1</sup> / <sub>2</sub> length)	1998756	2	.37
54	COMM., UTIL.	(4 term.—red base)	1998792	2	.37

**2.585 LAMP ASSEMBLY, Parking (complete with bulb)**

37-39	ALL (exc. COE) (special equ.)	(mounts on fender—11 <sup>3</sup> / <sub>8</sub> length overall)	916957	2	8.30
40	ALL (exc. COE)	(5 <sup>7</sup> / <sub>8</sub> length overall)	916998	2	4.52
41	PASS.	L. (2 <sup>1</sup> / <sub>4</sub> x 4 overall rim size)	916371	1	4.40

41	PASS.	R. (2 $\frac{1}{8}$ x 4 overall rim size)	916372	1	4.40
41	COMM., UTILITY	(16 $\frac{1}{4}$ length overall)	917012	2	6.05
42	PASS.	L. (3 $\frac{1}{8}$ x 7 overall face size)	917061	1	6.45
42	PASS.	R. (3 $\frac{1}{8}$ x 7 overall face size)	917062	1	6.45
46	PASS.	L.	928503	1	7.74
46	PASS.	R.	928504	1	7.74
47-48	PASS.	L.H. (12 $\frac{3}{16}$ O.L.)	928515	1	5.71
47-48	PASS.	R.H. (12 $\frac{3}{16}$ O.L.)	928516	1	5.71
47-53	COMM., UTILITY	(2 x 6 $\frac{1}{8}$ O.L.)	928665	2	3.90
49	PASS.	round (3 $\frac{1}{8}$ dia.)	928841	2	4.31
50	PASS.	round (3 $\frac{1}{8}$ dia.)	928860	2	4.62
51	PASS.	L.H. (oblong)	928693	1	5.12
51	PASS.	R.H. (oblong)	928694	1	5.12
52	PASS.	L.H. (oblong)	928763	1	5.31
52	PASS.	R.H. (oblong)	928764	1	5.31
53	PASS.	round (4 $\frac{3}{8}$ dia.—stmpd. F1-S3)	897381	2	3.69
54	PASS.	(oblong) (3 $\frac{1}{8}$ x 2 $\frac{3}{4}$ )	897469	2	3.55
54	COMM., UTIL.	(4 $\frac{1}{8}$ x 5 $\frac{1}{8}$ )	897429	2	3.79

### 2.586 COVER—BODY—HOUSING—INSERT, Parking Lamp

41	COMM., UTILITY	COVER (13 $\frac{3}{8}$ O.L.—stamping)	5931651	2	.60
41-46	COMM., UTILITY	BODY (16 O.L.) (SEE NOTES group 2.725)	5932996	2	1.25
53	PASS.	HOUSING, L.H.	3701869	1	4.65
53	PASS.	HOUSING, R.H.	3701870	1	4.65
53	PASS.	INSERT, housing	3698144	8	.12

### 2.587 BRACKET—NUT, Parking Lamp

53	PASS.	L.H. (four $\frac{3}{8}$ holes—stamped L)	3701633	1	.10
53	PASS.	R.H. (four $\frac{3}{8}$ holes—stamped R)	3701634	1	.10
41-46	COMM., UTILITY	NUT, speed, body ( $\frac{3}{2}$ x 1 $\frac{1}{2}$ for No. 6—18 screw)	5932322	4	.05
51-52	PASS.	NUT, attach. (10-12-1 type for ground)	3695396	6	(2.548)

### 2.589 LENS, Parking Lamp

40	ALL (exc. COE)	(2 $\frac{1}{8}$ O.D.—clear glass)	924954	2	.57
41	PASS.	(1 $\frac{3}{4}$ x 3 $\frac{1}{8}$ overall)	5935778	2	.62
41	COMM., UTILITY	(1 $\frac{1}{2}$ x 4 overall—marked "RE")	5930136	2	1.48
41-46	COMM., UTILITY	(1 $\frac{3}{4}$ x 2 $\frac{1}{8}$ overall—molded 5932997)	5932997	2	.48
42	PASS.	L. (glass—2 $\frac{3}{8}$ x 3 $\frac{5}{8}$ overall)	5933885	1	.57
42	PASS.	R. (glass—2 $\frac{3}{8}$ x 3 $\frac{5}{8}$ overall)	5933886	1	.57

NOTE: 1942 Lucite lens not available. Replace with door/lens unit in Group 2.593.

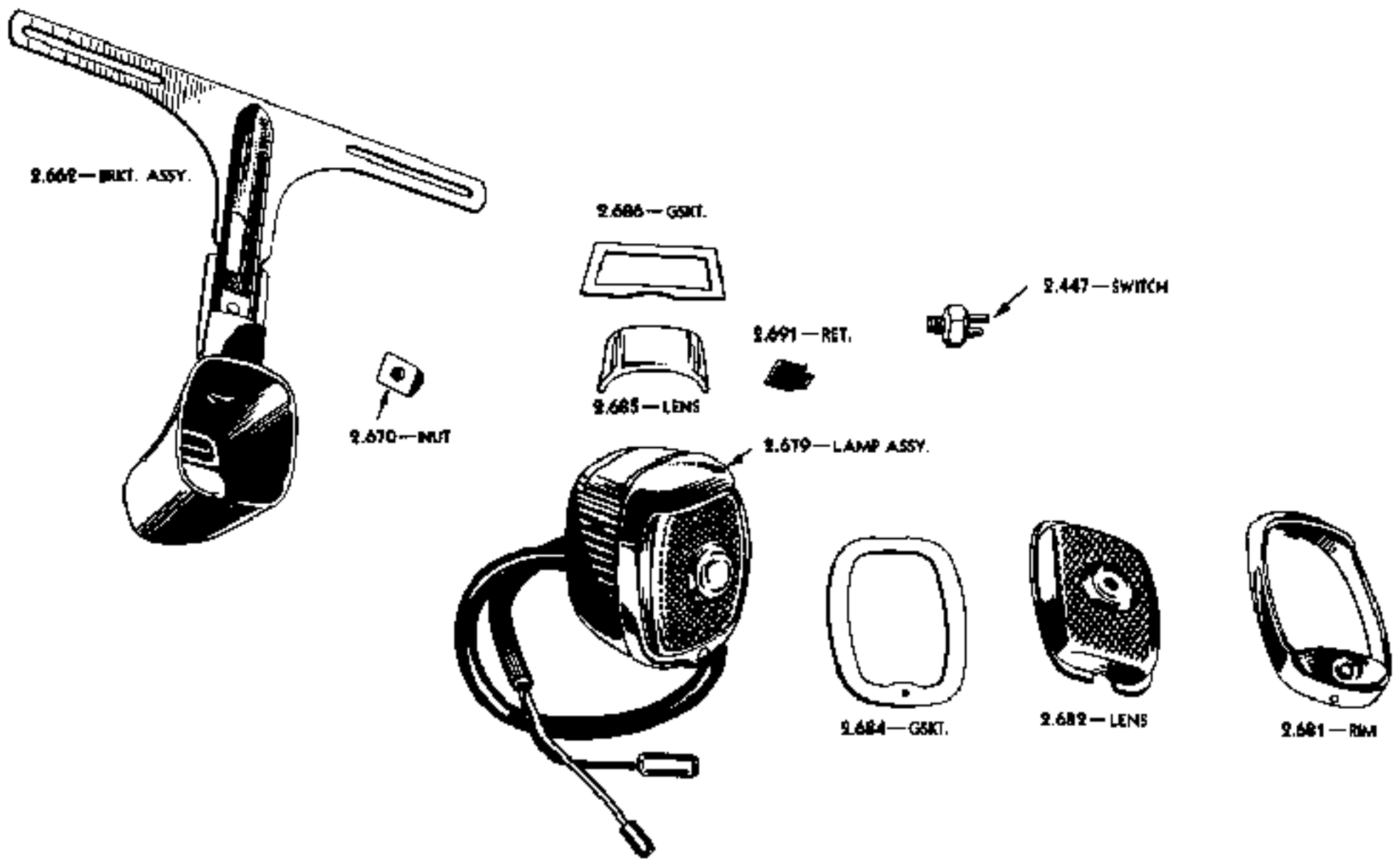
46	PASS.	(molded 5936030)	5936030	2	1.00
47-48	PASS.	left (molded 5936809)	5936809	1	.76
47-48	PASS.	right (molded 5936810)	5936810	1	.76
47-53	COMM., UTILITY	(1 $\frac{3}{4}$ x 4 $\frac{1}{8}$ O.L.)	5936802	2	.45
49	PASS.	(molded 5938155)	5938155	2	.57
50	PASS.	(molded 5939299)	5939299	2	.55
51	PASS.	(mld. 5939934—4 $\frac{1}{4}$ long) (cast type lamp)	5939934	2	.50
51	PASS.	(mld. 5940853—4 $\frac{3}{8}$ long—use w/stamped steel type lamp)	5940853	2	.40
52	PASS.	(molded 5943032—7 $\frac{5}{16}$ long)	5943032	2	.88
53	PASS.	(3 $\frac{5}{8}$ dia.—molded F1-S3)	5943220	2	.45
54	PASS.	(molded F1-S4)	5942343	2	.45
54	COMM., UTIL.	(molded 51A-54 and 5942151)	5942151	2	.52

### 2.590 GASKET, Parking Lamp Lens

40	ALL	(1 $\frac{1}{8}$ I.D. x 2 $\frac{1}{4}$ O.D.)	922758	2	.05
41	PASS.	(1 $\frac{3}{4}$ x 3 $\frac{1}{8}$ overall)	5931549	2	.12
41	COMM., UTILITY	(1 $\frac{1}{2}$ x 4 overall)	5930153	2	.05
41-46	COMM., UTILITY	(1 $\frac{3}{4}$ x 2 $\frac{1}{8}$ overall)	5932999	2	.05
42	PASS.	(2 $\frac{5}{8}$ x 3 $\frac{3}{4}$ overall)	5932935	2	.15
46	PASS.	(1 $\frac{1}{4}$ x 5 $\frac{5}{8}$ overall)	5936031	2	.15
47-48	PASS.	(2 x 6 $\frac{1}{4}$ O.L.)	5936808	2	.17
47-53	COMM., UTILITY	(1 $\frac{5}{16}$ x 4 $\frac{5}{16}$ O.L.)	5936804	2	.17
49-50	PASS.	(2 $\frac{1}{2}$ I.D. x 3 $\frac{1}{4}$ O.D. x $\frac{3}{16}$ )	5938157	2	.11
51	PASS.	(rubber—oblong)	5939935	2	.17

52	PASS.		5943033	2	.26
53	PASS.	(rubber 3 $\frac{3}{4}$ O.D. x $\frac{5}{16}$ thk.)	5943221	2	.21
54	PASS.	(2 $\frac{3}{4}$ x 6 $\frac{3}{4}$ )	5942344	2	.33
54	COMM., UTIL.	(2 $\frac{1}{2}$ x 4 $\frac{1}{2}$ )	5942153	2	.33
	Not required in this group. See group 2.697		5935956	A.R.	.17
<b>2.591 NUT, Parking Lamp Lens Retainer</b>					
46	PASS.	(speed nut—.125 stud)	5936036	4	.05
<b>2.593 DOOR, Parking Lamp</b>					
40	ALL (exc. COE)	less glass (1 $\frac{7}{8}$ I.D. x 2 $\frac{3}{8}$ O.D.)	5930230	2	1.07
41	PASS.	less glass (2 $\frac{1}{2}$ x 4 overall)	5931551	2	.62
42	PASS.	L., w/glass (3 $\frac{1}{8}$ x 7 overall)	929841	1	1.45
42	PASS.	R., w/glass (3 $\frac{1}{8}$ x 7 overall)	929842	1	1.45
47-53	COMM., UTILITY	less glass (2 x 6 $\frac{1}{2}$ O.L.)	5941109	2	.81
51	PASS.	L., w/lens	5943739	1	3.74
51	PASS.	R., w/lens	5943740	1	3.74
52	PASS.	L., less glass	5942983	1	3.14
52	PASS.	R., less glass	5942984	1	3.14
53	PASS.	less glass (4 $\frac{3}{8}$ O.D.)	5943222	2	1.43
54	PASS.	(cast 5942334)	5942334	2	1.11
<b>2.594 SCREW—NUT, Parking Lamp Door</b>					
40	ALL (exc. COE)	(rd. sltd. hd. No. 8—32 x 1)	923315	2	(2.688)
41	PASS.	(bdg. sltd. hd. No. 8—20 x $\frac{1}{4}$ )	5933212	2	(2.688)
54	COMM., UTIL.	(No. 8—32 x 1 $\frac{1}{4}$ )	5942152	2	.11
42	PASS.	NUT, door sleeve (flat sltd. hd. No. 10—24)	5932936	4	.10
46	PASS.	NUT, sleeve (flat sltd. hd. No. 10-24)	5936032	4	.17
<b>2.596 HARNESS, Parking Lamp Wire</b>					
41	PASS.	(socket and wire—28 overall)	5931907	2	.77
41	COMM., UTILITY	(socket and wire—10 $\frac{1}{4}$ overall)	5931657	2	.21
42-48	PASS.	(socket and wire—31 $\frac{3}{8}$ overall)	5933167	2	.67
49-52	PASS.	(socket and wire—18 $\frac{1}{4}$ overall)	5943620	2	.83
<b>2.660 PAD, Tail Lamp and License Bracket (also see group 2.703)</b>					
40	KA, KB, KH (exc. SDL., STA. WAG.)	(sponge rubber 2 $\frac{1}{8}$ x 4 $\frac{3}{8}$ overall)	3654478	1	.06
41-48	ALL PASS. (exc. SDL., STA. WAG.)	(rubber 2 $\frac{5}{16}$ x 6 overall)	3657835	2	.18
41-48	FLTLN. 4-DOOR	L. (rubber 2 $\frac{3}{4}$ x 6 overall)	3662259	1	.33
41-48	FLTLN. 4-DOOR	R. (rubber 2 $\frac{3}{4}$ x 6 overall)	3662260	1	.33
47-54	PANEL, SUB. w/doors	(rubber 4 x 5 $\frac{1}{2}$ overall)	3676259	1	.33
47-54	CAN. EXP., SUB. w/end gate	(rubber, 4 $\frac{3}{4}$ O.D.)	3688479	1	.27
49-50	PASS. (exc. SDL., STA. WAG.)	(rubber—3 x 6 $\frac{5}{8}$ overall)	3688069	2	.35
51-52	PASS. (exc. SDL., STA. WAG.)	(rubber 3 $\frac{1}{2}$ x 6 $\frac{5}{8}$ overall)	3695952	2	.33
<b>2.662 BRACKET, Tail Lamp (also see groups 2.670 and 2.700)</b>					
31-39	COMM., UTIL. (exc. COE) (not used w/ PANEL)	w/license bracket	369020	1	.71
NOTE: When installing 369020 on 1931-36 LT, M, N, O, DB, P, EB, Q, FB, R jobs use 348356 SUPPORT. 369020 also used on 1934-36 P, Q, R jobs with frame extension.					
35	EA, ED (T. SED., S. SED.)	L., w/license bracket	378893	1	1.23
35-36	EA, ED, FA, FC, FD (exc. T. SED., S. SED.)	L., w/license bracket	378895	1	3.26
36	T. SED., S. SED., CPE. PICKUP	L., w/license bracket	477175	1	3.71
37-38	CPES., CONV.	L., w/license bracket	595565	1	3.26
37-38	CPES., CONV.	R., less license bracket	602328	1	1.23
37-38	T. SED., S. SED.,				
37-48	SDL.	L., w/license bracket	595567	1	3.71
37-38	T. SED., S. SED.	R., less license bracket	602330	1	1.32
37-39	COA., SED.	L., w/license bracket	595569	1	2.34
37-39	PANEL, SUB. w/door	w/license bracket	595887	1	.66
40-46	PANEL, SUB. w/door	w/license bracket	604291	1	.50
40-46	CANOPY EXPRESS, SUB. w/gate	w/license bracket	604292	1	.50





## TAIL AND STOP LAMP

40-48	CPE. PICK-UP,				
40-46	CCAB, BN, DS, w/EXP. body,				
40-53	UTIL. (exc. WA, YH, MH, MY, OR, OW),				
47-48	EP, ER, FP, FB (CCAB),				
47-50	ES, FS, GS, HS (exc. SGL. UNIT),				
49-53	1/2, 1 TON (PLATFORM),				
51-53	1 TON (CCAB, FFC).....	w/license bracket.....	604293	1	.55
40-42	STA. WAG.,				
40-48	COMM., UTILITY.....	R., less license bracket.....	604235	1	.25
42-46	BK, CK, DP (PICK-UP w/hinge type lamp)	(body bracket only).....	3665172	1	2.52
47-54	CAN. EXP., SUB. w/end gate.....	inner (body bracket only).....	3692145	1	.78
41-48	STA. WAG.....	L. (body bracket only).....	3660511	1	2.18
41-48	STA. WAG.....	R. (body bracket only).....	3660512	1	2.18
41-48	STA. WAG.,				
42-46	1/2 TON (PICK-UP).....	(lamp bracket only).....	903337	1	1.28
47-51	1/2, 3/4 TON (PICK-UP),				
48-53	1/2, 3/4 TON (exc. SGL. UNIT, PICK-UP)...	w/license bracket.....	2232841	1	1.40
49-52	STA. WAG.....	inner.....	3689360	1	1.05
49-52	SDL.....	w/license bracket.....	3692352	1	.50
47-52	STA. WAG.,				
47-54	CAN. EXP., SUB. w/end gate.....	outer.....	3689361	1	.82
51-53	COMM. (PICK-UP).....		3696238	1	.50
54	COMM. (PICK-UP).....	left.....	2308108	1	.35
54	1/2, 3/4 TON (CAB, FFC).....		2304058	1	.60
54	1 TON, UTIL. (CAB, FFC).....		3708350	A.R.	.40
54	COMM., UTIL. (w/o rear bumper).....	rear license plate (stamped R-TA).....	920175	1	.55

**2.664 LINK—BRACKET—PIN—SPRING, Tail Lamp**

47-54	CAN. EXP., SUB. w/end gate.....	LINK (12 <sup>35</sup> / <sub>4</sub> O.L.).....	3692318	1	.48
47-54	CAN. EXP., SUB. w/end gate.....	BRACKET, link.....	3686481	1	.33
49-52	STA. WAG. (STEEL).....	BRACKET, link.....	3689001	1	.33
47-54	CAN. EXP., SUB. w/end gate.....	BRACKET, link pivot.....	3686483	1	.22
49-52	STA. WAG. (STEEL).....	BRACKET, link pivot, lower.....	3688987	1	.22
41-52	STA. WAG.,				
42-46	1/2 TON (PICK-UP),				
47-54	CAN. EXP., SUB. w/end gate.....	PIN, pivot, tail lamp bracket.....	502495	2	(4.025)
41-48	STA. WAG.,				
42-46	1/2 TON (PICK-UP).....	SPRING, bracket tension.....	3660533	1	.13
41-52	STA. WAG.,				
42-46	1/2 TON (PICK-UP),				
47-54	CAN. EXP., SUB. w/end gate.....	SPRING, pivot pin.....	3687624	2	.03
47-54	CAN. EXP., SUB. w/end gate,				
49-52	STA. WAG.....	SPRING, link (anti-rattle).....	371704	2	(4.796)

**2.665 SUPPORT, Tail Lamp Bracket**

29-53	1 TON, UTILITY (exc. D-D, SGL. UNIT)...	(1 wide x 3 <sup>1</sup> / <sub>8</sub> x 5 <sup>3</sup> / <sub>4</sub> —"L" shaped).....	348356	1	.25
34-46	1/2, 3/4 TON (PICK-UP jobs).....	L.....	375955	1	.33
37-48	COMM. (CCAB) (exc. KF, AN, BN, DS, ES, FS).....		595938	1	.25
37-53	3/4 TON (PLATFORM).....		597069	1	.25
39-42	STA. WAG.,				
39-53	COMM., UTILITY (exc. D-D).....	R.....	603719	1	.55
40-46	PANEL, SUB. w/doors.....	L.....	3654311	1	1.11
49-53	COMM. (CCAB) (exc. 1 TON).....	(2 <sup>1</sup> / <sub>8</sub> wide—3 <sup>1</sup> / <sub>8</sub> x 5 <sup>1</sup> / <sub>8</sub> —"L" shaped).....	3690584	1	.28
51-53	COMM. (PICK-UP).....	L.H. (5 <sup>3</sup> / <sub>8</sub> long—45° angle one side).....	3695075	1	.28
54	1/2, 3/4 TON (CABS, FIC).....	(L-shape—has 4 holes 1 <sup>1</sup> / <sub>8</sub> dia.).....	2076124	1	.40

**2.670 PARTS, Rear License Attaching (also see group 2.700)**

41-52	STA. WAG.,				
47-54	CAN. EXP., SUB. w/end gate.....	BRACKET, license.....	5938846	1	.79
49-52	PASS. (exc. SDL, STA. WAG.).....	BRACKET, license.....	5938180	1	.50
53-54	STA. WAG.....	BRACKET (stamped L1—53).....	5944018	1	.98
53-54	SDL.....	BRACKET (elongated attach. holes).....	5942640	1	.69
39-48	PASS.,				
47-54	COMM. (PANEL, SUB. w/DRS.).....	CLAMP (1 x 4 <sup>1</sup> / <sub>4</sub> overall) (ctr. license lamp)...	3650107	1	.13
35-38	PASS. (exc. EC),				
39	SED., COA.....	NUT, license bracket clamp (3/8—24—half round—3/4 x 1/8).....	378693	1	.02
39-48	SDL.....	SUPPORT, license.....	603366	1	.65
39	T. SED., S. SED., CPE.....	SUPPORT, w/bracket, license.....	604288	1	.25
40-48	SDL.....	SUPPORT, L.H., bracket.....	3688913	1	1.35
49-52	SDL.....	SUPPORT, R.H., bracket.....	3688912	1	2.15
49-52	SDL.....	REINFORCEMENT, R.H., bracket support.....	3688916	1	.28

**2.675 LAMP, Tail and Stop, Complete with Bulbs (see group 2.700 for center lamp; group 2.689 for reflex reflector)**

31-33	AE, BA, BB, CB (PASS. on AE; SDL on BB, CB).....	(all chrome).....	363149	1	5.30
31-32	PASS. (RDL, SDL) COMM., UTIL.,				
33-36	ALL (exc. CC, DC, EC, FC, PANEL),				
37-39	COMM., UTIL. (exc. SGL. UNIT).....	L. (license below lamp).....	916642	1	4.60
33-35	C, O, DA, DC, EC.....	L.....	911493	1	5.20
34-39	SINGLE UNIT.....	L. (license above lamp).....	916643	1	4.26
35	PASS. (exc. EC).....	L.....	916670	1	6.29
35-36	PASS. (exc. EC).....	R.....	916702	1	4.75
36	PASS.....	L.....	916701	1	4.75
37-38	PASS.,				
39	SED., COA. (w/o TRUNKS),				
39-48	SDL. (w/Sgl. Lamp Equip.).....	L. (plastic lens).....	927510	1	5.38
37-38	PASS.....	R. (plastic lens).....	927511	1	6.14
39	CPES., TRUNK JOBS,				
40-49	SDL.,				
47-53	SGL. UNIT,				
49-52	STA. WAG.....	L. (w/dual lamp equipment).....	927887	1	5.24

39	CPES., TRUNK JOBS,				
40-48	SDL.,				
47-53	SGL. UNIT,				
49-52	STA. WAG.,	R. (w/dual lamp equipment)	927889	1	5.24
40	PASS. (Trunk jobs)	L.	927067	1	4.33
40	PASS. (Trunk jobs)	R.	927068	1	4.33
40	CPES., CONV. (exc. CPE. PICK-UP)	L.	927069	1	4.45
40	CPES., CONV. (exc. CPE. PICK-UP)	R.	927070	1	4.25
40-48	SDL.,	center.	927162	1	7.36
40-48	COMM., UTILITY,	L. (license mtd. below lamp) (plastic lens)	927687	1	6.14
40-48	COMM., UTILITY,				
49-53	SDL., D-D., SBC., TY, UY, VY, X (exc. D)	L. (license mtd. above lamp) (plastic lens)	927874	1	5.10
41-48	STA. WAG.,	L.,			
42-46	½ TON (PICK-UP)	L.,			
47-53	CAN. EXP., SUB. w/end gate	L.,			
49-52	STA. WAG.,	center	926017	1	8.02
41-48	PASS. (exc. FLTLN. 4-DR., STA. WAG., SDL.)	L. (plastic lens)	927563	1	3.98
41-48	PASS. (exc. FLTLN. 4-DR., STA. WAG., SDL.)	R. (plastic lens)	927566	1	3.98
41-48	FLTLN. SED.	L.	927189	1	4.31
41-48	FLTLN. SED.	R.	927190	1	4.31
47-54	COMM. (PANEL, SUB. w/DRS.)	(w/license bracket) (on door)	3847313	1	8.05
49	PASS. (exc. SDL., STA. WAG.)	L.	927577	1	5.33
49	PASS. (exc. SDL., STA. WAG.)	R.	927578	1	5.33
49-53	COMM., UTIL. (exc. SGL. UNIT, D-D, SBC, TY, UY, VY, X)	(license mounted below lamp) (plastic lens)	927880	1	4.98
49-52	SDL.	R. (no license plate lens opening)	927885	1	5.52
49-53	COMM., UTIL. (exc. D-D)	R.	986299	1	7.27
50	PASS. (exc. SDL., STA. WAG.)	L.	927755	1	5.26
50	PASS. (exc. SDL., STA. WAG.)	R.	927756	1	5.26
51-52	PASS. (exc. SDL., STA. WAG.)	L.	927883	1	5.12
51-52	PASS. (exc. SDL., STA. WAG.)	R.	927884	1	5.12
53	PASS.		928286	2	8.38
54	PASS.		926996	2	8.05
54	SGL. UNIT	left	928963	1	6.76
54	SGL. UNIT	right	928964	1	6.76
54	COMM., UTIL. (exc. SGL. UNIT)	(lens molded RT8)	927645	1	3.00
54	COMM., UTIL. (exc. SGL. UNIT)	right	986907	1	7.35

### 2.680 MEDALLION—ORNAMENT, Tail and Stop Lamp

47-48	EK, FK (exc. STA. WAG.)		3683795	2	1.09
54	PASS.	ORNAMENT (stainless steel)	5941700	2	.55
48	FK (exc. STA. WAG.)	WASHER (rubber—¼ I.D. x ¼ O.D.)	3662988	4	(2.704)

### 2.681 DOOR, Tail and Stop Lamp (also see group 2.706)

33-36	CA, CC, DA, DC, EA, EC, ED, FA, FC, FD	w/lens (3½ x 4½ overall)	919581	1	2.00
35-39	COMM., UTILITY	w/lens (3½ x 5¼ overall)	919330	1	1.20
37-38	PASS.,				
39-40	STA. WAG.,				
39	SED., COA.,				
39-52	CPE. PICK-UP, SDL.,				
40-53	COMM., UTIL.	less lens (2¾ x 4 overall)	5942056*	1	1.26
39	T. SED., S. SED., CPES.,				
40-48	SDL. (w/dual lamp),				
47-54	SGL. UNIT (w/dual lamp),				
49-52	STA. WAG. (w/dual lamp)	less lens (3 O.D.)	5941990	2	1.26
40	PASS.	less lens (2¾ x 5 overall)	5930216	2	1.05
40-48	SDL.	less lens (2¾ x 6¼ overall) (center lamp)	5930344	1	1.70
41-48	PASS. (exc. SDL., STA. WAG.)	less lens (2¼ x 5¼ overall)	5931381	2	.98
41-52	STA. WAG.,				
42-46	½ TON (PICK-UP),				
47-54	CAN. EXP., SUB. w/end gate	L., w/lens (4¼ O.D.)	5941289	1	2.29
47-54	COMM. (PANEL, SUB. w/DRS.)	less lens (3¾ x 4¾ overall)	5941114	1	1.12
49-50	PASS. (exc. SDL., STA. WAG.)	L., less lens (2½ x 5¾ overall)	5937863	1	1.40
49-50	PASS. (exc. SDL., STA. WAG.)	R., less lens (2½ x 5¾ overall)	5937864	1	1.40
51-52	PASS. (exc. SDL., STA. WAG.)	less lens (3½ x 6½ overall)—cast 5940033)	5941091	2	2.71



53	PASS.....	less lens (w/3 openings—10 $\frac{1}{8}$ O.L.).....	5943401	2	3.05
54	PASS.....	(cast 5941670).....	5941670	2	3.05
54	COMM., UTIL. (exc. D-D, SGL. UNIT).....		918355	1	.38

\*NOTE: Also used with accessory R.H. tail lamps.

### 2.682 LENS, Tail Lamp

31-35	ALL (exc. CA, CC, DA, DC, EA, EC, ED, PANEL on DB, EB).....	glass (3 $\frac{1}{8}$ x 5 $\frac{1}{4}$ overall—stoplight on top).....	919331	1	1.60
37-38	ALL PASS.,				
39-40	STA. WAG.,				
39	SED., COA.,				
39-52	CPE. PICK-UP, SDL.,				
40-45	COMM., UTILITY,				
47-48	EP, ER, QL, QX, FP, FR, RL, RX (exc. PAN.)	plastic (2 $\frac{3}{8}$ x 3 $\frac{1}{8}$ overall—molded 5937162).....	5937162*	1	.74
49-53	COMM., U. L. (exc. SGL. UNIT).....				
39	T. SED., S. SED., CPES.,				
40-48	SDL. (w/dual lamp),				
47-53	SGL. UNIT (w/dual lamp),				
49-52	STA. WAG. (w/dual lamp).....	glass (2 $\frac{3}{8}$ O.D.).....	920696	2	.62
40	PASS.....	L., glass (2 $\frac{1}{8}$ x 4 $\frac{1}{4}$ —molded 5930213)...	5930213	1	.79
40	PASS.....	R., glass (2 $\frac{1}{8}$ x 4 $\frac{1}{4}$ —molded 5930214)...	5930214	1	.79
40-48	SDL.....	glass (2 $\frac{1}{8}$ x 5 $\frac{1}{8}$ —molded 5930342).....	5930342	1	.86
41-48	PASS. (exc. 4-DR. FLTLN., STA. WAG., SDL.).....	plastic (2 $\frac{1}{8}$ x 5—molded 5937794).....	5937794	2	.64
41-48	FLTLN. 4-DR. SED.....	L., glass (2 $\frac{1}{8}$ x 5—molded 5930829).....	5930829	1	.83
41-48	FLTLN. 4-DR. SED.....	R., glass (2 $\frac{1}{8}$ x 5—molded 5930830).....	5930830	1	.83
41-52	STA. WAG.,				
42-46	$\frac{1}{2}$ TON (PICK-UP),				
47-54	CAN. EXP., SUB. w/end gate.....	L. glass (4 $\frac{3}{8}$ O.D.—molded 919044)....	919044	1	1.00
47-54	COMM. (PANEL, SUB. w/DRS.).....	glass (2 $\frac{1}{8}$ x 4 $\frac{1}{4}$ —molded 5936906).....	5936906	1	.83
49	PASS. (exc. SDL., STA. WAG.).....	plastic (2 $\frac{3}{8}$ x 3 $\frac{1}{2}$ —molded 5937861)....	5937861	2	.43
50	PASS. (exc. SDL., STA. WAG.).....	plastic (2 $\frac{3}{8}$ x 3 $\frac{1}{2}$ —stamped 5939421)...	5939421	2	.62
51-52	PASS. (exc. SDL., STA. WAG.).....	plastic (Guide R1-S1—2 $\frac{3}{8}$ x 2 $\frac{1}{2}$ ).....	5940038	2	.45
53	PASS.....	upper outer, red (molded 5943403).....	5943403	2	.64
53	PASS.....	upper inner, red (molded 5944070).....	5944070	2	.26
53	PASS.....	center, red (molded 5943406).....	5943406	2	.69
53	PASS.....	lower, clear (molded 5943404).....	5943404	2	(2.697)
54	PASS.....	upper outer, red (molded 5941679).....	5941679	2	.76
54	PASS.....	upper inner, clear (molded 5941701).....	5941701	2	.31
54	PASS.....	lower, clear (molded 5941699).....	5941699	2	(2.697)
54	SGL. UNIT (w/dual lamp).....	red (molded 5943497).....	5943497	2	.71
54	COMM., UTIL. (exc. D-D, SGL. UNIT).....		5938745	1	.64

\*NOTE: 5937162 also used with accessory R.H. tail lamp.

### 2.684 GASKET, Tail Lamp Lens

37-38	PASS.,				
39-40	STA. WAG.,				
39	SED., COA.,				
39-52	CPE. PICK-UP, SDL.,				
40-53	COMM., UTILITY.....	paper (2 $\frac{3}{8}$ x 3 $\frac{1}{8}$ overall).....	920625*	1	.05
39	T. SED., S. SED., CPES.,				
40-48	SDL. (w/dual lamp),				
47-54	SGL. UNIT (w/dual lamp),				
49-52	STA. WAG. (w/dual lamp).....	sponge rubber (2 $\frac{3}{8}$ O.D.).....	921874	2	.10
40	PASS.....	sponge rubber (2 $\frac{1}{8}$ x 4 $\frac{1}{4}$ overall).....	5930215	2	.10
41-48	PASS. (exc. SDL., STA. WAG.).....	sponge rubber (1 $\frac{1}{8}$ x 5 overall).....	5931433	2	.19
41-52	STA. WAG.,				
42-46	$\frac{1}{2}$ TON (PICK-UP),				
47-54	CAN. EXP., SUB. w/end gate.....	L., cork (4 $\frac{1}{4}$ O.D.).....	911771	1	.05
47-54	COMM. (PANEL, SUB. w/DRS.).....	sponge rubber (3 $\frac{1}{8}$ x 4 $\frac{1}{8}$ overall).....	5936907	1	.17
49-50	PASS. (exc. SDL., STA. WAG.).....	sponge rubber (2 $\frac{1}{4}$ x 3 $\frac{3}{8}$ overall).....	5937858	2	.17
51-52	PASS. (exc. SDL., STA. WAG.).....	cork (2 $\frac{1}{8}$ x 3).....	5940037	2	.17
53	PASS.....	center, cork (3 $\frac{1}{4}$ O.D. x $\frac{1}{8}$ thk.).....	5943405	2	.21
53	PASS.....	upper and lower, cork.....	5943407	4	.21
54	PASS.....	sponge rubber (10 $\frac{1}{4}$ O.L.).....	5941682	2	.48
54	PASS.....	reflex, cork and paper (10 O.L.).....	5941674	2	.33
54	COMM., UTIL. (exc. D-D, SGL. UNIT).....		914301	1	.11

\*NOTE: 920625 also used with accessory R.H. tail lamp.

**2.685 LENS, Tail Lamp Outlook—Bottom and Upper (also see group 2.709)**

36	PASS.	(1 1/4 x 2 3/8 overall)	919450	1	.40
37-38	PASS.,				
39-40	STA. WAG.,				
39	SED., COA.,				
39-52	CPE. PICK-UP, SDL.,				
39-46	COMM., UTIL.,				
47-48	EP, ER, QL, QX, FP, FR, RL, RX (exc. PAN.),				
49-53	COMM., UTIL. (exc. SGL. UNIT)	(1 5/16 x 2 1/4 overall)	920634	1	.21
40-48	SDL. (w/dual lamps)	(1 1/2 x 2 3/16 overall)	5930357	1	.40
41-52	STA. WAG.,				
42-46	1/2 TON (PICK-UP),				
47-54	CAN. EXP., SUB. w/end gate	L. (1 3/16 x 3 3/16 overall)	914778	1	.55
47-54	COMM. (PANEL, SUB. w/DRS.)	(1 3/16 x 4 1/16 overall)	5936904	1	.48
54	COMM., UTIL. (exc. SGL. UNIT)		5938753	1	.33

**2.686 GASKET, Tail Lamp Outlook Lens (also see group 2.707)**

37-38	PASS.,				
39-40	STA. WAG.,				
39	SED., COA.,				
39-52	CPE. PICK-UP, SDL.,				
39-46	COMM., UTIL.,				
47-48	EP, ER, QL, QX, FP, FR, RL, RX (exc. PAN.),				
49-53	COMM., UTIL. (exc. SGL. UNIT)	sponge rubber (1 1/2 x 3 1/16 overall)	920808	1	.05
40-48	SDL. (w/dual lamps)	felt (1 5/16 x 3 1/16 overall)	5930358	1	.10
41-52	STA. WAG.,				
42-46	1/2 TON (PICK-UP),				
47-54	CAN. EXP., SUB. w/end gate	cork (1 1/2 x 4 3/8 overall)	914779	1	.05
47-54	COMM. (PANEL, SUB. w/DRS.)	sponge rubber (1 1/4 x 4 3/8 overall)	5936905	1	.05
54	COMM., UTIL. (exc. SGL. UNIT)		5938759	1	.05

**2.688 SCREW—NUT, Tail Lamp Door (also see group 2.706)**

39	T. SED., S. SED., CPES.,				
40-48	SDL. (w/dual lamp),				
47-54	SGL. UNIT (w/dual lamp),				
49-52	STA. WAG. (w/dual lamp)	(No. 8—32 x 1—pointed)	923315	2	.05
40	PASS. (exc. SDL., STA. WAG.)	(No. 10—32 x 3/8)	5930217	2	.05
40-48	SDL.	(No. 8—32 x 3/4)	922446	2	.05
41-52	STA. WAG.,				
42-46	1/2 TON (PICK-UP),				
47-54	COMM. (SGL. UNIT)	(No. 8—32 x 5/8)	912048	2	(2.697)
41-48	PASS. (exc. SDL., STA. WAG.)	(No. 8—20 x 1 5/16)	5933212	2	.05
54	COMM., UTIL. (exc. D-D, SGL. UNIT)	(No. 8—18 x 5/8)	148135	2	(8.977)
41-48	PASS. (exc. SDL., STA. WAG.)	NUT, speed (for No. 6—20)	5937582	2	.05
49-50	PASS. (exc. SDL., STA. WAG.)	NUT, speed (for No. 8—18)	5937865	4	.06

**2.689 JEWEL—REFLECTOR, Tail and Stop Lamp**

41	PASS. (exc. SDL., STA. WAG.),				
49-50	PASS. (exc. SDL., STA. WAG.)	(inside trunk—3/8 x 1 3/8 O.L.)	5931431	2	.05
49-50	PASS. (exc. SDL., STA. WAG.)	REFLEX ASSY. (under lamp—prong spring)	5938323	2	.57
51-52	PASS. (exc. SDL., STA. WAG.)	REFLEX ASSY. (under lamp—with stud)	5943455	2	.62
54	PASS.	REFLEX (molded X1-54 and 8941671)	5941671	2	.40
ALL	ALL	REFLECTOR, reflex	985223	A.R.	1.75

**2.691 NUT—RETAINER, Tail Lamp and Rear License Lamp Outlook Lens**

29-36	ALL	NUT, speed (No. 6—32)	920289	2	.05
39	PASS.,				
40-52	SDL., STA. WAG., CPE. PICK-UP,				
40-53	COMM., UTIL.,				
54	SGL. UNIT	RETAINER (speed nut No. 6—32)	827925	2	.05
54	COMM., UTIL. (exc. SGL. UNIT)	SPRING, lens retaining	5942427	1	.11

**2.694 SOCKET—SPRING—GASKET, Tail and Stop Lamp**

51-52	PASS. (exc. SDL., STA. WAG.),				
54	PASS.	w/cup (stamped D.C.)	5939945	2	.55
53	PASS.	w/cup, tail lamp (1 3/8 O.L.)	5944017	2	.40
53	PASS.	w/cup, stop lamp (1 5/8 O.L.)	5940011	2	.46

51-52	PASS. (exc. SDL, STA. WAG.),				
53-54	PASS.	SPRING, socket ( $2\frac{1}{2}$ LD.)	5939950	2	.17
51-52	PASS. (exc. SDL, STA. WAG.),				
53-54	PASS.	GASKET, socket ( $1\frac{1}{2}$ I.D.)	5939951	2	.05
51-52	PASS. (exc. SDL., STA. WAG.),				
54	PASS.	PLUG, with contacts	5291632	2	.28
53	PASS.	PLUG, with contacts	5291638	4	.30

### 2.691 LAMP UNIT and PARTS, Back-up

50-52	PASS. (exc. P.G.)		986408†	1	
50-52	PASS. w/P.G.		986409†	1	
53-54	PASS. (exc. P.G.)		986663	1	5.55
53-54	PASS. w/P.G.		986664	1	5.95
42-46	PASS.	DOOR, less lens ( $2\frac{1}{8}$ x 4 overall)	5931551	1	(2.993)
47-49	PASS. (exc. SDL., STA. WAG.)	DOOR, less lens (3 O.D.)	5931447	1	1.48
50-52	PASS.	DOOR, less lens ( $2\frac{3}{8}$ I. D.)	5941493	2	1.07
42-46	PASS.	LENS ( $1\frac{1}{8}$ x $3\frac{1}{8}$ overall) (molded 5933130)	5933130	2	.55
47-49	PASS. (exc. SDL., STA. WAG.)	LENS ( $2\frac{3}{8}$ dia.) (molded 5938015)	5938015	2	.33
50-52	PASS.	LENS ( $2\frac{3}{4}$ O.D.) (molded 5938297)	5938297	2	.48
53	PASS.	LENS, clear (molded 5943404)	5943404	2	.62
54	PASS.	LENS (molded 5941699)	5941699	2	.57
47-48	PASS. (exc. SDL., STA. WAG.),				
47-49	COMM. (SGL. UNIT)	GASKET (sponge rubber 2 I.D. x $2\frac{1}{8}$ O.D.)	5931452	1	.05
50-52	PASS.	GASKET (sponge rubber $2\frac{1}{8}$ I.D. x $2\frac{1}{8}$ O.D.)	5935956	2	(2.590)
42-48	PASS. (exc. SDL., STA. WAG.)	SWITCH, lamp (automatic)	1997902	1	1.90
49-52	PASS. (exc. SDL, STA. WAG., P.G.),				
53-54	PASS. (exc. P.G.)	SWITCH, lamp (automatic)	1997911	1	1.36
50-54	PASS. w/P.G. (exc. P/S)	SWITCH, lamp (automatic)	1997865*	1	2.24
53-54	PASS.	SOCKET, w/wire ( $47\frac{1}{2}$ long)	5944087	2	1.17
47-49	PASS. (exc. SDL., STA. WAG.)	SCREW (No. 8— $32$ x $\frac{5}{8}$ )	912048	1	.05
49-52	PASS. (exc. SDL, STA. WAG., P.G.),				
53-54	PASS. (exc. P.G.)	SPACER (No. 10— $24$ x $\frac{5}{8}$ hex. x $2\frac{3}{4}$ O.L.)	5938467	1	.21

\*NOTE: On P.G. with P/S, use 1998040 Switch, Group 4.054.

†NOTE: Closeout price applies. See Dealer P & A Price Schedule.

### 2.700 LAMP, Rear License, Complete with Bulb

39	IA, IB (CPES.)	less emblem (curved base—two $\frac{1}{2}$ holes for emblem)	916882	1	3.20
39	IA, IB (TRUNKS)	less emblem (straight base—two $\frac{1}{2}$ holes for emblem)	916881	1	3.05
40	PASS. (exc. SDL., STA. WAG.)	w/license bracket	604287	1	4.55
41	PASS. (exc. SDL., STA. WAG.)	w/license bracket	605355	1	4.40
42-48	PASS. (exc. SDL., STA. WAG.)	w/license bracket	606368	1	5.58
49-50	PASS. (exc. SDL., STA. WAG.)		927656	2	2.40
51-52	PASS. (exc. SDL., STA. WAG.)		927655	1	2.57
53-54	PASS. (exc. SDL, STA. WAG.)	w/license bracket (plastic wire ins.)	897463	1	3.12
53	SDL, STA. WAG.	(L2-51 on lens and back)	928358	1	2.40
54	SDL, STA. WAG., PICK-UP (w/rear bumper)	(L2-51 on lens) (plastic wire ins.)	897465	1	2.40

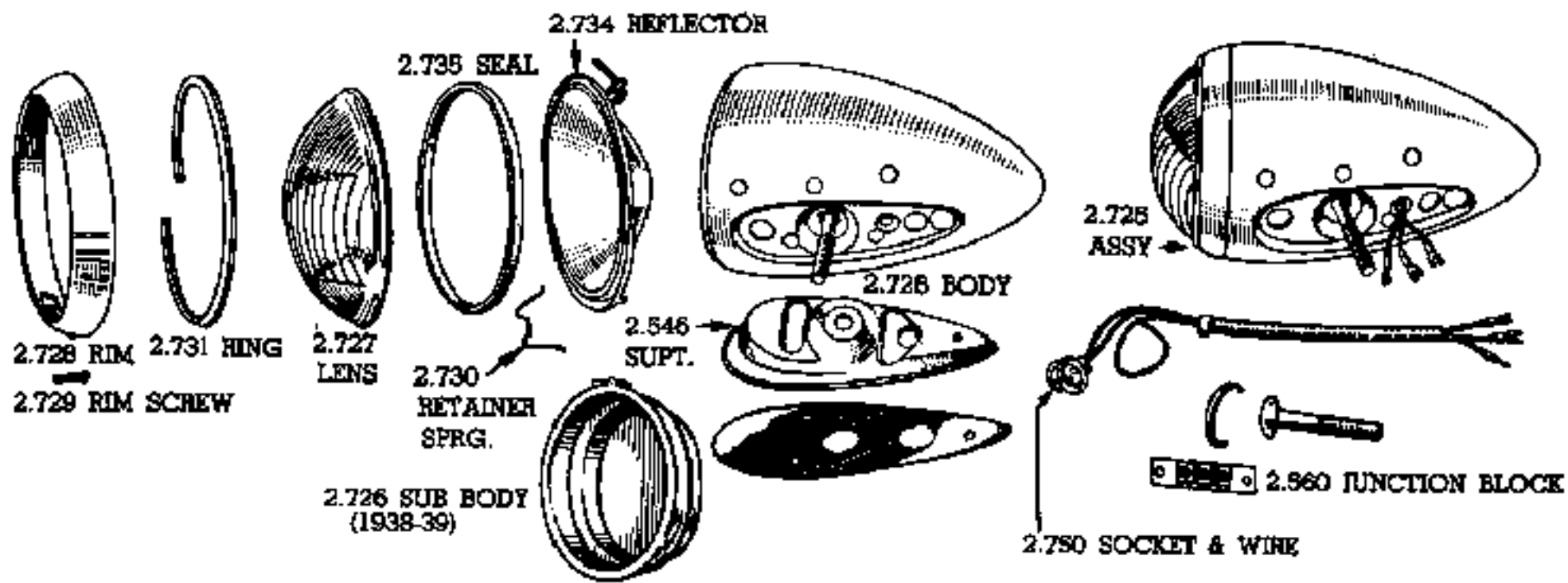
### 2.702 PAD, Rear License Lamp Mounting

41	PASS. (exc. SDL., STA. WAG.)	(rubber $2\frac{5}{8}$ x $5\frac{7}{8}$ overall)	3658431	1	.25
42-48	PASS. (exc. FLTLN., SDL., STA. WAG.)	(rubber— $3\frac{1}{8}$ x $9\frac{1}{8}$ overall—has four round holes)	3663703	1	.33
42-48	FLTLN. SED.	(rubber— $3\frac{1}{8}$ x $9\frac{1}{8}$ overall—has three large cutouts)	3663782	1	.38
49-50	PASS. (exc. SDL., STA. WAG.),				
54	SDL, STA. WAG., PICK-UP (w/rear bumper)	(rubber— $2\frac{3}{4}$ x $3\frac{3}{8}$ overall—has two round holes)	3668071	2	.17

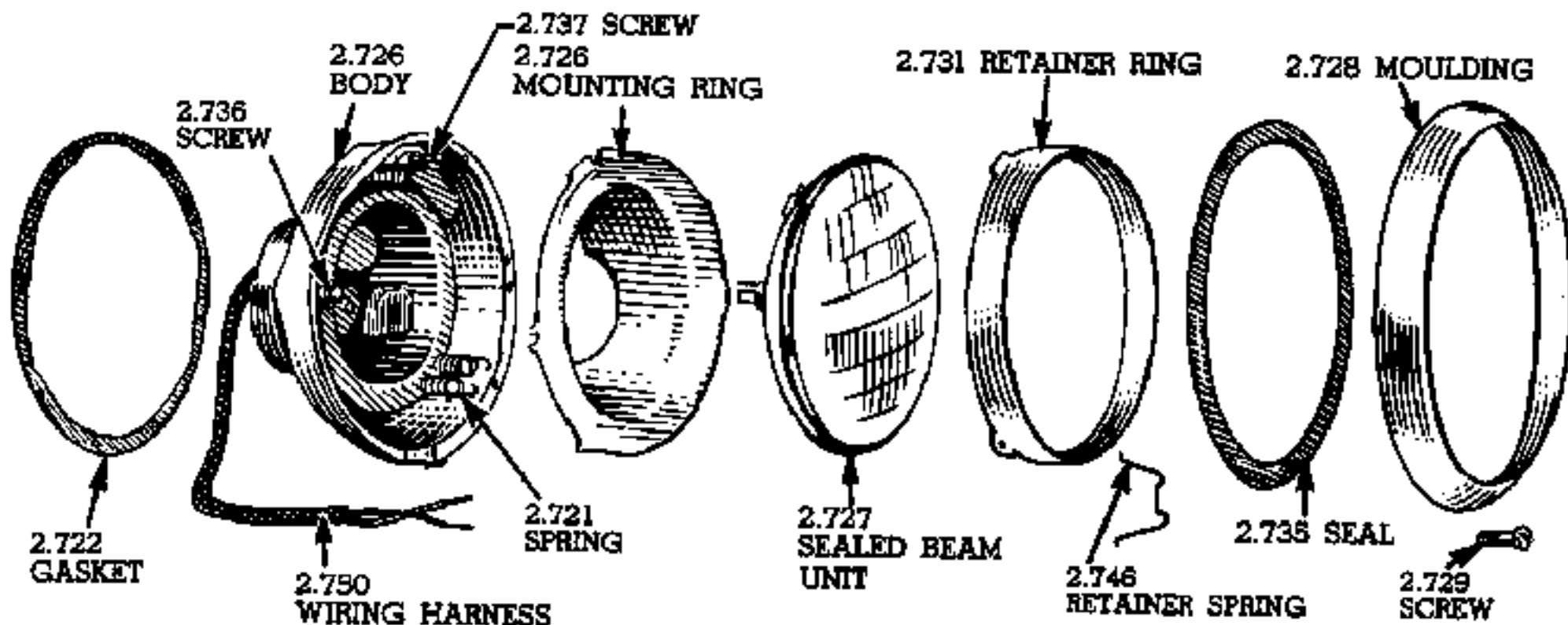
### 2.704 PLATE—MOULDING, Rear License Lamp

41	PASS. (exc. SDL., STA. WAG.)	PLATE, name (above lamp)	3658425	1	.55
42-46	BH, DK (exc. STA. WAG.)	MOULDING, L. (side of lamp)	3698517	1	1.35
42-46	BH, DK (exc. STA. WAG.)	MOULDING, R. (side of lamp)	3698518	1	1.35
42-48	BH, DK (exc. STA. WAG.)	RETAINER, moulding (two studs—No. 10—24)	3663833	2	.33
42-46	BH, DK (exc. STA. WAG.)	WASHER, retainer (rubber— $\frac{1}{2}$ LD. x $\frac{3}{4}$ O.D.)	3662988	4	.02





### HEADLAMP PARTS



### SEALED BEAM HEADLAMP PARTS

#### 2.705 BRACKET—SUPPORT, Rear License Plate Lamp

53-54	PASS. (exc. SDL., STA. WAG.)	w/2 bolts (stamped L-48)	5942458	1	.98
54	COMM. (PICK-UP)	SUPPORT (stamped LI-54)	3707021	1	.65

#### 2.706 COVER—DOOR, Rear License Lamp

40-41	PASS. (exc. SDL., STA. WAG.)	COVER, less lens (1 $\frac{3}{8}$ O.D. x 2 $\frac{1}{8}$ length)	5930151	1	1.31
49-50	PASS. (exc. SDL., STA. WAG.)				
54	SDL., STA. WAG., PICK-UP (w/rear bumper)	COVER	5937942	2	.57
51-52	PASS. (exc. SDL., STA. WAG.)	DOOR, less lens	5940619	1	.76
53	PASS. (exc. SDL., STA. WAG.)	DOOR, w/socket and 19 $\frac{1}{4}$ wire	5943380	1	.81
53-54	SDL., STA. WAG.	DOOR (2 $\frac{1}{8}$ x 3 $\frac{3}{8}$ w/1 $\frac{3}{8}$ ctr. hole)	5939872	1	.17
54	PASS. (exc. SDL., STA. WAG.)	DOOR, w/socket and 19 $\frac{1}{4}$ plastic wire	5942309	1	.81

#### 2.707 GASKET, Rear License Lamp Lens

39	PASS. (exc. SDL., STA. WAG.)	(sponge rubber—1 $\frac{3}{8}$ x 2 $\frac{1}{8}$ overall)	923387	1	.10
40-41	PASS. (exc. SDL., STA. WAG.)	(sponge rubber— $\frac{1}{8}$ I.D. x 1 $\frac{1}{4}$ O.D.)	923079	1	.05
42-48	PASS. (exc. SDL., STA. WAG.)	(sponge rubber—1 $\frac{1}{2}$ x 1 $\frac{1}{8}$ overall)	5932762	1	.10

49-50	PASS. (exc. SDL, STA. WAG.),					
54	SDL, STA. WAG., PICK-UP (w/rear bumper).....	(sponge rubber—1 $\frac{3}{4}$ x 1 $\frac{3}{4}$ overall).....	5937940	2		.11
51-52	PASS. (exc. SDL, STA. WAG.).....	(cork—2 $\frac{1}{2}$ overall length).....	5939876	1		.11
53-54	PASS. (exc. STA. WAG., SDL.).....	outer, felt (1 $\frac{1}{2}$ O.D. x $\frac{1}{2}$ thk.).....	5936537	1		.05
53-54	PASS. (exc. STA. WAG., SDL.).....	inner, rubber (1 $\frac{1}{6}$ x 2 $\frac{1}{8}$ x $\frac{1}{16}$ thk.).....	5935949	1		.05
53-54	STA. WAG., SDL.....	cork (1 $\frac{1}{6}$ I.D. x 1 $\frac{1}{16}$ O.D. x $\frac{3}{16}$ thk.).....	5939870	1		.11

### 2.708 SCREW—NUT, Rear License Lamp Cover

40-41	PASS. (exc. SDL, STA. WAG.).....	SCREW (fill. sltd., w/L/washer 6—32 x $\frac{1}{4}$ )..	923088	2		.05
53-54	PASS. (exc. SDL, STA. WAG.).....	NUT ( $\frac{3}{8}$ hex. x $\frac{1}{4}$ O.L. w/10—32 thd.).....	5943619	2		.11

### 2.709 LENS, Rear License Lamp

39	PASS. (exc. SDL, STA. WAG.).....	(1 $\frac{1}{8}$ x 2 overall).....	923386	1		.21
40-41	PASS. (exc. SDL, STA. WAG.).....	(1 $\frac{1}{4}$ O.D. x 1 $\frac{3}{8}$ length).....	922042	1		.33
42-48	PASS. (exc. SDL, STA. WAG.).....	(molded 5932761).....	5932761	1		.29
49-50	PASS. (exc. SDL, STA. WAG.),					
54	SDL, STA. WAG., PICK-UP (w/rear bumper) (VERMONT).....	(molded 5938832).....	5938832	2		.33
51-52	PASS. (exc. SDL, STA. WAG.).....	(Guide L1-51).....	5940480	1		.31
53-54	PASS. (exc. STA. WAG., SDL.).....	(1 $\frac{1}{2}$ O.D. x 1 $\frac{3}{4}$ O.L.) (molded B).....	5935947	1		.33
53	STA. WAG., SDL.,					
54	STA. WAG., SDL., PICK-UP (w/rear bumper) (exc. VERMONT).....	( $\frac{3}{8}$ O.D. x 1 O.L.) (molded L2-51).....	5940540	1		.26

### 2.714 SOCKET, Rear License Lamp w/Wire

40-41	PASS. (exc. SDL, STA. WAG.).....	(10 length—sleeve and spring).....	5931931	1		.74
42-48	PASS. (exc. SDL, STA. WAG.).....	(10 length—spring less sleeve).....	5932806	1		.50

### 2.721 SPRING, Headlamp Body Tension

41-47	ALL.....	( $\frac{1}{8}$ O.D. x 1 $\frac{3}{8}$ free length—14 coils) (for double spring headlamp construction) ..	5931749	4		.07
41-53	ALL.....	( $\frac{1}{2}$ O.D. x 1 $\frac{1}{2}$ free length—9 $\frac{1}{4}$ coils) (for single spring headlamp construction) ..	5937452	2		.17
54	COMM., UTIL.....					

### 2.722 GASKET, Headlamp Body to Fender

41-46	PASS.,					
47-54	ALL.....	(rubber—8 $\frac{3}{8}$ O.D.).....	3691000	2		.18

### 2.724 ORNAMENT, Headlamp (on fender)

40	PASS.....	(17 $\frac{1}{8}$ length— $\frac{3}{4}$ at widest point).....	3653964	2		1.86
41	PASS.....	(17 $\frac{1}{8}$ length—1 $\frac{1}{4}$ at widest point).....	3658321	2		3.95

### 2.725 HEADLAMP ASSEMBLY, Complete with Bulbs

36-39	FC, GC, GD, GE, S, HC, HD, HE, T, JC, ID, JE, V (exc. COE).....	L. (black body—TILTRAY—8 $\frac{3}{8}$ O.D.)....	911285	1		11.20
36-39	FC, GC, GD, GE, S, HC, HD, HE, T, JC, ID, JE, V (exc. COE).....	R. (black body—TILTRAY—8 $\frac{3}{8}$ O.D.)....	911286	1		11.20
37	PASS.....	L. (has one large mtg. bolt).....	917479	1		12.60
37	PASS.....	R. (has one large mtg. bolt).....	917480	1		12.60
38	PASS.....	L. (has 4 mtg. bolts—base straight).....	917593	1		14.45
39	PASS.....	L. (has 4 mtg. bolts—base curved).....	917727	1		14.40
39	PASS.....	R. (has 4 mtg. bolts—base curved).....	917728	1		14.40
40	PASS.....		917809	2		20.50
40	COMM., UTIL. (exc. COE).....	L.....	917763	1		12.00
40	COMM., UTIL. (exc. COE).....	R.....	917764	1		12.00
40	COE.....	w/parking lamp assy.....	917805	2		15.25
41	PASS.....		925023	2		12.71
41-46	COMM., UTILITY (exc. COE).....	L., w/parking lamp assy.....	925203*	1		22.86
41-46	COMM., UTILITY (exc. COE).....	R., w/parking lamp assy.....	925204*	1		22.86
41	COE.....	w/parking lamp assy.....	925016†	2		16.10
41-46	COE.....	w/parking lamp assy.....	925226*	2		22.69
42-48	PASS.....		925185	2		10.43
47-54	COE.....		897440	2		11.98

47-54	COMM., UTIL. (exc. COE)	897438	2	11.21
49-52	PASS.	926015	2	11.40
53	PASS.	897397	2	12.62
54	PASS.	897584	2	11.20

†NOTE: Headlamp 925016 used on early 1941 jobs may be identified by 3 piece parking lamp with die cast base, stamped cover and die cast ornament. (See group 2.586.)

\*NOTE: Headlamps 925203-04-25 used on late 1941 and all 1942-46 jobs may be identified by 1 piece parking lamp with stamped body. (See group 2.586.)

### 2.726 SUB BODY—RING, Headlamp

41	PASS.	SUB BODY, w/tension springs	5931832	2	4.00
41-46	COMM., UTIL. (exc. COE) (late 1941 jobs)	SUB BODY, L., w/tension springs and parking lamp wire	5933135	1	5.75
41-46	COMM., UTIL. (exc. COE) (late 1941 jobs)	SUB BODY, R., w/tension springs and parking lamp wire	5933136	1	5.75
42-48	PASS.	SUB BODY, w/tension springs	5932796	2	3.50
47-48	COMM., UTIL.,				
49-52	ALL,				
53-54	COMM., UTIL.	SUB BODY, w/tension springs	5936747	2	3.40
53	PASS.	SUB BODY, w/tension springs	5943963	2	2.50
54	PASS.	SUB BODY (stamped GUIDE H-18)	5941586	2	2.45
40	PASS.,				
41-54	ALL	RING, mtg.	924535	2	1.21

### 2.727 LENS, Headlamp

32-36	B, C, O, DB, DC, P, EB, EC, Q, FC, R,	(8 1/4 O.D.—TWILITE)	915383	2	.93
39	COE				
36-39	FA, FC, FD, GC, GD, GE, S, HC, HD, HE,	(7 3/4 O.D.—TILTRAY)	919787	2	1.35
	T, IC, ID, JE, V (exc. COE)	(7 O.D.—TILTRAY)	920544	2	1.35
37-38	PASS.	(7 1/8 O.D.—Tilray—molded 923344)	923344	2	1.69
39	PASS.	SEALED BEAM UNIT (metal reflector)	193193	2	1.50
40-54	ALL	SEALED BEAM UNIT (glass reflector)	193142	2	1.64
40-54	ALL				

### 2.728 MOULDING, Headlamp (rim or door)

32-36	B, C, O, DB, DC, P, EB, EC, Q, FC, FB, R,				
39	COE		914711	2	2.10
36	PASS.,				
37-39	COMM., UTIL. (exc. COE)		921514	2	2.07
37-38	PASS.		920798	2	1.14
39	PASS.	(black)	923446	2	1.14
39	IA	(bright)	924687	2	1.98
40	PASS.,				
41-46	COMM., UTILITY		924722	2	2.29
40	COMM., UTILITY		5930416	2	2.62
41	PASS.		5941977	2	2.57
42-48	PASS.		5932799	2	1.29
47-48	COMM., UTIL.,				
49-52	ALL,				
53-54	COMM., UTIL.	(chrome)	5941285	2	2.40
53	PASS.	(chrome)	5943962	2	2.65
54	PASS.	(stainless steel)	5944987	2	3.12

### 2.729 SCREW, Headlamp Moulding

36-40	ALL (exc. FB, R, VD, VE, VF, VG, VH, VM,	(fill. hd. No. 10—24 x 3/8)	918824	2	.05
	VN, KA, KB, KH)				
40	PASS.	(fill. hd. No. 8—32 x 1/2 dog pt.)	924622	2	.05

### 2.730 SPRING, Headlamp Lens Retainer

31-39	ALL (exc. BA, CA, GA, GB, HA, HB, IA,	(1 1/4 inside legs)	914255	2	.05
	JB)				
37-39	PASS.	(1 1/2 inside legs)	918107	2	.07



**2.731 RING, Headlamp Lens or Sealed Beam Retaining**

37-38	PASS.	(6 $\frac{1}{2}$ O.D.—split type).....	920617	2	.80
39	PASS.	(7 $\frac{1}{16}$ O.D.—split type).....	918811	2	1.35
40	COMM., UTILITY	(7 $\frac{1}{16}$ O.D.—three attach. ears— $\frac{3}{4}$ wide)...	5930433	2	1.40
40	PASS.	(chrome 7 $\frac{1}{16}$ O.D.—three attach. ears 1 $\frac{1}{16}$			
41-54	ALL	wide).....	5940988	2	1.55

**2.734 REFLECTOR, Headlamp**

32-38	B, N, C, O, DB, DC, P, EB, EC, Q, FB, R,				
39	COE	(8 $\frac{1}{2}$ O.D.—w/parking lamp—w/seal)...	919045	2	2.65
34-35	DA, EA, ED	(7 $\frac{1}{4}$ O.D.—w/parking lamp—w/seal)...	918978	2	2.65
36	PASS.				
37-39	COMM., UTIL. (exc. COE)	(7 $\frac{1}{4}$ O.D.—w/parking lamp—less seal)..	919596	2	3.40
37	PASS.	(6 $\frac{3}{4}$ O.D.—w/parking lamp—less seal)..	920773	2	3.40
38	PASS.	(6 O.D.—w/parking lamp—less seal)....	922080	2	2.52
39	PASS.	(6 $\frac{1}{2}$ O.D.—w/parking lamp—less seal)..	923433	2	2.50

**2.735 SEAL, Headlamp Lens**

31-32	AE, LT, M, BB, N	unit (consists of 10 seals and 20 staples)			
38	PASS.	(seal is cork— $\frac{1}{2}$ x $\frac{3}{16}$ x 28).....	605918	A.R.	1.40
31-39	ALL (exc. AE PASS., HA, HB)	unit (consists of 10 seals and 20 staples)			
		(seal is cork— $\frac{1}{4}$ x $\frac{3}{4}$ x 28).....	605920	A.R.	1.40
40	PASS.				
41-53	ALL				
54	COMM., UTIL.	moulding (rubber—dbl. lip—23 $\frac{3}{4}$ ).....	5930594	2	.26
54	PASS.	moulding (rubber).....	5945454	2	.55

**2.736 SCREW, Headlamp Lens and Sealed Beam Retaining**

40-54	ALL	(bdg. hd. No. 8—32 x $\frac{5}{16}$ taper point)....	924552	6	.05
-------	-----	--	--------	---	-----

**2.737 SCREW—NUT, Headlamp Beam Adjusting**

39	PASS.	SCREW, vert. adj. (No. 10—24 x 3 $\frac{7}{8}$ length overall—spec. flared ctr. section).....	923099	2	.10
40	PASS.	SCREW, beam adj. (spec. grooved sltd. hd.— $\frac{1}{4}$ —28 x 1).....	924561	4	.05
41-54	ALL				
39	PASS.	NUT, vert. adj. screw (No. 10—24 spec.).....	923100	2	.05
41-48	ALL	NUT, beam adj. screw ( $\frac{1}{4}$ —28).....	5930896	2	.05
47-48	COMM., UTILITY				
49-54	ALL	NUT, beam adj. screw ( $\frac{1}{4}$ —28) (nylon insert),	5939769	4	.05

**2.746 SPRING, Headlamp Door and Moulding Seal Retainer**

40-41	PASS.				
42-45	COMM., UTIL.				
49-52	ALL				
53-54	COMM., UTIL.	mldg. seal (1 $\frac{1}{4}$ depth—2 $\frac{3}{16}$ inside width) .	5939791	A.R.	.05
42-48	PASS.	mldg. seal (1 $\frac{3}{4}$ lg. one leg—1 $\frac{1}{4}$ inside legs)	914127	10	.05
49-52	ALL				
53-54	COMM., UTIL.	mldg. door top retainer.....	5939790	2	.05
53-54	PASS.	top ( $\frac{3}{8}$ inside width).....	5943966	2	.05
53	PASS.	bottom and sides (1 $\frac{1}{2}$ inside width).....	5943967	6	.05
54	PASS.	bottom and sides.....	5945525	6	.05

**2.750 SOCKET, Headlamp Bulb w/Wire**

35-36	PASS. (exc. EC)	(1 pre-focused bulb socket, 1 sleeve type bulb socket, 1 plain lead).....	918977	2	1.20
37-39	COMM., UTIL. (exc. COE)				
37	PASS.	(1 pre-focused bulb socket, 1 plain lead, 3 spade type term., w/clip).....	920774	2	1.20
38	PASS.	(1 pre-focused bulb socket, 1 plain lead, 3 spade type term., w/grmt.).....	922082	2	1.20
39	PASS.	(1 pre-focused bulb socket, 1 plain lead, 3 spade type term., w/grmt.).....	923367	2	1.20
40	PASS.	(1 spec. 3 term. plug-in receptacle, 2 spade and 1 screw type term., w/grmt.).....	5930046	2	1.35

40	COMM., UTIL. (exc. COE)	(1 spec. 3 term. plug-in receptacle, 2 spade and 1 screw type term., w/grmt.)	5930425	2	1.60
41-46	COMM., UTILITY	(1 spec. 3 term. plug-in receptacle, 2 screw type and 3 spade type term., w/grmt.)	5931796	2	1.98
41-48	PASS.	(1 spec. 3 term. plug-in receptacle, 1 screw type and 2 spade type term., w/grommet)	5942312	2	1.62
47-54	COMM., UTIL.	(1 spec. 3 term. plug-in receptacle, 2 spade and 1 screw type term., w/grmt.)	5938179	2	1.74
49-52	PASS.	w/grommet (loom 16½ lg.)	5941821	2	1.45
53	PASS.	w/grommet (loom 16¾ lg.) (plastic ins.)	5942277	2	1.35

**2.765 SWITCH, Instrument Lamp Dimmer**

40-46	COMM., UTILITY	less knob, w/term. screws	001404	1	.98
-------	----------------	---------------------------	--------	---	-----

**2.773 SOCKET, Instrument Lamp w/Wire**

29-36	A, L, M, B, N, CC, DC, EC, FC	(1 bulb socket—1 screw type term.)	1850450	1	.30
37-54	ALL	(1 snap-in term., 1 spade term.)	1862155	1	.40

**2.808 DIAPHRAGM, Horn**

40-49	ALL (spec. equ. on ALL exc. PASS.)	lo note	1878815	1	.61
40-49	ALL (spec. equ. on ALL exc. PASS.)	hi note	1878816	1	.61

**2.809 BASE, Horn, with Motor**

49	PASS.	hi and lo notes	1912597	2	4.19
----	-------	-----------------	---------	---	------

**2.810 HORN ASSEMBLY**

29-39	ALL (exc. B, N, C, O, DC, EC, FC)	(8½ length overall—straight—mtg. screws 2¼ ctr. to ctr.—¼—28 thds.)	1999801*	1	7.28
40-52	COMM., UTILITY	R.H.—lo note (sea shell type) (stmpd. 633)	1999633	1	6.68
40-42	COMM., UTIL. (spec. equip.)	L.H.—hi note (sea shell type) (stmpd. 634)	1999634	1	6.68
40-48	PASS.	lo note (sea shell type)	1999651	1	6.16
40-42	COMM., UTIL. (spec. equip.)	hi note (sea shell type)	1999652	1	6.16
40-48	PASS.	R.H.—lo note (sea shell type) (stmpd. 687)	1999687	1	6.16
40	PASS.	L.H.—hi note (sea shell type) (stmpd. 688)	1999688	1	6.16
40-46	COMM., UTIL. (spec. equ.)	L.H., lo note (sea shell type) (stamped 639)	1999639	1	6.16
47-52	COMM., UTIL. (exc. COE) (spec. equ.)	R.H., hi note (sea shell type) (stamped 640)	1999640	1	6.16
40	PASS.	UNIT (hi note) w/attaching parts	986799	1	6.25
40-46	COMM., UTIL. (spec. equ.)	UNIT, hi note	986893	1	6.25
47-52	COMM., UTIL. (exc. COE) (spec. equ.)				
49-52	PASS.				
53	ALL				
54	PASS.				
49-52	PASS.				
53	ALL (exc. D-D, COE) (spec. equ.)				
54	PASS.				
54	COMM., UTIL.				
54	COMM., UTIL. (spec. equ.)				
53	COMM., UTIL. (exc. D-D, COE)				
54	COMM., UTIL.				

\*NOTE: When installing 1999801 on 1929-30 jobs and GB, HB, IB use 3693836 bracket.

**2.815 RELAY, Matched Horn**

34-54	ALL		1116775	1	1.54
-------	-----	--	---------	---	------

**2.816 CUSHION—PLATE—SPRING—PAD—RING, Horn Button or Blowing Ring**

37-38	PASS. (spec. equ.)	CUSHION (rubber 2½ I.D. x 4¾ length)	752705	1	.33
39	PASS. (spec. equ.)	CUSHION (rubber 1½ O.D. x 1¾ length)	753403	1	.25
41-48	AH, BH, DK, EK, FK	CUSHION (rubber ½ I.D. x ½ O.D.—¾ high—cone shaped)	754063	2	.07
39	PASS. (spec. equ.)	PLATE, wire actuating (3¼ O.D.—convex spring type plate)	753402	1	.18
39-46	COE	SPRING (1½ O.D. x 1¼ free length 3¾ coils)	263866	1	.02
40-46	PASS. (spec. equ. on KA, KB, KH, AH)	SPRING, ground (1¾ and 1½ O.D. x 2 free length—4 coils)	753657	1	.32
41-48	AH, BH, DK, EK, FK	SPRING, ground (1½ O.D. x 1 free length—3 coils)	754058	1	.13
41-46	AG, BG, DJ	SPRING (2¼ O.D. x 1¾ free length—4 coils)	755854	1	.13

41-46	COMM., UTIL. (exc. COE)	SPRING (1 1/8 O.D. x 1 1/2 free length—6 1/2 coils)	755284	1	.13
47-48	EJ, FI	SPRING (6 coils, 1 1/2 O.D. x 1 1/2 free length)	756453	1	.13
49-52	PASS. (spec. equip.),				
49-54	GK, HK, JK, KK, B, C (prod.)	SPRING (1 1/16 I.D. x 2 3/8 O.D.)	757518	1	.17
41-48	AH, BH, DK, EK, FK	PAD (rubber 3 5/8 I.D. x 4 1/8 O.D.)	754062	1	.25
40	KA	RING (rubber 2 3/8 I.D. x 2 7/8 O.D.)	753656	1	.38
41	PASS. (spec. equ.)	RING (rubber 2 3/8 I.D. x 2 7/8 O.D.—has 3 notches on inside dia.)	754240	1	.33
49-52	GK, HK, JK, KK	RING, pivot (1 1/4 I.D. x 2 O.D. plastic)	758104	1	.17
49-52	GK, HK, JK, KK	RING, lock (1 3/4 O.D.)	756797	1	.05
50-52	PASS. (spec. equip.),				
53-54	B, C	RING, blowing ring pivot (plastic)	757517	1	.17
41-48	AH, BH, DK, EK, FK	SCREW, cushion (No. 6—32 x 7/8—3/8 washer under hd.)	754064	2	.02

**2.817 BUTTON—CAP, Horn Blowing (see group 2.820 for steering wheel caps, etc. that do not actuate horn)**

29-36	ALL,				
37-40	GB, COMM., UTIL. (exc. COE)	BUTTON, w/wires (2 1/4 O.D. x 3 13/16 O.L.)	753838	1	.78
37-39	GA, HA, HB, JB	BUTTON, w/wires (2 1/2 O.D. x 4 3/8 O.L.)	793327	1	.78
37-38	PASS. (spec. equ.)	BUTTON, w/wires (4 1/2 O.D.)	752704	1	1.94
39-40	JA, KB, KH	BUTTON, w/wires (2 1/2 O.D. x 2 3/8 O.L.)	753629	1	.78
39	PASS. (spec. equ.)	CAP (2 5/8 corner to corner)	753401	1	.78
39-46	COE	CAP 2 1/16 largest O.D. (stmpd. 258609)	258609	1	.15
41-46	AG, BG, DJ	CAP (3 1/8 O.D.)	755849	1	.90
47-48	EJ, FI	CAP (3 1/8 O.D.)	756449	1	1.06
49	GI	CAP (2 5/8 O.D.)	758913	1	.89
41-46	COMM., UTIL. (exc. COE)	CAP, w/retainer	609620	1	.95
47-53	COMM., UTILITY	CAP, w/retainer	758298	1	.88
50	HJ	CAP (2 5/8 O.D.—Grecian Grey)	757705	1	.89
51-52	IJ, KI	CAP (2 3/2 O.D.)	758293	1	.98
53	A, D	CAP, chrome and black (2 3/2 O.D.)	758467	1	.89
54	A, D	CAP, india ivory	759543	1	.90
54	COMM., UTIL.	CAP, with retainer	758632	1	.88
47-48	EJ, FI	CLAMP, cap (3 1/2 O.D.)	756450	1	.28

**2.818 CONTACT PARTS, Horn Button and Blowing Ring**

39-46	COE	CONTACT, cup (under strg. wheel nut) (3/8 I.D. x 2 1/8 O.D. x 1 1/16 thick)	263864	1	.13
42-48	PASS. (spec. equ.)	CONTACT, connector, w/spring (in strg. wheel hub)	5660046	1	.37
47-53	COMM., UTILITY	CONTACT ASSY., cup	758239	1	1.23
49-52	GI, HJ, IJ, KI	CONTACT ASSY. (2 3/8 O.D.)	756398	1	1.25
53-54	A, D				
54	COMM., UTIL.	CONTACT ASSY. (2 1/2 O.D.)	758566	1	1.25
41-46	COE	CONNECTOR, horn wire (contacts wire and contact bottom of mast jacket)	263549	1	.48
49-54	ALL	CONNECTOR, contact w/spring (brush 1 7/8 O.L.)	759037	1	.33
40	KA	CUP, horn blowing ring contact (1 1/4 I.D. x 3 11/16 O.D. x 1 1/4 thick—ext. thds.)	753655	1	.93
41-46	AG, AH, BG, DJ (spec. equ.)	CUP, horn button contact (1 1/4 I.D. x 2 1/2 O.D. x 1/8 thick—ext. thds.)	755856	1	.33
41-48	PASS. (spec. equ. DI, EJ, FI)	CUP, ring contact supt. (3 5/8 O.D.)	756485	1	.43
41-48	AH, BH, DK, EK, FK	CUP, horn blowing ring contact (1 1/8 I.D. x 2 1/4 O.D. x 1/2 thick)	754050	1	.13
47-48	EJ, FI	CUP, horn button contact (2 1/2 O.D.)	756473	1	.33
41-46	AG, BG, DJ	RETAINER, contact cup (die cast—2 1/4 full width—2 1/8 I.D. x 3 1/4 O.D.—int. thds.)	755855	1	1.18
41-46	COMM., UTILITY (exc. COE)	RETAINER, contact and cap (die cast—2 1/8 full width—1 1/4 I.D. x 2 1/2 O.D.—no thds.)	755898	1	1.07
47-48	EJ, FI	RETAINER, contact cup (3 1/4 O.D., 2 1/4 I.D.)	756472	1	1.18
39-46	COE	INSULATOR, horn button terminal (1 1/4 I.D. x 1 1/16 O.D.)	263867	1	.03
42-48	PASS. (spec. equ.)	INSULATOR, connector	5660044	1	.12



47-48	COMM., UTIL.,				
49-54	ALL	INSULATOR, connector (plastic—1 $\frac{1}{8}$ O.L.)	759230	1	.06
41-48	AG, BG, DJ, EJ, FI	ANTI-RATTLER, cup retainer (3 $\frac{1}{4}$ O.D.)	756458	1	.17
50-52	PASS. (spec. equip.),				
53-54	B, C	BUSHING, blowing ring spacer (1 $\frac{3}{4}$ I.D.)	757520	3	.11

**2.820 CAP—SPRING—RETAINER, Horn Button (also see group 2.817 for horn buttons—actuating)**

40	PASS. (spec. equ. on KB, KH)	horn button (3 $\frac{1}{2}$ O.D.)	753659	1	1.22
41	PASS. (spec. equ. on AG)	horn button (3 $\frac{3}{4}$ O.D., stamped "Chevrolet")	754065	1	.83
42-46	PASS. (spec. equ. on BG, D)	horn button (3 $\frac{3}{4}$ O.D., stamped "Chevrolet" emblem and winged figure)	755781	1	.83
42-48	PASS. (spec. equ.)	horn button (4 $\frac{1}{8}$ O.D. transparent)	753867	1	1.98
47-48	PASS. (spec. equ. on EJ, FI)	horn button 3 $\frac{3}{4}$ O.D.—monogram of vermilion, blue and gilt	756439	1	2.15
49	GK (spec. equ. on G)	horn button (2 $\frac{3}{4}$ O.D.)	758751	1	1.63
49	PASS. (spec. equ.)	steering wheel hub	757097	1	2.15
50-52	PASS. (spec. equ.)	strg. wheel hub	758058	1	1.60
50	HK	steering wheel hub (2 $\frac{3}{4}$ O.D. Silver Grey)	758757	1	1.63
51	JK	steering wheel hub (2 $\frac{3}{4}$ O.D.)	758597	1	1.63
52	KK	strg. wheel hub (black)	758585	1	1.63
53	B, C	black (2 $\frac{3}{8}$ O.D.)	758477	1	1.10
54	ALL P/S	strg. wheel hub (white)	759457	1	1.10
54	B, C	black (2 $\frac{3}{8}$ O.D.)	759456	1	1.10
54	B, C	bermuda green	3708654	1	1.10
54	B, C	saddle brown	3708656	1	1.10
54	B, C	biscayne blue	3708660	1	1.10
54	BEL AIR	lurquoise	3708662	1	1.10
54	BEL AIR	pueblo tan	3708664	1	1.10
54	CONV., SPT. CPE	romany red	3708658	1	1.10
50-52	PASS. (spec. equ.)	SPRING, strg. wheel hub cap	757524	1	.06
52-54	KK, B, C	SPRING, strg. wheel hub cap	758604	1	.06
39-46	COE	RETAINER, horn button cap (2 $\frac{3}{4}$ O.D.)	263865	1	.33

**2.830 RING, Horn Blowing**

39	PASS. (spec. equ.)	horn blowing (11 O.D.) (4 spokes)	753512	1	3.07
40	PASS. (spec. equ. on KB)	horn blowing (10 $\frac{1}{2}$ O.D.) (3 spokes $\frac{1}{4}$ dia.)	753654	1	4.35
41-48	PASS. (deluxe wheel)	horn blowing (11 O.D.) (2 spokes)	754061*	1	4.35
42-48	PASS. (spec. equ.)	horn blowing (11 $\frac{1}{8}$ O.D.) (3 wide flat spokes)	755903	1	6.02
49	GK (spec. equ. on G)	horn blowing	756855	1	4.35
49	PASS.	horn blowing (accessory wheel)	757094	1	4.82
50	HK	horn blowing (silver grey)	757729	1	4.35
50-52	PASS.	horn blowing (accessory wheel)	758251	1	5.95
51	IK	horn blowing (medium grey)	758295	1	5.20
52	KK	horn blowing (satin grey)	758573	1	5.55
53-54	B, C	chrome (11 $\frac{3}{8}$ O.D.)	758475	1	5.55

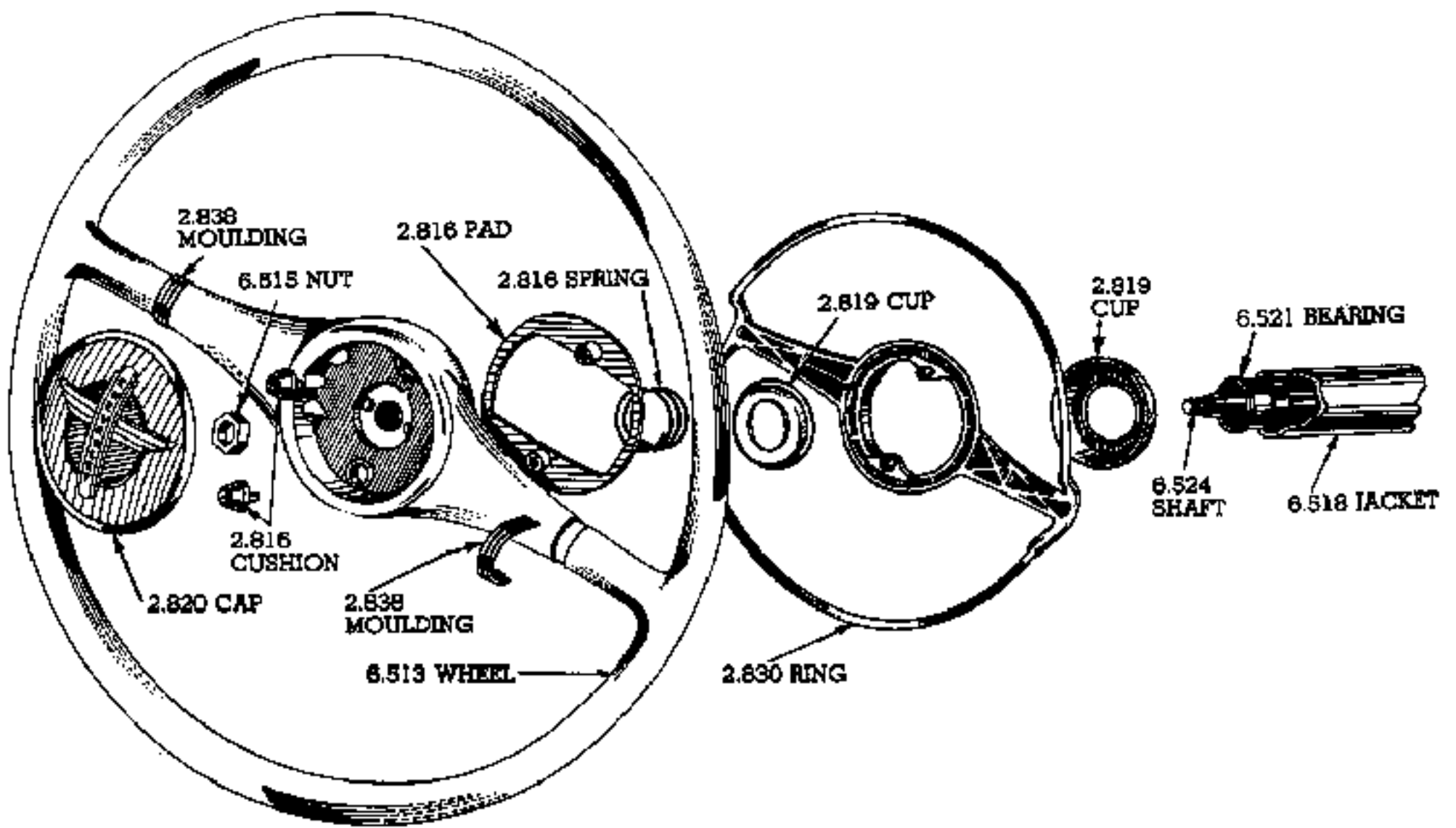
\*NOTE: When using RING 754061 on BG, BH, it is also necessary to use pad 754062.

**2.831 BUMPER, Horn Blowing Ring or Button**

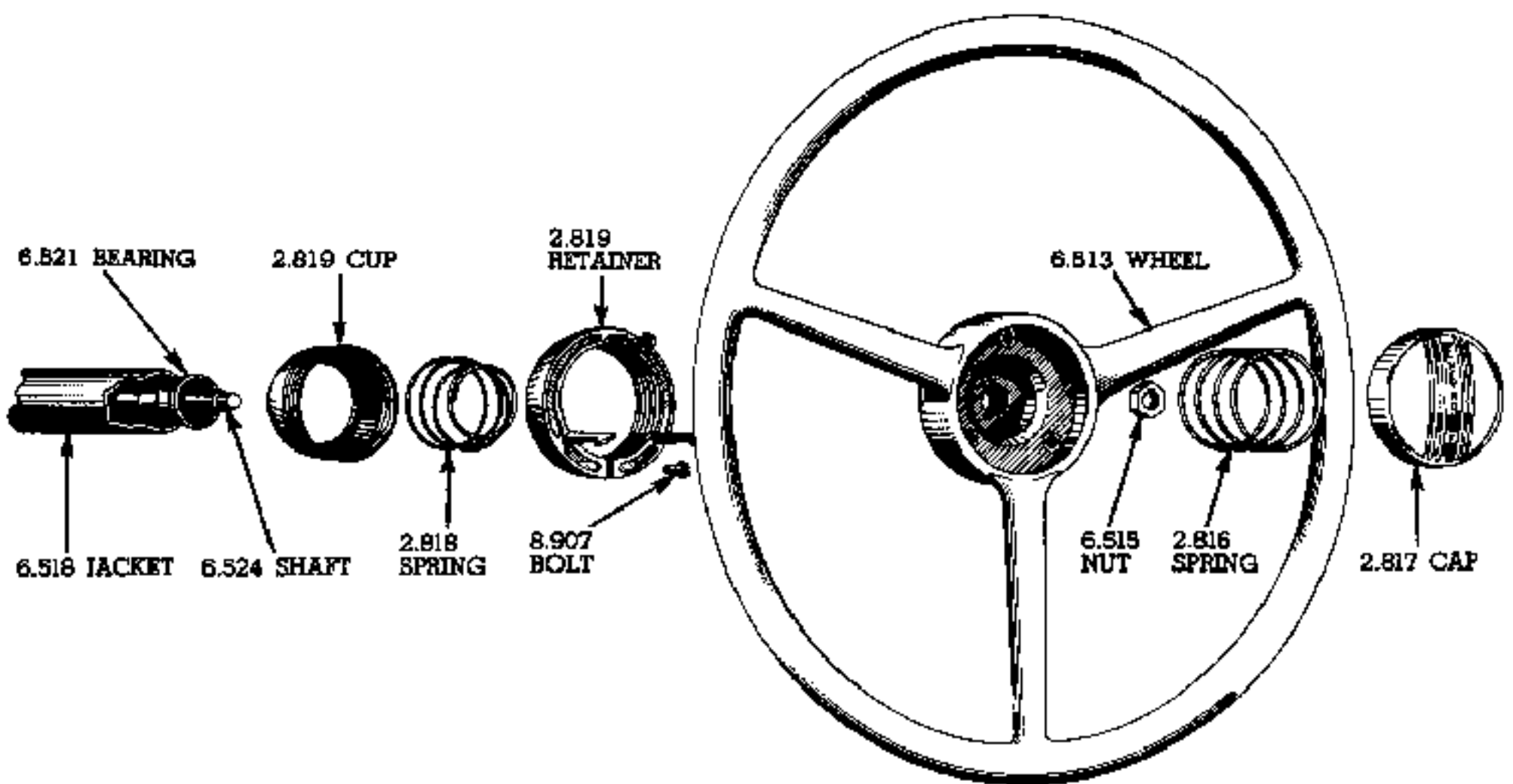
40	KA	horn blowing ring bottom spoke (1 $\frac{1}{4}$ over all length, w/concave top)	753658	1	.22
40	KA	horn blowing ring horizontal spoke (1 $\frac{1}{8}$ overall length, w/flat top)	753789	2	.22
41-46	COMM., UTIL. (exc. COE)	horn button retainer (2 $\frac{3}{8}$ I.D. x 2 $\frac{3}{16}$ O.D. x $\frac{1}{8}$ thick)	755899	1	.22

**2.832 MOULDING, Horn Blowing Ring Spoke Trim**

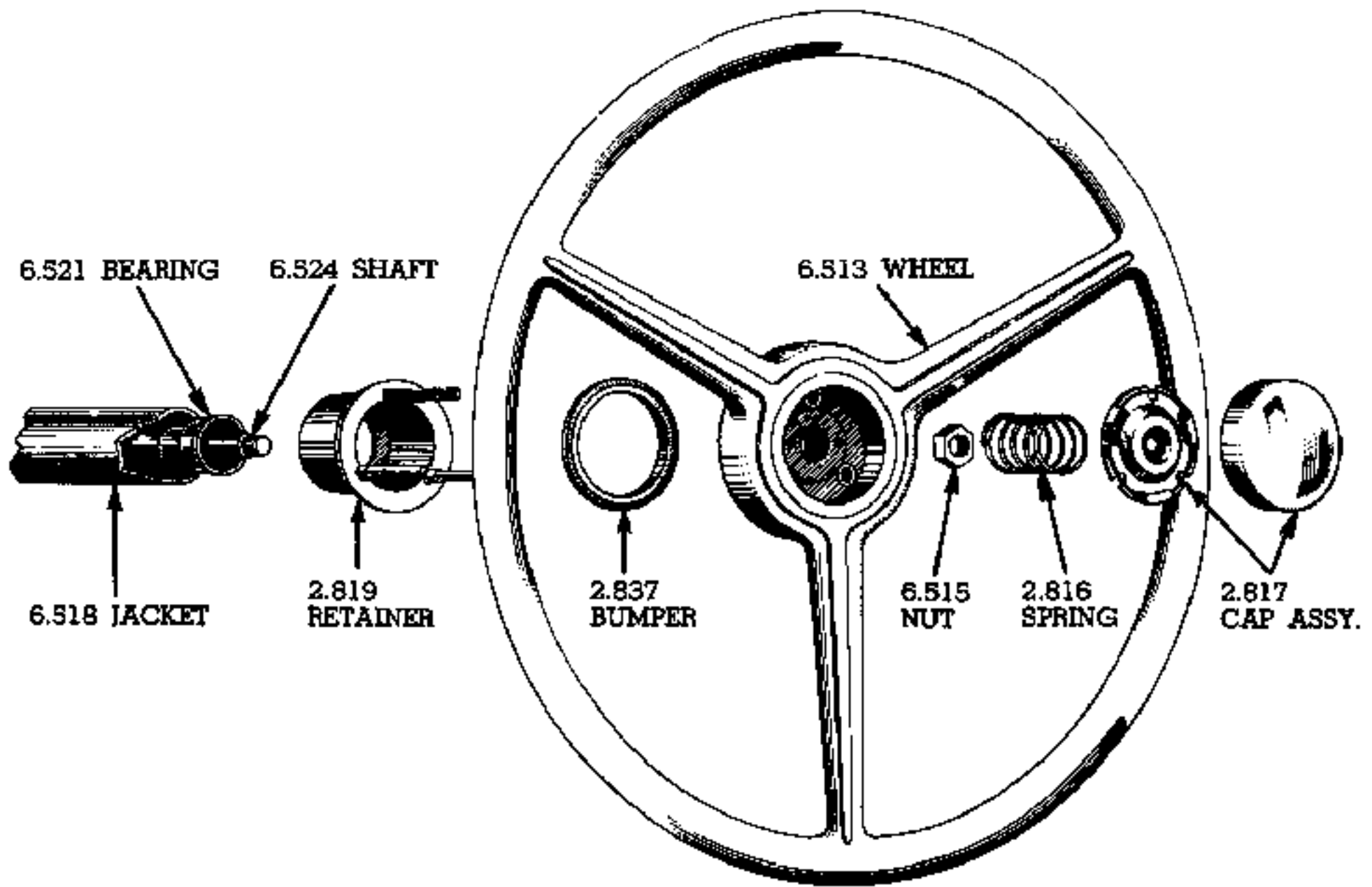
50	HK	L.H. (1 $\frac{3}{4}$ long, w/2 grooves $\frac{1}{8}$ wide—silver grey)	757726	1	.83
50	HK	R.H. (1 $\frac{3}{4}$ long, w/2 grooves $\frac{1}{8}$ wide—silver grey)	757727	1	.83



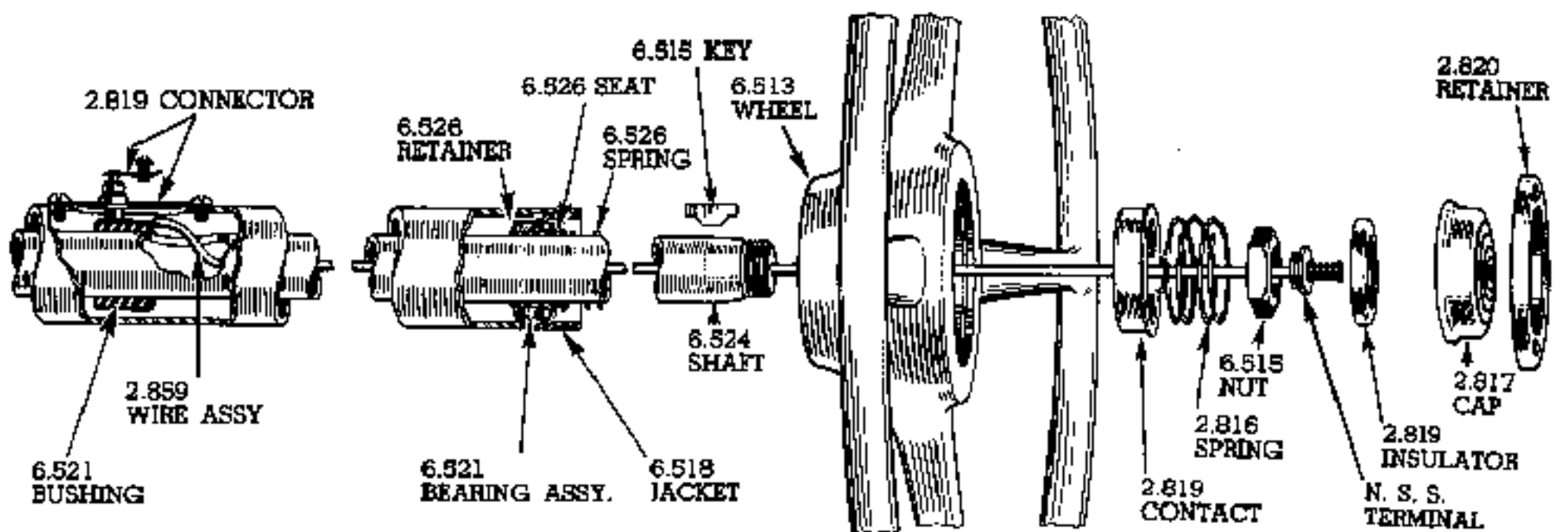
**HORN CONTACT PARTS—BLOWING RING TYPE**



**HORN CONTACT PARTS—PASSENGER—BUTTON TYPE**



**HORN CONTACT PARTS—CONVENTIONAL TRUCK**



**HORN CONTACT PARTS—CAB-OVER-ENGINE**



### 2.845 BRACKET—STUD, Horn

34-36	ALL (exc. DC, EC, FC)	projector type horn (not used w/econ. eq.)	837977	1	.77
37-39	PASS. (exc. GB, HB, JB)				
40-52	COMM., UTIL. (exc. COE)	projector type horn	3693836	1	.50
40	PASS.	seashell type horn, left	3653975	1	.45
40	PASS.	seashell type horn, right	3653976	1	.45
40-46	COMM., UTIL. (spec. equ.)				
47-53	COMM., UTIL. (exc. COE) (spec. equ.)	matched horn type	1879864	2	.91
41	PASS.	left	3658475	1	.72
41	PASS.	right	3658476	1	.72
42-48	PASS.	left	3664651	1	.72
42-48	PASS.	right	3664652	1	.72
49-50	PASS.	left	3690755	1	.72
49-50	PASS.	right	3690756	1	.72
50-52	COE		3693985	1	.55
51-52	PASS.	left	3695271	1	.72
51-52	PASS.	right	3695272	1	.72
53-54	PASS.	left	3698151	1	.72
53-54	PASS.	right	3698152	1	.72
53	COMM., UTIL. (exc. COE)		3702747	1	.50
53	COE		3702768	1	.63
54	COMM., UTIL.	matched horn type	3702791	2	.50
34-36	ALL (exc. DC, EC, FC)	STUD, horn brkt. ( $\frac{1}{8}$ —16—24 x $4\frac{1}{16}$ )	837455	2	(3.275)

### 2.899 WIRE ASSEMBLY, Horn

39	JA				
40-46	COMM., UTILITY (exc. COE)	w/term. (overall length $45\frac{1}{16}$ )	266218	1	.53
47-53	COMM., UTILITY	w/term. ( $20\frac{3}{16}$ O.L.)	270258	1	.25

### 2.860 SIGNAL UNIT—LAMP—COVER UNIT, Direction

NOTE: For fuse and fuse holder use 1220246 listed in the Radio Parts Catalog.

53	COMM., UTIL.	(single lens)	986880	1	24.55
53	COMM., UTIL.	(double front lens and single rear)	986881	1	25.95
54	COMM., UTIL. (exc. PICKUP, SGL. UNIT)	(single lens)	986878	1	23.15
54	COMM., UTIL. (exc. PICKUP, SGL. UNIT)	(double front lens single rear)	986902	1	24.35
54	COMM., UTIL. (exc. PICKUP, SGL. UNIT)	rear, dual (flush fit)	986951	1	22.65
54	COMM., UTIL. (exc. PICKUP, SGL. UNIT)	(double front lens single flush mounting rear lens)	986964	1	23.85
54	PICK-UP		986937	1	17.50
54	SGL. UNIT		986938	1	24.00
50-53	COMM., UTIL.	LAMP ASSY., front (single lens—amber)	927836	2	6.31
50-53	COMM., UTIL.	LAMP ASSY., front (double lens—amber)	927890	2	9.02
50-53	COMM., UTIL.	LAMP ASSY., rear (red lens)	927838	2	7.10
53-54	PASS.	COVER UNIT, steering wheel hub	3704234†	1	.80

†NOTE: Used when Direction Signal is removed.

### 2.892 FLASHER, Direction Signal Lamp

40-42	PASS. (exc. SDL, STA. WAG.)	(end of bracket has 1 slot)	5930991	1	1.75
46-48	PASS. (exc. SDL, STA. WAG.)				
46-50	COMM., UTIL.		5936281	1	1.95
49-50	PASS.				
51-54	ALL		1335220	1	1.20

### 2.895 SWITCH ASSY.—RING—SPRING—SCREW—CAM, Direction Signal Lamp

29-42	UTILITY (exc. COE)	less strap, with lever	929005	1	5.64
46-49	COMM., UTIL.	complete w/lever and strap	929450	1	11.20
50-51	PASS.	complets w/lever and strap	928135	1	12.69
49	COMM., UTILITY				
50-52	ALL				
53	COMM., UTIL.	switch only	5939515	1	1.50
52	PASS.	complete w/lever and strap	928976	1	11.14
53-54	PASS.	complete with housing	897464	1	8.15
53-54	PASS.	switch w/wires	5942021	1	3.05

54	COMM., UTIL. (exc. PICK-UP, SGL. UNIT, D-D).....	complete with housing.....	897313	1	7.19
54	PICK-UP, SGL. UNIT.....	complete with housing.....	897334	1	7.93
54	COMM., UTIL.....	switch w/wires.....	5945196	1	2.00
53-54	PASS.....	RING UNIT.....	897064	1	1.83
53-54	PASS.....	SPRING, actuating lever ( $\frac{5}{64}$ dia. wire).....	5942761	1	.11
53-54	PASS.....	SPRING, centering ( $\frac{3}{8} \times 2\frac{3}{4}$ ).....	5944131	1	.05
53-54	PASS.....	SPRING, cancelling cam ( $\frac{3}{16}$ O.D. $\times 1\frac{1}{2}$ ).....	5942766	2	.11
53	PASS.....	SCREW, lever (12-24 thd. w/ $\frac{3}{16}$ dia. shoulder).....	5942768	1	.11
54	PASS.....	SCREW, switch ring (12-24 thd., $\frac{3}{4}$ lg. shldr.).....	5944866	1	.10
53-54	PASS.....	CAM, cancelling ( $2\frac{1}{2}$ O.D. w/tang $\frac{1}{2}$ high).....	5943818	1	.21

**2.895 SOCKET—LENS—RIM, Direction Signal Lamp**

49-52	PASS.....	SOCKET, with wire (front).....	5940079	2	1.55
50-53	COMM., UTIL.....	LENS, front (amber).....	5939210	A.R.	1.00
50-53	COMM., UTIL.....	LENS, rear (red).....	5939211	A.R.	1.00
53-54	COMM., UTIL.....	LENS (amber) (has 3 attach. holes).....	5944156	A.R.	.75
53-54	COMM., UTIL.....	LENS (red) (has 3 attach. holes).....	5944176	A.R.	.75
46-49	COMM., UTIL.....	RIM (lens, gasket, 2 eyelets).....	3689105	A.R.	2.85

**2.906 LEVER—ROLLER, Direction Signal Lamp**

49-53	COMM., UTILITY,				
50-52	PASS.....	LEVER ASSY., switch.....	5939511	1	1.29
53	PASS,				
54	ALL.....	LEVER, w/ $\frac{1}{4}$ —20 nut ( $5\frac{1}{8}$ O.L.).....	5944132	1	.76
49	COMM., UTILITY,				
50-52	ALL,				
53	COMM., UTIL.....	ROLLER ASSY., switch.....	5939519	1	.57

Blank Page



# CHEVROLET MASTER PARTS CATALOG

YEAR	MODEL	PART NAME	PART NO.	NO. USED	LIST PRICE
<b>3.001 TANK, Gasoline</b>					
34-36	F, Q, H (CHASSIS, SGL. UNIT on R)	w/o filler neck (17 gal.)	475059	1	16.08
34-36	1/4 TON	w/filler neck (16 gal.)	375150	1	18.02
35-36	PASS. (exc. EC)	w/o filler neck (14 gal.)	378273	1	15.46
36-37	R (LOW ROOF CABS), GC, GD, GE, S (CABS)	w/o filler neck (18 gal.)	594782	1	16.77
37	PASS. (exc. BUS. CPE., SDL.)	w/o filler neck (14 gal.)	593537	1	16.77
37-46	1/2 TON (SGL. UNIT)	w/filler neck (15 gal.)	3692398	1	16.77
37-46	GD, GE, HD, HE, ID, IE, KD, KE, AL, AM, BL, BM, DR (PANEL)	w/filler neck (18 gal.)	3657516	1	18.18
38	T (exc. CABS)	w/filler neck (18 gal.)	602939	1	17.18
38	HC, HD, HE, T (CABS)	w/filler neck (18 gal.)	602940	1	18.18
38-39	PASS. (exc. BUS. CPE., CPU., SDL.)	w/o filler neck (14 gal.)	3650116	1	16.77
37-40	BUS. CPE., CPE. PICK-UP, SDL.	w/filler neck (18 gal.)	3653589	1	18.18
39-40	JC, ID, IE, V, KC, KD, KE, KF, WA, WB (CABS), (exc. COE)	w/filler neck (18 gal.)	603373	1	18.18
39-46	COE	w/filler neck (18 gal.)	3657517	1	18.18
40	PASS. (exc. BUS. CPE., CPU., SDL.)	w/o filler neck (16 gal.)	3653518	1	16.55
40-46	YS, MS, OS, OW, PK, PW (FFC)				
40-46	SCH. BUS CH.	w/filler neck (20 gal.) (side mounting)	350921	1	21.97
41-48	BUS. CPE., CPE. PICK-UP, SDL.	w/filler neck (16 gal.)	3847670	1	19.00
41-48	AN, YH, YS, YT, BN, MR, MS, DS, PI, PK, PV, PW (CABS only on AK, AL, AM, BK, BL, BM, CK, DP, DR)	w/filler neck	605240	1	18.18
41-48	PASS. (exc. BUS. CPE., CPU., SDL.)	w/lwr. filler neck (16 gal.)	3847320	1	18.18
47-48	ER, FR				
49-53	3/4 TON (FFC) (exc. D-D)	w/lwr. filler neck (16 gal.)	3847322	1	18.18
47-48	ES, QJ, QK, QV, QW, FS, RJ, RK, RV, RW	w/lwr. filler neck (18 gal.) (mounted inside of frame)	3847323	1	20.89
49-53	1 TON (SGL. UNIT, FFC) (exc. D-D)	w/filler neck (18 gal.)	3847690	1	18.18
47-53	ALL (outside mtd.) (exc. SCH. BUS CH.)	w/lwr. filler neck (30 gal.)	3684198	1	29.46
47-54	SCH. BUS CH.				
47-48	1/2 TON				
49-53	1/2 TON (exc. CAB)	w/lwr. filler neck (16 gal.)	3692400	1	16.77
48-53	DUBL-DUTI.	w/lwr. filler neck (16 gal.)	3692407	1	16.77
49-54	SDL, STA. WAG.	w/lwr. filler neck	3708975	1	19.00
49-53	COMM., UTIL. (CAB)	w/lwr. filler neck (17 1/2 gal.)	3691958	1	18.18
49-52	PASS. (exc. SDL, STA. WAG.)	w/lwr. filler neck and ventalarm (16 gal.)	3694851	1	18.18
53-54	PASS. (exc. SDL, STA. WAG.)	w/filler neck (16 gal.)	3702862	1	18.18
54	1/2 TON (exc. CAB)	w/lower filler neck (16 gal.)	3708924	1	17.50
54	3/4 TON (FFC) (exc. D-D)	w/lower filler neck (16 gal.)	3708954	1	18.75
54	1 TON (SGL. UNIT, FFC) (exc. D-D)	w/lower filler neck (18 gal.)	3708966	1	20.75
54	ALL (outside mtd.) (exc. SBC)	w/filler neck (18 gal.)	3708964	1	18.75
54	COMM., UTIL. (CAB)	w/lower filler neck and vent pipe (17 1/2 gal.)	3708971	1	18.25
54	DUBL-DUTI.	w/lower filler neck (16 gal.)	3708976	1	17.50
<b>3.003 NECK—HOSE, Gasoline Tank Filler</b>					
37	PASS. (exc. BUS. CPE., SDL.)	lower, filler (8 7/8 overall)	593542	1	1.35
37	PASS. (exc. BUS. CPE., SDL.)	upper, filler (8 1/2 overall)	593544	1	1.52
37-39	GD, GE, HD, HE, IC, ID, IE (FFC)	upper filler, w/vent pipe (20 3/4 overall to end of vent pipe)	596707	1	2.67
40-46	COMM. (SGL. UNIT) (exc. 1 TON)				
38	PASS. (exc. BUS. CPE., SDL.)	upper, filler (8 1/4 overall)	597111	1	1.52
38	COMM., UTILITY (CABS)	lower, filler (8 1/2 overall)	597387	1	1.25
38-39	PASS. (exc. BUS. CPE., CPU., SDL.)	lower, filler (10 1/4 overall)	3847614	1	1.52
39	PASS. (exc. BUS. CPE., CPU., SDL.)	upper, filler (10 1/2 overall)	599717	1	1.52
40	PASS. (exc. BUS. CPE., CPU., SDL.)	upper, filler (12 1/2 overall)	3652834	1	1.52
40	PASS. (exc. BUS. CPE., CPU., SDL.)	lower, filler (9 1/4 overall)	3653455	1	1.50
40-54	YS, MS, OS, OW, PK, PW, SBC (FFC)	upr., filler (6 1/4 O.L.) (w/outside mtd. tank)	350922	1	.87
NOTE: When using 350922 on 1946-54 SBC it is necessary to cut off 2 1/4.					
41-48	PASS. (exc. BUS. CPE., CPU., SDL.)	upper, filler (12 overall)	3658823	1	1.52
41-46	PASS. (exc. BUS. CPE., CPU., SDL.)	lower, filler (10 overall)	3658001	1	1.52
41-48	BUS. CPE., CPE. PICK-UP, SDL.	filler (10 1/2 overall)	3658128	1	1.57

41-46	AN, YR, YS, YT, BN, MR, MS, DS, PJ, PK, FV, PW (CABS on AK, AL, AM, BK, BL, BM, CK, DP, DR)	filler (2 $\frac{3}{8}$ x 14 $\frac{1}{2}$ dev. length)	3682760	1	2.17
47-48	PASS. (exc. BUS. CPE, SDL)	lwr., filler (9 $\frac{3}{8}$ dev. length)	3685724	1	1.52
47-48	EP, ER, FP, FR (exc. SGL. UNIT, PLAT.)				
48-54	DUBL-DUTI				
49-54	$\frac{1}{2}$ , $\frac{3}{4}$ TON (FFC) (exc. D-D)	upr., filler (2 $\frac{3}{8}$ x 10 $\frac{1}{4}$ dev. length)	3684410f	1	1.52
	†NOTE: On EP, ER, FP, FR (exc. SGL. UNIT), cut off 1 $\frac{1}{8}$ from end opposite gas cap.				
47-54	COMM. (SGL. UNIT)	upr., filler (2 $\frac{1}{2}$ x 21 dev. length)	3676462	1	1.90
	NOTE: When using 3676462 on $\frac{1}{2}$ TON it will be necessary to cut off 4 $\frac{1}{2}$ .				
47-48	ER, FR (PLATFORM)	upr., filler (2 $\frac{1}{4}$ dia.)	3684420	1	2.72
47-48	ES, FS (PICK-UP)				
47-48	ES, QJ, QV, FS, RJ, RV (PLATFORM)	upr., filler (2 $\frac{3}{4}$ x 18 $\frac{1}{4}$ dev. length)	3684475*	1	1.78
47-48	ES, QJ, QK, QV, QW, FS, RJ, RK, RV, RW, (CABS, COWLS)				
49-54	1 TON (FFC) (exc. D-D)	upr., filler (2 $\frac{3}{8}$ x 5 $\frac{3}{4}$ dev. length)	3684470*	1	1.20
47-48	QK, QW, RK, RW (PLATFORM)	upr. filler (2 $\frac{1}{4}$ x 40 dev. length)	3686698*	1	2.60
47-48	EP, FP				
49-54	$\frac{1}{2}$ TON (exc. CAB)	lwr., filler (9 $\frac{1}{2}$ dev. length)	3684894	1	1.47
47-48	ER, FR				
49-54	$\frac{3}{4}$ TON (FFC) (exc. D-D)	lwr., filler (10 $\frac{3}{8}$ dev. length)	3684907	1	1.47
47-48	ES, FS, (FFC, CABS)				
47-48	QJ, QV, RJ, RV				
47-48	QK, QW, RK, RW (exc. PLATFORM)				
49-54	1 TON (exc. CABS, D-D)	lwr., filler (6 $\frac{1}{4}$ dev. length)	3684870*	1	1.35
47-48	QK, QW, RK, RW (PLATFORM)	lwr. filler (7 $\frac{3}{4}$ dev. length)	3686700*	1	1.47
47-54	ALL (w/outside mtd. tank) (exc. SBC)	filler (2 $\frac{3}{8}$ x 8 $\frac{1}{2}$ dev. length)	3686957	1	1.78
48-54	DUBL-DUTI	lwr., filler (2 $\frac{1}{8}$ O.L.)	3687506	1	.87
49	PASS. (exc. SDL, STA. WAG.)	upr., filler, w/vent pipe	3692534	1	2.88
49-52	SDL, STA. WAG.	upr., filler (2 O.D. x 18 $\frac{1}{4}$ dev. length)	3688485	1	1.78
49-54	COMM., UTIL. (CAB)	upr., filler (9 $\frac{3}{8}$ dev. length)	3690073	1	2.88
49-52	PASS. (exc. SDL, STA. WAG.)	lwr., filler (9 $\frac{3}{8}$ dev. length)	3687816	1	1.52
49-53	SDL, STA. WAG. (1st design)	lwr., filler (3 $\frac{3}{4}$ O.L.)	3688108	1	.38
49-54	COMM., UTIL. (CAB)	lwr., filler (5 $\frac{3}{8}$ O.L.)	3690077	1	1.30
50-52	PASS. (exc. SDL, STA. WAG.)	upr. filler w/vent pipe (10 $\frac{1}{8}$ dev. length)	3696479	1	2.88
53-54	PASS. (exc. STA. WAG., SDL)	(19 $\frac{3}{4}$ O.L.)	3698467	1	1.78
53-54	STA. WAG., SDL	upper (21 $\frac{1}{4}$ dev. length)	3699302	1	1.78
53-54	STA. WAG., SDL. (2nd design)	lower (3 $\frac{3}{8}$ O.L.)	3705961	1	.45
35-36	EA, ED, FA, FC, FD (T. SED., S. SED.)				
37	PASS., COMM. (exc. SDL, BUS. CPE.)				
38-48	COMM., UTIL. (exc. COE)				
49-54	COMM., SBC (exc. DBL. UNIT)	HOSE, filler neck (2 $\frac{1}{4}$ I.D. x 5 $\frac{3}{4}$ length)	3654570	1	.77
38-48	PASS. (exc. BUS. CPE, CPU, SDL)				
49-54	SDL, STA. WAG.	HOSE, filler neck (1 $\frac{3}{4}$ I.D. x 6 $\frac{1}{2}$ length)	3688488	1	.82
49-52	PASS. (exc. SDL, STA. WAG.)				
49-54	COMM., UTIL. (CABS)	HOSE, filler neck (1 $\frac{3}{8}$ I.D. x 8 long)	3692531	A.R.	.70
49-52	PASS. (exc. SDL, STA. WAG.)	HOSE, vent pipe (cut 3 $\frac{1}{2}$ long)			
49-54	COMM., UTIL. (CABS)	HOSE, vent pipe (cut 2 $\frac{1}{8}$ long)	609742	A.R.	(4.931)
49	PASS. (exc. SDL, STA. WAG.)	PIPE, vent, lwr. (7 $\frac{1}{4}$ dev. length)	3687831	1	.58
49-54	COMM., UTIL. (CAB)	PIPE, vent, lwr. (6 dev. length)	3690139	1	.65
50-52	PASS. (exc. SDL, STA. WAG.)	PIPE, vent lwr. w/signal (10 $\frac{1}{8}$ dev. length)	3701026	1	.80

\*NOTE: Used on these jobs when gas tank is mounted on INSIDE of frame.

### 3.008 SEAL—CLAMP—RETAINER—GROMMET, Gasoline Tank Filler Neck

35-36	EA, ED, FA, FC, FD				
37-40	BUS. CPE., CPE. PICK-UP, SDL	filler neck (3 $\frac{3}{4}$ O.D. x 1 $\frac{1}{4}$ thick)	3650545	1	.33
37-39	BUS. CPE., CPE. PICK-UP, SDL,				
41-48	BUS. CPE., CPE. PICK-UP, SDL	filler neck floor pan (3 $\frac{1}{2}$ O.D. x 1 $\frac{3}{8}$ thick)	593527	1	.38
37-48	PASS. (exc. BUS. CPE., CPE. PICK-UP, SDL)	filler neck fender (3 $\frac{1}{2}$ O.D. x 1 $\frac{1}{2}$ max. thickness)	3653774	1	.33
38	HC, HD, HE, T (CABS)	filler neck (3 $\frac{1}{8}$ x 5 $\frac{3}{8}$ x $\frac{5}{8}$ thick)	597396	1	.38
39-46	$\frac{1}{2}$ TON (SINGLE UNIT)	filler neck (3 $\frac{3}{4}$ x 4 $\frac{1}{2}$ x $\frac{3}{4}$ thick)	3800461	1	.38
41-48	BUS. CPE., CPE. PICK-UP, SDL	filler neck (4 $\frac{3}{8}$ x 4 $\frac{5}{8}$ x 1 $\frac{1}{2}$ max. height)	3658166	1	.43
47-54	COMM. (SGL. UNIT)	filler neck, inner (body side panel)	3807278	1	.55
47-54	COMM. (SGL. UNIT)	filler neck, outer (body side panel)	3807282	1	.43
47-48	EP, ER, FP, FR (PICK-UP)	filler neck	3806433	1	.32
49	PASS. (exc. SDL, STA. WAG.)	filler neck, inner (body side panel)	3692553†	1	.17

†NOTE: On some models, it will also be necessary to replace existing retainer with 3692554.

49	PASS. (exc. SDL, STA. WAG.)	filler neck, outer (body side panel)	3688073	1	.33
49-54	SDL, STA. WAG.	filler neck	3702162	1	.36
49-54	CABS	filler neck	3690533	1	.43
53-54	PASS. (exc. SDL, STA. WAG.)	CLAMP	3709901	1	.60
49	PASS. (exc. SDL, STA. WAG.) (use w/3692553)	RETAINER, filler neck inner seal	3692554	1	.18
39-46	V, KF, WA, AN, YH, BN, MR, OR, DS, PJ (SGL UNIT)	GROMMET, filler neck body inner panel (3 1/8 x 4 1/8 x 3/8 thick)	3806231	1	.38

### 3.015 SUPPORT—BRACKET—BRACE—REINFORCEMENT, Gasoline Tank

40-46	WC, YS, YT, MS, MT, MY, OG, OW, OY, PL, PW, PX (w/side tank)	SUPPORT, bracket	350949	2	3.26
47-54	SBC	SUPPORT, bracket	3684177	2	3.52
49-54	COMM., UTIL. (CABS)	SUPPORT	3609482	2	.82
50-53	1/2 TON (exc. CAB),				
52-54	DUBL-DUTI,				
53	1 TON (PANEL, FFC) (exc. D-D)	SUPPORT	3693592	2	.23
54	1/2 TON (exc. CAB)	SUPPORT	3705366	2	1.65
54	1 TON (SGL UNIT, FFC) (exc. D-D)	SUPPORT	3705566	2	1.50
39-46	V, W, Y, BN, M, OR, OS, DS, PJ, PK, PV, PW (exc. COE, MT, MY) (COWL)	BRACKET, L	599053	1	.56
39-46	V, W, Y, BN, M, OR, OS, DS, PJ, PK, PV, PW (exc. COE, MT, MY) (COWL)	BRACKET, R	599054	1	.55
39-40	VE, VF, WD	BRACKET, rear, w/two bolts, front and rear,			
39-40	COE (exc. VE, VT, WD)	rear	3651196	2	.82
41-47	COE	BRACKET, front, w/two bolts	3651472	1	.82
39-40	VE, VF, WD,				
41-46	COE	BRACKET, upper, front	3693594	1	.92
47-48	1/2 TON,				
49-53	1/2 TON (exc. CAB)	BRACKET, upper, rear	3693728	1	1.03
47-48	1/2 TON,	BRACKET	3687164	2	1.03
49-53	1/2 TON (exc. CAB)				
47	ALL (w/outside tank) (exc. COE, QL, QX)	BRACKET, upper (w/inside tank)	3684523	2	1.03
47-48	ES, FS, UTIL. (exc. SBC, COE),				
49-53	1 TON (SGL UNIT, FFC) (exc. D-D)	BRACKET, lower (w/inside tank)	3684524	2	.33
47-48	ES, FS, UTIL. (exc. SBC, COE),	BRACKET	3688568	1	1.03
49-53	1 TON (SGL UNIT, FFC) (exc. D-D)	BRACKET	3687460	2	1.20
48-53	UTILITY (w/outside tank) (exc. SBC)	BRACKET	3705569	2	.95
48-54	DUBL-DUTI	BRACE, bracket (9 1/8 O.L.)	3687858	2	.53
54	UTIL. (w/outside tank) (exc. SBC)	REINFORCEMENT, strap	3705367	2	.10
47	QJ, OK, QV, QW	BOLT, bracket (spec. carr. hd. 1/4-20 x 1 1/8)	3661813	A.R.	(7.632)
54	1/2 TON (exc. CAB)				
39-48	COE				

### 3.022 STRAP, Gasoline Tank

36-37	FC, GA, GB (exc. BUS. CPE., SDL.)	lower (22 1/2 overall)	475571	2	.48
36	H (LOW ROOF CAB),				
37-46	COMM, UTILITY (CAB) (exc. COE)	w/two bolts (30 1/2 overall)	476972	2	.55
37-40	PASS. (BUS. CPE., CPE. PICK-UP, SDL.)	w/T-bolt (26 1/2 overall)	595557	2	.55
37-46	1/2 TON (SGL UNIT),				
39-46	COE,				
47-53	ALL (w/side mtd. tank) (exc. SBC)	(34 overall)	596678	2	.55
NOTE: When using 596678 on all 1947-48 jobs except COE, it is necessary to cut 4" from flat end and locate two bolt holes for attachment to bracket.					
36-39	PASS. (exc. BUS. CPE., CPU., SDL.)	lower (19 1/4 overall)	597119	2	.38
38-46	1/2 TON (SGL UNIT)	(38 overall)	597621	2	.55
40-46	WB, WC, YS, YT, MS, MT, MY, OS, OW, OY, PK, PL, PW, PX (etc.)	(24 overall) (used w/side mounted gasoline tank)	350926	2	1.69
41-48	PASS. (exc. BUS. CPE., CPU., SDL.),				
49-54	PASS. (exc. SDL., STA. WAG.)	(33 overall)	3658213	2	.48
41-48	BUS. CPE., CPE. PICK-UP, SDL	(27 overall)	3688426	2	.48
47-54	SCH. BUS CH.	(30 1/8 overall)	3664895	2	1.49
47-48	EP, FP,				
49	GP (SGL UNIT, FFC)	rear, w/support (35 1/8 O.L.)	3693463	1	1.35
47-48	EP, FP,				
49	GP (SGL UNIT, FFC)	front w/support (35 1/8 O. L.)	3693465	1	1.35



48-54	DUBL-DUTI,				
50-53	½ TON (exc. CAB).....	w/bolt (½—24) (35½ O.L.).....	3678297	2	.55
47-48	¾ TON (exc. D-D),				
49-54	¾ TON (FFC),				
48-54	COMM., UTIL. (CAB).....	upr., w/bolt (½—24) (25½ O.L.).....	3690131	2	.55
47-48	ES, QJ, QK, QV, QW, FS, RJ, RK, RV, RW, (w/inside tank),				
49-53	1 TON (SGL UNIT, FFC.) (exc. D-D)....	w/bolt (½—24) (31½ O.L.).....	3684623	2	.55
49-54	SDL., STA. WAG.....	left (30½ O.L.).....	3688189	1	.48
49-54	SDL., STA. WAG.....	right (31½ O.L.).....	3688190	1	.48
49-54	COMM., UTIL. (CAB).....	lwr. (4 O.L.).....	3690133	2	.38
54	½ TON (exc. CAB).....	w/bolt (34 long).....	3705364	2	.55
54	1, 1½, 2 TON (SGL UNIT, FFC) (exc. D-D, SBC).....	w/bolt (36¾ long).....	3705570	2	.65

### 3.023 BOLT—NUT, Gasoline Tank Strap

33-35	CA, CB, CC, DA, DB, P, EC, FB.....	T-BOLT (½—24 x 2½ overall).....	473343	2	.13
36	FC,				
37-39	PASS. (exc. BUS. CPE., CPU., SDL.),				
37-46	½, ¾ TON (exc. CAB),				
39-46	COE,				
47-53	ALL (w/side mtd. tank) (exc. SBC.).....	BOLT, lwr. strap (½—24 x 2½ hex. hd.).....	475570	2	.13
41-48	PASS. (exc. BUS. CPE., CPU., SDL.).....	BOLT, short carriage (½—16 x 1).....	120915	2	(8.903)
36	FC,				
37-39	PASS. (exc. BUS. CPE., CPU., SDL.),				
37-46	½, ¾ TON (exc. CAB),				
39-46	COE,				
47-53	ALL (w/side mtd. tank) (exc. SBC.).....	NUT, lwr. strap bolt (use w/bolt 475570).....	425569	2	.10

### 3.024 CAP, Gasoline Tank Filler, with Gasket

29-37	A, L, M, BB, N, O, P, Q, R, GD, GE, S (½ TON on A, BB; CAB on GD, GE).....	(threaded type—2½—14 thd.—cast 359770).....	359770	1	.94
31-37	PASS. (exc. BB, CB),				
38-48	ALL,				
49-53	STA. WAG., SDL., COMM., UTIL.,				
54	STA. WAG., SDL.....	w/baffle (2½ O.D.—1½ across ears)....	595857	1	.82
49-52	PASS. (exc. STA. WAG., SDL.).....	(outer shell 3½ across ears).....	511124	1	.50
53-54	PASS. (exc. STA. WAG., SDL.).....	(3½ O.L.).....	3698470	1	.54
53-54	PASS. (exc. STA. WAG., SDL.).....	locking type w/2 keys.....	986691	1	2.90
54	COMM., UTIL.....	(stainless steel).....	3709938	1	1.25
36-48	ALL (spec. equ.).....	SCREW, locking cap (No. 5—40 x ½).....	403949	3	(2.453)

### 3.025 GASKET, Gasoline Tank Filler Cap

29-48	ALL,				
49-54	STA. WAG., SDL., COMM., UTIL.....	(1½ I.D.) w/sprg. type cap.....	346578	1	.09

### 3.107 GAUGE, Gasoline Tank

31-36	ALL (exc. CC, DC, EC, FA, FC, FD).....	(single float type).....	862723	1	4.98
33-35	CC, DC, EC.....		862717	1	5.31
35-39	EA, ED, FA, FC, FD, GA, GB, HA, HB (not used on BUS. CPE., SDL. on GA, GB, HA, HB).....		1915463	1	5.36
36-38	R, GC, GD, GE, S, HC, HD, HE, T (CAB on R, GC, GD, GE, S, HC, HD, HE)....		1515465	1	4.98
37-38	BUS. CPE., SDL.....		1515464	1	5.57
37-46	½ TON (exc. CAB),				
47-48	½ TON,				
48-53	DUBL-DUTI,				
49-53	¾ TON (exc. CAB).....		1515466	1	5.36
37-39	GD, GE, HD, HE, JD, JE,				
40-46	KD, KE, AL, AM, BL, BM, DR (PANEL),				
39-48	*COE, QJ, QK, QV, QW, RJ, RK, RV, RW,				
47	*ES (FFC, CAB, PLATFORM),				
49-53	UTIL (FFC) (exc. SBC).....		1515467	1	5.36

\*NOTE: 1515467 used only on these models with OUTSIDE mounted tank.

39	PASS. (exc. BUS. CPE., CPU., SDL.)	1515483	1	4.29
39	BUS. CPE., CPE. PICK-UP, SDL.	1515484	1	3.55
39-46	COMM., UTIL. (exc. COE) (CAB on IC, ID, JE, KC, KD, KE, AK, AL, AM, BE, BL, BM, CK, DP, DR, PANEL on KF)	1516287	1	4.29
40	PASS. (exc. BUS. CPE., CPU., SDL.)	1516182	1	4.29
40	BUS. CPE., CPE. PICK-UP, SDL.	1516183	1	3.55
41-48	PASS.			
49-52	PASS. (exc. SDL., STA. WAG.)	1516280	1	3.55
45-53	SBC	1516334	1	5.36
47-48	ER, FR.			
49-54	¼ TON (FFC) (exc. D-D)	1516999	1	5.36
47	ES (FFC, CAB, PLATFORM)			
47-48	FS, QJ, QK, QV, QW, RJ, RK, RV, RW,			
49-53	1 TON (exc. CAB, D-D) w/inside mounted tank	1516983	1	5.36
49-53	SDL., STA. WAG.	1517100	1	5.36
49-53	COMM., UTILITY (CAB)	1517500	1	4.29
53-54	PASS. (exc. SDL., STA. WAG.)	1517761	1	3.76
54	COMM., UTIL. (CAB)	1517951	1	5.52
54	½ TON, D-D (exc. CAB)	1517952	1	5.52
54	1, 1½, 2 TON (SGL. UNIT, FFC) (exc. D-D, SBC)	1517950	1	5.52

### 3.108 GAUGE, Gasoline Instrument Panel

34-35	DA, EA, EC, ED	1515146	1	5.90
36	FC	1515206	1	4.39
36	ALL (exc. FC)			
37-39	COMM., UTIL.,			
40-46	COMM., UTIL. (FFC)	1515207	1	4.29
37	GB (exc. CONV.)	1515336	1	3.85
37-38	GA, GB, HA, HB (CONV. on GB, HB)	1515341	1	4.12
38	HE (exc. CONV.)			
39	PASS. (light dial w/red pointer)	1515366	1	4.29
40	ALL (exc. FFC)			
41-46	COMM., UTIL. (exc. FFC) (dark brown trim)	1516451	1	4.29
41	PASS.	1516293	1	4.29
42-48	PASS.	1516991	1	4.29
47-48	COMM., UTILITY	1516973	1	5.71
49-50	PASS.	1517341	1	4.29
49-53	COMM., UTIL.,			
54	FLAT FACE COWL	1517169	1	4.29
51-52	PASS.	1517255	1	4.24
53-54	PASS. (part No. on face)	1517598	1	4.29
54	COMM., UTIL. (exc. FFC)	1517880	1	3.86

### 3.112 GASKET—SEPARATOR, Gasoline Gauge

31-54	ALL	GASKET, tank (1½ I.D. x 2½ O.D.)	1516061	1	.05
30-39	ALL,				
40-46	COMM., UTIL. (FFC) (exc. COE),				
41-46	AG, AH, BG, BH, DJ, DK	SEPARATOR, inst. panel gauge terminal,			
47-54	ALL	(¾ x 1½ stamped "TANK" and "IGN")	1515642	1	.08

### 3.158 PIPE, Gasoline Tank to Fuel Pump (cut from coil tubing, group 8.964)

	Pipe O.D.	Length		Pipe O.D.	Length
28-31	AC, AD, AE (PASS.)	¾ 128½	37-38	PASS. (exc. CPE.)	¾ 117½
29	AC (COMM.), LQ	¾ 61½	37-38	CPE.	¾ 78½
32-33	BA, CA, CB	¾ 125½	37	½ TON (exc. CAB)	¼ 91½
30-32	AD, AE, BE (RDL., ½ TON)	¾ 74½	37-38	½ TON (CAB)	¼ 80½
30-33	1½ TON	¾ 74½	37-38	1½ TON	¼ 45½
34	DA	¾ 128	37-38	¾, 1 TON (exc. CAB)	¼ 58½
34	DE	¾ 129½	37-38	¾, 1 TON (CAB)	¼ 49½
34	DC	¾ 123½	38	½ TON (exc. CAB)	¼ 59½
34	P	¾ 68½	39	PASS. (exc. CPE., SDL.)	¾ 127
35-36	EA, ED, FA, FD	¾ 127	39	CPE., SDL.	¾ 84½
35-36	EB, FB	¾ 126	39-40	IC, ID, JE, KC, KD, KE (exc. CAB)	¼ 68½
35-36	EC, FC	¾ 121½	39	IC, ID, JE (CAB)	¼ 57½
35-36	Q, R	¾ 85½	39-40	UTIL. (exc. COE)	¼ 57½

		Pipe O.D.	Length			Pipe O.D.	Length
39-40	VE, VF, WD	1/4	70	47-53	1/4 TON (exc. CAB, D-D),		
39-40	VG, VH, VM, VN, WE, WT	1/4	74 3/4	49-53	COE (CABS)	5/16	56
40	PASS. (exc. 2 CPE., SDL.)	5/16	131 1/4	47-48	ES, QJ, QV, FS, HJ, RV,		
40	2 CPE., SDL	3/16	90 3/4	48-53	DUBL-DUTI	5/16	94 1/2
40	CONV.	5/16	133	47-48	OK, QW, RK, RW	3/16	118
41-48	SED., 4 CPE., STA. WAG.	3/16	135 1/2	47-48	QL, QX, RL, RX	3/16	89 5/8
41-48	2 CPE., CPE. PICK-UP, SDL	3/16	87	47-48	COE	3/16	77
41-54	CONV. (front pipe)	3/16	66	49-54	CONV. (rear pipe)	3/16	89
41-48	CONV. (rear pipe)	3/16	69 3/4	49-54	PASS. (exc. CONV., SDL., STA. WAG.)	3/16	151
41	COMM., UTIL. (exc. COE)	1/4	54 3/8	49-54	COMM., UTIL. (CAB) (exc. COE) front	3/16	81 1/2
41	COE	1/4	70	49-53	1 TON (exc. CAB)	3/16	89
42-46	BK, BL, BM, CK	1/4	54 1/8	49-54	SDL., STA. WAG.	3/16	154
42-46	BN, MR, MS, OE, OF, OR, OS	3/16	54 1/2	53-54	1/2 TON (exc. CAB)	3/16	122
42-46	MT, MY, OG, OW, OY	3/16	79 1/4	54	1/4 TON (FTC)	3/16	73
42-46	MU, MV, MW, OH, OI, OJ	1/4	70	54	1 TON (exc. CAB, D-D)	3/16	107
46	DP, DR (Sgl. Unit)	3/16	72 1/8	54	DUBL-DUTI (front)	3/16	100
46	DP, DR, DS, PJ, PK, PV, PW (CAB)	3/16	54 1/2	54	COE (front)	3/16	70
46	PL, PK	3/16	80 1/8	54	COMM., UTIL. (CAB) (rear)	3/16	16
46	PP, PR, PS	3/16	70 1/2				
47-52	1/2 TON (exc. CAB on GP, HP, JP, KP),						
49-54	UTIL., SBC. (FTC)	3/16	105				

### PIPE, Fuel Pump to Carburetor

		Pipe O.D.	Length			Pipe O.D.	Length
29-31	ALL	5/16	26	50-53	ALL (exc. D-D, COE, SBC),		
32	ALL	3/16	37	54	ALL (exc. D-D, COE)	3/16	37
33	ALL	3/16	38	50-53	DUBL-DUTI, COE, SBC,		
34	DA	3/16	37	54	DUBL-DUTI	3/16	43
34	DB, DC, P	1/4	37	54	COE	3/16	55
35-49	ALL	3/16	41				

### 3.163 PIPE ASSEMBLY, Flexible—Gasoline or Oil Lines

ALL	ALL	(7 length overall—1/16—24 and 3/8 pipe thds.—both ends solid w/ext. thds.)	593306	A.R.	1.00
ALL	ALL	(7 length overall—3/16—24 ext. thd. end solid—3/16—24 int. thd. free to turn)	3661496	A.R.	.95
ALL	ALL (For use where 1/4 tubing used.)	(6 3/4 length overall—1/2—20 int. thd. end free to turn—1/2—20 ext. thd. end solid)	3663928	A.R.	.95
46	DS, PJ, PV, (FTC)	(10 O.L.—1/2—20—used w/side mounted tank—fuel pump end)	3847404	1	1.25
ALL	ALL	(13 length overall—1/16—24 end free to turn, 3/8 pipe thread end solid)	3702341	A.R.	.85
29-51	ALL				
52	COMM., UTIL. (exc. D-D, COE)	(19 O.L.—1/16—24 end free to turn, 3/8 pipe thd. end solid)	3654629	A.R.	1.25
53-54	ALL (exc. D-D, COE)	(front to rear hose assy.) (1/2—20 int. thd. both ends 6 3/4 O.L.)	3703395	1	.95

### 3.164 SHUT-OFF, Gasoline Feed Pipe (also see groups 3.951 and 3.963)

37-39	BUS. CPE., CPE. PICK-UP, SDL	(2 1/16 length overall closed—1/8 pipe and 1/2—24 thds.)	598514	1	.55
40	BUS. CPE., CPE. PICK-UP, SDL	(4 5/4 length overall—1/8 pipe and 1/2—24 thds. ext. and 1/8 pipe int.)	3653853	1	.82
41-42	BUS. CPE., CPE. PICK-UP, SDL	(3 length overall—1/8 pipe and 1/2—24 thds. ext. and 1/8 pipe int.)	3658366	1	.82
42-46	BN, MR, MS, OE, OF, OR, OS, DP, DR, DS, PJ, PK, PV, PW	(1 1/2 length overall closed—1/8 pipe ext.—1/2—20 int. thds.)	2092549	1	.75
46-48	BUS. CPE., SDL	(1 1/8 length overall closed—1/8 pipe ext. and int.—1/2—20 int.)	3681215	1	1.09
49-53	COMM., UTIL. (CABS)	CONNECTOR (frt. feed pipe to rear feed pipe)	3668991	1	.65
46-54	CONV.	NUT (hex. 1/2—24)	3659096	1	.06
41-42	CONV.				

### 3.265 MANIFOLD, Engine Intake (exhaust manifold in group 3.601)

37-39	ALL (exc. COE)	(cast 839008)	604112	1	5.29
-------	----------------	---------------	--------	---	------

NOTE: When using 604112 on 1937-38 jobs remove outer pipe plug, when using on 1939 jobs remove inner pipe plug for w/s wiper connections.



39-42	COE (also DUBL-DUTI PANEL)	(cast 839688)	839687	1	9.08
40-49	ALL (exc. DUBL-DUTI, COE)				
50-53	ALL w/216	(cast 3835395, 3835527)	3691933	1	6.06
46-49	DUBL-DUTI, COE	(cast 3835442)	3690881	1	11.85
50-54	ALL w/235, 261 (exc. D-D, COE)	(cast 3835590)	3694163	1	6.06
50-54	DUBL-DUTI, COE	(cast 3835582)	3835581	1	11.85

**3.270 GASKET UNIT, Manifold (1 center and 2 end gaskets and 1 exhaust pipe packing)**

29-33	ALL		364104	1	.60
34-36	ALL		600460	1	.60
37-49	ALL (exc. GI, GK),				
51-52	PASS. (exc. P.G.),				
53	SDL		602483	1	.60
49-50	PASS. (exc. P.G.),				
50-53	COMM., UTIL. w/216		3692351	1	.54
50	ALL w/235,				
51-54	COMM., UTIL. w/235, 261		3694871	1	.54
51-52	PASS. w/P.G.,				
53	PASS. (exc. SDL),				
54	PASS.		3707045	1	.55

**3.272 GASKET, Intake to Exhaust Manifold**

32-36	ALL	(3 1/2 x 5 1/2 overall)	836727	1	.20
37-49	ALL (exc. DUBL-DUTI, COE)				
50-53	ALL w/216	(3 1/2 x 4 3/16 overall)	638290	1	.20
39-54	DUBL-DUTI, COE	(3 1/4 x 7 1/2 overall)	596268	1	.20
50-54	ALL w/235, 261 (exc. DUBL-DUTI, COE)	(3 1/16 wide on I.D.)	3835572	1	.20

**3.273 CLAMP, Manifold**

29-36	ALL	(1 3/8 length overall)	835687	4	.17
37-49	ALL	(2 1/8 length overall)	838546	4	.17
49-54	ALL	end (1 1/2 length overall)	3835424	2	.17
50-54	ALL	(2 1/8 length overall)	3835505	4	.17

**3.275 STUD, Manifolds and Manifold to Head and Exhaust Pipe Flange (also see group 3.268)**

29-49	ALL				
39-50	D-D, COE	exh. mfd. ends to hd., exh. pipe flg., int.			
51-54	ALL	to exh. mfd. (3/8-16-16 x 1 3/4)	837552	A.H.	.12
34-36	ALL	int. to exh. manifold (3/8-16-24 x 4 3/4)	837455	2	.16
37-49	ALL				
50-54	ALL w/216, DUBL-DUTI, COE	int. to exh. manifold (3/8-16-16 x 2 3/8)	838347	2	.16
49-54	ALL	(1 end threaded—other end used as dowel to line up manifold—3/8-16 x 2 3/8)	3835487	2	.06
50-54	ALL w/235, 261 (exc. DUBL-DUTI, COE)	int. to exh. manifold (3/8-16-16 x 2 3/8)	3835576	2	.18

**3.276 WASHER, Intake and Exhaust Manifold**

29-48	ALL	(1 3/8 I.D. x 1 3/8 O.D. x 3/8 thick)	835688	2	.02
-------	-----	---------------------------------------	--------	---	-----

**3.277 NUT, Manifold End Studs and Exhaust Pipe Flange (special thin)**

29-54	ALL	(3/8-16 x 3/8 thick)	838780	4	.09
-------	-----	----------------------	--------	---	-----

**3.278 FITTINGS, Manifold, Wiper and Power Brake (also see group 3.943)**

35-38	ALL (exc. FC, GB)	TEE, manifold pipe (3 way—threaded on two outlets only)	593111	1	(10.154)
39-42	PASS. (exc. CONV.)	TEE, manifold pipe (3 way—thrd. type)	3650554	1	(10.154)
40-41	CONV.	TEE, suction pipe extension (4 way—threaded type—128° angle)	3656186	1	(10.154)
46-48	PASS.	TEE, gearshift vac. cyl. pipe and w/s wiper (3 way threaded)	3682937	1	(10.154)

50-53	PASS. w/P.G.	TEE, trans. modulator vac. pipe to int. manifold...	3692804	1	(10.154)
50-54	PASS. w/P.G. (w/vac. pump)	TEE, W/S wiper ( $\frac{7}{16}$ -24 x $\frac{1}{16}$ -24 x $\frac{1}{8}$ pipe thd.)	3684156	1	(10.154)
40-46	ALL (w/rear window wiper)	CONNECTOR, hose (3 way for $\frac{1}{8}$ I.D. hose)	3682929	1	(16.066)
46-53	COMM., UTIL. (exc. D-D, COE),				
54	ALL (exc. D-D, COE)	CONNECTOR (2 way—for $\frac{1}{4}$ hose)	3682936	1	(16.066)
46	PI, PK, PL (w/Vac. Power Brake),				
46	PV, PW, PX	CONNECTOR (3 way—for $\frac{1}{8}$ hose)	3682291	1	(16.066)
46	PP, PR, PS	CONNECTOR (3 way—2 ext.—1 int. thd.)	3681483	1	(4.898)
46	COE (2-Spd. Axle—Vac. Shift)	CONNECTOR, three way	3684718	1	(16.066)
47-54	COE (exc. 261)	CONNECTOR (3 way—1 ext.—2 int. thd.)	3686099	1	(4.898)
48-54	UTIL. (exc. COE)	CONNECTOR (3 way—1 ext.—2 int. thd.)	3690748	1	(4.898)
49-53	PASS.	CONNECTOR, silencer, w/s wiper manifold	3692489	1	(16.066)
48-54	COMM., UTIL. (exc. DUBL-DUTI)	ELBOW ( $\frac{1}{4}$ —90 degree) (filter and vac. booster)	137421	A.R.	(8.963)
49-54	PASS.	BUSHING, red. $\frac{1}{2}$ ext. thds. $\frac{1}{8}$ int. thds.	144050	1	(8.963)
40-46	ALL				

### 3.291 SLEEVE, Intake Manifold to Cylinder Head

39-49	ALL,				
50-53	ALL w/216	(1 $\frac{13}{16}$ O.D. closed x $\frac{3}{8}$ wide)	837273	3	.07
50-53	ALL w/235,				
54	ALL	(1 $\frac{17}{16}$ O.D. closed x $\frac{3}{8}$ wide)	3835506	3	.07

### 3.298 STUD, Intake Manifold Riser and Governor to Carburetor (also see group 3.275)

34-42	ALL (exc. COE) (on WC, YI, MY, MT w/o gov. only),				
46-49	ALL (exc. 2-TON),				
50-54	ALL (exc. D-D, COE)	manifold to carb. ( $\frac{3}{8}$ -16-24 x 1 $\frac{5}{16}$ )	494520*	2	.13
*NOTE: Used in inside hole of flange w/o governor and in both holes of flange with governor on 1940 Commercial and WA, WB.					
40	COMM., UTIL. (exc. COE) (used in outside hole of carb. flange w/out gov.)	manifold to carb. ( $\frac{3}{8}$ -16-24 x 1 $\frac{13}{16}$ - $\frac{7}{16}$ dia. shldr.)	839340	1	.13
36	FA, FC, FD	(also attach. horn brkt.) ( $\frac{3}{8}$ -16-24 x 4 $\frac{5}{16}$ )	837455	2	(3.275)
37-52	ALL (w/governor),				
53-54	ALL (w/gov.) (exc. P.G., A.T., D-D)	manifold to carb. ( $\frac{3}{8}$ -16-24 x 3 $\frac{1}{16}$ )	596217	A.R.	.13

### 3.402 CLEANER, Carburetor Air

NOTE: A.C. denotes Automatic Choke.

32	PASS.,				
33	SDL,				
35-49	PASS. (use w/gov.),				
32-42	COMM., UTIL. (exc. COE),				
46-53	COMM., 1 $\frac{1}{2}$ TON (exc. D-D),				
54	COMM., 1 $\frac{1}{2}$ TON (exc. D-D, hvy duty eng.)	(reg. prod.)	1529264	1	5.10
37-48	PASS.	w/silencer (reg. prod.) (can not use w/gov.)	1529667	1	7.24
35-40	ALL (exc. EC, WC, COE),				
41-48	PASS. (not used w/gov. on PASS.)	oil bath, w/silencer (hvy. duty)	1528964	1	6.76
33-37	COMM., UTILITY,				
34-39	PASS.,				
39-46	COE, OE, OF (exc. PP, PR, PS)	oil bath (hvy. duty),			
40-48	ALL (exc. hvy. duty eng.)	oil bath (use w/gov.),			
49-54	COMM., 1 $\frac{1}{2}$ TON (exc. D-D)	oil bath (use w/gov.) (1 pt. capacity)	1525918 <sup>4</sup>	1	4.95
46-53	COE (exc. OH, OI, OJ)	oil bath (2 qt. capacity)	1544981	1	32.41
40	WB, WC,				
41-42	COMM., UTILITY,				
46-54	COMM., UTIL. (exc. D-D, COE)	oil bath w/shield (1 qt. capacity)	1542078	1	13.41
49-53	PASS.	w/silencer (cannot use w/gov.)	1551195	1	9.12
41-54	DUBL-DUTI.	w/out oil bath	864133	1	4.83
49	PASS.	oil bath, w/silencer (hvy. duty)	1544498	1	19.67
50-54	PASS. (use w/gov.)	oil bath, w/silencer (hvy. duty) (1 pt. cap.)	1544771	1	19.71

50-54	PASS. (w/o gov.),				
54	COE (w/o gov.)	oil bath, w/silencer (hvy. duty—1 pt. cap.)	1551238*	1	7.35
50-53	DUBL-DUTI	UNIT (oil bath)	3699872*	1	24.52

\*NOTE: The prices shown are subject to the provisions of the Fair Trade Acts of those States having such laws.

\*NOTE: Replacement parts for 3699872 may be procured through your normal G.M.P.D. warehouse on special order.

### 3.403 SUPPORT, Air Cleaner

39-46	COE (exc. PP, PR, PS)	(cast 3651093)	3651093	1	1.57
49-54	PASS.		3690255	1	.71
54	COE	carb. to air cleaner upper pipe	2243570	1	1.25

### 3.407 PIPE—HOSE—SPRING, Air Cleaner to Carburetor

39-46	COE (exc. PP, PR, PS)	PIPE (2 $\frac{1}{8}$ flange I.D. x 15 length overall)	3651211	1	1.00
46-53	COE (exc. OH, OI, OJ) (w/gov.)	PIPE (19 $\frac{3}{8}$ overall)	3681938	1	2.08
46-53	COE (exc. OH, OI, OJ) (w/gov.)	PIPE (elbow)	3681992	1	1.83
51-53	COE	PIPE (2 $\frac{1}{2}$ O.D. x 21 $\frac{1}{8}$ devel. length)	3696512	1	2.97
54	COE	PIPE, with support	3708160*	1	2.97
39-46	COE (exc. PP, PR, PS)	HOSE (2 $\frac{3}{8}$ I.D. x 16 $\frac{1}{2}$ length)	3658079	1	.71
46-50	COE (w/gov.) (exc. OH, OI, OJ)	HOSE (2 $\frac{1}{2}$ I.D. x 11 $\frac{1}{8}$ length)	3685320	1	.75
51-53	COE (w/gov.)	HOSE (2 $\frac{1}{2}$ I.D. x 12 $\frac{1}{8}$ long—rubber)	3695805	1	.88
54	COE	HOSE (2 $\frac{1}{4}$ I.D. x 24 O.L.) (stamped 2243591)	2243591	1	4.25
46	PP, PR, PS	SPRING, pipe support	369511	1	(3.616)

\*NOTE: On Standard jobs plug hole in small pipe welded to Assy.

### 3.410 COVER—ELEMENT, Air Cleaner

32-36	PASS.	COVER, w/felt (6 $\frac{1}{4}$ O.D.)	865296	1	.86
37-48	PASS.	COVER, w/felt (7 $\frac{3}{4}$ O.D.)	1544808	1	1.62
49-54	PASS.	COVER, w/felt	1551005	1	2.14
37-48	PASS.	ELEMENT (5 $\frac{1}{2}$ I.D. x 7 O.D. x 1 $\frac{3}{8}$ high)	1528439*	1	1.05
49-54	PASS.	ELEMENT	1528698*	1	1.45

\*NOTE: The prices shown are subject to the provisions of the Fair Trade Acts of those States having such laws.

### 3.425 SWIVEL—CLIP—BUSHING—CLEVIS—SLEEVE, Throttle Control Rod



3703528



3700188

53	PASS.				
54	DUBL-DUTI w/A.T.	front rod (1 $\frac{5}{8}$ O.L.)	3702380	1	.15
53	PASS. w/P.G.				
54	COMM. w/A.T.	carb. to accel. lever rod	3703516	1	.13
54	COMM. w/A.T.	throttle valve lever control rod	3705971	1	.15
54	COMM. w/A.T. (exc. D-D)	accel. rod to accel. control lever	3708448	1	.15
53-54	PASS. w/P.G.				
54	COMM. w/A.T.	CLIP, carb. to accel. lever rod attach.,			
53-54	PASS.	accel. front rod swivel	3703528	A.R.	.15
37-52	PASS. (w/Rock.)				
49	COMM., UTIL. (exc. D-D, COE)				
53-54	PASS. (exc. P.G.)	CLIP, carb. to accel. lever rod attach.	3700188	1	.15
54	PASS.	BUSHING, accel. front rod	3707710	1	.10



54	PASS.	BUSHING, accel. rod bell crank.	3707712	2	.10
54	DUBL-DUTI w/A.T.	BUSHING, accel. and carb. control lever.	3707646	1	.30
33-37	CA, CC, D, P, E, Q, FA, FD, GA,				
50-54	DUBL-DUTI.	CLEVIS, accel. to lever ( $\frac{1}{4}$ -28 thd. 2 O.L.)	372701	1	.18
54	PASS.	SLEEVE, front rod ( $\frac{1}{4}$ I.D. x $\frac{3}{8}$ O.L.)	3707713	1	.15

### 3.430 ROD, Carburetor to Accelerator Lever

37-39	ALL (exc. COE)		593608	1	.18
40-49	PASS., COMM. (exc. DUBL-DUTI),				
40-49	WA, WB, YR, YS, MR, MS, OE, OF, OR,	w/out gov.	3659429	1	.33
	OS, PI, PK, QI, QK, RJ, RK, SI, SK.		3659443	1	.43
40-49	ALL (exc. COE) (w/gov. and full throttle)				
40-48	K, WA, WB, A, YR, YS, B, MR, MS, CK,	w/gov. and half throttle	3659547	1	.33
	D, OR, OS, PI, PK, E, F.				
40	ALL (exc. WC, COE) (w/econ. eng., half throttle),				
41-48	A, YR, YS, B, MR, MS, CK, D, OR, OS, PI,		3659541	1	.33
	PK, E, F.		2167416	1	.98
46	OE, OF, OG.		3685759	1	.25
47-49	COE.		3690315	1	.55
48-54	DUBL-DUTI (exc. A.T.)	bell crank.			
50-52	ALL (exc. D-D, SBC, COE),	(11 $\frac{1}{2}$ O.L.—not used w/gov.)	3696702	1	.33
53-54	ALL (exc. P.G., A.T., D-D, SBC, COE)				
50-53	ALL (exc. D-D, COE),	(12 $\frac{1}{2}$ O.L.—used w/gov.)	3696703	1	.43
54	COMM., UTIL. (exc. A.T., D-D, COE)		3693305	1	.25
50-53	COE (w/gov.)	(20 $\frac{1}{8}$ O.L.—not used w/gov.)	3696831	1	.33
51-53	COE.	(13 $\frac{1}{4}$ dev. length w/ $\frac{1}{4}$ -20 thds.)	3703515	1	.35
53-54	PASS. w/P.G.	(15 $\frac{3}{8}$ dev. length, w/ $\frac{1}{4}$ -20 thds.)	3707611	1	.50
54	COMM. w/A.T. (exc. D-D)	(12 $\frac{3}{8}$ dev. length, w/ $\frac{1}{4}$ -20 thds.)	3707642	1	.35
54	DUBL-DUTI, w/A.T.	(24 $\frac{1}{16}$ dev. length)	3705955	1	.45
54	COE.				

### 3.431 ROD, Accelerator Pedal to Lever

34-35	DB, P, EB, Q	( $\frac{1}{4}$ -28 thd. both ends)	374493	1	.37
36	FA, FD	( $\frac{1}{4}$ -28 thd. one end—rd. knob one end)	476333	1	.92
36	FC	(rd. knob one end)	476391	1	.70
36	FB, R	( $\frac{1}{4}$ -28 thd. one end)	476497	1	.43
37	GA	( $\frac{1}{4}$ -28 thd. one end—rd. knob other end)	597101	1	1.18
37-39	PASS. (exc. GA)	(rd. knob one end)	598205	1	1.18
37-40	$\frac{1}{2}$ TON	(rd. knob one end)	594457	1	.80
37-40	COMM., UTIL. (exc. $\frac{1}{2}$ TON, COE)	( $\frac{1}{4}$ -28 thd. one end)	594095	1	.48
39-42	COE, D-D (w/3656989)	(rd. knob one end)	3651171	1	.48
40	PASS.	(rd. knob one end)	3654143	1	1.18
41-42	COMM., UTIL. (exc. COE) (w/3656989)	(rd. knob one end)	3658583	1	.92
42-46	COMM., UTIL. (exc. COE) (w/3681341)	( $\frac{1}{4}$ hole one end)	3672647	1	.70
41-46	COE, D-D (w/steel pedal only)	( $\frac{1}{4}$ hole one end)	3672755	1	.48
41-48	PASS.	(hole in one end)	3687600	1	.92
47-48	COMM., UTIL. (exc. D-D, COE)	( $\frac{1}{4}$ hole one end)	3684272	1	.43
47-52	COE.	( $\frac{1}{4}$ hole one end)	3685743	1	.48
48-52	DUBL-DUTI	( $\frac{1}{4}$ hole one end)	3687538	1	.48
49	PASS.	(rd. knob one end)	3688133	1	.80
50-52	PASS.	(rd. knob one end)	3687211	1	.80
50-52	COMM., UTIL. (exc. D-D, COE)	(17 $\frac{1}{4}$ overall length)	3692751	1	.43
53	PASS.	front ( $\frac{1}{4}$ -20 thds. one end—7 $\frac{1}{8}$ O.L.)	3703519	1	.27
53-54	PASS.	rear (rd. knob one end—5 $\frac{3}{8}$ O.L.)	3702379	1	.30
53-54	COMM., UTIL. (exc. A.T., D-D, COE)	(rd. knob one end—17 $\frac{3}{8}$ O.L.)	3701623	1	.43
53-54	DUBL-DUTI (exc. A.T.)	(rd. knob one end—5 $\frac{3}{4}$ O.L.)	3701627	1	.30
53-54	COE.	(rd. knob one end—8 $\frac{1}{8}$ O.L.)	3701625	1	.45
54	PASS.	front ( $\frac{1}{4}$ -36 thds. one end)	3707709	1	.27
54	COMM. w/A.T.	(15 dev. length)	3707603	1	.45
54	DUBL-DUTI	(6 $\frac{5}{8}$ O.L.)	3707647	1	.35

### 3.440 CHECK, Carburetor Throttle Return

50-54	PASS. w/P.G.		7003220	1	2.25
-------	--------------	--	---------	---	------

### 3.451 BUTTON—PEDAL—COVER, Accelerator

29	ALL,				
30-40	COMM., UTIL. (exc. GC, HC, IC, KC, COE)	BUTTON (steel—1½ O.D.—¼—28 thd.)	346327	1	.16
33-34	CA, DA	PEDAL (rubber—2¾ x 8¼ overall)	372529	1	1.29
33-35	CC, DC, EC	PEDAL (rubber—2¾ x 7¼ overall)	473939	1	1.29
35-39	PASS. (exc. EC)	PEDAL (rubber—2¼ x 8¼ overall)	594286	1	1.29
37-40	½ TON, COE	PEDAL (rubber—1¼ x 7¾ overall)	3653533	1	1.29
40-48	PASS.	PEDAL, w/bracket (rubber—1¼ x 8¾ overall)	3658481*	1	1.29
41-42	COMM., UTILITY	PEDAL (rubber—2¾ x 7¼ overall)	3656989	1	1.29
42-46	COMM., UTILITY	PEDAL (rubber—2¼ x 8¼ overall)	3681341	1	1.29
47-52	COMM., UTILITY	PEDAL (rubber—2¾ x 8¼ O.L.)	3682873	1	1.29
49-54	PASS.	PEDAL, w/bracket (rubber—1¼ x 8¾ overall)	3688127	1	1.29
53-54	COMM., UTIL.	PEDAL (rubber—2¾ x 8¼)	3701621	1	1.24
48-54	PASS.	COVER, pedal (6 covers)	986325	1	7.00

\*NOTE: When using 3658481 on 1940 remove bracket riveted to floor board.

### 3.452 RETAINER—BRACKET, Accelerator Pedal

39-40	PASS. (exc. EC),	RETAINER (base size 1½ x 1¼)	378329	1	.06
37-40	½ TON, COE	RETAINER (base size 1 x 2)	3656991	1	.17
41-42	COMM., UTIL. (exc. COE) (w/3656989)	BRACKET (base size 1¼ x 2) (use w/pedals 3681341, and 3682873)	3672716	1	.17
42-46	COMM., UTIL. (exc. COE)	BRACKET (base size 1¼ x 2)	3672752	1	.17

### 3.455 BRACKET—Accelerator Control Lever

41-52	COE		3690695*	1	.67
53-54	COE	(2¼ inside legs—w/1" welded spacer)	3703573	1	.67

\*NOTE: On 1941-48 COE, 3690701 Lever and 3690694 Shaft must also be used.

### 3.457 PIN, Accelerator Pedal

41-46	COMM., UTIL. (w/steel pedal only)	(5/16 dia. x 2¾ dird. one end)	3672718	1	.13
47-54	COMM., UTILITY	(5/16 x 2¾)	3684274	1	.22

### 3.459 SPRING—PIN—CLIP, Accelerator



3659432



638421

29-33	ALL	accel. rod anti-rattle (5/16 free length—both ends closed)	346331	1	.06
32-33	B, N, CB, O	pull back (9¾ free length one hook, one loop end)	367887	1	.22
34-36	ALL	pull back (4¾ free length two hook ends)	476461	1	.22
36	FC	throttle control lever (3¾ free length—two hook ends)	476459	1	.22
37	ALL	pull back (2½ approx. free length—two hook ends)	593599	1	.22
37-40	ALL (exc. COE)	pull back and control lever (2¾ free length—two hook ends)	3650230	1	.22
40-48	COE	acc. control lever (1¾ free length—one-half hook, one straight end)	3654042	1	.22
40-54	COE	pull back (2¾ free length—two loop ends)	3654040	1	.22
41-49	ALL (exc. DUBL-DUTI, COE)	pull back (5¼ free length—two hook ends)	3659431	1	.22
48-54	DUBL-DUTI	pull back (3¾ free length—two hook ends)	3687550	1	.27
50-52	ALL (exc. D-D, COE)	pull back (5¼ free length, two hook ends 1½ in. long)	3695705	1	.22
53-54	COMM., UTIL. (exc. D-D, COE)	(6¾ free length, 2 hook ends 2¾ lg.)	3703450	1	.22
53-54	PASS. (exc. P.G.)	(8 free length, 2 hook ends 3¾ lg.)	3705604	1	.22
53-54	PASS. w/P.G.				
54	COMM. w/A.T.	accel. and carb. control lever torsion	3705991	1	.20

54	COMM. w/A.T. (exc. D-D)	accel. pull back	3710404	1	.20
37-40	ALL (exc. COE)	PIN, lever spring (pressed in block) (9 serrations—1 $\frac{3}{8}$ length overall)	838421	1	.22
41-52	ALL (exc. D-D, COE),				
53	COMM., 1 $\frac{1}{2}$ TON (exc. D-D)	CLIP, pull back spring ( $\frac{1}{4}$ x 1 $\frac{1}{4}$ )	36S9432	1	.06
53	2 TON (exc. COE)	CLIP, pull back spring ( $\frac{3}{4}$ x 1 $\frac{11}{16}$ )	3701299	1	.06

### 3.480 GROMMET—SEAL—WASHER, Accelerator Rod Toe Board

33-35	CA, CC, DA, DC, EC	GROMMET ( $\frac{7}{16}$ I.D.—3 attach. holes—round)	371210	1	.38
35-40	PASS. (exc. EC)	GROMMET ( $\frac{7}{16}$ I.D.—3 attach. holes—round w/flat on top)	378431	1	.38
37	$\frac{1}{2}$ TON				
38-46	HC, JC, VE, VF, VG, VH, VM, VN, EC, WD, WE, WF, AK, AL, AM, AN, Y, BK, BL, BM, BN, M, C, G	GROMMET ( $\frac{7}{16}$ I.D.—6 attach. holes—round floating bushing)	597715	1	.38
38-40	HD, HE, T, ID, IE, VA, VE, VC, VD, KD, KE, KF, WA, WB, WC	GROMMET ( $\frac{9}{16}$ I.D.—6 attach. holes—round floating bushing)	597717	1	.38
41-54	ALL (exc. AK, AL, AM, AN, Y, D-D)	SEAL (felt— $\frac{1}{16}$ I.D. x 1 $\frac{1}{4}$ O.D. x $\frac{3}{8}$ thick)	3695652	1	.06
41-52	ALL (exc. AK, AL, AM, AN, Y, D-D)				
53-54	COMM., UTIL. (exc. D-D)	WASHER (fibre $\frac{5}{8}$ I.D. x 1 $\frac{1}{4}$ O.D.)	3658395	2	.07
53-54	PASS.	WASHER (fibre $\frac{1}{2}$ I.D. x 1 $\frac{3}{8}$ O.D.)	3702381	2	.07

### 3.481 ROD, Throttle with Button, Wire and Tube

29-38	ALL,				
39	COMM., UTIL. (exc. COE),				
40-46	COMM., UTIL. (FFC)	(47 $\frac{5}{8}$ length overall—plain rd. knob)	604302	1	1.15
39	PASS.	(47 $\frac{3}{4}$ length overall—plain sq. knob)	604312	1	1.15
40	KA, KB, KH (STA. WAG. on KB)	(36 $\frac{1}{8}$ length overall—rect. knob "T")	3654270	1	1.15
39	COE,				
40	COMM., UTIL. (exc. SBC, FFC),				
41-46	COMM., UTIL. (exc. COE, FFC)	(56 $\frac{3}{8}$ length overall—sq. knob "T")	3654274	1	1.15
41-46	COE	(40 $\frac{1}{2}$ length overall—sq. knob "T")	3657165	1	1.15
41-48	PASS.	(36 $\frac{1}{4}$ length overall—rd. knob "T")	3664776	1	1.15
47-53	COMM., UTIL. (exc. D-D, COE),				
54	FLAT FACE COWL	(34 $\frac{1}{4}$ length overall—rd. knob "T")	1992564	1	1.15
47-53	COE	(47 $\frac{1}{2}$ length overall—rd. knob "T")	1992569	1	1.15
48-53	DUBL-DUTI	(56 $\frac{3}{8}$ length overall—rd. knob "T")	1992588	1	1.15
49	PASS.	(37 $\frac{5}{8}$ length overall—rd. knob "T")	1992566	1	1.15
50	PASS.	(37 $\frac{5}{8}$ length overall—rd. knob "T")	1992591	1	1.15
54	COMM., UTIL. (exc. D-D, COE, FFC)	(39 $\frac{9}{16}$ O.L.—rd. knob "T")	1992599	1	1.15
54	DUBL-DUTI	(47 $\frac{1}{4}$ O.L.—rd. knob "T")	1992601	1	1.15
54	COE	(56 $\frac{3}{8}$ O.L.—rd. knob "T")	1992602	1	1.15

### 3.483 NUT—GUIDE—CLIP, Control Wires and Tubes

30-52	ALL	NUT, spark—throttle—choke—hood catch—light switch (hex. $\frac{1}{8}$ —24)	367899	A.R.	.04
34-50	ALL	GUIDE, throttle tube at bracket (brass $\frac{1}{16}$ I.D. x $\frac{1}{8}$ O.D. x $\frac{3}{8}$ long—No. 8—32 thd. hole)	375437	1	.03
51-54	COMM., UTILITY				
54	COMM., UTIL. (exc. FFC)	CLIP, attaches throttle and choke rod to inst. panel	3707498	2	.05

### 3.521 ROD, Choke with Button, Wire and Tube

29-38	ALL,				
39	COMM., UTILITY (exc. COE),				
40-46	COMM., UTILITY (FFC)	(47 $\frac{5}{8}$ length overall—plain rd. knob)	604302	1	(3.481)
39	PASS.	(47 $\frac{3}{4}$ length overall—plain sq. knob)	604312	1	(3.481)
40	KA, KB, KH (STA. WAG. on KB)	(39 $\frac{5}{8}$ length overall—rect. knob "C")	3654202	1	1.15
41-48	PASS.	(39 $\frac{13}{16}$ length overall—rd. knob "C")	3684778	1	1.15
39-46	COE	(60 $\frac{5}{8}$ length overall—sq. knob "C")	3657243	1	1.15
47-53	COMM., UTIL. (exc. D-D, COE),				
54	FLAT FACE COWL	(35 length overall—rd. knob "C")	1991581	1	1.15
47-53	DUBL-DUTI, COE	(71 $\frac{1}{4}$ length overall—rd. knob "C")	1991588	1	1.15
49	PASS.	(33 $\frac{3}{8}$ length overall—rd. knob "C")	1991582	1	1.15
50	PASS.	(34 $\frac{1}{8}$ length overall—rd. knob "C")	1991611	1	1.15
51-52	PASS.	(34 $\frac{1}{8}$ length overall—rd. knob "C")	1991619	1	1.15
53	SDL	(40 $\frac{1}{4}$ length overall)	1991633	1	1.15



54	COMM., UTIL. (exc. D-D, COE, FFC).....	(33 $\frac{7}{8}$ O.L.—rd. knob "C").....	1991637	1	1.15
54	DUBL-DUTI, COE.....	(71 $\frac{3}{8}$ O.L.—rd. knob "C").....	1991639*	1	1.15

\*NOTE: When using on DUBL-DUTI, coil or cut off 4 $\frac{1}{4}$  inches.

### 3.579 CRANK—LEVER—BRACKET, Accelerator Rod

34-36	ALL (exc. DB, P, EB, Q).....	bell (cast 837522).....	837522	1	.33
48-54	DUBL-DUTI (exc. A.T.).....	bell (1 $\frac{3}{4}$ and 1 $\frac{1}{8}$ ctr. to ctr. of holes).....	3687540	1	.93
53	PASS.....	bell, w/ $\frac{1}{2}$ pivot holes (4 $\frac{3}{4}$ O.L.—cadmium).....	3702377	1	.35
54	PASS.....	bell.....	3709358	1	.65
37-40	ALL (exc. COE).....	LEVER (cast 595654).....	595654	1	.33
41-49	ALL (exc. DUBL-DUTI, COE).....	LEVER (cast 3659433).....	3659433	1	.50
50-52	ALL (exc. D-D, COE),				
53-54	COMM., UTIL. (exc. A.T., D-D, COE).....	LEVER.....	3693371	1	.33
53	PASS. (exc. P.G., SDL),				
54	PASS. (exc. P.G.).....	LEVER (w/one $\frac{3}{8}$ , two $\frac{1}{4}$ , two $\frac{3}{8}$ holes).....	3703449	1	.33
53-54	PASS. w/P.G.....	LEVER (w/two $\frac{3}{8}$ , four $\frac{1}{4}$ holes).....	3702695*	1	.35
54	COMM. w/A.T. (exc. D-D).....	LEVER, carb. control (w/two $\frac{1}{8}$ , one $\frac{1}{4}$ holes).....	3707604	1	.35
54	COMM. w/A.T. (exc. D-D).....	LEVER, accel. control (has 8 holes).....	3707605	1	.40
54	D-D w/A.T.....	LEVER, carb. control (w/two $\frac{3}{8}$ , one $\frac{1}{4}$ holes).....	3707641	1	.40
54	D-D w/A.T.....	LEVER, accel. control (has 5 holes).....	3707644	1	.95
53-54	PASS.....	BRACKET, bell crank, w/ $\frac{1}{2}$ pin (cadmium).....	3702355	1	.28

\*NOTE: 3702695 may also be used on 1953 SDL by removing extra horizontal tang.

### 3.580 LEVER, Throttle Control

34-36	ALL.....		837322	1	.25
37-40	ALL (exc. COE).....		593602	1	.25
40-54	COE.....		3690701*	1	.50

\*NOTE: When 3690701 is used on 1940-48 COE it will also be necessary to use 3690694 Shaft and 3690695 Brkt.

### 3.582 STUD—BUSHING—WASHER, Throttle and Accelerator Lever

34-36	ALL.....	( $\frac{5}{16}$ —18—24 x 1 $\frac{1}{2}$ $\frac{1}{8}$ —hex. ctr. sect.— $\frac{7}{16}$ dia. x $\frac{1}{2}$ shldr.).....	837428	1	.17
37-49	ALL (exc. COE).....	( $\frac{5}{16}$ —18 x 2 $\frac{1}{8}$ —thd. one end only).....	3835384	1	.17
50-54	ALL (exc. A.T., DUBL-DUTI, COE).....	( $\frac{5}{16}$ —18 x 2 $\frac{3}{8}$ —thd. one end only).....	3835566	1	.17
54	COMM. w/A.T. (exc. D-D).....	accel. control ( $\frac{5}{8}$ hex. hd., w/ $\frac{3}{16}$ —18 thd.).....	3705994	1	.20
54	COMM. w/A.T. (exc. D-D).....	BUSHING, accel. and carb. control (1 $\frac{1}{2}$ O.D.— $\frac{3}{8}$ I.D.).....	3707601	1	.20
54	COMM. w/A.T. (exc. D-D).....	WASHER, accel. and carb. control (1 $\frac{5}{8}$ I.D. x $\frac{1}{4}$ O.D. x $\frac{1}{2}$ ).....	3705982	2	.05

### 3.585 SHAFT—PIN, Accelerator Lever Crossshaft

49-54	COE.....	( $\frac{3}{8}$ dia. x 3—drld. both ends).....	3690694	1	.13
54	DUBL-DUTI w/A.T.....	PIN, accel. and carb. control lever (2 $\frac{1}{8}$ O.L., $\frac{1}{16}$ dia. hd.).....	3707648	1	.15

### 3.601 MANIFOLD, Engine Exhaust (Intake manifold in group 3.265)

34-36	ALL.....	(cast 837309).....	837309	1	9.08
37-39	ALL (exc. COE).....	(cast 838397).....	602366	1	9.08
39-49	DUBL-DUTI, COE.....	(cast 3835440).....	3690880	1	9.91
40-48	ALL (exc. DUBL-DUTI, COE).....	(cast 839130).....	604341	1	9.08
49	ALL (exc. DUBL-DUTI, COE),				
50-53	ALL w/216.....	(cast 3835388).....	3691971	1	9.08
50-54	ALL w/235, 261 (exc. DUBL-DUTI, COE).....	(cast 3835587).....	3694164	1	9.08
50-54	DUBL-DUTI, COE.....	(cast 3835580).....	3694165	1	9.91

### 3.602 COVER, Manifold

37-42	ALL (exc. WC, YT, MT, COE),				
46-48	PASS., COMM.,				
46-47	OR, OS, PI, PK, QI, QK.....	w/economy engine.....	595849	1	.88

### 3.609 PIPE, Engine to Muffler Exhaust (tail pipe in group 3.705)

29-32	ALL.....	(stamped 369509).....	369509	1	3.69
33	CA.....	(stamped 370723).....	370723	1	3.40
33	CC.....	(stamped 474057).....	474057	1	5.15
33	O.....	(stamped 372184).....	372184	1	4.05
34	DA.....	(stamped 374789).....	374789	1	3.09
34	DC.....	(stamped 373890).....	373890	1	5.15
34-36	COMM., UTILITY.....	(stamped 373091).....	373091	1	5.15
35-36	PASS. (exc. EC, FC).....	(stamped 377780).....	377780	1	3.09
35	EC.....	(stamped 379004).....	379004	1	3.56
36	FC.....	(stamped 475241).....	475241	1	3.09
37-38	PASS.....	(stamped 594131).....	594131	1	3.40
37-40	COMM., UTIL. (exc. COE).....	(stamped 3652725).....	3652725	1	5.69
39	PASS.....	(stamped 350505).....	350505	1	3.40
39-40	COE.....	(stamped 3651001).....	3651001	1	4.51
40	PASS.....	(stamped 3653386).....	3653386	1	3.35
41-48	PASS. (exc. CONV.).....	(stamped 3657963).....	3657963	1	3.45
41-48	CONV.....	(devel. length 44 $\frac{1}{8}$ ) (stamped 3659737).....	3659737	1	3.45
41-46	COMM., UTIL. (exc. COE).....	(devel. length 83 $\frac{3}{8}$ ) (stamped 3656596).....	3656596	1	4.60
41-46	COE.....	(devel. length 69 $\frac{1}{8}$ ) (stamped 3656608).....	3656608	1	4.60
46	PP (2-SPD. AXLE--VAC. SHIFT).....	(devel. length 83 $\frac{3}{8}$ ) (stamped 3682918).....	3682918	1	4.67
47-48	COMM., UTIL. (exc. D-D, COE).....	(devel. length 83 $\frac{3}{8}$ ) (stamped 3684108).....	3684108	1	4.67
47-49	COE.....	(devel. length 64 $\frac{1}{8}$ ) (stamped 3685035).....	3685035	1	4.67
48-49	DUBL-DUTI.....	(devel. length 72 $\frac{3}{4}$ ) (stamped 3687496).....	3687496	1	4.67
49-50	PASS. (exc. CONV., P.G.).....	(stamped 3690587).....	3690587	1	3.67
49-50	CONV. (exc. P.G.).....	(stamped 3690589).....	3690589	1	3.62
49	COMM., UTIL. (exc. D-D, COE).....	(devel. length 82) (stamped 3691277).....	3691277	1	4.67
50	PASS. w/P.G. (exc. CONV.).....	(stamped 3693548).....	3693548	1	3.96
50	CONV. w/P.G.....	(stamped 3693598).....	3693598	1	3.62
50-53	COMM., UTIL. w/216.....	(devel. length 79 $\frac{5}{8}$ ) (stamped 3693712).....	3693712	1	4.67
50-54	DUBL-DUTI, COE.....	(devel. length 63 $\frac{7}{8}$ ) (stamped 3693714).....	3693714	1	4.82
50-53	UTIL. w/235 (exc. COE),				
54	COMM., UTIL. (exc. D-D, COE).....	(devel. length 79 $\frac{5}{8}$ ) (stamped 3693715).....	3693715	1	4.89
51-52	PASS. (exc. CONV., P.G.).....	(devel. length 52 $\frac{1}{8}$ ) (stamped 3700499).....	3700499	1	3.45
51-52	CONV. (exc. P.G.).....	(devel. length 41 $\frac{1}{8}$ ) (stamped 3697054).....	3697054	1	3.78
51-52	PASS. w/P.G. (exc. CONV.).....	(devel. length 53 $\frac{3}{8}$ ) (stamped 3700501).....	3700501	1	3.95
51-52	CONV. w/P.G.,				
53-54	CONV.....	(devel. length 41 $\frac{1}{8}$ ) (stamped 3697058).....	3697058	1	3.55
53	PASS. (exc. SDL, CONV.).....	(2 O.D.--53 $\frac{3}{8}$ dev. length) (stamped 3701055).....	3701055	1	3.78
53	SDL.....	(1 $\frac{7}{8}$ O.D. w/2 O.D. at muffler end--52 $\frac{3}{4}$ dev. length).....	3704564	1	3.45
54	PASS. (exc. CONV.).....	(stamped 3704995).....	3704995	1	3.85

### 3.611 PACKING--GASKET, Exhaust Pipe

29-33	ALL.....	PACKING (2 $\frac{1}{8}$ I.D. x 2 $\frac{3}{8}$ O.D. x $\frac{1}{4}$ thick).....	372029	1	.22
34-36	ALL,				
51-52	PASS. w/P.G.,				
53	PASS. (exc. SDL),				
54	PASS.....	PACKING (2 $\frac{1}{8}$ I.D. x 2 $\frac{1}{2}$ O.D.).....	3696990	1	.22
37-49	ALL (exc. GJ, GK),				
51-52	PASS. (exc. P.G.),				
53	SDL.....	PACKING (1 $\frac{7}{8}$ I.D. x 2 $\frac{3}{8}$ O.D. x $\frac{5}{8}$ thick).....	593606	1	.22
49-50	PASS.,				
50-54	COMM., UTIL.....	GASKET, flange (2 $\frac{1}{8}$ I.D.).....	3692831	1	.10

### 3.614 FLANGE, Exhaust Pipe Packing

37-49	ALL (exc. GJ, GK),				
51-53	PASS. w/216.....	(2 $\frac{1}{8}$ I.D.--cast 593607).....	593607	1	.38
51-53	PASS. w/235,				
54	PASS.....	(2 $\frac{3}{8}$ I.D.--cast 3696988).....	3696988	1	.50

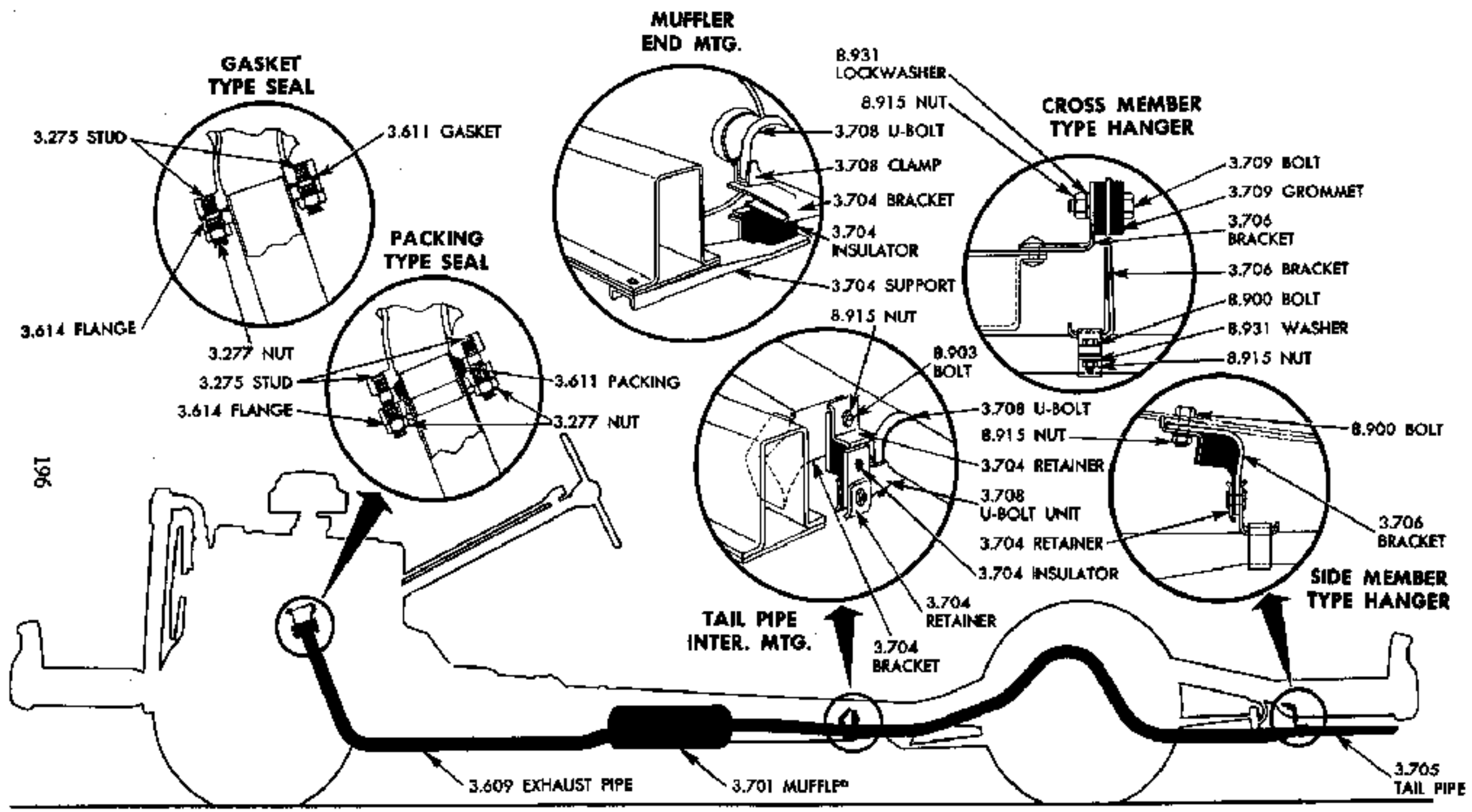
### 3.618 SPRING--CLAMP, Exhaust Pipe Support

32-48	PASS., BB, CB.....	SPRING (1 $\frac{1}{2}$ O.D.--18 coils--two hook ends).....	369511	1	.05
32-39	COMM., UTILITY,				
39-46	COMM. (exc. KF, AN, BN, DS),				
47-48	COMM., UTILITY.....	SPRING (1 $\frac{1}{2}$ O.D.--26 coils--two hook ends).....	368244	1	(0.844)

39-46	UTIL., KF, AN, BN, DS.....	SPRING ( $\frac{5}{8}$ O.D.—two hook ends—one hook 4 $\frac{1}{4}$ length).....	3651557	1	18
37-48	COMM., UTILITY.....	CLAMP ( $1\frac{1}{8}$ I.D. w/ $\frac{1}{16}$ gap—one clamp bolt ear straight, one bent out).....	593624	1	.25
<b>3.640 THERMOSTAT, Exhaust Manifold Heat Control Valve</b>					
33-36	ALL (exc. CC).....		837491	1	.43
37-54	ALL (exc. DUBL-DUTI, COE).....		838573	1	.55
39-54	DUBL-DUTI, COE.....		838292	1	.55
<b>3.650 SHAFT, Manifold Heat Control Valve</b>					
34-36	ALL.....	w/lever and weight (shaft 4 $\frac{1}{2}$ —lever 1 $\frac{3}{8}$ )	837438	1	.98
39-54	DUBL-DUTI, COE.....	w/valves (shaft length 5).....	596265	1	1.58
<b>3.653 SPRING, Manifold Heat Control Valve</b>					
34-36	ALL.....	(1 $\frac{3}{16}$ free length—hook ends).....	837432	1	.07
37-54	ALL.....	anti-rattle ( $\frac{1}{4}$ wide stock—coiled).....	602799	1	.33
<b>3.654 WASHER, Manifold Heat Control Valve</b>					
41-54	DUBL-DUTI, COE.....	shaft.....	3835182	A.R.	.02
<b>3.655 WEIGHT—SPACER, Exhaust Manifold Valve Shaft</b>					
39-54	DUBL-DUTI, COE.....	WEIGHT (cast 3835181).....	3835181	1	.45
39-54	DUBL-DUTI, COE.....	SPACER ( $\frac{1}{2}$ x $\frac{3}{4}$ overall).....	596271	1	.02
<b>3.701 MUFFLER, Engine Exhaust</b>					
29-34	ALL (exc. CA, DA).....	unit, consists of muffler and two adapters (20 $\frac{1}{16}$ length less tail pipe flange—exh. pipe hole 2 $\frac{1}{16}$ —flange 1 $\frac{1}{2}$ O.D.).....	603746	1	6.45
35-40	COMM., UTILITY.....	(stamped 371066—tail pipe flange 1 $\frac{1}{16}$ O.D.).....	371066	1	6.67
33	ALL (exc. SDL, CC).....	(stamped 374778).....	374778	1	6.67
34	DA.....	(stamped 378010).....	378010	1	6.67
35-36	PASS. (exc. EC, FC).....	(stamped 379058).....	379058	1	6.67
35	EC.....	(stamped 475234).....	475234	1	6.67
36	FC.....	(stamped 593172).....	593172	1	6.67
37-39	PASS.....	(stamped 3655265).....	3655265	1	6.57
40	CONV.....	(17 $\frac{1}{2}$ length of shell—2 O.D. exhaust pipe flange—1 $\frac{11}{16}$ O.D. tail pipe flange)....	3659201*	1	6.95
41-48	PASS.....	aluminized (17 $\frac{1}{2}$ in. shell—2 O.D. exh. pipe flange—1 $\frac{11}{16}$ O.D. tail pipe flange)	609695	1	8.12
40	PASS. (exc. CONV.).....	(19 $\frac{1}{2}$ length of shell—2 O.D. exhaust pipe flange—1 $\frac{11}{16}$ O.D. tail pipe flange)....	3658598	1	5.75
41-48	PASS.....	aluminized (19 $\frac{1}{2}$ shell—2 O.D. exh. pipe flange—1 $\frac{11}{16}$ tail pipe flange).....	609750	1	7.13
41-49	COMM., UTILITY.....	(1 $\frac{7}{8}$ O.D. exhaust pipe flange—1 $\frac{11}{16}$ O.D. tail pipe flange).....	3698040	1	6.95
41-49	COMM., UTILITY.....	(1 $\frac{7}{8}$ O.D. exhaust pipe flange—1 $\frac{11}{16}$ O.D. tail pipe flange).....	3698039	1	7.45
49-52	PASS. (exc. CONV., P.G.).....	aluminized.....	3698038	1	8.75
49-52	CONV. (exc. P.G.).....	(2 O.D. exhaust pipe flange—1 $\frac{13}{16}$ tail pipe flange).....	3698041	1	7.60
49-52	PASS. (exc. CONV., P.G.).....	aluminized.....	3698713	1	8.85
50-52	PASS. w/P.G. (exc. CONV.).....	(2 O.D. exhaust pipe flange—1 $\frac{11}{16}$ tail pipe flange).....	3698042	1	7.45
53	PASS. (exc. CONV.).....	(2 O.D. exhaust pipe flange—1 $\frac{3}{4}$ tail pipe flange).....	3693710	1	5.75
50-52	PASS. w/P.G. (exc. CONV.).....	aluminized.....	3704250	1	6.95
53	PASS. (exc. CONV.).....	(2 I.D. inlet—1 $\frac{13}{16}$ O.D. outlet) (22 $\frac{3}{8}$ O.L.)	3698714	1	7.45
54	PASS. (exc. CONV.).....	(2 O.D. exh. pipe flg.—1 $\frac{3}{8}$ tail pipe flg.)..	3704989	1	8.90
54	PASS. (exc. CONV.).....	aluminized.....	3704991	1	10.95

\*NOTE: When 3659201 is used on 1940 Pass. (exc. CONV.) it will be necessary to cut 2 $\frac{1}{4}$ " from the tailpipe end of the muffler outlet.





196

**EXHAUST SYSTEM**

**GASKET TYPE SEAL**

**MUFFLER END MTG.**

**CROSS MEMBER TYPE HANGER**

**PACKING TYPE SEAL**

**TAIL PIPE INTER. MTG.**

**SIDE MEMBER TYPE HANGER**

3.609 EXHAUST PIPE

3.701 MUFFLER

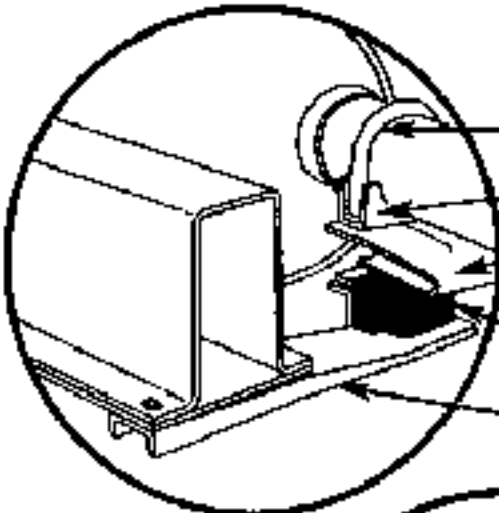
3.705 TAIL PIPE

3.275 STUD

3.611 GASKET

8.931 LOCKWASHER

8.915 NUT



3.708 U-BOLT

3.708 CLAMP

3.704 BRACKET

3.704 INSULATOR

3.704 SUPPORT

8.915 NUT

3.709 BOLT

3.709 GROMMET

3.706 BRACKET

3.706 BRACKET

8.900 BOLT

8.931 WASHER

8.915 NUT

3.614 FLANGE

3.277 NUT

3.275 STUD

3.614 FLANGE

3.611 PACKING

3.277 NUT

8.903 BOLT

3.708 U-BOLT

8.915 NUT

3.704 RETAINER

3.708 U-BOLT UNIT

3.704 RETAINER

3.704 INSULATOR

3.704 RETAINER

3.704 BRACKET

8.900 BOLT

3.706 BRACKET

**3.704 BRACKET—SUPPORT—INSULATOR—RETAINER—STRAP—BOLT,  
Muffler**

34-36	UTILITY.....	(when installing on AN, BN, DS offset 1 1/2			
37-46	COMM., UTILITY (exc. KC, AK, BK, CK, DP).....	hole 5 in. to eliminate hd. brake rod inter- ference).....	592240	1	.38
37-39	PASS.....	supt. (two 3/8—two 3/8—two 1 1/8 holes)....	593636	1	.38
37-39	PASS.....	frame (7 1/4 length overall).....	3650147*	1	.38
37-46	1/2 TON.....	(2 1/8 x 6 1/8).....	3658372	1	.38
40	PASS (exc. CONV.).....	support (four 3/8—three 1/2 holes).....	3654585	1	.38
40	PASS (exc. CONV.).....	frame (11 1/8 length overall).....	3654599	1	.67
41-49	PASS.....				
50	PASS. (exc. P.G.).....				
50	CONV. w/P.G.....	insulator (3 x 4 1/8 overall).....	3661832	1	.38
47-54	1/2 TON.....	(3 1/4 x 6).....	3676257	1	.38
47-54	COMM., UTIL. (exc. 1/2 TON).....	(9 1/2 x 3 1/8).....	3683739	1	.38
50	PASS. w/P.G. (exc. CONV.).....	supt. insulator (3 1/8 wide x 4 1/8 long)....	3693055	1	.38
51-54	PASS. (exc. CONV.).....	tail pipe front insulator frame.....	3696804	1	.55
51-54	CONV.....	tail pipe front insulator frame.....	3696873	1	.17
41-48	PASS.....				
49-50	PASS. (exc. CONV.).....	SUPPORT (11 1/4 length overall).....	3661833	1	.67
49-50	CONV.....	SUPPORT (1 1/8 x 4).....	3692085	1	.45
41-50	PASS.....	INSULATOR (two metal brackets moulded in rubber) (square holes).....	3661831	1	.38
51-54	PASS.....	INSULATOR (all rubber).....	3697060	1	.38
51-54	PASS.....	RETAINER, tail pipe insulator rebound (1 1/8 wide—L shaped).....	3696875	1	.12
51-54	PASS (exc. CONV.).....	RETAINER, tail pipe frt. supt. brkt., muffler to tailpipe clamp (1 1/8 x 1 1/8).....	3696888	1	.07
51-54	CONV.....				
29-31	ALL (exc. AE),				
32-34	N, O, DC.....	STRAP (1 wide x 12 1/8 overall length—both ends hooked).....	344194	1	.38
34-54	COMM., UTILITY.....				
29-31	ALL,				
32-34	N, O, DC.....	BOLT, strap (5/16—24 x 2 1/4 overall—1/4 x 1 1/4 strap slot in head).....	344193	1	.18
34-54	COMM., UTILITY.....				

\*NOTE: When installing 3650147 on 1937-38 jobs use two 3650144 spacers.

**3.705 PIPE, Muffler Tail (exhaust pipe in group 3.609)**

29-32	A, B.....	(1 1/2 O.D. x 55 1/8 O.L.) (stamped 365412).	365412	1	2.44
33	PASS.....	(stamped 370570) (1 1/4 O.D.).....	370570	1	2.88
34	DA.....	(stamped 374790).....	374790	1	2.78
34-36	1/2 TON.....	(stamped 377198).....	377198	1	2.56
34-40	P, Q, R, S, T, VA, VB, KF, WA (PANEL)...	(stamped 350350).....	350350	1	3.10
34-40	P, Q, R, S, T, V, KF, W.....	(devel. length 30 1/4) (stamped 377364)....	377364	1	2.16
35-36	PASS. (exc. EC, FC).....	(stamped 377927).....	377927	1	3.10
35	EC.....	(stamped 379009).....	379009	1	2.38
36	FC.....	(stamped 475282).....	475282	1	2.70
37-39	PASS.....	(stamped 350506).....	350506	1	3.12
37-40	1/2 TON.....	(stamped 599415).....	599415	1	2.38
NOTE: When installing 599415 on 1937-38 cut 1 1/2 from front end of pipe and reslot.					
37-40	GD, GE, HD, HE, ID, IE, KD, KE (PANEL, PICK-UP).....	(stamped 599397).....	599397	1	2.38
39-40	VE, VF, WD.....	(1 1/2 O.D. x 8 1/4 length overall).....	3651565	1	1.10
40	PASS. (exc. CONV.).....	(stamped 3653725).....	3653725	1	3.10
40	CONV.....	(stamped 3655245).....	3655245	1	3.10
40	WB, WC, WE, WF.....	(stamped 350944).....	350944	1	6.00
NOTE: When installing 350944 on WB, WE, WF, cut 35 1/8 from front end of pipe and reslot.					
41-46	1/2 TON.....	(stamped 3656764).....	3656764	1	2.56
41-49	AL, AM, BL, BM, DR, ER, FR, GR.....	(stamped 3657135).....	3657135	1	2.70
41-49	AN, YB, BN, MR, OH, DS, PJ, ES, FS, GS (PAN.).....	(stamped 3656962).....	3656962	1	3.46
41-46	SCH. BUS CH.....	(stamped 3656982).....	3656982	1	6.72
33	UTILITY,				
46-48	2 SPD. AXLE (Vac. Shift) (exc. SBC).....	short (1 1/4 O.D. x 8 3/8 devel. length)			
49	UTIL. (exc. SBC).....	(stamped 3692278).....	3692278	1	.84

47-49	EP, FP, GP.....	(stamped 3683656).....	3683656	1	2.58
47-49	QX, RX, SX.....	(1 3/4 O.D. x 197 1/2 length overall) (stamped 3683464).....	3683464	1	7.14
47-49	QL, RL, SL.....	(1 3/4 O.D. x 136 3/8 length overall) (stamped 3684293).....	3684293	1	5.60
41-49	AN, BN, DS, ES, FS, GS (exc. PANEL)....	(1 3/4 O.D. x 89 1/2 length overall)			
41-49	UTIL. (exc. SCH. BUS CH.).....	(stamped 3684840).....	3684840	1	3.08
NOTE: When using 3684840 on some models it may be necessary to cut off at muffler end. Use old muffler tail pipe as guide.					
41-48	PASS. (exc. CONV.).....	(stamped 3687978).....	3687978	1	3.42
41-48	PASS. (exc. CONV.).....	aluminized steel (stamped 3688908).....	3688908	1	4.46
NOTE: When installing 3688908 on 1946-47 models use 3658199 bracket in place of 3681293.					
41-48	CONV.....	(stamped 3687994).....	3687994	1	3.74
48-49	FT, GT.....	(devel. length 77) (stmpd. 3687617).....	3687617	1	2.74
48-49	FU, GU.....	(devel. length 102 3/8) (stmpd. 3689136).....	3689136	1	3.08
49-51	PASS. (exc. CONV., P.G.),				
52	PASS. (exc. CONV., STA. WAG., P.G.)..	(devel. length 104 1/8) (stmpd. 3697600).....	3697600	1	3.46
49-52	PASS. (exc. CONV., P.G.).....	aluminized steel (devel. length 104 1/8) (stmpd. 3698043).....	3698043	1	4.50
49-52	CONV.....	(devel. length 116 1/4) (stmpd. 3697601).....	3697601	1	3.80
50-51	PASS. w/P.G. (exc. CONV.),				
52	PASS. w/P.G. (exc. CONV., STA. WAG.)	(devel. length 104 1/8) (stmpd. 3697602).....	3697602	1	3.46
50-51	PASS. w/P.G. (exc. CONV.),				
52	PASS. w/P.G. (exc. CONV., STA. WAG.)	aluminized (stamped 3701862).....	3701862	1	4.70
50	1/2 TON,				
51-53	1/2 TON (SGL. UNIT).....	(devel. length 68 1/2) (stmpd. 3696806).....	3696806	1	2.58
50-54	3/4 TON (exc. D-D).....	(devel. length—73) (stmpd. 3696161).....	3696161	1	2.74
50-54	3/4 TON DUBL-DUTI.....	(devel. length 83 3/4) (stmpd. 3692824).....	3692824	1	3.02
50-53	1 TON (exc. D-D, PANEL).....	(devel. length 73 1/2) (stmpd. 3689573).....	3689573	1	2.74
50-54	1 TON (PANEL).....	(devel. length 100) (stmpd. 3689574).....	3689574	1	3.46
50-54	1 TON DUBL-DUTI.....	(devel. length 112 5/16) (stmpd. 3692825).....	3692825	1	3.62
50-54	UTILITY (exc. SBC).....	(devel. length 8 3/4) (stmpd. 3692828).....	3692828	1	.84
50-53	1 1/2 TON SBC.....	(devel. length 149) (stmpd. 3689575).....	3689575	1	5.92
50-53	2 TON SBC. (exc. VZ, Z).....	(devel. length 205) (stmpd. 3689579).....	3689579	1	7.52
51-53	1/2 TON (exc. SGL. UNIT).....	(devel. length 66) (stmpd. 3696178).....	3696178	1	2.58
52	STA. WAG. (exc. P.G.).....	(devel. length 108 7/16) (stamped 3701130)	3701130	1	3.46
52	STA. WAG. w/P.G.....	(devel. length 108 1/16) (stamped 3701131)	3701131	1	3.46
52-53	VZ, Z.....	(devel. length 232 1/2) (stamped 3701287)	3701287	1	8.38
53	PASS. (exc. CONV., STA. WAG.).....	(dev. length 106 3/4).....	3697963	1	3.46
53	PASS. (exc. CONV., STA. WAG.).....	aluminized.....	3698719	1	4.50
53-54	CONV.....	(1 3/8 O.D.—116 1/2 dev. length).....	3697976	1	3.90
53	STA. WAG.....	(1 3/8 O.D.—111 1/2 dev. length).....	3701620	1	3.46
54	PASS. (exc. CONV., STA. WAG.).....	(dev. length 93 5/8—1 1/8 dia.).....	3704898	1	3.45
54	PASS. (exc. CONV., STA. WAG.).....	aluminized (stamped 3704998).....	3704998	1	4.50
54	STA. WAG.....	(dev. length 96 1/2) (stamped 3704999).....	3704999	1	3.45
54	1/2 TON (exc. SGL. UNIT).....	(dev. lth. 66—1 3/8 dia.) (stmpd. 3705359)	3705359	1	2.65
54	1/2 TON (SGL. UNIT).....	(dev. lth. 66 1/16—1 1/8 dia.) (stmpd. 3705360)	3705360	1	2.65
54	1 TON (exc. PANEL, D-D).....	(dev. length 71 3/8—1 1/8 dia.).....	3707164	1	2.75
54	1 1/2 TON SBC.....	(dev. length 150 1/2—1 1/8 dia.) (stamped 3705873).....	3705873	1	5.95
54	Y.....	(dev. length 220—1 1/8 dia.) (stamped 3705867).....	3705867		7.95
54	Z.....	(dev. length 247—1 1/8 dia.) (stamped 3705870).....	3705870	1	8.35
53-54	PASS.....	EXTENSION UNIT.....	986885	1	3.25

### 3.708 BRACKET—SUPPORT, Muffler Tail Pipe

37	PASS.....	w/clamp (6 1/8 length overall).....	593642	1	.51
38-39	PASS.....	w/clamp (5 1/4 length overall).....	597116	1	.51
40	PASS.....	w/clamp (4 7/8 length overall).....	3652715	1	.51
41-42	PASS.....				
43	PASS.....	w/clamp (6 1/2 length overall).....	3658199	1	.56
46	PASS.....	w/clamp (6 3/8 length overall).....	3681293	1	.56
41-48	PASS.....	frame ("L" shape).....	3658202	1	.15
47	PASS.....	w/clamp.....	3685789	1	.56
49-50	PASS. (exc. P.G.),				
50	CONV. w/P.G.....	w/clamp (6 3/16 length overall).....	3690052	1	.56



49-50	PASS.	frame ("L" shape)	3690051	1	.16
50	PASS. w/P.G. (exc. CONV.)	support	3693035	1	.56
51-52	PASS. (exc. P.G.),				
51-52	CONV. w/P.G.	support, w/insulator	3696881	1	1.31
51-52	PASS., w/P.G. (exc. CONV.)	support, w/insulator	3696885	1	1.31
53-54	PASS.	support, w/insulator	3697973	1	1.31
35-36	EA, ED, FA, FD	SUPPORT, rear, w/clamp (6 $\frac{1}{8}$ length overall)	377923	1	.38
37-40	$\frac{1}{2}$ TON	SUPPORT, rear, w/clamp (4 $\frac{3}{8}$ high)	593987	1	.51
37-40	GD, GE, HD, HE, ID, JE, KD, KE (PANEL, PICK-UP)	SUPPORT, rear, w/clamp (6 $\frac{1}{8}$ length overall)	596671	1	.44
41-49	$\frac{1}{2}$ TON	SUPPORT, w/clamp (4 $\frac{3}{8}$ high)	3656791	1	.51
41-46	YR, YS, BN, MR, MS, DS, OE, OF, OR, OS, PJ, PK, PV, PW, COE (exc. PANEL),				
47-49	ES, QI, FS, RI, GS, SJ (exc. PANEL)	SUPPORT, w/clamp (9 high)	3657005	1	.60
41-49	AN, YR, BN, MR, DS, OR, PI, ES, FS, GS (PAN.)	SUPPORT, front and rear,			
41-49	AL, AM, YT, BL, BM, MT, DH, OY, OG, PL, PX, ER, QX, FR, FT, RX, GR, GT, SX	SUPPORT, rear, w/clamp (6 $\frac{1}{2}$ O.L.)	3656925	1	.56
41-49	YT, MT, OY, OG, PL, PX, QL, QX, RL, RX, SL, SX	SUPPORT, w/clamp, 4th and 5th cross members (6 $\frac{1}{2}$ high)	3683458	1	.51
41-49	YT, MS, MT, OW, OY, OG, PL, PX, QX, RX, SX	SUPPORT, w/clamp, 6th cross member (3 $\frac{1}{4}$ high)	3656900	1	.44
47-49	QL, RL, SL	SUPPORT, w/clamp, use w/side member ahead of 5th crossmember	3684226	1	.56
47-49	QL, RL, SL	SUPPORT, w/clamp, rear	3684224	1	.56
48-49	FU, GU	SUPPORT, w/clamp (5 $\frac{3}{4}$ O.L.)	3689126	1	.51
50-54	1 TON (PANEL)	SUPPORT, front only,			
50	$\frac{1}{2}$ TON,				
51-54	$\frac{1}{2}$ TON (SGL. UNIT)	SUPPORT, w/clamp	3689581	1	.44
50	$\frac{3}{4}$ TON,				
50-54	$\frac{3}{4}$ TON D-D, 1 TON PANEL, 2 TON SBC.	SUPPORT, rear	3689585	1	.56
50-54	1 TON (exc. D-D, PANEL)	SUPPORT, w/clamp	3689583	1	.60
51-54	$\frac{1}{2}$ TON (exc. SGL. UNIT)	SUPPORT, w/clamp	3696179	1	.44
51-54	$\frac{3}{4}$ TON (exc. D-D)	SUPPORT, w/clamp	3696162	1	.51

### 3.707 WASHER—GROMMET—SPACER—BOLT, Muffler Support and Bracket

37-40	PASS.	WASHER, bracket ( $\frac{7}{16}$ I.D. x 1 $\frac{5}{8}$ O.D.)	593645	2	(3.709)
37-50	PASS.	GROMMET, support bracket (rubber—1 $\frac{5}{8}$ O.D. x $\frac{3}{8}$ I.D.)	593638	A.R.	.19
39-40	PASS.	SPACER, support frame bracket grommet ( $\frac{5}{16}$ I.D. x $\frac{3}{8}$ O.D. x $\frac{1}{2}$ )	3650144	2	.05
41-50	PASS.	BOLT, support insulator (rd. hd. corr.— $\frac{3}{16}$ —18 x $\frac{5}{8}$ )	3659743	2	.04

### 3.708 CLAMP—"U" BOLT, Muffler Exhaust Pipe and Tail Pipe

29-40	AC, AD, L, M, N, O, P, Q, R, S, T, V, KT, W	CLAMP, tail pipe (1 $\frac{1}{2}$ I.D. w/ $\frac{1}{4}$ gap—clamp bolt ears—straight)	353142	1	.27
34	DC	CLAMP, tail pipe to muffler (1 $\frac{1}{2}$ I.D. w/ $\frac{1}{4}$ gap—stock $\frac{5}{16}$ thick x 1 wide)	369593	1	(6.760)
34-40	COMM. (exc. KF)				
33	ALL	CLAMP, tail pipe (1 $\frac{3}{4}$ I.D. w/ $\frac{1}{4}$ gap—clamp bolt ears both bent in)	370585	1	.27
41-49	COMM., UTILITY				
34	DA	CLAMP, muffler to tail pipe (2 $\frac{1}{4}$ ctr. to ctr. "U" bolt holes)	601538	1	.27
35-36	EC, FC	CLAMP, muffler to tail pipe (2 ctr. to ctr. "U" bolt holes)	379013	1	.27
41-49	COMM., UTILITY	CLAMP, exh. pipe muffler (2 dia. w/ $\frac{1}{4}$ gap—both clamp bolt ears bent in)	3657043	1	.27
50-54	COMM., UTILITY	CLAMP, exhaust pipe (2 $\frac{3}{8}$ I.D.)	3693550	1	.27
50-54	COMM., UTILITY	CLAMP, muffler tail pipe (1 $\frac{3}{8}$ I.D.)	3689542	1	.27
34-36	DA, EA, EC, ED, FA, FC, FD	CLAMP UNIT, w/"U" bolt, exhaust pipe muffler	3694837	1	.44
50-54	PASS. w/235				
37-52	PASS. (exc. P.G.)	CLAMP UNIT, w/"U" bolt, exh. pipe muffler	3693811	1	.44

37-52	PASS. (exc. EC, FC, P.G.),				
50	CONV. w/P.G.	CLAMP UNIT, w/"U" bolt, muffler to tail pipe	3693812	1	.40
50-52	PASS. w/P.G. (exc. CONV.),				
53	PASS. (exc. CONV.)	CLAMP UNIT, w/"U" bolt, muffler to tail pipe	3695000	1	.38
51-52	CONV.	CLAMP UNIT, w/"U" bolt, muffler to tail pipe	3697073	1	.50
53-54	CONV.	CLAMP UNIT, w/"U" bolt, muffler to tail pipe	3703167	1	.50
34-36	DA, EA, EC, ED, FA, FC, FD,				
50-52	PASS. w/P.G.	"U" BOLT, exh. pipe clamp ( $\frac{5}{16}$ —24— $2\frac{7}{16}$ ctr.			
53-54	PASS.	to ctr.— $2\frac{7}{8}$ inside depth)	374217	1	.27
34	DA,				
50-52	PASS. w/P.G. (exc. CONV.)	"U" BOLT, muffler to tail pipe ( $\frac{5}{16}$ —24— $2\frac{1}{4}$			
53	PASS.	ctr. to ctr.— $2\frac{5}{8}$ inside depth),			
51-54	PASS. (exc. CONV.)	tail pipe front support bracket	375633	1	.27
35-52	PASS. (exc. EC, FC, P.G.)	"U" BOLT, muffler to tail pipe ( $\frac{5}{16}$ —24— $2\frac{1}{8}$			
50-52	CONV.	ctr. to ctr. x $2\frac{5}{8}$ inside depth)	377916	1	.27
35-36	EC, FC	"U" BOLT, muffler to tail pipe ( $\frac{5}{16}$ —24—2 ctr.			
		to ctr.— $2\frac{3}{4}$ inside depth)	379008	1	.27
37-52	PASS. (exc. P.G.)	"U" BOLT, exh. pipe clamp ( $\frac{5}{16}$ —24— $2\frac{5}{8}$ ctr.			
		to ctr.— $2\frac{3}{4}$ inside depth)	594134	1	.27
51-52	PASS. (exc. CONV., P.G.)	"U" BOLT UNIT, frt. supt. brkt.	3697071	1	.50
51-52	PASS. w/P.G. (exc. CONV.),				
53	PASS. (exc. CONV.)	"U" BOLT UNIT, frt. supt. brkt.	3697072	1	.50
54	PASS. (exc. CONV.)	"U" BOLT UNIT, front support bracket	3710288	1	.50

### 3.706 BOLT—GROMMET—WASHER, Tail Pipe Bracket

37-40	PASS.	BOLT, bracket ( $\frac{5}{16}$ —24 x $3\frac{1}{16}$ — $\frac{3}{8}$ dia. x $1\frac{5}{16}$			
		length shldr.—hex. hd.)	593643	1	.18
41-50	PASS.	BOLT, bracket ( $\frac{5}{16}$ —24 x $1\frac{1}{2}$ — $\frac{3}{8}$ dia. x $1\frac{5}{16}$			
		length shldr.—hex. hd.)	3658201	1	.18
37-50	PASS.	GROMMET, bracket ( $\frac{3}{8}$ I.D. x $1\frac{1}{4}$ O.D.)	593638	1	(3.707)
37-50	PASS.	WASHER, bracket ( $\frac{7}{16}$ I.D. x $1\frac{5}{8}$ O.D.)	593645	1	.02

### 3.724 GASKET UNIT, Carburetor Replacement

32-49	ALL (exc. COE)	(Carter 152A)	609994*	1	1.21
32-51	ALL (w/Reoh.—1st type)		7001386	1	.37
32-54	ALL (w/7003526, 7003864, 7003986, 7004468-76-78, 7004915) (2nd type)	(air horn and throttle body gaskets)	7004598	1	.36
37-52	PASS. w/A.C.,				
53	ALL w/235 (exc. D-D, COE),				
54	PASS., COMM. w/A.T. (exc. D-D)		7004085†	1	.55
54	ALL w/7005140	(air horn and throttle body gaskets)	7006126	1	.36

\*NOTE: Consists of necessary gaskets to overhaul carburetor.

†NOTE: Consists of Suction Tube Packing and following gaskets: Choke Hag., Air Horn, Stat. Cover, Throttle Body, Needle Seat.

### 3.725 CARBURETOR ASSEMBLY

NOTE: A.C. denotes Automatic Choke.

		EXCHANGE ITEM			
32-49	ALL (exc. D-D, COE),	UNIT	7004600*	1	15.90
50-53	ALL w/216		7004476*	1	15.90
50-52	UTIL. w/235 (exc. COE)		7003986*	1	15.90
50-51	PASS. w/P.G. (2nd type)		7008060*†	1	22.30
37-52	PASS. (A.C.) (exc. P.G.)	(4620 on manifold face)	7003526*†	1	22.30
50-52	PASS. w/P.G. (A.C.)		7004915*	1	22.30
53	PASS. (auto. choke) (exc. P.G., SDL)	(4915 stmpd. on mld. face)	7004478*	1	22.30
53	PASS. w/P.G. (auto. choke)	(4478 stmpd. on mld. face)			
53	UTIL. w/235 (exc. COE),				
54	COMM. UTIL. (exc. A.T., D-D, COE, 261)	(4468 stmpd. on mld. face)	7004468*	1	15.90
54	PASS. w/P.G. (A.C.)	(5922 stamped on mld. face)	7005922*	1	22.30
54	PASS. (A.C.) (w/o gov.) (exc. P.G.),				
54	COMM. w/A.T. (A.C.) (exc. D-D)	(5921 stamped on mld. face)	7008921*	1	22.30
54	2 TON w/261 (exc. COE)	(5140 stamped on mld. face)	7005140*	1	15.90

†NOTE: Adapter Kit 7003924 must be used when converting from manual to automatic choke.

\*Exchange Price Shown. Add \$1.20 to prices if no used Chevrolet Carburetor Assembly is exchanged.

**ROCHESTER CARBURETOR IDENTIFICATION**

Carburetor Service No.	Carburetor Tag No.	No. Cast on Throttle Body	No. Cast on Float Bowl
7002051	7002051	7002128	7002046
7002539	7002050	7002105	7002089
7002540	7001374	7002105	7002089
7003060	7003060	7002128	7002046
7003526	7003526	7003538	7003536
7003864	7003864	7002128	7003912
7003986	7003986	7002128	7004497
7003986	7004495	7002128	7004497
7004039	7003863	7002105	7003913
7004476	7004476	7002128	7004497
7004600	7004475†	7002105	7004516
7005080	4620	4620	7004516
7004915	4915	4915	7004497
7004478	4478	4478	7004497
7004468	4468	4468	7004497
7005140	5140	5140	7005604
7005921	5921	5921	7003536
7005922	5922	5922	7003536

†Identical with 7004477 except 7004475 has throttle bracket.

**REPAIR KIT**

NOTE: Repair kits consist of necessary parts to overhaul one carburetor—including jets, nozzles, intake needle and seat, pump lever, etc.

36	ALL (for W1-334-S).....	(Carter 1004C).....	609989	1	5.38
37	ALL (for W1-346-S).....	(Carter 1005C).....	609990	1	5.38
38	ALL (for W1-391-S).....	(Carter 1006C).....	609991	1	6.07
39-40	ALL (exc. COE) (for W1-420-S).....	(Carter 1013D).....	609992	1	5.15
41-48	ALL (exc. FT, FU, COE) (for W1-483-S)...	(Carter 1089C).....	609993	1	5.75
49	ALL (exc. D-D, COE) (for W1-684-S).....	(Carter 1500).....	3692429	1	7.10
32-54	ALL (w/Roch.).....		7004363*	1	3.45

\*NOTE: Gaskets not included in this kit. Use required unit listed in 3.724.

**3.726 GASKET—INSULATOR, Carburetor to Manifold**

32-49	COE (w/gov.).....	GASKET, both sides of gov. (1 <sup>13</sup> / <sub>16</sub> I.D.—2 slots			
50-53	ALL w/216 (w/gov.).....	—2 <sup>3</sup> / <sub>16</sub> x 3 <sup>1</sup> / <sub>2</sub> overall x 1/ <sub>16</sub> thick).....	3651972	2	.08
37-52	PASS. w/7005080,				
39-42	COE (w/out gov.).....	GASKET, carb. to spacer (1 <sup>1</sup> / <sub>4</sub> I.D.—4 slots—			
48-49	DUBL-DUTI (w/out gov.).....	2 <sup>1</sup> / <sub>4</sub> x 3 <sup>3</sup> / <sub>4</sub> overall x 1/ <sub>8</sub> thick).....	839632	2	.21
50	UTIL. w/235 (exc. SBC),				
51-53	UTIL. w/235 (w/gov.),				
53	PASS. (exc. P.G.),				
54	COMM., UTIL. (w/gov.) (exc. D-D, A.T.).	GASKET (1 <sup>13</sup> / <sub>16</sub> I.D. w/4 holes 5/ <sub>16</sub> I.D.).....	3692801	2	.08
50-52	DUBL-DUTI,				
61-54	COE.....	between carb. spacer and carb.,			
53	SBC w/235.....	between gov. and inlet mfd.,			
54	COMM., UTIL. (exc. A.T.).....	between gov. and carb.....	3635891	A.R.	.15
53-54	PASS. (w/gov. below 40 MPH) (exc. P.G.)	GASKET (4 <sup>3</sup> / <sub>4</sub> O.L.).....	3707448	2	.10
34-36	DB, P, EB, Q, FB, R.....	INSULATOR (1 <sup>1</sup> / <sub>4</sub> I.D.—stencilled "T").....	837486	1	.33
34-36	DC, EC, FA, FC, FD,				
35-36	ALL (w/scan. eng.).....	INSULATOR (1 <sup>1</sup> / <sub>4</sub> I.D.—stencilled "S").....	837487	1	.33
34-40	PASS. (exc. DC, EC, F) (w/o gov.).....	INSULATOR (3/ <sub>16</sub> thick—2 <sup>1</sup> / <sub>16</sub> ctr. to ctr. bolt			
41-53	ALL w/216.....	holes).....	3692797	1	.42
37-39	GC, GD, GE, S, HC, HD, HE, T, JC, ID,	INSULATOR, w/sleeve (1 <sup>1</sup> / <sub>4</sub> I.D. top—1 <sup>1</sup> / <sub>4</sub> I.D.			
	JE, V (exc. COE).....	bottom—2 <sup>3</sup> / <sub>16</sub> x 3 <sup>1</sup> / <sub>2</sub> overall).....	838983	1	.38
40	KC, KD, KE, KF, WA, WB (not used w/gov.)	INSULATOR, w/sleeve (1 <sup>1</sup> / <sub>4</sub> I.D. top—1 <sup>1</sup> / <sub>4</sub> I.D.			
41-49	ALL (exc. PASS., COE, 2 TON) (use in	bottom—1 <sup>1</sup> / <sub>4</sub> x 3 <sup>1</sup> / <sub>2</sub> slot on top of sleeve—stan-			
	place of 3692797 to slow down engine)	cilled "FRONT").....	605382	1	.38
50	PASS. w/P.G.,				
51-53	ALL w/235 (w/Roch.),				
54	ALL (w/Roch.) (exc. SBC).....	INSULATOR (2 <sup>1</sup> / <sub>16</sub> ctr. to ctr. of bolt holes)....	3692798	1	.42

### 3.729 BODY—SPACER, Carburetor

32-49	ALL				
50-51	ALL w/216 (use w/7002539-40, 7004039)	throttle (cast 7002105)	7002104	1	5.45
37-52	PASS. w/A.C. (exc. P.G.)	throttle	7005057	1	6.20
50-51	UTIL. w/235 (exc. COE) (w/7002051)	throttle (cast 7002128—identified by 1 vac. port hole)	7002110	1	5.45
50-51	PASS. w/P.G. (w/7003060)	throttle (use w/return check)	7003235	1	5.45
50-51	UTIL. w/235 (exc. COE) (use w/7003864)	throttle (identified by 2 vac. port holes)	7004531	1	5.40
50-51	PASS. w/P.G. (w/7003986)	throttle	7004521	1	5.40
32-53	ALL w/216 (w/7004600)	throttle (cast 7002105)	7004517	1	5.40
50-52	UTIL. w/235 (w/7004476)	throttle (cast 7002128)	7004572	1	5.40
52	PASS. w/A.C., w/P.G. (w/7003526)	throttle (cast 7003538)	7004082	1	6.05
53	PASS. (exc. P.G., SDL.) (w/7004915)				
54	PASS., COMM. w/A.T. (exc. P.G.) (w/7005921)	w/small cam lift (cast 7003538)	7005645	1	6.05
53	PASS. w/P.G. (w/7004478)	w/large cam lift (cast 7003538)	7005647	1	6.05
53	UTIL. w/235 (exc. COE) (w/7004468)				
54	COMM., UTIL. (exc. A.T., D-D, COE, 261)	(cast 7002128)	7005643	1	5.40
41-42	COE	SPACER, carb. to mfld. (cast 839630)	839630	1	.70
54	COE (w/o gov.)	SPACER (cast iron)	2193996	1	2.75

### 3.730 HORN, Carburetor Air, with Choke Valve and Lever

32-36	ALL (use w/609428 carb.)				
41-48	ALL (exc. DUBL-DUTI, COE)	(Carter 6-374-S)	839508	1	4.10
49	ALL (exc. DUBL-DUTI, COE)	(Carter 6-586-S)	3688208	1	4.10
37-40	ALL (w/Roch.) (w/7002540)	(cast 7002054—thin flanges)	7002678	1	4.85
32-36	ALL (w/Roch.)				
41-49	ALL (w/Roch.)				
50-51	ALL w/216 (w/7002539)	(cast 7002054—thin flanges)	7002053	1	4.85
32-36	ALL				
41-49	ALL (exc. D-D, COE)				
50-51	ALL w/216 (w/7004039)	(cast 7003911—reinforced flanges)	7004338	1	4.95
37-52	PASS. w/A.C. (exc. P.G.)	(stmpd. 4617)	7005055	1	6.15
50-51	UTIL. w/235 (exc. COE) (w/7002051)	(cast 7002054—thin flanges)	7002048	1	4.85
50-51	PASS. w/P.G. (w/7003060)	w/main well and support (cast 7002846—thin flanges)	7003143	1	6.05
50-51	PASS. w/P.G. (w/7003986)	w/main well and support (stmpd. 4499—reinforced flanges)	7004505	1	6.15
50-51	UTIL. w/235 (exc. COE) (w/7003864)	(cast 7003911—reinforced flanges)	7004337	1	4.95
32-49	ALL				
50-53	ALL w/216 (w/7004600)	w/main well support (stmpd. 4509)	7004669	1	6.15
50-52	UTIL. w/235 (w/7004476)	w/main well support (stmpd. 4519)	7004668	1	6.15
52	PASS. w/A.C., w/P.G. (w/7003526)	w/main well and power valve support (stmpd. 3528)	7004071	1	6.20
53	PASS. (exc. SDL.) (w/7004478-4915)	w/main well support (stamped 5423)	7005644	1	6.20
53	UTIL. w/235 (exc. COE)				
54	COMM., UTIL. (exc. A.T., D-D, COE, 261) (w/7004468)	w/main well support (stamped 4623)	7005642	1	6.15
54	PASS., COMM. w/A.T. (exc. D-D)	w/main well supt. (stamped 5925)	7006122	1	6.20
54	UTIL. w/261 (exc. COE)	w/main well supt. (stamped 5598)	7006124	1	6.15

### 3.731 GASKET, Carburetor Air Horn

36-38	ALL	(Carter 20-58) ( $\frac{3}{8}$ I.D. x $\frac{1}{4}$ O.D.)	837909	1	.08
32-36	ALL (use w/609428 carb.)				
39-49	ALL (exc. DUBL-DUTI, COE)	(Carter 20-71) ( $\frac{3}{8}$ I.D. x $\frac{3}{8}$ O.D.)	838894	1	.08

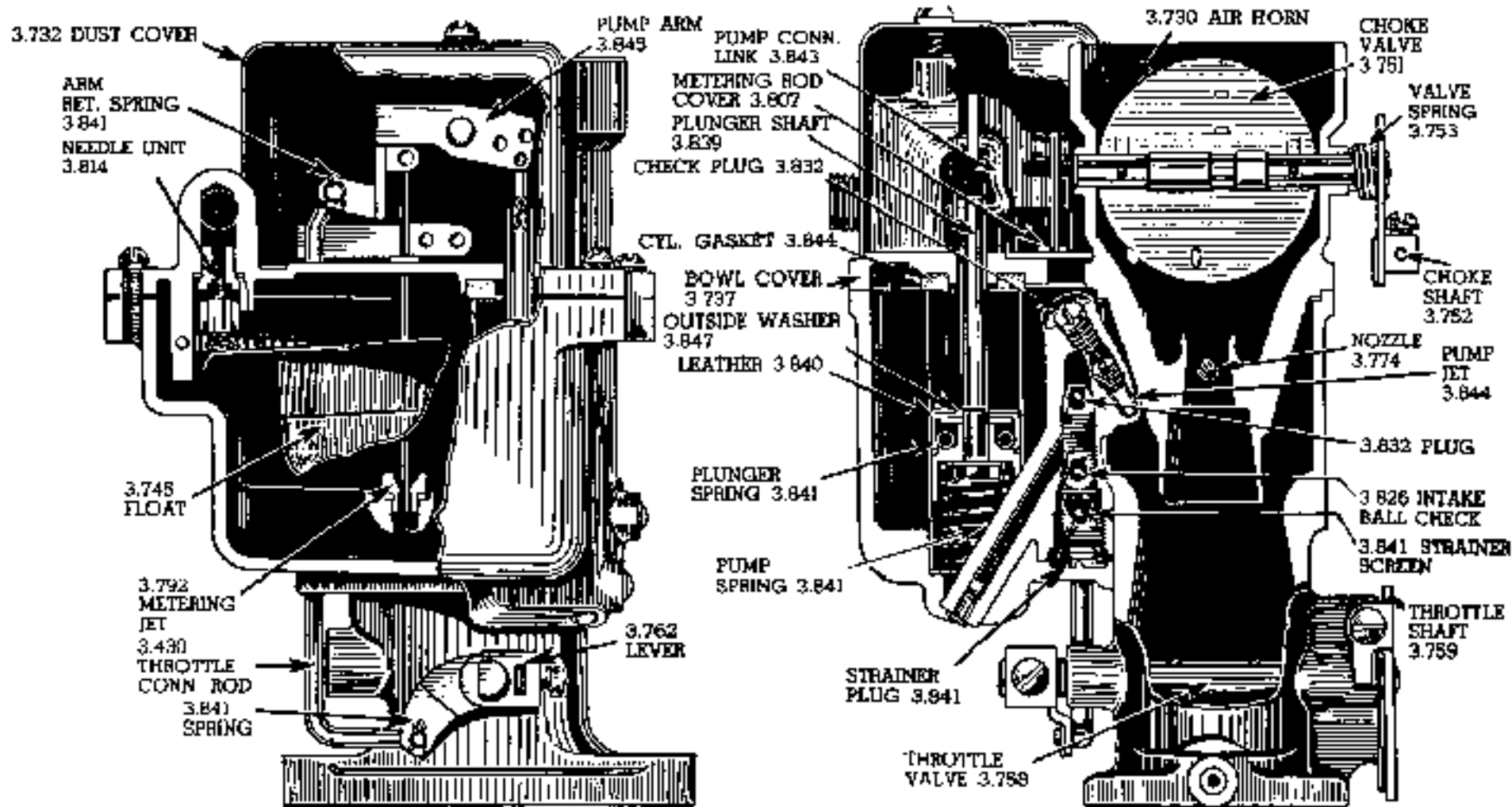
### 3.732 COVER, Carburetor Dust

32-49	ALL (exc. DUBL-DUTI, COE)	(Carter 118-43)	839520	1	.75
-------	---------------------------	-----------------	--------	---	-----

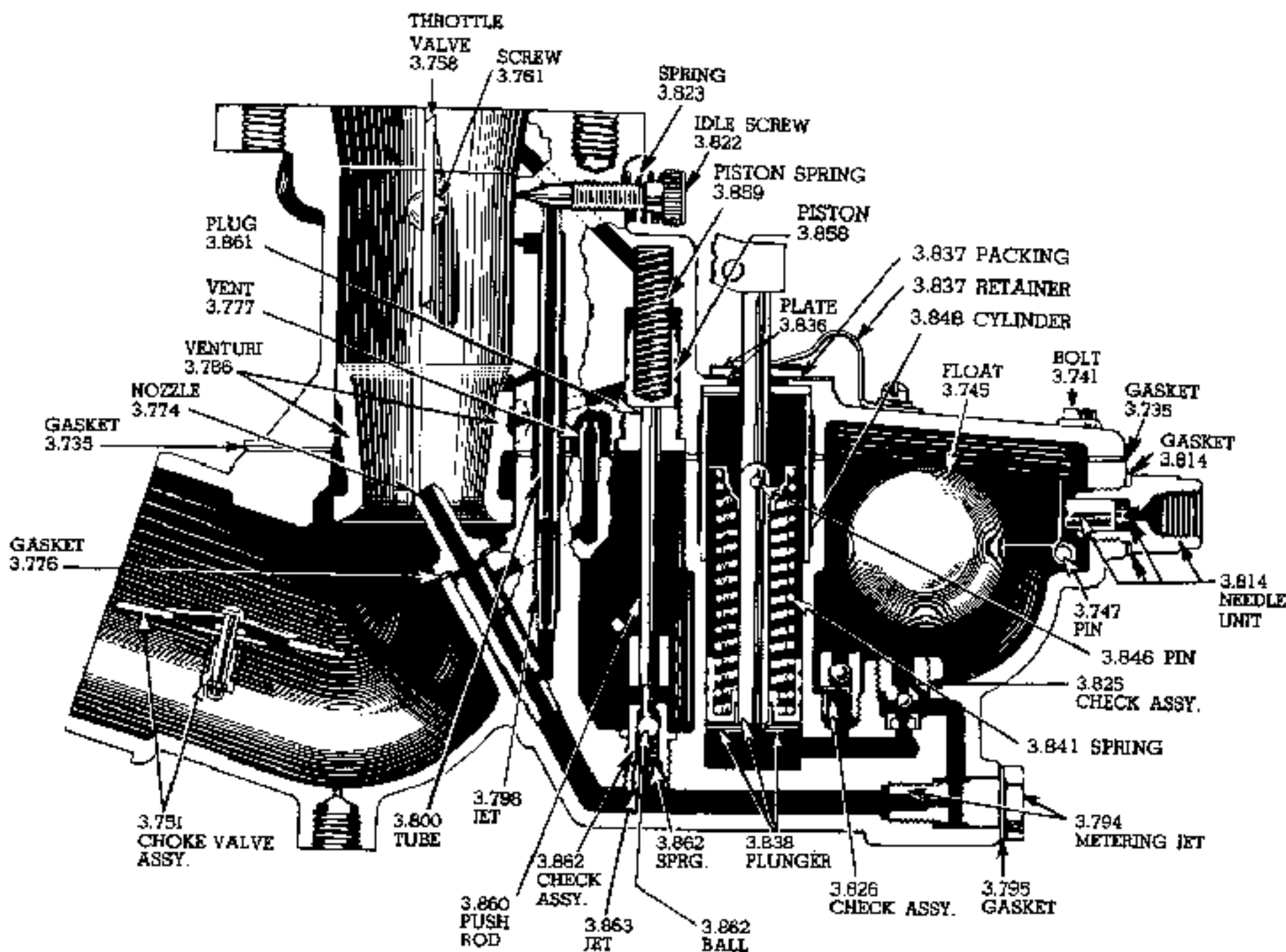
### 3.733 BRACKET, Carburetor Choke Tube

32-50	ALL (w/Roch.)				
51	COMM., UTILITY (w/Roch.) (1st type)	throttle and choke	7002116	1	.36
51	PASS. (1st type)	choke control	7002793	1	.36
32-53	ALL (w/Roch.) (2nd type) (exc. A.C.)				
54	COMM., UTIL. (w/Roch.) (exc. A.T.)	throttle and choke control	7003938	1	.35
54	COE	choke control (Carter 62-1955)	3710371	1	.38

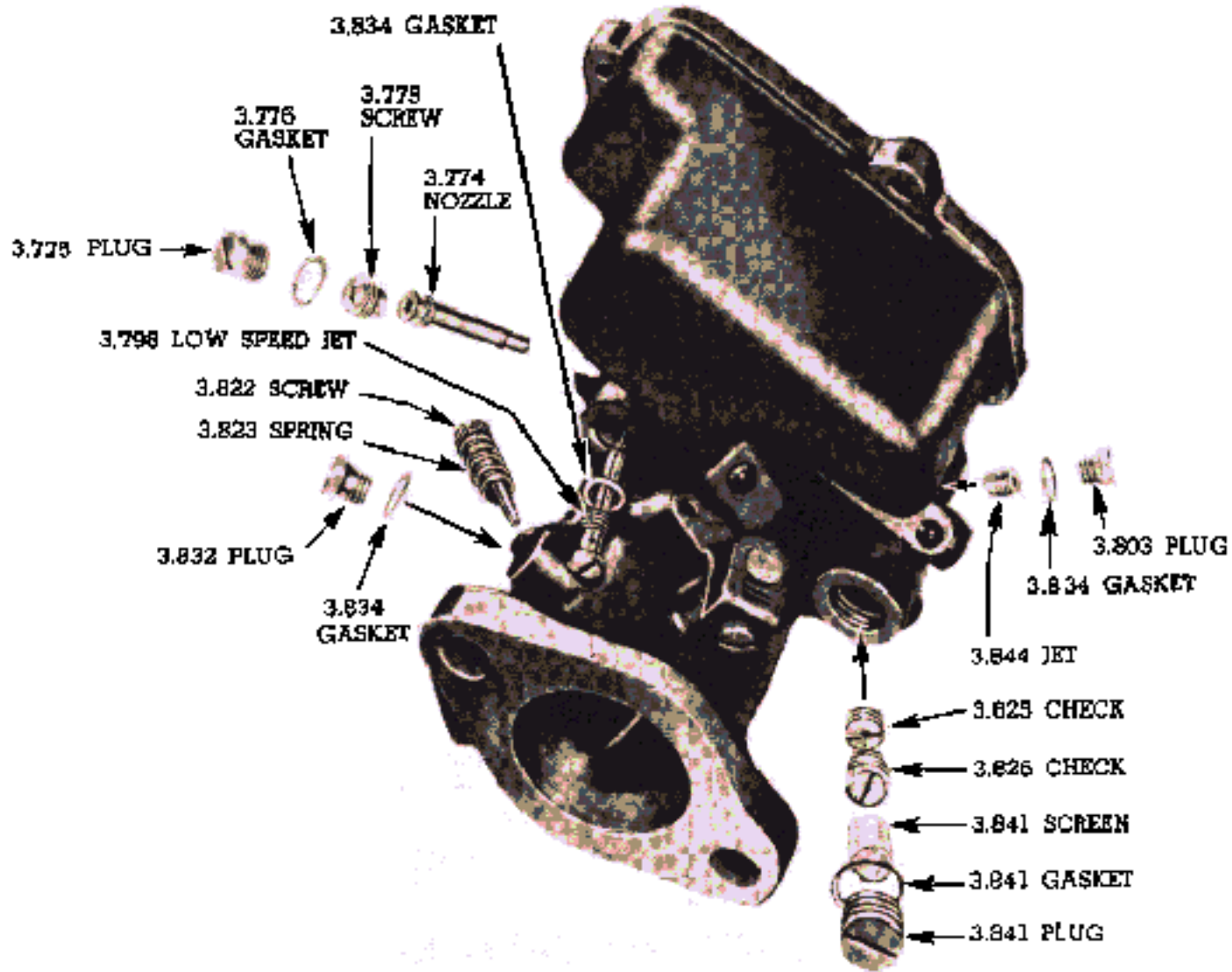




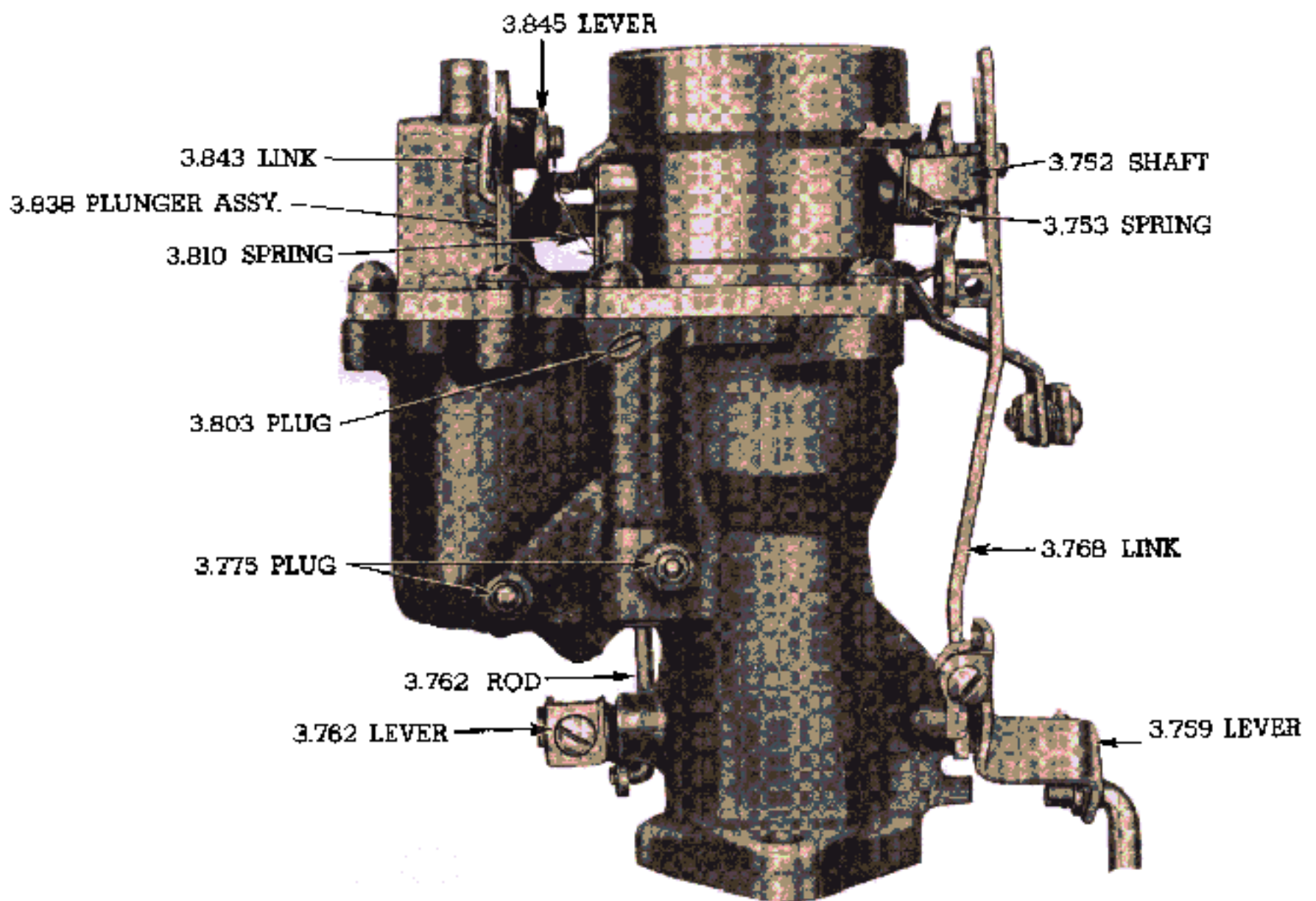
**CARBURETOR—DOWNDRAFT—EARLY TYPE**



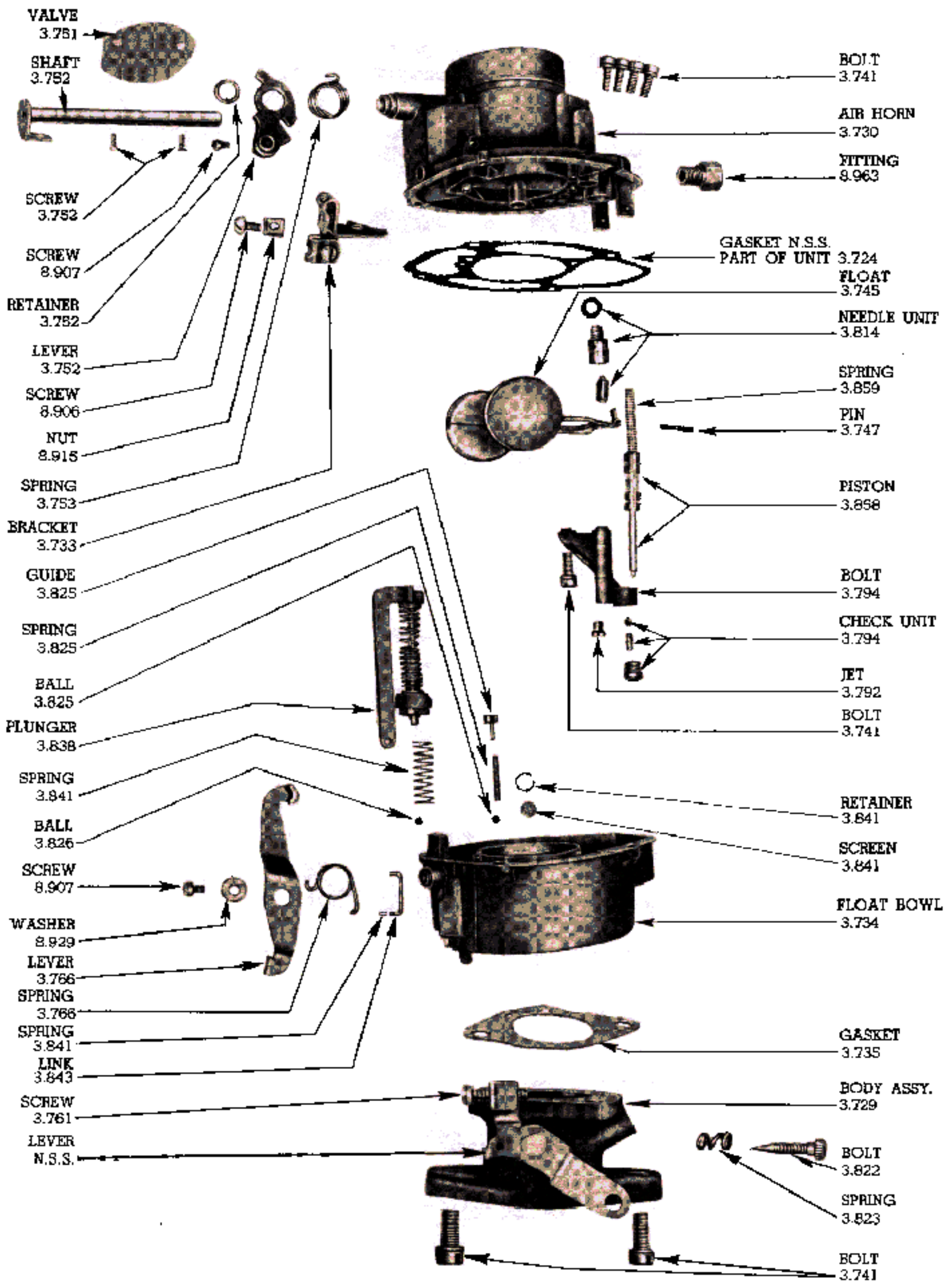
**CARBURETOR—CAB-OVER-ENGINE**



**CARBURETOR—EXPLODED VIEW**

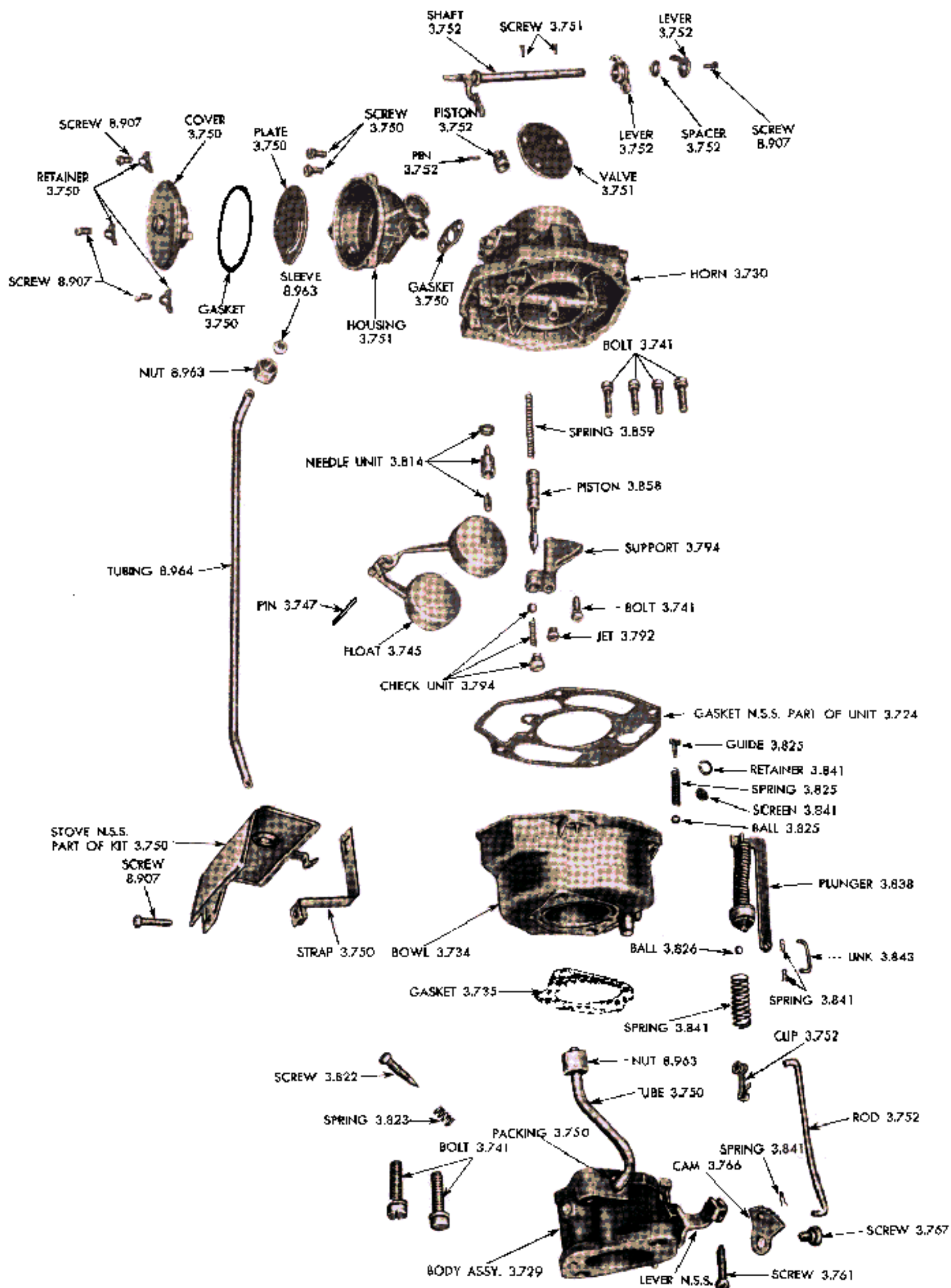


**CARBURETOR FAST IDLING LINKAGE**



## MANUAL CHOKE CARBURETOR





## AUTOMATIC CHOKE CARBURETOR



**3.734 BOWL, Carburetor Float**

32-49	ALL (w/Roch.),				
50-51	ALL w/216 (w/7002539-40).....	(cast 7002099—thin flange).....	7002889	1	5.45
32-49	ALL (w/Roch.),				
50-51	ALL w/216 (w/7004039).....	(cast 7003913—reinforced type).....	7004321	1	5.60
32-53	ALL w/216 (w/7004600, 7005060).....	(cast 7004516—reinforced type).....	7004733	1	5.90
50-51	ALL w/235 (exc. D-D, COE) (w/7002051, 7003060).....	(cast 7002046—thin flange).....	7002890	1	5.45
50-51	UTIL, w/235 (exc. COE) (w/7003864)....	(cast 7003912—reinforced type).....	7004320	1	5.60
50-54	ALL (w/7003526-3986-4468-4476-4478- 4915).....	(cast 7004497—reinforced type).....	7004506	1	5.60

**3.735 GASKET, Carburetor Flange or Body (also see group 3.724)**

39-49	D-D, COE (for BB1-517-S, BB1-699-S)....	(Carter 121-13).....	603889	1	.15
50-53	DUBL-DUTI, COE,				
54	DUBL-DUTI.....	body (Carter 121-168).....	3695007	1	.15
54	COE.....	body (Carter 121-245).....	3710363	1	.15

**3.737 COVER, Carburetor Bowl**

37-38	ALL (econ. eng. 1938).....	(Carter 146-39).....	838550	1	1.50
38-40	ALL (exc. COE).....	(Carter 146-75) (cast 838880).....	838880	1	1.50
41-49	ALL (exc. COE).....	w/pump lever shaft (Carter 146-114) (cast 839519).....	605312	1	1.88

**3.738 GASKET, Carburetor Bowl Cover**

32-36	ALL.....	(Carter 121-12).....	836660	1	.15
37-38	ALL (econ. eng. 1938).....	(Carter 121-46).....	838535	1	.15
32-36	ALL (w/609428 carb.),				
41-49	ALL (exc. DUBL-DUTI, COE).....	(Carter 121-67).....	838895	1	.15

**3.741 BOLT, Carburetor Body**

39-49	D-D, COE (for BB1-517-S, BB1-699-S)....	(Carter 101-29) (fill. hd. 1/4—28 x 5/8)....	1879050	3	.08
32-54	ALL (w/Roch.) (exc. A.C.).....	w/1/washer, throttle body to float bowl attaching (5/16—24 x 3/8).....	7002112	2	.06
32-54	ALL (w/Roch.).....	w/1/washer, main well, support, air horn attaching (No. 10—32 x 3/8).....	7000745	A.R.	.06
32-54	ALL (w/Roch.).....	air horn attach., w/1/washer (No. 12 —28 x 15/16).....	7003823	4	.06
37-53	PASS. w/A.C.,				
54	PASS., COMM. w/A.T.....	throttle body to float bowl (5/16—24 x 1 1/8)..	7002877	2	.06

**3.745 FLOAT, Carburetor**

32-49	ALL (exc. DUBL-DUTI, COE).....	(Carter 21-45-S).....	836636	1	1.20
39-54	D-D, COE (for BB1-517-S, BB1-699-S)....	(Carter 21-49-S).....	603885	1	1.20
32-54	ALL (w/Roch.).....	(w/lever).....	7002672	1	1.60
32-54	ALL (w/Roch.).....	GAUGE, float level (stmpd. 3696192).....	3696192	1	.32

**3.747 PIN, Carburetor Float Lever**

32-49	ALL (exc. DUBL-DUTI, COE).....	PIN (Carter 24-15).....	836689	1	.08
32-54	ALL (w/Roch.).....	PIN.....	7002081	1	.05

**3.750 Automatic Choke Thermostat Control Parts—Adapter Kit**

37-53	PASS.....	COVER, w/thermostat and gasket (molded 7002830).....	7004072	1	2.50
54	PASS., COMM. w/A.T. (exc. P.G., D-D)...	COVER, w/thermostat and gasket.....	7006137	1	2.90
37-53	PASS.,				
54	PASS., COMM. w/A.T. (exc. D-D).....	TUBE, choke suction, w/seal.....	7002881	1	.47
37-53	PASS.,				
54	PASS., COMM. w/A.T. (exc. D-D).....	PACKING, choke suction tube.....	7002883	1	25/31
37-53	PASS.,				
54	PASS., COMM. w/A.T. (exc. D-D).....	GASKET, thermostat housing cover.....	7002760	1	.06
37-53	PASS.,				
54	PASS., COMM. w/A.T. (exc. D-D).....	GASKET, choke housing to air horn.....	7002841	1	.06

37-53	PASS.,					
54	PASS., COMM. w/A.T. (exc. D-D).....	PLATE, thermostat baffle.....	7002859	1		.16
37-53	PASS.,					
54	PASS., COMM. w/A.T. (exc. P.G., D-D)..	RETAINER, thermostat housing cover.....	7000614	3		.05
54	PASS. w/P.G.....	RETAINER (has 2 teeth).....	7001647	1		.05
54	PASS. w/P.G.....	RETAINER (triangle shape).....	7001649	1		.05
37-53	PASS.,					
54	PASS., COMM. w/A.T. (exc. D-D).....	SCREW, housing (self-lock 8-32 x 3/16).....	7004487	2		.05
37	PASS.,					
54	PASS., COMM. w/A.T. (exc. D-D).....	STRAP, manifold heater.....	3697880	1		.18
37-52	PASS.....	KIT, adapter.....	7003924*	1		1.20

\*NOTE: 7003924 must be used for initial installation of Automatic Choke Carburetors.

### 3.751 VALVE—HOUSING, Carburetor Choke

36-38	ALL (econ. eng., reg. prod. 1936, econ. eng. 1938).....	w/hinge (Carter 7-85).....	602030	1		.60
39-40	ALL (exc. COE).....	(Carter 7-110).....	838888	1		.30
32-54	ALL (w/Roch.).....		7002086	1		.30
37-53	PASS. w/A.C. (exc. P.G.),					
54	PASS., COMM. w/A.T. (exc. P.G., D-D)..	HOUSING (cast 7004619).....	7004618	1		1.50
52-53	PASS. w/A.C., w/P.G.....	HOUSING (cast 7003532).....	7003531	1		1.20
54	PASS. w/P.G.....	HOUSING, with plug.....	7005929	1		1.20
32-49	ALL (exc. CC, D-D, COE).....	SCREW, valve (Carter 39-11).....	342146	2	(3.761)	
32-54	ALL (w/Roch.).....	SCREW, valve (No. 8-32 x 1 1/4).....	7002305	2		.06

### 3.752 SHAFT—LEVER—RETAINER, Carburetor Choke

39-40	ALL (exc. COE).....	w/lever (Carter 14-2395).....	838890	1		.60
32-36	ALL (w/609428 carb.),					
41-49	ALL (exc. DUBL-DUTI, COE).....	w/lever (Carter 14-270S).....	839509	1		.60
32-54	ALL (w/Roch.) (exc. A.C.).....	w/lever.....	7002082	1		.65
37-52	PASS. w/A.C.....	w/lever and link (5 3/4 O.L.).....	7002850	1		.74
53	PASS. (exc. SDL),					
54	PASS., COMM. w/A.T. (exc. P.G.).....	w/lever and link (5 O.L.).....	7005185	1		.80
54	PASS. w/P.G.....	w/lever and link (shaft 4 7/16 O.L.).....	7005931	1		.80
54	DUBL-DUTI, COE.....	w/lever (Carter 14-474S).....	3710366	1		.60
32-36	ALL (w/609428 carb.),					
41-48	ALL (exc. COE).....	LEVER, w/wire guide (Carter 14-268S).....	839495	1		.53
49	ALL (exc. D-D, COE).....	LEVER, w/wire guide (Carter 14-373S).....	3688213	1		.60
32-54	ALL (w/Roch.) (exc. A.C.).....	LEVER, w/swivel.....	7002084	1		.65
37-52	PASS. w/A.C.....	LEVER, w/collar (.164 hole in lever).....	7002860	1		.30
37-52	PASS. w/A.C.....	LEVER, choke trip (L shape w/arm 1/2 wide).....	7002863	1		.16
53	PASS. (exc. SDL),					
54	PASS., COMM. w/A.T.....	LEVER, w/collar (.133 hole in lever).....	7005170	1		.31
53	PASS. (exc. SDL),					
54	PASS., COMM. w/A.T.....	LEVER, choke trip (hook shape w/arm 1/2 wide).....	7005179	1		.16
32-53	ALL (exc. D-D, COE, A.C.),					
54	COMM., UTIL. (exc. A.T., D-D, COE)....	RETAINER (Carter 63-44).....	838884	1		.09
37-52	PASS. w/A.C.....	SPACER, choke trip lever.....	1875354	1	10/	.23
37-52	PASS. w/A.C.....	ROD, choke (.160 O.D. both ends).....	7002880	1		.31
53	PASS. (exc. SDL),					
54	PASS., COMM. w/A.T.....	ROD, choke (.129 O.D. both ends).....	7005172	1		.29
37-54	PASS., COMM. w/A.T., w/A.C.....	CLIP, choke rod.....	7003137	1		.06
37-52	PASS. w/A.C. (exc. P.G.).....	PISTON, choke (.104 center hole).....	7004628	1		.36
52-53	PASS. w/A.C., w/P.G.....	PISTON, choke (.070 center hole).....	7003977	1		.31
53	PASS. (exc. P.G., SDL),					
54	PASS., COMM. w/A.T. (exc. P.G.).....	PISTON, choke (.035 center hole).....	7005190	1		.31
54	PASS. w/P.G.....	PISTON, choke (.046 center hole).....	7005933	1		.31
37-53	PASS. w/A.C.,					
54	PASS., COMM. w/A.T. (exc. P.G.).....	PIN, choke piston (3/8 long).....	7004748	1		.02
54	PASS. w/P.G.....	PIN, choke piston.....	7002854	1	50/	1.20

### 3.753 SPRING, Carburetor Choke

39-40	ALL (exc. COE).....	lever (Carter 61-196) (3/8 free length— 1/2 I.D.—one hook, one loop end).....	838883	1		.15
32-36	ALL (w/609428 carb.).....	valve (Carter 61-231) (7/8 free length— 1/2 I.D.—two hook ends).....	839511	1		.15
41-49	ALL (exc. DUBL-DUTI, COE).....					
32-54	ALL (w/Roch.) (exc. A.C.).....	valve.....	7002356	1		.13

**3.758 VALVE, Carburetor Throttle**

32-36	ALL (w/609428 carb.),				
41-49	ALL (exc. DUBL-DUTI, COE).....	(Carter 2-104).....	839487	1	.15
50-53	DUBL-DUTI, COE,				
54	DUBL-DUTI.....	(Carter 2-137).....	3695010	1	.30
54	COE.....	(Carter 2-162).....	3710364	1	.30

**3.759 SHAFT, Carburetor Throttle Valve, with Lever and Idle Adjusting Screw**

37-38	ALL.....	(Carter 3-270S).....	838350	1	.90
39-40	ALL (exc. COE).....	(Carter 3-338S).....	838973	1	.90
39-49	D-D, COE (for BB1-517-S, BB1-699-S)....	(Carter 3-351S).....	603895	1	.90
41-48	ALL (exc. DUBL-DUTI, COE).....	(Carter 3-470S).....	839561	1	1.05
49	ALL (exc. GT, GU, COE).....	(spacer between lever and shaft) (offset lever).....	3688210	1	1.05
50-53	DUBL-DUTI, COE,				
54	DUBL-DUTI.....	(Carter 3-736S).....	3700266	1	1.13
54	COE.....	(Carter 3-864S).....	3710365	1	1.13

**3.761 SCREW, Carburetor Throttle Valve and Throttle Lever Adjusting**

29-54	ALL (exc. DUBL-DUTI, COE).....	valve (Carter 39-11) (std. rd. hd. No. 3—48 x 7/16).....	342146	2	.03
29-49	ALL (exc. DUBL-DUTI, COE).....	lever adj. (Carter 100-16) (fill. std. hd. No. 10—24 x 13/16).....	835899	1	.08
32-36	ALL (w/609428),				
39-49	ALL (exc. D-D, COE).....	lever adj. (Carter 101-121) (fill. std. hd. No. 10—26 x 13/16).....	839062	1	.08
50-54	DUBL-DUTI, COE.....				
32-54	ALL (w/Roch. Carb.) (exc. A.C.).....	throttle shaft and lever (No. 10—32 x 3/4).....	7002121	1	.05
37-54	PASS., COMM. w/A.T. w/A.C.....	throttle idle adjustment (10—32 x 1/2)....	7002873	1	.06

**3.762 LEVER—ROD—CLIP, Carburetor Throttle and Pump**

32-49	ALL (exc. DUBL-DUTI, COE).....	LEVER (Carter 114-175).....	836704	1	.30
32-49	ALL (exc. DUBL-DUTI, COE).....	ROD, connector.....	3692979	1	.38
32-49	ALL (exc. DUBL-DUTI, COE).....	CLIP, connector rod clevis.....	7002139	1	.07

**3.766 CAM—LEVER—SPRING, Carburetor Fast Idle**

37-52	PASS. w/A.C. (exc. P.G.).....	(one .315 hole, one .164 hole).....	7004631	1	.44
52	PASS. w/A.C., w/P.G.....	(one .315 hole, one .164 hole).....	7003542	1	.44
53	PASS. (exc. P.G., SDL),				
54	PASS., COMM. w/A.T. (exc. P.G.).....	(one .315 hole, one .133 hole).....	7005178	1	.44
53	PASS. w/P.G.....	(one .315 hole, one .133 hole).....	7005176	1	.44
54	PASS. w/P.G.....	(stamped 5938).....	7005938	1	.44
32-54	ALL (w/Roch.) (exc. A.C.).....	LEVER.....	7002103	1	.30
32-53	ALL (w/Roch. (exc. A.C.).....	SPRING, lever.....	7002102	1	.16

**3.767 SCREW, Carburetor Fast Idle Cam**

37-54	PASS., COMM. w/A.T. w/A.C.....	(12—28 x 3/8 w/3/8 dia. shldr.).....	7003561	1	.16
-------	--------------------------------	--------------------------------------	---------	---	-----

**3.768 LINK, Carburetor Fast Idle**

49	ALL (exc. GT, GU, COE).....	(Carter 117-131).....	3688214	1	.23
----	-----------------------------	-----------------------	---------	---	-----

**3.774 NOZZLE, Carburetor**

38-40	ALL (exc. COE).....	unit (Carter 12-304 U) (contains Carter 12-301S, 11B-164 and 20-45).....	609394	1	.88
32-36	ALL (w/609428 carb.),				
41-49	ALL (exc. DUBL-DUTI, COE).....	(Carter 12-274S).....	839486	1	.68
48-49	DUBL-DUTI (for BB1-699-S).....	(Carter 12-330).....	3692190	1	.90
50-54	DUBL-DUTI, COE.....	(Carter 12-344).....	3695008	1	.90

**3.775 PLUG—SCREW, Carburetor Nozzle Passage**

29-49	ALL (exc. DUBL-DUTI, COE).....	(Carter 11B-12).....	836331	7	.03
32-48	ALL (exc. COE).....	(Carter 11B-27).....	836643	1	(3.832)
32-36	ALL (w/609428 carb.),				
34-49	ALL (exc. DUBL-DUTI, COE).....	(Carter 11B-62).....	837367	1	.03
32-36	ALL (w/609428 carb.),				
41-49	ALL (exc. DUBL-DUTI, COE).....	SCREW (Carter 11B-164).....	839491	1	.15

### 3.775 GASKET, Carburetor Nozzle Screw

32-36	ALL (w/609428 carb.),			
34-49	ALL (exc. DUBL-DUTI, COE)	(Carter 20-45)	837370	1 .08
39-54	D-D, COE (for BB1-517-S, BB1-699-S)	(Carter 20-30)	603892	1 .08
32-49	ALL (exc. COE)	(Carter 136-20)	836845	1 (3.841)

### 3.777 VENT, Carburetor Nozzle

50-54	DUBL-DUTI, COE	(Carter 145-71)	3695009	1 .08
-------	----------------	-----------------	---------	-------

### 3.792 IET, Carburetor Metering Rod, with Gasket

34-42	ALL (exc. DA, WC, YT, MT, COE),			
46-48	PASS., COMM.	w/economy eng. (Carter 120-49S)		
46-47	OR, OS, PJ, PK, QJ, QK.	(stamped 83.5)	837456	1 .45
34-35	DA, E, Q	(Carter 120-21S) (stamped 89)	837490	1 .45
38-40	ALL (exc. COE)	(Carter 120-129S) (stamped 95)	838798	1 .45
32-36	ALL (w/609428 carb.),			
41-49	ALL (exc. DUBL-DUTI, COE)	(Carter 120-115S) (stamped 93)	838080	1 .45
41-49	D-D, COE (for BB1-517-S, BB1-699-S),			
54	COE	1 step lean (Carter 159-99),		
50-53	D-D, COE (BB1-745-S),			
54	DUBL-DUTI	1 step rich	608068	1 .45
50-53	D-D, COE (BB1-745-S),			
54	DUBL-DUTI	1 step lean (Carter 159-129)	3695334	1 .45
41-49	DUBL-DUTI, COE,			
54	COE	2 step lean,		
50-53	DUBL-DUTI, COE,			
54	DUBL-DUTI	standard (Carter 159-100)	608071	1 .45
32-53	ALL w/216 (w/7002540-4600)	1 step rich	7001498	1 .48
32-36	ALL (w/Roch. Carb.)	main (standard),		
37-40	ALL (w/Roch. Carb. 7002540-4600)	1 step lean,		
41-49	ALL (w/Roch. Carb. 7002539),			
50-51	ALL w/216 (w/7004039)	main (standard),		
53	ALL w/216 (w/7004600)	1 step lean	7002651	1 .48
32-36	ALL (w/Roch. Carb.),			
41-49	ALL (w/Roch. Carb.),			
50-51	ALL w/216 (w/7002539-4039)	1 step lean	7002650	1 .48
32-51	ALL w/7002539-4039	1 step rich,		
37-53	ALL w/7002540-4600-5060	main (standard)	7002652	1 .48
51	PASS. w/P.G. (w/7003986)	standard,		
50-52	PASS. w/P.G. (w/7003526)	1 step lean	7002656	1 .48
50-51	ALL w/235 (w/7002051-3060-3864)	standard,		
52	UTIL. w/235 (w/7004476)	1 step lean,		
52	PASS. w/A.C. (w/7003526)	1 step rich	7002658	1 .48
50-51	ALL w/235 (w/7002051-3060-3864)	1 step lean,		
50-51	PASS. w/P.G. (w/7003986)	1 step rich,		
52	PASS. w/A.C. (w/7003526)	standard	7002657	1 .48
50-51	ALL w/235 (w/7002051-3060-3864)	1 step rich,		
52	UTIL. w/235 (w/7004476)	standard	7002659	1 .48
32-51	ALL (w/7002540, 7004600),			
52	ALL (w/7002540, 7004600) (exc. P.G.)	2 step rich	7001607	1 .48
52	UTIL. w/235 (w/7004476)	1 step rich	7002660	1 .48
53-54	ALL w/235 (exc. D-D, COE)	main, standard (stamped 58)	7002958	1 .48
53-54	ALL w/235 (exc. D-D, COE)	1 step lean (stamped 57)	7002957	1 .48
53-54	ALL w/235 (exc. D-D, COE)	main, 1 step rich (stamped 59)	7002959	1 .48
54	2 TON w/261 (exc. COE)	main, standard (stamped 65)	7002963	1 .48
54	2 TON w/261 (exc. COE)	1 step lean (stamped 64)	7002964	1 .48
54	2 TON w/261 (exc. COE)	1 step rich (stamped 66)	7002966	1 .45

### 3.794 SUPPORT-CHECK UNIT, Power Valve

37-40	ALL (w/Roch. Carb.) (w/7002540)	(cast 7002063—stamped 74)	7002680	1 1.80
32-36	ALL (w/Roch. Carb.),			
41-49	ALL (w/Roch. Carb.),			
50-51	ALL w/216 (w/7002539)	(cast 7002063—stamped 50)	7002061	1 1.80
32-36	ALL,			
41-49	ALL (exc. D-D, COE),			
50-51	ALL w/216 (w/7004039)	(cast 7003918—stamped 63)	7003922	1 1.80



50-51	UTIL. w/235 (w/7002051).....	(cast 7002063—stamped 51).....	7002158	1	1.80
50-51	PASS. w/P.G. (w/7003060).....	(cast 3267—stamped 60).....	7003079	1	1.80
50-51	UTIL. w/235 (w/7003864).....	(cast 7003918—stamped 64).....	7003921	1	1.80
50-51	PASS. w/P.G. (w/7003986).....	(cast 7003820—stamped 95).....	7004523	1	1.75
37-53	ALL w/216 (w/7004600, 7005060).....	(stamped 4513).....	7004512	1	1.80
52	PASS. w/A.C., w/P.G. (w/7003526).....	(cast 7003820—stamped 4530).....	7003822	1	1.80
52	UTIL. w/235 (w/7004476).....	(cast 7003820—stamped 4570).....	7004571	1	1.80
53	PASS. (exc. SDL).....	(stamped 5423 and 58).....	7005422	1	1.80
53	UTIL. w/235 (exc. COE),				
54	COMM., UTIL. w/235 (exc. A.T., COE).....	(stamped 5429).....	7005428	1	1.80
54	PASS., COMM. w/A.T. (exc. D-D).....	(stamped 5925).....	7005924	1	1.80
54	2 TON w/261 (exc. COE).....	(stamped 5598).....	7005597	1	1.80
32-53	ALL (w/Roch.),				
54	COMM., UTIL. (w/Roch.) (exc. A.T.).....	CHECK UNIT, w/springs.....	7002360	1	.30
54	PASS., COMM. w/A.T. (exc. D-D).....	CHECK UNIT.....	7006121	1	.30

### 3.798 JET—GASKET, Carburetor Low Speed

34-39	ALL (exc. COE).....	(Carter 11-138) (stamped 837369).....	837369	1	.30
39-40	ALL (exc. COE).....	(Carter 11-144) (stamped 603648).....	603648	1	.30
32-36	ALL (w/609428 carb.),				
41-49	ALL (exc. DUBL-DUTI, COE).....	(Carter 11-173S).....	839512	1	.45
41-42	ALL (exc. YT, MT, COE) (econ. eng.),				
46-48	PASS., COMM. (econ. eng.),				
46-47	OR, OS, PJ, PK, QI, QK (econ. eng.).....	(Carter 11-147) (stamped 838599).....	838599	1	.30
50-54	DUBL-DUTI, COE.....	(Carter 123-58).....	3695012	1	.30
32-36	ALL (w/609428 carb.),				
34-49	ALL (exc. COE).....	GASKET (Carter 136-27).....	832336	1	(3.834)

### 3.803 PLUG—GASKET, Carburetor Pump Jet

29-49	ALL (exc. DUBL-DUTI, COE).....	PLUG, passage (Carter 11B-16).....	836242	1	.15
34-49	ALL (exc. COE).....	GASKET, passage plug (Carter 136-27).....	837336	1	(3.834)

### 3.806 ROD, Carburetor Metering

NOTE: Metering rods are stamped with identification numbers on both sides of flat. These numbers are shown in the listings below, first the Chevrolet number, second the Carter number.

32-36	ALL (w/609428 carb.),				
41-49	ALL (exc. DUBL-DUTI, COE).....	std. (stamped 67-46, 75-485).....	839577	1	.45
39-40	ALL (exc. COE).....	1 step lean (stamped 69-43, 75-342).....	838970	1	.45
41-49	ALL (exc. COE).....	1 step lean (stamped 68-49, 75-517).....	605554	1	.45
41-49	ALL (exc. COE) (econ. eng.).....	1 step lean (stamped 685-49, 75-518).....	605562	1	.45
41-49	ALL (exc. COE).....	1 step rich (stamped 66-42, 75-562).....	3669080	1	.45

### 3.807 COVER, Carburetor Metering Rod Hole

32-37	ALL (w/609428 carb.),				
41-49	ALL (exc. DUBL-DUTI, COE).....	COVER (Carter 129-18).....	836678	1	.03
38-40	ALL (exc. COE).....	COVER (Carter 129-21).....	838896	1	.03

### 3.809 GAUGE, Carburetor Metering Rod Adjusting

32-49	ALL (exc. COE).....	(Carter T 109-25) (stamped 2-795).....	600996	A.R.	.27
-------	---------------------	--	--------	------	-----

### 3.810 SPRING, Carburetor Metering Rod

32-49	ALL (exc. DUBL-DUTI, COE).....	(Carter 61-242).....	839397	1	.15
-------	--------------------------------	----------------------	--------	---	-----

### 3.814 NEEDLE, Carburetor Intake (with Seat and Gasket)

29-49	ALL (exc. DUBL-DUTI, COE).....	unit (Carter 25-33S).....	601427	1	1.20
39-53	D-D, COE (for BB1-517-S, BB1-699-S),				
54	DUBL-DUTI.....	unit, less gasket (Carter 25-44S).....	603925	1	1.20
32-54	ALL (w/Roch.) (exc. D-D, COE).....	unit w/gasket (two grooves around O.D.).....	7002359	1	1.30
54	COE.....	w/seat (Carter 25-63S).....	3710369	1	1.20
39-54	D-D, COE (for BB1-517-S, BB1-699-S).....	GASKET, seat (Carter 20-31).....	603926	1	.08

### 3.822 SCREW, Carburetor Idle Adjusting

32-36	ALL (w/609428 carb.),				
41-49	ALL (exc. DUBL-DUTI, COE).....	(Carter 30A-40).....	837368	1	.45
32-54	ALL (w/Roch. Carb.).....		7002357	1	.42

**3.823 SPRING, Carburetor Idle Adjusting Screw**

32-36	ALL (w/609428 carb.),				
41-49	ALL (exc. DUBL-DUTI, COE)	(Carter 61-97)	837366	1	.15
39-54	D-D, COE (for BB1-517-S, BB1-699-S)	(Carter 61-57)	1875042	1	.08
32-54	ALL (w/Roch. Carb.)	lock spring	7001666	1	.06

**3.825 CHECK-BALL-SPRING-GUIDE, Carburetor Pump Outlet Valve**

34-49	ALL (exc. D-D, COE)	(Carter 122-47S)	837531	1	.38
41-54	D-D, COE (for BB1-517-S, BB1-699-S)	(Carter 149-65S)	605652	1	.45
32-54	ALL (w/Roch. Carb.)	BALL, check valve (.1875)	7002117	1	25/.90
32-54	ALL (w/Roch. Carb.)	SPRING, check valve	7002118	1	.13
32-51	ALL (w/7002050-S1-7003060)	GUIDE, spring (round)	7002119	1	.13
32-54	ALL (exc. 7002050-S1-7003060, 7003526)	GUIDE, spring (flat)	7003838	1	.11

**3.826 CHECK-BALL, Carburetor Pump Intake Valve**

32-36	ALL (w/609428 carb.),				
37-48	ALL (exc. COE)	(Carter 122-45S)	837529	1	.38
39-54	D-D, COE (for BB1-517-S, BB1-699-S)	(Carter 149-13S)	603917	1	.45
49	ALL (exc. GT, GU, COE)	(Carter 122-87S)	3688873	1	.38
32-52	ALL w/7002540-3986-4039-4600,				
39-52	D-D, COE (for BB1-517-S, BB1-699-S)				
53-54	ALL	BALL, valve (Carter 116-13) (stainless steel)	1875237	1	(3.862)
32-52	ALL (w/Roch. Carb.)	BALL, valve check (.156 dia.) (aluminum)	7002120	1	25/.90

**3.832 PLUG, Carburetor Discharge Ball Check**

32-49	ALL (exc. DUBL-DUTI, COE)	low speed jet passage (Carter 11B-27)	835643	1	.15
-------	---------------------------	---------------------------------------	--------	---	-----

**3.834 GASKET, Carburetor Idle Passage Plug**

32-48	ALL (exc. COE)	conical (Carter 136-20)	836845	2	(3.841)
32-49	ALL (exc. DUBL-DUTI, COE)	conical (Carter 136-27)	837336	2	.02
32-49	ALL (exc. DUBL-DUTI, COE)	flat (Carter 136-48)	3683686	2	.02
32-48	ALL (exc. COE)	flat (Carter 136-49)	3683687	2	(3.841)

**3.838 PLUNGER-PISTON, Carburetor Pump (with Leather and Shaft)**

33-40	ALL (exc. COE)	(Carter 64-30S)	837142	1	1.35
39-54	D-D, COE (for BB1-517-S, BB1-699-S)	(Carter 161-11S)	603904	1	.45
32-36	ALL (w/609428 carb.),				
41-48	ALL (exc. COE)	(Carter 64-72S)	839528	1	1.05
49	ALL (exc. DUBL-DUTI, COE)	(Carter 64-119S)	3688180	1	1.05
32-54	ALL (w/Roch. Carb.)	w/rod	7002091	1	1.75
41-54	D-D, COE (for BB1-517-S, BB1-699-S)	PISTON, pump (Carter 160-10)	607305	1	.60

**3.840 LEATHER, Carburetor Plunger Seal**

32-40	ALL (exc. COE)	(Carter 64-25)	836680	1	.38
-------	----------------	----------------	--------	---	-----

**3.841 SPRING-RETAINER-SCREEN-GASKET, Carburetor Pump Plunger**

32-36	ALL (w/609428 carb.),				
41-48	ALL (exc. COE and RJH 08-12SS)	SPRING, leather (Carter 61-200)	836146	1	.15
49	ALL (exc. DUBL-DUTI, COE)	SPRING, leather (Carter 61-375)	3688185	1	.15
32-36	ALL (w/609428 carb.),				
41-48	ALL (exc. COE)	SPRING, piston (Carter 61-96)	837362	1	.15
41-54	D-D, COE (for BB1-517-S, BB1-699-S)	SPRING, piston (Carter 61-59)	605650	1	.15
49	ALL (exc. DUBL-DUTI, COE)	SPRING, piston (Carter 61-376)	3688186	1	.15
32-36	ALL (w/609428 carb.)	SPRING, retainer, arm (hairpin type) (Carter			
37-54	ALL (exc. D, D-D, COE, RJH 08-12SS)	150A-10)	836159	1	.02
32-36	ALL (w/609428 carb.),				
41-49	ALL (exc. DUBL-DUTI, COE)	SPRING, anti-rattle, conn. rod (Carter 61-128)	839539	1	.08
32-53	ALL (w/Roch. Carb.)	SPRING, pump return	7002101	1	.13
32-36	ALL (w/609428 carb.)	WASHER, pump lever shaft oil ret. (Carter			
41-48	ALL (exc. DUBL-DUTI, COE)	163-14)	839542	1	.08
32-36	ALL (w/609428 carb.)				
41-49	ALL (exc. DUBL-DUTI, COE)	RETAINER, anti-rattle spring (Carter 63-35)	839540	1	.08

32-52	ALL (w/Roch. Carb.)	RETAINER, inlet screen	7001605	1	.06
32-52	ALL (w/Roch. Carb.)	SCREEN, inlet	7001604	1	.21
32-49	ALL (exc. DUBL-DUTI, COE)	SCREEN, pump strainer (Carter 30-20)	837471	1	.15
32-49	ALL (exc. DUBL-DUTI, COE)	PLUG (Carter 11B-25)	836666	1	.15
32-49	ALL (exc. DUBL-DUTI, COE)	GASKET, plug, conical (Carter 136-20)	836845	1	.02
32-49	ALL (exc. DUBL-DUTI, COE)	GASKET, plug, conical (Carter 136-19)	836846	1	.02
32-49	ALL (exc. DUBL-DUTI, COE)	GASKET, plug, flat (Carter 136-50)	3683685	1	.02
32-49	ALL (exc. DUBL-DUTI, COE)	GASKET, plug, flat (Carter 136-49)	3683687	2	.02

### 3.843 LINK, Carburetor Pump Connector

32-40	ALL (exc. COE)	(Carter 117-28)	1875060	1	.08
41-48	ALL (exc. COE)	(Carter 61-281)	3669082	1	.15
49	ALL (exc. DUBL-DUTI, COE)	(Carter 117-132)	3688179	1	.15
32-52	ALL (w/Roch. carb.)	(groove on each end)	7002820	1	.18
53-54	ALL (exc. D-D, COE)	(curved) (grooved each end and center)	7005136	1	.18

### 3.844 JET-GASKET, Carburetor Pump

32-36	ALL (w/609428 carb.)				
37-49	ALL (exc. DUBL-DUTI, COE)	(Carter 48-43) (stamped 72)	837509	1	.23
32-48	ALL (exc. COE)	GASKET, carb. pump cyl. upr. (Carter 20-29)	836680	1	.08

### 3.849 ARM-LEVER, Carburetor Pump

50-53	DUBL-DUTI, COE,				
54	DUBL-DUTI	ARM (Carter 53A-285S)	3695354	1	.88
32-40	ALL (exc. COE)	LEVER, w/countershaft and spring (Carter 53A-89S)	837885	1	.75
32-36	ALL (w/609428 carb.)	LEVER, w/countershaft and spring (Carter 53A-276S)	609331	1	.45
41-48	ALL (exc. COE)				
49	ALL (exc. DUBL-DUTI, COE)	LEVER, w/countershaft and spring (Carter 53A-292S)	3688192	1	.45

### 3.858 PISTON, Carburetor Power

32-52	ALL (w/Roch. carb.)				
53	ALL w/216	w/rod	7002068	1	.65
53-54	ALL w/235 (exc. D-D, COE)	w/bleed tube	7005174	1	.70
54	2 TON w/261 (exc. COE)	w/bleed tube	7005601	1	.70

### 3.859 SPRING, Carburetor Power Piston

32-49	ALL (w/Roch. carb.)	(power vac. piston—33 coils—2 $\frac{1}{8}$ free length) (silver)	7002071	1	.13
50-53	ALL w/216				
50-53	ALL w/235 (exc. DUBL-DUTI, COE)	(power vac. piston—41 coils—2 $\frac{1}{4}$ free length—copper finish)	7002366	1	.13
54	COMM., UTIL. (w/Roch.)				
54	PASS.	(power vac. piston—33 coils) (blue)	7002896	1	.13

### 3.862 CHECK-BALL, Carburetor Power Valve

48-49	DUBL-DUTI (for BB1-699-S)	(Carter 149-103S)	3692189	1	.60
50-53	DUBL-DUTI, COE,				
54	DUBL-DUTI	(Carter 149-112S)	3704805	1	.60
54	COE	(Carter 149-115S)	3710367	1	.60
32-52	ALL w/7002540-3986-4039-4600-5060,				
39-52	D-D, COE (for BB1-517-S, BB1-699-S),				
53-54	ALL	BALL, check (Carter 116-13) (stainless steel)	1875237	1	.03

### 3.863 JET, Carburetor Power

50-53	DUBL-DUTI, COE,				
54	DUBL-DUTI	(Carter 162-27)	3704806	1	.15
54	COE	(Carter 162-28)	3710368	1	.15

### 3.865 GOVERNOR, Carburetor

41-49	ALL w/235 (exc. SBC, COE)	(King Seeley VSS-207)	3686282	1	9.55
40-53	ALL w/216	(KS VSS-180-D—stamped 3676577)	3676577	1	9.55
50-53	UTIL. (exc. SBC, COE),				
54	COMM., UTIL. (exc. A.T., D-D, COE, SBC)	(KS V6-259—stamped 3693461)	3693461*	1	10.25
50-54	COE (exc. 261)	(KS V6-260—stamped 3692529)	3692529*	1	10.25

50-54	SBC w/235,				
53	PASS. (exc. P.G., SDL),				
54	PASS. (exc. P.G.)	(KS-V65S-261—stamped 3693462)	3693462	1	10.50
54	V, W, X w/261	(stamped KS V6-353 and 3708344)	3708344	1	10.25
54	2 TON SBC w/261	(stamped 3703685)	3703685	1	10.50
54	COE w/261	(stamped KS V6-367 and 3708336)	3708336	1	10.25

\*NOTE: Not tapped or drilled for vacuum advance pipes. Not required on these models.

### 3.870 SEAL—KIT, Carburetor Governor

37-53	ALL	w/wire (wire 24 in.)	596330	1	.33
40-49	ALL (exc. D-D, COE)	KIT, gov. installation (for use w/3676577,			
50-53	ALL w/216	3686282)	3699494	1	1.62
51-53	UTIL. w/235 (exc. SBC, COE),				
54	COMM., UTIL. w/235 (exc. A.T., D-D,	KIT, gov. installation (for use w/3693461)	3699495	1	.65
	SBC, COE)				

### 3.890 FILTER UNIT and PARTS, Gasoline

52	PASS. w/A.C.,				
53	ALL (exc. D-D, COE),				
54	ALL (exc. D-D)	UNIT (consists of 12 filters)	986640	1	26.40
50-54	COMM., UTIL. (exc. D-D, COE),				
53-54	SDL	ADAPTER UNIT (consists of 6—use w/986640)	986621	1	3.60
40-49	ALL	GASKET, filter head	5451936	1	.10
50-54	ALL (exc. DUBL-DUTI, COE)	GASKET, filter head (2 $\frac{1}{8}$ O.D.)	5452822	1	.12
40-49	ALL	ELEMENT	5451937	1	.62
50-54	ALL (exc. DUBL-DUTI, COE)	ELEMENT	5452784	1	.60
40-49	ALL	BOWL	5451938	1	.25
50-54	ALL (exc. DUBL-DUTI, COE)	BOWL	5452821	1	.35
40-49	ALL	SCREW, thumb, w/gasket	5451941	1	.25
50-54	ALL (exc. DUBL-DUTI, COE)	SPRING (3 coils)	5453828	1	(4.669)
50-54	COMM., UTIL. (exc. D-D, COE),				
53-54	SDL	ELBOW (60 degrees)	3693886	1	.22

### 3.900 PUMP ASSEMBLY, Fuel, with Gasket

29-33	ALL	(AC-405)	1523405*	1	6.35
35-36	ALL	(flange stamped 1521812) (AC-421)	1523421*	1	5.25
37-54	ALL	(angle outlet) (AC-9798 or AC-9832)	5592627*	1	5.25
42-52	ALL (1st design)	fuel and vacuum, sgl. action (AC-9803)	5592626*	1	14.65
52-54	ALL (2nd design)	fuel and vacuum, dbl. action (AC-9797)	5592675*	1	14.65
37-51	ALL	ELBOW, inverted flared tube (5 $\frac{1}{16}$ —20 deg.)	3707972*	2	.10

\*NOTE: This special 20° angle fitting provides for installation of part 5592627 on 1937-51 models without bending fuel lines.

\*NOTE: The prices shown are subject to the provisions of the Fair Trade Acts of those States having such laws.

### 3.901 KIT, Fuel Pump Repair

37-51	ALL	(AC-R21)	1538484*	1	2.15
42-51	ALL	(fuel and vacuum—AC-R134)	5591844*	1	6.00
52	ALL	(fuel and vacuum—sgl. acting—AC-R219)	5592878*	1	5.05
52-54	ALL	(fuel and vacuum—dbl. acting—AC-R225)	5592925*	1	5.05
52-54	ALL	(AC-RA 231)	5592988*	1	2.30

\*NOTE: The prices shown are subject to the provisions of the Fair Trade Acts of those States having such laws.

### 3.903 BOWL, Fuel Pump

29-36	ALL (exc. D, P)	w/gasket (type FP-5)	5590156*	1	.45
37-54	ALL	w/gasket (glass—1 $\frac{1}{16}$ I.D. Type FP-8)	5590159*	1	.45

\*NOTE: The prices shown are subject to the provisions of the Fair Trade Acts of those States having such laws.



**3.904 GASKET, Fuel Pump Bowl**

29-36	ALL (exc. D, P).....	(cork—1 1/8 I.D. x 2 1/8 O.D.) (AC-FG-1) ..	5590037	1	.10
37-54	ALL.....	(cork—1 7/8 I.D. x 2 5/8 O.D.).....	5590039	1	.10

**3.906 BAIL, Fuel Pump Bowl, with Screw**

37-49	ALL,				
50-53	ALL (exc. D-D, COE),				
54	ALL (exc. DUBL-DUTI).....	less nut (3 1/8 height overall) .....	1523231	1	.16

**3.916 RETAINER, Fuel Pump Valve**

37-54	ALL.....	(1 1/8 x 1 overall).....	1521956	1	.04
-------	----------	--------------------------	---------	---	-----

**3.920 ARM, Fuel Pump Rocker**

37-54	ALL.....	(2 5/8 length overall).....	1523093	1	.54
-------	----------	-----------------------------	---------	---	-----

**3.922 SPRING, Fuel Pump Rocker Arm**

34-54	ALL.....	(3/8 O.D. x 1 1/4 free length).....	1522046	1	.05
-------	----------	-------------------------------------	---------	---	-----

**3.925 DIAPHRAGM UNIT, Fuel and Vacuum Pump**

34-36	ALL.....	fuel pump (type D-8).....	1538501 <sup>A</sup>	1	.95
	NOTE: 1538501 consists of: diaphragm assy., 6 gaskets, 4 valves and 2 valve springs.				
37-51	ALL.....	fuel pump (type D-15).....	1538507 <sup>A</sup>	1	1.60
	NOTE: 1538507 consists of: diaphragm w/pull rod, 2 valves, 2 valve gaskets, 1 bowl gasket.				
42-51	ALL (w/5591547 pump).....	fuel side (AC-D-54).....	5591843 <sup>A</sup>	1	1.50
	NOTE: 5591843 consists of: diaphragm w/pull rod, 2 valves, 1 valve plate, 4 gaskets.				
42-52	ALL.....	vacuum side—sgl. acting (AC-D-53).....	5591738 <sup>A</sup>	1	1.75
	NOTE: 5591738 consists of: diaphragm w/pull rod, 2 valves, 2 valve gaskets, 1 valve plate, 1 cover gasket, 1 spring, 1 spring seat.				
52-54	ALL.....	vacuum side—dbl. acting (AC-D-98).....	5592387 <sup>A</sup>	1	1.75
	NOTE: 5592387 consists of: diaphragm w/pull rod, 4 valve cages, 3 cage gaskets and 1 flange gasket.				
52	ALL (w/5592626).....	fuel side—sgl. acting (AC-D-127).....	5592876 <sup>A</sup>	1	1.50
	NOTE: 5592876 consists of: diaphragm w/pull rod, 2 valves, 2 valve gaskets, 1 bowl gasket, 1 oil seal, 1 seal retainer and 1 flange gasket.				
52-54	ALL (w/5592675).....	fuel side—dbl. acting (AC-D-132).....	5592922 <sup>A</sup>	1	1.50
	NOTE: 5592922 consists of: diaphragm w/pull rod, 2 valves, 2 valve gaskets, 1 bowl gasket and 1 flange gasket.				
52-54	ALL (w/5592627).....	fuel pump (AC-D-128).....	5592877 <sup>A</sup>	1	1.15
	NOTE: 5592877 consists of: diaphragm w/pull rod, 2 valves, 2 valve gaskets, 1 bowl gasket and 1 flange gasket.				

<sup>A</sup>NOTE: The prices shown are subject to the provisions of the Fair Trade Acts of those States having such laws.

**3.927 SPRING, Fuel Pump Diaphragm**

35-51	ALL.....		1522264	1	.11
-------	----------	--	---------	---	-----

**3.930 SEAL—RETAINER, Fuel and Vacuum Pump Oil**

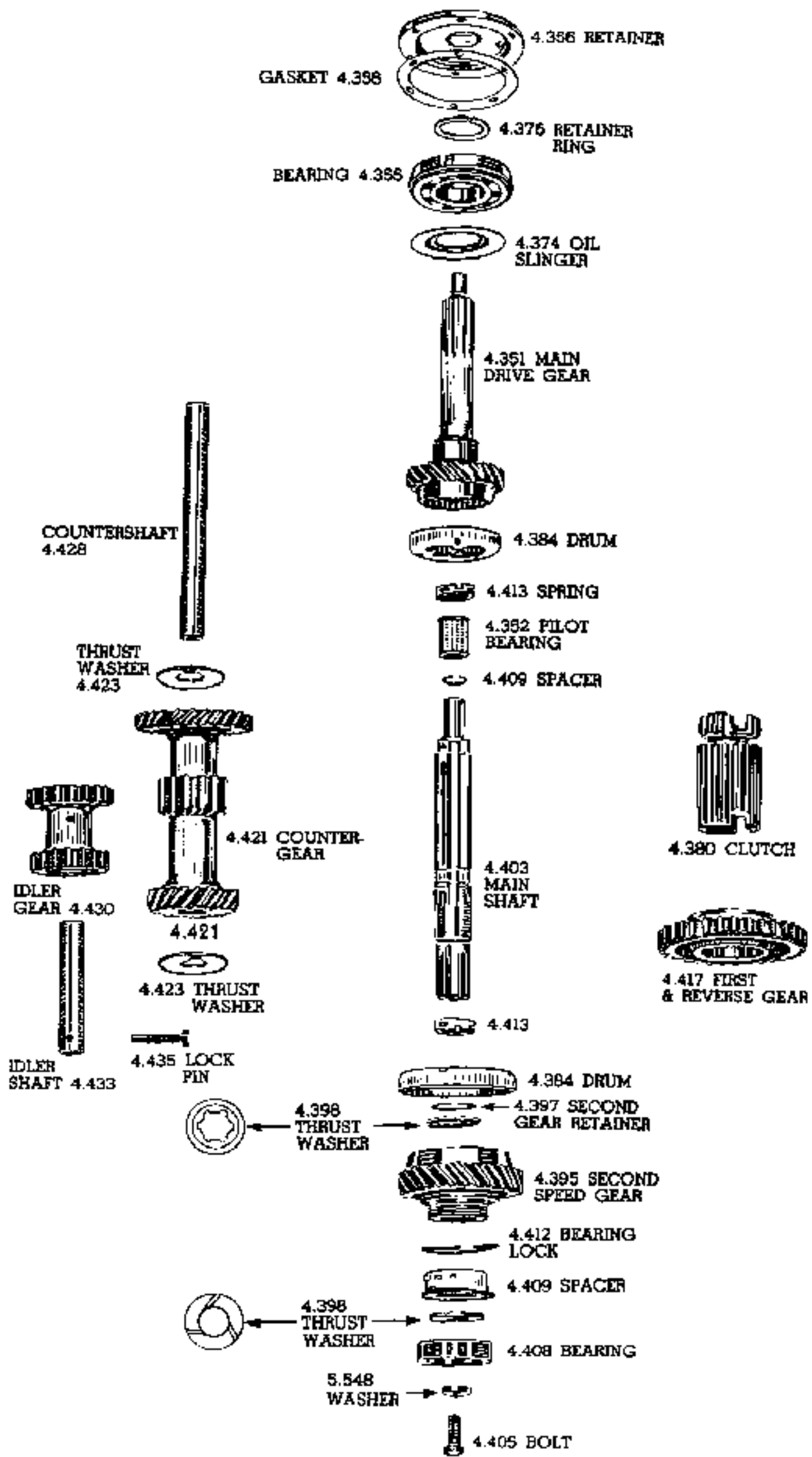
52	ALL (w/sgl. acting pump).....	SEAL, vacuum diaphragm pull rod (leather) ..	1523122	1	.76
52	ALL (w/sgl. acting pump).....	SEAL, fuel diaphragm pull rod (rubber),			
52-54	ALL (w/dbl. acting pump).....	fuel and vacuum diaphragm pull rods ..	5592331	A.R.	.22
52-54	ALL.....	RETAINER, seal (used w/5592331).....	5592332	A.R.	.11

**3.932 GASKET, Fuel Pump to Cylinder Case**

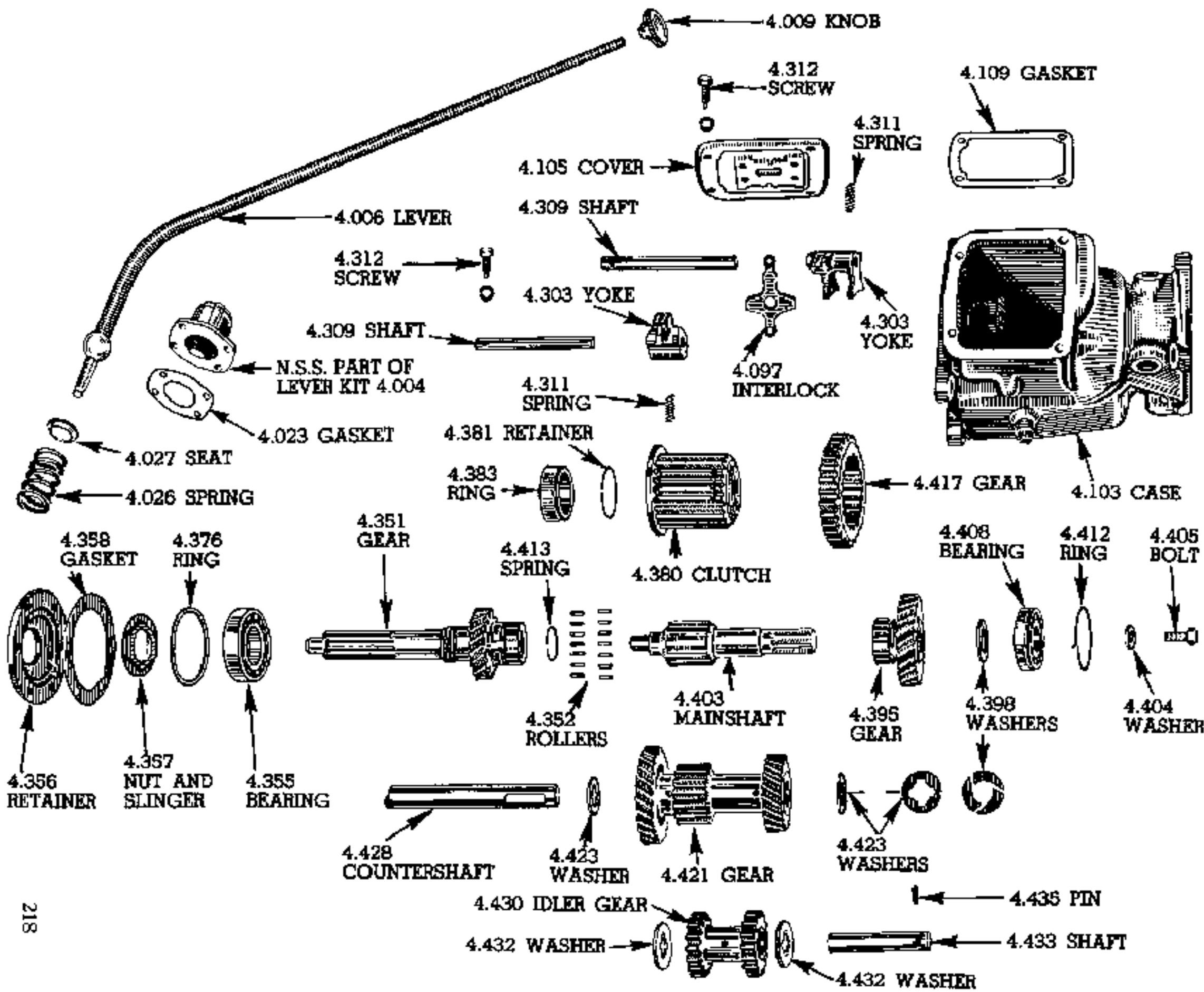
29-33	ALL.....	(has 3 attach. holes—one slot).....	835683	1	.03
34-36	ALL.....	(has 2 attach. holes—two slots).....	837526	1	.03
37-54	ALL.....	(has 2 attach. holes—one large slot).....	838263	1	.03
52-54	ALL (w/dbl. acting pump).....	(2 attach. holes—one small slot).....	3701796	1	.01

**~ BLANK PAGE ~**

**~ BLANK PAGE ~**

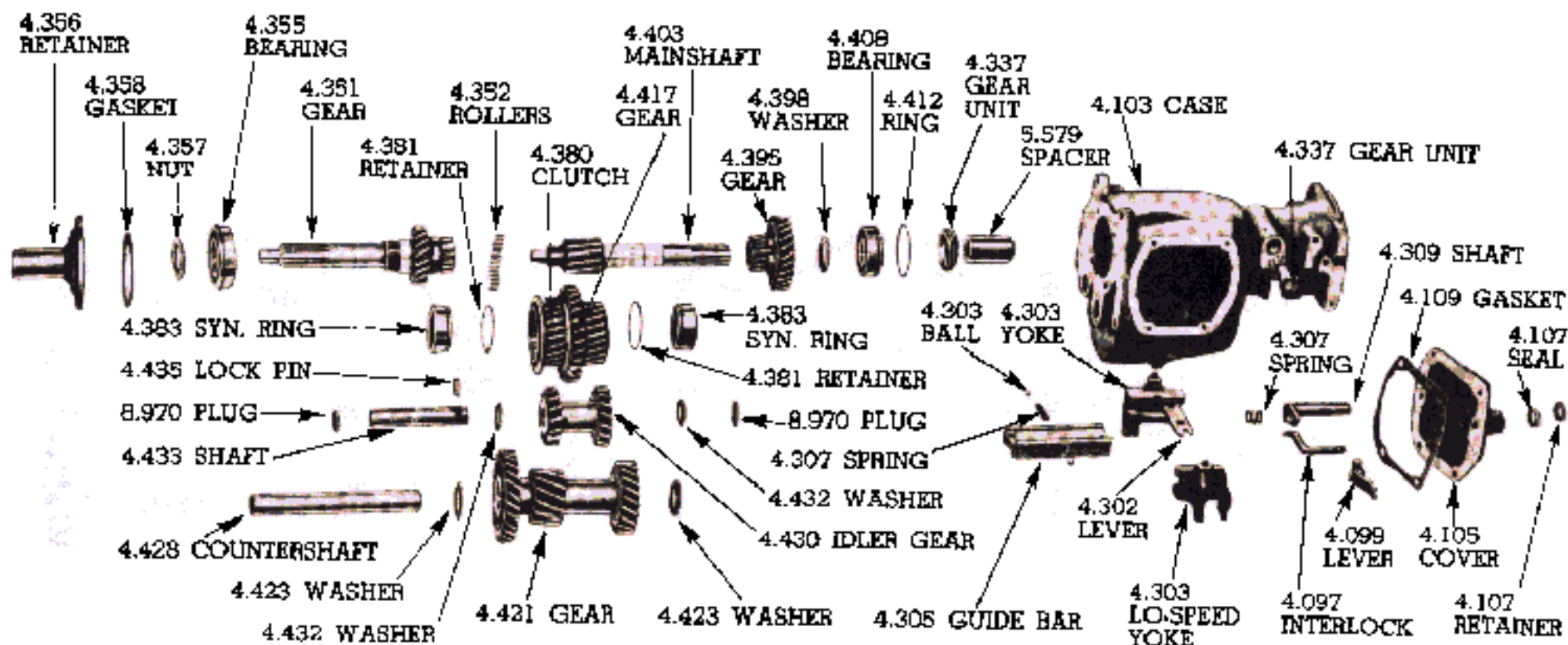


**1932-36 SYNCHRO-MESH TRANSMISSION**

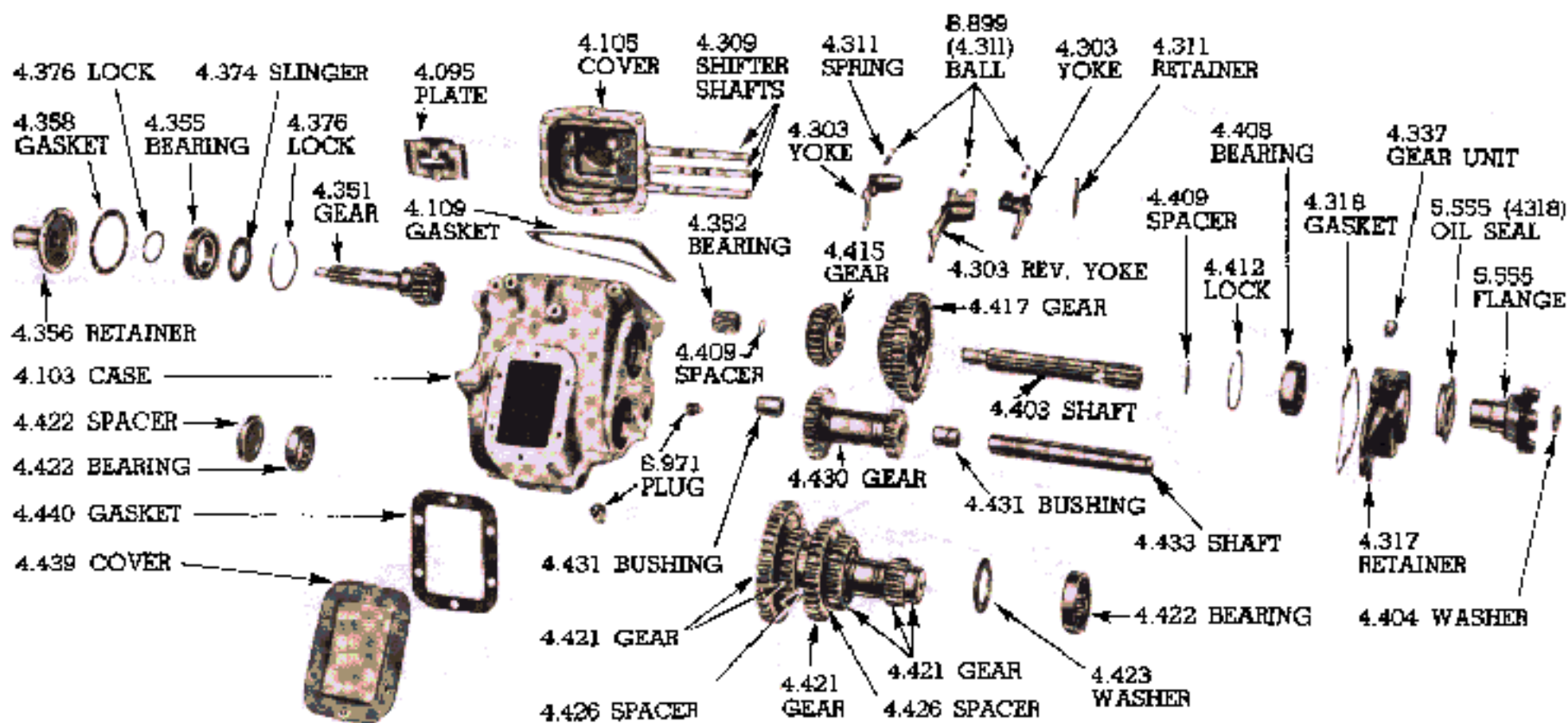


1937-47 SYNCHRO-MESH TRANSMISSION (CENTER GEARSHIFT)

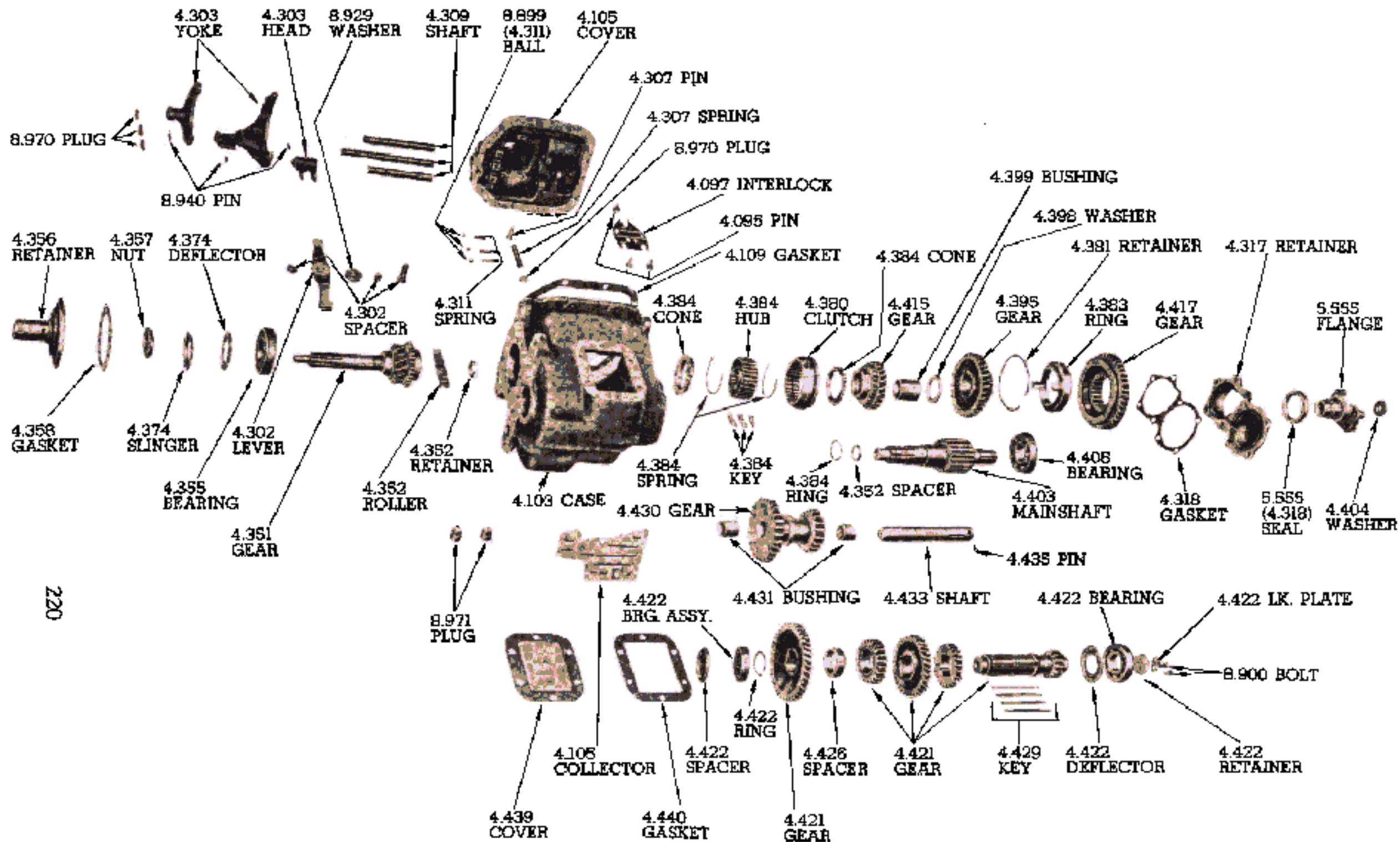




### 1939-48 PASS. SYNCHRO-MESH TRANSMISSION (STEERING COLUMN GEARSHIFT)

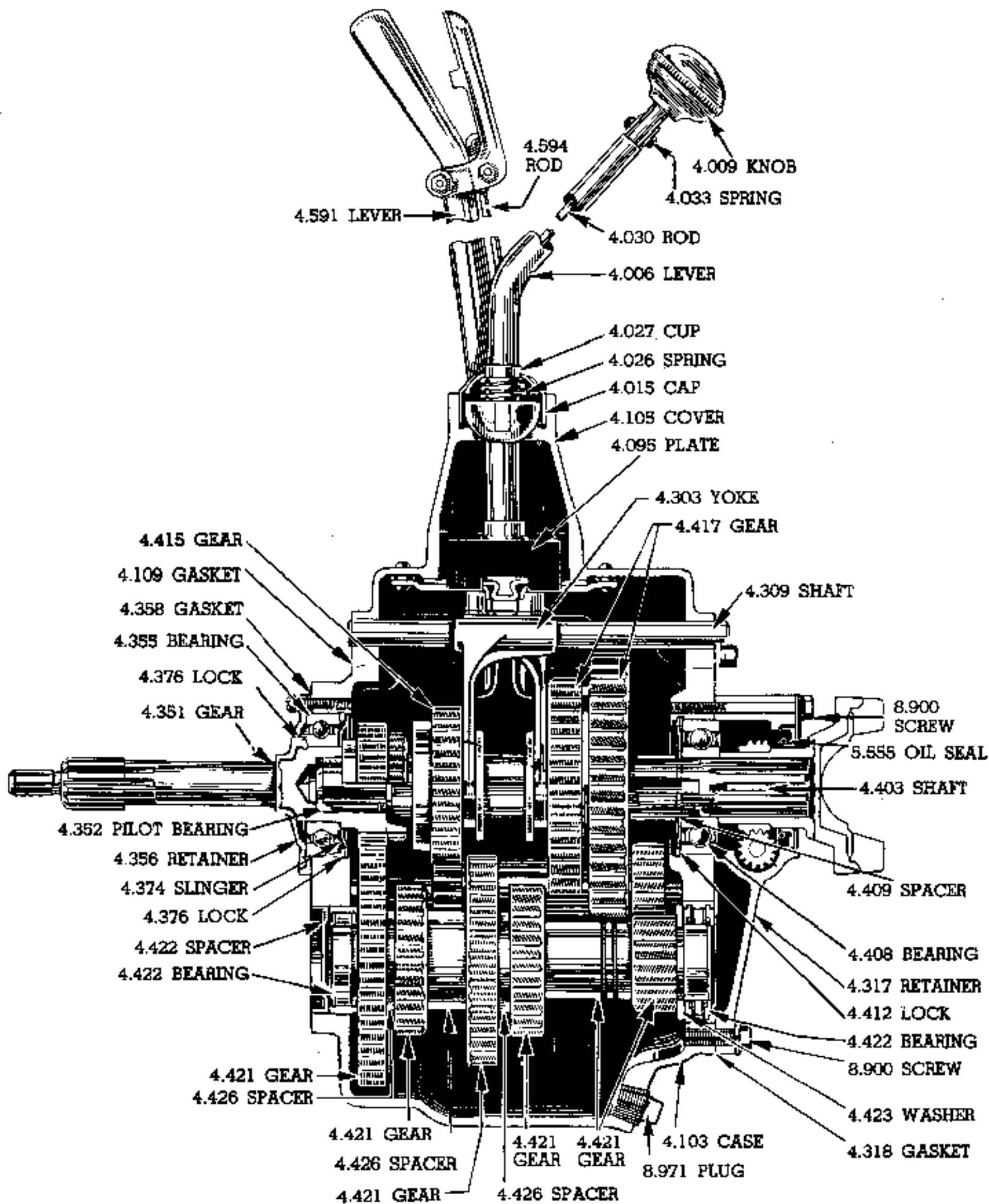


### FOUR SPEED TRANSMISSION—EXPLODED VIEW

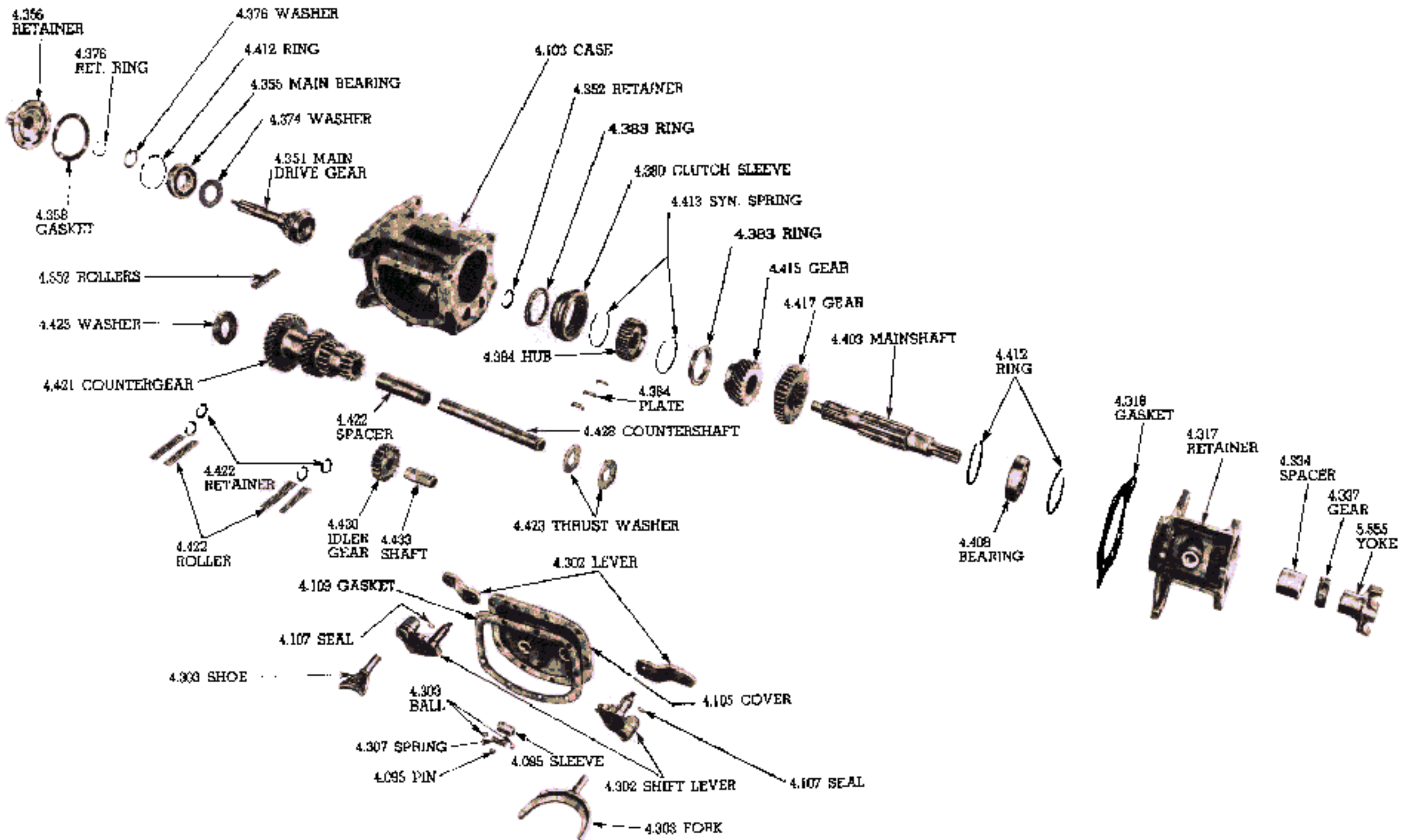


220

**1948-54 FOUR SPEED SYNCHRO-MESH TRANSMISSION**

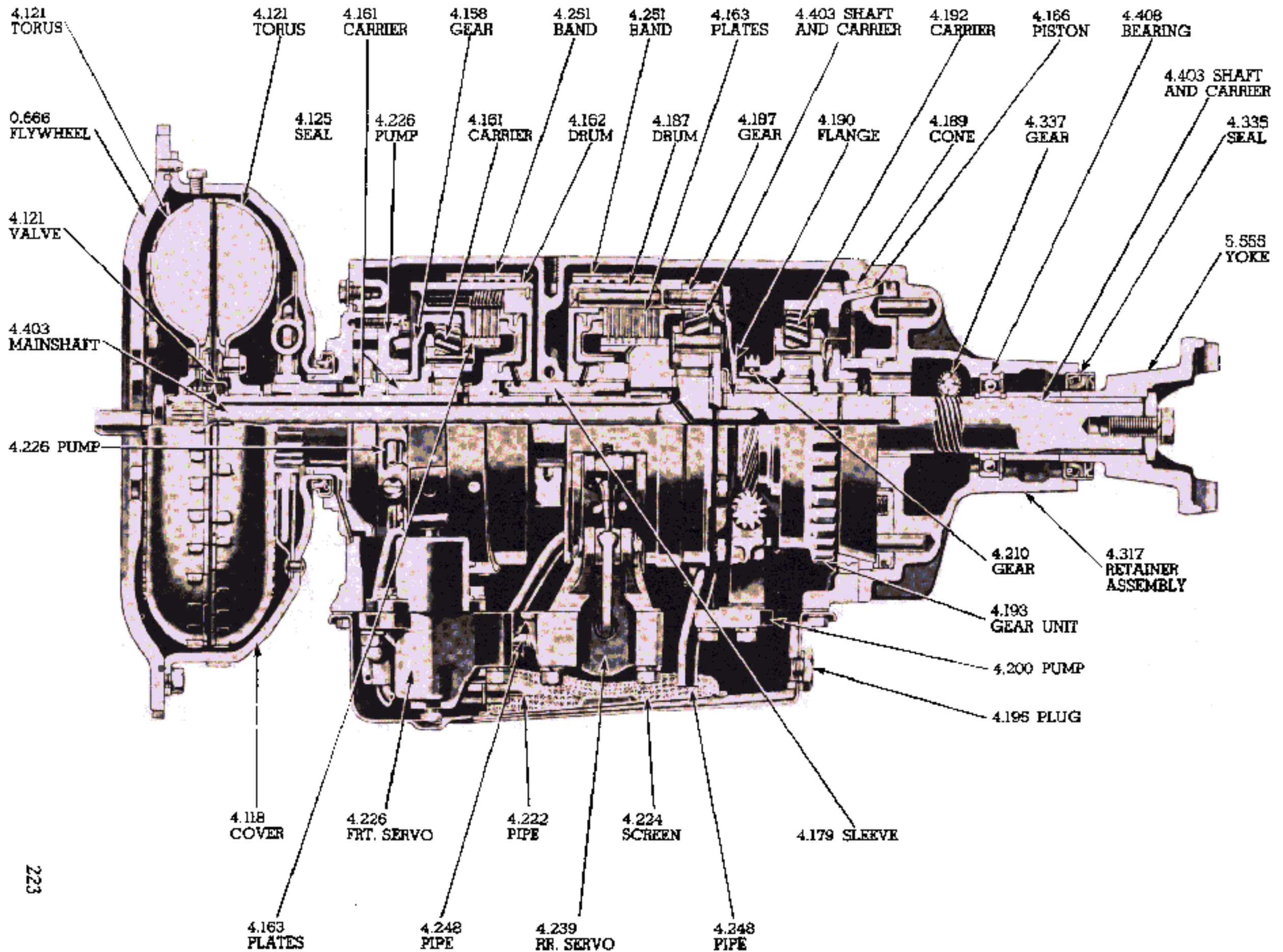


**FOUR SPEED TRANSMISSION—CROSS SECTION**

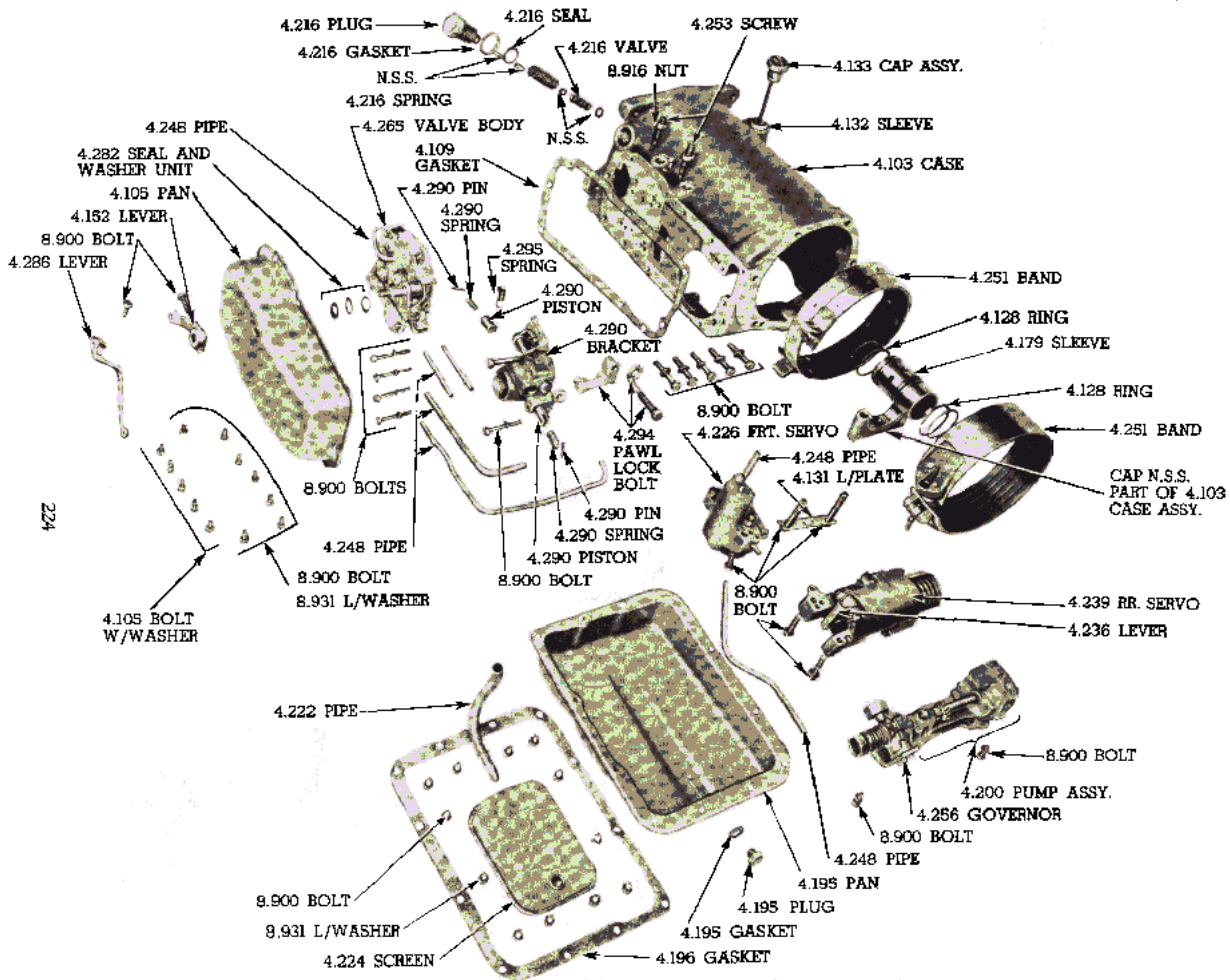


**TRUCK HEAVY DUTY THREE SPEED TRANSMISSION**





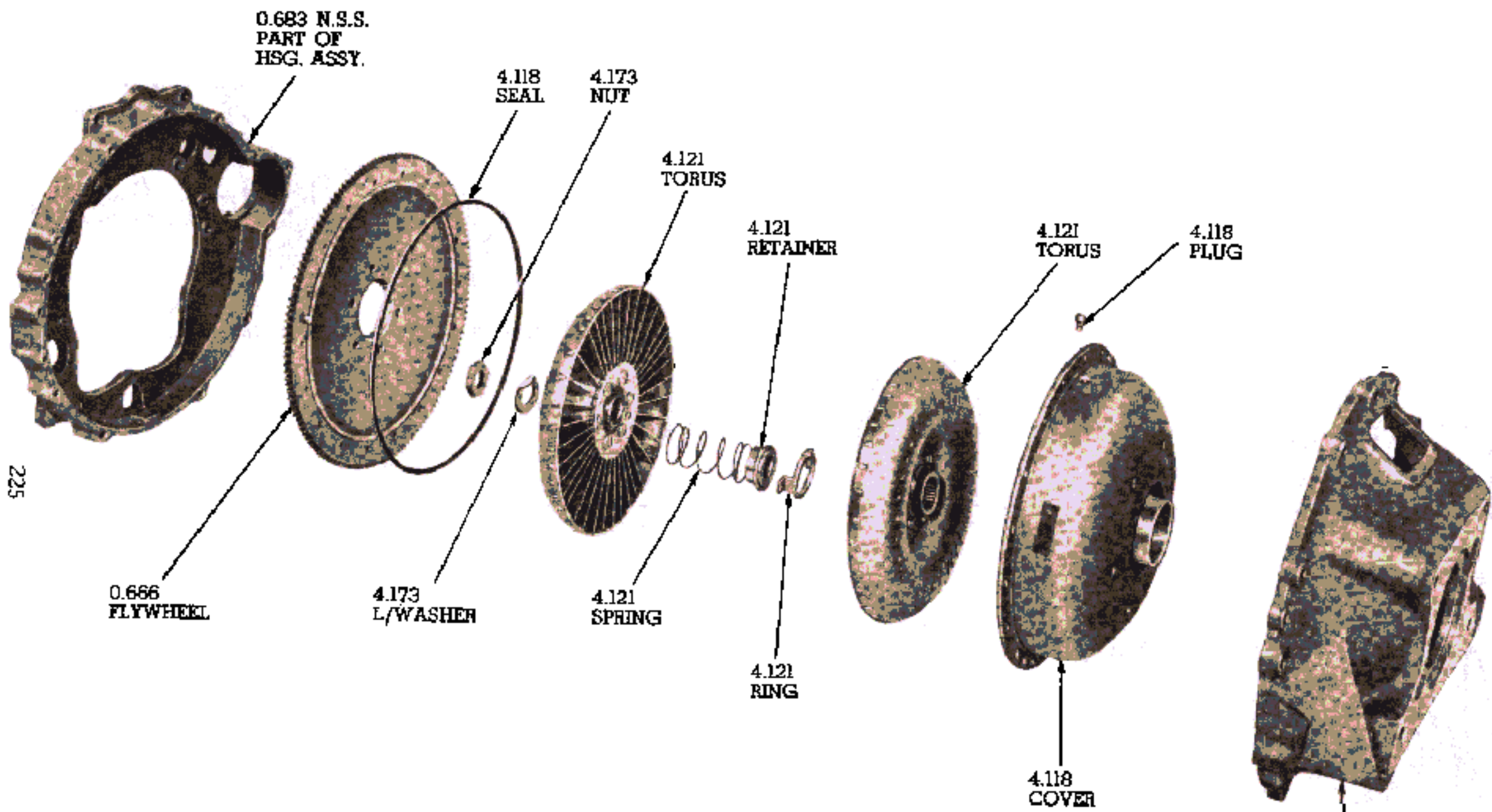
**TRUCK AUTOMATIC TRANSMISSION—CROSS SECTION**



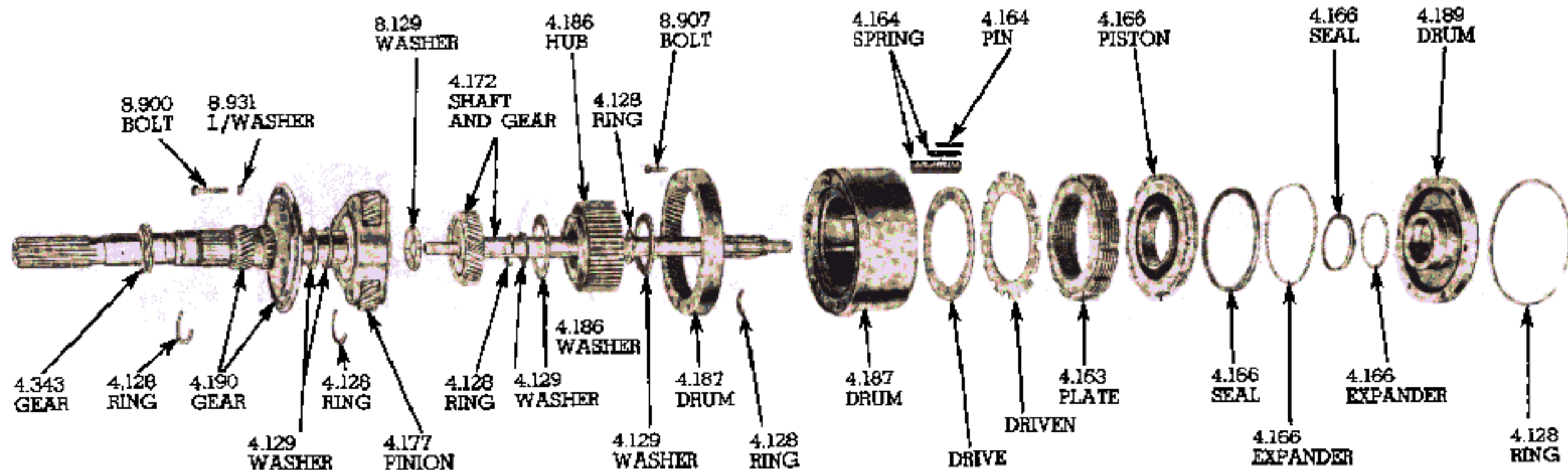
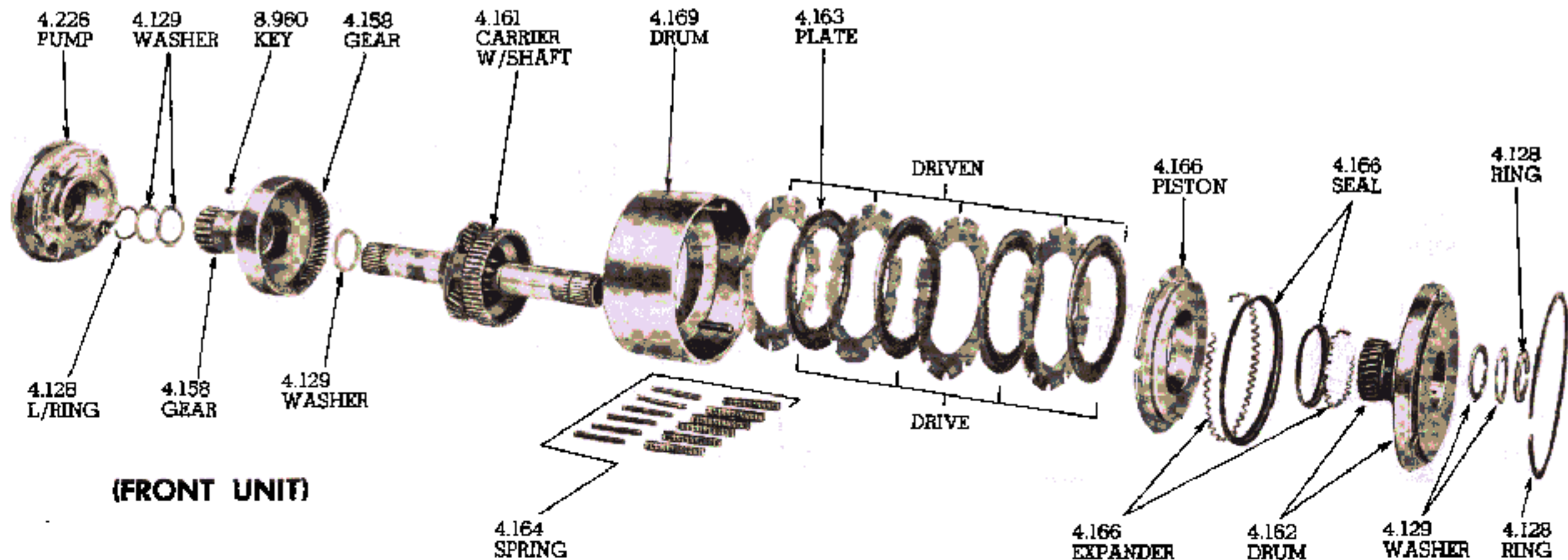
224

**TRUCK AUTOMATIC TRANSMISSION ASSEMBLY—EXPLODED**



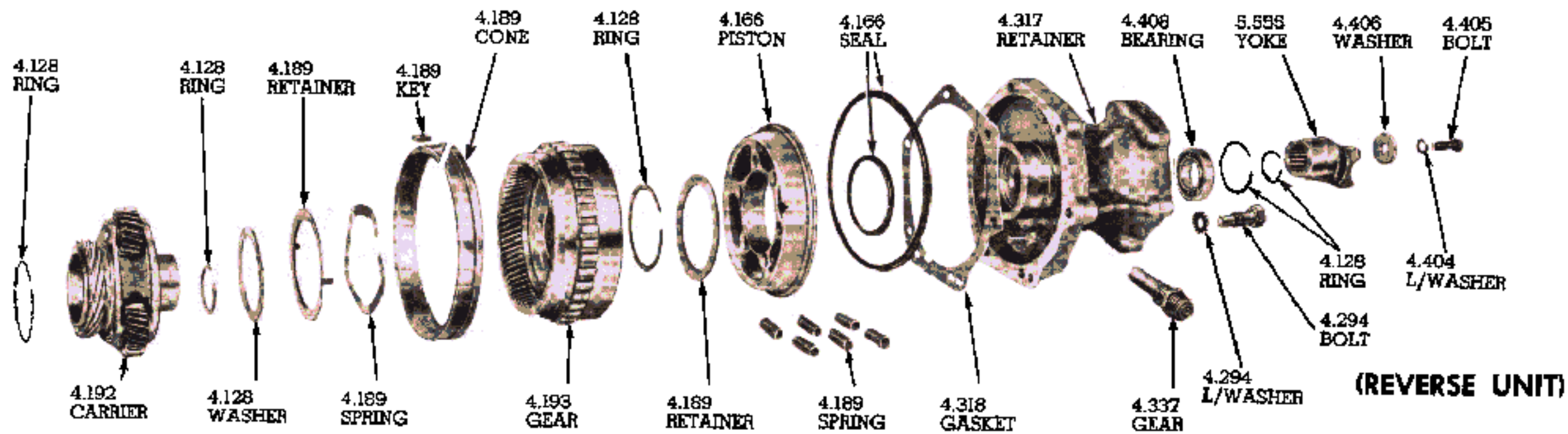


**TRUCK AUTOMATIC TRANSMISSION—FLYWHEEL AND FLUID COUPLING**



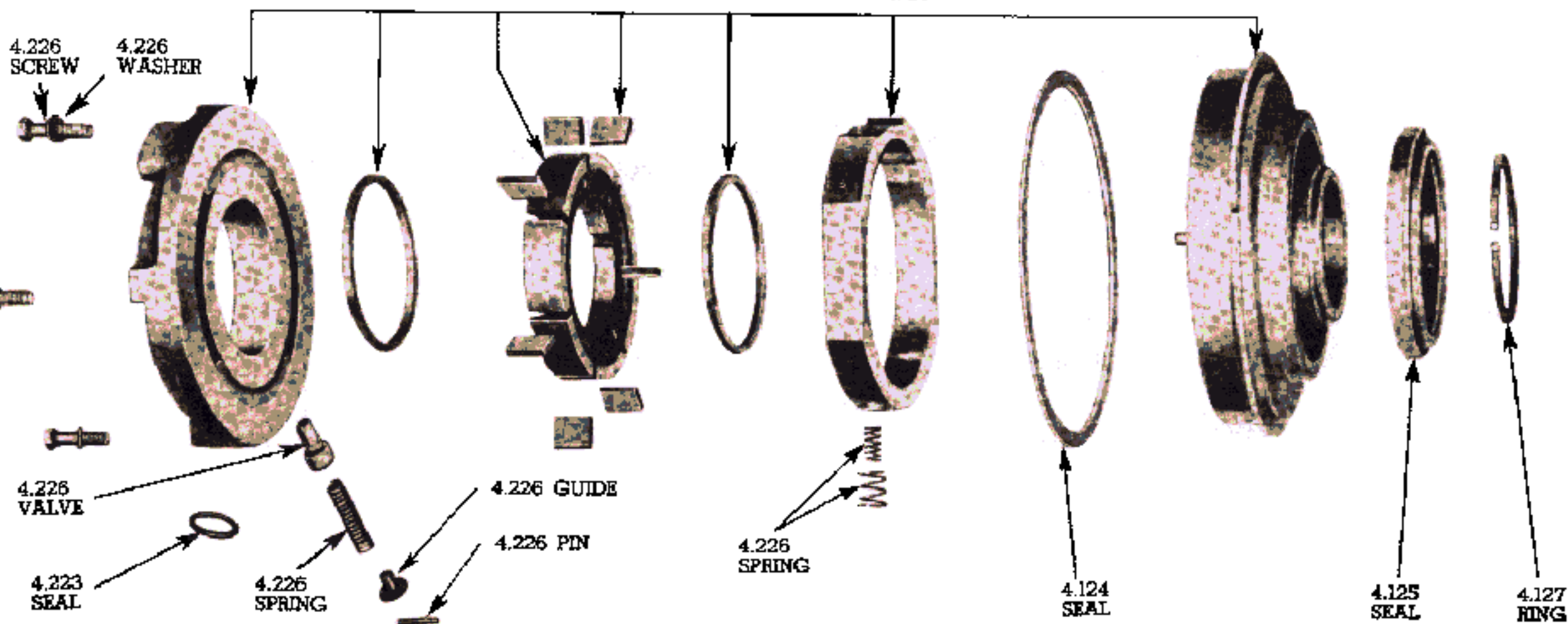
**TRUCK AUTOMATIC TRANSMISSION (REAR UNIT)**



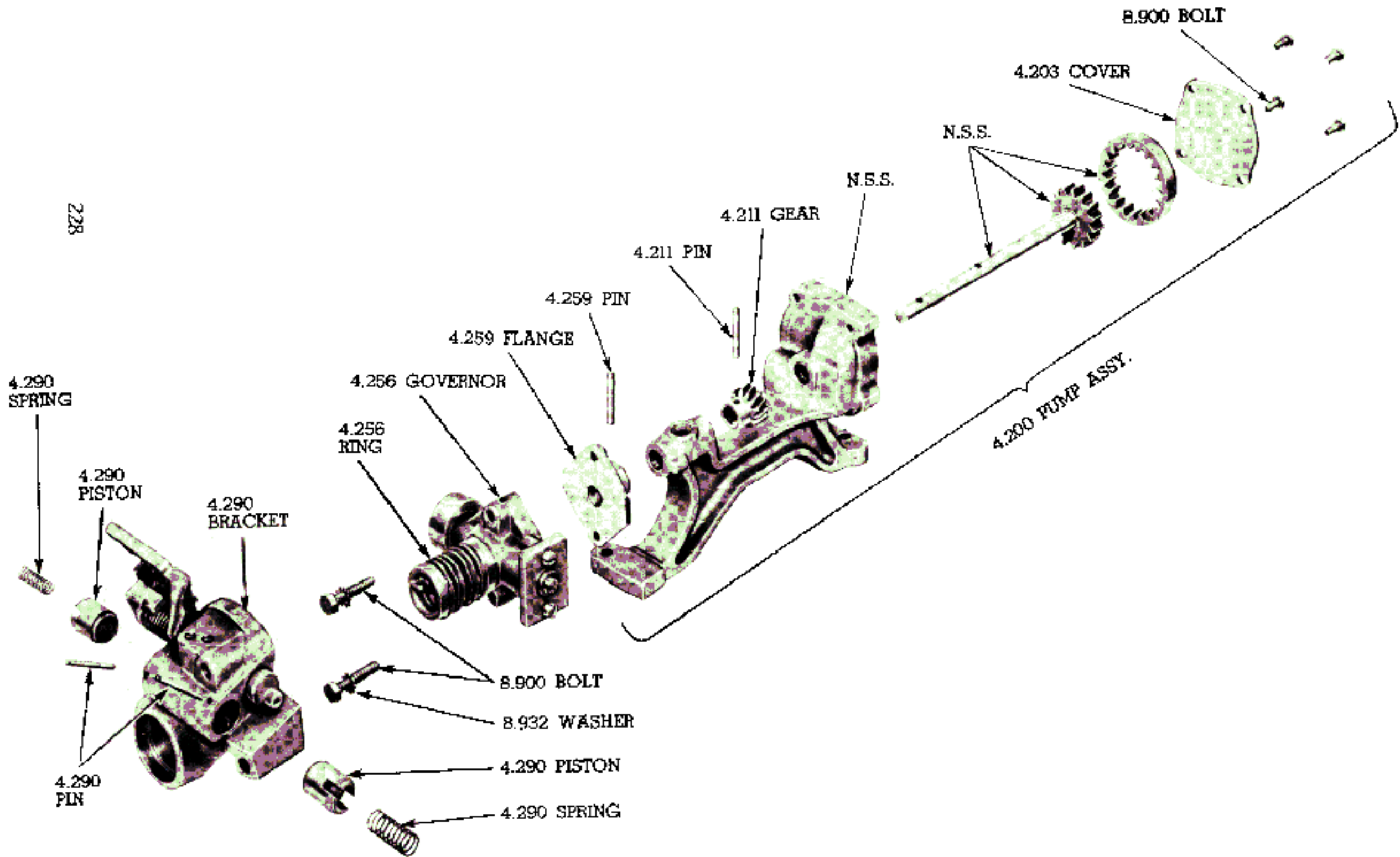


SERVICED ONLY IN PUMP ASSY. 4.226

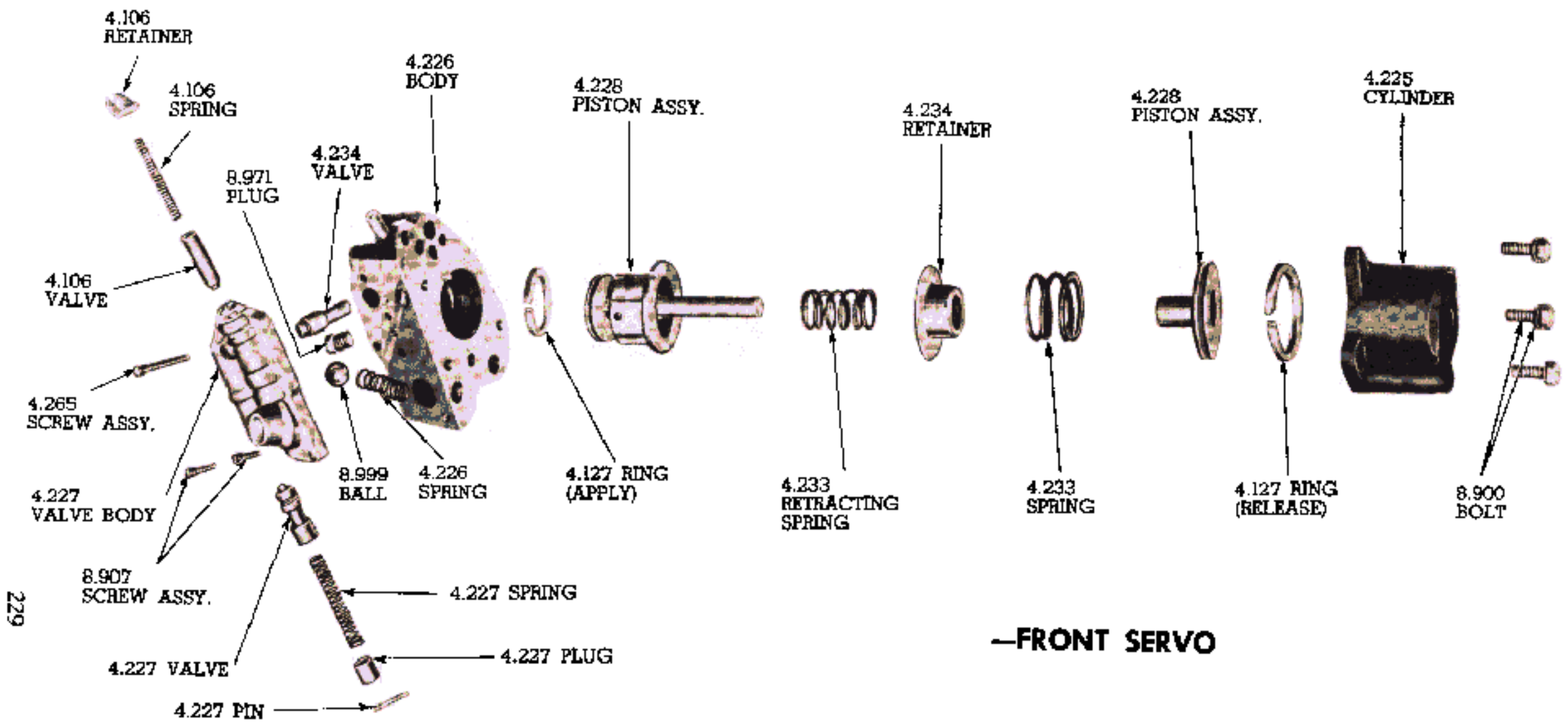
227



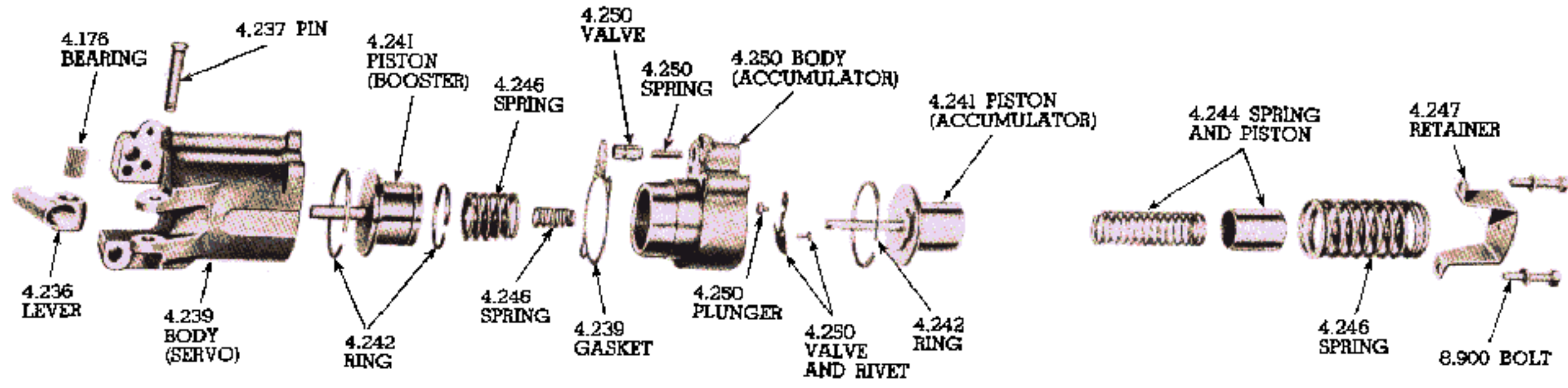
**TRUCK AUTOMATIC TRANSMISSION (FRONT OIL PUMP)**



**TRUCK AUTOMATIC TRANSMISSION—GOVERNOR AND REAR OIL PUMP**

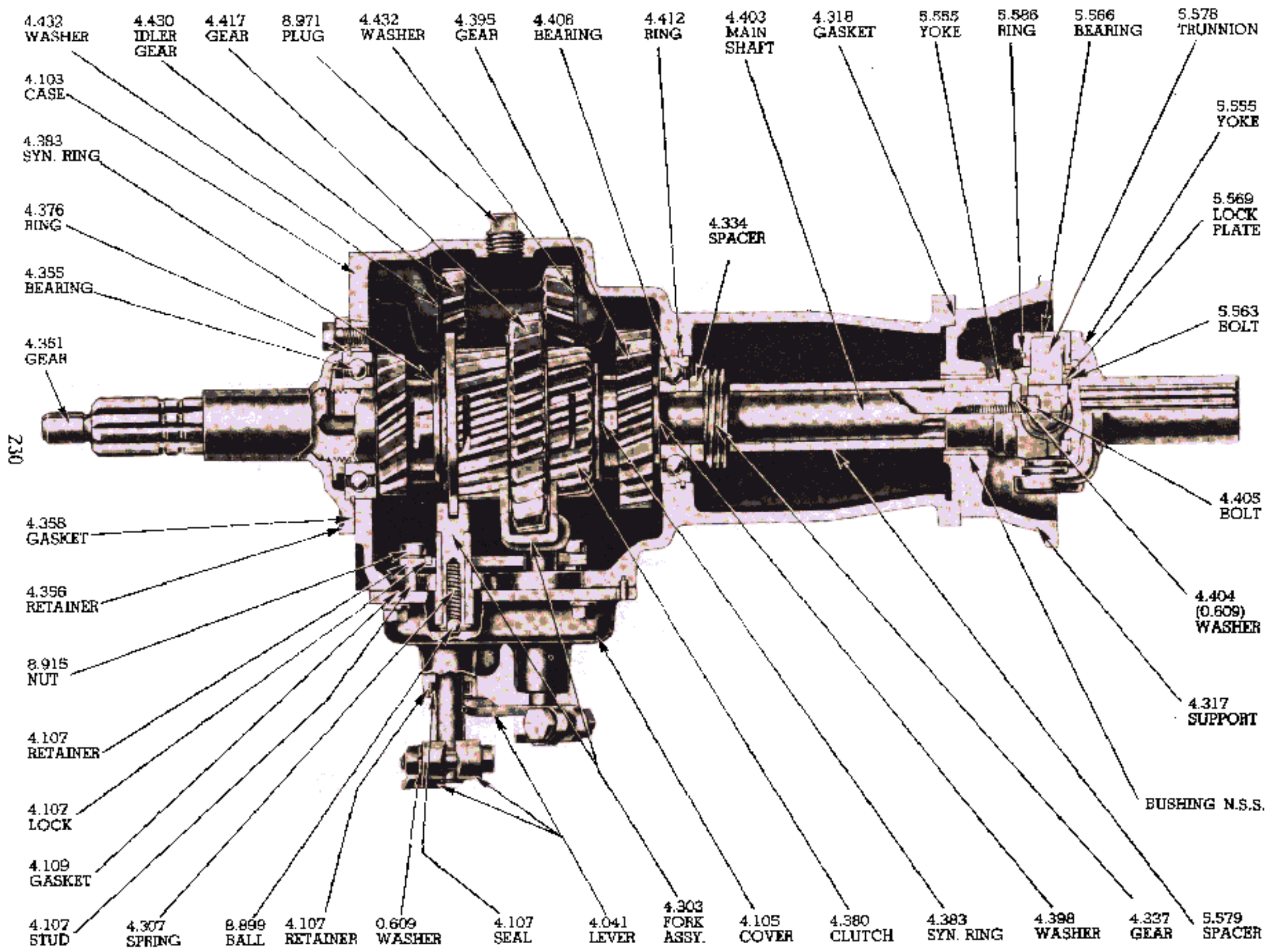


—FRONT SERVO



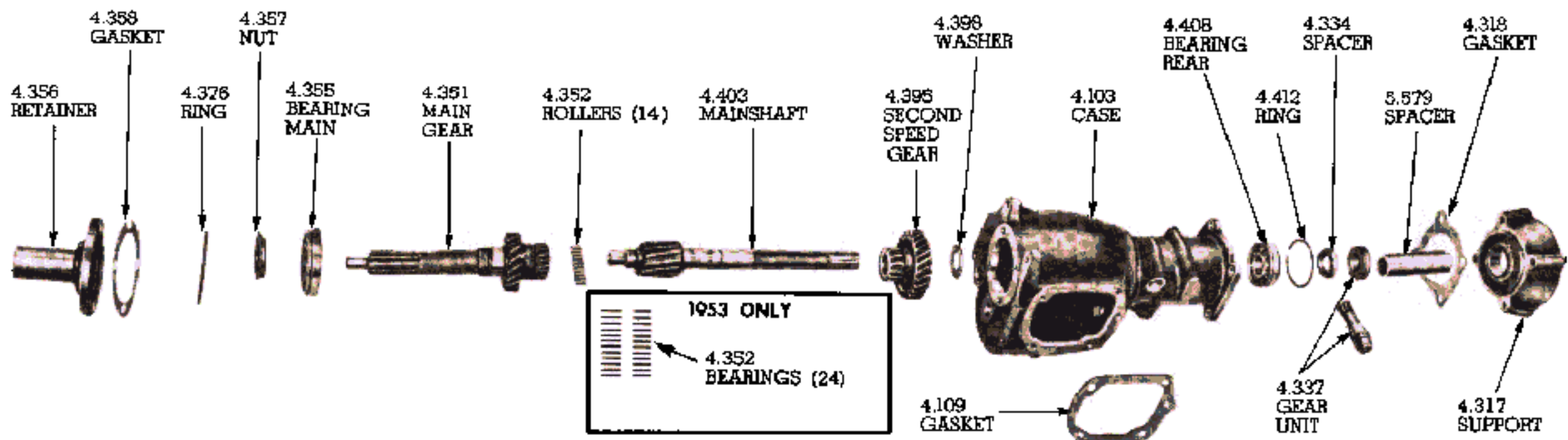
TRUCK AUTOMATIC TRANSMISSION—REAR SERVO



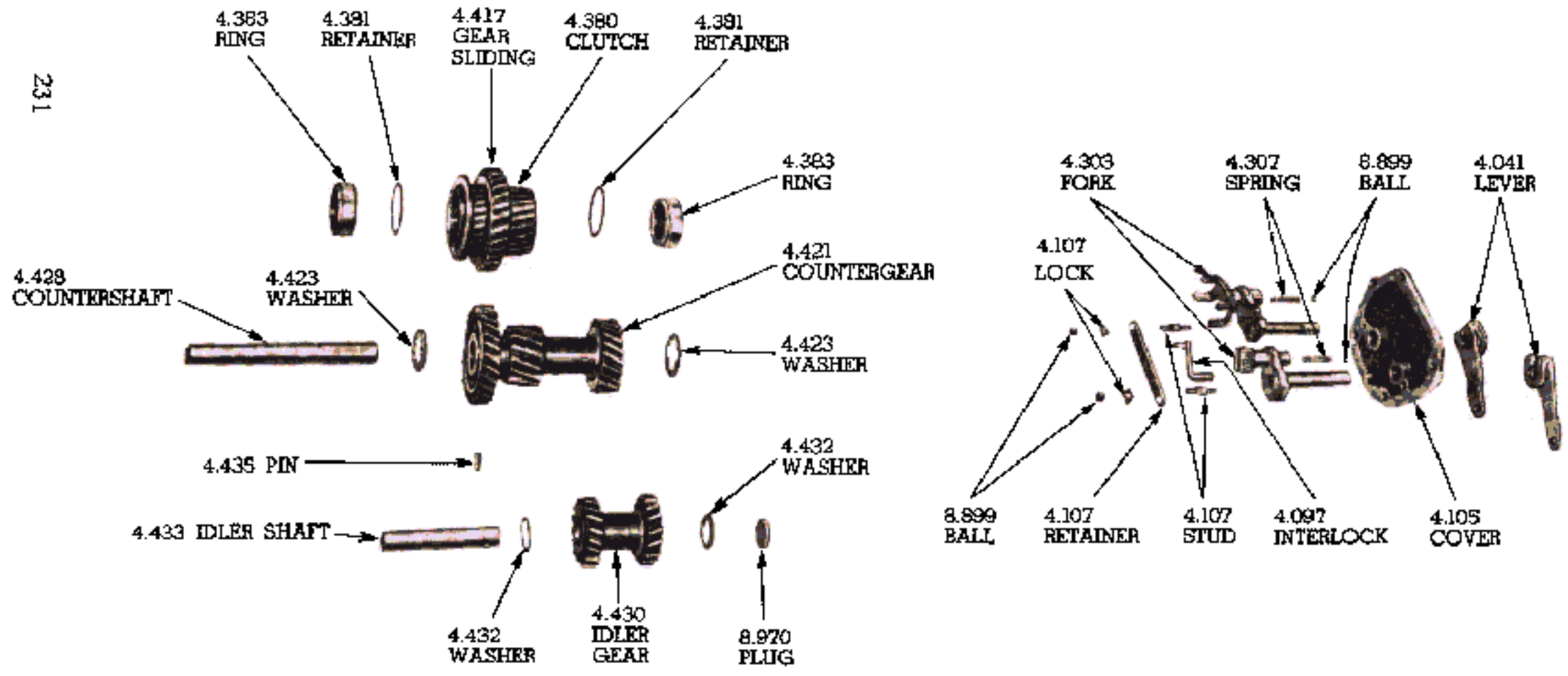


**1949-54 PASSENGER TRANSMISSION—CROSS SECTION**

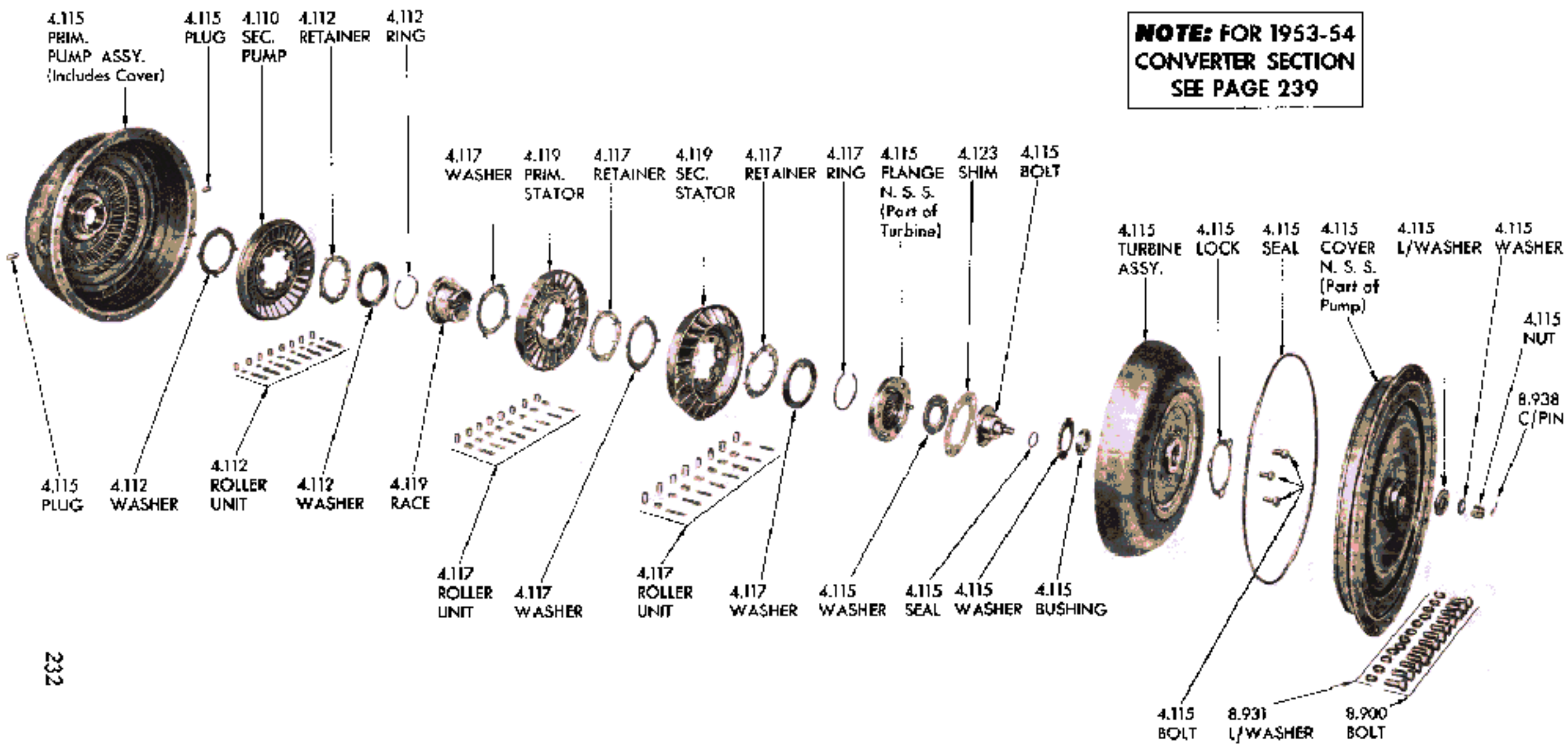




231

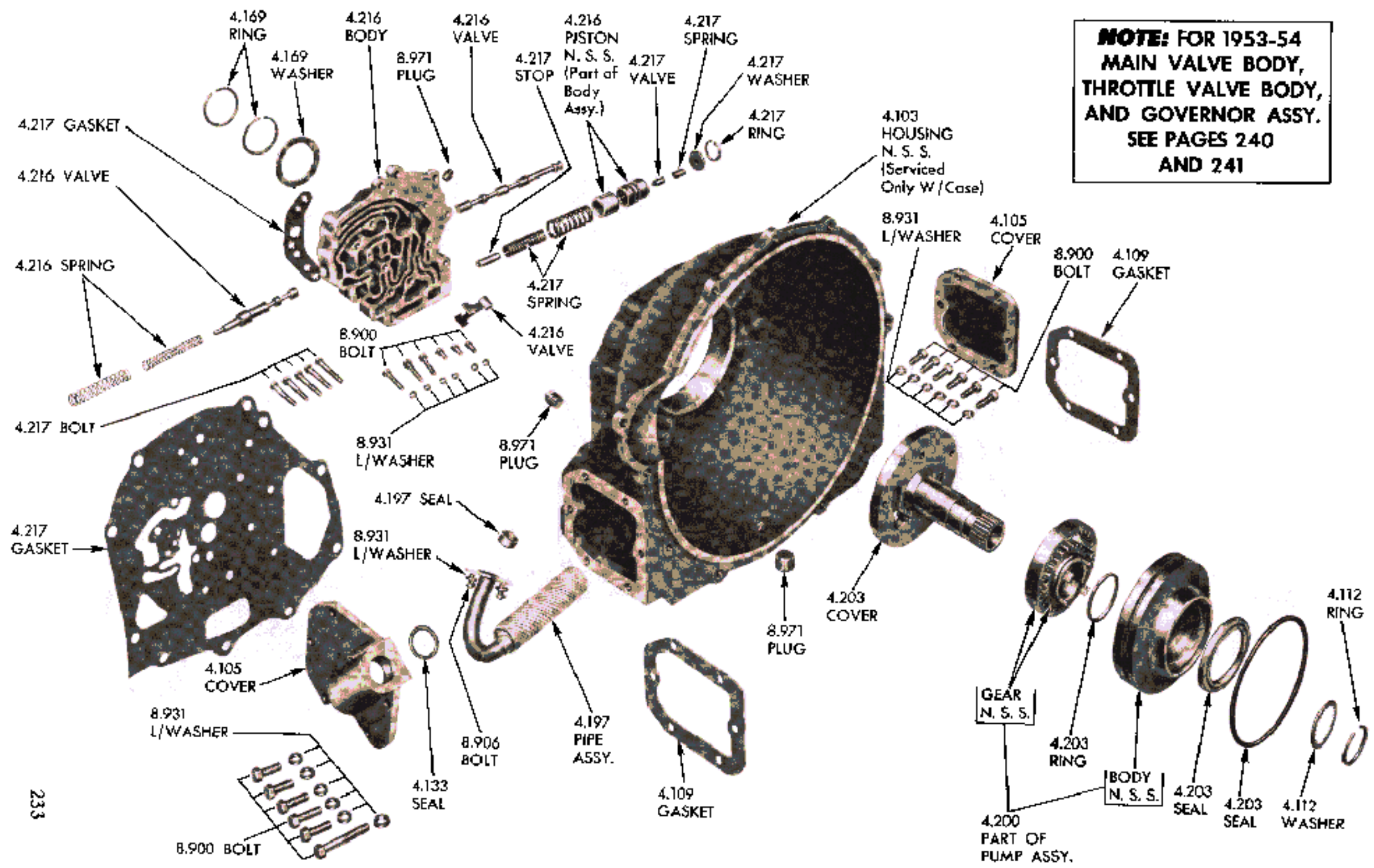


**1949-54 PASSENGER TRANSMISSION—EXPLODED**



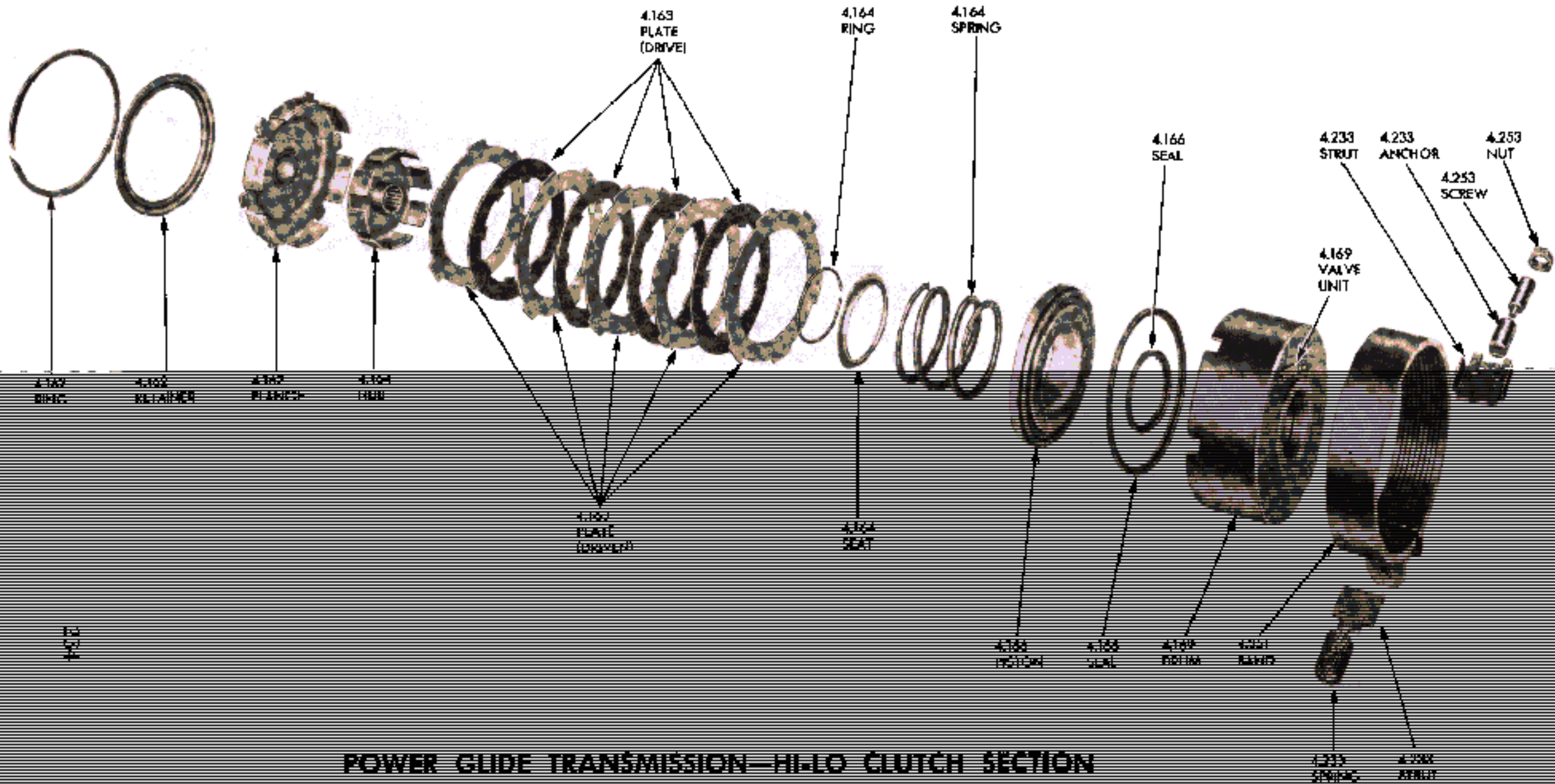
**1950-52 POWER GLIDE TRANSMISSION—CONVERTER SECTION**

**NOTE: FOR 1953-54  
MAIN VALVE BODY,  
THROTTLE VALVE BODY,  
AND GOVERNOR ASSY.  
SEE PAGES 240  
AND 241**



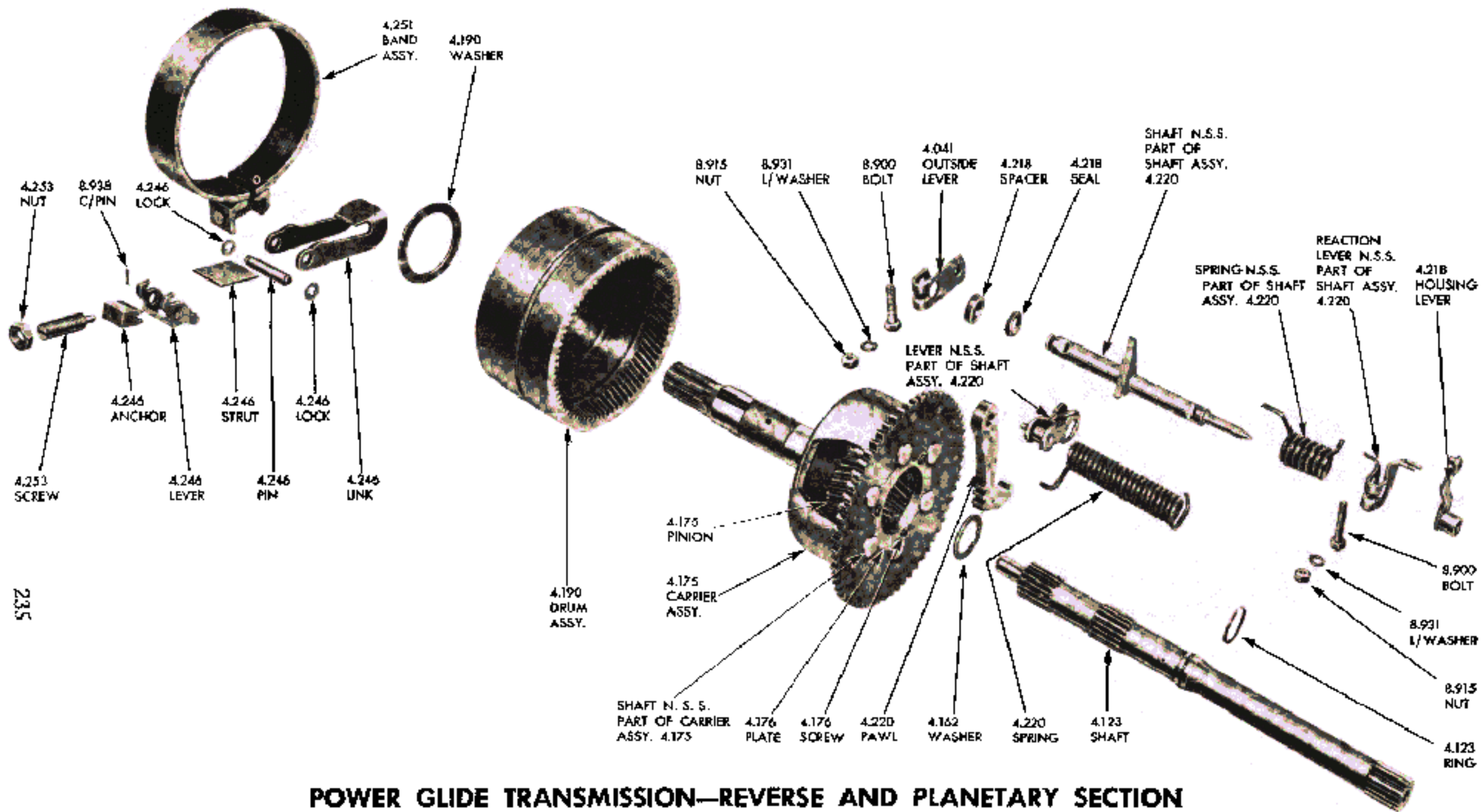
**POWER GLIDE TRANSMISSION—HOUSING SECTION**



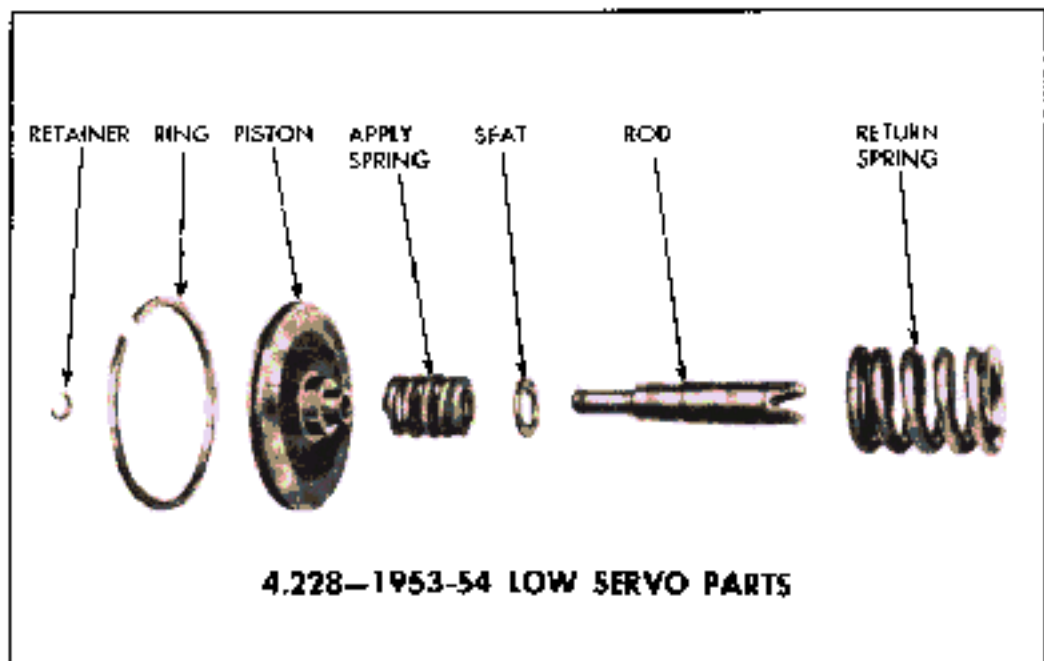


**POWER GLIDE TRANSMISSION—HI-LO CLUTCH SECTION**



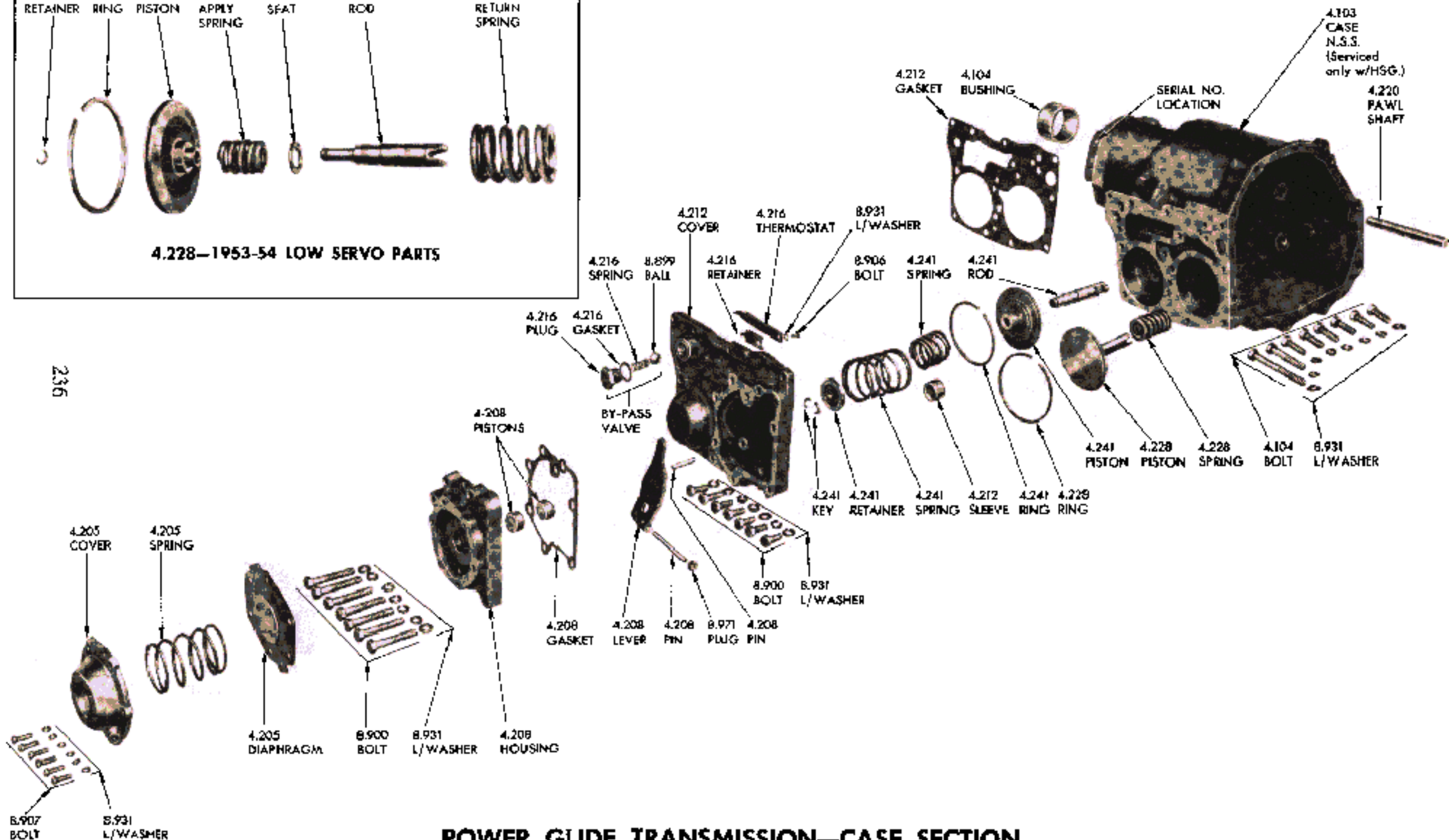


**POWER GLIDE TRANSMISSION—REVERSE AND PLANETARY SECTION**

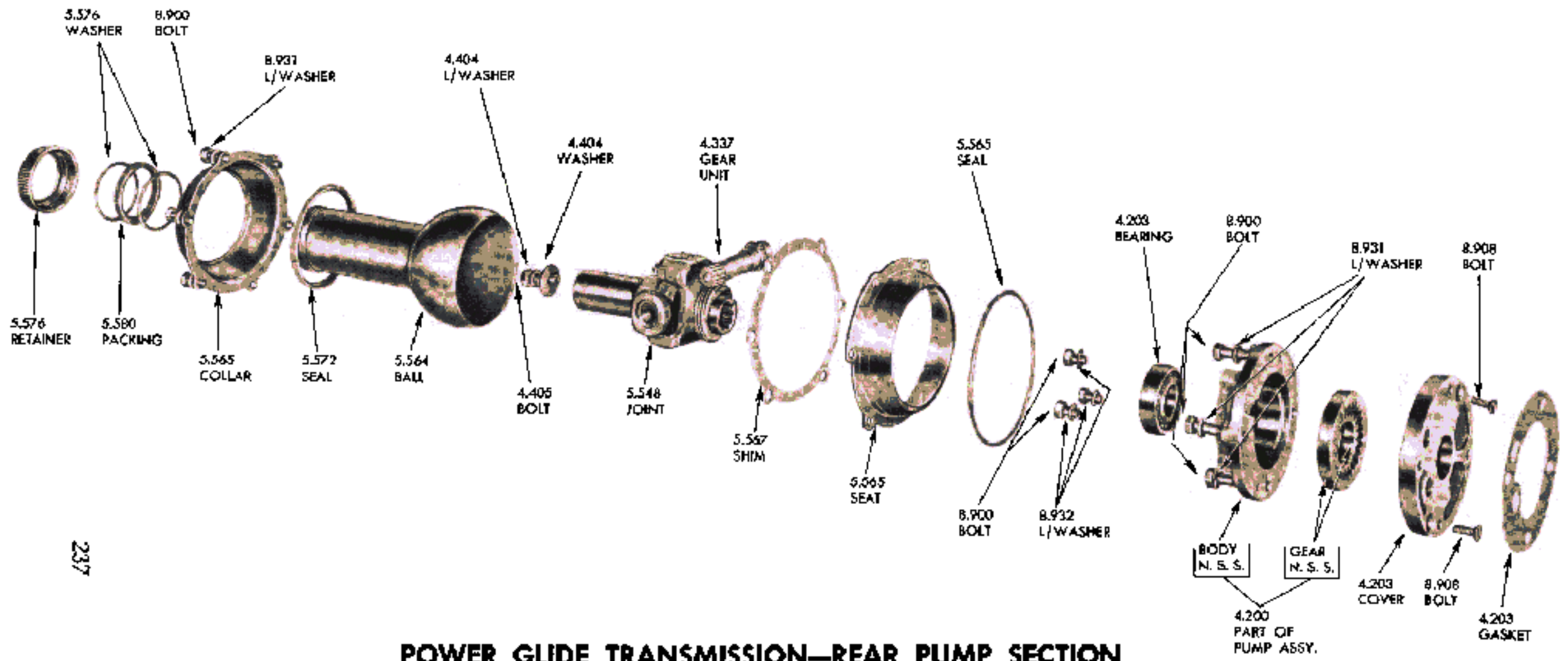


4.228-1953-54 LOW SERVO PARTS

236



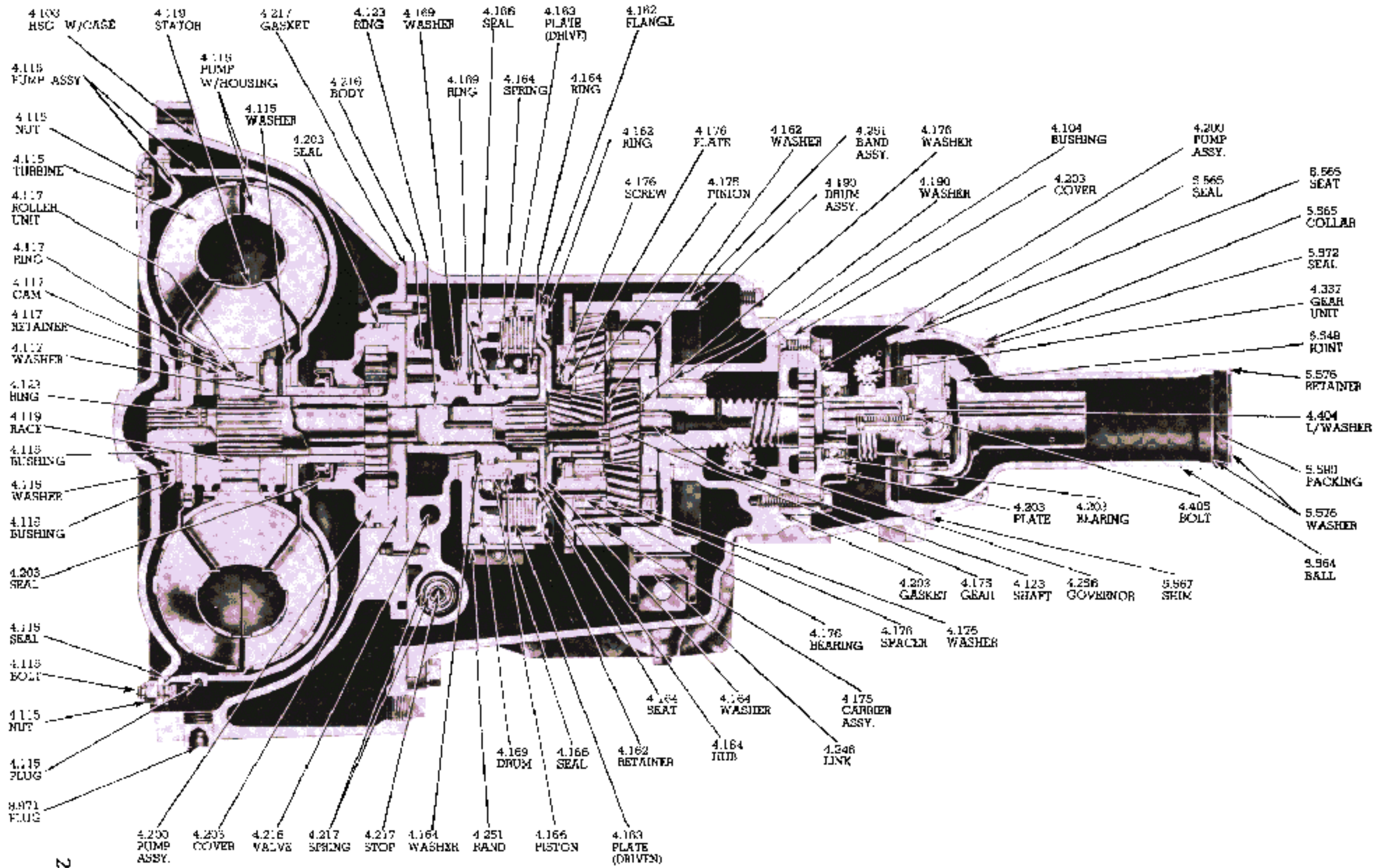
POWER GLIDE TRANSMISSION—CASE SECTION



237

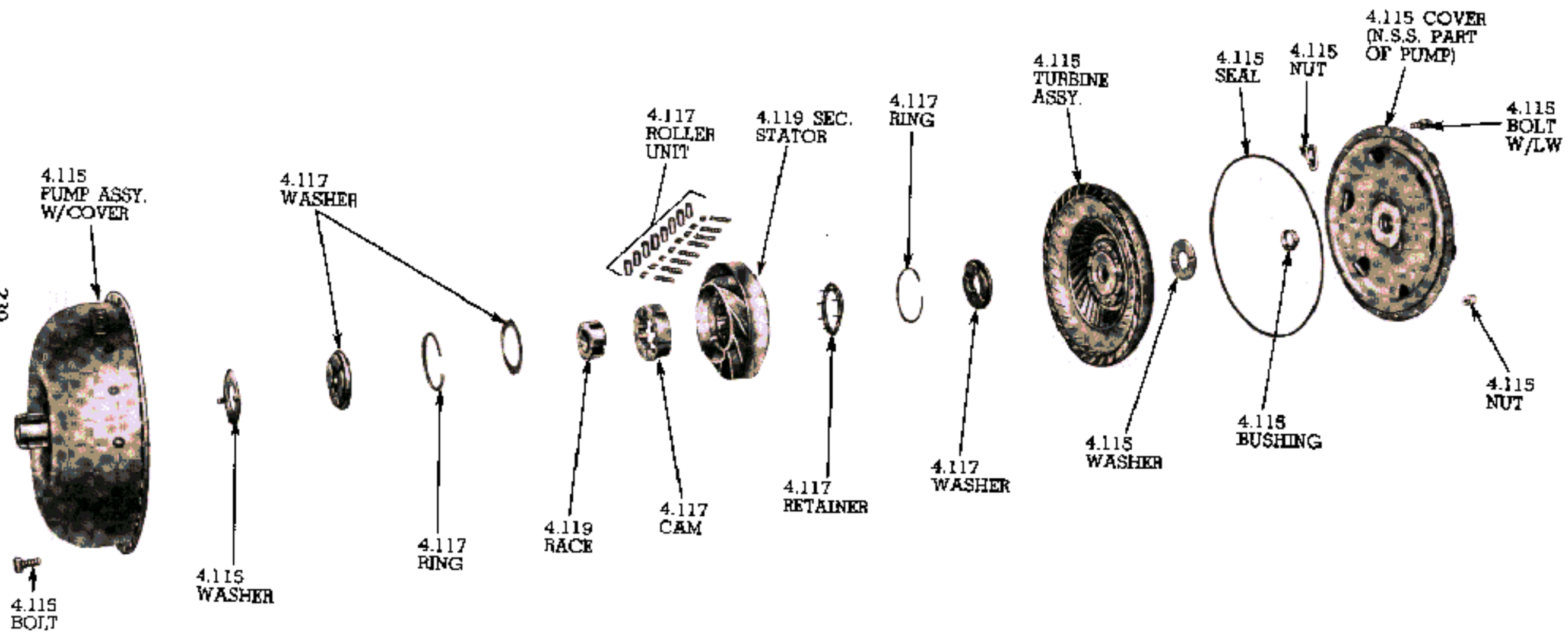
**POWER GLIDE TRANSMISSION—REAR PUMP SECTION**



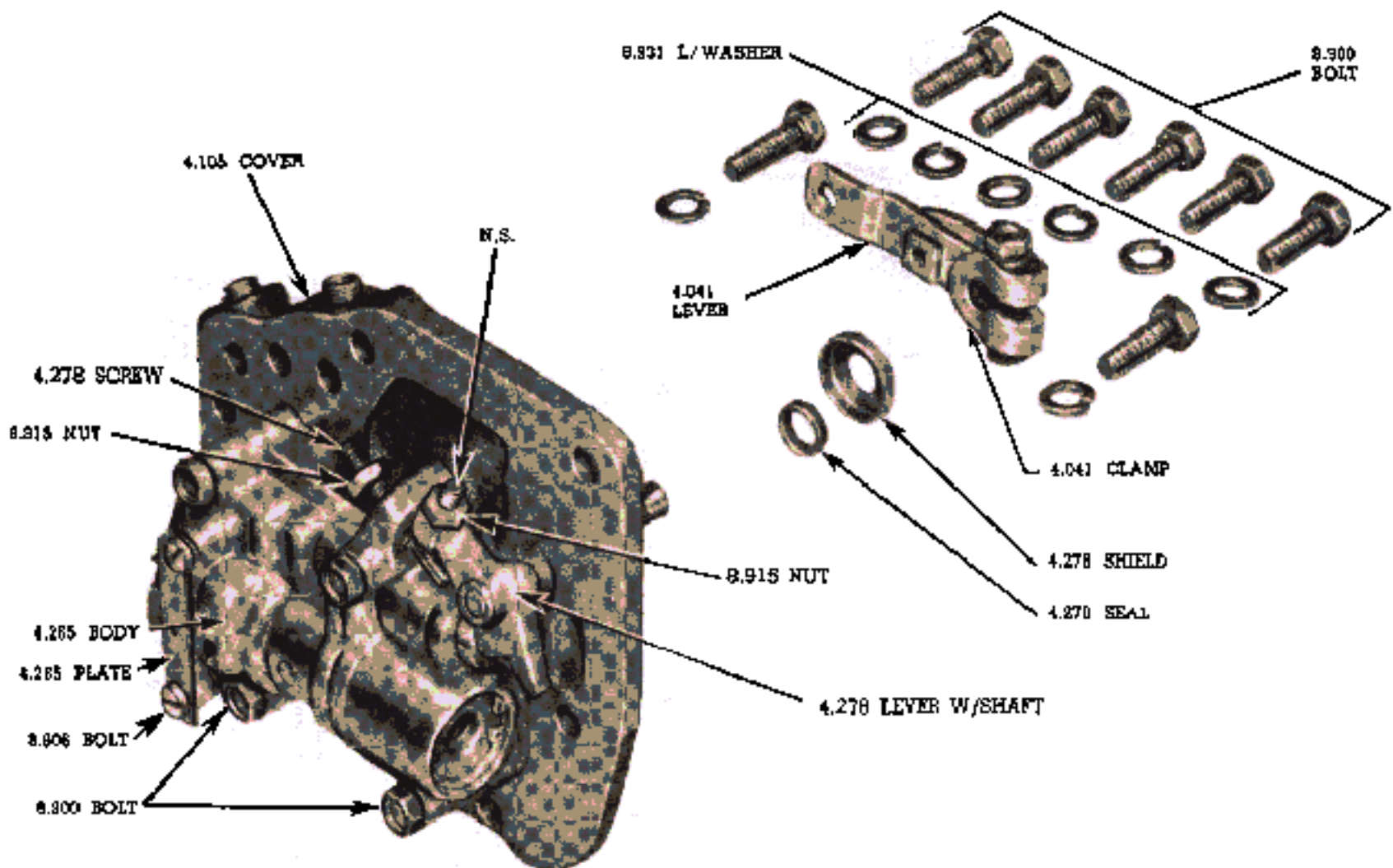


1953-54 POWER GLIDE TRANSMISSION—CROSS SECTION

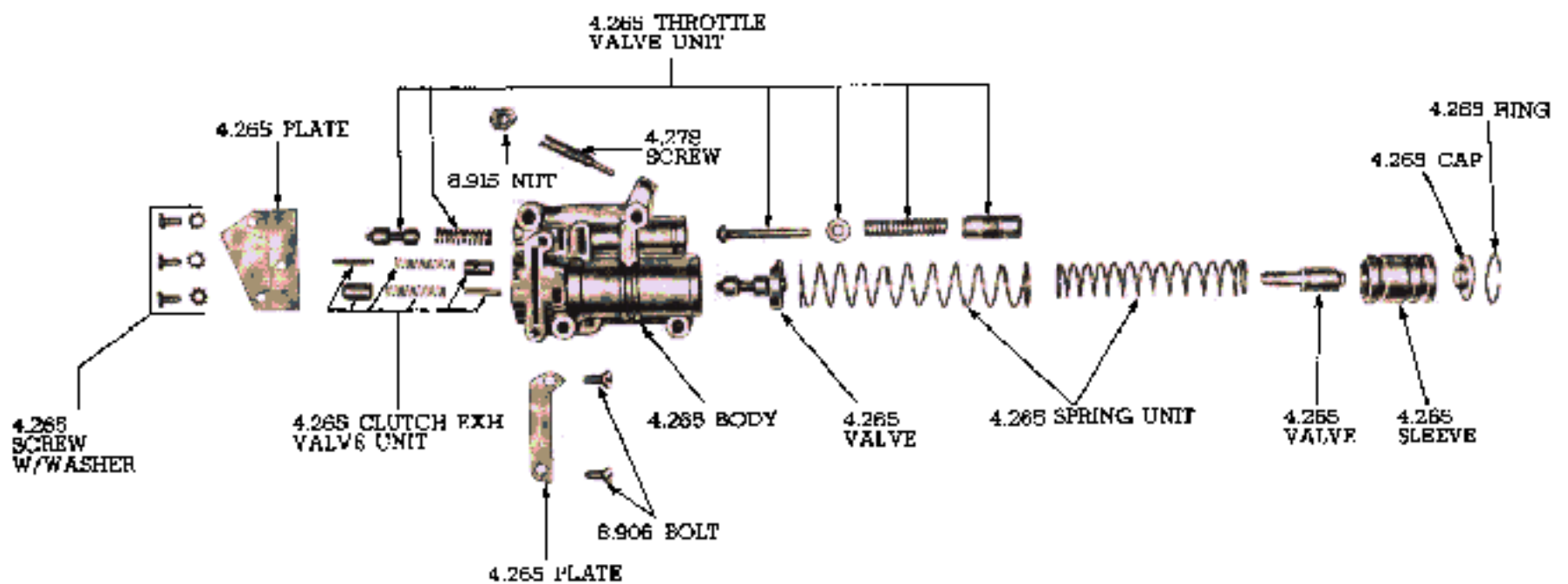




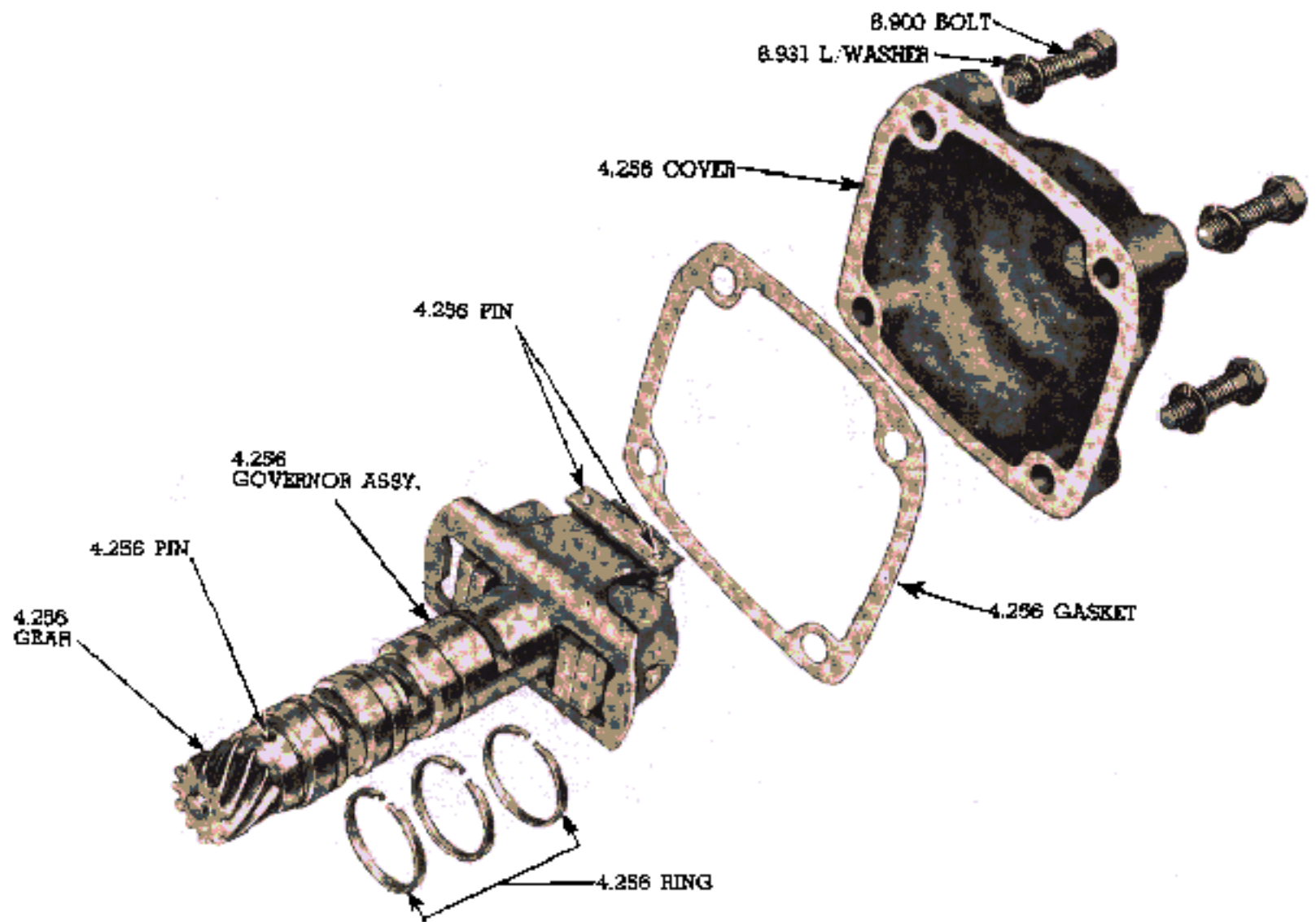
1953-54 POWER GLIDE TRANSMISSION—CONVERTER SECTION



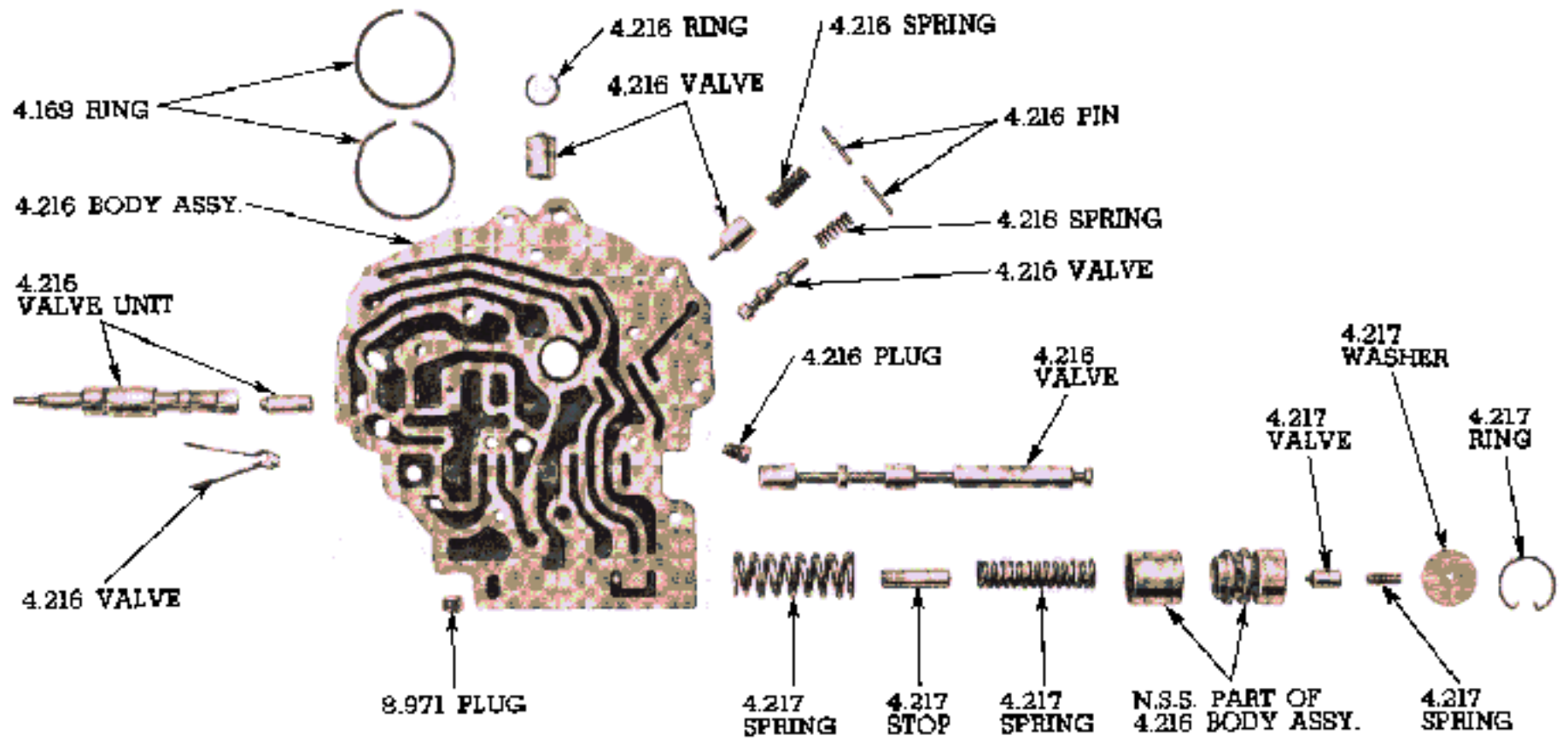
**1953-54 POWER GLIDE TRANSMISSION THROTTLE VALVE**



**1953-54 POWER GLIDE TRANSMISSION THROTTLE VALVE BODY ASSY.**

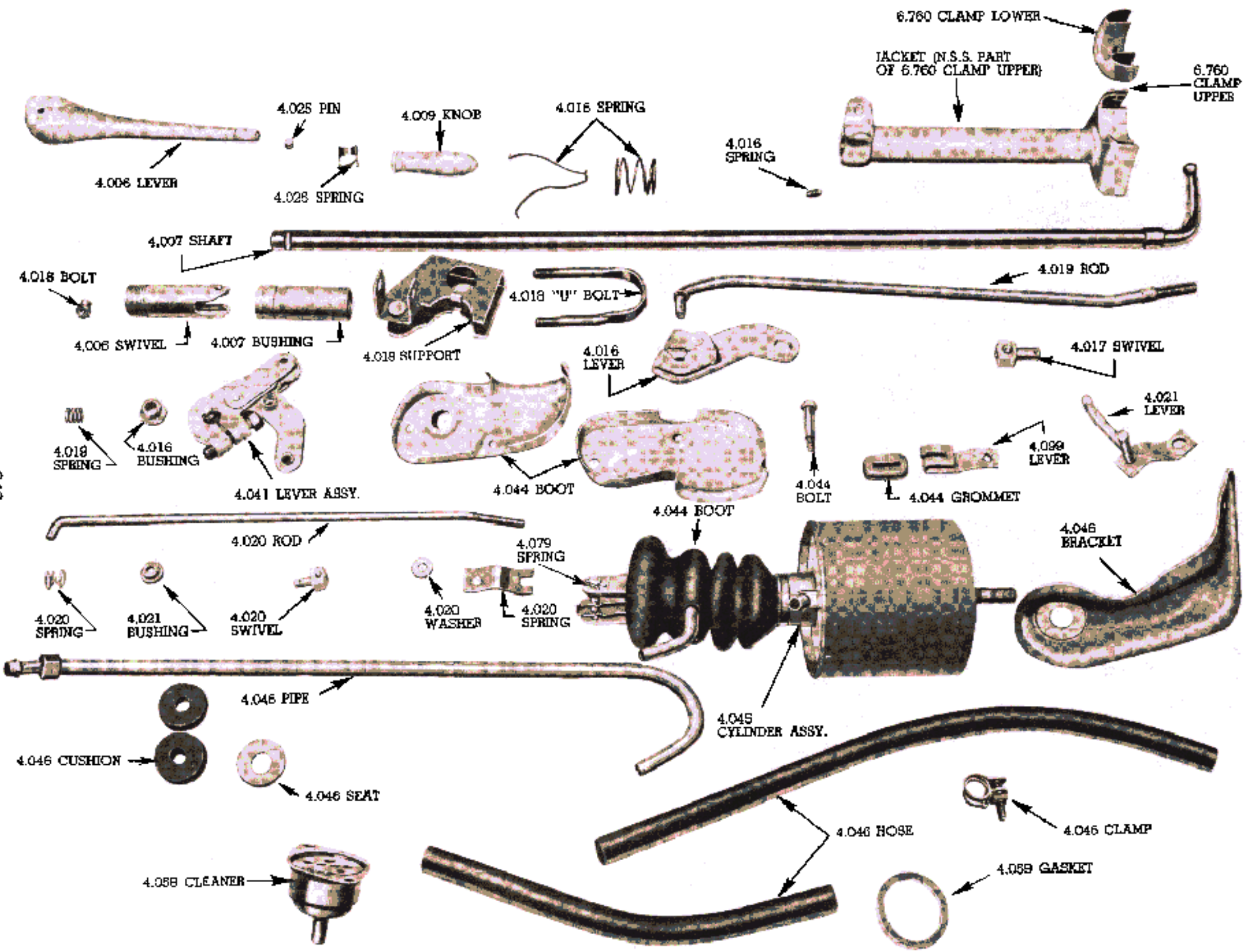


### 1953-54 POWER GLIDE TRANSMISSION GOVERNOR



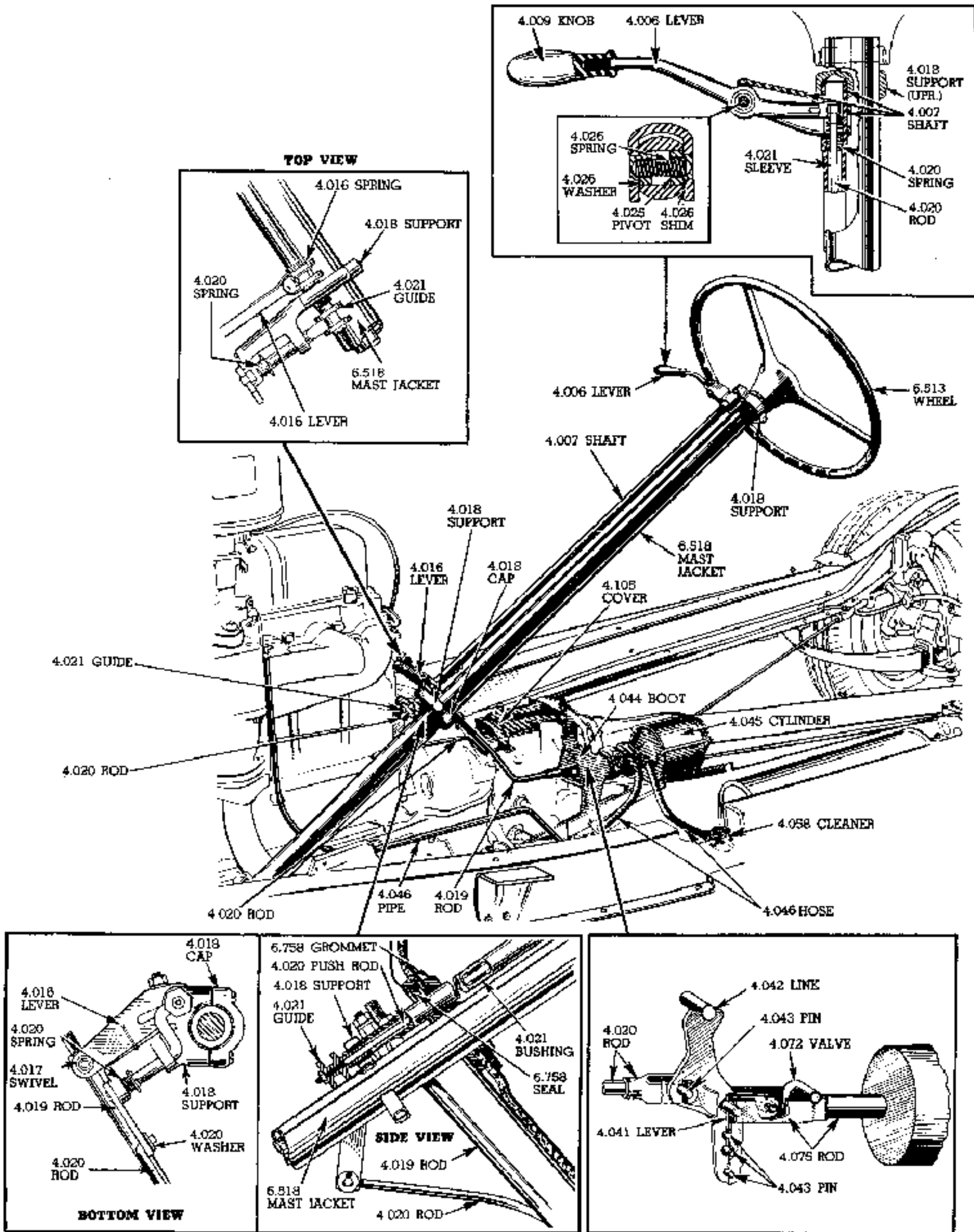
### 1953-54 POWER GLIDE TRANSMISSION MAIN VALVE BODY



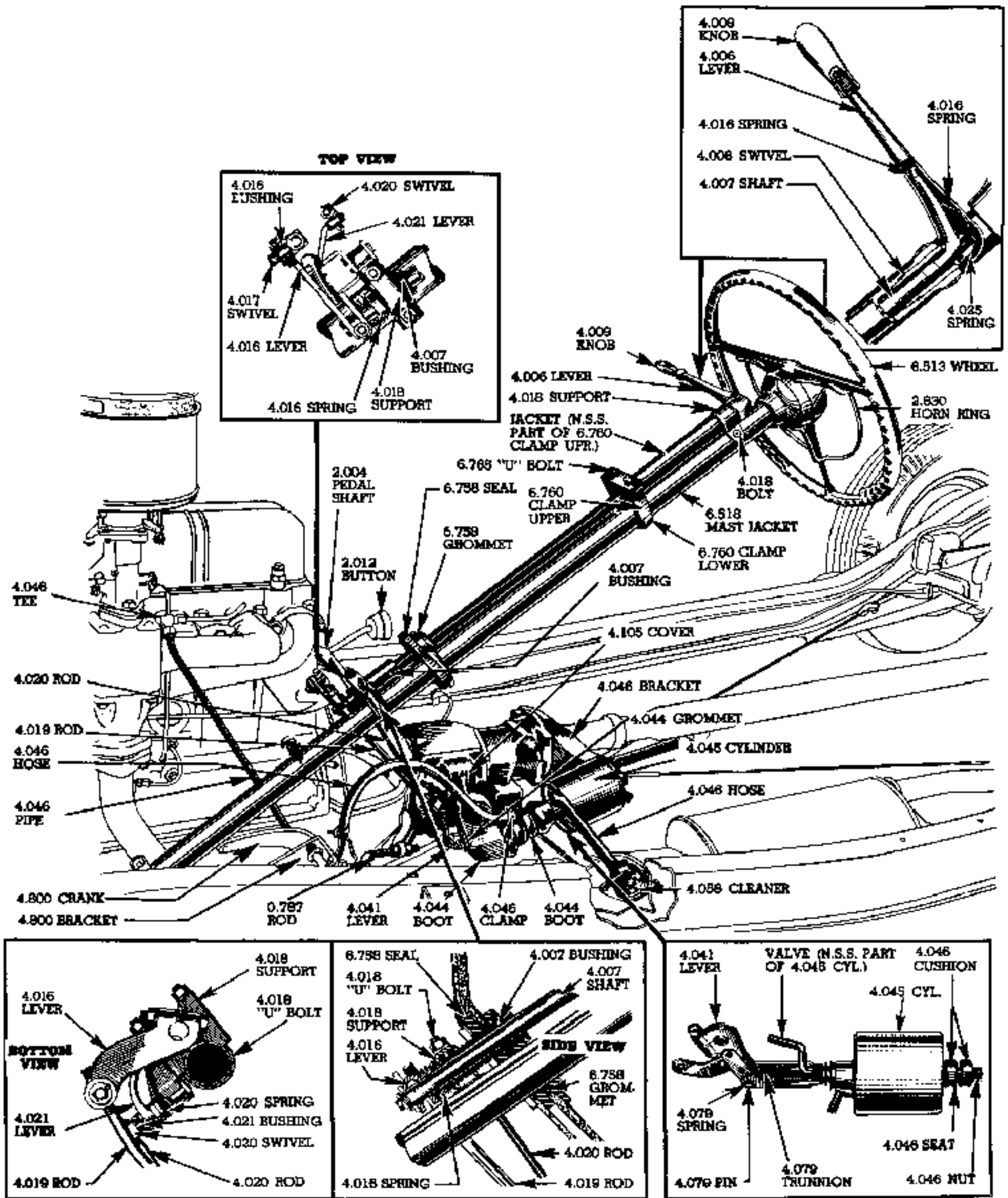


1940-48 PASSENGER STEERING COLUMN GEARSHIFT PARTS

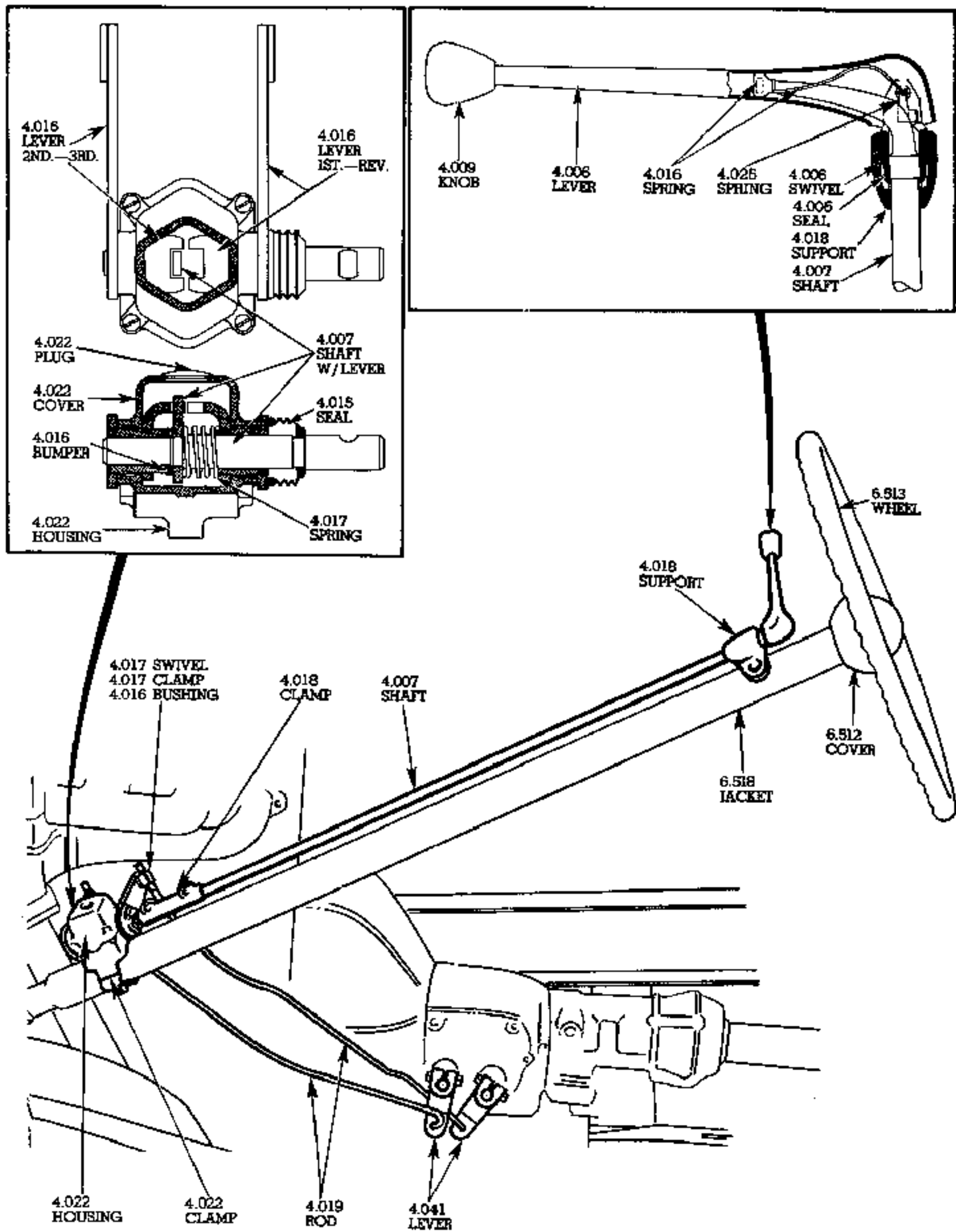




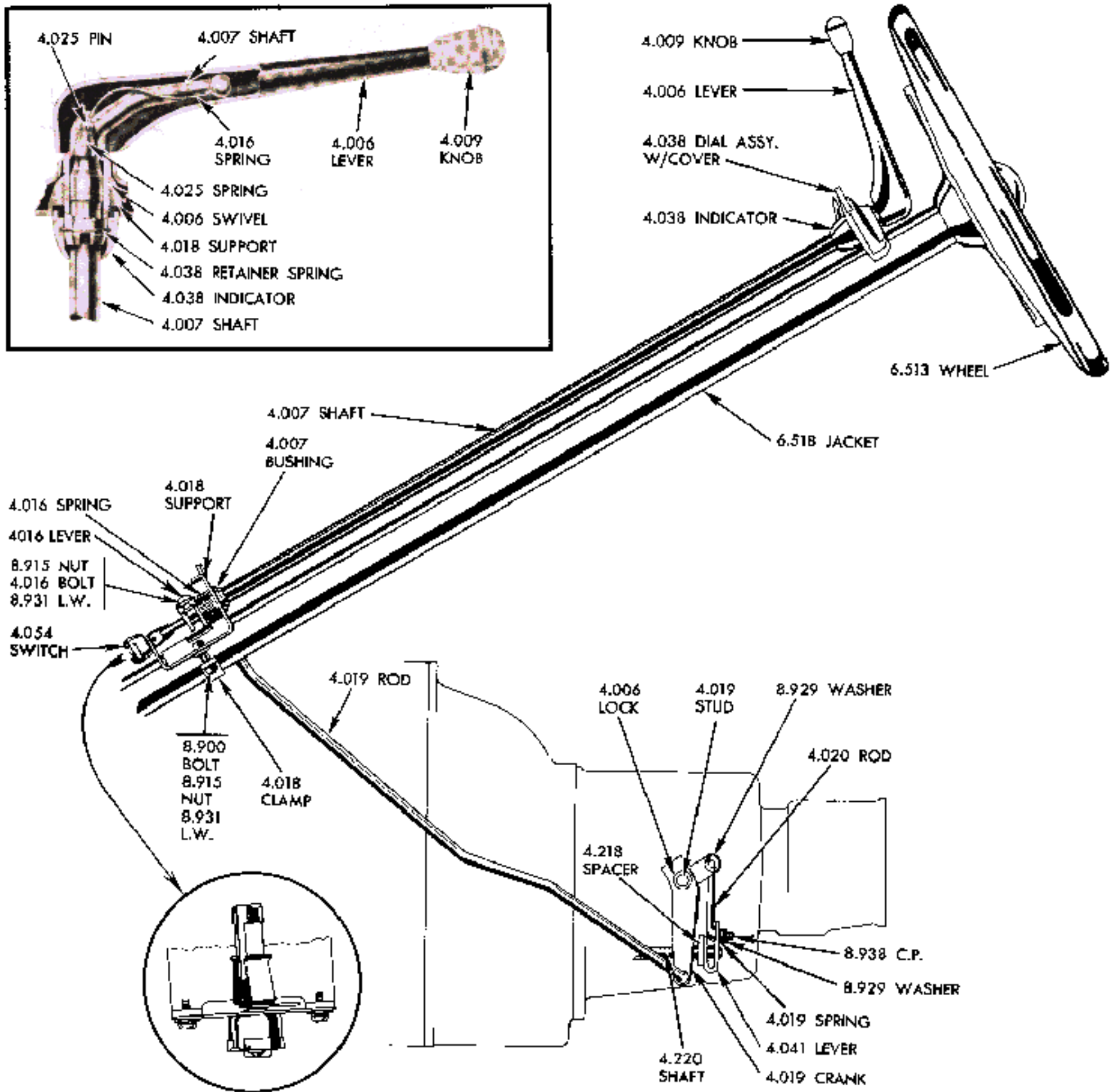
**1939 STEERING COLUMN GEARSHIFT MECHANISM**



1940-48 PASS. STEERING COLUMN GEARSHIFT MECHANISM

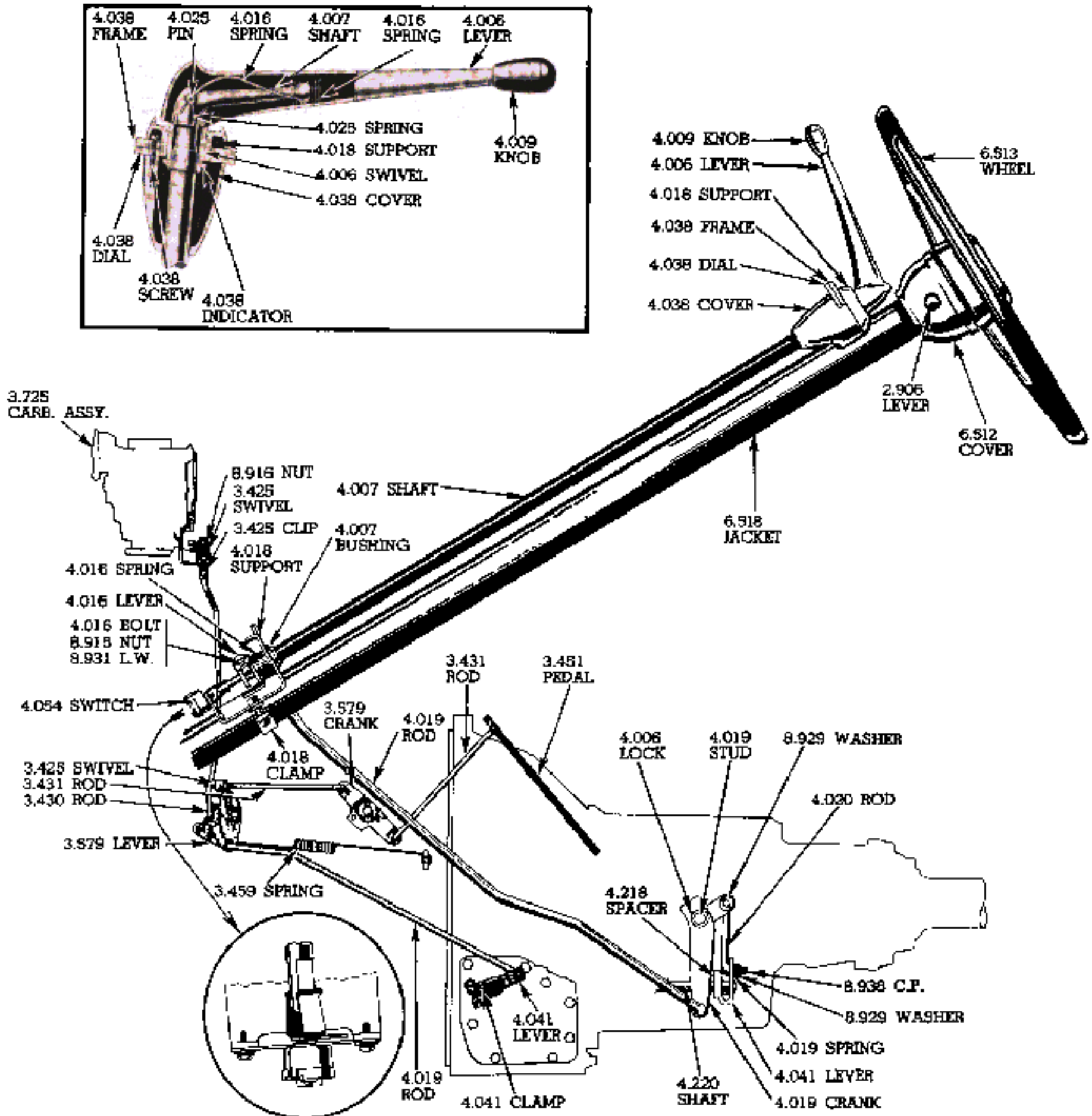


1948-54 PASS., COMM. STEERING COLUMN GEARSHIFT MECHANISM

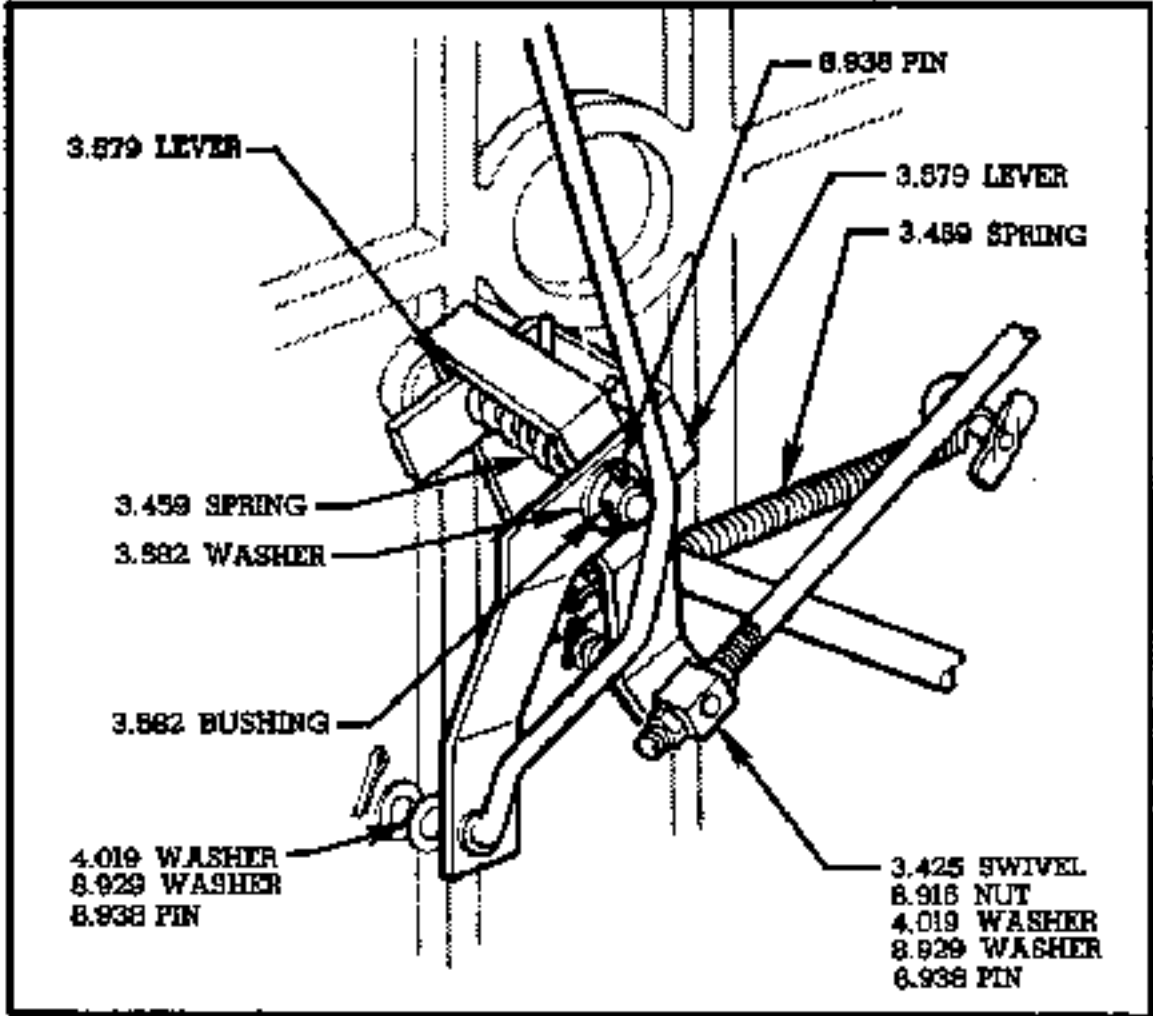
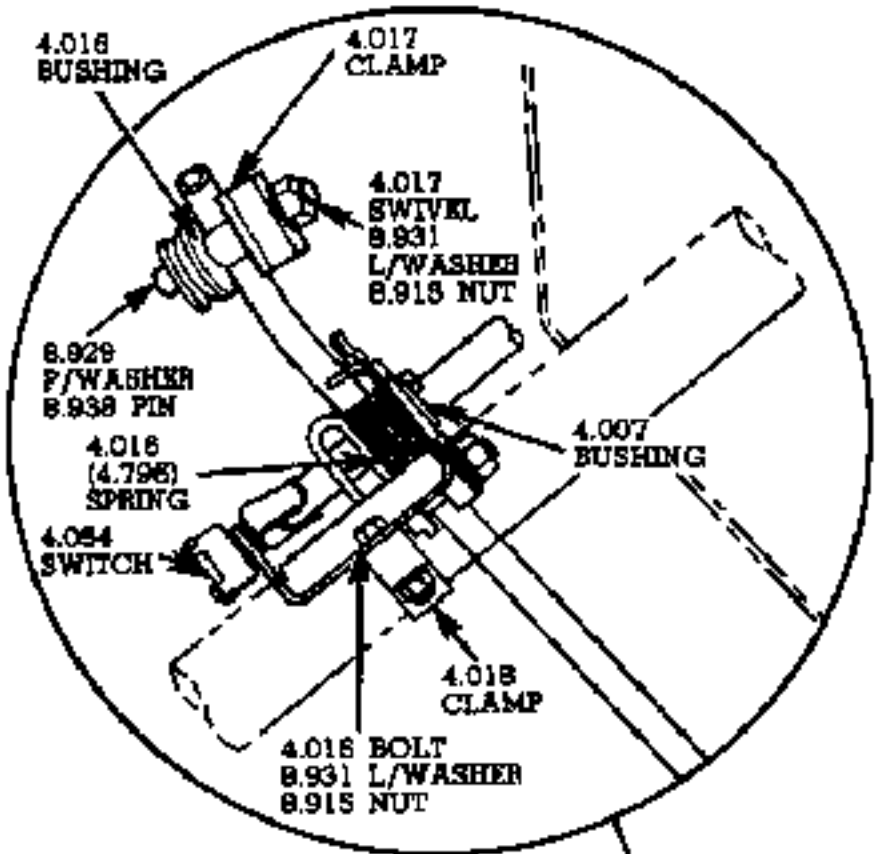


**1950-52 POWER GLIDE-CONTROL MECHANISM**

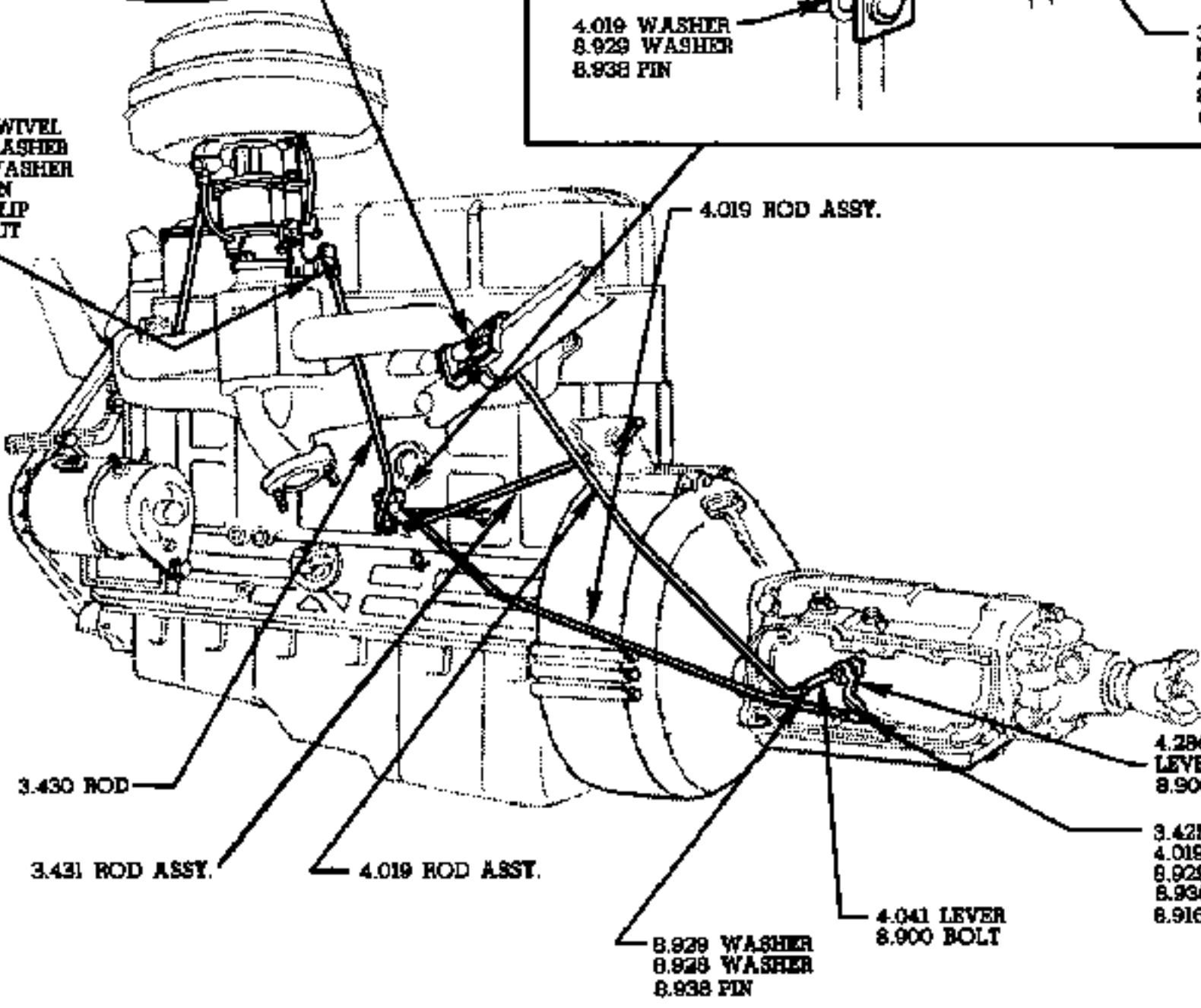




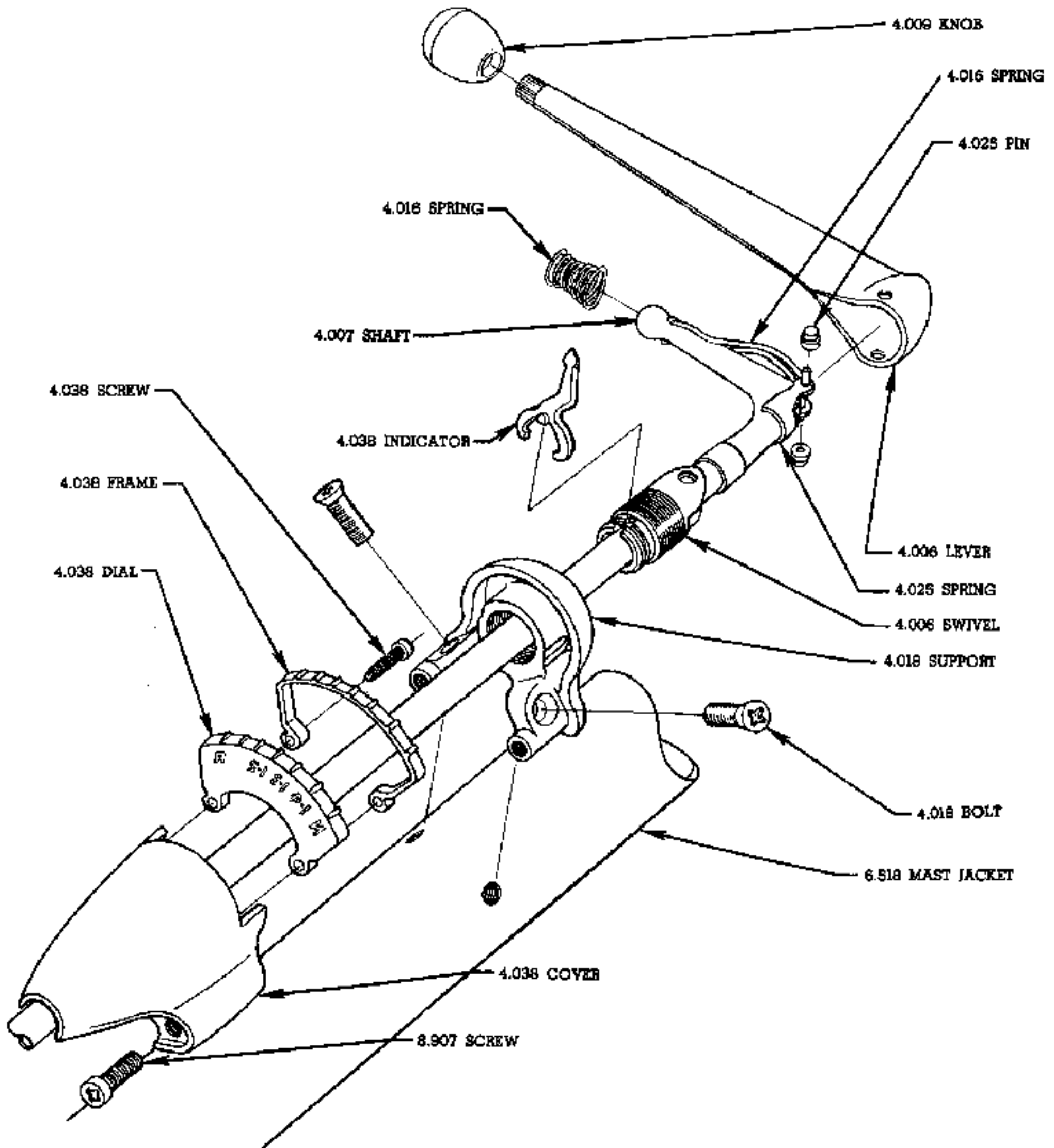
**1953-54 POWER GLIDE—CONTROL MECHANISM**



- 3.425 SWIVEL
- 4.019 WASHER
- 8.929 WASHER
- 8.938 PIN
- 3.425 CLIP
- 8.916 NUT



**TRUCK AUTOMATIC TRANSMISSION—CONTROL MECHANISM**



**TRUCK AUTOMATIC TRANSMISSION—CONTROL MECHANISM**

**~ BLANK PAGE ~**

**~ BLANK PAGE ~**



# CHEVROLET MASTER PARTS CATALOG

YEAR	MODEL	PART NAME	PART NO.	NO. USED	LIST PRICE
<b>4.003 TRANSMISSION ASSEMBLY (less hand brake and gearshift levers)</b>					
NOTE: Parts for 1935-36 transmission having serial numbers starting with WM00001 (3-Speed) and WT00001 (4-Speed) require some special parts which may be identified in the following transmission groups by the letters "WM" or "WT" shown with description.					
41-48	PASS.		591187	1	82.55
41-47	COMM. (3-SPD.)	(see NOTE I below)	591233	1	82.55
48-53	COMM. (3-SPD.)	(see NOTE II below)	591836	1	93.50
48-54	ALL (4-SPEED)	(see NOTE III below)	591703	1	134.64
49-53	PASS. (exc. P.G.)		3701462	1	93.50
54	PASS. w/P.G.	(see NOTE IV below)	3709640	1	229.50
54	PASS. (exc. P.G.)		3709812	1	93.50
54	COMM. (3-SPD.) (exc. hvy. duty)	(see NOTE V below)	3845029	1	93.50

NOTE I—On 1940 models (exc. WD), replace rear bearing retainer with 591119.

NOTE II—On ¼ TON models, replace "U" joint and speedometer gears with 591646 and 605063.

NOTE III—On 1948-53 ½, ¾ TON, and 1952-53 models w/prop. shaft brake, transfer rear bearing retainer from replaced transmission.

NOTE IV—When flywheel is attached with 6 bolts it will be necessary to enlarge 3 alternate holes and use three ⅝ attaching bolts (3708352) and three anchor nuts (3703277) for proper installation. Adjust trans. lever according to the 1954 shop manual adjustment instructions.

NOTE V—On ¼ TON models discard "U" joint, rear brg. support and replace w/3845019 rear brg. support, 3845022 "U" joint frt. yoke, 3845023 rear brg. oil slinger and replace speedometer drive gear by 3692234 speedometer drive gear unit.

## 4.004 TRANSMISSION KITS

37-39	PASS., COMM.				
40-47	COMM. (3-SPD.)	gearshift lever	609928*	1	1.13
37-54	PASS. (exc. P.G.)	thrust washer and needle brg.	3692617†	1	1.13
41-54	COMM. (3-SPD.)				
41-54	PASS. (hvy. duty)	thrust washer and needle brg.	3692616⊕	1	2.05

\*NOTE: Consists of 1 Hsg., 1 Seat, 1 Spring, 1 Gasket, 1 Ball Retainer.

†NOTE: Consists of 1—591793 Washer, 2—590826 Washer, 2—591091 Washer, 14—435844 Roller.

⊕NOTE: Consists of 1—591793 Washer, 2—591212 Washer, 2—591091 Washer, 14—435844 Roller, 50—435847 Roller.

## 4.005 GASKET—SEAL, Transmission

31-47	ALL (4-SPEED)		606664*	1	.62
37-54	ALL (3-SPEED) (exc. hvy. duty)		3689488*	1	.84
50-52	PASS. w/P.G.		3701030†	1	2.14
48-54	ALL (4-SPEED)		3697378⊕	1	.40
53-54	PASS. w/P.G.	(for complete repair)	3703919	1	2.40
50-52	PASS. w/P.G.	SEAL UNIT, "O" ring	3698460‡	1	1.50
53-54	PASS. w/P.G.	SEAL UNIT, "O" ring	3703918§	1	1.50

\*NOTE: Consists of bearing retainer gaskets, cover gaskets, "U" joint seal and shims.

†NOTE: Consists of 1 hsg. to case gskt., 1 valve body to case gskt., 2 side cover gskts., 1 rear oil pump gskt., 1 servo cover gskt., 1 modulator housing gskt., 1 manual valve seal, 1 oil suction pipe seal, 1 valve spring plug gskt., and 1 ball collar seal.

⊕NOTE: Consists of 1 clutch gear brg. ret. gskt., 1 trans. cover gskt., 1 rear brg. ret. gskt. and power take-off gskt.

‡NOTE: Consists of 1 converter cover, 1 turbine bolt, 1 frt. pump, 1 "U" joint and 1 primary pump hub "O" ring seal.

§NOTE: Consists of one seal each for converter cover, ball joint collar, and frt. oil pump body.

#### 4.006 LEVER ASSEMBLY—SWIVEL—SEAL—BRACKET—LINK—BOLT, Gearshift

34	DA, DB (3-SPEED)	(26 $\frac{1}{8}$ overall length)	590696	1	3.63
35-36	EA, ED, FA, FD, FC (3-SPEED)	(27 $\frac{15}{16}$ overall length)	590753	1	3.90
37-39	PASS. (ctr. shift 3-SPD.),				
37-47	COMM. (3-SPEED)	(27 $\frac{13}{16}$ developed length)	591219	1	3.90
39	PASS. (strg. col. shift)	with grip	3650271	1	1.88
40-48	PASS.	less grip	3653695	1	.98
29-47	ALL (4-SPEED) (exc. COE)	(w/reverse latch rod)	591216	1	5.15
39-47	COE	lower (w/cap, spring and cup)	3650879	1	3.20
39-46	COE	upper (w/reverse cable)	3650788	1	7.32
47	COE	upper (w/reverse cable)	3682882	1	7.08
48-53	COMM. (3-SPEED),				
49-52	PASS. (3-SPEED)	less grip	3686799	1	.92
48-54	ALL (4-SPD.) (exc. D-D, COE)	(28 $\frac{11}{16}$ dev. length)	3685845	1	3.90
48-54	DUBL-DUTI (4-SPEED)	(28 $\frac{11}{16}$ dev. length)	3690381	1	3.90
48-54	COE	lower (8 $\frac{11}{32}$ length)	3684588	1	2.98
48-54	COE	upper (w/ball, spring ret.)	3696510	1	5.98
50-52	PASS. w/P.G.	control, less grip	3694329	1	.92
53-54	PASS. (exc. P.G.),				
54	$\frac{1}{2}$ , $\frac{3}{4}$ TON (3-SPD.),				
54	1 TON (3-SPD.) (hvy. duty)	less grip	3701533	1	.75
53-54	PASS. w/P.G.,				
54	COMM. w/A.T.	control, less grip	3701569	1	.75
40-41	PASS.	SWIVEL, lever (3 $\frac{1}{4}$ overall length)	3653712	1	.92
42-54	PASS. (3-SPD.),				
48-54	$\frac{1}{2}$ , $\frac{3}{4}$ TON (3-SPD.),				
54	1 TON (3-SPD.) (hvy. duty)	SWIVEL, lever (2 $\frac{1}{8}$ overall length)	3664984	1	.75
50-52	PASS. w/P.G.	SWIVEL, control lever (2 $\frac{1}{16}$ overall length)	3698688	1	.75
53-54	PASS. w/P.G.,				
54	COMM. w/A.T.	SWIVEL, control lever (2 $\frac{1}{16}$ O.L.)	3701570	1	.75
53-54	PASS. (exc. P.G.)	SEAL, "O" ring (rubber— $\frac{13}{16}$ I.D.)	3707842	1	.06
39-54	COE	BRACKET, lower lever (3 overall length)	3650594	1	.70
39-46	COE	LINK, lever	3680598	1	3.10
47-54	COE	LINK, lever	3685031	1	3.10
39-54	COE	BOLT, lever link ( $\frac{5}{8}$ —24 x 3 $\frac{13}{16}$ length)	3650597	2	.12
47-54	COE	LOCK, lever link extension ( $\frac{11}{16}$ O.D.),			
50-54	PASS. w/P.G.	control rod ball crank	3688901	1	.05
39-47	COE	SPRING, reverse latch rod (coil— $\frac{1}{2}$ O.D.)	3650768	1	.03

#### 4.007 SHAFT—BUSHING, Gearshift Control

39	PASS.	assy. (31 $\frac{1}{4}$ length)	3650300	1	4.88
40-48	PASS.	assy.	3654491	1	3.53
48-53	COMM. (3-SPD.) (exc. D-D)	upper (23 $\frac{1}{8}$ O.L.)	3686816	1	2.98
48-54	COMM. (3-SPEED),				
53-54	ALL P/S,				
54	1 TON (3-SPD.) (hvy. duty)	lower w/lever (10 $\frac{5}{8}$ long)	3686802	1	1.57
48	$\frac{3}{4}$ TON D-D (1st design)	upper (24 $\frac{3}{4}$ O.L.)	3687508	1	3.25
48-53	$\frac{3}{4}$ TON D-D (2nd design)	upper (25 $\frac{3}{8}$ O.L.)	3691349	1	3.25
49-52	PASS. (exc. P.G.)	upper (29 $\frac{7}{8}$ O.L.)	3688161	1	3.53
49-54	PASS. (exc. P.G., P/S)	lower w/lever (5 $\frac{3}{8}$ long)	3688158	1	1.57
50-52	PASS. w/P.G.	control	3698689*	1	3.75
53-54	PASS. (exc. P.G., P/S)	upper (29 $\frac{1}{4}$ O.L.)	3701539	1	3.53
53-54	PASS. w/P.G. (exc. P/S)	control (35 O.L.)	3701571	1	3.75
53-54	ALL P/S (exc. P.G.)	upper (20 $\frac{3}{4}$ O.L.)	3704085	1	3.53
53-54	ALL P/S w/P.G.	control (31 O.L.)	3704076	1	3.75
54	COMM. (3-SPD.) (exc. D-D)	upper (22 $\frac{1}{4}$ O.L.)	3705435	1	2.95
54	DUBL-DUTI	upper (23 $\frac{7}{8}$ O.L.)	3705487	1	3.25
54	COMM. w/A.T. (exc. D-D)	(32 $\frac{13}{16}$ O.L.)	3707808	1	3.75
54	DUBL-DUTI w/A.T.	(34 $\frac{1}{4}$ O.L.)	3707643	1	3.75
40-48	PASS.	BUSHING (3 overall length)	3653736	1	.85
50-54	PASS. w/P.G.,				
54	COMM. w/A.T.	BUSHING, control shaft (1 O.D. x $\frac{1}{8}$ long)	3693802	1	.40

\*NOTE: On 1950-51 models, 3698688 (group 4.006) must also be used.

#### 4.008 PIN, Gearshift Lever Fulcrum

29-54	ALL (4-SPEED)	(1 $\frac{1}{8}$ overall length)	590282	2	.02
-------	---------------	----------------------------------	--------	---	-----

#### 4.009 KNOB, Gearshift Lever

29-54	ALL (exc. strg. col. shift)	(2 $\frac{1}{2}$ diameter)	374993	1	.55
39	PASS. (strg. col. shift)	( $\frac{3}{8}$ hole diameter)	3650273	1	.67
40-48	PASS.	( $\frac{3}{8}$ hole diameter)	3665490	1	.67
48-53	COMM. (3-SPEED)	( $\frac{3}{8}$ hole diameter)	3686898	1	.55
49-52	PASS. (exc. P.G.)	light ivory	3699416	1	.55
50-52	PASS. w/P.G.	light ivory	3699926	1	.40
53-54	PASS. (exc. P.G.),				
54	$\frac{1}{2}$ , $\frac{3}{4}$ TON (3-SPD.)				
54	1 TON (3-SPD.) (hvy. duty)	black (1 $\frac{3}{8}$ O.D.)	3698233	1	.55
53-54	PASS. w/P.G.,				
54	COMM. w/A.T.	black ( $\frac{3}{8}$ O.D.)	3701927	1	.40

#### 4.015 CAP—SEAL, Gearshift Lever

32-36	ALL (3-SPEED)	CAP (2 $\frac{1}{4}$ —16 thd. x $\frac{3}{4}$ height)	367408	1	.33
29-54	ALL (4-SPEED)	CAP (bayonet type) (1 $\frac{29}{32}$ O.D.)	590387	1	.33
37-38	PASS. (3-SPEED)	SEAL, floor (1 $\frac{1}{4}$ I.D. x 3 $\frac{1}{4}$ O.D.)	594349	1	.33
37-47	COMM. (3-SPD.)	SEAL, floor (1 $\frac{1}{4}$ I.D. x 2 $\frac{3}{4}$ O.D.—2 $\frac{1}{4}$ height)	3653420	1	.33
48-54	ALL (3-SPEED) (exc. FK, FJ),				
54	1 TON (3-SPD.) (hvy. duty)	SEAL, rubber (bellows type)	3686796	1	.28
40-47	ALL (4-SPEED) (exc. COE)	SEAL, floor (sponge rubber)	3653421	1	.45
47-54	COE	SEAL, floor (canvas)	3686346	1	1.52
48-54	ALL (4-SPEED) (exc. D-D, COE)	SEAL, floor (sponge rubber)	3687200	1	.57

#### 4.016 LEVER—BOLT—BUMPER—BUSHING—SPRING, Gearshift Control Shaft

39	PASS.	LEVER (3 $\frac{3}{4}$ between hole centers)	3650931	1	.45
40-48	PASS.	LEVER (3 $\frac{1}{4}$ between hole centers)	3653137	1	.33
48-53	ALL (3-SPEED) (exc. FK, FJ),				
54	PASS., $\frac{3}{4}$ TON D-D (exc. A. T.),				
54	1 TON D-D (hvy. duty)	LEVER ASSY., housing 1st and reverse	3686811	1	1.05
48-52	COMM. (3-SPEED),				
53-54	$\frac{1}{2}$ , $\frac{3}{4}$ TON (3-SPD.) (exc. D-D),				
54	1 TON (3-SPD.) (hvy. duty) (exc. D-D)	LEVER ASSY., housing 2nd and 3rd (4 $\frac{1}{4}$ O.L.)	3686812	1	1.05
49-54	PASS., K (exc. P.G.),				
54	1 TON D-D (3-SPD.) (hvy. duty)	LEVER ASSY., housing 2nd and 3rd (5 $\frac{1}{4}$ O.L.)	3688159	1	1.05
50-54	PASS. w/P.G.,				
54	COMM. w/A.T.	LEVER, control shaft	3696180*	1	.62
53-54	ALL P/S w/P.G.	LEVER, w/link (teeth in keyhole slot)	3704077	1	1.07
54	$\frac{1}{2}$ , $\frac{3}{4}$ TON (3-SPD.)	LEVER ASSY., housing 1st and reverse (4 $\frac{1}{4}$ O.L.)	3700379	1	.90
54	1 TON (3-SPD.) (hvy. duty)				
50-54	PASS. w/P.G.,				
54	COMM. w/A.T.	BOLT, "T" control shaft lever (5 $\frac{1}{8}$ —24 x 1 $\frac{1}{8}$ )	3696181	1	.12
48-54	ALL (3-SPD.) (exc. FK, FJ),				
54	1 TON (3-SPD.) (hvy. duty)	BUMPER, lever ( $\frac{1}{2}$ I.D. x $\frac{3}{8}$ O.D.)	3689221	1	.05
39-54	PASS.,				
48-54	COMM. (3-SPEED),				
54	1 TON (3-SPD.) (hvy. duty)	BUSHING, lever ( $\frac{3}{8}$ I.D. x $\frac{3}{8}$ O.D.)	3652244	1	.09
39	PASS.	SPRING, anti-rattle, control shaft (2 $\frac{1}{2}$ I.D.)	3650301	1	.06
40-48	PASS.	SPRING, anti-rattle, control shaft lever (coil, 1 $\frac{1}{8}$ I.D.)	3653202	1	.07
40-52	PASS. (exc. P.G.),				
48-53	COMM. (3-SPEED)	SPRING, anti-rattle, shift lever (hairpin type)	3653747	1	.07
40-52	PASS.,				
48-53	COMM. (3-SPEED)	SPRING, anti-rattle, control shaft (coil type)	3655726	1	.03
40-48	PASS.	SPRING, anti-rattle, control shaft (snaps over shaft and most jacket)	606418	1	.06
50-52	PASS. w/P.G.	SPRING, anti-rattle (hairpin type)	3693784	1	.07
50-54	PASS. w P.G.,				
54	COMM. w/A.T.	SPRING, control shaft (5 coils)	3693704	1	.07
53-54	PASS.,				
54	$\frac{1}{2}$ , $\frac{3}{4}$ TON (3-SPD.),				
54	1 TON (3-SPD.) (hvy. duty)	SPRING, anti-rattle, control shaft (coil type— $\frac{1}{8}$ O.L.)	3703441	1	.10
54	COMM. w/A.T.				
53-54	PASS. (exc. P.G.),				
54	$\frac{1}{2}$ , $\frac{3}{4}$ TON (3-SPD.),				
54	1 TON (3-SPD.) (hvy. duty)	SPRING, anti-rattle, shift lever (hairpin type)	3701535	1	.07

\*NOTE: When using 3696180 on 1950 models it will be necessary to use 3696181 "T" bolt.

#### 4.017 SWIVEL—SPRING—LOCK—CLAMP, Gearshift Lever

39	PASS.	control rod (1 $\frac{1}{8}$ length)	3650299	1	.28
40-47	PASS.,				
48	ALL (3-SPEED)	control rod (1 $\frac{1}{8}$ length)	3653745	1	.28
48	$\frac{3}{4}$ TON D-D (w/unthreaded rod),				
49-54	ALL (exc. 4-SPD.)	control rod,			
54	COMM. w/A.T.	shifter rod (2 $\frac{1}{8}$ long)	3691651	A.R.	.28
39	PASS.	SPRING, anti-rattle, swivel (1 $\frac{3}{8}$ I.D. x 1 $\frac{1}{16}$ O.D.)	3650298	1	.06
48-50	COMM. (3-SPEED)	SPRING, control shaft (1 $\frac{1}{8}$ O.D.)	3686805	1	.06
49-54	ALL (3-SPD.) (exc. GP, GR, GT),				
54	1 TON (3-SPD.) (hvy. duty)	SPRING, control shaft	3692295	1	.07
39	PASS.	LOCK, swivel pin (round type)	475508	A.R.	(5.030)
39	PASS.	LOCK, swivel pin	3552249	1	.04
48	$\frac{3}{4}$ TON D-D,				
49-54	ALL (exc. 4-SPD.),	CLAMP, control rod,			
54	1 TON (3-SPD.) (hvy. duty)	shifter control rod (2 $\frac{1}{8}$ x 1 $\frac{1}{16}$ x 1 $\frac{1}{16}$ )	3692228	A.R.	.17
54	COMM. w/A.T.				

#### 4.018 SUPPORT—CAP—SCREW—CLAMP, Gearshift Control

39	PASS.	upper (malleable iron)	3650245	1	.88
39	PASS.	lower, w/operating lever and link	603549	1	1.83
40	PASS.	upper (die casting) (7 $\frac{1}{8}$ length)	3653720	1	1.20
40-48	PASS.	lower	3653594	1	.65
41	PASS.	upper (die casting) (8 $\frac{1}{8}$ length)	3658391	1	1.23
42-48	PASS.	upr. (die casting)	3682626	1	.60
48-53	COMM. (3-SPEED),				
49-52	PASS. (exc. P.G.)	upper (die casting) (1 $\frac{1}{8}$ length)	3686806	1	.60
50-54	PASS. w/P.G. (exc. P/S)	lower	3702888*	1	.65
50-52	PASS. w/P.G.	upper (cast 3694300)	3694300	1	.60
53-54	PASS. (exc. P.G.),				
54	$\frac{1}{2}$ , $\frac{3}{4}$ TON (3-SPD.),				
54	1 TON (3-SPD.) (hvy. duty)	upper (die casting—1 $\frac{1}{8}$ O.L.)	3698234	1	.60
53-54	PASS. w/P.G.,				
54	COMM. w/A.T.	upper (die casting—1 $\frac{1}{2}$ O.L.)	3701574	1	.80
53-54	ALL P/S w/P.G.	lower	3704080	1	.65
54	COMM. w/A.T.	lower (3 $\frac{1}{8}$ long)	3707606	1	.65
39	PASS.	CAP, lower support	3650304	1	.33
40-47	PASS.,				
48-54	ALL (3-SPEED)	SCREW, upper support to mast jacket (1/4-28			
54	1 TON (3-SPD.) (hvy. duty)	x 3/8 oval, cross recess head)	451181	2	.05
50-52	PASS. w/P.G.	SCREW, upr. supt. to mast jacket, w/lock			
		washer (1/4—28 x 1/2)	450986	1	.06
53-54	PASS. w/P.G.,				
54	COMM. w/A.T.	SCREW, upr. supt. control (1/4—28 x 5/8)	439983	2	.06
39	PASS.	CLAMP	3650519	1	(6.760)
40-41	PASS.	CLAMP, "U" shaped (used w/3658391 or			
		3653720)	3653751	1	(6.760)
42-48	PASS.	CLAMP, "U" shaped (used w/3664751 or			
		3664752)	3664753	1	(6.760)
42-48	PASS. (exc. AEROSSEDAN)	CLAMP (w/control shaft jacket)	3664752	1	(6.760)
42-48	AEROSSEDAN	CLAMP (w/control shaft jacket)	3664751	1	(6.760)
48-54	ALL (3-SPD.) (exc. FK, FI),				
54	1 TON (3-SPD.) (hvy. duty)	CLAMP (joins upr. and lwr. shafts—2 $\frac{3}{8}$ length)	3686831	1	.45
48-53	ALL (3-SPD.) (exc. FK, FI)	CLAMP, lower housing	3687429	1	(4.022)
50-54	PASS. w/P.G.,				
54	COMM. w/A.T.	CLAMP, lwr. supt.	3689993	1	.22
40-48	PASS.	U-BOLT, lower support	3653721	1	.25
40-48	PASS.	U-BOLT, to cowl	3664750	1	(6.765)

\*NOTE: On 1950 models, 3696180 and 3696181 (group 4.016) must also be used.

#### 4.019 ROD—LEVER—CRANK—LOCK—SHAFT—SPRING—STUD, Gearshift Control

39	IA	(3/16 x 18 1/2)	3650267	1	.37
39	IB	(3/16 x 16 3/4)	3650265	1	.37
40-48	PASS.	(5/8 x 17 w/2 3/8 thd.)	3664239	1	.43
48-53	COMM. (3-SPD.) (exc. D-D)	1st and reverse (25 1/16 dev. length) (no			
		thds.)	3692227	1	.98



49-54	PASS. (exc. P.G., P/S).....	1st and reverse (22 $\frac{5}{8}$ dev. length).....	3696679	1	.58
48	COMM. (3-SPD.) (exc. FT).....	upr., 2nd and 3rd (14 $\frac{5}{8}$ dev. length)....	3686818	1	.53
48-52	DUBL-DUTI (3-SPD.).....	upr., 1st and reverse (37 $\frac{5}{8}$ dev. length) (no thds.).....	3697945	1	1.33
49-53	COMM. (3-SPD.) (exc. D-D).....	upr., 2nd and 3rd (14 $\frac{5}{8}$ dev. length) (no thds.).....	3692231	1	.98
48-52	DUBL-DUTI (3-SPD.).....	upr., 2nd and 3rd (39 $\frac{1}{2}$ dev. length) (no thds.) (used w/clamp type swivel)....	3691665	1	1.33
48-53	$\frac{1}{2}$ , $\frac{3}{4}$ TON (3-SPD.) (exc. D-D),				
54	$\frac{1}{2}$ , $\frac{3}{4}$ TON (3-SPD.) (exc. D-D, hvy. duty).	lwr., 2nd and 3rd (10 $\frac{1}{8}$ dev. length)....	3686819	1	.58
48-53	$\frac{3}{4}$ TON D-D (3-SPD.),				
54	$\frac{3}{4}$ TON D-D (3-SPD.) (exc. hvy. duty)....	lwr., 1st and reverse (13 dev. length)....	3687513	1	.80
48-53	$\frac{3}{4}$ TON D-D (3-SPD.),				
54	$\frac{3}{4}$ TON D-D (3-SPD.) (exc. hvy. duty)....	lwr., 2nd and 3rd (10 $\frac{3}{4}$ dev. length)....	3687514	1	.80
49-54	PASS. (exc. CONV., P.G., P/S).....	2nd and 3rd (25 $\frac{13}{16}$ dev. length).....	3688165	1	.58
49-54	CONV. (exc. P.G.).....	2nd and 3rd (25 $\frac{3}{4}$ dev. length).....	3688479	1	.58
50-52	PASS. w/P.G.....	long.....	3692144	1	.58
53-54	PASS. w/P.G. (exc. P/S).....	control, long (25 O.L.).....	3702693	1	.58
53-54	PASS. w/P.G.....	throttle valve control (16 O.L.).....	3703517	1	.45
53-54	ALL P/S (exc. P.G.).....	1st and reverse (22 $\frac{3}{4}$ dev. length).....	3704089	1	.58
53-54	ALL P/S (exc. P.G.).....	2nd and 3rd (23 $\frac{1}{2}$ dev. length).....	3704087	1	.58
53-54	ALL P/S w/P.G.....	control, long.....	3704081	1	.58
53-54	$\frac{3}{4}$ TON D-D (3-SPD.),				
54	1 TON D-D (3-SPD.) (hvy. duty).....	upper, 1st and reverse ( $\frac{5}{8}$ tubing).....	3703585	1	2.90
53-54	$\frac{3}{4}$ TON D-D (3-SPD.),				
54	1 TON D-D (3-SPD.) (hvy. duty).....	upper, 2nd and 3rd ( $\frac{5}{8}$ tubing).....	3703583	1	2.90
54	$\frac{1}{2}$ , $\frac{3}{4}$ TON (3-SPD.) (exc. hvy. duty).....	lower, 1st and reverse (13 $\frac{1}{2}$ dev. length)....	3688269	1	.60
54	COMM. (3-SPD.) (hvy. duty) (exc. D-D)....	lower, 1st and reverse (15 $\frac{1}{2}$ dev. length)....	3705987	1	.75
54	D-D (3-SPD.) (hvy. duty).....	lower, 1st and reverse (15 dev. length)....	3707630	1	.75
54	$\frac{1}{2}$ , $\frac{3}{4}$ TON (3-SPD.) (exc. hvy. duty),				
54	1 TON (3-SPD.) (hvy. duty) (exc. D-D)....	upper, 1st and reverse (14 $\frac{3}{8}$ dev. length)....	3698267	1	.45
54	COMM. (3-SPD.) (hvy. duty) (exc. D-D)....	lower, 2nd and 3rd (12 $\frac{1}{2}$ dev. length)....	3705988	1	.65
54	$\frac{1}{2}$ , $\frac{3}{4}$ TON (3-SPD.) (exc. A.T.),				
54	1 TON (3-SPD.) (hvy. duty).....	upper, 2nd and 3rd (dev. length 14 $\frac{11}{16}$ )....	3698271	1	.50
54	D-D (3-SPD.) (hvy. duty).....	lower, 2nd and 3rd (11 $\frac{5}{8}$ dev. length)....	3707629	1	.65
54	COMM. w/A.T. (exc. D-D).....	shifter (26 $\frac{1}{16}$ dev. length).....	3707600	1	.60
54	COMM. w/A.T. (exc. D-D).....	assy., throttle valve lever control (24 $\frac{3}{16}$ dev. length).....	3707609	1	2.75
54	DUBL-DUTI w/A.T.....	assy., shifter control (51 $\frac{3}{16}$ dev. length)....	3707639	1	3.50
54	DUBL-DUTI w/A.T.....	assy., throttle valve lever control (44 $\frac{3}{4}$ dev. length).....	3707637	1	3.65
54	$\frac{1}{2}$ , $\frac{3}{4}$ TON (3-SPD.) (exc. hvy. duty),				
54	1 TON (3-SPD.) (hvy. duty) (exc. D-D)....	LEVER, inner (4 $\frac{1}{2}$ O.L.—bent).....	3698275	1	.25
54	$\frac{1}{2}$ , $\frac{3}{4}$ TON (3-SPD.) (exc. hvy. duty),				
54	1 TON (3-SPD.) (hvy. duty) (exc. D-D)....	LEVER, outer (4 $\frac{1}{2}$ O.L.—straight).....	3698273	1	.20
48-54	$\frac{1}{2}$ , $\frac{3}{4}$ TON (3-SPD.) (exc. D-D),				
54	1 TON (3-SPD.) (hvy. duty).....	CRANK, bell (3 $\frac{1}{16}$ ctr. to ctr. holes).....	3686899	1	.48
48-54	$\frac{3}{4}$ TON D-D (3-SPD.).....	CRANK, bell, 1st and reverse (1 $\frac{1}{4}$ ctr. to ctr. holes).....	3687509	1	.53
54	1 TON D-D (3-SPD.) (hvy. duty).....	CRANK, bell, 2nd and 3rd (4 $\frac{3}{4}$ O.L.).....	3687510	1	.70
48-52	DUBL-DUTI (3-SPD.).....	CRANK, control rod bell.....	3689987	1	.53
50-54	PASS. w/P.G.....				
53-54	$\frac{3}{4}$ TON D-D (3-SPD.),				
54	1 TON D-D (3-SPD.) (hvy. duty).....	CRANK, bell, 2nd and 3rd (5 $\frac{5}{16}$ O.L.).....	3703582	1	.70
48-54	COMM. (3-SPEED).....	LOCK, bell crank.....	358829	1	(5.057)
48-54	$\frac{1}{2}$ , $\frac{3}{4}$ TON (3-SPD.) (exc. D-D),				
54	1 TON (3-SPD.) (hvy. duty).....	SHAFT, bell crank (4 $\frac{1}{16}$ dia. x 2 $\frac{3}{16}$ length)....	3686900	1	.22
48-54	$\frac{3}{4}$ TON D-D (3-SPD.),				
54	1 TON D-D (3-SPD.) (hvy. duty).....	SHAFT, bell crank (4 $\frac{1}{16}$ dia. x 3 $\frac{1}{8}$ length)....	3687515	1	.22
40-47	PASS.,				
48-52	ALL (3-SPEED),				
54	1 TON (3-SPD.) (hvy. duty).....	SPRING, anti-rattle, control rod.....	371704	A.R.	(4.796)
48-54	$\frac{1}{2}$ , $\frac{3}{4}$ TON (3-SPD.),				
54	1 TON (3-SPD.) (hvy. duty).....	SPRING, bell crank (cone type) (2 coils—1 I.D.)	3686981	1	(4.597)
54	$\frac{1}{2}$ , $\frac{3}{4}$ TON (3-SPD.) (exc. hvy. duty).....	SPRING, cross shaft (idler, inner and outer levers) (6 $\frac{1}{2}$ coils—11 $\frac{1}{16}$ I.D.).....	3698237	1	.06
54	1 TON (3-SPD.) (hvy. duty) (exc. D-D)....	STUD, bell crank ( $\frac{3}{8}$ —16 x 2).....	3689974	1	.22
50-54	PASS. w/P.G.....	WASHER, throttle rod anti-rattle, throttle lever control rod swivel (curved— $\frac{1}{2}$ O.D.).....	410224	A.R.	.02
53-54	PASS. w/P.G.....				
54	COMM. w/A.T.....				

**4.020 ROD—SWIVEL—SPRING—WASHER, Gearshift Selector Control**

39	PASS.	selector control ( $\frac{3}{16} \times 31\frac{1}{8}$ w/ball end)	3650216	1	.50
39	JA	selector to control ( $\frac{1}{4} \times 11\frac{1}{2}$ )	3651807*	1	.40
39	JB	selector to control ( $\frac{1}{4} \times 10\frac{1}{2}$ )	3651809*	1	.40
40-48	PASS.	selector to control ( $\frac{1}{4} \times 20$ )	3664241	1	.40
50-54	PASS. w/P.G.	control short	3689972	1	.45
39-48	PASS.	SWIVEL, selector to control rod	3651805	1	.13
39	PASS.	SPRING, selector control rod (coil, $1\frac{1}{16}$ length)	3650256	1	.06
40-48	PASS.	SPRING, anti-rattle, sel. cont. rod (flat spring)	3654543	1	.03
39-48	PASS.	SPRING, anti-rattle, oper. lever link ( $\frac{1}{16}$ long)	3650253	1	.03
40-48	PASS.	WASHER, sel. to cont. rod swivel (flat, $\frac{5}{8}$ O.D.)	3654428	1	.02

\*NOTE: Swivel 3651805 must be used when rods 3651807 or 3651809 are used to replace first design 1939 production rods.

**4.021 GUIDE—SLEEVE—LEVER—BUSHING, Gearshift Selector Control**

39	PASS.	control lever	3650297	1	.45
39	PASS.	SLEEVE, rod	3651629	1	.06
40-48	PASS.	LEVER, operating	3653139	1	.38
40-48	PASS.	BUSHING, lever	3654430	1	.06

**4.022 HOUSING—COVER—CLAMP—PLUG, Gearshift Lever**

48-54	ALL (3-SPD.) (exc. FK, FJ),	(strg. shift)	3686797	1	.92
54	1 TON (3-SPD.) (hvy. duty)				
48-54	ALL (3-SPD.) (exc. FK, FJ),	COVER, housing (strg. shift)	3686798	1	.70
54	1 TON (3-SPD.) (hvy. duty)				
48-54	ALL (3-SPD.) (exc. FK, FJ),	CLAMP, housing (strg. shift)	3687429	1	.22
54	1 TON (3-SPD.) (hvy. duty)				
48-54	ALL (3-SPD.) (exc. FK, FJ),	PLUG, housing (strg. shift) ( $\frac{3}{4}$ )	142024	1	.06
54	1 TON (3-SPD.) (hvy. duty)				

**4.023 GASKET, Gearshift Lever Ball Housing**

37-39	ALL (3-SPEED),	(center shift)	590864	1	.07
40-47	COMM. (3-SPD.)				

**4.025 PIN, Gearshift Lever Pivot**

39	PASS.	pivot ( $\frac{3}{16}$ O.D.)	3651741	2	.06
40-54	ALL (exc. 4-SPEED) (see NOTE)	PIN, pivot ( $\frac{3}{16}$ O.D.)	3653719	2	.04
40-54	ALL (exc. 4-SPEED) (see NOTE)	SPRING, pivot pin	3654731	1	.06
Not required in this group. See group No. 2.664.			502495		.08

NOTE: 3653719 and 3654731 are used on all models having a strg. col. control (1940-54 manual and automatic shift transmissions).

**4.026 SPRING, Gearshift Lever**

29-54	ALL (4-SPEED) (ctr. shift)	(coil, $2\frac{3}{8}$ I.D. — .148 gauge)	3683562	1	.13
32-36	B, C, D, E, F (3-SPEED) (ctr. shift)	(coil, $1\frac{1}{2}$ length)	367409	1	.13
35-36	EA, ED, FA, FD (3-SPEED) (ctr. shift)	(coil, $1\frac{1}{16}$ length)	476251	1	.13
37-39	ALL (3-SPEED),				
40-47	COMM. (3-SPD.) (ctr. shift)	(coil, $2\frac{1}{4}$ length)	590869	1	.13
39	PASS. (steering column shift)	(coil, $\frac{1}{4}$ O.D. $\times$ $1\frac{1}{8}$ length)	501302	1	.07

**4.027 SEAT—RETAINER—CUP, Gearshift Lever**

32-36	B, C, D, E, F (3-SPEED)	fulcrum ball	367407	1	.62
32-36	B, C, D, E, F (3-SPEED)	spring (steel, 1 I.D. $\times$ $1\frac{3}{4}$ O.D.)	367410	1	.22
37-39	ALL (3-SPEED),				
40-47	COMM. (3-SPD.)	spring (bronze, $1\frac{1}{2}$ I.D. $\times$ $1\frac{3}{8}$ O.D.)	590868	1	.22
37-39	ALL (3-SPEED),				
40-47	COMM. (3-SPD.)	RETAINER, fulcrum ball (center shift)	3656434	1	.38
29-54	ALL (4-SPEED)	CUP, spring ( $\frac{3}{4}$ I.D. $\times$ $1\frac{3}{4}$ O.D.)	590384	1	.17

**4.030 ROD—CABLE—BRACKET, Gearshift Reverse Latch (4-SPEED)**

41-46	ALL (exc. COE)	( $21\frac{1}{2}$ developed length)	591216	1	.33
47	ALL (exc. COE)	( $21\frac{5}{8}$ developed length)	591657	1	.33
39-46	COE	CABLE, reverse latch ( $38\frac{1}{4}$ O.L.)	3650754	1	1.80
47	COE	CABLE, reverse latch ( $41\frac{1}{2}$ O.L.)	3682884	1	2.30
39-47	COE	BRACKET, reverse latch rod	3650769	1	.06

**4.033 LATCH--STOP--LEVER--SPRING, Gearshift Reverse (4-SPEED)**

29-47	ALL		590386	1	.27
29-47	ALL	STOP, latch	590386	1	.06
29-47	ALL	LEVER, finger (2 1/4 overall length)	590389	1	.08
29-47	ALL	SPRING, finger lever (1 1/4 overall length)	590388	1	.08

**4.036 INDICATOR--LAMP--SPRING--DIAL--FRAME--COVER, Transmission Control**

50	PASS. w/P.G.		3694304	1	.27
51	PASS. w/P.G.	(dark grey)	3699039	1	.70
52	PASS. w/P.G.	(satin grey)	3699942	1	.70
53-54	PASS. w/P.G.				
54	COMM. w/A.T.	plastic	3701576	1	.05
54	PASS. w/P.G.	LAMP, indicator	986999	1	3.00
50-52	PASS. w/P.G.	SPRING, indicator retainer	3693786	1	.06
50-52	PASS. w/P.G.	DIAL ASSY., indicator	3696730	1	1.18
53-54	PASS. w/P.G.	DIAL, indicator	3701577	1	.47
54	COMM. w/A.T.	DIAL, indicator (clear lucite)	3705999	1	.50
53-54	PASS. w/P.G.	FRAME, dial (1 1/2 between hole centers)			
54	COMM. w/A.T.	(chrome)	3701578	1	.30
53-54	PASS. w/P.G.				
54	COMM. w/A.T.	COVER, upper support (2 5/8 O.L.)	3701575	1	.75
53-54	PASS. w/P.G.	SCREW, ind. dial frame (6-32 x 1/8)	454672	2	(8.977)

**4.041 LEVER--CLAMP, Gearshift Operating**

39	PASS.	inner (2 3/8 overall length)	3650254	2	.33
39	PASS.	outer (3 3/8 overall length)	3650281	2	.40
40-48	PASS.	assembly	591043	1	1.22
48-54	ALL (3-SPEED) (exc. FK, FI)	(2 7/8 ctr. to ctr. holes)	3686836	2	.60
50-54	PASS. w/P.G.	(outside control)	3692268	1	.57
53-54	PASS. w/P.G.	throttle valve control outer w/nut (5/8 x 2 3/4)	3703909	1	.20
54	COMM. w/A.T. (exc. D-D)	trans. shifter (forged 8615293) (36 teeth)	8615293	1	1.95
54	DUBL-DUTI w/A.T.	trans. shifter (forged 8615294) (36 teeth)	8615294	1	1.95
54	COMM. w/A.T.	trans. shifter (throttle control outer) (5 5/8 O.L.)	8611315	1	(4.286)
53-54	PASS. w/P.G.	CLAMP, lever (w/4 teeth in keyhole slot)	3703892	1	.20

**4.042 LINK, Gearshift Operating Lever**

39	PASS.	w/bushing	3650286	2	.40
----	-------	-----------	---------	---	-----

**4.043 PIN--WASHER, Gearshift Operating Lever and Link**

39	PASS.	clevis outer lever to oper. lever (1/4 x 5/8)	3650284	1	.03
39	PASS.	clevis control rod to oper. lever (5/8 x 1 1/8)	3650269	1	.03
39	PASS.	clevis, vac. cyl. to oper. lever (3/4 x 1 1/8)	3650377	1	.12
39	PASS.	clevis, inner and outer levers to operating lever (1/4 x 1/8)	138083	1	(8.942)
39	PASS.	WASHER, control rod to operating lever (3/8 I.D. x 1 3/8 O.D.)	838090	2	.02

**4.044 BOOT--BOLT--GROMMET, Gearshift Operating Lever**

39	PASS.	leather	3650243	1	.77
39	PASS.	(rubber--bellows type)	3650360	1	1.35
40-48	PASS.	(rubber--bellows type)	3654365	1	1.35
40-48	PASS.	metal (includes both halves)	604464	1	.77
40-48	PASS.	BOLT, boot (hex. hd., shoulder, 5/8 x 1 1/8 w/1/4 -20 thd.)	3652646	1	.08
40-48	PASS.	GROMMET, rubber, oper. lever (3/8 x 3/8 opg.)	3652647	1	.07

**4.045 CYLINDER--KIT, Gearshift Vacuum**

39	PASS.	assy.	608221	1	14.82
40-48	PASS.	assy.	3654372	1	14.85
40-48	PASS.	KIT, cylinder repair, consists of: valve, trunnion, pin, spring and boot	604475	1	4.62

**4.046 BRACKET--HOSE--PIPE--CUSHION--SEAT, Gearshift Cylinder**

41-48	PASS.	support	3657831	1	1.23
39-48	PASS.	HOSE, pipe to cyl. 17 1/2 long--cyl. to cleaner 11 long	609863	A.R.	(8.962)

39-48	PASS.....	PIPE, intake mfd. to vac. cyl. (cut 32 1/8 for 1939, 22 1/4 for 1940-48) (3/8 O.D. x 25 ft. roll)	3847897	A.R.	(8.964)
39-48	PASS.....	CUSHION (3/8 I.D. x 1 1/4 O.D. x 1/16 thick).....	3650270	2	.06
39-48	PASS.....	SEAT, cushion.....	3650332	2	.06
ALL	ALL.....	CLAMP, hose (1 1/4).....	111603	2	(1.166)
39-42	PASS. (exc. CONV.).....	TEE, pipe, ball sleeve.....	3650554	1	(10.154)
46-48	PASS.....	TEE, pipe, inverted flared (3/8).....	3682937	1	(10.154)
39-48	PASS.....	NUT, mounting (3/8-24 altd.).....	838283	1	(0.002)

#### 4.054 SWITCH ASSY., Transmission Control Safety

50-54	PASS. w/P.G. (exc. P.S.),				
54	COMM. w/A.T.....		1997845	1	1.89
53-54	ALL P/S w/P.G.....	(also w/Back-Up Switch on P/S).....	1998040	1	2.24

#### 4.058 CLEANER, Gearshift Cylinder Air

39	PASS.....	(snap on type).....	1529053	1	1.88
40-48	PASS.....	(bolt on type).....	1529372	1	.90

#### 4.072 VALVE ASSEMBLY, Gearshift Cylinder

39	PASS.....		3652369	1	2.86
----	-----------	--	---------	---	------

#### 4.073 SPRING, Gearshift Cylinder Valve

40-48	PASS.....	friction (steel wire).....	3655072	1	.12
-------	-----------	----------------------------	---------	---	-----

#### 4.077 SEAL, Gearshift Cylinder Piston

39	PASS.....	(leather) (3 1/4 I.D. x 4 O.D.).....	3650367	2	.89
----	-----------	--------------------------------------	---------	---	-----

#### 4.079 TRUNNION—PIN—SPRING, Gearshift Cylinder Piston Valve

40-48	PASS.....	assembly (2 overall length).....	3654052	1	.45
40-48	PASS.....	PIN, trunnion link (5/16 O.D. x 1 1/8 length).....	3654367	1	.12
40-48	PASS.....	SPRING, link pin retaining (hair pin type).....	3654381	2	.03

#### 4.081 SUPPORT, Transmission Mounting

32-36	BB, CB, DB, EB, FB.....	(6 length x 1 3/4 width overall) (riveted)...	368451	1	1.90
33-34	CC, DC.....	(6 1/2 length x 1 5/8 width overall) (riveted)	473464	1	1.90
34	DA.....	(14 length x 2 3/4 width overall).....	375624	1	3.02
35	EC.....	(18 length x 3 1/4 width overall).....	379015	1	3.78
35-36	EA, ED, FA, FD.....	(14 3/8 length x 1 5/8 width overall).....	377792	1	3.02
36	FC.....	(8 5/8 length x 6 3/8 width overall).....	476015	1	3.78
37-39	1/2 TON.....	(7 length x 4 3/8 width overall) (riveted)...	594117	1	3.02
37-39	PASS.....	(8 length x 4 5/8 width overall).....	593954	1	3.02
40-47	1/2 TON.....	(6 3/4 length x 4 1/2 width overall) (riveted)...	3652730	1	3.02
40-48	PASS.....		756100†	1	3.44
48-53	1/2 TON.....	(6 5/8 length x 4 7/8 width overall) (riveted)...	3688234	1	3.02
49-51	PASS. (exc. P.G.),				
50-51	CONV. w/P.G.....		3690316	1	3.44
50-51	PASS. w/P.G. (exc. CONV.).....	(molded 3690416).....	3690416	1	2.92
52-54	PASS.....	(molded 3704551).....	3704551*	1	2.25
54	1/2 TON w/A.T.....	(4 3/4 x 5 5/8 w/6 slots—riveted) (brkt. painted).....	3710610	1	3.85

\*NOTE: Requires Retainer 3704555 on 1952 and early 1953 models.

†NOTE: On 1940-46 PASS. use 3683693 lock.

#### 4.083 PLATE ASSY.—BRACKET—RETAINER, Transmission Mounting Support

34-36	DA, EC, FA, FB, FC.....	guide (4 3/8 length x 2 3/8 width overall)...	376460	1	.65
37-46	PASS.....	guide.....	593958	1	.65
50-51	PASS. w/P.G. (exc. CONV.).....	BRACKET.....	3690419	1	.82
52-53	PASS.....	RETAINER.....	3700335*	1	.63
53-54	PASS. (w/3704551).....	RETAINER.....	3704555	1	.63

\*NOTE: 3700335 must be used w/supt. that has 3703169 molded on upper surface.



**4.084 SHIM, Transmission Mounting Support**

37-53	1/2 TON,				
54	1/2 TON w/A.T.		3689606	A.R.	.06

**4.087 BOLT-STUD, Transmission Mounting Support**

34-36	PASS. (exc. DC)	to sub frame,			
37-41	PASS.	to cross member (3/8-24 x 1 1/8)	3653123	4	.13
40-48	PASS. (exc. CONV.)	to trans. (3/8-14 x 1 1/4) (use w/756100)	180151	2	(8.900)
34-36	PASS. (exc. DC)	STUD, to cross member,			
35	EA, ED	to ball retainer (3/8-14-20 x 2 1/4)	375709	2	.18
37-46	PASS.	STUD, to transmission (3/8-14-20 x 2 3/8)	593957	2	.18

**4.088 LOCK, Transmission Mounting Support Bolt**

33-53	1/2 TON		372699	1	.06
47-51	PASS. (exc. P.G.)		3683693	1	.17
50-51	PASS. w/P.G.	(3 1/8 long x 1 wide)	3690420	1	.07

**4.095 PLATE-PIN-SLEEVE, Gearshift Interlock**

29-47	ALL (4-SPEED)	shifter interlock	590512	1	.40
29-47	ALL (4-SPEED)	interlock guide	590513	1	.57
33-35	CC, DC, EC (3-SPEED)	shift guide	472946	1	3.37
36	FC (3-SPEED)	interlock guide	590808	1	.62
48-54	ALL (4-SPEED)	PIN (3/8 dia. x 1/8 overall)	591456	3	.07
54	COMM. (3-SPD.) (hvy. duty)	PIN, trans. interlock (1/4 O.D. x 3/8 O.L.)	3709315	1	.07
54	COMM. (3-SPD.) (hvy. duty)	SLEEVE, trans. interlock ("B" etched on end—1 O.L.)	3709313	1	.50
54	COMM. (3-SPD.) (hvy. duty)	SLEEVE, trans. interlock (1 1/4 O.L.)	3709311	1	.50

**4.097 INTERLOCK, Shifter**

32-36	BA, CA, DA, EA, ED, FA, FD (SYNCHRO-MESH)		590589	1	.37
37-39	ALL (3-SPEED) (ctr. shift),				
40-47	COMM. (3-SPEED)		590886	1	.55
41-48	PASS.	(see NOTE Group 4.105)	591190	1	.48
48-54	ALL (3-SPEED) (exc. FK, FJ)		3686833	1	.25
48-54	ALL (4-SPEED)		591455	1	.77

NOTE: 1939 PASS. interlock serviced only as part of Cover, Group 4.105.

**4.099 LEVER, Shifter Interlock**

41-48	PASS.	(see NOTE Group 4.105)	591235	1	.18
-------	-------	------------------------	--------	---	-----

**4.101 FLUID, Type "A" G.M. Automatic Transmission**

50-54	PASS. w/P.G.	(1 qt. can)	3694666	A.R.	.55
50-54	PASS. w/P.G.	(5 gal. can)	3694667	A.R.	11.00
50-54	PASS. w/P.G.	(55 gal. drum)	3694668	A.R.	121.00

**4.103 CASE, Transmission**

29-30	AC, AD (3-SPEED)	w/drain and filler plugs	353300	1	13.72
29-30	ALL (4-SPEED)	w/drain and filler plugs	590327	1	16.46
31	LT (4-SPEED)	w/drain and filler plugs	590455	1	16.46
31-47	ALL (4-SPEED) (exc. LT)	w/drain and filler plugs	590524	1	21.40
32-36	B, CA, CB, DB, EB, FB (3-SPEED)	w/drain and filler plugs	590531	1	14.25
33-34	CC, DC (3-SPEED)	w/drain and filler plugs	473207	1	10.71
34-36	DA, EA, ED, FA, FD (3-SPEED)	w/drain and filler plugs	590697	1	14.25
35-36	EC, FC (3-SPEED)	w/drain and filler plugs	601993	1	10.71
37-39	PASS. (3-SPEED)	w/drain and filler plugs (cast 590822)	590876	1	14.25
37-39	COMM. (3-SPEED)	w/drain and filler plugs (cast 590874)	590875	1	14.25
40	PASS. (3-SPEED)	w/drain and filler plugs	591093	1	14.25
40	COMM. (3-SPEED)	w/drain and filler plugs	591103	1	14.25
41-48	PASS. (3-SPEED)	w/drain and filler plugs	591192	1	14.25
41-47	COMM. (3-SPEED)	w/drain and filler plugs (cast 591195)	591194	1	14.25
48-52	ALL (4-SPEED)	w/drain and filler plugs (cast 591907)	591908	1	23.60

48-54	COMM. (3-SPEED)	w/drain and filler plugs (cast 591615)...	591631	1	15.35
49-54	PASS. (exc. P.G.)	w/drain and filler plugs (cast 591747)...	591746	1	14.25
50-52	PASS. w/P.G.	w/housing and spacer (cast 3693245 on hsg.—3692962 on case).....	3701156	1	37.86
53-54	PASS. w/P.G.	w/housing (cast 3702601 on hsg.).....	3703695	1	43.75
53-54	ALL (4-SPEED)	w/plugs (cast 591907).....	591954	1	23.60
54	COMM. (3-SPEED) (hvy. duty)	(forged T 89B-1).....	3709329	1	24.75
54	COMM. w/A.T.		8615429*	1	37.50

\*NOTE: Transmission Case and Center Brg. Cap are matched parts and must be kept together.

#### 4.104 BUSHING—BOLT—SHIM UNIT, Transmission

50-54	PASS. w/P.G.	BUSHING, case, rear ( $2\frac{1}{8}$ O.D. x $\frac{3}{8}$ long)...	3691924	1	.40
50-54	PASS. w/P.G.	BOLT, case to housing ( $\frac{3}{8}$ —16 x $1\frac{1}{8}$ ).....	445592	6	.06
50-54	PASS. w/P.G.	BOLT, case to housing ( $\frac{3}{8}$ —16 x $2\frac{1}{8}$ ).....	445553	1	.06
50-54	PASS. w/P.G.	BOLT, case to housing ( $\frac{3}{8}$ —16 x $3\frac{1}{8}$ ).....	445554	1	.13
49-53	ALL (3-SPD.)	SHIM UNIT, case to clutch housing (4—.002, 2—.008 and 1—.010 shims).....	3694977	A.R.	.17

#### 4.105 COVER—BOLT—PLATE—COLLECTOR, Transmission Case

32-36	BA, CA, DA, EA, ED, FA, FD (3-SPEED)	w/dust cap.....	363840	1	1.92
33-36	CC, DC, EC, FC (3-SPEED)	w/dust cap.....	601740	1	1.58
39	PASS. (3-SPEED) (strg. col. shift)	w/shift operating mechanism.....	603563	1	7.49
40-48	PASS. (3-SPEED)	only (see NOTE).....	591026*	1	1.92
48-54	ALL (3-SPEED) (exc. FK, FJ)	only.....	3686832	1	3.02
50-52	PASS. w/P.G.	left (on housing) (cast 3689911).....	3689911	1	1.26
50-54	PASS. w/P.G.	right (w/filler hole) (cast 3689912).....	3689912	1	1.58
29-31	L (4-SPEED)	w/interlock plates.....	352323	1	6.54
31-47	ALL (4-SPEED) (exc. L)	w/interlock plates.....	590527	1	7.25
48-54	ALL (4-SPEED)	w/interlock assy.....	3688962	1	7.63
53-54	PASS. w/P.G.	left (on housing) (cast 3702647).....	3702647	1	2.00
54	COMM. (3-SPD.) (hvy. duty)	(forged T 89B-148).....	3709340	1	4.75
54	COMM. w/A.T.		8614093	1	1.80
54	COMM. w/A.T.	BOLT, side pan lwr. edge w/flat washer ( $\frac{1}{4}$ — 20 x $1\frac{5}{8}$ ).....	8609489†	3	.08
37-39	ALL (3-SPEED)				
40-47	COMM. (3-SPEED)	PLATE, cover.....	590859	1	.86
48-54	ALL (4-SPEED)	COLLECTOR, chip ( $4\frac{5}{16}$ x $6\frac{11}{16}$ ).....	591589	1	.27
37-39	ALL (3-SPEED)				
40-47	COMM. (3-SPEED)	SCREW, shifter shaft lock and cover, front....	590863	2	(4.312)

\*NOTE: On 1940 models, it is necessary to use interlock 591190 and lever 591235.

†NOTE: Use 7 each 180016 (8.900), 121753 (8.932) for upper edge bolts.

#### 4.106 VALVE—SPRING—RETAINER, Transmission Line Exhaust

54	COMM. w/A.T.		8614794	1	.42
54	COMM. w/A.T.	SPRING, valve ( $1\frac{3}{4}$ O.L.).....	8614392	1	.25
54	COMM. w/A.T.	RETAINER, valve.....	8614174	1	.08

#### 4.107 SEAL—RETAINER, Gearshift Operating Shaft (Strg. Col.)

40-47	PASS.,				
48-54	ALL (3-SPEED)	cork, shaft (in cover).....	591660	2	.06
54	COMM. (3-SPD.) (hvy. duty)	oil, shift lever shaft (rubber— $\frac{3}{16}$ I.D. x $\frac{1}{2}$ O.D.).....	3709339	2	.15
40-47	PASS.,				
48-54	ALL (3-SPEED)	RETAINER, shaft seal (in cover).....	591099	A.R.	.02
48-54	ALL (3-SPEED) (exc. FK, FJ)	RETAINER, interlock ( $\frac{1}{2}$ x $4\frac{1}{8}$ long).....	591538	1	.13
48-54	ALL (3-SPEED) (exc. FK, FJ)	STUD, retainer ( $1\frac{1}{2}$ long w/2 thd. ends).....	591537	2	.18
48-54	ALL (3-SPEED) (exc. FK, FJ)	LOCK, ret. stud nut.....	591539	2	.05

#### 4.108 GASKET, Transmission Case Cover

32-36	BA, CA, DA, EA, ED, FA, FD (3-SPEED)		590590	1	.07
33-36	CC, DC, EC, FC (3-SPEED)		472942	1	.07
37-39	ALL (3-SPEED)				
40-47	COMM. (3-SPEED)		590862	1	.14
40-48	PASS. (3-SPEED)		591024	1	.12
48-54	ALL (3-SPEED) (exc. FK, FJ)	(fibre).....	591513	1	.14

31-47	ALL (4-SPEED) (exc. L)		608869	1	.14
48-54	ALL (4-SPEED)		591451	1	.14
50-52	PASS. w/P.G.	housing side cover, L.H. and R.H.,			
53-54	PASS. w/P.G.	R.H. only	3689910	A.R.	.06
53-54	PASS. w/P.G.	housing side cover, L.H.	3702649	1	.22
54	COMM. (3-SPD.) (hvy. duty)	(5 $\frac{1}{16}$ x 7 $\frac{5}{16}$ ) (9 holes $\frac{1}{16}$ )	3709316	1	.12
54	COMM. w/A.T.	side	8614176	1	.36

#### 4.110 PUMP ASSY., Torque Converter Secondary

50-52	PASS. w/P.G.		3694441	1	9.58
-------	--------------	--	---------	---	------

#### 4.112 RING—WASHER—ROLLER—RETAINER, Secondary Pump

50-52	PASS. w/P.G.	RING (1 $\frac{1}{2}$ I.D.) converter pump retaining	3689768	1	.06
50-52	PASS. w/P.G.	RING, stator race snap	3691801	1	(4.117)
50-52	PASS. w/P.G.	WASHER, w/internal teeth (1 $\frac{1}{4}$ O.D.)	3691568	1	.11
50-52	PASS. w/P.G.	WASHER, stator race thrust	3691800	1	(4.117)
50-52	PASS. w/P.G.	WASHER, secondary pump over-run thrust	3691803	1	(4.117)
50-52	PASS. w/P.G.	ROLLER UNIT, secondary pump	3694374	1	(4.117)
50-52	PASS. w/P.G.	RETAINER, secondary pump roller	3691802	1	(4.117)

#### 4.115 PUMP—TURBINE AND SMALL PARTS, Torque Converter Primary

50-52	PASS. w/P.G.	PUMP, primary w/cover (also includes primary pump hub, 2 drain plugs, 12 cover to pump housing bolts and L/washers)	3694360	1	39.75
53	PASS. w/P.G. (6 lug design)	PUMP, primary, w/housing and cover	3702752	1	29.15
54	PASS. w/P.G. (3 lug design)	PUMP, primary, w/housing and cover	3709448	1	32.50
50-52	PASS. w/P.G.	TURBINE (includes flange, washer, lock, hex. bolt and turbine bolt)	3691709	1	22.92
53-54	PASS. w/P.G.	TURBINE, w/hub	3702724	1	14.55
50-52	PASS. w/P.G.	HUB, pump, w/bushing (cast 3694487) (4 $\frac{1}{2}$ O.D.)	3692982	1	6.50
50-52	PASS. w/P.G.	BUSHING, turbine (1 $\frac{1}{2}$ O.D.)	3689929	1	.16
53-54	PASS. w/P.G.	BUSHING, cover hub (1 $\frac{1}{2}$ O.D. x $\frac{1}{16}$ wide)	3702079	1	.16
50-52	PASS. w/P.G.	SEAL, cover "O" ring (10 $\frac{1}{2}$ I.D.)	3689754	1	.60
53-54	PASS. w/P.G.	SEAL, "O" ring (12 I.D. x .139)	3702082	1	.85
50-52	PASS. w/P.G.	SEAL, turbine bolt "O" ring ( $\frac{1}{16}$ I.D.)	3689837	1	.12
50-52	PASS. w/P.G.	SEAL, primary pump "O" ring (4 $\frac{1}{2}$ I.D.)	3692860	1	.28
50-52	PASS. w/P.G.	WASHER, turbine rear thrust (1 I.D. x 2 $\frac{1}{16}$ O.D.)	3689925	1	.17
50-52	PASS. w/P.G.	WASHER, turbine front thrust (1 $\frac{1}{4}$ I.D. x 2 $\frac{1}{16}$ O.D.)	3691817	1	.33
50-52	PASS. w/P.G.	WASHER, turbine bolt lock (1 $\frac{1}{16}$ O.D.)	3689948	1	.11
50-52	PASS. w/P.G.	WASHER, turbine bolt plain (1 $\frac{1}{2}$ x $\frac{1}{16}$ )	3694418	1	.06
53-54	PASS. w/P.G.	WASHER, turbine thrust (1 $\frac{1}{4}$ I.D. x 2 $\frac{3}{4}$ O.D.)	3702718	1	.63
53-54	PASS. w/P.G.	WASHER, pump thrust	3709044	1	.85
50-52	PASS. w/P.G.	LOCK, turbine hub bolt (2 $\frac{1}{2}$ I.D. x 2 $\frac{1}{4}$ O.D.)	3691873	1	.11
52	PASS. w/P.G.	LOCK, turbine bolt ( $\frac{5}{16}$ I.D.)	3697543	1	.09
50-52	PASS. w/P.G.	BOLT, turbine to flange ( $\frac{5}{16}$ —24 x $\frac{3}{16}$ )	3691915	3	.06
53	PASS. w/P.G.	BOLT, cover to flywheel, w/lockwasher ( $\frac{5}{16}$ —24 x $\frac{1}{16}$ )	3702682	6	.07
53	PASS. w/P.G.	BOLT, cover to hsg. (rect. hd. $\frac{5}{16}$ —24 x 1)	3702760	18	.07
54	PASS. w/P.G.	BOLT, pump to hsg. (rect. hd. $\frac{5}{16}$ —24 x 1)	3703278	18	.07
54	PASS. w/P.G.	BOLT, cover to flywheel, w/lockwasher ( $\frac{3}{8}$ —24 x $\frac{1}{16}$ )	3708352	3	.07
50-52	PASS. w/P.G.	SCREW, primary pump hub attach. (10—32 x $\frac{3}{16}$ )	3691921	6	.06
50-51	PASS. w/P.G.	NUT, turbine bolt ( $\frac{5}{16}$ —24 x $\frac{1}{2}$ )	596772	1	.06
50-52	PASS. w/P.G.	NUT, turbine flanged ( $\frac{5}{16}$ —24)	3697544*	1	3.00
53-54	PASS. w/P.G.	NUT, cover to hsg. ( $\frac{5}{16}$ —24 castellated)	442812	18	.06
53	PASS. w/P.G.	NUT, anchor ( $\frac{5}{16}$ —24 "U" type)	3702309	6	.12
53-54	PASS. w/P.G.	NUT, anchor ( $\frac{3}{8}$ —24 "U" type)	3703277	3	.12
50-53	PASS. w/P.G.	PLUG, primary pump hsg. drain ( $\frac{1}{8}$ taper thd.)	3693352	2	.13

\*NOTE: When using 3697544, 181595 Bolt and 3697543 Lock must also be used.

#### 4.117 ROLLER—CAM—RETAINER—WASHER—RING, Stator

50-52	PASS. w/P.G.	ROLLER UNIT, primary stator over run	3694374*	1	.53
50-52	PASS. w/P.G.	ROLLER UNIT, secondary stator over run	3694601*	1	.53
53-54	PASS. w/P.G.	ROLLER UNIT, over run	3703804*	1	.75

\*NOTE: Consists of 8 rollers, 8 springs and 8 roller guides.

53-54	PASS. w/P.G.	CAM, over run (8 cams— $\frac{1}{8}$ x $3\frac{1}{4}$ O.D.)	3702099	1	2.95
50-52	PASS. w/P.G.	RETAINER, secondary stator roller and spring.	3692731	1	.27
50-52	PASS. w/P.G.	RETAINER, primary stator roller and spring...	3691802	1	.27
53-54	PASS. w/P.G.	RETAINER, cam roller and spring (8 tabs— $3\frac{1}{4}$ O.D.)	3702100	1	.27
50-52	PASS. w/P.G.	WASHER, secondary stator thrust ( $2\frac{1}{8}$ I.D. x $2\frac{1}{16}$ O.D.)	3691800	1	.47
50-52	PASS. w/P.G.	WASHER, primary and secondary stator over run thrust	3691803	2	.27
53	PASS. w/P.G. (1st design)	WASHER,			
53-54	PASS. w/P.G.	stator race frt. thrust (cast iron)	3703233	2	1.75
53-54	PASS. w/P.G. (2nd design)	WASHER UNIT, torque converter stator and pump thrust (use w/ $2\frac{1}{8}$ full spline depth)	3709886	1	2.50
53-54	PASS. w/P.G.	WASHER, over run cam thrust ( $2\frac{3}{16}$ I.D. x $3\frac{1}{4}$ O.D. x $\frac{1}{8}$ thk.)	3702103	1	.27
50-52	PASS. w/P.G.	RING, secondary stator thrust snap (2 O.D.)	3691801	1	.06
53-54	PASS. w/P.G.	RING, over run cam retaining ( $3\frac{1}{16}$ I.D. x $3\frac{1}{16}$ O.D. x $\frac{1}{16}$ thk.)	3702104	2	.07

#### 4.118 COVER ASSY.—SEAL—BOLT, Fluid Coupling

54	COMM. w/A.T.	( $12\frac{3}{4}$ O.D.)	8614280	1	26.32
54	COMM. w/A.T.	SEAL ( $11\frac{5}{16}$ I.D.)	8614291	1	1.15
54	COMM. w/A.T.	BOLT, cover ( $\frac{5}{16}$ — $24$ x $1\frac{1}{16}$ ) (copper flashed)	554303	14	.07

#### 4.119 STATOR—RACE, Torque Converter Primary and Secondary

50-52	PASS. w/P.G.	STATOR, primary	3694440	1	9.98
50-52	PASS. w/P.G.	STATOR, secondary	3694439	1	9.98
53-54	PASS. w/P.G.	STATOR ASSY. ( $2\frac{3}{4}$ x 7)	3702688	1	7.42
50-52	PASS. w/P.G.	RACE, stator	3692986	1	3.42
53-54	PASS. w/P.G.	RACE, stator (27 splines— $1\frac{15}{16}$ x $2\frac{3}{16}$ )	3702102	1	2.20

#### 4.121 TORUS ASSY., Transmission Fluid Coupling

54	COMM. w/A.T.	front, driven	8615141	1	15.50
54	COMM. w/A.T.	rear, drive	8615142	1	15.50
54	COMM. w/A.T.	VALVE, check ( $1\frac{15}{16}$ I.D. x $1\frac{1}{8}$ O.D.)	8613150	1	.96
54	COMM. w/A.T.	SPRING, check valve (4 active coils) ( $1\frac{15}{16}$ O.D. x $3\frac{1}{2}$ free length)	8609508	1	.12
54	COMM. w/A.T.	RETAINER, check valve ( $1\frac{1}{16}$ I.D. x $3\frac{1}{2}$ long w/2 holes $\frac{1}{4}$ dia.)	8610018	1	.13
54	COMM. w/A.T.	BOLT, valve retainer ( $\frac{1}{4}$ — $28$ x $1\frac{15}{16}$ selflocking)	8614818	2	.08

#### 4.123 SHAFT—RING—SHIM, Transmission Input

50-52	PASS. w/P.G.	( $12\frac{3}{4}$ long)	3689799	1	4.60
53-54	PASS. w/P.G.	(19 splines— $13\frac{1}{4}$ O.L.)	3702072	1	4.85
50-54	PASS. w/P.G.	RING, input shaft oil seal (1 O.D.—steel)	3689638	1	.58
53	PASS. w/P.G.	RING, shaft stop snap ( $\frac{5}{16}$ x $\frac{1}{2}$ O.D.)	3702734	1	.03
50	PASS. w/P.G.	SHIM, input shaft drive flange (.014— $2\frac{3}{16}$ I.D. x $3\frac{1}{2}$ O.D.)	3691922	A.R.	.17
50	PASS. w/P.G.	SHIM, input shaft drive flange (.019)	3691923	A.R.	.17

#### 4.124 SEAL, Transmission Case Cover

54	COMM. w/A.T.	front	8615318	1	.95
----	--------------	-------	---------	---	-----

#### 4.125 SEAL, Transmission Cover Oil

54	COMM. w/A.T.	front	8609473	1	1.75
----	--------------	-------	---------	---	------

#### 4.126 KEY, Transmission Front Pump

54	COMM. w/A.T.	drive gear	8609496	1	.16
----	--------------	------------	---------	---	-----

#### 4.127 RING, Transmission Oil Seal

54	COMM. w/A.T.	governor	8611053	4	.48
54	COMM. w/A.T.	delivery sleeve ( $\frac{5}{16}$ x 2)	8611253	4	.59



54	COMM. w/A.T.	rear accumulator piston ( $\frac{3}{16} \times 2\frac{3}{8}$ )	8611581	1	.47
54	COMM. w/A.T.	front servo band release piston ( $\frac{3}{16} \times 1\frac{3}{4}$ )	8611851	1	.58
54	COMM. w/A.T.	front oil pump cover ( $\frac{3}{8} \times 2\frac{3}{8}$ )	8613202	1	.76
54	COMM. w/A.T.	front servo piston ( $\frac{3}{16} \times 1\frac{1}{16}$ )	8614122	1	.51

#### 4.128 COOLER, Transmission Oil

50-54	PASS. w/P.G.		8514392*	1	7.97
54	1 TON w/A.T.	w/pan.	8522145	1	
54	1 TON D-D w/A.T.	PIPE, outlet w/bkt. (18 $\frac{1}{2}$ dev. length)	3710589	1	1.45
54	COMM. w/A.T.	HOSE, water pump to cooler outlet and inlet ( $\frac{3}{8}$ I.D. x 59 long)	3707975†	1	1.45

\*NOTE: For oil cooler outlet and inlet pipe cut 61" and 89" respectively from  $\frac{1}{16}$ " O.D. tubing group 8.964.

†NOTE: When using as inlet hose cut 6".

#### RING, Transmission Retainer and Snap

54	COMM. w/A.T.	reverse carrier to shaft ( $\frac{3}{16} \times 1\frac{11}{16}$ )	8606763	2	.10
54	COMM. w/A.T.	pump drive gear to carrier ( $\frac{3}{16} \times 2\frac{11}{16}$ )	8609422	1	.10
54	COMM. w/A.T.	driving fluid coupling snap, drive gear and front pump ( $\frac{3}{16} \times 1\frac{1}{16}$ )	8609434	6	.10
54	COMM. w/A.T.	front and rear clutch drum retainer ( $\frac{3}{16} \times 6\frac{3}{8}$ )	8609501	2	.36
54	COMM. w/A.T.	reverse unit piston retaining ( $\frac{1}{16} \times 2\frac{1}{8}$ )	8611980	1	.27
54	COMM. w/A.T.	driven fluid coupling retainer ( $\frac{1}{8} \times 2\frac{3}{16}$ )	8613260	1	.21
54	$\frac{1}{2}$ TON w/A.T.	rear brg. to trans. retainer ( $\frac{1}{16} \times 2\frac{3}{16}$ )	8612215	1	.16
54	$\frac{1}{2}$ TON w/A.T.	rear brg. to trans. mainshaft ( $\frac{1}{16} \times 1\frac{1}{16}$ )	8612243	1	.10
54	$\frac{3}{4}$ , 1 TON w/A.T.	rear brg. retaining ( $\frac{5}{16} \times 1\frac{3}{16}$ )	8614096	2	.10
54	$\frac{3}{4}$ , 1 TON w/A.T.	rear brg. to retainer ( $\frac{1}{16} \times 2\frac{3}{16}$ )	8614188	1	.10

#### 4.129 WASHER, Transmission Thrust

54	COMM. w/A.T.	mainshaft to output shaft (.055—.059) (stmp'd. 1)	8609191	1	.78
54	COMM. w/A.T.	mainshaft to output shaft (.063—.067) (stmp'd. 2)	8609192	1	.78
54	COMM. w/A.T.	mainshaft to output shaft (.071—.075) (stmp'd. 3)	8609193	1	.78
54	COMM. w/A.T.	mainshaft to output shaft (.079—.083) (stmp'd. 4)	8609194	1	.78
54	COMM. w/A.T.	mainshaft to output shaft (.087—.091) (stmp'd. 5)	8609195	1	.78
54	COMM. w/A.T.	mainshaft to output shaft (.095—.099) (stmp'd. 6)	8609196	1	.78
54	COMM. w/A.T.	mainshaft to output shaft (.103—.107) (stmp'd. 7)	8609197	1	.83
54	COMM. w/A.T.	mainshaft to output shaft (.111—.115) (stmp'd. 8)	8609198	1	.83
54	COMM. w/A.T.	front planet carrier and drive gear and front pump (bronze— $\frac{3}{16} \times 1\frac{3}{8} \times 1\frac{3}{16}$ )	8609511	A.R.	.72
54	COMM. w/A.T.	front drive gear front (steel)	8609487	1	.23
54	COMM. w/A.T.	drive gear and front pump (bronze— $\frac{3}{16} \times 1\frac{5}{8} \times 1\frac{1}{16}$ )	8609512	1	.72
54	COMM. w/A.T.	front clutch drive rear (steel)	8609455	1	.31
54	COMM. w/A.T.	reverse center gear (steel)	8608761	1	.31
54	COMM. w/A.T.	rear clutch hub (bronze)	8609497	A.R.	1.14
54	COMM. w/A.T.	reverse internal gear	8613114	1	.65
54	COMM. w/A.T.	reverse center gear (bronze)	8608658	1	.98
54	$\frac{3}{4}$ , 1 TON w/A.T.	rear clutch hub rear	8611869	1	.47

#### 4.131 PLATE, Transmission Center Bearing

54	COMM. w/A.T.	lock	8609426	1	.07
----	--------------	------	---------	---	-----

#### 4.132 SLEEVE, Transmission Case Oil

54	COMM. w/A.T.	filler	8611007	1	.31
----	--------------	--------	---------	---	-----

#### 4.133 TUBE—GAUGE—SEAL—INDICATOR, Transmission Oil Filler

50-54	PASS. w/P.G.	TUBE, oil filler	3689937	1	.65
50-54	PASS. w/P.G.	GAUGE, oil filler level w/breather	3697699	1	.58
50-54	PASS. w/P.G.	SEAL, oil filler "O" ring (1 I.D.)	3689940	1	.13
54	COMM. w/A.T.	INDICATOR, w/cap (stamp'd. 8605800)	8605800	1	.90

#### 4.158 GEAR, Transmission Front Drive

54	½ TON w/A.T.	(internal gear 5½ O.D.—60 teeth)	8613184	1	13.63
54	¾, 1 TON w/A.T.	(internal gear 4¾ O.D.—54 teeth)	8614443	1	13.65

#### 4.161 CARRIER, Transmission Planet

54	½ TON w/A.T.	front	8614293	1	35.03
54	¾, 1 TON w/A.T.	front	8615277	1	

#### 4.162 FLANGE ASSY.—DRUM ASSY., Low Sun Gear and Clutch

50-52	PASS. w/P.G.		3689720	1	4.14
53-54	PASS. w/P.G.	(stamped 220 on web of flange)	3703220	1	4.14
54	½ TON w/A.T.	DRUM ASSY., front trans. clutch	8611456	1	18.40
54	¾, 1 TON w/A.T.	DRUM ASSY., front trans. clutch	8614581	1	18.40
50-54	PASS. w/P.G.	RETAINER, flange (5½ O.D.)	3692094	1	.50
50-54	PASS. w/P.G.	RING, flange retainer (.073—5½)	3692316	A.R.	.18
50-54	PASS. w/P.G.	RING, flange retainer (.064—5½)	3692317	A.R.	.18
50-54	PASS. w/P.G.	RING, flange retainer (.055—5½)	3689706	A.R.	.18
50-54	PASS. w/P.G.	WASHER, low sun gear thrust (.095—1½ O.D.)	3694467	A.R.	.28
50-54	PASS. w/P.G.	WASHER, low sun gear thrust (.120—1½ O.D.)	3694468	A.R.	.28
50-54	PASS. w/P.G.	WASHER, low sun gear thrust (.145—1½ O.D.)	3694469	A.R.	.33

#### 4.163 PLATE, Transmission Clutch

50-54	PASS. w/P.G.	drive (8 internal splines)	3697540	4	1.10
50-52	PASS. w/P.G.	driven	3689707	5	.72
53-54	PASS. w/P.G.	driven (6 external splines)	3703210	5	.72
54	COMM. w/A.T.	front and rear (driven) (steel)	8603954	A.R.	.65
54	COMM. w/A.T.	front and rear (drive) (steel w/facing)	8609115	A.R.	1.15

#### 4.164 CLUTCH ASSY.—HUB—PIN—SPRING—SEAT—RING—WASHER, Transmission

50-52	PASS. w/P.G.		3694476	1	22.50
53-54	PASS. w/P.G.	(stamp'd. 220)	3702826	1	22.50
50-54	PASS. w/P.G.	HUB, clutch drive	3689749	1	1.35
54	COMM. w/A.T.	PIN, rear clutch spring guide	8609070	6	.10
50-51	PASS. w/P.G.	SPRING, clutch piston release (see Note I)	3689712	1	.90
51-52	PASS. w/P.G.	SPRING, clutch piston release (see Note II)	3692698	1	1.27
53-54	PASS. w/P.G.	SPRING, trans. clutch (2¾ I.D. x 3¾ O.L.)	3703248	1	1.35
54	COMM. w/A.T.	SPRING, clutch release (inner)	8609071	12	.10
54	COMM. w/A.T.	SPRING, clutch release (outer)	8609072	12	.10
50-51	PASS. w/P.G.	SEAT, spring (3½ O.D.) (see Note I)	3689709	1	.17
51-54	PASS. w/P.G.	SEAT, spring (see Note II)	3692699	1	.17
50-51	PASS. w/P.G.	RING, spring snap (3⅝ I.D.) (see Note I)	3689711	1	.06
51-54	PASS. w/P.G.	RING, spring snap (see Note II)	3692700	1	.06
50-54	PASS. w/P.G.	WASHER, clutch hub thrust (1⅝ I.D. x 3 O.D.)	3694444	1	.28

NOTE I: For use w/clutch having clutch valve and spring on front face.

NOTE II: For use w/clutch having ball valve in piston.

#### 4.166 PISTON—SEAL, Transmission Clutch

50-51	PASS. w/P.G.	(see Note I)	3691594	1	1.62
51-52	PASS. w/P.G.	(see Note II)	3694477	1	2.65
53-54	PASS. w/P.G.		3702919	1	2.65
54	COMM. w/A.T.	front (aluminum)	8611259	1	4.98
54	½ TON w/A.T.	rear (aluminum)	8611520	1	5.19
54	¾, 1 TON w/A.T.	rear (aluminum)	8611260	1	4.99
54	COMM. w/A.T.	reverse	8611934	1	7.82
50-52	PASS. w/P.G.	SEAL, piston outer ring (4⅝ I.D.)	3689710	1	.55
50-54	PASS. w/P.G.	SEAL, piston inner ring (2⅝ I.D.)	3689713	1	.28
53-54	PASS. w/P.G.	SEAL, piston outer (rubber) (4⅝ I.D.)	3702920	1	.55

54	COMM. w/A.T.	SEAL, piston (w/expander)	8611029*	2	1.45
54	COMM. w/A.T.	SEAL UNIT, reverse piston	8613275	1	2.36
51-54	PASS. w/P.G.	BALL, pressure relief valve (3/16) (see Note II)	7002117	1	(3.825)

NOTE I: For use w/clutch having clutch valve and spring on front face.

NOTE II: For use w/clutch having ball valve in piston.

\*NOTE: Consists of 2 seals, 1 inner and 1 outer expander for 1 piston.

#### 4.169 DRUM—RING, Transmission Clutch

50-52	PASS. w/P.G.	w/bushing	3696293*	1	4.57
53-54	PASS. w/P.G.	w/bushing	3702914	1	4.57
54	COMM. w/A.T.	front (w/3 clutch drive pins)	8611448	1	11.08
50-54	PASS. w/P.G.	RING, clutch drum oil seal (2 O.D.—steel)	3689808	2	.80
50-54	PASS. w/P.G.	WASHER, drum thrust (bronze)	3697501	1	(4.190)
50-51	PASS. w/P.G.	VALVE UNIT, drum pressure relief	3694912	1	.27

\*NOTE: Use w/clutch having ball valve in piston.

#### 4.172 SHAFT, Transmission Main

54	1/2 TON w/A.T.	w/gear	8614289	1	19.46
----	----------------	--------	---------	---	-------

#### 4.173 NUT—WASHER, Transmission Main Shaft

54	COMM. w/A.T.	NUT, fluid coupling (hex. 3/8—16 x 1 1/16)	8609425	1	.36
54	COMM. w/A.T.	WASHER, fluid coupling nut lock (2 3/16 I.D. x 1 3/4 O.D.—steel)	8613734	1	.12

#### 4.175 CARRIER ASSY., Transmission Planet

50-54	PASS. w/P.G.	(complete)	3702061	1	35.23
50-54	PASS. w/P.G.	GEAR, reverse sun	3689703	1	2.00
50-54	PASS. w/P.G.	PINION, long	3689702	3	2.27
50-54	PASS. w/P.G.	PINION, short	3689718	3	2.65

#### 4.176 PLANET CARRIER SMALL PARTS

50-54	PASS. w/P.G.	BEARING, long and short pinion needle	3689731	240	.01
50-54	PASS. w/P.G.	SPACER, long and short pinion needle brg.	3689732	6	.07
50-54	PASS. w/P.G.	WASHER, pinion thrust (2 holes 1/2 I.D.)	3689719	6	.12
50-54	PASS. w/P.G.	WASHER, rev. sun gear thrust (1/2 x 1 1/2)	3689834	1	.28
50-54	PASS. w/P.G.	PLATE, pinion shaft lock (3—1/4 holes)	3694428	1	.17
50-54	PASS. w/P.G.	SCREW, lock plate (12—24 x 1/4)	3694432	3	.06
54	COMM. w/A.T.	ROLLER, frt. needle brg. (3/4 O.D. x 3/4 O.L.)	440483	19	.04

#### 4.179 SLEEVE, Transmission Oil Delivery

54	COMM. w/A.T.	front drum	8611654	1	5.89
----	--------------	------------	---------	---	------

#### 4.184 DRUM ASSY., Transmission Clutch

54	COMM. w/A.T.	rear (3 pin type)	8611652	1	7.02
----	--------------	-------------------	---------	---	------

#### 4.186 HUB—WASHER, Transmission Clutch

54	1/2 TON w/A.T.	rear (w/washer)	8615451	1	6.50
54	3/4, 1 TON w/A.T.	rear	8615144	1	6.50
54	COMM. w/A.T.	WASHER, rear hub thrust (1 3/4 O.D.) (tang on I.D.)	8615419	1	.20

#### 4.187 DRUM ASSY.—GEAR, Transmission Brake

54	COMM. w/A.T.	rear (w/drive pins)	8613990	1	9.07
54	COMM. w/A.T.	GEAR, rear clutch (internal)	8613824	1	16.02

#### 4.188 CONE—KEY—SPRING—RETAINER, Transmission Reverse Clutch

54	COMM. w/A.T.	CONE, stationary	8611937	1	3.75
54	COMM. w/A.T.	KEY, stationary cone	8611936	1	.21
54	COMM. w/A.T.	SPRING, release	8615314	1	.40
54	COMM. w/A.T.	SPRING, piston release (coil type)	8611958	6	.27

54	3/4, 1 TON w/A.T.	SPRING, pressure regulator valve (chrome silicon steel wire)	8615281	1	.40
54	COMM. w/A.T.	RETAINER, piston release spring (4 1/8 O.D.)	8611985	1	.32
54	COMM. w/A.T.	RETAINER, release spring	8615316	1	.50
<b>4.190 DRUM ASSY., Planet Reverse</b>					
50-53	PASS. w/P.G. (1st design)	w/ring gear (bushing full depth)	3691874	1	5.09
53-54	PASS. w/P.G. (2nd design)	w/ring gear (bushing 1/8 below rear surface)	3703240	1	5.09
50-54	PASS. w/P.G.	WASHER, reverse drum thrust (2 1/8 O.D.)	3697501	1	.37
<b>GEAR, Reverse Center</b>					
54	COMM. w/A.T.	w/flange	8608765	1	7.69
<b>4.192 CARRIER ASSY., Transmission Planet</b>					
54	COMM. w/A.T.	reverse	8611960	1	21.48
<b>4.193 GEAR UNIT, Reverse</b>					
54	COMM. w/A.T.	internal, w/spring	8615449	1	19.20
<b>4.195 PAN, Transmission Oil</b>					
54	1/2, 3/4 TON w/A.T.		8608630	1	3.67
54	COMM. w/A.T.	PLUG, w/gasket	1307238	1	.25
54	COMM. w/A.T.	GASKET, fibre (5/8 I.D. x 1 1/8 O.D. x 3/16)	1307237	1	.08
54	1 TON w/A.T.	COOLER, w/pan	8922148	1	(4.128)
<b>4.196 GASKET, Transmission Oil Pan</b>					
54	COMM. w/A.T.		8608910	1	.36
<b>4.197 PIPE ASSY., Oil Supply Pump Suction</b>					
50-54	PASS. w/P.G.	w/seal and screen	3697574	1	1.77
50-54	PASS. w/P.G.	SEAL, pipe (1 3/8 O.D.)	3689919	1	.10
<b>4.200 PUMP ASSY., Transmission Oil Supply</b>					
50-52	PASS. w/P.G.	front	3692987	1	15.95
50-52	PASS. w/P.G.	rear	3689872	1	12.42
53-54	PASS. w/P.G.	front (2 1/8 full spline depth)	3703256*	1	15.95
53-54	PASS. w/P.G.	rear	3702053	1	12.42
54	COMM. w/A.T.	rear	8614701	1	21.37
*NOTE: When using 3703256 in place of Pump Assy. w/1 5/8 full spline depth, replace rear thrust washer by 3703250.					
<b>4.203 OIL SUPPLY PUMP PARTS</b>					
50-52	PASS. w/P.G.	COVER, front pump, w/shaft and sleeve	3692988	1	5.09
50-52	PASS. w/P.G.	COVER, rear pump (5 cavities) (4 1/8 O.D.)	3689874	1	2.91
53	PASS. w/P.G. (1st design)	COVER, front pump, 1 5/8 full spline depth	3702735	1	4.55
53-54	PASS. w/P.G. (2nd design)	COVER, front pump, 2 1/8 full spline depth	3703255	1	4.55
53-54	PASS. w/P.G.	COVER, rear pump (6 cavities) (4 1/8 O.D.)	3702054	1	2.91
54	COMM. w/A.T.	COVER, rear	8614704	1	.80
54	COMM. w/A.T.	BOLT, rear (1/4-20 x 1/2)	8614824	4	.12
50-52	PASS. w/P.G.	SEAL, front oil pump body oil (2 1/8 I.D.) (stamped 3689758)	3689758	1	.92
53-54	PASS. w/P.G.	SEAL, front pump body oil (2 I.D.) (stamped 3702068)	3702068	1	.92
50-54	PASS. w/P.G.	SEAL, front oil pump body "O" ring (4 3/8 I.D.)	3689826	1	.33
50-52	PASS. w/P.G.	RING, front oil pump sealing (1 1/8 O.D. steel)	3689775	1	.62
50-52	PASS. w/P.G.	GASKET, rear pump (2 1/2 I.D. x 4 1/8 O.D.—7 holes)	3689875	1	.14
53-54	PASS. w/P.G.	GASKET, rear pump (2 1/2 I.D. x 4 1/8 O.D.—8 holes)	3702055	1	.14
50-54	PASS. w/P.G.	BEARING, rear oil pump (ND 3205)	903205	1	(4.408)
50-54	PASS. w/P.G.	PLATE, rear oil pump brg. lock (1 1/8 I.D.)	3694475	1	.22



**4.205 DIAPHRAGM—COVER—SPRING, Vacuum Modulator**

50-54	PASS. w/P.G.	DIAPHRAGM ASSY., vac. modulator (nylon)	3697533	1	1.20
50-54	PASS. w/P.G.	COVER, diaphragm (cast 3692971)	3692971	1	.82
50-54	PASS. w/P.G.	SPRING, diaphragm (4 active coils)	3691669	1	.22
50-54	PASS. w/P.G.	SCREW, diaphragm cover (10-24 x 5/8)	132046	6	(8.907)

NOTE: For Vac. Modulator Pipe cut 45 1/4" from 1/4" O.D. tubing group 8.964.

**4.208 HOUSING—PISTON—LEVER, Hydraulic Modulator**

50-54	PASS. w/P.G.	HOUSING (cast 3697577)	3697577*	1	2.90
50-54	PASS. w/P.G.	PISTON (5/8 O.D. x 5/8 O.L.)	3697578	2	.28
50-54	PASS. w/P.G.	LEVER ASSY., modulator control	3692968	1	.45
50-54	PASS. w/P.G.	PIN, control lever guide (1/4 x 1 1/2)	3692970	1	.06
50-54	PASS. w/P.G.	PIN, control lever fulcrum (3/16 x 2 1/4)	424286	1	.06
50-54	PASS. w/P.G.	GASKET, modulator housing	3692975	1	.18

\*NOTE: When Housing and Plunger Unit (cast 3692974) is replaced by 3697577 Housing on 1950-53 models it is also necessary to use 2 of 3697578 Piston.

**4.210 GEAR, Transmission Pump Drive**

54	COMM. w/A.T.	rear (bronze)	8609428	1	5.09
----	--------------	---------------	---------	---	------

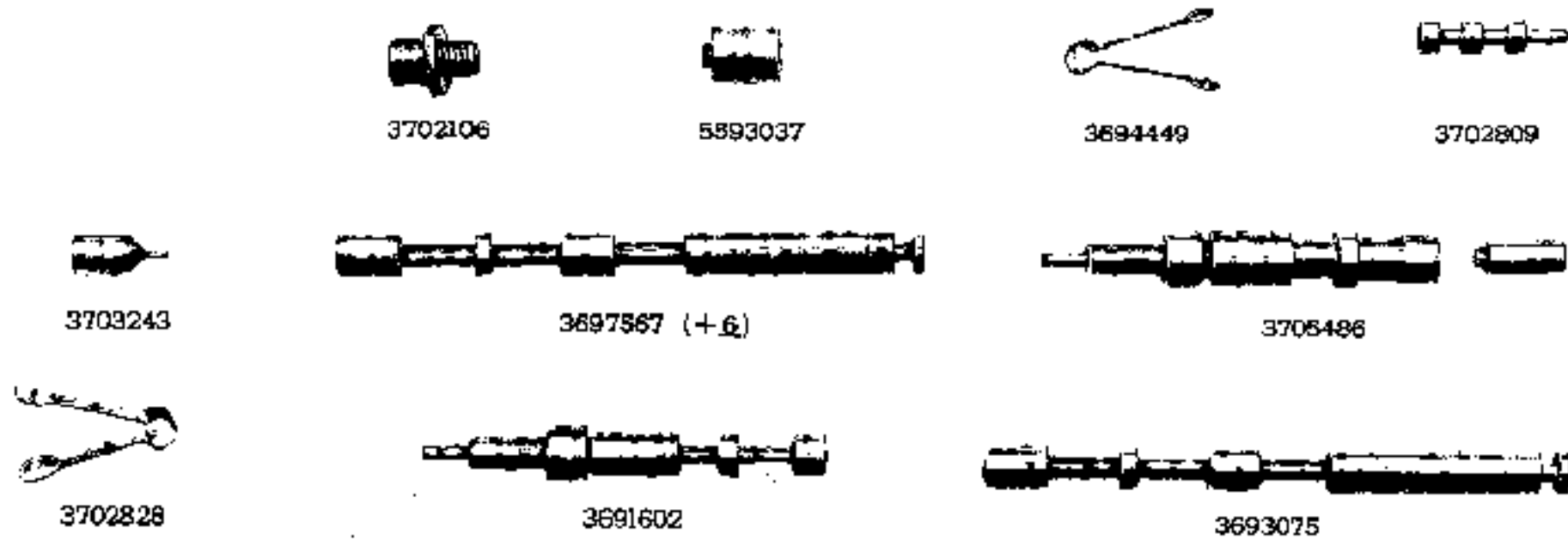
**4.211 GEAR, Transmission Oil Pump Driven**

54	COMM. w/A.T.	rear, w/pins (steel)	8610744	1	3.55
54	COMM. w/A.T.	PIN, rear (3/16 x 7/8)	103723	1	(8.939)

**4.212 COVER ASSY., Servo**

50-54	PASS. w/P.G.	(cast 3697555)	3697554	1	6.85
50-51	PASS. w/P.G. (1st design)	SLEEVE, cover locating (.840 x 3/16)	3692965	1	.11
51-54	PASS. w/P.G. (2nd design)	SLEEVE, cover locating (.840 x 3/16)	3697516	1	.11
50-54	PASS. w/P.G.	GASKET, servo cover	3697536	1	.34

**4.216 BODY ASSY.—VALVE—VALVE PARTS, Transmission**



50-52	PASS. w/P.G.	BODY ASSY., valve (cast 3694443)	3694445	1	15.31
53-54	PASS. w/P.G.	BODY ASSY., valve	3703298	1	15.75
50-52	PASS. w/P.G.	VALVE, frt. and rear pump check (1/2 dia. tab)	3694449	1	.22
53-54	PASS. w/P.G.	VALVE, frt. and rear pump check (5/8 dia. tab)	3702828	1	.22
50-52	PASS. w/P.G.	VALVE, pressure regulator (4 3/8 O.L. w/ largest O.D. 1 1/2 long)	3691602	1	.77
53-54	PASS. w/P.G.	VALVE UNIT, press. regulator, w/plunger	3705486	1	1.25
53-54	PASS. w/P.G.	VALVE, press. reg. governor (1 1/2 O.L.)	3702809	1	.55
53-54	PASS. w/P.G.	VALVE, press. reg. (angle shoulder—1 1/2 O.L.)	3703243	1	.30
50-54	PASS. w/P.G.	VALVE, manual (6 7/8 O.L.) (std.)	3693075	1	.77
52-54	PASS. w/P.G.	VALVE, manual (.006 O.S.—stamped (" + 6")	3697567	1	.77
53	PASS. w/P.G.	VALVE, clutch low servo, w/springs (1 1/8 x 1 1/2)	5593037	1	.73
53-54	PASS. w/P.G.	VALVE, lub. press. relief (1/8 pipe thd., 3/4 hex. w/cap—1 O.L.)	3702106	1	.50
54	PASS. w/P.G.	VALVE, clutch low servo (2 1/2 x 1 1/2)	3703265	1	.45
54	COMM. w/A.T.	VALVE, pressure regulator (w/ cushion)	8614378	1	1.05
50-54	PASS. w/P.G.	SPRING UNIT, pressure reg. valve (1 inner, 1 outer)	3704240	1	.26

50-54	PASS. w/P.G.	SPRING, lubrication by-pass (7 coils)	3691684	1	.06
53-54	PASS. w/P.G.	SPRING, press. reg. valve ( $\frac{3}{8}$ x $1\frac{1}{8}$ )	3703242	1	.08
53-54	PASS. w/P.G.	SPRING, pressure reg. governor valve ( $\frac{3}{8}$ O.D. x $\frac{1}{8}$ O.L.)	3702609	1	.07
53-54	PASS. w/P.G.	SPRING UNIT, low and drive valve (1 inner, 1 outer)	3704242	1	.18
54	$\frac{1}{2}$ TON w/A.T.	SPRING, pressure regulator valve	8614298	1	.41
54	$\frac{1}{2}$ TON w/A.T.	SEAL, pressure regulator plug	8611804	1	.16
50-53	PASS. w/P.G.	THERMOSTAT, by-pass valve ( $3\frac{3}{8}$ O.L.)	3691683	1	.73
54	PASS. w/P.G.	THERMOSTAT, by-pass valve ( $3\frac{11}{16}$ O.L. w/1 hole $\frac{1}{16}$ dia.)	3709006	1	.75
50-54	PASS. w/P.G.	RETAINER, thermostat ( $1\frac{3}{8}$ O.L.)	3691685	1	.06
50-54	PASS. w/P.G.	PLUG, by-pass valve spring ( $\frac{11}{16}$ —16)	3692266	1	.17
53-54	PASS. w/P.G.	PLUG, P/R valve to gov. (hex. hd.— $\frac{1}{16}$ thd.)	444606	1	(8.971)
54	$\frac{1}{2}$ TON w/A.T.	PLUG, press. reg. (w/gaskets and seals)	8614133	1	3.15
54	$\frac{3}{4}$ , 1 TON w/A.T.	PLUG, pressure regulator	8614937	1	3.15
50-54	PASS. w/P.G.	GASKET, valve spring plug ( $\frac{11}{16}$ I.D. x $\frac{15}{16}$ O.D.)	3694419	1	.06
54	COMM. w/A.T.	GASKET, pressure regulator plug	8611627	1	.16
53-54	PASS. w/P.G.	RING, clutch low servo valve retaining ( $\frac{11}{16}$ O.D.)	3697570	1	.03
53-54	PASS. w/P.G.	PIN, valve spring stop ( $\frac{1}{8}$ x 1)	453676	2	(8.939)

#### 4.217 GASKET—STOP—SPRING—VALVE—WASHER—RING—BOLT, Transmission Valve Body

50-52	PASS. w/P.G.	valve body and case to housing	3693098	1	.62
53-54	PASS. w/P.G.	valve body and case to housing	3702339	1	.62
50-54	PASS. w/P.G.	valve body to case	3694448*	1	.74
50-53	PASS. w/P.G.	STOP, oil accumulator piston ( $\frac{3}{4}$ x $1\frac{3}{8}$ )	3693090	1	.11
50-53	PASS. w/P.G.	SPRING, accumulator piston inner	3693094	1	.17
50-53	PASS. w/P.G.	SPRING, accumulator piston outer	3693093	1	.28
50-53	PASS. w/P.G.	SPRING, oil accumulator valve ( $\frac{1}{4}$ O.D.)	3693092	1	.06
50-53	PASS. w/P.G.	VALVE, oil accumulator ( $\frac{3}{8}$ O.D. x $\frac{11}{16}$ O.L.)	3693088	1	.22
50-53	PASS. w/P.G.	WASHER, valve spring ( $1\frac{1}{8}$ O.D.)	3693091	1	.06
50-53	PASS. w/P.G.	RING, valve spring washer snap ( $1\frac{1}{8}$ O.D.)	3693095	1	.06
50-54	PASS. w/P.G.	BOLT, frt. oil pump to valve body attach. ( $\frac{1}{2}$ —20 x $1\frac{15}{16}$ )	445548	5	.06
50-54	PASS. w/P.G.	BOLT, valve body to transmission housing attaching ( $\frac{1}{4}$ —20 x $1\frac{3}{8}$ )	180033	3	.07

\*NOTE: 3694448 must only be used w/Valve Body 3694445.

#### 4.218 LEVER—SEAL—SPACER, Manual Valve

50-54	PASS. w/P.G.	housing	3697508	1	.85
50-54	PASS. w/P.G.	SEAL, lever shaft oil ( $\frac{3}{8}$ O.D.)	3689866	1	.17
50-54	PASS. w/P.G.	SPACER, lever ( $\frac{1}{4}$ thick x 1 O.D.)	3689941	1	.13

#### 4.220 SHAFT ASSY., Parking Lock Lever

50-51	PASS. w/P.G.	w/levers and spring	3697514	1	4.05
52-54	PASS. w/P.G.	w/lever	3697552	1	3.52
50-54	PASS. w/P.G.	PAWL, park lock (3 teeth)	3694490	1	1.08
50-54	PASS. w/P.G.	SHAFT, park lock pawl ( $5\frac{1}{4}$ )	3689882	1	.32
50-54	PASS. w/P.G.	SPRING, park lock pawl coil ( $3\frac{3}{4}$ long)	3694488	1	.27

#### 4.222 PIPE, Transmission Oil Pump Inlet

54	$\frac{1}{2}$ , $\frac{3}{4}$ TON w/A.T. (w/o O.C.)	front, suction ( $\frac{3}{2}$ O.D.—steel tubing)	8613234	1	2.23
54	1 TON w/A.T. (w/O.C.)	front suction	8615298	1	

#### 4.223 GASKET, Transmission Pump

54	COMM. w/A.T.	front intake pipe ( $\frac{5}{8}$ I.D.)	8613199	1	.40
----	--------------	---	---------	---	-----

#### 4.224 SCREEN ASSY., Transmission Oil

54	$\frac{1}{2}$ , $\frac{3}{4}$ TON w/A.T. (w/o O.C.)		8613216	1	1.74
54	1 TON w/A.T. (w/O.C.)		8615412	1	

#### 4.225 CYLINDER, Transmission Servo

54	COMM. w/A.T.	front band release	8614777	1	2.23
----	--------------	--------------------	---------	---	------

**4.226 BODY—PUMP—VALVE—SPRING, Transmission Front Servo**

54	COMM. w/A.T.	BODY	8614833	1	9.00
54	COMM. w/A.T.	PUMP ASSY., oil (includes seals, rings and gears)	8613262	1	30.00
54	COMM. w/A.T.	VALVE, oil pump relief	8613900	1	.45
54	COMM. w/A.T.	SPRING, oil pump relief valve	8613898	1	.27
54	COMM. w/A.T.	SPRING, oil pump priming (inner)	8616198	1	.15
54	COMM. w/A.T.	SPRING, oil pump priming (outer)	8616199	1	.12
54	COMM. w/A.T.	SPRING, check valve	8611744	1	.10
54	COMM. w/A.T.	GUIDE, oil pump relief valve spring	8613899	1	.17
54	COMM. w/A.T.	BOLT, pump cover (w/washers)	8614360	1	.55
54	COMM. w/A.T.	WASHER, pump locating	8609486	1	.10

**4.227 BODY ASSY.—VALVE, Transmission Front Servo Over-Run**

54	COMM. w/A.T.	BODY ASSY.	8614884	1	3.95
54	COMM. w/A.T.	VALVE, control	8614793	1	.46
54	COMM. w/A.T.	SPRING, control valve	8614791	1	.20
54	COMM. w/A.T.	PLUG, valve	8614142	1	.35

**4.228 PISTON—ROD—RETAINER—SPRING—RING—WASHER, Low Servo**

50-52	PASS. w/P.G.	PISTON ASSY., w/rod (3 <sup>13</sup> / <sub>16</sub> ) (casting)	3694460	1	2.12
53-54	PASS. w/P.G.	PISTON (casting) (3 <sup>15</sup> / <sub>16</sub> O.D. x 1 <sup>5</sup> / <sub>16</sub> high)	3702801	1	1.37
54	1/2 TON w/A.T.	PISTON ASSY., front servo	8614851	1	5.85
54	3/4, 1 TON w/A.T.	PISTON ASSY., front servo	8614779	1	5.95
54	COMM. w/A.T.	PISTON, band release	8611849	1	.66
53-54	PASS. w/P.G.	ROD, piston (3 <sup>5</sup> / <sub>8</sub> O.L.)	3702802	1	.90
53-54	PASS. w/P.G.	RETAINER, piston rod ("C" shape)	3702803	1	.03
50	PASS. w/P.G.	SPRING, piston return (1 <sup>3</sup> / <sub>16</sub> O.D.—use w/ stamped piston)	3689840	1	.37
50-52	PASS. w/P.G.	SPRING, piston return (1 <sup>3</sup> / <sub>16</sub> O.D.—use w/cast piston)	3694463	1	.78
53-54	PASS. w/P.G.	SPRING, piston apply (3/8 I.D. x 1 <sup>5</sup> / <sub>16</sub> O.D. x 1 <sup>1</sup> / <sub>4</sub> O.L.)	3702805	1	.12
53-54	PASS. w/P.G.	SPRING, piston return (3 <sup>1</sup> / <sub>2</sub> I.D. x 1 <sup>1</sup> / <sub>2</sub> O.D. x 2 O.L.)	3702804	1	.45
50-54	PASS. w/P.G.	RING, piston (3 <sup>1</sup> / <sub>4</sub> O.D.)	3689791	1	.33
53-54	PASS. w/P.G.	SEAT, piston apply spring (3/8 O.D. x 1/16 thk.)	3702807	1	.01

**4.233 STRUT—ANCHOR—SPRING, Low Brake Band**

50-51	PASS. w/P.G. (1st design)	STRUT ASSY., anchor (2 <sup>1</sup> / <sub>8</sub> long)	3692046	1	.22
51-54	PASS. w/P.G. (2nd design)	STRUT, anchor (1 <sup>1</sup> / <sub>16</sub> long x 2 <sup>1</sup> / <sub>4</sub> )	3702911	1	.22
50-51	PASS. w/P.G. (1st design)	STRUT, apply (1 <sup>1</sup> / <sub>4</sub> x 1 <sup>3</sup> / <sub>4</sub> long)	3692048	1	.11
51-54	PASS. w/P.G. (2nd design)	STRUT, apply (1 <sup>5</sup> / <sub>8</sub> x 1 <sup>1</sup> / <sub>8</sub> long)	3702910	1	.22
50-54	PASS. w/P.G.	ANCHOR, strut (1 <sup>3</sup> / <sub>16</sub> long)	3691044	1	.22
50-54	PASS. w/P.G.	SPRING, apply strut guide (1 <sup>1</sup> / <sub>16</sub> I.D.—6 <sup>1</sup> / <sub>2</sub> coils)	3694451	1	.11

**SPRING, Transmission Front Servo**

54	1/2 TON w/A.T.	booster	8609474	1	.20
54	3/4, 1 TON w/A.T.	booster	8614816	1	.24
54	COMM. w/A.T.	retracting	8609449	1	.06

**4.234 VALVE—RETAINER, Transmission Shift**

54	COMM. w/A.T.	VALVE, 3rd and 4th	8614792	1	.70
54	COMM. w/A.T.	RETAINER, front servo release spring	8611848	1	.22

**4.236 LEVER, Transmission Band**

54	COMM. w/A.T.	rear actuating	8609600	1	1.61
----	--------------	----------------	---------	---	------

**4.237 PIN, Transmission Servo Band Actuating Lever**

54	COMM. w/A.T.	clevis (3/8 x 1 <sup>5</sup> / <sub>8</sub> )	8613172	1	.32
----	--------------	---	---------	---	-----

**4.239 BODY, Transmission Rear Servo**

54	COMM. w/A.T.	BODY	8613142	1	7.23
54	COMM. w/A.T.	GASKET, body	8613159	1	.19

#### 4.241 PISTON, Reverse Servo

50-54	PASS. w/P.G.	reverse servo (3 $\frac{1}{4}$ O.D.)	3694462	1	1.37
54	COMM. w/A.T.	rear servo booster (w/stem)	8610752	1	2.14
54	COMM. w/A.T.	rear servo accumulator (w/stem)	8610751	1	2.57
50-54	PASS. w/P.G.	ROD, servo piston (4 long)	3691676	1	.50
50-54	PASS. w/P.G.	SPRING, piston return (2 $\frac{3}{4}$ O.D.)	3691677	1	.28
50-54	PASS. w/P.G.	SPRING, piston apply (1 $\frac{5}{8}$ LD.)	3691678	1	.28
50-54	PASS. w/P.G.	RETAINER, apply spring (1 $\frac{5}{8}$ O.D.)	3691679	1	.33
50-54	PASS. w/P.G.	KEY, spring retainer ( $\frac{1}{8}$ thick)	3691680	2	.06
50-54	PASS. w/P.G.	RING, servo piston (3 $\frac{1}{4}$ O.D.)	3689791	1	(4.228)

#### 4.242 RING, Transmission Rear Servo

54	COMM. w/A.T.	small, booster piston ( $\frac{3}{8}$ x 1 $\frac{1}{16}$ )	8611252	1	.54
54	COMM. w/A.T.	large, booster piston ( $\frac{3}{8}$ x 2 $\frac{1}{4}$ )	8611254	1	.59

#### 4.244 PISTON, Transmission Rear Servo Compensating

54	COMM. w/A.T.	w/spring	8613764*	1	1.71
----	--------------	----------	----------	---	------

\*NOTE: On  $\frac{3}{4}$ , 1 TON models use 1 additional 8614184 rear servo compensator inner spring.

#### 4.246 LINK—PIN—STRUT—LEVER—SPRING—ANCHOR—LOCK, Reverse Brake Band

50	PASS. w/P.G.	reverse band (solid end 1 $\frac{9}{16}$ x 1 $\frac{5}{16}$ )	3694473	1	1.10
51-54	PASS. w/P.G.	reverse band (solid end 1 $\frac{9}{16}$ x 1 $\frac{1}{8}$ )	3694492	1	1.02
50-54	PASS. w/P.G.	PIN, link (2 $\frac{1}{2}$ long)	3689816	1	.15
50	PASS. w/P.G.	STRUT, rev. band (1 $\frac{3}{4}$ long x 1 $\frac{5}{16}$ wide)	3689827	1	.11
51-54	PASS. w/P.G.	STRUT, rev. band (1 $\frac{5}{8}$ long x 1 $\frac{5}{16}$ wide)	3694491	1	.12
50-54	PASS. w/P.G.	LEVER, rev. band	3691025	1	.60
54	COMM. w/A.T.	SPRING, rear servo, main (1 $\frac{3}{8}$ dia.)	8611794	1	1.32
54	COMM. w/A.T.	SPRING, rear servo, booster (1 $\frac{1}{8}$ dia.)	8609480	1	.30
54	COMM. w/A.T.	SPRING, rear servo, accumulator (piston apply)	8609061	1	.23
54	$\frac{3}{4}$ , 1 TON w/A.T.	SPRING, rear servo, compensator inner	8614184	1	.17
50-54	PASS. w/P.G.	ANCHOR, rev. band	3691027	1	.37
50-54	PASS. w/P.G.	LOCK, rev. band	475508	2	(5.030)

#### 4.247 RETAINER, Transmission Rear Servo

54	COMM. w/A.T.	spring	8609470	1	.27
----	--------------	--------	---------	---	-----

#### 4.248 PIPE, Transmission Oil

54	COMM. w/A.T.	governor delivery (3 $\frac{1}{2}$ long)	8609435	2	.32
54	COMM. w/A.T.	governor delivery	8614789	1	.70
54	COMM. w/A.T.	rear pump discharge	8614128	1	.63
54	COMM. w/A.T.	frt. pump delivery to frt. servo	8609507	1	.33
54	COMM. w/A.T.	transfer (frt. to rear)	8609499	1	.18
54	COMM. w/A.T.	pressure regulator reverse	8614817	1	.40
54	COMM. w/A.T.	reverse clutch	8611963	1	.65

#### 4.250 BODY ASSY.—BODY PARTS, Transmission Rear Servo Accumulator

54	$\frac{1}{2}$ TON w/A.T.		8614856*	1	4.85
54	$\frac{3}{4}$ , 1 TON w/A.T.	(dash of yellow paint on rear servo)	8615191*	1	4.85
54	$\frac{1}{2}$ TON w/A.T.	VALVE, check w/rivet unit	8614877	1	.35
54	COMM. w/A.T.	VALVE, exhaust	8614886	1	.40
54	COMM. w/A.T.	SPRING, exhaust valve	8614858	1	.15
54	COMM. w/A.T.	PLUNGER, check valve	8614859	1	.75

\*NOTE: Includes check valve, plug and plunger.

#### 4.251 BAND ASSY., Brake

50-54	PASS. w/P.G.	low (steel band)	5454217*	1	5.37
50-54	PASS. w/P.G.	reverse (malleable iron)	3694493	1	5.37
54	COMM. w/A.T.	trans. rear, w/strut	8613924	1	15.19
54	COMM. w/A.T.	trans. front servo	8615224	1	9.50

\*NOTE: On 1950-52 models, 3702910 and 3702911 must also be used.



**4.252 SPRING, Transmission Band Release**

54	COMM. w/A.T.	rear	8615089	1	
----	--------------	------	---------	---	--

**4.253 SCREW-NUT-COVER, Brake Band Adjusting**

50-54	PASS. w/P.G.	adj. lo and reverse ( $\frac{1}{2}$ -16 x $2\frac{3}{4}$ long)	3697509	2	.17
54	COMM. w/A.T.	trans. servo	8609584	2	.24
50-54	PASS. w/P.G.	NUT, adj., screw lo and reverse ( $\frac{1}{2}$ -16)	3689846	2	.06
50-54	PASS. w/P.G.	COVER, adj. screw, lo band ( $1\frac{1}{4}$ O.D. x $\frac{3}{4}$ deep)	3689839	1	.11

**4.254 GOVERNOR ASSY.-COVER-GEAR-GASKET-RING-PIN, Transmission**

53-54	PASS. w/P.G.		3703228	1	10.50
54	$\frac{1}{2}$ TON w/A.T.		8614046	1	11.80
54	$\frac{3}{4}$ , 1 TON w/A.T.		8615282	1	11.75
53-54	PASS. w/P.G.	COVER, governor	3703229	1	1.00
53-54	PASS. w/P.G.	GEAR UNIT, w/3 pins	3705357	1	3.35
53-54	PASS. w/P.G.	GASKET, cover (one $3\frac{3}{8}$ , four $\frac{3}{8}$ holes)	3702696	1	.05
53-54	PASS. w/P.G.	RING, governor sleeve oil seal (1 O.D.)	3689838	3	(4.123)
53-54	PASS. w/P.G.	PIN, gear and sleeve ( $\frac{3}{8}$ x $\frac{3}{4}$ )	455346	1	(8.939)
53-54	PASS. w/P.G.	PIN, weight (.090 dia. x $1\frac{1}{8}$ )	3702148	2	.03

**4.255 FLANGE, Transmission Governor Drive**

54	COMM. w/A.T.	FLANGE, gear oil pump (w/pin)	8607755	1	.225
54	COMM. w/A.T.	PIN, trans. drive flange and shaft ( $\frac{3}{8}$ x $1\frac{1}{4}$ )	103726	1	(8.939)

**4.265 BODY ASSY. AND PARTS, Transmission Low and Drive Valve**

53-54	PASS. w/P.G.		3704238	1	11.75
53-54	PASS. w/P.G. (1st design)	VALVE, low and drive (1 O.D. x $1\frac{1}{8}$ O.L.)	3702605	1	1.20
53-54	PASS. w/P.G. (2nd design)	VALVE, low and drive (ident. by raised ring)	3703285	1	1.20
53-54	PASS. w/P.G. (2nd design)	VALVE, low and drive (.006 O.S.) (+.6 on end of valve)	3703269	1	1.20
53-54	PASS. w/P.G.	VALVE, low and drive regulator (large O.D. $\frac{1}{2}$ - $1\frac{11}{16}$ O.L.)	3702606	1	.60
53-54	PASS. w/P.G.	VALVE UNIT, clutch exh. primary and secondary control	3704361*	1	.65
53-54	PASS. w/P.G.	VALVE UNIT, throttle and detent control	3704359†	1	1.35
53-54	PASS. w/P.G.	PLATE, clutch exh. cover- $2\frac{1}{4}$ O.L.	3697597	1	.27
53-54	PASS. w/P.G.	PLATE, low and drive body and (three $\frac{1}{8}$ holes)	3703052	1	.22
53-54	PASS. w/P.G.	SPRING UNIT, throttle control valve	3704360‡	1	.45
53-54	PASS. w/P.G.	CAP, low and drive regulator valve- $\frac{1}{2}$ O.D.	3702118	1	.06
53-54	PASS. w/P.G.	SLEEVE, low and drive reg. valve (1 x $1\frac{1}{16}$ )	3702607	1	1.65
53-54	PASS. w/P.G.	SLEEVE (.006 O.S.) (+.6 on end of sleeve)	3703268	1	1.65
53-54	PASS. w/P.G.	RING, regulator valve cap retainer ( $1\frac{1}{8}$ O.D.)	3702119	1	.06
53-54	PASS. w/P.G.	SCREW, end plate, w/lockwasher (10-24 x $\frac{1}{2}$ )	3702859	3	.07
53-54	PASS. w/P.G.	PIN, clutch exh. primary control valve stop ( $\frac{1}{8}$ x $1\frac{1}{16}$ )	110757‡	1	(8.939)
53-54	PASS. w/P.G.	PIN, locating ( $\frac{3}{8}$ x $\frac{3}{16}$ )	454779	2	(8.939)



3702606



3702605



3704361



3704359

**VALVE—VALVE PARTS, Transmission Oil Control**

54	½ TON w/A.T.....	VALVE, inner.....	8615464	1	35.50
54	¾, 1 TON w/A.T.....	VALVE, inner.....	8615459	1	35.50
54	COMM. w/A.T.....	VALVE, outer (stamp'd 8615466).....	8615466	1	17.50
54	COMM. w/A.T.....	VALVE, by-pass.....	8614814	1	.50
54	COMM. w/A.T.....	VALVE, manual control.....	8614164	1	.91
54	COMM. w/A.T.....	SPRING, manual valve detent.....	8611991	1	.10
54	COMM. w/A.T.....	SPRING, oil ball check.....	8613839	1	.24
54	COMM. w/A.T.....	PLUNGER, manual valve detent.....	8611995	1	.21
54	COMM. w/A.T.....	RETAINER, detent plunger.....	8611954	1	1.15
54	COMM. w/A.T.....	PIN, over-run control valve; timing valve plug retainer.....	8614136	2	.05

\*NOTE: Consists of 1 primary valve, 1 secondary valve, 2 springs, 2 pins.

†NOTE: Consists of 1 throttle valve, 1 detent valve, 2 springs, 1 regulator, 1 washer.

‡NOTE: Consists of 2 pins, 1 each of the following valve springs: clutch exh. primary and secondary control, throttle, and detent.

§NOTE: Also used as secondary control valve stop pin by cutting off ⅛".

**4.278 LEVER ASSY.—SEAL—SHIELD—SCREW, Transmission Throttle Valve**

53	PASS. w/P.G.....	w/1 <sup>3</sup> / <sub>16</sub> shaft—3 teeth.....	3703888	1	1.25
54	PASS. w/P.G.....	.....	3709012	1	1.25
54	COMM. w/A.T.....	inner.....	8609591	1	1.01
53-54	PASS. w/P.G.....	SEAL, lever shaft (⅜ I.D. x ⅜ O.D. x ⅜ thk.)..	3702649	1	.06
53-54	PASS. w/P.G.....	SHIELD, lever shaft seal.....	3702701	1	.03
53-54	PASS. w/P.G.....	SCREW, inner lever adj. (std. ¼—20 x 1 <sup>3</sup> / <sub>16</sub> )..	3703893	1	.12

**4.279 LEVER ASSY., Transmission Detent**

54	COMM. w/A.T.....	inside.....	8614134	1	3.80
----	------------------	-------------	---------	---	------

**4.282 SEAL UNIT—PIN UNIT, Transmission Control Valve**

54	COMM. w/A.T.....	SEAL UNIT, includes 1 pin (⅜ x ½), 3 seals and 4 washers.....	8618503	1	.65
54	COMM. w/A.T.....	PIN UNIT, inner lever; 1 pin (⅜ x ½), 2 seals and 2 washers.....	8618193	1	.27

**4.286 LEVER, Throttle Control Outer**

	Not required in this group. See group 4.041.....		8611315		1.35
--	--	--	---------	--	------

**4.290 BRACKET ASSY.—PISTON—SPRING, Transmission Parking Brake**

54	COMM. w/A.T.....	BRACKET ASSY.....	8614077	1	9.20
54	COMM. w/A.T.....	PISTON, blocker.....	8614080	1	.65
54	COMM. w/A.T.....	PISTON, reverse blocker.....	8613177	1	.75
54	COMM. w/A.T.....	SPRING, reverse blocker piston.....	8613086	1	.10
54	COMM. w/A.T.....	SPRING, blocker piston release.....	8614081	1	.12
54	COMM. w/A.T.....	PIN, blocker piston stop.....	8613173	1	.05
54	COMM. w/A.T.....	RETAINER, blocker piston pin.....	8614082	1	.10

**4.293 ROLLER, Transmission Reverse Shifter Crank**

54	COMM. w/A.T.....		8609594	1	.47
----	------------------	--	---------	---	-----

**4.294 ANCHOR—LOCK—BOLT, Transmission Parking Brake**

54	COMM. w/A.T.....	ANCHOR.....	8611929	1	3.46
54	COMM. w/A.T.....	LOCK, support bolt (1 <sup>3</sup> / <sub>16</sub> O.D.—5 slots).....	8609022	1	.02
54	COMM. w/A.T.....	BOLT, support.....	8611961	1	.78

**4.295 SPRING, Transmission Parking Brake**

54	COMM. w/A.T.....	anchor return.....	8613179	1	.21
----	------------------	--------------------	---------	---	-----

#### 4.302 LEVER—SPACER—ECCENTRIC—NUT—LOCK, Shifter

40-48	PASS.....	shifter yoke ( $\frac{3}{4}$ x $2\frac{1}{2}$ length).....	591032	1	.13
48-54	ALL (4-SPEED).....	unit (1 each: lever, eccentric, nut, lock) ..	3704888	1	1.50
54	COMM. (3-SPD.) (hvy. duty).....	1st and reverse (forged T89 B-41) .....	3709344	1	2.65
54	COMM. (3-SPD.) (hvy. duty).....	2nd and 3rd (forged T89 B-40) .....	3709343	1	2.65
54	COMM. (3-SPD.) (hvy. duty).....	control—1st and reverse (hole ctr. to ctr. $2\frac{1}{4}$ ) .....	3709337	1	.70
54	COMM. (3-SPD.) (hvy. duty).....	control—2nd and 3rd (hole ctr. to ctr. 3) ..	3709336	1	.85
48-52	ALL (4-SPEED).....	SPACER, reverse lever ( $\frac{1}{2}$ L.D. x $1\frac{1}{8}$ O.D. x $1\frac{1}{8}$ )	591367	1	.08
53-54	ALL (4-SPEED).....	ECCENTRIC, reverse lever ( $1\frac{1}{8}$ dia. hd. x $1\frac{3}{8}$ O.L. w/ $\frac{1}{2}$ —20 thd.) .....	591950	1	.85
53-54	ALL (4-SPEED).....	NUT, lever ( $\frac{1}{2}$ —20 castellated— $\frac{1}{8}$ thk.).....	591951	1	.07
53-54	ALL (4-SPEED).....	LOCK, lever nut ( $\frac{1}{8}$ wire).....	591952	1	.01

#### 4.303 YOKE—FORK—HEAD—RING, Gearshift

32-36	BA, CA, DA, EA, ED, FA, FD (3-SPEED SYNCHRO-MESH).....	1st and reverse .....	590585	1	2.47
32-36	BA, CA, DA, EA, ED, FA, FD (3-SPEED SYNCHRO-MESH).....	2nd and 3rd speed .....	590582	1	2.47
36	FC (3-SPEED).....	2nd and 3rd speed .....	590802	1	2.03
36	FC.....	1st and reverse shifter .....	590801	1	2.03
37-39	ALL (3-SPEED),				
40-47	COMM. (3-SPEED).....	1st and reverse .....	590852	1	1.75
37-39	ALL (3-SPEED),				
40-47	COMM. (3-SPEED).....	2nd and 3rd speed .....	590854	1	1.75
40-48	PASS.....	1st and reverse .....	591737	1	1.75
40-48	PASS.....	2nd and 3rd speed .....	591738	1	1.75
29-31	L (4-SPEED).....	all forward speeds .....	590372	2	2.30
29-31	L (4-SPEED).....	reverse .....	590373	1	2.70
31-47	ALL (4-SPEED) (exc. L).....	all forward speeds .....	590614	2	2.97
31-47	ALL (4-SPEED) (exc. L).....	reverse .....	590515	1	3.33
35	ALL (4-SPEED) (WT).....	reverse .....	476170	1	2.70
48-54	ALL (4-SPEED).....	1st and 2nd speed .....	591906	1	3.33
48-54	ALL (4-SPEED).....	3rd and 4th speed .....	591485	1	2.95
48-54	ALL (3-SPEED) (exc. FK, FJ).....	FORK, 1st and reverse (less shaft).....	591798	1	1.62
48-54	ALL (3-SPEED) (exc. FK, FJ).....	FORK, 2nd and 3rd spd. (less shaft).....	591783	1	.97
54	COMM. (3-SPD.) (hvy. duty).....	FORK, 1st and reverse (forged T85 B-24) .....	3709308	1	1.85
54	COMM. (3-SPD.) (hvy. duty).....	FORK, 2nd and 3rd (forged T85 B-23) .....	3709307	1	2.65
48-54	ALL (4-SPEED).....	HEAD, reverse shifter .....	591905	1	1.75
48-54	ALL (3-SPEED) (exc. FK, FJ).....	RING, fork retainer.....	591779	2	.05
48-54	ALL (4-SPEED).....	PIN, shifter yoke ( $\frac{3}{16}$ x 1 long).....	142359	3	(8.940)

#### 4.305 BAR, Gearshift Guide

40-48	PASS.....		591318	1	1.50
-------	-----------	--	--------	---	------

#### 4.307 SPRING, Shifter

40-48	PASS.....	yoke lock ball ( $1\frac{1}{4}$ dia. x $1\frac{1}{2}$ ) .....	591037	1	.07
48-54	ALL (3-SPD.) (exc. FK, FJ).....	shifter fork ( $\frac{3}{16}$ O.D.—18 coils).....	591796	2	.07
48-54	ALL (4-SPEED).....	reverse shift. pin ( $\frac{1}{8}$ dia. x 3).....	591582	1	.12
40-48	PASS.....	operating shaft ( $\frac{1}{8}$ long—4 $\frac{1}{2}$ coils).....	591031	1	.02
54	COMM. (3-SPD.) (hvy. duty).....	lever poppet ( $1\frac{1}{8}$ O.L.—7 active coils) ..	3709310	1	.07
48-54	ALL (4-SPEED).....	PIN, reverse shift. ( $\frac{3}{16}$ dia. x $1\frac{3}{4}$ long).....	591581	1	.06

#### 4.308 SHAFT, Gear Shifter

32-36	BA, CA, DA, EA, ED, FA, FD (3-SPEED SYNCHRO-MESH).....	1st and reverse .....	590586	1	.87
32-36	BA, CA, DA, EA, ED, FA, FD (3-SPEED) ..	2nd and 3rd speed .....	590583	1	.87
36	FC (3-SPEED).....	1st and reverse .....	590803	1	.87
36	FC (3-SPEED).....	2nd and 3rd speed .....	590804	1	.87
37-39	ALL (3-SPEED),				
40-47	COMM. (3-SPEED).....	1st and reverse .....	590853	1	.87
37-39	ALL (3-SPEED),				
40-47	COMM. (3-SPEED).....	2nd and 3rd speed .....	590855	1	.87

48-54	ALL (3-SPEED) (exc. FK, FI)	1st and reverse w/plate	591775	1	1.98
48-54	COMM. (3-SPEED)	2nd and 3rd w/plate	591782	1	1.98
49-54	PASS.	2nd and 3rd w/plate	591780	1	1.98
29-31	L (4-SPEED)	1st and 2nd speed	590376	1	.92
31-47	ALL (4-SPEED) (exc. L)	1st and 2nd speed	590517	1	1.23
31-47	ALL (4-SPEED) (exc. L)	3rd and 4th speed	590516	1	1.23
31-47	ALL (4-SPEED) (exc. L)	reverse	590518	1	1.23
48-54	ALL (4-SPEED)	1st and 2nd speed	591584	1	1.23
48-54	ALL (4-SPEED)	3rd and 4th speed	591585	1	1.23
48-54	ALL (4-SPEED)	reverse	591587	1	1.23
40	PASS.	operating shaft w/pin	591027	1	.64
41-48	PASS.	operating shaft w/pin	591209	1	.64

#### 4.311 RETAINER—SPRING—BALL, Gearshift

31-47	ALL (4-SPEED) (exc. LT)	shifting shaft (3 $\frac{1}{16}$ overall length)	590519	1	.06
29-31	ALL (3-SPEED)	SPRING, lock plunger	590463	2	.06
29-31	UTIL. (4-SPEED),				
32-39	ALL (exc. CC, DC),				
40-54	COMM., UTILITY (4-SPEED)	SPRING, fork lock ball (10 coils)	551946	A.R.	.06
35	ALL (4-SPEED) (WT)	SPRING, locating ball (8 coils)	476195	3	.06
40-47	PASS. (3-SPEED),				
48-54	ALL (3-SPEED)	BALL, locating (3 $\frac{1}{16}$ )	104919	2	(8.899)
29-39	ALL (3-SPEED),				
40-47	COMM. (3-SPEED),				
33-54	ALL (4-SPEED)	BALL, locating (3 $\frac{1}{16}$ )	147489	3	(8.899)

#### 4.312 SCREW, Gear Shifter Shaft and Yoke Lock

37-39	ALL (3-SPEED),				
40-47	COMM. (3-SPEED)	shaft lock (3 $\frac{1}{16}$ —18 x 1 $\frac{1}{16}$ to end)	590863	2	.06

#### 4.317 RETAINER—SUPPORT, Transmission Rear Bearing

32	BA, BB (3-SPEED)		590566	1	5.71
33-35	CA, CB, DA, DB, EA, EB, ED (3-SPEED)		601386	1	6.05
33-36	CC, DC, EC, FC (3-SPEED)		590787	1	6.05
36	FA, FB, FD (3-SPEED)		590792	1	6.05
29-31	L (4-SPEED)		590414	1	4.72
39-40	VE, VF, WC, WD (4-SPD.),				
41-47	UTIL., AN, BN, DS, ES (4-SPD.)	(used on WC w/prop. shaft brake)	591186	1	4.17
40	ALL (exc. WD) (4-SPEED)		591119	1	6.31
31-39	ALL (exc. L, VE, VF) (4-SPEED),				
41-47	COMM. (exc. AN, BN, DS, ES) (4-SPD.)		591356	1	6.31
48-53	COMM. (4-SPD.) (exc. 1 TON),				
54	1/2 TON (4-SPD.)		591679	1	6.31
48-50	UTILITY,				
48-54	3/4, 1 TON (4-SPD.)		591701	1	4.17
51-54	ALL (w/prop. shaft brake)	(cast 591673)	591674	1	8.77
54	COMM. (3-SPD.) (hvy. duty)	(forged T89 B-7)	3709332	1	9.75
54	1/2 TON w/A.T.	w/bushing	8614904	1	16.75
54	3/4, 1 TON w/A.T.	w/bushing	8614094	1	12.26
48-53	COMM. (3-SPEED),				
54	1/2 TON (3-SPEED)	SUPPORT ASSY. (1 $\frac{1}{16}$ LD.) (cast 591634)	591633	1	1.37
49-54	PASS. (exc. P.G.)	SUPPORT	591859	1	3.25
54	3/4 TON (3-SPD.) (exc. hvy. duty),				
54	3/4, 1 TON (3-SPD.) (hvy. duty)	SUPPORT ASSY. (1 $\frac{1}{16}$ LD.)	3845019*	1	3.50
48-54	COMM. (3-SPEED)	PLUG, retainer support (3/8)	591697	1	(4.412)
51-54	ALL (w/prop. shaft brake)	BOLT, retainer attaching (1/2—13 x 2 $\frac{1}{4}$ )	122466	1	(8.900)

\*NOTE: When using on heavy duty remove bushing.

#### 4.318 GASKET—SEAL, Transmission Rear Bearing Retainer

32-36	ALL (3-SPD.) (exc. CC, DC, EC, FC)		590580	1	.04
33-36	CC, DC, EC, FC (3-SPEED)		472939	1	.04
31-47	ALL (exc. LT, VE, VF, WD) (4-SPEED)		606667	1	.07
39-40	VE, VF, WC, WD (4-SPEED)	(used on WC w/prop. shaft brake)	057117	1	.14
48-54	4-SPD.		591672	1	.14
49-54	PASS. (exc. P.G.)	(support gasket)	591754	1	.03



54	COMM. (3-SPD.) (hvy. duty).....	(4 $\frac{1}{2}$ I.D.) .....	3709321	1	.14
54	COMM. w/A.T.....	.....	8611998	1	.51
39-40	VE, VF, WC, WD (4-SPEED),				
41-47	UTIL., AN, BN, DS, ES (4-SPD.).....	SEAL, oil (stamped 591353).....	591353	1	1.45
48-54	4-SPD.....	SEAL, oil (2 $\frac{1}{2}$ I.D. x 3 O.D. x $\frac{1}{2}$ thick).....	591448	1	1.45
54	$\frac{3}{4}$ TON (3-SPD.) (exc. hvy. duty),				
54	$\frac{3}{4}$ , 1 TON (3-SPD. (hvy. duty).....	SEAL, support oil (stmp'd. 3845021).....	3845021	1	1.25

**4.329 ADAPTER, Speedometer**

33-36	O, DC, P, EC, Q, FC, R.....	less key—ratio 17:16 (stmp'd. 848492)...	848492*	A.R.	13.93
37	S.....	ratio 17:15 (stmp'd. 1563872).....	1563813*	A.R.	14.19
37-47	$\frac{1}{2}$ TON (4-SPD.).....	ratio 1:1 (for special requirements) (stmp'd. 1563032).....	1563032	1	14.19
37	UTILITY,				
38-47	$\frac{3}{4}$ , 1 TON, UTILITY (4-SPD.) (exc. COE),				
48-49	$\frac{3}{4}$ , 1 TON (4-SPD.) (exc. D-D),				
50-53	$\frac{3}{4}$ , 1 $\frac{1}{2}$ TON (4-SPD.) (exc. D-D),				
54	$\frac{3}{4}$ TON (exc. D-D).....	ratio 17:16 (stmp'd. 1563871).....	1563871	1	14.19
38-42	COMM., UTIL. (exc. COE) (4-SPD.),				
46-48	$\frac{3}{4}$ , 1, 1 $\frac{1}{2}$ TON (4-SPD.),				
49	COMM. (exc. $\frac{1}{2}$ TON) (4-SPD.),				
50-54	2-SPD. (Vac. Shift).....	ratio 16:17 (stmp'd. 1564409).....	1564409	1	14.19
39-46	V, W, Y, M, O, P (2-SPD.) (Mech. Shift)...	(w/axle ratios 5.64—8.22; 6.03—7.99) ..	3652705*	A.R.	8.80
40-46	UTILITY (exc. P).....	(w/axle ratios 6.17—8.22).....	606431*	A.R.	8.80
46-54	2-SPD. (Vac. Shift).....	ratio low 1.750, high 1-1 (w/axle ratio 6:13—8:10).....	3682957	1	10.13
48-54	$\frac{3}{4}$ TON (exc. FR).....	ratio 15:17 (w/15—6 and 8 ply tires)....	1580273	1	14.19

\*NOTE: Above adapters used only as required in combination with speedometer gears to correct odometer reading for various tire sizes, transmission and rear axle gear ratio combinations—See Group 4.337 (speedo gears) for usages.

**LEVER—ROD—SPRING, Speedometer Gear Adapter (2-SPEED)**

46-54	ALL (Vac. Shift).....	LEVER, w/arm (use w/3682957) (EATON—stmp'd. 17401).....	5239407	1	.73
46	ALL (Vac. Shift) (exc. FFC on PV, PW)....	ROD, control lever.....	3682958	1	.12
47	ALL (Vac. Shift).....	ROD, control lever.....	3685803	1	.12
48-53	ALL (Vac. Shift) (exc. FFC).....	ROD, control lever (4 $\frac{1}{2}$ length).....	3687082	1	.12
48-54	FFC (2-SPD.).....	ROD, control lever (3 $\frac{1}{2}$ length).....	3687326	1	.05
54	ALL (Vac. Shift) (exc. FFC).....	ROD, control lever (4 $\frac{3}{8}$ length).....	3705542	1	.12
39-46	ALL.....	SPRING, control lever rod.....	3650949	2	.06

**4.330 KEY—PIN, Speedometer Adapter**

37-54	ALL.....	(also included w/adapters 1565811, 1565812, 1565813, 1565814, 1580273)	867209	1	.38
39-46	2-SPD.....	(also included w/adapters 3652705 and 606431).....	603970	1	.27
46-54	2-SPD. (Vac. Shift).....	PIN, gear.....	3685040	1	.06

**4.333 BUSHING—PLUG—FITTING, Speedometer Driven Gear**

29-36	ALL (3-SPEED),				
29-42	ALL (4-SPEED).....	shaft ( $\frac{5}{16}$ I.D. x $\frac{3}{8}$ O.D. x $\frac{5}{8}$ ).....	590623	1	.06
29-36	ALL (3-SPEED),				
29-47	ALL (4-SPEED).....	PLUG, gear.....	590104	1	.25
29-36	ALL (3-SPEED),				
29-47	ALL (4-SPEED).....	FITTING, gear.....	590106	1	.40

**4.334 SPACER, Speedometer Drive Gear**

48-54	ALL (3-SPD.) (exc. FK, FJ).....	(1 $\frac{1}{4}$ I.D. x 1 $\frac{3}{4}$ O.D. x $\frac{3}{8}$ thick).....	591623	1	.18
54	COMM. (3-SPD.) (hvy. duty).....	(1 $\frac{3}{8}$ I.D. x 1 $\frac{1}{2}$ long).....	3709338	1	.45

**4.335 SEAL, Transmission Rear Bearing Retainer Oil**

54.	$\frac{3}{4}$ , 1 TON w/A.T.....		8614102	1	1.85
-----	----------------------------------	--	---------	---	------

**4.337 GEAR, Speedometer Drive, w/Driven Gear and Shaft**

Speedometer			Speedometer			Speedometer		
Part No.	Gear Teeth	List Price	Part No.	Gear Teeth	List Price	Part No.	Gear Teeth	List Price
363575	4-14	1.88	602797	5-13	1.88	3692233	5-14	1.95
364163	3-12	1.88	602798	4-12	1.88	3692234	6-19	1.95
364442	4-12	1.88	603074	4-15	1.88	3692235	6-20	1.95
514865	8-23	1.87	603075	4-13	1.88	3694622	5-13	1.95
600096	5-14	1.88	603164	5-13	1.95	3695417	6-18	1.95
600119	4-12	1.88	605061	4-12	1.95	3702814	4-11	1.95
601104	5-14	1.88	605062	5-14	1.95	3704230	5-13	1.95
601805	4-12	1.88	605063	6-19	1.95	3707598	7-20	1.95
601895	4-12	1.88	1344675	8-22	2.65	3707624	4-15	1.95
602027	4-11	1.88	3689121	4-15	1.95	3707625	5-16	1.95
602517	6-19	1.88	3689178	4-13	1.95	3707626	5-17	1.95
602518	5-14	1.95	3689179	4-14	1.95	3707627	5-18	1.95
602519	4-12	1.95	3689223	4-12	1.95	3707628	6-19	1.95
602526	5-14	1.88	3690720	6-20	1.95	3709359	7-20	1.95
602527	4-14	1.52						

NOTE: For usage of the above speedometer gears, together with adapters (group 4.329) for various tire sizes, transmission, and rear axle ratios, use table below:

The following combinations are based on tires having highway type treads. For other types, sizes, and odometer correction factors see Service and Mechanical Dept. Bulletins (Product Data Book, Section XII).

**Passenger and Commercial equipped with 3-Speed Transmission**

Years	Models	Tire or Wheel Sizes	Ring-Pinion Gear Teeth	Speedo. Adapter	Speedo. Gear No.
32-35	B, CA, CB, DA, DB, EA, EB, ED.....	5.25-18—4 ply; 5.50-17—4 ply.....	37-9	None	600119
33-36	CC, DC, EC, FC.....	5.25-17—4 ply.....	37-9	None	364442
34-36	DC, EC, FC (ECONOMY).....	5.25-19—4 ply.....	42-11	848492	601104
34-36	DC, EC, FC.....	5.25-19—4 ply.....	37-9	None	601104
36	EC, FC (ECONOMY).....	5.25-17—4 ply; 5.50-17—4 ply.....	42-11	None	601805
36	FA, FB, FD.....	5.50-17—4 and 6 ply; 6.00-17—4 ply; 6.00-16—4 ply; 6.25-16—4 ply; 6.50-16—4 ply; 7.50-15—6 ply.....	37-9	None	601895
36	FA, FB, FD (ECONOMY).....	5.50-17—4 and 6 ply; 6.00-17—4 ply; 6.00-16—4 ply; 6.25-16—4 ply; 6.50-16—4 ply; 7.50-15—6 ply.....	42-11	None	602027
37-39	PASS.....	6.00-16—4 and 6 ply; 6.25-16—6 ply...	38-9	None	602517
37-39	GA, HA, JA, JB.....	5.50-18—4 and 6 ply.....	38-9	None	602519
37-40	GC, GD, HC, HD, IC, ID, KC.....	15" wheel.....	37-9	None	602519
37-40	GC, HC, IC, KA, KC, KH.....	6.00-16—4 and 6 ply; 6.25-16—4 and 6 ply	37-9	None	602519
37-40	½ TON.....	6.50-16—4 and 6 ply.....	37-9	None	602519
37-40	PASS.....	6.00-16—4 and 6 ply; 6.25-16—6 ply...	41-11	None	602518
37-40	PASS.....	5.50-18—4 and 6 ply.....	41-11	None	603164
37-40	½ TON.....	6.50-18—4 and 6 ply.....	37-9	None	602518
37-40	GC, HC, IC, KA, KC, KH.....	5.50-18—4 and 6 ply.....	37-9	None	602518 602519
37-39	½ TON.....	15" wheel—4 and 6 ply; 6.00-16—4 and 6 ply; 6.25-16—4 and 6 ply; 6.50-16—4 and 6 ply.....	42-11	None	602518
37-39	½ TON.....	6.50-17—6 ply.....	42-11	None	603164
37-39	½ TON.....	5.50-18—4 and 6 ply.....	42-11	None	602518 603164
37-39	GD, HD, ID.....	7.00-17—6 and 8 ply.....	37-9	1565814	603164
37-39	GD, HD, ID.....	7.50-17—8 ply.....	37-9	None	603164
40	KD.....	15" wheel.....	41-9	1565814	602517
40	KD.....	7.00-17—6 and 8 ply; 7.50-17—8 ply...	41-9	None	602519
41-46	½ TON.....	15" wheel.....	37-9	None	605061
41-48	PASS., ½ TON.....	6.00-16—4 and 6 ply; 6.25-16—4 and 6 ply; 6.50-16—4 and 6 ply.....	37-9	None	605061
41-48	½ TON.....	6.50-17—6 ply.....	37-9	None	605061 605062
41-48	PASS., ½ TON.....	5.50-18—4 ply; 6.00-18—4 and 6 ply...	37-9	None	605062
41-48	PASS., ½ TON.....	5.50-18—6 ply.....	37-9	1565814	605062
41-48	PASS.....	6.00-16—4 and 6 ply; 6.25-16—4 and 6 ply; 6.50-16—4 and 6 ply.....	41-11	None	605062

42-48	PASS.....	5.50-18—4 and 6 ply; 6.00-18—4 and 6 ply.....	41-11	1565814	605062
41-48	AL, BL, DR, ER, FR.....	15—6 and 8 ply.....	32-7	1565814	605063
41-48	AL, BL, DR, ER, FR.....	7.50-17—8 ply.....	32-7	1565813	605063
41-48	AL, BL, DR, ER, FR.....	7.00-17—6 and 8 ply.....	32-7	1565812	605063
48	FT.....	15—6 and 8 ply.....	36-7	1580273	605063
41-42	AM, BM.....	7.00-17—6 and 8 ply; 7.50-17—8 ply; 15" wheel.....	41-9	None	605061
48	FT.....	7.00-17—6 and 8 ply; 7.50-17—8 ply.....	36-7	None	3690720
48-54	½ TON (exc. hvy. duty).....	6.00-16—6 ply.....	37-9	None	3695417
49-52	PASS. (exc. P.G.).....	6.70-15—4 and 6 ply.....	37-9	None	3695417
48-52	PASS. (exc. P.G.).....	6.70-15—4 ply.....	41-11	None	3692233
48-54	¾ TON (exc. D-D).....	15—6 ply.....	32-7		3692234
48-54	¾ TON D-D.....	15—6 ply.....	36-7		3692234
48-54	¾ TON.....	7.50-17—8 ply; 7.00-17—6 and 8 ply.....	36-7		3692235
50-52	PASS. w/P.G.....	(5-13 teeth) (6.70-15—4 ply).....	39-11		3694622†
53-54	PASS. w/P.G.....	(5-13 teeth) (6.70-15—4 ply).....	39-11		3704230†
53-54	PASS. (exc. P.G.).....	(4-11 teeth) (6.70-15—4 and 6 ply).....	37-10		3702814
54	½ TON (3-SPEED) (hvy. duty).....	6.00 x 16—6 ply.....	36-7	None	3709359
54	½ TON (hvy. duty).....	6.00 x 16—6 ply.....	39-10	None	3709359
54	¾ TON (hvy. duty).....	6.00 x 16—6 ply.....	32-7	None	3709359

†NOTE: 3694622 drive gear is 15½ thick; 3704230 is 17½ thick.

#### Commercial and Utility Trucks equipped with 4-Speed Transmission

30-36	LS, LT, M, N, O, P, Q, R.....	7.00-20—8 ply; 32 x 6—10 ply; 32 x 7—10 ply.....	37-6	None	364163
31-36	UTILITY.....	7.00-20—8 ply; 32 x 6—10 ply; 32 x 7—10 ply.....	38-7	848492	363575
31-36	UTILITY.....	7.50-20—8 ply.....	38-7	(Not serv.)	363575
33-36	CB, DB, EB, FB.....	5.25-18; 5.50-17.....	37-9	None	600096
37-40	½ TON.....	15" wheel; 6.00-16—4 and 6 ply; 6.25-16—4 and 6 ply; 6.50-16—4 and 6 ply; 5.50-18—4 ply.....	37-9	1565814	602526
37-40	¾ TON.....	6.50-17—6 ply; 6.50-18—6 ply.....	37-9	None	602526
37-39	¾ TON.....	5.50-18—4 ply; 6.50-17—6 ply; 6.00-16—4 and 6 ply; 6.25-16—4 and 6 ply; 6.50-16—4 and 6 ply.....	42-11	1565812	602526
37-39	GD, HD, ID.....	15" wheel.....	37-9	None	602798
37-39	GE, HE, JE.....	7.00-17—6 and 8 ply.....	37-9	1565814	602797
37-39	GE, HE, JE.....	7.50-17—8 ply.....	37-9	None	602798
37-39	½ TON.....	15" wheel; 5.50-18—6 ply.....	42-11	None	602526
37-47	S, T, V, W, Y, M, OR, OS, OW, OY, PJ, PK, PL, QJ, QK, QL.....	6.00-20—6 and 8 ply; 30 x 5—6 and 8 ply.....	37-6	1565814	603074
37-47	S, T, V, W, Y, M, OR, OS, OW, OY, PJ, PK, PL, QJ, QK, QL.....	6.50-20—6 ply; 7.00-20—8 ply; 32 x 6—8 and 10 ply; 32 x 7—10 ply.....	37-6	None	603074
37-47	S, T, V, W, Y, M, OR, OS, OW, OY, PJ, PK, PL, QJ, QK, QL.....	7.50-20—8 ply.....	37-6	{ 1565812- 1565813 }	603074
37-47	S, T, V, W, Y, M, OR, OS, OW, OY, DS, PJ, PK, PL, ES, QJ, QK, QL.....	6.00-20—6 and 8 ply; 30 x 5—6 and 8 ply.....	38-7	1565814	603075
37-47	S, T, V, W, Y, M, OR, OS, OW, OY, DS, PJ, PK, PL, ES, QJ, QK, QL.....	6.50-20—6 ply; 7.00-20—8 ply; 32 x 6—8 and 10 ply; 32 x 7—10 ply.....	38-7	None	603075
37	UTILITY.....	6.00-20—6 ply; 32 x 6—6 ply.....	38-7	None	602527
48	PP, PR, PS, PV, PW, PX.....	7.50-20—8 ply.....	37-6	None	602527
39-47	ALL (2-SPEED).....	8.25-20—10 ply.....	8.22 and 5.64	{ 1565812- 3692705 }	603075
39-42	V, W, Y, M (2-SPEED).....	8.25-20—10 ply.....			
40-42	KD, AL, BL.....	15" wheel; 7.00-17—6 and 8 ply; 7.50-17—8 ply.....	41-9	None	603075
40-42	KE, KF, AM, AN, BM, BN.....	15" wheel; 7.00-17—6 and 8 ply; 7.50-17—8 ply.....	41-9	None	602798
41-42	½ TON.....	5.50-18—4 ply.....	37-9	None	602798
46-47	½ TON.....	6.00-16—6 ply; 6.00-18—6 ply.....	37-9	None	602798
48-54	½ TON.....	5.50-15—6 and 8 ply; 6.00-16—6 ply; 6.50-16—6 ply.....	37-9	None	3689223
48-54	¾ TON (exc. D-D).....	7.00-17—6 and 8 ply.....	32-7	None	3689223
48-54	¾ TON (exc. D-D).....	7.50-17—8 ply.....	32-7	1565812	3689223

48-54	¾ TON (exc. FR)	5.50-15—6 and 8 ply	36-7	None	3689121
48-54	1½ TON	6.50-20—6 and 8 ply; 7.00-20—8 and 10 ply	37-6	None	3689121
48-54	1½ TON	7.50-20—8 and 10 ply	37-6	1565812	3689121
48-54	1½ TON	10.00-18—12 ply	37-6	1565813	3689121
48-54	1 TON	7.00-17—6 and 8 ply	36-7	1565814	3689178
48-54	1 TON	7.50-17—8 ply; 7.00-18—8 ply	36-7	None	3689178
48-54	¾ TON (exc. D-D)	15—6 and 8 ply	36-7	None	3689178
48-54	¾ TON D-D	7.50-17—8 ply	36-7	None	3689178
48-54	¾ TON D-D	7.00-17—6 and 8 ply	36-7	1565814	3689178
48-54	1½ TON	6.50-20—6 and 8 ply; 7.00-20—8 and 10 ply (7:38 axle ratio)	38-7	None	3689178
48-54	1½ TON	7.50-20—8 and 10 ply	38-7	1565812	3689178
48-54	ALL (2-SPD)	8.25-20—10 and 12 ply; 9.00-20—10 ply	8.10 and 6.13	None	3689178
48-54	2 TON	8.25-20—10 and 12 ply; 9.00-20—10 ply	37-6	None	3689178
48-54	ALL (2-SPD)	7.50-20—8 and 10 ply	8.10 and 6.13	None	3689179
48-54	ALL (2-SPD)	10.00-18—12 ply	8.10 and 6.13	1565812	3689179
48-54	2 TON	7.50-20—8 and 10 ply; 8.25-20—10 and 12 ply	37-6	None	3689179
53-54	1½ TON SBC	6.00-16—6 ply	39-10	None	3707598
54	½ TON				

#### Commercial Units equipped with Automatic Transmission

54	½ TON	6.00-16—6 ply; 6.50-16—6 ply	39-10	None	1344675
54	½ TON	6.00-16—6 ply	39-10	None	514865
54	¾ TON (exc. D-D)	15—6 ply	36-7	None	3707624
54	¾ TON (exc. D-D)	15—6 ply	32-7	None	3707625
54	¾ TON (exc. D-D)	15—6 ply	32-7	None	3707628
54	¾ TON (exc. D-D)	15—6 ply; 7.00-17—8 ply	32-7	None	3707626
54	¾ TON D-D	15—6 ply	36-7	None	3707627
54	D-D, 1 TON	15—6 ply; 7.00-17—8 ply	36-7	None	3707626

#### 4.342 CABLE—CABLE KIT, Speedometer

37-38	PASS.				
53-54	PASS. w/P.G.	assembly (66½)	1563139	1	1.30
37-38	COMM., UTIL.				
53-54	PASS. (exc. P.G., CONV.)	assembly (58½)	1562889	1	1.30
39-40	ALL (exc. COE)				
41-48	PASS.				
47-48	EP, ER, FP, FR	assembly (61½)	1563435	1	1.30
41-54	1 TON D-D, COE	assembly (106½)	1565000	1	1.65
41-47	COMM., UTIL. (exc. EP, ER, D-D, COE)				
49-54	COMM., UTIL. (exc. D-D, COE)				
50-52	PASS. w/P.G.	assembly (63½)	1562669	1	1.30
49-52	PASS. (exc. P.G.)	assembly (56½)	1564778	1	1.30
49-54	¾ TON D-D	assembly (98½)	1563768	1	2.69
30-36	ALL	KIT (consists of cable, tip, staking tool) (AC-618)	846893*	1	1.40
37-54	ALL (exc. D-D, COE)	KIT (consists of cable, tip, staking tool) (AC-615)	846890*	1	1.40

NOTE: Max. length of cable in kits 846890-846893 is 80". Cut to required length.

#### CABLE and CASING ASBY.

37-48	PASS.				
39-54	COMM., UTIL. (exc. D-D, COE)				
50-54	PASS. w/P.G.	(cable 68½, casing 67½) (AC-CC-1)	1567793*	1	2.72
37-38	COMM., UTILITY				
53-54	PASS. (exc. CONV., P.G.)	(cable 58½, casing 57½) (AC-CC-17)	1582863*	1	2.60
41-46	½ TON (4-SPD.)				
48-54	ALL (2-SPD.) (Vac. Shift) (exc. COE)	(cable 81½, casing 79½) (AC-CC-6)	1567798*	1	3.14
41-54	DUBL-DUTI, COE (4-SPEED)	(cable 106½, casing 105)	1564997	1	5.10



49-52	PASS. (exc. CONV., P.G.)	(cable 56 $\frac{1}{8}$ , casing 55) (AC-CC-8)	1580395*	1	2.60
49-52	CONV. (exc. P.G.)	(cable 56 $\frac{1}{8}$ , casing 55)	1580297	1	3.43
53-54	CONV. (exc. P.G.)	(cable 58 $\frac{1}{8}$ , casing 57 $\frac{1}{2}$ )	1581819	1	4.12

\*NOTE: The prices shown are subject to the provisions of the Fair Trade Acts of those States having such laws.

#### 4.351 GEAR, Transmission Main Drive

29-30	AC, AD (3-SPEED)	w/bushing, 14 spur teeth (8 $\frac{1}{2}$ length)	590396	1	8.53
31	AE (3-SPEED)	w/bushing, 14 spur teeth (8 $\frac{1}{2}$ length)	590460	1	8.92
32	BA, BB (3-SPEED)	20 helical teeth	590633	1	8.92
33-34	CC, DC (3-SPEED)	17 helical teeth (8 $\frac{1}{8}$ length)	473214	1	9.45
33-36	CA, CB, DA, DB, EA, EB, ED, FA, FB, FD (3-SPEED)	21 helical teeth	590858	1	10.00
35-36	EC, FC (3-SPEED)	17 helical teeth (8 $\frac{1}{4}$ length)	590772	1	9.45
37-39	PASS., COMM. (3-SPD.)	19 helical teeth (identified by a $\frac{1}{8}$ drilled hole between threaded portion and gear)	609321	1	10.00
40-52	PASS. (exc. P.G.)	19 helical teeth (shaft dia. 1 $\frac{1}{2}$ —9 $\frac{3}{16}$ O.L.)	609741	1	10.00
40-52	COMM. (3-SPEED)	19 helical teeth (shaft dia. 1 $\frac{3}{8}$ —9 $\frac{3}{16}$ O.L.) ( $\frac{5}{16}$ blind hole between threads and gear)	609320	1	10.00
29-30	ALL (4-SPEED)	15 spur teeth (8 $\frac{1}{2}$ length, hole 1 $\frac{1}{8}$ I.D.)	590417	1	9.18
31	LT (4-SPEED)	14 spur teeth (8 $\frac{5}{16}$ length, hole 1 $\frac{1}{8}$ I.D.)	590498	1	9.18
48-54	ALL (4-SPEED)	17 helical teeth (9 $\frac{1}{8}$ length, hole 1 $\frac{3}{4}$ I.D.)	591501	1	11.08
53	PASS. (exc. P.G.) (1st design)	19 helical teeth (shaft dia. 2 $\frac{3}{8}$ —9 $\frac{3}{16}$ O.L.)	3699250*	1	10.75
53-54	PASS. (exc. P.G.) (2nd design)	19 helical teeth (shaft dia. $\frac{3}{4}$ —9 $\frac{3}{16}$ O.L.)	3705066*	1	10.75
53	COMM. (3-SPEED) (1st design)	19 helical teeth (shaft dia. 2 $\frac{3}{8}$ —9 $\frac{3}{16}$ O.L.)	3699251*	1	10.00
53-54	COMM. (3-SPEED) (2nd design) (exc. hvy. duty)	19 helical teeth (shaft dia. $\frac{3}{4}$ —8 $\frac{3}{16}$ O.L.)	3705067*	1	10.00
54	COMM. (3-SPD.) (hvy. duty)	17 helical teeth (1 $\frac{1}{2}$ shaft dia. x 9 $\frac{1}{4}$ O.L.)	3709338	1	14.50
31-47	ALL (4-SPEED) (exc. L)	UNIT (consists of: 1 gear w/17 spur teeth; 8 $\frac{1}{8}$ length, 1 $\frac{1}{8}$ I.D. and 1—591605 Retainer)	3847311†	1	11.08

\*NOTE: Can be used to correct high gear disengagement on 1949-52 models, but also requires 1 ea. 591851-591852 spacers, 24—7450247 rollers, and either 1—3699258 (PASS.) or 1—3699259 (COMM.) mainshaft.

†NOTE: When using 3847311 on 1931-37 models it will be necessary to cut off the clutch gear bearing retainer sleeve at the shoulder.

#### 4.352 BEARING—ROLLER—SPACER—RETAINER, Transmission Main Shaft Front Pilot and Main Drive Gear

32-36	BA, BB, CA, CB, DA, DB, EA, EB, ED, FA, FB, FD (3-SPEED)	roller (Hyatt 93322)	142638	1	.90
33-36	CC, DC, EC, FC (3-SPEED)	roller (Hyatt 99014)	136312	1	1.10
29-31	L (4-SPEED)				
35-36	EA, ED, FA, FD (3-SPEED) (WM)	roller (Hyatt 99026) (12 rollers)	127692	1	.80
31-47	ALL (4-SPEED) (exc. L)	roller (Hyatt 93424C)	141854	1	.90
37-54	ALL (3-SPEED) (exc. hvy. duty)	ROLLER, front pilot bearing ( $\frac{3}{16}$ dia. x $\frac{11}{16}$ )	435844	14	14/.65
48-54	ALL (4-SPEED)				
54	COMM. (3-SPEED) (hvy. duty)	ROLLER, front pilot bearing ( $\frac{7}{8}$ dia. x $\frac{3}{4}$ )	7450010	A.R.	18/1.10
53-54	ALL (3-SPEED) (exc. hvy. duty)	ROLLER, rear bearing ( $\frac{1}{8}$ x $\frac{1}{2}$ )	7450247	24	24/.90
48-54	ALL (4-SPEED)	SPACER, pilot bearing roller (1 $\frac{3}{4}$ I.D. x 1 $\frac{3}{4}$ O.D. x $\frac{5}{16}$ thick)	591436	1	.25
53-54	ALL (3-SPEED) (exc. hvy. duty)	SPACER, front roller (1 $\frac{1}{16}$ I.D. x 1 O.D. x $\frac{3}{64}$ thk.)	591851	1	.02
53-54	ALL (3-SPEED) (exc. hvy. duty)	SPACER, rear roller ( $\frac{7}{8}$ I.D. x 1 $\frac{1}{16}$ O.D. x $\frac{3}{64}$ thk.)	591852	1	.03
48-54	ALL (4-SPEED)	RETAINER, pilot bearing roller (ring type) (1 $\frac{3}{4}$ free dia. x $\frac{5}{16}$ wide)	591443	1	.05

#### 4.355 BEARING, Transmission Main Drive Gear

29-31	AC, AD, AE (3-SPEED)	ball (ND 3207)	903207	1	(5.436)
32-36	ALL (3-SPD.) (exc. CC, DC, EC, FC)	ball (ND 3208 w/cup)	590545	1	4.75
33-36	CC, DC, EC, FC (3-SPEED)	ball (ND 47106)	954111	1	6.75
35-36	EA, ED, FA, FD (3-SPEED) (WM)	ball (ND 43208)	954108	1	4.95
37-54	ALL (3-SPD.)	ball (ND 43207)	954388	1	4.65
54	ALL (3-SPD.) (hvy. duty)	ball (ND 43307)	954127	1	(4.408)
29-31	L (4-SPEED)	ball (ND 1208)	954493	1	5.65
31-47	ALL (4-SPEED) (exc. L)	ball (ND 3209-L)	954373	1	5.45
48-54	ALL (4-SPEED)	ball (ND 41209)	954358	1	6.85

#### 4.356 RETAINER—PLATE—BOLT, Transmission Main Drive Gear Bearing

29-31	AC, AD, AE (3-SPEED)	(4 O.D. x $\frac{5}{8}$ length, w/4 holes $\frac{5}{16}$ dia.)	590409	1	.85
32-36	ALL (3-SPD.) (exc. CC, DC, EC, FC)	(4 $\frac{1}{8}$ O.D. x $\frac{3}{4}$ length, w/6 holes $\frac{1}{4}$ dia.)	590550	1	1.20
33-36	CC, DC, EC, FC (3-SPEED)	(3 $\frac{1}{8}$ O.D. x $\frac{3}{4}$ length, w/4 holes $\frac{1}{4}$ dia.)	473217	1	1.20
35-36	EA, ED, FA, FD (3-SPEED) (WM)	(4 $\frac{1}{8}$ O.D. x $\frac{5}{8}$ length, w/6 holes $\frac{1}{4}$ dia.)	475995	1	1.20
37	ALL (3-SPEED)	(4 $\frac{1}{8}$ O.D. x $\frac{5}{8}$ length, w/6 holes $\frac{1}{4}$ dia.)	590851	1	1.20
38-39	ALL (3-SPEED)				
40	COMM. (3-SPEED)	(4 $\frac{1}{8}$ O.D. x $\frac{3}{4}$ length, w/6 holes $\frac{1}{4}$ dia.)	607406	1	1.70
40-54	PASS. (3-SPEED)				
41-47	COMM. (3-SPEED)	(4 $\frac{1}{8}$ O.D. x $\frac{3}{4}$ length, w/4 holes $\frac{5}{16}$ dia.)	604932	1	1.70
48-54	COMM. (3-SPEED)	(stamped 591620) (4 $\frac{1}{8}$ O.D. x $\frac{3}{4}$ length, w/4 holes $\frac{5}{16}$ dia.)	591620	1	1.82
31-37	ALL (4-SPEED) (exc. L)	(4 $\frac{1}{8}$ O.D. x $\frac{5}{8}$ length, w/6 holes $\frac{1}{4}$ dia.)	590481	1	1.20
38-46	ALL (4-SPD.)	(stamped 591327) (use only w/main drive gear having no oil return grooves on shaft)	591327	1	1.70
46-47	ALL (4-SPD.)	(stamped 591605) (use only w/main drive gear having oil return grooves on shaft)	591605	1	1.70
48-54	ALL (4-SPEED)	(stamped 591446) (4 $\frac{1}{8}$ O.D. x $\frac{3}{4}$ length, w/4 holes $\frac{5}{16}$ dia.)	591446	1	1.92
54	COMM. (3-SPD.) (hvy. duty)	(4 $\frac{1}{8}$ O.D. x $\frac{3}{4}$ O.L.) (forged T89 B-8)	3709331	1	2.45
31-40	ALL (3-SPD.) (exc. CC, DC, EC, FC)	PLATE, lock, lower (2 holes $\frac{1}{4}$ dia. $1\frac{1}{8}$ center to center) (see Note below)	591241	1	.13
31-47	ALL (4-SPEED) (exc. LT)				
31-40	ALL (3-SPD.) (exc. CC, DC, EC, FC)	PLATE, lock, upper (2 holes $\frac{1}{4}$ dia. $1\frac{1}{8}$ center to center) (see Note below)	591242	2	.13
31-47	ALL (4-SPEED) (exc. LT)				
31-40	ALL (3-SPD.) (exc. CC, DC, EC, FC)	BOLT, retainer (hex-hd., $\frac{1}{4}$ —20 x $\frac{3}{4}$ ) (see Note below)	591243	6	.08
31-47	ALL (4-SPEED) (exc. LT)				

NOTE: 591241, 591242 and 591243 used on 1931-40 models with 3 and 4-Speed transmission having 6 holes ( $\frac{1}{4}$  dia.) in Bearing Retainer.

#### 4.357 NUT, Transmission Main Drive Gear Bearing

37-54	ALL (3-SPEED)	(1 $\frac{1}{8}$ —12 L.H. thread)	591150	1	.43
48-54	ALL (4-SPEED)	(1 $\frac{1}{4}$ —12 L.H. thread)	591441	1	.43

#### 4.358 GASKET, Transmission Main Drive Gear Bearing Retainer

32-36	ALL (3-SPD.) (exc. CC, DC, EC, FC)	(3 $\frac{1}{2}$ I.D. x 4 $\frac{1}{8}$ O.D., w/6 holes $\frac{5}{16}$ dia.)	590549	1	.03
33-36	CC, DC, EC, FC (3-SPEED)	(3 $\frac{1}{8}$ I.D. x 3 $\frac{1}{8}$ O.D., w/4 holes $\frac{1}{4}$ dia.)	473216	1	.03
37-40	G, H, I, KC, KD, KE, KF (3-SPEED)	(3 $\frac{3}{4}$ I.D. x 4 $\frac{1}{2}$ O.D., w/6 holes $\frac{5}{16}$ dia.)	590850	1	.07
40-54	ALL (3-SPEED) (exc. KC, KD, KE)	(3 $\frac{3}{4}$ I.D. x 4 $\frac{1}{2}$ O.D., w/4 holes $\frac{1}{16}$ dia.)	591022	1	.07
31-47	ALL (4-SPEED) (exc. L)	(3 $\frac{1}{2}$ I.D. x 4 $\frac{1}{8}$ O.D., w/6 holes $\frac{5}{16}$ dia.)	606666	1	.04
48-54	ALL (4-SPEED)	(3 $\frac{3}{8}$ I.D. x 4 $\frac{1}{2}$ O.D., w/4 holes $\frac{1}{16}$ dia.)	591445	1	.07
54	COMM. (3-SPD.) (hvy. duty)	(.010) (4 holes $\frac{3}{8}$ —4 $\frac{1}{2}$ O.D.)	3709317	A.R.	.03
54	COMM. (3-SPD.) (hvy. duty)	(.015)	3709318	A.R.	.07

#### 4.374 DEFLECTOR—SLINGER—WASHER, Transmission Main Drive Gear Bearing Oil

48-54	ALL (4-SPEED)	oil (1 $\frac{1}{2}$ I.D. x 2 $\frac{3}{8}$ O.D.)	591691	1	.13
32-36	ALL (3-SPD.) (exc. CC, DC, EC, FC)	SLINGER, oil (1 $\frac{1}{2}$ I.D. x 3 $\frac{1}{8}$ O.D.)	590621	1	.13
31-47	ALL (4-SPEED) (exc. L)	SLINGER, oil (1 $\frac{1}{2}$ I.D. x 2 $\frac{1}{2}$ O.D.)	590479	1	.13
48-54	ALL (4-SPEED)	SLINGER, oil (1 $\frac{1}{2}$ I.D. x 2 $\frac{1}{2}$ O.D.)	591440	1	.13
54	COMM. (3-SPD.) (hvy. duty)	WASHER, retaining (1 $\frac{3}{8}$ I.D. x 2 $\frac{1}{8}$ O.D.)	3709322	2	.13

#### 4.376 LOCK—RING—WASHER, Transmission Main Drive Gear Bearing

32-36	ALL (3-SPD.) (exc. CC, DC, EC, FC)	bearing (1 $\frac{1}{2}$ I.D. x 1 $\frac{1}{8}$ O.D. x $\frac{1}{16}$ thick)	590548	1	.06
33-36	CC, DC, EC, FC (3-SPEED)	bearing (1 $\frac{1}{8}$ I.D. x 1 $\frac{1}{8}$ O.D. x $\frac{1}{16}$ thick)	473215	1	.06
31-47	ALL (4-SPEED)	bearing (3 $\frac{1}{8}$ I.D. x 3 $\frac{1}{8}$ O.D. x $\frac{3}{16}$ thick)	590477	1	.13
31-47	ALL (4-SPEED)	bearing (1 $\frac{1}{8}$ I.D. x 2 $\frac{1}{8}$ O.D. x $\frac{1}{16}$ thick)	590476	1	.07
33-36	CC, DC, EC, FC (3-SPEED)	RING, brg. locating (2 $\frac{1}{8}$ I.D. x 3 $\frac{1}{4}$ O.D. x $\frac{1}{16}$ )	473212	1	.13
37-54	ALL (3-SPD.)	RING, brg. locating (2 $\frac{1}{8}$ I.D. x 2 $\frac{1}{4}$ O.D. x $\frac{1}{16}$ )	590849	1	.13
54	COMM. (3-SPD.) (hvy. duty)	RING, snap ( $\frac{3}{16}$ thick)	3709351	1	.07
54	COMM. (3-SPD.) (hvy. duty)	RING, snap ( $\frac{3}{16}$ thick)	3709353	1	.07
54	COMM. (3-SPD.) (hvy. duty)	RING, snap ( $\frac{1}{4}$ thick)	3709355	1	.07
48-54	ALL (4-SPEED)	RING, brg. locating (3 $\frac{1}{8}$ I.D. x 3 $\frac{1}{2}$ O.D. x $\frac{1}{16}$ )	591405	1	.13
54	COMM. (3-SPD.) (hvy. duty)	WASHER (1 $\frac{3}{8}$ I.D. x 1 $\frac{1}{8}$ O.D. x $\frac{1}{16}$ thick)	3709350	1	.13

#### 4.380 CLUTCH, Transmission 2nd-3rd and 3rd-4th Speeds

32-36	ALL (3-SPD.) (exc. CC, DC, EC, FC) . . . . .	2nd and 3rd (4 $\frac{1}{16}$ long) . . . . .	590687	1	6.48
33-36	CC, DC, EC, FC . . . . .	2nd and 3rd (3 $\frac{1}{16}$ long) . . . . .	473503	1	5.18
35-36	EA, ED, FA, FD (WM) . . . . .	2nd and 3rd (30 T) (3 $\frac{3}{8}$ O.D.) . . . . .	592776	1	5.33
37-39	PASS., COMM. . . . .	2nd and 3rd, w/synchronizer, assy. . . . .	602339	1	10.67
40-53	ALL (3-SPD.) (1st design) . . . . .	2nd and 3rd, w/synchronizer, assy. (2 lugs) . . . . .	605020	1	10.75
53-54	ALL (3-SPD.) (2nd design) (exc. hvy. duty) . . . . .	2nd and 3rd, w/synchronizer, assy. (4 lugs) . . . . .	3705112	1	10.75
54	COMM. (3-SPD.) (hvy. duty) . . . . .	w/synchronizer . . . . .	3709345*	1	13.50
48-54	ALL (4-SPEED) . . . . .	3rd and 4th (30 T) (4 $\frac{1}{4}$ O.D.) . . . . .	591429	1	3.40

\*NOTE: Consists of 2nd and high clutch hub, 2nd and high speed clutch sleeve and shifting plate with synchronizer spring.

#### 4.381 RETAINER, Transmission Synchronizing Ring

37-54	ALL (3-SPEED) . . . . .	(2 I.D. x 2 $\frac{1}{16}$ O.D. x $\frac{1}{16}$ thick) . . . . .	591361	2	.06
48-54	ALL (4-SPEED) . . . . .	2nd speed (4 $\frac{1}{16}$ I.D. x 4 $\frac{23}{32}$ O.D. x $\frac{1}{16}$ ) . . . . .	591565	1	.12

#### 4.383 RING, Transmission Synchronizing

37-39	G, H, J . . . . .	w/3 internal teeth . . . . .	590842	1	1.47
40-53	ALL (3-SPD.) (1st design) . . . . .	w/2 internal lugs . . . . .	591087	2	1.45
53-54	ALL (3-SPD.) (2nd design) . . . . .	w/2 teeth and 2 lugs—internal . . . . .	591886	2	1.65
54	COMM. (3-SPD.) (hvy. duty) . . . . .	blocking (2 $\frac{1}{16}$ I.D. x 3 $\frac{1}{16}$ O.D. w/3 inside slots) . . . . .	3709348	2	3.50
48-54	ALL (4-SPEED) . . . . .	2nd speed (w/2 internal teeth) . . . . .	591566	1	3.78

#### 4.384 DRUM—HUB—RING—CONE—PLATE, Transmission Synchronizing

32-36	ALL (3-SPD.) (exc. CC, DC, EC, FC) . . . . .	front (3 $\frac{1}{16}$ O.D.) . . . . .	590684	1	3.95
32-36	ALL (3-SPD.) (exc. CC, DC, EC, FC) . . . . .	rear (4 O.D.) . . . . .	590683	1	4.10
35-36	EA, ED, FA, FD (WM) . . . . .	HUB, clutch . . . . .	476300	1	5.97
48-54	ALL (4-SPEED) . . . . .	HUB, clutch—3rd and 4th speed . . . . .	591912	1	4.48
48-54	ALL (4-SPEED) . . . . .	RING, clutch hub ret. (.083) . . . . .	591431	1	.05
48-54	ALL (4-SPEED) . . . . .	RING, clutch hub ret. (.087—marked w/red) . . . . .	591432	1	.05
48-54	ALL (4-SPEED) . . . . .	RING, clutch hub ret. (.091—marked w/blue) . . . . .	591433	1	.05
48-54	ALL (4-SPEED) . . . . .	RING, clutch hub ret. (.095—marked w/yellow) . . . . .	591434	1	.05
48-54	ALL (4-SPEED) . . . . .	CONE, 3rd spd. gear synchronizer . . . . .	591602	1	3.23
48-54	ALL (4-SPEED) . . . . .	CONE, clutch gear synchronizer (bronze) . . . . .	591503	1	3.23
54	COMM. (3-SPD.) (hvy. duty) . . . . .	PLATE, shifting (steel 1 $\frac{1}{16}$ O.L.) . . . . .	3709306	3	.22
48-54	ALL (4-SPEED) . . . . .	KEY, clutch—3rd and 4th speed . . . . .	591913	3	.22
48-54	ALL (4-SPEED) . . . . .	SPRING, clutch key—3rd and 4th speed . . . . .	591914	2	.05

#### 4.395 GEAR, Transmission 2nd Speed

33-36	CA, CB, DA, DB, EA, EB, ED, FA, FB, FD . . . . .	w/bushing (30 helical teeth—4 $\frac{1}{16}$ O.D.) . . . . .	590665	1	7.30
33-36	CC, DC, EC, FC . . . . .	(24 helical teeth) . . . . .	473502	1	6.58
35-36	EA, ED, FA, FD . . . . .	(22 spur teeth) . . . . .	592692	1	7.20
37-39	ALL (3-SPEED) . . . . .	w/energizing spring (26 helical teeth) (identify by 3 holes drilled thru hub) . . . . .	590929	1	7.30
40-53	PASS. (exc. P.G.) (1st design) . . . . .	w/energizing spring (2 slots) (26 helical teeth) . . . . .	591078	1	7.25
40-53	COMM. (3-SPEED) (1st design) . . . . .	w/energizing spring (2 slots) (26 helical teeth) . . . . .	591110	1	7.30
48-54	ALL (4-SPEED) . . . . .	w/bushing (35 helical teeth—ident. by two $\frac{1}{8}$ holes) . . . . .	591578	1	9.88
53-54	PASS. (exc. P.G.) (2nd design) . . . . .	w/energizing spring (4 slots) (26 helical teeth) . . . . .	591877	1	7.25
53-54	COMM. (3-SPEED) (2nd design) . . . . .	w/energizing spring (4 slots) (26 helical teeth) . . . . .	591889	1	7.30
54	COMM. (3-SPEED) (hvy. duty) . . . . .	w/bushing . . . . .	3709342	1	11.73

#### 4.397 RETAINER, Transmission 2nd Speed Gear Thrust Washer

32-36	ALL (3-SPD.) (exc. CC, DC, EC, FC) . . . . .	(1 $\frac{3}{16}$ I.D. x 1 $\frac{1}{16}$ O.D. x $\frac{1}{16}$ thick) . . . . .	590554	1	.06
33-36	CC, DC, EC, FC . . . . .	(1 $\frac{1}{16}$ I.D. x 1 $\frac{1}{16}$ O.D. x $\frac{1}{16}$ thick) . . . . .	473224	1	.06

#### 4.398 WASHER, Transmission Shaft and 2nd Speed Gear Thrust

32-36	ALL (3-SPD.) (exc. CC, DC, EC, FC).....	gear rear thrust (1 $\frac{1}{8}$ I.D. x 1 $\frac{15}{16}$ O.D. x $\frac{1}{8}$ thick—steel).....	590564	1	.17
32-36	ALL (3-SPD.) (exc. CC, DC, EC, FC).....	gear front thrust (1 $\frac{1}{8}$ I.D. x 1 $\frac{1}{8}$ O.D. x $\frac{1}{8}$ thick—brass).....	590553	1	.33
33-36	CC, DC, EC, FC.....	gear front thrust (1 I.D. x 1 $\frac{3}{4}$ O.D. x $\frac{3}{16}$ thick—steel—notches on I.D.).....	473501	1	.17
35-36	EA, ED, FA, FD (WM).....	gear rear thrust (1 $\frac{1}{4}$ I.D. x 2 O.D. x $\frac{3}{16}$ thick—steel).....	476216	1	.55
35-36	EA, ED, FA, FD (WM).....	gear front thrust (1 $\frac{1}{4}$ I.D. x 1 $\frac{3}{4}$ O.D. x $\frac{3}{16}$ thick—steel).....	476217	1	.55
33-36	CC, DC, EC, FC.....	gear rear thrust (1 I.D. x 1 $\frac{11}{16}$ O.D. x $\frac{3}{8}$ thick—steel).....	591793	1	.22
37-54	ALL (3-SPEED).....	gear front thrust (1 $\frac{1}{8}$ I.D. x 2 $\frac{3}{8}$ O.D. x $\frac{3}{16}$ thick—steel).....	591422	1	.33

#### 4.399 BUSHING, Transmission Main Shaft

48-54	ALL (4-SPEED).....	3rd spd. (1 $\frac{1}{8}$ I.D. x 1 $\frac{25}{32}$ x 1 $\frac{27}{32}$ long)....	591940	1	1.52
-------	--------------------	--	--------	---	------

#### 4.403 SHAFT, Transmission Main

30-31	AD, AE (3-SPEED).....	(10 $\frac{3}{8}$ long—6 splines).....	590437	1	5.10
32-36	ALL (3-SPD.) (exc. CC, DC, EC, FC).....	(10 $\frac{1}{8}$ long—6 splines).....	364095	1	6.55
33-36	CC, DC, EC, FC (3-SPEED).....	(9 $\frac{7}{8}$ long—6 splines).....	473222	1	5.73
35-36	EA, ED, FA, FD (3-SPEED) (WM).....	(11 long—6 splines) w/sleeve.....	601420	1	8.05
37-39	PASS. (3-SPD.).....	(7 $\frac{1}{2}$ long—6 splines).....	603196	1	6.97
37-39	COMM. (3-SPD.).....	(9 $\frac{11}{16}$ long—6 splines).....	603198	1	6.97
40-47	ALL (3-SPD.),				
48	PASS.....	(9 $\frac{5}{8}$ long—6 splines).....	605022†	1	6.97
48-52	COMM. (3-SPD.).....	(11 $\frac{15}{16}$ long—6 splines).....	3688968	1	7.95
31	LT (4-SPEED).....	(10 $\frac{9}{16}$ long—6 splines—w/ $\frac{3}{8}$ —18 thd. for nut).....	590443	1	5.80
31-40	ALL (4-SPD.) (exc. LT).....	(10 $\frac{1}{2}$ long—6 splines—w/ $\frac{3}{8}$ —24 tapped hole).....	364160	1	6.55
41-47	COMM. (4-SPD.) (exc. 1 TON).....				
41-47	UTIL., AN, BN, DS, ES (4-SPD.).....	(11 long—6 splines—w/ $\frac{3}{8}$ —24 tapped holes).....	605023	1	7.50
48-54	ALL (4-SPEED).....	(11 $\frac{3}{8}$ long—11 teeth on large dia.).....	3692608§	1	11.90
49-52	PASS. (exc. P.G.).....	(12 $\frac{1}{2}$ long—6 splines).....	3690870	1	7.95
53-54	PASS. (exc. P.G.) (see *NOTE).....	(13 $\frac{11}{16}$ long—6 splines).....	3699258	1	7.95
53-54	COMM. (3-SPEED) (see *NOTE).....	(13 long—6 splines).....	3699259	1	7.95
54	COMM. (3-SPD.) (hvy. duty).....	(12 $\frac{1}{8}$ long—6 splines).....	3709330	1	11.75
54	$\frac{3}{4}$ , 1 TON w/A.T.....	.....	8615283	1	19.45
54	$\frac{1}{2}$ TON w/A.T.....	output.....	8614907	1	33.50
54	$\frac{3}{4}$ , 1 TON w/A.T.....	output.....	8615268	1	33.50

†NOTE: When using shaft 605022 as initial replacement on 1940 jobs it is necessary to use clutch assy. 605020.

§NOTE: When using 392608 in place of Main Shaft having 22 teeth on large diameter, it is also necessary to use 3692598 first and reverse gear.

\*NOTE: Can be used to correct high gear disengagement on 1949-52 models but also requires 1 ea. 591851—591852 spacers, 24—7450247 rollers, and either 1—3699250 (PASS.) or 1—3699251 (COMM.) gear.

#### 4.404 WASHER, Transmission Main Shaft Universal Joint Attaching

29-32	ALL (3, 4-SPEED) (exc. M).....	plain (1 $\frac{1}{8}$ I.D. x 1 $\frac{1}{4}$ O.D. x $\frac{1}{8}$ thick)....	328936	1	.03
32-36	ALL (3-SPD.) (exc. CC, DC, EC, FC).....	plain (1 $\frac{1}{8}$ I.D. x 1 $\frac{1}{8}$ O.D. x $\frac{1}{8}$ thick)....	368261	1	.06
33-47	CC, DC, EC, FC, G, H, I, KD, KE, KF, AL, AM, BL, BM, DR, ER (3-SPD.).....	plain (1 $\frac{3}{16}$ I.D. x 1 $\frac{1}{2}$ O.D. x $\frac{3}{16}$ thick)....	590936	1	.06
40-47	PASS., $\frac{1}{2}$ TON (3-SPD.),				
48-54	ALL (3-SPEED),				
50-54	PASS. w/P.G.,				
54	$\frac{1}{2}$ TON (3-SPEED) (hvy. duty).....	plain (1 $\frac{3}{16}$ I.D. x 1 $\frac{1}{8}$ O.D. x $\frac{3}{16}$ thick)....	3652935	1	.06
41-47	ALL,				
48-54	PASS., COMM. (3-SPEED).....	lock (special $\frac{3}{8}$ ).....	838819	1	(0.609)
31-40	ALL (4-SPEED) (exc. L, VE, VF, WD),				
41-42	AL, AM, BL, BM (4-SPEED).....	plain (1 $\frac{3}{16}$ I.D. x 1 $\frac{11}{16}$ O.D. x $\frac{3}{16}$ thick)....	367219	1	.07
31-40	ALL (4-SPEED) (exc. L, VE, VT, WD),				
41-42	AL, AM, BL, BM (4-SPEED).....	lock ( $\frac{1}{8}$ external teeth).....	367220	1	.06



39-40	VE, VF, WC, WD (4-SPEED).....	plain ( $1\frac{1}{2}$ I.D. x $1\frac{13}{16}$ O.D. x $\frac{5}{16}$ thick)			
46	OH, OI, OJ (4-SPEED).....	(used on WC w/prop. shaft brake only) ..	2043844	1	.13
41-47	COMM., UTIL. (4-SPD.) (exc. AL, AM, BK, CK, DF, EP).....				
42-47	$\frac{1}{2}$ TON (4-SPD.).....	( $1\frac{1}{2}$ I.D. x $1\frac{1}{16}$ O.D. x $\frac{15}{64}$ thick—w/large chamfer).....	3657936	1	.13
48-54	ALL (4-SPEED),				
54	$\frac{3}{4}$ , 1 TON w/A.T.....	( $1\frac{1}{2}$ I.D. x $1\frac{5}{8}$ O.D. x $\frac{5}{16}$ thick).....	591472	1	.13
54	$\frac{1}{2}$ TON w/A.T.....	front yoke.....	8614911	1	.75

#### 4.408 BOLT, Transmission Main Shaft Universal Joint Attaching

31-47	ALL (exc. AE, LT, CC, DC, EC, FC, VE, VF, WD),				
48-54	ALL (3-SPEED).....	( $\frac{3}{8}$ —24 x $1\frac{1}{16}$ hex-hd.).....	367266	1	.06
33-36	CC, DC, EC, FC (3-SPEED).....	( $\frac{3}{8}$ —24 x $1\frac{15}{16}$ hex-hd.).....	366968	1	.06
48-53	$\frac{1}{2}$ , $\frac{3}{4}$ TON (4-SPD.),				
54	$\frac{1}{2}$ TON (4-SPD.).....	( $\frac{3}{4}$ —20 x $1\frac{3}{8}$ hex-hd.).....	3686947	1	.06
50-54	PASS. w/P.G.,				
54	$\frac{1}{2}$ TON w/A.T.....	( $\frac{3}{8}$ —24 x $1\frac{1}{4}$ w/pin thru ctr.).....	3690869	1	.28

#### 4.409 BEARING, Transmission Main Shaft Rear

29-31	ALL (3 and 4-SPEED) (exc. M).....	(ND 3306).....	903306	1	4.85
32-36	ALL (3-SPD.) (exc. CC, DC, EC, FC).....	(ND 7506).....	954387	1	3.55
33-34	CC, DC (3-SPEED),				
50-54	PASS. w/P.G.....	(ND 3208).....	903205	1	2.90
35-36	EC, FC (3-SPEED).....	(ND 42108).....	954140	1	4.85
35-36	EA, ED, FA, FD (3-SPEED) (W.M).....	(ND 43208).....	954108	1	(4.355)
37-54	ALL (3-SPEED).....	(ND 43305).....	954158	1	4.50
31-47	ALL (4-SPEED) (exc. LT),				
54	COMM. (3-SPD.) (hvy. duty).....	(ND 3307).....	954390	1	5.95
48-54	ALL (4-SPEED).....	(ND 43307).....	954127	1	6.15
54	$\frac{1}{2}$ TON w/A.T.....	output shaft.....	903006	1	3.55
54	$\frac{3}{4}$ , 1 TON w/A.T.....	output shaft.....	903007	1	4.25
54	COMM. (3-SPD.) (hvy. duty).....	output shaft (No. 3307X1A).....	903307	1	5.95

#### 4.409 SPACER—SLEEVE—SLINGER, Transmission Rear Bearing

32-36	ALL (3-SPD.) (exc. CC, DC, EC, FC).....	pilot bearing ( $\frac{45}{64}$ I.D. x $\frac{61}{64}$ O.D. x $\frac{3}{16}$ dia. wire).....	590570	1	.02
33-36	CC, DC, EC, FC (3-SPEED).....	pilot bearing ( $\frac{45}{64}$ I.D. x $\frac{49}{64}$ O.D. x $\frac{3}{16}$ dia. wire).....	473223	1	.02
31-47	ALL (4-SPEED) (exc. LT).....	bearing inner ( $1\frac{5}{16}$ I.D. x $1\frac{7}{16}$ O.D. x $\frac{3}{16}$ thick).....	590483	1	.07
31-47	ALL (4-SPEED) (exc. LT).....	pilot bearing ( $\frac{13}{16}$ I.D. x 1 O.D. x $\frac{3}{16}$ dia. wire).....	590486	1	.07
32-36	ALL (3-SPD.) (exc. CC, DC, EC, FC).....	SLEEVE, bearing oil.....	590567	1	.13
54	$\frac{3}{4}$ TON (3-SPD.) (exc. hvy. duty).....	SLINGER, oil (1 I.D. x $2\frac{1}{8}$ O.D.—steel).....	3845023	1	.15

#### 4.412 LOCK—RING, Transmission Rear Bearing

31-47	ALL (4-SPEED) (exc. LT).....	front ( $3\frac{3}{8}$ I.D. x $3\frac{3}{8}$ O.D. x $\frac{3}{16}$ stock— $1\frac{1}{4}$ height).....	590484	1	.13
32-36	ALL (3-SPD.) (exc. CC, DC, EC, FC).....	front ( $2\frac{3}{4}$ I.D. x $2\frac{3}{8}$ O.D. x $\frac{1}{16}$ stock— $1\frac{1}{4}$ height).....	590568	1	.13
35-36	EC, FC (3-SPEED).....	RING, locating ( $1\frac{13}{16}$ I.D. x $2\frac{1}{8}$ O.D. x $\frac{1}{16}$ thk.).....	473515	1	.18
37-54	ALL (3-SPEED).....	RING, locating ( $2\frac{3}{16}$ I.D. x $2\frac{3}{16}$ O.D. x $\frac{1}{16}$ thk.).....	590833	1	.13
35	ALL (4-SPEED) (WT).....	RING, locating ( $2\frac{13}{16}$ I.D. x $3\frac{3}{8}$ O.D. x $\frac{1}{16}$ thk.).....	476209	1	.13
48-54	ALL (4-SPEED).....	RING, snap (rear brg.),			
54	COMM. (3-SPD.) (hvy. duty).....	(frt. brg.) ( $3\frac{3}{8}$ O.D.).....	954261	1	.20
54	COMM. (3-SPD.) (hvy. duty).....	RING, snap ( $\frac{5}{64}$ thick) ( $3\frac{3}{8}$ O.D. x $\frac{3}{4}$ inside opening).....	3709301	1	.13
54	COMM. (3-SPD.) (hvy. duty).....	RING, snap ( $\frac{3}{16}$ thick).....	3709303	1	.13
54	COMM. (3-SPD.) (hvy. duty).....	RING, snap ( $\frac{1}{64}$ thick).....	3709305	1	.13
48-54	COMM. (3-SPEED).....	PLUG, special (used as transmission rear brg. support lock and "U" joint filler plug).....	591697	1	.13

#### 4.413 SPRING, Transmission Synchronizing

32-36	ALL (3-SPD.) (exc. CC, DC, EC, FC).....	drum spring—front (.173 wide at slot).....	590571	1	.65
32-36	ALL (3-SPD.) (exc. CC, DC, EC, FC).....	drum spring—front (.183 wide at slot).....	590572	1	.65

32-36	ALL (3-SPD.) (exc. CC, DC, EC, FC) . . . . .	drum spring—front (.193 wide at slot) . . . . .	590573	1	.65
32-36	ALL (3-SPD.) (exc. CC, DC, EC, FC) . . . . .	drum spring—front (.203 wide at slot) . . . . .	590574	1	.65
32-36	ALL (3-SPD.) (exc. CC, DC, EC, FC) . . . . .	drum spring—front (.213 wide at slot) . . . . .	590575	1	.65
32-36	ALL (3-SPD.) (exc. CC, DC, EC, FC) . . . . .	drum spring—rear (.282 wide at slot) . . . . .	590559	1	.65
32-36	ALL (3-SPD.) (exc. CC, DC, EC, FC) . . . . .	drum spring—rear (.292 wide at slot) . . . . .	590560	1	.65
37-54	ALL (3-SPEED) . . . . .	energizing (1 $\frac{5}{16}$ I.D. x 1 $\frac{3}{8}$ O.D. x $\frac{1}{4}$ thick) . . . . .	591298	2	.12
48-54	ALL (4-SPEED) . . . . .	energizing (1 $\frac{23}{32}$ length) . . . . .	591975	2	.05
54	COMM. (3-SPD.) (hvy. duty) . . . . .	(working dia. 2 $\frac{15}{16}$ ) . . . . .	3709349	2	.15
48-54	ALL (4-SPEED) . . . . .	PIN, spring ( $\frac{3}{8}$ dia. x $\frac{1}{2}$ length) . . . . .	591576	4	.05

#### 4.416 GEAR, Transmission High Speed Sliding

29	AC (3-SPEED) . . . . .	2nd, 3rd (20 T—10 spline—1 $\frac{33}{64}$ wide) . . . . .	590403	1	6.48
30-31	AD, AE (3-SPEED) . . . . .	2nd, 3rd (20 T—6 spline—1 $\frac{33}{64}$ wide) . . . . .	590465	1	6.48
31	LT (4-SPEED) . . . . .	3rd, 4th (20 T—6 spline—1 $\frac{33}{64}$ wide) . . . . .	590446	1	6.48
31-47	ALL (4-SPEED) (exc. LT) . . . . .	3rd, 4th (24 T—6 spline—1 $\frac{37}{64}$ wide) . . . . .	590493	1	7.30
48-54	ALL (4-SPEED) . . . . .	3rd non-sliding (24 T—1 $\frac{37}{32}$ I.D. x 4 O.D.) . . . . .	591601	1	8.18

#### 4.417 GEAR, Transmission 1st, 2nd and Reverse Sliding

29	AC (3-SPEED) . . . . .	1st and reverse (27 T—10 spline) . . . . .	590402	1	6.17
30-31	AD, AE (3-SPEED) . . . . .	1st and reverse (27 T—6 spline) . . . . .	328654	1	6.17
32-36	B, C, D, E, F (3-SPD.) (exc. CC, DC, EC, FC) . . . . .	1st and reverse (33 T—24 spline) . . . . .	590576	1	7.02
33-36	CC, DC, EC, FC (3-SPEED) . . . . .	1st and reverse (29 T—12 spline) . . . . .	472936	1	6.58
35-36	EA, ED, FA, FD (3-SPEED) (WM) . . . . .	1st and reverse (29 T—6 spline) . . . . .	476191	1	6.08
37-39	G, H, J (3-SPEED) . . . . .	1st and reverse (31 T—24 spline) . . . . .	590931	1	6.58
40-54	PASS. (exc. P.G.) . . . . .	1st and reverse (29 T—24 spline) . . . . .	591088	1	6.58
40-54	COMM. (3-SPEED) (exc. hvy. duty) . . . . .	1st and reverse (29 T—24 spline) ( $\frac{3}{8}$ dia. x $\frac{1}{2}$ deep blind hole on side) . . . . .	591113	1	6.58
29-30	LQ, LR, LS (4-SPEED) . . . . .	1st, 2nd, reverse (28 T—34 T—10 spline) . . . . .	590346	1	10.53
31-41	ALL (4-SPEED) (exc. LT) (early 1941 only) . . . . .	1st, 2nd and reverse (43 T—34 T—6 spline) . . . . .	364193	1	12.85
41-47	ALL (4-SPEED) (late 1941 only) . . . . .	1st, 2nd and reverse (42 T—34 T—6 spline) . . . . .	605555	1	12.85
48-54	ALL (4-SPEED) . . . . .	1st and reverse ( $\frac{1}{8}$ groove on I.D.) . . . . .	3705458§	1	13.50
54	COMM. (3-SPD.) (hvy. duty) . . . . .	1st and reverse (33 T—10 spline) . . . . .	3709334	1	11.85
53-54	ALL (4-SPEED) . . . . .	RING, gear friction (3 O.D.) . . . . .	591956†	1	.43
53-54	ALL (4-SPEED) . . . . .	STRIP, ring compression (rubber— $\frac{1}{8}$ x 9 $\frac{5}{8}$ ) . . . . .	591955†	1	.13

†NOTE: Used only with 1st and reverse gear having  $\frac{1}{8}$  groove on I.D.

§NOTE: Includes one each 591956 Ring and 591955 Strip. This gear can only be used with 3692608 Main Shaft.

#### 4.421 GEAR, Transmission Countershaft

29-31	ALL (3-SPEED) . . . . .	1st speed counter (18 T) . . . . .	328689	1	4.80
29-31	ALL (3-SPEED) . . . . .	2nd speed counter (25 T) . . . . .	590469	1	4.80
32	ALL (3-SPEED) . . . . .	assy., w/bushings (24 T—13 T—20 T—helical) . . . . .	590637	1	12.97
33-36	ALL (3-SPD.) (exc. CC, DC, EC, FC) . . . . .	assy., w/bushings (25 T—13 T—21 T) . . . . .	590655	1	13.50
33-36	CC, DC, EC, FC (3-SPEED) . . . . .	assy., w/bushings (23 T—14 T—19 T) . . . . .	473209	1	11.62
35	EA, ED (3-SPEED) (WM) . . . . .	cluster (1 $\frac{1}{8}$ I.D. for roller bearings) (28 T—24 T—18 T—15 T) . . . . .	476192	1	12.53
36	FA, FD (3-SPEED) (WM) . . . . .	assy., w/bshgs (28 T—24 T—18 T—15 T) . . . . .	592704	1	13.33
37-39	ALL (3-SPEED) . . . . .	assy., w/bushings (27 T—15 T—22 T) . . . . .	590927	1	13.95
40-53	PASS., KC (1st design) (use w/2 lug synchronizer) . . . . .	assy., w/bushings (27 T—14 T—22 T) . . . . .	591074	1	13.50
40-41	PASS. (hvy. duty) . . . . .				
40-53	COMM. (3-SPD.) (1st design) (use w/2 lug synchronizer) . . . . .	cluster (brg. roller type— $\frac{3}{8}$ hole in hub) (27 T—14 T—22 T) . . . . .	591191†	1	13.50
42-53	PASS. (hvy. duty) (1st design) (use w/2 lug synchronizer) . . . . .	cluster (brg. roller type) (27 T—14 T—22 T) . . . . .	591319	1	13.95
53	PASS. (2nd design) (use w/4 lug synchronizer) . . . . .	assy., w/bushings (27 T—14 T—22 T) . . . . .	591880	1	13.50
53	PASS. (hvy. duty) (2nd design) (use w/4 lug synchronizer) . . . . .				
54	PASS. . . . .	cluster (brg. roller type) (27 T—14 T—22 T) . . . . .	591899	1	13.50
53-54	COMM. (3-SPD.) (2nd design) (use w/4 lug synchronizer) . . . . .	cluster (brg. roller type— $\frac{3}{8}$ hole in hub) (27 T—14 T—22 T) . . . . .	3845001	1	13.95
54	COMM. (3-SPD.) (hvy. duty) . . . . .	(31 T—26 T—19 T—16 T) (2 grooves around shaft) . . . . .	3709333	1	24.50
29-31	ALL (4-SPEED) (exc. M) . . . . .	1st speed, complete w/shaft (13 T) . . . . .	590332	1	7.88

29-31	ALL (4-SPEED) (exc. M)	3rd speed (27 T)	590335	1	5.07
29-31	ALL (4-SPEED) (exc. M)	drive (33 T)	590339	1	5.13
31-47	ALL (4-SPEED) (exc. LT)	2nd speed (23 T— $\frac{3}{4}$ width)	590501	1	5.95
31-47	ALL (4-SPEED) (exc. LT)	3rd speed (33 T)	590502	1	6.85
31-47	ALL (4-SPEED) (exc. LT)	reverse (23 T— $1\frac{1}{16}$ width)	590503	1	5.95
31-47	ALL (4-SPEED) (exc. LT)	driven (40 T)	590504	1	6.95
31-41	ALL (4-SPEED) (exc. LT) (1st design)	1st speed, complete w/shaft (14 T)	590500§	1	8.37
41-47	ALL (4-SPEED) (2nd design)	1st speed complete w/shaft (14 T) (identify by two grooves on hub near gear)	591263*	1	8.90
48-54	ALL (4-SPEED)	1st speed (14 T)	591667	1	9.85
48-54	ALL (4-SPEED)	2nd speed (23 T)	591395	1	5.95
48-54	ALL (4-SPEED)	3rd speed (33 T)	591396	1	6.85
48-54	ALL (4-SPEED)	reverse (23 T)	591397	1	5.95
48-54	ALL (4-SPEED)	driven (40 T)	591399	1	7.30

†NOTE: When using 591191 it is also necessary to use 1—591213, Countershaft; 50—435847, Roller; and 2—591212 Washer.

§NOTE: Use 1st speed counter gear 590500 w/1st and 2nd speed gear 364193 (34 T—43 T).

\*NOTE: Use 1st speed counter gear 591263 w/1st and 2nd speed gear 605555 (34 T—42 T).

#### 4.422 BUSHING—BEARING—ROLLER—RING—RETAINER—PLATE—SPACER—WASHER, Transmission Countershaft Gear

29-31	ALL (3-SPEED)	BUSHING, sleeve ( $\frac{3}{8}$ I.D. x 1 O.D. x $1\frac{1}{2}$ long)	590236	2	(4.431)
35	EA, ED (3-SPEED) (WM)	BEARING, roller, front (HY 99026)	127892	1	(4.352)
31-54	ALL (4-SPEED) (exc. LT)	BEARING, roller, front (HY ORB 1207)	142260	1	7.65
31-47	ALL (4-SPEED) (exc. LT)	BEARING, roller, rear (HY ORB 1207)	121856	1	8.80
29-31	ALL (4-SPEED) (exc. M)	BEARING, roller, rear (HY 1306T)	178851	1	5.00
48-54	ALL (4-SPEED)	BEARING, ball, rear (ND 43308)	954164	1	7.65
40-54	ALL (3-SPD.) (exc. hvy. duty)	ROLLER, brg. ( $\frac{1}{8}$ dia. x $\frac{3}{4}$ O.L.) (not used w/bushed type countergear)	435847	50	50/2.85
54	COMM. (3-SPD.) (hvy. duty)	ROLLER, brg. (frt. and rear) ( $\frac{3}{4}$ O.L.)	3709328	80	40/1.75
48-54	ALL (4-SPEED)	RING, retaining (.125)	591401	1	.05
48-54	ALL (4-SPEED)	RING, retaining (.132—marked w/red paint)	591402	1	.05
48-54	ALL (4-SPEED)	RING, retaining (.140—marked w/blue paint)	591403	1	.05
48-54	ALL (4-SPEED)	RETAINER, rear brg. (2 dia. w/2— $1\frac{3}{16}$ holes)	591670	1	.13
48-54	ALL (4-SPEED)	PLATE, rear brg. lock ( $1\frac{1}{4}$ O.L. w/2— $1\frac{3}{16}$ holes)	591671	1	.09
31-47	ALL (4-SPEED) (exc. LT)	SPACER, brg. ( $2\frac{3}{16}$ O.D. x $1\frac{1}{16}$ width)	590497	1	.18
48-54	ALL (4-SPEED)	SPACER, brg. ( $1\frac{1}{8}$ I.D. x $2\frac{3}{16}$ O.D. x $\frac{1}{16}$ thick)	591392	1	.18
54	COMM. (3-SPD.) (hvy. duty)	SPACER, brg. ( $\frac{1}{8}$ I.D. x $4\frac{1}{16}$ O.L.)	3709323	1	.65
54	COMM. (3-SPD.) (hvy. duty)	WASHER, brg. ( $\frac{3}{8}$ I.D. x $1\frac{1}{16}$ O.D. x $\frac{1}{16}$ thick)	3709324	4	.10
48-54	ALL (4-SPEED)	DEFLECTOR, rear brg. oil ( $1\frac{1}{8}$ I.D. x $3\frac{1}{16}$ O.D.)	591682	1	.13

#### 4.423 WASHER—Transmission Counter Gear Thrust

32-40	PASS., COMM.	( $5\frac{1}{16}$ I.D.—4 notches x $1\frac{1}{8}$ O.D. x $\frac{1}{16}$ thick)			
41-54	PASS.	(used only w/bushed type countergear)	590826	2	.20
35	EA, ED (3-SPEED) (WM)	( $4\frac{3}{16}$ minimum I.D. x $2\frac{1}{16}$ O.D. x $\frac{1}{16}$ thick, w/tang)	476245	1	.33
40-54	ALL (3-SPD.) (exc. hvy. duty)	( $5\frac{1}{16}$ I.D. x $1\frac{1}{8}$ O.D. x $\frac{1}{16}$ thick) (used only w/roller brg. type countergear)	591212	2	.17
54	COMM. (3-SPD.) (hvy. duty)	front ( $\frac{1}{8}$ I.D. x $2\frac{5}{16}$ O.D.—1 notch)	3709325	1	.33
54	COMM. (3-SPD.) (hvy. duty)	rear ( $\frac{1}{8}$ I.D. x $2\frac{1}{8}$ O.D.—4 notches)	3709326	1	.50
54	COMM. (3-SPD.) (hvy. duty)	rear ( $\frac{1}{8}$ I.D. x $2\frac{1}{8}$ O.D.—2 notches)	3709327	1	.50
29-31	ALL (4-SPEED) (exc. M)	( $1\frac{1}{8}$ I.D. 1 notch x $2\frac{3}{4}$ O.D. x $\frac{1}{16}$ thick)	590340	1	.25
31-47	ALL (4-SPEED) (exc. LT)	( $1\frac{1}{4}$ I.D. 1 notch x $2\frac{11}{16}$ O.D. x $\frac{1}{8}$ thick)	590498	1	.25

#### 4.426 SPACER, Transmission Countershaft Gear

31-47	ALL (4-SPEED) (exc. LT)	reverse and driven ( $2\frac{1}{16}$ I.D. x $2\frac{5}{16}$ O.D. x $\frac{3}{16}$ length)	590505	1	.13
31-54	ALL (4-SPEED) (exc. LT)	reverse ( $2\frac{1}{16}$ I.D. x $2\frac{5}{16}$ O.D. x $\frac{1}{8}$ length)	590506	1	.13
31-47	ALL (4-SPEED) (exc. LT)	2nd and 3rd ( $2\frac{1}{16}$ I.D. x $2\frac{5}{16}$ O.D. x $\frac{3}{16}$ length)	590507	1	.13

#### 4.428 COUNTERSHAFT, Transmission

29-31	ALL (3-SPEED)	( $\frac{3}{8}$ dia. x $6\frac{1}{16}$ length)	328671	1	2.10
32-36	ALL (3-SPD.) (exc. CC, DC, EC, FC)	( $\frac{1}{8}$ dia. x $8\frac{1}{16}$ length)	590626	1	2.10
33-36	CC, DC, EC, FC (3-SPEED)	( $\frac{1}{8}$ dia. x $7\frac{1}{16}$ length)	472954	1	2.10

35	EA, ED (3-SPEED) (WM).....	( $\frac{3}{4}$ dia. x $8\frac{1}{4}$ length).....	476222	1	2.07
36	FA, FD (3-SPEED) (WM).....	( $\frac{7}{8}$ dia. x $8\frac{1}{4}$ length).....	592701	1	2.07
37-40	PASS., COMM.....	( $\frac{1}{8}$ dia. x $7\frac{3}{4}$ length—w/2 flat oiling slots and $\frac{1}{16}$ hole) (for use only w/bushed type countergear).....	590827	1	2.08
40-53	ALL (3-SPD.) (hvy. duty on PASS.).....	( $\frac{7}{8}$ dia. x $7\frac{3}{4}$ length—no flat oiling slots) (for use only w/roller bearing type countergear).....	591213	1	2.10
54	ALL (3-SPD.).....	( $\frac{7}{8}$ dia. x $9\frac{1}{16}$ length).....	3709300	1	2.85
54	COMM. (3-SPD.) (hvy. duty).....	w/1st speed gear (13 T).....	590332	1	(4.421)
29-31	L (4-SPEED).....	w/1st speed gear (14 T) (see Note).....	590500	1	(4.421)
31-41	ALL (4-SPEED) (exc. LT) (early 1941 only).....	w/1st speed gear (14 T) (identify by 2 grooves on hub near gear) (see Note).....	591263	1	(4.421)
41-42	ALL (4-SPEED) (late 1941 only).....				

NOTE: Use shaft 590500 w/1st and 2nd speed gear 364193 (34 T—43 T); use shaft 591263 w/1st and 2nd speed gear 605555 (34 T—42 T).

#### 4.429 KEY, Transmission Countershaft Gear

31-54	ALL (4-SPEED) (exc. LT).....	( $\frac{3}{16}$ dia. x $5\frac{1}{4}$ length).....	591394	4	.06
-------	------------------------------	---	--------	---	-----

#### 4.430 GEAR, Transmission Reverse Idler (w/bushings)

29-31	ALL (3-SPEED).....	(15 T—19 T).....	590198	1	7.02
32-36	ALL (3-SPD.) (exc. CC, DC, EC, FC).....	(18 T—16 T).....	590539	1	7.02
33-36	CC, DC, EC, FC (3-SPEED).....	(17—17 spur teeth x $3\frac{1}{8}$ long).....	472931	1	7.02
37-39	ALL (3-SPEED).....	(17—17 spur teeth x $2\frac{3}{4}$ long).....	590925	1	7.02
40-53	PASS. (exc. P.G.).....	(16—16 helical teeth x $2\frac{1}{2}$ long).....	591237	1	6.90
40-54	COMM. (3-SPEED).....	(16—16 helical teeth x $2\frac{1}{2}$ long) ( $\frac{5}{16}$ hole in hub).....	591897	1	6.90
54	PASS. (exc. P.G.).....	(16—16 helical teeth x $2\frac{1}{2}$ long) (4 holes $\frac{1}{4}$ dia.).....	591895	1	6.90
54	COMM. (3-SPD.) (hvy. duty).....		3709341	1	7.90
31-41	ALL (4-SPEED) (exc. LT) (early 1941 only).....	(16 T—26 T) (see Note).....	590494	1	10.43
41-47	ALL (4-SPEED) (late 1941 only).....	(16 T—26 T) (identify by two grooves in hub) (see Note).....	591264	1	10.43
48-54	ALL (4-SPEED).....	(30 T—19 T x $4\frac{11}{16}$ long).....	591410	1	10.43

NOTE: Use gear 590494 w/1st and 2nd speed gear 364193 (34 T—43 T); use gear 591264 w/1st and 2nd speed gear 605555 (34 T—42 T).

#### 4.431 BUSHING, Transmission Reverse Idler Gear

29-31	ALL (3-SPEED).....	( $\frac{3}{4}$ I.D. x $\frac{3}{8}$ O.D. x $1\frac{3}{16}$ length).....	590199	2	.26
29-47	ALL (4-SPEED).....	( $\frac{1}{2}$ I.D. x 1 O.D. x $1\frac{1}{2}$ length).....	590236	2	.34
48-54	ALL (4-SPEED).....	( $1\frac{1}{8}$ I.D. x $1\frac{1}{4}$ O.D. x $1\frac{1}{2}$ length).....	591409	2	.34

#### 4.432 WASHER, Transmission Reverse Idler Gear Thrust

40-54	ALL (3-SPD.) (exc. hvy. duty).....	( $\frac{11}{16}$ I.D.—4 notches x $1\frac{1}{4}$ O.D. x $\frac{1}{2}$ thick).....	591091	2	.06
-------	------------------------------------	--	--------	---	-----

#### 4.433 SHAFT, Transmission Reverse Idler Gear

32-36	ALL (3-SPEED).....	( $\frac{7}{8}$ dia. x $4\frac{37}{64}$ length).....	590542	1	.92
37-54	ALL (3-SPEED).....	( $\frac{3}{4}$ dia. x $4\frac{1}{2}$ length).....	590831	1	.92
54	COMM. (3-SPD.) (hvy. duty).....	( $\frac{7}{8}$ dia. x $2\frac{1}{2}$ O.L.).....	3709309	1	1.15
31-47	ALL (4-SPEED) (exc. LT).....	( $\frac{7}{8}$ dia. x $9\frac{3}{16}$ length).....	590496	1	1.33
48-54	ALL (4-SPEED).....	( $1\frac{1}{8}$ dia. x $8\frac{13}{32}$ length).....	591475	1	2.03

#### 4.435 LOCK—PIN, Transmission Reverse Idler Shaft

32-36	ALL (3-SPD.) (exc. CC, DC, EC, FC).....	screw type ( $\frac{3}{8}$ —16 hex. hd. x 2 O.L.).....	590543	1	.13
33-36	CC, DC, EC, FC (3-SPEED).....	screw type ( $\frac{3}{8}$ —16 hex. hd. x $1\frac{3}{16}$ O.L.).....	472965	1	.18
37-47	ALL (3-SPEED).....				
48-54	ALL (exc. P.G., A.I.).....	PIN, lock ( $\frac{1}{4}$ tapered x $\frac{11}{16}$ length).....	590832	1	.07

#### 4.439 COVER, Transmission Power Take-off

31-54	ALL (4-SPEED) (exc. LT).....	(6 holes $\frac{3}{8}$ dia.).....	590509	1	.25
40-47	ALL (w/Tru-Stop Brake).....	(used when installing Tru-Stop Brake equipment).....	3650522	1	3.18



**4.490 GASKET, Transmission Power Take-off Cover**

31-54	ALL (4-SPEED) (exc. LT).....	(6 holes $\frac{3}{8}$ dia.).....	606668	1	.06
-------	------------------------------	-----------------------------------	--------	---	-----

**4.589 SIGNAL UNIT, Parking Brake**

53-54	PASS.....	(electric).....	986903	1	3.95
53-54	PASS.....	.....	986688	1	2.42

**4.591 LEVER ASSEMBLY, Parking Brake**

29-37	ALL (exc. DC, EA, EC, ED, FA, FC, FD, GE),				
38-47	HC, HD, IC, ID, KC, KD, AK, AL, BK, BL, CK, DP, DR, EP, ER.....	w/sector.....	605404	1	3.86
36-42	ALL 4-SPD. (exc. $\frac{1}{2}$ TON, COE),	less sector.....	602917	1	3.86
46-47	UTIL., DS, ES (exc. COE).....	w/sector.....	597779	1	3.86
38	PASS.....	.....	603715	1	4.69
39-46	COE.....	.....	3651573	1	5.40
40-47	ALL (w/Tru-Stop Brake).....	w/extension only.....	3685283	1	3.80
39-48	PASS.....	w/sector (under cowl).....	3847529	1	3.22
47-54	COE.....	.....			
48-51	1 TON, UTILITY (exc. D-D, COE),	less sector.....	3689319	1	3.95
52-54	ALL (w/Prop. Shaft Brake) (exc. COE)....	w/extension only.....	3687445	1	5.40
48-50	ALL (w/Tru-Stop Brake).....	w/handle.....	3694355	1	3.83
49-50	PASS.....	w/brkt. and chrome handle.....	3700389	1	3.83
51-52	PASS.....	w/brkt. and black handle.....	3699331	1	3.83
53-54	PASS.....	.....			

**4.592 HANDLE, Parking Brake Lever**

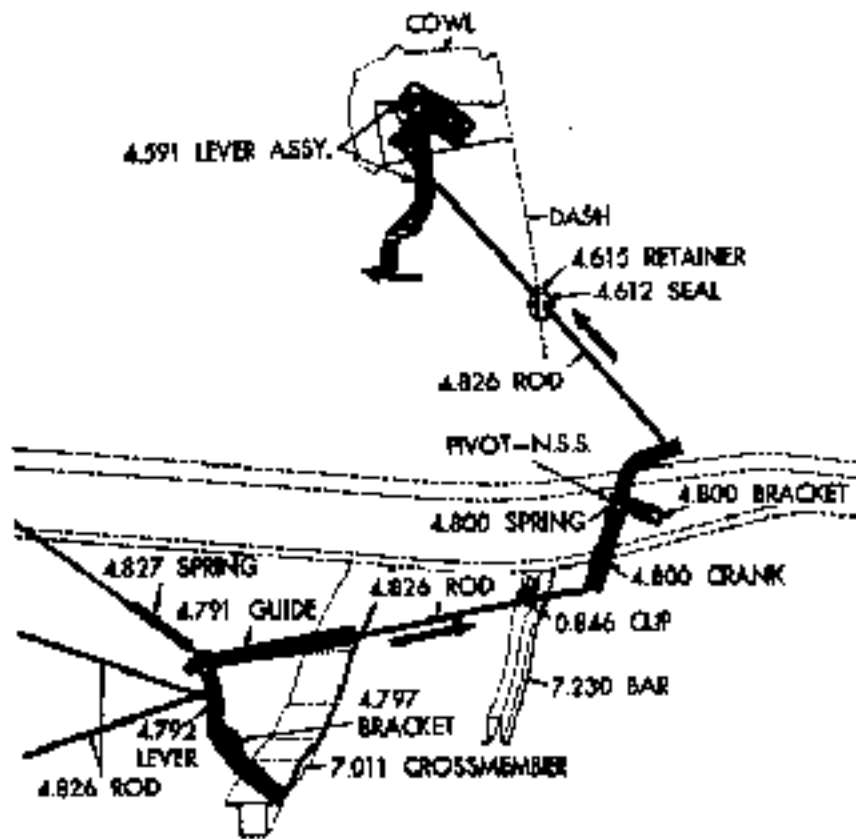
49-52	PASS.....	(chrome).....	3695735	1	1.29
53-54	PASS.....	(black tenite—chrome).....	3699301	1	1.25

**4.594 ROD, Parking Brake Lever Pawl**

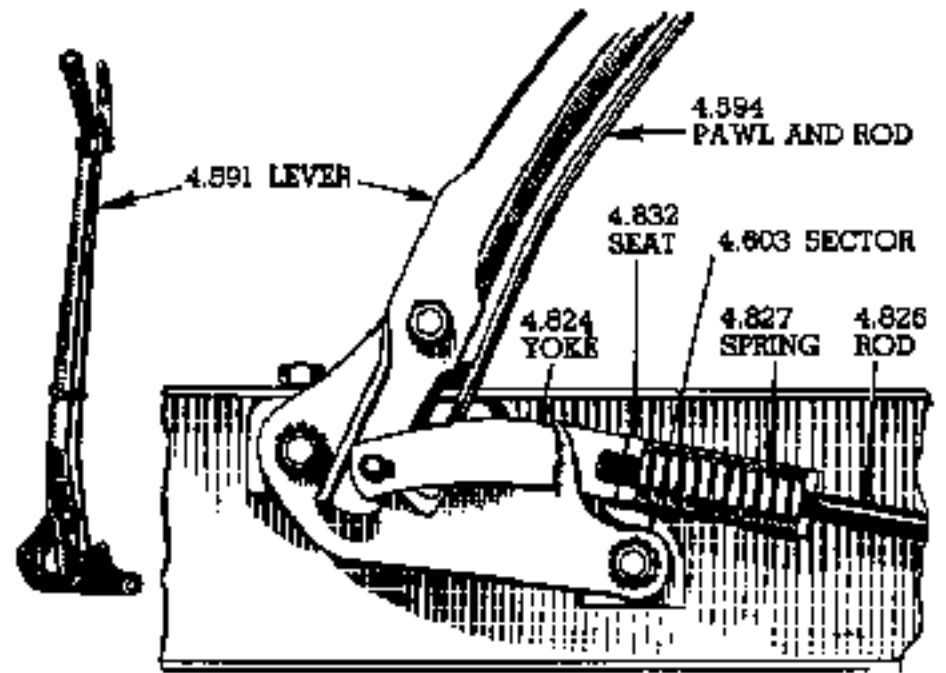
30-40	AD, LR, LS, AE, LT, M, B, N, C, O, D, P, E, Q, FB, GC, GD, HC, HD, IC, ID, KC, KD	w/pawl having $\frac{3}{16}$ dia. hole ( $15\frac{3}{16}$ long)...	597402	1	.77
36-37	PASS.....	w/pawl ( $17\frac{3}{4}$ long).....	477342	1	.77
36-47	UTIL. (exc. COE),	.....			
38-47	HE, JE, KE, KF, AM, AN, BM, BN, DS, ES	w/pawl ( $18\frac{3}{16}$ long).....	2227652	1	.80
39-46	COE.....	upper ( $15\frac{3}{16}$ long).....	3650591	1	.17
39-46	COE.....	lower ( $6\frac{1}{2}$ long).....	3650611	1	.12
41-47	AK, AL, BK, BL, CK, DP, DR, EP, ER.....	w/pawl having $\frac{1}{16}$ dia. hole ( $15\frac{3}{16}$ long)...	605411	1	.77
47-54	COE.....	w/pawl.....	2238100	1	.99
48-51	1 TON, UTILITY (exc. D-D, COE),	.....			
52-54	ALL (w/Prop. Shaft Brake) (exc. COE)....	w/pawl ( $17\frac{11}{16}$ long).....	2244402	1	.78
48-50	$\frac{1}{2}$ , $\frac{3}{4}$ TON (exc. D-D).....	release (17 long, w/ $\frac{1}{4}$ —20 thd. ends) (foot oper.).....	3690165	1	.27
48-50	DUBL-DUTI.....	release ( $4\frac{9}{16}$ long, w/ $\frac{1}{4}$ —20 thd. both ends) (foot oper.).....	3690456	1	.32
51	$\frac{1}{2}$ , $\frac{3}{4}$ TON (exc. D-D),	.....			
52	COMM. (exc. D-D).....	release (18 overall length).....	3696519	1	.27
51-54	DUBL-DUTI.....	release ( $8\frac{3}{16}$ overall length).....	3696612	1	.48
53-54	COMM. (exc. D-D).....	release ( $\frac{1}{4}$ —20 thds. one end— $15\frac{3}{16}$ O.L.).....	3703904	1	.27
48-50	COMM. (exc. D-D).....	BRACKET, release rod (use w/3690165).....	3690166	1	.27
51	$\frac{1}{2}$ , $\frac{3}{4}$ TON (exc. D-D),	.....			
52	COMM. (exc. D-D).....	BRACKET, release rod.....	3696520	1	.27
53-54	COMM. (exc. D-D).....	BRACKET, release rod (use w/3703904).....	3703905	1	.12
48-50	COMM.....	NUT, release rod ( $\frac{1}{4}$ —20 thd.— $\frac{1}{2}$ hd. x $\frac{13}{16}$ ).....	3697275	1	.12
51-54	COMM. (exc. JS).....	GROMMET, release rod ( $\frac{1}{4}$ I.D. x $\frac{3}{4}$ O.D.).....	3696521	1	(9.775)

**4.595 PAWL—BOLT—PIN, Parking Brake Lever**

38	PASS.....	(one $\frac{3}{16}$ one $\frac{1}{16}$ dia. hole).....	597732	1	.18
39-48	PASS.....	(one $\frac{3}{4}$ dia. hole).....	3652752	1	.18
39-46	COE.....	(one $\frac{3}{16}$ one $\frac{5}{16}$ dia. hole).....	3650590	1	.18
49-50	PASS.....	.....	3697878	2	.13
51-54	PASS.....	.....	558903	2	.17
33-40	C, O, D, P, E, F, GC, GD, HC, HD, IC, ID, KC, KD	BOLT, lever ( $\frac{3}{16}$ —24 x 1 w/shoulder).....	371879	1	.06



**PARKING BRAKE—COWL TYPE**



**PARKING BRAKE LEVER**

41-47	AK, AL, BK, BL, CK, DP, DR, EP, ER.....	BOLT, lever (5/16-24 x 1 5/8 w/shoulder).....	3656995	1	.06
41-47	AK, AL, BK, BL, CK, DP, DR, EP, ER.....	BOLT, sector (5/16-24 x 1).....	3656997	1	.06
48-54	COMM. (exc. FS, GS, HS, IS).....	BOLT, pedal lock bar (3/8-24 x 1 3/8) (foot oper.)	3687373	1	.12
49-54	PASS.....	PIN, guide.....	3688497	1	.13

**4.597 SPRING, Parking Brake**

32-37	ALL,				
38-47	COMM., UTILITY,				
48-51	1 TON, UTILITY (exc. D-D),				
52-54	ALL (w/Prop. Shaft Brake).....	pawl rod (1/8 wire) (hand oper.).....	373980	1	.07
39-48	PASS.....	pawl rod (3/8 wire) (hand oper.).....	350346	1	.02
48-54	COMM. (exc. FS, GS, HS, IS).....	locking (1 1/8 I.D. x 1 1/2 long) (foot oper.)..	3695565	1	.06
48-50	COMM. (exc. FS, GS, HS).....	anti-rattle (3/8 O.D.—4 coil) (foot oper.)..	3687152	1	.05
48-51	1 TON, UTILITY (exc. D-D, COE).....	lever (cone type) (2 coils—1 I.D.) (hand oper.).....	3686981	1	.04
52-54	ALL (w/Prop. Shaft Brake) (exc. COE)....	pawl (5/8 O.D.—2 1/2 coils) (hand. oper.)..	3687883	1	.07
49-54	PASS.....				

**4.600 HANDLE—GRIP, Parking Brake**

48-54	COMM. (exc. FS, GS, HS, IS).....	HANDLE, release lever.....	1990717	1	.52
29-37	ALL,				
38-47	COMM., UTILITY,				
48-51	1 TON, UTILITY (exc. D-D),				
52-54	ALL (w/Prop. Shaft Brake).....	GRIP, pawl rod (painted).....	3667897	1	.33
29-37	ALL,				
38-47	COMM., UTILITY,				
48-51	1 TON, UTILITY (exc. D-D),				
52-54	ALL (w/Prop. Shaft Brake).....	SCREW (10-24 x 3/4—no slot).....	3698523	2	.01
29-37	ALL,				
38-47	COMM., UTILITY,				
48-51	1 TON, UTILITY (exc. D-D),				
52-54	ALL (w/Prop. Shaft Brake).....	NUT (10-24 hex.).....	373982	2	.01

**4.603 SECTOR—LOCK—BAR—GUIDE, Parking Brake Lever**

29-37	ALL (exc. EA, ED, EC, FA, FC, FD, R, GC, GD, GE, S).....	(10 teeth, 3 holes 1/8).....	590685	1	.71
35-36	EA, ED, FA, FC, FD.....	( 7 teeth, 3 holes 3/8).....	590755	1	.71
36-40	R, GE, S, HE, T, IE, V, KE, W.....	( 8 teeth, 2 holes 3/8).....	597891	1	.71
37-40	GC, GD, HC, HD, IC, ID, KC, KD.....	(10 teeth, 3 holes 3/8).....	597880	1	.71

40	KF,				
41-51	AM, BM, 1 TON, UTILITY (exc. D-D),				
52-54	ALL (w/Prop. Shaft Brake)	(10 teeth, 2 holes $\frac{3}{8}$ )	3655807	1	.70
41-47	AK, AL, BK, BL, CK, DP, DR, EP, ER	(10 teeth, 2 holes $\frac{3}{8}$ )	3656988	1	.74
48-50	COMM.	LOCK, foot pedal (stamped 3687250)	3687250	1	.82
51-54	COMM. (exc. JS)	LOCK, foot pedal	3696518	1	.69
48-51	$\frac{1}{2}$ , $\frac{3}{4}$ TON (exc. D-D),				
52-54	COMM. (exc. D-D)	BAR, pedal latch ( $1\frac{1}{8}$ dia. x $8\frac{7}{8}$ ctr. to ctr. holes)	3687294	1	1.03
48-54	DUBL-DUTI	BAR, foot ( $1\frac{1}{8}$ dia. x $10\frac{3}{8}$ ctr. to ctr. holes)	3687736	1	1.62
48-54	COMM. (exc. FS, GS, HS, JS)	GUIDE, pedal lock ("U" shape $\frac{1}{4}$ —28 thd.)	3687252	1	.17

#### 4.609 SPACER—WASHER, Parking Brake Lever

41-47	AK, AL, BK, BL, CK, DP, DR, EP, ER	( $\frac{5}{8}$ I.D. x $\frac{3}{8}$ O.D. x $\frac{1}{4}$ long) (hand oper.)	3656998	2	.06
48-51	COMM. (exc. 1 TON, D-D),				
52-54	COMM. (exc. D-D)	( $\frac{3}{4}$ I.D. x $1\frac{1}{4}$ O.D.) (foot oper.)	351469	1	.05
94	COMM. w/A.T.	brake pedal,			
54	D-D w/A.T.	brake idler lever (1 I.D. x $1\frac{1}{2}$ O.D. x $1\frac{3}{4}$ O.L.)	2286292*	1	.85
49-54	PASS.	WASHER, link attach. (spring) ( $\frac{1}{8}$ O.D.)	402546	2	.02

\*NOTE: When using as brake pedal spacer cut off  $\frac{3}{16}$ ".

#### 4.606 SUPPORT—BOLT—LOCK—FULCRUM—PIN—NUT—LINK—FLANGE, Parking Brake Lever

47-54	COE	SUPPORT, lever	3687996	1	4.31
49-53	PASS.	BOLT, mounting bracket to instr. panel ( $\frac{5}{16}$ —24 x $\frac{1}{8}$ cr. rec. hd.)	448614	2	.05
48-51	1 TON, UTILITY (exc. D-D, COE),				
52-54	ALL (w/Prop. Shaft Brake) (exc. COE)	LOCK, lever attach.	358829	1	(5.057)
36-47	UTILITY (exc. QP, QR, QS),				
37-47	GE, HE, JE, KE, KF, AM, AN, BM, BN, DR, DS, ER, ES	FULCRUM, lever ( $\frac{1}{8}$ —20 x $2\frac{1}{8}$ w/ $\frac{5}{8}$ dia. shoulder) (hand oper.)	601142	1	.18
47-54	COE	FULCRUM, lever ( $\frac{1}{8}$ —20 x $1\frac{11}{16}$ w/ $\frac{5}{8}$ dia. shoulder) (hand oper.)	3686026	1	.18
48-51	1 TON, UTILITY (exc. D-D, COE),				
52-54	ALL (w/Prop. Shaft Brake) (exc. COE)	FULCRUM ( $\frac{3}{8}$ dia. x $2\frac{3}{8}$ overall)	591931	1	.27
48-50	ALL (w/Tru. Stop Brake)	FULCRUM	591932	1	.27
48-51	1 TON, UTILITY (exc. D-D, COE),				
52-54	ALL (w/Prop. Shaft Brake) (exc. COE)	PIN ( $\frac{3}{16}$ dia. x 1)	142359	1	(8.940)
49-50	PASS.	NUT ( $1\frac{1}{8}$ —16 thd. x $\frac{3}{8}$ )	3687893	1	.10
49-54	PASS.	LINK ( $\frac{3}{4}$ x $3\frac{3}{8}$ w/2 holes $\frac{5}{16}$ dia.)	3707553	2	.12
51-54	PASS.	FLANGE, housing dash ( $1\frac{1}{8}$ —16)	3695912	1	.27

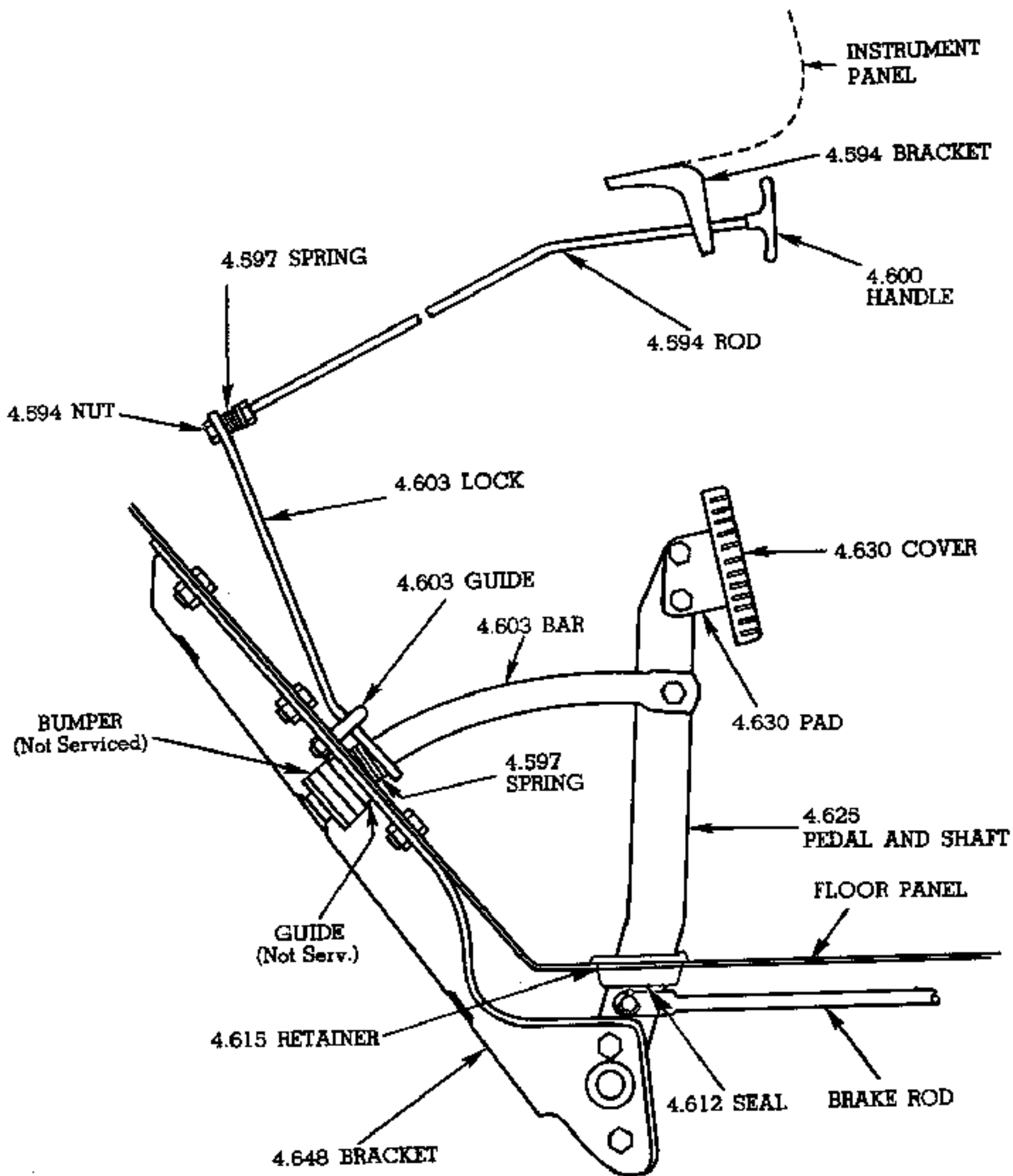
#### 4.612 SEAL, Parking Brake

40-42	COMM., UTIL. (exc. COE)	lever ( $1\frac{1}{8}$ x $5\frac{3}{4}$ x $\frac{3}{8}$ felt) (hand oper.)	3659999	1	.33
39-48	PASS.	lever pull rod ( $1\frac{5}{8}$ O.D., w/ $\frac{3}{8}$ dia. hole—rubber) (hand oper.)	3653684	1	.13
47	COMM., UTIL. (exc. QL, QX, COE)	lever ( $4\frac{1}{2}$ O.L.—rubber) (hand oper.)	3653418	1	.33
47-54	COE	lever ( $2\frac{1}{2}$ x $6\frac{1}{2}$ x $5\frac{3}{8}$ high—rubber) (hand operated)	3686347	1	.67
48-51	COMM. (exc. 1 TON, D-D, FFC),				
52-54	COMM. (exc. D-D, FFC)	floor pan ( $4\frac{5}{8}$ O.L.—rubber) (foot oper.)	3694124*	1	.40
48-51	1 TON, UTILITY (exc. COE, FFC)				
52-54	ALL (w/Prop. Shaft Brake) (exc. COE, FFC)	lever ( $4\frac{7}{8}$ O.L.—rubber) (hand oper.)	3687202	1	.45

\*NOTE: On some models use 3694125 retainer and drill necessary holes for screws.

#### 4.615 PLATE—SCREW—RETAINER, Parking Brake Lever Seal

37-47	ALL (4-SPD.) (exc. COE)	( $2\frac{19}{32}$ x 4)	595026	1	.13
48-51	1 TON, UTIL. (exc. D-D, FFC, COE),				
52-54	ALL (w/Prop. Shaft Brake) (exc. D-D, FFC, COE)	( $2\frac{3}{8}$ x $4\frac{1}{2}$ ) (slot $1\frac{1}{2}$ wide)	3690065	1	.17
39-47	PASS.	SCREW, retainer (14—10 x $\frac{1}{4}$ metal screw)	3652879	2	(12.859)
42	COMM., UTIL. (exc. COE)	SCREW, plate (10—32 x $\frac{1}{8}$ metal screw)	468599	2	(16.310)
48-51	COMM. (exc. 1 TON, D-D, FFC)	RETAINER, foot oper. (use w/3694124) ( $4\frac{1}{4}$ O.L.)	3694125	1	.23
52-54	COMM. (exc. D-D, FFC)				



**PARKING BRAKE CONTROLS (FOOT OPER.)**



#### 4.625 ROD—ARM—PEDAL, Brakes

40-48	PASS.	push, w/pedal.	3653117	1	1.31
49-52	PASS.	push, w/pedal.	3696707	1	(0.832)
53-54	PASS.	push, w/rectangular pedal 2 $\frac{3}{8}$ x 2 $\frac{3}{4}$ .	3701390	1	1.25
40-48	PASS. (exc. CONV.)	ARM.	3652825	1	1.57
41-48	CONV.	ARM.	3659379	1	2.52
48-54	PASS. (exc. CONV.)	ARM (lower half)	3687985	1	1.57
49-54	CONV.	ARM (lower half)	3688867	1	2.52
47-54	COMM., UTIL. (exc. D-D, COE)	ARM, w/bushing (lower half)	3683023	1	2.08
47-54	COE.	ARM, w/bushing (lower half)	3685425	1	2.66
36-39	COMM., UTIL. (exc. $\frac{1}{2}$ TON),				
40-48	COE.	PEDAL, w/bushing (w/hyd. brakes)	592107	1	2.18
36-46	$\frac{1}{2}$ TON.	PEDAL, w/bushing.	475681	1	2.02
40-46	COMM., UTIL. (exc. $\frac{1}{2}$ TON, COE)	PEDAL ASSY.	3682205	1	2.83
47-54	COMM., UTIL. (exc. D-D, COE)	PEDAL (upper half)	3683085	1	1.48
47-54	COE.	PEDAL (upper half)	3685421	1	1.48
48-54	DUBL-DUTI.	PEDAL (upper half)	3687537	1	1.48
48-54	DUBL-DUTI.	PEDAL (lower half)	3688021	1	5.28
48-54	COMM. (exc. D-D, FFC)	PEDAL, foot parking brake, w/shaft	3687295	1	2.74
48-54	DUBL-DUTI.	PEDAL, foot parking brake, w/shaft	3687719	1	2.74

NOTE: For floor opening Insulators see group 0.829.

#### 4.626 BUSHING, Brake Pedal

29-36	A, L, M, B, N, CB, CC, O, P, Q, R (mech. brakes)	( $1\frac{1}{8}$ O.D. x $\frac{3}{4}$ I.D. x $1\frac{1}{4}$ length)	3682020	1	(0.831)
33-36	CA, D, E, F, R, S, T,				
37-39	PASS.,				
37-46	$\frac{1}{2}$ TON.	( $1\frac{1}{8}$ O.D. x $\frac{3}{4}$ I.D. x $1\frac{1}{8}$ length)	3682074	1	(0.831)
36-46	COMM., UTIL. (exc. $\frac{1}{2}$ TON)	( $1\frac{1}{8}$ O.D. x $\frac{3}{4}$ I.D. x $1\frac{1}{8}$ length)	3682017	1	.14
40-54	PASS.	(in brake master cylinder) ( $1\frac{1}{8}$ O.D. x $\frac{3}{4}$ I.D. x $1\frac{1}{4}$ length)	5450452	2	.50
40-52	PASS. (exc. P.G.),				
53-54	PASS.	pedal shaft lock pin ( $\frac{3}{8}$ — $\frac{1}{8}$ )	127875	1	(8.963)
47-54	COMM., UTILITY (exc. COE)	( $1\frac{1}{8}$ O.D. x $1\frac{1}{8}$ long)	3683089*	1	.26
47-54	COE.	(1 O.D. x $\frac{3}{4}$ length)	3686684	2	.20
50-54	PASS. w/P.G.	main cyl. brake shaft reducing fitting ( $\frac{3}{8}$ — $1\frac{1}{8}$ x $\frac{1}{8}$ )	3692283	1	.17

\*NOTE: Used as rear lever on Dubl-Duti models.

#### 4.630 PAD, Pedal, Clutch and Brake

29-36	ALL.	(rubber—4 x $1\frac{1}{4}$ overall)	364022	2	.26
37-52	PASS.	(rubber—3 $\frac{1}{4}$ x $1\frac{1}{8}$ overall)	3657980	2	.26
47-54	COMM., UTILITY.	(rubber—2 $\frac{3}{8}$ x 3 $\frac{1}{8}$ x $\frac{1}{2}$ thick)	3683090*	2	.26
48-54	COMM.	(foot park.—steel—2 $\frac{1}{8}$ wide x 3 $\frac{1}{2}$ long)	3687292	1	.52
53-54	PASS.	(rubber—2 $\frac{3}{8}$ x 3)	3701380	2	.26

\*NOTE: Also used on foot park. brake for 1948-52 COMM.

#### 4.634 LEVER—SHAFT—COLLAR—SPACER, Brake Pedal

NOTE: Also see groups 0.847 and 4.648 for pedal shaft brackets and master cylinder supports.

36-46	UTILITY.	w/bushing (forged 592125) (outer end has 3° twist)	592124	1	.92
40-46	KF, AN, BN, DS.	w/bushing (forged 596776)	596775	1	.92
37-46	GD, HD, ID, KD, AL, BL, DR.	pull rod (parking brake)	3687745	1	.65
48-54	DUBL-DUTI.	brake pedal rear	3687954	1	3.11
48-54	DUBL-DUTI.				
36-46	COMM., UTIL. (exc. $\frac{1}{2}$ TON)	SHAFT ( $\frac{3}{4}$ dia. x 2 $\frac{1}{16}$ O.L.)	592123	1	.25
36-42	FA, FD, COMM., UTILITY (exc. $\frac{1}{2}$ TON).	SHAFT ( $\frac{3}{4}$ dia. x 5 $\frac{1}{16}$ O.L.)	838001	1	(0.833)
36-46	$\frac{1}{2}$ TON.	SHAFT (3 $\frac{1}{8}$ O.L.)	475797	1	.48
47-54	COE.	SHAFT (1 x 5 $\frac{1}{16}$ O.L. ( $\frac{3}{4}$ —16 thd.))	3685518	1	1.33
48-54	DUBL-DUTI.	SHAFT, clutch, brake (1 $\frac{1}{8}$ hex. hd. x 5 $\frac{1}{16}$ O.L.)	3702812	1	(0.833)
47-54	COMM., UTIL. (exc. D-D, COE)	SHAFT, clutch, brake,			
48-54	DUBL-DUTI.	clutch, brake rear lever	3683044	1	(0.833)
36-46	COMM., UTIL. (exc. $\frac{1}{2}$ TON, COE)	COLLAR, pedal shaft ( $\frac{3}{4}$ I.D. x $\frac{1}{8}$ O.D. x $\frac{3}{16}$ )	592141	1	(0.837)
47-54	COMM., UTIL. (exc. D-D, COE)	SPACER (hub spacer and shaft grease seal) (1 I.D. x 1 $\frac{1}{16}$ O.D.),			
48-54	DUBL-DUTI.	(rear lever spacer and shaft grease seal)	3684453	4	(0.837)

30-34	UTILITY,				
37-42	GE, HE, IE, KE, KF, AM, AN, BM, BN,				
46-54	1 TON, D-D (exc. FU, GU)	LOCK, rear brake,			
35-54	UTILITY	front and rear (1 $\frac{1}{8}$ O.D.)	359380	A.R.	(5.057)
40-54	PASS. (exc. P.G.)	LOCK (cross shape)	3652790	1	(0.834)
50-54	PASS. w/P.G.	LOCK, brake pedal shaft (circular)	3692282	1	(0.834)
50-54	PASS. w/P.G.	SPRING, brake pedal shaft lock retainer	3692281	1	(0.837)

#### 4.637 BOLT, Brake Pedal Pull Rod and Adjusting

36	UTILITY,				
37-46	COMM., UTIL. (exc. $\frac{1}{2}$ TON)	brake pedal to pull rod ( $\frac{5}{16}$ —24 x 1 $\frac{1}{2}$ )			
37-39	$\frac{1}{2}$ TON,				
40-46	COMM., UTILITY	master cyl. to pedal ( $\frac{5}{16}$ —24 x 1 $\frac{13}{16}$ )	593581	1	.06
37-38	PASS.,				
40-54	PASS.	brake pedal adjusting ( $\frac{3}{8}$ —24 x 1 $\frac{5}{16}$ )	596894	1	.13
39	PASS.	brake pedal adjusting ( $\frac{3}{8}$ —24 x 1 $\frac{1}{16}$ )	350584	1	.13

#### 4.648 BRACKET—SUPPORT—HOUSING, Brake Cyl. and Parking Brake Pedal Shaft

36-46	$\frac{1}{2}$ TON (3-SPD.)	pedal shaft and main cylinder (2 shaft holes—2 $\frac{1}{8}$ ctr. to ctr.)	475811	1	2.89
36-46	$\frac{1}{2}$ TON (4-SPD.)	pedal shaft, main cyl. (w/shaft)	477083	1	2.89
41-46	COMM., UTIL. (exc. $\frac{1}{2}$ TON, COE)	main cyl. frame (2 holes each side)	3658525	1	.77
36-38	R, S, T (hyd. brakes),				
37-46	COMM. (exc. $\frac{1}{2}$ TON),				
39-46	UTILITY	(1 piece construction)	596603*	1	.43
31-36	UTIL., AE, CC,				
37-46	COMM., UTIL. (exc. $\frac{1}{2}$ TON, COE)	pedal shaft (cast 836421)	836421	1	(0.847)
47-54	COMM., UTIL. (exc. D-D, COE)	clutch and brake (9 $\frac{1}{2}$ long), rear lever shaft (2 holes $\frac{1}{8}$ for ident.)	3684093	1	(0.847)
48-54	DUBL-DUTI	clutch and brake (6 $\frac{1}{2}$ long)	3687488	1	(0.847)
47-54	COE	clutch and brake	3685422	1	(0.847)
48-51	$\frac{1}{2}$ , $\frac{1}{4}$ TON (exc. D-D),				
52-54	COMM. (exc. D-D)	outer, foot park. (17 long)	3687303	1	2.02
48-54	DUBL-DUTI	inner (3 holes $\frac{1}{16}$ square)	3687722	1	.80
48-54	DUBL-DUTI	outer (16 long)	3687723	1	3.49
49-54	CONV.	SUPPORT, main cylinder (8 holes)	3688447	1	1.48
48-54	DUBL-DUTI	HOUSING, parking brake pedal shaft	3687731	1	2.35

\*NOTE: On 1936-38 R, S, T it is necessary to drill 2— $\frac{1}{16}$  dia. holes in frame.

#### 4.649 REPAIR KIT, Hydraulic Brake Main Cylinder

36-50	PASS., $\frac{1}{2}$ TON,		5453950	1	1.70
51-52	PASS.				
36-52	$\frac{1}{4}$ , 1 TON,				
36-54	UTILITY		5454317*	1	2.20
51-52	$\frac{1}{2}$ TON,				
53-54	COMM.		5450962†	1	2.20
53-54	PASS.		5454218†	1	1.70

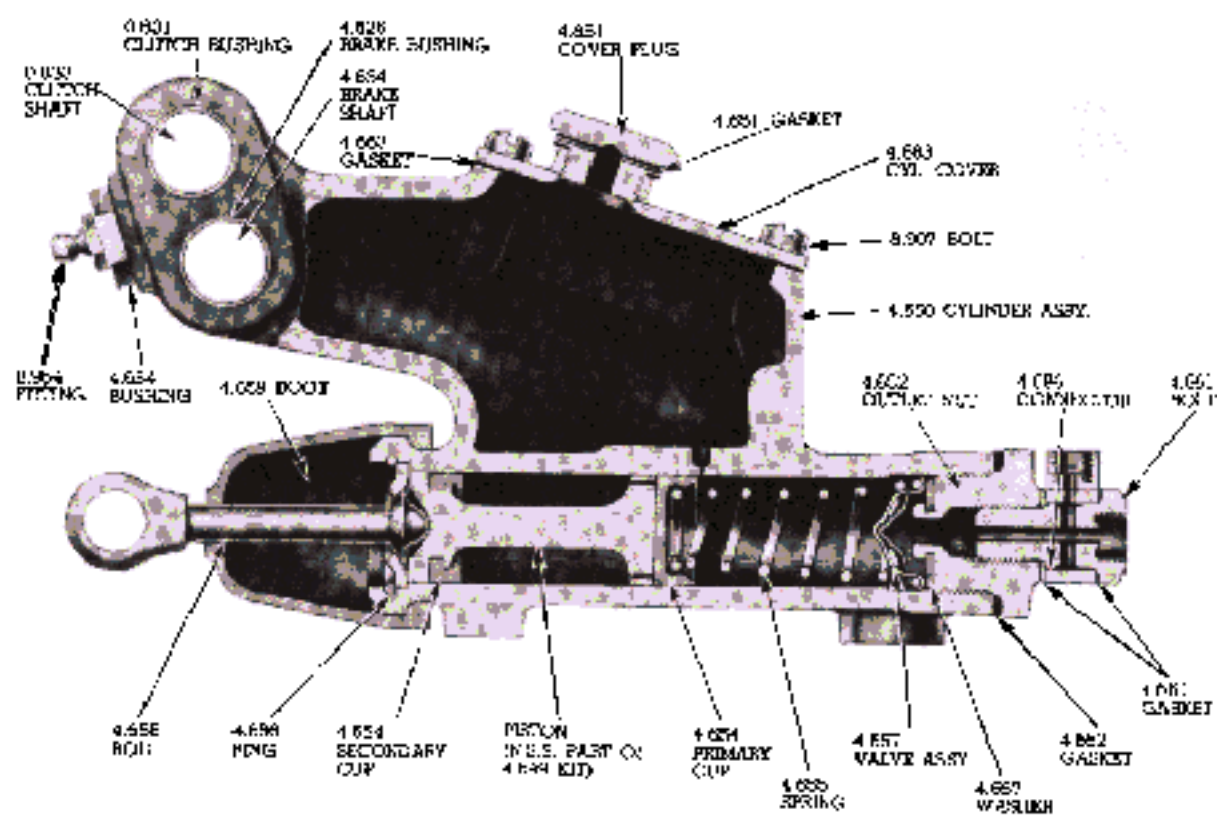
\*NOTE: On 1936-37 it will be necessary to use 5300910 Gasket, 5300908 Washer in place of the Gasket and Washer furnished with Kit. Consists of one each: check valve, primary cup, piston, boot, lock ring, washer, gskt.

†NOTE: On 1936-37 it will be necessary to use 231444 Gasket, 231454 Washer in place of the Gasket and Washer furnished with Kit.

‡NOTE: Consists of same parts shown with 5454317 plus spring w/retainer.

#### 4.650 CYLINDER ASSEMBLY, Hydraulic Brake Main

36	FA, FD	(1 in. dia. cyl.—cast 5450589)	5450588	1	8.50
36-37	FB, FC, GC	(1 in. dia. cyl.—cast 5450256) (does not have $\frac{1}{16}$ hole thru cyl. wall)	5450257	1	8.35
36-37	R, GD, GE, S	(1 $\frac{1}{4}$ in. dia. cyl.—cast 5450259) (does not have $\frac{1}{16}$ hole thru cyl. wall)	5450277	1	9.40
37-39	PASS.	(1 in. dia. cyl.—cast 5450249)	5450248	1	10.75
38-46	$\frac{1}{2}$ TON	(1 in. dia. cyl.—cast 5450256) ( $\frac{1}{16}$ th'd. hole thru cyl. wall)	5450626	1	8.35



## BRAKE MAIN CYLINDER

38-46	COMM., UTIL. (exc. $\frac{1}{2}$ TON).....	( $1\frac{1}{4}$ in. dia. cyl.—cast 5450259) ( $1\frac{1}{2}$ thd'd. hole thru cyl. wall).....	5450629	1	9.40
40-52	PASS. (exc. P.G.) .....	(stamped 323 N) .....	5453737*	1	9.00
47-50	$\frac{1}{2}$ TON.....	(1 in. dia. cyl.).....	5450927	1	8.35
47-51	COMM., UTIL. (exc. $\frac{1}{2}$ TON),				
52-54	KT, KU, UTIL. (exc. VI),				
52-54	VI, N (hvy. duty).....	( $1\frac{1}{4}$ in. dia. cyl.—stamped 361 J) .....	5450929	1	9.40
50-52	PASS. w/P.G. ....	(stamped 323 M) .....	5453738	1	9.10
51	$\frac{1}{2}$ TON,				
53-54	DUBL-DUTI .....	( $1\frac{1}{2}$ in. dia. cyl.—stmp'd 341 H).....	5453837	1	8.85
52	$\frac{1}{2}$ TON,				
53-54	COMM. (exc. D-D).....	( $1\frac{1}{2}$ in. dia. cyl.—stamped 341 J).....	5454022	1	8.85
52-54	KR, KS, VI, N (exc. hvy. duty) .....	( $1\frac{1}{4}$ in. dia. cyl.—stamped 361 K).....	5450936	1	9.40
53-54	PASS. (exc. P.G.) .....	( $\frac{1}{2}$ in. dia. cyl.—stmp'd. 5454126—300A)...	5454126	1	9.00
53-54	PASS. w/P.G. ....	( $\frac{1}{2}$ in. dia. cyl.—stmp'd. 5454138—300B)...	5454138	1	9.00

\*NOTE: On 1940-48 Pass., Gaskets 799303, 799390 and Connector 5453738 must also be used.

### 4.651 PLUG—GASKET, Main Cylinder Filler

36	ALL,				
37-54	COMM., UTILITY .....	( $1\frac{1}{4}$ —18 thds. x $1\frac{1}{16}$ O.D.).....	086958	1	.45
37-54	PASS. ....	( $\frac{3}{4}$ —18 thds. x 1 hex.).....	5300974	1	.50
36	ALL,				
37-54	COMM., UTILITY .....	GASKET ( $1\frac{1}{4}$ I.D. x $1\frac{1}{16}$ O.D.— $\frac{1}{16}$ fibre).....	080445	1	.05
37-54	PASS. ....	GASKET ( $\frac{3}{4}$ I.D. x $\frac{1}{2}$ O.D.— $\frac{1}{2}$ alum.).....	043234	1	.05

### 4.652 NUT—GASKET, Main Cylinder Head, Outlet

36-37	F, GC,				
52	$\frac{1}{2}$ TON,				
53-54	COMM. (exc. D-D) .....	( $1\frac{1}{4}$ —18 ext. x $\frac{1}{2}$ —20 int.— $3\frac{1}{16}$ long)....	5450182	1	.95
36-37	R, GD, GE, S.....	( $1\frac{1}{2}$ —18 ext. x $\frac{1}{2}$ —20 int.— $3\frac{1}{16}$ long)....	5300909	1	.90
37	PASS. ....	(hex., w/washer and insert) .....	5451765	1	1.00
38-48	PASS.,				
38-50	$\frac{1}{2}$ TON.....	( $1\frac{3}{8}$ —18 ext. x $\frac{1}{16}$ —24 int.— $1\frac{1}{16}$ long)....	5450607	1	.80
47-51	COMM., UTIL. (exc. $\frac{1}{2}$ TON),				
52-54	KT, KU, UTIL. (exc. VI),				
52-54	VI, N (hvy. duty).....	( $1\frac{5}{8}$ —18 ext. x $\frac{1}{16}$ —24 int.— $1\frac{1}{8}$ long)....	5450609	1	1.05
49-52	PASS. ....				
51	$\frac{1}{2}$ TON,				
53-54	DUBL-DUTI .....	( $1\frac{1}{4}$ —18 ext. x $\frac{1}{16}$ —24 int.— $1\frac{1}{8}$ long)....	5453886	1	1.00
52-54	KR, KS, VI, N (exc. hvy. duty) .....	( $1\frac{3}{8}$ —18 ext. x $\frac{1}{2}$ —20 int.— $1\frac{1}{8}$ long)....	5450616	1	1.05

53-54	PASS.	(1-18 ext. x 1/2-20 int.-1 1/8 O.L.)	5454148	1	.81
36-37	F, GA, GB, GC,				
51-52	1/2 TON,				
53-54	COMM.	GASKET (1 1/4 I.D. x 1 1/2 O.D.—copper)	231444	1	.10
36-37	R, GD, GE, S.	GASKET (1 1/2 I.D. x 1 3/4 O.D.—copper)	5300910	1	.10
38-50	PASS., 1/2 TON,				
51-52	PASS.	GASKET (1 1/8 I.D. x 1 11/16 O.D.—copper)	5450212	1	.10
38-52	3/4, 1 TON, UTIL.,				
53-54	UTILITY	GASKET (1 3/8 I.D. x 1 1/2 O.D.—copper)	1074842	1	.10
53-54	PASS.	GASKET (1 1/4 I.D. x 1 1/4 O.D. x 1/16 thk.)	5454151	1	.10

#### 4.654 CUP, Main Cylinder Piston

36-50	PASS., 1/2 TON,				
51-52	PASS.	w/ring (marked 1 in.)	5450617	1	.35
36-52	3/4, 1 TON, UTIL.,				
53-54	UTILITY	w/ring (marked 1 1/4 in.)	5450316	1	.35
51-52	1/2 TON,				
53-54	COMM.	w/ring (marked 1 1/8 in.)	5453858	1	.35
53-54	PASS.	w/ring (marked 1/8)	5454141	1	.35
36-50	PASS., 1/2 TON,				
51-52	PASS.	secondary (1 1/8 O.D.)	231432	1	.35
36-52	3/4, 1 TON, UTIL.,				
53-54	UTILITY	secondary (1 1/2 O.D.)	5300900	1	.40
51-52	1/2 TON,				
53-54	COMM.	secondary (1 11/16 O.D.)	1074837	1	.40
53-54	PASS.	secondary (1 1/16 I.D. x 1 1/16 O.D.)	5454140	1	.35

#### 4.655 SPRING, Main Cylinder Piston Return

36-52	3/4, 1 TON, UTIL.,				
53-54	UTILITY	(10 1/2 coils—approx. 3 1/2 free length)	5300902	1	.40
36-50	PASS., 1/2 TON,				
51-52	PASS.	(1 dia.)	5451121	1	.25
51-52	1/2 TON,				
53-54	COMM.	(w/retainer)	5453945	1	.25
53-54	PASS.	(w/retainer) (11 coils—3 3/8 O.L.)	5454142	1	.25

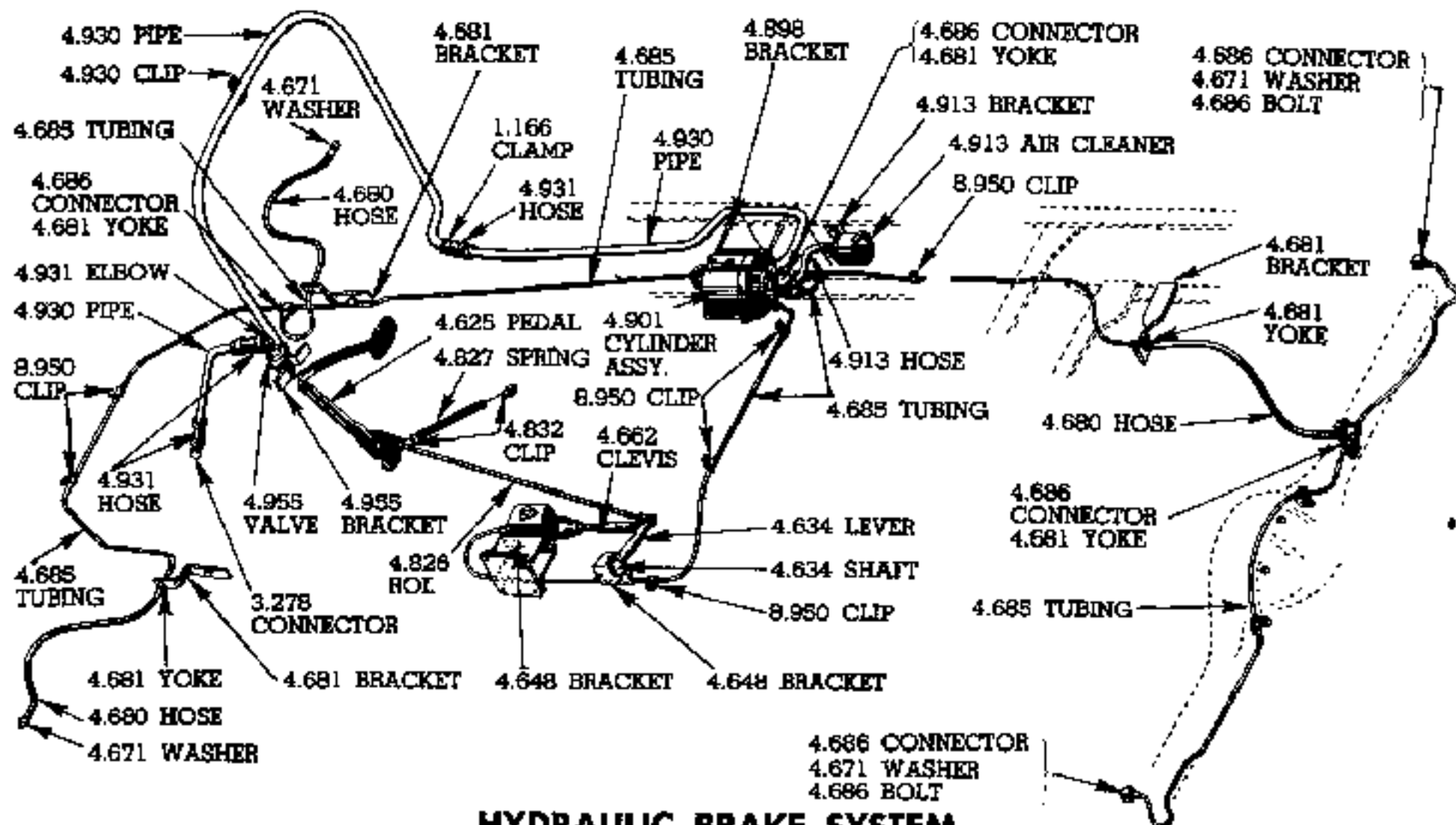
#### 4.656 PLATE—RING, Piston Rod Step

37-50	1/2 TON	(1/2 I.D. x 1 1/8 O.D.)	1074927	1	.06
37-52	3/4, 1 TON, UTIL.,				
53-54	UTILITY	(1/2 I.D. x 1 3/8 O.D.)	5300914	1	.10
51-52	1/2 TON,				
53-54	COMM.	(1 1/4 O.D.)	1074843	1	.05
36-50	PASS., 1/2 TON,				
51-54	PASS.	RING, lock (1 3/8 free O.D.)	231435	1	.05
36-52	3/4, 1 TON, UTIL.,				
53	UTILITY	RING, lock (1 1/16 free O.D.)	5300911	1	.05
51-52	1/2 TON,				
53	COMM.	RING, lock (1 13/32 free O.D.)	1074844	1	.05
54	COMM.	RING, lock	5454389	1	.10
54	UTILITY	RING, lock	5454390	1	.10

#### 4.657 VALVE—WASHER, Main Cylinder

36-50	PASS., 1/2 TON,				
51-52	PASS.	check	5453711	1	.50
36-52	3/4, 1 TON, UTIL.,				
53-54	UTILITY	check	5454320	1	.45
51-52	1/2 TON,				
53-54	COMM.	check, w/spring	5453854	1	.45
53-54	PASS.	check	5454145	1	.45
36-37	ALL (exc. R, GD, GE, S)	WASHER (1/2 I.D. x 1 1/8 O.D.)	231454	1	.20
36-37	R, GD, GE, S.	WASHER (3/4 I.D. x 1 1/8 O.D.)	5300908	1	.40
38-52	PASS., 1/2 TON,				
53-54	COMM.	WASHER (5/8 I.D. x 1 O.D.)	5450150	1	.20
36-52	3/4, 1 TON, UTIL.,				
53-54	UTILITY	WASHER (5/8 I.D. x 1 1/8 O.D.)	5450269	1	.25
53-54	PASS.	WASHER, valve seat (5/8 I.D. x 7/32 O.D. x 1/8)	5454200	1	.20





**HYDRAULIC BRAKE SYSTEM  
(1946-54 TRUCK HYDROVAC SHOWN)**

**4.658 ROD, Main Cylinder Push**

36-46	F, GC, HC, IC, KC, AK, BK, CK, DP, ...	( $\frac{3}{8}$ -24 x $1\frac{1}{8}$ thd.— $3\frac{1}{8}$ O.L.)	5450075 $\frac{1}{2}$	1	.25
36-50	COMM., UTILITY (exc. $\frac{1}{2}$ TON),				
51-54	COMM., UTILITY	( $\frac{3}{8}$ -24 x $1\frac{1}{8}$ thd.— $3\frac{3}{4}$ O.L.)	5450076 $\frac{1}{2}$	1	.40
37-39	PASS.	(3 O.L.)	5300969	1	.60
40-54	PASS.	( $3\frac{3}{8}$ O.L.)	5450454	1	.60
47-50	$\frac{1}{2}$ TON		5450457	1	.39

§NOTE: On series F, GC use 1074927 piston stop plate.

†NOTE: On series R, S use 5300914 piston stop plate.

**4.659 BOOT, Main Cylinder Rubber**

36-52	PASS., $\frac{1}{2}$ TON,				
53-54	PASS., COMM.	(molded 5450551)	5450551	1	.50
36-52	$\frac{3}{4}$ , 1 TON, UTIL.,				
53-54	UTILITY	(molded 5300915)	5300915	1	.45

**4.661 BOLT—GASKET, Main Cylinder Outlet Fitting**

36-37	ALL (exc. GA, GB)	( $\frac{1}{2}$ -20 x $1\frac{1}{2}$ thd.— $1\frac{13}{16}$ O.L.) (tapped hole in head)	5300863	1	.25
46-49	SCH. BUS CH.,				
49-54	CONV.	( $\frac{1}{2}$ -20 x $1\frac{1}{2}$ thd.— $1\frac{13}{16}$ O.L.)	476746	1	.40
49-50	PASS. (exc. CONV.)	( $\frac{1}{2}$ -20 x $1\frac{1}{2}$ thd.— $1\frac{13}{16}$ O.L.) (tapped hole in head)	5450466	1	.50
52-54	$\frac{3}{4}$ , 1 TON, VI, N (exc. D-D)				
51-54	PASS., $\frac{1}{2}$ TON (exc. JP, CONV.)	( $\frac{3}{8}$ -24 int. x $\frac{1}{2}$ -20 ext.— $\frac{3}{4}$ hex. hd.)	3696542	1	.40
36-37	F, R, S,				
40-52	PASS., KP	GASKET, outlet pipe and connector bolt ( $\frac{1}{2}$ I.D. x $1\frac{1}{8}$ O.D.—copper)	799303*	1	.03
53-54	PASS., COMM., N (exc. D-D)				
36-37	F, R, S,				
40-52	PASS., KP	GASKET, outlet pipe and connector bolt ( $1\frac{1}{8}$ I.D. x $1\frac{1}{8}$ O.D.—copper)	799390* A.R.		.03
53-54	PASS., COMM., N (exc. D-D)				

\*NOTE: Used on 1940-48 models only when 8453737 main cylinder is installed.

#### 4.662 CLEVIS, Main Cylinder Adjusting

36	FC					
47-54	COMM., UTIL. (exc. COE)	( $\frac{3}{8}$ -24 x $2\frac{3}{4}$ O.L.)	3682598	1	.17	
37-40	COMM., UTIL. (exc. $\frac{1}{2}$ TON, COE)	( $\frac{3}{8}$ -24 x $3\frac{1}{8}$ O.L.)	596590	1	.30	
39-46	COE	( $\frac{3}{8}$ -24 x $7\frac{1}{4}$ O.L.)	3651325	1	.50	
41-48	COMM., UTIL. (exc. $\frac{1}{2}$ TON, COE)	( $\frac{3}{8}$ -24 x $4\frac{1}{16}$ O.L.)	3657158	1	.40	
36	PASS., $\frac{1}{2}$ TON	PIN, clevis ( $\frac{1}{8}$ O.D. x $1\frac{3}{8}$ O.L.)	475970	1	.06	

#### 4.663 COVER—GASKET, Main Cylinder

37-54	PASS.	(stamped 423A on top)	5300972	1	.60	
37-54	PASS.	GASKET ( $3\frac{1}{8}$ x $2\frac{1}{8}$ overall)	5300973	1	.05	

#### 4.664 MAIN CYLINDER ATTACHING PARTS

36-46	COMM., UTILITY (exc. R)	STUD, main cyl. to brkt. ( $\frac{1}{8}$ -14-20 x $2\frac{1}{16}$ )	5301067	1	.20	
47-54	COMM., UTILITY (exc. COE)	NUT, main cyl. attach. ( $\frac{1}{8}$ -20) ( $\frac{3}{4}$ x $3\frac{1}{8}$ )	3683093	1	.33	
37-39	PASS.	WASHER, main cylinder attach. ( $\frac{13}{16}$ I.D. x $1\frac{1}{4}$ O.D. x $\frac{3}{16}$ thick)	365685	1	.02	

#### 4.665 CYLINDER ASSEMBLY, Wheel Brake

36-48	PASS. (exc. FC, FD, GB, HB)	front, right,				
37-38	GB, HB	front, left ( $1\frac{1}{4}$ dia., cast 5300955)	5300953	1	4.45	
36-48	PASS. (exc. FC, FD, GB, HB)	front, left,				
37-38	GB, HB	front, right ( $1\frac{1}{4}$ dia., cast 5300956)	5300954	1	4.45	
36	FC	front,				
49-50	PASS.	rear ( $1\frac{1}{8}$ dia., cast 1074899)	5300867	2	4.10	
36	FD					
36-50	COMM., UTIL. (exc. 1 TON, D-D),					
51-52	$\frac{3}{4}$ TON (exc. D-D)	front ( $1\frac{1}{4}$ dia., cast 1074903)	5300869	2	4.45	
49-50	PASS.	front, right ( $1\frac{1}{8}$ dia., cast 5450990)	5450988	1	4.55	
49-50	PASS.	front, left ( $1\frac{1}{8}$ dia., cast 5450991)	5450999	1	4.55	
46-52	1 TON, DUBL-DUTL.	front,				
37-42	GE, HE, IE, KE, KF, AM, AN, BM, BN,					
46-52	$\frac{3}{4}$ TON	rear ( $1\frac{3}{8}$ dia., cast 5450072)	5450071	2	4.85	
36-48	PASS. (exc. FC),					
36-50	$\frac{1}{2}$ TON, GD, HD, JD, KD, AL, BL	rear ( $1\frac{3}{8}$ dia., cast 1074896)	5300866	2	4.35	
36	FC	rear ( $1\frac{1}{8}$ dia., cast 5300813)	5300868	2	4.10	
36-50	UTILITY	rear ( $1\frac{1}{8}$ dia., cast 5300892)	5300865	2	5.00	
46-52	1 TON	rear ( $1\frac{3}{8}$ dia., cast 5450072)	5451615	2	5.00	
51-52	PASS.,					
53-54	PASS., D-D	front, right,				
51-54	$\frac{1}{2}$ TON	front, left ( $1\frac{1}{8}$ dia., cast 5450821)	5453817	1	4.10	
51-52	PASS.,					
53-54	PASS., D-D	front, left,				
51-54	$\frac{1}{2}$ TON	front, right ( $1\frac{1}{8}$ dia., cast 5450822)	5453818	1	4.10	
51-52	UTILITY	front ( $1\frac{1}{8}$ dia., cast 5453781)	5453780	2	5.00	
51-54	PASS., $\frac{1}{2}$ TON	rear (1 dia., cast 5453820)	5453819	2	3.90	
51-52	UTILITY	rear, front ( $1\frac{1}{2}$ dia., cast 5453825—4 tapped holes)	5453866	2	5.30	
53	UTILITY (1st type)	rear, rear ( $1\frac{1}{2}$ dia., cast 5453825—5 tapped holes)	5453865	2	5.30	
51-52	UTILITY	rear, front ( $1\frac{1}{2}$ dia., cast 5454251) (one $\frac{1}{8}$ -20, one $\frac{3}{8}$ -24 holes)	5454313	2	5.30	
53	UTILITY (1st type)	rear, rear ( $1\frac{1}{2}$ dia., cast 5454251) (two $\frac{1}{8}$ -20 holes)	5454314	2	5.30	
53-54	UTILITY (2nd type)					
53-54	$\frac{3}{4}$ , 1 TON (exc. D-D)	front,				
53-54	$\frac{3}{4}$ TON	rear, w/ $1\frac{1}{8}$ O.D. piston (cast 5453927)	5453924	A.R.	4.10	
53-54	1 TON	rear, w/ $1\frac{1}{4}$ O.D. piston (cast 5453926)	5453925	2	4.45	
53	UTILITY	front, w/1 O.D. piston (cast 5453990)	5453989	2	3.90	
54	UTILITY	front, w/ $\frac{1}{8}$ O.D. piston (cast 5454387)	5454387	2	3.90	
51-54	UTILITY	COVER, rear wheel, front and rear cyl.	3694530	4	.35	

#### REPAIR KIT

36-48	ALL (exc. FC),					
49-50	COMM., UTIL. (exc. 1 TON, D-D),					
51-52	$\frac{3}{4}$ TON (exc. D-D)	front (2 pistons, 2 cups, 1 spring)	5450431	2	1.25	
36	FC	front,				
49-50	PASS.	rear (2 pistons, 2 cups, 1 spring)	5450427	2	1.25	

46-52	1 TON (exc. D-D),				
51-52	UTILITY	front,			
37-42	GE, HE, JE, KE, KF, AM, AN, BM, BN,				
46-52	$\frac{3}{4}$ , 1 TON (exc. D-D)	rear (2 pistons, 2 cups, 1 spring)	5450434	2	1.25
49-50	PASS.	front (2 pistons, 2 cups, 1 spring)	5453709	2	1.25
36-48	PASS. (exc. FC),				
36-50	$\frac{1}{2}$ TON, GD, HD, ID, KD, AL, BL	rear (2 pistons, 2 cups, 1 spring)	5450429	2	1.25
36	FC	rear (2 pistons, 2 cups, 1 spring)	5450423	2	1.25
36-50	UTILITY	rear (2 pistons, 2 cups, 1 spring)	5450435	2	1.60
51-52	PASS., $\frac{1}{2}$ TON,				
53-54	PASS., COMM.	front,			
53-54	$\frac{3}{4}$ TON	rear (2 pistons, 2 cups, 1 spring, 2 boots)	5450969	2	1.45
51-54	PASS., $\frac{1}{2}$ TON	rear,			
53	UTILITY	front (2 pistons, 2 cups, 1 spring, 2 boots)	5450970	2	1.45
51-54	UTILITY	rear (2 pistons, 2 cups, 1 spring, 2 boots)	5454488	4	2.05
53-54	1 TON	rear (2 pistons, 2 cups, 1 spring, 2 boots)	5454252	2	1.45
54	UTILITY	front (2 pistons, 2 cups, 1 spring, 2 boots)	5454399	2	1.25

#### 4.666 VALVE—SCREW, Wheel Cylinder Bleeder

36-54	ALL	less screw	1074893	4	.10
36-54	ALL	SCREW, front and rear (No. 10—32 x $\frac{1}{4}$ )	5300926	4	.05
50	ALL (w/Midland Vac. Brakes)	SCREW, hyd. cyl. ( $\frac{3}{8}$ —20 x $1\frac{1}{4}$ )	2253936	1	.21

#### 4.667 CUP, Wheel Cylinder Piston

36-48	ALL (exc. FC),				
49-50	COMM., UTILITY (exc. 1 TON, D-D),				
51-52	$\frac{3}{4}$ TON (exc. D-D)	front,			
53-54	1 TON	rear ( $1\frac{1}{4}$ in.)	799299	4	.35
36	FC,				
51-52	PASS., $\frac{1}{2}$ TON,				
53-54	PASS., COMM.	front,			
49-50	PASS.,				
53-54	$\frac{3}{4}$ TON	rear ( $1\frac{1}{8}$ )	1074813	A.R.	.35
49-50	PASS.	front ( $1\frac{1}{8}$ in.)	5450993	4	.35
46-52	1 TON, D-D,				
51-52	UTILITY	front,			
37-42	GE, HE, JE, KE, KF, AM, AN, BM, BN,				
46-52	COMM. (exc. $\frac{1}{2}$ TON)	rear ( $1\frac{1}{8}$ in.)	5450073	A.R.	.35
36-48	PASS. (exc. FC),				
36-50	$\frac{1}{2}$ TON, GD, HD, ID, KD, AL, BL	rear ( $1\frac{1}{8}$ in.)	1074825	4	.35
36	FC	rear ( $1\frac{1}{8}$ in.)	1409123	4	.35
36-50	UTILITY	rear ( $1\frac{1}{2}$ in.)	5300690	4	.40
51-54	PASS., $\frac{1}{2}$ TON	rear,			
53	UTILITY	front (1 in.)	231333	4	.35
51-53	UTILITY (w/vertical cyl.)	rear ( $1\frac{1}{2}$ in.)	5453827	8	.50
53-54	UTILITY (w/diagonal cyl.)	rear ( $1\frac{1}{2}$ in.)	5454486	8	.45
54	UTILITY	rear ( $\frac{1}{8}$ in.) (molded $\frac{1}{8}$ )	5453701	4	.35

#### 4.668 SPRING, Wheel Cylinder Piston

36-50	ALL (exc. FC),				
51-52	COMM., UTILITY (exc. $\frac{1}{2}$ TON)	front,			
36-48	PASS., COMM. (exc. FC),				
49-50	COMM.,				
51-52	$\frac{3}{4}$ , 1 TON,				
53-54	1 TON	rear (10 $\frac{1}{2}$ coils—2 $\frac{1}{2}$ free length)	1074831	4	.10
36	FC	front and rear,			
51-52	PASS., $\frac{1}{2}$ TON,				
53-54	PASS., COMM.	front,			
49-50	PASS.,				
53-54	$\frac{3}{4}$ TON	rear (9 coils—2 $\frac{5}{8}$ free length)	1074946	2	.10
36-50	UTILITY	rear (12 coils—3 free length)	5300891	2	.20
53	UTILITY	front,			
51-54	PASS., $\frac{1}{2}$ TON	rear (11 $\frac{1}{2}$ coils)	1074914	2	.10
51-54	UTILITY	rear (5 conical coils)	5453828	4	.10
54	UTILITY	front (use w/ $\frac{1}{8}$ cyl.) (2 $\frac{1}{2}$ free length)	5453702	2	.10

**4.670 BOOT—SHIELD, Wheel Cylinder**

51-52	PASS., ½ TON,				
53-54	PASS., COMM.	front,			
53-54	¾ TON	rear (1 <sup>3</sup> / <sub>16</sub> O.D.)	5450031	2	.20
53-54	UTILITY	front,			
51-54	PASS., ½ TON	rear (1 <sup>1</sup> / <sub>2</sub> O.D.)	231335	4	.20
51-54	UTILITY	rear (1 <sup>13</sup> / <sub>16</sub> O.D.)	5453829	8	.35
53-54	1 TON	rear (1 <sup>3</sup> / <sub>4</sub> O.D.)	1074822	4	.25
51-54	UTILITY	SHIELD, rear upper	3696364	4	.12

**4.671 WASHER, Brake Connector**

36-50	ALL,				
51	ALL (exc. PASS., ½ TON),				
52-53	ALL,				
54	ALL (exc. N, P)	( <sup>3</sup> / <sub>16</sub> I.D. x <sup>1</sup> / <sub>16</sub> O.D.—.032 copper)	231343	A.R.	.03

**4.672 SCREW, Wheel Cylinder Adjusting**

36-50	ALL,				
51-52	COMM., UTILITY (exc. ½ TON)	front,			
36-42	PASS., COMM.,				
46-50	PASS., COMM. (exc. 1 TON),				
51-52	¾ TON	rear (½—20 x 1 <sup>1</sup> / <sub>2</sub> overall)	1074915	8	.10
36-50	UTILITY	rear (¾—18 x 1 <sup>1</sup> / <sub>2</sub> overall)	5300922	4	.15
46-52	1 TON	rear (¾—18 x 1 <sup>3</sup> / <sub>4</sub> overall)	5451613	4	.15

**4.674 GEAR ASSEMBLY, Wheel Cylinder Adjusting, w/Cover**

36-50	ALL (exc. FC),				
51-52	COMM., UTILITY (exc. ½ TON)	front,			
36-42	PASS., COMM. (exc. FC),				
46-48	PASS., COMM. (exc. 1 TON),				
49-50	COMM. (exc. 1 TON),				
51-52	¾ TON	rear (½—20—1 <sup>11</sup> / <sub>16</sub> I.D.)	1074909	8	.50
36	FC	front and rear,			
49-50	PASS.	rear (½—20—1 <sup>1</sup> / <sub>16</sub> I.D.)	5300804	8	.50
36-50	UTILITY	rear (¾—18—2 <sup>1</sup> / <sub>2</sub> O.D. over teeth)	5300888	4	.60
46-52	1 TON	rear (¾—18—1 <sup>13</sup> / <sub>16</sub> I.D.)	5451614	4	.60

**4.675 ROD, Wheel Cyl. to Brake Shoe Thrust**

53-54	UTILITY	front,			
51-52	PASS., ½ TON,				
53-54	PASS., COMM.	front and rear (2 <sup>1</sup> / <sub>16</sub> long)	3694701	8	.15
51-54	UTILITY	rear (2 <sup>13</sup> / <sub>16</sub> long)	5453830	8	.30

**4.678 PINION UNIT, Rear Wheel Cylinder Adjusting**

36-50	UTILITY	(consists of 2 pinions, 2 shafts, 2 springs,			
46-52	1 TON	2 washers)	3705288	2	.67

**4.680 HOSE ASSEMBLY, Hydraulic Brake**

36-50	ALL,				
51-54	COMM., UTILITY (exc. ½ TON)	( <sup>1</sup> / <sub>16</sub> —20 ext.— <sup>1</sup> / <sub>16</sub> —24 int.—16 <sup>11</sup> / <sub>16</sub> length)	476719	3	1.75
51-54	PASS., ½ TON	( <sup>1</sup> / <sub>16</sub> —20 ext.— <sup>3</sup> / <sub>8</sub> —24 int.—17 length)	3696551	3	1.70

**4.681 BRACKET, Brake Hose**

36-49	COMM., UTILITY (exc. ½ TON),				
50-53	1 TON D-D, UTILITY	rear	592137	1	.13
40-48	PASS.	rear	3688162	1	.27
47-54	½ TON	rear	3676227	1	.28
47-49	COE (1st design),				
47-54	COMM., UTILITY (exc. D-D, COE)	front (2 holes <sup>5</sup> / <sub>16</sub> dia.—1 <sup>5</sup> / <sub>16</sub> ctr. to ctr.)	3683951	2	.13
49-50	PASS.	front (L.H.)	3688949	1	.28
49-50	PASS.	front (R.H.)	3688950	1	.28
49-54	PASS.	rear	3687926	1	.27
51-54	PASS.	front	3694698	2	.28
49-54	COE (2nd design)	front (2 holes <sup>5</sup> / <sub>16</sub> dia.—1 <sup>1</sup> / <sub>4</sub> ctr. to ctr.)	3698031	2	.23
54	1 TON, UTILITY	rear (dev. length 10)	3705698	1	.20



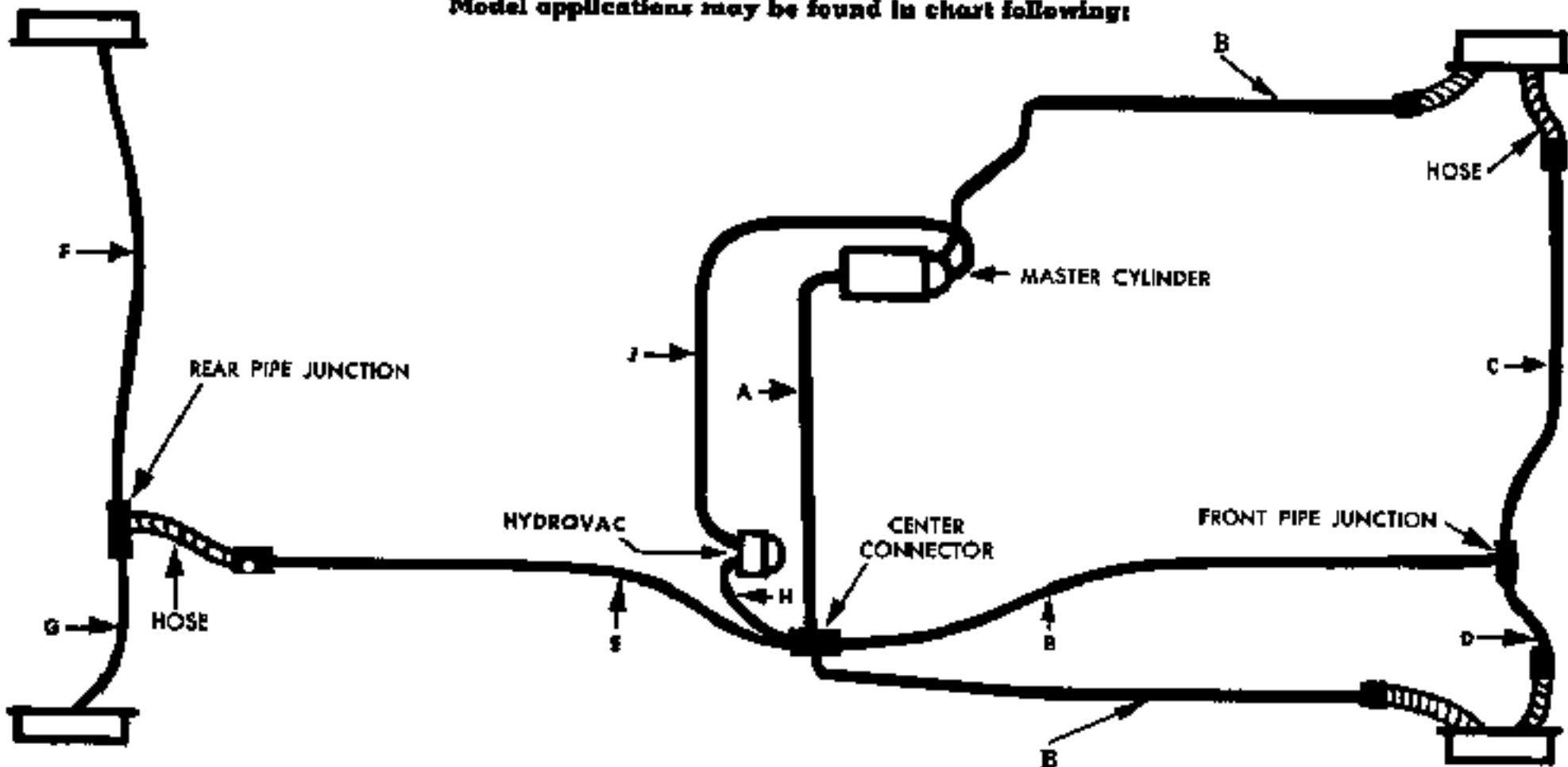
**YOKE, Hose and Tee Connector Spring**

36-54	ALL	(1 1/8 x 1 1/4 overall)	476737	2	.06
<b>4.682 FLUID—DECLENE—LUBRICANT, Hydraulic Brake</b>					
36-54	PASS.	super No. 9 (1 pint)	5450287	A.R.	1.00
36-54	PASS.	super No. 9 (1 quart)	5450285	A.R.	1.95
36-54	PASS.	super No. 9 (1 gallon)	5450286	A.R.	6.90
36-54	PASS.	super No. 9 (5 gallon)	5450288	A.R.	33.00
36-54	PASS.	super No. 9 (30 gallon)	5450920	A.R.	195.00
36-54	COMM., UTILITY	super No. 11 (1 pint)	5453723	A.R.	1.25
36-54	COMM., UTILITY	super No. 11 (1 quart)	5453724	A.R.	2.30
36-54	COMM., UTILITY	super No. 11 (1 gallon)	5451232	A.R.	8.40
36-54	COMM., UTILITY	super No. 11 (5 gallon)	5451233	A.R.	40.00
36-54	ALL	DECLENE, flushing fluid (1 quart)	5450412	A.R.	.95
ALL	ALL	LUBRICANT (1 lb. can)	5450032	A.R.	1.20

**4.683 PIPE, Hydraulic Brake**

51-53	UTILITY (w/vertical cylinders)	rear wheel, front to rear cyl. connecting (13 3/8 dev. length, 3/8 O.D.)	3697735	2	.45
53-54	UTILITY (w/diagonal cylinders)	rear wheel, front to rear cyl. connecting (15 dev. length, 1/4 O.D.)	3704424	2	.45
36-54	ALL	TUBING, steel, 1/4 O.D. x 25 ft. coil	603827	A.R.	(8.964)
51-54	PASS., 1/2 TON.	TUBING, steel, 3/8 O.D. x 25 ft. coil	3696822	A.R.	(8.964)
36	FA	NUT, inverted flared tube (used in making up front brake junct. to left front brake hose pipe)	476674	A.R.	(4.686)
36-54	ALL	NUT, inverted flared tube (for 1/4 tubing)	137397	A.R.	(8.963)

Model applications may be found in chart following:



NOTE: All developed lengths as shown in following chart are to be cut from Steel Coil Tubing (8.964)

- "A" Main cylinder to center connector.
- "B" Center connector to front pipe junction.  
(BL is "B" left hand)  
(BR is "B" right hand)
- "C" Front brake junction to left front brake hose.
- "D" Front brake junction to right front brake hose.
- "E" Center connector to rear brake hose.
- "F" Rear brake hose junction to left brake.
- "G" Rear brake hose junction to right brake.
- "H" Hydrovac to center junction.
- "J" Brake main cylinder to hydrovac.

	A	BL	BR	C	D	E	F	G	H	J		A	BL	BR	C	D	E	F	G	H	J
1936												1937									
FA	43.5	—	79.0	35.0	—	27.5	48.0	18.5	—	—	GA	32.0	—	58.5	32.0	13.5	61.5	46.5	18.5	—	—
FD	43.5	—	83.5	31.0	11.5	27.5	48.0	18.5	—	—	GB	32.0	—	41.5	45.5	13.5	61.5	46.5	18.5	—	—
FB	33.5	—	51.5	46.5	—	45.5	48.0	18.5	—	—	GC	41.5	—	23.5	50.5	13.5	77.5	49.0	19.5	—	—
FC	27.5	—	48.0	32.5	—	54.0	45.0	18.0	—	—	GD	45.0	—	23.5	50.5	13.5	88.0	44.0	22.0	—	—
RA-RB	48.5	—	60.0	48.0	—	60.5	43.0	21.0	—	—	GE	45.0	—	23.5	50.5	13.5	88.0	44.0	22.0	—	—
RC-RD	48.5	—	60.0	48.0	—	86.5	43.0	21.0	—	—	SA	58.5	—	55.5	50.5	13.5	61.0	47.5	25.0	—	—

1937	A	Bl	Bn	C	D	E	F	G	H	J
SB	58.5	—	55.5	50.5	13.5	61.0	47.5	25.0	—	—
SC	58.5	—	55.5	50.5	13.5	87.0	47.5	25.0	—	—
SD	58.5	—	55.5	50.5	13.5	87.0	47.5	25.0	—	—
1938										
HA	32.0	—	58.5	32.0	13.5	61.5	46.5	18.0	—	—
HB	32.0	—	41.5	45.5	13.5	61.5	46.5	18.0	—	—
HC	46.0	—	23.5	50.5	13.5	77.5	49.0	19.5	—	—
HD	45.0	—	23.5	50.5	13.5	88.0	44.0	22.0	—	—
HE	45.0	—	23.5	50.5	13.5	88.0	44.0	22.0	—	—
TA	67.0	—	55.5	50.5	13.5	61.0	47.5	25.0	—	—
TB	67.0	—	55.5	50.5	13.5	61.0	47.5	25.0	—	—
TC	67.0	—	55.5	50.5	13.5	87.0	47.5	25.0	—	—
TD	67.0	—	55.5	50.5	13.5	87.0	47.5	25.0	—	—
1939										
JA	32.0	—	43.0	42.5	23.0	61.5	46.5	18.0	—	—
JB	32.0	—	45.5	28.0	13.5	61.5	46.5	18.0	—	—
JC	46.0	—	23.5	50.5	13.5	79.0	49.0	19.5	—	—
JD	45.0	—	23.5	50.5	13.5	89.5	44.0	22.0	—	—
JE	45.0	—	23.5	50.5	13.5	89.5	44.0	22.0	—	—
VA	67.0	—	57.0	50.5	13.5	61.0	47.5	25.0	—	—
VB	67.0	—	57.0	50.5	13.5	61.0	47.5	25.0	—	—
VC	67.0	—	57.0	50.5	13.5	87.0	47.5	25.0	—	—
VD	67.0	—	57.0	50.5	13.5	87.0	47.5	25.0	—	—
VE	82.5	—	28.5	54.0	13.5	65.0	47.5	25.0	—	—
VF	82.5	—	28.5	54.0	13.5	65.0	47.5	25.0	—	—
VG	82.5	—	28.5	54.0	13.5	89.5	47.5	25.0	—	—
VH	82.5	—	28.5	54.0	13.5	89.5	47.5	25.0	—	—
VM	82.5	—	28.5	54.0	13.5	115.0	47.5	25.0	—	—
VN	82.5	—	28.5	54.0	13.5	115.0	47.5	25.0	—	—
1940										
KA	37.0	—	48.5	42.5	23.0	57.5	46.5	18.0	—	—
KH	37.0	—	48.5	42.5	23.0	57.5	46.5	18.0	—	—
KB	37.0	—	54.5	27.5	13.5	57.5	46.5	18.0	—	—
KC	46.0	—	23.5	50.5	13.5	78.5	49.0	19.5	—	—
KD	42.5	—	23.5	50.5	13.5	89.5	44.0	22.0	—	—
KE	42.5	—	23.5	50.5	13.5	89.5	44.0	22.0	—	—
KF	67.0	—	57.0	50.5	13.5	61.0	50.0	25.0	—	—
WA	67.0	—	57.0	50.5	13.5	61.0	50.0	25.0	—	—
WB	67.0	—	57.0	50.5	13.5	87.0	50.0	25.0	—	—
WC	67.0	—	57.0	50.5	13.5	123.5	50.0	25.0	—	—
WD	82.5	—	28.5	54.0	13.5	65.0	50.0	25.0	—	—
WE	82.5	—	28.5	54.0	13.5	89.5	50.0	25.0	—	—
WF	82.5	—	28.5	54.0	13.5	115.0	50.0	25.0	—	—
1941										
AH	37.5	—	48.5	37.5	18.0	61.0	48.5	18.0	—	—
AG	37.5	—	48.5	37.5	18.0	61.0	48.5	18.0	—	—
CONV.	32.5	—	48.5	41.0	22.0	62.0	48.5	18.0	—	—
AK	46.0	—	23.5	50.5	12.5	80.0	50.5	19.5	—	—
AL	42.5	—	23.5	50.5	12.5	89.5	44.0	22.0	—	—
AM	42.5	—	23.5	50.5	12.5	89.5	44.0	22.0	—	—
AN	69.0	—	59.0	50.5	12.5	61.0	44.0	22.0	—	—
YR	69.0	—	59.0	50.5	12.5	61.0	50.0	27.0	—	—
YS	69.0	—	59.0	50.5	12.5	87.0	50.0	27.0	—	—
YT	69.0	—	59.0	50.5	12.5	123.5	50.0	27.0	—	—
YU	82.5	—	28.5	54.0	—	67.5	50.0	27.0	—	—
YV	82.5	—	28.5	54.0	—	91.0	50.0	27.0	—	—
YW	82.5	—	28.5	54.0	—	118.0	50.0	27.0	—	—
1942										
BH	37.5	—	48.5	37.5	18.0	61.0	48.5	18.0	—	—
BG	37.5	—	48.5	37.5	18.0	61.0	48.5	18.0	—	—
CONV.	32.5	—	48.5	41.0	22.0	62.0	48.5	18.0	—	—
BK	46.0	—	23.5	50.5	12.5	80.0	50.5	19.5	—	—
BL	42.5	—	23.5	50.5	12.5	89.5	44.0	22.0	—	—
BM	42.5	—	23.5	50.5	12.5	89.5	44.0	22.0	—	—
BN	69.0	—	59.0	50.5	12.5	61.0	44.0	22.0	—	—
MR	69.0	—	59.0	50.5	12.5	61.0	50.0	27.0	—	—
MS	69.0	—	59.0	50.5	12.5	87.0	50.0	27.0	—	—
MY	69.0	—	59.0	50.5	12.5	87.0	50.0	27.0	—	—
MT	69.0	—	59.0	50.5	12.5	123.5	50.0	27.0	—	—
MU	82.5	—	28.5	54.0	—	67.5	50.0	27.0	—	—
MV	82.5	—	28.5	54.0	—	91.0	50.0	27.0	—	—
MW	82.5	—	28.5	54.0	—	118.0	50.0	27.0	—	—
1946										
DK	37.5	—	48.5	37.5	18.0	61.0	48.5	18.0	—	—
DJ	37.5	—	48.5	37.5	18.0	61.0	48.5	18.0	—	—
CONV.	32.5	—	48.5	41.0	22.0	62.0	48.5	18.0	—	—
CK DP	46.0	—	23.5	50.5	12.5	80.0	50.5	19.5	—	—
DR	42.5	—	23.5	50.5	12.5	89.5	44.0	22.0	—	—
DS	69.0	—	59.0	50.5	12.5	61.0	50.0	22.0	—	—
OR PJ	69.0	—	59.0	50.5	12.5	61.0	50.0	27.0	50.0	68.5
OS PK	69.0	—	59.0	50.5	12.5	87.0	50.0	27.0	50.0	68.5
OW PL	69.0	—	59.0	50.5	12.5	87.0	50.0	27.0	50.0	68.5
OY	69.0	—	59.0	50.5	12.5	123.5	50.0	27.0	50.0	68.5

1946	A	Bl	Br	C	D	E	F	G	H	J
OE PV	69.0	—	59.0	50.5	12.5	61.0	50.0	27.0	50.0	68.5
OF PW	69.0	—	59.0	50.5	12.5	87.0	50.0	27.0	50.0	68.5
OG PX	69.0	—	59.0	50.5	12.5	123.5	50.0	27.0	50.0	68.5
OH PP	69.0	—	28.5	54.0	—	67.5	50.0	27.0	50.0	68.5
OI PR	69.0	—	28.5	54.0	—	91.0	50.0	27.0	50.0	68.5
OJ PS	69.0	—	28.5	54.0	—	118.0	50.0	27.0	50.0	68.5
1947										
EK	37.5	—	48.5	37.5	18.0	61.0	48.5	18.0	—	—
EJ	37.5	—	48.5	37.5	18.0	61.0	48.5	18.0	—	—
CONV.	32.5	—	48.5	41.0	22.0	62.0	48.5	18.0	—	—
EP	49.0	—	25.5	56.0	12.5	80.0	48.0	16.5	—	—
ER	49.0	—	25.5	56.0	12.5	86.0	45.5	22.0	—	—
ES	49.0	—	25.5	56.0	12.5	98.5	45.5	22.0	—	—
OJ	49.0	—	25.5	56.0	12.5	98.5	48.0	25.0	—	—
OK	85.0	—	55.5	56.0	12.5	91.5	48.0	25.0	—	—
OL	85.0	—	55.5	56.0	12.5	91.5	48.0	25.0	20.0	74.5
OV	71.5	—	55.5	56.0	12.5	67.5	50.0	27.0	20.0	74.5
OW	71.5	—	55.5	56.0	12.5	91.5	50.0	27.0	20.0	74.5
OX	71.5	—	55.5	56.0	12.5	129.0	50.0	27.0	20.0	74.5
OP	30.5	—	27.0	59.5	—	69.5	50.0	27.0	48.0	30.5
OR	30.5	—	27.0	59.5	—	93.5	50.0	27.0	48.0	30.5
OS	30.5	—	27.0	59.5	—	118.0	50.0	27.0	48.0	30.5
1948										
FK	37.5	—	48.5	37.5	18.0	61.0	48.5	18.0	—	—
FJ	37.5	—	48.5	37.5	18.0	61.0	48.5	18.0	—	—
CONV.	32.5	—	48.5	41.0	22.0	62.0	48.5	18.0	—	—
FP	49.0	—	25.5	56.0	12.5	80.0	48.0	16.5	—	—
FR	49.0	—	25.5	56.0	12.5	86.0	45.5	22.0	—	—
FT	49.0	—	25.5	56.0	12.5	98.5	45.5	22.0	—	—
FS	49.0	—	25.5	56.0	12.5	98.5	45.5	22.0	—	—
FU	49.0	—	25.5	56.0	12.5	98.5	45.5	22.0	—	—
RI	49.0	—	25.5	56.0	12.5	98.5	48.0	25.0	20.0	74.5
RK	85.0	—	55.5	56.0	12.5	91.5	48.0	25.0	20.0	74.5
RL	85.0	—	55.5	56.0	12.5	91.5	48.0	25.0	20.0	74.5
RV	71.5	—	55.5	56.0	12.5	67.5	50.0	27.0	20.0	74.5
RW	71.5	—	55.5	56.0	12.5	91.5	50.0	27.0	20.0	74.5
RX	71.5	—	55.5	56.0	12.5	129.0	50.0	27.0	20.0	74.5
RP	30.5	—	27.0	59.5	—	69.5	50.0	27.0	48.0	30.5
RR	30.5	—	27.0	59.5	—	93.5	50.0	27.0	48.0	30.5
RS	30.5	—	27.0	59.5	—	118.0	50.0	27.0	48.0	30.5
1949										
GK	2100	41.0	34.5	48.0	—	—	60.5	43.5	20.0	—
GI	1500	41.0	34.5	48.0	—	—	60.5	43.5	20.0	—
CONV.	2100	45.0	28.5	51.0	—	—	51.0	43.5	20.0	—
GP	3100	49.0	—	25.5	56.0	12.5	101.5	48.0	16.5	—
GR	3600	49.0	—	25.5	56.0	12.5	86.0	45.5	22.0	—
GT	3700	49.0	—	25.5	56.0	10.5	86.0	45.5	22.0	—
GS	3800	49.0	—	25.5	56.0	12.5	98.5	45.5	22.0	—
GU	3900	49.0	—	25.5	56.0	10.5	98.5	45.5	22.0	—
SJ	4100	49.0	—	25.5	56.0	12.5	98.5	48.0	25.0	20.0
SK	4400	85.0	—	55.5	56.0	12.5	91.5	48.0	25.0	20

1951	A	Bl	Br	C	D	E	F	G	H	J
JT	3700	49.0	—	25.5	56.0	10.5	86.0	44.5	22.0	—
JS	3800	49.0	—	25.5	56.0	12.5	98.5	44.5	22.0	—
JU	3900	49.0	—	25.5	56.0	10.5	98.5	44.5	22.0	—
UJ	4100	49.0	—	25.5	56.0	12.5	98.5	43.5	20.0	74.5
UK	4400	85.0	—	55.5	56.0	12.5	91.5	43.5	20.0	74.5
UL	4500	85.0	—	55.5	56.0	12.5	91.5	43.5	20.0	74.5
UV	6100	71.5	—	55.5	56.0	12.5	67.5	44.0	22.0	74.5
UW	6400	71.5	—	55.5	56.0	12.5	91.5	44.0	22.0	74.5
UY	6500	71.5	—	55.5	56.0	12.5	109.5	44.0	22.0	74.5
UX	6700	71.5	—	55.5	56.0	12.5	129.0	44.0	22.0	74.5
UP	5100	30.5	—	27.0	59.5	14.0	69.5	44.0	22.0	48.0 30.5
UR	5400	30.5	—	27.0	59.5	14.0	93.5	44.0	22.0	48.0 30.5
US	5700	30.5	—	27.0	59.5	14.0	118.0	44.0	22.0	48.0 30.5
1952										
KK	2100	41.0	32.5	48.0	—	—	60.5	43.5	19.0	—
KJ	1500	41.0	32.5	48.0	—	—	60.5	43.5	19.0	—
CONV.	2100	45.0	28.5	51.0	—	—	51.0	43.5	19.0	—
KP	3100	49.0	—	25.5	49.5	33.0	101.5	47.5	16.5	—
KR	3600	49.0	—	25.5	37.5	26.0	86.0	44.5	22.0	—
KT	3700	49.0	—	25.5	—	10.5	86.0	44.5	22.0	—
KS	3800	49.0	—	25.5	37.5	26.0	98.5	44.5	22.0	—
KU	3900	49.0	—	25.5	—	10.5	98.5	44.5	22.0	—
VJ	4100	49.0	—	25.5	37.5	26.0	98.5	44.5	21.0	20.0 74.5
VK	4400	85.0	—	55.5	56.0	12.5	91.5	44.5	21.0	20.0 74.5
VL	4500	85.0	—	55.5	56.0	12.5	91.5	44.5	21.0	20.0 74.5
VV	6100	71.5	—	55.5	56.0	12.5	67.5	45.0	22.5	20.0 74.5
VW	6400	71.5	—	55.5	56.0	12.5	91.5	45.0	22.5	20.0 74.5
VY	6500	71.5	—	55.5	56.0	12.5	109.5	45.0	22.5	20.0 74.5
VX	6700	71.5	—	55.5	56.0	12.5	129.0	45.0	22.5	20.0 74.5
VZ	6800	71.5	—	55.5	56.0	12.5	142.0	45.0	22.5	20.0 74.5
VP	5100	30.5	—	27.0	59.5	14.0	69.5	45.0	22.5	48.0 30.5
VR	5400	30.5	—	27.0	59.5	14.0	93.5	45.0	22.5	48.0 30.5
VS	5700	30.5	—	27.0	59.5	14.0	118.0	45.0	22.5	48.0 30.5
1953										
A	1500	43.5	32.5	46.0	—	—	49.0	42.5	19.0	—
B	2100	43.5	32.5	46.0	—	—	49.0	42.5	19.0	—
C	2400	43.5	32.5	46.0	—	—	49.0	42.5	19.0	—
D	1508	43.5	32.5	46.0	—	—	49.0	42.5	19.0	—
CONV.	2400	45.0	26.5	51.5	—	—	49.0	42.5	19.0	—

1953	A	Bl	Br	C	D	E	F	G	H	J
H	3100	49.0	44.5	34.5	—	—	101.5	48.0	16.5	—
J	3600	49.0	35.5	27.0	—	—	86.0	44.0	22.0	—
K	3700	49.0	—	28.5	48.0	12.5	86.0	44.0	22.0	—
L	3800	49.0	35.5	27.0	—	—	98.5	44.0	22.0	—
M	3900	49.0	—	28.5	48.0	12.5	98.5	44.0	22.0	—
N	4100	49.0	35.5	27.0	—	—	98.5	45.0	21.0	20.0 74.5
P	4400	85.0	—	56.5	56.0	12.0	91.5	45.0	21.0	20.0 74.5
R	4500	85.0	—	56.5	56.0	12.0	91.5	45.0	21.0	20.0 74.5
S	5100	31.0	—	29.0	59.0	13.5	69.5	45.0	22.5	48.0 30.5
T	5400	31.0	—	29.0	59.0	13.5	93.5	45.0	22.5	48.0 30.5
U	5700	31.0	—	29.0	59.0	13.5	118.0	45.0	22.5	48.0 30.5
V	6100	71.5	—	56.5	56.0	12.0	67.5	45.0	22.5	20.0 74.5
W	6400	71.5	—	56.5	56.0	12.0	91.5	45.0	22.5	20.0 74.5
X	6500	71.5	—	56.5	56.0	12.0	109.5	45.0	22.5	20.0 74.5
Y	6700	71.5	—	56.5	56.0	12.0	129.0	45.0	22.5	20.0 74.5
Z	6800	71.5	—	56.5	56.0	12.0	142.0	45.0	22.5	20.0 74.5
1954										
A	1500	43.5	32.5	46.0	—	—	49.0	42.5	19.0	—
B	2100	43.5	32.5	46.0	—	—	49.0	42.5	19.0	—
C	2400	43.5	32.5	46.0	—	—	49.0	42.5	19.0	—
D	1508	43.5	32.5	46.0	—	—	49.0	42.5	19.0	—
CONV.	2400	45.0	26.5	51.5	—	—	49.0	42.5	19.0	—
H	3100	48.5	44.5	34.0	—	—	101.5	48.0	16.0	—
J	3600	48.5	35.5	27.0	—	—	86.0	44.0	21.0	—
K	3700	48.5	—	28.5	48.0	12.5	86.0	44.0	21.0	—
L	3800	48.5	35.5	27.0	—	—	99.5	44.0	21.0	—
M	3900	48.5	—	28.5	48.0	12.5	99.5	44.0	21.0	—
N	4100	48.5	35.5	27.0	—	—	99.5	45.0	21.0	20.0 74.5
P	4400	85.0	—	56.5	56.0	12.0	92.5	45.0	21.0	20.0 74.5
R	4500	85.0	—	56.5	56.0	12.0	92.5	45.0	21.0	20.0 74.5
S	5100	31.0	—	29.0	59.0	13.5	71.0	45.0	22.5	48.0 30.5
T	5400	31.0	—	29.0	59.0	13.5	95.0	45.0	22.5	48.0 30.5
U	5700	31.0	—	29.0	59.0	13.5	119.5	45.0	22.5	48.0 30.5
V	6100	71.5	—	56.5	56.0	12.0	68.5	45.0	22.5	20.0 74.5
W	6400	71.5	—	56.5	56.0	12.0	92.5	45.0	22.5	20.0 74.5
X	6500	71.5	—	56.5	56.0	12.0	110.5	45.0	22.5	20.0 74.5
Y	6700	71.5	—	56.5	56.0	12.0	130.5	45.0	22.5	20.0 74.5
Z	6800	71.5	—	56.5	56.0	12.0	143.5	45.0	22.5	20.0 74.5

**4.686 CLIP—CONNECTOR—SPACER—BOLT—NUT, Hydraulic Brake**



**3659199**



**3659407**

38-38	FC, FD, GE, HB.....	pipe "C" to cross member (snap on).....	592012	2	.06
41-48	PASS. (exc. CONV.).....	pipe "B" to side member (bolt on— $\frac{1}{8}$ " bolt hole).....	3659407	1	.02
41-54	ALL.....	pipe "F" to hsq. cover (bolt on flat type— $\frac{1}{8}$ " bolt hole).....	3659199	2	.06
36	ALL,				
42-49	SBC,				
49-50	PASS. (exc. CONV.),				
52-54	$\frac{1}{2}$ , 1 TON, VI, N.....	CONNECTOR, main cylinder pipe (at cyl.)...	475885	1	.50
40-52	PASS.....	CONNECTOR, main cylinder pipe (at cyl.)...	5453738*	1	.60
36	FA, FD.....	CONNECTOR, main cylinder pipe to rear pipe	475969	1	.50
36-46	PASS., COMM. (exc. FA, FD, KF, AN, BN, DS),				
47-48	PASS.,				
49-50	PASS. (exc. CONV.).....	CONNECTOR, pipe "T" (at frame).....	475896	1	.33
36	FB.....	CONNECTOR, w/bracket, front pipe, right....	477256	1	.38
36	R.....	CONNECTOR, w/bracket, front pipe.....	592136	1	.38
36	FA.....	CONNECTOR, front pipe.....	475968	1	.38
37-46	$\frac{1}{2}$ TON.....	CONNECTOR, front pipe.....	594595	1	.50
37-46	GD, GE, HD, HE, ID, JE, KD, KE, AL, AM, BL, BM, DR.....	CONNECTOR, front pipe.....	596883	1	.50
39-48	PASS. (exc. JB, KB).....	CONNECTOR, front pipe.....	350433	1	.33
36-50	ALL,				
51-54	$\frac{1}{2}$ , 1 TON, UTILITY.....	CONNECTOR, rear hose.....	497756	1	.33



475895 SPACER



594629 SPACER

3692044 CONNECTOR  
3696574 CONNECTOR476100 CONNECTOR  
475898 CONNECTOR  
3696540 CONNECTOR  
3696553 CONNECTOR  
5453738 CONNECTOR3696530 CONNECTOR  
475896 CONNECTOR497756 CONNECTOR  
3696552 CONNECTOR596883 CONNECTOR  
594898 CONNECTOR592129 CONNECTOR  
2062150 CONNECTOR  
3696573 CONNECTOR3676302 CONNECTOR  
3696560 CONNECTOR  
3696561 CONNECTOR

475969 CONNECTOR

350433  
CONNECTOR592136  
CONNECTOR3693611  
CONNECTOR3688780  
CONNECTOR477256  
CONNECTOR475968  
CONNECTOR**BRAKE PIPE CONNECTORS AND SPACERS**

36-46	R, S, T, V, KF, W, AN, Y, BN, M, DS, O, P, (exc. WC, YI, MT, OG, PX).....	CONNECTOR, pipe "T".....	592129	1	.38
40-46	WC, YI, MT, OG, PX.....	CONNECTOR, pipe "T".....	2062150	1	.50
36-50	ALL.....				
51-54	3/4 1 TON, UTILITY.....	CONNECTOR, rear pipe.....	476100	2	.22
47-50	COMM., UTILITY.....				
51-54	3/4 1 TON, UTILITY.....	CONNECTOR, pipe "T".....	3676302	2	.33
49-50	CONV.....	CONNECTOR, pipe "T" (altd.) (at frame).....	3688780	1	.38
49-50	CONV.....	CONNECTOR, main cylinder pipe (at cyl.).....	3692044	1	.50
51	PASS. (exc. CONV.).....	CONNECTOR, left front brake pipe at main cyl. (3/8-24).....	3696540	1	.38
52-54	PASS., 1/2 TON (exc. CONV.).....	CONNECTOR, main cyl. pipe (at cyl.) (5/8- 24-7/16-24).....	3696574	1	.50
51-54	CONV.....	CONNECTOR, rear brake hose to axle.....	3696552	1	.38
51-54	PASS., 1/2 TON.....	CONNECTOR, rear wheel cyl. inlet (3/8-24)..	3696553	2	.28
51-54	PASS., (exc. CONV.).....	CONNECTOR, main cyl. pipe tee.....	3696530	1	.38
51-54	CONV.....	CONNECTOR, main cyl. pipe tee.....	3696573	1	.45
51	1/2 TON.....	CONNECTOR, main cyl. pipe front tee (at frame).....	3696560	1	.38
51-54	1/2 TON.....	CONNECTOR, main cyl. pipe rear tee (at frame).....	3696561	1	.38
53-54	D-D, UTILITY.....	CONNECTOR, front hose (1/2-20 int. and ext. thds.-1 1/8 O.L.).....	3693611	2	.50
36	FB, FC.....				
37-49	PASS.,.....				
49-54	PASS. (exc. CONV.).....	SPACER, main cylinder pipe connector.....	475895	1	.02
37-46	COMM. (exc. KF, AN, BN, DS).....	SPACER, main cylinder pipe connector.....	594629	1	.02
36-54	ALL.....	BOLT, rear cylinder inlet connector (3/8-20 x 1 1/2 O.L.).....	476099	2	.13
36	FA.....	BOLT, front pipe connector (1/2-24 x 1 1/4 overall).....	475894	1	.13
38	FB, FC, R.....	BOLT, front pipe connector (1/2-24 x 1 1/4 overall).....	477210	1	.13
36	FA.....	NUT, frt. brk. junction to left frt. brk. pipe.....	476674	1	.06

\*NOTE: On 1940-48 models 5453738 must be used when 5453737 cylinder is installed.

**4.788 SHAFT, Brake Cross**

36-40	R, S, T, V, W (exc. VE, VF, WD).....	w/levers, parking brake.....	592093	1	1.26
41-46	UTILITY (exc. COE).....	w/levers, parking brake.....	3656797	1	2.45
47-50	QP, RP, SP, TP.....	w/levers, parking brake.....	3685056	1	2.74
47-50	QR, RR, SR, TR.....	w/levers, parking brake.....	3685057	1	2.74



47-50	QL, QS, QX, RK, RL, RS, RV, RW, RX, SK, SL, SS, SV, SW, SX, TK, TL, TS, TV, TW, TX, TY	w/levers, parking brake	3683465	1	2.74
47	QJ, QK, QV, QW,				
48	RJ, RK, RV, RW (w/gas tank inside frame),				
47-51	1 TON (exc. D-D)	w/levers, parking brake	3684251	1	4.09
48-50	RJ, SJ, TJ (w/gas tank outside frame on RJ)	w/levers, parking brake	3688929	1	2.74
47	½ TON	w/lever, parking brake	3699730	1	4.09
47	¾ TON (exc. D-D)	w/lever, parking brake (squared ends)	3698730	1	4.65
48-51	¾ TON (exc. D-D)	w/lever, parking brake (foot oper.)	3687271	1	3.54
48-51	½ TON	w/lever, parking brake (foot oper.)	3687273	1	4.09
48-54	DUBL-DUTI	front, w/lever, parking brake (foot oper.)	3687737	1	1.65
48-51	DUBL-DUTI	rear, w/lever, parking brake (foot oper.)	3687743	1	3.54
51-54	COE	w/levers, parking brake	3694583	1	3.97
52-54	½ TON	w/levers, parking brake	3699729	1	4.09
52-54	¾, 1 TON (exc. D-D)	w/levers, parking brake,			
52-54	DUBL-DUTI	rear cross shaft	3699731	1	3.54

#### 4.791 GUIDE, Parking Brake Idler Lever

40-48	PASS.	(8 <sup>1</sup> / <sub>16</sub> O.L.)	3654169	1	.27
49-51	PASS. (exc. CONV., P.G.)	(11 <sup>1</sup> / <sub>2</sub> O.L.)	3690345	1	.40
49-53	CONV.	(9 O.L.)	3688197	1	.28
50-51	PASS. w/P.G. (exc. CONV.),				
52-54	PASS. (exc. CONV.)	(8 <sup>1</sup> / <sub>16</sub> O.L.)	3689995	1	.40

#### 4.792 LEVER, Parking Brake Cross Shaft and Idler

40	PASS.	parking, idler (9 <sup>9</sup> / <sub>16</sub> O.L.)	3653265	1	.27
41-48	PASS.	parking, idler (10 <sup>1</sup> / <sub>2</sub> O.L.)	3658114	1	.27
47	½ TON	parking, outer,			
47-51	1 TON (exc. D-D)	parking, outer,			
48-51	½ TON	parking (foot oper.) outer	3684260	2	.98
47-51	¾ TON (exc. D-D)	parking, outer,			
48-51	DUBL-DUTI	parking, rear, outer	3676244	2	.86
47-48	QJ, QK, QV, QW, RJ, RK, RV, RW (w/in- side mdl. gas tank)	hand, outer	3684263	2	.86
48-54	DUBL-DUTI	parking, front, inner	3687740	1	.68
49-54	PASS.	parking, idler (14 <sup>7</sup> / <sub>16</sub> O.L.)	3689531	1	.52
52-54	COMM. (exc. D-D)	outer,			
52-54	DUBL-DUTI	rear, outer	3699728	2	.47

#### 4.796 SPRING, Parking Brake Cross Shaft

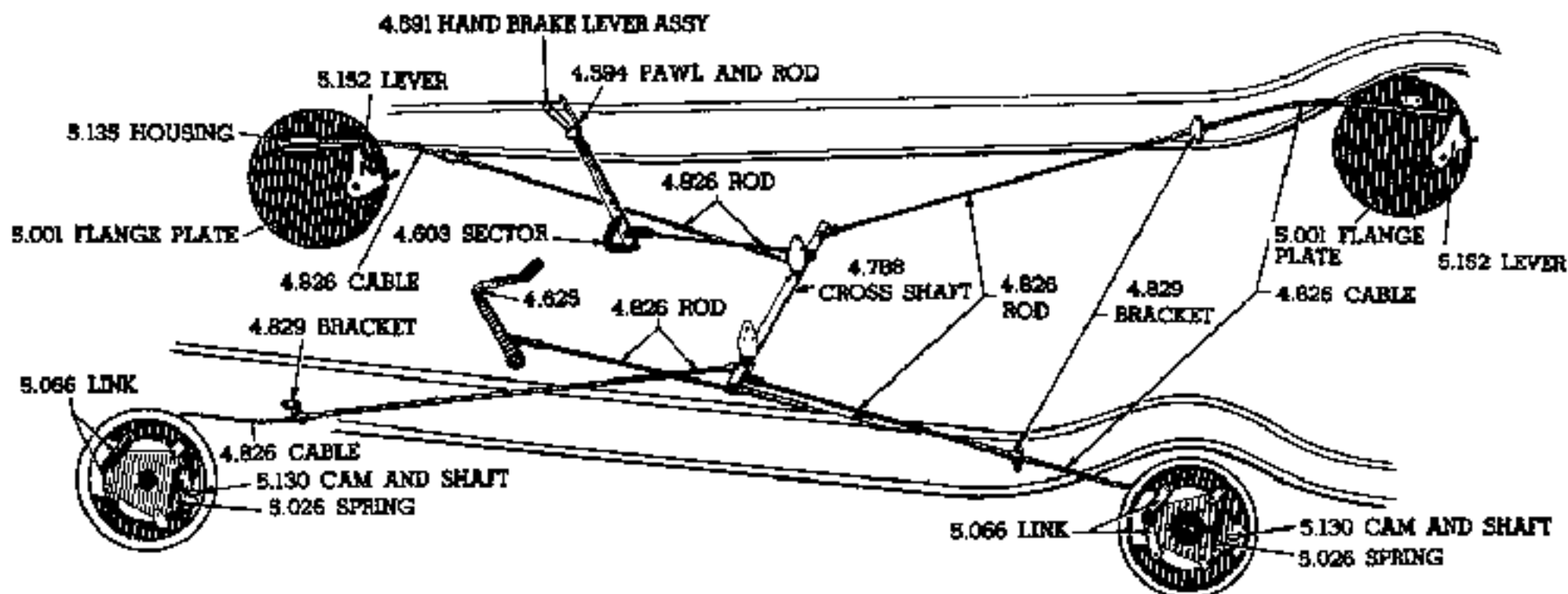
33-36	CA, CB, O, P, Q, R	anti-rattle (½ free length— <sup>1</sup> / <sub>4</sub> O.D.)	371704	4	.02
51-54	COE	anti-rattle (1½ free length—1½ O.D.)	3693704	1	(4.016)

#### 4.797 BRACKET, Parking Brake Idler Lever

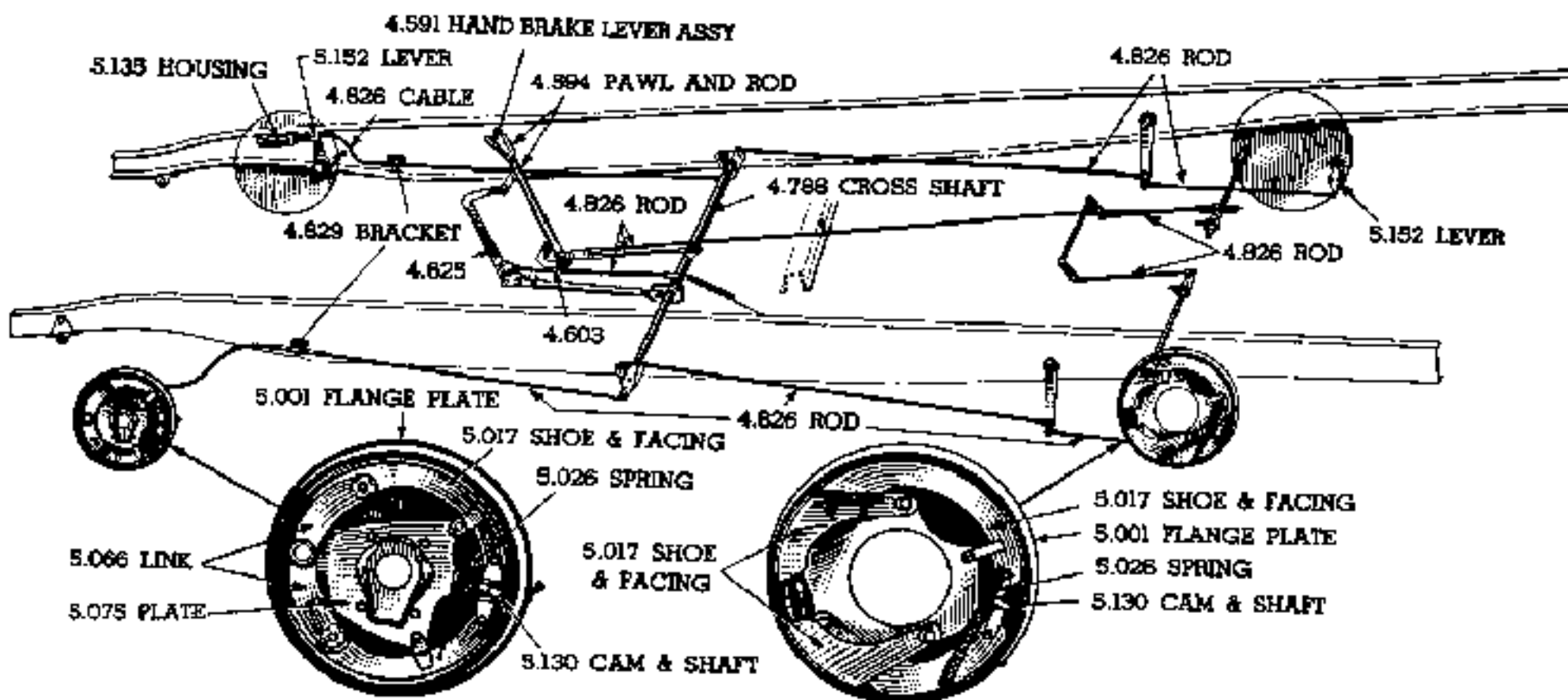
41-48	PASS.	(6 O.L.)	3658115	1	.27
49-51	PASS. (exc. CONV., P.G.)	(8 <sup>3</sup> / <sub>4</sub> O.L.)	3690347	1	.45
49-53	CONV.	(4 <sup>11</sup> / <sub>16</sub> O.L.)	3688195	1	.23
50-51	PASS. w/P.G. (exc. CONV.),				
52-54	PASS. (exc. CONV.)	(6 <sup>5</sup> / <sub>16</sub> O.L.)	3689994	1	.27

#### 4.800 CRANK—BRACKET—SPRING, Parking Brake

40-48	PASS.	bell, w/shaft (13 <sup>1</sup> / <sub>16</sub> O.L.)	3653260	1	.65
49-50	PASS.	bell (12 <sup>1</sup> / <sub>16</sub> O.L.)	3689493	1	.71
51-52	PASS.	bell (13 <sup>1</sup> / <sub>16</sub> O.L.)	3695339	1	.71
53-54	PASS.	bell (1¼ x 13 <sup>1</sup> / <sub>16</sub> O.L.)	3699267	1	.71
40	PASS.				
41-48	PASS. (exc. CONV.)	BRACKET (10 <sup>9</sup> / <sub>16</sub> O.L.)	3654105	1	.33
49-52	PASS.	BRACKET	3689491	1	1.35
53-54	PASS.	BRACKET, bell crank	3698391	1	1.35
40-48	PASS.	SPRING, anti-rattle (5½ coils— <sup>9</sup> / <sub>16</sub> I.D.)	835715	1	(1.928)
49-54	PASS.	SPRING, anti-rattle (7 coils— <sup>17</sup> / <sub>16</sub> I.D.)	3689462	1	.06
49-52	PASS.	REINFORCEMENT, bell crank	3689487	1	.43
53-54	PASS.	REINFORCEMENT, bell crank, w/½ pin	3699263	1	.43



**MECHANICAL BRAKE SYSTEM—PASSENGER**



**MECHANICAL BRAKE SYSTEM—TRUCK**

**4.801 SPACER, Parking Brake Cross Shaft**

- 47-51 1/2 TON,
- 47-50 ER, ES, QI, QK, QV, QW, FS, GS, HS,
- 48 RJ, RK, RV, RW (w/inside mtd. gas tank),
- 48-50 FR, GR, HR,
- 52-54 COMM. (exc. DUBL-DUTI).....
- 48-54 DUBL-DUTI.....

parking,  
 parking, rear (altd.) (1 1/2" I.D. x 1 1/2" O.D.  
 x 3/4").....

3684268 2 .13

#### 4.803 BRACKET—SUPPORT, Parking Brake Cross Shaft

47-54	½ TON.....	parking (foot oper.) reaction (2 <sup>1</sup> / <sub>8</sub> overall)	3676312	1	.17
47-54	1 TON, QJ, QK, QV, QW (exc. D-D),				
48	RJ, RK, RV, RW (w/inside mtd. gas tank)	parking brake reaction (2 <sup>3</sup> / <sub>4</sub> overall),			
48-54	1 TON D-D.....	parking brake rear reaction.....	3684254	1	.12
47-54	½ TON.....	SUPPORT, parking brake (foot oper.).....	3676265	2	.28
47	UTILITY (exc. COE, SBC),				
48-54	¼, 1 TON (exc. D-D),				
48	RJ, RK, RV, RW (w/inside mtd. gas tank)	SUPPORT, hand brake,			
48-54	DUBLDUTI.....	parking brake rear.....	3684252	2	.17
51-54	COE.....	SUPPORT, parking brake.....	3694588	2	.28

#### 4.820 SUPPORT—GUIDE, Parking Brake Pull Rod

47-48	QK, QW, RK, RW.....	hand brake (4 O.L.).....	3684245*	1	.23
47-50	QK, QL, QW, RK, RL, RW, SK, SL, SW,				
	TL, TK, TW, TY.....	hand brake (2 <sup>3</sup> / <sub>8</sub> O.L.).....	3688924†	1	.18
48-51	COMM. (exc. 1 TON, D-D),				
52-54	COMM. (exc. D-D).....	GUIDE, parking brake (rubber) (foot oper.) ...	3687274	1	.17

\*NOTE: Used on second cross member with hand brake hook up outside of frame.

†NOTE: Used on second cross member with hand brake hook up inside of frame.

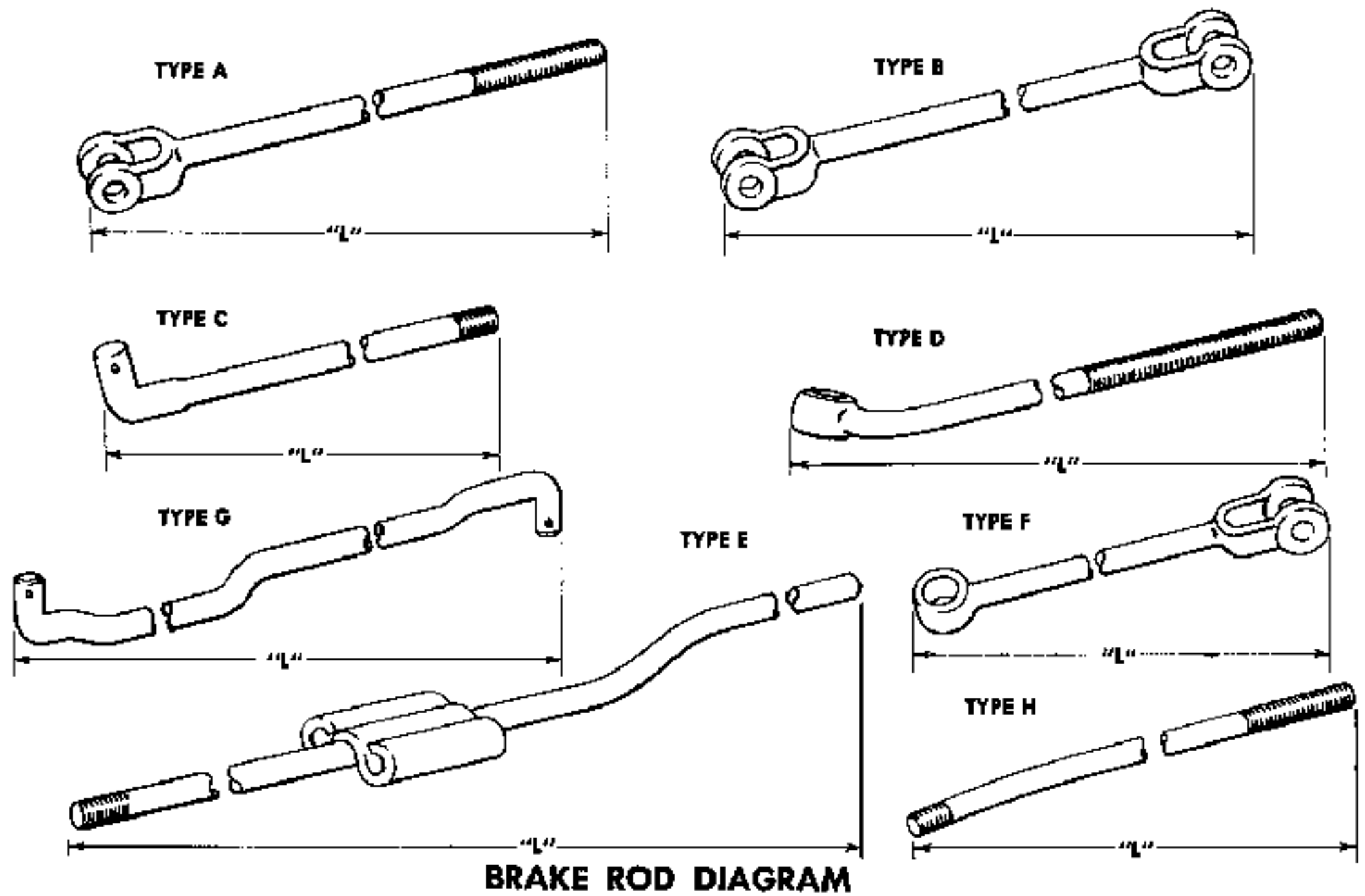
#### 4.823 PIN—BOLT, Brake Rod

33-36	C, O, DB, P, EB, Q, R.....	hand brake (3/8 dia. x 1 <sup>1</sup> / <sub>4</sub> ).....	371706	2	.02
35-36	Q, R.....	serv. brake pedal to rod (3/8 dia. x 1 <sup>3</sup> / <sub>8</sub> )..	379874	1	.06
36-46	F, R, GA, GB, S, HA, HB, T, JA, JB, V, W,				
	Y, M, O, P.....	hand brake (9/16 dia. x 1).....	476667*	2	.02
38-40	HA, HB, COMM., UTILITY,				
41-50	UTILITY,				
41-51	1 TON (exc. D-D),				
51-54	COE.....	hand brake lever to rod (3/8 dia. x 1 <sup>1</sup> / <sub>8</sub> )..	590094	1	.03
40-52	PASS.....	bell crank to idler lever (5/16 dia. x 1 <sup>5</sup> / <sub>16</sub> )...	3653267	1	.03
49-54	PASS.....	hand brk. lever link attach. (5/16 x 2 <sup>3</sup> / <sub>16</sub> )...	3688960	2	.03
40-54	PASS.....	BOLT, hand brake cable clevis (3/16—24 x 1 <sup>1</sup> / <sub>16</sub> )	3654167	1	.06

\*NOTE: Also used on 1947-50 QL, QX, RL, RX, SL, SX, TL, TX to attach hand brake cable and clamp assy. to axle.

#### 4.824 CLEVIS—YOKE—EYE, Brake Pull Rod

36-39	F, GA, GB, HA, HB, JA, JB.....	hand brake (3/8—24 thd.—3 <sup>5</sup> / <sub>16</sub> O.L.—1/2 pin hole—straight sides).....	476668	2	.18
36-46	UTILITY,				
47-50	COMM., UTIL. (exc. QP, FP, FR, RP, GP, GR, SP, HP, HR, TP, D-D).....	hand brake,			
48-54	COMM. (exc. FS, GS, HS).....	parking brake (5/16—24 thd.—3 <sup>5</sup> / <sub>16</sub> O.L.— 1/2 pin hole—solid sides).....	592087	2	.25
39-40	VG, VH, VM, VN, KF, WD.....	hand brake pull rod (3/16—24 thd.—3 <sup>1</sup> / <sub>8</sub> overall—5/16 pin hole—curved),			
41-50	AN, BN, DS, COE.....	hand brake cable,			
47-50	QP, RP, SP, TP.....	parking brake pull rod.....	3651258	1	.25
48-54	½ TON, KS, L.....	hand brake (no thd.—3 <sup>15</sup> / <sub>16</sub> O.L.—two 3/16 holes).....	3654166	2	.13
40-52	PASS.....	hand brake bell crank (3/8—24 thd.—2 <sup>3</sup> / <sub>16</sub> O.L.—5/16 pin hole).....	3653268	1	.13
40	WE, WT.....	hand brake (3/8—24 thd.—3 <sup>7</sup> / <sub>16</sub> O.L.—1/2 pin hole—curved sides).....	3653149	1	.25
37-40	COMM.....	YOKE, hand brake (no thd.—7 <sup>1</sup> / <sub>4</sub> O.L.—3/16 pin hole—1 1/8 and 1 <sup>1</sup> / <sub>16</sub> slot in sides—curved).	593965	1	.40
41-46	AK, AL, BK, BL, CK, DP, DR.....	YOKE, hand brake (no thd.—7 <sup>1</sup> / <sub>4</sub> O.L.—1/2 pin hole—1 1/8 and 1 <sup>1</sup> / <sub>16</sub> slot in sides—straight sides).....	3656993	1	.40
49-54	PASS.....	EYE, hand brake lever end (1/2—13 thd.).....	3689386	1	.28



**4.826 ROD, Brake Pull**

**ROD, front service brake pull front**

	Type	"L"			
30-35 AD, LR, LS, AE, LT, M, B, N, CB, O, ED..	A.....	33 $\frac{3}{8}$ .....	476664†	2	.48
33 CA.....	A.....	34 $\frac{1}{8}$ .....	3655850†	2	.48
34-35 ½ TON.....	A.....	29 $\frac{11}{16}$ .....	373184	2	.43
34-36 UTILITY.....	A.....	39 $\frac{11}{16}$ .....	373105	2	.53

**ROD, rear service brake pull**

30-32 AD, AE, B.....	A.....	26 $\frac{9}{16}$ .....	3687726†	2	.80
----------------------	--------	-------------------------	----------	---	-----

**ROD, brake pedal pull**

37-38 PASS.....	A.....	45 $\frac{1}{8}$ .....	594358	1	.70
37-40 GE, GE, HD, HE, ID, IE, KD, KE.....	F.....	22 $\frac{1}{2}$ .....	596563	1	.53
39-40 V, KF, W (exc. COE).....	F.....	23 $\frac{1}{8}$ .....	599303	1	.53
41-46 COMM., UTIL. (exc. ½ TON, COE).....	F.....	24 $\frac{1}{4}$ .....	3658555	1	.53
48-54 DUBL-DUTI (exc. A.T.).....	A (used as lever rod).....	23 $\frac{5}{8}$ .....	3847458†	1	.87

†NOTE: Also listed in this group under ROD, parking brake pull.

**ROD, parking brake pull**

34-36 UTILITY.....	A.....	15 $\frac{3}{8}$ .....	373131	2	.25
36 FA, FD.....	A.....	33 $\frac{3}{8}$ .....	476664*	2	

\*NOTE: Also listed in this group under ROD, front service brake pull front.

37-46 ½ TON.....	E.....	58.....	3847449	1	1.35
------------------	--------	---------	---------	---	------



37-50	SC, SD, TC, TD, short COE	A	65 $\frac{3}{4}$	3847453	1	1.35
§NOTE: On 1937-38 cut to 6 $\frac{1}{8}$ from threaded end, on 1939-40 cut 2 $\frac{3}{4}$ , on 1947-50 cut 2 $\frac{1}{2}$ .						
37-46	UTIL. (exc. VE, VF, WD, YU, MU, OH, PP)	A	33 $\frac{3}{8}$	595703	2	.48
39	PASS.	G (bell crank)	27 $\frac{7}{8}$	350453	1	.25
39	PASS.	D	46 $\frac{5}{16}$	350383	2	.70
39-40	VA, VB, WA	A	36	599112	1	.53
39-40	VC, VD, WB	A	61 $\frac{1}{16}$	599113	1	.87
39-46	VE, VF, WD, YU, MU, OH, PP	A	18 $\frac{13}{16}$	3651270	2	.43
39-50	VM, VN, WF, YW, MW, OJ, PS, QS, RS, SS, TS	A (interm.)	23 $\frac{1}{16}$	3847458	1	
NOTE: When using 3847458 on QS, RS, SS cut 1 $\frac{1}{8}$ off end to avoid interference with clevis pin. This part also listed in this group under ROD, brake pedal pull.						
40	PASS.	G	29 $\frac{3}{8}$	3653247	1	.32
40-48	PASS.	C (bell crank)	25 $\frac{1}{8}$	3654575	1	.92
40-46	KE, AN, BN, DS	A	34 $\frac{1}{8}$	3655850	2	
NOTE: 3655850 also listed in this group under ROD, front service brake pull front.						
41-48	PASS.	G	28 $\frac{3}{16}$	3658117	1	.32
41-46	AL, AM, BL, BM, DR	frt., H	26 $\frac{13}{16}$	609841	1	.43
41-46	AL, AM, BL, BM, DR	rear, E (internal thds.)	43 $\frac{13}{16}$	3657849	1	.75
NOTE: When using 3657849 on DR, cut 1 $\frac{13}{16}$ from bent end.						
41-46	AN, YR, BN, MR, DS, OR, OE, PJ, PV,					
47-51	ER, ES, QI, QV, FS, RI, RV, GS, SJ, SV, HS, TI, TV, JS	A	47	3847613	1	1.08
NOTE: Cut 9 $\frac{1}{4}$ from threaded end of 3847613 when used on 1941-46 models.						
41-50	YS, MS, OF, OS, PK, PL, PW, QK, QL, QW, RK, RL, RW, SK, SL, SW, TK, TL, TW	A	70 $\frac{5}{8}$	3847616	1	1.02
41-46	YI, MI, OG, OY, PX	A	97 $\frac{11}{16}$			
50	TY	A (cut 9 $\frac{1}{2}$ " and rethread 2")		3656788	1	1.13
41-50	COE (exc. YU, MU, OH, PP, QP, RP, SP, TP)	A	79 $\frac{7}{8}$	3847657	1	1.78
NOTE: When using 3847657 on 1941-46 it is necessary to cut 6 $\frac{3}{8}$ from the threaded end.						
47-50	QX, RX, SX, TX	A	108 $\frac{3}{8}$	3683982	1	1.23
47	$\frac{1}{2}$ TON	A	45 $\frac{3}{8}$	3847304	1	.92
48-51	$\frac{1}{2}$ TON					
52-54	$\frac{1}{2}$ , 1 TON (exc. D-D)	A (foot oper.)	50 $\frac{1}{2}$	3689297*	1	.92
48-54	$\frac{3}{4}$ TON (exc. D-D)	A (foot oper.)	52	3689299*	1	.92
*NOTE: Front and rear rods, as used in production, are replaced for service by one piece rods 3689297 on $\frac{1}{2}$ TON and 3689399 on $\frac{3}{4}$ TON (exc. D-D).						
48-54	DUBL-DUTI	frt., A (foot oper.)	26 $\frac{3}{4}$	3687726†	1	
†NOTE: Also listed in this group under ROD, rear service brake pull.						
48-54	DUBL-DUTI	rear, B (w/adjustable clevis) (foot oper.)		3687727	1	1.18
49-52	PASS.	G (bell crank)	29 $\frac{13}{16}$	3701079	1	.75
51-54	COE	frt., B (w/adj. clevis)	29 $\frac{3}{16}$	3694586	1	1.02
51-54	COE	rear, B (w/adj. clevis)	13 $\frac{3}{16}$	3694587	1	1.02
53-54	PASS.	G (bell crank)	30 $\frac{3}{8}$	3701081	1	.75

#### BRAKE CABLE

30-33	ALL (exc. CC)					
34-36	COMM., UTIL. (exc. FB)	frt. (27 $\frac{1}{16}$ O.L.)		378520	2	3.02
33-35	CC, DC, EC	frt. (29 $\frac{3}{4}$ O.L.—thds. one end only)		472677	2	3.02
34-35	DA, EA, ED	frt., L (34 $\frac{3}{8}$ O.L.—stamped "L")		375037	1	3.02
34-35	DA, EA, ED	frt., R (34 $\frac{3}{8}$ O.L.—stamped "R")		375038	1	3.02
34-35	PASS.	rear (29 $\frac{1}{2}$ O.L.—thds. both ends, w/3 rubber sleeves)		378315	2	3.02
34-35	DB, EB	rear (29 $\frac{1}{4}$ O.L.—thds. both ends)		374111	2	3.02
36-37	PASS. (exc. FC)	(31 $\frac{1}{2}$ O.L.—w/clip)		597326	2	3.29
36	FB, FC	L, w/clip (38 $\frac{1}{2}$ O.L.)		592283	1	3.05
36	FB, FC	R, w/clip (38 $\frac{1}{2}$ O.L.)		592284	1	3.05
36-40	UTILITY	L (30 $\frac{13}{16}$ O.L.—stamped "L")		592351	1	3.02
36-40	UTILITY	R (30 $\frac{13}{16}$ O.L.—stamped "R")		592352	1	3.02
37-46	$\frac{1}{2}$ TON	(55 $\frac{11}{16}$ O.L. w/clip)		597327	2	3.29
37-42	GD, HD, ID, KD, AL, BL	(56 $\frac{3}{4}$ O.L.—w/clip)		3688876	2	3.29
37-42	GE, HE, IE, KE, AM, BM	(58 $\frac{3}{16}$ O.L.)		597242	2	3.02

38-39	PASS.	(32½ O.L.—w/clamp)	598598	2	3.29
39-46	UTILITY	(31½ O.L.—w/clamp—stamped "R")	3651404*	2	3.40
40	PASS.	(76¼ O.L.—w/clamp)	3684208	2	3.29
40-46	KF, AN, BN, DS.	(37½ O.L.—w/clamp)	3638761	2	3.29
41-50	PASS.	(78½ O.L.—w/clamp)	3691404	2	3.50
46	DR.	(57½ O.L.—w/clamp)	3680959	2	3.29
47	½ TON (1st type)	(41½ O.L.—w/clamp) (use w/straight rib brackets)	3676263	2	3.22
47-50	½ TON (2nd type)	(40¾ O.L.—w/clamp) (use w/offset rib brackets)	3686522	2	3.38
47-52	¾ TON	(49¾ O.L.—w/clamp) parking	3676305	2	3.40
47-52	1 TON	(64 O.L.—w/clamp)	3684247	2	3.40
47	QI, QK, QV, QW,				
48	RJ, RK, RV, RW (w/inside mtd. gas tank)	(58¼ O.L.—w/clamp)	3686686	2	3.40
47-50	QP, RP, SP, TP	(54½ O.L.—w/clamp)	3686727	2	3.40
47	QL, QR, QS, QX,				
48-50	UTIL. (exc. RP, SP, TP)	(60¾ O.L.—w/clamp)	3686685	2	3.38
51-53	PASS.	(78½ O.L.—w/clamp)	3693530	2	3.45
51-54	½ TON	(40¾ O.L.—w/clamp)	3694170	2	3.22
53-54	¾ TON	(49¾ O.L.—w/clamp)	3697451	2	3.40
53-54	1 TON	(63¼ O.L.—w/clamp)	3697395	2	3.40
54	PASS.	(78¾ O.L.—w/clamp)	3708808	2	3.45

\*NOTE: When using on regular production axles, remove clamp.

#### 4.827 SPRING, Brake Pull Back

29-30	ALL (frit. only on LQ, LR)	service (40 coils—9½ free length)	352875	2	.39
29-33	UTILITY	parking (20½ free length—¾ O.D.)	344198	1	.33
30-32	AD, AE, B.	service (20½ free length—40 coils)	357412	1	.33
33-36	PASS., COMM. (exc. FC)				
37-39	PASS.	(40 coils—5½ free length)	369937	1	.25
33-50	KF, AN, BN, DS, UTIL.,				
47-54	COMM.,				
51-54	COE.	pull rod (50 coils—6¾ free length)	369935	1	.28
36	FC.	service (33 coils—4¼ free length)	475888	1	.22
36-39	PASS. (exc. FC)	service (30 coils—6¾ free length)	475892	1	.22
36	FA, FB, FD.	parking (11 coils—2¼ free length—¾ O.D.)	477355	1	.13
37-46	COMM. (exc. KF, AN, BN, DS)	service (26 coils—3¾ free length)	368244	1	(0.844)
36-46	½ TON, R.	service (36 coils—6¾ free length)	592322	1	.13
36-46	COMM., UTIL. (exc. ½ TON)	parking (60 coils—10¼ free length)	3651984	1	.33
39	PASS.	parking (8¾ free length—¼ O.D.)	3653271	1	.33
40-54	PASS.				
40-46	PASS.,				
47-54	ALL	service (30 coils—5 free length)	3698665	1	.18
51-54	ALL (w/Prop. Shaft Brake)	parking (6¾ free length—20 coils)	3695835	1	.25

#### 4.828 BRACKET, Brake Cable

36-50	UTILITY	parking, axle brake flange, L.	3686657	1	.92
36-50	UTILITY	parking, axle brake flange, R.	3686658	1	.92
37-46	COMM. (exc. KF, AN, BN, DS)	parking frame, L.	595027	1	.33
37-46	COMM. (exc. KF, AN, BN, DS)	parking, frame, R.	595028	1	.33
37-39	S, T, V (exc. VE, VF)	parking, frame, R.	595700	1	.48
39-50	VE, VF, WD, YU, MU, OH, PP, QP, RP, SP, TP	parking, frame, L.	3651465	1	.48
39-50	VE, VF, WD, YU, MU, OH, PP, QP, RP, SP, TP	parking, frame, R.	3651466	1	.48
40-48	PASS.	parking, frame, L.	3676269	1	.48
40-48	PASS.	parking, frame, R.	3676270	1	.48
49-54	PASS.	parking, frame, L.	3687875	1	.48
49-54	PASS.	parking, frame, R.	3687876	1	.48
40-46	KF, AN, BN, DS,				
40-46	UTIL. (exc. WD, YU, MU, OH, PP),				
47	QL, QR, QS, QX,				
48-50	UTIL. (exc. RP, SP, TP)	parking, frame, L.	3653567	1	.48
40-46	KF, AN, BN, DS,				
40-46	UTIL. (exc. WD, YU, MU, OH, PP),				
47	QL, QR, QS, QX,				
48-50	UTIL. (exc. RP, SP, TP)	parking, frame, R.	3653568	1	.48

47-51	ES, QI, QK, QV, QW, FS, GS, HS, JS,				
48-49	RJ, RK, RV, RW, SI, SK, SV, SW, (w/inside mtd. gas tank)	hand, frame, L.,			
48-51	1 TON DUBL-DUTI,				
52-54	1 TON	parking (foot oper.), frame, L.	3684255	1	1.02
47-51	ES, QI, QK, QV, QW, FS, GS, HS, JS,				
48-49	RJ, RK, RV, RW, SI, SK, SV, SW, (w/inside mtd. gas tank)	hand, frame, R.,			
48-51	1 TON DUBL-DUTI,				
52-54	1 TON	parking (foot oper.), frame, R.	3684256	1	1.02
47	½, ¾ TON (1st design)	hand, frame,			
48-51	¾ TON	parking (foot oper.) frame, L. (w/straight rib)	3676225*	1	.93
47	½, ¾ TON (1st design)	hand, frame,			
48-51	¾ TON	parking (foot oper.) frame, R. (w/straight rib)	3676226*	1	.93
47-51	½ TON (2nd design),				
52-54	½, ¾ TON	parking frame, L. (w/offset rib)	3687001†	1	1.03
47-51	½ TON (2nd design),				
52-54	½, ¾ TON	parking frame, R. (w/offset rib)	3687002†	1	1.03

\*NOTE: 3676225-6 used only with 3676263 Brake Cable on EP.

†NOTE: 3687001-2 used only with 3686522 Brake Cable.

#### 4.833 PULLEY—CLAMP—BOLT, Brake Cable

37-46	COMM. (exc. KF, AN, BN, DS)	PULLEY, hand brake (3 <sup>3</sup> / <sub>16</sub> O.D.— <sup>1</sup> / <sub>16</sub> hole)	594928	2	.50
36-52	PASS., COMM.,				
53-54	PASS., ½ TON	CLAMP, parking (to flange plate)	596582	2	.27
53-54	¾, 1 TON	CLAMP, parking (to flange plate) (two <sup>1</sup> / <sub>16</sub> holes—1 <sup>1</sup> / <sub>16</sub> between ctrs.)	3697399	2	.27
36	FB, FC	BOLT, hd. brake rod to idler ( <sup>5</sup> / <sub>16</sub> —24 x 1 <sup>1</sup> / <sub>2</sub> — drld.),			
39	PASS.	hand brk. cable to cable axle brkt.,			
46-48	UTILITY, FS				
48-50	COMM., UTILITY,				
49-53	PASS., COMM.,				
54	PASS.	parking brake cable to clamp	3682642	2	(2.277)
37-46	COMM. (exc. KF, AN, BN, DS)	BOLT, hd. brake pulley ( <sup>3</sup> / <sub>16</sub> —20 x 1 <sup>1</sup> / <sub>4</sub> — <sup>3</sup> / <sub>16</sub> shoulder)	593966	2	.13
36	FB, FC,				
39	PASS.	WASHER ( <sup>5</sup> / <sub>16</sub> ) (use w/3682642 BOLT)	3682643	2	(2.277)

#### 4.834 SEAL, Brake Cable

33-35	CC, DC, EC	front (bellows type) (3 <sup>3</sup> / <sub>4</sub> O.L.)	472678	2	.18
34-35	DA, DB, DC, EA, EC, ED	rear (bellows type) (2 <sup>3</sup> / <sub>4</sub> O.L.)	374507	2	.18
36-54	PASS., COMM.	parking brake cable clamp (felt)	476136	2	.03
36-50	UTILITY	parking (bellows type) (5 <sup>1</sup> / <sub>2</sub> O.L.)	592055	2	.27
41-46	PASS.,				
47-50	ALL,				
51-54	PASS., COMM.	(bellows type) frame brkt. end	3691420	2	.22

#### 4.898 BRAKE UNIT, Vacuum Power

41-42	UTILITY (exc. COE)		3659642	1	39.57
46-54	ALL	KIT, piston pack repair (Bendix 374515)	609907	1	4.77
46-49	ALL	KIT, brake cyl. repair (Bendix 374986)	3847643	1	8.35
49-54	ALL (w/2208488)	KIT, brake cyl. repair (Bendix 374981)	2246230	1	8.35
50	ALL (w/Midland Brake)	KIT, cyl. minor repair (Midland RC-16-F)	2268130	1	4.97
51-52	¾, 1 TON (w/3697263)	KIT, brake cyl. repair (Bendix 375118)	2284937	1	8.35

#### Vacuum Power Brake Cylinder Parts

46	ALL (exc. COE),				
48-52	¾, 1 TON,				
48-54	RJ, SI, TI, UI, VI, N (exc. hvy. duty)	BRACE	3681957	1	.25
47-54	UTIL. (exc. RJ, SJ, TI, UI, VI, N, COE),				
49-54	SI, TI, UI, VI, N (hvy. duty)	BRACE	3683716	1	.25
42-46	M, O, P (exc. MY, OW, COE),				
48-52	¾, 1 TON, RJ, SI, TI, UI, VI,				
53-54	N.	BRACKET, mounting	3681398	1	.48

47-48	ALL (exc. COE)	BRACKET, mounting	3683720	1	.48
49-54	UTIL. (exc. SJ, TJ, UI, VI, N, COE),				
49-54	SJ, TJ, UI, VI, N (hvy. duty)	BRACKET, mounting	3690218	1	.53
46	COE	CONNECTOR, at mfd. ( $\frac{3}{8}$ pipe thd.)	3681483	1	.90
47-54	COE (exc. 261)	CONNECTOR, at manifold ( $\frac{3}{8}$ pipe thd.)	3686099	1	.68
48-54	ALL (w/vac. booster) (exc. COE)	CONNECTOR, booster to inlet ( $\frac{7}{16}$ -24, $\frac{3}{4}$ -18 int. thds., $\frac{1}{2}$ ext. pipe thds.)	3690748	1	.95

#### 4.901 CYLINDER ASSEMBLY, Vacuum Power Brake

46-49	ALL		3685915*	1	39.93
49-54	ALL (exc. $\frac{3}{4}$ , 1 TON)	(Bendix 374000) (18 O.L.)	2208488	1	42.49
51-52	$\frac{3}{4}$ , 1 TON	(Bendix 375100)	3697263	1	36.77

\*NOTE: Two designs of Cylinder Assembly No. 3685915. Second design is identified by metal tag placed under hook bolt and stamped 374550-G7.

#### 4.902 TANK ASSY., Vacuum Power Brake Cylinder Reserve

46-54	ALL		094128	1	10.32
-------	-----	--	--------	---	-------

#### 4.904 GASKET-PLATE, Vacuum Power Brake Cylinder

46-54	ALL (2nd design)	center plate (w/notched type) (Bendix 374553)	3847006	1	.22
46-49	ALL,				
51-52	$\frac{3}{4}$ , 1 TON	PLATE, end, w/seal (Bendix 374098)	609794	1	7.40
49-54	ALL (w/2208488)	PLATE, end, w/seal (Bendix 374024)	2208790	1	8.72

#### 4.906 SHELL ASSEMBLY, Vacuum Power Brake Cylinder

46-49	ALL,				
51-52	$\frac{3}{4}$ , 1 TON	(Bendix 374081)	609785	1	4.23
49-54	ALL (w/2208488)	(Bendix 374040)	2208786	1	6.51

#### 4.907 NUT-KIT, Vacuum Power Brake Hydraulic Cylinder

46-49	ALL,				
51-52	$\frac{3}{4}$ , 1 TON	tube ( $1\frac{1}{8}$ -18) (Bendix 375051)	2248161†	1	.47
46-49	ALL,				
51-52	$\frac{3}{4}$ , 1 TON	KIT (Bendix 375093)	3690336*	1	3.33
49-54	ALL (w/2208488)	KIT, cyl. replacement (Bendix 375092)	2232468	1	4.14

†NOTE: 2248161 used with Tube having (3) threaded sections.

\*NOTE: 3690336 consists of new type Tube having (3) threaded sections, Nut and Seal.

#### 4.910 GASKET-PLUG-SEAL, Vacuum Power Brake

46-49	ALL,				
51-52	$\frac{3}{4}$ , 1 TON	cylinder end plug (Bendix 374090)	609790	1	.12
50	ALL (w/Midland)	cyl. end plug ( $1\frac{1}{2}$ x $1\frac{3}{4}$ copper)	2268074	1	.05
50	ALL (w/Midland)	hyd. cyl. (7 holes)	2268083	1	.08
50	ALL (w/Midland)	push rod retainer (5 holes)	2268084	1	.04
46-49	ALL,				
51-52	$\frac{3}{4}$ , 1 TON	PLUG, hydraulic cylinder end (Bendix 375063)	3690335	1	2.03
49-54	ALL (w/2208488)	PLUG, hydraulic cylinder end (Bendix 374037)	2209254	1	1.93
46-49	ALL,				
51-52	$\frac{3}{4}$ , 1 TON	SEAL, hydraulic cylinder valve (Bendix 374087)	609788	1	.22
46-49	ALL,				
51-52	$\frac{3}{4}$ , 1 TON	SEAL, hydraulic cylinder tube (Bendix 375043)	2248162†	1	.22
49-54	ALL (w/2208488)	SEAL, cyl. valve ( $1$ x $1\frac{1}{4}$ ) (Bendix 373907)	2208714	1	.22
50	ALL (w/Midland)	SEAL, push rod ( $1$ O.D. x $\frac{3}{8}$ thick)	2268089	1	.83

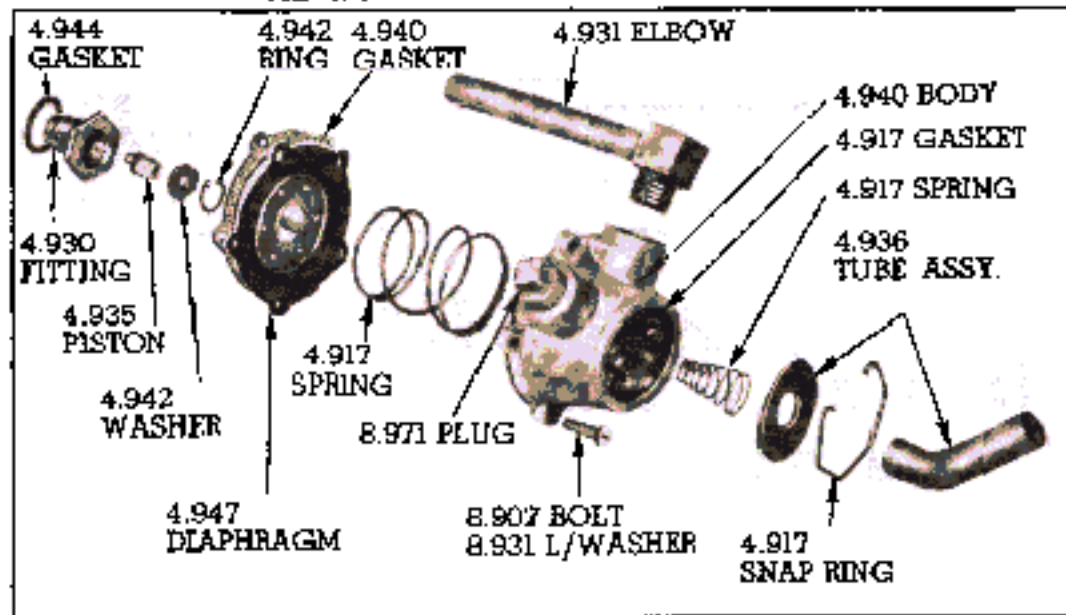
†NOTE: Used with Tube having (3) threaded sections.

#### 4.911 BOLT, Vacuum Power Brake Cylinder

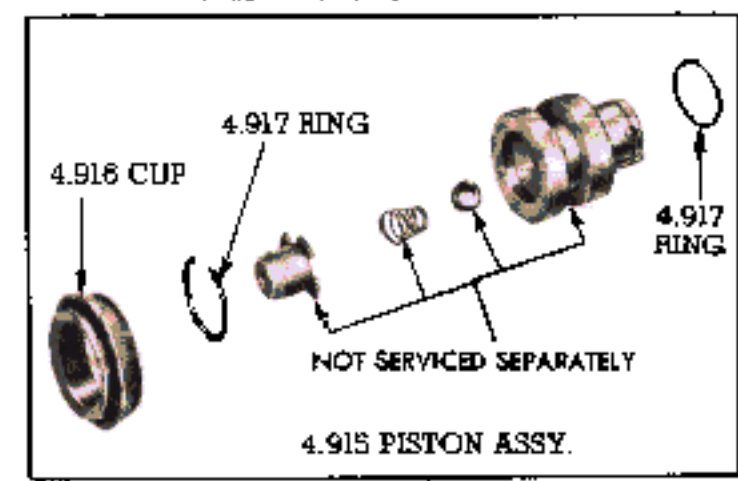
46-49	ALL,				
51-52	$\frac{3}{4}$ , 1 TON	hook ( $\frac{5}{8}$ -24 thread) (Bendix 374099)	609795	1	.28
49-54	ALL (w/2208488)	hook ( $\frac{5}{8}$ -24 thd. x $7\frac{3}{8}$ O.L.) (Bendix 374047)	2208787	1	.32



**RELAY VALVE SECTION DETAILS**



**SLAVE PISTON DETAILS**



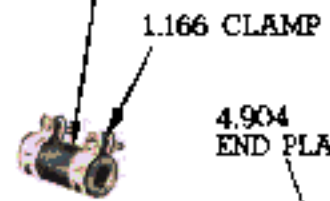
4.906 SHELL ASSY.



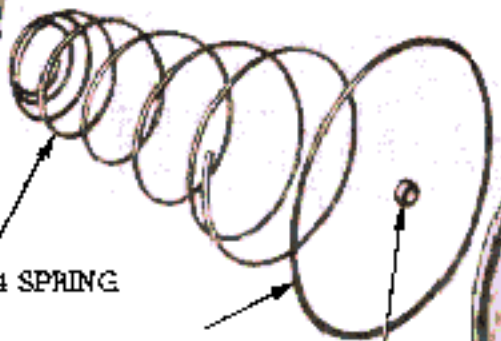
4.922 PISTON ASSY



4.931 HOSE



4.904 END PLATE ASSY.



4.924 PUSH ROD ASSY.

4.924 SPRING

4.904 GASKET

4.926 SEAL

8.931 L/WASHER

8.915 NUT

8.963 ELBOW

**VACUUM CYLINDER SECTION**

RING SPRING SEAL ASSY



**5.645 RELIEF VALVE DETAILS**

8.931 L/WASHER

4.910 GASKET

4.666 BLEEDER VALVE

4.917 WASHER

4.917 SPRING

4.917 SNAP RING

4.907 NUT

4.917 RETAINER

4.916 CUP

4.910 SEAL

4.926 PIN

4.917 RING

4.907 TUBE

4.910 PLUG

**SLAVE CYLINDER AND RELIEF VALVE**

#### 4.913 CLEANER AND PARTS, Vacuum Power Brake Cylinder Air

48-53	ALL (exc. COE),				
54	UTILITY.....	assembly (bolted type).....	3689056	1	2.53
46-48	ALL (exc. COE).....	BAFFLE.....	3681958	1	.80
46	OE, OF, OG, PL, PV, PW, PX.....	BRACKET.....	3681903	1	.13
47-48	ALL (exc. COE).....	BRACKET.....	3684892	1	.18
46-48	ALL.....	CLAMP, hose.....	111603	A.R.	(1,166)
46-54	ALL.....	HOSE (½ I.D. x 88 w/wire reinforcement) ...	3693316	A.R.	1.75

#### 4.915 PISTON ASSEMBLY, Vacuum Power Brake Hydraulic Cylinder

46-49	ALL,				
51-52	¾, 1 TON.....	(Bendix 374080).....	609784	1	4.38
49-54	ALL (w/2208488).....	(Bendix 374018).....	2208784	1	4.14
50	ALL (w/Midland).....		2268055	1	4.14

#### 4.916 CUP, Vacuum Power Brake Cylinder

46-49	ALL (w/3685915),				
51-52	¾, 1 TON.....	piston (Bendix 374077).....	609783	1	.63
46-54	ALL (w/Bendix).....	push rod washer hyd. piston (Bendix 375429).....	2266042	1	.50
49-54	ALL (w/2208488).....	piston (molded 374021).....	2209252	1	.55
50	ALL (w/Midland).....	slave cyl. (1 O.D.).....	2268077	1	.22

#### 4.917 GASKET—RETAINER—RING—SPRING—WASHER, Vacuum Power Brake Cylinder

46-54	ALL (w/Bendix).....	valve body cover (Bendix 373918).....	2208731	1	.10
50	ALL (w/Midland).....	valve plug (¾ x ¾ copper).....	2268088	1	.02
46-54	ALL (w/Bendix).....	RETAINER, hyd. cyl. piston spring (¾ O.D.) (Bendix 375807).....	2276893	1	.16
50	ALL (w/Midland).....	RETAINER, hyd. cyl. piston spring (1 O.D.)...	2268076	1	.22
46-49	ALL (w/3685915).....	RING, hyd. cyl. piston to push rod pin snap (Bendix 373879).....	2208713	1	.06
46-54	ALL (w/Bendix).....	RING, hyd. cyl. piston stop washer snap (Bendix 373913).....	2208723	1	.11
46-54	ALL (w/Bendix).....	RING, valve body cover snap (Bendix 373919)	2208732	1	.11
46-54	ALL (w/Bendix).....	RING, hyd. piston check valve snap (Bendix 373932).....	2208745	1	.06
50	ALL (w/Midland).....	RING, relay valve cover snap.....	2268063	1	.14
46-54	ALL (w/Bendix) (exc. ¾, 1 TON).....	SPRING, valve seat (Bendix 373878).....	2208711	1	.39
46-54	ALL (w/Bendix).....	SPRING, valve poppet (Bendix 374023).....	2208796	1	.13
50	ALL (w/Midland).....	SPRING, relay valve disc (1 ¼ O.D.).....	2268062	1	.08
50	ALL (w/Midland).....	SPRING, relay valve disc return (1 ¼ O.D.)..	2268069	1	.28
50	ALL (w/Midland).....	SPRING, hyd. cyl. piston (¾ O.D. x 8 ½ free length).....	2268075	1	.41
46-54	ALL (w/Bendix).....	WASHER, push rod (¾) (Bendix 373929).....	2208718	1	.25
46-54	ALL (w/Bendix).....	WASHER, hyd. cyl. piston stop (Bendix 375880)	2282850	1	.05

#### 4.922 PISTON ASSY., Vacuum Power Brake Cylinder

46-49	ALL,				
51-52	¾, 1 TON.....	(w/push rod) (Bendix 374074).....	609782	1	7.13
49-54	ALL (w/2208488).....	(w/push rod) (Bendix 374056).....	2208783	1	7.67
50	ALL (w/Midland).....	(w/diaphragm).....	2268057	1	4.30

#### 4.924 ROD—SPRING—BUSHING—COLLAR, Vacuum Power Brake Cylinder Piston

46-49	ALL,				
51-52	¾, 1 TON.....	ROD ASSY. (Bendix 374083).....	609786	1	1.70
49-54	ALL (w/2208488).....	ROD ASSY. (7 O.L.) (Bendix 374046).....	2208797	1	2.76
50	ALL (w/Midland).....	ROD, diaphragm push (⅞—20 x 5 ⅜—sltd. end).....	2268078	1	1.14
46-49	ALL,				
51-52	¾, 1 TON.....	SPRING, return (Bendix 374084).....	609787	1	.88
49-54	ALL (w/2208488).....	SPRING, return (Bendix 374048).....	2208788	1	1.17
50	ALL (w/Midland).....	SPRING, diaphragm return (3 ⅞ O.D.).....	2268082	1	.65
50	ALL (w/Midland).....	BUSHING, push rod (1 ¼ O.D. x 1 ⅞ long)...	2268079	1	.92
50	ALL (w/Midland).....	COLLAR, push rod (⅞ O.D.).....	2268080	1	.18

**4.928 PIN-SEAL, Vacuum Power Brake Cylinder Push Rod**

46-54	ALL	(Bendix 376182)	2208712	1	.06
46-54	ALL (w/Bendix)	SEAL, hyd. cyl. push rod guide (leather) (Bendix 372301)	2158837	1	.90
50	ALL (w/Midland)	SEAL, push rod hyd. (1 $\frac{1}{8}$ O.D.)	2268118	1	.42

**4.930 PIPE-FITTING, Vacuum Power Brake Cylinder**

47-54	COE	to check valve (12 long)	3686102	1	.73
47-54	COE	brake check valve to manifold (15 $\frac{1}{2}$ long)	3686100	1	.73
46	PV, PW, 2-SPD. AXLE (Vac. Shift)	to check valve, upper	3684723	1	(5.638)
47-53	ALL (exc. COE) (frame channel 8 $\frac{3}{8}$ deep)	to check valve, lwr. frt. (1 $\frac{1}{2}$ x 38 $\frac{1}{2}$ dev. length)	3687578	1	.95
47-53	ALL (exc. COE) (frame channel 8 $\frac{3}{8}$ deep)	to check valve, lower rear (1 $\frac{1}{2}$ x 65 $\frac{1}{8}$ dev. length)	3687579	1	1.63
47-54	ALL (exc. COE)	to check valve, upr. (1 $\frac{1}{2}$ x 9 $\frac{1}{8}$ dev. length)	3684079	1	.50
48-53	RI, SJ, HS, TI, JS, UI, KS, VI, N (frame channel 7 deep)	to check valve, lwr. frt. (1 $\frac{1}{2}$ x 32 $\frac{1}{2}$ dev. length)	3690857	1	.93
47-54	ALL (exc. COE)	check valve to manifold (1 $\frac{1}{2}$ O.D. x 5 long)	3684075	1	.22
54	ALL (exc. COE) (frame channel 8 $\frac{3}{8}$ deep)	to check valve lwr. rear (1 $\frac{1}{2}$ O.D. x 70 $\frac{1}{8}$ dev. length)	3703375	1	1.65
54	ALL (exc. COE) (frame channel 8 $\frac{3}{8}$ deep)	to check valve lwr. frt. (1 $\frac{1}{2}$ O.D. x 32 $\frac{1}{2}$ dev. length)	3703377	1	.95
46-52	ALL (exc. $\frac{3}{4}$ , 1 TON)	FITTING, relay valve	609780	1	.95

**4.931 ELBOW-HOSE, Vacuum Power Brake Cylinder**

46-49	ALL	ELBOW ASSY., hose (1 $\frac{1}{2}$ dia. - 3 $\frac{3}{8}$ thd.) (Bendix 374088)	609789	1	.90
51-52	$\frac{3}{4}$ , 1 TON				
46	ALL				
50	ALL (Bendix)	ELBOW, check valve hose (1 $\frac{1}{2}$ dia. - 3 $\frac{3}{8}$ thd.)	3677481	1	.32
49-54	ALL (w/2208488)	ELBOW ASSY., hose (3 $\frac{3}{8}$ thd. x 6 $\frac{3}{4}$ O.L.)	2208795	1	.99
46-54	ALL	HOSE (1 $\frac{1}{2}$ I.D. - 25 ft. roll) (cyl. pipe and check valve)	609742*	A.R.	19.83

\*NOTE: Cut to required length.

**4.935 PISTON, Vacuum Power Brake Cylinder Relay Valve**

46-54	ALL (w/Bendix) (exc. $\frac{3}{4}$ , 1 TON)	w/ cups (Bendix 374951)	2242990†	1	1.21
50	ALL (w/Midland)	(w/plunger)	2268052	1	2.04

†NOTE: Used on second design Vacuum Power Brake Cyl. No. 3685915. See note group 4.901.

**4.936 TUBE ASSY.—CAP, Vacuum Power Brake Body w/Cover**

46-49	ALL				
51-52	$\frac{3}{4}$ , 1 TON	(Bendix 374132)	609796	1	.90
49-54	ALL (w/2208488)	(Bendix 374032)	2208794	1	.94
50	ALL (w/Midland)	CAP, relay breather	2268054	1	1.10

**4.940 BODY-GASKET, Vacuum Power Brake Cylinder Valve**

46-54	ALL (w/Bendix)	w/poppets (Bendix 374029)	2208793	1	4.14
46-54	ALL (w/Bendix)	GASKET, body (Bendix 373923)	2208710	1	.18

**4.942 CUP-RING-WASHER, Vacuum Power Brake**

50	ALL (w/Midland)	relay control valve outer (1 $\frac{1}{8}$ O.D.)	2268066	1	.25
46-54	ALL (w/Bendix)	RING, cyl. valve fitting and piston stop retaining (Bendix 373880)	2208727	1	.25
46-54	ALL (w/Bendix)	WASHER, hyd. cyl. piston stop (3 $\frac{1}{8}$ ) (Bendix 373887)	2208726	1	.06

**4.944 GASKET-DISC-GUARD, Vacuum Power Brake Cylinder Relay Valve**

46-54	ALL (w/Bendix) (exc. $\frac{3}{4}$ , 1 TON)	(Bendix 373888)	2208724	1	.13
50	ALL (w/Midland)	DISC, relay valve	2268051	1	.66
50	ALL (w/Midland)	GUARD, relay valve disc (1 $\frac{1}{8}$ O.D.)	2268065	1	.13

**4.947 PLATE ASSY., Vacuum Power Brake Cylinder w/Diaphragm**

46-54	ALL (w/Bendix).....	(used with 2nd design 3685915—see Group 4.901) (Bendix 374985).....	2242589*	1	2.38
50	ALL (w/Midland).....	DIAPHRAGM, relay control valve (4 <sup>3</sup> / <sub>8</sub> O.D.)..	2268067	1	.33

\*NOTE: When using 2242589 on 1946-47 it is also necessary to use 2242590 Piston.

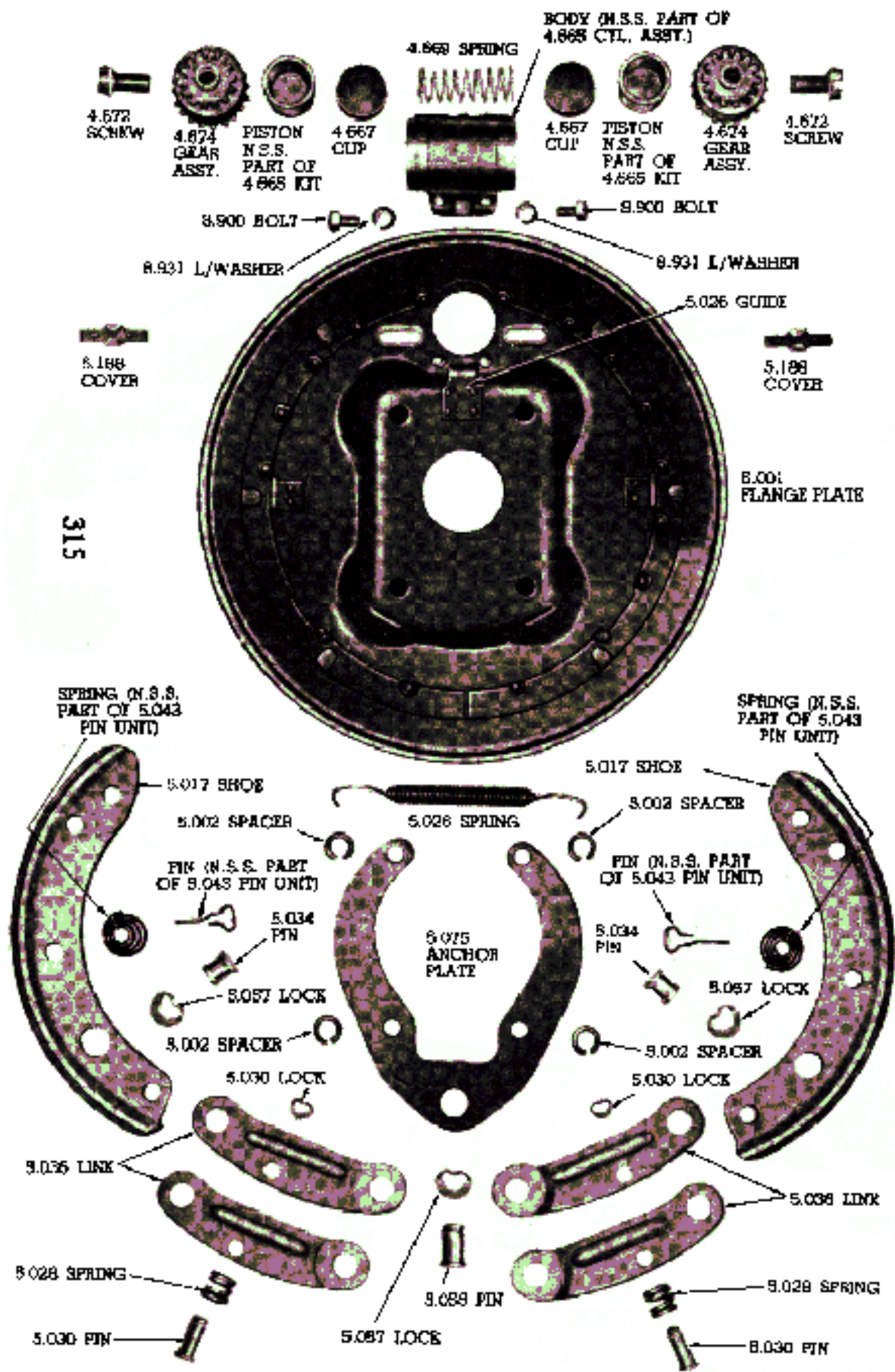
**4.955 VALVE ASSEMBLY—BRACKET, Vacuum Power Brake Check**

39-46	V, W, Y, M, OR, OS, OW, OY (exc. COE)	.....	1796164	1	4.77
46	ALL.....	(4-bolt split type).....	608279	1	3.07
46-54	2-SPD. AXLE (Vac. Shift) (w/Bendix)....	VALVE, check.....	2214107	A.R.	(5.645)
46	OE, OF, OG, PL, PV, PW, PX.....	BRACKET.....	3672108	1	.53
46-48	2-SPD. AXLE (Vac. Shift).....	TEE ASSY.....	3847069	1	(5.645)
47-54	ALL (exc. 2-SPD. AXLE).....	TEE ASSY.....	3847412	1	1.88
46-54	2-SPD. AXLE (Vac. Shift) (w/Bendix)....	SEAL ASSY. (part of 2214107).....	2225240	A.R.	(5.645)
46-54	2-SPD. AXLE (Vac. Shift) (w/Bendix)....	SPRING (part of 2214107).....	2225241	A.R.	(5.645)
46-54	2-SPD. AXLE (Vac. Shift) (w/Bendix)....	WASHER (part of 2214107).....	2225242	A.R.	(5.645)
46-54	2-SPD. AXLE (Vac. Shift) (w/Bendix)....	RING, seal snap (part of 2214107).....	2156894	1	.06
46-54	ALL (w/Bendix).....	ELBOW (1/2 male, 3/4 female thd.).....	187712	1	(8.963)
47-54	2-SPD. AXLE (Vac. Shift) (w/Bendix)....	ELBOW (1/2—14 pipe thd. x 2 7/8 overall).....	3685878	1	(5.638)

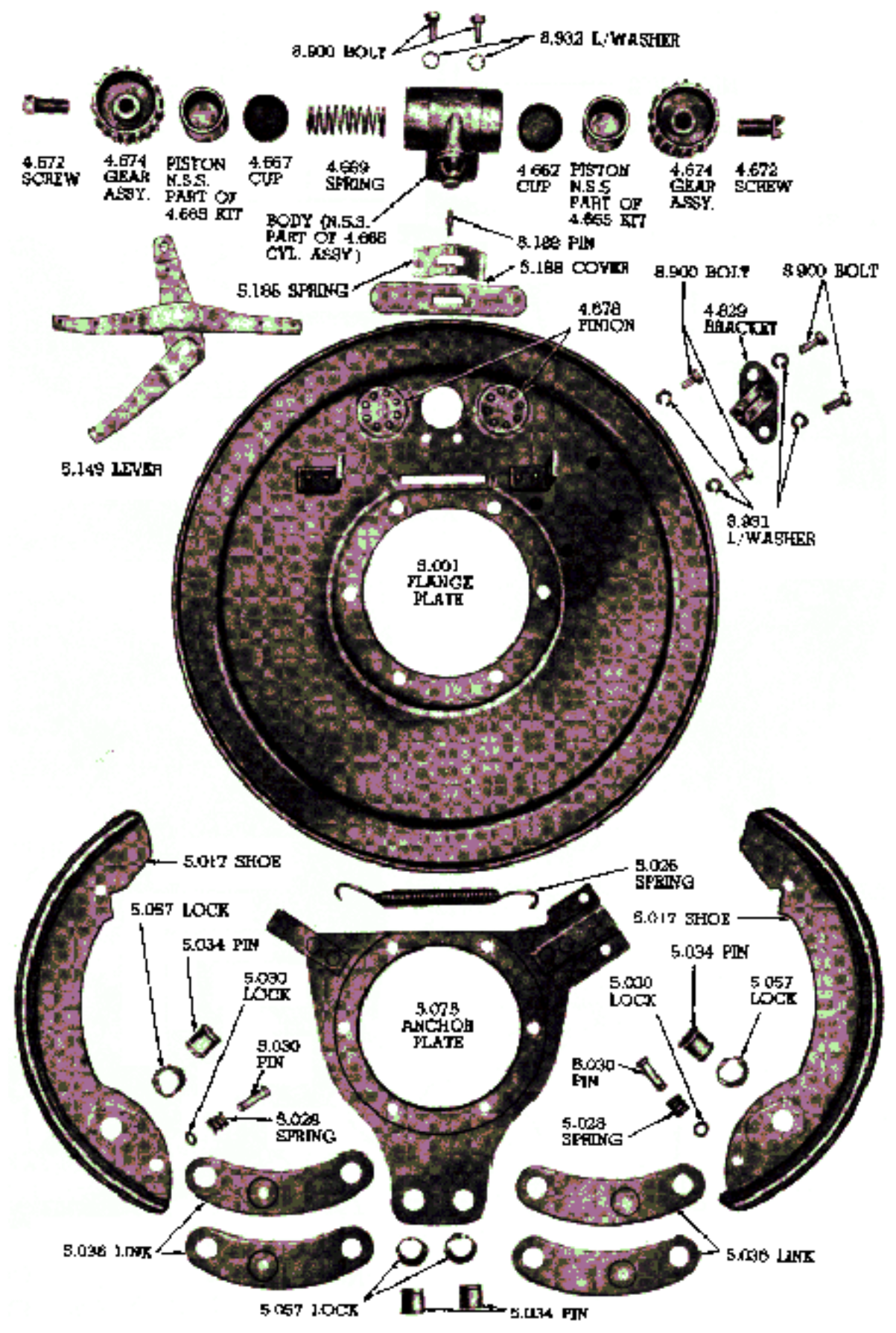
**4.957 ADAPTER, Vacuum Power Brake**

46-54	ALL (w/Bendix).....	cyl. pipe (3/16—24 int. x 1/2—20 ext. thds.)..	3686664	2	.37
46-54	ALL (w/Bendix).....	GASKET, copper (1/2 I.D.—1 1/8 O.D.).....	799303	2	(4.661)



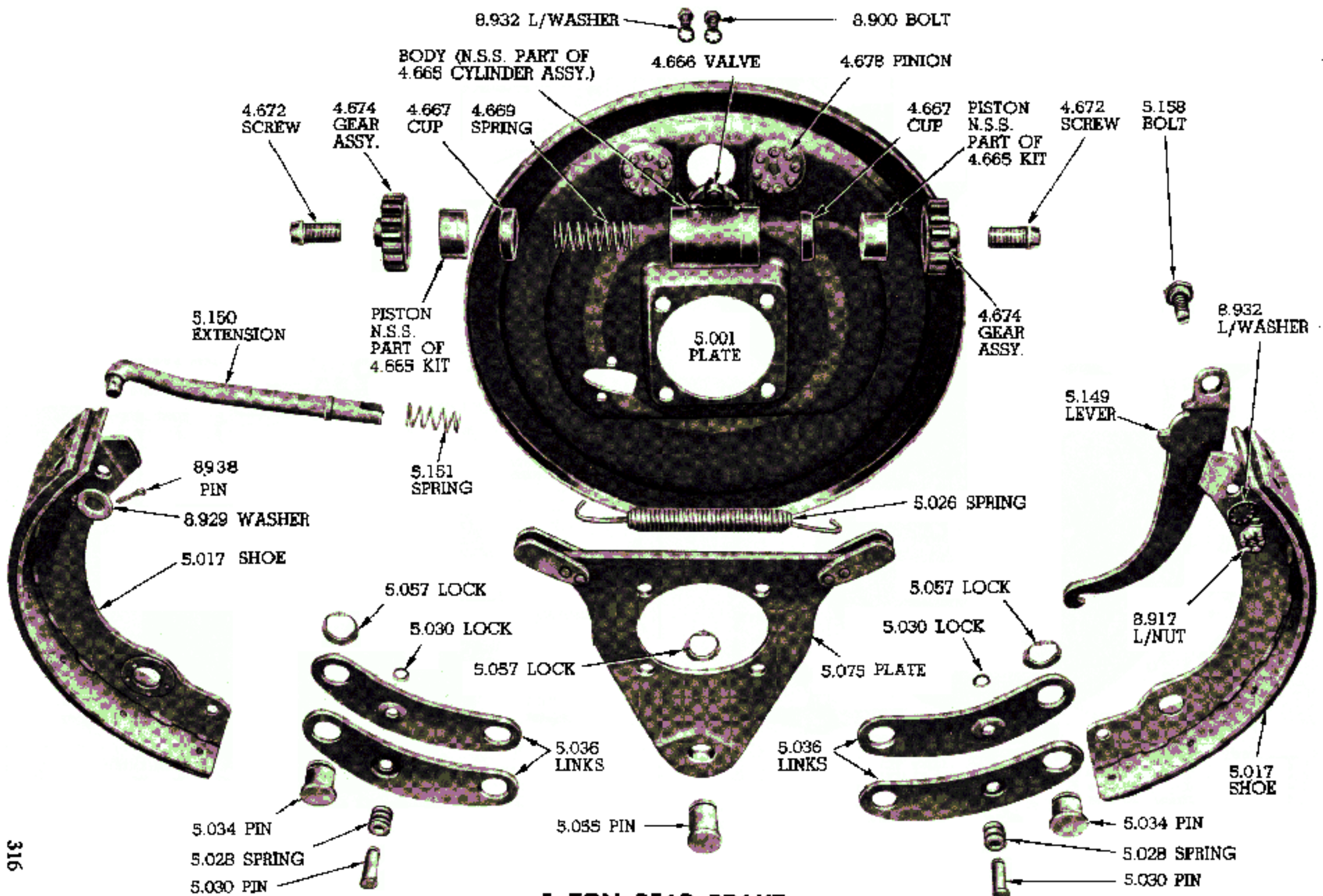


HYDRAULIC BRAKE PARTS—FRONT

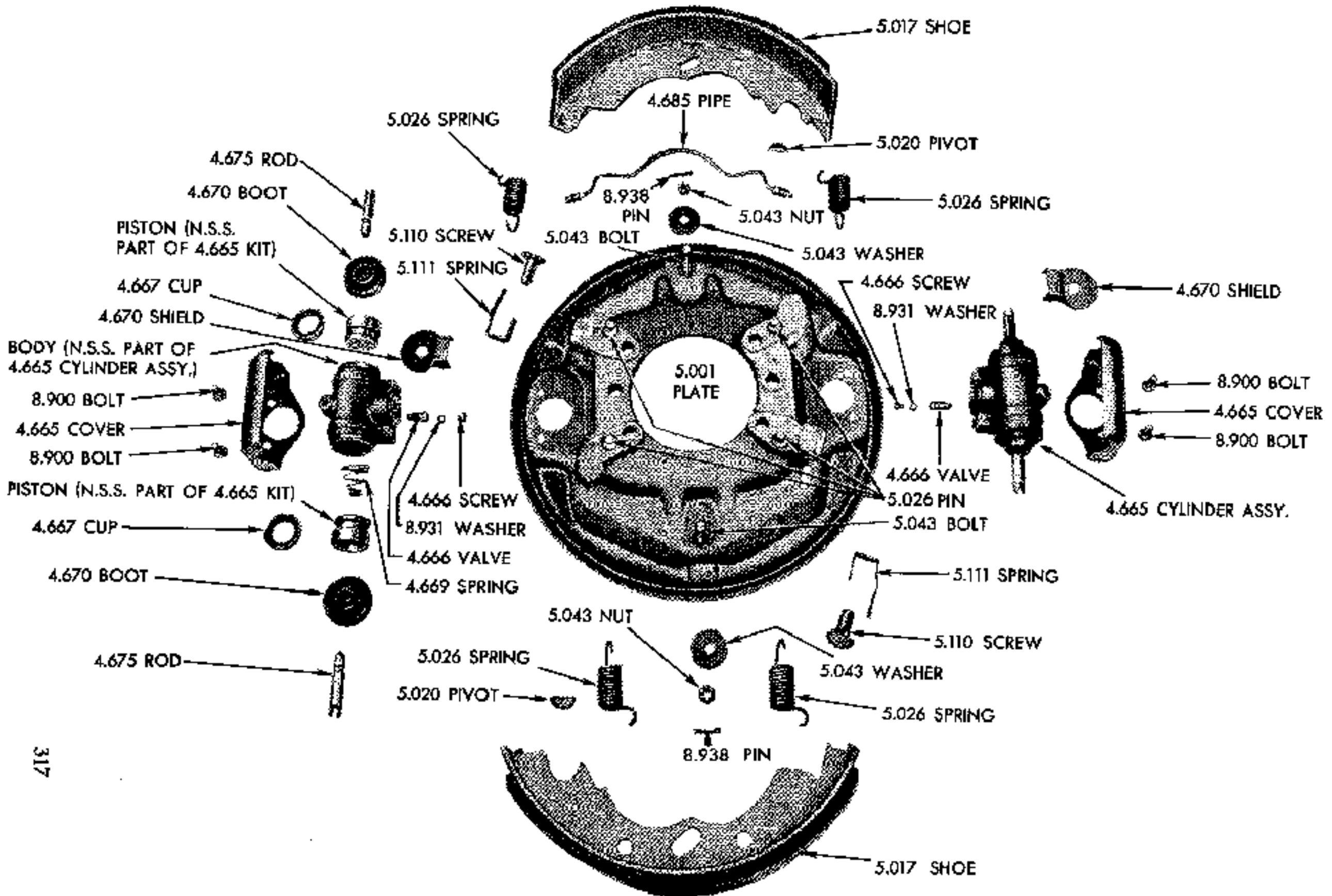


1 1/2 TON REAR BRAKE PARTS



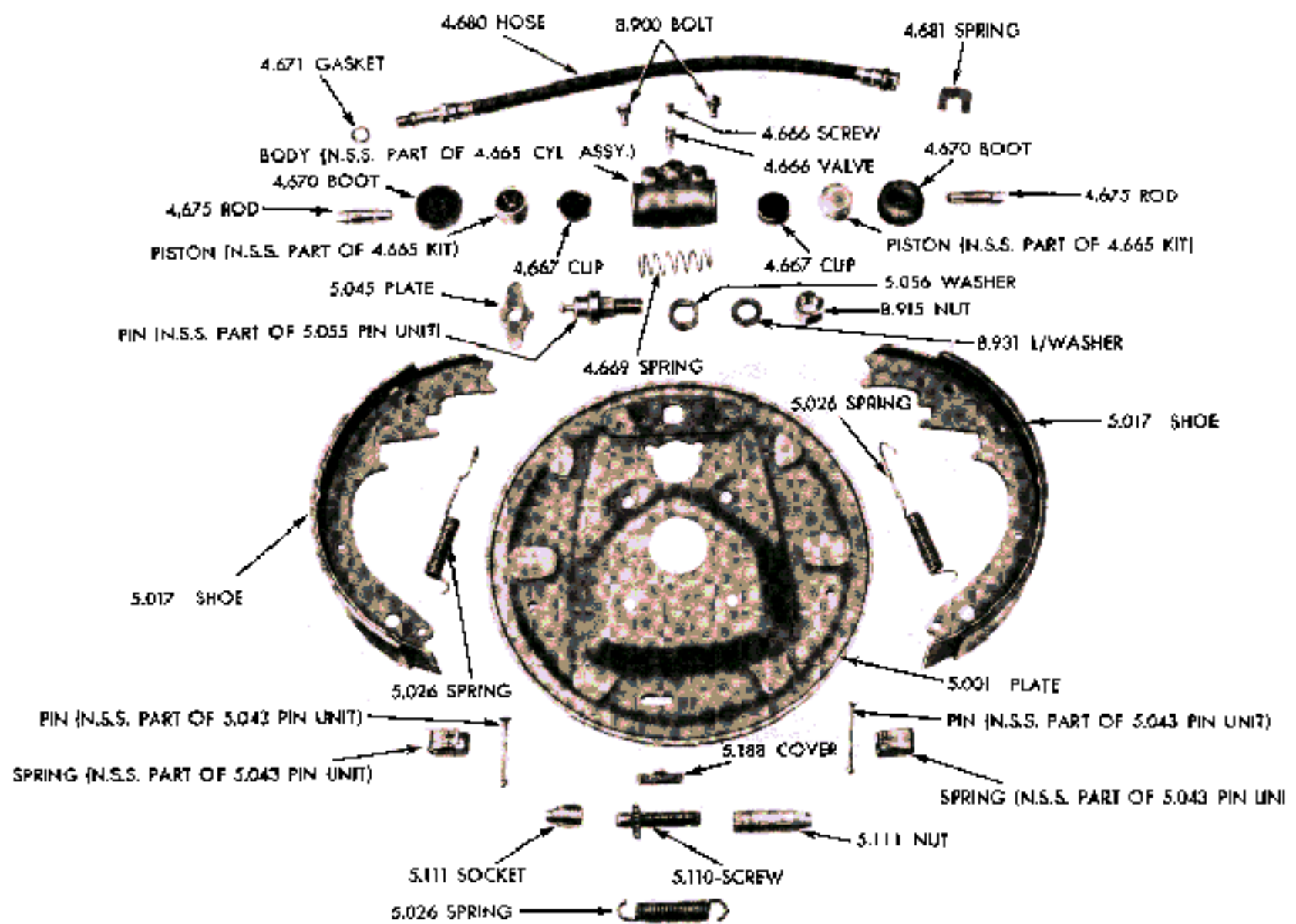


**1 TON REAR BRAKE**

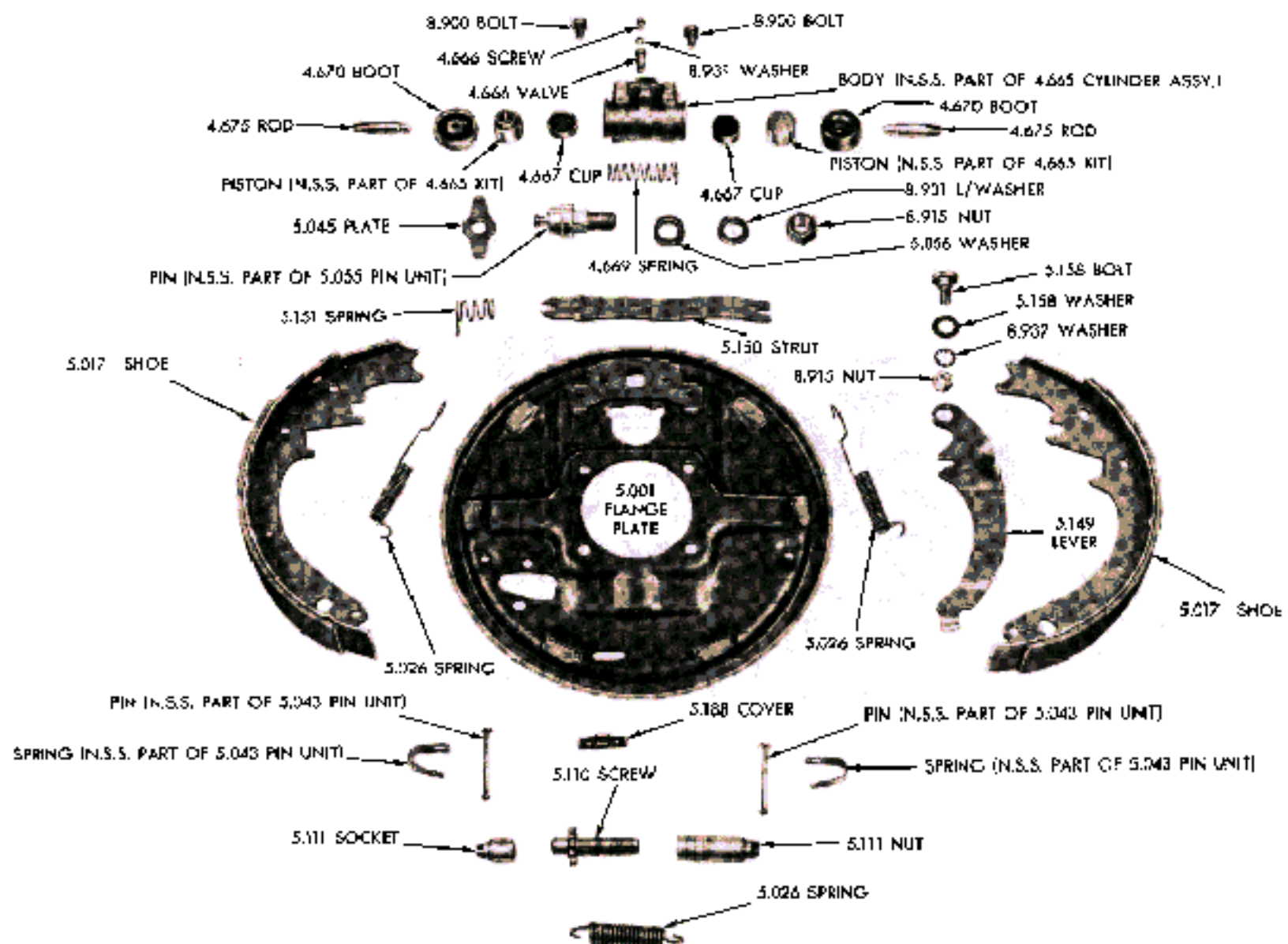


1951-53 1 1/2 AND 2 TON REAR BRAKE PARTS (R. H. BRAKE SHOWN)





## 1951-54 PASSENGER FRONT BRAKE PARTS



## 1951-54 PASSENGER REAR BRAKE PARTS



# CHEVROLET MASTER PARTS CATALOG

YEAR	MODEL	PART NAME	PART NO.	NO. USED	LIST PRICE
<b>5.001 PLATE ASSEMBLY, Brake Flange</b>					
36	FC.....	front.....	475495	2	2.93
36-40	FD, GB, HB, JB, KB,				
36-42	COMM.,				
46-50	1/2 TON.....	front.....	3691417	2	2.77
36-37	UTILITY.....	front (bolt holes 1/8 diameter).....	477452	2	2.93
37-42	UTIL. (exc. COE, hvy. duty),				
48-50	OR, OS, PI, PK, QI, QK, RI, RK, SJ, SK, TI, TK.....	front (lower bolt holes 1/2 dia.).....	596572	2	2.15
39	COE,				
40-48	W, Y, M, O (w/hvy. duty front axle) (see note, Group 6.008),				
46-49	SBC, 2 TON (1st design).....	front (2 3/8 dia. hole).....	3690720*	2	2.15
39-48	PASS. (exc. JB, KB).....	front.....	3652805	2	2.77
46-52	3/4 TON (exc. D-D).....	front.....	3691418	2	1.80
46-52	1 TON (exc. D-D).....	front.....	3681054	2	2.77
48-52	DUBL-DUTI.....	front.....	3687466	2	2.70
49-50	PASS.....	front.....	3687700	2	2.77
49-50	SBC, 2 TON (2nd design),				
51-52	UTILITY.....	front (2 3/8 dia. hole).....	3691427	2	2.19
51-54	PASS.....	front.....	3694955	2	2.77
51-54	1/2 TON.....	front.....	3694957	2	2.77
53-54	3/4, 1 TON (exc. D-D).....	front (four attaching holes 1/2).....	3698327	2	4.25
53-54	DUEL-DUTI.....	front (four attaching holes 3/8).....	3698345	2	4.25
53-54	1 1/2 TON (exc. SBC).....	front.....	3698979	2	6.25
53-54	1 1/2 TON (hvy. duty),				
53-54	SBC, 2 TON.....	front.....	3698988	2	6.25
36-50	PASS., 1/2 TON, GD, HD, ID, KD, AL, BL.	rear, L.....	3691415	1	2.25
36-50	PASS., 1/2 TON, GD, HD, ID, KD, AL, BL.	rear, R.....	3691416	1	2.25
36-50	UTILITY.....	rear, L. (w/wheel cyl. adj. shaft, pinion and spring).....	592159	1	4.35
36-50	UTILITY.....	rear, R. (w/wheel cyl. adj. shaft, pinion and spring).....	592170	1	4.35
37-42	GE, HE, JE, KE, KF, AM, AN, BM, BN.....	rear, L.....	3652803	1	2.25
37-42	GE, HE, JE, KE, KF, AM, AN, BM, BN.....	rear, R.....	3652804	1	2.25
46-52	3/4 TON.....	rear, L.....	3680947	1	2.25
46-52	3/4 TON.....	rear, R.....	3680948	1	2.25
46-52	1 TON.....	rear, L.....	3681157	1	3.27
46-52	1 TON.....	rear, R.....	3681158	1	3.27
51-54	PASS., 1/2 TON.....	rear, L.....	3693451	1	2.77
51-54	PASS., 1/2 TON.....	rear, R.....	3693452	1	2.77
51-54	UTILITY.....	rear, L. (w/hold down bolt nut).....	3698357	1	9.47
51-54	UTILITY.....	rear, R. (w/hold down bolt nut).....	3698358	1	9.47
53-54	3/4 TON.....	rear, L.....	3698397	1	4.25
53-54	3/4 TON.....	rear, R.....	3698398	1	4.25
53-54	1 TON.....	rear, L.....	3698959	1	6.25
53-54	1 TON.....	rear, R.....	3698970	1	6.25
*NOTE: On 1946-49 models enlarge 4 holes to 3/16 I.D.					
<b>5.002 BOLT—SHIELD—SPACER—SHIM—RIVET, Flange Plate</b>					
30-39	ALL (exc. CC, DC, EA, EC, FC, GA, HA, JA, COE),				
40-52	COMM., WA (exc. D-D),				
40-42	WB, WC, YR, YS, YT, MR, MS (exc. hvy. duty),				
46-50	1 1/2 TON (exc. SBC, hvy. duty),				
53	1/2 TON.....	frt. flange (1/8—20 x 2 1/4 hex. head)....	3658626	4	.08
30-40	AD, LR, LS, AE, BA, BB, CA, CB, DB, EB, ED, FB, FC, FD, GB, GC, GD, GE, HB, HC, HD, HE, JB, JC, JD, IE, KC, KD, KE, KF.....	plate to strg. knuckle, long (3 3/4 overall length, w/1/8—20 thd. on both ends)...	358001	4	.37
35	EC.....	plate to strg. knuckle (2 3/8 O.L., w/3/8— 24 thd. on both ends) short.....	378808	4	.32

35	EC	plate to strg. knuckle (3 $\frac{1}{8}$ O.L., w/3 $\frac{1}{8}$ —24 thd. on both ends) long	378809	4	.63
31-37	LT, M, N, O, P, Q, R, S	plate to strg. knuckle (4 $\frac{1}{8}$ O.L., w/1 $\frac{1}{8}$ —20 thd. on both ends)	365310	4	.37
37-42	UTILITY (exc. COE, hvy. duty),	plate to strg. knuckle (4 $\frac{1}{8}$ O.L., w/1 $\frac{1}{2}$ —20 thd. on both ends)	596665	4	.37
46-50	1 $\frac{1}{2}$ TON (exc. SBC)	flange plate to strg. knuckle (3 $\frac{1}{8}$ —20 x 1 $\frac{3}{4}$ hex. head)	599250	4	.08
46-52	3/4, 1 TON (exc. D-D)	flange (used w/flng. plate 3650720) (2 $\frac{3}{8}$ L. w/1 $\frac{1}{2}$ —20 thd. on both ends) (w/No. 3656629 or 3681011 frgd. on 'I' Beam)	3650725	8	.32
39-48	PASS. (exc. JB, KB)	plate and strg. arm to strg. knuckle (1 $\frac{1}{8}$ —20 x 2 $\frac{1}{4}$ hex. head)	599843	4	.12
39	COE	frt. flange, short (3/8—20 x 2 hex. hd.)	3693612	4	.12
40-42	UTILITY (hvy. duty)	frt. flange (3/8—20 x 3 $\frac{1}{4}$ hex. head)	3658625	4	.12
46	O	rear flange to hsq. (1/2—20 x 1)	217208	8	.11
39-48	PASS. (exc. JB, KB)	flange (4 $\frac{1}{2}$ long w/3/8—18 thds. one end —1/2—20 other end)	3678198	4	.48
40	KB,	flange (3 $\frac{1}{4}$ long w/3/8—18 thds. one end —1/2—20 other end)	3678199	4	.37
51-54	PASS.	frt. flange, short (3/8—20 and 3/8—18)	3686544	4	.32
41-42	COMM.,	frt. flange, short (3/8—20 x 2 $\frac{1}{4}$ hex. hd.)	3687649	4	.12
46-50	1/2 TON,	frt. flange, long (3/8—20 x 2 $\frac{1}{8}$ hex. hd.)	3693621	4	.15
49-50	PASS.	frt. flange, long (1/2—20 x 3 $\frac{1}{4}$ hex. hd.)	3694247	4	.20
48-52	3/4, 1 TON,	rear flange (3/8—18 x 1 $\frac{1}{8}$ hex. hd.)	3694558	12	.20
53-54	3/4 TON	frt. flange, short (1/2—20 x 1 $\frac{1}{2}$ )	3697429	4	.11
46-50	D-D, SBC, 2 TON	frt. flange, long (1/2—20 x 2 $\frac{3}{4}$ )	3697430	4	.14
51-52	UTILITY, D-D	frt. flange, short (3/8—18 x 1 $\frac{3}{4}$ )	3697447	4	.20
46-50	SBC, 2 TON	frt. flange, long (3/8—18 x 2 $\frac{1}{8}$ )	3697448	4	.25
51-52	UTILITY	rear flange to hsq. (1/2—20 x 1 $\frac{1}{8}$ )	453716	8	.11
48-52	DUBL-DUTI	frt. flange, short (1/2—20 x 1 $\frac{1}{4}$ hex. hd.)	3698982	4	.11
49-50	PASS.	frt. flange, long (1/2—20 x 3 $\frac{1}{2}$ hex. hd.)	3698983	4	.15
51-54	PASS.	frt. flange, short (3/8—18 x 2 $\frac{1}{8}$ hex. hd.)	3698992	4	.22
51-53	1/2 TON	frt. flange, long (3/8—18 x 3 $\frac{1}{2}$ hex. hd.)	3698993	4	.25
51-54	UTILITY	frt. flange, short (3/8—20 x 2 $\frac{3}{8}$ hex. hd.)	3708832	4	.08
53-54	3/4, 1 TON (exc. D-D)	frt. flange, long (1/2—20 x 4 $\frac{1}{4}$ hex. hd.)	3708833	4	.20
53-54	3/4, 1 TON (exc. D-D)	SHIELD, frt. drum dust (4 $\frac{1}{8}$ x 6 $\frac{1}{2}$ )	3698329	2	.65
53-54	DUBL-DUTI	SHIELD, frt. drum dust (4 holes 1/2 dia.)	3698981	2	.65
53-54	DUBL-DUTI	SHIELD, frt. drum dust (4 $\frac{5}{8}$ x 7) (4 holes 3/8 dia.)	3698991	2	.65
53-54	1 TON	SPACER, frt. anchor plate (1 $\frac{1}{8}$ I.D. x 1 $\frac{1}{8}$ O.D. x 4 $\frac{1}{4}$ long)	3688624	8	.06
53-54	1 $\frac{1}{2}$ TON (exc. SBC, hvy. duty)	SPACER, frt. brk. anchor plate (1 $\frac{1}{8}$ I.D. x 3 $\frac{3}{8}$ O.D. x 1 $\frac{3}{4}$ long)	599226	A.R.	.03
53-54	1 $\frac{1}{2}$ TON (hvy. duty),	SHIM, rear plate, lower (.005)	592403	A.R.	.02
53-54	SBC, 2 TON	RIVET, frt. flg. to radius rod brkt. (5/8 x 3/4)	473612	8	.01
30-39	ALL (exc. CC, DC, EA, EC, GA, HA, IA, COE),				
40-50	COMM., KB, WA (exc. D-D),				
40-42	WB, WC, YH, YS, YT, MR, MS (exc. hvy. duty),				
46-50	1 $\frac{1}{2}$ TON (exc. SBC, hvy. duty)				
51-52	3/4, 1 TON (exc. D-D)				
39-50	PASS. (exc. JB, KB)				
36-46	UTILITY				
34-38	DA, EA, FA, GA, HA				

#### 5.004 BRACKET, Front Brake Flange Radius Rod

34-35	DA, EA	(forged 374630)	374630	2	1.67
36-38	FA, GA, HA	left (forged 475545)	475545	1	1.95
36-38	FA, GA, HA	right (forged 475546)	475546	1	1.95

#### 5.005 SEAL, Front Brake Flange Radius Rod

34-38	DA, EA, FA, GA, HA	rubber (1 $\frac{1}{4}$ I.D. x 1 $\frac{1}{2}$ O.D.)	376571	4	.08
-------	--------------------	--	--------	---	-----

**5.011 ROD ASSEMBLY, Front Brake Radius (w/Bracket)**

(Less flange to radius rod bracket—Group 5.004)

34-38	DA, EA, FA, GA, HA.....	(identified by daub of yellow paint).....	604033	2	6.35
34-38	DA, EA, FA, GA, HA.....	.003 undersized thd.....	604036	2	6.35

**5.012 BOLT, Radius Rod Bracket**

34-38	DA, EA, FA, GA, HA.....	( $\frac{3}{8}$ —24 x $\frac{1}{8}$ hex. head).....	376020	4	.06
-------	-------------------------	---	--------	---	-----

**5.013 LOCK, Radius Rod Bracket Bolt**

34-38	DA, EA, FA, GA, HA.....	( $\frac{3}{8}$ x $3\frac{1}{2}$ long, w/2 holes).....	376015	2	.06
-------	-------------------------	--	--------	---	-----

**5.017 SHOE, Brake, with Facing**

36-40	UTILITY (exc. COE).....	front brake.....	599834	4	2.20
36-50	PASS., $\frac{1}{2}$ TON (exc. FC),				
37-42	$\frac{3}{4}$ TON (exc. JE, KE, AM, BM).....	front and rear brake,			
37-42	GE, HE, IE, KE, KF, AM, AN, BM, BN,				
46-52	$\frac{3}{4}$ TON (exc. D-D).....	front brake (bonded type).....	3681129†*A.R.		2.10
36-50	PASS., $\frac{1}{2}$ TON,				
37-42	$\frac{3}{4}$ TON (exc. JE, KE, AM, BM).....	front and rear brake,			
37-42	GE, HE, IE, KE, KF, AM, AN, BM, BN,				
46-52	$\frac{3}{4}$ TON (exc. D-D).....	front brake (bonded type) (.030 O.S. facing)	3697061†*A.R.		2.10
36-40	UTILITY (exc. COE).....	rear brake.....	599835	4	3.35
37-42	GE, HE, IE, KE, KF, AM, AN, BM, BN....	rear (14 in. brakes) (4 in pkg.).....	3683938	4	2.20
39	COE,				
40-50	UTILITY.....	front brake.....	3660054⊕	4	2.45
39	COE,				
40-50	UTILITY.....	rear brake.....	3660048⊕	4	3.60
46-52	$\frac{3}{4}$ TON.....	rear brake,			
46-52	1 TON, DUBL-DUTI.....	front brake (bonded type).....	3681116† A.R.		2.95
46-52	$\frac{3}{4}$ TON.....	rear brake,			
46-52	1 TON, DUBL-DUTI.....	front brake (bonded type) (.030 O.S. facing)	3697828† A.R.		2.95
46-52	1 TON.....	rear brake (bonded type).....	3681166†	4	3.60
46-52	1 TON.....	rear brake (bonded type) (.030 O.S. facing)	3697830†	4	3.60
51-52	UTILITY.....	front brake.....	3694590	4	2.75
51-52	UTILITY.....	rear brake.....	3694384	4	4.75
53-54	UTILITY.....	rear brake.....	3699533	4	4.75

⊕NOTE: Also used on V, W equipped w/cast iron brake drums.

\*Exchange Price shown. Add .25 to prices if used Chevrolet Brake Shoe Assembly is not exchanged.

**SHOE UNIT, Brake, with Facing**

51-54	PASS., $\frac{1}{2}$ TON.....	front brake (bonded type) (primary and secondary).....	3698177†§	1	8.35
51-54	PASS., $\frac{1}{2}$ TON.....	rear brake (bonded type) (primary and secondary).....	3698709†§	1	7.95
51-54	PASS., $\frac{1}{2}$ TON.....	front brake (bonded type) (primary and secondary) (.030 O.S. facing).....	3697770†§	1	8.35
51-54	PASS., $\frac{1}{2}$ TON.....	rear brake (bonded type) (primary and secondary) (.030 O.S. facing).....	3697783†§	1	7.95
53-54	$\frac{3}{4}$ TON.....	rear brake,			
53-54	$\frac{3}{4}$ 1 TON.....	front brake (bonded type) (primary and secondary).....	3703512	A.R.	12.50
53-54	1 TON.....	rear brake (bonded type) (primary and secondary).....	3703611	1	14.95
53-54	UTILITY.....	front brake (riveted type) (primary and secondary).....	3703510†	1	14.40

†NOTE: Facing material must not be mixed on any one axle.

§Exchange Price shown. Add \$1.00 to prices if used Chevrolet Brake Shoe Unit is not exchanged.

**5.018 FACING, Brake Shoe**

(For use with riveted type shoes)

34-35	DA, EA, ED.....	UNIT, frt. or rear brake.....	601974	2	2.95
36-40	UTILITY (exc. COE).....	UNIT, rear brake.....	603873	1	9.95

36-40	UTILITY (exc. COE).....	UNIT, frt. brake.....	603872	1	6.85
36-48	PASS., COMM. (exc. FC).....	UNIT, frt. and rear (front only on jobs w/14" rear brakes) (8 facings).....	603872	A.R.	6.90
36-48	PASS., COMM. (exc. FC).....	UNIT, frt. and rear (frt. only on jobs w/14" rear brakes) (8 facings—.030 O.S.).....	3697168	A.R.	6.90
37-42	GE, HE, JE, KE, KF, AM, AN, BM, BN....	UNIT, rear brake,			
39-40	COE,				
40	WB, WC (hvy. duty),				
41-50	UTILITY.....	UNIT, front brake.....	605378	1	7.25
37-42	GE, HE, JE, KE, KF, AM, AN, BM, BN....	UNIT, rear brake,			
39-40	COE,				
40	WB, WC (hvy. duty),				
41-50	UTILITY.....	UNIT, front brake (.030 O.S.).....	3697832†	1	7.25
39-40	COE,				
40	WB, WC (hvy. duty),				
41-50	UTILITY.....	UNIT, rear brake.....	605380	1	9.95
39-40	COE,				
40	WB, WC (hvy. duty),				
41-50	UTILITY.....	UNIT, rear brake (.060 O.S.).....	3697834†	1	9.95
51-52	UTILITY.....	UNIT, front brake.....	3696491	1	7.25
51-52	UTILITY.....	UNIT, rear brake.....	3696492	1	14.95
53-54	UTILITY.....	UNIT, front brake (primary and secondary) (stamped 3703508).....	3703508†	1	7.25
53-54	UTILITY.....	UNIT, rear brake (stamped 3703917).....	3703917†	1	14.95

†NOTE: Facings must not be mixed on any one axle.

### 5.019 RIVET, Brake Facing

29-50	UTILITY, DS, ES, FS.....	front and rear,			
37-48	GE, HE, JE, KE, KF, AM, AN, BM, BN, DR, ER, FR.....	rear only,			
51-52	UTILITY.....	front only ( $\frac{3}{4}$ " O.D. x $\frac{23}{64}$ " O.L. w/ $\frac{3}{8}$ " hd.).....	354111	A.R.	100/.82
29-48	PASS.,				
29-39	COMM. (exc. GE, HE, JE).....	front and rear,			
37-48	GE, HE, JE, KE, KF, AM, AN, BM, BN, DR, ER, FR.....	front only,			
40-42	KC, ED, AK, AL, BK, BL.....	frt. and rear ( $\frac{3}{4}$ " x $\frac{1}{2}$ " ctsk. hd., tubular).....	355994	A.R.	100/.82
36-42	SDL.....	front and rear ( $\frac{3}{4}$ " x $\frac{1}{2}$ " ctsk. head, tubular) (used w/hvy. duty lining).....	3667202	80	100/.82
36-48	TAXI.....	rear only ( $\frac{3}{4}$ " x $\frac{1}{2}$ ").....	3694829	58	.01
51-54	UTILITY.....	front only ( $\frac{3}{4}$ " O.D. x $\frac{23}{64}$ " O.L. w/ $\frac{3}{8}$ " hd.).....	3698904	44	100/.82
53-54	UTILITY.....				

### 5.020 PIVOT, Brake Shoe

51-54	UTILITY.....	rear.....	3684528	4	.10
-------	--------------	-----------	---------	---	-----

### 5.026 SPRING—PIN—KIT—GUIDE, Brake Shoe

33-35	CC, DC, EC.....	front and rear brake shoe.....	472756	4	.12
33	CA, CB.....	front and rear brake shoe.....	370780	4	.18
34-35	DA, DB, P, EA, EB, ED.....	front brake shoe,			
34-35	DA, DB, PA, PB, EA, EB, ED.....	rear brake shoe.....	373608	2	.18
35-36	UTILITY.....	front brake shoe.....	377991	2	.18
35-36	UTILITY.....	rear brake shoe.....	378932	2	.25
36-42	PASS., COMM. (exc. hvy. duty, 1TON),				
46-50	PASS., $\frac{1}{2}$ TON.....	front and rear brake shoe,			
37-52	GE, HE, JE, KE, KF, AM, AN, BM, BN, DR, ER, FR, GR, HR, JR, KR.....	front brake shoe only.....	475511	A.R.	.12
36-50	UTILITY.....	front and rear brake shoe,			
39-42	JE, KE, AM, BM,				
37-52	1 TON.....	rear brake shoe only,			
51-52	UTILITY.....	front brake shoe only.....	477474	A.R.	.25
46-52	1 TON, DUBL-DUTI.....	front brake shoe,			
46-52	$\frac{1}{4}$ TON.....	rear brake shoe.....	3680890	A.R.	.25
51-54	PASS., $\frac{1}{2}$ TON.....	adjusting screw, front and rear brake shoe.....	493987	4	.25
51-54	PASS., $\frac{1}{2}$ TON.....	front and rear brake shoe.....	3694822	8	.15
51-54	UTILITY.....	short, rear shoe ( $3\frac{1}{8}$ " O.L. green).....	3684816	4	.17
51-54	UTILITY.....	long, rear shoe ( $3\frac{1}{8}$ " O.L. black).....	3694799	4	.17



51-54	ALL (w/Prop. Shaft Brakes).....	parking, outer shoe.....	3695836	1	.10
53-54	¾ TON.....	front and rear,			
53-54	1 TON.....	front.....	3697428	A.R.	.15
53-54	1 TON.....	rear brake,			
53-54	UTILITY.....	front brake.....	1416653	4	.17
53-54	¾, 1 TON.....	front and rear,			
53-54	UTILITY.....	front (adjusting screw).....	1416760	A.R.	.20
51-54	UTILITY.....	PIN, rear shoe pull back spring.....	3694545	8	.12
51-54	PASS., ½ TON.....	KIT, brake spring.....	3696706*	1	1.05
36-39	F, G, H, I (exc. GE, HE, JE),				
40-42	PASS., KC, KD, AK, AL, BK, BL,				
46-50	PASS., ½ TON.....	GUIDE, front brake shoe spring.....	475493	2	.06

\*NOTE: Consists 4 each: Pull Back Spring; Hold Down Pin and Spring; and 2 Adj. Hole Covers.

#### 5.028 SPRING, Brake Shoe Friction

36-50	UTILITY,				
46-52	1 TON, DUBL-DUTI.....	front and rear brake shoe,			
37-52	GE, HE, JE, KE, KF, AM, AN, BM, BN, DR, ER, FR, GR, HR, JR, KR.....	rear brake shoe,			
51-52	UTILITY.....	front brake shoe (1 <sup>13</sup> / <sub>16</sub> I.D. x 5 <sup>1</sup> / <sub>8</sub> long).....	477440	A.R.	.06
36-42	PASS., COMM. (exc. hvy. duty, 1 TON),				
46-50	PASS., ½ TON.....	front and rear brake shoe,			
37-52	GE, HE, JE, KE, KF, AM, AN, BM, BN, DR, ER, FR, GR, HR, JR, KR.....	front brake shoe only (1 <sup>13</sup> / <sub>16</sub> I.D. x 1 <sup>13</sup> / <sub>16</sub> long).	592417	A.R.	.06
51-54	ALL (w/Prop. Shaft Brakes).....	parking brake shoe lever.....	3695830	1	.06

#### 5.030 PIN-LOCK, Friction Spring

36-50	UTILITY.....	front and rear brake shoe,			
39-42	JE, KE, AM, BM,				
37-52	1 TON.....	rear brake shoe,			
51-52	UTILITY.....	front brake shoe (3 <sup>3</sup> / <sub>8</sub> x 1 <sup>13</sup> / <sub>16</sub> ).....	477443	A.R.	.06
36-42	PASS., COMM. (exc. hvy. duty, 1 TON),				
46-50	PASS., ½ TON.....	front and rear brake shoe,			
37-52	GE, HE, JE, KE, KF, AM, AN, BM, BN, DR, ER, FR, GR, HR, JR, KR.....	front brake shoe (3 <sup>3</sup> / <sub>8</sub> x 1 <sup>13</sup> / <sub>16</sub> ).....	592418	A.R.	.06
46-52	1 TON, DUBL-DUTI.....	front brake shoe,			
46-52	¾ TON.....	rear brake shoe (3 <sup>3</sup> / <sub>8</sub> x 1 <sup>13</sup> / <sub>16</sub> ).....	3680886	A.R.	.06
36-50	ALL.....	LOCK, front and rear brake shoe,			
51-52	COMM., UTIL. (exc. ½ TON).....	front brake shoe,			
51-52	¾, 1 TON.....	rear brake shoe (3 <sup>3</sup> / <sub>8</sub> O.D.).....	475508	A.R.	.02
51-54	ALL (w/Prop. Shaft Brake).....	LOCK, parking brake shoe lever.....	2084234	2	.06

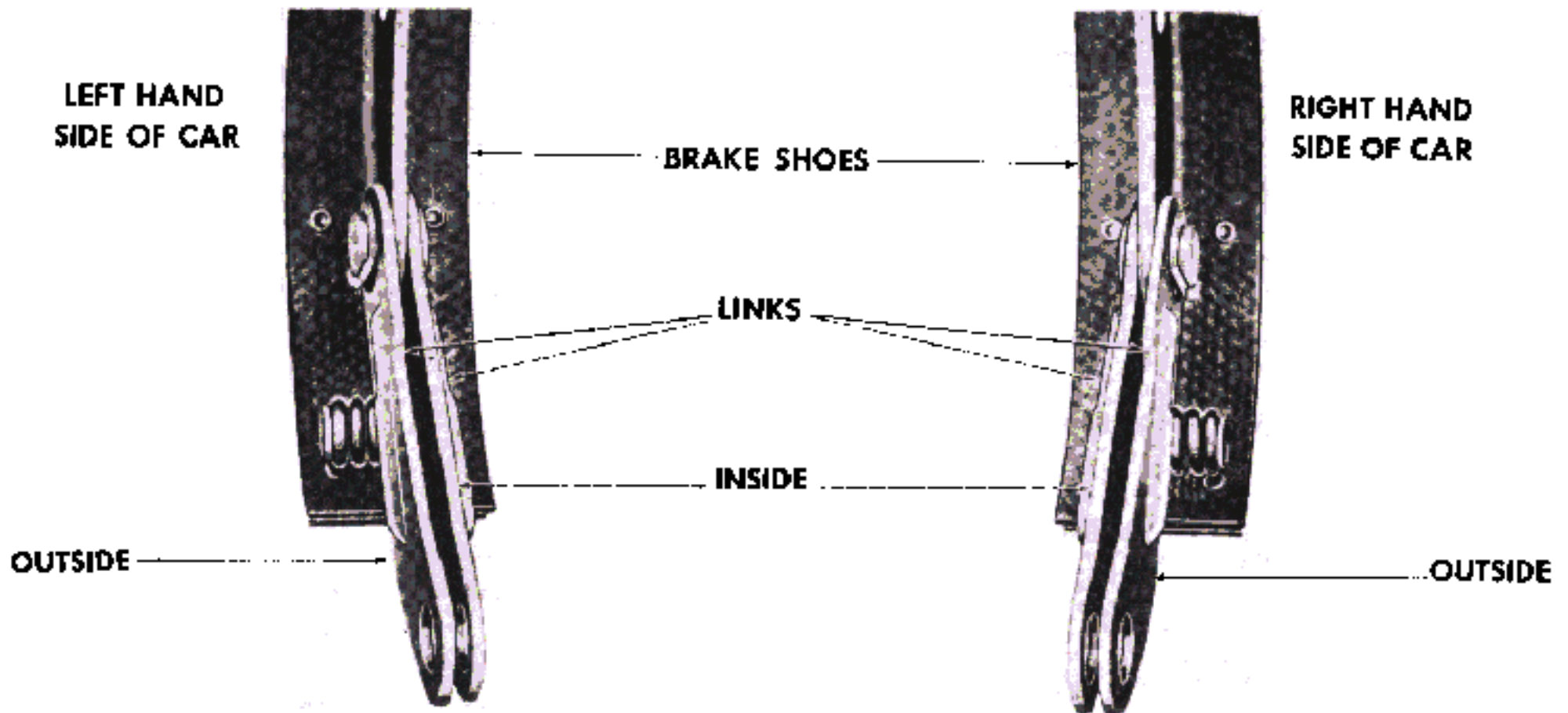
#### 5.034 PIN, Brake Shoe Link

36-42	PASS., COMM. (exc. hvy. duty, 1 TON),				
46-50	PASS., ½ TON.....	front and rear brake shoe,			
37-52	GE, HE, JE, KE, KF, AM, AN, BM, BN, DR, ER, FR, GR, HR, JR, KR.....	front brake shoe.....	592419	4	.12
36-50	UTILITY.....	front and rear brake shoe,			
39-42	JE, KE, AM, BM,				
37-52	1 TON.....	rear brake shoe,			
51-52	UTILITY.....	front brake shoe.....	477444	A.R.	.18
46-52	1 TON, DUBL-DUTI.....	front brake shoe,			
46-52	¾ TON.....	rear brake shoe.....	3680887	4	.18

#### 5.036 LINK, Hydraulic Brake Shoe

NOTE: See Brake Link Chart following for model application of Links listed below

Part No.	List Price	Part No.	List Price
477441	.25	592414	.18
477442	.25	592415	.18
477445	.33	592416	.18
477446	.33	3680876	.25
592413	.18	3680879	.25



## BRAKE SHOE LINK ARRANGEMENT

### BRAKE LINK CHART

36-42	PASS., COMM.,	
46-50	PASS., 1/2, 3/4 TON (exc. D-D),	
51-52	3/4 TON (exc. D-D),	front brake,
36-42	PASS., 1/2, 3/4 TON (exc. GE, HE, JE, KE, AM, BM),	
46-50	PASS., 1/2 TON,	rear brake

Side of Vehicle	Brake Shoe Location	Shape of Link	Location of Link on Shoe	
L.H.	Reverse	Offset	Outside	
R.H.	Reverse	Offset	Inside	592413
L.H.	Reverse	Offset	Inside	
R.H.	Reverse	Offset	Outside	592414
L.H.	Forward	Flat	Outside	
R.H.	Forward	Flat	Inside	592415
L.H.	Forward	Flat	Inside	
R.H.	Forward	Flat	Outside	592416

46-52	1 TON, DUBL-DUTI,	front brake,
46-52	3/4 TON,	rear brake

Side of Vehicle	Brake Shoe Location	Shape of Link	Location of Link on Shoe	
L.H.	Reverse	Flat	Inside	
R.H.	Reverse	Flat	Outside	3680876
L.H.	Reverse	Offset	Outside	
R.H.	Reverse	Offset	Inside	3680879
L.H.	Forward	Flat	Outside	
R.H.	Forward	Flat	Inside	3680876
L.H.	Forward	Offset	Inside	
R.H.	Forward	Offset	Outside	3680879

Side of Vehicle	Brake Shoe Location	Shape of Link	Location of Link on Shoe	
	36-52 UTILITY			front brake,
	37-52 1 TON, JE, KE, AM, BM			rear brake
L.H.	Reverse	Offset	Outside	
R.H.	Reverse	Offset	Inside	477441
L.H.	Reverse	Offset	Inside	
R.H.	Reverse	Offset	Outside	477442
L.H.	Forward	Flat	Outside	
R.H.	Forward	Flat	Inside	477445
L.H.	Forward	Flat	Inside	
R.H.	Forward	Flat	Outside	477448

Side of Vehicle	Brake Shoe Location	Shape of Link	Location of Link on Shoe	
	36-50 UTILITY			rear brake
L.H.	Reverse	Flat	Outside	
R.H.	Reverse	Flat	Inside	477446
L.H.	Reverse	Flat	Inside	
R.H.	Reverse	Flat	Outside	477448
L.H.	Forward	Flat	Outside	
R.H.	Forward	Flat	Inside	477445
L.H.	Forward	Flat	Inside	
R.H.	Forward	Flat	Outside	477446

#### 5.043 PIN UNIT, Brake Shoe Hold Down, w/Spring

36-42	PASS., COMM.	front and rear brake (front only on jobs w/14" rear brakes)	3696830	A.R.	.09
46-48	PASS., 1/2, 3/4 TON				
51-52	PASS., 1/2 TON				
53-54	PASS., 1/2, 3/4 TON	front and rear brake,			
53-54	1 TON	front brake	3696704	A.R.	.12
53-54	1 TON	rear brake,			
53-54	UTILITY	front brake	3702978	4	.20
51-54	UTILITY	WASHER, shoe hold down bolt, rear	3694533	4	.10
51-54	UTILITY	NUT, shoe hold down bolt, rear (3/8-24 slotted hex.)	3694546	4	.06
51-54	UTILITY	BOLT UNIT, rear brake hold down	3698458*	4	.25

\*NOTE: Consists of: 1 Bolt (1/2-20 and 3/8-24 x 2 1/8 O.L.), 1 Nut (1/2-20), and 1 L/Washer.

#### 5.046 PLATE, Brake Shoe Guide

51-52	PASS., 1/2 TON				
53-54	PASS., COMM.	front and rear brake,			
53-54	UTILITY	front brake	3691500	A.R.	.20

#### 5.048 SPRING, Brake Shoe Guide

33-35	PASS., COMM.	front and rear long shoe,			
33-36	UTILITY	front brake only	370432	A.R.	.03

#### 5.055 PIN, Brake Shoe Anchor

36-50	PASS., 1/2 TON				
37-40	GD, HD, JD, KD	front and rear brake,			
41-42	1 TON				
46-52	3/4 TON (exc. D-D)	front brake (3/8 dia. x 1)	592420	2	.12
36-52	UTILITY	front brake,			
39-42	JE, KE, AM, BM				
37-52	1 TON	rear brake	477448	2	.25
46-52	1 TON, DUBL-DUTI	front brake,			
46-52	3/4 TON	rear brake (3/4 x 1 1/4)	3680889	2	.25
53-54	3/4 TON	front and rear brake,			
53-54	1 TON	front brake (3 1/4 O.L.)	3702221	A.R.	.50
53-54	1 TON	rear brake,			
53-54	UTILITY	front brake	3699372	2	1.35
51-54	PASS., 1/2 TON	UNIT, front and rear brake	3696705*	4	1.05

\*NOTE: 3696705 consists of 1 each: Anchor Pin, Washer, L/Washer, and Nut.

**5.056 WASHER, Brake Shoe Anchor Pin**

51-54	PASS., 1/2 TON.....	front and rear brake.....	3694704	4	.10
-------	---------------------	---------------------------	---------	---	-----

**5.057 LOCK, Brake Shoe Anchor Pin**

30-37	PASS., COMM. (exc. CC, DC, EC, GE),				
38-42	HD, ID, KD, AL, BL,				
38-50	PASS., 1/2 TON.....	front and rear brake,			
30-34	UTILITY,				
40-42	KE, KF, AM, AN, BM, BN,				
46-52	3/4 TON (exc. D-D).....	front brake (1 1/8 O.D.).....	358829	A.R.	.06
30-34	UTILITY,				
37-42	GE, HE, IE, KE, KF, AM, AN, BM, BN,				
46-54	1 TON, D-D (exc. FU, GU).....	rear brake,			
35-54	UTILITY.....	front and rear (1 1/8 O.D.).....	359380	A.R.	.07
33-35	CC, DC, EC.....	(1 1/8 O.D.).....	472576	24	.06
46-52	1 TON, DUBL-DUTI.....	front brake,			
46-52	3/4 TON.....	rear brake (1 1/8 O.D.).....	3680888	A.R.	.06

**5.075 PLATE, Brake Shoe Anchor**

36-42	PASS., COMM. (exc. FA, FC, GA, HA),				
46-48	PASS., 1/2 TON,				
49-50	1/2 TON.....	frt. brake.....	599230	2	.72
37-50	UTIL. (exc. COE, hvy. dty. axle).....	frt. brake (lower bolt holes 1/2 dia.).....	596574	2	.95
39-52	UTILITY (hvy. dty. frt. axle).....	frt. brake.....	3680718	2	.95
46-52	3/4 TON (exc. D-D).....	frt. brake (painted green).....	3680914	2	.72
46-52	1 TON, DUBL-DUTI.....	frt. brake.....	3680972	2	.95
49-50	PASS.....	frt. brake.....	3687658	2	.72
36-39	F, G, H, J (exc. GE, HE, IE),				
40-42	PASS., KC, KD, AK, AL, BK, BL,				
46-50	PASS., 1/2 TON.....	rear brake.....	475474	2	.72
36-50	UTILITY.....	rear brake, L.....	592411	1	2.28
36-50	UTILITY.....	rear brake, R.....	592412	1	2.25
37-42	GE, HE, IE, KE, KF, AM, AN, BM, BN.....	rear brake.....	597235	1	2.08
46-52	3/4 TON.....	rear brake.....	3680944	2	1.40
46-52	1 TON.....	rear brake.....	3681000	2	1.40

**5.110 SCREW, Brake Shoe Adjusting**

51-52	PASS., 1/2 TON,				
53-54	PASS., 1/2, 3/4 TON.....	front and rear brake,			
53-54	1 TON.....	front brake.....	496351	A.R.	.40
51-54	UTILITY.....	rear, left.....	3694517	2	.20
51-54	UTILITY.....	rear, right.....	3694518	2	.20
53-54	1 TON.....	rear brake,			
53-54	UTILITY.....	front brake (2 3/4 O.L.).....	1416753	2	.65

**5.111 SOCKET-NUT-SPRING, Brake Shoe Adjusting Screw**

51-54	PASS., 1/2 TON (exc. H).....	front and rear brake,			
53-54	COMM.....	rear brake,			
54	COMM.....	front brake.....	3694700	A.R.	.20
53-54	1 TON.....	rear brake,			
53-54	UTILITY.....	front brake.....	3697400	2	.23
51-54	PASS., 1/2 TON (exc. H).....	NUT, front and rear brake,			
53-54	COMM.....	rear brake,			
54	COMM.....	front brake.....	3694702	A.R.	.25
53-54	1 TON.....	NUT, pivot, rear brake,			
53-54	UTILITY.....	pivot, front brake.....	3698655	2	.28
51-54	UTILITY.....	SPRING, lock, rear brake.....	3694524	4	.06

**5.130 CAM, Brake, w/Shaft**

34-35	DA, DB, P, EA, EB, ED.....	front, L.....	373639	1	.98
-------	----------------------------	---------------	--------	---	-----

NOTE: 373639 is also used on series Q when equipped with 9.00 x 15 tires.

**5.135 HOUSING, Front Brake Camshaft Lever Rod**

30-33	AD, AE, L, M, BA, BB, N, CA, CB, O....	front brake (cast 357998).....	357998	2	.80
34-36	DA, DB, EA, EB, ED, F, Q, R.....	front brake (cast 374440).....	374440	2	.82



### 5.148 ROD, Front Brake Camshaft Lever

30-35	AD, AE, BA, CA, DB, EB, ED, L, M, N, O, P	(forged 375870)	375870	2	.69
34-35	DA, EA	(7 1/4 O.L.)	374238	2	1.06

### 5.149 LEVER, Parking Brake Shoe

36-50	UTILITY	with link	592159	2	1.09
36-39	F, G, H, I (exc. GE, HE, IE),				
40-42	PASS., KC, KD, AK, AL, BK, BL,				
46-50	PASS., 1/2 TON	L. (8 O.L.)	475477	1	.33
36-39	F, G, H, I (exc. GE, HE, IE),				
40-42	PASS., KC, KD, AK, AL, BK, BL,				
46-50	PASS., 1/2 TON	R. (8 O.L.)	475478	1	.33
37-52	1 TON, JE, KE, AM, BM	L. (9 3/4 O.L.)	596973	1	.38
37-52	1 TON, JE, KE, AM, BM	R. (9 3/4 O.L.)	596974	1	.38
46-52	3/4 TON	L. (8 1/2 O.L.)	3680953	1	.38
46-52	3/4 TON	R. (8 1/2 O.L.)	3680954	1	.38
51-54	PASS., 1/2 TON	L. (7 11/16 O.L.)	3693603	1	.35
51-54	PASS., 1/2 TON	R. (7 11/16 O.L.)	3693604	1	.35
53-54	3/4 TON	L. (8 3/4 O.L.)	3697449	1	.65
53-54	3/4 TON	R. (8 3/4 O.L.)	3697450	1	.65
53-54	1 TON	L. (10 1/4 O.L.)	3697391	1	.75
53-54	1 TON	R. (10 1/4 O.L.)	3697392	1	.75

### 5.150 EXTENSION—STRUT, Parking Brake Shoe Lever

36-39	PASS., COMM. (exc. GE, HE, IE),				
40-42	PASS., KC, KD, AK, AL, BK, BL,				
46-50	PASS., 1/2 TON	L. (7 1/16 O.L.)	475481	1	.43
36-39	PASS., COMM. (exc. GE, HE, IE),				
40-42	PASS., KC, KD, AK, AL, BK, BL,				
46-50	PASS., 1/2 TON	R. (7 1/16 O.L.)	475482	1	.43
37-52	1 TON, JE, KE, AM, BM	L. (7 11/16 O.L.)	597239	1	.65
37-52	1 TON, JE, KE, AM, BM	R. (7 11/16 O.L.)	597240	1	.65
46-52	3/4 TON	L. (7 19/32 O.L.)	3680957	1	.65
46-52	3/4 TON	R. (7 19/32 O.L.)	3680958	1	.65
53-54	3/4, 1 TON	(7 3/4 O.L.)	3697394	2	.37
51-54	PASS., 1/2 TON	STRUT (7 11/16 O.L.)	3694879	2	.35

### 5.151 SPRING, Parking Brake Shoe Lever

36-39	PASS., COMM. (exc. GE, HE, IE),				
40-42	PASS., KC, KD, AK, AL, BK, BL,				
46-50	PASS., 1/2 TON	extension (1 1/2 I.D. x 1 3/8 O.L.)	476104	2	.02
37-52	1 TON, JE, KE, AM, BM	extension (1 3/4 I.D. x 1 1/2 O.L.)	597241	2	.06
46-52	3/4 TON	extension (1 1/2 I.D. x 1 1/2 O.L.)	3680956	2	.06
51-52	PASS., 1/2 TON,				
53-54	PASS., COMM.	strut (2 1/2 max. I.D. x 1 1/2 O.L.)	1312261	2	.18

### 5.152 LEVER, Brake Camshaft Operating

29	AC	rear external brake, L	355919	1	1.22
29	AC	rear external brake, R	355920	1	1.22
30-36	AD, AE, BA, BB, LS, LT, M, N, O, P, Q, R.	emerg. brake,			
30-36	AD, LH, LS, AE, LT, M, BA, BB, N, CA, CB, O, DA, DE, P, EA, EB, Q, R.	front brake	357915	4	1.22

### 5.153 BOLT, Parking Brake Lever Anchor

36-39	F, G, H, I (exc. GE, HE, IE),				
40-42	PASS., KC, KD, AK, AL, BK, BL,				
46-50	PASS., 1/2 TON	(3/8—24 x 1 5/16) (w/eccentric)	475492	2	.18
37-52	1 TON, JE, KE, AM, BM	(1/2—20 x 1 1/2) (w/eccentric)	597238	2	.17
46-52	3/4 TON	(1/2—20 x 1 1/2) (w/eccentric) (green)	3680955	2	.17
51-54	PASS., 1/2 TON	(3/8—24 x 1 5/16) (w/out eccentric)	3693605	2	.11
53-54	3/4, 1 TON	(1 1/4 O.L.) (w/out eccentric)	3697393	2	.11
51-52	PASS., 1/2 TON,				
53-54	PASS., COMM.	WASHER, spring steel (1 1/2 hole)	1300540	2	.06

**5.188 COVER—SPRING—PIN, Parking Brake Camshaft Hole**

36-39	PASS., COMM.,				
40-54	PASS., ½, ¾ TON.	frt. and rear,			
36-54	1 TON, UTILITY.	frt. flg. adj. hole.	475516	A.R.	.10
36-39	FA, G, H, L.	brake drum adjusting hole.	476143	2	(5.810)
36-50	UTILITY.	rear flange plate.	477464	2	.20
36-50	UTILITY.	SPRING, rear flange plate cover.	477465	2	.11
36-50	UTILITY.	PIN (1 O.L.).	477469	2	.02

**5.195 SCREW, Brake Camshaft Lever Adjusting**

30-35	PASS., COMM. (exc. CC, DC, EC).	rear,			
30-36	ALL (exc. CC, DC, EC, F).	front (3½ O.L.).	366005	4	.12

**5.199 ROLLER, Front Brake Camshaft Lever Rod, w/Pin**

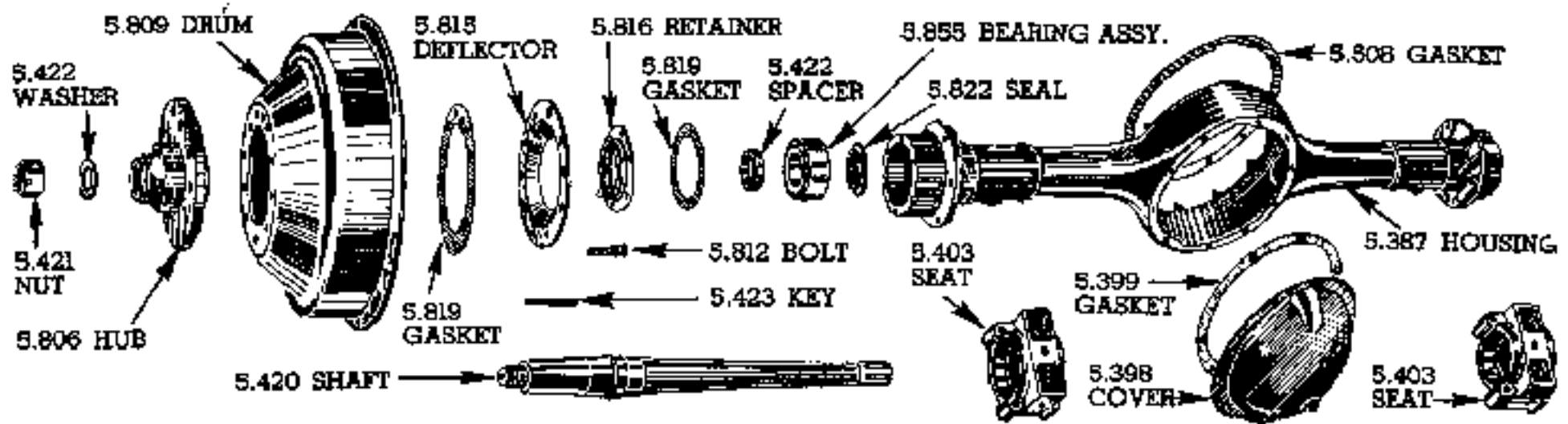
30-36	AD, AE, L, M, BA, BB, N, CA, CB, O, DA, DB, P, EA, EB, ED, Q, FC, R.		358053	4	.18
-------	---	--	--------	---	-----

**5.200 HEAD, Front Brake Camshaft Lever Rod Cross**

30-36	AD, LR, LS, AE, LT, M, BA, BB, N, CA, CB, O, DA, DB, P, EA, EB, ED, Q, R.		357994	2	.60
-------	--	--	--------	---	-----

**5.387 HOUSING—BOLT—VENTILATOR, Rear Axle**

36	R.	(mechanical brake).	601932	1	47.63
37	PASS.		602437	1	28.85
37-39	½ TON.		602438	1	28.85
37-39	GD, HD, JD.		602772	1	31.03
37-39	GE, HE, JE.		602755	1	28.85
37-39	S, T, V (exc. VE, VF).	(73.416-73.396 O.L.) (2 half moon indentations front and rear face—2 indentations rear face to left of centerline—no spring seats on housing).	602445	1	58.25
38-40	PASS.		604384	1	31.03
39-40	VB, VD, VH, VN, WA, WB, WE, WF. (2-SPD.)	(75.800-75.760 O.L.) (2 small indentations rear face to left of centerline—2 small indentations front face—2 vertical indentations approx. 3 long on front face—no spring seats on housing).	603774	1	89.26
39-40	VF, WD (2-SPD. AXLE).	(75.800-75.760 O.L.) (2 half moon indentations on rear face to left of centerline—6 half moon indentations on front face—spring seats welded to housing).	605443	1	96.75
41-50	2-SPD. AXLE.				
40	KD.		604383	1	28.85
40	KE, KF.		604470	1	31.03
40	W (exc. WD).		604387	1	58.25
40-46	½ TON.		605321	1	31.03
41-48	PASS.		605336	1	31.03
41-42	AL, BL.		605337	1	26.85
41-42	AM, AN, BM, BN.		605338	1	26.85
41-42	UTILITY (exc. hvy. duty).	(73.416-73.396 O.L.) (2 half moon indentations rear face to right of centerline—2 half moon indentations front face—spring seats welded to top of housing).	605339	1	72.50
46-50	1½ TON.				
42	UTILITY (w/hvy. duty axle).	(75.800-75.760 O.L.) (2 half moon indentations rear face to right of centerline—2 half moon indentations on front face—spring seats welded to housing).	605928	1	92.75
46-50	2 TON (exc. 2-SPD.)				
46-49	¾ TON.		3690872	1	52.25
46-49	1 TON,				
48-52	1 TON DUBL-DUTI.		3694916*	1	58.50
47-50	½ TON.		3847141	1	31.03
49-50	PASS.		3691273	1	31.09
50-52	¾, 1 TON (exc. 1 TON D-D).		3694914	1	58.50
51-54	PASS.		3703104	1	31.03
51-53	½ TON.		3696164	1	31.03
51-54	1½ TON (exc. hvy. duty).		3705371	1	72.50
51-53	2 TON (exc. 2-SPD).	w/vertical wheel cylinders.	3696166	1	92.75



### REAR AXLE—SEMI-FLOATING

51-53	2-SPD.		3702798	1	96.75
53-54	¼, 1 TON (exc. 1 TON D-D)		3700016	1	52.25
53-54	1 TON DUBL-DUTI.		3700017	1	52.25
53	2 TON (exc. 2-SPD.)	w/diagonal wheel cylinders.	3702797	1	92.75
54	½ TON		3707512	1	31.00
54	2 TON (exc. 2-SPD.)		3707513	1	92.75
54	2-SPD.		3707514	1	96.75
29-54	PASS., ½ TON	BOLT, hsg. to carrier (¾—24 x 1½)	348402	A.R.	.06
33-40	UTILITY	BOLT, hsg. to carrier (¾—11 x 1½)	370457	6	.25
37-42	COMM. (exc. ½ TON)	BOLT, hsg. to carrier (¾—24 x 1½)	596961	6	.06
40-42	COMM.,				
46-54	½ TON	BOLT, hsg. to carrier (¾—24 x 1½)	3652348	4	.06
40-54	UTILITY	BOLT, hsg. to carrier (¾—20 x 1½)	181670	6	(8.900)
37-51	ALL,				
52-54	¼, 1 TON, UTIL.	VENTILATOR, rear axle (thread type)	3684539	1	.18
52	PASS., ½ TON,				
53-54	ALL (exc. PASS., ½ TON)	VENTILATOR, rear axle (drive type)	3700490	1	.18

\*NOTE: On 1946-48 models reverse position of spring eye bolt spacer from inside to outside.

#### 5.392 DEFLECTOR, Axle Housing Oil

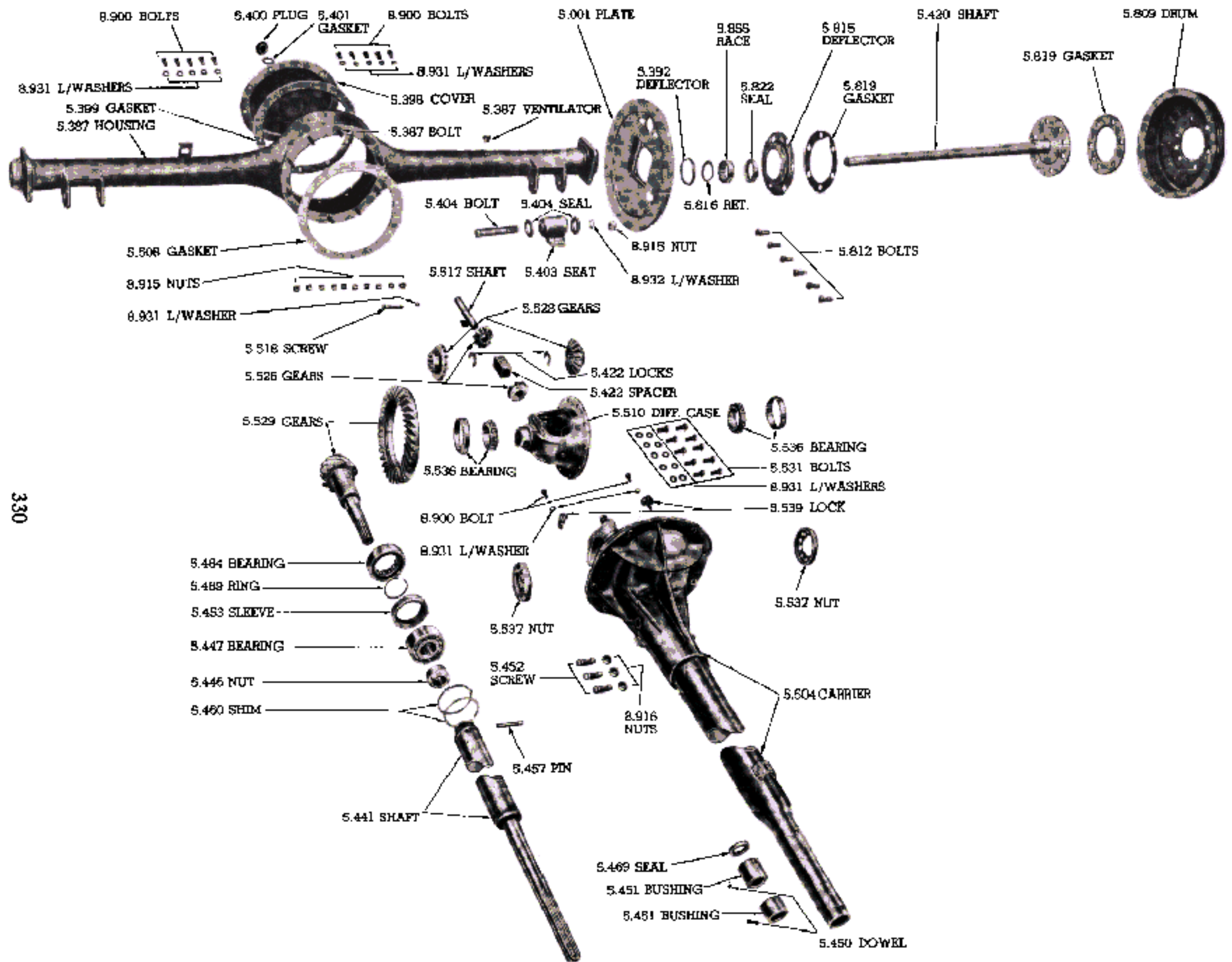
35-36	EA, EB, ED, FA, FB, FD,				
37-42	COMM.,				
46-54	½ TON	(3 I.D. x 3½ O.D.)	377706	2	.06
36	UTILITY	(2½ I.D. x 5½ O.D.)	473630	2	.33
36-54	PASS. (exc. FA, FD)	(1½ I.D. x 3½ O.D.)	3694711	2	.13
37-53	UTILITY,				
54	1½ TON	(3⅞ I.D. x 5½ O.D.)	594314	2	.33
46-54	COMM. (exc. ½ TON)	(2⅞ I.D. x 4⅞ O.D.)	3680985	2	.25
54	2 TON	(⅝ I.D. x 5¼ O.D.)	3703701	2	.33

#### 5.398 COVER, Axle Housing with Filler Plug

33-36	C, D, E, F (exc. CC, DC, EC, FC),				
37-42	COMM.,				
46-54	½ TON		475308	1	1.26
33-39	UTILITY		592188	1	1.69
37-54	PASS.		3656821	1	1.26
39-42	2-SPEED	(early type axle in 1942)	3651476	1	2.85
40-54	UTILITY		3656877	1	1.69
42-54	2-SPEED	(late axle identified by horizontal ribs)	3667226	1	2.85
46-54	COMM. (exc. ½ TON)		3680986	1	1.69

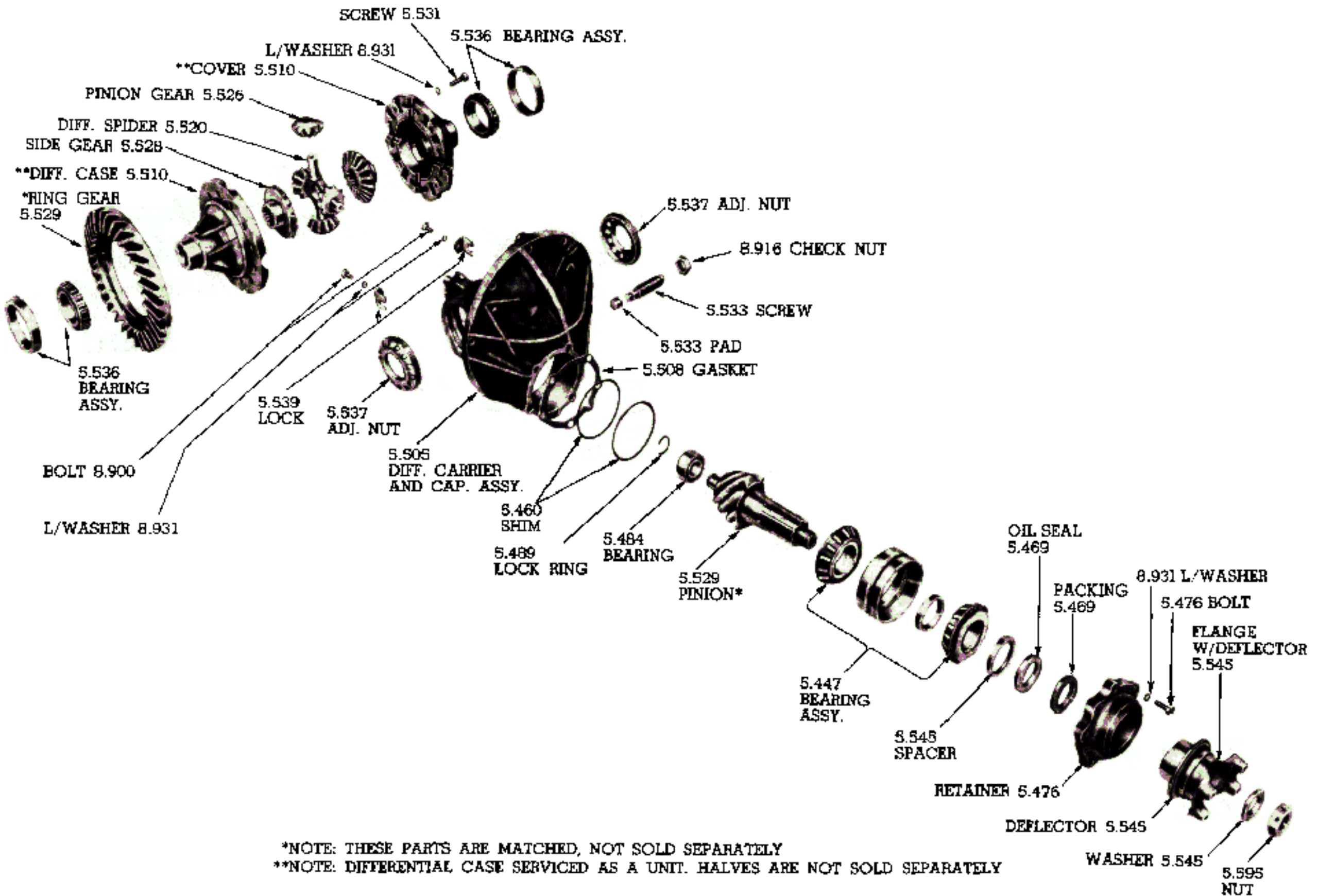
#### 5.399 GASKET, Axle Housing Cover—Cork

33-36	C, D, E, F (exc. CC, DC, EC, FC),				
37-42	COMM.,				
46-54	½ TON	(9⅞ I.D. x 10⅞ O.D.)	370245	1	.20
33-36	CC, DC, EC, FC	(8 I.D. x 9⅞ O.D.)	472608	1	.20
33-54	UTILITY	(11¼ I.D. x 13½ O.D.)	370448	1	.26
37-54	PASS.	(9⅞ I.D. x 10⅞ O.D.)	593017	1	.20
39-54	2-SPEED	(13 I.D. x 14⅞ O.D.)	3651369	1	.34
46-54	COMM. (exc. ½ TON)	(10⅞ I.D. x 12¼ O.D.)	3665606	1	.20

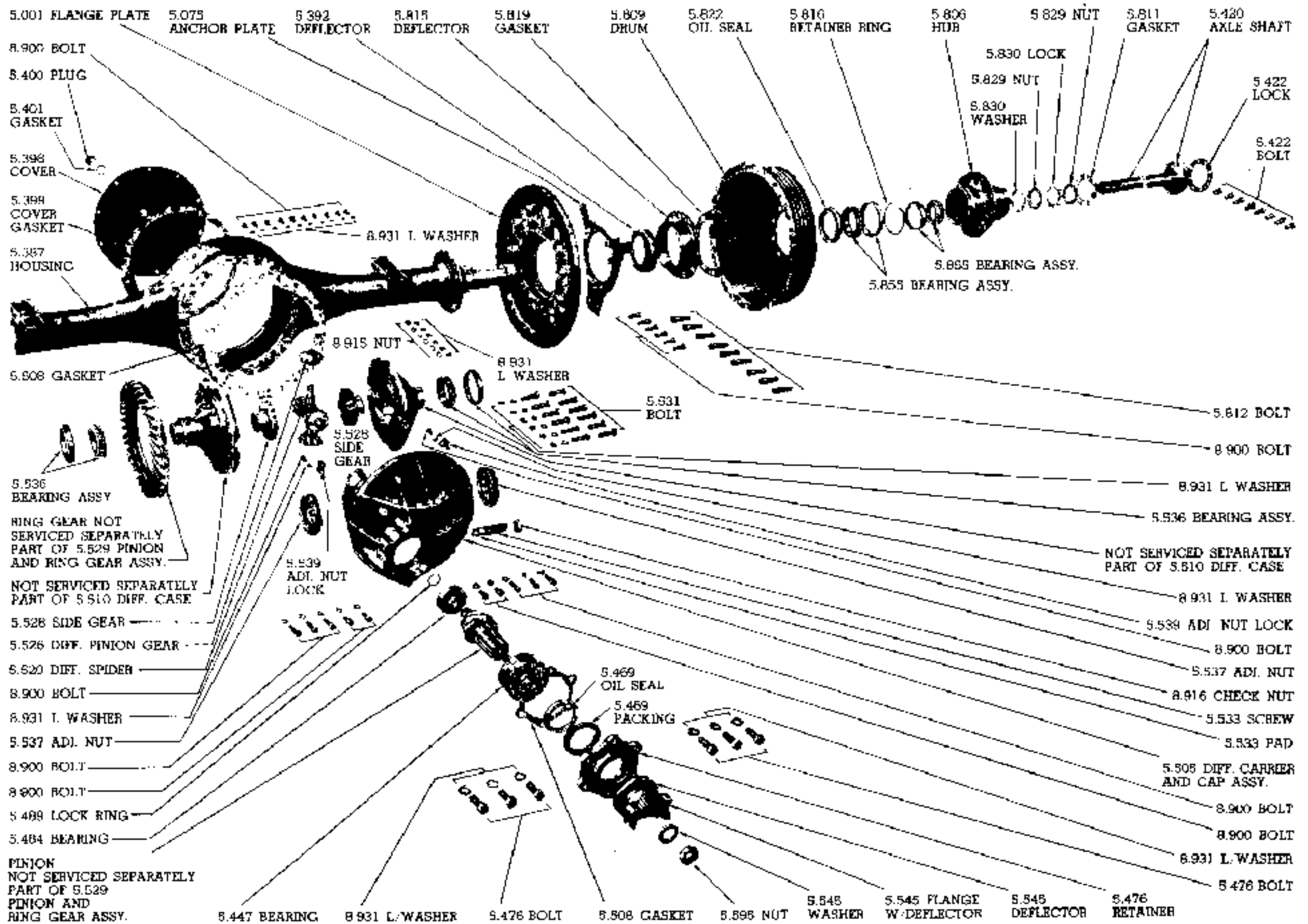


**PASSENGER AND 1/2 TON REAR AXLE**



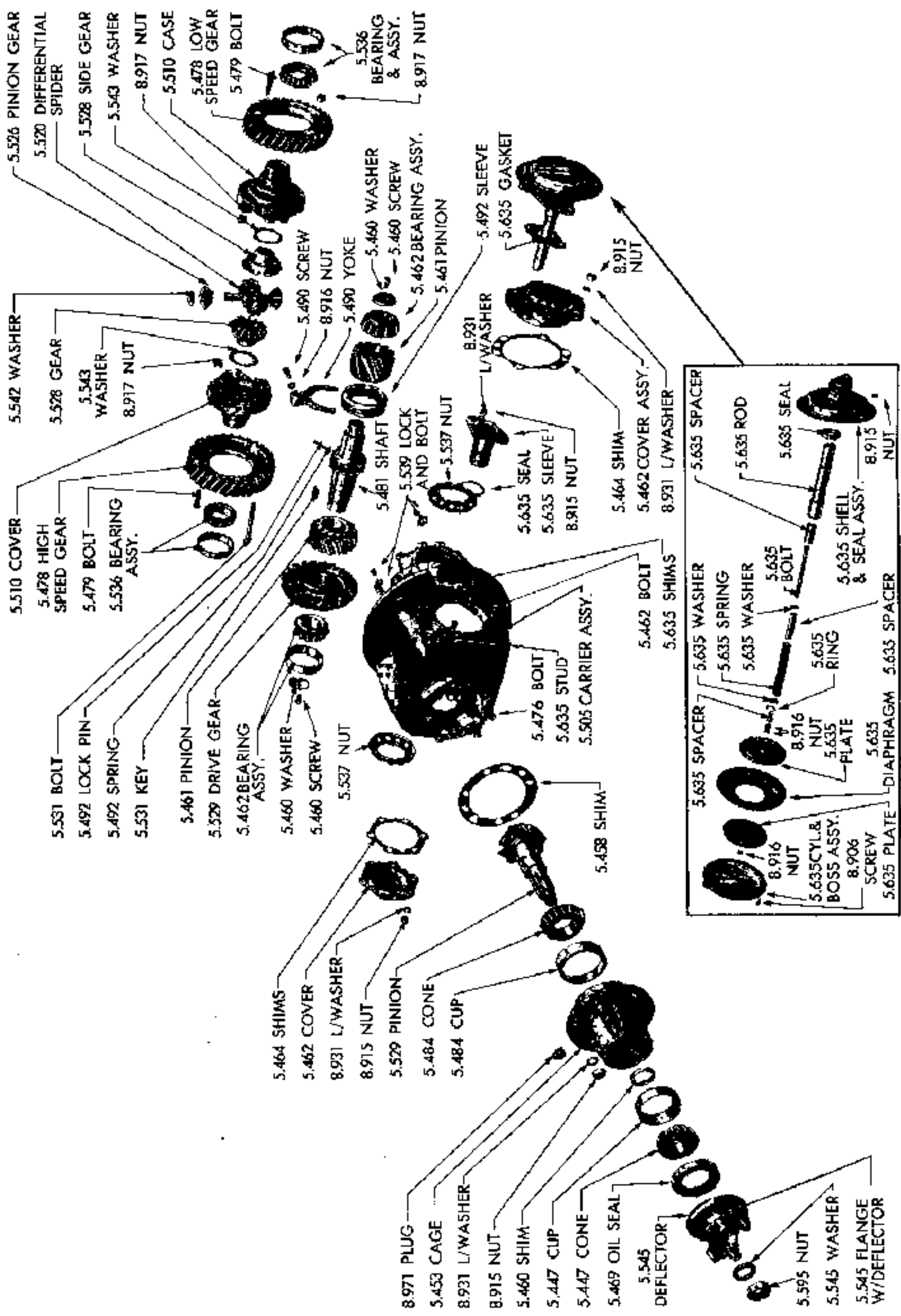


### 3/4 AND 1 TON REAR AXLE



1 1/2 TON REAR AXLE





**TWO-SPEED REAR AXLE, HYPOID—VACUUM SHIFT**



**5.400 PLUG, Axle Filler**

29-54	ALL.....	(1-20 sq. hd.—1 $\frac{3}{8}$ dia. flange).....	344829	1	.12
-------	----------	---	--------	---	-----

**5.401 GASKET, Filler Plug**

29-54	ALL.....	leather (1 I.D. x 1 $\frac{9}{16}$ O.D.).....	344830	1	.04
-------	----------	---	--------	---	-----

**5.403 SEAT—CAP—PLATE, Rear Spring (See group 7.518)**

33-37	CC, DC, EC, FC, GA, GB.....	w/cap (cast 472506).....	473601	2	2.75
34	DA, DB,				
36-46	$\frac{1}{2}$ TON.....	w/cap, L. (cast 373345).....	600178	1	3.12
34	DA, DB,				
36-46	$\frac{1}{2}$ TON.....	w/cap, R. (cast 373346).....	600176	1	3.12
34-35	UTILITY.....	w/cap, L. (cast 373307).....	373315	1	4.72
34-35	UTILITY.....	w/cap, R. (cast 373306).....	373316	1	4.72
36-40	UTIL. (exc. VE, VF, WD).....	w/cap (cast 473621).....	473617	2	8.05
37-40	COMM. (exc. $\frac{1}{2}$ TON).....	w/cap (cast 596951).....	602786	2	4.72
38-39	PASS.....	w/cap (cast 599799).....	599799	2	2.75
39-40	VE, VD, VH, VN, WA, WB, WE, WF, (2-SPD.).....	w/cap (cast 3651357).....	3651524	2	8.23
40-47	PASS.,				
48-54	PASS., $\frac{1}{2}$ TON.....	w/cap (cast 3652183).....	3652182	2	2.75
41-42	AN, BN.....	CAP (cast 3656742).....	3656742	2	2.75
41-46	Y, M, OE, OF, OG, OH, OI, OJ (2-SPEED hvy. duty).....	PLATE, "U" bolt anchor (cast 3652433).....	3652433	2	2.75
41-42	UTILITY,				
46-48	1 $\frac{1}{2}$ TON.....	PLATE, "U" bolt anchor (cast 3681664).....	3681664	2	2.75
46-53	2 TON.....	PLATE, "U" bolt anchor (cast 3681660).....	3681660	2	2.75
49-54	1 $\frac{1}{2}$ TON.....	PLATE, "U" bolt anchor (cast 3686985).....	3686985	2	2.75
54	2 TON (exc. 2-SPD.).....	PLATE, "U" bolt anchor (cast 3707391) (use w/square type housing).....	3707391	2	2.75
54	2-SPD.....	PLATE, "U" bolt anchor (cast 3707390) (use w/square type housing).....	3707390	2	2.75
54	2 TON.....	PLATE, "U" bolt anchor (cast 3707396) (use w/round type housing).....	3707396	2	2.75

**5.404 SEAL—BOLT, Rear Spring Seat**

38-54	PASS.,				
47-54	$\frac{1}{2}$ TON.....	SEAL (rubber 1 I.D. x 1 $\frac{1}{8}$ O.D. x $\frac{1}{16}$ thick)...	597267	4	.12
38-54	PASS.....	BOLT, rear spring seat to axle hsg. ( $\frac{5}{8}$ —18 x 4 $\frac{1}{16}$ ).....	597268	2	.18
47-54	$\frac{1}{2}$ TON.....				

**5.420 SHAFT, Axle (See page 198 for Truck Axle Shaft chart.)**

29	AC.....	(thd'd end—30 $\frac{3}{4}$ O.L.) (stamp'd GM 19)...	355519	2	8.25
29	LQ.....	(thd'd end—31 $\frac{3}{4}$ O.L.) (stamp'd GM 67)...	355867	2	10.78
30-31	AD, AE.....	(thd'd end—30 $\frac{3}{4}$ O.L.) (stamp'd GM 97)...	357497	2	8.25
30	LR.....	(thd'd end—31 $\frac{3}{8}$ O.L.) (stamp'd GM 46)...	357646	2	10.78
30-31	LS, LT.....	(thd'd end—33 $\frac{3}{4}$ O.L.) (stamp'd GM 48)...	359348	2	12.51
31-33	M, N, O.....	(thd'd end—35 O.L.) (stamp'd GM 33)....	370433	2	12.51
32	BA, BB.....	(thd'd end—30 $\frac{3}{4}$ O.L.) (stamp'd GM 56)...	369556†	2	8.25

(NOTE: On jobs w/shaft  $\frac{1}{4}$ -16 thd'd end use 369558 nut, 369559 hub, 369561 retainer.

33-34	CA, CB, DB.....	w/inner brg. race (27 $\frac{1}{8}$ O.L.) (stamp'd GM 52).....	364352	2	9.98
33-35	CC, DC, EC.....	w/inner brg. race (27 $\frac{1}{8}$ O.L.) (stamp'd GM 23).....	364823	2	9.40
34-35	DA, DB, EA, EB, ED.....	w/inner brg. race (28 $\frac{1}{2}$ O.L.) (stamp'd GM 24).....	600524	2	9.98
34-35	P, Q.....	(thd'd end—34 $\frac{1}{8}$ O.L.) (stamp'd GM 02)...	374502	2	13.58
36	FA, FB, FD.....	w/inner brg. race (28 $\frac{1}{2}$ O.L.) (stamp'd GM 12).....	601912	2	9.98
36	FC.....	w/inner brg. race (27 $\frac{1}{8}$ O.L.) (stamp'd GM 11).....	601911	2	9.40
36	R.....	(35 O.L.) (stamp'd 593066).....	593066	2	11.11

37	PASS.....	left (27 $\frac{1}{8}$ O.L.) (stmp'd 602441).....	602441	1	9.40
37	PASS.....	right (28 $\frac{1}{8}$ O.L.) (stmp'd GM 42).....	602442	1	9.40
37-39	COMM.....	(29 $\frac{1}{4}$ O.L.) (stmp'd 602444).....	602444	2	10.78
37-39	UTILITY.....	(36 $\frac{1}{4}$ O.L.) (stmp'd 594318).....	594318	2	11.11
38	PASS.....	left (28 $\frac{5}{8}$ O.L.) (stmp'd 602969).....	602969	1	9.40
38	PASS.....	right (29 $\frac{5}{8}$ O.L.) (stmp'd 602970).....	602970	1	9.40
39-40	PASS.....	left (28 $\frac{5}{8}$ O.L.) (stmp'd 603617).....	603617	1	9.40
39-40	PASS.....	right (29 $\frac{5}{8}$ O.L.) (stmp'd 603618).....	603618	1	9.40
39-41	2-SPEED (Mech. Shift).....	w/tapered stud holes (37 $\frac{1}{2}$ O.L.) (stmp'd 3661899).....	3661899	2	12.51
40-46	COMM. (exc. DR, DS).....	left (28 $\frac{3}{4}$ O.L.) (stmp'd 3652341).....	3652341	1	10.78
40-46	COMM. (exc. DR, DS).....	right (29 $\frac{3}{4}$ O.L.) (stmp'd 3652342).....	3652342	1	10.78
40-42	UTILITY, 46-47 1 $\frac{1}{2}$ TON.....	left (34 $\frac{1}{4}$ O.L.) (stmp'd 3652293).....	3652293*	1	10.78
40-42	UTILITY, 46-47 1 $\frac{1}{2}$ TON.....	right (40 $\frac{5}{8}$ O.L.) (stmp'd 3652294).....	3652294*	1	10.78

\*NOTE: Not used w/splined type shaft and hub.

40-42	UTILITY (Reg. Prod.).....	left (20 splines—34 $\frac{1}{4}$ O.L.—splined hub end) (stmp'd 3685191).....	3685191	1	11.45
46-54	1 $\frac{1}{2}$ TON.....	right (20 splines—40 $\frac{5}{8}$ O.L.—splined hub end) (stmp'd 3685192).....	3685192	1	11.45
40-42	UTILITY (Reg. Prod.).....	w/out tapered stud holes (38 $\frac{1}{2}$ O.L.) (stmp'd 3661899).....	3661899	2	13.25
41-48	PASS.....	left (29 $\frac{5}{8}$ O.L.) (stmp'd 3657313).....	3657313	1	9.95
41-48	PASS.....	right (30 $\frac{5}{8}$ O.L.) (stmp'd 3657314).....	3657314	1	9.95
42-46	M, O (hvy. duty) (exc. 2-SPD.).....	left (16 splines—36 $\frac{1}{2}$ O.L.) (stmp'd 3682461).....	3682461†	1	13.25
46-47	2 TON.....	right (16 splines—40 $\frac{3}{4}$ O.L.) (stmp'd 3682462).....	3682462†	1	13.25

†NOTE: Used in 1946-47 with CONVENTIONAL and 2-SPD. 2 TON Models w/bolted type hub.

42-46	M, O (hvy. duty) (exc. 2-SPD.).....	left (16 splines—36 $\frac{1}{2}$ O.L.) (stmp'd 3702227) (splined hub end).....	3702227	1	12.95
46-51	2 TON.....	right (16 splines—41 O.L.) (stmp'd 3702228) (splined hub end).....	3702228	1	12.95
42-46	M, O (hvy. duty) (exc. 2-SPD.).....	right (16 splines—40 O.L.) (stmp'd 3702230) (splined hub end).....	3702230	1	12.95
46-51	2-SPD. (Vac. Shift).....	left (17 splines—31 $\frac{1}{4}$ O.L.) (stmp'd 3680977).....	3680977	1	11.45
46-54	$\frac{3}{4}$ , 1 TON.....	right (17 splines—37 O.L.) (stmp'd 3680978).....	3680978	1	11.45
47-50	$\frac{1}{2}$ TON.....	left (17 splines—29 $\frac{5}{8}$ O.L.) (stmp'd 3683161).....	3683161	1	11.45
47-50	$\frac{1}{2}$ TON.....	right (17 splines—30 $\frac{5}{8}$ O.L.) (stmp'd 3683162).....	3683162	1	11.45
49-50	PASS.....	left (28 $\frac{1}{2}$ O.L.—3 $\frac{1}{4}$ dia. pilot) (stmp'd 3687767).....	3687767	1	9.95
49-50	PASS.....	right (29 $\frac{1}{2}$ O.L.—3 $\frac{1}{4}$ dia. pilot) (stmp'd 3687768).....	3687768	1	9.95
51-54	PASS.....	left (28 $\frac{1}{2}$ O.L.—2 $\frac{3}{4}$ dia. pilot) (stmp'd 3694755).....	3694755	1	9.95
51-54	PASS.....	right (29 $\frac{1}{2}$ O.L.—2 $\frac{3}{4}$ dia. pilot) (stmp'd 3694756).....	3694756	1	9.95
51-54	$\frac{1}{2}$ TON.....	left (17 splines—29 $\frac{5}{8}$ O.L.) (stmp'd 3694769).....	3694769	1	11.45
51-54	$\frac{1}{2}$ TON.....	right (17 splines—30 $\frac{5}{8}$ O.L.) (stmp'd 3694770).....	3694770	1	11.45
52-53	2 TON.....	left 27 splines—36 $\frac{1}{2}$ O.L.) (stmp'd 3702219).....	3702219	1	13.38
52-53	2 TON (exc. 2-SPD.).....	right (27 splines—41 O.L.) (stmp'd 3702220).....	3702220	1	13.38
52-53	2-SPEED.....	right (27 splines—40 O.L.) (stmp'd 3702222).....	3702222	1	13.38
54	2 TON.....	left (29 splines—36 $\frac{3}{4}$ O.L.) (stmp'd 3702295).....	3702295	1	14.95

54	2 TON (exc. 2-SPD.)	right (29 splines—41 1/4 O.L.) (stmp'd 3702296)	3702296	1	14.95
54	2-SPEED	right (29 splines—40 O.L.) (stmp'd 3702298)	3702298	1	14.95

#### 5.421 NUT, Axle Shaft

32	ALL	(1 1/8—16)	369558	2	.18
34-35	UTILITY	(hexagon slotted 1 1/2—12)	374619	2	.42

#### 5.422 WASHER—SPACER—LOCK—BOLT—STUD—SLEEVE, Axle Shaft

30-35	LS, M, N, O, P, Q	(1 15/16 I.D.)	359386	2	.05
33-36	C, D, E, F (exc. CC, DC, EC, FC),				
37-42	COMM.,				
46-54	1/2 TON	SPACER, narrow (1.1485)	370217	1	.56
33-36	C, D, E, F (exc. CC, DC, EC, FC),				
37-42	COMM.	SPACER, wide (ground 4 sides) (1.875 and 1.1675)	372515	1	.56
46-54	1/2 TON				
33-36	CC, DC, EC, FC	SPACER, wide (ground 4 sides) (1.0195 and 1.0295)	473603	1	.56
37-54	PASS.				
33-36	CC, DC, EC, FC	SPACER, wide (identified by blue paint on rough side) (1.0345)	597254	1	.56
37-54	PASS.				
33-36	CC, DC, EC, FC,				
37-54	PASS.	SPACER, narrow (1.012)	597251	1	.58
34-35	UTILITY	SPACER, bearing (2.9 O.D.)	374608	2	.84
47-53	UTILITY (w/splined hub),				
54	1 1/2 TON	SPACER, thrust (3 13/16 O.D., 1 1/4 wide)	3685197	2	.27
54	2 TON	SPACER, thrust (4 1/2 O.D.)	3703705	2	.35
33-36	CC, DC, EC, FC,				
37-54	PASS.	LOCK (horse shoe)	472613	2	.05
33-36	C, D, E, F (exc. CC, DC, EC, FC),				
37-42	COMM.,				
46-54	1/2 TON	LOCK (horse shoe)	370240	2	.05
37-39	UTILITY	LOCK, bolt (tangs on O.D.)	595647	2	.19
40-47	UTILITY (also 2-SPEED on 1941-46)	LOCK, bolt (tangs on face—for 1/2 bolt)	3653928*	2	.15
36-39	UTILITY	BOLT (3/16—14 x 1 3/8)	595646	16	.06
40-47	UTILITY (also 2-SPEED on 1941-46)	BOLT (1/2—13 x 1 1/2)	3653927*	16	.13
46-54	COMM. (exc. 1/2 TON)	BOLT (hex. hd. 1/2—13 x 1 3/8)	214406	16	.13
39-40	2-SPEED (w/taper hole flange)	STUD, shaft to hub (3/16—14—20 x 2 1/4)	3651377	16	.25
41-46	2-SPEED (w/taper hole flange)	STUD, shaft to hub (3/16—20—1/2—13 x 2 1/4)	609630	18	.25
39-46	2-SPEED (w/taper hole flange)	SLEEVE, shaft stud lock	3651372	16	.16

\*NOTE: Not used w/splined type shaft and hub.

#### 5.423 KEY, Axle Shaft

29-32	AC, AD, AE, BA, BB		341839	2	.27
29-35	UTILITY		345759	2	.49

#### 5.432 HANGER—SUPPORT—BRACKET—BOLT—WASHER, Propeller Shaft Bearing

40	WA, WE	w/bolts, frt. brg. sup't.	604378	1	.95
40	WB, WF	w/bolts, brg. sup't.	604377	1	1.63
40	SBC	w/out bolts, brg. sup't (cast 3654160)	3654160	1	4.57
41-46	YH, MR, OE, OR, DS, PJ, PV	front,			
41-46	YT, MI, OG, OY, PX	inter., w/bolts, brg. sup't.	3657637	1	1.25
41-46	YS, YW, MS, MW, OF, OI, OS, PK, PL, PS, PW	w/bolts, brg. sup't.	3657636	1	1.25
41-46	AL, AM, YV, BL, BM, MV, OI, DR, PR, YT, MT, OG, OY, PX	front, w/bolts, brg. sup't.	3657638	1	1.25
41-42	AN, BN	w/bolts, brg. sup't.	3657635	1	1.25
47-54	COMM., UTIL. (exc. 1/2 TON, QP, RP, SP, TP, UP, VP, S)	front, w/out bolts, bearing sup't.	3688455	1	1.08
47-54	2 TON SBC, TY, UY, VY	inter., w/out bolts, bearing sup't.	3688494	1	1.08
53-54	X	inter., w/out bolts, bearing sup't.	3703584	1	1.08
34-40	COMM., UTIL. (exc. 1/2 TON, VE, VF, WD)	SUPPORT, frt. brg. (cast 373327)	373327	1	3.22
41-46	AL, AM, BL, BM, DR	SUPPORT, frt. brg.	3657613	1	1.98
41-42	UTIL., AN, BN (exc. YU, MU) (inter. on YT, MI)	SUPPORT, frt. brg. (use w/sgl. row bearing)	3657578	1	1.98

41-47	UTIL., AN, BN, DS, ES (exc. WD, YU, MU, OH, PP, QP)	SUPPORT, frt. brg. (use w/dbl. row brg.),			
41-47	YT, MT, OY, OG, PK, QX	inter. brg. (use w/dbl. row brg.)	3678780	1	3.25
47-53	¼ TON	SUPPORT, front brg.	3676238	1	1.98
48-54	1 TON, UTIL (exc. RP, SP, TP, UP, S),				
54	¾ TON	SUPPORT, frt. brg. (use w/dbl. row brg.),			
48-54	2 TON SBC, TY, UY, VY, X	inter. brg. (use w/dbl. row brg.)	3685951	1	1.98
40	KD, KE	BRACKET, front brg. sup't.	3653439	1	.85
32-47	UTILITY (exc. VE, VF, WD)	BOLT, shaft end (hex. hd. ⅝—24 x 1½)	367266	2	(4.405)
34-40	UTIL. (exc. VE, VF, WD) (jobs w/out spacer)				
41-46	COMM., UTILITY (exc. AK, YU, BK, MU, CK, OH, DP, PP)	BOLT, frt. brg. sup't. (rd. hd. ½—13 x 1½)	594071	2	.13
47-54	COMM., UTIL. (exc. ½ TON, QP, RP, SP, TP, UP, VP, S)	BOLT, brg. sup't. hanger (½—13 x 1½)	3656544	4	.06
31-33	M, N, O	BOLT, brg. support hanger (front and inter.) (½—20 x 1½)	3688475	A.R.	.07
		WASHER, shaft end bolt	365688	2	(4.664)

**5.433 SEAL—RETAINER, Front Propeller Shaft Bearing**

34-40	COMM., UTIL. (exc. ½ TON, VE, VF, WD)	bearing support (4¼ O.D.—cork)	373309	1	.20
40	W (exc. WD)	frt. prop. shaft oil (1⅜ I.D. x 1¼ O.D.)	3652271	1	(5.469)
41-46	AN, Y, BN, M, DS, O, P (exc. YU, MU, OH, PP)	frt. and int. prop. shaft bearing (use w/dble. row bearing) (3½ O.D.—rubber)	3680409	1	.14
41-47	¼ TON	frt. prop. shaft bearing	3657616*	1	.88
41-53	¾ TON	frt. prop. shaft bearing	3689176†	1	.74
40	WC (w/prop. shaft brake)	RETAINER, w/seal, front prop. shaft	5237561	1	3.03
48-54	1 TON, UTIL. (exc. RP, SP, TP, UP, VP, S)	RETAINER, front,			
48-54	2 TON SBC, TY, UY, VY, X	inter. prop. shaft brg. grease	3685957	A.R.	.20

\*NOTE: Used w/prop. shafts machined full length and less Brg. Seal Sleeve.

†NOTE: Used w/prop. shafts machined part length and w/Brg. Seal Sleeve pressed on.

**5.435 HOUSING ASSEMBLY, Front Propeller, w/Shaft**

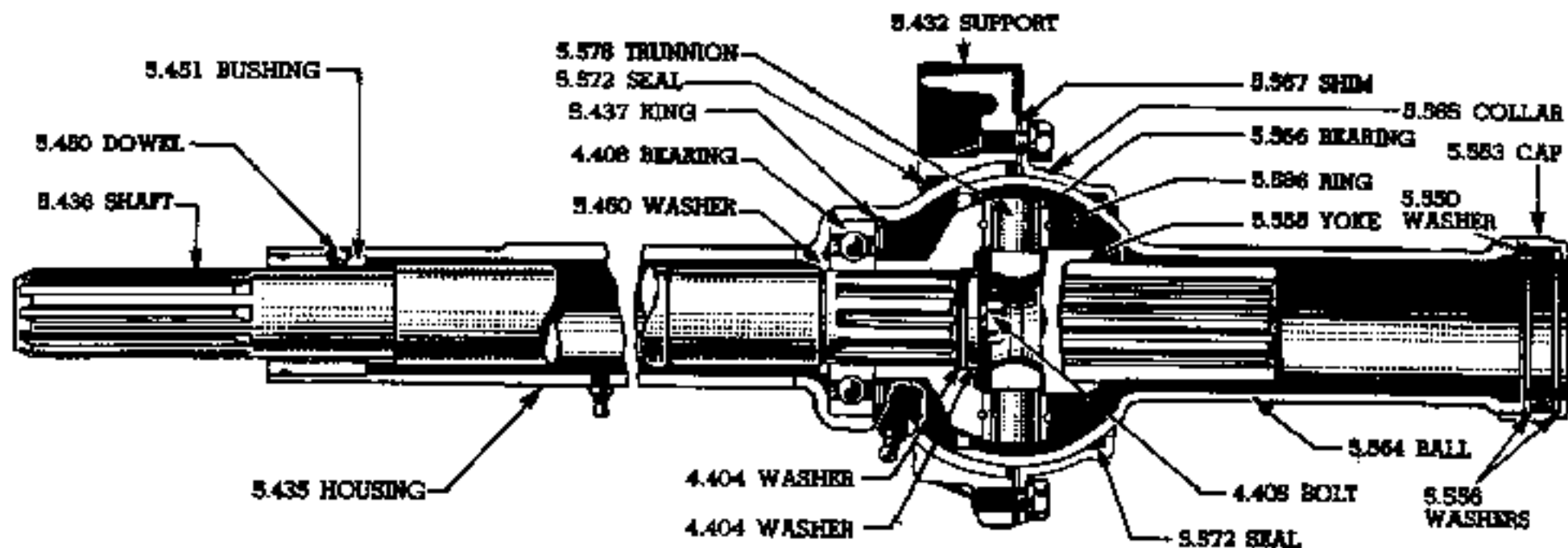
34-36	PC, PD, QC, QD, RC, RD	(length 51¼)	473535	1	32.66
37-38	SA, SB, TA, TB	(length 31¼)	593439	1	27.77
37-38	SC, SD, TC, TD	(length 57¼)	593440	1	32.66
39	VA, VB, VG, VH	(length 33¼)	599131	1	26.94
39	VC, VD, VM, VN	(length 58¼)	599126	1	32.66
40	WA, WE	(length 33¼)	3653408	1	26.38
40	WB, WF	(length 59)	3653409	1	32.66

**HOUSING ASSEMBLY Propeller Shaft**

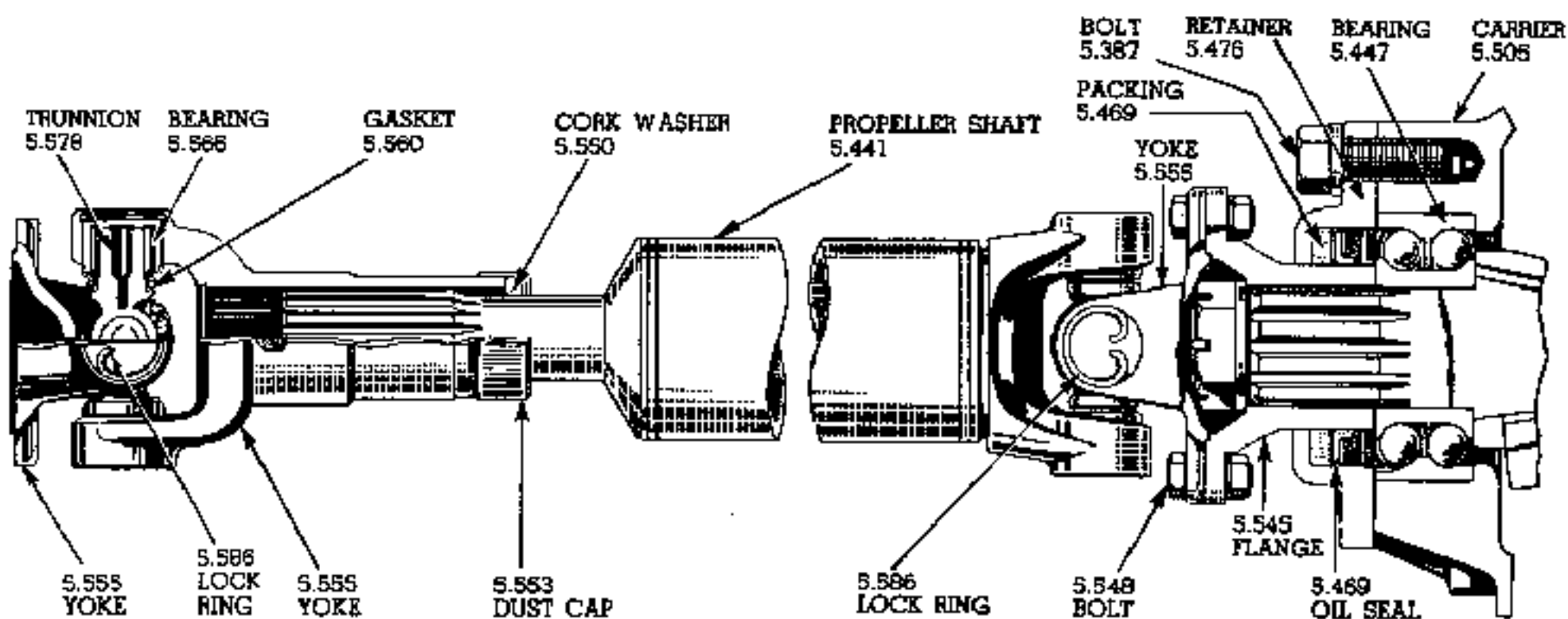
34-36	PA, PB, QA, QB, RA, RB	(length 15¼)	473541	1	6.48
34-36	PC, PD, QC, QD, RC, RD	(length 41¼)	473540	1	14.15
37-38	SA, SB, TA, TB	(length 21¼)	593435	1	7.08
37-38	SC, SD, TC, TD	(length 47¼)	593436	1	14.15
37-40	GD, GE, HD, HE, JE, ID, KD, KE	(length 8¼)	3654056	1	7.02
39	VA, VB, VG, VH	(length 23¼)	599132	1	7.62
39	VC, VD, VM, VN	(length 49)	599127	1	14.15
40	WA, WE	(length 23¼)	3654007	1	7.62
40	WB, WC, WF (front on WC)	(length 48¼)	3654009	1	14.15
40	WC (intermediate)	(length 32¼)	3654331	1	8.17
41-42	AL, AM, BL, BM	(length 18)	3657634*	1	7.62
46	¾ TON	(length 19¼)	3682250	1	7.62
47	¼ TON	(length 33¼)	3676314	1	9.26
48-53	¾ TON	(length 31¼)	3685993	1	9.26

\*NOTE: Identified w/dab of yellow paint and includes 3689176 Seal which must be replaced by 3657616 Seal when using with Prop. Shafts having no Brg. Seal Sleeve. Housings without dab of paint include 3657616 Seal which must be replaced by 3689176 when using w/Prop. Shafts having Brg. Seal Sleeves pressed on.

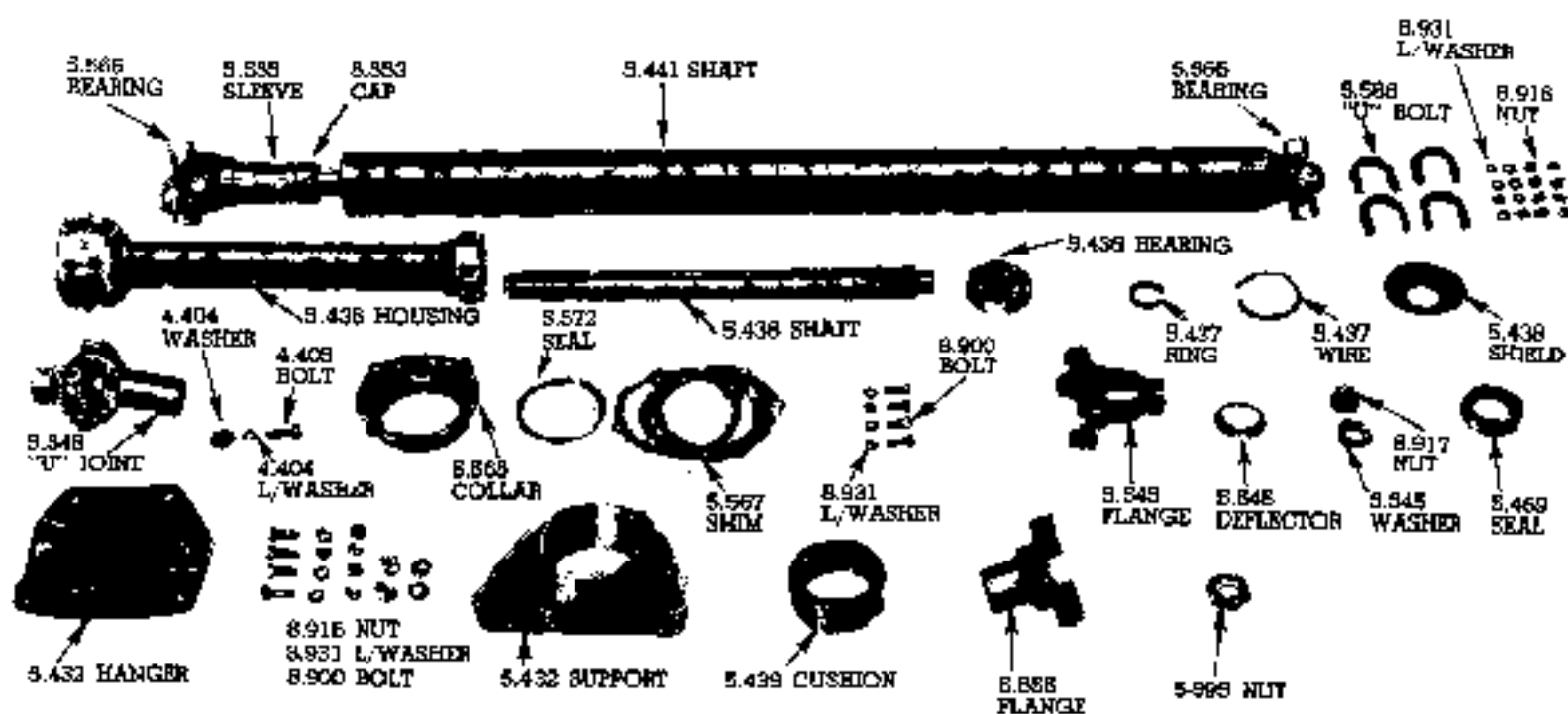




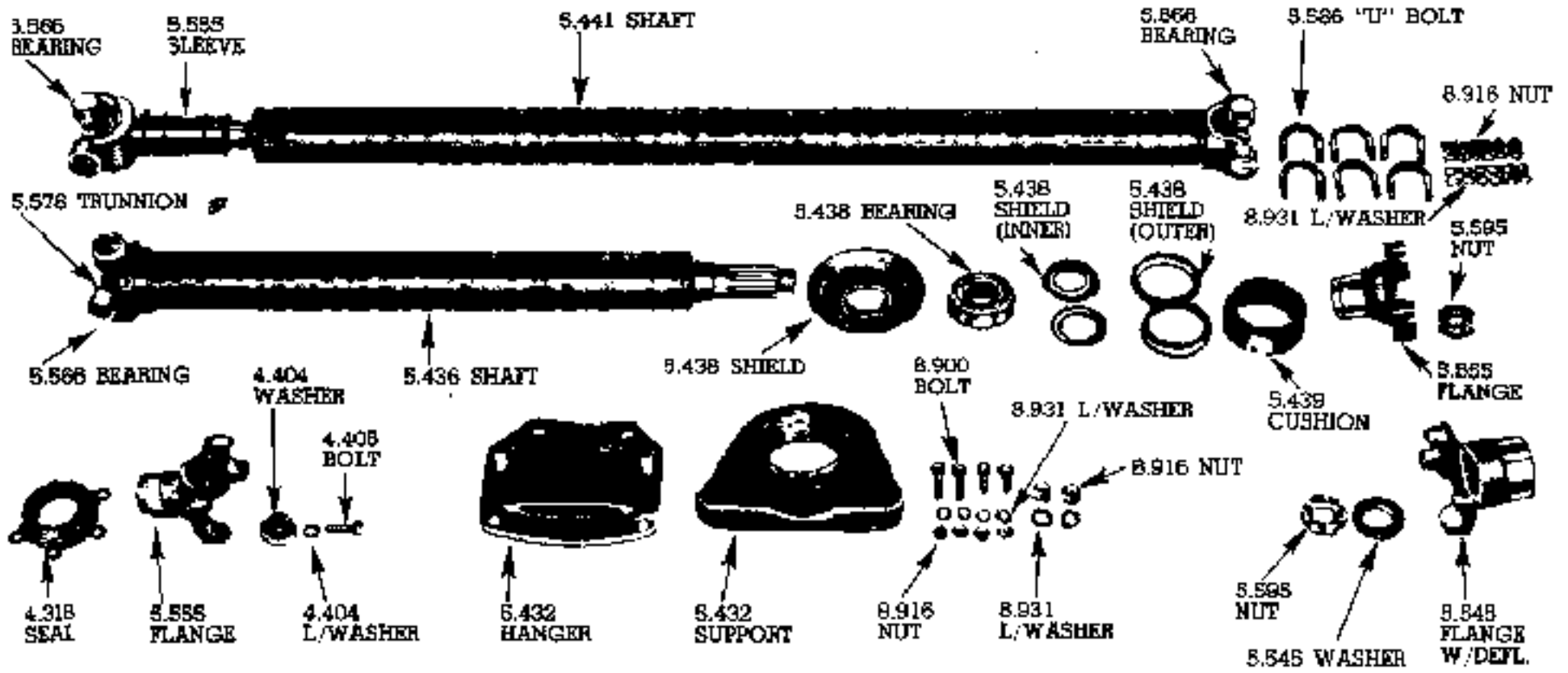
**FRONT PROPELLER SHAFT AND HOUSING—1929-40**



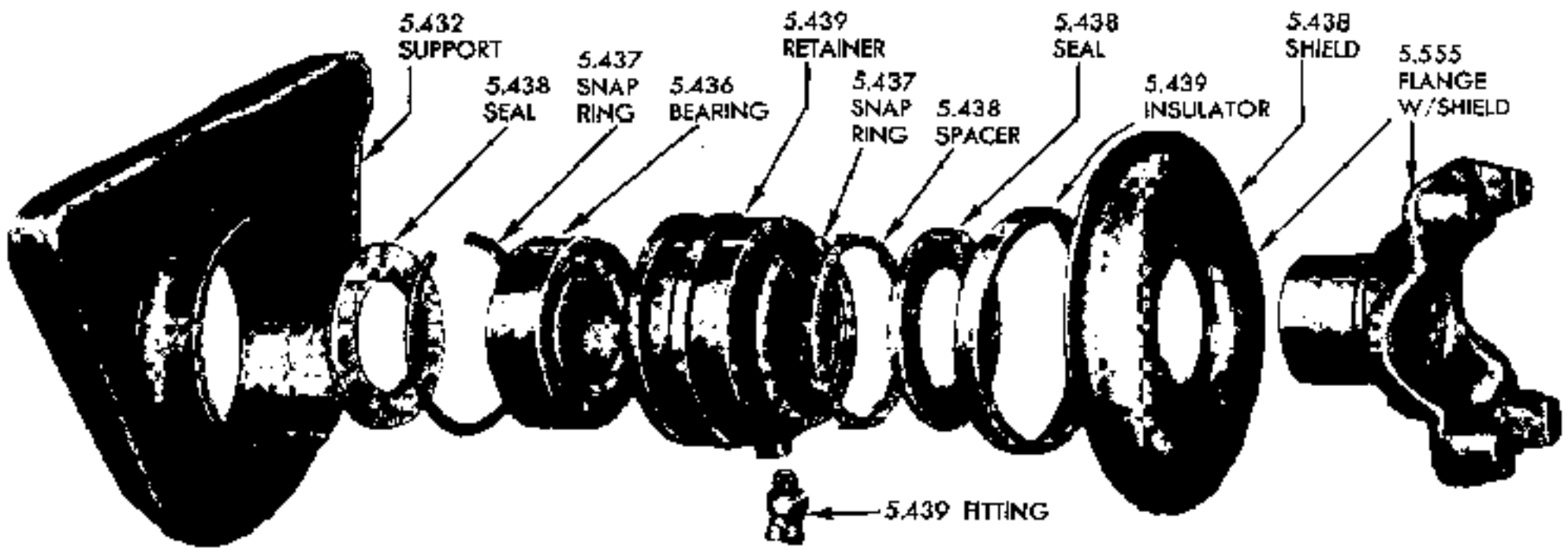
**PROPELLER SHAFT—1939-40 CAB-OVER-ENGINE (108" W.B.)**



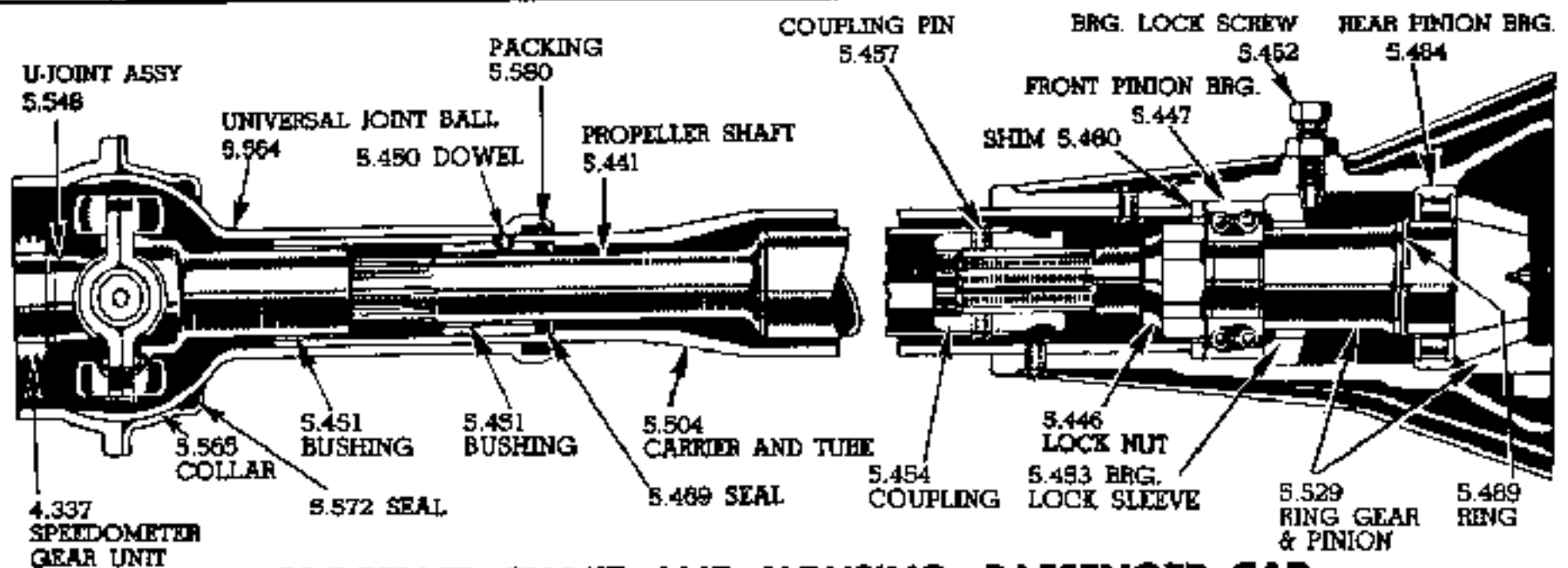
**PROPELLER SHAFT PARTS—1941-46 3/4 TON**



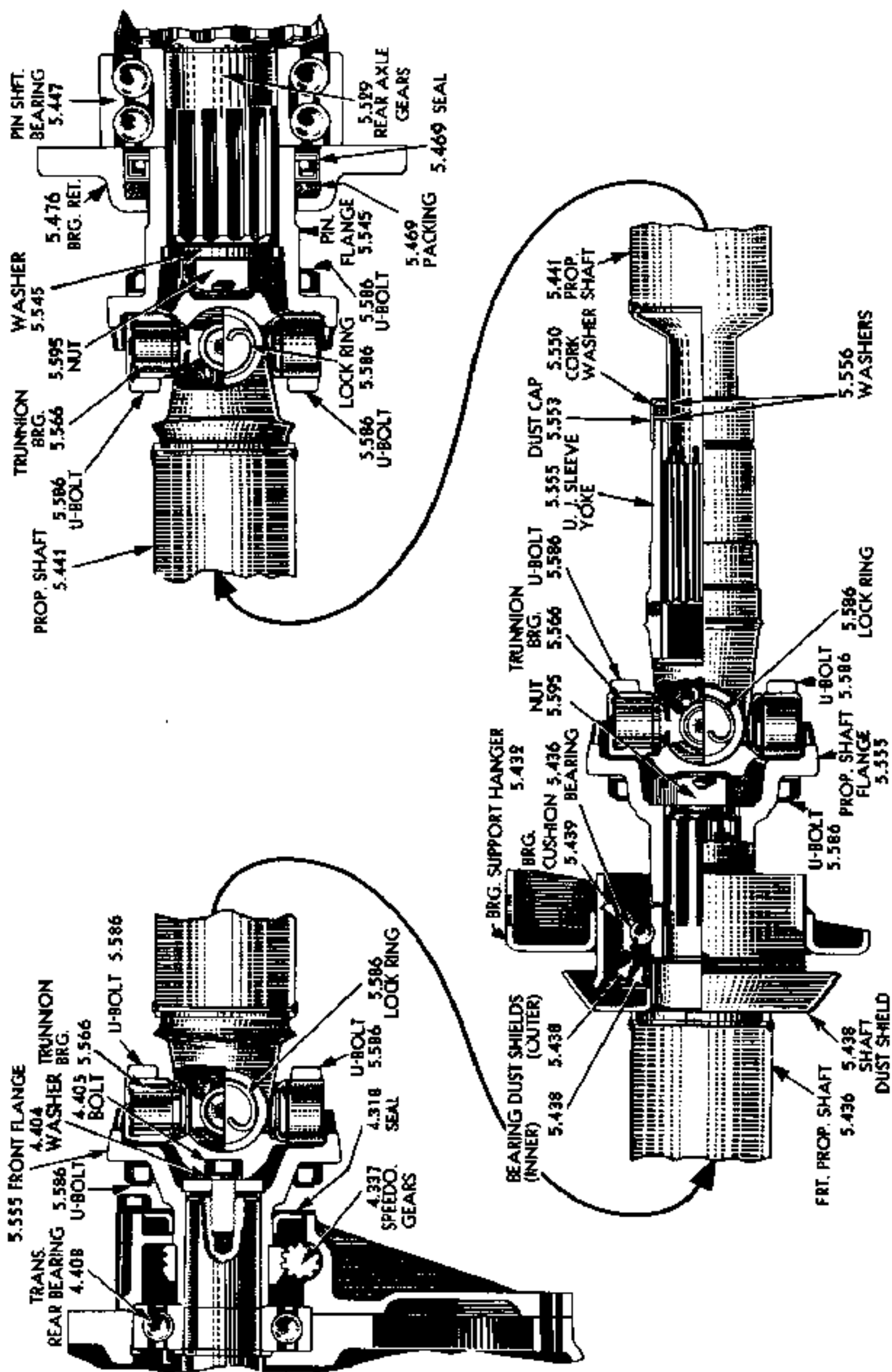
**PROPELLER SHAFT—1941-54 1, 1½, 2 TON AND COE (EXC. 108" W.B.)**



**TRUCK PROPELLER SHAFT DOUBLE ROW BEARING SUPPORT**



**PROPELLER SHAFT AND HOUSING—PASSENGER CAR**



**PROPELLER SHAFTS—1941-54 1, 1 1/2, 2 TON AND COE (EXC. 108" W.B.)**  
 (1941-42 Single Row Bearing Support Illustrated)

**5.436 SHAFT, Propeller, Front**

	Type	O.L.	Splines			
31-33 UTILITY.....	A	24 1/4	10	365010	1	5.95
34-36 PC, PD, QC, QD, RC, RD.....	B	42 1/4	10	373318	1	8.93
34-36 PA, PB, QA, QB, RA, RB.....	B	16 1/2	10	373319	1	5.95
37-38 SA, SB, TA, TB.....	B	23	10	593437	1	8.07
37-38 SC, SD, TC, TD.....	B	48 1/4	10	593438	1	9.95
37-40 GD, GE, HD, HE, ID, JE, KD, KE.....	B	8 3/4	10	596904	1	5.42
39-40 VA, VB, VG, VH, WA, WE.....	B	24 1/2	10	3654083	1	8.07
39-40 VC, VD, VM, VN, WB, WC, WF.....	B	49 3/4	10	3654084	1	9.95
40 SBC (w/Prop. Shaft Brake).....	B (w/joint)	49 3/4	10	3681248	1	31.12
41-42 1/4 TON.....	C	18 7/8	10	3690188*	1	6.65
41-42 1 TON.....	D (w/nut)	28 1/2	10	609026	1	14.35
41-46 YR, YV, MR, MV, OE, OI, OR, DS, PJ, PR, PV.....	D (w/nut)	29 1/2	10	609024	1	15.05
41-46 YS, YT, YW, MS, MT, MW, MY, OS, OW, OY, OF, OG, OI, P (exc. PI, PP, PR, PV).....	D (w/nut)	54 3/4	10	609025	1	17.58
46 1/4 TON.....	C (w/nut)	19 23/32	10	3690189*	1	6.65
47 3/4 TON.....	C (w/nut)	34 43/64	10	3690190*	1	8.12
47 ES, OI, QV.....	D (w/nut)	35	10	3847095	1	15.02
47 QK, QL, QW, QX.....	D (w/nut)	58 7/8	10	3847096	1	17.58
47 COE (w/134" W.B.).....	D (w/nut)	30 13/16	10	3847098	1	14.35
47 COE (w/158" W.B.).....	D (w/nut)	55 1/8	10	3847099	1	16.78
48-53 1/4 TON.....	C (w/nut)	32 13/32	10	3689204*	1	8.55
48-53 ALL (w/137", 179" W.B.).....	D (w/nut)	32 1/8	10	3689205	1	15.02
48-53 UTILITY (exc. 137", 179" W.B., COE).....	D (w/nut)	56 13/16	10	3689206	1	17.57
48-53 COE (w/134" W.B.).....	D (w/nut)	29 7/8	10	3689207	1	15.02
48-53 COE (w/158" W.B.).....	D (w/nut)	53 7/8	10	3689208	1	17.58
54 1/4 TON, 54 1 TON (3-SPD.) (hvy. duty).....	E	33 11/16	16	3707196	1	16.00
54 3/4, 1 TON, N (4-SPD.).....	E	36	16	3707197	1	16.00
54 1 1/2 TON (exc. N).....	E	60	16	3707198	1	18.50
54 T.....	E	34 3/8	16	3707201	1	18.50
54 U.....	E	57	16	3707202	1	21.00
54 V.....	E	36 1/8	16	3707203	1	18.50
54 W.....	E	60 1/8	16	3707204	1	21.00
54 X.....	E	34 3/4	10	3707205	1	18.50
54 2 TON SBC.....	E	56 11/16	10	3707206	1	21.00
54 3/4, 1 TON w/A.T.....	E	27 7/8	16	3704540	1	15.00

\*NOTE: Includes brg. seal sleeve. (See group 5.433 for correct seal).

**SHAFT, Propeller, Intermediate**

NOTE: (front) shown in column at right indicates part is also used as front propeller shaft.

	Type	O.L.	Splines			
40 SBC.....	B	34 1/4	10	3654322	1	9.47
41-46 SBC (w/195" W.B.).....	D (w/nut)	35	10	3847095	1	(front)
47 SBC (w/199" W.B.).....	D (w/nut)	37 7/8	10	3847091	1	14.35
48-53 SBC (w/199" W.B.).....	D (w/nut)	37 7/8	10	3689209	1	15.02
50-53 UTILITY (w/179" W.B.).....	D (w/nut)	43 3/8	10	3696326	1	15.02
52-53 SBC (w/212" W.B.).....	D (w/nut)	50 7/8	10	3701355	1	19.50
54 X.....	E	45 1/2	16	3707207	1	19.00
54 Y.....	E	41 1/2	16	3707208	1	19.00
54 Z.....	E	54 1/2	16	3707209	1	21.00

**BEARING, Propeller Shaft**

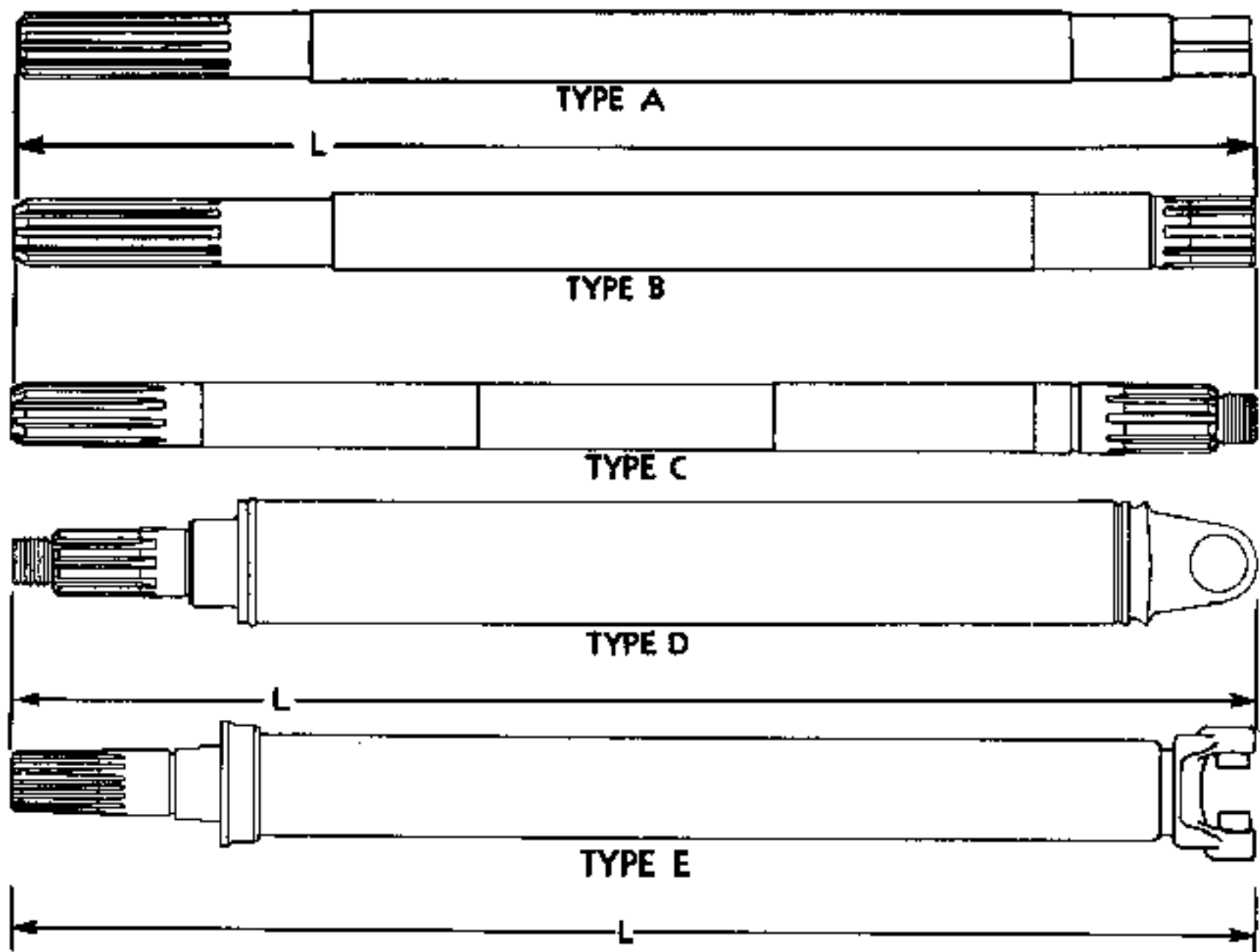
29-40 COMM., UTIL. (exc. 1/2 TON, VE, VF, WD) (ND 3207).....				903207	1	4.25
41-42 COMM., UTIL. (exc. AK, BK, YU, MU), 46-54 3/4, 1 TON (exc. DS, ES), 48-54 UTILITY (exc. RP, SP, TP, UP, VP).....						front,
48-54 2 TON SBC, TY, UY, VY, X.....				954257	1	5.60
41-47 UTIL., AN, BN, DS, ES (exc. YU, MU, OH, PP, QP).....						front,
42-47 MT, OG, PX, QX.....				905207	1	8.25

**KIT, Front and Intermediate Propeller Shaft Bearing Support**

41-47 AN, BN, DS, ES, 41-47 UTIL. (exc. YU, MU, OH, PP, QP).....				609037*	1	20.82
---	--	--	--	---------	---	-------

\*NOTE: Used to convert single row bearing support to double row type.





**5.437 RING--SPRING, Front Propeller Shaft Bearing Lock**

31-40	UTILITY (exc. VE, VI, WD),				
37-53	¾ TON.....	flat wire (3½ O.D.).....	366989	1	.12
41-53	¾ TON.....	snap, front.....	3657611	1	.12
42-47	BN, DS, ES.....	snap, front (used w/double row brg.) (inter.			
42-47	UTIL. (exc. MU, OH, PP, QP).....	on MT, OG, OY, PX, QX).....	3675399	2	.12
41-46	AN, BN, DS.....	SPRING, retainer, front (used with double row			
41-46	UTIL. (exc. YU, YM, OH, PP).....	bearing) (inter. on MT, OY).....	3680410	1	.18

**5.438 SEAL--SHIELD--SPACER, Propeller Shaft Bearing Dust**

41-47	AN, Y, BN, M, DS, O, P, ES, Q (exc. YU, MU, OH, PP, QP).....	brg. dust (jobs w/dbl. row brg.) (1¾ I.D. x 2¾ O.D.).....	3675395	2	.78
41-42	AN, Y, BN, M (exc. YU, MU).....	SHIELD, flange dust (jobs w/sgl. row brg.) (1¾ I.D. x 5 O.D.).....	3657525	1	.57
41-42	AN, Y, BN, M (exc. YU, MU).....	SHIELD, brg. inner dust (jobs w/sgl. row brg.) (1¾ I.D. x 2¾ O.D.).....	3657529	2	.27
41-42	AN, Y, BN, M (exc. YU, MU).....	SHIELD, brg. outer dust (jobs w/sgl. row brg.) (2½ I.D.).....	3657530	2	.45
41-47	AN, Y, BN, M, O, DS, P, ES, Q (exc. YU, MU, OH, PP, QP).....	SHIELD, flange dust (jobs w/dbl. row brg.) (1¾ I.D. x 5½ O.D.).....	3678784	1	.58
41-53	¾ TON.....	SHIELD, brg. dust (1¾ I.D. x 3¼ O.D.).....	3657612	1	.18
54	COMM., UTIL. (exc. 110°, 116° W.B.)...	SHIELD (frt., inter. prop. and rear brg. supt.) (2¼ I.D. x 2¾ O.D.).....	3705198	1	.20
46	PX.....	SPACER, dust seal (intermediate),			
46-47	DS, P, ES, Q (exc. PP, QP).....	dust seal (front).....	3684310	1	.28

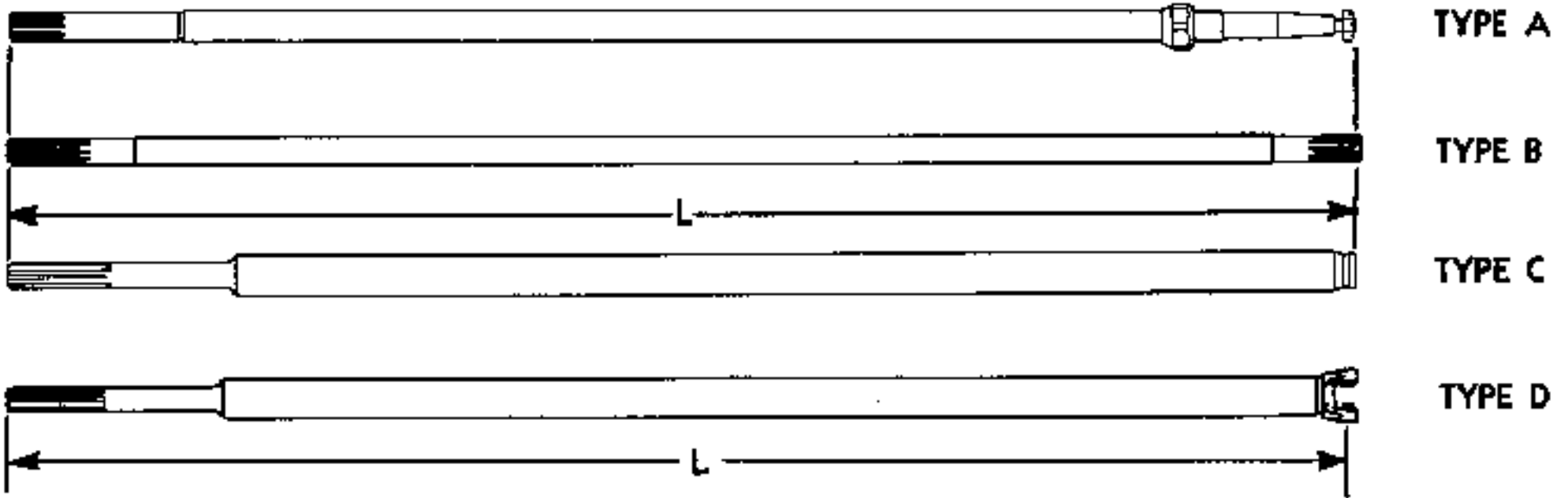
**5.439 RETAINER--INSULATOR--CUSHION--SLINGER--FITTING--WASHER, Propeller Shaft Bearing**

40	WC (w/prop. shaft brake).....	front (1¾ I.D.).....	5237509	1	.22
41-47	1 TON, UTIL. (exc. YU, MU, OH, PP, QP).....	frt. and inter. (used w/dbl. row brg.).....	3682372	1	4.75
41-47	1 TON, UTIL. (exc. YU, MU, OH, PP, QP).....	INSULATOR (3¾ I.D. x 3¼ O.D.).....	3682374*	1	.20
41-53	¾ TON.....	CUSHION, front (rubber-3¼ O.D.).....	3657610	1	.53

41-42	UTIL., AN, BN (exc. YU, MU),					
48-54	1 TON, UTIL. (exc. RP, SP, TP, UP, VP, S),					
54	¾ TON.....	CUSHION, front,				
41-42	YT, MT,					
48-54	2 TON SBC, TY, UY, VY, X.....	inter. (rubber—3 <sup>1</sup> / <sub>8</sub> O.D.).....	3657524	1		.53
48-54	1 TON, UTIL. (exc. RP, SP, TP, UP, VP, S)	SLINGER, front grease,				
48-54	2 TON SBC, TY, UY, VY, X.....	inter. (1 <sup>3</sup> / <sub>4</sub> I.D. x 2 <sup>1</sup> / <sub>2</sub> O.D.).....	2019793	A.R.		.13
41-47	AN, BN, DS, ES.....	FITTING, front lubricating (special 1/8) (used				
41-47	UTIL. (exc. YU, MU, OH, PP, QP).....	with double row bearing).....	3678785	1		.27
34-40	PC, PD, QC, QD, RC, RD, GD, GE, S, HD,					
	HE, T, ID, IE, V, KD, KE, KF, W (exc.	WASHER, bearing (1 <sup>3</sup> / <sub>8</sub> I.D. x 1 <sup>1</sup> / <sub>2</sub> O.D.).....	373308	1		.06
	VE, VF, WD).....					

\*NOTE: Use w/3682372 Retainer.

**5.441 SHAFT, Propeller (Also see Group 5.436)**



		Type	O.L.	Splines			
29	AC.....	A	52 <sup>1</sup> / <sub>2</sub>	10	362128	1	8.67
29	LQ.....	B	56	10	354920	1	8.38
30	AD.....	B	43	10	357396	1	7.85
31	AR.....	B	45	10	365613	1	7.85
31-32	M, N.....	B	64 <sup>1</sup> / <sub>2</sub>	10	367192	1	8.67
32	BA.....	B	39	10	367708	1	7.85
32-33	BB, CB.....	B	43 <sup>1</sup> / <sub>8</sub>	10	367514	1	7.85
33	CA.....	B	40	10	370279	1	7.85
33-35	CC, DC, EC.....	C	47	10	378942	1	7.95
34	DA.....	C	49 <sup>1</sup> / <sub>2</sub>	10	373502	1	8.82
34-36	DB, EA, EB, ED, FA, FB, FD.....	C	52 <sup>1</sup> / <sub>2</sub>	10	373494	1	8.82
34-39	UTIL. (exc. VE, VF).....	B	53 <sup>1</sup> / <sub>4</sub>	10	364480	1	9.10
38	FC.....	C	51 <sup>1</sup> / <sub>2</sub>	10	474910	1	8.82
37-38	COMM.....	C	58 <sup>1</sup> / <sub>2</sub>	10	593208	1	10.23
37-39	PASS.....	C	59 <sup>1</sup> / <sub>2</sub>	10	593036	1	10.23
39	COMM.....	C	60	10	599137	1	10.23
39-40	VE, VF, VW.....	D	52 <sup>1</sup> / <sub>2</sub>	16	3651142	1	18.43
39-40	VF, WD (2-SPEED).....	D	45	16	3651497	1	17.37
39-40	VB, VD, VH, VN, WA, WB, WE, WF (2-SPEED).....	B	46 <sup>3</sup> / <sub>8</sub>	10	3651352	1	8.82
40	PASS.....	C	59 <sup>1</sup> / <sub>8</sub>	17	3652658	1	10.23
40	COMM.....	C	60	17	3652329	1	10.23
40	W (exc. WD).....	B	52 <sup>1</sup> / <sub>4</sub>	10	3652283	1	10.77
41-54	PASS.....	C	63	17	3704406	1	11.35
41-46	½ TON.....	C	61 <sup>1</sup> / <sub>2</sub>	17	3657323	1	11.37
41-42	AL, AM, BL, BM.....	D	48 <sup>19</sup> / <sub>32</sub>	16	605058	1	18.67
41-53	DR, 1 TON, UTILITY (exc. short COE).....	D	48 <sup>23</sup> / <sub>32</sub>	16	3657548	1	16.20
41-53	YU, MU, OH, PP, RP, SP, TP, UP, VP, S.....	D	54 <sup>3</sup> / <sub>4</sub>	16	605409	1	16.57
41-46	YU, MU, OH, PP (2-SPEED) (Mech. Shift).....	D	48 <sup>1</sup> / <sub>2</sub>	16	3657446	1	18.43
41-48	YR, YS, YV, YW, MR, MS, MV, MW, OS, OI, OJ, OE, OF, OG, PR, PS,						
	PV, PW, PX, (2-SPEED) (Mech. Shift).....	D	41 <sup>1</sup> / <sub>8</sub>	16	3657948	1	14.18
45-48	2-SPD. (Vac. Shift) (exc. PP, QP, RP).....	D	41	16	609997†	1	13.53

†NOTE: Use w/10 leaf spring only.

46-53	FP, RP, SP, TP, UP, VP, S (2-SPD.—Vac. Shift)	D	47 $\frac{5}{8}$	16	609999	1	19.45
47	$\frac{1}{2}$ TON	C	65 $\frac{1}{8}$	17	3683172	1	11.37
47-53	$\frac{3}{4}$ TON	D	37 $\frac{1}{8}$	16	3847344	1	15.27
47	QP	D	56 $\frac{3}{4}$	16	3847097	1	16.57
47	QP (2-SPEED)	D	49 $\frac{1}{4}$	16	3847195	1	16.57
47-53	2-SPD. (Vac. Shift) (exc. short COE)	D	41 $\frac{1}{4}$	16	3690259†	1	15.75
48-54	$\frac{1}{2}$ TON (exc. A.T.)	C	63 $\frac{3}{8}$	17	3694764	1	11.37
54	$\frac{3}{4}$ TON	E	36 $\frac{1}{4}$	—	3707210	1	15.25
54	1, 1 $\frac{1}{2}$ TON	E	47 $\frac{7}{8}$	—	3707211	1	16.20
54	S (exc. 2-SPD.)	D	55 $\frac{1}{2}$	16	3707199	1	19.45
54	S (2-SPD.)	D	48	16	3707200	1	18.95
54	2 TON (exc. S, 2-SPD.)	E	47 $\frac{1}{2}$	—	3707212	1	19.45
54	2-SPD. (exc. S)	E	40 $\frac{1}{8}$	—	3707213	1	18.90
54	$\frac{1}{2}$ TON w/A.T.	C	57 $\frac{5}{8}$	17	3707346	1	11.35

†NOTE: 3690259 to be used w/11 leaf spring only.

#### 5.444 GUARD—SUPPORT, Propeller Shaft

41-48	DS, ES, FS, UTILITY,						
49-54	SBC	rear ( $\frac{5}{8}$ —18 x 13 $\frac{3}{8}$ "U" bolt type)			3684176	1	.77
47-54	SBC	front			3684155	1	.66
47-54	SBC (exc. 161" W.B.)	intermediate			3684156	1	.71
41-46	DS, UTILITY (exc. short COE)	SUPPORT, front,					
41-46	DS, UTILITY (exc. MU)	rear,					
41-46	YT, MT, OY, OG, PX	intermediate,					
47-54	SBC	front, rear,					
47-54	QX, RX, SX, TX, UX, VX, VZ, Y, Z	guard, inter. (used w/"U" bolt type guard) ( $2\frac{1}{2}$ dia. holes—4 $\frac{1}{8}$ between ctrs.)			3665128	1	1.28

#### 5.446 NUT—LOCK, Pinion Shaft Bearing

30-42	PASS., COMM. (exc. CC, DC, EC),						
46-54	PASS., $\frac{1}{2}$ TON	(1 $\frac{3}{8}$ —20 thd.—1 thick)			3703782	1	.58
33-35	CC, DC, EC	(1 $\frac{1}{2}$ —20 thd.— $\frac{1}{8}$ thick)			472550	1	.55
33-39	UTIL. (exc. VE, VF)	(1 $\frac{1}{2}$ —16 thd.—1 thick)			370458	1	.58
39-40	VB, VD, VH, VN, WA, WB, WE, WF, (2-SPEED)	(1 $\frac{1}{8}$ —20 thd.— $\frac{3}{8}$ thick)			3651431	2	.55
40	W (exc. WD)	(1 $\frac{1}{2}$ —16 thd.—1 $\frac{1}{4}$ thick)			3652252	1	.78
39-40	VB, VD, VH, VN, WA, WB, WE, WF, (2-SPEED)	LOCK, nut (10 slots)			3651432	1	.13

#### 5.447 BEARINGS, Pinion Shaft Front

29	AC	(ND 5305)			905305	1	7.95
29-32	L, M, N	(ND 5307)			954454	1	11.65
30-36	PASS. COMM. (exc. CC, DC, EC),						
37-39	COMM.	(ND 5206)			954452	1	7.45
33-39	UTILITY	(ND 5309)			954455	1	18.75
33-35	CC, DC, EC	(ND 5113)			954494	1	9.45
37-54	PASS.,						
40-42	COMM.,						
46-54	$\frac{1}{2}$ TON	(ND 5306W X1730A)			954780†	1	10.90
40-54	UTILITY	(ND H-5310A) (dbl. row)			954237	1	27.35
46-54	$\frac{3}{4}$ , 1 TON	(HY A305396) (305396ZD) (w/spacer)			442093*	1	34.15
39-40	VB, VD, VH, VN, WA, WB, WE, WF (2-SPD.)	CONE, bearing inner, w/roller (TIM. 3877)			128257	1	6.46
39-53	2-SPD	CONE, brg. inner, w/roller (TIM. 3875)			147906	1	6.46
54	2-SPD	CONE, brg. inner, w/roller (TIM. HM 801346)			455271	1	6.63
39-53	2-SPD	CUP, bearing outer (TIM. 3820)			128248	1	3.44
54	2-SPD	CUP, brg. outer (TIM. HM 801310)			455272	1	3.48

†NOTE: Must be assembled with loading slot toward pinion gear shoulder.

\*NOTE: Spacer with 442093 cannot be used with any other Bearing.

#### 5.450 DOWEL, Propeller Shaft Housing Bushing

29-40	ALL (exc. VE, VF, WD),						
41-50	PASS., $\frac{1}{2}$ TON	( $\frac{5}{8}$ dia.)			347813	A.R.	.03

#### 5.451 KITS, Propeller Shaft Bushing and Seal

34-39	UTILITY				609931†	1	2.22
37-39	PASS.				609929†	1	2.34

37-39	COMM.		6099328	1	1.96
40-50	PASS. (1st design) (exc. P.G.)	(Slip Fit Bushings)	609930†	1	2.34
40	COMM.				
41-50	½ TON (exc. EP) (1st Design)	(Slip Fit Bushings)	609933†	1	2.34
47	½ TON		3847423†	1	2.34
50	PASS. (2nd Design)	(Press Fit Bushings)	3695678*	1	2.34
50	HP (2nd Design)	(Press Fit Bushings)	3695031*	1	2.34

†NOTE: Consists of 2 bushings, 2 dowel pins, and 1 seal.

§NOTE: Consists of 2 bushings, 2 dowel pins, and 1 packing.

\*NOTE: Consists of 2 bushings and 1 seal.

### BUSHING, Propeller Shaft Housing (torque tube)

29-32	UTILITY	front (1 $\frac{5}{16}$ I.D. x 1 $\frac{1}{2}$ long)	345734	1	.96
31-33	UTILITY	front (1 $\frac{3}{16}$ I.D.—1 inside groove)	367251	1	.96
33-39	UTILITY (exc. VE, VF)	front (1 $\frac{5}{16}$ I.D. x 1 $\frac{1}{2}$ long)	370416	1	.96
34-36	DA, DB, EA, EB, ED, FA, FB, FD	front (1 $\frac{3}{8}$ I.D. x 1 long) (bronze)	373328	1	.56
34-40	UTIL. (exc. VE, VF, WD)	front (1 $\frac{1}{4}$ I.D.—2 inside grooves)	600962	1	.96
36	FC	front (1 $\frac{1}{4}$ I.D. x 1 long) (bronze)	474922	1	.56
37-53	¾ TON, GE, HE, KF	front (1 $\frac{3}{16}$ I.D.—no inside grooves)	596907	1	.96
37-40	PASS., COMM. (exc. KA, KB, KH)				
41-50	½ TON (1st Design)	front (1 $\frac{11}{16}$ I.D. x 1 long) (slip fit)	595007	1	.88
40	W (exc. WD)	front (1 $\frac{3}{8}$ I.D. x 1 $\frac{3}{4}$ long)	3653931	1	.96
40-50	PASS. (1st Design)	front (1 $\frac{5}{16}$ I.D. x 1 $\frac{3}{16}$ long) (slip fit)	3652601	1	.88
50	PASS. (2nd Design)	front (1 $\frac{5}{16}$ I.D. x 1 $\frac{23}{32}$ O.D. x 1 $\frac{3}{16}$ long) (press fit)	3691484	1	.88
50	HP (2nd Design)	front (1 $\frac{11}{16}$ I.D. x 1 $\frac{23}{32}$ O.D. x 1 long) (press fit)	3691490	1	.88
51-54	PASS.	front (1 $\frac{11}{16}$ I.D. x 1 $\frac{5}{4}$ O.D. x 1 $\frac{3}{8}$ long) (press fit)	3694732	1	.88
51-54	½ TON	front (1 $\frac{11}{16}$ I.D. x 1 $\frac{5}{4}$ O.D. x 1 long) (press fit)	3694761	1	.88
29-32	UTILITY	ctr. (1 $\frac{1}{2}$ I.D. x 1 $\frac{1}{4}$ long) (cast 345962)	345962	1	.84
34-40	UTILITY (exc. VE, VF, WD)	ctr. (1 $\frac{3}{8}$ I.D. x 1 $\frac{1}{4}$ long) (cast 373607)	373607	1	.78
30-33	AD, BA, BB, CA, CB	(1 $\frac{1}{2}$ I.D. x 1 $\frac{1}{2}$ long)	373507	1	.88
33-35	CC, DC, EC	(1 I.D. x 1 $\frac{1}{2}$ long)	472734	1	.88
34-36	DA, DB, EA, EB, ED, FA, FB, FD	rear (1 I.D. x 1 $\frac{1}{2}$ long)	376021	1	.88
36	FC	rear (1 I.D. x 1 $\frac{1}{2}$ long)	474909	1	.88
37-39	PASS., COMM.	rear (1 $\frac{1}{2}$ I.D. x 1 $\frac{1}{2}$ O.D.)	595008	1	.96
40	PASS., COMM.				
41-50	PASS., ½ TON (exc. EP) (1st Design)	rear (1 $\frac{1}{16}$ I.D. x 1 $\frac{17}{16}$ long) (slip fit)	3652328	1	.96
47	½ TON	rear (1 $\frac{11}{16}$ I.D. x 1 $\frac{11}{16}$ O.D.)	3686064	1	.96
50	PASS., ½ TON (2nd Design)	rear (1 $\frac{1}{16}$ I.D. x 1 $\frac{11}{16}$ O.D. x 1 $\frac{17}{16}$ long) (press fit)	3691475	1	.96
51-54	PASS., ½ TON	rear (1 $\frac{1}{16}$ I.D. x 1 $\frac{49}{16}$ O.D. x 1 $\frac{17}{16}$ long) (press fit)	3694733	1	.96

### 5.452 SCREW, Pinion Shaft Bearing Lock

29-33	ALL,				
34-42	PASS., COMM.,				
46-54	PASS., ½ TON	(½—20 x 1 $\frac{1}{16}$ cone point)	358073	3	.12

### 5.453 SLEEVE—CAGE, Pinion Shaft Bearing

30-36	PASS., COMM.,				
37-39	COMM.	lock (1 $\frac{3}{4}$ I.D. x 2 $\frac{5}{8}$ O.D.)	374633	1	.71
37-46	PASS.,				
40-46	COMM. (exc. DR, DS),				
47-54	PASS., ½ TON	lock (2 $\frac{3}{8}$ I.D. x 2 $\frac{1}{8}$ O.D.)	3685189	1	.71
39-46	VF, WD, Y, M, O, P (2-SPD.) (Mech. Shift)	CAGE, w/brg. cups (cast 3826)	603877	1	13.32
39-40	VE, VD, VH, VN, WA, WB, WE, WF, 2-SPD.	CAGE, w/brg. cups (cast 626L116)	603878	1	13.32
46-53	2-SPD. (Vac. Shift)	CAGE, w/brg. cups (cast A3826-T-202)	3682494	1	19.75
54	2-SPD.	CAGE, w/brg. cups (cast 3703731)	3703732	1	19.75

### 5.454 COUPLING, Propeller Shaft

30-33	AD, AE, BA, BB, CA, CB		357397	1	1.74
33-40	UTILITY (exc. VE, VF, WD)		370434	1	2.16



**5.457 PIN-SPRING-RIVET, Propeller Shaft Coupling**

34-40	DA, DB, EA, EB, ED, F, G, H, I, KA, KB, KH		372005	1	.06
40	COMM.		3652349	1	.06
41-54	PASS., 1/2 TON		3657332	1	.06
53-54	PASS.	SPRING (1 3/4 free length) (4 1/2 coils)	3703792	1	.12
29-40	UTILITY (exc. VE, VF, WD)	RIVET (2 1/8 x 1/4 dia.)	370460	2	.03

**5.458 SHIM-GASKET, Pinion Shaft Bearing Cage**

39-46	2-SPEED (Mech. Shift)	(.003)	3651515	A.R.	.27
46-54	2-SPEED (Vac. Shift)	(.003)	3682516	A.R.	.27
39-46	2-SPEED (Mech. Shift)	GASKET	3651429	1	.12

**5.459 SPACER, Pinion Shaft Bearing**

39-42	VF, WD, Y, M (2-SPEED)		3651483	1	.92
-------	------------------------	--	---------	---	-----

**5.460 WASHER-SHIM-SCREW, Pinion Shaft Bearing**

29-36	PASS., COMM.				
37-39	COMM.		328198	1	.15
39-40	VB, VD, VH, VN, WA, WB, WE, WF (2-SPD.)	thrust	3651430	1	.12
46-54	2-SPEED (Vac. Shift)		690555	2	.32
29-36	PASS., COMM.				
37-39	COMM.	SHIM (.012)	372359	A.R.	.10
29-39	AC, AD, CA, CB, CC, DA, DB, DC, EA, EB, EC, ED, FA, FB, FC, FD, GC, GD, GE, HC, HD, HE, IC, ID, JE	SHIM (.018)	372361	A.R.	.10
33-36	PASS., COMM. (exc. CC)				
37-39	COMM.	SHIM (.015)	372360	A.R.	.10
37-42	PASS., COMM.				
46-54	PASS., 1/2 TON	SHIM (.012)	3657740	A.R.	.10
37-42	PASS., COMM.				
46-54	PASS., 1/2 TON	SHIM (.015)	3657741	A.R.	.10
37-42	PASS., COMM.				
46-54	PASS., 1/2 TON	SHIM (.018)	3657742	A.R.	.10
39-42	PASS., COMM.				
46-54	PASS., 1/2 TON	SHIM (.021)	3657743	A.R.	.10
39-42	VF, WD, Y, M (2-SPEED)	SHIM (.021)	3651736	A.R.	.18
39-42	VF, WD, Y, M (2-SPEED)	SHIM (.024)	3651733	A.R.	.18
39-42	VF, WD, Y, M (2-SPEED)	SHIM (.030)	3651734	A.R.	.18
39-42	VF, WD, Y, M (2-SPEED)	SHIM (.034)	3651735	A.R.	.18
46-54	3/4, 1 TON	SHIM (.012)	3681190	A.R.	.13
46-54	3/4, 1 TON	SHIM (.015)	3681191	A.R.	.13
46-54	3/4, 1 TON	SHIM (.018)	3681192	A.R.	.13
46-54	3/4, 1 TON	SHIM (.021)	3681193	A.R.	.13
46	2-SPD. (Mech. Shift)	SHIM (.203)	3847431	A.R.	.90
46	2-SPD. (Mech. Shift)	SHIM (.205)	3847432	A.R.	.90
46	2-SPD. (Mech. Shift)	SHIM (.209)	3847433	A.R.	.90
46	2-SPD. (Mech. Shift)	SHIM (.213)	3847434	A.R.	.90
46	2-SPD. (Mech. Shift)	SHIM (.217)	3847435	A.R.	.90
46	2-SPD. (Mech. Shift)	SHIM (.221)	3847436	A.R.	.90
46	2-SPD. (Mech. Shift)	SHIM (.223)	3847437	A.R.	.90
46-53	2-SPD. (Vac. Shift)	SHIM (.157)	3847424	A.R.	1.22
48-53	2-SPD. (Vac. Shift)	SHIM (.159)	3847425	A.R.	1.22
46-53	2-SPD. (Vac. Shift)	SHIM (.163)	3847426	A.R.	1.22
46-53	2-SPD. (Vac. Shift)	SHIM (.167)	3847427	A.R.	1.22
46-53	2-SPD. (Vac. Shift)	SHIM (.171)	3847428	A.R.	1.22
46-53	2-SPD. (Vac. Shift)	SHIM (.175)	3847429	A.R.	1.22
46-53	2-SPD. (Vac. Shift)	SHIM (.177)	3847430	A.R.	1.22
54	2-SPD. (Vac. Shift)	SHIM (.188)	3707323	A.R.	1.25
54	2-SPD. (Vac. Shift)	SHIM (.190)	3707324	A.R.	1.25
54	2-SPD. (Vac. Shift)	SHIM (.194)	3707325	A.R.	1.25
54	2-SPD. (Vac. Shift)	SHIM (.198)	3707326	A.R.	1.25
54	2-SPD. (Vac. Shift)	SHIM (.202)	3707327	A.R.	1.25
54	2-SPD. (Vac. Shift)	SHIM (.206)	3707328	A.R.	1.25
54	2-SPD. (Vac. Shift)	SHIM (.208)	3707329	A.R.	1.25
46-54	2-SPD. (Vac. Shift)	SCREW, brg. cap	680698	4	.12

### 5.461 PINION, Double Reduction

39-42	2-SPEED	low speed (13 T) (stamped 3651416).....	3651416	1	20.02
39-42	2-SPEED	high speed (16 T) (stamped 3651419)....	3651419	1	20.02
46	2-SPD. (Mech. Shift)	low speed (11 T) (stamped 3891-J-608) (also part of GEAR UNIT 3847024)....	2205027	1	17.14
46	2-SPD. (Mech. Shift)	high speed (13 T) (stamped 3891-F-604) (also part of GEAR UNIT 3847040)....	2205028	1	17.14
46-54	2-SPD. (Vac. Shift)	high spd. (15T stamped 3891-L-636).....	3682538	1	21.75
46-54	2-SPD. (Vac. Shift)	low spd. (11T stamped 3891-K-635).....	3682539	1	21.75

### 5.462 BEARING—COVER, Double Reduction Pinion

39-46	2-SPEED (Mech. Shift)	BEARING CONE ASSY., left (TIM. 59201)....	179339	1	9.98
46-54	2-SPEED (Vac. Shift)	BEARING CONE ASSY., left (TIM. 59152)....	436041	1	9.98
39-46	2-SPEED (Mech. Shift)	COVER ASSY., left, with bearing outer races stmp'd. L84).....	603809	1	8.49
39-46	2-SPEED (Mech. Shift)	COVER, right (cast 3866S71).....	3651438	1	1.51
46-54	2-SPEED (Vac. Shift)	COVER and CUP ASSY. (cast 3838-J-114)....	3682496	1	8.49
46-54	2-SPEED (Vac. Shift)	COVER, right.....	3686574	1	1.69
39-54	2-SPEED	RACE, outer (TIM. 59412).....	173105	2	5.85
39-54	2-SPEED	RACE, inner w/roller, right (TIM. 59200)....	173106	1	8.35
39-46	2-SPEED (Mech. Shift)	STUD, cover to diff. carrier (1/2-13-20 x 2 3/8)	3651511	3	.18
39-54	2-SPEED	BOLT, cover to diff. carrier (1/2-13-20 x 1 3/8)	214406	A.R.	(5.422)

### 5.463 GASKET, Double Reduction Pinion Bearing Cover

39-46	2-SPEED (Mech. Shift)	left.....	3651439	1	.12
39-46	2-SPEED (Mech. Shift)	right.....	3651440	1	.12

### 5.464 SHIM, Double Reduction Pinion Bearing Cover

39-46	2-SPEED (Mech. Shift)	left (.003) (4 3/8 I.D.).....	3651545	A.R.	.28
39-46	2-SPEED (Mech. Shift)	right (.003) (4 3/8 I.D.).....	3651546	A.R.	.28
39-46	2-SPEED (Mech. Shift)	left (.005) (4 3/8 I.D.).....	3651549	A.R.	.28
39-46	2-SPEED (Mech. Shift)	right (.005) (4 3/8 I.D.).....	3651550	A.R.	.28
39-46	2-SPEED (Mech. Shift)	left (.030) (4 3/8 I.D.).....	3651547	A.R.	.32
39-46	2-SPEED (Mech. Shift)	right (.030) (4 3/8 I.D.).....	3651548	A.R.	.32
40-46	2-SPEED (Mech. Shift)	left (.010) (4 3/8 I.D.).....	2112111	A.R.	.27
40-46	2-SPEED (Mech. Shift)	right (.010) (4 3/8 I.D.).....	2112106	A.R.	.27
46-54	2-SPEED (Vac. Shift)	left (.003) (4 13/16 I.D.).....	3682499	A.R.	.28
46-54	2-SPEED (Vac. Shift)	right (.003) (4 13/16 I.D.).....	3682500	A.R.	.28

### 5.465 RETAINER, Pinion Flange Packing

34-38	DA, DB, EA, EB, ED, FA, FB, FD	packing (1 1/8 I.D. x 1.458 O.D.).....	376023	1	.06
36	FC	packing (1 1/8 I.D. x 1.379 O.D.).....	474919	1	.06
37-39	COMM.	packing (1 1/8 I.D. x 1.683 O.D.).....	595011	1	.06
40-42	COMM.,				
46-54	1/2 TON	front brg. oil (2 I.D. x 3 O.D.).....	3653622	1	.13

### 5.466 PACKING—SEAL, Propeller and Pinion

33-35	CC, DC, EC	(cork—1 3/8 I.D. x 1 3/8 O.D.).....	472545	1	.07
34-36	DA, DB, EA, EB, FA, FB, FD	(cork—1 I.D. x 1 1/8 O.D.).....	376024	1	.07
36	FC	(cork—1 3/8 I.D. x 1 3/8 O.D.).....	474921	1	.07
37-39	COMM.	(cork—1 I.D. x 1 1/8 O.D.).....	595010	4	.07
40-42	WD, Y, M,				
46-54	COMM., UTIL. (exc. 1/2 TON)	brg. retainer (felt 2 3/8 I.D. x 3 1/2 O.D.)..	3653617	1	.24
33-39	UTILITY (exc. VE, VF)	SEAL, oil torque tube (1 3/8 I.D. x 1 3/4 O.D.)...	3652271	1	.68
37-50	PASS.,				
40	COMM.,				
41-50	1/2 TON (exc. EP)	SEAL, oil, torque tube (1 1/2 I.D. x 1 11/16 O.D.)..	3691457	1	.75
39-40	VF, WD (2-SPD.),				
41-54	2-SPD.	SEAL, oil, pinion flange (2 1/4 I.D.).....	3681493	1	2.56
40-42	WD, Y, M,				
46-54	COMM., UTIL. (exc. 1/2 TON)	SEAL, oil, pinion flange (2 19/32 I.D.).....	3653618	1	1.55
41-42	COMM. (exc. 1/2 TON)	SEAL, oil, pinion flange (1 3/8 I.D.).....	3663186	1	(5.822)
40	W (exc. WD)	SEAL, oil, torque tube (1 3/8 I.D. x 2 O.D.).....	3653605	1	.86
47	1/2 TON	SEAL, oil, torque tube (1 3/8 I.D.).....	3686049	1	.74
51-54	PASS., 1/2 TON	SEAL, oil, torque tube (1 1/8 I.D. x 1 3/8 O.D.)..	3694736	1	.75

**5.476 RETAINER—BOLT—GASKET, Pinion Bearing and Oil Seal**

40	WD,				
41-54	UTILITY.....	(cast 3653616).....	3653616	1	1.58
46	3/4, 1 TON (1st design).....	(cast 3682108).....	3682108	1	1.58
46-54	3/4, 1 TON (2nd design).....	(cast 3682199).....	3682199	1	1.58
39-54	2-SPD.....	BOLT, brg. case to diff. carr. (3/16—12 x 1 1/2).....	444470	6	.22
41-54	UTILITY.....	BOLT, retainer (5/8—11 x 1 3/4).....	370457	6	(5.387)
46-54	3/4, 1 TON.....	BOLT, retainer (1/2—13 x 1 13/16).....	3665637	5	.18
40-54	UTILITY.....	GASKET, retainer (paper).....	3652257	1	(5.508)
46-54	3/4, 1 TON.....	GASKET, retainer.....	3682147	1	(5.508)

**5.478 GEAR UNIT, Double Reduction, w/Pinion**

39-46	2-SPD. (Mech. Shift).....	low speed double reduction (37T-11T) (stamped 3891-J-608 and 3892-H-788)	3847024	1	53.11
39-46	2-SPD. (Mech. Shift).....	high spd. dbl. reduction (33T-13T) (stamped 3892-Y-831 and 3891-F-604)	3847040	1	49.91
46-54	2-SPD. (Vac. Shift).....	low speed double reduction (31T-11T) (stamped 3891-K-835 and 3892-B-886)	3847053	1	56.50
46-54	2-SPD. (Vac. Shift).....	high speed double reduction (32T-15T) (stamped 3892-C-887 and 3891-L-636)	3847052	1	56.50

**5.479 BOLT, Double Reduction Gear**

39-46	2-SPD. (Mech. Shift).....	(spec. hex. hd. 1/2—20 x 1 1/4 drilled).....	608718	12	.25
46-54	2-SPD. (Vac. Shift).....	(spec. hex. hd. 3/4—18 x 2 1/8 drilled).....	3682519	8	.22

**5.481 SHAFT—NUT—LOCK—RING—WASHER—SCREW, Double Reduction Pinion**

39-46	2-SPD. (Mech. Shift).....		603777	1	26.89
46-54	2-SPD. (Vac. Shift).....	(14T—10 3/4 long).....	3682536	1	26.65
39-46	2-SPD. (Mech. Shift).....	NUT, pinion bearing adjuster, left.....	3651435	1	2.48
39-46	2-SPD. (Mech. Shift).....	NUT, pinion bearing adjuster, right.....	3651436	1	2.48
39-46	2-SPD. (Mech. Shift).....	LOCK, adjuster nut.....	3651434	2	.12
39-42	2-SPD. (Mech. Shift),				
46	O (2-SPD.) (Mech. Shift).....	RING, pinion shaft snap.....	3651441	1	.71
46	P (2-SPD.) (Mech. Shift).....	RING, pinion shaft snap.....	3682149	1	.71
46-54	2-SPD. (Vac. Shift).....	WASHER, pinion bearing.....	690555	2	(5.460)
46-54	2-SPD. (Vac. Shift).....	SCREW, pinion bearing cap.....	680698	4	(5.460)

**5.484 BEARING, Drive Shaft Pinion—Rear**

29-32	L, M, N.....	(ND 3407).....	803407	1	8.70
33-35	ALL (exc. CC, DC, EC, O, P, Q).....	(ND 1105).....	901105	1	7.35
33-39	UTILITY.....	(ND 1305).....	954417	1	4.50
34-36	DC, EC, FC.....	(Hyatt OH 1504).....	110320	1	5.65
35-42	PASS., COMM., (exc. EC, FC),				
46-54	PASS., 1/2 TON.....	(Hyatt OR 1506).....	125630	1	6.40
39	VB, VD, VH (2nd design).....	(Hyatt U 1305) (Hy 1305 TA).....	145443	1	8.00
40-54	UTILITY.....	(Hyatt U 1306) (Hy 1306 TA).....	144553	1	8.80
46-54	3/4, 1 TON.....	(Hyatt U 5205) (Hy 5205 T).....	189436	1	8.80
39-46	2-SPD. (Mech Shift).....	CONE ASSY., roller bearing (TIM. 455).....	115257	1	7.98
46-53	2-SPD. (Vac. Shift).....	CONE, w/roller, brg. inner (TIM. 49585).....	189638	1	8.30
54	2-SPD. (Vac. Shift).....	CONE, w/roller, brg. inner (TIM. HM 807046).....	454020	1	9.80
39-46	2-SPD. (Mech. Shift).....	CUP, bearing (TIM. X 453X).....	111335	1	5.56
46-53	2 SPD. (Vac. Shift).....	CUP, bearing outer (TIM. M 49520).....	189637	1	5.92
54	2-SPD. (Vac. Shift).....	CUP, brg. outer (TIM. HM 807010).....	451981	1	6.20

**5.489 RING, Pinion Shaft Rear Bearing Lock**

33-39	UTILITY,				
46-54	3/4, 1 TON.....	(3/8 I.D. x 3/64 wire diameter).....	370464	1	.04
34-36	DC, EC, FC.....		373474	1	.06
35-42	PASS., COMM. (exc. EC, FC),				
46-54	PASS., 1/2 TON.....	(1 1/16 I.D. x 1/8 wire diameter).....	377722	1	.06
40-54	UTILITY.....	front and rear.....	3652256	1	.03

**5.490 YOKE—BUSHING—SEAL—PIN—LOCK—SCREW, Double Reduction Shifter**

39-46	2-SPEED (Mech. Shift).....	(5/8—18) (distance between fingers 4 3/8).....	603778	1	8.32
46-54	2-SPEED (Vac. Shift).....		2212947	1	4.17
39-46	2-SPEED (Mech. Shift).....	BUSHING, yoke.....	3651448	1	1.86

39-46	2-SPEED (Mech. Shift)	SEAL, yoke	3681480	1	.06
39-46	2-SPEED (Mech. Shift)	PIN, yoke	3651449	2	.91
40-46	2-SPEED (Mech. Shift)	LOCK, shift fork bushing	3681184	1	.32
46-54	2-SPEED (Vac. Shift)	SCREW, yoke ( $\frac{3}{8}$ -20 x $1\frac{1}{2}$ )	2212950	1	.21

#### 5.491 LEVER—PIN—SPRING, Double Reduction Shifter

39-46	2-SPEED (Mech. Shift)	(stamped 2847-J-270)	3651443	1	3.72
39-46	2-SPEED (Mech. Shift)	PIN, lever stop	2209823	2	.32
39-46	2-SPEED (Mech. Shift)	PIN, lever lock	3658628	1	.32
39-46	2-SPEED (Mech. Shift)	SPRING, lock pin	3658629	1	.12

#### 5.492 SLEEVE—SPRING—BALL—PIN, Double Reduction Shifter

39-46	2-SPEED (Mech. Shift)		3651442	1	10.74
46-54	2-SPEED (Vac. Shift)		3682528	1	10.74
39-54	2-SPEED	SPRING, sleeve lock	2169421	3	.06
39-46	2-SPEED (Mech. Shift)	BALL, sleeve lock	147489	3	(8.899)
42-54	2-SPEED	PIN, sleeve lock	2169420	3	.16

#### 5.504 CARRIER ASSEMBLY, Differential, w/Propeller Shaft Tube

34-35	DC, EC	(stamp'd. 50)	601750	1	23.42
35-36	EA, EB, ED, FA, FB, FD	(stamp'd. 77)	601277*	1	25.03
36	FC	(stamp'd. 473644)	602031	1	25.03
37-38	COMM.	(cast 377707) (tube $55\frac{3}{4}$ long)	602447	1	25.03
37-40	PASS.	(cast 593021) (tube $56\frac{3}{4}$ long w/spring anchor welded to tube)	604381	1	25.03
39	COMM.	(cast 377707) (tube $57\frac{1}{4}$ long)	603459	1	25.03
40	COMM.	(cast 3652330)	604382	1	25.03
41-53	PASS.	(cast 3698950) (tube $59\frac{1}{2}$ long to carr.)	3698948	1	25.03
41-46	$\frac{1}{2}$ TON	(cast 3657339) (tube $58\frac{1}{2}$ long to carr.)	605320	1	25.03
47	$\frac{1}{2}$ TON	(cast 3657339) (tube $62\frac{1}{2}$ long to carr.)	3683183	1	25.03
48-54	$\frac{1}{2}$ TON	(cast 3698954) (w/adjusting nuts) (tube $60\frac{1}{8}$ long to carrier)	3710403†	1	26.75
54	PASS.	(yellow paint on torque tube) (w/adj. nuts)	3710402	1	26.75
54	$\frac{1}{2}$ TON w/A.T.	(cast 3698954) (w/adj. nuts)	3710838	1	25.00

\*NOTE: Marked "H" on front side of CARRIER. For use with HYATT REAR BEARING No. C-1506, Part No. 125630.

†NOTE: On models prior to 1951 it is necessary to use 3694761 front torque tube, 3694733 rear bushings and 3694736 seal Assy.

#### TUBE, Propeller Shaft, w/Bushing

34-39	P, Q, R, S, T, V (exc. VE, VF)	( $55\frac{3}{8}$ long, tube end 1.973 O.D.)	598628	1	26.94
39	VB, VD, VH, VN (2-SPEED)	( $48\frac{19}{32}$ long, tube end 1.973 O.D.)	3651385	1	28.31
40	W (exc. WD)	( $55\frac{3}{4}$ long, tube end 2.298 O.D.)	3653934	1	26.94
40	WA, WB, WE, WF (2-SPEED)	( $48\frac{19}{32}$ long, tube end 2.298 O.D.)	3653935	1	29.94

#### 5.506 CARRIER ASSEMBLY, Differential, w/Cap

33-39	UTILITY	(cast 370424)	364341	1	20.31
39-46	2-SPEED (Mech. Shift)	(cast 5800Y28S carr., 3812J62 cap)	607338	1	51.71
40-42	UTILITY (exc. hvy. duty)				
46-54	$1\frac{1}{2}$ TON (exc. hvy. duty)	(cast 3652280)	604472	1	24.14
41-42	COMM. (exc. $\frac{1}{2}$ TON)	(cast 3657707)	605340	1	18.11
41-42	UTILITY (hvy. duty)				
46-53	2 TON	(6:17-1 ratio) (6-37 teeth) (cast 3661871)	605925	1	40.32
46-54	$\frac{3}{4}$ , 1 TON	(cast 3699535)	3699534	1	20.31
46-54	2-SPEED (Vac. Shift)	(cast 3800-N-430)	3682531	1	52.38
54	2 TON	(cast 3702281) (6-37 teeth)	3702284	1	40.25

#### 5.508 SCREW—STUD—BOLT—DOWEL—PIN, Differential Carrier Cap

29-39	AC, AD, AE, BA, BB, CA, CB, DA, DB, EA, EB, ED, FA, FB, FD, GC, HC, IC, ID, JE	cap ( $\frac{3}{8}$ -14 x $2\frac{3}{8}$ )	637136	8	.12
33-36	CC, DC, EC, FC				
37-34	PASS.	cap ( $\frac{3}{8}$ -14 x $2\frac{1}{2}$ )	472544	4	.12
40-42	COMM.				
46-54	$\frac{1}{2}$ TON	cap ( $\frac{3}{8}$ -12 x $2\frac{1}{2}$ )	3652346	4	.18



40-54	UTILITY (exc. 2-SPEED)	cap ( $1\frac{1}{16}$ —11 x $3\frac{1}{32}$ )	3702293	4	.32
46-54	$\frac{1}{4}$ , 1 TON	cap ( $\frac{3}{16}$ —12 x $3\frac{3}{8}$ )	3682128	4	.25
49-54	2-SPEED	cap ( $\frac{5}{8}$ —11 x $3\frac{1}{8}$ )	3691473	4	.32
46-48	2-SPEED (Vac. Shift)	STUD ( $\frac{5}{8}$ —11 and 18 thd. x $4\frac{1}{2}$ lg.)	3682525	4	.32
33-39	UTILITY	BOLT, bearing cap ( $1\frac{1}{16}$ —11 x $2\frac{3}{4}$ )	370456	4	.25
39-46	2-SPEED	BOLT	678788	4	.48
40-53	UTILITY,				
54	$1\frac{1}{2}$ TON	DOWEL, cap	3652274	4	.18
46-54	$\frac{1}{4}$ , 1 TON	DOWEL, cap	3682129	4	.18
46-48	2-SPEED (Vac. Shift)	PIN, brg. cap stud lock	3682507	4	.06

### 5.508 GASKET, Axle Housing to Differential Carrier (paper)

33-36	CC, DC, EC, FC		472609	1	.12
33-36	CA, CB, DA, DB, EA, EB, ED, FA, FB, FD,				
37-42	COMM.,				
46-54	$\frac{1}{2}$ TON		370246	1	.12
33-39	UTILITY		370449	1	.12
33-40	O, P, Q, R, S, T, V, WA, WB, WE, WF,				
	2-SPEED		370451	1	.06
37-54	PASS.	( $9\frac{5}{8}$ x $10\frac{3}{4}$ )	593012	1	.12
39-54	2-SPD.		3651368	1	.06
40-54	UTILITY		3652259	1	.12
40-54	UTILITY	pinion oil seal and brg. retainer	3652257	1	.06
46-54	$\frac{1}{4}$ , 1 TON		3665607	1	.12
46-54	$\frac{1}{4}$ , 1 TON	pinion oil seal and brg. retainer	3682147	1	.12

### 5.510 CASE, Differential

NOTE: Differential case halves are not sold separately.

29	AC	(cast 356640)	361979	1	7.95
33-35	CC, DC, EC	(cast 472505)	364826	1	7.13
33-36	O, P, Q, R	w/riveted ring gear and pinion (37—6 teeth) (cast 370807)	364750	1	39.48
33-36	O, P, Q, R	w/riveted ring gear and pinion (38—7 teeth) (cast 370443)	364749	1	39.48
33-39	CA, CB, DA, DB, EA, EB, ED, FA, FB, FD,	(cast 369951)	364538	1	8.22
	GC, GD, GE, HC, HD, HE, IC, ID, IE..	(use w/ring gear and pinion 11—42 teeth —Econ. Axle) (cast 592194)	602043	1	6.58
36	FC	(use w/ring gear and pinion 9—37 teeth) (cast 476511)	476857	1	7.13
37-52	PASS. (exc. P.G.),	(cast 593009)	593009	1	8.22
53	SDL				
37-39	UTILITY (exc. VE, VF)	w/riveted ring gear and pinion (38—7 teeth) ( $2\frac{1}{8}$ O.D. brg. hubs) (cast 595631)	602464	1	39.48
37-39	UTILITY (exc. VE, VF)	w/riveted ring gear and pinion (37—6 teeth) ( $2\frac{1}{8}$ O.D. brg. hubs) (cast 595631)	602484	1	39.48
39	VE, VF	w/riveted ring gear and pinion (37—6 teeth) (cast 595631)	603760	1	39.48
39-46	2-SPEED (Mech. Shift)	(cast 3651412)	608750	1	32.35
40-42	COMM.,				
46-53	$\frac{1}{2}$ TON	(cast 3652336)	3652336	1	9.05
40-42	UTILITY (exc. hvy. duty, 2-SPD.),				
42-53	UTILITY (hvy. duty) (exc. 2-SPD.),				
54	$1\frac{1}{2}$ TON (hvy. duty)	(cast 3661872-73)	608922*	1	18.65
46-54	$\frac{1}{4}$ , 1 TON	(cast 3664592-93)	609803*	1	12.35
46-53	2-SPEED (Vac. Shift)	(stamped 3835-C-263)	610000†	1	32.35
50-52	PASS. w/P.G.,				
53	PASS. (exc. SDL),				
54	PASS.	(cast 593009) (identified by blue paint)	3691463	1	8.22
54	$\frac{1}{2}$ TON	(cast 3697701)	3697701	1	9.05
54	2 TON (exc. 2-SPD.)	(cast 3702226)	3707515	1	18.65
54	2-SPD. (Vac. Shift)	(cast 3703727)	3707538	1	34.75

\*NOTE: Bolts holding case together to be discarded when installing.

†NOTE: Ream holes after gear assembly. See Truck Shop Manual, Section 4.

### 5.513 BOLT, Differential Case

33-39	UTILITY.....	( $\frac{1}{2}$ —20 x $1\frac{13}{16}$ drilled).....	370455	8	.12
46-54	2-SPD. (Vac. Shift).....	gear to case attach. ( $\frac{9}{16}$ —18 x $2\frac{1}{2}$ drilled)	3682519	8	(5.479)
46-54	2-SPD. (Vac. Shift).....	gear to case attach. ( $\frac{9}{16}$ —18 x $5\frac{1}{2}$ drilled)	3682520	8	(5.531)

### 5.517 SHAFT, Differential Pinion

30-32	AD, AE, BA, BB.....	(0.80 O.D. x 5.3 long).....	357398	1	.83
33-36	CC, DC, EC, FC,				
37-54	PASS.....	( $\frac{1}{4}$ x $4\frac{7}{8}$ long).....	472538	1	.83
33-36	CA, CB, DA, DB, EA, EB, ED, FA, FB, FD,				
37-42	COMM.,				
46-54	$\frac{1}{2}$ TON.....	( $\frac{13}{16}$ x $5\frac{13}{16}$ long).....	369964	1	.90

### 5.518 SCREW, Pinion Shaft

33-42	PASS., COMM.,				
46-54	PASS., $\frac{1}{2}$ TON.....	pinion shaft lock ( $\frac{5}{16}$ —18).....	472546	1	.18

### 5.520 SPIDER, Differential

33-54	UTILITY (exc. 2-SPD.).....	(forged 3653895).....	370429	1	4.12
39-46	2-SPEED (Mech. Shift).....	( $6\frac{3}{16}$ O.L.).....	3651425	1	7.07
46-54	$\frac{1}{4}$ , 1 TON.....	(forged 3653696).....	3663696	1	3.85
46-52	2-SPD. (Vac. Shift) (1st design).....	( $1\frac{13}{16}$ hub hole) (stamp'd. 3278-M-91).....	3682505	1	7.08
52-54	2-SPD. (Vac. Shift) (2nd design).....	( $1\frac{1}{16}$ hub hole) (stamp'd. 3278-Z-104).....	3699589*	1	7.08

\*NOTE: Can be used in place of 3682505 but requires proper short length R.H. axle shaft.

### 5.526 GEAR, Differential Pinion

29	LQ.....	(11 teeth—shaft hole .815 O.D. $2\frac{3}{4}$ ).....	355669	2	2.32
30-32	AD, AE, BA, BB.....	(10 teeth—shaft hole .809 O.D. $2\frac{1}{4}$ ).....	357403	2	1.68
30-32	L, M, N.....	(11 teeth—shaft hole .925 O.D. $2\frac{3}{4}$ ).....	357651	2	2.48
33-36	PASS., COMM. (exc. CC, DC, EC, FC),				
37-42	COMM.,				
46-54	$\frac{1}{2}$ TON.....	(10 teeth—shaft hole $1\frac{1}{8}$ ).....	370225	2	2.05
33-36	CC, DC, EC, FC,				
37-42	PASS.....	(10 teeth—shaft hole .74).....	472515	2	2.05
33-51	UTIL. (exc. 2-SPD.),				
52-54	$1\frac{1}{2}$ TON.....	(11 teeth—shaft hole $\frac{1}{8}$ ).....	370446	4	2.70
39-42	2-SPEED.....	(9 teeth) (stamp'd. 2234-K-63).....	3651424	4	4.00
46-54	PASS.....	(10 teeth) (daub yellow paint).....	3682121	2	2.05
46-54	$\frac{3}{4}$ , 1 TON.....	(10 teeth).....	3681055	4	2.05
46	2-SPEED (Mech. Shift).....	(9 teeth) (stamp'd. 2233-Z-104).....	3682228	4	4.00
46-54	2-SPEED (Vac. Shift).....	(9 teeth) (stamp'd. 3683815).....	3663815	4	4.00
52-54	2 TON (exc. 2-SPD.).....	(10 teeth—shaft hole .88).....	3697745	4	2.53

### 5.528 GEAR, Differential Side

29	LQ.....	(18 teeth) (tooth O.D. 4.40).....	355668	2	4.17
30-32	L, M, N.....	(18 teeth) (tooth O.D. 4.77).....	357650	2	4.27
30-32	AD, AE, BA, BB.....	(16 teeth) (tooth O.D. 3.51).....	357402	2	3.13
33-39	CC, DC, EC, FC, GA, GB, HA, HB.....	(16 teeth) (tooth O.D. 3.38).....	472514	2	3.78
33-36	C, D, E, F (exc. CC, DC, EC, FC),				
37-39	COMM.....	(16 teeth) (tooth O.D. 3.70).....	370224	2	3.95
33-42	UTILITY,				
46-54	$1\frac{1}{2}$ TON.....	(10 spline—18 teeth) (tooth O.D. 4.3).....	370445	2	5.08
42-46	M, OR, OS, OW, OY (hvy. duty),				
46-51	2 TON.....	(16 spline—18 teeth).....	3661874	2	5.65
39-42	PASS.....	(16 teeth) (stamp'd. GM 39).....	3651053	2	3.78
39-42	2-SPEED.....	(18 teeth—9 teeth—16 splines) (stamp'd. 2234-K-63).....	3651184	2	10.40
40-42	COMM.,				
46-54	$\frac{1}{2}$ TON.....	(16 teeth).....	3652344	2	3.95
46-54	PASS.....	(16 teeth) (stamp'd. GM-R).....	3682122	2	3.78
46-54	$\frac{3}{4}$ , 1 TON.....	(18 teeth).....	3681056	2	4.33
46	2-SPEED (Mech. Shift).....	(16 teeth) (stamp'd. 2234-V-204).....	3682229	2	10.40
46-51	2-SPEED (Vac. Shift).....	(16 teeth) (stamp'd. 2234-T-202).....	3682526	2	10.40

52-53	2 TON (exc. 2-SPD.)	(27 spline—18 teeth)	3697746	2	5.65
52-53	2-SPD. (Vac. Shift)	(27 spline—18 teeth)	3698942	2	11.00
54	2 TON (exc. 2-SPD.)	(29 spline) (forged 3702292)	3702292	2	5.65
54	2-SPD. (Vac. Shift)	(29 spline) (stamped 3703724)	3703724	2	11.00

### 5.529 GEAR ASSEMBLY, Ring and Pinion (not sold separately)

NOTE: See group 5.510 for truck pinion with gear riveted to differential case.

NOTE: Part numbers in parentheses are stamped on ring gear and pinion respectively.

29	AC	(42—11T) (355413-14)	361922	1	15.58
30-32	AD, AE, BA, BB	(37—9T) (369954-55)	364244	1	15.78
30-32	LR, LS, LT, M, N	(38—7T) (359700-357653)	363064	1	27.30
33	CA, CB	(37—9T) (375040-602503)	364353	1	19.08
33	CC	(37—9T) (472788-89)	364824	1	19.08
34-35	DA, DB, EA, EB, ED	(37—9T) (375040-39) (use w/pinion rear brg. 901105)	600289	1	21.57
34-35	DC, EC	(37—9T) (472788-374641)	600523	1	21.57
35-36	EA, EB, ED, FA, FB, FD	use w/125530 rear pinion brg.,			
37-39	COMM.	(37—9T) (375040-595901)	602476*	1	21.65
35-36	EA, EB, ED, FA, FB, FD	(spec. econ. model),			
37-39	GC, HC, IC	(42—11T) (379506-595903)	602477	1	21.57
36	FC	(37—9T) (472788-474925)	601910	1	21.57
37-39	PASS.	(38—9T—hypoid) (593002-01)	602443	1	21.57
37-39	PASS.	(41—11T—hypoid) (595022-21)	602440	1	21.57
39-40	VB, VD, VH, VN, WA, WB, WE, WF (2- SPEED—TORQUE TUBE)	(19—8T) (3889M117-3890E-213)	603772	1	54.75
39-42	VF, WD, Y, M (2-SPEED)	(19—8T) (3889M117-3890L-222)	603771	1	54.75
40	KD, KE, KF	(41—9T—hypoid) (3652526-27)	604400	1	24.25
40	W (exc. WD)	(37—6T—hypoid) (3652522-21)	604404	1	30.82
40	WA, WB, WE, WF	(38—7T—hypoid) (3652282-81)	604424	1	30.82
40-52	PASS. (exc. P.G.)	(41—11T—hypoid) (595022-3652285)	604397	1	24.25
40-52	PASS. (Reg. Prod.) (exc. P.G.),				
53	SDL	(37—9T—hypoid) (3652178-3704417)	3705430	1	24.25
40-53	1/2 TON	(37—9T—hypoid) (3652510-3704461)	3705439	1	24.25
40	WD				
41-54	1 1/2 TON	(38—7T—hypoid) (3652282-3652547)	604416	1	34.50
40	WD				
41-54	UTILITY (exc. 2-SPEED)	(37—6T—hypoid) (3652522-3652549)	604427	1	34.50
41-42	COMM. (exc. 1/2 TON)	(41—9T—hypoid) (3652526-3657709)	605179	1	24.25
46-54	3/4 TON (exc. D-D)	(32—7T—hypoid) (3682104-03)	609797	1	25.50
46-54	1 TON, DUBL-DUTI.	(36—7T—hypoid) (3682146-45)	609798	1	25.50
46	2-SPEED (Mech. Shift)	(19—8T) (3889K193-3890J-270)	609846	1	54.75
46-54	2-SPEED (Vac. Shift) (lo ratio)	(23—8T) (3889M221-3890C-289)	609962	1	54.75
50-52	PASS. w/P.G.	(39—11T—hypoid) (3691464-3691465)	3694806	1	24.25
53	PASS. (Reg. Prod.) (exc. P.G., SDL),				
54	PASS. (Reg. Prod.) (exc. P.G.)	(37—10T—hypoid) (3697720-3703799)	3705261	1	24.25
53-54	PASS. w/P.G.	(39—11T—hypoid) (3691464-3704411)	3705262	1	24.25
54	1/2 TON	(39—10T—hypoid) (3697702-3697703)	3707516	1	24.25
54	2-SPEED (Vac. Shift) (hi ratio)	(22—7T) (3889M221-3890C-289)	3707547	1	54.75

\*NOTE: If removed pinion is stamped 379513 it is a special 9:44 ratio installation using rear bearing 379515 and lock ring 379516. For replacement, rear bearing 125630, ring 377722, and Speedo gear set 602519 should be used.

### 5.531 RIVET—SCREW—BOLT—KEY, Ring Gear

29-32	AC, AD, BA, BB		367230	10	.03
33-36	CC, DC, EC, FC		379668	10	.03
33-39	CA, CB, DA, DB, EA, EB, ED, FA, FB, FD, GC, GD, GE, HC, HD, HE, IC, JD, JE		370311	A.R.	.03
37	PASS.	SCREW (3/8—24 x 1 1/8 drilled)	593065	10	.06
37-52	PASS. (exc. P.G.),				
53	SDL	SCREW (3/8—24 x 2 3/8) (used with lockwasher)	596529	10	.06
40-42	COMM.,				
46-53	1/2 TON	SCREW (3/8—24 x 1 1/8)	3652347	12	.06
40-54	UTILITY,				
46-54	3/4, 1 TON	SCREW (1/2—20 x 2)	3652253	12	.12
50-52	PASS. w/P.G.,				
53	PASS. (exc. SDL),				
54	PASS.	SCREW (3/8—24 x 1 1/8) (stamp'd. "T" on head)	3691466	10	.06

54	1/2 TON.....	SCREW (3/8-24 x 2 1/2).....	3697704	12	.06
39-46	2-SPEED (Mech. Shift).....	BOLT, gears to case attach. (1/8-20 x 2 1/4).....	3651455	12	.20
46-54	2-SPEED (Vac. Shift).....	BOLT, gears to case attach. (3/16-18 x 5 3/8).....	3682520	8	.60
46-54	2-SPEED (Vac. Shift).....	KEY.....	3682541	1	.54

**5.533 PAD—SCREW—LOCK, Ring Gear**

33-54	UTILITY.....				
46-54	3/4, 1 TON.....	PAD, thrust.....	370463	1	.32
33-39	UTILITY.....	SCREW, ring gear thrust pad (2 1/2).....	593443	1	.48
40-54	UTILITY.....				
46-54	3/4, 1 TON.....	SCREW, thrust pad.....	3652255	1	.48
33-36	UTILITY.....	LOCK, ring gear thrust pad screw.....	370471	1	.06

**5.536 BEARING, Differential Side**

30-36	PASS., COMM. (exc. CC, DC, EC, FC),				
37-39	COMM.....	(ND 0100).....	902100	2	7.50
30-36	UTILITY.....	(ND 0101).....	902101	2	10.50
33-35	CC, DC, EC.....	(ND 0103).....	902103	2	6.55
36-54	PASS. (exc. FA, FD).....	(Hyatt A 11360) (Hy 11360 Z).....	127861*	2	6.15
37-39	UTILITY.....	(ND 3211-62-A).....	954451	2	8.70
37-53	UTILITY.....				
54	1 1/2 TON.....	(Hyatt A 11820) (Hy 11820Z).....	148399†	2	10.75
40-42	COMM.,				
46-54	1/2 TON.....	(Hyatt A 11445) (Hy 11445 Z) (18 rollers).....	187434	2	6.10
48-54	3/4, 1 TON.....	(Hyatt D 11786) (Hy 11786 Y).....	188930	2	8.80
54	2 TON.....	(Hyatt KC 11948Y).....	7450326	2	12.10
39-46	2-SPEED (Mech. Shift).....	CONE (TIM. X3984).....	115231	2	7.98
39-54	2-SPEED.....	RACE, outer (TIM. M 3920).....	135495	2	5.34
46-54	2-SPEED (Vac. Shift).....	RACE, inner, w/roller (TIM. X 3994).....	435973	2	7.98

\*NOTE: Must be installed in sets of two on 1939-40 models.

†NOTE: Must be installed as an assembly and in sets of two on 1937-39 models.

**5.537 NUT, Differential Bearing Adjusting**

29-36	PASS. (exc. CC, DC, EC, FC),				
29-42	COMM.,				
46-54	1/2 TON.....	(3 1/8 O.D. x 3/8 thick—12 slots).....	3707303	2	.50
29-53	UTILITY.....				
54	1 1/2 TON.....	(4 1/4 O.D.) (3/8 thick).....	357665	2	.75
33-36	CC, DC, EC, FC,				
37-54	PASS.....	(3 3/4 O.D. x 1/4 thick—12 slots).....	3707301	2	.40
39-54	2-SPEED.....	(4 3/4 O.D.).....	2076220	2	1.60
46-54	3/4, 1 TON.....	(3 3/4 O.D.).....	3664527	2	.75
54	2 TON.....	(2 1/2 I.D. x 4 1/2 O.D.—14 slots).....	3702289	2	.85

**5.539 LOCK, Differential Bearing Adjusting Nut**

29-36	PASS. (exc. CC, DC, EC, FC),				
29-42	COMM.,				
46-54	1/2 TON.....		344082	8	.08
33-36	CC, DC, EC, FC,				
37-54	PASS.....		472539	2	.07
29-53	UTILITY.....				
46-54	3/4, 1, 1 1/2 TON.....		345672	2	.06
39-54	2-SPEED.....		2076221*	2	.13
54	2 TON (exc. 2-SPD.).....	(1 1/4 wide x 4 3/8 long—curved).....	3702290	2	.06
39-54	2-SPD.....	BOLT, adjusting nut lock (3/8-18 x 1/16).....	3652345	4	.06

\*NOTE: When used on Vac. Shift Models, cut 1/8 from the wide end and file the edge.

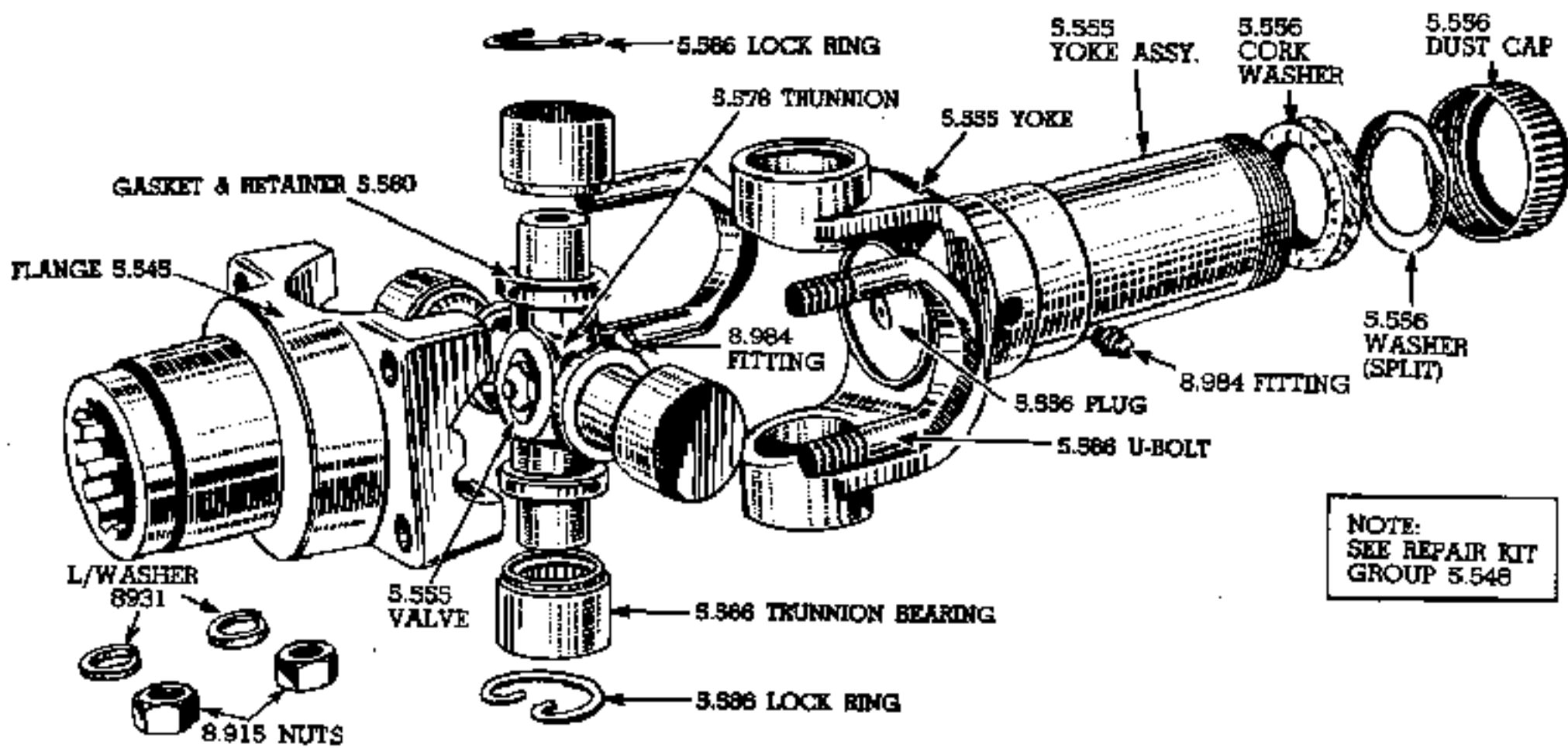
**5.542 WASHER, Differential Pinion Thrust**

39-54	2-SPEED.....		3682522	4	.27
52-54	2 TON (exc. 2-SPEED).....		3697743	4	.20

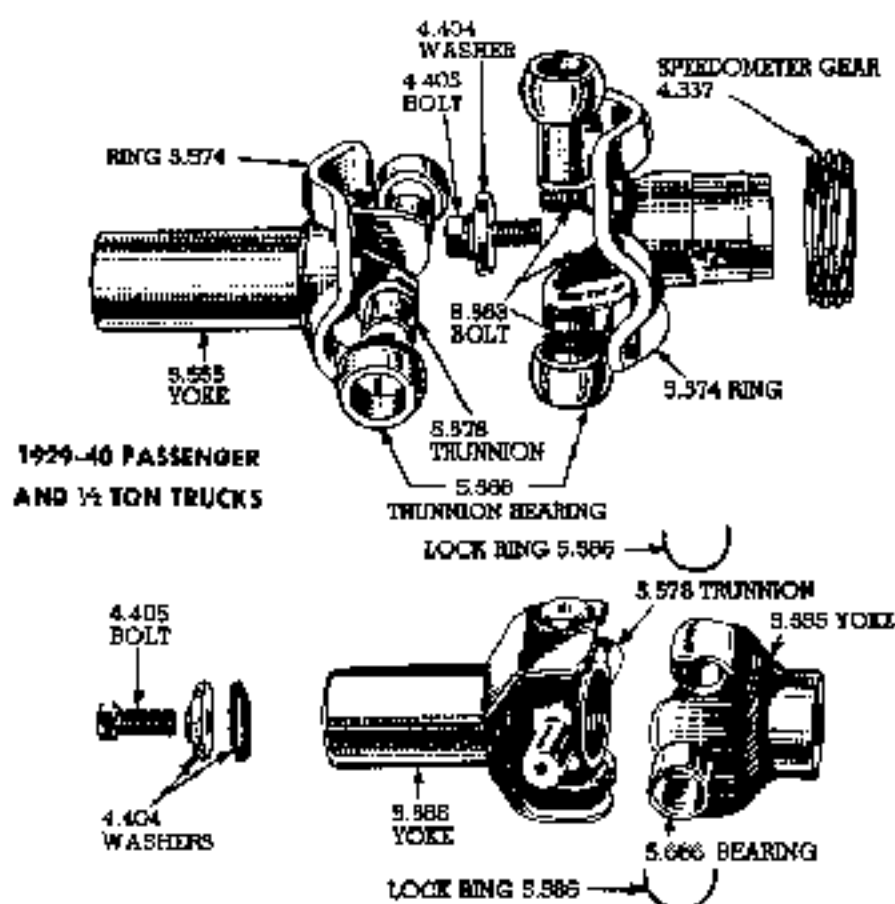
**5.543 WASHER, Differential Side Gear Thrust**

39-46	2-SPEED (Mech. Shift).....		3681189	2	.53
46-53	2-SPEED (Vac. Shift).....		3682527	2	.53
52-54	2 TON (exc. 2-SPD.).....		3697744	2	.33
54	2-SPEED (Vac. Shift).....	(2 1/2 I.D. x 3 3/8 O.D.).....	3703725	2	.55

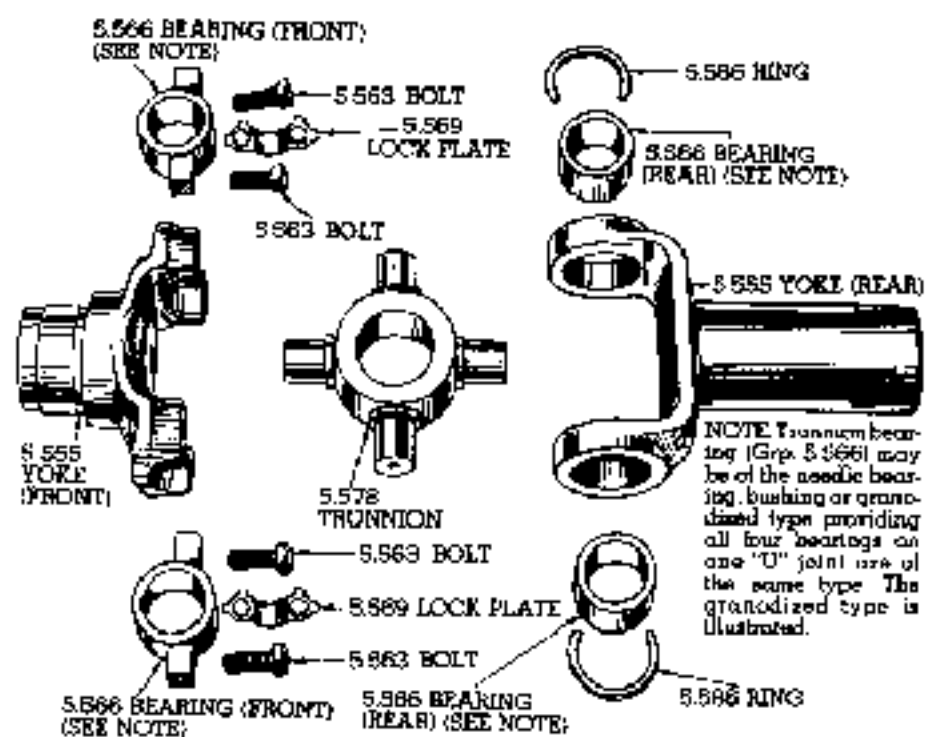




## 1941-54 INTERMEDIATE UNIVERSAL JOINT—TRUCK



**UNIVERSAL JOINT  
PASSENGER AND TRUCK**



**1941-54 UNIVERSAL JOINT  
PASSENGER CAR**

**5.545 FLANGE—DEFLECTOR—SPACER—WASHER, Propeller Shaft Pinion**

39-40	VF, WD (2-SPEED)		3651168	1	6.48
40	WD		3653619	1	4.02
41-42	COMM. (exc. 1/2 TON)	w/deflector (forged 3657708)	3663150	1	3.74
41-53	2-SPEED	w/deflector (stamped 3897-X-336)	3657342	1	9.37
41-53	UTILITY (exc. 2-SPD.)	w/deflector (forged 3657003) (2nd type on			
46-54	3/4, 1, 1 1/2 TON	DR, DS)	3663176	1	4.86
46	DR, DS (1st type)	w/deflector (forged 3682116)	3680976	1	4.89
54	2 TON (exc. 2-SPEED)	w/deflector (forged 3703715)	3703716	1	5.50
54	2-SPEED	w/deflector (forged 3703733)	3703734	1	9.50
41-54	UTILITY,				
46-54	COMM. (exc. 1/2 TON)	DEFLECTOR (2 3/4 I.D. x 4 1/4 O.D.)	3663162	1	.33
41-42	COMM. (exc. 1/2 TON)	DEFLECTOR (1 19/32 I.D. x 3 19/32 O.D.)	3663652	1	.43
41-54	2-SPEED	DEFLECTOR (2 7/16 I.D. x 4 3/4 O.D.)	3657341	1	.48
46-54	COMM. (exc. 1/2 TON)	SPACER, flange (2 I.D. x 2 5/8 O.D. x 5/16)	3682152	1	.15
39-40	VF, WD (2-SPD.),				
41-54	2-SPD.	WASHER, flange (1 1/2 x 1 7/8 x 1/4 thick)	2277315	1	.17
40	WD,				
41-54	UTILITY,				
46-54	3/4, 1 TON	WASHER, flange (2 1/16 x 1 5/8 x 13/64 thick)	3653620	1	.06
41-42	3/4, 1 TON	WASHER, flange (1 7/8 x 1 3/4 x 3/16 thick)	3656829	1	.12

**5.548 JOINT ASSEMBLY—REPAIR KIT, Universal**

NOTE: Nos. following model usages are forged on the frt. and rear yokes respectively. Also see groups 4.404 and 4.405 for Universal Joint attaching parts.

29	AC	(347661 Frt.—347660 Rr.)	343881	1	6.89
29-32	LQ, LR, LS, LT, MC, MD, NC, ND	rear (352810 Frt.—369541 Rr.)	369542	1	8.82
30-31	AD, AE	(347661 Frt.—357493 Rr.)	362739	1	6.89
31-32	M, N	front (367027 Frt.—369541 Rr.)	364198	1	8.40
32-33	BA, BB, CA, CB	(367795 Frt.—357493 Rr.)	363717	1	7.16
33	OA, OB	(3658725 Frt.—370469 Rr.)	364440	1	7.16
33-36	CC, DC, EC, FC	(473772 Frt.—474923 Rr.)	601889	1	8.15
33-39	1/2 TON (4-SPD.)	front,			
37-39	COMM. (exc. 1/2 TON) (4-SPD.)	rear (3658725 Frt.—376203 Rr.)	600865	1	9.49
34-36	DA, DB, EA, EB, ED, FA, FB, FD (3-SPD.)	(367795 Frt.—373536 Rr.)	600174	1	8.62

NOTE: 600174 also used w/trans. which have serial numbers beginning w/"WM."

33	UTILITY	rear,			
34-39	UTILITY (exc. VE, VF)	front and rear,			
37-47	3/4, 1 TON, W (4-SPD.) (exc. WD, AN, BN, DS, ES)	front,			
40	WC	intermediate (3658725 Frt.—596911 Rr.)	605118	1	9.94

NOTE: When using 605118 it is also necessary to use 3667936 Washer and 367266 Bolt.

37-39	GD, HD, JD (3-SPD.)	front (3652866 Frt.—473536 Rr.)	602795	1	8.62
37-39	PASS., 1/2 TON (3-SPD.)	(593025 Frt.—373536 Rr.)	602462	1	8.62
39-40	VE, VF, WD	front	603763	1	15.42
40	KD, KE, KF (3-SPD.)	rear (3653365 Frt.—3653366 Rr.)	3653379	1	9.93
40	W (exc. WD)	rear (3653365 Frt.—3653367 Rr.)	3653380	1	9.93
40-48	PASS.,				
40-47	1/2 TON (3-SPD.)	(3653057 Frt.—3665768 Rr.)	606779	1	8.64
40	COMM. (exc. 1/2 TON) (3-SPD.)	front (3652866 Frt.—596911 Rr.)	604373	1	9.49
40-47	1/2 TON (4-SPD.)	(3658724 Frt.—3665768 Red Strips Rr.)	609531	1	9.06
41-53	3/4 TON (3-SPD.)	front (591648 Frt.—596911 Rr.)	591646	1	9.49
48-54	1/2 TON (3-SPD.) (hvy. duty),				
49-54	PASS. (exc. P.G.)	front (591644 Frt.—3665768 Rr.)	591642	1	8.64
48-54	1/2 TON (4-SPD.)	front (3686323 Frt.—3665768 Rr.)	3689266	1	9.06
48-53	3/4 TON (4-SPD.)	front (3686324 Frt.—596911 Rr.)	3689288	1	9.94
50-52	PASS. w/P.G.	(3689857 Frt.—3665768 Rr.)	3693692	1	8.64
53-54	PASS. w/P.G.	(3703214 Frt.—3665768 Rr.)	3704232	1	8.64
33-39	COMM., UTIL. (4-SPD.) (exc. VE, VF)	REPAIR KIT, front and rear,			
40	COMM., UTIL. (exc. KC, WD)	front (consists of 1 trunnion, 4 brgs., 4 brg.			
41-53	3/4 TON (exc. D-D)	rings)	609948	A.R.	4.13

40-54	PASS., 1/2 TON.....	REPAIR KIT, (consists of 1 trunnion, 4 brgs., 2 snap rings, 4 hex. hd. bolts and 2 lock plates).....	609944	1	3.18
41-48	3/4 TON.....	REPAIR KIT, rear only,			
41-53	D-D, 1 TON, UTILITY.....	oil joints (consists of 1 trunnion, 4 brgs., 2 snap rings, 2 "U" bolts, 4 washers and 4 nuts).....	609518	1	6.75
54	3/4, 1, 1 1/2 TON.....	REPAIR KIT, front and rear.....	3708961*	1	7.50
54	2 TON.....	REPAIR KIT, front, rear and inter. (finger dia. .775).....	3707830*	A.R.	7.65

\*NOTE: Consists of 1 trunnion, 4 brgs., 2 snap rings, 2 "U" bolts, 4 washers, 4 seals and 4 nuts.

### 5.555 YOKE—FLANGE—SLEEVE, Universal joint

37-39	PASS., 1/2 TON.....	front (forged 593025).....	593025	1	2.55
33	UTILITY.....	rear (on rear joint),			
34-39	UTILITY (exc. VE, VF).....	rear (on front and rear joint),			
37-40	3/4, 1 TON, W (exc. WD).....	rear (on inter. joint),			
41-53	3/4 TON.....	rear (on front joint) (forged 596911).....	596911	1	3.20
34-39	DA, DB, EA, EB, ED, FA, FB, FD, GA, GB, GC, HA, HB, HC, IA, IB, IC.....	rear, with synchro-mesh trans. (forged 373536).....	373536	1	2.88
35-39	COMM. (4-SPD.).....	rear (forged 376203).....	376203	1	2.88
39-40	VE, VF, WD.....	front and rear, flange (forged 131),			
51-54	ALL (w/prop. shaft brake).....	front, flange (behind drum).....	080384	A.R.	4.10
40	KD, KE, KF, W (4-SPD.) (exc. WD).....	front (rear joint) (forged 3653365).....	3653365	1	2.88
40-47	PASS., 1/2 TON (3-SPD.).....	front,			
48	PASS.....	front (forged 3653057 or 3657543).....	3653057*	1	2.55

\*NOTE: YOKE identified by No. 3653057 has 1 3/8 dia. shoulder.

40-54	PASS., 1/2 TON (3-SPD.),				
54	PASS. w/P.G.,				
54	1/2 TON w/A.T.,				
54	1/2 TON (hvy. duty).....	rear (forged 3665768).....	3665768	1	3.10
40	COMM. (3-SPD.) (exc. 1/2 TON).....	front (front joint) (forged 366731).....	3652866	1	3.10
40-47	1/2 TON (4-SPD.).....	front (forged 3658724).....	3658724	1	2.88
33-39	COMM., UTIL. (4-SPD.) (exc. CB, VE, VF).....	front (used w/frt. and rear joints),			
40	KD, KE (4-SPD.).....	w/frt. and rear joint,			
40	WC (4-SPD.).....	w/inter. joint,			
40-47	W, AL, AM, BL, BM, DR, ER (4-SPD.) (exc. WD).....	w/front joint (forged 370468).....	3658725	1	3.10
41-53	3/4 TON (3-SPD.).....	front (forged 3652866).....	591648	1	3.10
40-54	1/2 TON (4-SPD.).....	rear (red paint stripe).....	3681934	1	3.10
48-54	1/2 TON (3-SPD.) (hvy. duty),				
49-54	PASS. (exc. P.G.).....	front (forged 591644).....	591644	1	2.55
48-54	1/2 TON (4-SPD.).....	front (forged 3686323).....	3686323	1	2.88
48-53	3/4 TON (4-SPD.).....	front (forged 3686324).....	3686324	1	3.37
50-52	PASS. w/P.G.....	front (forged 3689857).....	3689857	1	2.55
53-54	PASS. w/P.G.....	front (forged 3703214).....	3703214	1	2.55
54	3/4 TON (3-SPD.) (exc. hvy. duty),				
54	3/4, 1 TON (3-SPD.) (hvy. duty).....	front (forged 3845022).....	3845092	1	3.75
54	S.....	prop. shaft and "U" joint,			
54	2 TON (exc. S).....	frt. prop. shaft and brg. supt.....	3707778	1	4.10
54	1/2 TON w/A.T.....	front.....	8614910	1	5.40
39-40	VE, VF, WD.....	FLANGE, propeller shaft and speedometer drive gear companion 1 3/8 I.D. of spline.....	095793	1	6.40
40	WC (w/tru. stop brake).....	FLANGE, U/joint, w/speedo drive gear (forged 591353).....	3651686	1	4.43
41-47	AN, Y, BN, M, O, DS, P, ES, Q.....	FLANGE, front (at trans.) (ident. daub orange paint).....	591172	1	3.77
41-42	1 TON, UTIL. (exc. YU, MU),				
41-53	3/4 TON.....	FLANGE (at hanger) (stamped 3657394).....	3657394	1	3.72
41-47	ALL (w/tru-stop brake).....	FLANGE, front.....	591227	1	10.58
41-47	AN, BN, DS, ES.....	FLANGE, frt. prop. w/dust shield, (use w/dbl. row brg.),			
41-47	UTIL. (exc. YU, MU, OH, PP, QP).....	inter. prop (forged 3657394).....	3680420	1	4.22
42	MT.....				
48-50	UTILITY,				
48-54	1 TON (4-SPD.),				
54	3/4 TON (4-SPD.).....	FLANGE, front U/joint.....	591700	1	4.22

48-50	ALL (w/tru-stop brake)	FLANGE, front	591718	1	8.48
48-53	1 TON, UTILITY (exc. short COE)	FLANGE, frt. prop. w/deflector,			
48-53	2 TON SBC	FLANGE, inter. prop. w/deflector	3686940	1	4.22
51-54	ALL (w/prop. shaft brake)	FLANGE, front U/joint (retains speedo. drive gear) (front of drum)	591607	1	4.22
54	X, 2 TON SBC	FLANGE, front (forged 3705183)	3705182	1	6.75
54	3/4, 1 TON w/A.T.	FLANGE, front	3707632	1	4.25
41-53	3/4, 1 TON, UTIL.	SLEEVE ASSY., rear propeller shaft (stamped 3657108)	605056	1	5.50
54	3/4, 1, 1 1/2 TON	SLEEVE, rear	3707214	1	6.25
54	S	SLEEVE (prop. shaft and "U" joint)	3707215	1	10.50
54	2 TON (exc. S)	SLEEVE, rear	3707216	1	6.75

#### 5.556 PLUG—WASHER, Universal Joint Sleeve Yoke

39-40	VE, VF, WD,		087008	1	.06
41-54	3/4, 1 TON, UTIL.				
39-40	VE, VF, WD,				
41-53	3/4, 1 TON, UTILITY,				
54	S	WASHER, split	279335	1	.08
39-40	VE, VF, WD,				
41-53	3/4, 1 TON, UTILITY,				
54	S	WASHER (cork) (1 1/4 x 1 3/4 x 3/16)	084415	1	.06
54	3/4, 1 TON, UTILITY (exc. S)	WASHER (steel) (1 1/8 O.D.—16 teeth)	3705196	1	.08
54	3/4, 1 TON, UTILITY (exc. S)	WASHER (cork) (1 3/4 O.D.—16 teeth)	3705197	1	.06
39-40	VE, VF, WD,				
41-54	COMM., UTIL. (exc. 1/2 TON)	CAP (steel) (3/4 x 1 15/16 O.D.)	3663239	1	.43

#### 5.560 GASKET, Propeller Shaft Universal Joint Trunnion

39-41	VE, VF, WD, AL, AM, AN, Y	(Note 1)	080368	8	.05
41-53	3/4, 1 TON, UTIL.	(Note 2)	3660968	A.R.	.07
39-41	VE, VF, WD, AL, AM, AN, Y	RETAINER, gasket (Note 1)	080389	8	.06
41-53	3/4, 1 TON, UTILITY	RETAINER, gasket (Note 2)	3660969	A.R.	.06
54	3/4, 1 TON, UTILITY	SEAL, yoke brg. (2 3/8 I.D. x 1 3/16 O.D.)	3708038	A.R.	.15

NOTE 1: These parts used with trunnion having finger diameter of .680 on early 1941 models with 216 in. engine.

NOTE 2: These parts used with trunnion having finger diameter of .7385 on all 1941 models with 235 in. engine. Also used on late 1941 models with 216 in. engine.

#### 5.563 BOLT—WASHER, Universal Joint Attaching

29-39	PASS., 1/2 TON (exc. CC)	ring	347863	4	.06
40-54	PASS., 1/2 TON	trunnion bearing (3/4—28 x 2 1/2)	3653045	4	.07
41-50	ALL (w/Tru-Stop Brake)	prop. shaft brake to flange (3/8—24 x 1 3/16)	3659060	A.R.	.08
51-54	ALL (w/Prop. Shaft Brake)	"U" joint flg. to park, brk. drum (3/8—20 x 1 7/8)	591608	4	.11
41-47	ALL,				
48-54	PASS., 1/2, 3/4 TON	WASHER, lock "U" joint to trans. (3/8)	838819	1	(0.609)

#### 5.564 BALL, Universal Joint

29-33	AC, AD, AE, B, CA, CB		353894	1	3.56
29-40	UTIL. (exc. VE, VF, WD)	front (used on intermediate joint on WC)	353896	1	3.56
33-36	CC, DC, EC, FC		473006	1	3.12
34-36	DA, DB, EA, EB, ED, FA, FD, FB		373526	1	3.56
37-40	3/4, 1 TON	(used w/rear joint),			
37-54	PASS., 1/2 TON	(used w/front joint)	602688	1	3.56
37-40	COMM. (exc. 1/2 TON)	front joint, attaches at rear of transmission	596912	1	3.56
40	W (exc. WD)	rear	3653607	1	3.56

#### 5.565 COLLAR—SEAT, Universal Joint Ball

29-39	ALL (exc. CC, DC, EC, FC, VE, VF),				
41-54	PASS., 1/2, 3/4 TON (exc. P.G., A.T.)	front ball	348131	1	.73
33-36	CC, DC, EC, FC		473010	1	.57
34-40	3/4, 1 TON, UTIL. (exc. VE, VF, WD)	rear ball	377183	1	.73
40	PASS.	with support	3652661	1	4.50
40	KC, KD, KE, KF, W (exc. WD)	front ball	3653963	1	.62



50-54	PASS. w/P.G.,				
54	1/2 TON w/A.T.	(6 bolt holes)	3692835	1	.78
50-54	PASS. w/P.G.,				
54	1/2 TON w/A.T.	SEAT	3692838	1	1.30
50-54	PASS. w/P.G.,				
54	1/2 TON w/A.T.	SEAL, seat "O" ring (4 3/8 I.D.)	3689826	1	(4.203)

**5.566 BEARING—ROLLER—BUSHING, Universal Joint Yoke Transmion**

29-39	PASS., 1/2 TON (exc. CC, DC, EC, FC)	BEARING (1 1/8 I.D. x 1 1/8 O.D. x 5/8 wide)	351888	4	.43
29-31	LQ, LR, LS, LT	BEARING (1 1/8 I.D. x 1 1/8 O.D. x 2 1/2 wide)	352813	8	.43
33-39	3/4, 1 TON, UTILITY (exc. VE, VF),				
34-39	1/2 TON (4-SPD.)	BEARING, front and rear,			
40	COMM., UTILITY (exc. KC, WD),				
41-53	1/2 TON	front (3 1/2 O.D. x 2 1/2 I.D. x 1/4 width)	373344	A.R.	.43
39-41	VE, VF, WD, AL, AM, AN, Y	BEARING (1 1/8 I.D. of outer retainer)	080383*	8	1.35
40	KD, KE, KF, W (exc. WD)	BEARING, w/rollers, rear joint	3655039	4	.72
40-54	PASS., 1/2 TON	BEARING, front yoke	3665770†	2	.48
40-54	PASS., 1/2 TON	BEARING, rear yoke	3665771†	2	.38
41-53	3/4 TON	BEARING, rear,			
41-53	1 TON, UTIL.	front and rear,			
41-53	2 TON SBC, YT, MT, TY, UY, VY	intermediate (use w/finger dia. under 3/4)	3661395	A.R.	.70
53-54	3/4, 1 TON, UTILITY	BEARING, front and rear,			
53-54	X, 2 TON SBC	inter. (use w/finger dia. over 3/4)	3708900	A.R.	.75
40-42	PASS., 1/2 TON	ROLLER, brg. (19 per brg.) (Hyatt 3AS051)	7450044	76	100/1.00
40	COMM., UTIL. (exc. KC, WD)	ROLLER, rear joint (Hyatt 3AS054)	7450045	A.R.	100/1.40
41-53	3/4 TON	ROLLER, brg., rear,			
41-53	1 TON, UTIL.	brg., front and rear,			
41-53	2 TON SBC, YT, MT, TY, UY, VY	brg., interm. (part of 3661395)	3660967	A.R.	27/.85
53-54	3/4, 1 TON, UTILITY	ROLLER, brg., front and rear,			
53-54	X, 2 TON SBC	inter.	3708199	A.R.	34/1.17
40-42	PASS., 1/2 TON	BUSHING	605633†	4	.28

\*NOTE: 080383 used with transnion having finger dia. of .680 on early 1941 models with 216 in. engine.

†NOTE: For optional use in place of bearing rollers, for cars under especially severe service.

‡NOTE: 3665770 and 3665771 for use w/"U" Joint 606779 on 1940-41 models.

**5.567 SHIM, Ball Retainer**

29-39	ALL (exc. CC, DC, EC, FC, VE, VF),				
41-53	PASS., 1/2, 3/4 TON (exc. P.G.),				
54	PASS., 1/2 TON (exc. P.G., A.T.),				
54	3/4, 1 TON (3-SPD.) (hvy. duty)	(4 1/2 I.D.) (4 holes)	3699727	A.R.	.08
33-36	CC, DC, EC, FC	(paper)	473046	A.R.	.06
34-40	COMM., UTIL. (exc. 1/2 TON, VE, VF, WD)	rear "U" joint housing (paper) (4 1/2 I.D.)	373342	5	.08
40	PASS.		3652753	A.R.	.08
40	COMM., UTIL. (exc. WD)	front joint	3653962	A.R.	.08
50-54	PASS. w/P.G.,				
54	1/2 TON w/A.T.	(4 1/2 I.D.) (6 holes)	3692836	A.R.	.11

**5.569 PLATE, Transnion Bearing Lock**

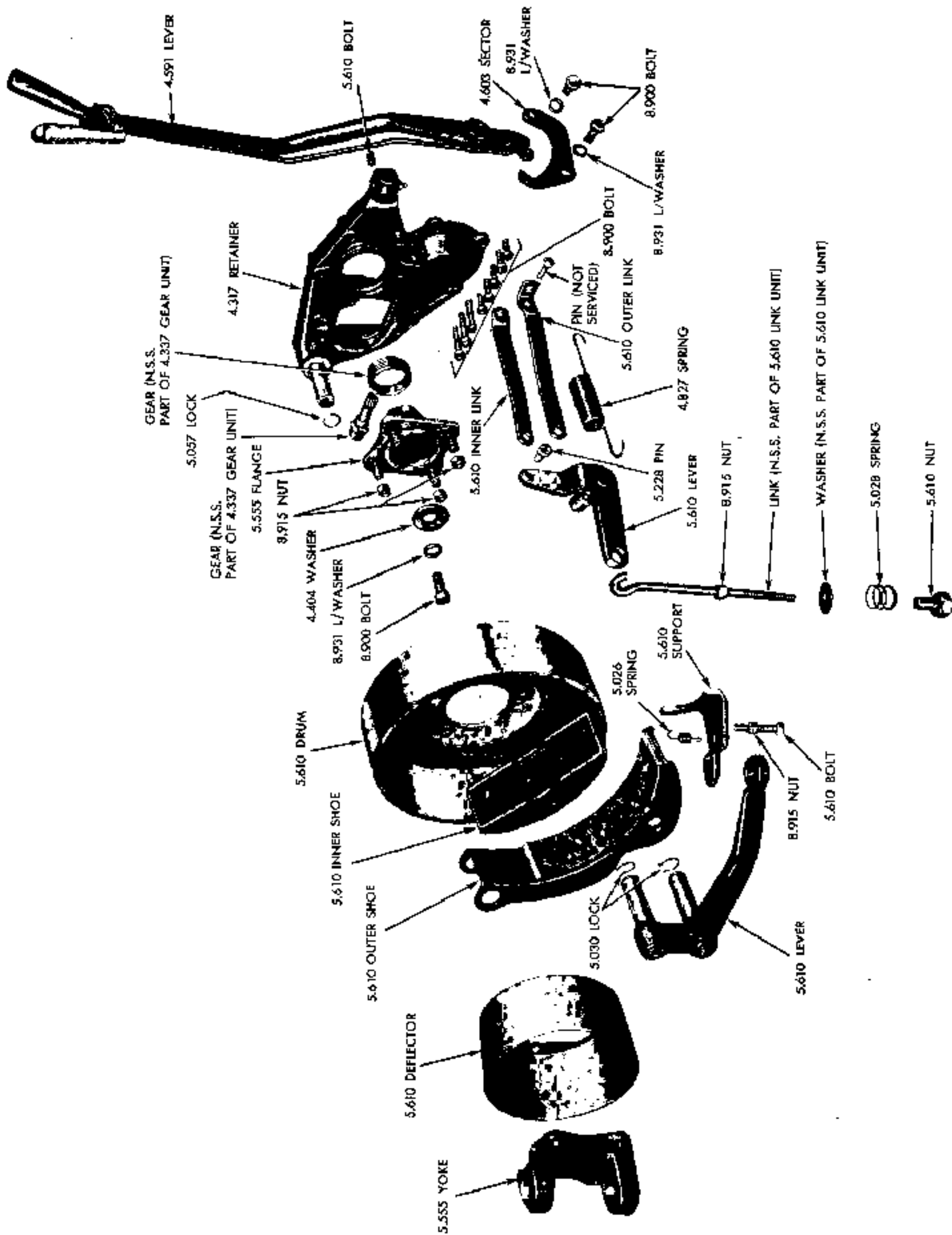
40-54	PASS., 1/2 TON				
54	1/2 TON (3-SPD.) (hvy. duty)	(use with bearing 3665770)	3655364	2	.07

**5.572 SEAL, Universal Joint Ball Collar Oil**

29-40	ALL (exc. CC, DC, EC, FC, VE, VF, WD),				
41-53	PASS., 1/2, 3/4 TON (exc. AL, AM, BL, BM),				
54	PASS., 1/2 TON	cork	348259	1	.22
33-36	CC, DC, EC, FC	(3 1/4 I.D.)	473047	1	.22

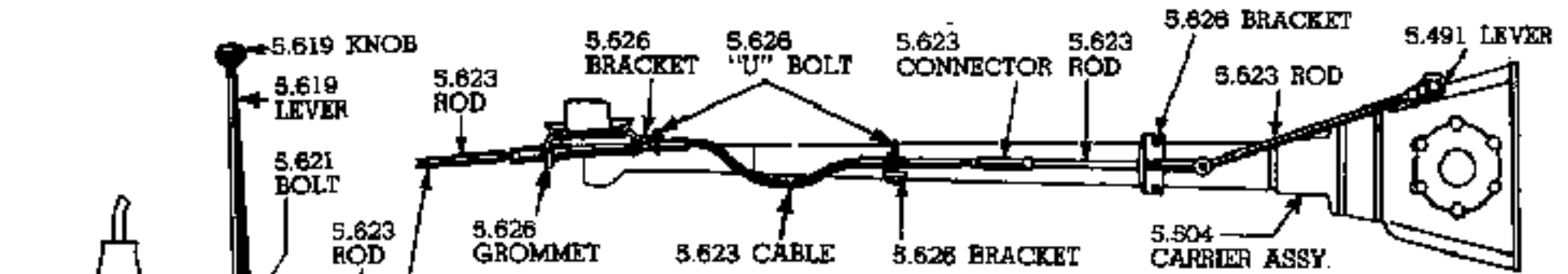
**5.574 RING, Universal Joint**

29-31	UTILITY (exc. M)	(riveted type)	367282	2	1.08
29-39	AC, AD, AE, BA, CA, CB, DA, DB, EA, EB, ED, FA, FB, FD, GA, GB, GC, HA, HB, HC, JA, JB, IC	(3 speed transmission)	347658	2	.92

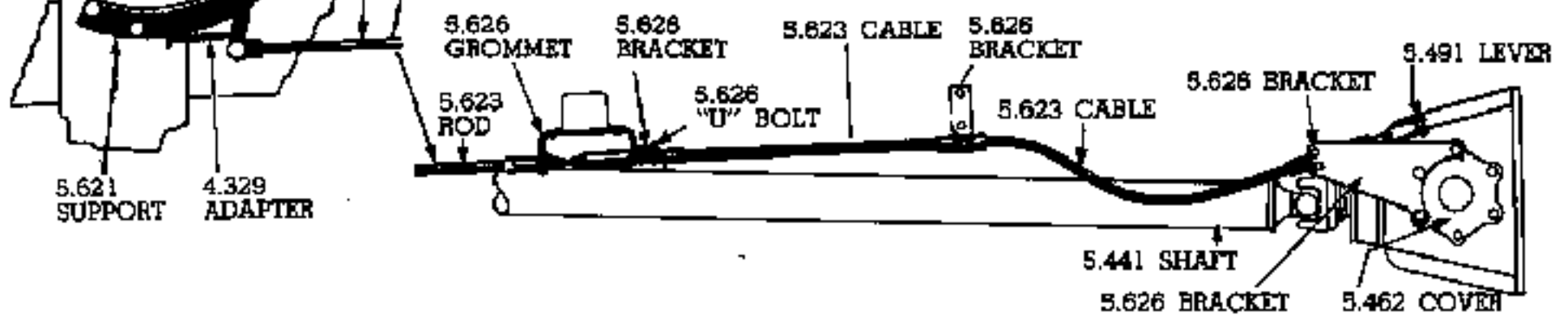


**PROPELLER SHAFT PARKING BRAKE—EXPLODED**

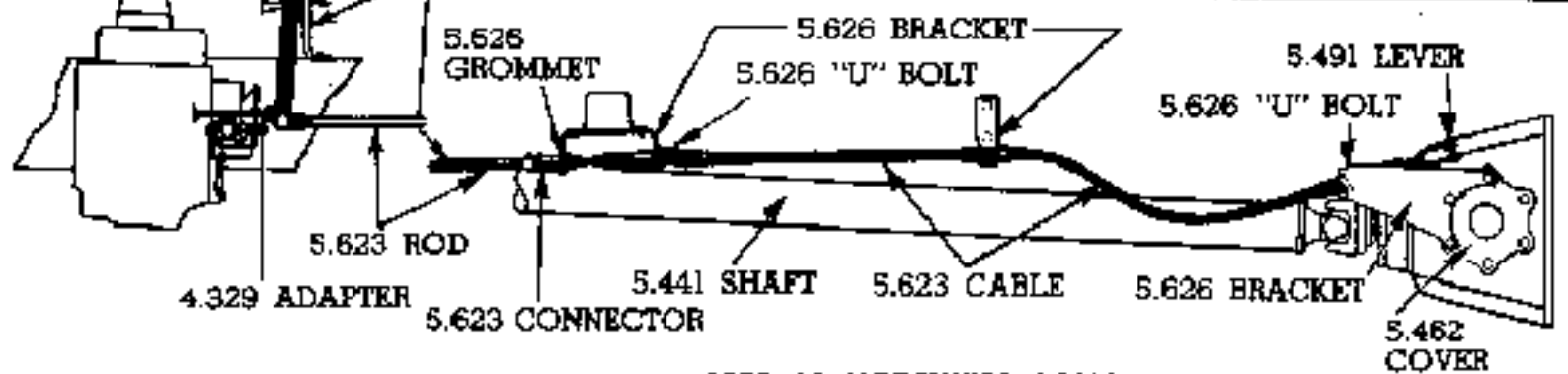
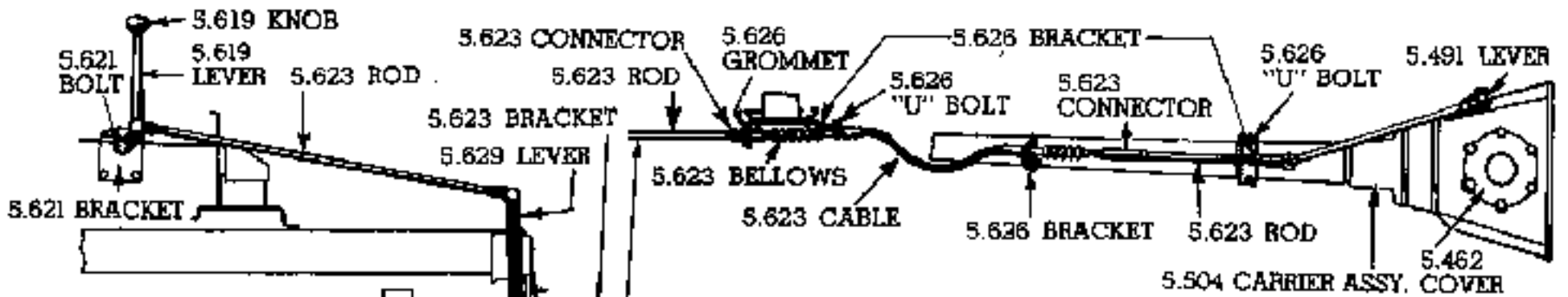
1939-1940 TORQUE TUBE—CONVENTIONAL



1941-1946 HOTCHKISS—CONVENTIONAL

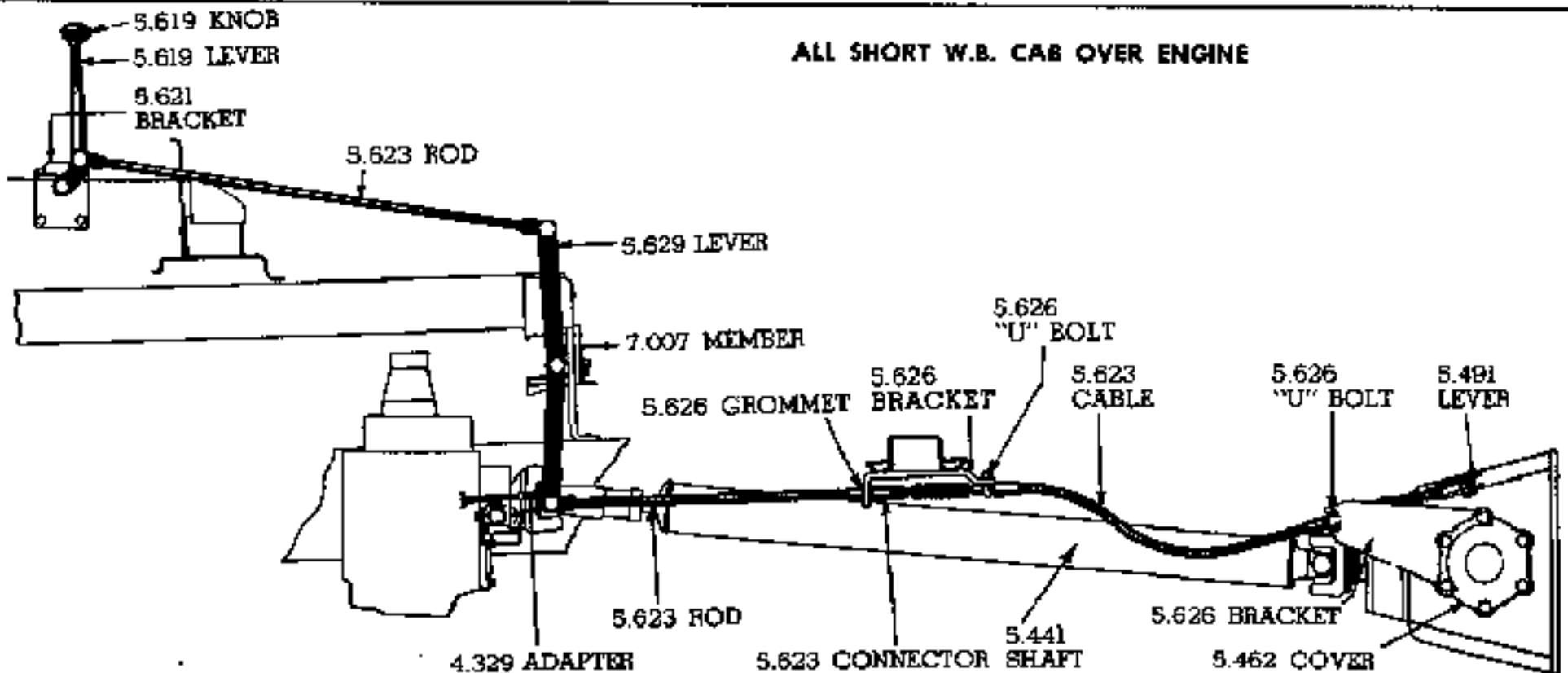


1939-40 TORQUE TUBE LONG W.B. C.O.E.

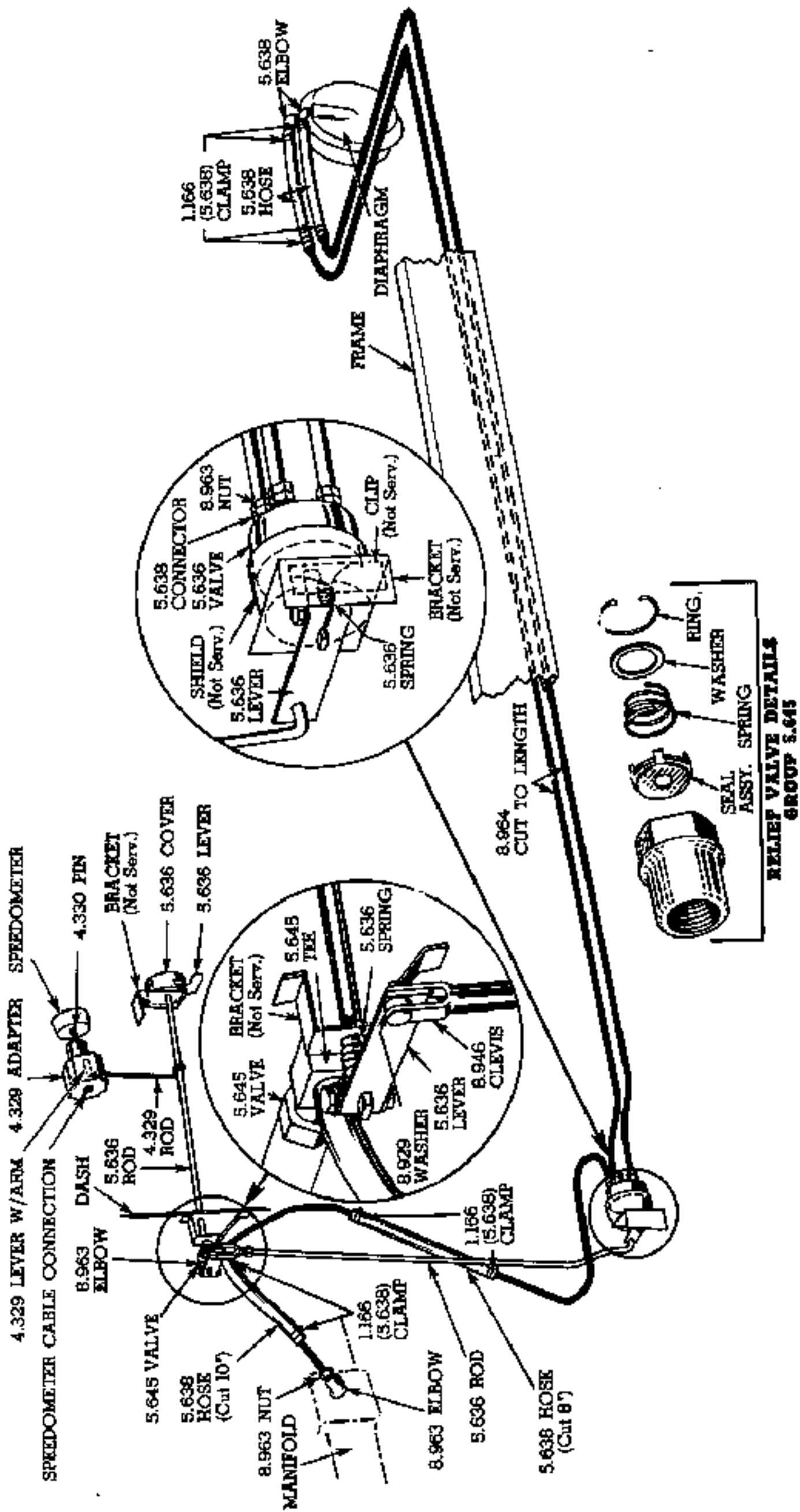


1939-46 HOTCHKISS LONG W.B. C.O.E.

ALL SHORT W.B. CAB OVER ENGINE



TWO-SPEED REAR AXLE MECHANICAL SHIFT MECHANISM



**TWO-SPEED REAR AXLE VACUUM SHIFT MECHANISM**



### 5.576 RETAINER—WASHER, Universal Joint Ball Packing

37-40	PASS., COMM.,				
41-54	PASS., ½ TON.....	oil seal (2 <sup>3</sup> / <sub>8</sub> I.D. x 2 <sup>3</sup> / <sub>8</sub> ).....	595012	1	.25
37-40	PASS., COMM.,				
41-54	PASS., ½ TON.....	WASHER, oil seal (2 <sup>1</sup> / <sub>2</sub> O.D. x 1 <sup>1</sup> / <sub>8</sub> ).....	595013	2	.06

### 5.578 TRUNNION—VALVE, Universal Joint (For Pass. See 5.548 Repair Kit)

40	KD, KE, KF, W (exc. WD).....	rear.....	3653381	1	2.22
41-53	¼ TON.....	rear,			
41-53	1 TON, UTIL.....	front and rear,			
41-53	2 TON SBC, YT, MT, TY, UY, VY.....	inter. (finger dia. .740).....	3660990†	A.R.	3.83
41-54	¾ TON.....	rear,			
41-53	1 TON, UTILITY.....	front and rear,			
41-53	2 TON SBC, YT, MT, TY, UY, VY.....	inter.,			
54	1, 1½ TON.....	front and rear (finger dia. .773).....	3705376†	A.R.	3.85
54	2 TON.....	front and rear,			
54	X, 2 TON SBC.....	inter. (finger dia. .775).....	3707777	A.R.	3.95
40-53	¾, 1 TON, UTILITY.....	VALVE, relief (for "U" joint).....	3660760	2	.25

†NOTE: Used on 1941 models with 235 in. engine and late 1941 models with 216 in. engine.

### 5.579 SPACER, Universal Joint

31-33	UTILITY,				
34-40	COMM., UTIL. (exc. VE, VF, WD),				
41-47	COMM. (exc. AN, BN, DS, ES).....	(use w/4 speed transmission).....	590485	1	.06
37-40	GC, GD, GE, HC, HD, HE, IC, ID, IE, K..	(1 <sup>1</sup> / <sub>2</sub> O.D. x 1 <sup>1</sup> / <sub>8</sub> I.D. x 2 <sup>1</sup> / <sub>8</sub> O.L.).....	590672	1	.32
41-48	PASS., COMM. (3-SPD.).....	(1 <sup>5</sup> / <sub>8</sub> O.D. x 1 I.D. x 2 <sup>1</sup> / <sub>8</sub> O.L.).....	591202	1	.55
48	COMM. (exc. 1 TON).....	(1 <sup>5</sup> / <sub>8</sub> O.D. x 1 I.D. x 4 O.L.) (machined one end).....	591641	1	.65
49-54	¼, ½ TON.....	(1 I.D. x 3.54 O.L.).....	591791	1	.49
49-54	PASS. (exc. P.G.).....	(1 I.D. x 4.18 O.L.).....	591758	1	.55
54	¾, 1 TON w/A.T.....	(1 <sup>3</sup> / <sub>8</sub> I.D. x 1 <sup>3</sup> / <sub>8</sub> O.D. x 1 <sup>1</sup> / <sub>2</sub> O.L.—steel tubing).....	3707631	1	1.15

### 5.580 PACKING, Ball

29-40	COMM., UTIL. (exc. ½ TON, VE, VF, WD)	cork (2 <sup>3</sup> / <sub>8</sub> O.D.).....	477437	5	.06
33-36	CC, DC, EC, FC.....	cork (2 <sup>3</sup> / <sub>4</sub> O.D.).....	473008	1	.06
34-36	DA, DB, EA, EB, ED, FA, FB, FD.....	felt (2 <sup>1</sup> / <sub>8</sub> O.D.).....	373605	1	.12
37-40	PASS., COMM.,				
41-54	PASS., ½ TON.....	felt, oil seal (2 <sup>1</sup> / <sub>8</sub> O.D.).....	595885	1	.38
40	W (exc. WD).....	cork (2 <sup>4</sup> / <sub>8</sub> O.D.).....	3653606	5	.06

### 5.586 RING, "U" Joint Yoke Trunnion Bearing Lock

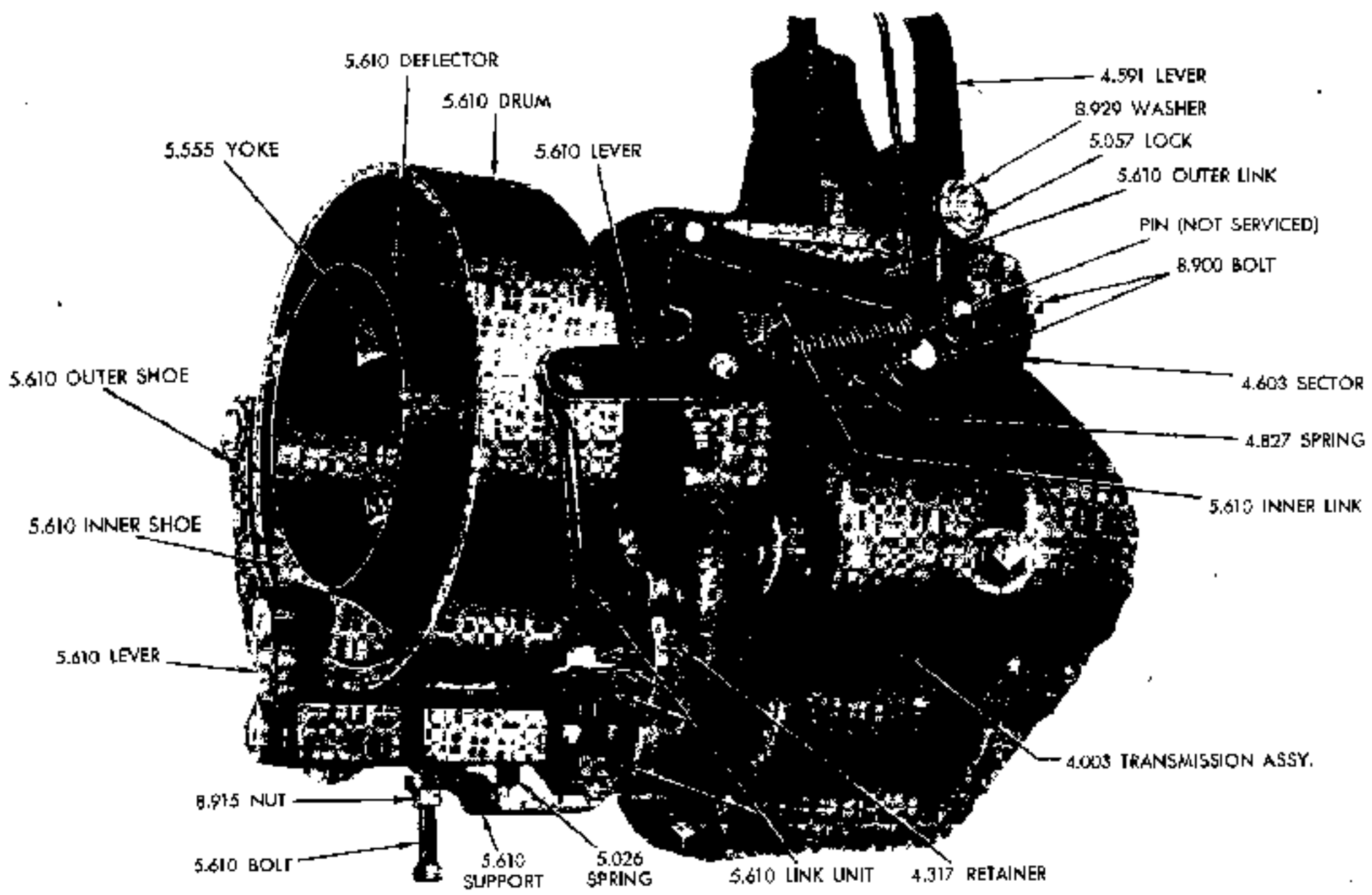
33-39	¾, 1 TON, UTILITY (exc. VE, VF),				
34-39	½ TON (4-SPD.).....	front and rear joint,			
40	COMM., UTILITY (exc. WD),				
41-53	¼ TON.....	front joint.....	365316	A.R.	.02
39-40	VE, VF, WD.....	front and rear,			
41-54	¾, 1 TON, UTIL.....	front and rear,			
41-54	2 TON SBC, YT, MT, TY, UY, VY.....	intermediate.....	090385	A.R.	.07
40-54	PASS., ½ TON.....		3652927	2	.03
40	KD, KE, KF, W (exc. WD).....	rear joint.....	3653369	4	.06
41-54	¾, 1 TON, UTILITY.....	"U" BOLT, trunnion brg. (all joints) (¾—24).	2066840	A.R.	.25

### 5.595 NUT, Propeller Shaft Pinion Flange

39-40	VE, VF, WD,				
41-42	UTILITY,				
46-54	¾, 1 TON, UTIL.....	(1 <sup>1</sup> / <sub>8</sub> —18) (at pinion).....	3650631	1	.32
39-54	2-SPEED.....	pinion flange to dr. pinion,			
41-53	¾, 1 TON, UTIL. (exc. short COE).....	front prop. shaft,			
46-53	2 TON SBC, TY, UY, VY.....	inter. prop. shaft,			
54	X, 2 TON SBC.....	front prop. shaft (1—20).....	3651486	A.R.	.32

### 5.606 BRAKE PARTS, Propeller Shaft (Tru Stop)

41-47	ALL.....	COVER, power take-off.....	3650522	1	(4.439)
41-50	ALL.....	DISC ASSY. (P-11-S-8800).....	2215201	1	19.10
41-50	ALL.....	SHOE and LINING ASSY. (stamped C-704).....	2130764	2	4.90



### PROPELLER SHAFT PARKING BRAKE

41-50	ALL	SPRING, brake shoe	2130773	1	.12
41-50	ALL	SPRING, lever arm release	2130768	1	.20
41-50	ALL	ARM, right front (stamped C-712)	2149356	1	6.03
41-50	ALL	ARM, right rear (stamped C-710)	2149357	1	6.46
41-50	ALL	ROD, brake tie	2130771	1	.55
41-47	ALL	ROD, brake pull	2149363	1	1.19
48-50	ALL	ROD, brake pull	2248109	1	.55
41-47	ALL	LEVER (offset) (C-933)	2149359	1	2.25
48-50	ALL	LEVER (offset) (DC-1137)	3689305	1	2.54
41-47	ALL	BRACKET, brake anchor (C-893)	2149362	1	9.75
48-50	ALL	BRACKET, brake anchor (BCA-1128)	2248108	1	8.78
41-50	ALL	PIN, lever arm anchor	2130767	2	.76
41-50	ALL	PIN, brake shoe	2149358	2	.45
41-50	ALL	PIN, clevis, 1/2 inch	2149360	1	.10
41-50	ALL	PIN, clevis, 1/2 inch special	2149361	1	.10
41-47	ALL	CLEVIS, adjusting, 3/8 inch special	2149364	1	.67
48-50	ALL	CLEVIS, adjusting, 3/8 inch special	2248110	1	.67
41-50	ALL	RETAINER, brake shoe pin	2130770	2	.06

#### 5.610 BRAKE PARTS, Propeller Shaft (Dual Shoe)

51-54	ALL (w/prop. shaft brake)	DRUM	591614	1	4.49
51-54	ALL (w/prop. shaft brake)	SHOE, inner	3694570	1	2.10
51-54	ALL (w/prop. shaft brake)	SHOE, outer	3694574	1	2.85
51-54	ALL (w/prop. shaft brake)	FACING UNIT, brake shoe (inner and outer)	3696497	1	2.00
51-54	ALL (w/prop. shaft brake)	DEFLECTOR, drum oil	591609	1	.93
51-54	ALL (w/prop. shaft brake)	LEVER, brake shoe	3695829	1	4.55
51-54	ALL (w/prop. shaft brake) (exc. COE)	LEVER, operating (offset w/shaft)	3695826	1	1.05
51-54	COE	LEVER, operating (straight w/shaft)	3695838	1	1.05
51-54	UTILITY	LINK UNIT, operating	3696895*	1	.60
51-54	1 TON, UTILITY (exc. COE)	LINK, lever outer connecting (angle on one end)	3695834	1	.22

51-54	1 TON, UTILITY (exc. COE)	LINK, lever inner connecting	3695828	1	.22
51-54	COE	SHAFT ASSY., cross	3694583	1	(4.788)
51-54	COE	SUPPORT, cross shaft	3694588	1	(4.803)
51-54	ALL (w/prop. shaft brake)	SUPPORT, adjusting bolt	591678	1	.75
51-54	ALL (w/prop. shaft brake)	SPRING, outer shoe to adj. bolt support	3695836	1	(5.026)
51-54	ALL (w/prop. shaft brake)	SPRING, shoe lever	3695830	1	(5.028)
51-54	1 TON, UTILITY (exc. COE)	SPRING, lever return (6 <sup>3</sup> / <sub>32</sub> free length—20 coils)	3695835	1	(4.827)
51-54	ALL (w/prop. shaft brake)	LOCK, shoe lever	2084234	1	(5.030)
51-54	ALL (w/prop. shaft brake)	LOCK, brg. ret. to outer shoe	359380	1	(5.057)
51-54	ALL (w/prop. shaft brake)	BOLT, outer shoe adjusting (3/8—24 x 1 1/8)	591675	1	.11
51-54	ALL (w/prop. shaft brake)	BOLT, operating lever shaft lock (1/4—20 x 2 1/8) (w/1/8 pilot)	591558	1	.06
51-54	ALL (w/prop. shaft brake)	NUT, brake shoe lever adjusting (3/8—24)	3695831	1	.22

\*NOTE: Consists of 1 Link, 1 Adjusting Nut, 1 Lever Spring, 1 Special Washer, and 1 Hex. Nut.

#### 5.619 LEVER—KNOB, Rear Axle Gear Shift

39-46	COE (2-SPEED) (Mech. Shift)		3651634	1	1.25
41-46	2-SPEED (exc. COE) (Mech. Shift)		3657803	1	3.43
39-46	2-SPEED (Mech. Shift)	KNOB (2 1/4 dia.)	374993	1	(4.009)

#### 5.621 BOLT, Rear Axle Gear Shift Lever

39-46	2-SPEED	attaching	3650937	1	.18
-------	---------	-----------	---------	---	-----

#### 5.623 LINKAGE, Rear Axle Gear Shift—2-SPEED AXLE

39-40	VB, VD, VH, VN, WA, WB, WE, WF	ROD, rear shift, to axle	3651336	1	.65
39-46	VD, WB, YS, MS, OS, OF, PW	ROD, gearshift front	3660881	1	1.55
39-46	VN, WF, YW, MW, OI, PS	ROD, gearshift idler lever (to cable)	3652135	1	1.12
41-46	COE	ROD, shift lever to idler lever	3657805	1	3.11
39-46	VF, WD, YU, MU, OH, PP	CABLE ASSY., gearshift	3651613	1	6.31
39-40	VB, VD, VH, VN, WA, WB, WE, WF	CABLE ASSY., gearshift	3650940	1	6.31
41-46	2-SPD. (Mech. Shift)	CABLE ASSY., gearshift	3657804	1	6.85
41-46	2-SPD. (Mech. Shift)	CLAMP, gearshift cable	3657807	1	.12
39-46	2-SPD. (Mech. Shift)	CLEVIS, adjusting cable	3650096	1	.32
39-46	2-SPD. (Mech. Shift)	BELLOWS, cable, 5 1/2 overall	592055	2	(4.834)
39-46	COE (Mech. Shift)	CONNECTOR, idler lever to cable rod	3651646	1	.37
39-46	VB, VD, WA, WB, YR, YS, MR, MS, OR, OS, OE, OF, PV, PW	CONNECTOR, front rod to cable rod	3653528	1	.37

#### 5.626 "U" BOLT, Rear Axle Gear Shift Cable—2-SPEED AXLE

39-46	VB, VD, VF, VH, VN, WA, WB, WD, WE, WF, YR, YS, MR, MS, OE, OF, PV, PW, COE (Mech. Shift)	cable axle bracket (around cable)	3650943	2	.18
-------	---	-----------------------------------	---------	---	-----

#### 5.627 SEAL, Rear Axle Gear Shift Lever—2-SPEED AXLE

39-46	VB, VD, WA, WB, YR, YS, MR, MS, OE, OF, OG, PV, PW, PX, COE	at gearshift	3683540	1	.43
39-46	COE (2-SPEED) (Mech. Shift)	at idler lever	3681794	1	.32

#### 5.629 LEVER, Rear Axle Gear Shift Rod Idler

39-46	COE (2-SPEED)	(1.87 <sup>1</sup> / <sub>16</sub> O.L., riveted)	3657481	1	2.18
-------	---------------	---	---------	---	------

#### 5.635 DIAPHRAGM ASSY. and PARTS, Vacuum Shift—2-SPEED AXLE

46-54	ALL	complete	3682150	1	14.93
49-50	ALL (Midland Vac. Shift)	KIT, diaphragm repair	3694088	1	5.83
46-54	ALL	CYL. and BOSS. Assy.	3847055	1	1.85
46-54	ALL	SHELL and SEAL Assy.	3847056	1	4.50
46-54	ALL	ROD ASSY., piston	3847057	1	4.50
46-54	ALL	DIAPHRAGM	3847058	1	1.85
46-54	ALL	PLATE, diaphragm	1261810	2	.42
46-54	ALL	SPACER, large	3847059	1	.37
46-54	ALL	SPACER, small	3847060	1	.18
46-54	ALL	SPACER, push rod	2212963	1	.33

46-54	ALL	RING, snap	3847061	1	.10
46-54	ALL	SEAL, piston rod	2212953	1	1.25
46-54	ALL	SPRING, push rod	2212962	1	.55
46-54	ALL	WASHER, stop	3847062	2	.12
46-54	ALL	BOLT (hex. hd. $\frac{5}{16}$ —24 x $5\frac{1}{2}$ )	3847063	1	.42
46-54	ALL	SLEEVE, mounting	3682607	1	3.55
46-54	ALL	SEAL, mounting	3682608	1	.15
46-54	ALL	SHIM, sleeve (.003)	2212968	A.R.	.05
46-54	ALL	SHIM, sleeve (.030)	3685176	A.R.	.15
46-54	ALL	STUD, mtg. ( $\frac{3}{8}$ —16—24 x $1\frac{1}{2}$ )	2256377	3	.10
46-54	ALL	GASKET, rubber (oil resistant)	3704432	1	.05

**5.636 VALVE—LEVER—PLATE—COVER—ROD—SPRING, Axle Gear Shift Selector—2-SPEED AXLE (Vac. Shift)**

46	ALL	selector	3682969	1	8.20
47	ALL	selector	3685806	1	7.40
48-54	ALL	selector	3687054	1	6.98
48-47	ALL	LEVER, selector valve	3682970	1	1.00
48-49	ALL (1st design)	LEVER, selector valve (dash) ( $\frac{5}{8}$ wide—1 hole $\frac{3}{16}$ dia.)	3687859	1	.80
48-54	ALL	LEVER, selector valve rod	3687084	A.R.	.27
49-54	ALL (2nd design)	LEVER, selector valve (dash) (cast 2165458)	2165458	1	.48
46	ALL	PLATE, selector valve indicator	3682973	1	.10
47	ALL	PLATE, selector valve indicator	3685804	1	.10
49-54	ALL	COVER, selector valve lever indicator	3692509	1	.92
48-53	ALL (exc. COE, FTC)	ROD, selector valve upr. (19 $\frac{1}{8}$ long)	3687077	1	.65
48-49	ALL (exc. COE) (1st design)	ROD, selector valve lwr. (25 $\frac{1}{4}$ long)	3690087	1	.53
48-53	COE, FTC,				
54	FTC	ROD, selector valve upr. (18 $\frac{1}{8}$ long)	3687079	1	.65
48-53	COE	ROD, selector valve lwr. (w/spring clip)	3692614	1	.43
49-54	ALL (exc. COE) (2nd design)	ROD, selector valve lwr. (w/clip at bent end)	3692596	1	.53
54	COE	ROD, selector valve upper (9 $\frac{1}{8}$ long)	3705539	1	.65
54	COE	ROD, selector valve lwr. w/clip (26 $\frac{1}{8}$ dev. length) ( $\frac{5}{16}$ —24 thd. one end)	3707671	1	.75
54	ALL (exc. COE, FTC)	ROD, selector valve upper (19 $\frac{1}{8}$ long)	3705540	1	.65
48-54	ALL	SPRING, selector valve upr. rod (4 $\frac{1}{2}$ coils)	3690299	1	.06
49-54	ALL	SPRING, selector valve lwr. rod (27 coils)	3688835	1	(8.081)

**5.638 PIPE—HOSE and PARTS, Vacuum Shift—2-SPEED AXLE**

46-47	PV, PW, QV, QW	brake cyl. to check valve upper	3684723	1	1.32
46-54	ALL	HOSE, sel. valve to shifter cyl. pipes ( $\frac{3}{8}$ x 16 $\frac{1}{2}$ )	3682980	A.R.	.95
46-54	ALL	CLAMP, sel. valve to shifter cyl. ( $1\frac{1}{4}$ )	111603	A.R.	(1.166)
46-53	ALL				
54	FTC	ELBOW, sel. valve to shifter cyl. ( $\frac{3}{8}$ )	3686414	A.R.	.32
47-50	ALL	ELBOW ( $\frac{1}{2}$ —14 pipe thread—2 $\frac{1}{8}$ long)	3685878	1	.57
46-47	ALL	NIPPLE ( $\frac{3}{8}$ )	2158151	A.R.	.40
46-54	ALL	CONNECTOR, selector valve pipe ( $\frac{3}{8}$ —18 x $\frac{1}{4}$ pipe threads)	3690048	3	.10

**5.645 VALVE ASSY. and PARTS, Vacuum Shift and Power Brake Check—(2-SPEED AXLE)**

46-54	ALL		2214107	A.R.	2.48
46-54	ALL	SEAL ASSY.	2225240	A.R.	.83
46-54	ALL	SPRING	2225241	A.R.	.16
46-54	ALL	WASHER	2225242	A.R.	.07
46-54	ALL	TEE ASSY.	3847069	1	2.43
46-54	ALL	RING, seal snap	2156894	A.R.	(4.955)

**5.803 WHEEL, Front or Rear**

Part No.	List Price	Part No.	List Price	Part No.	List Price	Part No.	List Price
592847	10.70	3651623	21.68	3682082	19.95	3703874	20.38
593998	10.69	3651952	12.30	3684454	11.75	3703878	19.95
601772	10.69	3682178	17.57	3687980	10.78	3704082	10.57
601898	12.30	3680915	10.05	3689039	10.69	3704088	10.70
601994	10.05	3681786	10.70	3693214	10.04	3705226	23.30
602541	12.30	3682064	15.50	3696012	20.38	3707031	10.78
602805	12.07	3682076	16.50	3696712	23.30		



**PASSENGER AND 1/2 TON COMMERCIAL WHEEL DATA**

	Model Application	Tire Size	Wheel Size	Off-set	Part No.	Clamp Ring (Grp. 5.839)	Side Ring (Grp. 5.839)
35-36	EA, ED, FA, FB, FD	5.50 x 17	17 x 3.62F	1/2"	592847		
35-42	EB, FB, FD, GC, HC, KC, AK, BK	7.00 x 15; 7.50 x 15	15 x 5.50F	3/8"	601772†		
36	FC	5.25 x 17	17 x 3.25	None	601994		
37-38	PASS., 1/2 TON	5.50 x 16; 6.00 x 16	16 x 4.00E	1/2"	593998		
39-48	PASS., 1/2 TON	5.50 x 16; 6.00 x 16; 6.50 x 16	16 x 4.50K	1/2"	3693214		
49-54	PASS., 1/2 TON	6.00 x 18	18 x 4.00	1/2"	3681952		
46-54	1/2 TON	7.00 x 15; 7.50 x 15	15 x 5.50F	1/2"	3704088	3680918	
46-48	PASS.	5.50 x 15; 6.00 x 15; 6.40 x 15;					
47-50	1/2 TON	6.50 x 15; 6.70 x 15; 7.10 x 15	15 x 5K	5/8"	3689039		
49-53	PASS.	5.50 x 15; 6.00 x 15; 6.40 x 15;					
		6.50 x 15; 6.70 x 15; 7.10 x 15	15 x 5K	5/8"	3687980		
54	PASS.	5.50 x 15; 6.00 x 15; 6.40 x 15;					
		6.50 x 15; 6.70 x 15; 7.10 x 15	15 x 5K	5/8"	3707031		

†NOTE: Also shown in 3/4, 1 TON and UTILITY WHEEL DATA.

**3/4, 1 TON COMMERCIAL and UTILITY WHEEL DATA**

37-42	GD, GE, HD, JD, KD, AL, BL	7.00 x 15; 7.50 x 15	15 x 5.50F	3/8"	601772†		
36-37	UTILITY	6.00 x 20; 6.50 x 20; 30 x 5; 32 x 6	20 x 5	3 3/4"	601898		
37-42	GE, HE, IE, KE, KF, AM, AN, BM, BN	7.00 x 17; 7.50 x 17	17 x 4.33R	1"	602805	597172	
37-46	1 1/2 TON (exc. MT)	6.00 x 20; 6.50 x 20; 30 x 5; 32 x 6	20 x 3.75P	4 1/8"	602541		
39-46	VB, VD, WA, WB, YR, YS, MR, MS, MT, OE, OF, PV, PW, COE	7.50 x 20; 8.25 x 20; 34 x 7	20 x 5.00S	5 1/4"	3651623	2039648	
36-46	UTIL. (exc. RA, RC, MT, O, PI, PK, PL)	7.00 x 20; 7.50 x 20; 32 x 6; 34 x 7	20 x 5.00S	4 3/4"	3652176	2039648	
46	1/2 TON	7.00 x 15; 7.50 x 15	15 x 5.50F	1/2"	3680915	3680918	
46	3/4, 1 TON	7.00 x 17	17 x 5.0	1 1/2"	3681786	3681788	3681790
46-54	1 TON	7.00 x 18	18 x 5.0	4 1/2"	3682064	3682062	3682063
46-54	1 1/2 TON	6.50 x 20; 7.00 x 20	20 x 5.0	4 3/4"	3682076	3696716	3682080
46-53	2 TON						
53-54	1 1/2 TON (exc. SBC)	7.00 x 20; 7.50 x 20; 8.25 x 20	20 x 6.0	5 3/8"	3682082	3696716	3697364
47-54	3/4, 1 TON	7.00 x 17; 7.50 x 17	17 x 5.0	3/2"	3684454	3681788	3681790
47-54	3/4 TON	7.00 x 15; 7.50 x 15	15 x 5.50F	1/4"	3704082	3680918	
48-53	2 TON	8.25 x 20; 9.00 x 20	20 x 6.5	5 5/8"	3696712	3696716	3704948
51-53	2 TON						
53	1 1/2 TON (hvy. duty)	7.50 x 20; 8.25 x 20	20 x 6.0	5 3/8"	3696012		3693385
54	2 TON	7.00 x 20; 7.50 x 20; 8.25 x 20	20 x 6.0	5 3/8"	3703878	3696716	3697364
54	2 TON	7.50 x 20; 8.25 x 20	20 x 6.0	5 3/8"	3703874		3693385
54	2 TON	8.25 x 20	20 x 6.5	5 3/8"	3705226	3696716	

†NOTE: Also shown in PASSENGER, 1/2 TON WHEEL DATA.

**\*WHEEL, Front or Rear (Not Serviced)**

\*NOTE: The following Wheel Assemblies are not serviced and are shown only for Clamp Ring model usage.

	Model Application	Tire Size	Wheel Size	Off-set	Part No.	Clamp Ring (Grp. 5.839)	Side Ring (Grp. 5.839)
31-35	UTILITY	7.00 x 20; 32 x 6	20 x 6	3 1/4"	379841	379750	
34-35	PE, PD, QA, QB	7.00 x 20; 32 x 6	20 x 6	4"	379842	379750	
36	RA, RC	7.00 x 20; 32 x 6	20 x 6	3 1/4"	602012	379750	
36-42	UTIL. (exc. SBC)	9.00 x 18; 32 x 7	18 x 5.00S	2 3/8"	604590	477497	
36-46	1 1/2 TON (exc. RA, RC, MT)	7.00 x 20; 7.50 x 20; 32 x 6	20 x 4.33R	4 1/2"	602542	379750	
37-40	SA, SC, TA, TC, VA, VC, WA, WB, WD, WE, WF	9.00 x 18; 32 x 7	18 x 7	2 3/8"	602024		
48-50	2 TON (exc. SBC)	8.25 x 20; 9.00 x 20	20 x 6.00T	5 1/2"	3686852	3665070	
48-51	2 TON (exc. SBC)	8.25 x 20; 9.00 x 20	20 x 6.5	5 5/8"	3695970	3695978	3695974
51-52	2 TON	7.50 x 20; 8.25 x 20	20 x 6.0	5 5/8"	3693380		3693385

**5.806 HUB, Rear Wheel**

29	AC.....	disc and wire wheel (forged 346429)....	354614	2	2.85
30-32	AD, AE, B.....	disc and wire wheel (outer end shaft hole 1.033 I.D.) (forged 365539).....	358016	2	2.85
31-33	M, N, O.....	dual or single wheel (forged 367018)....	367018	2	6.42
32	B.....	wire wheel (outer end shaft hole 1.127 I.D.) (forged 369559).....	369559	2	2.85
34-35	P, Q.....	single or dual (forged 374448).....	374448	2	7.58
36-39	UTILITY.....		607408	2	10.88
39-41	2-SPEED.....	(axle shaft bolt holes $\frac{1}{16}$ —14 threads)....	608009	2	10.88
40-50	UTILITY.....	splined type (forged hub) (use 3682389 Bolt).....	3685195*	2	11.75
41-42	2-SPEED.....	(use 5238559 Hub Bolt) (cast 3688100),			
46	2-SPEED.....	(use 3682153 Hub Bolt) (cast hub).....	3688100†	2	11.75
46-54	$\frac{3}{4}$ , 1 TON.....	(cast iron hub— $\frac{7}{8}$ flange) (axle shaft bolt holes $\frac{1}{2}$ —13 threads).....	3697044§	2	13.12
51-53	UTILITY.....	splined type (cast iron hub— $\frac{59}{64}$ flange)			
54	1 $\frac{1}{2}$ TON.....	(three $\frac{5}{16}$ —18 tapped holes).....	3697042⊕	2	14.17
54	2 TON.....	splined type (malleable iron hub— $\frac{59}{64}$ flange) (stmp'd. 3702299).....	3702299‡	2	14.25

\*NOTE: Use only w/Hypoid Gear Type 2-SPD. AXLE in 1946.

When replacing one bolted type hub w/one spline type hub 3685195 replace axle shaft together with 1—3689081 Conversion Kit.

†NOTE: 3688100 to be used only w/Spur Gear Type 2-SPD. Axle.

§NOTE: 3697045 Bolt ( $\frac{1}{2}$ —20 x 2) must be used with 3697044 Hub.

⊕NOTE: 3697043 Bolt ( $\frac{3}{8}$ —18 x 3 $\frac{1}{16}$ ) must be used with 3697042 Hub.

‡NOTE: 3705785 Bolt ( $\frac{5}{8}$ —18 x 2 $\frac{3}{16}$ ) must be used w/3702299 Hub.

**KIT, Rear Wheel Hub Conversion**

40-47	UTILITY (exc. 2-SPD.),				
46-47	2-SPEED (w/hypoid gears).....		3689081‡	2	2.36

‡NOTE: 3689081 consists of: 1 Spacer, 1 Cap, 1 Gasket, 1 Seal, 5 Bolts, and 5 Washers.

**5.809 DRUM ASSY., Brake, Front and Rear**

29	AC.....	rear disc and wire wheel.....	346430	2	3.19
29-30	LQ, LR.....	rear disc wheel.....	354629	2	5.50
31-40	UTILITY (exc. COE).....	rear wheel.....	377964	2	12.66
35	EC.....	front or rear wheel.....	378812	4	3.59
38-40	UTILITY (exc. COE).....	front wheel.....	377825	2	7.53
36-39	FA, GA, HA, JA.....	front wheel,			
36-39	PASS., $\frac{1}{2}$ TON (exc. FC).....	rear wheel,			
37-42	GD, HD, JD, KD, AL, BL.....	rear wheel,			
40-48	PASS.....	front and rear wheel,			
40-50	$\frac{1}{2}$ TON.....	rear wheel.....	601985	2	7.43
36	FC.....	front wheel.....	601984	2	3.59
36	FC.....	rear wheel.....	602103	2	3.59
36-40	FD, GB, HB, JB, KB,				
36-42	COMM.,				
46-50	$\frac{1}{2}$ TON.....	front wheel.....	602432	2	7.43
37-42	GE, HE, JE, KE, KF, AM, AN, BM, BN.....	rear wheel.....	602823	2	11.64
39-40	WB, WC, COE (hvy. duty on WB, WC)...	front wheel.....	603651	2	9.64
39-40	COE.....	rear wheel (also used on V, W, with cast iron drums).....	603688	2	17.36
41-50	UTILITY.....		604718	2	12.66
40-52	UTIL. (exc. WA) (hvy. dty. on WB, WC).	front.....			
40	WA, WB, WC.....	front wheel (cast iron) (not used with heavy duty front axles).....	603747*	2	9.64

\*NOTE: 603747 can not be used in place of 603651 because of the  $\frac{15}{16}$  difference in offset.

When using 603747 in place of pressed steel drums, brake shoe facings 605379 must be used.

46	DS (w/sgl. rear wheels).....	front wheel.....	609772	2	9.84
46	DS (w/dual rear wheels).....	front wheel.....	609771	2	9.84
46	DR.....	front wheel.....	609779	2	9.09
46-52	$\frac{3}{4}$ TON.....	rear wheel.....	609807	2	9.84
46-52	1 TON.....	rear wheel.....	609808	2	13.50
47-52	$\frac{3}{4}$ TON (exc. D-D).....	front wheel.....	3847128	2	7.98
47-52	1 TON, D-D (w/sgl. rear wheels).....	front wheel.....	3847129	2	9.64

47-52	1 TON (w/dual rear wheels)	front wheel (daub of white paint on web)	3847698	2	9.84
49-50	PASS.	front and rear wheel	3690338	4	7.16
51-54	PASS.	front and rear wheel	3696213	4	7.16
51-54	½ TON	front and rear wheel	3696268	4	7.43
51-53	UTILITY,				
54	1½ TON	rear wheel	3696522	2	17.34
51-54	ALL (w/prop. shaft brake)	parking	591614	1	(5.610)
53-54	¾ TON	rear wheel	3703638	2	9.84
53-54	¾, 1 TON	front wheel	3703614	2	9.84
53-54	1 TON	rear wheel	3703637	2	13.50
53-54	UTILITY	front wheel	3703616	2	12.66
54	2 TON	rear wheel (cast 3707510)	3707510	2	17.35

### 5.810 SHIELD—NUT—SPRING—COVER, Brake Drum

41-50	UTILITY	rear	3696191	1	2.70
40-52	PASS., ½ TON,				
41-42	¾, 1 TON	NUT, retaining (¾—20 speed nut)	3656898	4	.06
36-54	PASS.	SPRING (32¾ free length)	3694290	2	.53
36-39	FA, G, H, J	COVER, adjusting hole	476143	2	.02

### 5.811 SPACER—GASKET, Front and Rear Wheel Hub or Drum

33-35	O, P, Q	rear wheel hub w/stud and nuts (3⅞ I.D. x 9¼ O.D.—20 holes)	601125	2	8.54
36-37	R, SB, SD	rear wheel hub (4¾ I.D. x 9¼ O.D. x 1⅜ thick) 10 holes	475293	2	5.92
51-53	2 TON	front wheel (4⅞ I.D. x 8⅞ O.D. x ½ thick—5 holes)	3697154	2	.68
36-48	PASS. (exc. FD, FC, GB, HB, JB)	GASKET, front brake drum (4⅞ I.D. x 6⅞ O.D.)	476518	2	.06
51-54	½ TON	GASKET, rear hub with ½ axle bolts	604360	2	.12
36-40	R, S, T, V, W (2 speed axle only on W)				
36-42	PASS., COMM. (exc. FC)				
46-48	PASS.	GASKET, rear brake drum (4⅞ I.D. x 6⅞ O.D.)	476516	2	.06
46-54	½ TON	GASKET, rear hub with ½ axle bolts	3653928*	2	.22
40-47	UTILITY	GASKET, rear hub ½ axle bolts (2¾ I.D. x 4⅞ O.D.)	3680995	2	.12
46-54	¾, 1 TON	GASKET, brake drum (3⅞ I.D. x 5⅞ O.D.)	3687628	4	.06

\*NOTE: Not used w/splined type shaft and hub.

### 5.812 BOLT—STUD, Hub (Front and Rear)

#### BOLT, Front Hub

29-35	AC, AD, AE, CC, LR, LS, LT, DC, EC	hub (disc and wire wheel)	354620†	24	.20
30-40	UTILITY (exc. COE, LR, M)	drum	359506	12	.20
30-32	AE, BA, BB, LS, LT				
36-40	F, G, H, J, K (exc. FA, GA, HA, JA, KA, KH)				
41-42	COMM.				
46-50	½ TON	hub	370465†	12	.18
30-42	UTILITY (exc. LR)	hub	3683850	10	.20
33-35	CA, CB, DA, DB, EA, ED	hub	370972	12	.20
36-54	PASS. (exc. FD, FC, GB, HB, JB)				
51-54	½ TON	hub	476515	A.R.	.18
39	COE				
40-54	UTILITY (exc. WA) (hvy. duty WB, WC)	drum	3650739	12	.20
46-54	1 TON	hub (use w/7.00 x 18—8-ply tires)	3680865	16	.20
46-54	¾, 1 TON (w/spl. rear wheels)	hub	3690899†	16	.20
46-54	1 TON (w/dual rear wheels)	drum (use w/7.00 x 18—8-ply tires)	3681333	16	.20
46-53	UTILITY (exc. O)	hub	3682387	10	.25
54	UTILITY	hub	3705783	10	.25

†Also listed in rear hub section of this group.

#### BOLT, Rear Hub

NOTE: (front) shown in column at right indicates part is also used as Front Hub Bolt.

29-35	AC, AD, AE, B, CC, DC, EC	hub (disc and wire wheel)	354620	24	(front)
30-31	LS, LT	hub (dual wheel)	359427	20	.22
30-31	LS, LT	hub (32 x 6—10-ply tire)	359769	20	.22
31-40	UTILITY (exc. COE)	hub	367017	20	.22
33-35	CA, CB, DA, DE, EA, EB, ED	hub	370465	12	(front)

36-41	TA, TB, FD, G, H, I, K, AL, AM, AN.....
36-42	PASS., COMM. (exc. FB),
46-54	PASS., 1/2 TON.....
36-46	UTILITY.....
39-46	UTILITY (Reg. Prod.).....
39-40	VB, VD, WA, WB (2-SPD.).....
39-40	VB, VD, WA, WB (2-SPD.).....
39-42	VI, VH, VN, WD, WE, WI, Y, M.....
46-54	1/4, 1 TON (w/sgl rear wheels).....
46-54	1/4, 1 TON (w/sgl rear wheels).....
46-54	1 TON (w/dual wheels).....
46-50	UTILITY (exc. O).....
46-50	UTILITY (exc. O).....
51-54	1 TON (w/dual wheels).....
51-53	UTILITY.....
51-53	UTILITY.....
54	UTILITY.....

drum.....	476699	4	.02
hub.....	375696	12	.18
(used w/hubs having flg. thickness of 2 1/2			
on reg. prod. axles and w/hubs having			
flg. thickness of 2 1/2 on 2-SPD. and hvy.			
duty axles).....	5238599	20	.25
hub (used on VA, VB, VC, VD, WA, WB,			
WC, w/cast iron brake drums).....	598508	20	.22
(used w/hubs having flg. thickness of 2 1/2)	608011	20	.22
(used w/hubs having flg. thickness of 2 1/2)	3651366	20	.22
(used w/hubs having flg. thickness of 2 1/2			
on 2-SPD. and hvy. duty axles).....	3668105	20	.22
hub (use w/forged hub having 5/8 flange)	3680899	16	(front)
hub (use w/cast hub having 3/8 flange)..	3697045	16	.20
hub (use w/forged hub having 5/8 flange)	3680991	16	.20
(used w/cast hub).....	3682153	20	.30
(used w/forged hub).....	3682389	20	.30
hub (use w/cast hub having 3/8 flange)...	3697734	16	.24
hub (use w/forged hub having 6/8 flange)	3694508	20	.30
hub (use w/cast hub having 5/8 flange)..	3697043	20	.30
hub (use w/malleable hub having 5/8			
flange).....	3705785	20	.30

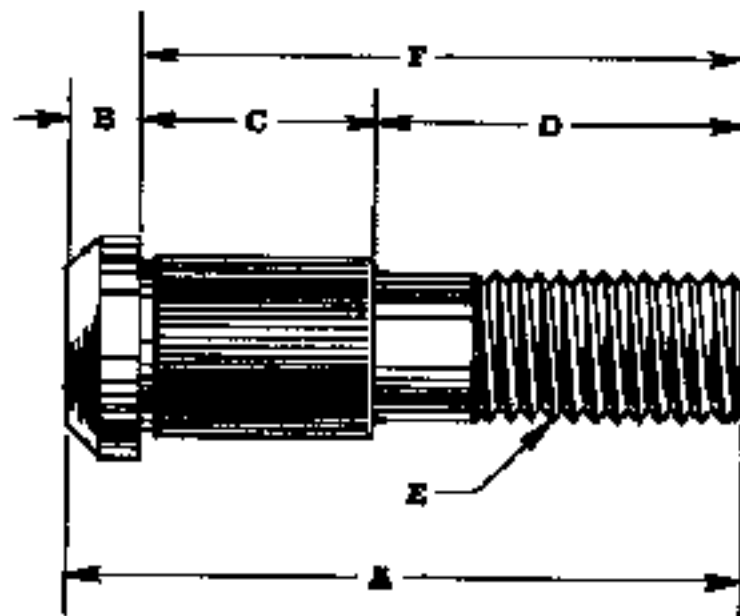
**STUD, Spacer**

33-37	UTILITY.....
36	UTILITY.....

rear wheel hub (5/16 x 1 3/8).....	372077	20	.22
rear wheel hub (5/16 x 2 1/8).....	602042	20	.22

**HUB BOLT CHART**

Part No.	A	B	C	D	E	F
354820	1 1/2	15/64	25/64	25/64	1/16-20	1 1/4
359427	3 1/4	17/64	1 13/64	1 85/64	9/16-18	2 3/8
359508	1 25/64	15/64	9/16	3/4	1/2-20	1 5/8
359769	3 61/64	17/64	1 11/64	2 35/64	9/16-18	3 1/16
367017	2 21/32	9/32	51/32	1 13/32	9/16-18	2 3/8
370465	1 17/32	15/64	27/64	25/32	7/16-20	1 19/64
370972	1 39/64	15/64	21/32	25/32	7/16-20	1 3/8
375696	1 35/64	15/64	25/64	59/64	7/16-20	1 5/8
476515	1 39/64	15/64	25/64	59/64	7/16-20	1 3/8
476699	2 1/8	9/32	25/64	25/64	9/16-18	2 1/8
598508	2 9/16	9/32	7/8	1 15/16	9/16-18	2 9/16
608011	3 8/16	9/32	1 7/16	1 11/16	9/16-18	2 3/4
3650739	1 21/64	15/64	1 1/2	3/4	7/16-20	1 1/4
3651366	2 11/16	9/32	2 1/2	1 11/16	9/16-18	2 3/4
3668105	3 1/8	9/32	1 1/8	1 21/16	9/16-18	2 3/4
3680865	1 21/64	15/64	7/16	1 1/8	1/2-20	1 3/8
3680899	1 19/64	15/64	11/16	1 1/8	1/2-20	1 3/8
3680991	2 21/64	15/64	43/64	1 37/64	1/2-20	2 3/8
3681333	1 11/64	15/64	1/2	3/4	1/2-20	1 1/4
3682153	3 21/64	9/32	1 5/16	1 21/64	5/8-18	3 3/8
3682387	2 19/64	9/32	3/16	1 39/64	5/8-18	2 3/4
3682389	3 5/16	9/32	29/32	1 29/32	5/8-18	2 13/16
3683850	2 1/2	9/32	7/16	1 5/16	5/16-18	1 3/4
3694508	3 1/8	9/32	3/4	2 3/16	5/8-18	2 15/16
3697043	3 1/2	9/32	1	2 3/16	5/8-18	3 3/8
3697045	2 15/64	15/64	15/16	1 1/8	1/2-20	2
3697734	2 47/64	15/64	1 9/16	1 9/16	1/2-20	2 1/8
3705783	1 21/32	9/32	3/16	1 1/8	5/8-18	1 11/16
3705785	3 1/8	9/32	1	1 3/4	5/8-18	2 37/32
5238599	2 13/16	9/32	7/8	1 21/16	9/16-18	2 17/16



**5.813 NUT, Hub Bolt—Front and Rear**

29-42	PASS., COMM.,
46-54	PASS., 1/2 TON.....
31-36	ALL.....
30-46	UTILITY (exc. LR).....
46-54	1/4, 1 TON (w/sgl wheels).....
46-49	COMM. (w/dual wheels).....
46-53	UTILITY.....
54	UTILITY.....

wheel hub bolt,					
wire wheel mounting bolt (3/8-20).....	358501	A.R.	.11		
hub, front (5/8-18 thick).....	143417	A.R. (8.915)			
(1/2-20).....	3690920	32	.09		
(1/2-20).....	120371	32 (8.915)			
wheel hub bolt (5/8-18).....	373912	A.R.	.08		
lock (5/8-18).....	3708442	30	.15		



### 5.815 DEFLECTOR, Rear Wheel Hub and Drum

34-36	PASS. (exc. DC, EC, FC),				
34-42	COMM.,				
46-54	1/2 TON.....	rear brake drum oil.....	378548	2	.33
36	FC.....	rear brake drum oil.....	474953	2	.25
36-50	UTILITY.....	rear wheel.....	473632	2	.77
37-48	PASS.....	rear brake drum oil (3 1/16 I.D. x 6 3/8 O.D.)..	593253	2	.38
46-54	3/4, 1 TON.....	rear hub.....	3680992	2	.77
49-54	PASS.....	rear brake drum oil (4 3/4 I.D. x 5 1/8 O.D.)..	3687775	2	.38
51-53	UTILITY,				
54	1 1/2 TON.....	rear hub oil (5 1/16 I.D. x 8 29/32 O.D.).....	3697705	2	.82
54	2 TON.....	rear hub oil (5 1/16 I.D. x 8 29/32 O.D.).....	3702291	2	.82

### 5.816 RETAINER—RING, Rear Axle Shaft Bearing

30-33	L, M, N, O.....	with felt, bearing.....	359326	2	.93
30-32	AD, AE, BA, BB.....	with felt, axle shaft bearing (not sold sep- arately).....	369498	2	1.10
32	BA, BB.....	with felt, assy., axle shaft bearing.....	369561	2	1.10
33-42	COMM., CA, DA, EA, ED, FA, FD,				
46-54	1/2 TON.....	inner, axle shaft bearing.....	370251	2	.08
33-54	PASS. (exc. CA, DA, EA, ED, FA, FD)....	inner, axle shaft bearing.....	472521	2	.08
34-38	P, Q.....	with felt, assy., bearing.....	374617	2	1.10
36-53	UTILITY,				
54	1 1/2 TON.....	RING, rear hub bearing retaining.....	594324	2	.12
46-54	3/4, 1 TON.....	RING, rear hub bearing retaining.....	3663672	2	.12
54	2 TON.....	RING, rear hub bearing retaining.....	3703709	2	.20

### 5.819 GASKET, Wheel Hub and Drum Oil Deflector, Front and Rear

29-32	ALL,				
34-35	PASS. (exc. DC, EC).....	front and rear,			
34-40	UTILITY, GC (exc. S, COE).....	front,			
34-42	COMM., S (exc. EB, GC),				
36-48	PASS. (exc. FC),				
46-54	1/2 TON.....	rear brake drum (4 1/2 I.D. x 6 3/8 O.D.)... ..	365673	A.R.	.06
30-50	UTILITY (exc. LB).....	rear, disc and dual wheel hub oil outer deflector (6 1/8 I.D. x 8 1/4 O.D.).....	359428	2	.06
30-32	AD, AE, BA, BB.....	axle shaft bearing retainer (paper).....	357970	2	.03
33	ALL,				
34-40	D, E, F, GB, HB, JB, KB (exc. DC, EC, FC),				
37-42	COMM.,				
46-50	1/2 TON.....	front, oil deflector (4 1/2 I.D. x 4 11/16 O.D.)..	370959	2	.06
36-39	FA, GA, HA, JA.....	front brake drum oil deflector (4 1/2 I.D. x 6 3/8 O.D.) (has 3 holes 3/8 diameter and 7 holes 1 1/8 diameter).....	476124	2	.06
40-48	PASS.....				
51-54	1/2 TON.....				
39-40	WB, WC, COE (hvy. duty on WB, WC),				
41-54	UTILITY.....	front brake drum.....	3650740	2	.06
46-54	3/4, 1 TON (exc. DR).....	frt. brk. drum oil deflector (5 1/2 I.D.—8 holes).....	3681204	2	.10
49-54	PASS.....	frt. and rear, brake drum oil deflector (3 7/8 I.D. x 5 1/8 O.D.).....	3687627	4	.07

### 5.820 RING, Rear Wheel Hub Clamp

36-46	UTILITY (exc. PJ, PK, PL).....	(8 1/8 O.D. 1 9/32 dia. bolt holes; use w/ 9/16 dia. hub bolts).....	475068	A.R.	1.18
46-54	1 TON.....	(2 3/4 I.D. x 8 1/8 O.D.).....	3680931	A.R.	1.18
46-53	UTILITY.....	(2 1/2 dia. holes, use w/ 5/8 dia. hub bolts)..	3682391	A.R.	1.18

### 5.822 FELT—PACKING—SEAL, Rear Axle Shaft Bearing or Hub

29	LQ.....	bearing (1 3/8 I.D.).....	345770	2	.16
29-32	AC, AD, AE, BA, BB.....	axle shaft bearing.....	344072	2	.16
29-31	AC, AD, AE.....	PACKING, axle shaft bearing, with retainer..	344282	2	.48
30-33	LS, M, N, O.....	PACKING, axle shaft bearing, with retainer..	359526	2	1.02
32	BA, BB.....	PACKING, with spring and retainer, bearing.	367508	2	1.02

33-36	PASS., COMM. (exc. CC, DC, EC, FC),				
37-42	COMM.,				
46-54	1/2 TON.....	SEAL, axle shaft oil—two leathers.....	592441	2	1.50
33-36	CC, DC, EC, FC,				
37-54	PASS.....	SEAL, axle shaft oil.....	3663166	2	.90
34-35	P, Q.....	SEAL, inner, axle shaft oil.....	374601	2	1.08
36	R.....	SEAL, rear wheel hub oil.....	473619	2	.88
36	R.....	SEAL, axle shaft oil.....	473546	2	1.42
37-47	UTILITY.....	SEAL, rear wheel hub oil.....	3681195*	2	1.95
46-54	3/4, 1 TON.....	SEAL, rear wheel hub inner bearing oil.....	3686563	2	1.50
47-53	UTILITY,				
54	1 1/2 TON.....	SEAL, rear hub oil (3 1/8 I.D. x 4 5/8 O.D.).....	3686530†	2	1.95
54	2 TON.....	SEAL, rear wheel hub oil (3 5/8 I.D. x 4 1/2 O.D.)	3702255	2	2.50
54	2 TON.....	SEAL "O" RING, rear hsg. inner brg. race (rubber 2 3/8 I.D. x 3 1/8 O.D.).....	3708819	2	.65

\*NOTE: 3681195 not used w/splined type shaft and hub.

†NOTE: 3686530 used w/splined type shaft and hub.

#### 5.829 NUT, Axle Shaft Bearing Retainer

29-31	AC, AD, AE.....		344280	2	.38
30-33	LS, M, N, O.....		359310	2	.42
32	BA, BB.....		367517	2	.42

#### NUT, Rear Wheel Hub Adjusting

36-53	UTILITY,				
54	1 1/2 TON.....	inner and outer.....	473636	4	.64
46-54	3/4, 1 TON.....	inner and outer.....	3663657	4	.64
54	2 TON.....	(2 1/8 I.D. x 3 5/8 O.D. w/6 slots).....	3703711	4	.80

#### 5.830 LOCK—WASHER, Axle Shaft or Wheel Hub Nut

29-31	AC, AD, AE.....	axle shaft bearing retainer, nut.....	344281	2	.12
32	BA, BB.....	axle shaft bearing retainer, nut.....	367515	2	.14
36-53	UTILITY,				
54	1 1/2 TON.....	rear wheel hub nut.....	473629	2	.14
46-54	3/4, 1 TON.....	rear wheel hub nut.....	3663659	2	.14
54	2 TON.....	rear wheel hub nut (2 1/2 I.D. w/11 lugs).....	3703703	2	.14
36-53	UTILITY,				
54	1 1/2 TON.....	WASHER, rear wheel hub nut.....	473628	2	.12
46-54	3/4, 1 TON.....	WASHER, rear wheel hub nut.....	3663658	2	.12
54	2 TON.....	WASHER, rear (2 1/2 I.D. x 3 1/8 O.D.—steel).....	3703704	2	.14

#### 5.835 NUT, Demountable Rim

29-31	AC, AD, AE, L, M.....	(3/8—20).....	164379	1	.06
-------	-----------------------	---------------	--------	---	-----

#### 5.839 RING, Tire Rim Locking

31-46	UTILITY (exc. RA, RC, MT, 2 TON).....	rim clamp (20 x 4.33R) (use w/wheel assy. 379841, 379842, 602542).....	379750	A.R.	3.37
36-42	RA, RC, SA, SC, TA, TC, VA, VC, WA, WB, WD, WE, WF, Y, M (exc. MY, MT, YT).....	rim clamp (18 x 5.00S) (use w/wheel assy. 604590).....	477497	A.R.	3.08
37-42	GE, HE, JE, KE, KF, AM, AN, BM, BN.....	rim clamp (17 x 4.33R) (use w/wheel assy. 602805).....	597172	A.R.	2.87
39-46	UTILITY (exc. P).....	rim clamp (20 x 5.00S) (use w/wheel assy. 3651623, 3652176).....	2039648	A.R.	4.56
46-52	1 1/2 TON (exc. SBC).....				
46-54	1/2, 3/4 TON.....	rim clamp (15 x 5.50F) (use w/wheel assy. 3680915, 3704082, 3704088).....	3680918	A.R.	2.28
46-54	3/4, 1 TON.....	rim clamp (17 x 5.0) (use w/wheel assy. 3681786, 3684454).....	3681788	A.R.	1.52
46-54	3/4, 1 TON.....	rim side (17 x 5.0) (use w/wheel assy. 3681786, 3684454).....	3681790	A.R.	4.33
46-54	1 TON.....	rim clamp (18 x 5.0) (use w/wheel assy. 3682064).....	3682062	A.R.	1.57
46-54	1 TON.....	rim side (18 x 5.0) (use w/wheel assy. 3682064).....	3682063	A.R.	4.33
46-54	UTILITY (exc. O).....	rim clamp (use w/wheel assy. 3682076, 3682082, 3696712).....	3696716	A.R.	1.73

46-54	1½ TON.....	rim side (20 x 5.0) (use w/wheel assy. 3682076).....	3682080	A.R.	4.55
46-54	2 TON.....	rim side (20 x 6.0) (use w/wheel assy. 3682082, 3696012).....	3697364	A.R.	5.15
53-54	1½ TON (hvy. duty).....	rim clamp (20 x 5.00T) (use w/wheel assy. 3686852).....	3665070	A.R.	8.13
48-50	2 TON (exc. RX, SX, TX).....	rim clamp (20 x 6.5) (use w/wheel assy. 3695970).....	3695975	A.R.	4.33
48-51	2 TON (exc. SBC).....	rim side (20 x 6.5) (use w/wheel assy. 3695970).....	3695974	A.R.	3.57
48-51	2 TON (exc. SBC).....	rim side (20 x 6.0) (use w/wheel assy. 3693380, 3696012).....	3693385	A.R.	4.98
49-54	2 TON.....	rim side (20 x 6.5) (use w/wheel assy. 3696712).....	3704948	A.R.	4.95
53	1½ TON (hvy. duty).....		933526	16	.27
51-54	2 TON.....	CLAMP, demountable rim half.....			
29-31	AC, AD, AE.....				

### 5.855 BEARING—RACE, Axle Shaft

30-33	LS, M, N, O.....	(ND 1101).....	901101	2	16.35
32	BA, BB.....	(ND 1208).....	954493	2	(4.355)
34-35	P, Q.....	(ND 5125).....	954495	2	22.00
36	R.....	assy., rear wheel hub, inner (inner race Hy C12051, outer race Hy 12051 Z).....	144535	2	16.00
36-53	UTILITY,	assy., outer (inner race stamped Hy B11786, outer race Hy 11786 Y).....	144525	2	8.80
54	1½ TON.....	assy., inner (inner race stamped Hy D 12051, outer race Hy 12051 Z).....	144527	2	12.25
37-53	UTILITY,	assy. (Hy OR1512).....	178296	2	5.65
54	1½ TON.....	assy., rear wheel inner (Hy D11786) (Hy 11786 Y).....	188930	2	(5.536)
40-42	¾, 1 TON.....	assy., rear wheel hub outer (Hy B 11630) (Hy 11630 Z).....	188932	2	8.30
46-54	¾, 1 TON.....	assy., rear wheel hub inner (stmp'd. Hy B 12235YK).....	7450320	2	18.70
46-54	¾, 1 TON.....	assy., rear wheel hub outer (stmp'd. Hy KA 11950Z).....	7450323	2	12.30
54	2 TON.....				
54	2 TON.....				
33-36	PASS., COMM. (exc. CC, DC, EC, FC),				
37-39	COMM.,				
40-54	½ TON.....	RACE ASSY., outer, w/roller (Hy OR 1502).....	111121	2	5.65
33-36	PASS., COMM. (exc. CC, DC, EC, FC),				
37-40	COMM. (exc. KD, KE, KF).....	RACE, inner (Hy IR 1502).....	111122	2	1.85
33-36	CC, DC, EC, FC,				
37-41	PASS.....	RACE, inner (stamped Hy IR 1500).....	111120	2	2.20
33-36	CC, DC, EC, FC,				
37-54	PASS.....	RACE ASSY., outer, w/roller (Hy OR 1500).....	111119	2	4.85

### 5.858 CAP, Hub and Grease

30-31	LS, LT.....	front wheel,			
30-35	LS, LT, M, N, O, P, Q.....	rear wheel (hub and grease—2 <sup>5</sup> / <sub>16</sub> O.D.)	359271	2	.56
31-42	UTILITY (exc. COE),				
46-54	1, 1½ TON (exc. SBC, UI, UK, VI, VK, hvy. duty).....	front wheel (hub and grease, 2 <sup>3</sup> / <sub>8</sub> —16 tbd.)	365120	2	.56
33-36	CC, DC, EC, FC.....	wheel hub, grease (1 <sup>1</sup> / <sub>8</sub> O.D.).....	475465	2	.44
33-42	PASS., COMM. (exc. CC, DC, EC, FC, GA, HA),				
46-54	PASS., ½ TON.....	wheel hub, grease (2 <sup>5</sup> / <sub>16</sub> O.D.).....	370262	2	.44
35-38	EA, FA, GA, HA.....	front wheel bearing, grease (2 <sup>5</sup> / <sub>16</sub> O.D.).....	378117	2	.44
37-39	PASS., COMM.....	chrome (9 <sup>1</sup> / <sub>8</sub> O.D.).....	599748	4	2.68
39-40	COE,				
41-42	UTILITY (hvy. duty),				
46-54	SBC, 2 TON,				
48-54	1½ TON (hvy. duty).....	front, hub and grease (4 <sup>1</sup> / <sub>2</sub> O.D.).....	3850731	2	.82
40	K.....	chrome (9 <sup>7</sup> / <sub>8</sub> O.D.).....	3654307	4	2.68
41-48	PASS.,				
41-46	COMM. (exc. DR, DS).....	chrome (9 <sup>7</sup> / <sub>8</sub> O.D.).....	3658374	4	2.68
46-53	¾, 1 TON.....	wheel hub (st. steel) (11 <sup>1</sup> / <sub>8</sub> O.D.).....	3705093	4	3.45
46-54	¾, 1 TON.....	wheel hub, grease (2 <sup>5</sup> / <sub>16</sub> O.D.).....	3680897	2	.44
47-53	½ TON.....	wheel hub (st. steel) (9 <sup>1</sup> / <sub>8</sub> O.D.).....	3705092	4	2.75

47-53	UTILITY,				
54	1½ TON.....	rear hub and grease (plain 4 <sup>33</sup> / <sub>32</sub> O.D.)...	3685198	2	.44
49-50	PASS.....	wheel hub (st. steel) (9 <sup>9</sup> / <sub>16</sub> O.D.).....	3705091	4	2.75
51-53	PASS. (exc. C).....	wheel hub (st. steel) (9 <sup>9</sup> / <sub>16</sub> O.D.).....	3701416	4	2.95
54	PASS. (exc. C).....	wheel hub (st. steel) (10 <sup>11</sup> / <sub>16</sub> O.D.).....	3707030	4	3.45
54	½ TON.....	wheel hub (thistle gray) (9 <sup>3</sup> / <sub>4</sub> O.D.).....	3702898	4	2.45
54	¾, 1 TON.....	wheel hub (thistle gray) (11 <sup>1</sup> / <sub>8</sub> O.D.).....	3702899	4	3.15
54	2 TON.....	rear wheel hub and grease (plain—5 <sup>1</sup> / <sub>8</sub> O.D. w/5 holes 1 <sup>1</sup> / <sub>2</sub> ).....	3703702	2	.70
53-54	PASS.....	wire wheel cover (part of 3707087).....	3707116	4	3.95
53-54	PASS.....	COVER, wire wheel (w/cap).....	3707087	4	20.00
53	BEL AIR.....	COVER, wheel hub (st. steel) (15 <sup>1</sup> / <sub>8</sub> O.D.).....	3698231	4	4.95
54	BEL AIR.....	COVER, wheel hub (st. steel) (15 <sup>1</sup> / <sub>8</sub> O.D.).....	3708308	4	5.65
54	½ TON.....	COVER, wheel hub (part of 986992).....	3708057	A.R.	5.35

**5.864 SPRING, Hub Cap Lock**

36-42	COMM. (exc. KE, KF, AM, AN, BM, BN),				
46-54	½ TON.....	(15 in. wheel).....	594129	30	.03
37-39	PASS., COMM. (exc. JA, JB, JC, JD).....	(with 16 in. wheel),			
41-54	¾, 1 TON (exc. AL, BL).....	(with 17 and 18 in. wheel).....	595648	A.R.	.04
39-53	PASS. (exc. C).....	(w/15 in. wheels),			
39-54	½ TON.....	(w/16 in. wheels).....	3704844	A.R.	.03

**5.866 GASKET, Hub Cap**

39-40	COE,				
41-42	UTILITY (hvy. duty),				
46-54	SBC, 2 TON,				
48-54	1½ TON (hvy. duty).....	front wheel.....	3650732	2	.03
47-53	UTILITY,				
54	1½ TON.....	rear wheel.....	3685199	2	.18
54	2 TON.....	rear wheel (4 I.D. x 5 <sup>1</sup> / <sub>2</sub> O.D.).....	3703706	2	.18

**5.871 RING—COVER, Wheel Side Appearance**

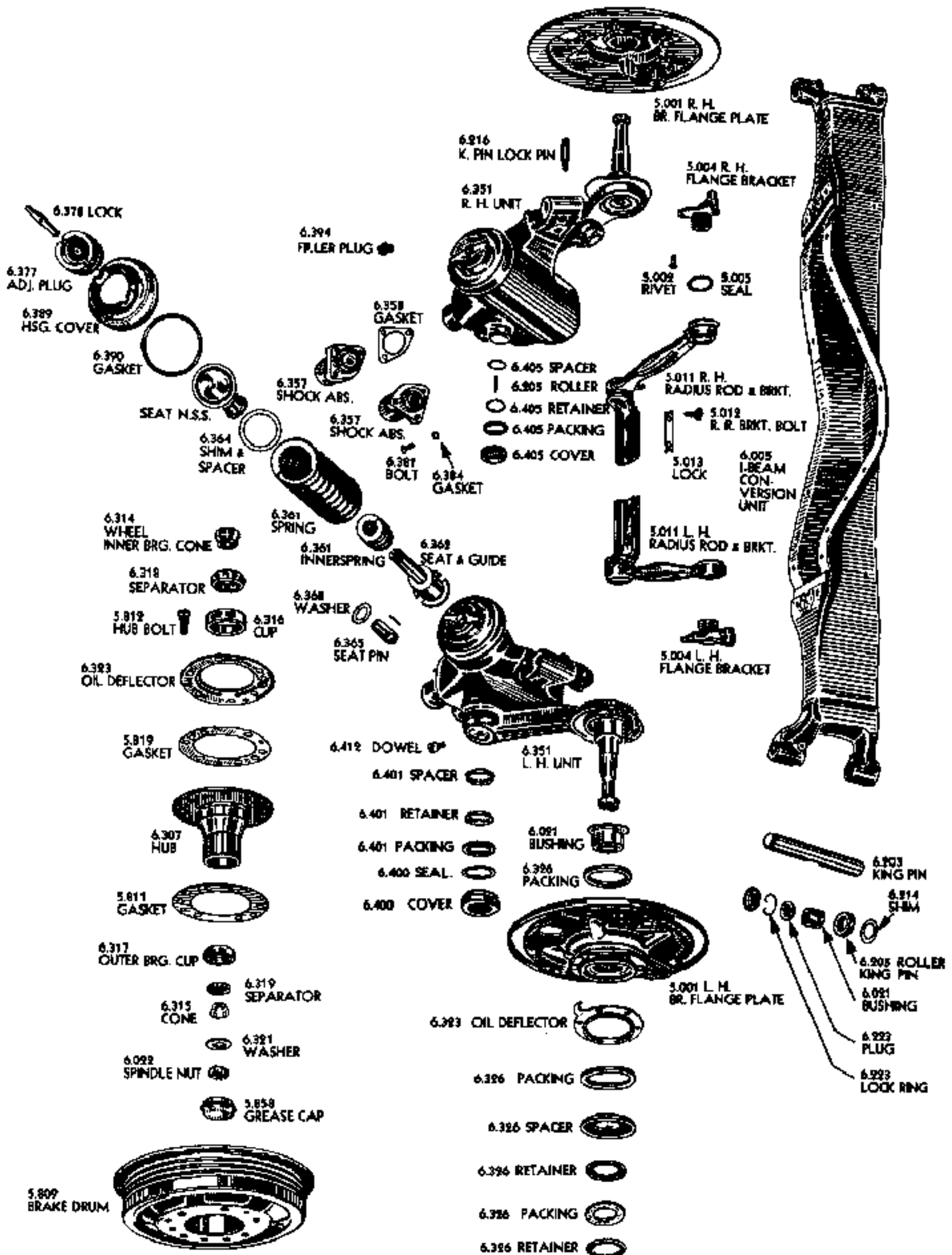
48-53	PASS. (exc. C).....	RING UNIT, wheel (5 chrome 15").....	986258	1	10.75
48-53	PASS. (exc. C).....	RING, wheel (sgl. chrome 15").....	986259	A.R.	2.70
54	PASS. (exc. C).....	RING UNIT, wheel (5—use on 15" K wheels) ..	986906	1	11.75
53	PASS.....	COVER UNIT (set of 4 stainless steel 15").....	986656†	1	
53	PASS.....	COVER, wheel (part of 986656).....	3698231	A.R.	(5.858)
53-54	PASS.....	COVER UNIT, wire wheel (set of 4).....	986908	1	79.50
53-54	PASS.....	COVER, wire wheel (part of 986908).....	3707087	A.R.	(5.858)
54	PASS.....	COVER UNIT (set of 4—st. steel).....	986944	1	22.25
54	PASS.....	COVER, wheel (part of 986944).....	3708308	A.R.	(5.858)
54	½ TON.....	COVER UNIT (set of 4—st. steel 16").....	986992	1	21.25
54	½ TON.....	COVER, wheel (part of 986992).....	3708057	A.R.	(5.858)
53-54	PASS.....	CAP, wire wheel cover (part of 3707087).....	3707116	A.R.	(5.858)

†NOTE: Closeout price applies. See Dealer P&A Price Schedule.

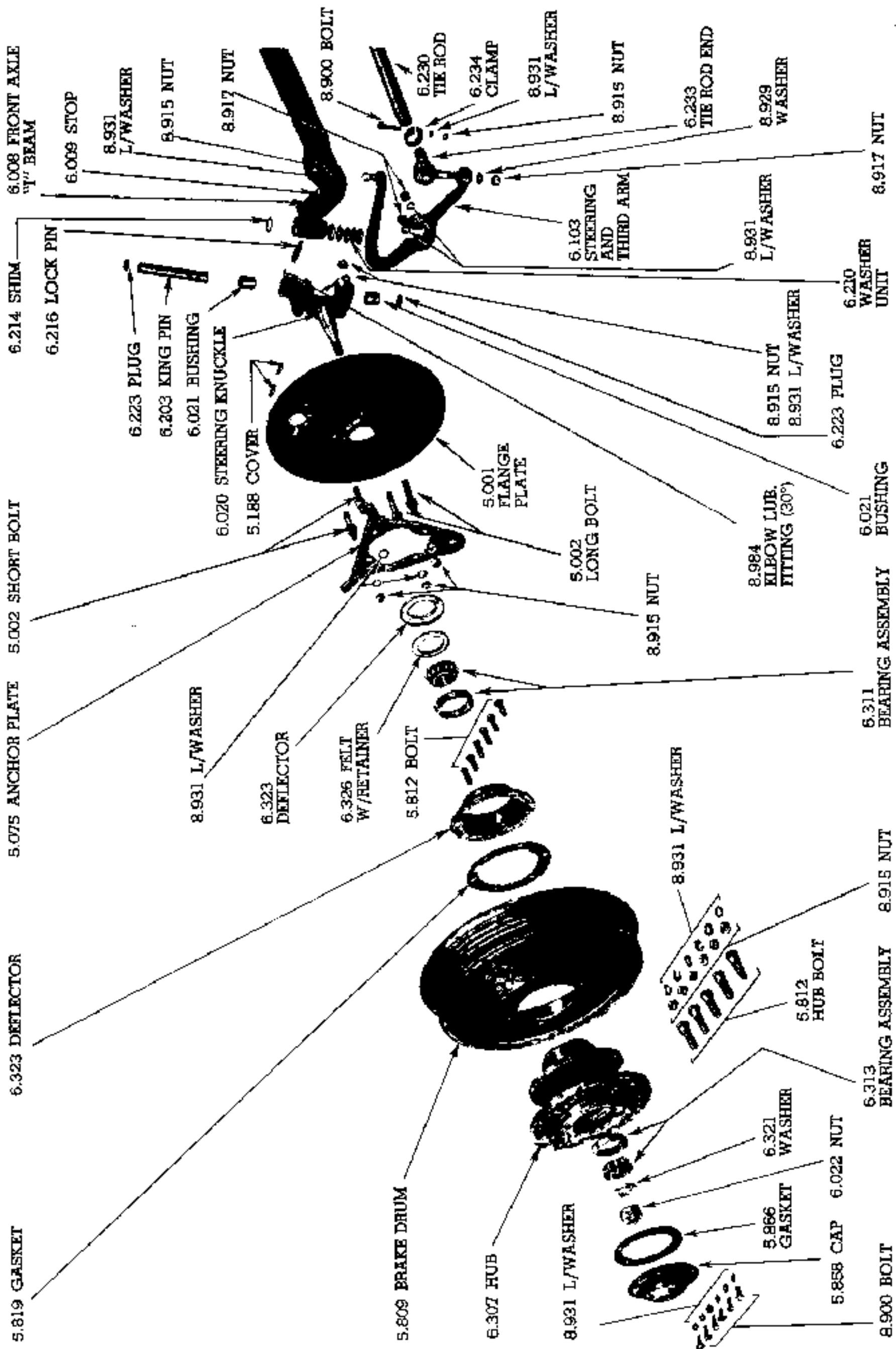
**5.875 CAP, Tire Valve Dust**

35-54	ALL.....		125641	5	.06
-------	----------	--	--------	---	-----



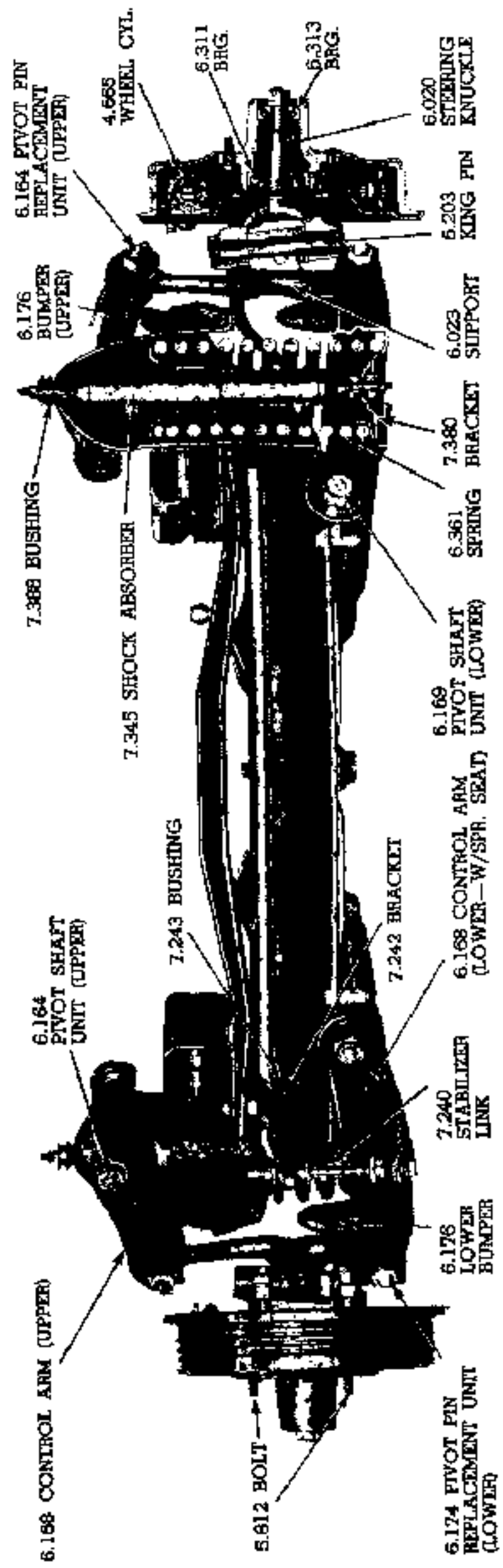
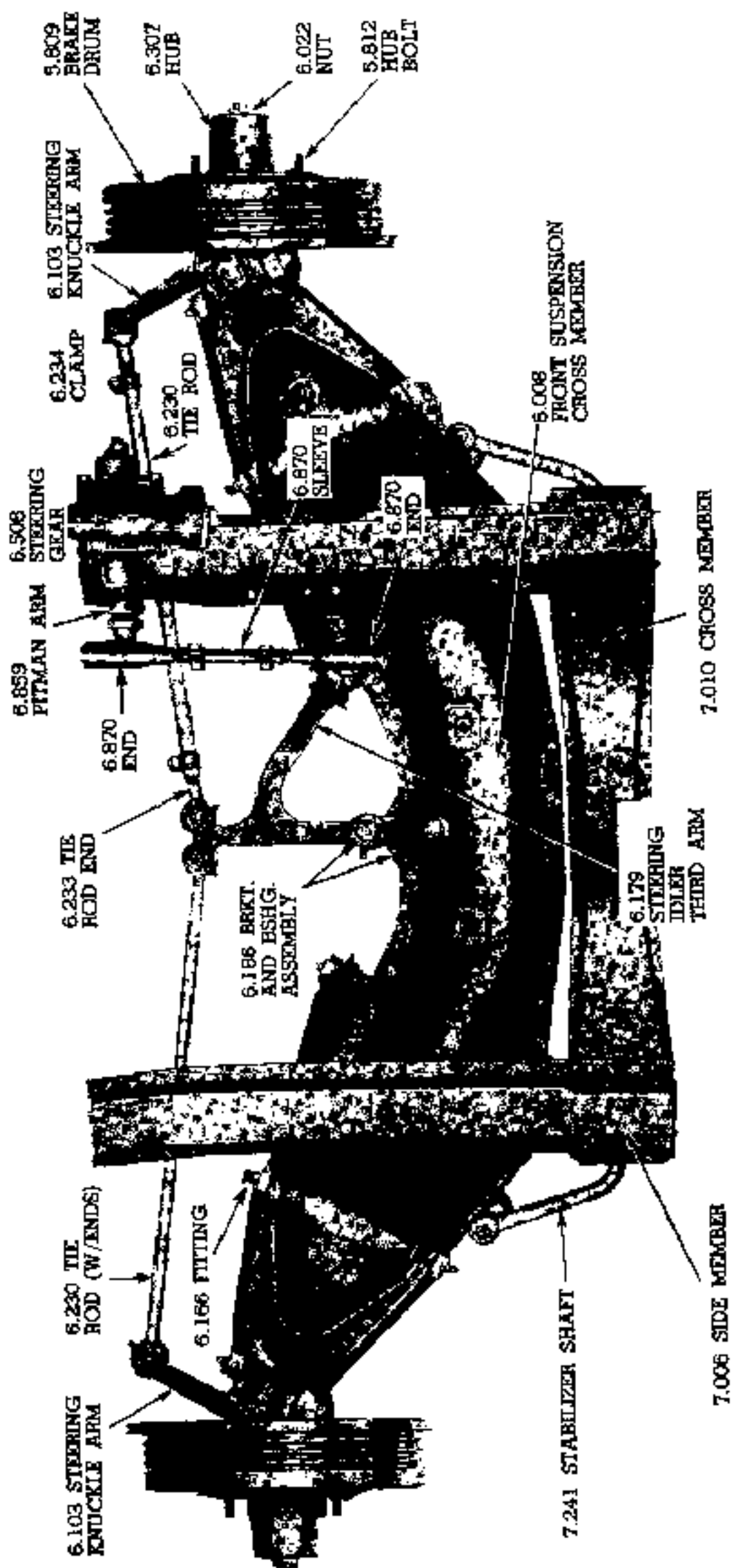


**FRONT AXLE—KNEE ACTION—ENCLOSED TYPE**



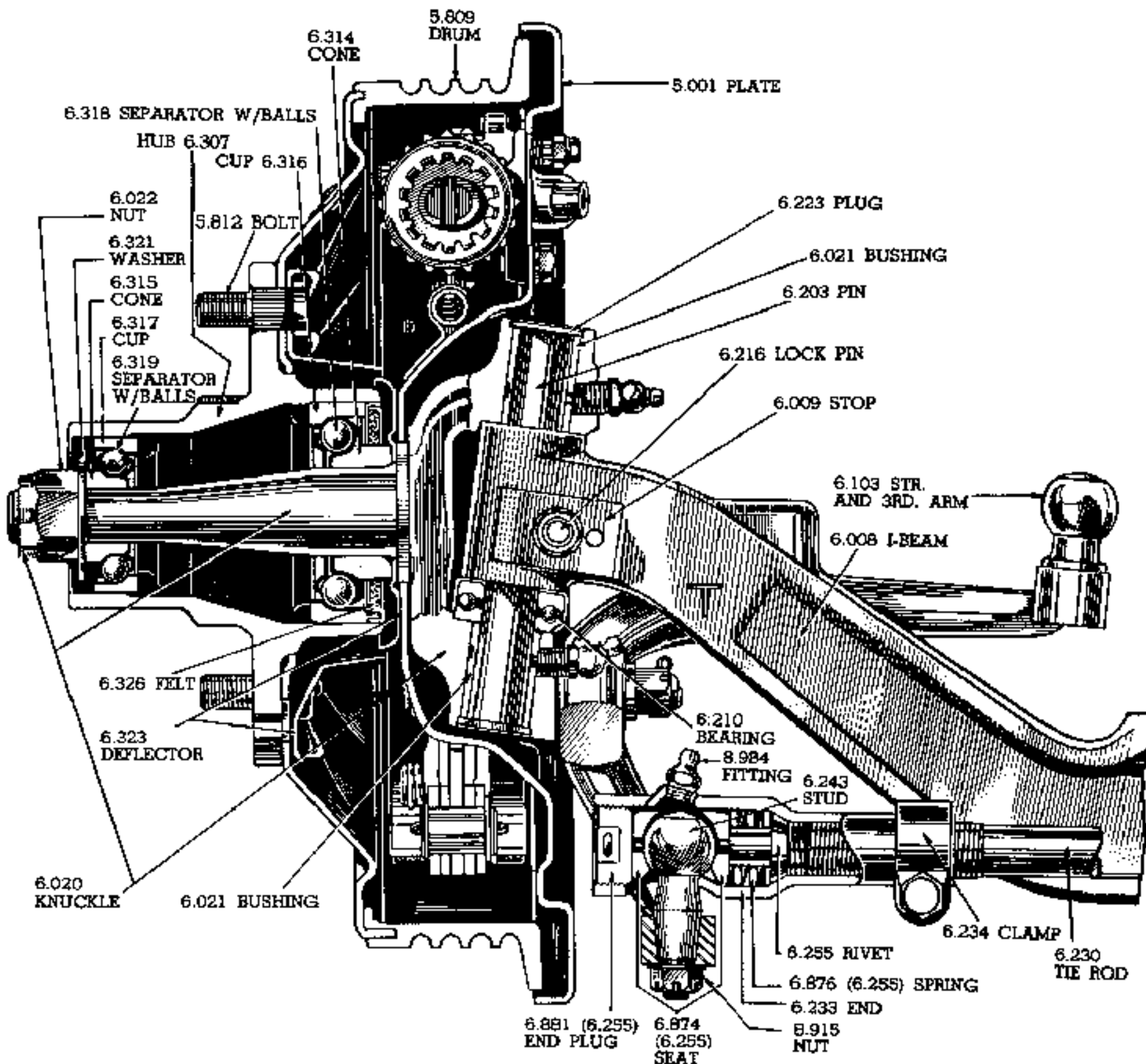
FRONT AXLE—HEAVY DUTY, 2 TON AND COE





**1949-54 PASSENGER—FRONT SUSPENSION**





FRONT AXLE—CONVENTIONAL TRUCK (EXC. HVY. DUTY)

**CHEVROLET MASTER PARTS CATALOG**

YEAR	MODEL	PART NAME	PART NO.	NO. USED	LIST PRICE
<b>6.005 CONVERSION UNIT, Front Suspension</b>					
37-38	GA, HA	(to convert to leaf spring axle)	3847445†	1	110.00
†NOTE: Contains all parts necessary for conversion.					
<b>6.008 "Y" BEAM, Front Axle</b>					
30-33	AD, LR, LS, AE, B, CB	(forged 363743)	363743	1	20.26
31-40	UTILITY (exc. COE)	(U-bolt holes form rectangle, 2 $\frac{3}{8}$ x 2 $\frac{5}{8}$ )			
46-52	$\frac{3}{4}$ TON (exc. D-D)	(forged 3681642) (has dab of green paint)	3680905	1	20.29

33	CA				
34-40	COMM	(forged 370823—8 holes in spg. pad)	370823	1	20.26
34-35	DC, EC	(forged 374635)	374635	1	20.26
35-36	ED, FD	(forged 370823—7 holes in spg. pad)	376879	1	20.26
36	FC	(not marked)	475461	1	20.26
37-40	GB, HB, JB, KB	(forged 3652409)	604118	1	22.85
39-46	COE	(forged 3100Y389-18957)	3651011	1	39.69
40	WB, WC (hvy. duty)	(forged 3100Y389-18768)	3651918*	1	39.69
41-54	½ TON	(forged 3656872) (33¼ offset)	3656872	1	20.29
41-42	AL, AM, BL, BM	(forged 3656525—"L" stmpd. on spg. pad)	3656525	1	20.26
41-42	AN, BN	(forged 3656525—"F" stmpd. on spg. pad)	3657690	1	20.26
41-46	YR, YS, YT, MR, MS, MY, MT, OE, OF, OG, (hvy. duty)	(forged 3100K-193-18776)	3656629*	1	41.86
41-50	1½ TON (exc. COE, SBC, hvy. duty)	("U" bolt holes form square, 2½ x 2½)			
46-52	1 TON (exc. D-D)	(forged 3681642)	3681642*	1	20.29
46	OE, OF, OG, PL, PV, PW, PX	(forged 3681101)	3681101	1	36.46
47-54	COE	(forged 3678186)	3678186	1	36.46
47-50	DUBL-DUTI, SBC, 2 TON (exc. COE)				
51-52	DUBL-DUTI, UTILITY (exc. COE)	(forged 3683214)	3683214	1	36.26
53-54	¾ TON (exc. D-D)	(forged 3698295) (daub of green paint)	3698294	1	21.58
53-54	D-D, SBC, 2 TON (exc. COE)				
53-54	1½ TON (hvy. duty)	(forged 3698182)	3698182	1	36.26
53-54	1, 1½ TON (exc. D-D, SBC, hvy. duty)	(forged 3698295)	3698295	1	21.58

\*NOTE: Heavy duty front axles are special equipment on series WB, WC, YR, YS, MR, MS, OR, OS and may be identified by the front wheel hub cap. This hub cap is attached to the hub with six ¼—20 x ½ hex. hd. bolts on a 3¼ diameter bolt circle.

#### MEMBER, Front Suspension Cross

39	JA		599152	1	20.26
40-48	PASS. (exc. KB)		3661896	1	22.85
49-54	PASS.		3691555	1	26.50

#### 6.009 STOP, Steering Knuckle

29-33	A, B, C				
37-39	GE, HE, JE		355998	2	.23
31-42	UTIL., AM, BM (exc. MY, MS, MY, COE)				
47-54	¾, 1, 1½ TON (exc. D-D, UI, UK, VI, VK, SBC)	(not used with 7.50-20 or 8.25-20 tires)	3653923	2	.23
33-40	CC, DC, EC, ED, FB, FC, FD, GB, GC, GD, HB, HC, HD, IB, IC, ID, KB		472635	2	.23
40	EC, KD		592843	2	.23
40	KE, KF		597151	2	.23
41-54	½ TON, AL, BL		3656527	2	.23
41-42	AN, BN		3656528	2	.23
46	COE				
47-54	D-D, UI, UK, VI, VK, SBC, 2 TON				
48-54	1½ TON (hvy. duty)	(cupped edges)	3678194	2	.23
46	SBC, 2 TON (exc. COE)				
46-54	COE (w/8.25-20 tires)	(flat stamping w/angle)	3683847	2	.23
53-54	1½ TON (exc. SBC, hvy. duty)	(use w/7.50-20, 8.25-20 tires)	3705492	2	.35

#### 6.020 KNUCKLE, Steering (with nut)

29-40	AC, LQ, AD, LR, LS, AE, BA, BB, CA, CB, DB, EB, ED, FB, FD, GB, GC, GD, GE, HB, HC, HD, HE, IB, IC, ID, JE, KB, KC, KD, KE, KF	(also use 2—593044 bushing) (forged 3654435)	604296	2	9.75
31-35	LT, M, N, O, P, Q	(w/bushing) (before Feb. 1, 1935) (forged 365286)	363164	2	8.75
33-35	CC, DC, EC	(w/bushing) (forged 472630)	364819	2	8.75
35-37	UTILITY	(w/bushing) (forged 596571)	607317**	2	8.75

\*\*NOTE: 909625 and 909626 cups, 909525 and 909526 cones, 909725 and 909726 separator and ball, 379654 retainer, 379655 deflector and 379657 washer, must be used with 607317 knuckle.

36	IC	(with bushing) (forged 475460)	601933	2	8.75
----	----	--------------------------------	--------	---	------

37-42	UTILITY (exc. COE., MT, MY),				
46-50	3/4, 1, 1 1/2 TON (exc. D-D, SBC)	UNIT (consists of knuckle assy., 2 cones and 2			
51-52	3/4, 1 TON (exc. D-D)	deflectors)	3707592*	2	10.75
39-42	COE (Reg. Prod.),				
40-42	UTIL. (exc. COE) (hvy. duty)	left (forged 3651035 - w/bshg.) (use			
42	MT, MY (Reg. Prod.)	w/No. 3100Y389-18957 or 3100K193-			
46	UTIL. (exc. OR, OS, PI, PK) (Reg. Prod.)	18776 forged on "T" beam)	603269†	1	21.95
39-42	COE (Reg. Prod.),				
40-42	UTIL. (exc. COE) (hvy. duty)	right (forged 3651036 - w/bshg.) (use			
42	MT, MY (Reg. Prod.)	w/No. 3100Y389-18957 or 3100K193-			
46	UTIL. (exc. OR, OS, PI, PK) (Reg. Prod.)	18776 forged on "T" beam)	603270†	1	21.95
39-48	PASS. (exc. JB, KB)	(forged 3664549)	607626⊗	2	9.75
41-42	COMM.,				
46-50	1/2 TON	(forged 3664551)	607306†	2	9.75
46-49	SBC, 2 TON (1st design)	1 3/8 large brg. dia.	609735	2	14.75
48-52	DUBL-DUTI	(forged 3678183)	3690160	2	14.00
49-54	UJ, UK, VI, VK, SBC, 2 TON,				
49-54	1 1/2 TON (hvy. duty)	(1 3/4 large brg. dia.) (forged 3697466)	3703565	2	14.75
49-54	PASS.	(forged 3693446)	3696323	2	9.75
51-53	1/2 TON	(forged 3694217)	3696337	2	9.75
53-54	3/4, 1, 1 1/2 TON (exc. D-D, SBC, hvy. duty)	(forged 3698332)	3703563	2	9.75
53-54	DUBL-DUTI	(forged 3697466) (1 1/2 large brg. dia.)	3703564	2	14.00
54	1/2 TON	(forged 3708831)	3709756	2	9.75
49-50	PASS.	SPACER, strg. knuckle	3687865	2	.32
51-54	PASS., 1/2 TON	SPACER, strg. knuckle (1 3/16 O.D. x 2 3/8 long)	3693567	4	.10
51-54	1/2 TON	SPACER, strg. knuckle lwr. (1 1/8 O.D. x 1 3/16 O.L.)	3694222	4	.22

\*NOTE: Enlarge the chamfer on the flange plate pilot hole to clear the larger radius.

†NOTE: Used on 1946 Models when 3/16 in. Hub Bolts are used.

⊗NOTE: Enlarge the chamfer on the flange plate pilot hole to clear the larger radius. Also, when using 607626 on 1939-40 models, it will be necessary to use 909552 cone, 3656535 deflector and 3656536 felt.

‡NOTE: Use only w/607309 brake flange plate, spindle has straight taper form inner to outer bearing surface.

#### 6.021 BUSHING, Steering Knuckle King Pin

31-42	UTIL. (exc. COE, WB, WC, MT, MY),				
46-50	3/4, 1, 1 1/2 TON (exc. D-D, SBC),				
51-52	3/4, 1 TON (exc. D-D)	knuckle (1 1/4 x 1 I.D.)	365312	4	.36
31-42	UTIL. (exc. COE, MT, MY),				
46-50	3/4, 1, 1 1/2 TON (exc. D-D, SBC),				
51-52	3/4, 1 TON (exc. D-D)	(.020 O.S.) (stamped G.M. 45)	604245	4	.36
33-35	CC, DC, EC	knuckle (1 3/8 x 3/4 I.D.)	472624	4	.36
34-38	DA, EA, FA, GA, HA	(to be used where king pin bearing bore has been reamed .0145 oversize)	603076†	4	.40
34-40	DA, EA, FA, GA, HA, IA, KA, KH,				
41-42	PASS., COMM.,				
46-54	PASS., 1/2 TON	king pin (1 3/8 x 1 3/8)	602124	4	.40
34-38	DA, EA, FA, GA, HA	king pin (notched for ident.) (.010 O.S. I.D.) (used only on jobs w/rebuilt knases)	603967	4	.40
34-38	DA, EA, FA, GA, HA	spindle to flange plate (1 1/8 x 1 3/4 I.D.)	600864	2	.67
41-42	COMM.,				
46-54	1/2 TON	(.010 O.S.)	609880	4	.40
37-40	GB, HB, JB, KB, KC, KD, KE, KF	knuckle (1 1/4 x 3/8 I.D. - w/groove)	593044	4	.40
39-42	COE,				
40-46	WB, WC, YR, YS, YT, MR, MS, OR, OS (w/hvy. duty)	knuckle (1 1/8 x 1) (for use w/No. 3100K-193-18776 forged on "T" beam)	2073641	4	.43
42-46	MT, MY, O (exc. OR, OS) (Reg. Prod.)	(.010 O.S.) (stamped 11)	604511	4	.40
40	COMM.	knuckle (use w/3678186 or 3683214 forged on "T" beam)	3686588	4	.36
46-54	D-D, UJ, UK, VI, VK, SBC, 2 TON				
48-54	1 1/2 TON (hvy. duty)	knuckle (.020 O.S.)	3694911	4	.36
46-54	D-D, UJ, UK, VI, VK, SBC, 2 TON,	(1 1/2 x 1 I.D.)	3698333	4	.36
48-54	1 1/2 TON (hvy. duty)	(.020 O.S.)	3705556	4	.40
53-54	3/4, 1, 1 1/2 TON (exc. D-D, SBC, hvy. duty)				
53-54	3/4, 1, 1 1/2 TON (exc. D-D, SBC, hvy. duty)				

†NOTE: Used in conjunction w/Kent-Moore reamer tool KMO-108.

**6.022 NUT, Steering Knuckle Spindle**

29-39	A, L, M, B, N, CA, CB, O, DA, DB, P, EB, ED, FB, FD, GB, GC, GD, GE, HB, HC, HD, HE, JE, JC, JD, JE	352917	2	.18	
33-35	CC, DC, EC	472622	2	.18	
35-42	EA, FA, GA, HA, JA, K, A, B	378137	2	.20	
46-54	PASS., 1/2 TON	(use w/3681101 forged on "I" beam) (2 3/8 -20 A.M. Nat thd.)	379656	2	.18
35-42	UTIL. (exc. COE, MT, MY)	475462	2	.18	
46-54	3/4, 1 TON, UTILITY (Reg. Prod.)				
36	FC				
39-42	COE (Reg. Prod.)				
40-42	UTIL. (hvy. duty) (exc. COE)	(3/4-16) (use w/3100K-193-18776 forged on "I" beam)	374427	2	(6.104)
46	OE, OF, OG, OH, OI, OJ, OW, OY				

**6.023 SUPPORT, Steering Knuckle**

39-48	PASS. (exc. JB, KB)	left (forged 599189)	599189	1	6.45
39-48	PASS. (exc. JB, KB)	right (forged 599190)	599190	1	6.45
49-52	PASS.	left (forged 3687651)	3687651	1	6.45
49-52	PASS.	right (forged 3687652)	3687652	1	6.45
53-54	PASS.	left (forged 3703785)	3703785	1	6.45
53-54	PASS.	right (forged 3703786)	3703786	1	6.45

**6.103 ARM, Steering Knuckle**

31-34	LT, M, N, O, P	(forged 373339)	373331	1	2.17
33-36	CA, CB, DB, EB, ED, FB, FD				
36-42	COMM.				
46-50	1/2 TON	(forged 3667229)	373541	1	2.60
34-38	DA, EA, FA, GA, HA	(forged 373489)	373487	1	2.65
35-37	UTILITY	(forged 377985) (1/16 bolt holes)	377985	1	1.90
36	FC	(forged 475451)	475321	1	2.17
37-40	GB, HB, IB, KB	(forged 593053)	593051	1	2.65
37-42	UTIL. (exc. hvy. duty, COE, MT, MY)				
46-54	3/4, 1, 1 1/2 TON (exc. D-D, UJ, UK, VJ, VK, SBC, hvy. duty)	(forged 3667227) (1/2 bolt holes)	3667227	1	2.27
39-48	PASS. (exc. JB, KB)	left (forged 3667231)	3667231	1	2.27
39-48	PASS. (exc. JB, KB)	right (forged 3667232)	3667232	1	2.27
39-46	COE	(use w/3/16 hub bolts)	608754	1	5.87
40-46	W, Y, M, O (hvy. duty) (exc. COE)	(forged 3651987)	604469	1	7.40
46-54	D-D, UJ, UK, VJ, VK, SBC, 2 TON	(forged 3678185) (use w/3678186 or 3681101 frgd. on "I" beam on 1946 models)	3678185*	1	4.48
49-53	PASS. (1st design)	left (forged 3691175)	3691175	1	2.27
49-53	PASS. (1st design)	right (forged 3691176)	3691176	1	2.27
53-54	PASS. (2nd design)	left (forged 3709275)	3709275	1	2.35
53-54	PASS. (2nd design)	right (forged 3709276)	3709276	1	2.35
51-54	1/2 TON	(forged 3694233)	3694231	1	2.60

\*NOTE: On 1946 models, use 3685153 Strg. and 3rd Arm Assy. and 3685160 Tie Rod.

**ARM, Steering and 3rd**

31-34	LT, M, N, O, P	(forged 373337)	373333	1	3.73
33-35	CC, DC, EC	(forged 473589)	472721	1	3.73
33-36	CA, CB, DE, EB, FB	(forged 373533)	373543	1	3.73
35-36	Q, R	(forged 377989)	377975	1	3.73
35-36	EA, FA	(forged 378113)	378111	1	4.60
36	FC	(forged 475453)	475319	1	4.48
37-39	GB, HB, IB	(forged 593057)	593058	1	4.48
37-38	GA, HA	(forged 593231)	593233	1	4.92
37-46	COMM. (exc. DR, DS)	(forged 593401 or 3667235)	593405	1	4.92
37	S	(forged 593235) (1/16 bolt holes)	593411	1	4.17
37-42	UTIL. (exc. MT, MY, COE)				
46	DR, DS, OR, OS, PJ, PK	(forged 3667237) (1/2 bolt holes)	596575	1	4.48
39-46	COE	(use w/3/16 hub bolts)	608755	1	13.78
40	KB	(forged 3652597)	3652615	1	4.00
40-46	WB, WC, YR, YS, YT, MR, MS, MY, MT, OE, OF, OG, OR, OS, OW, OY (heavy duty)	(forged 3122V542) (use w/3100K-193-18776 frgd. on "I" beam)	604471	1	13.78



46	OE, OF, OG, FL, PV, PW, PX.....	(frgd. 3685157) (use w/3681101 frgd. on "I" beam).....	3685153†	1	7.57
46	PP, PR, PS.....	(forged 3678184) (use w/3678186 frgd. on "I" beam).....	3678176	1	7.03
47-50	¾, 1, 1½ TON (exc. D-D, SBC),	(forged 3685897) (w/ball stud).....	3685901	1	4.48
51-52	¾, ) TON (exc. D-D).....	(forged 3685753).....	3685755	1	4.92
47-50	½ TON.....	(forged 3685895) (use w/3683214 frgd. on "I" beam).....	3685891	1	8.10
47-50	QL, QV, QW, QX, RL, RV, RW, RX, SL, SV, SW, SX, TL, TV, TW, TX, TY.....				
47-50	DUBL-DUTI, COE,				
51-52	DUBL-DUTI.....	(forged 3690441).....	3690439	1	8.10
51-52	½ TON.....	(forged 3694229).....	3694227	1	4.92
51-52	UTILITY (exc. COE),				
53-54	SBC, 2 TON (exc. COE),				
53-54	1½ TON (hvy. duty).....	(forged 3694909).....	3694909	1	7.73
51-54	COE,				
53-54	DUBL-DUTI.....	(forged 3694921).....	3694921	1	7.73
53-54	½ TON.....	(forged 3699683).....	3699681	1	4.48
53-54	¾, 1, 1½ TON (exc. D-D, SBC, hvy. duty)	(forged 3694907-3685897) (w/tapered hole).....	3694907	1	4.10

†NOTE: On some models it may be necessary to use 3678185 Strg. Knuckle Arm and 3685160 Tie Rod.

#### 6.104 NUT—KEY, Steering Knuckle Arm

34-38	DA, EA, FA, GA, HA.....	(¾—16).....	374427	2	.18
39-46	W, Y, M, O, COE (exc. WA, MY, OW, PP, PR, PS) (hvy. duty).....	(⅝—16, slotted) (use w/3100K-193-18776 frgd. on "I" beam).....	315070	2	.22
39	COE.....	KEY, steering and third arm (use w/3100K-193-18776 forged on "I" beam).....	3681215	2	.17
40-46	W, Y, M, O (hvy. duty).....				

#### 6.108 STUD—NUT, Steering Knuckle Arm Ball

39	COE.....	(use w/3100K-193-18776 forged on "I" beam).....	094802	1	1.26
40-46	W, Y, M, O (hvy. duty).....				
39	COE.....	NUT (use w/3100K-193-18776 forged on "I" beam).....	291672	1	.12
40-46	W, Y, M, O (hvy. duty).....				

#### 6.111 COVER—SEAL, Tie Rod Dust

39-47	PASS. (exc. JB, KB).....		599245	4	.03
40	KB.....		3653479	1	.08
39	COE,				
40-46	W, Y, M, O.....	SEAL.....	2035386	2	.09
39-54	PASS. (exc. JB, KB).....	SEAL, tie rod socket.....	3687643	4	.07

#### 6.112 SPRING—WASHER, Tie Rod Dust Seal

39	COE.....	(use w/3100K-193-18776 forged on "I" beam).....	671345	2	.06
40-46	W, Y, M, O (hvy. duty).....				
39	COE.....	WASHER (use w/3100K-193-18776 forged on "I" beam).....	2035385	4	.06
40-46	W, Y, M, O (hvy. duty).....				

#### 6.114 SEAT, Tie Rod Dust Cover

41-47	PASS.....		3656893	4	.07
-------	-----------	--	---------	---	-----

#### 6.117 PACKING, Tie Rod Dust Cover

39-47	PASS. (exc. JB, KB).....	(thick).....	599836	A.R.	.08
39-47	PASS. (exc. JB, KB).....	(medium).....	599247	A.R.	.08
41-47	PASS.....	(thin).....	3688604	A.R.	.08

#### 6.162 ABSORBER ASSEMBLY, Front Shock, w/Upper Arm

39-48	PASS. (exc. JB, KB).....	left (stamped 2200-A).....	5352102	1	15.12
39-48	PASS. (exc. JB, KB).....	right (stamped 2200-B).....	5352103	1	15.12

NOTE: When using 5352102 or 5352103 in making initial replacement on 1939-40, use 5334623 rebound and 1089124 compression relief valves.

### 6.163 BOLT, Upper Arm and Shock Absorber Assembly Attaching

39-48	PASS. (exc. JB, KB)	long	599818	4	.13
39-48	PASS. (exc. JB, KB)	short	599819	2	.10

### 6.164 PIN-SHAFT UNIT-BOLT UNIT, Steering Knuckle Support and Upper Arm

39-48	PASS. (exc. JB, KB)	pivot (consists of: 1 frt. and rear bshg., 1 pin and 2 bshg. seals)	603412	2	1.47
49-54	PASS.	SHAFT UNIT, control arm, inner (.008 oversize thds. on shaft)	3693693*	2	1.87
49-54	PASS.	BOLT UNIT, pivot outer (consists of: 2 bshgs., 1 bolt and 2 bshg. seals)	3690684	2	1.47

\*NOTE: Consists of 2 bshgs., 1 shaft, 2 bshg. seals. Shaft identified by cross shaped indentation or circular "V" shaped groove with a 1/16 dia. punch mark in center on end of shaft.

### 6.166 SEAL-FITTING, Steering Knuckle Support

39-48	PASS. (exc. JB, KB)	lower control arm shaft bushing,	599180	A.R.	.08
49-54	PASS.	upper and lower control arm shaft bushing	599191	4	.14
39-48	PASS. (exc. JB, KB)	upper control arm pivot bolt bushing	599199	4	.08
39-54	PASS. (exc. JB, KB)	lower control arm pivot bolt bushing	3687699	4	.07
49-54	PASS.	upper control arm pivot bolt bushing	3693782	2	.14
49-54	PASS.	FITTING, upr. control arm shaft rear bushing grease			

### 6.168 ARM, Steering Knuckle Support, w/Seat

39-48	PASS. (exc. JB, KB)	left (drilled for lower control arm bumper 3661888 — see SMD 461) (forged 3653905)	605661	1	9.85
39-48	PASS. (exc. JB, KB)	right (drilled for lower control arm bumper) (forged 3653906)	605662	1	9.85
49-54	PASS.	upper arm (threaded type)	3692170	2	1.95
49-54	PASS.	left, lower arm (threaded type)	3693469	1	5.52
49-54	PASS.	right, lower arm (threaded type)	3693470	1	5.52

### 6.169 SHAFT ASSEMBLY, Steering Knuckle Support—Lower Arm

39-48	PASS. (exc. JB, KB)	left	605003*	1	4.05
39-48	PASS. (exc. JB, KB)	right	605004*	1	4.05
49	PASS.	(forged 3687664) (use w/drilled rnfct.)	3690685†	2	4.05
49-54	PASS.	(forged 3691468) (use w/threaded rnfct.)	3693459‡	2	3.78

\*NOTE: 605003 and 605004 each consist of: 1 shaft, 2 bshgs. and 2 seals.

†NOTE: 3690685 consists of: 1 shaft, 2 bshgs., 2 seals and 2 lock nuts.

‡NOTE: 3693459 consists of: 1 shaft, 2 bushings and 2 seals.

### 6.170 BUSHING-NUT, Steering Knuckle Support Lower Arm Shaft

39-48	PASS. (exc. JB, KB)		599177	4	.40
49	PASS.	(use w/drilled rnfct.)	3687638	4	.54
49-54	PASS.	(use w/threaded rnfct.)	3691454	4	.54
49	PASS.	NUT, lock (1 1/2 hex 3/8 thick) (use w/drilled rnfct.)	3687637	4	.27

### 6.172 BOLT, Steering Knuckle Support Lower Arm Shaft

39	JA	front (3/16-20 x 2 1/16)	3653925	4	(5.002)
39-40	JA, KA, KH (exc. STA. WAG.)	(3/16-20 x 1 13/16)	599182	8	.10
40-54	PASS. (exc. KB)	(3/16-20 x 1 1/2)	3686570	8	.12

### 6.174 BOLT UNIT-NUT, Steering Knuckle Support Lower Arm Pivot

39-48	PASS. (exc. JB, KB)	replacement	603406	2	1.31
49-54	PASS.	replacement	3690683	2	1.31
49-54	PASS.	NUT, lock (3/4-11)	3687666	2	.11

### 6.176 BUMPER—PLUG, Steering Knuckle Support Arm

39-54	PASS. (exc. JB, KB)	upper arm	3687670	2	.32
39-48	PASS. (exc. JB, KB)	lwr. arm (attaches to lwr. spg. seat)	3661888*	2	.42
49-54	PASS.	lower arm	3687669	2	.42
39-41	PASS. (exc. JB, KB)	PLUG, frt. spg. hpr. cross member hole	605948	2	.42

\*NOTE: On 1939-41 models drill hole in spring seat and use 605948 Plug in cross member hole.

### 6.179 ARM ASSY., Steering Idler and Third

49-54	PASS.	(forged 3691173)	3691171	1	7.30
53-54	ALL P/S	(forged 3703795)	3703795	1	7.30

### 6.180 SHIM, Steering Idler and Third Arm

49-54	PASS.	(.005 thick .940 I.D. x 1 $\frac{5}{16}$ O.D.)	3687657	A.R.	.06
49-54	PASS.	(.0625 thick .940 I.D. x 1 $\frac{5}{16}$ O.D.)	3691282	1	.06
49-54	PASS.	brkt. to frame (.010 thick 1 $\frac{1}{2}$ I.D. x 1 O.D.)	3686548	A.R.	.02

### 6.181 REPAIR UNIT—PARTS, Steering Idler and Third Arm Shaft

49-54	PASS.		3696372*	1	1.08
49-54	PASS.	BUSHING (.911 I.D. x 1.046 O.D.)	3691403	2	.18
49-54	PASS.	SEAL, bshg. (rubber— $\frac{1}{4}$ thick)	3691423	2	.06
49-54	PASS.	PLUG, bshg. (1.187 O.D.)	3690917	2	.03

\*NOTE: Consists of 1 Shaft, 1 Pin, 2 Plugs, 2 Seals, 2 Bushings and 4 Shims.

### 6.186 BRACKET ASSY.—BOLT—LOCK, Steering Idler and Third Arm

49-54	PASS.	with bushing	3691167	1	4.60
49-54	PASS.	BOLT, attaching ( $\frac{1}{2}$ —20 x 1)	217208*	1	(5.002)
49-54	PASS.	LOCK, bolt	3691438	1	.11

\*NOTE: 217208 is made of special steel—181696 must not be used.

### 6.203 PIN, King

29-36	A, LQ, LR, LS, B, CA, CB, DB, EB, ED, FB, FD,				
37-40	G, H, J, K, (exc. GA, HA, JA, KA, KH)	(with lock pin)	602491	2	.96
31-42	UTIL. (exc. COE, MT, MY),				
46-50	$\frac{3}{4}$ , 1, 1 $\frac{1}{2}$ TON (exc. D-D, SBC),				
51-52	$\frac{3}{4}$ , 1 TON (exc. D-D)	(with lock pin)	363306	2	1.02
34-38	DA, EA, FA, GA, HA	(stamped 63 on end for identification) (.010 O.S.) (for use on jobs w/rebuild knees only)	603963	2	.96
37-40	COMM.	(with lock pin) (.010 O.S.)	603539	2	.96
39-54	PASS. (exc. JB, KB),				
41-42	COMM.				
46-54	$\frac{1}{2}$ TON		599207	2	.96
53-54	$\frac{3}{4}$ , 1, 1 $\frac{1}{2}$ TON (exc. D-D, SBC)	(5 $\frac{1}{8}$ O.L.) (w/lock pin)	3703496	2	1.02

### KING PIN REPLACEMENT UNITS

Following replacement units include 2 king pins, 2 lock pins, 4 knuckle bushings, 4 knuckle plugs, 2 thrust bearings, 4 thrust bearing shims (also plug covers and lock rings where used).

29-30	ALL,				
31-33	PASS., COMM. (exc. CC),				
34-36	DB, EB, ED, FB, FD,				
37-39	COMM.		602691	1	3.82
31-42	UTIL. (exc. COE, MT, MY),				
46-50	$\frac{3}{4}$ , 1, 1 $\frac{1}{2}$ TON (exc. D-D, SBC),				
51-52	$\frac{3}{4}$ , 1 TON (exc. D-D)		601019	1	3.84
31-42	UTIL. (exc. COE, MT, MY),				
46-50	$\frac{3}{4}$ , 1, 1 $\frac{1}{2}$ TON (exc. D-D, SBC),				
51-52	$\frac{3}{4}$ , 1 TON (exc. D-D)	(.010 O.S.)	603538	1	3.84
31-42	UTIL. (exc. COE, MT, MY),				
46-50	$\frac{3}{4}$ , 1, 1 $\frac{1}{2}$ TON (exc. D-D, SBC),				
51-52	$\frac{3}{4}$ , 1 TON (exc. D-D)	(.020 O.S.)	604254	1	4.16
33-35	CC, DC, EC		601787	1	3.48
34-38	DA, EA, FA, GA, HA		602689	1	4.16

36	FC.....		602032	1	3.48
29-30	ALL,				
31-36	PASS. (exc. CC, DC, EA, EC, FA, FC),				
31-39	COMM.....	(.010 O.S.).....	603537	1	3.82
37-40	GB, HB, JB, KB, KC, KD, KE, KF.....		602690	1	4.45
39-54	PASS. (exc. JB, KB).....		603386	1	4.45
41-42	COMM.,				
46-54	1/2 TON.....		605121	1	4.45
39-42	MT, MY, COE (Reg. Prod.),				
40-46	WA, WB, WC, YR, YS, YT, MR, MS, OR, OS (hvy. duty),				
46	OE, OF, OG, OH, OI, OJ, OW, OY, PL, PV, PW, PX (Reg. Prod.).....	king pin (6 3/8 lg.—1 1/8 O.D. uses snap ring).....	608841	1	9.56
39-42	W, Y, M, COE (hvy. duty),				
46	O, P (exc. PJ, PK).....	(.020 O.S.).....	609400	1	9.54
40	COMM.....	(.010 O.S.).....	604474	1	4.18
41-42	COMM.,				
46-54	1/2 TON.....	(.010 O.S.).....	609882	1	4.16
46-54	D-D, UJ, UK, VI, VK, SBC, 2 TON,				
48-54	1 1/2 TON (hvy. duty).....	(king pin 6 3/8 lg. x 1 1/8 O.D.).....	3691111	1	6.58
46-54	D-D, UJ, UK, VI, VK, SBC, 2 TON,				
48-54	1 1/2 TON (hvy. duty).....	(.010 O.S.).....	3694969	1	6.58
46-54	D-D, UJ, UK, VI, VK, SBC, 2 TON,				
48-54	1 1/2 TON (hvy. duty).....	(.020 O.S.).....	3694970	1	6.64
53-54	3/4, 1, 1 1/2 TON (exc. D-D, SBC, hvy. duty)	(king pin 5 5/8 lg. x 1 5/8 O.D.).....	3704112	1	4.20
53-54	3/4, 1, 1 1/2 TON (exc. D-D, SBC, hvy. duty)	(.010 O.S.).....	3705549	1	4.20
53-54	3/4, 1, 1 1/2 TON (exc. D-D, SBC, hvy. duty)	(.020 O.S.).....	3705553	1	4.20

#### 6.210 WASHER UNIT, Spindle and Knuckle Thrust

46-54	D-D, UJ, UK, VI, VK, SBC, 2 TON,				
48-54	1 1/2 TON (hvy. duty).....	knuckle washer (fits Std. or O.S.).....	3695004*	2	1.20
53-54	3/4, 1, 1 1/2 TON (exc. D-D, SBC, hvy. duty)	knuckle washer (1 5/8 O.D.).....	3704110*	1	.57

\*NOTE: Consists of: 1 bronze, 2 steel thrust washers and 2 dust shields.

#### BEARING, King Pin Thrust

33-36	CC, DC, EC, FC.....		472625	2	.50
31-42	UTIL. (exc. COE, MT, MY),				
46-50	3/4, 1, 1 1/2 TON (exc. D-D, SBC),				
51-52	3/4, 1 TON (exc. D-D).....		365309	2	.72
31-42	UTIL. (exc. COE, MT, MY),				
46-50	3/4, 1, 1 1/2 TON (exc. D-D, SBC),				
51-52	3/4, 1 TON (exc. D-D).....	(.010 O.S.) (part of 603538).....	603494	2	.72
31-42	UTIL. (exc. COE, MT, MY),				
46-50	3/4, 1, 1 1/2 TON (exc. D-D, SBC),				
51-52	3/4, 1 TON (exc. D-D).....	(.020 O.S.) (part of 604254).....	604244	2	.72
34-40	DA, EA, FA, GA, HA, JA, KA, KH,				
41-42	PASS., COMM.,				
46-54	PASS., 1/2 TON.....		373476	2	.60
34-40	DA, EA, FA, GA, HA, JA, KA, KH,				
41-42	PASS., COMM.,				
46-54	PASS., 1/2 TON.....	(.010 O.S.) (part of 609882).....	609878	2	.60
37-40	COMM.....	(.010 O.S.).....	603493	2	.60
39-42	W, Y, M, COE (hvy. duty),				
46	OH, OI, OJ, OE, OF, OG, PL, PV, PW, PX	(.020 O.S.) (part of unit 609400).....	121461	2	1.04
40-42	UTILITY (hvy. duty).....	(use w/ft. axle "I" beams having 3681101 or 3100K-193-18776 frgd.).....	3678172	2	.72
46-47	2 TON, OW, OY, PL, QL.....				

#### 6.214 SHIM—RETAINER, King Pin Thrust Bearing

29-40	A, LQ, LR, LS, B, CA, CB, DB, EB, ED, FB, FD, GB, GC, GD, GE, HB, HD, HE, JB, JC, JD, JE, KB, KC, KD, KE, KF.....		352575	A.R.	.03
31-42	UTILITY (exc. COE, MT, MY),				
46-54	3/4, 1, 1 1/2 TON (exc. D-D, UJ, UK, VI, VK, SBC, hvy. duty).....	(.005).....	365298	A.R.	.04
33-36	CC, DC, EC, FC.....	(.005).....	472626	A.R.	.03



34	DA	(.005) wheel spindle washer	374033	A.R.	.08
34-40	DA, EA, FA, GA, HA, IA, KA, KH,				
41-42	PASS., COMM,				
46-54	PASS., ½ TON	(.005)	373491	A.R.	.04
39-42	UTILITY (exc. VA, VB, VC, VD, WA),				
46-54	D-D, UI, UK, VI, VK, N, P, SBC, 2 TON,				
48-54	1½ TON (hvy. duty)	(.005)	3681108	A.H.	.05
37-42	UTILITY (exc. COE, MT, MY),				
46-54	¾, 1, 1½ TON (exc. D-D, UI, UK, VI, VK,	(.005) (flat on O.D.) (.020 O.S.) (part of	604401	A.R.	.07
	SBC, hvy. duty)	604254)			
46-54	D-D, UI, UK, VI, VK, SBC, 2 TON,				
48-54	1½ TON (hvy. duty)	(.005) (.020 O.S.) (part of 3694970)	3694934	A.H.	.07
39	COE	RETAINER (use w/3100K-193-18776 forged			
40-46	W, Y, M, O (hvy. duty)	on "I" beam)	2034302	2	.06

#### 6.216 PIN, King Pin Lock

46-47	¾, 1 TON, UTILITY (exc. COE, MT, MY),				
48-54	D-D, UTILITY		3685179	2	.27
33-36	CC, DC, EC, FC		472636	2	.20
34-40	DA, EA, FA, GA, HA, IA, KA, KH,				
41-54	PASS.		373455	2	.22
39-42	W, Y, M, COE (hvy. duty)	(use w/3100K-193-18776 forged on "I"			
46	O	beam)	319390	2	.27
41-42	COMM,				
46-54	½ TON,				
53-54	¾, 1, 1½ TON (exc. D-D, SBC)		3686531	2	.22

#### 6.223 PLUG-RING-COVER, Knuckle Expansion

31-42	UTILITY (exc. COE, MT, MY),				
46-54	¾, 1, 1½ TON (exc. D-D, UI, UK, VI, VK,	knuckle	3653937	4	.03
	SBC, hvy. duty)	knuckle	378143	4	.07
34-36	DA, EA, FA, GA, HA		103894	4	(B.970)
37-40	GA, HB, IB, KB, KC, KD, KE				
39-42	W, Y, M, COE (hvy. duty)	(use w/3100K-193-18776 forged on "I"			
46	O	beam)	678243	2	.06
39-54	PASS. (exc. IB, KB)	knuckle	599208	4	.07
41-42	COMM,				
46-54	½ TON	knuckle	3657337	4	.07
46-54	D-D, UI, UK, VI, VK, N, P, SBC, 2 TON,				
48-54	1½ TON (hvy. duty)	(use w/3681101 frgd. on "I" beam)	3678195	4	.07
35-38	EA, FA, GA, HA	RING, lock	378138	4	.07
39-54	PASS. (exc. IB, KB)	RING, lock	599209	4	.07
35-38	EA, FA, GA, HA	COVER, plug	379523	4	.07
39-54	PASS. (exc. IB, KB)	COVER, king pin bearing plug	599210	2	.07

#### 6.226 RETAINER-SPRING-SEAL, King Pin Oil

39-42	W, Y, M, COE (hvy. duty)	(use w/3100K-193-18776 forged on "I"			
46	O	beam)	234895	2	.08
39-42	W, Y, M, COE (hvy. duty)	SPRING (use w/3100K-193-18776 forged on			
46	O	"I" beam)	657309	2	.08
39	COE	SEAL (use w/3100K-193-18776 forged on "I"			
40-46	UTILITY	beam)	3681830	2	.13

#### 6.230 ROD, Front Axle Tie

29-31	ALL	(45 O.L.—¾—16 thread)	365296	1	1.36
32-34	ALL (exc. CC, DC)				
35-36	PASS., COMM. (exc. EC, FC),				
37-42	COMM,				
46-54	½, ¾ TON (exc. D-D)	(43½ O.L.—¾—16 thread)	367528	1	1.46
34-35	DC, EC	(43½ O.L.—¾—16 thread)	374646	1	1.36
34-38	DA, EA, FA, GA, HA	(42½ O.L.—¾—16 thread)	373609	1	1.46
35-42	UTILITY (exc. MT, MY, COE),				
46-54	1, 1½ TON (exc. D-D, UI, UK, VI, VK,	(44½ O.L.—¾—18 thread, hollow)	377988	1	2.26
	SBC, hvy. duty)	(42½ O.L.—¾—16 thread)	475457	1	1.36
36	FC				

37-40	GB, HB, JB, KB.....	(43 $\frac{1}{8}$ O.L.—1 $\frac{1}{4}$ —16 thread).....	593047	1	1.46
39	JA (w/599639 arm only).....	long, w/studs (33 O.L.—one long and one short stud).....	605937	1	4.95
39-46	COE (w/ $\frac{9}{16}$ hub bolts).....	(49 $\frac{1}{8}$ O.L.—1—16 R.H. thread one end, 1—16 L.H. thread one end).....	3651181	1	4.58
39-48	PASS. (exc. JB, KB).....	short (10 $\frac{1}{4}$ O.L.— $\frac{9}{16}$ —18 int. thread)....	599241	1	.70
39-48	PASS. (exc. JB, KB)..... (w/3651543 arm only on JA).....	long, w/studs (33 O.L.—studs same length both ends).....	605923	1	4.95
40-46	W, Y, M, O (hvy. duty) (exc. COE).....	(47 $\frac{11}{16}$ O.L.—1—16 R.H. thread one end, 1—16 L.H. thread one end—hollow)....	3651574	1	4.94
46-54	COE.....	(49 O.L.—1—16 R.H. thread one end, 1—16 L.H. thread one end) (int. thds.) .	3681851	1	4.18
46	OE, OF, OG, PL, PV, PW, PX.....	(48 O.L.) (1 in. thds. R.H. and L.H.).....	3685160*	1	3.76
47-54	D-D, UI, UK, VI, VK, SBC, 2 TON (exc. COE),				
48-54	1 $\frac{1}{2}$ TON (hvy. duty).....	(47 $\frac{1}{2}$ O.L.) (1—16 thds. R.H. and L.H.) ..	3683223	1	4.18
49-54	PASS.....	(25 $\frac{1}{2}$ long w/ $\frac{9}{16}$ —20 studs).....	3692953	1	4.95
49-54	PASS.....	SLEEVE (18 $\frac{3}{4}$ long w/ $\frac{9}{16}$ —18 x 2 $\frac{1}{8}$ int. thd.)	3691181	1	1.04

\*NOTE: On OE, OF, OG it is necessary to use 3685153 Strg. and 3rd Arm and 3678188 Strg. Knuckle Arm.

### 6.233 END, Tie Rod

NOTE: Tie rod ends listed below are not assemblies unless specified.

30-31	ALL.....	left (41 $\frac{17}{32}$ ) (2 $\frac{3}{16}$ —16 L.H. thd.—stmpd. "L")	357585	1	1.24
32-34	ALL (exc. CC, DC),				
35-38	PASS., COMM. (exc. EC, FC, GB, HB),				
39-42	COMM.,				
46-54	$\frac{1}{2}$ , $\frac{3}{4}$ TON (exc. D-D).....	left (42 $\frac{59}{64}$ ) (2 $\frac{3}{16}$ —16 L.H. thd.—stmpd. "L")	374227	1	1.24
32-34	ALL (exc. CC, DC),				
35-38	PASS., COMM. (exc. EC, FC, GB, HB),				
39-42	COMM.....	right (42 $\frac{59}{64}$ long) (2 $\frac{3}{16}$ —16 R.H. thd.—stmpd. "R").....	374226	1	1.24
46-54	$\frac{1}{2}$ , $\frac{3}{4}$ TON (exc. D-D).....	right (42 $\frac{59}{64}$ ) (2 $\frac{3}{16}$ —16 R.H. thd.—stmpd. "R")	472664	1	1.24
33-40	CC, DC, EC, FC, GB, HB, JB, KB.....	left (42 $\frac{59}{64}$ ) (2 $\frac{3}{16}$ —16 L.H. thd.—stmpd. "L")	472665	1	1.24
33-40	CC, DC, EC, FC, GB, HB, JB, KB.....				
34-42	UTILITY (exc. MT, MY, COE),				
46-54	1, 1 $\frac{1}{2}$ TON (exc. D-D, UI, UK, VI, VK, SBC, hvy. duty).....	assy., left (4 $\frac{1}{2}$ long) (1 $\frac{1}{8}$ —18 L.H. thd.)..	601395	1	2.65
34-42	UTILITY (exc. MT, MY, COE),				
46-54	1, 1 $\frac{1}{2}$ TON (exc. D-D, UI, UK, VI, VK, SBC, hvy. duty).....	assy., right (4 $\frac{1}{2}$ long) (1 $\frac{1}{8}$ —18 R.H. thd.) .	601396	1	2.65
39	COE.....	assy., left (4 $\frac{3}{4}$ long) (1—16 R.H. thd.)....	603933	1	4.76
39	COE.....	assy., left (4 $\frac{3}{4}$ long) (1—16 L.H. thd.)			
40-46	W, Y, M, O (hvy. duty).....	(stamped N-118).....	603935	1	4.76
39	COE.....	assy., right (4 $\frac{11}{16}$ long) (1—16 R.H. thd.)			
40-46	W, Y, M, O (hvy. duty).....	(stamped F-110).....	603934	1	4.76
39	IA.....	assy., right (used w/Fitman arm 599639) (4 $\frac{1}{2}$ long) (1 $\frac{1}{8}$ —18 R.H. thd.).....	605936	1	1.78
39-54	PASS. (exc. JB, KB).....	assy., left (4 $\frac{1}{2}$ long) (1 $\frac{1}{8}$ —18 L.H. thd.)...	3692951	1	1.95
39-54	PASS. (exc. JB, KB).....	assy., right (4 $\frac{1}{2}$ long) (1 $\frac{1}{8}$ —18 R.H. thd.) .	3692952	1	1.95
46-54	D-D, UI, UK, VI, VK, SBC, 2 TON.....	assy., left (use w/3681101 frgd. on "I" beam) (5 long) (1—16 L.H. thd.).....	609747	1	3.98
46-54	D-D, UI, UK, VI, VK, SBC, 2 TON.....	assy., right (use w/3681101 frgd. on "Y" beam) (5 long) (1—16 R.H. thd.).....	609748	1	3.98
46-54	1 $\frac{1}{2}$ TON (hvy. duty).....				
32-34	ALL,				
35-40	PASS., COMM. (exc. IA, KA, KH),				
41-42	COMM.....	UNIT (2 springs, 3 plugs, 4 seats, and 2 safety rivets).....	608840	1	(6.874)
46-54	$\frac{1}{2}$ , $\frac{3}{4}$ TON (exc. D-D).....				

### 6.234 CLAMP, Tie Rod End

29-33	ALL (exc. CC),				
34-38	PASS. (exc. DC, EC, FC, GB, HB),				
34-42	COMM.,				
46-54	$\frac{1}{2}$ , $\frac{3}{4}$ TON (exc. D-D).....		352266	2	.27
33-40	CC, DC, EC, FC, GB, HB, JB, KB.....		472655	2	.27
35-42	UTILITY (exc. MT, MY, COE),				
46-54	1, 1 $\frac{1}{2}$ TON (exc. D-D, UI, UK, VI, VK, SBC, hvy. duty).....		377983	2	.27

39-54	PASS. (exc. JB, KB)		599234	2	.18
46-54	D-D, UI, UK, VI, VK, N, P, SBC, 2 TON,				
48-54	1½ TON (hvy. duty)	(use w/3681101 forged on "I" beam)	3681858	2	.35

### 6.243 STUD, Tie Rod Ball

46-54	¼, 1, 1½ TON (exc. D-D, UI, UK, VI, VK, SBC)	(½—20 thread)	377992	A.H.	.63
-------	--	---------------	--------	------	-----

### 6.255 SPRING—SEAT—RIVET—PLUG, Tie Rod

29	ALL,				
32-34	ALL (exc. DC),				
35-40	PASS., COMM. (exc. IA, KA, KH),				
41-42	COMM.,				
46-54	½, ¾ TON (exc. D-D)		335976	2	(6.876)
30-39	ALL (exc. JA),				
40-42	COMM., KB,				
39-54	½, ¾ TON (exc. D-D)	SEAT, tie rod ball (grooved) (¾ dia. x 1¼)	595986	4	(6.874)
29-34	ALL,				
36-40	PASS., COMM. (exc. IA, KA, KH),				
41-42	COMM.,				
46-54	½, ¾ TON (exc. D-D)	RIVET, safety (½ dia. x 1¼ O.L.—1 dia. hd.)	354456	2	.09
29-40	ALL (exc. IA, KA, KH),				
41-42	COMM.,				
46-54	½, ¾ TON (exc. D-D)	PLUG, end (1¼—18 thd. x ½ O.L.)	335977	2	(6.881)

### 6.307 HUB, Front Wheel

29-40	A, LQ, LH, LS, B, CB, DB, EB, ED, FB, FD, GB, HB, JB, KB,				
37-42	COMM.,				
46-50	½ TON	(cast 599218) (also stmpd. 963)	369963	2	4.47
31-34	LI, M, N, O, P	(cast 365293)	365293	2	7.25
33-36	CC, DC, EC, FC	(cast 472509)	476860	2	3.90
34-35	DA, EA	(cast 373497)	373497	2	4.18
35	Q	(cast 377828)	377828	2	7.25
36-38	FA, GA, HA	(stmp'd. 507)	476507	2	4.47
36	R	(cast 475466)	475466	2	7.25
37-40	UTILITY (exc. COE)	(cast 595017) (5¼ deep)	595017	2	7.82
39-48	PASS. (exc. JB)	(stmp'd. 218)	599218	2	4.47
39	COE,				
40-42	UTILITY (hvy. duty) (exc. YR),				
46-53	UI, UK, VI, VK, SBC, 2 TON,				
48-53	1½ TON (hvy. duty)		3681888*	2	12.15
41	1½ TON (exc. hvy. duty),				
42-50	1½ TON (exc. hvy. duty, SBC),				
53-54	1½ TON (exc. hvy. duty, SBC)	(cast 3656885)	3656885	2	7.82
46	DR, DS (DS w/sgl. flange)		3690898	2	5.52
46	DS (w/dbl. flange)		3681221	2	7.25
47-54	¾, 1 TON (w/sgl. wheels)		3683232	2	6.53
47-54	1 TON (w/dual rear wheels)		3683818	2	8.37
49-50	PASS.	(cast 3687631)	3687631	2	4.47
51-54	PASS.	(cast 3694757)	3694757	2	4.47
51-54	½ TON	(cast 3694768)	3694768	2	4.47
54	1½ TON SBC,				
54	1½ TON (hvy. duty)	(cast 3704489)	3704489	2	12.15
54	2 TON	(cast 3704482)	3704482	2	12.15

\*NOTE: On early jobs where hub breakage occurs install brake drum 604718 or enlarge pilot hole in original drum 4½ I.D.

### 6.308 RING, Front Hub Clamp

36-46	UTILITY	(use w/¾ hub bolts)	475262	2	.85
46-53	UTILITY	(use w/¾ hub bolts)	3682390	2	.85

### 6.311 BEARING ASSEMBLY, Front Wheel Inner

29-31	ALL,				
32-40	PASS., COMM. (exc. CC, DC, EC, FC)	(ND 909502) (ND 909602) (ND 909702)	909002†	2	4.90
33-36	CC, DC, EC, FC	(ND 909522) (ND 909622) (ND 909722)	909022†	2	3.80

35-42	UTILITY (exc. COE, MT, MY)	(exc. hvy. duty) (w/strg. knuckle w/inner cone seat 1.40 O.D. and outer cone seat .84 O.D.) (ND 909526) (ND 909626) (ND 909726)	909026†	2	6.15
46-50	¾, 1, 1½ TON (exc. SBC)	(1½ dia. hole) (groove on O.D.) (Hy A 11410) (Hy 11410 Z)	173241*	2	7.25
51-52	¾, 1 TON	(ND 909552) (ND 909602) (ND 909702)	909052†	2	5.10
39-42	UTILITY (hvy. duty)	(1¾ dia. hole) (Hy A11424) (Hy 11424Z)	7450131*	2	8.45
46-49	SBC, 2 TON (1st design)	(ND 909726) (ND 909548) (ND 909626)	909046†	2	6.15
41-42	PASS., COMM.	(shaft dia. 1¾) (Hy C125298WA)	7450335*	2	9.00
46-54	PASS., ½ TON				
49-50	SBC, 2 TON (2nd design)				
51-53	UI, UK, VI, VK, SBC, 2 TON				
53-54	¾, 1, 1½ TON (exc. SBC)				
54	1½ TON (hvy. duty)				
54	SBC, 2 TON				

†NOTE: Consists of cone, cup, and separator (also listed separately).

\*NOTE: Component parts are not serviced separately.

#### 6.313 BEARING ASSEMBLY, Front Wheel Outer

29-30	ALL				
31-42	PASS., COMM. (exc. CC, DC, EC, FC)	(ND 909501) (ND 909601) (ND 909701)	909001†	2	3.25
46-54	PASS., ½ TON	(ND 909521) (ND 909621) (ND 909721)	909021†	2	2.55
33-36	CC, DC, EC, FC	(exc. hvy. duty) (w/strg. knuckle w/inner cone seat 1.40 O.D. and outer cone seat .84 O.D.) (ND 909525) (ND 909625) (ND 909725)	909025†	2	3.65
35-42	UTILITY (exc. COE, MT, MY)	(1½ dia. hole) (groove on O.D.) (Hy A 11020) (Hy 11020Z)	173238*	2	4.85
46-50	SBC, 2 TON (1st design)	(1½ dia. hole) (Hy A11035) (Hy 11035Z)	7450034*	2	8.10
49-50	SBC, 2 TON (2nd design)	(ND 909545) (ND 909625) (ND 909725)	909045†	2	3.65
51-53	UI, UK, VI, VK, SBC, 2 TON	(shaft dia. 1½) (Hy A131224Z)	7450336*	2	5.40
53-54	¾, 1, 1½ TON (exc. SBC)				
54	1½ TON (hvy. duty)				
54	SBC, 2 TON				

†NOTE: Consists of cone, cup, and separator (also listed separately).

\*NOTE: Component parts are not serviced separately.

#### 6.314 CONE, Front Wheel Inner Bearing

29-30	ALL				
31-40	PASS., COMM. (exc. CC, DC, EC, FC)	(1½ O.D. x 1¾ I.D.) (ND 909502)	909502	2	1.80
33-36	CC, DC, EC, FC	(1¾ O.D. x 1½ I.D.) (ND 909522)	909522	2	1.15
35-42	UTILITY (exc. COE, MT, MY)	(w/strg. knuckle w/inner cone seat 1.40 O.D. and outer cone seat .84 O.D.) (ND 909526)	909526	2	1.90
46-50	¾, 1, 1½ TON (exc. SBC)	(1½ O.D. x 1¾ I.D.) (ND 909552)	909552	2	2.00
51-52	¾, 1 TON	(2½ O.D. x 1½ I.D.) (ND 909546)	909546	2	2.00
41-42	PASS., COMM.				
46-54	PASS., ½ TON				
53-54	¾, 1, 1½ TON (exc. SBC)				

#### 6.315 CONE, Front Wheel Outer Bearing

29-30	ALL				
31-42	PASS., COMM. (exc. CC, DC, EC, FC)	(1½ O.D. x ¾ I.D.) (ND 909501)	909501	2	1.05
46-54	PASS., ½ TON	(1¾ O.D. x 1½ I.D.) (ND 909521)	909521	2	.90
33-36	CC, DC, EC, FC	(w/strg. knuckle w/inner cone seat 1.40 O.D. and outer cone seat .84 O.D.) (1½ O.D. x 1¾ I.D.) (ND 909525)	909525	2	1.25
35-42	UTILITY (exc. COE, MT, MY)	(1¾ O.D. x 1½ I.D.) (ND 909545)	909545	2	1.30
46-50	¾, 1, 1½ TON (exc. SBC)				
51-52	¾, 1 TON				
53-54	¾, 1, 1½ TON (exc. SBC)				

#### 6.316 CUP, Front Wheel Inner Bearing

29-30	ALL				
31-42	PASS., COMM. (exc. CC, DC, EC, FC)	(2½ O.D. x 2¾ I.D.) (ND 909602)	909602	2	1.80
46-54	PASS., ½ TON	(2½ O.D. x 1¾ I.D.) (ND 909622)	909622	2	1.60
33-36	CC, DC, EC, FC	(w/strg. knuckle w/inner cone seat 1.40 O.D. and outer cone seat .84 O.D.) (ND 909626)	909626	2	2.35
35-42	UTILITY (exc. COE, MT, MY)				
46-54	¾, 1, 1½ TON (exc. UI, UK, VI, VK, SBC)				



### 6.317 CUP, Front Wheel Outer Bearing

29-30	ALL,				
31-42	PASS., COMM. (exc. CC, DC, EC, FC),				
46-54	PASS., 1/2 TON.....	(2 3/8 O.D. x 1 1/8 I.D.) (ND 909601).....	909601	2	1.30
33-36	CC, DC, EC, FC.....	(1 7/8 O.D. x 1 1/8 I.D.) (ND 909621).....	909621	2	1.05
35-42	UTILITY (exc. COE, MT, MY).....	(w/strg. knuckle w/inner cone seat 1.40			
46-54	3/4, 1, 1 1/2 TON (exc. UJ, UK, VJ, VK, SBC)	O.D. and outer cone seat .84 O.D.) (2 1/4 O.D. x 1 1/4 I.D.) (ND 909625).....	909625	2	1.40

### 6.318 SEPARATOR ASSEMBLY, Front Wheel Inner Bearing, w/Balls

29-30	ALL,				
31-42	PASS., COMM. (exc. CC, DC, EC, FC),				
46-54	PASS., 1/2 TON.....	(ND 909702).....	909702	2	1.30
33-36	CC, DC, EC, FC.....	(ND 909722).....	909722	2	1.05
35-42	UTILITY (exc. COE, MT, MY).....	(w/strg. knuckle w/inner cone seat 1.40			
46-54	3/4, 1, 1 1/2 TON (exc. UJ, UK, VJ, VK, SBC)	O.D. and outer cone seat .84 O.D.) (ND 909726).....	909726	2	1.70

### 6.319 SEPARATOR ASSEMBLY, Front Wheel Outer Bearing, w/Balls

29-30	ALL,				
31-42	PASS., COMM. (exc. CC, DC, EC, FC),				
46-54	PASS., 1/2 TON.....	(ND 909701).....	909701	2	.90
33-36	CC, DC, EC, FC.....	(ND 909721).....	909721	2	.60
35-42	UTILITY (exc. COE, MT, MY).....	(w/strg. knuckle w/inner cone seat 1.40			
46-54	3/4, 1, 1 1/2 TON (exc. UJ, UK, VJ, VK, SBC)	O.D. and outer cone seat .84 O.D.) (ND 909725).....	909725	2	.90

### 6.321 WASHER, Steering Knuckle Spindle

29-34	ALL (exc. CC, DC),				
35-42	PASS., COMM. (exc. EC, FC),				
46-54	PASS., 1/2 TON.....		3663991	2	2/.13
33-36	CC, DC, EC, FC.....		472631	2	.13
35-42	UTIL. (exc. hvy. duty, COE, MT, MY),				
46-52	3/4, 1 TON, UTILITY (1st design).....	(w/knuckle having inner cone seat 1.40			
53-54	3/4, 1, 1 1/2 TON (exc. SBC, hvy. duty)....	O.D.).....	379657	2	.13
39	COE,				
40-46	W, Y, M, O (hvy. duty).....		654658	2	.18
52-54	UTILITY (exc. N, P) (2nd design),				
53-54	1 1/2 TON (hvy. duty).....	(3/8 I.D. x 2 1/2 O.D.).....	3702236	2	.13

### 6.323 DEFLECTOR, Front Hub or Drum Oil

29-36	A, L, M, B, N, CA, CB, O, DB, P, EB, ED, FB, FD, GB, GC, GD, GE, HB, HC, HD, HE.....	wheel hub, outer.....	370957	2	.50
29-40	AC, LQ, AD, LR, LS, AE, BA, BE, CA, CB, DB, EB, ED, FB, GB, GC, GD, GE, HB, HC, HD, HE, J, K.....	wheel hub, inner.....	599220	2	.23
31-34	LI, M, N, O, P.....	wheel hub, inner.....	365304	2	.22
33-35	CC, DC, EC.....	wheel hub, inner.....	472629	2	.17
35-41	UTIL. (exc. hvy. duty, COE),				
42-50	MR, MS, OR, OS, PI, PK, QI, QK, RJ, RK, SI, SK, TJ, TK.....	wheel hub, inner (use with knuckle having inner cone seat 1.40 O.D.).....	379655	2	.23
35-40	UTILITY (exc. COE).....	brake drum (3 1/8 I.D. x 6 1/8 O.D.).....	377826	2	.45
36-38	FA, GA, HA.....	brake drum, outer (3 1/8 I.D. x 6 1/8 O.D.).....	476503	2	.45
39	COE,				
40-54	UTILITY (exc. WA).....	brake drum.....	3650738	2	.50
39-42	PASS., COMM.,				
46-48	PASS.,				
46-50	1/2 TON.....	hub, outer.....	599219	2	.50
39	COE (Reg. Prod.),				
40-42	UTIL. (hvy. duty),				
46-49	SBC, 2 TON (1st design).....	hub, inner (1 1/8 dia. hole).....	3650733	2	.17
41-42	COMM.,				
41-48	PASS.,				
46-54	1/2 TON.....	hub, inner (stamped 41).....	3656535	2	.23

46-52	3/4, 1 TON.	hub, inner.	3681052	2	.28
46	DR, DS (w/sgl. rear wheels)	brake drum.	3681053	2	.78
46	DS (w/dual rear wheels)	brake drum.	3681205	2	.78
47-54	3/4, 1 TON (w/sgl. wheels)	brake drum (4 1/8 I.D. x 7 3/4 O.D. x 1/8 thick)	3683233	2	.78
47-54	1 TON (w/dual rear wheels)	brake drum (4 1/8 I.D. x 7 3/4 O.D. x 1 1/8 thk.)	3683237	2	.78
49-54	PASS.	hub, inner (1 11/16 I.D. x 3 1/16 O.D.)	3687629	2	.23
49-54	PASS.	brake drum (3 3/8 I.D. x 6 O.D.)	3687635	2	.50
49-50	SBC, 2 TON (2nd design),				
49-53	1 1/2 TON (hvy. duty),				
51-53	UI, UK, VI, VK, SBC, 2 TON	hub, inner (2 1/8 dia. hole)	3691428	2	.17
51-54	1/2 TON	brake drum (3 3/4 I.D. x 6 5/8 O.D.)	3694884	2	.50
53-54	3/4, 1 TON	hub inner (1 3/4 I.D. x 4 1/2 O.D.)	3698071	2	.28
53-54	1 1/2 TON (exc. SBC, hvy. duty)	hub inner (1 3/4 I.D. x 3 1/2 O.D.)	3698089	2	.17
54	1 1/2 TON (hvy. duty),				
54	SBC, 2 TON	hub inner (2 1/8 I.D. x 3 7/8 O.D.)	3704488	2	.17

### 6.326 PACKING—FELT—SPACER, Front Wheel Bearing

34-38	DA, EA, FA, GA, HA	wheel dust shield inner (cork) (2 1/8 I.D.)	376033	2	.11
34-38	DA, EA, FA, GA, HA	wheel dust shield, outer (cork) (2 1/8 I.D.)	376309	2	.11
29-40	A, LQ, LR, LS, B, CA, CB, DA, DB, EA, EB, ED, FA, FB, FD, G, H, I, K	FELT, with retainer, inner brg.	352488	2	.45
31-35	UTILITY	FELT, with retainer, inner brg. (w/strg. knuckle w/inner cone seat 1.31 O.D. and outer cone seat .75 O.D.)	365277	2	.40
33-36	CC, DC, EC, FC	FELT, with retainer, inner brg.	472887	2	.34
35-42	UTIL. (exc. COE, MT, MY)	FELT, with retainer, inner brg. (w/strg. knuckle w/inner cone seat 1.40 O.D. and outer cone seat .84 O.D.)	379654	2	.45
46-54	3/4, 1, 1 1/2 TON (exc. UI, UK, VI, VK, SBC, hvy. duty)				
39	COE,				
40-42	UTILITY (hvy. duty),				
46-49	SBC, 2 TON (1st design)	FELT, with retainer, inner brg. (2 1/8 dia. hole)	3650735	2	.45
41-42	PASS., COMM.				
46-54	PASS., 1/2 TON	FELT, with retainer, inner brg. (stamped 41)	3656536	2	.45
49-50	SBC, 2 TON (2nd design),				
49-53	1 1/2 TON (hvy. duty),				
51-53	UI, UK, VI, VK, SBC, 2 TON	FELT, with retainer, inner brg. (2 1/8 dia. hole)	3691478	2	.50
54	1 1/2 TON (hvy. duty),				
54	SBC, 2 TON	FELT, w/retainer, inner brg. (3 1/8 I.D.)	3704483	2	.50
35-38	EA, FA, GA, HA	SPACER (2 7/8 I.D.)	379402	2	.87

### 6.351 KNEE ACTION UNITS

34-38	DA, EA, FA, GA, HA	left (stamped 378132 on housing)	602499	1	28.83
34-38	DA, EA, FA, GA, HA	right (stamped 378132 on housing)	602500	1	28.83

### 6.357 CYLINDER, Knee Action Front Shock Absorber (with piston)

37-38	GA, HA	compression (valve 1-BX)	1068389	2	1.75
37-38	GA, HA	rebound (valve 1-B)	1068388	2	1.75

### 6.358 GASKET, Knee Action Shock Absorber

34-38	DA, EA, FA, GA, HA		373475	2	.08
-------	--------------------	--	--------	---	-----

### 6.361 SPRING, Knee Action

34-38	DA, EA, FA, GA, HA	inner, front (1 1/8 O.D.)	375882	1	.91
34-38	DA, EA, FA, GA, HA	outer, front (3 1/8 O.D.)	374631	1	4.55
39-41	PASS. (exc. JB, KB)	(white—1310 lb.) (wire dia. .576—.580)	3653059	2	5.18
35-52	PASS. (exc. JB, KB) (hvy. duty)	(black stripe—1550 lb. tension) (wire dia. .600—.608)	3694210	2	5.18
50-52	PASS. w/P.G.				
50-52	CONV.,				
39-48	PASS. (exc. JB, KB)	(green—1375 lb.) (wire dia. .585—.589)	3654086	2	5.18
49-52	PASS. (exc. P.G., CONV.)	(yellow—1400 lb.) (wire dia. .592—.600)	3694612	2	5.18
53-54	PASS. w/P.G.	(black stripe—1540 lb. tension) (wire dia. .594)	3703787	2	5.18
53-54	CONV.				
53-54	PASS. (exc. P.G., CONV.)	(yellow stripe—1535 lb. tension) (wire dia. .594)	3703788	2	5.18

**6.364 SPACER—NHDM, Spring Seat**

34-36	DA, EA, FA	( $\frac{1}{8}$ thick)	376304	2	.06
39-54	PASS. (exc. JB, KB)	SHIM ( $3\frac{1}{8}$ I.D. x $4\frac{13}{16}$ O.D.)	3694719	A.R.	.13

**6.384 GASKET, Shock Absorber Bolt**

34-38	DA, EA, FA, GA, HA		375692	6	.02
-------	--------------------	--	--------	---	-----

**6.386 FLUID, Shock Absorber**

ALL	ALL	(1 quart)	603489	A.R.	.80
ALL	ALL	(1 gallon)	600688	A.R.	2.15

**6.396 GASKET, Housing Cover**

34-38	DA, EA, FA, GA, HA	( $3\frac{1}{4}$ I.D.)	373617	2	.16
-------	--------------------	------------------------	--------	---	-----

**6.406 COVER—SEAL, Support Shaft Outer Packing**

34-38	DA, EA, FA, GA, HA	( $2\frac{1}{4}$ I.D.)	377110	2	.45
34-38	DA, EA, FA, GA, HA	SEAL ( $1\frac{1}{2}$ I.D.)	592431	2	.08

**6.401 PACKING, Support Shaft Outer Bearing**

34-38	DA, EA, FA, GA, HA	( $1\frac{1}{2}$ I.D.)	373468	2	.08
-------	--------------------	------------------------	--------	---	-----

**6.405 PACKING—COVER, Support Shaft Inner Bearing**

35-38	EA, FA, GA, HA	( $1\frac{1}{4}$ I.D.)	378810	2	.08
35-38	EA, FA, GA, HA	COVER ( $1\frac{1}{4}$ I.D.)	378809	2	.13

**6.507 KIT, Hydraulic Steering Gear**

53-54	ALL P/S	gasket and seal	5680153†	1	3.50
-------	---------	-----------------	----------	---	------

†NOTE: Consists of: 14 "O" ring seals, 3 gaskets, 1 packing and 1 retainer.

**6.508 GEAR ASSEMBLY, Steering**

NOTE: P/S denotes Power Steering.

NOTE: Assemblies do not include mast jacket, except where shown.

31-32	ALL	cast 260367 ( $47\frac{1}{8}$ O.L.)	260362	1	26.32
33-35	CB, DB, EB, O, P, Q	cast 260367 ( $45\frac{1}{8}$ O.L.)	261351	1	26.32
34	DA	cast 261892 ( $49\frac{1}{8}$ O.L.)	261867	1	26.32
35-36	EA, FA	cast 261892 ( $46\frac{1}{8}$ O.L.)	262664	1	26.32
36	FB, R	cast 260367 ( $45\frac{1}{8}$ O.L.)	262941	1	26.32
36	FC	cast 260667 ( $43\frac{1}{8}$ O.L.)	263007	1	26.32
37	GA	cast 263483	263413	1	26.32
37	GC, GD, GE	cast 263588	263502	1	26.32
37	S	cast 263587 ( $49\frac{1}{8}$ O.L.)	263503	1	26.32
37	GB	cast 263528	263719	1	26.32
38	HA	cast 264265 on hsg., 264272 on shaft	264189	1	26.32
38-39	HB, JB	cast 264265 on hsg., 264333 on shaft	265235	1	26.32
38-40	COMM. (exc. KF)	cast 263587 ( $47\frac{1}{8}$ O.L.)	264256	1	26.32
38-40	UTIL., KF (exc. COE)	cast 263587 ( $45\frac{1}{8}$ O.L.)	264284	1	26.32
39	JA	cast 264810	264808	1	26.32
39-40	COE	cast 264379	265404	1	41.34
40	KA, KH	cast 265759	265755	1	26.32
40	KB	cast 265798	265790	1	26.32
41-48	PASS.	cast 265789	267184	1	26.35
41-48	COMM., UTIL. (exc. COE)	cast 267733 ( $49\frac{1}{8}$ O.L.)	267793*	1	33.69
41-42	COE (1st design)	cast 266856 (66 balls, $\frac{1}{2}$ dia.)	266844	1	41.34
42-46	COE (2nd design)	cast 267135 (106 balls, $\frac{1}{2}$ dia.)	269910	1	41.34
47-53	COMM., $1\frac{1}{2}$ TON (exc. EP, ER, D-D, SBC)	(w/mast jacket) cast 270280	270927	1	41.63
47-53	SBC, 2 TON (exc. COE)	(w/mast jacket) cast 270251	270224	1	43.45
47-53	COE	(w/mast jacket) cast 270778	5662962	1	43.48
48-53	DUBL-DUTI	(w/mast jacket) cast 7 Type A	5660833	1	41.63
49-52	PASS.	(w/mast jacket) "K" cast on hsg.	5664306	1	29.45
53-54	PASS. (exc. P/S)	(w/mast jacket)	5665660	1	30.30
53	ALL P/S		5680062	1	167.50
54	ALL P/S		5660756	1	167.80

54	1/2, 3/4 TON,				
54	1 TON w/A.T. (hvy. duty),				
54	1, 1 1/2 TON (4-SPD.) (exc. A.T., hvy. duty,				
	SBC).....	(w/mast jacket) (jet black).....	5665200	1	41.65
54	DUBL-DUTI.....	(w/mast jacket) (jet black).....	5665202	1	41.65
54	COE.....	(w/mast jacket) (less pitman arm).....	5665269	1	43.45
54	SBC, 2 TON (exc. COE).....	(w/mast jacket) (jet black).....	5665205	1	43.45

\*NOTE: On initial installation on 1941-46 AN, BN, DS and UTILITY models, cut 1 1/8" off end of mast jacket.

#### 6.509 BOLT, Steering Gear to Frame

34-36	DA, EA, ED, FA, FD.....	frame to housing, through (1/8-14 x 3 3/4)	375407	1	.13
34-36	DA, EA, FA.....	pitman arm stop bracket to housing (1/8-14 x 3 3/4).....	376699	2	(6.963)

#### 6.512 COVER ASSY.—WEDGE, Steering Wheel Hub

53	PASS.....	(has directional signal lever hole) (grey).....	5944125	1	2.36
54	PASS.....	(has direction signal lever hole) (india ivory).....	5942429	1	2.40
53-54	PASS.....	WEDGE, signal lamp switch fastener.....	5944135	1	.33

#### 6.513 WHEEL, Steering

29-37	ALL (exc. CC, DC, EC, FC).....	(less horn button cap).....	750992	1	6.37
33-38	CC, DC, EC, FC.....	(less horn button cap).....	375322	1	5.08
38-40	ALL (exc. IA, KA, KB, KH, COE).....	(less horn button cap).....	753325†	1	6.68
39-40	IA, KA, KB, KH.....	.....	753625	1	6.68
39-48	COE.....	.....	755894	1	7.22
41-46	COMM., UTIL. (exc. COE).....	.....	755896	1	7.43
41-48	AG, BG, DJ, EJ, FJ.....	production.....	3847438	1	9.62
41-48	AG, BG, DJ, EJ, FJ.....	special equip.,			
41-48	AH, BH, DK, EK, FK.....	production.....	3847442	1	13.45
47-53	COMM., UTILITY.....	.....	756084	1	8.03
49	GI.....	.....	3692202	1	9.62
49	GK,				
52	KK.....	(black).....	3701210	1	14.55
50	HJ.....	(brown).....	3694619	1	9.62
50-51	HK, JK (exc. CONV., B-A).....	(light grey).....	3696016	1	13.95
50	CONV., B-A.....	(black).....	3694621	1	12.31
51	II.....	(dark grey).....	3696015	1	9.62
51	CONV., BEL AIR.....	(black).....	3696623	1	13.95
52	KJ.....	(grey).....	3701220	1	10.43
53	PASS.....	(grey).....	3704821	1	10.43
53	PASS.....	(black and grey).....	3704823	1	14.55
53	PASS.....	(regatta and horizon blue).....	3704824	1	14.55
53	PASS.....	(woodland and surf green).....	3704825	1	14.55
53	PASS.....	(saddle brown and sahara beige).....	3704828	1	14.55
54	A.....	(india ivory) (w/o cap).....	3709908	1	10.43
54	B, C.....	(onyx black and india ivory) (w/o cap).....	759206	1	13.45
54	B, C.....	(bermuda and surf green) (w/o cap).....	759210	1	13.45
54	B, C.....	(canyon brown and shoreline beige) (w/o cap).....	759214	1	13.45
54	B, C.....	(romany red and india ivory) (w/o cap).....	759218	1	13.45
54	B, C.....	(biscayne and horizon blue) (w/o cap).....	759464	1	13.45
54	B, C.....	(turquoise and india ivory) (w/o cap).....	759468	1	13.45
54	B, C.....	(pueblo tan and shoreline beige) (w/o cap).....	759474	1	13.45
54	B, C.....	(bermuda green and india ivory) (w/o cap).....	759711	1	13.45
54	B, C.....	(biscayne blue and india ivory) (w/o cap).....	759713	1	13.45
54	COMM., UTILITY.....	(onyx black) (w/o cap).....	758625	1	9.25

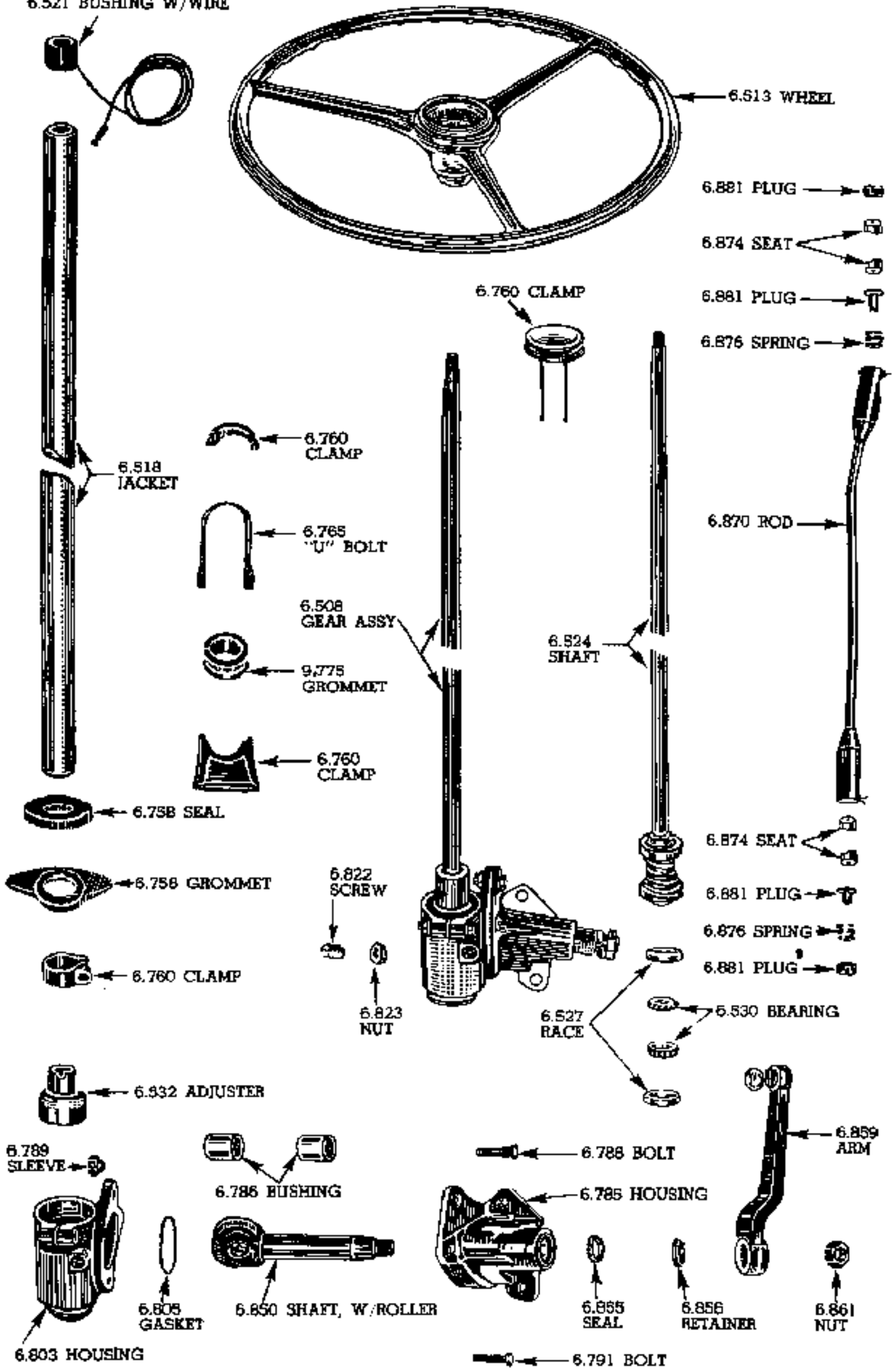
†NOTE: On commercial jobs it is necessary to use 753327 button and 597300 washer.

#### 6.516 NUT—WASHER—KEY, Steering Wheel

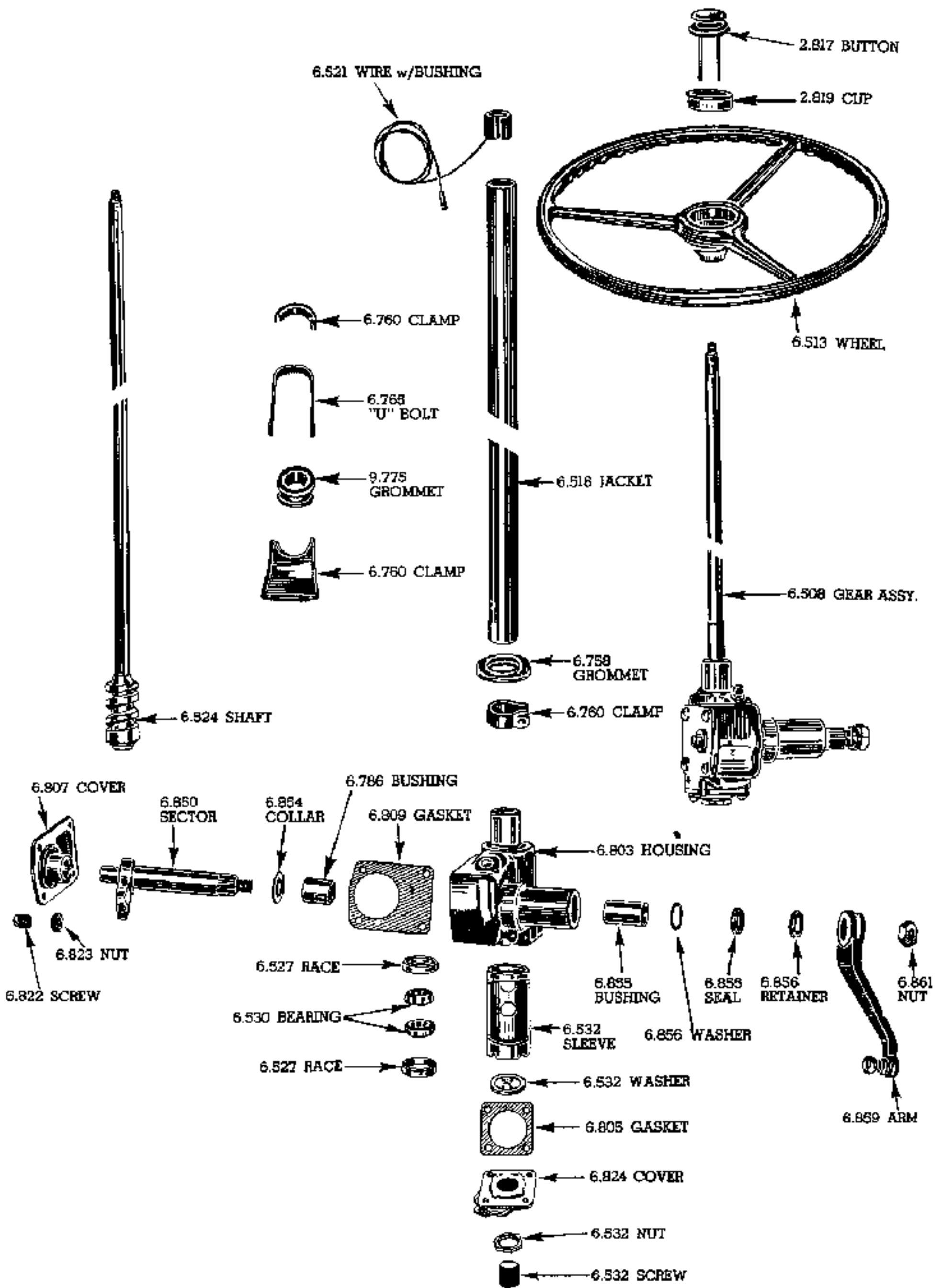
39-46	COE.....	(1/8-20).....	256853	1	.18
38-48	PASS.,				
41-48	COMM., UTIL. (exc. COE).....	WASHER (3/4).....	597300	1	.02
47-54	COMM., UTILITY,				
49-54	PASS.....	WASHER (1/2 I.D. x 1 O.D. x 1/8 thick).....	5665807	1	.05
39-46	COE.....	KEY.....	252993	1	.13



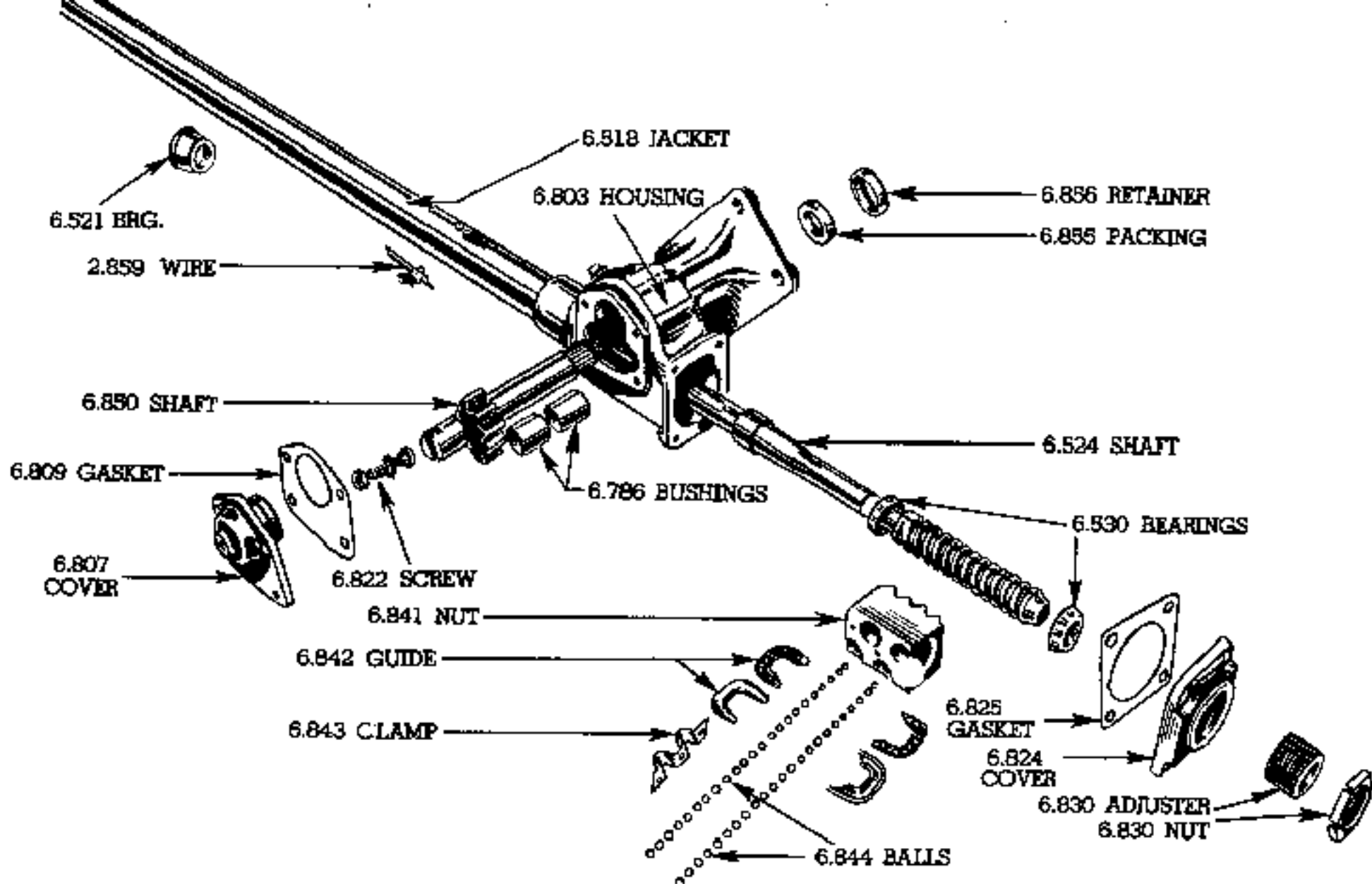
6.521 BUSHING W/WIRE



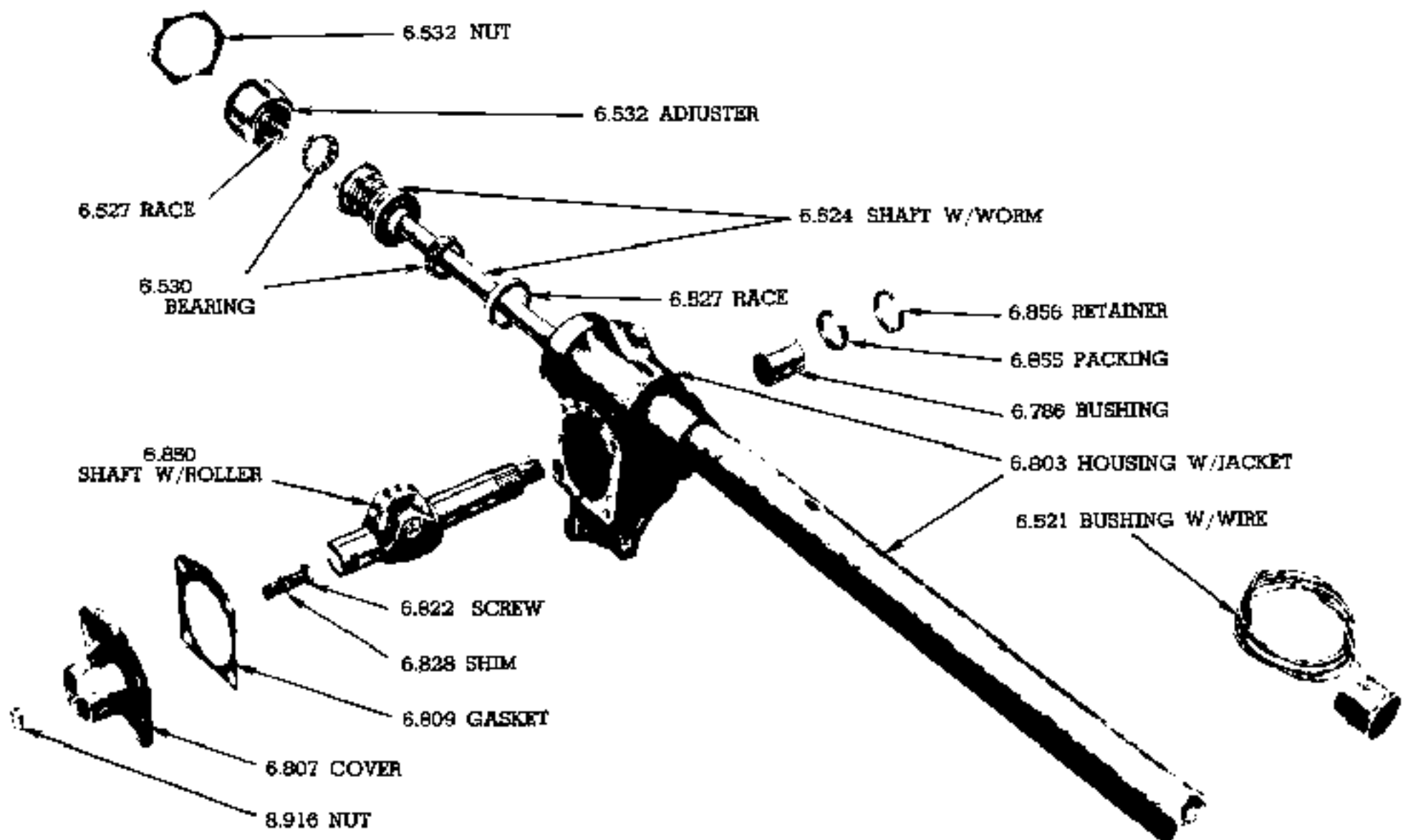
### 1937 GA STEERING GEAR



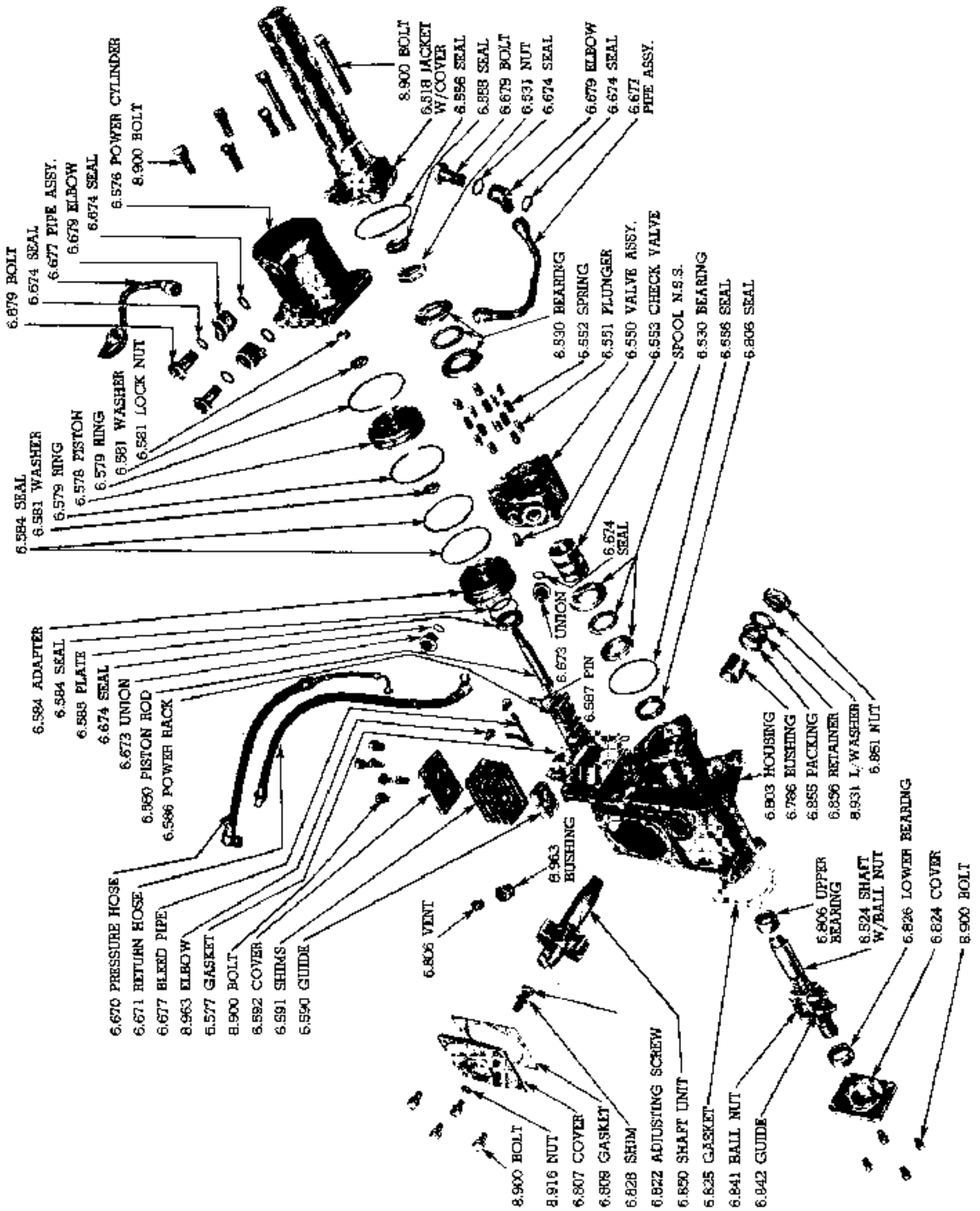
**1937-40 TRUCK AND 1937 GB STEERING GEAR**



**STEERING GEAR—RECIRCULATING BALL TYPE**

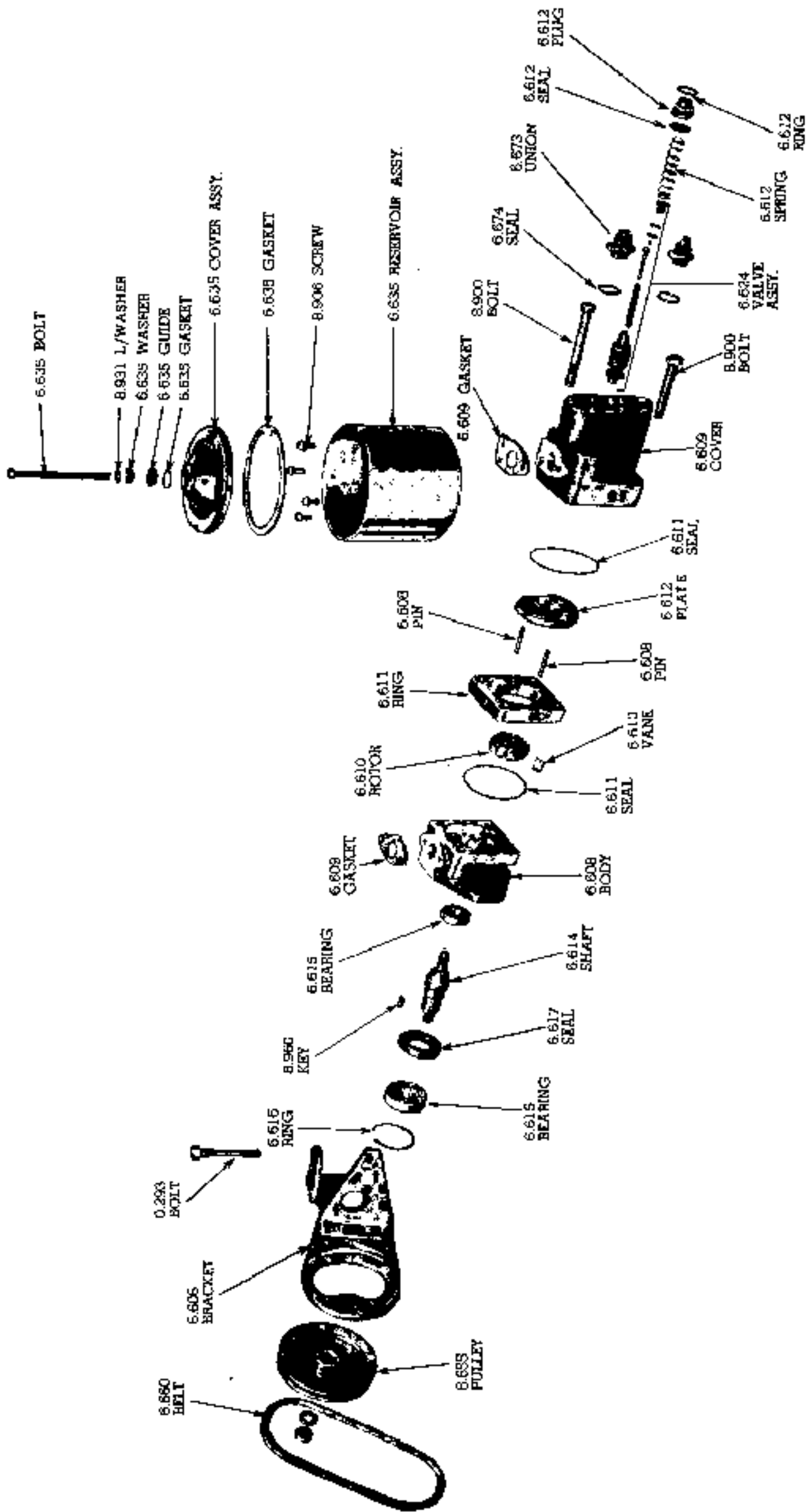


**1949-54 PASSENGER STEERING GEAR—EXPLODED**



1953-54 POWER STEERING GEAR





1953-54 POWER STEERING PUMP

**6.518 JACKET, Mast (also see group 6.803)**

35-36	EA, ED, FA, FD		378035	1	3.48
37-39	GA, GB, HA, HB, JB		3650207	1	3.48
37-40	KF, UTIL. (exc. COE)	(42 $\frac{1}{2}$ )	594671	1	3.48
37-40	COMM. (exc. KF)	(40 $\frac{3}{8}$ )	594675	1	3.48
39	JA		350268	1	3.43
40-48	PASS. (exc. KB)		3659803	1	3.48
40	KB		3653731	1	3.43
41-46	AK, AL, AM, BK, BL, BM, CK, DP, DR		3657877	1	3.48
41-46	UTIL., AN, BN, DS (exc. COE)		3657981	1	3.48
47	COMM., 1 $\frac{1}{2}$ TON (exc. SBC)				
48-53	ALL 4-SPD. (exc. D-D, SBC, 2 TON)	(w/top cover) (40 $\frac{1}{4}$ )	270278	1	5.50
48-53	$\frac{1}{2}$ , $\frac{3}{4}$ TON (3-SPD.) (exc. D-D)	(w/top cover) (40 $\frac{1}{4}$ )	5660013	1	5.50
53	ALL P/S	(34 $\frac{7}{8}$ )	5680071	1	7.50
54	ALL P/S	w/valve cover (37 $\frac{3}{8}$ O.L.)	5680938	1	7.50
54	$\frac{1}{2}$ , $\frac{3}{4}$ TON (3-SPD.) (exc. D-D)	w/top cover (39 $\frac{1}{8}$ O.L.)	5665293	1	5.50
54	$\frac{1}{2}$ , $\frac{3}{4}$ TON (4-SPD.)				
54	1 TON D-D, 1 $\frac{1}{2}$ TON (exc. SBC)	w/top cover (39 $\frac{1}{8}$ O.L.)	5665297	1	5.50
41-46	COMM., UTIL. (exc. COE)	BRACE UNIT, mast jacket	3847012	1	3.37

**6.521 BUSHING-BEARING, Mast Jacket (also see group 2.859)**

31-40	ALL (exc. CC, DC, EC, FC, JA, KA, KB, KH, COE)	with horn wire	1854761	1	1.50
33-36	CC, DC, EC, FC	with horn wire	1862762	1	1.40
41-48	COE	with horn wire	266329	1	1.15
39-48	PASS. (exc. JB)				
41-48	COMM., UTIL. (exc. COE)	BEARING, mast jacket	264887	1	1.30
39-46	COE	BEARING ASSY., upper w/packing	262288	1	1.02
47-54	COMM., UTILITY				
49-54	PASS. (exc. P/S)	BEARING ASSY., upper	270255	1	1.55
53-54	ALL P/S	BEARING ASSY., upper (w/horn wire)	5680010	1	2.00

**6.524 SHAFT, Steering Gear, w/Worm**

29-30	ALL	worm only (1 $\frac{5}{8}$ O.D.)	551032	1	3.92
31-32	ALL	(45 $\frac{1}{8}$ O.L.) (No. 66)	260366	1	7.22
33-35	CC, DC, EC	(44 $\frac{1}{8}$ O.L.)	261548	1	7.22
33	ALL (exc. CC)				
34-36	COMM., UTILITY	(45 $\frac{1}{8}$ O.L.) (No. 89)	261489	1	7.22
34	DA	(48 $\frac{1}{8}$ O.L.)	261925	1	7.22
35-36	EA, FA	(46 $\frac{1}{4}$ O.L.)	262689	1	7.22
35-36	ED, FD	(46 $\frac{1}{4}$ O.L.)	262809	1	7.22
36	FC	(42 $\frac{3}{8}$ O.L.)	263081	1	7.22
37	S	(47 $\frac{3}{4}$ O.L.)	263441	1	7.22
37	GA	(41 $\frac{1}{4}$ O.L.)	263487	1	7.22
37	COMM.	(45 $\frac{3}{8}$ O.L.)	263593	1	7.22
37	GB	(41 $\frac{1}{8}$ O.L.)	263622	1	7.22
38	HA	(41 $\frac{3}{8}$ O.L.)	264272	1	7.22
38-40	COMM. (exc. KF)	(48 $\frac{3}{8}$ O.L.)	264277	1	7.22
38-40	KF, UTIL. (exc. COE)	(47 $\frac{3}{4}$ O.L.)	264279	1	7.22
38-39	HB, JB	(41 $\frac{1}{8}$ O.L.)	264333	1	7.22
39	JA	(54 $\frac{1}{4}$ O.L.)	264815	1	7.22
39-40	COE	(53 $\frac{1}{2}$ O.L.)	265417	1	8.85
40-48	PASS. (exc. KB)	(53 $\frac{1}{4}$ O.L.)	265763	1	7.25
40	KB	(47 $\frac{3}{4}$ O.L.)	265805	1	7.22
41	AK, AL, AM	(47 $\frac{5}{8}$ O.L.)	266735	1	7.38
41-46	AK, AL, AM, BK, BL, BM, CK, DP, DR	(47 $\frac{5}{8}$ O.L.) with ball nut assembly	267880	1	15.40
41	COE	(54 $\frac{3}{8}$ O.L.)	266883	1	8.91
41	COE	(54 $\frac{3}{8}$ O.L.) with ball nut assembly	266864*	1	18.49
41	AN, YR, YS, YT	(49 $\frac{1}{4}$ O.L.)	266783	1	7.38
41-46	UTIL., AN, BN, DS (exc. COE)	(49 $\frac{1}{4}$ O.L.) with ball nut assembly	267888	1	14.32
42-46	BK, BL, BM, CK, DP, DR	(47 $\frac{5}{8}$ O.L.)	267879	1	7.22
42-46	UTIL., BN, DS (exc. COE)	(49 $\frac{1}{4}$ O.L.)	267887	1	7.22
42-46	COE	(54 $\frac{3}{8}$ O.L.)	267736	1	9.52
42-46	COE	(54 $\frac{3}{8}$ O.L.) with ball nut assembly	267737*	1	20.72
47-53	COMM., 1 $\frac{1}{2}$ TON (exc. D-D, SBC)	(47 $\frac{5}{8}$ O.L.)	270283	1	7.65
47-53	COMM., 1 $\frac{1}{2}$ TON (exc. D-D, SBC)	(47 $\frac{5}{8}$ O.L.) w/hall nut assy.	5660231	1	13.25
47-53	SBC, 2 TON (exc. COE)	(48 O.L.)	270260	1	8.50

47-53	SBC, 2 TON (exc. COE)	(48 O.L.) w/ball nut assy.	270259	1	15.25
47-53	COE	(57 $\frac{1}{4}$ O.L.)	270775	1	8.50
47-53	COE	(57 $\frac{1}{4}$ O.L.) w/ball nut assy.	270776	1	15.25
48-53	DUBL-DUTI	(57 O.L.) w/ball nut assy.	5660037	1	15.25
49-50	PASS. (1st Design)	(48 $\frac{11}{16}$ O.L.) (circular "V" groove at upper end of worm)	5660219	1	7.22
50-52	PASS. (2nd Design)	(48 $\frac{11}{16}$ O.L.) (flat at upper end of worm)	5662120	1	7.22
53-54	PASS. (exc. P/S)	(47 $\frac{1}{2}$ O.L.)	5664365	1	7.22
53	ALL P/S	(49 $\frac{1}{4}$ O.L.)	5680004	1	12.95
53	ALL P/S	(49 $\frac{1}{4}$ O.L.) w/ball nut assy.	5680007	1	19.85
54	ALL P/S	(49 $\frac{3}{8}$ O.L.)	5680928	1	12.95
54	ALL P/S	(49 $\frac{3}{8}$ O.L.) w/ball nut assy.	5680929	1	19.85
54	$\frac{1}{2}$ , $\frac{3}{4}$ , 1, 1 $\frac{1}{2}$ TON (exc. D-D, SBC)	(47 $\frac{5}{16}$ O.L.)	5665308	1	7.65
54	$\frac{1}{2}$ , $\frac{3}{4}$ , 1, 1 $\frac{1}{2}$ TON (exc. D-D, SBC)	(47 $\frac{5}{16}$ O.L.) w/ball nut assy.	5665294	1	15.25
54	DUBL-DUTI	(56 $\frac{11}{16}$ O.L.) w/ball nut assy.	5665320	1	15.25
54	SBC, 2 TON (exc. COE)	(47 $\frac{11}{16}$ O.L.)	5665259	1	8.50
54	SBC, 2 TON (exc. COE)	(47 $\frac{11}{16}$ O.L.) w/ball nut assy.	5665260	1	15.25
54	COE	(59 $\frac{3}{16}$ O.L.)	5665264	1	8.50
54	COE	(59 $\frac{3}{16}$ O.L.) w/ball nut assy.	5665265	1	15.25

\*NOTE: Upper worm thrust bearing roller assy., horn contact and wire assy., included with shaft assy. on COE.

#### 6.526 SPRING-SEAT-RETAINER, Steering Shaft Upper Bearing

39-40	PASS. (exc. JB)				
41-46	ALL (exc. COE)				
47-54	ALL		264832	1	.06
39-46	COE		262250	1	.08
39-40	PASS. (exc. JB)				
41-46	ALL (exc. COE)				
47-54	ALL	SEAT	264831	1	.04
39-46	COE	SEAT	262474	1	.08
39-40	PASS. (exc. JB)				
41-46	ALL (exc. COE)				
47-54	ALL	RETAINER	265471	1	.08

#### 6.527 RACE-RETAINER, Steering Worm Thrust Bearing

29-30	ALL	(1 $\frac{5}{16}$ O.D. x $\frac{1}{16}$ I.D. x $\frac{3}{16}$ thk.)	551413	2	.27
31-40	ALL	(1 $\frac{3}{4}$ O.D. x 1 $\frac{3}{16}$ I.D. x $\frac{3}{8}$ thk.) (Tim. X-6-A Bower 6)	259782	2	.92
41-54	PASS. (exc. P/S)				
41	COMM., UTILITY				
42-46	COMM., UTILITY (exc. COE)	(used w/upper bearing) (1 $\frac{3}{4}$ O.D. x 1 $\frac{3}{16}$ I.D. x $\frac{25}{64}$ thk.) (Hy 10790 Z)	179290	1	.95
47-54	COMM., 1 $\frac{1}{2}$ TON (exc. SBC)	(2 $\frac{3}{16}$ O.D. x 1 $\frac{5}{8}$ I.D. x $\frac{3}{4}$ thk.) (Hy 10983 Z)	178479	1	1.45
42-46	COE	(2 $\frac{1}{8}$ O.D. x 1 $\frac{1}{2}$ I.D. x $\frac{13}{16}$ thk.) (Hy 10899 RX)	270267	1	1.30
47-54	SBC, 2 TON				
47-54	COMM., 1 $\frac{1}{2}$ TON (exc. D-D, SBC)	RETAINER, strg. gear brg.	270852	1	.05
47-54	SBC, 2 TON	ADJUSTER (used as lwr. brg. race)	270268	1	(6.830)

#### 6.530 BEARING, Steering Worm Thrust

29-30	ALL	(1 $\frac{13}{16}$ O.D. x $\frac{3}{8}$ I.D.)	551414	2	.32
31-36	ALL (exc. DA, EA, FA)		259783	2	1.18
34-36	DA, EA, FA				
37-40	ALL				
41-54	PASS. (exc. P/S)		261886	2	1.17
41	COMM., UTILITY				
42-46	COMM., UTILITY (exc. COE)				
47-54	COMM., 1 $\frac{1}{2}$ TON (exc. SBC)	(Hy 10790 S)	179291	2	1.00
42-46	COE	(Hy 10983 R)	178480	2	1.30
47-54	SBC, 2 TON		270266	2	1.30
53-54	ALL P/S		5663618	2	2.05

#### 6.531 NUT, Steering Gear Hydraulic Worm Bearing Lock

53-54	ALL P/S	(1-16 thd.) (1 $\frac{1}{8}$ hex.)	5664762	1	.50
-------	---------	------------------------------------	---------	---	-----

**6.532 ADJUSTER—SCREW—WASHER—NUT—SLEEVE, Steering Gear Worm Thrust**

34-40	PASS. (exc. DC, EC, FC, GB, KB)	assy.	265460	1	1.54
40	KB	assy.	265797	1	1.89
41-48	PASS.	assy.	267190	1	1.54
49-54	PASS. (exc. P/S)	assy.	5660207	1	1.54
31-36	ALL (exc. CC, DA, DC, EA, EC, FA, FD, FC)	SCREW, adjuster	260371	1	1.06
33-36	CC, DC, EC, FC	SCREW, adjuster	261483	1	1.05
37-40	ALL (exc. GA, HA, HB, IA, IB, KA, KB, KH)	SCREW, worm thrust adjuster (1-18 x 1 $\frac{3}{16}$ )	263302	1	.25
37-40	ALL (exc. GA, HA, HB, IA, IB, KA, KB, KH)	WASHER, worm bearing thrust (1 $\frac{3}{4}$ O.D.)	263582	1	.12
37-40	ALL (exc. GA, HA, IA, KA, KB, KH)	NUT, worm thrust screw	263300	1	.12
42-48	COE,				
49-54	PASS. (exc. P/S)	NUT, adjuster lock	267100	1	(5.830)
37-40	ALL (exc. GA, HA, IA, KA, KB, KH)	SLEEVE, bearing lash adjuster	263577	1	1.06

**6.534 BEARING KIT, Steering Gear Shaft**

37-40	ALL				
41-54	PASS.	(2 brgs., 2 races, 4 gaskets)	609943	1	4.42
41	COMM., UTILITY,				
42-46	COMM., UTIL. (exc. COE),				
47-54	COMM., 1 $\frac{1}{2}$ TON (exc. SBC)	(2 brgs., 1 race, 4 gaskets)	609942	1	2.32
47-54	SBC, 2 TON	(2 brgs., 1 race, 2 gaskets)	3847341	1	3.23

**6.550 VALVE ASSY., Steering Gear Hydraulic**

53	ALL P/S		5680076	1	39.50
54	ALL P/S		5681176	1	39.50

**6.551 PLUNGER, Steering Gear Hydraulic Valve Centering**

53	ALL P/S	( $\frac{3}{4}$ x $\frac{5}{8}$ )	5663828	10	.95
54	ALL P/S	( $\frac{3}{8}$ x $\frac{5}{8}$ )	5665638	16	.95

**6.552 SPRING, Steering Gear Hydraulic Valve Centering**

53	ALL P/S	(5 coils—1 $\frac{1}{2}$ free length)	5665555	5	.45
54	ALL P/S	(5 coils— $\frac{3}{4}$ free length)	5681175	6	.45

**6.553 VALVE ASSY., Steering Gear Hydraulic Check**

53-54	ALL P/S		5663874	1	.90
-------	---------	--	---------	---	-----

**6.555 SEAL, Steering Gear Hydraulic Valve Cover**

53-54	ALL P/S	(1 $\frac{3}{8}$ O.D.)	5663837	1	.65
-------	---------	------------------------	---------	---	-----

**6.556 SEAL, Steering Gear Hydraulic Valve "O" Ring**

53-54	ALL P/S	rubber (2 $\frac{1}{2}$ O.D.)	5665836	2	.39
	Not required in this group. See group 6.584	(2 $\frac{1}{4}$ I.D.)	5661386	1	.35

**6.576 CYLINDER, Steering Gear Hydraulic**

53-54	ALL P/S		5663958	1	12.75
-------	---------	--	---------	---	-------

**6.577 GASKET, Steering Gear Power Cylinder**

53-54	ALL P/S	(4 sq. w/1 $\frac{1}{2}$ sq. hole)	5663876	1	.10
-------	---------	------------------------------------	---------	---	-----

**6.578 PISTON ASSY., Steering Gear Hydraulic Cylinder, with Rings**

53-54	ALL P/S		5664557	1	4.90
-------	---------	--	---------	---	------

**6.579 RING, Steering Gear Hydraulic Cylinder Piston**

53-54	ALL P/S	(3 O.D.)	5663824	2	.75
-------	---------	----------	---------	---	-----



<b>6.580 ROD, Steering Gear Hydraulic Piston</b>					
53-54	ALL P/S.....	(5 long).....	5663848	1	3.50
<b>6.581 WASHER—NUT, Steering Gear Hydraulic Power Cylinder Piston Rod</b>					
53-54	ALL P/S.....	thrust ( $\frac{3}{8}$ I.D. x 1 O.D.).....	5663819	2	.15
53-54	ALL P/S.....	NUT, lock ( $\frac{7}{8}$ —20).....	5680151	1	.17
<b>6.584 ADAPTER ASSY.—SEAL, Steering Gear Hydraulic Cylinder</b>					
53-54	ALL P/S.....	(1 adapter, 1 rod seal, 3 "O" ring seals) ..	5664495	1	8.85
53-54	ALL P/S.....	SEAL, adapter piston rod ( $1\frac{1}{8}$ O.D.).....	5664016	1	.65
53-54	ALL P/S.....	SEAL, "O" ring ( $1\frac{1}{8}$ I.D.).....	5661523	1	.30
53-54	ALL P/S.....	SEAL, "O" ring ( $2\frac{3}{4}$ I.D.).....	5661386	2	(6.556)
<b>6.585 PLATE, Steering Gear Stop Rack</b>					
53-54	ALL P/S.....	( $2\frac{1}{2}$ I.D. x $1\frac{1}{4}$ O.D.).....	5663822	1	.15
<b>6.586 RACK, Steering Gear</b>					
53-54	ALL P/S.....		5663849	1	4.85
<b>6.587 PIN, Steering Gear Rack Coupling</b>					
53-54	ALL P/S.....	( $\frac{3}{8}$ O.D.).....	5663850	1	.21
<b>6.590 GUIDE, Steering Gear Rack</b>					
53-54	ALL P/S.....	( $2\frac{3}{8}$ O.L. w/two $\frac{3}{8}$ holes).....	5663869	1	.95
<b>6.591 SHIM, Steering Gear Rack Cover</b>					
53-54	ALL P/S.....	(.003 thick).....	5663880	A.R.	.10
53-54	ALL P/S.....	(.005 thick).....	5663891	A.R.	.10
<b>6.592 COVER, Steering Gear Rack Guide</b>					
53-54	ALL P/S.....	(6 holes $\frac{13}{32}$ dia.).....	5663868	1	1.25
<b>6.603 PUMP ASSY., Steering Gear Hydraulic</b>					
53	ALL P/S.....	(w/out connectors and covers).....	5680078	1	69.50
54	ALL P/S.....	(w/out connectors and covers).....	5680750	1	59.50
NOTE: Use Type "A" G.M. fluid for P/S fluid. See group 4.101.					
<b>6.606 BRACKET, Steering Gear Hydraulic Pump Mounting</b>					
53-54	ALL P/S.....		3703609	1	2.85
<b>6.608 BODY—PIN, Steering Gear Hydraulic Pump</b>					
53-54	ALL P/S.....		5665669	1	10.90
53-54	ALL P/S.....	PIN (ring dowel) ( $\frac{3}{8}$ O.D. x $1\frac{3}{8}$ long).....	5680269	2	.10
<b>6.609 COVER—GASKET—KIT, Steering Gear Hydraulic Pump</b>					
53-54	ALL P/S.....	pump.....	5665650 <sup>⊕</sup>	1	11.50
53-54	ALL P/S.....	GASKET, pump cover (4 holes).....	5664575	1	.20
53-54	ALL P/S.....	GASKET, pump body (3 holes).....	5664589	1	.20
53-54	ALL P/S.....	KIT, gasket.....	5665729*	1	1.50
53-54	ALL P/S.....	BOLT ( $\frac{3}{8}$ —16 x $3\frac{1}{4}$ ).....	189304	2	(8.900)
*NOTE: Consists of gaskets for pump body, pump cover, reservoir cover, and reservoir cover bolt; two pump ring seals; four gasket spacers.					
⊕NOTE: Late design eliminates plug, seal and ring. See group 6.612.					
<b>6.610 ROTOR—VANE KIT, Steering Gear Hydraulic Pump</b>					
53-54	ALL P/S.....	ROTOR ( $1\frac{19}{32}$ O.D. w/14 teeth).....	5664588	1	6.80
53-54	ALL P/S.....	VANE KIT (consists of 12 vanes).....	5664610	1	5.75

**6.611 RING—SEAL, Steering Gear Hydraulic Pump**

53-54	ALL P/S.....	(4 arrows cast on).....	5665438	1	6.75
53-54	ALL P/S.....	SEAL (2 $\frac{5}{8}$ O.D.).....	5664578	2	.35

**6.612 PLATE—SPRING—RING—SEAL—PLUS, Steering Gear Hydraulic Pump**

53-54	ALL P/S.....	PLATE (2 $\frac{1}{4}$ O.D.).....	5665780	1	3.45
53-54	ALL P/S.....	SPRING, flow control (2 $\frac{1}{2}$ free length) (10 coils)	5665652	1	.30
53	ALL P/S.....	RING (snap)(1 $\frac{7}{8}$ O.D.)(use w/early design)...	5665828	1	.06
53	ALL P/S.....	SEAL ("O" ring)( $\frac{1}{2}$ I.D.)(use w/early design).	5680711	1	.15
53	ALL P/S.....	PLUG (spring retainer)(2 $\frac{1}{2}$ O.D.)(use w/early design).....	5665830	1	.25

**6.614 SHAFT, Steering Gear Hydraulic Pump Drive**

53-54	ALL P/S.....		5665657	1	6.90
-------	--------------	--	---------	---	------

**6.615 BEARING—KIT, Steering Gear Hydraulic Pump Drive Shaft**

53-54	ALL P/S.....	(outer).....	954211	1	3.40
53-54	ALL P/S.....	(inner).....	903201	1	1.90
53-54	ALL P/S.....	KIT, repair.....	5665731*	1	24.25

\*NOTE: Consists of 2 bearings, 1 ring, 1 rotor, 1 seal, 12 vanes.

**6.616 RING, Hydraulic Pump Drive Shaft Outer Bearing Retaining**

53-54	ALL P/S.....	(2 O.D.).....	5665651	1	.50
-------	--------------	---------------	---------	---	-----

**6.617 SEAL, Steering Gear Hydraulic Pump Drive Shaft**

53-54	ALL P/S.....		5665833	1	1.25
-------	--------------	--	---------	---	------

**6.624 VALVE ASSY., Steering Gear Hydraulic Pump Control**

53-54	ALL P/S.....	(includes plunger, guide, ball, spring, screw and shim).....	5665656	1	2.95
-------	--------------	--	---------	---	------

**6.635 BODY ASSY.—RESERVOIR KIT—COVER—GASKET—GUIDE—BOLT—WASHER, Steering Gear Hydraulic Pump Reservoir**

53	ALL P/S.....	BODY ASSY.....	5664581	1	3.75
54	ALL P/S.....	RESERVOIR KIT.....	5681696*	1	5.50
53-54	ALL P/S.....	COVER.....	5680157	1	1.95
53-54	ALL P/S.....	GASKET, cover (5 $\frac{1}{2}$ O.D.).....	5664930	1	.30
53-54	ALL P/S.....	GASKET, bolt (1 O.D.).....	5664570	1	.06
53-54	ALL P/S.....	GUIDE (1 $\frac{3}{8}$ I.D. x 1 O.D.).....	5664577	1	.15
53	ALL P/S.....	BOLT (3 $\frac{1}{4}$ —16 x 4 $\frac{3}{4}$ hex. hd.).....	450517	1	.20
54	ALL P/S.....	BOLT (3 $\frac{1}{8}$ —16 x 3 $\frac{3}{4}$ hex. hd.).....	186284	1	.15
53-54	ALL P/S.....	WASHER, bolt (1 $\frac{3}{8}$ I.D. x 1 O.D. x $\frac{3}{16}$ thk.)...	5664573	1	.10

\*NOTE: Consists of 1 Body, 1 Plate, 2 Gaskets, 1 Bolt and 4 Spacers.

**6.635 PULLEY, Steering Gear Hydraulic Pump**

53-54	ALL P/S.....	(5 $\frac{1}{2}$ O.D.).....	3705495	1	1.80
-------	--------------	-----------------------------	---------	---	------

**6.660 BELT, Steering Gear Hydraulic Pump Drive**

53-54	ALL P/S.....	(molded 3703633).....	3703633	1	1.62
-------	--------------	-----------------------	---------	---	------

**6.670 HOSE, Steering Gear Pressure**

53	ALL P/S.....	(21 $\frac{1}{2}$ O.L.) (w/grommet).....	5680087	1	7.35
54	ALL P/S.....	(18 $\frac{1}{8}$ O.L.) (w/grommet).....	5680946	1	6.95

**6.671 HOSE, Steering Gear Return**

53	ALL P/S.....	(19 $\frac{1}{2}$ O.L.).....	5680085	1	6.35
54	ALL P/S.....	(16 $\frac{5}{8}$ O.L.).....	5680942	1	5.35

**6.673 UNION, Steering Gear Hydraulic Valve Hose**

53-54	ALL P/S.....	pressure hose, pump end—return hose, valve end ( $\frac{3}{8}$ —18 both ends).....	5664020	2	.45
53	ALL P/S.....	pressure hose, valve end ( $\frac{3}{8}$ —20 and $\frac{3}{8}$ —18 thds.).....	5665614	1	.45
53-54	ALL P/S.....	return hose, pump end ( $\frac{3}{8}$ —16 thd. both ends).....	5665572	1	.45

**6.674 SEAL, Steering Gear Hydraulic Valve Hose and Fitting "O" Ring**

53-54	ALL P/S.....	pressure hose, pump and—return hose, valve end ( $\frac{3}{8}$ I.D.).....	5664015	2	.17
53	ALL P/S.....	pressure hose, valve end ( $\frac{15}{16}$ I.D.).....	5664142	1	.17
53-54	ALL P/S.....	(used at return port and elbows) ( $\frac{9}{8}$ I.D.)..	5665574	A.R.	.26

**6.677 PIPE, Steering Gear**

53	ALL P/S.....	pressure (valve to hd. end of cyl.— $\frac{3}{8}$ O.D.)	5680024	1	.90
53	ALL P/S.....	pressure (valve to rod end of cyl.— $\frac{3}{8}$ O.D.)	5680023	1	.75
53	ALL P/S.....	bleed line ( $\frac{3}{8}$ O.D.).....	5663872	1	.55
54	ALL P/S.....	pressure (valve to hd. end of cyl.— $\frac{3}{8}$ O.D. x 8 O.L.).....	5680937	1	.95
54	ALL P/S.....	pressure (valve to rod end of cyl.— $\frac{3}{8}$ O.D. x 9 $\frac{1}{8}$ O.L.).....	5680899	1	.85
54	ALL P/S.....	bleed line ( $\frac{3}{8}$ O.D. x 3 O.L.).....	5680912	1	.55

**6.679 BOLT—ELBOW, Steering Gear Hydraulic Valve Pipe to Cylinder**

53-54	ALL P/S.....	BOLT ( $\frac{9}{16}$ —18 thds.— $\frac{1}{4}$ hole) (hyd. valve to cyl.).....	5664907	4	.53
54	ALL P/S.....	BOLT ( $\frac{9}{16}$ —18 x 1 $\frac{1}{2}$ ) (universal fitting) (valve pressure end).....	5681024	1	.55
53-54	ALL P/S.....	ELBOW (universal 90°) (hyd. valve to cyl.)...	5664906	4	.80
54	ALL P/S.....	ELBOW (universal 90°) (valve pressure end)..	5681023	1	.80

**6.758 GROMMET—SEAL, Steering Column**

29-30	ALL,				
31-46	COMM., UTIL. (exc. COE).....	strg. gear, rubber (oval—1 $\frac{1}{8}$ I.D.).....	357507	1	.27
39-46	COE.....	floor pan, rubber (1 $\frac{1}{8}$ I.D.).....	3650830	1	.27
40-48	PASS.....	steering gear, rubber (2 holes— $\frac{11}{32}$ , 1 $\frac{1}{16}$ )	3653690	1	.33
46	COMM., UTILITY (exc. COE).....	cowl, rubber (1 $\frac{1}{2}$ I.D. x 2 O.D.).....	3681057	1	(9.775)
47-53	COMM., UTILITY.....	cowl, rubber ( $\frac{3}{8}$ x 1 x 5 $\frac{3}{4}$ ).....	3685524*	A.R.	.13
47	COMM., UTILITY (exc. COE),				
48-54	1 TON, UTILITY (exc. COE).....	strg. gear, rubber (36° bend—1 $\frac{1}{8}$ I.D. x 4 $\frac{5}{8}$ O.D.).....	3685928	1	.57
48-54	$\frac{1}{2}$ , $\frac{3}{4}$ TON (4-SPD.) (exc. D-D).....	strg. gear, rubber (no bend—1 $\frac{1}{8}$ I.D. x 4 $\frac{5}{8}$ O.D.).....	3686354	1	.40
47-54	COE.....				
48-54	$\frac{1}{2}$ , $\frac{3}{4}$ TON,				
54	1 TON (3-SPD.) (hvy. duty).....	strg. gear, rubber (36° bend—4 holes) ...	3687205	1	.57
54	COMM., UTILITY.....	cowl, upper and lwr. (rubber—1 $\frac{1}{4}$ wide x 3 O.L.).....	3700190	A.R.	.10
42-48	PASS.....	SEAL, control shaft jacket (1 $\frac{1}{8}$ x 1 $\frac{1}{2}$ O.D.)...	3664757	1	.06
42-48	PASS.....	SEAL, toe pan (sponge rubber).....	3663520	1	.18
47	COMM., UTILITY,				
48-54	COE.....	SEAL, toe pan.....	3682871	1	.28
48-54	COMM., UTIL. (exc. COE).....	SEAL, toe pan.....	3687204	1	.26
49-54	PASS.....	SEAL, toe pan (sponge rubber).....	3691549	1	.23
49-54	PASS.....	COVER, strg. gear toe pan seal, rubber (2 holes $\frac{3}{8}$ I.D., 1 $\frac{1}{8}$ I.D.).....	3691548	1	.62

\*NOTE: Cut 2 $\frac{1}{8}$  for use on models 1949-53.

**6.760 CLAMP—BRACKET—SUPPORT—BRACE—CAP, Steering Column**

29-46	ALL (exc. CC, DC, EC, FC, COE),				
47-48	PASS.....	mast jacket.....	369593	1	.35
33-39	ALL (exc. COE),				
40-46	COMM., UTILITY (exc. COE).....	cowl "U" bolt, lower.....	371623	1	.09
34-36	DB, P, EB, Q, FB, R.....	cowl "U" bolt, upper.....	373365	1	.35

37-39	PASS. (exc. JA)	cowl, upper (2 $\frac{1}{8}$ high) w/center shift	594349	1	.35
37-38	COMM., UTILITY	cowl, upper (3 $\frac{9}{16}$ high)	594683	1	.39
39	JA, IB	cowl, upper (w/strg. column shift)	3650519	1	.33
39	COMM., UTIL. (FFC)				
40	COMM., UTIL. (exc. COE)	cowl, upper	3650213	1	.35
39-46	COE	column brace	3651040	1	.18
40-41	PASS.	cowl, lower	3653751	1	.13
41-46	COMM., UTILITY (exc. COE)	cowl, upper	3657033	2	.35
42-48	PASS.	cowl, lower	3664755	1	.18
42-48	PASS. (exc. AEROSEDAN)	cowl, upper (w/control shaft jacket)	3664752	1	.82
42-48	AEROSEDAN	cowl, upper (w/control shaft jacket)	3664751	1	.82
41-46	COE	BRACKET, cowl	3657183	1	.82
47-53	COMM., UTILITY (exc. COE),				
54	D-D, FFC	BRACKET UNIT, cowl w/cap (malleable iron)	3847626	1	1.22
47-53	COE	BRACKET UNIT, cowl w/cap (malleable iron)	3847625	1	1.60
49-50	PASS.	BRACKET, cowl	3689217	1	.86
54	COMM., UTILITY	BRACKET, cowl upper, steel (2 holes $\frac{5}{16}$ )	3700188	1	.25
54	COMM., UTILITY	BRACKET, cowl lower, steel (2 holes $\frac{5}{16}$ )	3700069	1	.25
54	COE	SUPPORT, cowl brkt. (malleable iron) (2 bosses 1 $\frac{1}{4}$ dia.)	3703447	1	2.65
39-46	COE	BRACE, column (on sub frame)	3664315	1	.69
39-46	COE	CAP, cowl bracket	3651164	1	.35
49-50	PASS.	CAP, cowl bracket	3689252	1	.47

#### 6.785 "U" BOLT, Steering Column

34-36	DB, EB, FB, P, Q, R	(4 $\frac{1}{8}$ depth)	373361	1	.27
37-39	PASS. (exc. JA)	(3 $\frac{11}{16}$ depth)	594346	1	.27
39	COMM., UTIL. (exc. COE)	(3 $\frac{7}{8}$ depth)	598892	1	.27
39-40	COMM., UTILITY (FFC)	(4 $\frac{1}{16}$ depth)	3654581	1	.27
40-48	PASS.	(4 $\frac{1}{8}$ depth)	3664750	1	.27
41-46	COMM., UTILITY (exc. COE)	(3 $\frac{11}{16}$ depth)	3657031	1	.27
51-54	PASS.	(2 $\frac{5}{8}$ depth)	3695644	1	.27

#### 6.785 HOUSING, Pitman Shaft

31-35	ALL (exc. CA, CC, DA, DC, EA, EC, ED)	(forged 260368)	260365	1	5.37
34	DA	(forged 261893)	261924	1	5.37
35-36	EA, FA	(forged 262668)	262667	1	5.37
36	FB, H	(forged 262944)	262943	1	5.37
37	GA	(forged 263485) (with seal)	263486	1	5.37
38-39	HA, HB, JB	(forged 264268) (with seal)	264270	1	5.37
39-48	PASS. (exc. JB, KB)	(forged 264813) (with seal)	264814	1	5.37
40	KB	(forged 265801)	265803	1	5.37

#### 6.786 BUSHING-BEARING, Pitman Shaft

29-30	ALL		551409	2	.40
31-36	ALL (exc. CC, DA, DC, EA, EC, ED, FA, FD, FB, H)		259346	2	.40
34	DA		261922	2	.40
35-36	ED, FD, R		259644	2	.40
35-52	PASS. (exc. EC, ED, FC, FD)				
37-46	COMM., UTILITY, GB (exc. COE)				
47-54	COMM., 1 $\frac{1}{2}$ TON (exc. D-D, SBC)				
53-54	ALL P/S	(1 $\frac{1}{8}$ I.D. x 1 $\frac{3}{8}$ )	5662798	A.R.	.56
39-41	COE	(1 $\frac{1}{4}$ I.D. x 1 $\frac{1}{2}$ )	266036	2	.74
42-46	COE	(1 $\frac{1}{4}$ I.D. x 1)	267082	2	.52
47-54	SBC, 2 TON	(1 $\frac{1}{4}$ I.D. x 1 $\frac{3}{8}$ O.D. x 1 $\frac{1}{8}$ wide) (bronze)	270252	1	.74
53-54	PASS. (exc. P/S)	BEARING, housing (1 $\frac{1}{8}$ I.D. x 1 $\frac{3}{8}$ O.D. x 1 thk.)	148418	1	.80
53-54	PASS. (exc. P/S)	BEARING, side cover (1 $\frac{1}{8}$ I.D. x 1 $\frac{3}{8}$ O.D. x $\frac{3}{4}$ thk.)	451974	1	.80

#### 6.788 BOLT, Pitman Shaft Housing Adjusting

31-36	ALL				
37-48	PASS. (exc. GB)	( $\frac{3}{8}$ -24 x 1 $\frac{1}{2}$ )	259255	1	.13

#### 6.789 SLEEVE, Pitman Shaft Housing Adjusting

31-36	ALL				
37-48	PASS. (exc. GB)		259265	1	.28



**6.791 BOLT, Pitman Shaft Housing Pivot**

31-36	ALL,				
37-48	PASS. (exc. GB)	( $\frac{3}{8}$ -24 x $1\frac{1}{2}$ )	259256	1	.13

**6.797 BRACKET—SHIELD—CAP—SUPPORT, Steering Gear Mounting**

37-46	KF, AN, BN, DS, UTIL. (exc. COE)	(cast 594458)	594458	1	.91
37-46	COMM. (exc. KF, AN, BN, DS)	(cast 594584)	594584	1	.91
39-40	COE	(cast 3650445)	3650445	1	1.54
41-48	COE	(cast 3663861) (used w/269910)	3663861	1	3.66
48-54	DUBL-DUTI	(cast 3687517)	3687517	1	4.85
53	ALL P/S		3704296	1	6.25
49-51	PASS.	SHIELD, housing	3689037	1	1.09
52	PASS.	SHIELD, housing	3700401	1	1.09
37-46	COMM., UTILITY (exc. COE)	CAP, brkt. (cast 594460)	594460	1	.42
39-46	COE	CAP, brkt. (cast 3650577)	3650577	1	.42
48-54	DUBL-DUTI	SUPPORT, bracket	3687518	1	2.97
39-54	PASS. (exc. JB, KB)	PLATE, mounting	390402	1	.18
48-54	DUBL-DUTI	REINFORCEMENT, support	3702183	1	1.15

**6.803 HOUSING, Steering Gear**

31-36	ALL (exc. DA, EA, FA, FD)	(with studs and nuts) (cast 260364)	260364	1	7.66
34-36	DA, EA, FA, FD	(with studs and nuts) (cast 281892)	282237	1	7.66
37	GB		263528	1	7.66
37-40	COMM., UTIL. (exc. COE)		263870	1	7.66
37	GA		263963	1	7.66
38-39	HA, HB, JB	(cast 264265)	264267	1	7.66
39	JA		264811	1	7.66
40-48	PASS. (exc. KB)		265761	1	7.66
40	KB		265800	1	7.66
41	COMM., UTIL. (exc. COE)		266732	1	7.66
41	COE	(with mast jacket)	266858	1	12.69
42-46	COMM., UTILITY (exc. COE)	(with bushings) (cast 266733)	267882	1	7.66
47-54	COMM., 1½ TON (exc. D-D, SBC)	(w/bushing)	270279	1	9.52
47-53	SBC, 2 TON (exc. COE)	(w/bushing and mast jacket)	270249	1	13.50
47-53	COE	(w/bushing and mast jacket)	270780	1	13.50
48-53	DUBL-DUTI	(w/bushing and mast jacket)	5660835	1	12.25
49-50	PASS. (1st Design)	(w/bushing and mast jacket)	5661895	1	10.03
50-52	PASS. (2nd design)	(w/bushing and satin gray mast jacket) (raised "X" cast)	5664337	1	10.03
53	PASS. (exc. P/S)	(w/bearing and mast jacket)	5665661	1	10.30
53	ALL P/S	(w/bearing and seal)	5680207	1	19.75
54	PASS. (exc. P/S)	(w/bearing and mast jacket—India ivory)	5668925	1	10.30
54	ALL P/S	(w/bearing and seal)	5680723	1	19.75
54	DUBL-DUTI	(w/bushing and mast jacket)	5665317	1	12.25
54	SBC, 2 TON (exc. COE)	(w/bushing and mast jacket)	5665262	1	13.50
54	COE	(w/bushing and mast jacket)	5665268	1	13.50

NOTE: Steering Gear Housings for 1942-46 COE are not serviced. See Group No. 6.508.

**6.805 GASKET, Steering Gear Housing**

34-36	DA, EA, ED, FA, FD	pitman shaft housing, paper	262174	1	.07
34-48	PASS. (exc. GB)	pitman shaft housing (2½ I.D. x ¾ cork)	261883	1	.07
47-54	COMM., 1½ TON (exc. D-D, SBC)	(top cover, paper) (2¾ I.D. 3½ O.D.)	270317	1	.06

**6.806 PLUG—BEARING—SEAL—VENT, Steering Gear**

42-46	COMM., UTIL. (exc. COE)	( $\frac{3}{8}$ pipe w/ $\frac{1}{8}$ dia. breather hole)	3666729	1	.13
53-54	ALL P/S	BEARING, worm upper	453896	1	1.15
53-54	ALL P/S	SEAL, worm (1½ I.D. x 1¾ O.D. x ¾ thk.)	5663834	1	.85
53	ALL P/S	VENT ( $\frac{3}{8}$ O.D. x ¾ O.L. w/ $\frac{1}{8}$ pipe thd.)	3664939	1	(5.387)
54	ALL P/S	VENT, w/filler plug (1½ O.L.—½ taper thd.)	5681084	1	.40

**6.807 COVER ASSEMBLY, Steering Gear Housing (also see group 6.518)**

37-40	ALL (exc. GA, HA, HB, JA, JB, KA, KB, KH)	(with bushing, housing side) (cast 263585)	263592	1	1.88
41	COMM., UTIL. (exc. COE)	(with bushing, housing side) (cover hole size $\frac{1}{2}$ ) (cast 266701)	266700	1	1.88

41	COE,				
42-46	COMM., UTILITY,				
48-54	DUBL-DUTI.....	side cover.....	267387	1	1.88
47-54	COMM., UTIL. (exc. D-D).....	side cover w/bushing (cast 270248).....	270247	1	1.88
49-52	PASS.....	side cover.....	5661335	1	1.88
53-54	PASS. (exc. P/S).....	side cover.....	5665667	1	2.25
53-54	ALL P/S.....	side cover.....	5663821	1	2.00

**6.809 GASKET, Steering Gear Housing Side Cover**

37-40	ALL (exc. GA, HA, HB, JA, JB, KA, KB, KH).....		263591	1	.07
41-46	COMM., UTILITY,				
48-54	DUBL-DUTI.....	(.020).....	269298	1	.07
47-54	COMM., UTIL. (exc. D-D).....		270537	1	.06
49-54	PASS. (exc. P/S).....	(2 $\frac{1}{8}$ I.D.).....	5660222	1	.07
53-54	ALL P/S.....	(one 3 $\frac{1}{4}$ hole, four $\frac{1}{8}$ holes).....	5663817	1	.10

**6.822 ADJUSTER—SCREW, Pitman Shaft**

41-54	COMM., UTILITY,				
49-54	PASS. (exc. P/S).....	lash.....	266678	1	.40
31-36	ALL (exc. DA, EA, ED, FA, FD).....	SCREW, adjuster (3 $\frac{1}{8}$ —18 x 1 $\frac{1}{8}$ ).....	259233	1	.28
34-36	DA, EA, FA,				
37-40	ALL (exc. HB, JB, KB),				
41-48	PASS.....	SCREW, adjuster (1 $\frac{1}{8}$ —18 x $\frac{1}{8}$ ).....	262566	1	.28
38-40	HB, JB, KB.....	SCREW, adjuster.....	264341	1	.28

**6.823 NUT, Pitman Shaft Adjusting Screw**

34-40	ALL (exc. DB, DC, P, EB, EC, Q, FB, FC, R),				
41-48	PASS.....	(1 $\frac{1}{8}$ —18).....	262567	1	.06

**6.824 COVER, Steering Gear Housing End**

37	ALL (exc. GA),				
38-40	COMM., UTILITY.....	with lash adjuster, forged 263578.....	263581	1	1.18
41	COMM., UTILITY,				
42-46	COMM., UTILITY (exc. COE),				
48-54	DUBL-DUTI.....	(1 $\frac{7}{8}$ —16 thread) (forged 267690).....	267690*	1	1.23
42-46	COE.....	(2 $\frac{1}{4}$ —16 thread) (forged 267097).....	267097	1	1.54
47-54	SBC, 2 TON.....	(2 $\frac{1}{8}$ —16 thread).....	270269	1	1.34
53-54	ALL P/S.....	w/bearing.....	5663830	1	2.50

\*NOTE: When using 267690 on 1941 models, use correct Adjuster as shown in Group 6.830.

**6.825 GASKET, Steering Gear End Cover**

37	ALL (exc. GA),				
38-40	COMM., UTILITY.....		263590	1	.07
41	COMM., UTILITY,				
42-46	COMM., UTIL. (exc. COE),				
48-54	DUBL-DUTI,				
53-54	ALL P/S.....		266092	1	.07
47-54	SBC, 2 TON.....		270270	1	.06

**6.826 BEARING, Steering Gear Worm Lower**

53-54	ALL P/S.....	( $\frac{3}{4}$ x 1 $\frac{1}{2}$ O.D.).....	453897	1	1.18
-------	--------------	--	--------	---	------

**6.828 SHIM, Steering Gear Lash Adjuster**

41-54	COMM., UTILITY.....	UNIT, contains (1) each .083, .085, .087 and			
49-54	PASS.....	.069 shims.....	605142	1	.35

**6.830 ADJUSTER—NUT, Steering Worm Bearing**

41	COMM., UTILITY,				
42-46	COMM., UTIL. (exc. COE),				
47-54	COMM., 1 $\frac{1}{2}$ TON (exc. SBC).....	(1 $\frac{1}{8}$ —16 thread).....	267689*	1	1.18

42-46	COE.....	(2¼-16 thread).....	267099	1	1.18
47-54	SBC, 2 TON.....	(2½-16 x 1½).....	270268	1	1.18
41	COMM., UTILITY,				
42-46	COMM., UTIL. (exc. COE),				
47-54	COMM., 1½ TON (exc. SBC).....	NUT.....	266677	1	.37
42-46	COE,				
49-54	PASS. (exc. P/S).....	NUT.....	267100	1	.37
47-54	SBC, 2 TON.....	NUT, adjuster lock (2½-16 x 2½ hex.).....	270274	1	.37

\*NOTE: When using 267689 on 1941 models, use correct Cover as shown in Group 6.824.

#### 6.841 NUT, Steering Gear Ball

41	COMM., UTIL. (exc. COE).....		266667	1	4.92
42-46	COMM., UTIL. (exc. COE).....		267501	1	4.92
42-46	COE.....		267610	1	4.92
47-54	COMM., 1½ TON (exc. D-D, SBC).....		270285	1	4.92
47-54	SBC, 2 TON.....		270263	1	4.92
48-54	DUBL-DUTI.....	(4 holes 1¾ dia.—2½ O.L.).....	5666035	1	4.92
53-54	ALL P/S.....	(2½ O.L.).....	5666036	1	4.92

#### 6.842 GUIDE, Steering Gear Ball Return

41	COE.....		266188	4	.18
41	COMM., UTIL. (exc. COE).....		266048	4	.18
42-46	COMM., UTIL. (exc. COE).....		267502	4	.18
42-46	COE.....		266497	4	.18
47-54	COMM., 1½ TON (exc. SBC),				
53-54	ALL P/S.....		267542	4	.18
47-54	SBC, 2 TON.....		270264	4	.18

#### 6.843 CLAMP, Steering Gear Ball Return Guide

41-46	COMM., UTIL. (exc. COE).....	(3 bolt holes).....	266727	1	.18
41	COE,				
47-54	COMM., 1½ TON (exc. SBC),				
53-54	ALL P/S.....	(½ wide).....	5663333	1	.18
42-46	COE,				
47-54	SBC, 2 TON.....	(L.H. thread).....	270265	1	.18

#### 6.844 BALL, Steering Gear

42-54	COMM., UTILITY,				
53-54	ALL P/S.....	(¾ dia.).....	266800	A.R.	.03

#### 6.850 SHAFT UNIT, Steering Gear Pitman

37	GA.....		609938*	1	9.43
37-40	COMM., UTIL. (exc. COE).....		609936*	1	8.00
38	HA.....		609939*	1	9.35
38-39	HB, JB.....		609940*	1	9.33
39-48	PASS. (exc. JB, KB).....		609941*	1	9.48
40	KB.....		609935*	1	9.33
41-46	COMM., UTIL. (exc. COE).....		609937*	1	8.20
47-54	COMM., 1½ TON (exc. D-D, SBC).....		3847342*	1	7.70
47-54	SBC, 2 TON.....		3847343*	1	7.72
48-54	DUBL-DUTI.....		3690100*	1	8.23
49-50	PASS. (1st Design).....	(1.770 O.D.).....	3690519*	1	9.67
50-52	PASS. (2nd Design).....	(1.750 O.D.).....	3695603*	1	9.80
53-54	PASS. (exc. P/S).....		3703611*	1	10.15
53-54	ALL P/S.....		5680374*	1	10.35

\*NOTE: These units include Steering Gear Pitman Shaft with necessary bushings, gaskets, packings, and packing retainers to make an installation.

#### SHAFT, Steering Gear Pitman

29-30	ALL.....	pitman arm.....	552536	1	4.42
31-32	ALL.....	w/sector (No. 72).....	260372	1	5.43
33-35	CC, DC, EC.....	w/sector.....	261590	1	5.98
33-36	CA, CB, DB, EB, FC, O, P, Q.....	w/sector (No. 59).....	261353	1	5.98
34	DA.....	w/roller.....	261926	1	8.12

35-36	EA, FA	w/roller	262672	1	8.12
35-36	ED, FD	w/sector	262810	1	5.55
36	FB, R	w/sector	262946	1	5.98
37	GB	w/sector	263624	1	5.98
39-40	COE	w/sector	264521	1	7.57
41	COE	w/sector	266866	1	8.90
42-46	COE	w/sector	267738	1	8.90

**6.855 WASHER—PACKING—SEAL—SPACER—BUSHING, Pitman Shaft**

37-40	COMM., UTIL. (exc. COE)	sector thrust (1 1/4 O.D.)	263306	1	.06
35-46	ALL (exc. EB, EC, ED, Q, FB, FC, FD, R, IA, KA, AG, AH, BG, BH, DI, DK, COE)	PACKING, shaft cork (1 3/4 O.D. x 1 1/2 I.D. x 1/4)	262155	1	.17
36	FC	PACKING, shaft	263010	1	.17
47-54	COMM., 1 1/2 TON (exc. SBC),				
49-52	PASS.				
53-54	ALL P/S	PACKING, strg. shaft (1 3/4 I.D. x 1 1/4 O.D.)	270289	1	.20
47-54	SBC, 2 TON	PACKING, strg. shaft (1 1/2 I.D. x 1 1/4 O.D. x 1 1/2)	269299	1	.17
34	DA	SEAL, shaft (1/8 I.D. x 1/4 diameter)	601408	1	.32
39-48	PASS. (exc. JB, KB)				
53-54	PASS. (exc. P/S)	SEAL, pitman shaft grease	263463	1	.64
39-46	COE	SEAL	265283	1	.74
37-40	COMM., UTIL. (exc. COE)	SPACER, shaft bushing (1 1/8 I.D. x 1 1/2)	263583	1	.17
37-40	COMM., UTIL. (exc. COE)	BUSHING	266300†	1	1.17

†NOTE: 266300 used in place of 263583 to eliminate chattering and binding on pitman shaft.

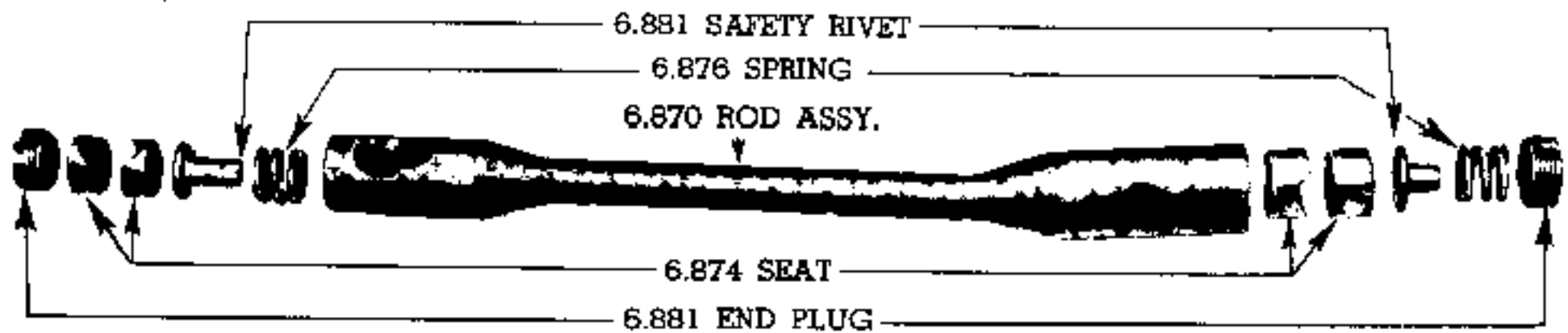
**6.856 RETAINER, Pitman Shaft Packing**

35-40	PASS. (exc. EC, ED, FC, FD, IA, KA)				
37-42	COMM., UTIL. (exc. COE)				
47-54	COMM., 1 1/2 TON (exc. SBC)				
49-52	PASS.				
53-54	ALL P/S	(1 1/8 O.D. x 1/4)	262156	1	.08
47-54	SBC, 2 TON	(1 3/8 O.D. x 1 1/2)	259808	1	.08
37-40	ALL (exc. GA, HA, HB, IA, JB, KA, KB, KH, COE)	WASHER, pitman shaft packing, inner (1 3/4 O.D. x 1 1/2 I.D. x 1/2)	263307	1	.06

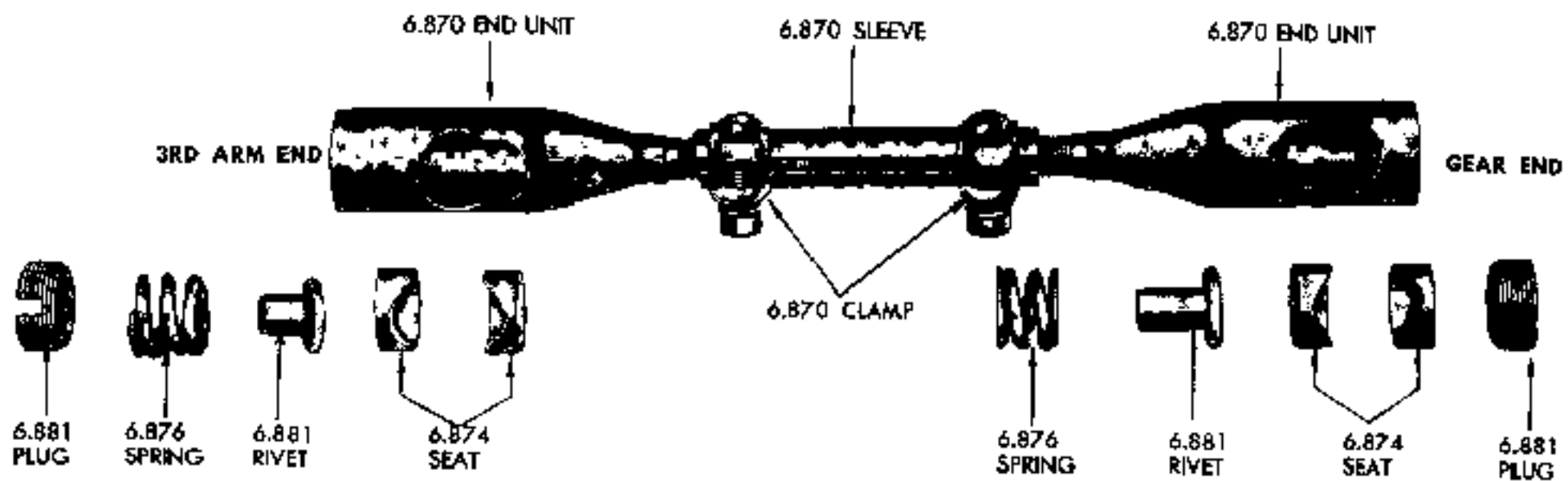
**6.859 ARM, Pitman**

29-32	ALL				
33-35	DB, EB, O, P, Q	forged 357696	354415	1	3.25
33	CA, CB	forged 371267	371633	1	3.25
33-35	CC, DC, EC	forged 473792	473791	1	3.25
35-36	EA, ED, FA, FD	forged 378049	378033	1	3.25
36	FB, R	forged 475166	475165	1	3.25
36	FC	forged 475840	475839	1	3.25
37	GA	forged 594083	594081	1	3.35
37-42	UTILITY (exc. COE)				
46	DS, O, P (exc. COE)	forged 594654	594653	1	3.35
37-46	COMM. (exc. DR, DS)	forged 595251	595271	1	3.35
37	GB	(w/strg. conn. rod) forged 603402	603481*	1	7.95
38	HB	(w/strg. conn. rod) forged 3650405	603483*	1	7.95
38	HA	forged 597705	597701	1	3.35
39	JA	(1/8 thru tie rod stud bracket) forged 599645	599639	1	5.85
39	JA	(3/4 thru tie rod stud bracket) forged 3651544	3651543	1	5.85
39	JB	(rubberized ball seat type) forged 350387	350387	1	2.65
39-40	COE	forged 265414	265412	1	3.08
40-48	PASS. (exc. KB)	forged 3653436	3653435	1	5.85
40	KB	forged 3653423	3653493	1	3.35
41-46	COE	forged 265414	266885	1	3.08
46	DR	forged 3682591	3682589	1	3.35
47-50	QL, QV, QW, QX, RL, RV, RW, RX, SL, SV, SW, SX, TL, TV, TW, TX, TY	forged 3683253	3683279	1	3.35
47-50	COMM., 1 1/2 TON (exc. D-D, SBC)				
51-52	COMM. (exc. D-D)	forged 3683299	3683297	1	3.35
47-50	COE	forged 3684947	3684945	1	4.08
48-52	DUBL-DUTI	forged 3687491	3687489	1	3.35
49-54	PASS. (exc. P/S)	forged 3691185	3691183	1	3.35





### STEERING CONNECTING ROD



### 1949-54 PASSENGER STEERING CONNECTING ROD

51-54	1½ TON (exc. SBC),				
53-54	COMM. (exc. D-D)	forged 3694905	3694905	1	2.97
51-54	SBC, 2 TON (exc. COE)	forged 3694893	3694893	1	2.97
51-54	COE	forged 3694919	3694919	1	3.68
53-54	ALL P/S	forged 3704297	3704297	1	3.35
53-54	DUBL-DUTI	forged 3699698	3699698	1	2.97
39	JB	STUD, arm ball (3¾ O.L.)	350389	1	1.32

\*NOTE: Consists of 1 each strg. conn. rod, pitman arm, rod seal cover, and 2 rod seals.

#### 6.861 NUT-LOCKWASHER, Pitman Arm

35-54	ALL (exc. EC, P/S)	(¾-16 x ⅜ thick-1¼ hex.)	254291	1	.13
53-54	ALL P/S		258779	1	.25
41-46	COE,				
47-48	UTILITY (exc. COE)	L/WASHER (1¼ O.D. x ¾ I.D. x ⅜ thick)	254772	1	.06

#### 6.862 BUSHING, Pitman Arm

39-48	PASS. (exc. JB, KB)		599643	4	.24
39	JB		350390	2	.22

#### 6.863 BOLT, Pitman Arm Stop

34-36	DA, EA, FA	(brkt. to strg. gear flg.) (¾-14 x 3¼)	376699	A.R.	.13
-------	------------	--	--------	------	-----

#### 6.865 RETAINER, Pitman Arm Bushing

39-48	PASS. (exc. JB, KB)		599647	1	.13
-------	---------------------	--	--------	---	-----

**6.870 ROD ASSEMBLY, Steering Connecting (with internal parts)**

29-33	ALL (exc. CA, CC)		357571	1	4.02
33	CA		370811	1	4.02
33-35	CC, DC, EC		473795	1	4.30
34	DA		375375	1	4.30
34-36	DB, P, EB, Q, FB, R		373781	1	4.30
35-36	EA, FA		378049	1	4.30
35-36	ED, FD		474807	1	4.23
36	FC		475833	1	4.30
37	GB	(with pitman arm)	603481	1	(6.859)
37-38	GA, HA		594153	1	4.30
37-48	COMM., UTIL. (exc. COE)		609749	1	4.30
38	HB	(with pitman arm)	603483	1	(6.859)
39	IB		603389	1	4.30
39-48	COE	( $\frac{3}{4}$ in. dia. rod.)	3847673	1	5.20
40	KB		605385	1	4.30
47-50	COMM., UTIL. (exc. D-D, COE)				
51-52	COMM. (exc. D-D)		3699489	1	4.30
47-51	COE		3693941	1	4.30
48-52	DUBL-DUTI		3690281	1	4.02
51-54	UTILITY (exc. COE)				
53-54	COMM. (exc. D-D)		3696469	1	4.83
52-54	COE		3696467	1	4.83
53-54	DUBL-DUTI		3700038	1	4.83

**END-SLEEVE-CLAMP, Steering Connecting Rod**

49-54	PASS. (exc. P/S)	END UNIT, w/L.H. threads (at 3rd arm)	3690842	1	1.93
49-54	PASS.	END UNIT, w/R.H. threads (at pitman arm)	3690844	1	1.93
53-54	ALL P/S	END UNIT, w/L.H. threads (at front end)	3704303	1	1.98
49-54	PASS.	SLEEVE, adjusting ( $\frac{3}{16}$ —18 both ends)	3687942	1	.64
49-54	PASS.	CLAMP, sleeve	599234	2	(6.234)

**6.874 ROD UNIT, Steering Connecting**

32-40	ALL (exc. JA, KA, KH)				
41-52	COMM., UTILITY (exc. U, V)				
49-54	PASS.		608840*	A.R.	2.03
30-40	ALL (exc. JA, KA, KH)				
41-52	COMM., UTILITY (exc. U, V)				
49-54	PASS.	SEAT, ball	595586	4	.23

\*NOTE: Consists of 2 springs, 3 plugs, 4 seats, and 2 safety rivets.

**6.876 SPRING, Steering Connecting Rod**

29-40	ALL (exc. JA, KA, KH)				
41-52	COMM., UTILITY (exc. U, V)				
49-54	PASS.		335976	2	.28

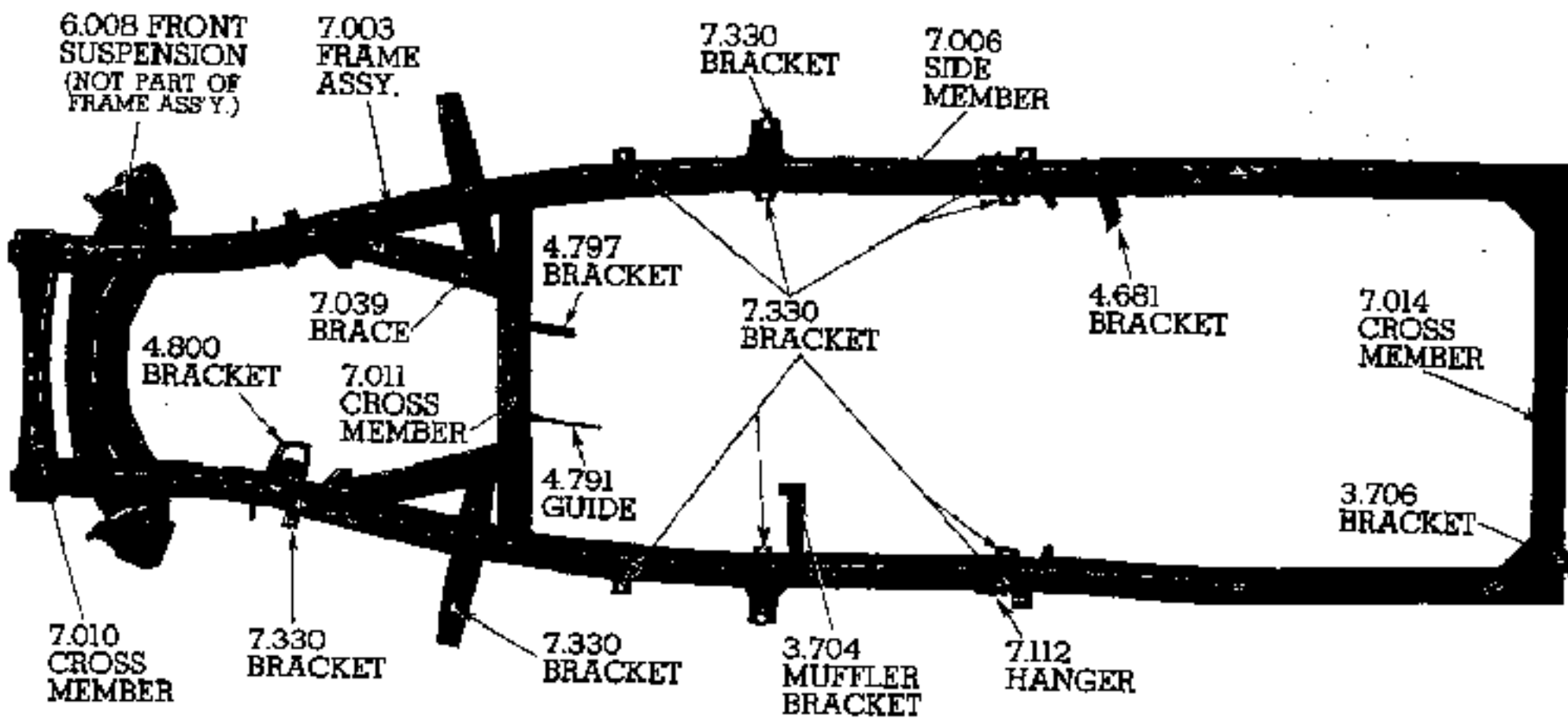
**6.881 PLUG, Steering Connecting Rod**

29-39	ALL (exc. JA)				
40-52	COMM., UTILITY (exc. U, V)				
49-54	PASS.	rod end ( $1\frac{1}{8}$ —18 threads x $\frac{1}{2}$ O.L.)	335977	2	.23
37-40	ALL (exc. JA, KA, KH)				
41-52	COMM., UTILITY (exc. U, V)				
49-54	PASS.				
53-54	$\frac{1}{2}$ , $\frac{3}{4}$ TON	safety ( $\frac{1}{2}$ dia. x 1 O.L.—1 dia. head)	595587	2	.17
30-40	ALL (exc. P, Q, JA, KA, KH)				
41-48	COMM., UTILITY				
49-52	ALL (exc. U, V)				
53-54	PASS.	RIVET, safety (used as ball seat plug) ( $\frac{1}{2}$ dia. x $1\frac{1}{8}$ O.L.—1 dia. head)	354456	A.R.	(6.255)

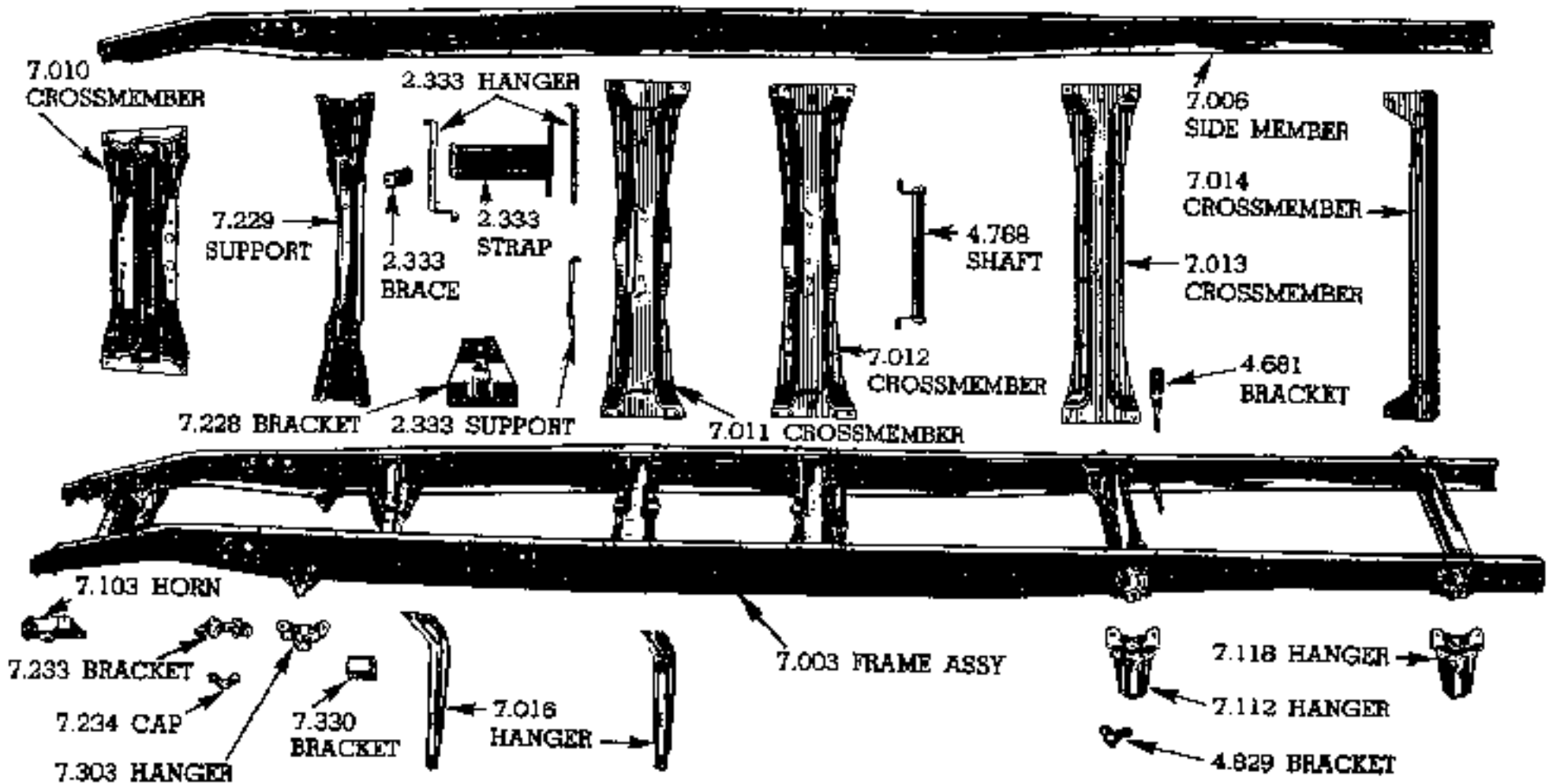
**6.886 SEAL, Steering Connecting Rod**

39-40	JB, KB		3650338	2	.13
49-54	PASS.	(molded 3705009)	3705009*	2	.17

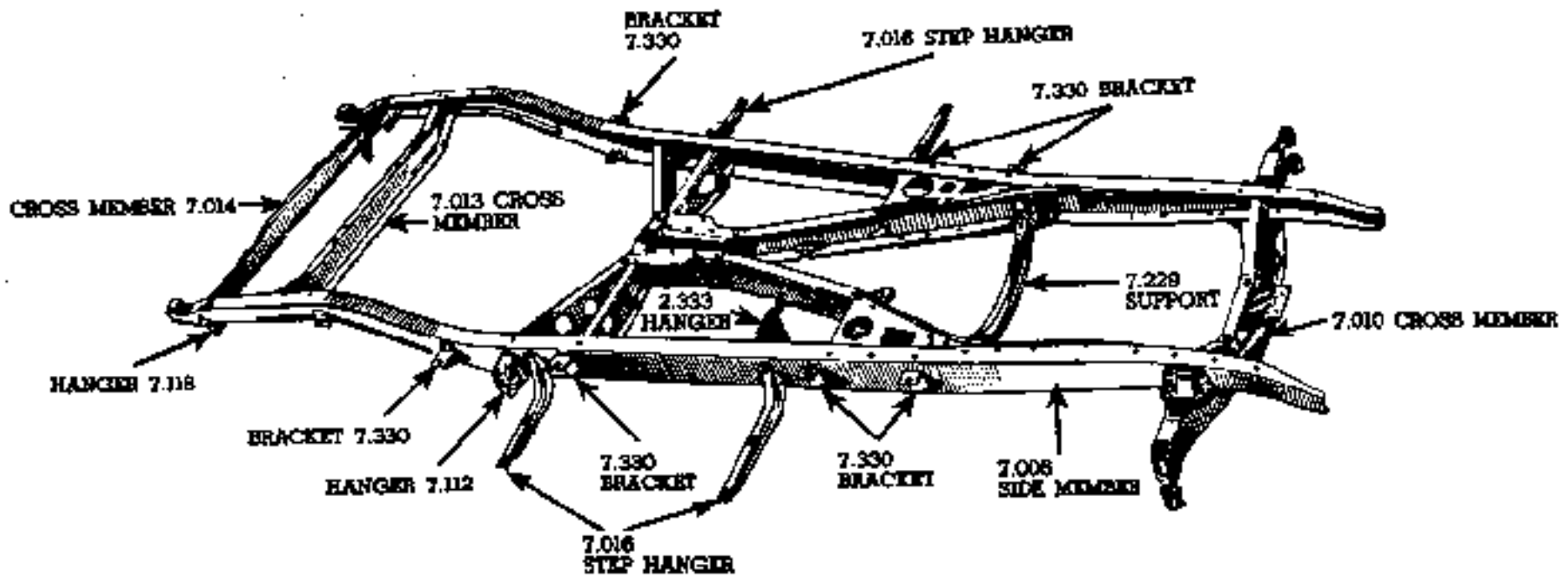
\*NOTE: On units equipped w/P/S quantity required is one.



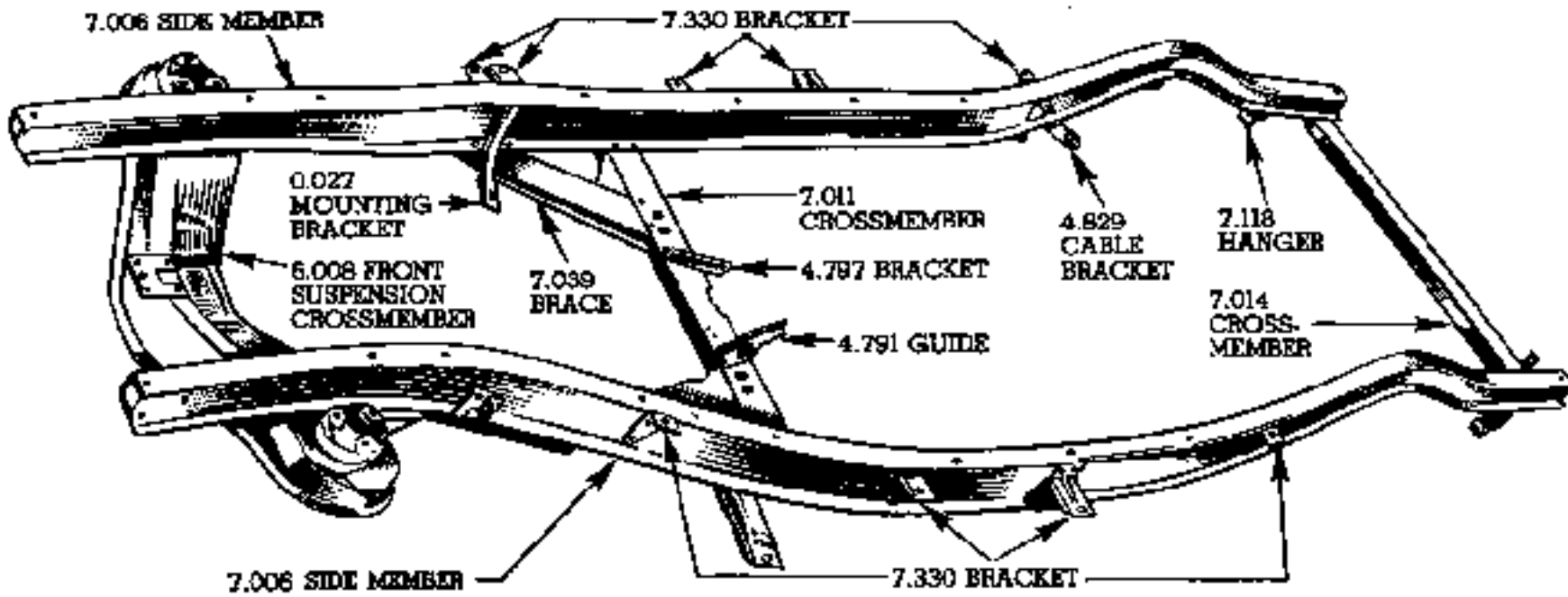
1949-50 PASSENGER FRAME (Exc. CONV.)



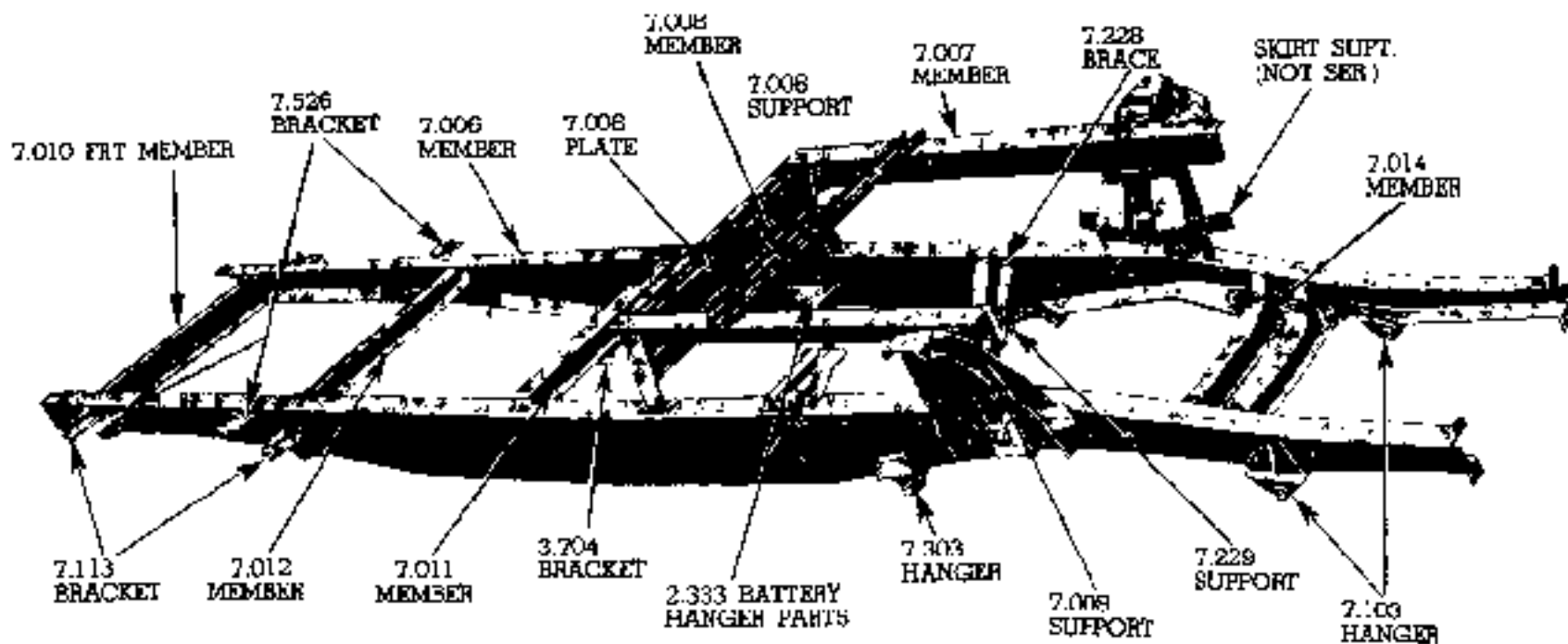
TRUCK FRAME



1937-39 "YK" TYPE FRAME



1940-48 BOX GIRDER FRAME



COE FRAME AND SUB-FRAME ASSY.



# CHEVROLET MASTER PARTS CATALOG

YEAR	MODEL	PART NAME	PART NO.	NO. USED	LIST PRICE
<b>7.003 FRAME ASSEMBLY (less step hangers and battery hanger)</b>					
41-48	PASS. (exc. CONV.)		606821	1	76.18
41-46	½ TON		605359	1	68.46
41-46	AM, YR, BN, MR, OE, OR, DS, PJ, PV		605363	1	103.38
41-46	YS, MS, OF, OS, PK, PW		605365	1	149.63
41-48	CONV.	(see Note A)	606825	1	108.52
41-46	AL, AM, BL, BM		609871	1	76.17
47-53	½ TON	(3100)	3694656	1	90.91
47-53	¾ TON (exc. D-D)	(3600)	3704276	1	103.38
47-53	ES, QI, FS, RJ, GS, SJ, HS, TI, JS, UI, ES, VI, L, N	(4100)	3898092	1	141.46
47-53	UTIL. (w/161" WB)	(4400—4500—6400)	3704328†	1	168.52
47-52	QP, RP, SP, TP, UP, VP	(5100)	3691745	1	141.46
47-52	QR, RR, SR, TR, UR, VR	(5400)	3691747	1	141.46
47-52	QS, RS, SS, TS, US, VS	(5700)	3691749	1	157.78
47-52	QV, RV, SV, TV, UV, VV	(6100)	3691742	1	152.37
47-52	QX, RX, SX, TX, UX, VX	(6700)	3691743	1	185.00
48-53	¾ TON DUBL-DUTI	(3700)	3704278	1	106.11
49-51	PASS. (exc. CONV., B-A, P.G.)	(1500—2100)	3697648	1	89.75
49-51	CONV.	(2100)	3697643†	1	150.72
50-51	PASS. w/P.G. (exc. CONV., B-A)	(2100)	3697641	1	89.75
50-51	BEL AIR (exc. P.G.)	(2100)	3697839†	1	108.82
50-51	BEL AIR w/P.G.	(2100)	3697647†	1	108.82
50-53	TY, UY, VY, X	(6500)	3704333	1	194.00
52	PASS. (exc. CONV., B-A)	(1500—2100)	3701191	1	89.75
52	CONV.	(2100)	3701193	1	150.73
52	BEL AIR	(2100)	3701195	1	116.17
52-53	VZ, Z	(6800)	3704335	1	211.00
53	PASS. (exc. CONV., SPT. CPE.)	(1500—2100—2400)	3703549	1	89.75
53-54	CONV.	(2100—2400)	3703691	1	150.73
53	SPT. CPE.	(2400)	3703615	1	116.17
53	V	(6100)	3704332	1	154.95
53	Y	(6700)	3704334	1	194.00
53	S	(5100)	3704329	1	146.00
53	T	(5400)	3704330	1	146.00
53	U	(5700)	3704331	1	160.00
54	PASS. (exc. CONV., SPT. CPE.)	(1500—2100—2400)	3710289	1	89.75
54	SPT. CPE.	(2400)	3710291	1	116.25
54	½ TON	(3100)	3710215	1	90.75
54	¾ TON (exc. D-D)	(3600)	3710216	1	103.50
54	¾ TON D-D	(3700)	3710217	1	106.50
54	1 TON, N (exc. D-D)	(3800—4100)	3710218§	1	141.50
54	UTILITY (w/161" W.B.)	(4400—4500—6400)	3710220†	1	168.50
54	S	(5100)	3710221	1	149.50
54	T	(5400)	3710222	1	149.50
54	U	(5700)	3710223	1	165.00
54	V	(6100)	3710224	1	157.50
54	X	(6500)	3710225	1	197.50
54	Y	(6700)	3710226	1	197.50
54	Z	(6800)	3710227	1	215.00

NOTE A: On jobs originally equipped with ½—13 bumper bolts, enlarge bar attaching bolt holes and use ⅝—12 hex. head bolts.

†NOTE: When using these frames on models prior to 1951, replace Front Brake Hose Frame Brackets (furnished w/assy.) and relocate R.H. Rear Brake Hose Frame Bracket.

‡NOTE: When using on SBC models, remove the left and right extensions and extension cross member from old frame and install on new frame.

§NOTE: Front frame extension 3707000 (7.009) required when using on N models.

**7.005 REINFORCEMENT, Side Member**

41-46	YS, YT, MS, MT, MY, OF, OG, OS, OW, OY, PK, PL, PW, PX	left	3661379	1	12.52
41-46	YS, YT, MS, MT, MY, OF, OG, OS, OW, OY, PK, PL, PW, PX	right	3661380	1	12.52
41-48	TU, MU, OH, PP	left	3661381	1	9.26

**7.006 MEMBER, Frame Side**

41-48	PASS. (exc. CONV.)	left	606823	1	25.03
41-48	PASS. (exc. CONV.)	right	606824	1	25.03
41-46	YS, MS, MY, OF, OS, OW, PK, PL, PW	left	3656933	1	23.46
47-53	1/2 TON	left (3100)	3695263	1	16.11
47-53	1/2 TON	right (3100)	3695264	1	16.11
47-52	3/4 TON (exc. D-D)	left (3600)	3698739	1	19.34
47-52	3/4 TON (exc. D-D)	right (3600)	3698740	1	19.34
47-53	ES, QJ, FS, RJ, GS, SJ, HS, TJ, JS, UI, KS, VI, L, N (exc. hvy. duty)	left (3800-4100)	3699223	1	30.88
47-51	ES, QJ, FS, RJ, GS, SJ, HS, TJ, JS, UI	right (3800-4100)	3697878	1	30.88
47-52	UTIL. (w/161" WB)	left (4400-4500-6400)	3699209	1	42.43
47-53	UTIL. (w/161" WB)	right (4400-4500-6400)	3703462	1	42.43
47-52	QV, RV, SV, TV, UV, VV, QJ, RJ, SJ, TJ, UI, VI, (hvy. duty)	left (4100-6100)	3699161	1	37.60
47-52	QV, RV, SV, TV, UV, VV, QJ, RJ, SJ, TJ, UI, VI (hvy. duty)	right (4100-6100)	3699162	1	37.60
47-52	QX, RX, SX, TX, UX, VX	left (6700)	3699217	1	80.55
47-52	QX, RX, SX, TX, UX, VX	right (6700)	3699218	1	80.55
47-52	QP, RP, SP, TP, UP, VP	left (5100)	3699211	1	37.60
47-52	QP, RP, SP, TP, UP, VP	right (5100)	3699212	1	37.60
47-52	QR, RR, SR, TR, UR, VR	left (5400)	3684889	1	42.43
47-52	QR, RR, SR, TR, UR, VR	right (5400)	3699160	1	42.43
47-52	QS, RS, SS, TS, US, VS	left (5700)	3699213	1	45.66
47-52	QS, RS, SS, TS, US, VS	right (5700)	3699214	1	45.66
48-52	3/4 TON D-D	left (3700)	3698737	1	25.00
48-52	3/4 TON D-D	right (3700)	3698738	1	25.00
48-53	1 TON D-D	left (3900)	3696795	1	34.37
48-53	1 TON D-D	right (3900)	3696796	1	34.37
49-52	PASS. (exc. CONV.)	left (1500-2100)	3701117	1	35.37
49-52	PASS. (exc. CONV.)	right (1500-2100)	3701118	1	35.37
50-54	TY, UY, VY, X	left (6500)	3707005	1	68.50
50-53	TY, UY, VY, X	right (6500)	3703472	1	62.85
52-53	KS, VI, L, N (exc. hvy. duty)	right (3800-4100)	3699224	1	30.88
52	VZ	left (6800)	3701289	1	89.75
52	VZ	right (6800)	3701290	1	89.75
53	PASS. (exc. CONV.)	left (1500-2100-2400)	3703687	1	36.21
53-54	PASS. (exc. CONV.)	right (1500-2100-2400)	3703698	1	36.21
53	3/4 TON (exc. D-D)	left (3600)	3704323	1	19.34
53	3/4 TON (exc. D-D)	right (3600)	3704324	1	19.34
53	3/4 TON DUBL-DUTI	left (3700)	3704325	1	25.00
53	3/4 TON DUBL-DUTI	right (3700)	3704326	1	25.00
53	N (hvy. duty), V	left (6100)	3703469	1	37.60
53	N (hvy. duty), V	right (6100)	3703470	1	37.60
53	UTILITY (w/161" WB)	left (4400-4500-6400)	3703461	1	42.43
53	Y	left (6700)	3703473	1	80.55
53	Y	right (6700)	3703474	1	80.55
53	Z	left (6800)	3703475	1	89.75
53	Z	right (6800)	3703476	1	89.75
53	S	left (5100)	3703463	1	37.60
53	S	right (5100)	3703464	1	37.60
53	T	left (5400)	3703465	1	42.43
53	T	right (5400)	3703466	1	42.43
53	U	left (5700)	3703467	1	45.66
53	U	right (5700)	3703468	1	45.66
54	PASS. (exc. CONV.)	left (1500-2100-2400)	3710348	1	36.21
54	1/2 TON	left (3100)	3705431	1	19.25
54	1/2 TON	right (3100)	3705432	1	19.25

54	¼ TON (exc. D-D)	left (3600)	3705433	1	23.25
54	¼ TON (exc. D-D)	right (3600)	3705434	1	23.25
54	¼ TON DUBL-DUTI	left (3700)	3705637	1	25.00
54	¼ TON DUBL-DUTI	right (3700)	3705638	1	25.00
54	1 TON, N (exc. D-D, hvy. duty)	left (3800—4100)	3707157	1	35.75
54	1 TON, N (exc. D-D, hvy. duty)	right (3800—4100)	3707158	1	35.75
54	1 TON DUBL-DUTI	left (3900)	3707493	1	39.50
54	1 TON DUBL-DUTI	right (3900)	3707494	1	39.50
54	UTILITY (w/161" WB)	left (4400—4500—6400)	3707001	1	48.50
54	UTILITY (w/161" WB)	right (4400—4500—6400)	3707002	1	48.50
54	N (hvy. duty),				
54	V	left (6100)	3707003	1	44.50
54	N (hvy. duty),				
54	V	right (6100)	3707004	1	44.50
54	S	left (5100)	3707047	1	39.50
54	S	right (5100)	3707048	1	39.50
54	T	left (5400)	3707049	1	44.50
54	T	right (5400)	3707050	1	44.50
54	U	left (5700)	3707081	1	49.00
54	U	right (5700)	3707082	1	49.00
54	X	right (6500)	3707006	1	68.50
54	Y	left (6700)	3707007	1	88.50
54	Y	right (6700)	3707008	1	88.50
54	Z	left (6800)	3707009	1	97.50
54	Z	right (6800)	3707010	1	97.50

#### 7.007 MEMBER, Sub-Frame Side

47-54	COE	left	3694581	1	3.17
47-54	COE	right	3694582	1	2.88

#### 7.008 SUB-FRAME PARTS

47-51	COE	SUPPORT, front, L	3685715	1	5.06
47-54	COE	SUPPORT, front, R	3698028	1	4.98
47-54	COE	SUPPORT, rear, L	3690567	1	3.09
47-54	COE	SUPPORT, rear, R	3690568	1	3.09
52-54	COE	SUPPORT, front, L	3698027	1	4.98
47-54	COE	PLATE	3690569	1	1.09
49-53	COE	MEMBER, sub-frame rear cross	3690034	1	2.72
54	COE	MEMBER, sub-frame rear cross (36½ O.L.)	3705921	1	2.85

#### 7.009 EXTENSION, Frame

40-46	UTIL. (w/50" frame extension)	rear, left (3½ x 71½)	3655077	1	5.09
40-46	UTIL. (w/50" frame extension)	rear, right (3½ x 71½)	3655078	1	5.09
47-50	1 TON (exc. PLTFM.)	rear, left (4 x 21)	3684737	1	3.48
47-51	1 TON (exc. PLTFM.)	rear, right (2½ x 3½ x 21)	3696788	1	3.52
51	1 TON (exc. PLTFM.)	rear, left (2½ x 3½ x 21)	3696787	1	3.52
47-53	QI, RI, SI, TI, VI, N	front	3684861	2	2.89
54	N	front (2 holes ½ dia.)	3707000	2	2.75

#### 7.010 MEMBER, Frame Cross, Front

37-38	GA, HA		593764	1	5.32
37-39	GB, HB, JB		3650779	1	5.32
37-46	COMM. (exc. KF, AN, BN, DS)		594018	1	4.08
37-46	UTIL., KE, AN, BN, DS, (exc. COE)		594017	1	4.08
39	JA		599152	1	(6.008)
39-46	COE		3650372	1	4.08
40	KB		3652687	1	5.32
40-48	PASS. (exc. KB)		3661896	1	(6.008)
47-54	COMM., UTILITY		3692226	1	4.08
49-54	PASS.	front suspension member	3691559	1	(6.008)
49-54	PASS.	front cross (also used as rad. supt.)	3688035	1	1.91

#### 7.011 MEMBER, Frame Cross, Second

37-39	GA, GB, HA, HB, JA, JB		350135	1	4.03
37-40	COMM. (exc. KF)				
41-46	½ TON		594018	1	3.21

37-46	S, T, V, W, KF, YW, MW, OI, PS	604710	1	3.71
40	PASS. (exc. CONV.)	3653716	1	4.03
41-48	PASS. (exc. CONV.)	3657659	1	4.03
41-46	UTIL, AN, BN, DR, DS (exc. YW, MW, OI, PS)	605356	1	4.40
47	EP	3676253	1	3.71
47-54	UTIL. (exc. QI, RI, SI, TI, UI, VI, N),			
47-54	QI, RI, SI, TI, UI, VI, N (hvy. duty)	3690321	1	3.49
48-53	½ TON	3686948	1	3.71
47-54	¾, 1 TON, QI, RI, SI, TI, UI, VI, N	3690369	1	3.77
49-51	PASS. (exc. CONV., P.G.)	3690339	1	4.03
50-51	PASS. w/P.G. (exc. CONV.)	3690411	1	4.03
52-53	PASS. (exc. CONV.)	3703323	1	4.03
54	PASS. (exc. CONV.)	3700261	1	4.25
54	½ TON w/A.T.	2296067	1	5.50

**7.012 MEMBER, Frame Cross, Third**

34-38	UTIL. (w/131" WB),			
39-46	VA, VB, WA, YR, MR, OR, PI, OG, PX,			
39-52	COE (exc. long COE),			
40-54	1 TON,			
47-52	UTIL. (w/137", 199" WB),			
53-54	N	373592	1	3.22
37-40	SC, SD, TC, TD, VC, VD, VM, VN, WB, WC, WF	604710	1	(7.011)
37-46	½ TON	893947	1	4.03
37-52	¾ TON, GE, HE	596532	1	4.03
41-46	UTILITY (exc. YR, YU, YV, MR, MU, MV, OE, OH, OI, OR, PI, PP, PR, PV)	605356	1	(7.011)
47-54	½ TON	3690396	1	3.22
47-53	UTIL. (w/158", 161", 179", 199", 212" WB),			
53-54	UTIL. (w/110", 134", 137" WB) (exc. N)	3690321	1	(7.011)
53-54	¾ TON	3704327	1	4.03

**7.013 MEMBER, Frame Cross, Fourth and Fifth**

34-38	UTIL. (w/157" WB),			
39-40	VC, VD, WB,			
39-52	COE (long only),			
41-52	UTIL. (160", 161", 179" WB)	fourth,		
40-52	WC, YI, MI, OY, 2 TON SBC,	fifth	373592	1 (7.012)
46	OG, PX	fourth	605356	1 (7.011)
47-49	COMM. (exc. ½ TON),			
47-49	QI, RI, SI	fourth (or rear)	373586	1 (7.014)
47-54	2 TON SBC,			
53-54	UTIL. (w/158", 161", 179" WB)	fourth,		
53-54	2 TON SBC	fifth	3690321	1 (7.011)
50-54	TY, UY, VY, X	fifth	3683313	1 (7.014)

**7.014 MEMBER, Frame Cross, Rear**

34-46	UTILITY (exc. MY, OW, PL),			
37-54	¾, 1 TON, QI, RI, SI, TI, UI, VI, N		373586	1 3.21
37-40	COMM. (exc. ½ TON, KF) (PLATFORM)	(wheel carrier cross)	597424	1 (7.782)
37-49	½ TON		3656999	1 4.89
41	N	(wheel carrier track)	3659526	1 (7.782)
41-48	PASS.		3657400	1 4.03
47-54	UTIL. (exc. QI, RI, SI, TI, UI, VI, N),			
47-54	QI, RI, SI, TI, UI, VI, N (hvy. duty)	rear,		
47-54	2 TON SBC	6th, 7th and rear	3683313	1 3.22
49-54	PASS.		3697757	1 4.03
50-53	½ TON		3693418	1 4.89
54	½ TON		3705352	1 4.95



**7.018 HANGER, Step, Front, Center, Rear**

37-39	PASS.....	front.....	593692	2	.92
37-46	½ TON.....	front,			
37-46	COMM., UTIL. (exc. ½ TON).....	front, center, rear.....	593946	A.R.	.92
47-54	COMM., UTIL. (exc. D-D, SBC, COE).....	front, L.H.....	3683573	1	1.65
47-54	COMM., UTIL. (exc. D-D, SBC, COE).....	front, R.H.....	3683574	1	1.65
40-48	COE.....		3683328	2	.92
37-38	GD, GE, SA, SB, HD, HE, TA, TB.....	center,			
37-38	COMM., UTILITY.....	rear,			
39-46	½ TON.....	rear.....	593945	2	.92
37-39	PASS.....	rear.....	593693	2	.92
47-54	½ TON.....	rear.....	3684103	2	1.65
47-54	COMM. (exc. D-D).....	center,			
47-54	¾, 1 TON, UTILITY (exc. D-D, SBC, COE).....	rear.....	3683634	A.R.	1.65

**7.039 BRACE, Cross Member**

34-38	UTILITY (w/131" WB),				
39-46	UTILITY (w/133", 134½" WB),				
39-46	COE (exc. long COE),				
40-54	1 TON, QJ, RJ, SJ, TJ, UJ, VI, N,				
53-54	¾ TON.....	3rd cross member,			
34-38	UTILITY (w/157" WB),				
39-46	UTILITY (w/158½", 160" WB).....	4th cross member,			
40-46	SBC (exc. MY, OW, PL).....	5th cross member.....	373593	A.R.	.91
37-39	¾, 1 TON,				
40-52	¾ TON.....	3rd cross member.....	596534	2	.91
41-48	PASS. (exc. CONV.).....	L. (side to 2nd cross member).....	3657531	1	3.12
41-48	PASS. (exc. CONV.).....	R. (side to 2nd cross member).....	3657532	1	3.12
47-54	½ TON.....	3rd cross member, L.....	3676249	1	1.62
47-54	½ TON.....	3rd cross member, R.....	3676250	1	1.62
47-54	¾ TON.....	2nd cross member.....	3676238	2	.82
47-54	1 TON, QI, RI, SI, TI, UJ, VI, N,	2nd cross member.....	3684860	2	.82
47-54	UTIL. (exc. QI, RI, SI, TI, UJ, VI, N),				
47-54	QI, RI, SI, TI, UJ, VI, N (hvy. duty).....	2nd cross member,			
47-54	UTIL. (w/161", 179", 199", 212" WB),				
47-54	COE (w/158" WB).....	3rd cross member,			
47-54	2 TON SBC.....	4th cross member.....	3683315	A.R.	.91
47-52	COE (exc. long COE),				
47-52	QV, RV, SV, TV, UV, VV,				
47-52	QI, RI, SI, TI, UJ, VI (hvy. duty).....	3rd cross member,			
47-52	COE (long COE only),				
47-52	UTIL. (w/161", 179" WB).....	4th cross member,			
47-52	2 TON SBC.....	5th cross member.....	3683312	2	.69
49-51	PASS. (exc. CONV., P.G.).....	side to 2nd cross member, L.H.....	3690355	1	3.12
49-51	PASS. (exc. CONV., P.G.).....	side to 2nd cross member, R.H.....	3690522	1	3.12
50-51	PASS. w/P.G. (exc. CONV.),				
52-54	PASS. (exc. CONV.).....	side to 2nd cross member, L.H.....	3690405	1	3.12
50-51	PASS. w/P.G. (exc. CONV.),				
52-54	PASS. (exc. CONV.).....	side to 2nd cross member, R.H.....	3690406	1	3.12
53-54	N (hvy. duty),				
53-54	S, T, V.....	3rd cross member,			
53-54	P, R, U, W, X.....	4th cross member,			
53-54	2 TON SBC.....	5th cross member, L.....	3703411	1	1.65
53-54	N (hvy. duty),				
53-54	S, T, V.....	3rd cross member,			
53-54	P, R, U, W, X.....	4th cross member,			
53-54	2 TON SBC.....	5th cross member, R.....	3703412	1	1.65

**7.103 HANGER—HORN, Front Spring**

36	FC.....	L.....	475221	1	1.98
36	FC.....	R.....	475222	1	1.98
37-39	GB, HB, JB.....	L. (FZ-2806).....	593755	1	1.97
37-39	GB, HB, JB.....	R. (FZ-2805).....	593756	1	1.97
40	KB.....	L. (cast 3652943).....	3652943	1	1.18
40	KB.....	R. (cast 3652944).....	3652944	1	1.18
47-54	½, ¾ TON (exc. D-D).....	L. (cast 3683635).....	3683635	1	2.97
47-54	½, ¾ TON (exc. D-D).....	R. (cast 3683636).....	3683636	1	2.97

47-54	1 TON, UTILITY (exc. D-D, COE)	L. (cast 3683301)	3683301	1	2.97
47-54	1 TON, UTILITY (exc. D-D, COE)	R. (cast 3683302)	3683302	1	2.97
47-54	COE	L. (cast 3685029)	3685029	1	3.49
47-54	COE	R. (cast 3685030)	3685030	1	3.49
48-54	DUBL-DUTI	L. (cast 3687497)	3687497	1	3.49
48-54	DUBL-DUTI	R. (cast 3687498)	3687498	1	3.49
37-40	COMM. (exc. KF)	HORN, L. (cast 594587)	594587	1	2.69
37-40	COMM. (exc. KF)	HORN, R. (cast 594588)	594588	1	2.69
37-40	UTIL., KF (exc. COE)	HORN, L. (cast 594589)	594589	1	2.69
37-40	UTIL., KF (exc. COE)	HORN, R. (cast 594590)	594590	1	2.69
39-40	COE	HORN, L. (cast 3650957)	3650957	1	10.49
39-40	COE	HORN, R. (cast 3651858)	3651858	1	10.49
41-46	COMM. (exc. AN, BN, DS)	HORN, L. (cast 3657239)	3657239	1	4.05
41-46	COMM. (exc. AN, BN, DS)	HORN, R. (cast 3657240)	3657240	1	4.05
41-46	UTIL., AN, BN, DS (exc. COE)	HORN, L. (cast 3656435)	3656435	1	4.05
41-46	UTIL., AN, BN, DS (exc. COE)	HORN, R. (cast 3656436)	3656436	1	4.05
41-46	COE	HORN, L. (cast 3658409)	3658409	1	5.34
41-46	COE	HORN, R. (cast 3658410)	3658410	1	5.34

#### 7.104 BUSHING, Spring Hanger

34-40	ALL (exc. DA, DC, EA, FA, GA, HA, IA, KA, KH, COE)				
41-54	1/2, 3/4 TON (exc. D-D)	front spring front hanger,			
36-40	FC, GB, HB, JB, KB	front spring rear hanger,			
34-48	PASS., 1/2 TON (exc. DC, EC)	rear spring rear hanger (screw type—			
49-54	1/2 TON	1 3/4 long)	379647	2	.32

#### 7.112 HANGER, Rear Spring Front

37-54	1/2 TON	(cast 3657060)	3657060	2	1.89
38	PASS.		597123	2	1.20
39	PASS.		350407	2	1.20
40	PASS.		3683575	2	1.20
41-54	PASS.	(marked w/"X")	3697792	2	1.20

#### 7.113 BRACKET UNIT, Rear Spring

34-35	UTILITY		3847658	2	4.85
36-54	3/4, 1 TON, UTILITY		604912	2	4.40

NOTE: Bracket units include one each: bracket, pin, bolt, nut and washer.

#### 7.118 HANGER, Rear Spring Rear

36-38	FC, GA, GB, HA, HB	left	475108	1	1.08
36-38	FC, GA, GB, HA, HB	right	475108	1	1.08
37-54	1/2 TON	(forged 593926)	593926	2	.91
39	PASS.		350405	2	.77
40	PASS.	left	3652857	1	1.25
40	PASS.	right	3652858	1	1.25
41-48	PASS.	left	3657421	1	1.25
41-48	PASS.	right	3657422	1	1.25
49-54	PASS.	left	3697793	1	1.23
49-54	PASS.	right	3697794	1	1.23

#### 7.228 BRACE, Engine Rear Support

40-46	COMM. (exc. KF, AN, BN, DS)	left	3652727	1	.53
40-46	COMM. (exc. KF, AN, BN, DS)	right	3652728	1	.53
40-46	UTIL., KF, AN, BN, DS (exc. COE)	left	3653559	1	.55
40-46	UTIL., KF, AN, BN, DS (exc. COE)	right	3653560	1	.55
47-53	1/2, 3/4 TON	left	3676467	1	.71
47-53	1/2, 3/4 TON	right	3676468	1	.71
47-53	1 TON, QJ, RJ, SJ, TJ, UI, VI, N	left	3684857	1	.71
47-53	1 TON, QJ, RJ, SJ, TJ, UI, VI, N	right	3684858	1	.71
47-53	UTIL. (exc. QJ, RJ, SJ, TJ, UI, VI, N)				
47-53	QJ, RJ, SJ, TJ, UI, VI, N (hvy. duty)	left	3683307	1	.65
47-53	UTIL. (exc. QJ, RJ, SJ, TJ, UI, VI, N)				
47-53	QJ, RJ, SJ, TJ, UI, VI, N (hvy. duty)	right	3683308	1	.65

**7.229 SUPPORT, Engine Rear**

34-36	UTILITY.....		592368	1	3.60
37-46	COMM. (exc. KF, AN, BN, DS).....		594034	1	3.22
37-46	UTIL., KF, AN, BN DS (exc. COE).....		594224	1	3.60
39-46	COE.....		3650679	1	3.65
47-53	COMM., UTILITY.....		3683311	1	3.60
54	½, ¾ TON (exc. A.T.).....		3703340	1	5.75
54	1 TON, N (exc. A.T.).....		3703339	1	5.95
54	UTILITY (exc. N),				
54	N (hvy. duty).....		3703341	1	6.50

**MEMBER, Engine Rear Support**

54	½, ¾ TON w/A.T.....	L.H., end to center support member.....	3707655	1	1.85
54	½, ¾ TON w/A.T.....	R.H., end to center support member.....	3707656	1	1.85
54	1 TON w/A.T.....	L.H., end to center support member.....	3707657	1	1.85
54	1 TON w/A.T.....	R.H., end to center support member.....	3707658	1	1.85
54	COMM. w/A.T.....	center.....	3707659	1	4.50

**7.230 TIE BAR, Engine Support**

37-39	PASS.....	rear.....	593938	1	1.77
-------	-----------	-----------	--------	---	------

**7.238 ATTACHING PARTS, Front Stabilizer Link**

39-46	½ TON.....	BOLT (⅝—18 x 2 <sup>11</sup> / <sub>16</sub> long).....	3650868	2	.33
47-50	½ TON.....	BOLT (⅝—18 x 2 <sup>5</sup> / <sub>16</sub> long).....	3683392	2	.33
51-54	½ TON.....	PIN (⅜ O.D. x 1 <sup>5</sup> / <sub>16</sub> long).....	042274	2	(7.356)
39-54	PASS. (exc. JB, KB).....	NUT (⅝—24).....	3654642	2	.02

**7.240 LINK—SPACER, Front Stabilizer**

39-54	PASS. (exc. JB, KB).....	bolt type (⅝—24 x 6 <sup>5</sup> / <sub>16</sub> ).....	599432	2	.27
39-40	JB, KB,				
39-46	½ TON.....		350144	4	.47
47-50	½ TON.....		3683030	4	.47
51-54	½ TON.....		5513565	2	.55
39-54	PASS. (exc. JB, KB).....	SPACER (1 <sup>1</sup> / <sub>2</sub> O.D. x 2 <sup>11</sup> / <sub>16</sub> long).....	599431	2	.13

**7.241 SHAFT, Front Stabilizer**

39-48	PASS. (exc. JB, KB).....		599394	1	2.15
39-40	JB, KB.....		599739	1	1.89
39-46	½ TON.....		3650867	1	1.89
47-50	½ TON.....		3683028	1	2.85
48-54	DUBL-DUTI.....		3690607	1	3.18
49-54	PASS.....		3688966	1	2.15
51-54	¾ TON.....		3695869	1	2.91

**7.242 BRACKET—REINFORCEMENT—CAP—"U" BOLT, Front Stabilizer Shaft**

40-54	PASS. (exc. KB),				
51-54	½ TON.....	(1 <sup>1</sup> / <sub>8</sub> inside of bend).....	3653101	2	.32
48-54	DUBL-DUTI.....	(1 <sup>1</sup> / <sub>2</sub> inside of bend).....	3689224	2	.32
51-54	½ TON.....		3695872	2	.70
40-48	PASS. (exc. KB).....	REINFORCEMENT.....	3653102	2	.13
49-54	½ TON, D-D (exc. FP, GP, HP).....	REINFORCEMENT (bend 1 <sup>1</sup> / <sub>2</sub> deep x 1 wide)...	3695871	2	.48
39-46	½ TON.....	CAP, bracket (1 <sup>1</sup> / <sub>2</sub> inside radius).....	3650843	2	.32
47-50	½ TON.....	CAP, bracket (¾ inside radius).....	3683052	2	.32
51-54	½ TON.....	"U" BOLT (2 <sup>3</sup> / <sub>8</sub> depth).....	3695873	2	.32

**7.243 BUSHING, Front Stabilizer Shaft**

39-54	PASS. (exc. JB, KB).....		599430	2	.28
48-54	DUBL-DUTI.....	front.....	3690609	2	.40
48-54	DUBL-DUTI.....	rear.....	3690611	2	.22
51-54	½ TON.....		3695870	2	.28

**7.244 BUSHING, Front Stabilizer Link**

39-54	PASS. (exc. JB, KB),			
51-54	1/2 TON.....	rubber (1 3/8 I.D. x 1 O.D.).....	5325788	A.R. .09
39-40	JB, KB,			
39-46	1/2 TON.....	rubber (2 1/8 I.D. x 1 1/2 max. O.D.).....	350146	6 .14
47-50	1/2 TON.....	rubber (3/4 I.D. x 1 1/8 max. O.D.).....	3683032	A.R. .18
51-54	1/2 TON.....	inner, bronze (2 3/8 I.D. x 2 1/4 O.D.).....	041134	2 (7.377)
51-54	1/2 TON.....	outer, rubber (2 3/8 I.D. x 2 1/8 O.D.).....	041133	2 (7.388)

**7.245 BRACKET--RETAINER--PLATE, Front Stabilizer Link**

39-46	1/2 TON.....		3650844	2 .60
47-50	1/2 TON.....		3683394	2 1.43
39-54	PASS. (exc. JB, KB),			
51-54	1/2 TON.....	RETAINER, bushing (2 3/8 I.D. x 1 1/4 O.D.).....	043468	A.R. .05
48-52	DUBL-DUTI.....	RETAINER, rear bushing.....	3689286	2 (7.421)
39-40	JB, KB.....	PLATE, bushing and spring bumper.....	599740	2 .18

**7.253 KIT, Front Stabilizer Repair**

39-54	PASS. (exc. JB, KB).....	(includes bolt, bushings, retainers and nut)	604846	2 .90
-------	--------------------------	--	--------	-------

**7.303 HANGER, Front Spring Rear**

34-36	DB, EB, FB.....	(cast FZ-1967).....	373599	2 1.86
34-36	P, Q, R.....	(cast FZ-1991).....	377269	2 1.86
36-39	FC, GB, HB, JB.....	left (cast FZ-29-12-1).....	475111	1 1.89
36-39	FC, GB, HB, JB.....	right (cast FZ-29-11-1).....	475112	1 1.89
37-40	UTIL, KF (exc. COE).....	(cast 593952).....	593952	2 1.92
37-39	COMM.,			
40-54	1/2, 3/4 TON (exc. D-D).....	(cast 593837).....	593837	2 1.89
39-46	COE.....	(cast 3650959).....	3650959	2 1.89
40	KB.....	left (cast 3652829).....	3652829	1 1.89
40	KB.....	right (cast 3652830).....	3652830	1 1.89
41-46	1 TON, UTILITY (exc. COE),			
47-54	1 TON, QI, RI, SJ, TI, UI, VI, N (exc. D-D)	(cast 3656471).....	3656471	2 1.89
47-54	UTIL. (exc. QI, RI, SJ, TI, UI, VI, N, COE),			
47-54	QI, RI, SJ, TI, UI, VI, N (hvy. duty).....	(cast 3683309).....	3683309	2 1.89
47-54	COE.....	(cast 3685038).....	3685038	2 1.89
48-54	DUBL-DUTI.....	(cast 3687505).....	3687505	2 1.89
39-40	COE,			
41-54	1 TON, D-D, UTIL.....	BUSHING.....	499533	A.R. (7.504)

**7.330 BRACKET, Body**

37-46	1/2 TON (SGL. UNIT),			
41-42	3/4 TON (PLTFM.).....	No. 5,		
47-54	1/2 TON (SGL. UNIT).....	No. 3.....	594035	2 .25
40-48	PASS.....	No. 2.....	3652811	2 .25
41-48	PASS.....	No. 3 intermediate,		
49-52	CONV., B-A,			
53-54	CONV., SPT. CPE.....	No. 5.....	3665437	2 .38
41-48	PASS.....	No. 3 outer, L.....	3657943	1 .48
41-48	PASS.....	No. 3 outer, R.....	3657944	1 .48
41-54	PASS.....	No. 4 outer,		
42-48	CONV.....	No. 4 inter. outer.....	3665438	2 .65
41-48	PASS. (exc. CONV.)			
49-54	PASS.....	No. 4 inner,		
41-48	PASS.....	No. 5 inner and outer,		
49-52	PASS. (exc. CONV., B-A).....	No. 5 inner and outer, L.H.,		
49-52	PASS. (exc. CONV.).....	No. 5 inner and outer, R.H.,		
49-54	PASS. (exc. CONV., SPT. CPE.).....	No. 3,		
49-52	CONV.....	No. 6 outer, L.H.,		
49-54	CONV.....	No. 3 outer,		
49-52	CONV., BEL AIR.....	No. 6 outer, R.H.,		
50-52	BEL AIR.....	No. 6 inner and outer, L.H.,		
50-52	BEL AIR.....	No. 6 inner, R.H.,		
53-54	PASS. (exc. CONV., SPT. CPE.).....	No. 3,		
53-54	PASS. (exc. CONV., SPT. CPE.).....	No. 4 and 5 inner,		
53	PASS. (exc. CONV., SPT. CPE.).....	No. 5 inner, L.H. and R.H.,		
53-54	CONV.....	No. 4 inner,		
53-54	SPT. CPE.....	No. 3,		
53-54	SPT. CPE.....	No. 4 inner,		
53-54	SPT. CPE.....	No. 6 inner, L. H. and R.H.....	3665440	A.R. .32



47	COMM., UTIL. (exc. COE)	No. 1 body L.H.	3683679	1	1.46
47-53	COMM., UTIL. (exc. COE)	No. 1 body R.H.	3683680	1	1.46
47	FFC	L.H.	3685529	1	1.34
47-54	FFC	R.H.	3685530	1	1.34
47-54	COMM. (SGL. UNIT),				
47-54	FFC (with W/S)	No. 2	3683356	2	1.01
48-54	COMM., UTIL. (exc. COE)	No. 1 body L.H.	3687309	1	1.46
48-54	DUBL-DUTI	No. 1 body R.H.	3687500	1	1.62
49-54	PASS.	No. 1 body outer,			
49-54	PASS.	No. 1 body inner R.H.	3687904	A.R.	.27
49-52	PASS. (exc. CONV.)	No. 2 body L.H.	3688045	1	2.15
49-52	PASS. (exc. CONV.)	No. 2 body R.H.	3689016	1	2.99
49-52	CONV.	No. 2 body	3692433	2	2.54
53-54	PASS. (exc. CONV.)	No. 2 body L.H.	3697759	1	2.15
53-54	PASS. (exc. CONV.)	No. 2 body R.H.	3698166	1	2.15
53-54	CONV.	No. 2 body	3697767	2	1.46
53-54	PASS. (exc. CONV., SPT. CPE.)	No. 5 outer,			
53-54	CONV.	No. 6,			
53-54	SPT. CPE.	No. 6 outer L.H.	3697801	1	1.10
53-54	PASS. (exc. CONV., SPT. CPE.)	No. 5 outer,			
53-54	CONV.	No. 6,			
53-54	SPT. CPE.	No. 6 outer R.H.	3697802	1	1.10
54	1/2, 3/4 TON	No. 1, cowl body, cab body frt. mtg.	3705990	1	1.75
54	1 TON, UTILITY	No. 1, cowl body, cab body frt. mtg.	3705992	1	1.75
37-46	COMM., UTILITY (exc. COE)	SUPPORT, body	3652968*	2	.38

\*NOTE: Drill two—<sup>3</sup>/<sub>4</sub> in. holes when using 3652968 on 1937-39 models.

### 7.345 ABSORBER ASSEMBLY, Shock

NOTE: Nos. following description are model and valve No. which are stamped on cover or valve nut

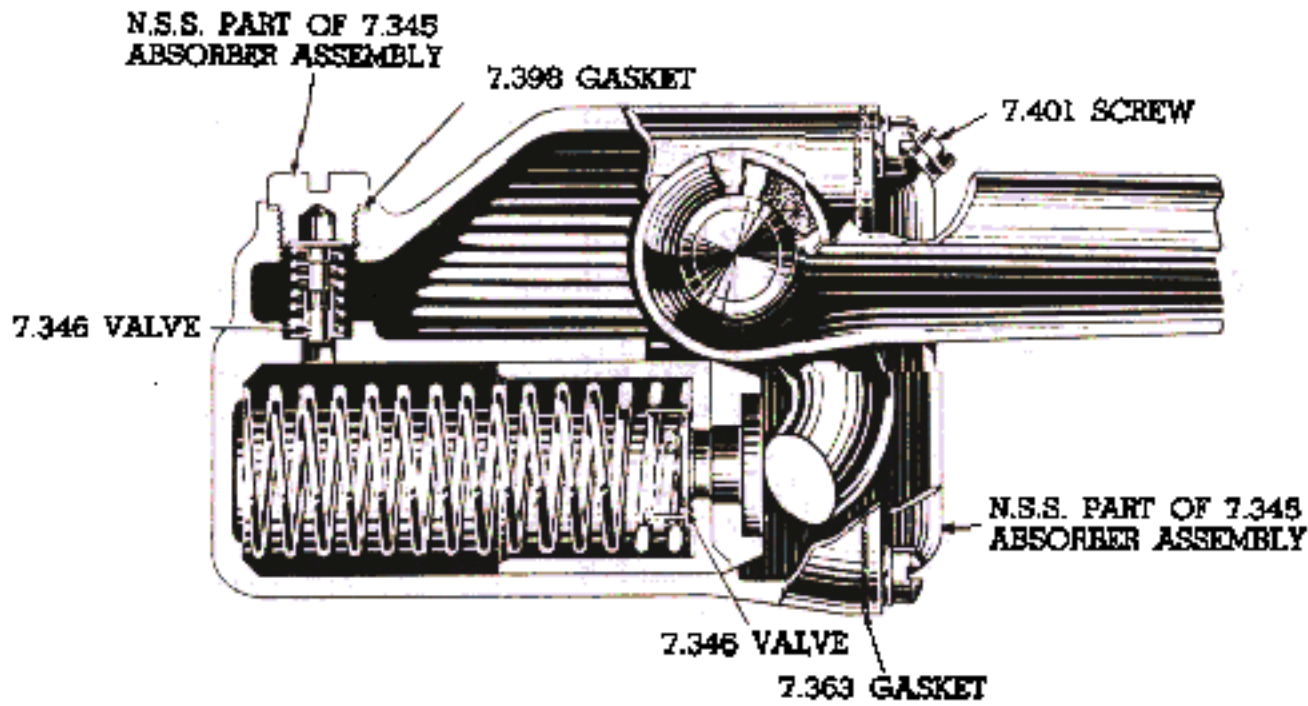
#### Single Action

34-46	COMM.	front, left (1430CA) (4CG),			
47-49	COMM.,				
50	DUBL-DUTI	front, right	1054144	1	10.19
34-46	COMM.	front, right (1430DA) (4CG),			
47-49	COMM.,				
50	DUBL-DUTI	front, left	1054146	1	10.19
34-49	1/2 TON	rear, right (1430LA) (3F)	1054420	1	10.19
34-49	1/2 TON	rear, left (1430MP) (3F)	5352527	1	10.19
37-39	GA, GB, HA, HB, IB	rear, right (1431V) (2BE)	5307086	1	10.19
37-39	GA, GB, HA, HB, IB	rear, left (1431W) (2BE)	5307087	1	10.19
37-50	3/4 TON	rear, right (1431X) (3CG)	5307420*	1	10.19
37-50	3/4 TON	rear, left (1431Y) (3CG)	5307421*	1	10.19

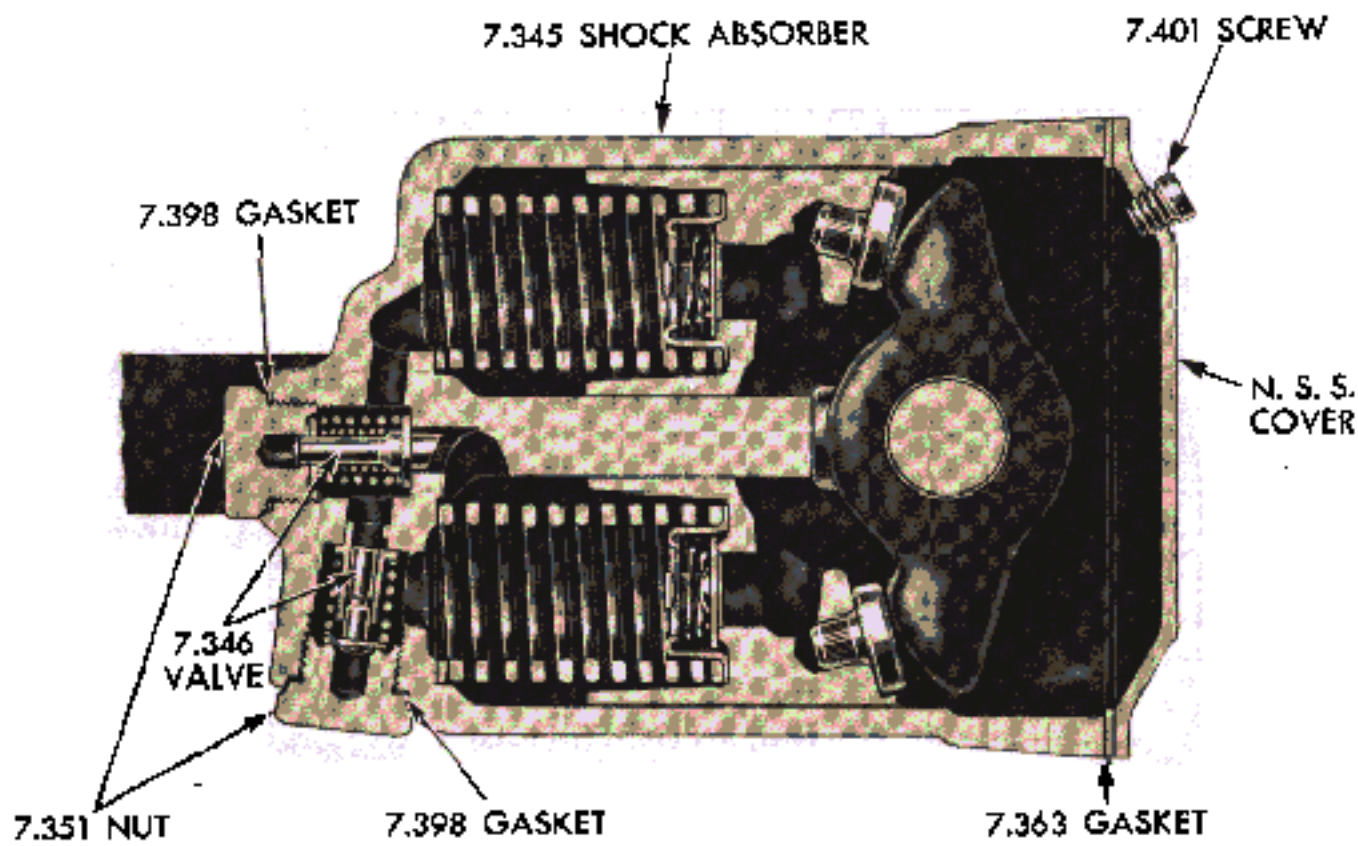
\*NOTE: Not used with heavy duty equipment.

#### Double Action

34-49	COMM., UTIL. (exc. COE),	front, right (1730-A) (G-2)	1072707	1	14.52
50-53	UTIL. (exc. COE)				
34-49	COMM., UTIL. (exc. COE),	front, left (1730-B) (G-2)	1072708	1	14.52
50-53	UTIL. (exc. COE)				
39-53	COE	front, right (1730C) (2RG2)	5335934	1	14.52
39-53	COE	front, left (1730D) (2RG2)	5335935	1	14.52
39-40	JB, KB	front (1050N) (4E6-A1)	5513851	2	5.10
39-48	PASS. (exc. JB, KB)	front, left (2200A) (1.5DAd-5)	5352102	1	(6.162)
39-48	PASS. (exc. JB, KB)	front, right (2200B) (1.5DAd-5)	5352103	1	(6.162)
49-52	PASS.	front, cyl. type (538F) (4C8/OJ/P 1.25)	5394251	2	5.40
50-54	COMM.	front, cyl. type (808M) (4E6/T1)	5516237	2	5.75
53-54	PASS.	front (538F) (5C6/OIG/12)	5519443	2	5.75
54	UTILITY (exc. COE)	front, cyl. type (682P) (03110/C2)	5329764	2	9.05



**SINGLE ACTING SHOCK ABSORBER**



**DOUBLE ACTING SHOCK ABSORBER**

54	COE.....	front, cyl. type (682K) (03110/C2) .....	5329768	2	9.06	498
34-47	1/2 TON.....	rear, right,				
48-49	1/2 TON.....	rear, left (1731T) (2RG2).....	1054424	1	14.52	871
34-47	1/2 TON.....	rear, left,				
48-49	1/2 TON.....	rear, right (1731U) (2HG2).....	1054425	1	14.52	871
34-42	UTILITY,					
48-53	1 1/2 TON, SBC,					
49-53	COE.....	rear, right (1 3/4 piston) (2000V) (2LG2) ..	5307020	1	27.69	1661
34-42	UTILITY,					
46-53	1 1/2 TON, SBC,					
49-53	COE.....	rear, left (1 3/4 piston) (2000W) (2LG2) ...	5307021	1	27.69	1661

39-48	PASS. (exc. JB, KB)	rear, right (2100A) (.70J D-5)	5352104	1	11.55
39-48	PASS. (exc. JB, KB)	rear, left (2100B) (.70J D-5)	5352105	1	11.55
41-49	AL, AM, BL, BM, DR, ER, FR, FT, GR, GT	rear, right (1½ piston) (1722C) (1RGO)	1053138	1	14.52
41-49	AL, AM, BL, BM, DR, ER, FR, FT, GR, GT	rear, left (1½ piston) (1722D) (1RGO)	1053139	1	14.52
41-42	1 TON, UTILITY (exc. SBC),				
46-47	1, 1½ TON,				
48-49	1 TON,				
50-54	1 TON DUBL-DUTI	rear, right (1½ piston) (1722E) (1RGO)	1053142	1	14.52
41-42	1 TON, UTILITY (exc. SBC),				
46-47	1, 1½ TON,				
48-49	1 TON,				
50-54	1 TON DUBL-DUTI	rear, left (1½ piston) (1722F) (1RGO)	1053143	1	14.52
49-52	PASS.	rear, cyl. type (S61V) (4.5F8/OG/J1.25)	5394252	2	5.40
53-54	PASS.	rear (S61 V) (4.5C6/OXG/J2)	5519444	2	5.75
50-53	½ TON	rear, cyl. type (843Z) (3J88/C2)	5516239	2	5.75
50-53	¾ TON	rear, cyl. type (1066T) (6R8J1)	5394979	2	5.40
50-53	1 TON (exc. D-D)	rear, cyl. type (967U) (8J10/A1)	5513639	2	9.05
54	½ TON	rear, cyl. type (843V) (3J88/C2)	5303379	2	5.40
54	¾ TON	rear, cyl. type (843T) (3J88/DE)	5516238	2	5.75
54	1 TON, UTILITY (exc. D-D, V, W, X)	rear, airplane type (660V) (O4N10/A1)	5520232	2	9.05
ALL	ALL	FLUID (1 quart)	603489	A.R.	(6.386)
ALL	ALL	FLUID (1 gallon)	600658	A.R.	(6.386)

### 7.346 VALVE, Shock Absorber

39-48	PASS. (exc. JB, KB)	front, relief, rebound (3-F) (used only on jobs where excessive bottoming of suspension unit exists)	1069146	2	.45
39-48	PASS. (exc. JB, KB)	front, relief, compression (O-F) (used only on jobs where excessive bottoming of suspension unit exists)	5334612	2	.45
41-48	PASS.	rear relief (.70-J), rebound	5334624	2	.45
39-40	JA, KA, KH	front and rear, relief (D-5), compression,			
41-48	PASS.	rear, relief (D5), compression	5315911	2	.50
41-48	PASS.	front, relief (AD-5), compression	1069124	2	.45
41-48	PASS.	front, relief (1.5-D)	5334623	2	.45
40-42	UTILITY,				
46-53	1½ TON, SBC,	rear, relief, compression (1½ piston) (G-2)	048081	2	.60
49-53	COE.				
42-50	COMM., UTILITY (exc. HP, HR, HS),	front relief, rebound,			
51-53	UTILITY	rear relief, rebound (H2)	5334803	2	.45
42-50	½, ¾ TON (exc. HP, HR)				

### 7.355 LINK-NUT, Shock Absorber

30-33	ALL (exc. CC),	<b>Single Action</b>			
37-39	COMM.	w/pins, front,			
33-36	CC, DC, DB, EC, EB, FB (front on DB PANEL)	w/pins, rear	043031	2	.95
30-36	PASS., COMM. (exc. CC, DC, EC, FC)	rear,			
37-50	COMM. (exc. 1 TON, HP, HR)	rear,			
47-49	COMM.	front, w/pins	043032	2	.95
33-36	CC, DC, EC, FC	with pins, front	1063231	2	.95
35-36	ED, FD,				
41-46	AN, BN, DS	with pins, front	1075619	2	.70
36-37	FC, GA, GB	rear,			
36-38	FC, GB, HB	front,			
40-46	COMM. (exc. AN, BN, DS)	front, w/pins	5302451	2	.65
38-40	HA, HB, JB, KB	w/pins	1072240	2	.70
46-50	¾ TON (exc. HR)	rear	048456	2	.75
47-49	½ TON	rear, w/pins	5326999	2	.55
48-50	DUBL-DUTI	front	1063170	2	.60
		<b>Double Action</b>			
33-40	COMM.,	front	045377	2	.70
41-49	COMM. (exc. 1 TON, D-D)	rear,			
33-49	CB, DA, DB, ES, FS, GS				
34-46	AN, BN, DS, UTILITY (exc. COE),				
47-50	D-D, 1 TON, UTILITY (exc. HS, COE),	front (11⅛ O.L.)	045373	2	.70
51-53	UTILITY (exc. COE)				

37-39	UTILITY,				
40-42	UTILITY (exc. WC, YT, MT, MY),				
46-48	OR, OS, PI, PK, QI, QK, RJ, RK.....	rear, L. and R. (w/1 3/4 piston).....	5342776*	2	2.35
*NOTE: Use on Heavy Duty Equipment.					
37-49	1/2 TON.....	rear,			
39-53	COE.....	front.....	5307862	2	.70
39-41	JA, KA, KH, AG, AH.....	rear, w/pin.....	5328600	2	.75
39-47	3/4, 1, 1 1/2 TON (exc. SBC),				
48-49	1 TON, FR, GR,				
50-54	1 TON DUBL-DUTI.....	rear (use w/1 1/2 piston).....	046379	2	.70
42-48	PASS.....	rear.....	5316364	2	1.20
33-36	UTILITY,				
40-48	SBC, RK,				
49-53	1 1/2 TON, COE, SEC.....	rear (use w/1 3/4 piston).....	5334387	2	2.35
48-50	FT, GT, HT.....	rear.....	047806	2	.70
39-41	PASS. (exc. JB, KB).....	NUT, rear shock link rod (5/8-24).....	3654642	2	(7.238)
42-49	PASS., 3/4 TON (exc. BL, BM),				
50-54	PASS., COMM. (exc. HU, JU, KU).....	NUT, rear shock link rod,			
49	PASS.,				
50-54	PASS., COMM.....	front, shock attach.,			
50-54	3/4 TON DUBL-DUTI.....	rear shock attach. (upper end) (3/8-24) ..	043469	A.R.	.05

### 7.356 PIN-BOLT, Shock Absorber Link

31-40	AE, EA, CA, CC, DC, EC, FC, GB, HB, COMM.,				
41-50	1/2, 3/4 TON (exc. HP, HR).....	front and rear,			
41-50	1 TON (exc. HS).....	front,			
34-40	PASS. (exc. JA, KA, KH).....	rear.....	042274	A.R.	.10
33-50	COMM., UTIL. (exc. HP, HR, HS),				
51-53	UTIL.....	front,			
33-49	DA, DC, COMM., QI, QK,				
39-46	1 1/2 TON, COE,				
50-54	1 TON D-D.....	rear (1 1/2 piston).....	042852	A.R.	.15
30-38	PASS. (exc. DA, EA, FA, GA, HA),				
30-50	COMM. (exc. HP, HR, HS).....	BOLT, w/bushing, front,			
30-40	PASS. (exc. JA, KA, KH),				
36-50	COMM. (exc. 1 TON, HP, HR).....	rear.....	042170	2	.57

### 7.357 BUSHING, Shock Absorber Arm Link (Double Acting)

33-50	COMM., UTIL (exc. CB, HP, HR, HS),				
51-53	UTIL.....	front,			
33-47	COMM., UTIL. (exc. CB, SBC, 2 TON),				
48-50	COMM. (exc. HP, HR, HS),				
51-54	1 TON D-D.....	rear (1 1/2 piston).....	041151	A.R.	.15

### 7.358 SLEEVE, Shock Absorber Arm Link (Double Acting)

33-50	COMM., UTIL (exc. CB, HP, HR, HS),				
51-53	UTIL.....	front,			
33-47	COMM., UTIL. (exc. CB, SBC, 2 TON),				
48-50	COMM. (exc. HP, HR, HS),				
51-54	1 TON D-D.....	rear (1 1/2 piston).....	041152	A.R.	.15

### 7.363 GASKET, Shock Absorber Cover

39-48	PASS. (exc. JB, KB).....	front.....	5328670	2	.05
39-48	PASS. (exc. JB, KB).....	rear.....	5328664	2	.05

### 7.370 PLATE, Rear Shock Absorber Anchor

37-40	GD, HD, JD, KD.....	left.....	596929	1	1.25
37-40	GD, HD, JD, KD.....	right.....	596930	1	1.25
37-49	1/2 TON.....		3676332	2	.53
40	KA, KH.....		3653133	2	.32
40	KB.....		3653134	2	.32
41-42	AL, AM, AN, BL, BM, BN.....		3656644	2	.35
41	PASS.....		3658011	2	.32
42-48	PASS.....		3664177	2	.32



49-54	PASS.	left	3688655	1	.80
49-54	PASS.	right	3688656	1	.80
50-54	½ TON		3688615	2	.80

**7.371 WASHER, Shock Absorber**

33-46	COMM., UTILITY,				
47-49	ER, 1, 1½ TON, D-D, SBC,	front and rear,			
50-53	D-D, 1½ TON, COE, SBC (exc. JT, KT, K)				
47-49	½, ¾, 2 TON (exc. ER, D-D, SBC),	front,			
50-53	2 TON (exc. COE, SBC)	rear (37/64 I.D. x 3/16 thick) (reinforcing)....	824775	A.R.	.10
54	1 TON D-D				
34-53	COMM., UTILITY (exc. COE),	axle bracket (spacer) (13/16 I.D.).....	3681493	4	.05
54	COMM.	front pivot bushing,			
39-40	IB, KB	rear lower bushing (21/32 I.D. x 1 1/4 O.D.)	328936	A.R.	(4.404)
49-54	PASS., ½ TON (exc. GP)				

**7.372 BUSHING, Shock Absorber Arm**

<b>Single Acting</b>					
30-38	AD, AE, B, C, DC, ED, FB, FC, FD, GB, HB,	front,			
37-49	COMM.				
30-40	AD, AE, B, C, D, E, F, G, H, JB, KB (exc. DB, EB),	rear	041134	A.R.	.05
39-49	½, ¾ TON				

**Double Acting**

33-42	COMM., UTIL.,	front and rear,			
46-49	COMM., OR, OS, PI, PK, QI, QK,				
50	DUBL-DUTI	front,			
46-47	SBC, 2 TON,	rear (5/8 O.D. x 1 1/8 I.D. x 3/16 lang).....	041153	A.R.	.10
46-53	UTILITY	front, pivot,			
51-54	1 TON DUBL-DUTI	rear, pivot,			
39-40	IB, KB	rear, lower (rubber—5/8 I.D.).....	517098	A.R.	.10
49	PASS.				
50-54	PASS., COMM. (exc. 1 TON D-D)				

**7.380 BRACKET, Shock Absorber Axle**

33-40	COMM., UTIL. (exc. COE),				
41-46	COMM. (exc. AN, BN, DS)	front (dbl. acting) (cast 1063708).....	3681494	2	.85
34-36	COMM. (DELUXE PANEL),	front (sgl. acting) (cast 1066222).....	1066222	2	.95
37-39	COMM. (CAB, PANEL)	rear (dbl. acting) (cast 5313075).....	5313075	2	.95
37-49	½ TON				
37-42	UTILITY,				
45-48	1½ TON	rear (double acting) (1 1/4 piston).....	5316192	2	2.00
39-40	ID, IE, KD, KE, KF	rear (double acting) (cast 5304283).....	5304283	2	1.10
39-42	UTILITY (exc. WC, YI, MI, MY),				
46-47	OR, OS, PI, PK, QI, QK	rear (double acting) (1 1/2 piston).....	5316191	2	1.25
39-53	COE	front (dbl. acting) (cast 5335933).....	5335933	2	1.00
41-50	1 TON, D-D, UTIL. (exc. HS, COE),				
51-53	UTILITY (exc. COE)	front (dbl. act.) (cast 3681459).....	3681459	2	.65
47-49	ES, FS, GS	front (sgl. act.) (cast 3683640).....	3683640	2	.65
47-49	½, ¾ TON (exc. D-D)	front (sgl. acting) (cast 3683442).....	3683442	2	.60
47-49	½, ¾ TON (exc. D-D)	front (dbl. acting) (cast 3683441).....	3683441	2	.80
46-47	2 TON SBC,				
48	1½ TON, SBC,				
49-53	1½ TON, COE, SBC	rear (double acting).....	3682720	2	1.93
49-54	PASS.	front, lower (double acting).....	3688548	2	.48
50-54	½, ¾ TON (exc. D-D)	front, left (dbl. acting).....	3693687	1	.60
50-54	½, ¾ TON (exc. D-D)	front, right (dbl. acting).....	3693688	1	.60
50-54	1 TON, DUBL-DUTI	front (double acting) left.....	3693787	1	.70
50-54	1 TON, DUBL-DUTI	front (double acting) right.....	3693788	1	.70
54	UTILITY (exc. COE)	front (dbl. act.) (cast 3705689) left.....	3705689	1	1.25
54	UTILITY (exc. COE)	front (dbl. act.) (cast 3705690) right.....	3705690	1	1.25
54	COE	front (dbl. act.) (cast 3705693) left.....	3705693	1	1.25
54	COE	front (dbl. act.) (cast 3705694) right.....	3705694	1	1.25
54	1½ TON, COE, SBC	rear (dbl. act.) (cast 3705697).....	3705697	2	3.25
49-54	PASS.	BOLT, front brkt. attaching (3/8—24 x 5/8).....	3686526	2	.05

**7.388 BUSHING, Shock Absorber Link**

**Single Acting**

30-38	PASS. (exc. DA, EA, FA, GA, HA),			
30-50	COMM. (exc. HP, HR, HS)	front,		
30-40	PASS. (exc. JA, KA, KH),			
36-49	COMM. (exc. 1 TON)	rear	041133	2 .10
46-50	3/4 TON (exc. HR)	rear (use w/048456 link)	043467	4 .10

**Double Acting**

33-46	COMM., UTILITY,			
47-50	COMM. (exc. HP, HR, HS)	front and rear,		
47-53	UTILITY	front,		
51-54	1 TON D-D	rear	043816	A.R. .13
49-54	PASS.	rear	5325788	4 (7.244)
49-54	PASS., 1 TON D-D	front,		
50-54	COMM. (exc. 1 TON D-D)	front and rear (3/8 I.D. x 1 O.D.)	3708378	A.R. .10
39-48	PASS. (exc. JB, KB)	NUT, rear link rod	3654642	4 (7.238)

**7.389 RETAINER, Shock Absorber Bushing (Double Acting)**

33-46	COMM., UTILITY,			
47-50	COMM. (exc. HP, HR, HS)	front and rear,		
47-53	UTILITY	front,		
51-54	1 TON D-D	rear	043814	4 .05
48-50	FR, FT, GR, HP, HR, HT,			
53-54	PASS., COMM. (exc. 1 TON D-D),			
49-52	PASS., 3/4 TON D-D, 1 TON (exc. GT, GS)	rear,		
49-54	PASS., COMM. (exc. GP, GR, GT, GS, GU)	front (3/4 I.D. x 1 1/4 O.D.)	043468	A.R. (7.245)
39-41	JA, KA, KH, AG, AH	rear (1 1/4 O.D. x 3/4 I.D.)	350258	4 .05
46-50	3/4 TON (exc. HR)	rear	3681760	4 .05

**7.398 BRACKET—SUPPORT—BOLT—NUT, Shock Absorber Frame**

34-47	1/2 TON	rear (cast 47413)	1066230	2 1.75
40	KB	left, front (cast 3653235)	3653235	1 2.32
40	KB	right, front (cast 3653236)	3653236	1 2.32
50-54	1/2, 3/4 TON	front and rear,		
50-54	1 TON	front	3700440	2 .80
50-53	1 TON (exc. D-D)	rear	3693689	2 .92
54	UTILITY (exc. COE)	front (steel) (4 holes 1/8 dia.)	3707518	2 .95
54	1, 1 1/2 TON, COE, SBC (exc. D-D)	left, rear (cast 3705695)	3705695	1 3.25
54	1, 1 1/2 TON, COE, SBC (exc. D-D)	right, rear (cast 3705696)	3705696	1 3.25
50-53	3/4, 1 TON (exc. D-D)	SUPPORT, bracket, left, rear	3693789	1 .77
50-53	3/4, 1 TON (exc. D-D)	SUPPORT, bracket, right, rear	3693790	1 .77
36	FC	BOLT, front and rear,		
37-48	PASS.	rear (hex. hd. 1/2-13 x 3 1/4)	3835744	A.R. (0.293)
39	JB	BOLT (for upper and lower brackets)	350285	4 .17
40	KB	BOLT (shock absorber to "I" beam)	3653237	2 .17
49-54	PASS.	NUT, rear attaching,		
49-54	1/2 TON	front attaching (1/2-20)	3691530	A.R. .06

**7.401 SCREW, Shock Absorber Filler Plug**

33-38	CC, DC, EC, FC, GB, HB	front and rear,		
39-48	PASS.	rear,		
48-49	1/2 TON	rear	044288	2 .10
37-39	3/4, 1 TON,			
50	DUBL-DUTI	front and rear,		
39-48	PASS. (exc. JB, KB),			
42-49	COMM., UTIL.,			
50-53	UTIL.	front,		
40-42	KD, KE, KF, AL, AM, AN, UTIL.,			
46-49	COMM., PJ, PK, QJ, QK,			
51-54	1 TON D-D	rear	5335897	2 .10

**7.412 SPRING ASSEMBLY, Front**

NOTE: See group 6.351 and 6.361 for knee action coil springs.

30-32	S. SED., T. SED., COA. (w/1/wells),			
33	SED., COA.,			
33	CB (PANEL)	8 leaves	365172	2 9.58

33-35	CC, DC, EC	7 leaves	375181	2	8.60
34-36	COMM., UTILITY	9 leaves	377308	2	11.62
36-38	FC, GB, HB (exc. SDL.)	8 leaves	593688	2	11.53
37-40	COMM.	8 leaves	594075	2	12.31
37-40	UTIL. (exc. WC, COE)	9 leaves	599504	2	14.18
39	JB	8 leaves	350225	2	9.53
39-46	1/2 TON	7 leaves	599316	2	10.35
39-41	COE	8 leaves	3651022	2	15.91
39-46	COE	5 leaves (front auxiliary)	605419	2	10.24
40	KB	8 leaves	3653541	2	9.33
40	WC	10 leaves	2062477	2	12.18
41-46	AL, AM, BL, BM, DR	8 leaves (two stage)	3656610	2	11.91
41-50	1 TON, UTIL. (exc. COE, TR, TS)				
51-54	UTIL. (hvy. duty) (exc. UR, US, VR, VS, T, U)	9 leaves	3703307	2	16.35
47-54	1/2, 3/4 TON (exc. D-D)	8 leaves	3702793	2	12.75
50-54	TR, TS, UR, US, VR, VS, T, U	11 leaves	3695108	2	23.58
41-46	COE				
48-54	D-D				
51-54	1, 1 1/2 TON (exc. SBC, hvy. duty)	8 leaves	3697686	2	15.07

### \*SPRING ASSEMBLY, Front (Not Serviced)

\*NOTE: The following Front Spring Assemblies are not serviced and are shown only for leaf model usage.

29	AC	7 leaves	352452		
29-31	ALL				
32-33	NA, NB, CB, OA, OB, RDL	8 leaves	358363		
30-33	AD, AE, BA, CA (PASS., SDL.) (exc. S, SED., T, SED., COA, w/F/wells)	7 leaves	366967		
34-35	DC, EC	(for 19 in. wheel equip.)	377331		
34-36	DE, EB, FB	8 leaves	376000	(use 377308)	
34-36	UTILITY	9 leaves (low camber)	377307	(use 377308)	
34-37	UTILITY	11 leaves (hvy. duty)	379916		
35-36	ED, FD	7 leaves	374967		
35-36	ED, FD	7 leaves	592475		
36	FC (exc. SDL.)	8 leaves	476065	(use 593688)	
36	SDL.				
36	FC (w/19 in. wheels)	8 leaves	476432		
37-38	SDL. (also PASS. with 18 in. wheels)	8 leaves	594551		
37-39	COMM.	8 leaves	596502		
37-40	COMM. (exc. 1/2 TON)	8 leaves	599459		
40	WA	7 leaves (w/light spring equipment)	599583		
41-42	YR, YS, MR, MS	5 leaves (front auxiliary)	605929		
41-50	1, 1 1/2 TON (exc. COE, SBC)	7 leaves (reg. prod.)	3656425	(use 3657834)	
41-46	COE				
48-50	DUBL-DUTI	8 leaves	3665355	(use 3667686)	
41-50	1 TON, UTILITY (exc. COE, TR, TS)				
51-53	UTIL. (hvy. duty) (exc. UR, US, VR, VS, S, T, U)	9 leaves	3657834	(use 3703307)	
47	1/2 TON	7 leaves	3683405		
47-50	ER, FR, GR	8 leaves (two stage)	3683425	(use 3693911)	
47-52	1/2, 3/4 TON (exc. D-D)	8 leaves	3693911	(use 3702793)	
50	HP, HR	8 leaves	3686687	(use 3693911)	
50	TR, TS	11 leaves	3691884	(use 3695108)	
51-52	1, 1 1/2 TON (exc. D-D, SBC)	7 leaves	3694885	(use 3697686)	

### 7.413 BUSHING, Front Spring Eye

29-33	ALL				
34-35	DC, EC	1st leaf	344277	2	.40
34-40	ED, FD, COMM., UTIL. (exc. COE)				
41-54	1/2, 3/4 TON (exc. D-D)		600183	2	(7.504)
34-40	ALL (w/leaf spring) (exc. COE)				
41-54	1/2, 3/4 TON (exc. D-D)	front eye,			
36-40	FC, GB, HB, JB, KB	rear eye	379647	2	(7.104)
39-40	COE				
41-54	1 TON, D-D, UTIL.		3651131	2	.40

**7.415 LEAF, Front Spring**

Part No.	List Price	Part No.	List Price	Part No.	List Price	Part No.	List Price	Part No.	List Price
342925	2.96	599321	2.53	599510	1.33	3656426	4.42	3683428	1.85
350226	2.15	599323	1.89	3651025	1.98	3656428	2.91	3683431	1.64
350227	1.64	599466	3.15	3651122	3.67	3656429	2.68	3693912	2.47
375487	2.64	599505	3.36	3653084	1.95	3658592	3.36	3693914	1.85
377328	3.02	599507	1.89			3663589	2.44	3693915	1.65

**FRONT SPRING LEAF CHART**

Spring Assy.	Leaf No. 1	Leaf No. 2	Leaf No. 3	Leaf No. 4	Spring Assy.	Leaf No. 1	Leaf No. 2	Leaf No. 3	Leaf No. 4
350225	350226	350227			2062477				599510
*352452	342925				3651022	3651122	3651025	3663589	
*358363	342925				3653541	3653084			
365172	342925				*3656425	3656426	3656428	3656429	
*366967	342925				3656610	599321	599323		
367143	342926				*3657834	3656426	3656428	3658592	
375181	375487				*3665385	3656426	3658428	3663589	
*376000					*3683405	3693912	3693914	3693918	
*377307	(Same as 377308)				*3683425	3693912	3683428	3693915	3683431
377308	377326			599510	*3686687	3693912	3693914	3693915	
*377331	375487				*3691884	3656426	3656428		
593688	350226	350227			*3693911	3693912	3693914	3693915	
594075	599466	599507			*3694885	3696426	3656428	3656429	
*596602	599466	599507			3695108	3656426	3656428		
599316	599321	599323			3697686	3656426	3656428	3663585	
*599459	599466	599507			3702793	3693912	3693914	3693915	
599504	599505	599507		599510	3703307	3656426	3656428	3658592	

\*For identification only. Assembly not serviced.

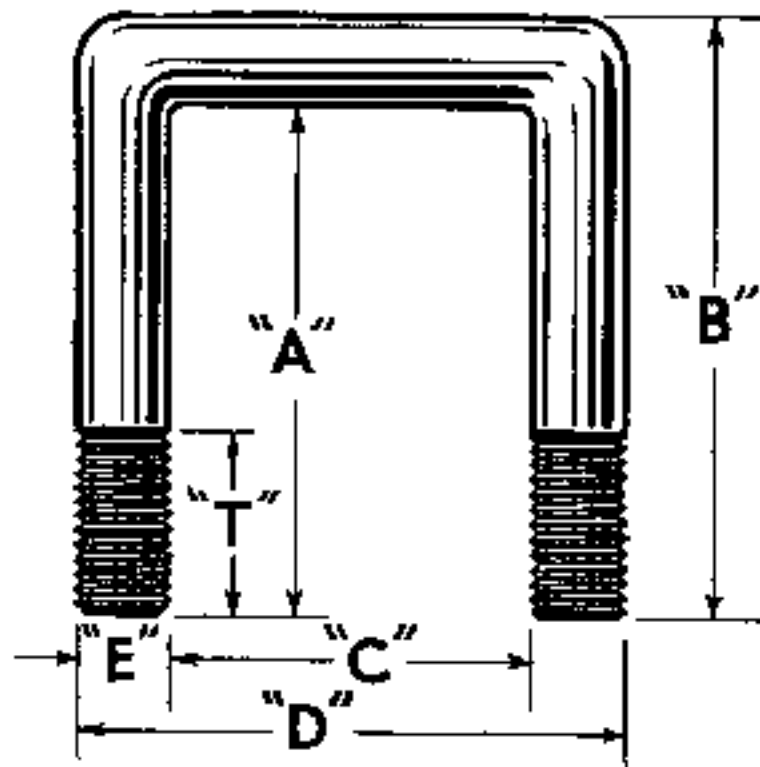
**7.417 "U" BOLT, Front Spring**

Years		"A"	"B"	"C"	"D"	"E"	"T"	Part No.	
29-36	AC, AD, AE, BA, CA, CB, CC, DB, DC, EB, EC, FB	4	4 1/2	1 1/2	2 1/2	1/2	2 1/4	601230	.53
29-33	UTILITY, AD								
34-40	ED, FD, GB, HB, JB, KB, COMM.								
40-49	COMM., WA, (exc. AN, BN, DR, DS)								
50-54	1/2 TON	4 3/8	4 11/16	1 7/8	2 25/32	1/2	2 5/8	601231	.53
34-37	P, Q, R, S (hvy. duty)	5	5 1/2	1 25/32	2 25/32	1/2	1 1/4	372954	.48
39-52	COE (exc. TR, TS, UR, US, VR, VS)	4 15/16	5 5/16	2 1/16	3 1/16	5/8	1 1/8	3651705	.53
39-46	COE (w/aux. spring)	6	6 5/8	2 1/16	3 1/16	5/8	1 1/8	605428	.60
41-46	AN, YR, YS, YT, BN, MH, MS, OR, OS, PJ, PK (w/dbl. act. shocks)	4 1/4	4 3/4	2 1/2	3 1/2	1/2	1 3/4	3656478	.53
41-46	Y, M, O, PL, PV, PW, FX (exc. COE) (w/dbl. act. shocks, hvy. duty)	4 1/4	5 1/4	2 1/2	3 1/2	1/2	1 3/8	3658404	.53
41-42	YR, YS, MR, MS	5 1/4	5 3/4	2 1/2	3 1/2	1/2	1 1/4	605930	.53
42-54	D-D, UTIL. (exc. OR, OS, PJ, PK, QI, QK, COE)	5	5 5/16	2 1/2	3 1/2	5/8	2	3681640	.53
46-54	1, 1 1/2 TON, D-D (exc. SBC)	4 1/4	4 11/16	2 1/2	3 1/2	5/8	2	3681456	.53
31-40	UTILITY (exc. COE)								
46-54	3/4 TON (exc. D-D)	5	5 5/16	1 3/4	2 3/4	5/8	2 1/4	3691620	.53
50-52	TR, TS, UR, US, VR, VS	5 1/2	6 1/8	2 1/16	3 1/16	5/8	1 1/2	3691876	.60
53-54	S	4 1/4	5 3/8	2 1/16	3 1/16	5/8	1 1/2	3703882	.53
53-54	T, U	5 3/8	6	2 1/16	3 5/8	5/8	1 1/2	3703881	.60
48-54	COE	NUT (5/8-18)						373912	(5.813)

**7.421 RETAINER-BRACKET-PLATE, Front Spring Bumper**

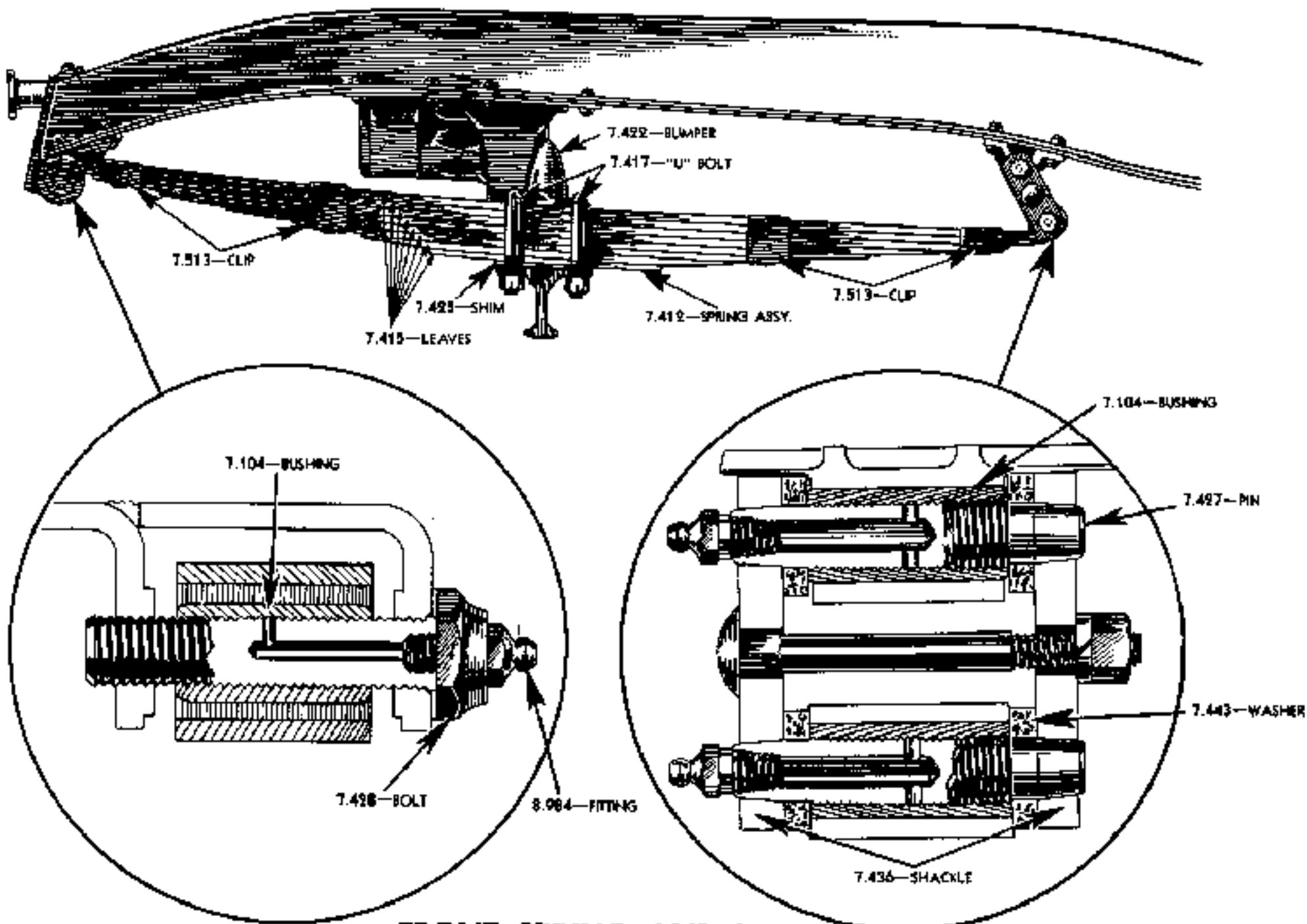
32-36	UTILITY	(w/30 x 5 or 6.00 x 20-6 ply tires)	368401	2	.44
34-40	DB, EB, FB, S, T, V, W (exc. COE)	(w/6.00-6.50-7.50 x 17-6 ply tires)	593993	2	.44
37-39	COMM.		593994	2	.38
39-42	COE	(not used w/O.S. tires)	3651175	2	.38
40-50	1/2 TON (CAB, CAN. EXP.)				
51-54	1/2 TON	(w/dbl. act. shk/abs.)	3655328	2	.38
40-52	3/4 TON, KF, AK, BK (exc. D-D)	(w/dbl. act. shk/abs.)	3657418	2	.38





### SPRING "U" BOLT

46	COE.....		3682337	2	1.11
41-52	AN, BN, DS, UTIL. (exc. COE).....		3682338	2	.67
47-50	½ TON (PAN., SUB., FFC).....	(w/sgl. act. shk/abs.) (cast 3683054).....	3683054	2	.95
47-52	1 TON (exc. D-D).....	(w/sgl. act. shk/abs.).....	3683639	2	.44
47-52	COE.....		3685300	2	.95
48-52	DUBL-DUTI.....		3689286	2	2.20
40-46	½ TON (CAB, CAN. EXP.).....	BRACKET, L.H. bpr. ret. and shk/abs.....	3653087	1	.65
40-46	½ TON (CAB, CAN. EXP.).....	BRACKET, R.H. bpr. ret. and shk/abs.....	3653088	1	.65
40-48	¼ TON (PAN., SUB.).....	BRACKET, L.H. bpr. ret. and shk/abs.....	3653085	1	1.09
40-46	¼ TON (PAN., SUB.).....	BRACKET, R.H. bpr. ret. and shk/abs.....	3653086	1	1.09
40-42	COMM. (exc. ½ TON).....	BRACKET, L.H. bpr. ret. and sgl. act. shk/abs.....	3657001	1	.65
40-42	COMM. (exc. ½ TON).....	BRACKET, R.H. bpr. ret. and sgl. act. shk/abs.....	3657002	1	.65
53-54	DUBL-DUTI.....	BRACKET (7¼ O.L.).....	3702704	2	1.15
53-54	COE.....	BRACKET (8¼ O.L.).....	3703885	2	1.05
39-40	JB, KB.....	PLATE, fri. stabilizer shaft bhg. and spg. bpr.....	599740	2	(7.244)
<b>7.422 BUMPER, Front Spring</b>					
32-42	UTILITY, AN, BN.....		368400	2	.53
37-40	GB, HB, JB, KB.....		350251	2	.77
36	FC.....		374552	2	.58
37-39	COMM.....	(1 1/8 x 1 3/4 base).....	593995	2	.53
40	KB.....	auxiliary.....	3653543	2	.13
40-52	COMM. (exc. D-D),				
53-54	½ TON.....	(1 1/8 x 1 3/8 x 1 29/32).....	3653084	2	.53
46-51	DS, D-D, UTIL.,				
52	D-D, 2 TON.....	(1 1/2 x 1 13/16 x 2 13/32).....	3682339	2	.53
52	1 1/2 TON,				
53-54	¾, 1 TON, UTILITY (exc. COE).....	(1 3/4 x 2 1/4 x 5).....	3700034	2	(7.535)
53-54	COE.....	(1 3/4 x 2 1/4 x 5).....	3703884	2	.85
<b>7.425 SHIM-SPACER, Front Spring</b>					
36-39	FC, GB, HB, JB.....		350370	2	.27
36-40	KB, COMM., UTIL. (exc. FB, COE),				
41-54	½, ¾ TON (exc. D-D).....		474682	2	.27
39-54	PASS. (exc. JB, KB).....	(for use w/coil springs).....	3694719	A.R.	(6.964)
41-54	D-D, 1, 1 1/2, 2 TON (exc. 1 TON D-D, COE)		3656476	2	.27
39	IC.....	SPACER, "U" bolt (w/spring 599316).....	3650900	2	.35
53-54	¾ TON (exc. D-D).....	SPACER, "U" bolt (w/3/8 hole).....	3702707	2	.30
53-54	DUBL-DUTI.....	SPACER, "U" bolt (forged 3702708).....	3702708	2	1.50
53-54	COE.....	SPACER, "U" bolt (1 1/8 x 4 3/8).....	3703883	2	.35



### FRONT SPRING AND PARTS

#### 7.427 PIN, Front Spring Shackle

30-35	ALL (exc. DA, DB, P, EA, EB, Q)	(2 <sup>1</sup> / <sub>8</sub> long)	358326	8	.40
34-40	ALL (exc. DA, EA, FA, GA, HA, IA, KA, KH, COE)				
41-48	PASS., 1/2, 3/4 TON (exc. D-D)				
49-54	1/2, 3/4 TON (exc. D-D)	tapered (3 <sup>1</sup> / <sub>8</sub> long)	373199	4	.44
34-40	ALL (exc. DA, EA, FA, GA, HA, IA, KA, KH, COE)				
41-48	PASS., 1/2, 3/4 TON (exc. D-D)				
49-54	1/2, 3/4 TON (exc. D-D)	(.005 oversize)	601894	A.R.	.44
39-40	COE				
41-54	D-D, 1 TON, UTIL.		3653273	4	.44

#### 7.428 BOLT, Front Spring Eye

29-33	ALL (exc. CC)	front end,			
29	ALL	front spring shackle (1/8-18 x 3 1/8)	344336	2	(7.529)
33-35	CC, DC, EC	front spring front end eye (3/8-18 x 2 1/8)	473308	2	.55
34-36	DB, P, EB, ED, Q, FB, FD, R	front spring hanger end (1 1/8-16 x 3 1/2)	373200	2	.55
30-35	AD, AE, BA, CA, CB, CC, DC, EC	rear clamp,			
30-35	ALL (exc. DA, DB, P, EA, EB, Q)	front clamp (1/2 dia.)	359465	2	.13
36-40	FC, GB, HB, JB, KB	front spring end eye (1/8-11 x 3 1/8)	477258	2	.55
37-40	COMM., UTIL. (exc. COE)				
41-54	1/2, 3/4 TON (exc. D-D)	rear eye (1 1/8-16 x 3 1/8)	593990	2	.55
39-54	COE				
41-54	DUBL-DUTI	front spring front hanger,			
41-54	1 TON, UTILITY (exc. COE)	front spring rear hanger	3657393	2	.55

**7.432 NUT, Front Spring Eye Bolt**

34-38	DB, F, EB, ED, Q, FB, FD, R.		373202	2	(7.530)
37-54	COMM., UTILITY (exc. D-D, COE)	rear hanger,			
39-54	DUBL-DUTI, COE	front hanger	593992	2	.08

**7.435 SHACKLE, Front Spring**

34-36	COMM., UTILITY,				
41-46	COMM., UTILITY,				
47-54	COE	front and rear,			
48-54	DUBL-DUTI	rear (3 $\frac{5}{8}$ O.L.)	495034	4	.40
47-54	COMM., UTIL. (exc. D-D, COE)	front (4 $\frac{1}{8}$ O.L.)	3682788	4	.40
30-35	ALL (exc. DA, DB, P, EA, EB, ED, Q)	SHACKLE UNIT	602995	2	1.76
34-36	ALL (exc. DA, DC, EA, EC, FA),				
37-40	ALL (exc. GA, HA, JA, KA, KH, COE),				
41-46	COMM. (exc. AN, BN, DS)	SHACKLE UNIT	603712	2	2.06
41-46	AN, BN, DS, UTIL,				
39-54	COE	SHACKLE UNIT	609071	2	2.06
47-54	$\frac{1}{2}$ , $\frac{3}{4}$ TON (exc. D-D)	SHACKLE UNIT	3847459	2	2.06
47-54	1 TON, UTIL. (exc. D-D, COE)	SHACKLE UNIT	3847468	2	2.06

**7.443 WASHER, Spring Shackle**

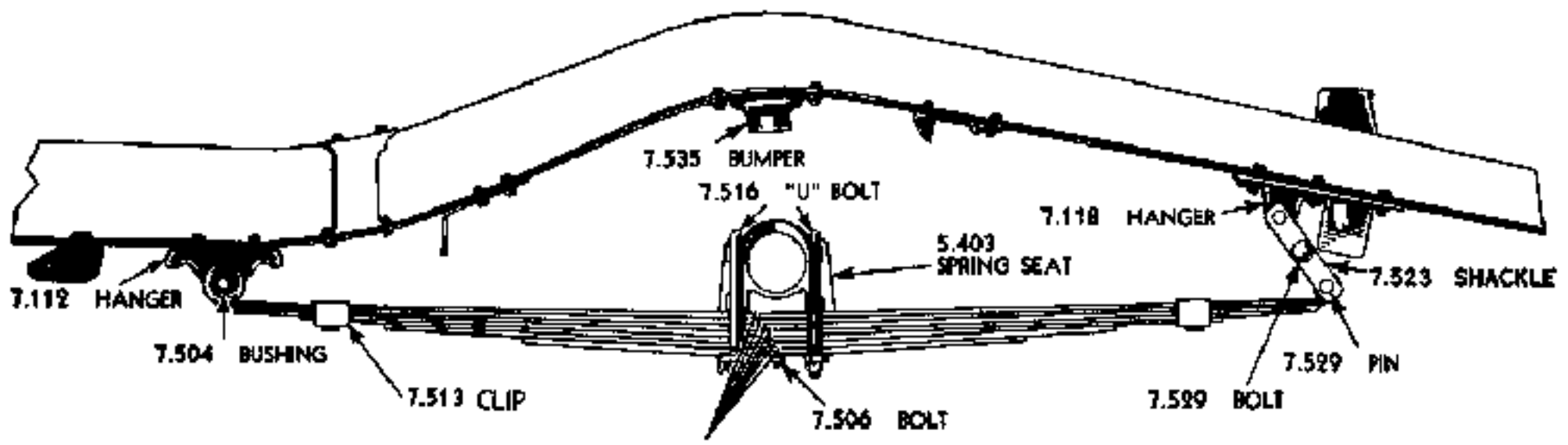
34-48	PASS. (exc. DC, EC),				
34-54	COMM., UTIL.	rear, pin (cork)	593705	A.R.	.08

**7.495 INSERT, Spring Leaf**

54	PASS.	rear (aluminum stearate w/nylon) (1 $\frac{1}{2}$ x 2)	3699910	12	.15
----	-------	--	---------	----	-----

**7.503 SPRING ASSEMBLY, Rear**

30	AD (SED., S. SED., SDL),				
31	AE (exc. $\frac{3}{4}$ TON),				
32-33	BA, CC,				
33	CA (PHAE., S. ROA., S. CPE., CONV.),				
34	DC (PHAE., S. ROA., CPE., COA., SED.),				
35	EC (PHAE., S. ROA., SED., COA.)	6 leaves (white paint on spring eye)	475017	2	11.62
33-39	UTILITY,				
40	WA	10 leaves	599556	2	24.89
33-40	UTILITY	11 leaves (2 stage spring)	350152*	2	29.76
34-36	DA, EA, ED, FA, FD	8 leaves (with cover)	376122	2	14.91
34-38	UTIL. (exc. hvy. duty),				
39-40	VA, WA (PANEL on VA)	8 leaves	599595	2	19.69
34-40	UTIL. (exc. COE)	6 leaves (auxiliary spring)	599899†	2	12.04
36-37	FC (CPE., CONV.); GA, GB (CPES.)	7 leaves (with cover)	594438	2	13.87
36-37	FC, GA, GB (SED., COA., SDL.) (also CPE., CONV. w/19 in. wheels)	8 leaves (with cover)	594447	2	14.80
37-40	$\frac{3}{4}$ , 1 TON	9 leaves	599542	2	19.04
38-39	CPE., S. CPE., CONV.	7 leaves (with cover)	597143	2	13.44
38	PASS. (exc. S. CPE., SDL),				
38	HB (CPE., CONV. w/18 in. wheels),				
39	JA, JB (SED., COA., T. SED., S. SED.), JB (CPE. PICK-UP)	8 leaves (with cover)	599983	2	13.87
40-47	2, 4-DR. SED., CPE. PICK-UP,				
48	4-DR. SED., AEROSSEDAN,				
40-48	T. SED., CPES., CONV. (w/18 in. wheels —also hvy. duty w/16 in. wheels),				
49-53	SDL.,				
49-53	PASS. (hvy. duty) (exc. STA. WAG., SDL.)	8 leaves (with cover)	605383	2	14.45
40-48	CPE., CONV. (exc. CPE. PICK-UP),				
48	TOWN SEDAN,				
49-52	PASS. (exc. BUS. CPE., SDL., STA. WAG.)	7 leaves (with cover)	605374	2	13.45
40	SDL., STA. WAG.,				
41-48	SDL. (also hvy. duty w/16 in. wheels on SEDANS, CPE. PICK-UPS)	8 leaves (w/cover)	605384	2	15.99
41-48	STA. WAG. (Reg. Prod.),				
49-53	SDL., STA. WAG. (hvy. duty)	8 leaves (w/cover) (blue paint on spg. eye)	605532	2	13.87
36-46	$\frac{1}{2}$ TON	8 leaves	3659368	2	15.96



## REAR SPRING AND PARTS

41-54	3/4 TON (exc. D-D)	7 leaves (2 stage spring)	3656559	2	14.62
41-52	3/4, 1 TON (exc. 3/4 TON D-D)	8 leaves (2 stage spring)	3693624	2	18.85
53-54	1 TON	10 leaves	3658252	2	27.45
41-47	UTIL. (exc. YT, MT, MY, OG, OW, OY, PX, QX)	8 leaves (2 stage spring)	3656905	2	20.02
41-42	YR, MR	11 leaves (2 stage spring)	3690849	2	30.16
41-54	SBC	6 leaves (auxiliary spring)	604934†	2	12.95
41-54	UTIL. (exc. SBC)	13 leaves	3681359	2	24.07
46	DS (CAB, CAB w/PLATFORM)	11 leaves	3689128	2	23.53
46-49	1 TON (FTC, CAB, CAB w/PLATFORM) (hvy. duty)	8 leaves	3683317	2	16.90
47-54	1/2 TON	11 leaves	3690893	2	31.85
47-54	UTILITY (exc. SBC)	8 leaves	3687477	2	17.58
48-54	DUEL-DUTI	9 leaves	3687786	2	18.85
48-53	1/2 TON (hvy. duty)	7 leaves (yellow point on spring eye)	3707591	2	12.65
49-53	BUS. CPE	8 leaves (white point on spring eye)	3697926	2	12.65
49-54	STA. WAG.	3 leaves (auxiliary spring)	3696130	2	7.29
49-54	1 TON	7 leaves (w/cover)	3704154	2	13.45
53	PASS. (exc. BUS. CPE., SDL., STA. WAG.)	8 leaves (2 stage spring)	3702624	2	18.85
53-54	3/4 TON	7 leaves	3697663	2	13.45
54	PASS. (exc. STA. WAG., SDL.)	8 leaves (green point on spring eye)	3697919	2	14.45
54	SDL.	8 leaves (blue point on spring eye)	3698085	2	13.85
54	PASS. (hvy. duty) (exc. SDL., STA. WAG.)	10 leaves	3705452	2	19.65
54	SDL., STA. WAG. (hvy. duty)				
54	1/2 TON (hvy. duty)				

\*NOTE: Use 4-601910 "U" bolts when installing on 1934-36 jobs. Use 4-596626 "U" bolts when installing on 1937-39 jobs.

†NOTE: On 599899 spring rate can be increased from 1530 lb. per in. to 1800 lb. per in. by addition of No. 2 leaf (3657428); this may require 2-602267 "U" bolts.

‡NOTE: On 604934 spring rate can be increased from 1530 lb. per in. to 1800 lb. per in. by addition of No. 2 leaf (3657428). This may require 602267 "U" bolt.

### \*SPRING ASSEMBLY, Rear (Not Serviced)

\*NOTE: The following rear spring assemblies are not serviced and are shown only for leaf model usage.

29-33	AC, AD, AE, BE, CE (RDL, 1/2 TON)	8 leaves	344477		
31-32	M, N	10 leaves	367144		
33-38	UTILITY	10 leaves	369723	(use 599556)	
33-38	UTILITY	13 leaves	364429		
34	DA (SDL)	9 leaves (w/cover) (green point on one end)	377041		
34	PA, PC	8 leaves	375263		
34-35	DC, EC (SED., COA.) (DC late type), (EC early type) (w/19 in. wheels)	8 leaves	378474	(use 475017)	
34	DA (S. ROA., CPE, S. CPE., CONV.)	7 leaves (w/cover)	475259	(use 375122)	
35-36	EA, ED, FA, FD (S. CPE., CPE.)	8 leaves (w/cover)	376123	(use 376122)	
34-36	DA, EA, ED, FA, FD	8 leaves	374835		
34-36	DE, EB, FB (FB early type)	8 leaves	377376	(use 599695)	
34-38	UTILITY (exc. hvy. duty spg.)	8 leaves			



34	DA (S. ROA., CPE., S. CPE., CONV.),		
35	EA, ED (S. CPE., CPE.—early type)	8 leaves	376121 (use 376122)
36	FC (SED., COA.) (also CPE., CONV. w/19 in. wheels)	8 leaves	475551 (use 594447)
36	FC (SDL.) (also jobs w/19 in. wheels)	8 leaves	476420 (use 594447)
36	UTILITY	6 leaves (auxiliary)	602006
36-40	½ TON (FB late type)	8 leaves	599517
37	GB (SDL.)	8 leaves	594548 (use 594447)
37-38	GD, HD	8 leaves	596841 (use 599542)
37-40	GD, HD, JD, KD	8 leaves	599529 (use 599542)
37-39	UTILITY	6 leaves (2 springs) (aux. spring)	602655
38	PASS. (exc. S. CPE., SDL.),		
38	HB (CPE., CONV. w/18 in. wheels)	8 leaves	597142 (use 599983)
38	SDL.	8 leaves	597559
39	SDL, STA. WAG.	8 leaves	603519
39	CPE., CPE. 4.	7 leaves (with cover)	599886 (use 597143)
39-40	VA, WA (PANEL)	8 leaves (2 stage spring)	3653251
40	SDL, STA. WAG.	8 leaves (w/cover)	604449 (use 605384)
40	W	6 leaves (2 springs) (aux. spring)	604515
41-48	SBC	11 leaves (2 stage spring)	3656733 (use 3690849)
46-48	DS, ES, FS (CAB, CAB w/PLATFORM)	11 leaves (hvy. duty)	3689276 (use 3689128)
46-48	DS, ES, FS (CAB, CAB w/PLATFORM)	12 leaves	3682298 (use 3689128)
47-48	UTIL. (exc. SBC)	11 leaves	3686487 (use 3690893)
49-53	BUS. CPE.	7 leaves	3692293 (use 3697914)
49-53	BUS. CPE.	7 leaves	3697914 (use 3707591)
49-53	STA. WAG.	8 leaves	3692294 (use 3697926)

**7.504 BUSHING, Rear Spring Eye**

29-35	AC, AD, AE, B, C, DC, EC		344277	2	(7.413)
33-54	UTILITY		369721	4	.38
34-54	½ TON	front eye	600163	2	.44
34-54	PASS. (exc. DC, EC)	inlox. front eye	3690790	2	.54
34-48	PASS. ½ TON (exc. DC, EC)				
49-54	½ TON	rear eye	379647	2	(7.104)
37-54	¾, 1 TON	front and rear eye	596854	4	.38
	Not required in this group. See Group 7.303		499533		.38

**7.505 LEAF, Rear Spring**

Part No.	List Price	Part No.	List Price	Part No.	List Price	Part No.	List Price	Part No.	List Price
350157	5.69	599560	3.75	3681362	4.87	3688112	3.09	3691370	4.55
350192	2.09	599562	3.29	3681365	2.93	3689184	3.62	3691372	3.29
374398	3.79	599941	3.29	3682316	3.36	3689185	2.71	3697664	1.85
476269	4.15	3652772	3.29	3683318	3.85	3689186	3.18	3697665	1.85
599422	5.20	3656906	6.69	3683320	2.75	3690850	6.42	3697920	1.85
599516	4.18	3657428	3.25	3683321	2.75	3690852	4.76	3697927	1.95
599529	2.71	3657431	1.64	3687478	4.02	3690885	3.79	3702625	4.38
599523	1.89	3658253	6.63	3687480	2.93	3690886	4.00	3702627	2.95
599530	4.45	3658255	4.65	3687787	2.71	3691367	6.29	3702628	1.93
599557	6.33	3658256	4.33	3687791	2.04	3691369	4.55	3702629	2.75
599558	3.87							3705669	1.85

**REAR SPRING LEAF CHART**

Rear Spring Assy.	Leaf No. 1	Leaf No. 2	Leaf No. 3	Leaf No. 4	Rear Spring Assy.	Leaf No. 1	Leaf No. 2	Leaf No. 3	Leaf No. 4
*344477		599520		599523	*376123	374398			
350152	350157				*377041	374398			
*364429	599422				*377376	599422			
*367144		599559	599560	599562	*475259	374398			
*369723	599557	599559	599560	599562	*475551	476266			
*374635	599518	599520		599523	*476420	476265			
*375263	599557	599559	599560	599562	594438	476265			
*376121	374398				594447	476265			
376122	374398				*597142	599941	350192		

\*For identification only. Assembly not serviced.

(Continued on next page)

Rear Spring Assy.	Leaf No. 1	Leaf No. 2	Leaf No. 3	Leaf No. 4
597143	599941	350192	.....	.....
*597559	599941	350192	.....	.....
*599517	599518	599520	.....	599523
*599529	599530	.....	.....	.....
599542	599530	.....	.....	.....
599556	599557	599559	599560	599562
599695	599422	.....	.....	.....
†599899	599962	3657428	.....	3657431
599983	599941	.....	.....	.....
*599986	599941	.....	.....	.....
*602006	599562	.....	.....	3657431
*602655	(Use 599899 spring assembly)			
*603519	599941	350192	.....	.....
*604449	3652772	.....	.....	.....
*604515	(Same as 599899)			
†604934	599562	3657428	.....	.....
605374	3652772	3705685	.....	.....
605383	3652772	3705685	.....	.....
605384	3682772	3705685	.....	.....
605632	3652772	3705685	.....	.....
3656559	3702625	.....	.....	.....
*3656733	3690850	3690852	3690855	3690866
3656905	3656906	.....	.....	.....
‡3658252	3658253	3658255	3658256	599562

Rear Spring Assy.	Leaf No. 1	Leaf No. 2	Leaf No. 3	Leaf No. 4
3659368	599518	599520	.....	599523
3681359	3681362	.....	3681365	.....
*3682298	3702625	3682318	.....	.....
‡3683317	3683318	3683320	3683321	.....
*3686487	3691367	3691369	3691370	3691372
3687477	3687478	3687480	3688112	.....
‡3687786	3683318	3683320	3687787	3683321
3689128	3687478	3689184	3689185	3689186
*3689276	3687478	3689184	3689185	3689186
3690849	3690850	3690852	3690865	3690866
3690893	3691367	3691369	3691370	3691372
*3692293	3652772	3705685	.....	.....
*3692294	3652772	3705685	.....	.....
3693624	3702625	3702627	.....	.....
3697663	3652772	3697664	3697665	.....
*3697914	3652772	3697664	.....	.....
3697919	3652772	3697664	3697920	.....
3697926	3652772	3697664	3697927	.....
3698085	3652772	3697664	3697920	.....
3702624	3702625	3702627	3702628	3702629
3704154	3652772	3705685	.....	.....
3705482	3683318	3683320	3687787	.....
3707591	3652772	3705685	.....	.....

\*For identification only. Assembly not serviced.

†Auxiliary spring.

‡NOTE: 3657428 No. 5 leaf for Spring Assy. 3658252; 3687791 No. 5 leaf for Spring Assy. 3683317 and No. 6 leaf for Spring Assy. 3687786.

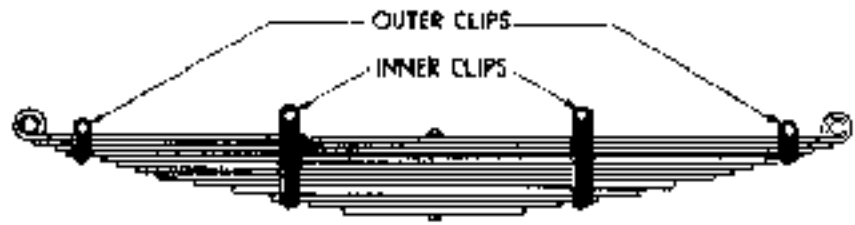
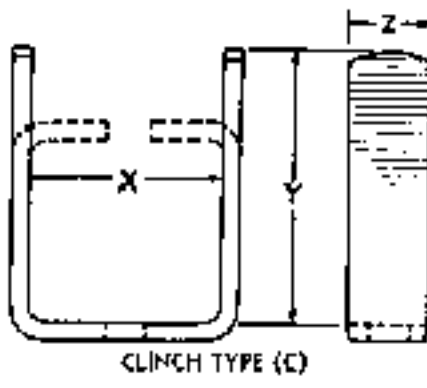
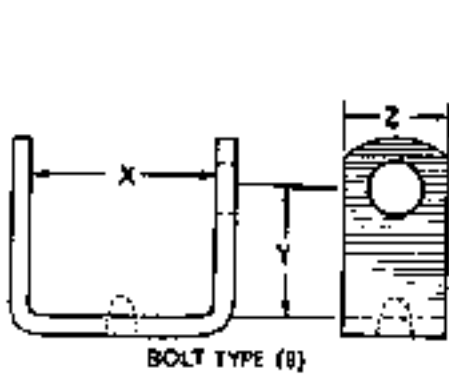
**7.506 BOLT, Spring Center (Front and Rear)**

ALL	ALL	fill plain hd.— $\frac{3}{16}$ —24 x $3\frac{1}{4}$ ( $2\frac{1}{8}$ thds.)..	1288224†	2	.18
46-49	1 TON (CAB, IFC)	flat plain hd.—( $\frac{3}{16}$ —24 x $4\frac{1}{4}$ ).....	3681382	A.R.	.22
ALL	UTILITY	ctr. (univ.—cut to req. length) ( $\frac{3}{8}$ —24 x $6\frac{1}{8}$ ) ( $4\frac{1}{8}$ full thd.).....	609820	A.R.	.30
47-54	UTILITY (exo. SBC)	w/aux. spring ( $\frac{3}{8}$ —24 x $6\frac{1}{4}$ w/ $\frac{3}{16}$ thd.)..	3686605	2	.30

†NOTE: Used when a  $\frac{5}{16}$  dia. bolt up to and including  $3\frac{1}{2}$  length is required.

**7.513 CLIP, Spring Rebound (Front and Rear)**

NOTE: For application, see Front and Rear Spring Clip Chart.



Part No.	Type	X	Y	Z	List Price
350150	B	$2\frac{3}{16}$	$4\frac{1}{16}$	1	.37
353835	C	$1\frac{13}{16}$	$2\frac{3}{16}$	$\frac{3}{4}$	.13
353863	B	$2\frac{3}{16}$	$1\frac{5}{16}$	1	.20
363940	C	$1\frac{13}{16}$	$1\frac{1}{2}$	$\frac{3}{4}$	.13
354066	C	$1\frac{13}{16}$	$2\frac{3}{16}$	$\frac{3}{4}$	.15
362533	C	$2\frac{3}{16}$	$2\frac{1}{8}$	1	.20
376796	C	$1\frac{13}{16}$	$1\frac{3}{8}$	$1\frac{1}{2}$	.15
475270	C	$1\frac{13}{16}$	$3\frac{1}{16}$	1	.20

Part No.	Type	X	Y	Z	List Price
597158	B	$2\frac{1}{16}$	$1\frac{1}{16}$	1	.20
1150438	B	$1\frac{23}{32}$	$2\frac{5}{16}$	$\frac{3}{4}$	.13
1150870	B	$2\frac{3}{16}$	$2\frac{5}{16}$	1	.27
3681023	B	$2\frac{1}{16}$	$2\frac{1}{16}$	1	.35
3657930	B	$2\frac{1}{16}$	$2\frac{5}{16}$	1	.20
3698596	B	$2\frac{1}{16}$	$3\frac{1}{4}$	1	.27
3662140	B	$2\frac{1}{16}$	$1\frac{3}{4}$	1	.20
3682307	B	$2\frac{1}{16}$	$3\frac{11}{16}$	1	.35

**FRONT SPRING CLIP CHART**

NOTE: See Group 7.412 for Spring Assembly Model Application.

Spring Assy.	Outer	Inner	Spring Assy.	Outer	Inner	Spring Assy.	Outer	Inner
350225	353940	353835	594991	353940	354066	3656610	353940	1150438
368122	(Not Serv.)	354066	599316	353940	353835	3657834	597158	3657930
374967	376796	None	599504	377315	None	3693911	353940	354066
376181	353940	353835	599583	377315	(Not Serv.)	3695108	597158	(Not Serv.)
377308	*	475270	2062477	377315	(Not Serv.)	3697686	597158	3662140
592475	376796	None	3651022	597158	3651023	3702793	353940	353835
593688	†	353835	3653941	353940	353835	3703307	3651576	3651023
594075	353940	354066						

\*NOTE: 377308 use 353940 (front) and 377315 (rear).

†NOTE: 593688 uses 353940 (front).

**REAR SPRING CLIP CHART**

NOTE: See Group 7.503 for Spring Assembly Model Application.

Spring Assy.	Outer	Inner	Spring Assy.	Outer	Inner	Spring Assy.	Outer	Inner
350152	(Not Serv.)	350150	599983	376796	None	3683317	353940	354066
374835	353940	354066	604934	362533	None	3687477	(Not Serv.)	3651023
376122	376796	None	605374	376796	None	3687786	353940	354066
475017	376796	None	605383	376796	None	3689128	597158	3658596
476420	376796	476407	808384	376796	None	3690849	(Not Serv.)	350150
594438	376796	None	605632	376796	None	3690893	353863	None
594447	376796	None	3653281	(Not Serv.)	(Not Serv.)	3692283	376796	None
597143	376796	None	3656559	597158	(Not Serv.)	3692294	376796	None
599542	597158	(Not Serv.)	3656905	353863	(Not Serv.)	3693624	597158	None
599656	353863	None	3658282	353863	None	3702624	597158	3658596
599695	(Not Serv.)	1150870	3659368	353940	354066	3704154	376796	None
599899	362533	None	3681359	597158	(Not Serv.)			

**7.516 "U" BOLT, Rear Spring**

NOTE: See page 431 for pictorial explanation of dimensions.

	"A"	"B"	"C"	"D"	"E"	"T"		
31-37 PASS. (exc. CC, DC, EC, FC),								
33-36 SDL.,								
31-46 1/2 TON.....	6 3/8	7 3/8	1 3/8	2 3/8	1/2	2 3/8	602509	.65
33-36 CC, DC, EC, FC.....	6	6 1/8	1 3/8	2 3/8	3/16	1 1/8	473764	.48
34-35 P, Q (Aux. Spring) (w/5 and 8 leaf spring),								
36 R (w/599899 Spring having extra No. 2 leaf).....	4 1/8	5 3/8	2 11/16	3 11/16	3/8	1	602267	.43
34-40 UTILITY (exc. WC, WD).....	9 3/8	10 1/4	2 13/16	3 13/16	5/8	2 1/2	609860	.87
34-40 UTILITY.....	10 3/4	11 3/8	2 17/16	3 13/16	3/4	2 1/8	609859	.67
37-39 UTIL. (exc. CAN. EXP.),								
40-46 UTIL. (exc. WC, MT, MY, OG, OW, OY).....	11 3/8	12	2 17/16	3 13/16	3/8	3 3/8	609900	.97
37-40 UTIL.....	10 1/8	10 3/4	2 11/16	3 13/16	5/8	1 1/2	596626	.75
37-40 COMM. (exc. 1/2 TON).....	7 3/8	8 3/8	2 1/8	3 1/8	1/2	1 5/8	597928	.53
38 PASS.,								
47 1/2 TON.....	4 3/16	4 11/16	1 13/16	2 33/16	1/2	2 3/8	601231	(7.417)
39-41 VE, WD, YU (with aux. spring).....	12 1/16	12 1/2	4 3/8	5 3/8	5/8	2 3/4	3651610	.97
40 WD (Aux. Spring w/2-Speed).....	12 11/16	12 11/16	4 3/8	5 3/8	5/8	2 3/4	3652374	.92
40 WD (Dbl. Act. Rear Spring w/2-Speed).....	10 11/16	11 5/16	4 3/8	5 3/8	5/8	2 3/4	3652376	.53
41-42 AL, AM, BL, BM.....	7 3/8	8 1/8	3 5/8	4 5/8	3/4	1 1/8	3656642	.70
41-42 AN, BN (PANEL).....	7 1/4	7 3/4	2 1/8	3 1/8	1/2	1 3/8	3656740	.65
41-42 UTIL. (exc. PANEL) (dbl. act. shocks),								
46-47 1 1/2 TON, SBC (exc. PANEL).....	9 1/2	9 7/8	2 1/2	3 3/4	5/8	2 1/4	3656558	.70
41-42 YR, MR (Single Wheels).....	8	8 3/8	2 11/16	3 13/16	5/8	2 1/4	3658423	.75
41-46 YR, MR, OR, PJ (w/PAN) (dbl. act. shocks)	8 1/2	8 3/8	2 11/16	3 13/16	5/8	2 1/4	3656745	.75
46-54 COMM. (exc. 1/2 TON).....	7 3/8	8	2 1/8	3 5/8	5/8	2 1/2	3681686	.70
46-54 1 TON (exc. SGL. UNIT).....	9	9 3/8	2 1/8	3 5/8	5/8	2	3681360	.75
46-54 UTILITY (exc. SBC, OR, OS, PJ, PK).....	11 3/4	12 5/8	2 13/16	4 1/8	3/4	2 1/4	3684051	1.30

		"A"	"B"	"C"	"D"	"E"	"T"		
46-47	OF, OG, PW, PX, QW, QX.								
48-54	UTILITY (exc. COE, RV).....	10	10 <sup>1</sup> / <sub>8</sub>	2 <sup>1</sup> / <sub>8</sub>	4 <sup>1</sup> / <sub>8</sub>	1/4	2 <sup>1</sup> / <sub>2</sub>	3681659	1.30
34-48	1 <sup>1</sup> / <sub>2</sub> TON,								
46	COMM.								
47-54	3/4, 1 TON.....							373912	(5.813)
49-54	PASS., 1/2 TON.....							3691530	(7.395)

#### 7.518 PLATE—SPACER, Rear Spring "U" Bolt (See group 5.403)

41	PASS.....	"U" bolt anchor.....	3688011	2	(7.370)
42-48	PASS.....	"U" bolt anchor.....	3664177	2	(7.370)
40	KA, KH.....	"U" bolt.....	3653133	2	(7.370)
40	KB.....	"U" bolt.....	3653134	2	(7.370)
46-54	3/4, 1 TON.....	"U" bolt anchor (cast 3681703).....	3681703	2	2.05
49-54	PASS.....	left, "U" bolt anchor.....	3688655	1	(7.370)
49-54	PASS.....	right, "U" bolt anchor.....	3688656	1	(7.370)
50-54	1/2 TON.....	anchor.....	3689615	2	(7.370)
29-54	PASS., 1/2 TON (exc. CC, DC, EC, FC)...	SPACER, rear spring "U" bolt.....	3701092	2	.13
34-35	UTILITY.				
37-40	UTIL. (Dbl. act. springs on VE, VF, WD)...	SPACER, rear spring "U" bolt.....	373046	2	.75
37-47	1/2 TON.....	SPACER, "U" bolt.....	3676332	A.R.	(7.370)
39-40	V, W (w/auxiliary springs).....	SPACER, "U" bolt.....	3652554	2	.13
37-40	COMM. (exc. 1/2 TON).....	SPACER, "U" bolt.....	596861	2	.75
37-54	UTIL. (exc. SBC).....	SPACER, auxiliary spring.....	3652468	2	.28
39-54	2-SPD.,				
42	UTILITY (w/hvy. duty) (exc. SBC).....	SPACER, rear spring "U" bolt.....	3652467	2	.20
41-42	AN, BN,				
46-54	3/4, 1 TON.....	SPACER, "U" bolt.....	3656741	2	.20
41-54	1 <sup>1</sup> / <sub>2</sub> TON (exc. hvy. duty).....	SPACER, "U" bolt.....	3656729	2	.20

#### 7.521 SHACKLE, Rear Spring

35-48	PASS. (exc. EA, FA, GA, HA, JA).....	inner (3 <sup>3</sup> / <sub>8</sub> O.L.).....	495034	2	(7.436)
34-39	PASS. (exc. DC, EC),				
34-54	1/2 TON.....	(4 <sup>1</sup> / <sub>8</sub> O.L.).....	350441	A.R.	.40
40-48	PASS.....	outer (4 <sup>3</sup> / <sub>8</sub> O.L.).....	3653692	2	.40
33-54	3/4, 1 TON, UTILITY.....	w/bushing.....	3705599*	2	2.55
40-54	PASS.....	rear spring inner (w/rubber bushg.).....	3690884	2	.28
30-35	ALL (exc. DA, DE, F, EA, EB, ED, Q).....	SHACKLE UNIT, (w/3/8 bolt) (4 <sup>3</sup> / <sub>8</sub> O.L.).....	602999	2	1.92
34-39	PASS. (exc. DC, EC),				
34-54	1/2 TON.....	SHACKLE UNIT (4 <sup>3</sup> / <sub>8</sub> O.L.).....	603588	2	2.20
40-48	PASS. (hvy. duty operation),				
48-54	PASS.....	SHACKLE UNIT (steel bush. type).....	604478	2	2.20
40-54	PASS.....	SHACKLE UNIT (rubber bush. type).....	609462	2	2.06

\*NOTE: Use one 5841505 spacer with each shackle; on models prior to 1941 use 3656671 bolt. Also used on UTILITY w/3705599.

#### 7.524 BUSHING, Rear Spring

40-54	PASS.....	(rubber bushed shackles).....	3660540	8	.18
-------	-----------	-------------------------------	---------	---	-----

#### 7.526 BRACKET, Auxiliary Spring

34-36	UTILITY.....	(stamped 600279).....	600279	2	1.89
37-41	UTILITY (exc. SGL. UNIT),				
42-48	UTILITY (exc. SGL. UNIT, SBC),				
49-54	1 TON, UTIL. (exc. SBC).....		3653773	4	1.89

#### 7.529 BOLT—PIN, Rear Spring Shackle

29-33	ALL.....	rear spring front end (3/8—18 x 3 <sup>1</sup> / <sub>8</sub> ).....	344336	15	.50
33-35	CC, DC, EC.....	rear spring front end (3/8—18 x 2 <sup>1</sup> / <sub>8</sub> ).....	473281	2	.22
34-36	DE, EB, FB.....	rear spring hanger eye (1 <sup>1</sup> / <sub>8</sub> —16 x 3 <sup>1</sup> / <sub>2</sub> ).....	373200	2	(7.428)
34-54	PASS. (exc. DC).....	front eye (1/2—13 x 3 <sup>3</sup> / <sub>8</sub> ).....	3685989	2	.27
37-54	1/2 TON.....	front eye (1 <sup>1</sup> / <sub>8</sub> —16 x 3 <sup>3</sup> / <sub>8</sub> ).....	593990	2	(7.428)
41-54	3/4, 1 TON, UTILITY.....	pin lock (3/8—24 x 1 <sup>3</sup> / <sub>8</sub> ).....	3656671	6	.27
30-35	AD, AE, B, C, DC, EC.....	PIN (use w/3/8 bolt—plain) (2 <sup>1</sup> / <sub>8</sub> long).....	358326	8	(7.427)
33-40	3/4, 1 TON, UTIL.....	PIN (3/8 x 4 <sup>5</sup> / <sub>16</sub> ) w/round keyway.....	369722	6	.77



34-48	PASS., 1/2 TON,				
36-54	1/2, 3/4 TON (exc. D-D)	PIN, threaded, tapered (3 1/8 long)	373199	4	(7.427)
34-48	PASS., 1/2 TON,				
36-54	1/2, 3/4 TON (exc. D-D)	PIN, rear spring shackle (.003 O.S.)	601894	4	(7.427)
41-54	3/4, 1 TON, UTILITY	PIN (3/8 x 4 3/8) w/flat keyway	3656669	6	.78

### 7.530 NUT—SPACER, Rear Spring Eye Bolt

34-36	DB, EB, FB	front hanger	373202	2	.08
37-54	1/2 TON	front hanger	593992	2	(7.432)
37-54	3/4, 1 TON	SPACER (2 holes 1 dia.)	5841505	A.R.	.25
42-48	BN, MR, DS, ES, FS (PANEL)	SHIM, rear spring eye (1/8 I.D. x 1 1/8 x .005)	373481	A.R.	(6.214)

### 7.535 BUMPER—BRACKET, Rear Spring

29-36	UTILITY,				
37-38	COMM., UTILITY,				
39-46	3/4, 1 TON, UTILITY,				
47-52	3/4 TON, DUBL-DUTI	(5 long x 1 1/4 wide)	334538	2	.47
29-33	PASS., COMM. (exc. CC),				
34-46	1/2 TON	(2 1/8 long x 1 1/8 wide)	365627	2	.47
34-36	DA, EA, ED, FA, FD		350251	2	(7.422)
36-39	PASS. (exc. FA, FD)	(5 1/2 long x 1 1/2 wide)	594149	2	.58
40	PASS.	(stamped 3652936)	3652936	2	.77
41-54	PASS.	(3 1/4 high)	3692555	2	.53
47-53	1/2 TON		3683477	2	.53
47-48	UTILITY,				
47-51	1 TON (exc. D-D)	(1 1/8 wide, 2 1/4 high, 5 in. long)	3662242	2	1.23
48-54	UTILITY	(1 1/8 wide, 3 1/4 high, 5 in. long)	3690895	2	1.23
52	1 TON (exc. D-D),				
53-54	3/4, 1 TON	(1 3/4 wide, 2 1/4 high, 5 in. long)	3700034	2	.85
54	1/2 TON	BRACKET (5 long w/3 holes 1/2)	3707576	2	.35

### 7.629 CLAMP, Wheel Carrier

37	BUS. CPE., SDL., T. SED., S. SED.,				
38	BUS. CPE., SDL.,				
39-48	CPE., CONV., SDL.	(16 in. wheels)	594335	1	.35
37	BUS. CPE., SDL., T. SED., S. SED.,				
38	BUS. CPE., SDL.,				
39-48	CPE., CONV., SDL.	(18 in. wheels)	594336	1	.35
37-41	S, T, V, W, YR, YS, COE	(back of cab wheel carrier),			
38-40	PASS. (TRUNK jobs)	(16 in. wheels)	597408	1	.35
41-48	PASS. (exc. CPE., CONV., SDL.)	(16 in. wheels)	3688598	1	.35
49-54	PASS. (exc. STA. WAG., SDL.)		3688958	1	.35

### 7.632 BOLT, Wheel Carrier

30-36	BC, CB, DB, EB, FB,				
40-48	STA. WAG.,				
53-54	1/2 TON (PICK-UP) (side mtd.)	wheel mtg. (1/8-20 x 1)	594202	3	(7.874)
37-40	PASS.,				
41-48	CPE., CONV., SDL.	clamp (1/8-20 x 2 3/8)	597491	1	.13
37	GC (exc. SUB),				
38-39	HC, JC (PICK UP),				
40	KC,				
42-50	1/2 TON (CAN. EXP.)	clamp (type "T") (1/2-13 x 6 3/8 O.L.)	594488	1	.40
34-36	ALL (exc. DC, EC, FC),				
37-54	BN, UTIL.,				
37-39	COMM. (exc. GC, HC),				
46-50	1 TON (exc. SGL. UNIT)	clamp (eye type) (1/2-13 x 9 3/8)	3847194	2	.60
37-39	3/4, 1 TON,				
40-42	1/2, 3/4 TON,				
46-50	3/4 TON PLATFORM	center strap (1/8-20 x 1 3/8)	3661613	A.R.	.07
39-42	COE (exc. PLTFM.)	(3/8-24 x 4 1/8)	3654241	A.R.	(9.008)
41-50	AK, AN, BK, BN, CK, DP, EP, FP, GP, HP	clamp (1/2-13 x 9 3/8)	3657456	1	.38
41-48	SEDAN,				
49-50	PASS. (exc. SDL., STA. WAG.)	clamp (1/8-20 x 8 3/8)	3691026	1	.38
42	MR, MS, MU, MV, MW	hook (14 3/8) back of cab	3665405	1	1.37
42-50	UTIL. (exc. SBC)	hook (16 1/2) back of cab	3665404	1	1.37

42-50	1/8 TON (PANEL, SUB.),				
50-54	1/8 TON.....	clamp (type "T") (1/2-13 x 7 1/2).....	3696301	1	.38
42-50	1/4, 1 TON (PANEL).....	clamp (type "T") (1/2-13 x 11).....	3665060	1	.43
42-50	BL, BM, DR, ER, FR, GR, HR (PLIFM.)...	clamp (hook type) (1/2-13 x 5).....	3664928	1	.33
42-49	UTIL. (exc. SBC).....	clamp (1/2-18 x 8 1/4).....	3665412	1	.71
46-50	1/4 TON (exc. PAN.), D-D.....	clamp (hook type) (1/2-13 x 13 1/2).....	3681399	1	.49
51-54	PASS. (exc. SDL., STA. WAG.).....	clamp (1/8-20 x 6 1/2 O.L.).....	3696384	1	.33
51-54	1/2, 1 TON SGL. UNIT, D-D,				
52-54	1/4 TON.....	frt. clamp (hex. hd.) (7/8-18 x 9).....	3697356	1	.47
51-53	1/4 TON,				
51-54	1 TON (exc. SGL. UNIT, D-D).....	frt. clamp (hex. hd.) (7/8-18 x 10 1/2).....	3697357	1	.52
51-54	1/4, 1 TON (exc. SGL. UNIT, D-D).....	rear clamp (eye type) (1/2-13 x 11 1/4)....	3683501	1	1.05
51-54	1 TON (SGL. UNIT), D-D.....	rear clamp (type "T") (1/2-13 x 9 1/4)....	3696794	1	.47
41-42	SEDAN.....	PIN, clevis (for use w/clamp bolt).....	3653267	1	(4.823)
39-42	UTIL. (exc. WC, YT, MY),				
46-51	2 TON (exc. SBC, TY, UY).....	EXTENSION, clamp bolt (2 1/2 x 11 1/16).....	3650095	2	.85

**7.633 NUT, Wheel Carrier**

29-32	COMM., UTILITY,				
33-54	UTILITY,				
37-39	1/4, 1 TON,				
42-50	1 TON.....	wing (1/2-13).....	348347	2	.33
37-50	COMM. (SGL. UNIT).....	tee (1/2-13 x 3 1/16).....	594487	1	.85
41-48	SEDAN,				
41-50	1/4 TON (PLATFORM).....	(7/8-20) wheel assembly to rear wheel			
46-54	PASS.....	carrier.....	358501	A.R.	(5.813)
41-48	COMM. (exc. PLATFORM).....	(7/8-20) wheel to rear wheel carrier.....	164379	1	(5.835)
51-54	COMM.....	clamp bolt (1/2-13).....	3697354	1	.43
35	EA, ED,				
41-48	SEDAN.....	lock (7/8-20 double head, 1 1/2 O.L.).....	379458	1	.13
37-40	COMM., UTILITY.....	lock (1/2-13 double head).....	594486	1	.13
41-50	COMM. (exc. DS, ES, FS, GS, HS).....	lock (1/2-20) (part of 606076).....	3658045	1	.27
46-48	STA. WAG.,				
53-54	1/2 TON (PICK-UP) (side mtd.).....	lock (7/8-20 double hd., 1 1/2 O.L.).....	3682848	1	.13
54	1/4, 1 TON (PICK-UP).....	lock (1/2-20 x 1 1/2).....	3705082	1	.35

**7.675 LOCK ASSEMBLY, Wheel Carrier**

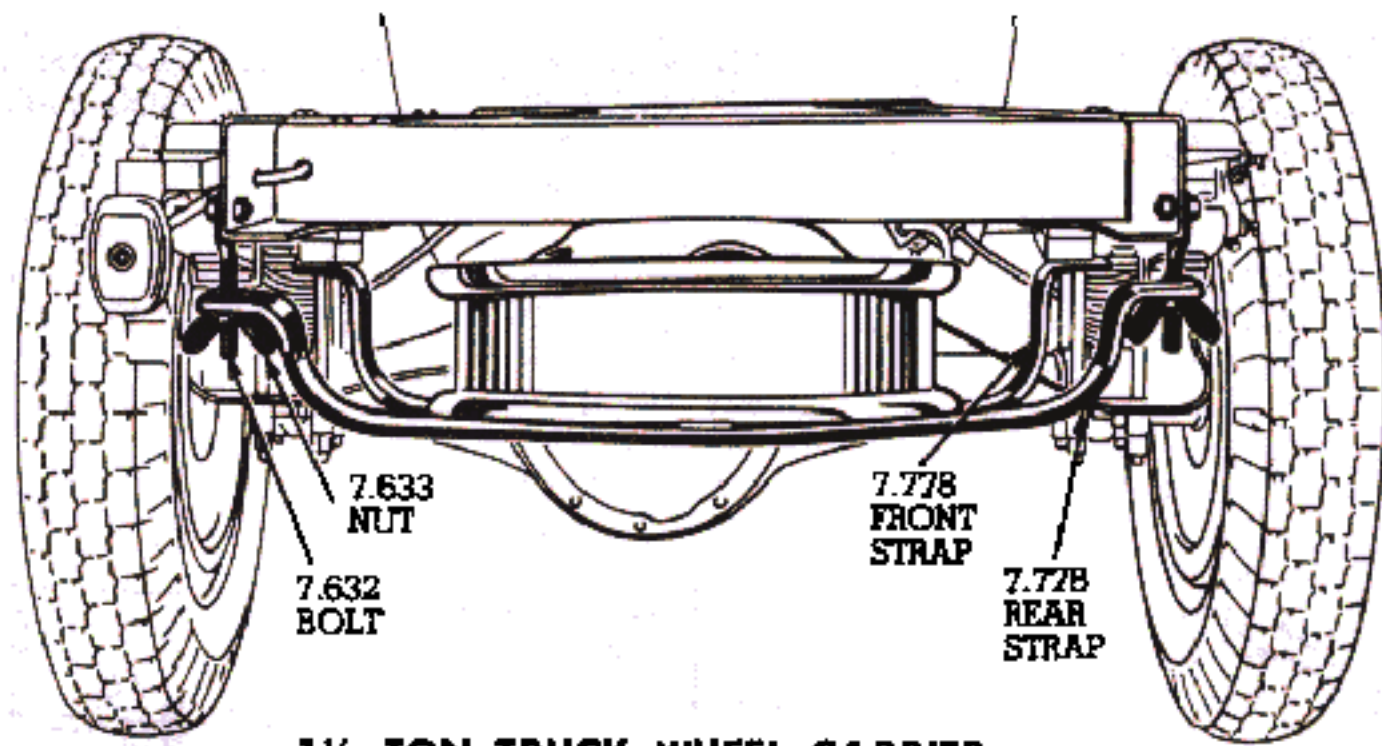
37-50	CAN. EXP.....		602876	1	3.74
41	COMM.,				
42-50	COMM. (exc. SGL. UNIT, D-D, 1 TON).....		606076	1	3.89

**7.679 HOUSING—CASE, Wheel Carrier Lock**

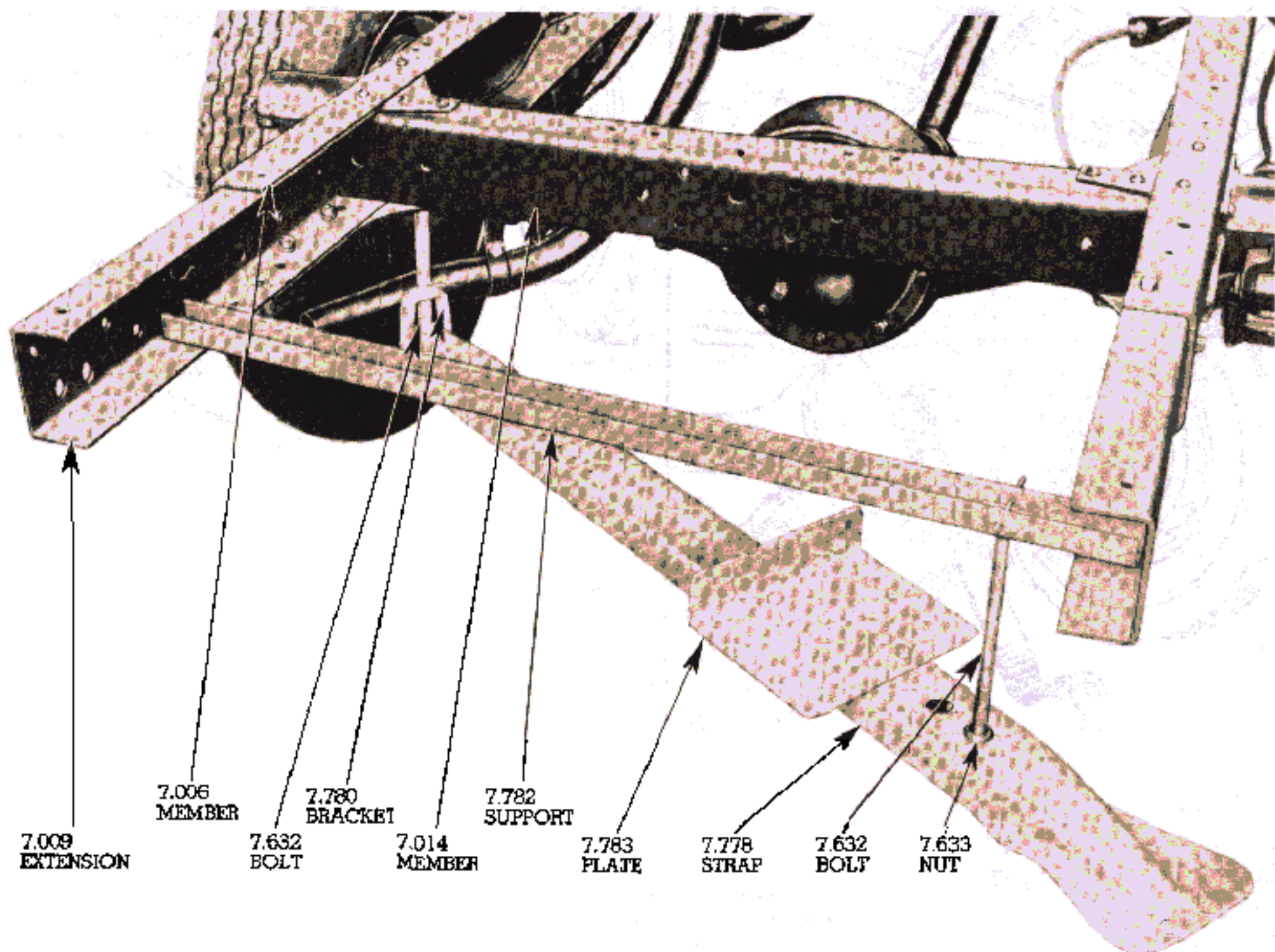
41-50	COMM. (CABS) (exc. DS, ES, FS, GS, HS)	w/spring.....	3659170	1	.68
35-38	EC, F, R, G, S, H, T (exc. FB),				
39	STA. WAG.,				
39-41	COMM.,				
41-48	SEDAN,				
42-50	1/2, 1/4 TON, D-D (exc. SGL. UNIT),				
46-48	STA. WAG.,				
53-54	COMM. (PICK-UP) (side mtd.).....	CASE (for lock 606076).....	379477	1	.45

**7.680 CYLINDER—PLUNGER—SPRING, Wheel Carrier Lock**

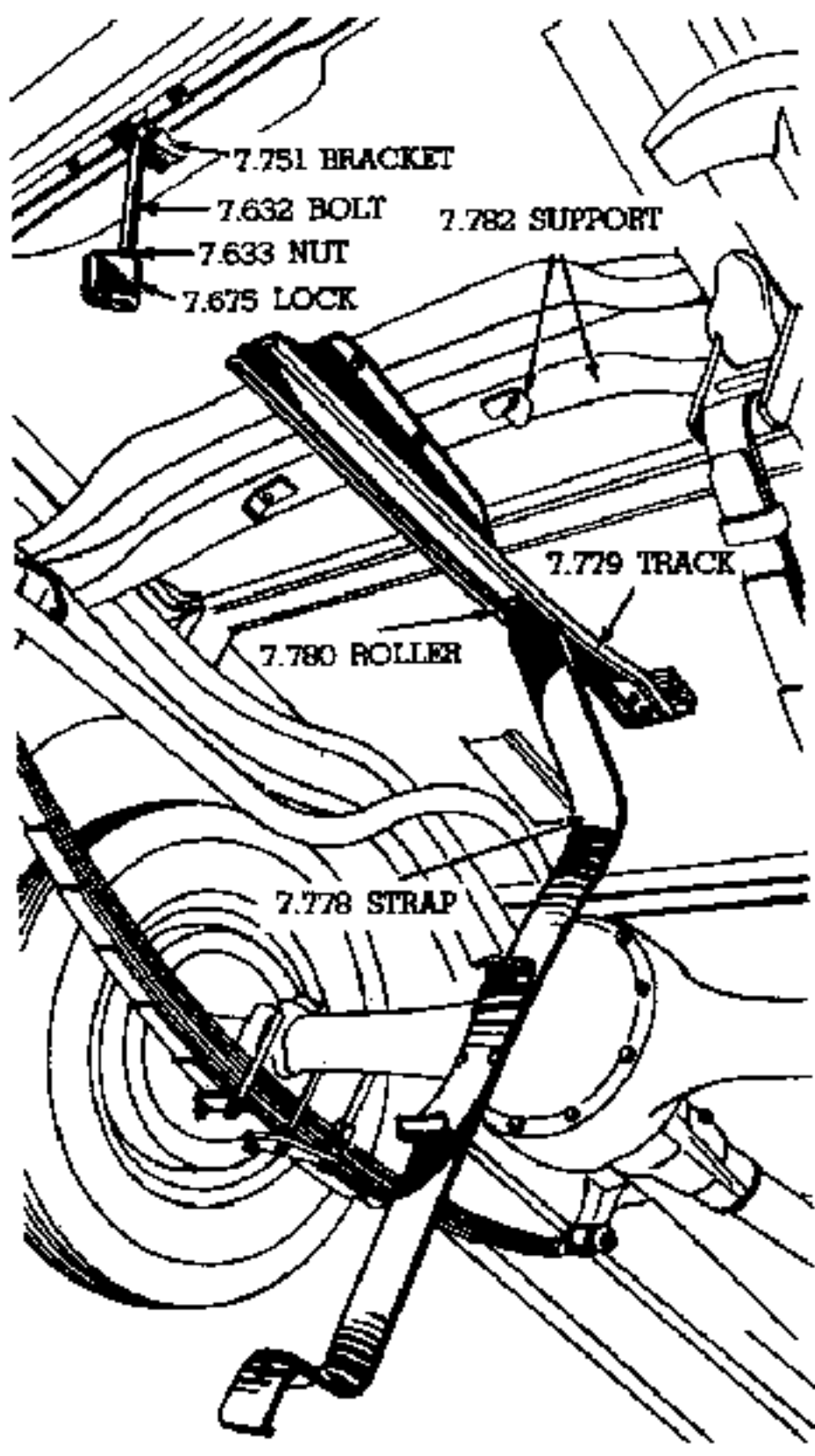
34-36	DB, EA, EC, ED, FA, FC, FD,				
37-48	PASS., UTIL. (exc. COE),				
49-50	COMM.,				
53-54	COMM. (PICK-UP) (side mtd.).....	less tumblers.....	601271	1	.94
37-38	PASS.,				
40-48	STA. WAG.....		1097319	1	(2.188)
34-38	DC, EA, EC, R, S, T,				
37-50	COMM. (exc. KF, BN),				
39	STA. WAG.,				
41-48	SEDAN,				
46-48	STA. WAG.,				
53-54	COMM. (PICK-UP) (side mtd.).....	PLUNGER.....	496557	1	.18
34-38	DC, EA, EC, R, S, T,				
37-50	COMM. (exc. KF, BN),				
39	STA. WAG.,				
41-48	SEDAN,				
46-48	STA. WAG.,				
53-54	COMM. (PICK-UP) (side mtd.).....	SPRING.....	496558	1	.06



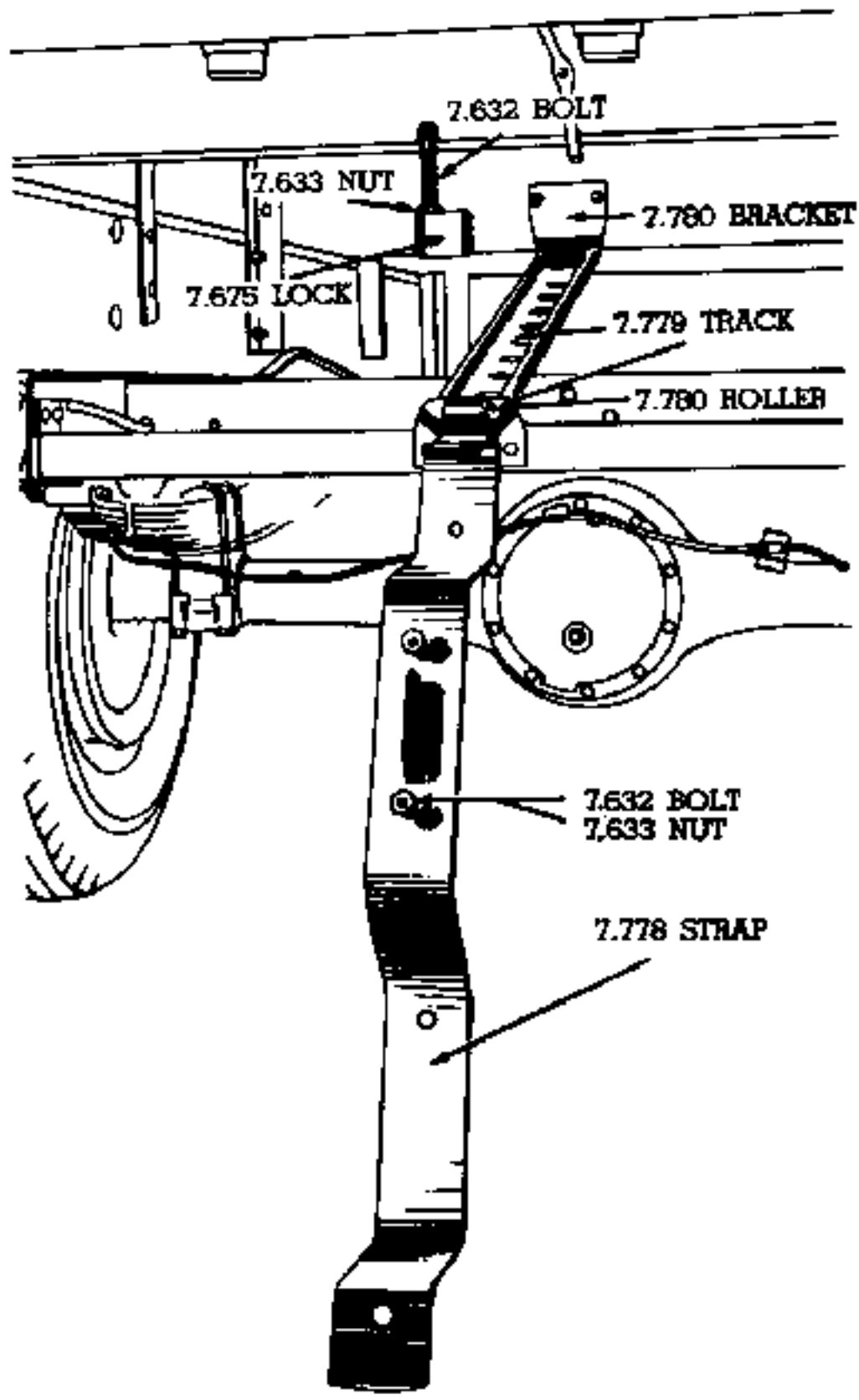
**1 1/2 TON TRUCK WHEEL CARRIER**



**1951-54 COMMERCIAL WHEEL CARRIER**



1/2 TON



3/4 TON

**COMMERCIAL WHEEL CARRIER**



**7.751 CARRIER ASSY.—BRACKET—SPACER—PLATE—RAIL, Wheel**

40-48	STA. WAG.	w/locknuts	604501	1	3.58
37-41	½ TON (PICK-UP)	BRACKET	467191	1	.37
42-50	½ TON, DR.				
42-50	1 TON (SGL. UNIT),				
48-51	DUBL-DUTI	SPACER, frame	3690787	1	1.98
53-54	½ TON (PICK-UP) (side mtd.)	PLATE (w/three ½—20 x 1 attach. bolts)	3702873	1	1.50
53-54	¾, 1 TON (PICK-UP) (side mtd.)	PLATE (w/three ½—20 x 1 attach. bolts)	3702900	1	1.50
53	COMM. (PICK-UP) (side mtd.)	RAIL, brkt., L. (1½ x 1½ x 17½)	3702877	1	.88
53	COMM. (PICK-UP) (side mtd.)	RAIL, brkt., R. (1½ x 1½ x 17½)	3702878	1	.88
53	COMM. (PICK-UP) (side mtd.)	RAIL, brkt., L. (1½ x 2½ x 17½)	3702905	1	.75
53	COMM. (PICK-UP) (side mtd.)	RAIL, brkt., R. (1½ x 2½ x 17½)	3702906	1	.75
54	COMM. (PICK-UP) (side mtd.)	RAIL, brkt., L. (1½ x 19½ w/4 slots)	3705613	1	.80
54	COMM. (PICK-UP) (side mtd.)	RAIL, brkt., R. (1½ x 19½ w/4 slots)	3705614	1	.80
54	COMM. (PICK-UP) (side mtd.)	RAIL, brkt., L. (1½ x 19½ w/3 slots)	3705615	1	.90
54	COMM. (PICK-UP) (side mtd.)	RAIL, brkt., R. (1½ x 19½ w/3 slots)	3705616	1	.90

**7.778 STRAP, Wheel Carrier**

29-42	UTIL., BN (exc. SGL. UNIT)				
46-50	1½ TON UTIL., DS, ES, FS, GS, HS (exc. SGL. UNIT)	rear cross (for rear wheel carrier)	348348*	1	1.48
37-54	UTILITY (exc. 1½ TON SBC)	rear cross	609774†	1	1.42
31-42	BN, UTILITY (exc. COE),				
37-38	¾, 1 TON,				
46-50	1 TON, UTILITY (exc. SGL. UNIT),				
51-54	UTILITY	front cross	609773	1	1.42
41	COMM. (PICK-UP),				
42	COMM. (SGL. UNIT),				
46-50	½, ¾ TON (CAB, PICK-UP, FTC)		3681633	1	3.74
42-50	COMM. (SGL. UNIT)		3681389	1	3.89
46	DR (PLATFORM)	center	3681392	1	4.02
47-50	¾ TON COMM. (PLATFORM)	center	3684598	1	4.48
51-53	COMM.	diagonal cross	3697278	1	2.11
54	COMM.	diagonal cross (14 holes ½)	3704266	1	2.28

\*NOTE: Not used on S, T, V, W, Y, M with 7.50 x 20—8 ply tires. Not used on W, Y, M with 34 x 7—10 ply or 8.25 x 20—10 ply tires.

†NOTE: Used w/7.50 x 20—8, 8.25 x 20—10 and 9.00 x 18—10 ply tires.

**7.779 TRACK ASSEMBLY, Wheel Carrier**

39-50	ID, KE, KF, AL, AM, BL, BM, DR, ER, FR, GR, HR (PLATFORM)		598851	1	1.46
41-50	½ TON		3658388	1	1.98
41-50	1 TON (SGL. UNIT)		3658036	1	1.98
41-50	AL, AM, BL, BM, DR, ER, FR, FT, GR, GT, HR, HT (CAB w/PICK-UP, PANEL)		3658432	1	1.98

**7.780 BRACKET—ROLLER, Wheel Carrier**

37-50	¾ TON (PLATFORM)	track	597427	1	.35
41-46	½ TON	track	3658134	1	.35
51-54	COMM.	diagonal cross strap	3697352	1	.23
37-50	COMM. (SGL. UNIT on DS, ES, FS, GS, HS)	ROLLER (¾ dia. x 2¾ long)	594485	1	.08

**7.782 MEMBER—SUPPORT—BRACE, Wheel Carrier Cross**

37-50	¾ TON (PLATFORM)		597424	1	1.75
41-50	1 TON (SGL. UNIT)		3659526	1	1.18
41-50	AL, AM, BL, BM, DR, ER, FR, FT, FU, GR, GT, GU, HR, HT, HU (CAB w/PICK-UP, PANEL)	SUPPORT	3657974	1	.91
41-50	½ TON	SUPPORT	3658357	1	1.18
51-54	¾, 1 TON	SUPPORT	3696786	A.R.	.95
53-54	COMM. (PICK-UP) (side mtd.)	SUPPORT, side panel lower (2 sq., 4 rd. holes—13 O.L.) (2 rd. holes 2¾ ctr. to ctr.)	3705882	1	.75
53-54	COMM. (PICK-UP) (side mtd.)	BRACE, side	3702880*	2	.94
53-54	COMM. (PICK-UP) (side mtd.)	BRACE, center	3702881*	1	.90

53-54	¼ TON (PICK-UP) (side mtd.)	BRACE, side	3702954†	2	.78
53-54	¼ TON (PICK-UP) (side mtd.)	BRACE, center	3702955†	1	.78

\*NOTE: Used w/7.00 x 17-6 and 8 or 7.50 x 17-8 ply tires.  
†NOTE: Used w/15" 6 ply tires.

**7.783 PLATE—GUIDE, Wheel Carrier Centering**

42	COMM. (PANEL),				
46-50	½ TON	(bolts parallel to frame side member)	3690785	1	1.98
46	DR (CAB, PAN., PICK-UP, FFC),				
46	DS (SGL. UNIT)		3681386	1	1.98
47-50	ER, FR, FT, FU, GR, GT, GU, HR, HT, HU,				
47-50	1 TON (SGL. UNIT)	(bolts parallel to frame side member)	3690785	1	2.60
51-54	COMM.	rear (bolts to diagonal cross strap)	3696506	1	.63
54	¾, 1 TON (PICK-UP)	tire lock nut cover (5½" I.D.)	3705083	1	2.95
37-50	¼ TON (PLATFORM)	GUIDE	597431	2	.85

**7.792 SEAL, Front or Rear Bumper**

37-38	GE, HB	front	594569	2	.35
37-38	GA, HA	left, front	595161	1	.35
37-38	GA, HA	right, front	595162	1	.35
37	PASS.	rear	594348	2	.35
39	PASS.	front, left	350971	1	.35
39	PASS.	front, right	350972	1	.35
39-46	½ TON (SGL. UNIT),				
40-42	WA, YR, MR (SGL. UNIT)	rear, bumper bracket, left	599743	1	.40
39-46	½ TON (SGL. UNIT),				
40-42	WA, YR, MR (SGL. UNIT)	rear, bumper bracket, right	599744	1	.40
40	PASS.	front	3654115	2	.35
40	PASS.	rear	3654109	2	.35
41	PASS.	front	3658832	2	.35
41	COMM., UTIL. (exc. COE),				
42-46	COMM. (exc. AN, DS)	front	3658003	2	.35

**7.796 BRACKET, Front License Plate**

37-40	COMM., UTIL. (exc. COE)		595805	1	.68
35-38	PASS. (exc. EC)	w/clamp	597893	1	.68
40	PASS.		3654012	1	.33
41	PASS.		3658840	1	.33
41-46	COMM., UTILITY		605358	1	.68
42	PASS.		3664316	1	.33
46-48	PASS.		3681292	1	.33
47-53	COMM., UTILITY	w/support	3847439	1	.72
49-50	PASS.		3692649	1	.33
51-52	PASS.		3695392	1	.33
53-54	PASS.	(11½" O.L.)	3700404	1	.33

**7.799 GUARD, Front License Plate**

41	PASS.		3658744	1	2.14
42	PASS.		3664842	1	2.14
49	PASS.		3690351	1	5.52
50	PASS.		3692622	1	3.91
51-52	PASS.		3698613	1	3.91
42	PASS.	COVER, crank hole	3664860	1	.55
42	PASS.	BOLT, attach. frt. lic. plate guard	3659743	2	(3.707)
49-50	PASS.	BUMPER, rubber (½ dia. head x ½ O.L.)	3690156	2	(8.024)

**7.827 GUARD, Fender**

51-52	PASS.	front, left	3695711	1	8.55
51-52	PASS.	front, right	3695712	1	8.55
51-52	PASS.	rear, left	3695801	1	8.70
51-52	PASS.	rear, right	3695802	1	8.70
53	PASS.	front, left	3702937	1	10.85
53	PASS.	front, right	3702938	1	10.85
53-54	PASS.	rear, left	3702943	1	10.85
53-54	PASS.	rear, right	3702944	1	10.85
53-54	PASS.	UNIT, rear, bumper end	986808	1	24.00
53	PASS.	UNIT, front and rear (L.H. and R.H.)	986780	1	39.00

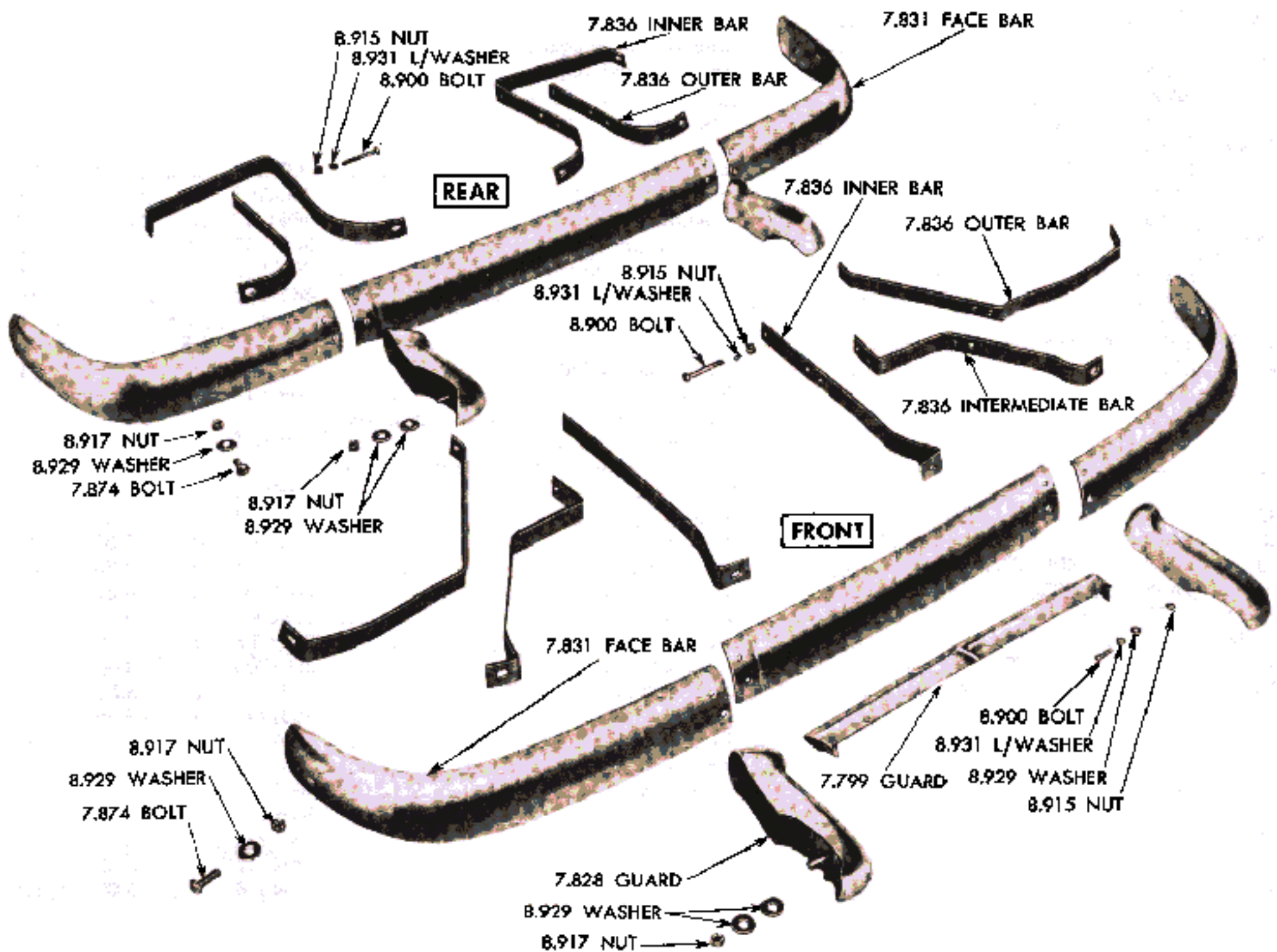
**7.828 GUARD, Bumper and Grille**

36	FA, FD	bumper	477215	4	1.72
34-37	EC, FB, FC, GB, GC	front or rear bumper	595767	4	1.72
38-39	HA, HB, J	front or rear bumper	597827	4	1.89
40	KA, KB, KC, KH	front or rear bumper	3654097	4	1.89
41	PASS.	front bumper	3658726	2	2.40
41	PASS.	rear bumper	3658730	2	2.40
41-46	COMM., Y,				
46	PJ (SGL UNIT)	bumper	604985	2	1.97
42	PASS.	front bumper, left	3664701	1	2.34
42	PASS.	front bumper, right	3664702	1	2.34
42	PASS.	rear bumper	3664399	2	2.34
46-48	PASS.	left front and right rear bumper	3681917	1	3.15
46-48	PASS.	right front and left rear bumper	3681918	1	3.15
49	PASS.	left front and right rear,			
50-52	SDL., STA. WAG.	right rear	3698611	A.R.	3.15
49	PASS.	right front and left rear,			
50-52	SDL., STA. WAG.	left rear	3698612	A.R.	3.15
49	PASS.	bumper, grille and trunk, left front and			
		right rear w/bolt	3689669	1	4.95
49	PASS.	bumper, grille and trunk, right front and			
		left rear w/bolt	3689670	1	4.95
50	PASS.	front, left	3692625	1	3.50
50	PASS.	front, right	3692626	1	3.50
50	PASS. (exc. SDL., STA. WAG.)	rear, left	3692645	1	3.50
50	PASS. (exc. SDL., STA. WAG.)	rear, right	3692646	1	3.50
51-52	PASS.	front, left	3698607	1	3.50
51-52	PASS.	front, right	3698608	1	3.50
51-52	PASS. (exc. SDL., STA. WAG.)	rear, left	3698609	1	3.50
51-52	PASS. (exc. SDL., STA. WAG.)	rear, right	3698610	1	3.50
53	PASS.	front, left	3697477	1	3.25
53	PASS.	front, right	3697478	1	3.25
53	PASS. (exc. SDL., STA. WAG.)	rear, left	3697851	1	3.25
53	PASS. (exc. SDL., STA. WAG.)	rear, right	3697852	1	3.25
53	SDL., STA. WAG.	rear, left	3698225	1	3.05
53	SDL., STA. WAG.	rear, right	3698226	1	3.05
54	PASS.	front, left	3704517	1	3.65
54	PASS.	front, right	3704518	1	3.65
54	PASS. (exc. SDL., STA. WAG.)	rear, left	3705425	1	3.65
54	PASS. (exc. SDL., STA. WAG.)	rear, right	3705426	1	3.65
54	SDL., STA. WAG.	rear, left	3705479	1	3.65
54	SDL., STA. WAG.	rear, right	3705480	1	3.65
54	PASS.	grille	3707418	1	9.75
54	PASS.	front bumper, end, L.	3707957	1	4.90
54	PASS.	front bumper, end, R.	3707958	1	4.90
54	1/2, 3/4 TON	L.H., radiator grille (painted)	3707401	1	7.25
54	1/2, 3/4 TON	R.H., radiator grille (painted)	3707402	1	7.25
54	UTILITY	front	3707897	2	4.50
51-52	PASS. (exc. SDL., STA. WAG.)	UNIT, trunk	986538†	1	
51-53	UTILITY	UNIT, grille	986536	1	25.80
53	PASS.	UNIT, grille	986803†	1	
54	PASS.	UNIT, bumper and grille	986993	1	28.80
54	UTILITY	UNIT, bumper	986978	1	9.50
54	1/2, 3/4 TON	UNIT, grille (painted)	986949	1	22.75
54	1/2, 3/4 TON	UNIT, grille (chrome)	987091	1	27.75
54	UTILITY	UNIT, grille	986957	1	31.50
49	PASS. (exc. SDL., STA. WAG.)	BAR, trunk guard cross w/bolts	3690084	1	10.82
53	PASS. (exc. SDL., STA. WAG.)	BAR, rear guard cross	3697823	1	5.25
54	PASS. (exc. STA. WAG., SDL.)	BAR, rear guard cross	3705421	1	5.25
54	1/2, 3/4 TON	BAR, radiator grille (painted)	3707404	1	5.75

†NOTE: Closeout price applies. See Dealer P & A Price Schedule.

**7.829 PLATE—SUPPORT, Bumper Guard Clamp**

38-39	HA, HB, J	bumper guard back	597825	2	.27
40	K (exc. rear on STA. WAG., SDL.)	guard back, front and rear	3654122	4	.27
54	PASS.	SUPPORT, left grille guard	3707423	1	5.25
54	PASS.	SUPPORT, right grille guard	3707424	1	5.25



## PASSENGER BUMPER PARTS

### 7.831 BAR, Bumper Face

#### FRONT

34-36	DA, DB, P, EB, Q, FB, R.....		592144	1	6.57
36	FC.....		476453	1	7.32
36	FA, FD.....		475709	1	7.08
37	GA, GB (CBL. on GB).....	(63 $\frac{1}{4}$ long)	594528†	1	7.17
37	GB, GC, GD, GE (exc. CONV.).....	(62 $\frac{1}{2}$ long)	594648†	1	7.17
38-40	PASS., COMM.,				
41	PASS.....		3847305f	1	8.38
41-42	COE.....	(4 $\frac{3}{4}$ )	3658857	1	9.74
41-46	COMM. (exc. DS),				
41-42	UTILITY (exc. COE),				
46	DS, OR, PJ (PICK-UP, SGL. UNIT).....		3656464†	1	14.28
42-46	UTILITY, DS (exc. SGL. UNIT).....	(6 $\frac{3}{4}$ ) (channel type)	3666224	1	9.40
42	PASS.....		3663788	1	9.40
46-48	PASS.....		3681219	1	12.85
47-54	$\frac{1}{2}$ , $\frac{3}{4}$ TON (exc. D-D).....	(primed)	3700438†	1	10.43
47-54	1 TON (exc. D-D).....	(primed)	3700437†	1	13.50
47-53	UTILITY.....		3684096	1	11.85
48-53	DUBL-DUTI.....		3690266	1	10.29
49-52	PASS.....	center	3698604*	1	4.29
49-52	PASS.....	left	3698605	1	5.57
49-52	PASS.....	right	3698606	1	5.57



53	PASS.	left	3697341	1	5.57
53	PASS.	right	3697342	1	5.57
53	PASS.	center	3697345	1	4.75
54	PASS.	front	3704887	1	4.75
54	DUBL-DUTI	front	3701353	1	13.50
54	UTILITY	front (dev. length 24 $\frac{1}{2}$ )	3700500	1	13.90

\*NOTE: On 1949 models, drill two  $\frac{1}{16}$ " holes for 1949 License Plate Guard.

†Also listed in rear bumper section of this group.

### REAR

NOTE: (front) shown in column at right indicates part is also used as Front Bumper Face Bar.

37	GA (BUS, CPE., TRUNK jobs)	(63 $\frac{1}{2}$ long)	594528	1	(front)
36-37	FC, GB (BUS, CPE., TRUNK)	(62 $\frac{1}{2}$ long)	594648†	1	(front)
38-39	HA, HB, JA, JB (CPE., TRUNK); HC, HD, HE, IC, ID, IE (CAB),				
40	K (exc. STA. WAG., SDL, PANEL, SUB.),				
41	PASS. (exc. SDL, STA. WAG.)		3847305	1	(front)
38-39	HA (SED., COA., S, CPE.); HB (SED., COA., CONV.); JA, JB (SED., COA.)		597868	1	7.17
41-46	COMM. (PANEL, SUB. w/doors)		3681712	1	10.88
41-42	COMM. (exc. PICK-UP, PLATFORM),				
46	CK, DP, DR (exc. PAN., SUB. w/drs., PLATFORM),				
46	DS (CAN. EXP.),				
46	OR, PJ (PANEL)		3656464	1	(front)
42	PASS. (exc. STA. WAG.)		3663767	1	9.60
46-48	PASS. (exc. SDL, STA. WAG.)		3681220	1	12.85
46-48	SDL		3681991	1	11.66
46-48	STA. WAG.	rear, L.H.	3682013	1	7.58
46-48	STA. WAG.	rear, R.H.	3682014	1	7.58
47-48	$\frac{1}{2}$ , $\frac{3}{4}$ TON (exc. PICK-UP, PLTFM.),				
49-54	$\frac{1}{2}$ TON (SGL. UNIT)	(primed)	3700438	1	(front)
47	EP, ER (PICK-UP),				
48-54	$\frac{1}{2}$ , $\frac{3}{4}$ TON (exc. SGL. UNIT, PLTFM.)	(primed)	3700469	1	9.55
47-54	1 TON (SGL. UNIT)	(primed)	3700437	1	(front)
49-52	PASS.	center	3698600	1	5.02
49-52	PASS.	left	3698601	1	5.57
49-52	PASS.	right	3698602	1	5.57
53-54	PASS.	left	3697343	1	5.57
53-54	PASS.	right	3697344	1	5.57
53-54	PASS. (exc. SDL, STA. WAG.)	center	3697689	1	4.95
53-54	SDL, STA. WAG.	center	3697690	1	9.50
54	COMM. (PICK-UP)	rear	3705437	1	13.25

†NOTE: On FC jobs use 594205 bolt and 120370 nut to plug center hole.

### END, Bumper Face

54	PASS.	front, L.	3704831	1	5.50
54	PASS.	front, R.	3704832	1	5.50

### 7.833 DEFLECTOR—SUPPORT—BUMPER—SEAL, Rear Bumper

38-39	T. SED., S. SED., BUS. CPE.		598013	1	1.62
40	PASS. (exc. STA. WAG., SDL.)		3654479	1	2.23
41-42	CPE., CONV., SED.		3658358	1	4.12
41-42	SDL		3658943	1	3.80
46-48	PASS. (exc. STA. WAG., SDL.)		3681679	1	4.15
46-48	SDL		3681947	1	3.85
47-54	COMM. (SGL. UNIT)		3690257	1	2.63
49-50	PASS. (exc. STA. WAG.),				
51-52	SDL		3688583	1	3.03
49-52	STA. WAG.		3689015	1	2.90
51-52	PASS. (exc. STA. WAG., SDL.)		3695903	1	3.02
53-54	PASS. (exc. STA. WAG., SDL.)		3702008	1	2.92
53-54	STA. WAG.		3702010	1	4.75
53-54	SDL		3702009	1	4.90
47-54	COMM. (SGL. UNIT)	SUPPORT, L.H., deflector outer	3807061	1	.33
47-54	COMM. (SGL. UNIT)	SUPPORT, R.H., deflector outer	3807062	1	.33
47-54	COMM. (SGL. UNIT)	SUPPORT, deflector inner	3808229	2	.55

41-48	PASS. (exc. STA. WAG.)	BUMPER, deflector rubber	3664645	6	(8.024)
42-54	PASS. (exc. STA. WAG., SDL.)	BUMPER, deflector rubber	3700014	2	(1.286)
41-48	PASS. (exc. STA. WAG.)	SEAL, rubber	3660389	1	.71
49-52	PASS.	SEAL, rubber (68 $\frac{1}{2}$ O.L.)	3695726	1	.88
53-54	PASS.	SEAL, rubber (79 O.L.)	3705106	1	.90

**7.836 BAR, Frame to Bumper Attaching**

**FRONT**

36	FC		475810	2	2.35
37	GB (exc. CONV.)	right (complete)	594456	1	3.62
37	COMM.		594711	2	3.17
37-40	UTILITY (exc. COE)		350623	2	3.46
37	GA	outer, left	594529	1	1.83
37	GA	outer, right	594530	1	1.83
37	GA	inner, left	594531	1	1.68
37	GA	inner, right	594532	1	1.68
38	PASS.	inner, right	597884	1	1.68
39	PASS.	inner, left	350509	1	1.68
39	PASS.	inner, right	350510	1	1.68
39	PASS.	outer, left	350511	1	1.83
39	PASS.	outer, right	350512	1	1.83
38-39	COMM.		350590	2	3.46
39-40	COE	long	3651230	1	4.80
40	PASS.	inner, left	3653341	1	1.68
40	PASS.	inner, right	3653342	1	1.68
40	PASS.	outer, left	3653343	1	1.83
40	PASS.	outer, right	3653344	1	1.83
40	COMM.		3653681	2	3.46
41	PASS.	outer, left	3658307	1	1.83
41	PASS.	outer, right	3658308	1	1.83
41	PASS.	inner, left	607887	1	1.83
41	PASS.	inner, right	607888	1	1.83
41-46	COMM. (exc. AN, BN, DS)	outer, left	3658053	1	1.82
41-46	COMM. (exc. AN, BN, DS)	outer, right	3658054	1	1.82
41-46	COMM. (exc. AN, BN, DS)	inner, left	3658013	1	1.49
41-46	COMM. (exc. AN, BN, DS)	inner, right	3658014	1	1.49
41-42	COMM., UTILITY (exc. COE), DS, OR, PJ	outer (used w/4 $\frac{3}{4}$ bumper)	3656466	2	2.37
46	DS, OR, PJ	inner (used w/4 $\frac{3}{4}$ bumper)	3656465	2	1.49
41-42	COE	inner (used w/4 $\frac{3}{4}$ bumper)	3658916	2	2.95
42	PASS.	inner, left	3663887	1	1.83
42	PASS.	inner, right	3663888	1	1.83
42	PASS.	outer, left	3663889	1	1.83
42	PASS.	outer, right	3663890	1	1.83
42-46	UTILITY, DS (exc. SGL. UNIT)	inner, left (used w/6 $\frac{3}{4}$ bumper)	3666227	1	1.49
42-46	UTILITY, DS (exc. SGL. UNIT)	inner, right (used w/6 $\frac{3}{4}$ bumper)	3666228	1	1.49
42-46	UTILITY, DS (exc. SGL. UNIT)	outer, left (used w/6 $\frac{3}{4}$ bumper)	3666235	1	2.15
42-46	UTILITY, DS (exc. SGL. UNIT)	outer, right (used w/6 $\frac{3}{4}$ bumper)	3666236	1	2.15
46-48	PASS.	inner, left	3681253	1	1.51
46-48	PASS.	inner, right	3681254	1	1.51
46-48	PASS.	outer, left	3681255	1	1.83
46-48	PASS.	outer, right	3681256	1	1.83
47-53	$\frac{1}{2}$ , $\frac{3}{4}$ TON (exc. D-D)	inner, left	3683663	1	1.74
47-53	$\frac{1}{2}$ , $\frac{3}{4}$ TON (exc. D-D)	inner, right	3683664	1	1.74
47-53	$\frac{1}{2}$ , $\frac{3}{4}$ TON (exc. D-D)	outer, left	3683665	1	2.00
47-53	$\frac{1}{2}$ , $\frac{3}{4}$ TON (exc. D-D)	outer, right	3683666	1	2.00
47-54	1 TON, DUBL-DUTI		3683342	1	4.68
46-54	UTIL. (exc. COE)	outer	3683314	2	2.58
47-54	COE	outer	3684837	2	2.58
49-52	PASS.	inner, left	3688285	1	1.52
49-52	PASS.	inner, right	3688286	1	1.52
49-52	PASS.	outer, left	3692451	1	1.78
49-52	PASS.	outer, right	3692452	1	1.78
49-52	PASS.	intermediate, left	3689379	1	1.51
49-52	PASS.	intermediate, right	3689380	1	1.51
53-54	PASS.	inner, left (22 $\frac{17}{32}$ dev. length)	3697693	1	1.52
53-54	PASS.	inner, right (22 $\frac{17}{32}$ dev. length)	3697694	1	1.52

53	PASS.	outer, left (31 1/8 dev. length)	3697695	1	1.78
53	PASS.	outer, right (31 1/8 dev. length)	3697696	1	1.78
53	PASS.	inter., left (23 3/4 dev. length)	3697697	1	1.51
53	PASS.	inter., right (23 3/4 dev. length)	3697698	1	1.51
54	PASS.	inter., left (dev. length 25 1/2)	3704565	1	1.50
54	PASS.	inter., right (dev. length 25 1/2)	3704566	1	1.50
54	PASS.	outer, left (1 slot—2 holes 3/8 dia.)	3704567	1	1.35
54	PASS.	outer, right (1 slot—2 holes 3/8 dia.)	3704568	1	1.35
54	1/2, 3/4 TON (exc. D-D)	inner, left (dev. length 22 1/2)	3701949	1	1.75
54	1/2, 3/4 TON (exc. D-D)	inner, right (dev. length 22 1/2)	3701950	1	1.75
54	1/2, 3/4 TON (exc. D-D)	outer, left (dev. length 30 3/8)	3701951	1	1.95
54	1/2, 3/4 TON (exc. D-D)	outer, right (dev. length 30 3/8)	3701952	1	1.95

### REAR

NOTE: See Group 7.869 for Rear Face Bar Attaching Bracket, Brace, Support.

35-36	EA, ED, FA, FD	left	474761	1	1.95
35-36	EA, ED, FA, FD	right	474762	1	1.95
38-39	PASS. (exc. SDL)	inner, right	597858	1	1.74
38-39	PASS.	outer, right	597862	1	1.55
38-39	COMM. (CABS)		597872	2	1.91
38-39	COMM. (SGL. UNIT)		597873	2	1.91
40	PASS. (exc. STA. WAG.)	inner, left	3653347	1	1.74
40	PASS. (exc. STA. WAG.)	inner, right	3653348	1	1.74
40	PASS. (exc. STA. WAG.)	outer, left	3653349	1	1.55
40	PASS. (exc. STA. WAG.)	outer, right	3653350	1	1.55
40	COMM. (exc. PLTFM.)		3653682	2	2.23
41-42	CPE, CONV., SED., SDL	outer, left	3658335	1	1.38
41-42	CPE, CONV., SED., SDL	outer, right	3658336	1	1.38
41-42	CPE, CONV., SEDAN	inner, left	3658333	1	1.34
41-42	CPE, CONV., SEDAN	inner, right	3658334	1	1.34
46-48	PASS. (exc. SDL, STA. WAG.)	inner, left	3681297	1	1.46
46-48	PASS. (exc. SDL, STA. WAG.)	inner, right	3681298	1	1.46
46-48	PASS. (exc. STA. WAG.)	outer, left	3681299	1	1.51
46-48	PASS. (exc. STA. WAG.)	outer, right	3681300	1	1.51
46-48	SDL	inner, left	3682009	1	1.34
46-48	SDL	inner, right	3682010	1	1.34
46-48	STA. WAG.	inner, left	3682011	1	1.54
46-48	STA. WAG.	inner, right	3682012	1	1.54
46-48	STA. WAG.	outer, left	3682015	1	1.54
46-48	STA. WAG.	outer, right	3682016	1	1.54
47	1/2 TON (PICK-UP)				
48-53	1/2 TON (exc. SGL. UNIT)	inner, left	3684827	1	1.74
47	1/2 TON (PICK-UP)				
48-53	1/2 TON (exc. SGL. UNIT)	inner, right	3684828	1	1.74
47	1/2 TON (PICK-UP)				
48-53	1/2 TON (exc. SGL. UNIT)	outer, left	3684829	1	1.62
47	1/2 TON (PICK-UP)				
48-53	1/2 TON (exc. SGL. UNIT)	outer, right	3684830	1	1.62
47	1/2 TON (exc. PICK-UP)				
48-54	1/2 TON (SGL. UNIT)	inner, left	3684727	1	1.74
47	1/2 TON (exc. PICK-UP)				
48-54	1/2 TON (SGL. UNIT)	inner, right	3684728	1	1.74
47	1/2 TON (exc. PICK-UP)				
48-54	1/2 TON (SGL. UNIT)	outer, left	3684729	1	1.62
47	1/2 TON (exc. PICK-UP)				
48-54	1/2 TON (SGL. UNIT)	outer, right	3684730	1	1.62
47	3/4 TON (PICK-UP)				
48-53	3/4 TON (exc. PLTFM.)	inner, left	3684833	1	1.74
47	3/4 TON (PICK-UP)				
48-53	3/4 TON (exc. PLTFM.)	inner, right	3684834	1	1.74
47	3/4 TON (PICK-UP)				
48-53	3/4 TON (exc. PLTFM.)	outer, left	3684835	1	1.74
47	3/4 TON (PICK-UP)				
48-53	3/4 TON (exc. PLTFM.)	outer, right	3684836	1	1.74
47	3/4 TON (exc. PICK-UP, PLTFM.)				
47-54	1 TON (SGL. UNIT)	inner, left	3684733	1	1.74
47	3/4 TON (exc. PICK-UP, PLTFM.)				
47-54	1 TON (SGL. UNIT)	inner, right	3684734	1	1.74

47	¼ TON (exc. PICK-UP, PLTFM.)				
47-54	1 TON (SGL. UNIT)	outer, left	3684735	1	1.74
47	¾ TON (exc. PICK-UP, PLTFM.)				
47-54	1 TON (SGL. UNIT)	outer, right	3684736	1	1.74
49-50	PASS. (exc. STA. WAG.)				
51-52	SDL	inner, left	3688291	1	1.83
49-50	PASS. (exc. STA. WAG.)				
51-52	SDL	inner, right	3688292	1	1.83
49-50	PASS. (exc. STA. WAG.)				
51-52	SDL	outer, left	3688293	1	1.11
49-50	PASS. (exc. STA. WAG.)				
51-52	SDL	outer, right	3688294	1	1.11
49-52	STA. WAG.	front inner, left	3688443	1	1.95
49-52	STA. WAG.	front inner, right	3688444	1	1.95
49-52	STA. WAG.	front outer, left	3688445	1	1.23
49-52	STA. WAG.	front outer, right	3688446	1	1.23
51-52	PASS. (exc. SDL, STA. WAG.)	inner, left	3695019	1	1.83
51-52	PASS. (exc. SDL, STA. WAG.)	inner, right	3695020	1	1.83
51-52	PASS. (exc. SDL, STA. WAG.)	outer, left	3695021	1	1.11
51-52	PASS. (exc. SDL, STA. WAG.)	outer, right	3695022	1	1.11
53-54	PASS. (exc. STA. WAG.)	inner, left (38 dev. length)	3697987	1	1.83
53-54	PASS. (exc. STA. WAG.)	inner, right (38 dev. length)	3697988	1	1.83
53-54	PASS. (exc. STA. WAG.)	outer, left (18¾ dev. length)	3697911	1	1.11
53-54	PASS. (exc. STA. WAG.)	outer, right (18¾ dev. length)	3697912	1	1.11
53-54	STA. WAG.	inner, left (42 dev. length)	3697991	1	1.83
53-54	STA. WAG.	inner, right (42 dev. length)	3697992	1	1.83
53-54	STA. WAG.	outer, left (21½ dev. length)	3697993	1	1.11
53-54	STA. WAG.	outer, right (21½ dev. length)	3697994	1	1.11
54	½ TON (exc. SGL. UNIT)	inner, left (2 holes 1⅞ dia. off center) (dev. length 24⅞)	3705587	1	1.75
54	½ TON (exc. SGL. UNIT)	inner, right (2 holes 1⅞ dia. off center) (dev. length 24⅞)	3705588	1	1.75
54	½ TON (exc. SGL. UNIT)	outer, left (2 holes 1⅞ dia. off center) (dev. length 21⅞)	3705589	1	1.65
54	½ TON (exc. SGL. UNIT)	outer, right (2 holes 1⅞ dia. off center) (dev. length 21⅞)	3705590	1	1.65
54	¾ TON (exc. PLTFM.)				
54	1 TON (PICK-UP)	inner, left (2 holes 1⅞ dia. off center) (dev. length 21⅞)	3705593	1	1.75
54	¾ TON (exc. PLTFM.)				
54	1 TON (PICK-UP)	inner, right (2 holes 1⅞ dia. off center) (dev. length 21⅞)	3705594	1	1.75
54	¾ TON (exc. PLTFM.)				
54	1 TON (PICK-UP)	outer, left (2 holes 1⅞ dia. off center) (dev. length 24½)	3705595	1	1.75
54	¾ TON (exc. PLTFM.)				
54	1 TON (PICK-UP)	outer, right (2 holes 1⅞ dia. off center) (dev. length 24½)	3705596	1	1.75

### 7.865 PAD, Bumper

49-52	PASS.	rear, inner bar to qtr. panel (rubbar)	3688663	2	.17
-------	-------	--	---------	---	-----

### 7.869 BRACKET—BRACE—SUPPORT, Frame to Rear Bumper Intermediate

37-46	½ TON (SGL. UNIT)	frame to support (long)	595579	2	1.29
37-46	½ TON (SGL. UNIT)	frame to long bracket (short)	595580	2	.89
37-46	¾ TON, GE, HE (CAB, PICK-UP)	frame to support, left	3651617	1	1.22
37-46	¾ TON, GE, HE (CAB, PICK-UP)	frame to support, right	3651618	1	1.22
37-46	¾ TON, GE, HE (PANEL)	frame to support, left	597317	1	1.37
37-46	¾ TON, GE, HE (PANEL)	frame to support, right	597318	1	1.37
39-46	½ TON (CAB)	frame to support, lower	599382	2	.78
39-46	½ TON (CAB)	frame to support, upper	599384	2	.78
40-46	1 TON (SGL. UNIT)	frame to support, left	3655815	1	1.58
40-46	1 TON (SGL. UNIT)	frame to support, right	3655816	1	1.58
47-54	D-D, 1 TON	frame to supt., left (frt. bpr.)	3683399	1	2.48
47-54	D-D, 1 TON	frame to supt., right (frt. bpr.)	3683400	1	2.48



54	PASS.....	assy., bumper, front left.....	3708987	1	1.93
54	PASS.....	assy., bumper, front right.....	3708988	1	1.95
46	DS, PJ (PANEL).....	BRACE, frame to bracket, left.....	3681731	1	.94
46	DS, PJ (PANEL).....	BRACE, frame to bracket, right.....	3681732	1	.94
41-42	COMM. (exc. AN),				
46	CK, DP, DR (exc. PANEL),				
46	DS (CAN. EXP.),				
46	PJ (PANEL).....	SUPPORT, rear face bar.....	3658094	2	1.15
41	AN (PANEL),				
41-42	COMM. (SGL. UNIT) (exc. AN),				
46	CK, DP (CAB, PANEL, SUB.),				
46	DR, DS (PANEL).....	SUPPORT, rear face bar.....	3658095	2	1.62

**7.874 BOLT, Front or Rear Bumper Bar**

36-40	FB, FC, R, GB (exc. CONV.), GC, GD, GE, S, T, VA, VB, VC, VD, WA, WB, WC..	( $\frac{3}{16}$ -20 x $1\frac{1}{4}$ ).....	594205	A.R.	.18
37	COMM.....	( $\frac{3}{16}$ -20 x 1).....	594202	A.R.	.12
37-54	PASS., $\frac{1}{2}$ TON,	front and rear,			
46-54	$\frac{3}{4}$ , 1 TON.....	front ( $\frac{1}{2}$ -13 x $1\frac{3}{16}$ ).....	3695906	A.R.	.22
47-48	UTILITY.....				

**~ BLANK PAGE ~**

**~ BLANK PAGE ~**

# CHEVROLET MASTER PARTS CATALOG

YEAR	MODEL	PART NAME	PART NO.	NO. USED	LIST PRICE
<b>8.000 PANEL, Hood Top</b>					
39	PASS.	left (w/side panel—less handle)	603359	1	14.89
39	PASS.	right (w/side panel—less handle)	603360	1	14.89
39-40	COMM., UTIL. (exc. COE)	left (w/side panel—less handle)	603363	1	14.34
39-40	COMM., UTIL. (exc. COE)	right (w/side panel—less handle)	603364	1	14.34
40	PASS.	left	3653889	1	12.72
40	PASS.	right	3653890	1	12.72
41	PASS.	left	3658153	1	12.72
41	PASS.	right	3658154	1	12.72
41-46	COMM., UTIL. (exc. COE)	left (w/side panel—less handle)	605189	1	14.34
41-46	COMM., UTIL. (exc. COE)	right (w/side panel—less handle)	605190	1	14.34
42-48	PASS.	left	3684111	1	14.82
42-48	PASS.	right	3684112	1	14.82
47-53	COMM.	left	3682615	1	14.57
47-53	COMM.	right	3682616	1	14.57
47-53	UTILITY (exc. COE)	left	3682547	1	14.57
47-53	UTILITY (exc. COE)	right	3682548	1	14.57
47-53	COE		3676235	1	26.82
49-52	PASS.	left	3699625	1	14.88
49-52	PASS.	right	3699626	1	14.88
53	PASS.	left	3705147	1	14.85
53	PASS.	right	3705148	1	14.85
54	PASS.	left	3705345	1	14.85
54	PASS.	right	3705346	1	14.85
54	COMM.	left	3701465	1	14.75
54	COMM.	right	3701466	1	14.75
54	UTILITY (exc. COE)	left	3701401	1	14.57
54	UTILITY (exc. COE)	right	3701402	1	14.57
54	COE		3700243	1	26.85

## 8.001 PANEL, Hood Side

NOTE: Refer to group 8.153 for front fender extensions or filler-panels used between front fender and hood.

38	PASS.	left	602973	1	8.12
40	PASS.	left	604445	1	5.08
40	PASS.	right	604446	1	5.08

## 8.005 MOULDING—COVER—FASTENER, Hood Lower



3657267



3657268



595593

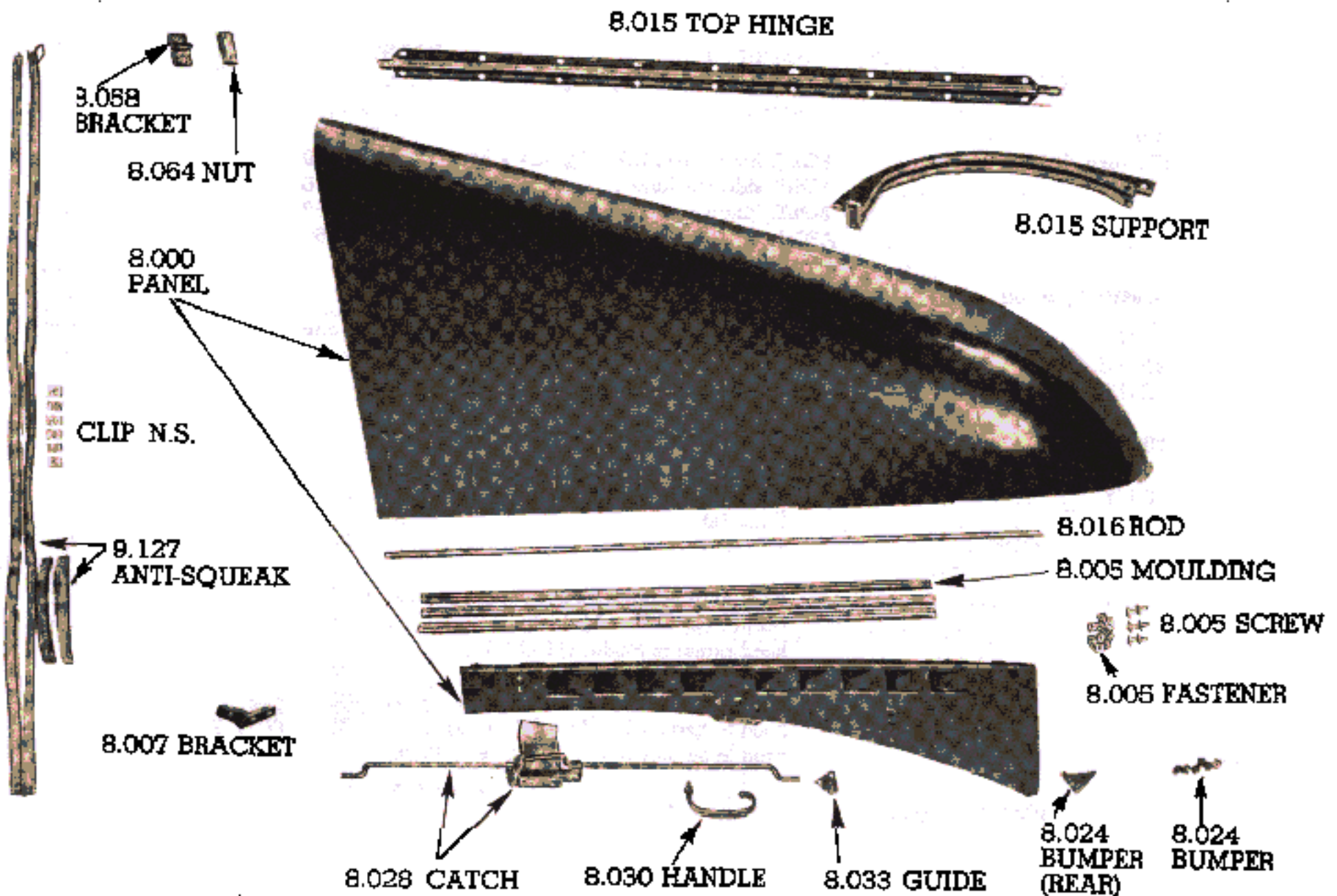


360938

37	PASS.	( $\frac{3}{8} \times \frac{3}{16} \times 2\frac{3}{16}$ )	595209	2	.77
38	PASS.	upper or lower	597516	4	1.10
38	HE	center	597557	2	1.27
39	PASS.		3653276	8	1.33
41-46	COMM., UTIL. (exc. COE)	left	3657265	3	1.05
41-46	COMM., UTIL. (exc. COE)	right	3657266	3	1.05
40	KA	COVER, left	3653857	1	6.58
40	KA	COVER, right	3653858	1	6.58
41	AH	COVER, left	3658259	1	6.58
41	AH	COVER, right	3658260	1	6.58
42	PASS.	COVER, left	3665177	1	7.57
42	PASS.	COVER, right	3665178	1	7.57
46	PASS.	COVER, left	3681485	1	7.47
46	PASS.	COVER, right	3681486	1	7.47
37	PASS.	FASTENER, lower moulding (push-in)	595593	10	20/.50

39	PASS.	FASTENER, moulding	350538	32	.02
41-46	COMM., UTIL. (exc. COE)	FASTENER, moulding	3657268	18	.02
41-46	COMM., UTIL. (exc. COE)	SCREW, moulding	3657267	8	.02
<b>8.007 BRACKET, Hood Catch (front and rear)</b>					
41-46	COMM., UTIL. (exc. COE)	left, front	3657663	1	.20
41-46	COMM., UTIL. (exc. COE)	right, front	3657664	1	.20
41-46	COMM., UTIL. (exc. COE)	left, rear	3657675	1	.20
41-46	COMM., UTIL. (exc. COE)	right, rear	3657676	1	.20
47-54	COE	left	3686305	1	.58
47-54	COE	right	3686306	1	.58
<b>8.009 PLATE, Hood Top Panel Rear Reinforcement Tie</b>					
42-48	PASS.		3667139	1	.42
47-54	COMM., UTIL. (exc. COE)		3682843	1	.42
49-54	PASS.		3688037	1	.42
42-46	PASS.				
47-54	ALL	PAD, reinforcement rubber (10 x 1/4 x 1/8)	3664766	2	.20
<b>8.010 BAFFLE—SEAL, Hood Panel</b>					
41	PASS.		3659188	1	.91
49-52	PASS.		3688476	1	2.95
53-54	PASS.		3701896	1	2.95
41	PASS.	SEAL (28 1/8 long)	3688784	A.R.	(8.154)
49-54	PASS.	SEAL (37 1/8 x 1 1/4 x 1/8 thick)	3688776	1	.32
<b>8.013 BRACKET—SPRING, Hood Support Rod and Hinge</b>					
42-48	PASS.	spring, left	3664013	1	1.15
42-48	PASS.	spring, right	3664014	1	1.15
40-41	PASS.	SPRING	3659859	2	.33
42-48	PASS.	SPRING	3663756	2	.52
47-48	COMM., UTILITY (exc. COE)	SPRING	368244	1	(0.844)
47-54	COMM., UTILITY (exc. COE)	SPRING (flat coil type) (3 O.D. x 5/8 thick)	3686127	2	1.31
49-52	PASS.	SPRING	3689075	2	.85
53-54	PASS.	SPRING (23 coils)	3700259	2	.95
<b>8.018 HINGE—SUPPORT—LINK—REINFORCEMENT—ROD, Hood Panel</b>					
34-40	COMM., UTILITY (exc. COE)		372828	1	1.72
37	PASS.	top moulding and outer	594940	1	3.02
38	PASS.	top moulding and outer	597480	1	2.71
39	PASS.	outer	3650051	1	3.17
40	PASS.	left	3653437	1	.80
40	PASS.	right	3653438	1	.80
41	PASS.	left	3658313	1	.89
41	PASS.	right	3658314	1	.89
41-46	COMM., UTILITY (exc. COE)	top	3657264	1	1.72
42-48	PASS.	left	3689235	1	1.54
42-48	PASS.	right	3689236	1	1.54
47-54	COE	left (hood half)	3698529	1	1.52
47-54	COE	right (hood half)	3698530	1	1.52
47-53	COE	left (body half)	3686375	1	1.12
47-53	COE	right (body half)	3686376	1	1.12
47-54	COMM., UTIL. (exc. COE)	left	3689239	1	1.17
47-54	COMM., UTIL. (exc. COE)	right	3689240	1	1.17
49-52	PASS.	left	3688409	1	1.86
49-52	PASS.	right	3688410	1	1.86
53-54	PASS.	left	3697373	1	1.86
53-54	PASS.	right	3697374	1	1.86
54	COE	left (body half)	3705501	1	1.35
54	COE	right (body half)	3705502	1	1.35
41-46	COMM., UTILITY (exc. COE)	SUPPORT, hinge front	3657250	1	1.72
47-54	COE	SUPPORT, hood panel (11 1/8 closed 17 3/4 open)	3686450	1	1.45
47-54	COMM., UTIL. (exc. COE)	LINK ASSY, hood rear supt. w/spg. L.H.	3686039	1	1.98
47-54	COMM., UTIL. (exc. COE)	LINK ASSY, hood rear supt. w/spg. R.H.	3686040	1	1.98
47-53	COE	REINFORCEMENT (body half hinge)	3686455	2	.17





### TRUCK HOOD PARTS

54	COE	REINFORCEMENT, left (body half)	3705505	1	.15
54	COE	REINFORCEMENT, right (body half)	3705506	1	.15
48-54	COMM.	ROD, brace, left (8 $\frac{3}{8}$ long—stmpd. L.)	3690093	1	.32
48-54	COMM.	ROD, brace, right (8 $\frac{3}{8}$ long—stmpd. R.)	3690094	1	.32
48-54	UTIL. (exc. COE)	ROD, brace, left (11 long—stmpd. L.)	3690095	1	.32
48-54	UTIL. (exc. COE)	ROD, brace, right (11 long—stmpd. R.)	3690096	1	.32

#### MOULDING, Hood Top-Side, Front

39	PASS.	outer hinge	350514	1	1.15
40	PASS.	front	3653839	1	.50
40	PASS.	rear	3653843	1	.83
41	AG	left side	3658197	1	2.11
41	AG	right side	3658198	1	2.11
41	PASS.	top rear	3658205	1	1.45
41	PASS.	top front	3658400	1	.50
41	PASS.	front (above name plate)	3658509	1	1.28
42	PASS.	top	3664850	1	1.94
42-48	PASS.	top front	3664608	1	.66
46	PASS.	top rear	3681738	1	1.94
47-48	PASS.	top rear	3684363	1	1.69
47-54	COMM.	top	3681480	1	1.85
47-54	UTILITY (exc. COE)	top	3681600	1	1.85
47-54	COE	top	3686167	1	1.40
49-52	PASS.	top front	3688255	1	.72
49-54	PASS.	top rear (30 long)	3701990*	1	.72
53-54	PASS.	top front	3701989	1	.38

\*NOTE: On 1949-52 models cut 3 in. from front end.

**8.016 ATTACHING PARTS, Hood Moulding and Hinge**

36	F, R.				
39	PASS.				
39-42	COMM., UTIL. (exc. COE)	ROD, hinge ( $\frac{3}{16}$ x $45\frac{1}{4}$ long)	496125	2	.35
40-48	PASS.				
47	ALL (exc. COE)				
48-54	COMM., UTIL. (exc. COE)	BOLT, hinge cowl brkt. ( $\frac{3}{16}$ —24 x $\frac{3}{4}$ )	3689234	4	.08
41	AG	BOLT, side moulding	3658139	2	.08
49-54	PASS.	BOLT, hinge cowl brkt. ( $\frac{3}{16}$ —24 x $\frac{3}{8}$ )	3688414	4	.08
47-54	COE	PIN, hood hinge ( $\frac{5}{16}$ dia. x 1)	4150404	2	.17

**8.024 BUMPER, Hood**

37	COMM., UTILITY	hood to radiator ( $\frac{5}{8}$ spherical head)	595304	6	.08
37-38	ALL (exc. GA, GB)	hood to radiator ( $\frac{1}{2}$ dia. head)	3690186	4	.07
37-38	COMM., UTILITY	side panel triangular	595329	2	.20
40	PASS.				
41-46	COMM., UTIL. (exc. COE)	rubber ( $\frac{3}{16}$ O.D. x $\frac{3}{16}$ thick)	3681093	6 (16.058)	
41-48	PASS.				
47-54	COMM., UTILITY	small (head— $\frac{3}{4}$ diameter x $\frac{1}{2}$ thick)	3664645	A.R.	.07
47-54	COE	( $\frac{5}{8}$ x $\frac{7}{8}$ )	4114321	6 (12.212)	
39-46	COMM., UTILITY (exc. COE)	side rear	3657602	2	.20
37-39	PASS.				
38-46	COMM., UTILITY	hood to front fender extension	3684752	2 (16.400)	
47-54	ALL	rubber ( $\frac{3}{4}$ O.D. x $\frac{3}{4}$ thick)	3676360	A.R.	.08
49-54	PASS.	hood panel to fender ( $\frac{5}{8}$ O.D.)	3688811	8	.08
49-54	PASS.	hood panel to cowl ( $\frac{1}{8}$ O.D.)	3689034	2	.08
49-51	PASS.	hood panel to header bar, ctr. ( $\frac{3}{16}$ high)	3689084	2	.07
40-52	PASS.	hood to header bar (head $\frac{3}{4}$ x $\frac{5}{16}$ )	3690047	A.R.	.07
53-54	PASS.	hood to header bar ( $1\frac{1}{8}$ O.D. x $\frac{1}{16}$ thick)	3704156	2	.07

**8.028 CATCH ASSEMBLY, Hood**

39-40	COMM., UTIL. (exc. COE)	left	3650433	1	.89
39-40	COMM., UTIL. (exc. COE)	right	3650434	1	.89
41-46	COMM., UTIL. (exc. COE)	left	3657673	1	.89
41-46	COMM., UTIL. (exc. COE)	right	3657674	1	.89
47-54	COE	left	3686301	1	1.58
47-54	COE	right	3686302	1	1.58

**8.030 HANDLE, Hood Catch**

37-38	PASS.				
39-46	COMM., UTIL.		597521	2	.47

**8.033 GUIDE, Hood Catch Rod**

41-46	COMM., UTIL. (exc. COE)		3657665	4	.08
-------	-------------------------	--	---------	---	-----

**8.035 PLATE, Hood Side Name**

40	KB		3653874	2	.37
42	BH	left	3664183	1	1.12
42	BH	right	3664184	1	1.12
46	DJ	(STYLEMASTER)	3681489	2	.80
46	DK (exc. FLTLN.)	(FLEETMASTER)	3681490	2	.80
46	FLEETLINE	(FLEETLINE)	3681878	2	.80
47-48	EJ, FJ	(STYLEMASTER) left	3684199	1	2.25
47-48	EJ, FJ	(STYLEMASTER) right	3684200	1	2.25
47-48	EK, FK (exc. FLTLN.)	(FLEETMASTER) right	3684204	1	2.25
47-48	FLEETLINE	(FLEETLINE) left	3684207	1	2.25
47-48	FLEETLINE	(FLEETLINE) right	3684208	1	2.25
47-52	COMM., UTILITY	(CHEVROLET)	3699024	2	1.69
49-51	$\frac{1}{2}$ TON	(3100)	3692106	2	.55
49-51	$\frac{3}{4}$ TON	(3600)	3692107	2	.55
49-51	1 TON	(3800)	3692108	2	.55
49-51	SI, TI, UI	(4100)	3692109	2	.55
49-51	SK, TK, UK	(4400)	3692110	2	.55
49-54	$1\frac{1}{2}$ TON SBC	(4500)	3700215	2	.90
49-51	SP, TP, UP	(5100)	3692112	2	.55

49-54	SR, TR, UR, T.....	(5400).....	3700217	2	.90
49-53	SS, TS, US, U.....	(5700).....	3700218	2	.90
49-51	SV, TV, UV.....	(6100).....	3692115	2	.55
49-51	SW, TW, UW.....	(6400).....	3692116	2	.55
49-54	SX, TX, UX, Y.....	(6700).....	3700222	2	.90
50-51	TY, UY.....	(6500).....	3695561	2	.55
53-54	½ TON.....	(3100).....	3700202	2	.90
53-54	¼ TON.....	(3600).....	3700203	2	.90
53-54	1 TON.....	(3800).....	3700204	2	.90
53-54	N.....	(4100).....	3700213	2	.90
53-54	P.....	(4400).....	3700214	2	.90
53-54	V.....	(6100).....	3700219	2	.90
53-54	W.....	(6400).....	3700220	2	.90
53-54	X.....	(6500).....	3700221	2	.90
53-54	Z.....	(6800).....	3701464	2	.90
53-54	S.....	(5100).....	3700216	2	.90

**8.049 NUT, Hood Name Plate Attaching**

39	PASS.,				
47-54	COMM., UTILITY.....	speed (3/16 rod).....	3695282	4	.02
47-48	PASS.....	hex (10—24).....	120361	4	(8.915)

**8.055 EMBLEM—ORNAMENT—MOULDING, Hood (front) (see group 1.303 for radiator name plate, and 1.268 for moulding with name)**

40	PASS.....		3653871	1	.82
42	PASS.....		3664615	1	1.68
46	PASS.....		3681683	1	1.69
47-53	COMM. (exc. D-D).....	(CHEVROLET).....	3699021	1	4.45
47-53	D-D, UTIL. (exc. COE).....	(CHEVROLET).....	3699070	1	2.80
47-53	COE.....	(CHEVROLET).....	3699022	1	4.90
47-48	PASS.....		3687428	1	1.68
49-50	PASS.....		3693312	1	1.69
51	PASS.....		3699032	1	1.82
52	PASS.....	(CHEVROLET).....	3699646	1	2.95
53	PASS.....	(CHEVROLET).....	3702726	1	3.95
54	PASS.....		3705033	1	2.50
54	COMM. (exc. D-D).....		3710929	1	3.50
54	D-D, UTIL. (exc. COE).....		3710933	1	3.85
54	COE.....		3701324	1	3.85
38	COMM., UTILITY.....	ORNAMENT (production).....	598015	1	4.50
39-40	COMM., UTILITY (exc. COE).....	ORNAMENT (production).....	350805	1	5.07
40	PASS.....	ORNAMENT (production).....	3654004	1	3.52
41	PASS.....	ORNAMENT (production).....	3658147	1	4.00
42	PASS.....	ORNAMENT (production).....	3664871	1	3.52
46	PASS.....	ORNAMENT (production).....	3681650	1	4.27
46	PASS.....	ORNAMENT, less plastic insert (accessory).....	609591	1	6.80
47-48	PASS.....	ORNAMENT (production).....	3684376	1	4.07
49-50	PASS.....	ORNAMENT (production).....	3688253	1	4.07
51	PASS.....	ORNAMENT (production).....	3699033	1	5.00
52	PASS.....	ORNAMENT (production).....	3699491	1	5.32
53	PASS.....	ORNAMENT (production).....	3701529	1	4.25
53	PASS.....	ORNAMENT (accessory).....	986785f	1	
54	PASS.....	ORNAMENT (production).....	3705035	1	4.75
54	COMM., UTIL. (exc. COE).....	ORNAMENT (accessory).....	986982	1	7.95
46	PASS.....	INSERT (plastic).....	609582	1	3.40
47-48	PASS.....	INSERT (plastic).....	3847124	1	2.88
40	PASS.....	MOULDING, left.....	3653985	1	.68
40	PASS.....	MOULDING, right.....	3653986	1	.68
46-48	PASS.....	NUT, speed.....	609583	1	.06
46-48	PASS.....	NUT, speed (3/16 rod—angle mtg.).....	3682023	4	(1.307)
49-50	PASS.....	NUT, speed (3/16 rod).....	3695282	4	(8.040)

†NOTE: Closeout price applies. See Dealer P & A Price Schedule.

**8.056 FASTENER, Hood Top Moulding**

40	PASS.....		3653709	2	.02
40	PASS.....	rear, moulding front.....	3653728	3	.02
40	PASS.....	rear, moulding rear.....	3653809	1	.02
41-48	PASS.....	front, moulding (twist).....	3658783	3	.02

41	PASS.	lower, moulding	3657798	18	.02
49-52	PASS.		3688261	7	.02
53-54	PASS.	front (twist) (1 $\frac{3}{8}$ O.L.)	3701992	3	.02
53-54	PASS.	rear (twist) ( $\frac{3}{8}$ O.L.)	3700176	1	.02
53-54	PASS.	rear (twist) (1 $\frac{1}{2}$ O.L.)	3701991	3	.02

### 8.058 BRACKET, Hood Support and Dash Hinge Rod

33-34	CA, DA,				
34-46	COMM., UTIL. (exc. COE)	hood hinge rod	473987	1	.13

### 8.064 NUT, Hood Hinge Rod Bracket

34-35	PASS.,				
36-39	COMM., UTILITY,				
40-46	COMM., UTIL. (exc. COE)	dash bracket anchor (No. 12-24)	496133	1	.27

### 8.075 ROD, Hood Catch Control w/Tube

40-49	PASS.		3664667f	1	1.10
-------	-------	--	----------	---	------

†NOTE: On 1940 models cut off 1 $\frac{3}{8}$ , on 1941 cut 2 $\frac{3}{8}$  and on 1949 cut 3 $\frac{3}{8}$ .

### 8.077 BRACKET—GUIDE—CLIP, Hood Catch Control Rod Tube

40-49	PASS.	tube	3654573	1	.13
40-41	PASS.	rod front	3654294	1	.08
42-48	PASS.	rod front	3664740	1	.13
40-49	PASS.	GUIDE, rod wire	375437	1	(3.483)
41-48	PASS.	CLIP, rod tube	3658861	1	.02
42-49	PASS.	NUT, rod (attaching $\frac{1}{8}$ —24 x $\frac{5}{8}$ thick)	357899	1	(3.483)

### 8.080 PLATE ASSEMBLY, Hood Lower Catch

40	PASS.		3654099	1	1.17
41	PASS.		3658928	1	1.43
42-48	PASS.		3664616	1	1.02
47-53	COMM., UTIL. (exc. COE)		3682709	1	1.02
49-50	PASS.	(grille release)	3692800	1	2.23
51-52	PASS.		3695816	1	1.86
53-54	PASS.		3699310	1	1.86
54	COMM., UTIL. (exc. COE)		3701424	1	1.15

### 8.081 SPRING, Hood Lower Catch Plate

41-48	PASS.,				
47-54	COMM., UTIL. (exc. COE)	safety catch (flat)	3659288	1	.08
41-50	PASS.	(27 coils)	3658835*	1	.18
47-54	COMM., UTIL. (exc. COE)	(17 coils— $\frac{1}{2}$ O.D.)	3692104	1	.18
47-54	COE	left	3686393	1	.23
47-54	COE	right	3686394	1	.23
49-54	PASS.	release lever (20 coils)	3692164*	A.H.	.12
51-54	PASS.	(24 coils— $1\frac{1}{2}$ O.D.)	3695821	1	.18

\*NOTE: 3658835 must not be used in place of 3692164.

### 8.082 LATCH, Hood Catch Lock Plate

40	PASS.		3654048	1	.28
----	-------	--	---------	---	-----

### 8.083 PLATE ASSEMBLY, Hood Upper Catch

40	PASS.		3654098	1	1.43
41	PASS.		3658856	1	1.43
42-48	PASS.		3664720	1	2.17
47-54	COMM.		3684297	1	2.86
47-54	UTILITY (exc. COE)		3682707	1	2.86
49-52	PASS.		3699717	1	1.65
53-54	PASS.		3702012	1	1.65



**8.085 BOLT-SPRING-RETAINER-SCREW, Hood Upper Catch Plate**

40-46	PASS.				
47-54	ALL (exc. COE)	BOLT (1/2-20 x 3 3/8 O.L. w/1 13/16 thd. lgth.)	2227394	1	.32
40-54	PASS.	SPRING (coil)	3690914	1	.13
47-54	COMM., UTIL. (exc. COE)	SPRING (10 coils 1 1/2 O.D.)	3690742	1	.17
40-54	PASS.	RETAINER, bolt spring	3654458	1	.08
47-54	COMM., UTIL. (exc. COE)	RETAINER, bolt spring	3685641	1	.12
41-48	PASS.	RETAINER, lock plate	3658875	1	.20
47-54	COMM., UTIL. (exc. COE)	SCREW, attach. (1/4-20 x 5/8)	3693097	4	.03

**8.112 PAN, Engine**

40-48	PASS. (exc. KB, CONV.)	left, side	3653447	1	1.54
40-48	PASS. (exc. KB, CONV.)	right, side	3653448	1	1.54
37-46	1 TON, UTIL. (exc. COE)	right, side	3653674	1	1.54
37-46	1 TON, UTIL. (exc. COE)	left, side	3665133	1	1.54
47-51	1/2 TON, D-D	left, side	3684239	1	.69
47-51	1/2 TON, D-D	right, side	3684240	1	.69
47-51	COMM., UTIL. (exc. 1/2 TON, D-D)	right, side	3683670	1	.69

**8.128 BRACKET, Engine Side Pan, Front and Rear**

33	CA, CB				
34-46	COMM., UTILITY	left, front	375765	1	.13
37-46	COMM., UTILITY	left, rear	594369	1	.35

**8.130 FENDER, Front**

34	DA	left, less skirts	372873	1	18.14
34-35	DC, EC	left, less skirts	374087	1	18.14
34-35	DC, EC	right, less skirts	374088	1	18.14
35	EA	left, less skirts	377759	1	18.14
35	EA	right, less skirts	377760	1	18.14
36	FD, FC	left, less skirt	475071	1	19.49
36	FD, FC	right, less skirt	475072	1	19.49
36	FA	left, less skirt	475295	1	19.49
36	FA	right, less skirt	475296	1	19.49
37-38	COMM.	left, less skirts	594955	1	20.85
37-38	COMM.	right, less skirts	594956	1	20.85
37-38	UTILITY	left, less skirts	594963	1	20.85
37-38	UTILITY	right, less skirts	594964	1	20.85
37-38	PASS.	left, less skirts	602635	1	20.85
37-38	PASS.	right, less skirts	602636	1	20.85
39	PASS.	left, less skirts	350237	1	22.14
39	PASS.	right, less skirts	350238	1	22.14
39-40	IC, ID, IE, KC, KD, KE	left, less skirts	599991	1	22.14
39-40	IC, ID, IE, KC, KD, KE	right, less skirts	599992	1	22.14
39-40	V, KF, W (exc. COE)	left, less skirts	350363	1	22.14
39-40	V, KF, W (exc. COE)	right, less skirts	350364	1	22.14
39	COE	left	3650583	1	22.14
39	COE	right	3650584	1	22.14
40	PASS.	left, less skirts	3652971	1	22.14
40	PASS.	right, less skirts	3652972	1	22.14
40	COE	left, less skirts	3654809	1	22.14
40	COE	right, less skirts	3654810	1	22.14
41	PASS.	left, less skirts	605417	1	25.17
41	PASS.	right, less skirts	605418	1	25.17
41-42	Y, M (exc. COE) (heavy duty axle),				
46	OE, OF, PV, PW, PX	left, less skirts	3665273	1	24.37
41-42	Y, M (exc. COE) (heavy duty axle),				
46	OE, OF, PV, PW, PX	right, less skirts	3665274	1	24.37
41-46	COE	left, less skirts	3658063	1	22.14
41-46	COE	right, less skirts	3658064	1	22.14
41-46	AK, AL, AM, BK, BL, BM, CK, DP, DR	left, less skirts	3664961	1	23.82
41-46	AK, AL, AM, BK, BL, BM, CK, DP, DR	right, less skirts	3664962	1	23.82
42	PASS.	left, less skirts	3663309	1	24.37
42	PASS.	right, less skirts	3663310	1	24.37
46	PASS.	left	3681287	1	26.50
46	PASS.	right	3681288	1	26.50

41-46	AN, Y, BN, M, OR, OS, OW, DS, PJ, PK, PL (exc. YT, MT, COE) .....	left .....	3682055	1	25.75
41-46	AN, Y, BN, M, OR, OS, OW, DS, PJ, PK, PL (exc. YT, MT, COE) .....	right .....	3682056	1	25.75
47-48	PASS .....	left .....	3684117	1	26.50
47-48	PASS .....	right .....	3684118	1	26.50
47-53	COMM .....	left .....	3682657	1	25.75
47-53	COMM .....	right .....	3682658	1	25.75
47-53	UTILITY (exc. COE) .....	left .....	3682481	1	26.50
47-53	UTILITY (exc. COE) .....	right .....	3682482	1	26.50
47-53	COE .....	left .....	3683963	1	29.75
47-53	COE .....	right .....	3683964	1	29.75
49-50	PASS .....	left .....	3690631	1	26.50
49-50	PASS .....	right .....	3690632	1	26.50
51-52	PASS .....	left .....	3694961	1	26.50
51-52	PASS .....	right .....	3694962	1	26.50
53	PASS. (1st design) (See Note) .....	right .....	3701582	1	26.50
53	PASS .....	left .....	3705127	1	26.50
53	PASS. (2nd design) (See Note) .....	right .....	3705128	1	26.50
54	PASS .....	left .....	3704393	1	26.50
54	PASS .....	right .....	3704394	1	26.50
54	COMM. (exc. D-D) .....	left .....	3700181	1	25.75
54	COMM. (exc. D-D) .....	right .....	3700182	1	25.75
54	UTILITY (exc. COE) .....	left .....	3700209	1	26.50
54	UTILITY (exc. COE) .....	right .....	3700210	1	26.50
54	COE .....	left .....	3700573	1	29.75
54	COE .....	right .....	3700574	1	29.75

NOTE: Dash brace not used with 2nd design.

### 8.131 CAP, Front Fender

42-48	PASS .....	left .....	3663517	1	5.45
42-48	PASS .....	right .....	3663518	1	5.45

### 8.132 MOULDING, Front Fender

42-48	FLEETLINE .....	left, upper .....	3664337	1	1.38
42-48	FLEETLINE .....	right, upper .....	3664338	1	1.38
42-48	FLEETLINE .....	left, center .....	3664335	1	1.38
42-48	FLEETLINE .....	right, center .....	3664336	1	1.38
42-48	FLEETLINE .....	left, lower .....	3664319	1	1.38
42-48	FLEETLINE .....	right, lower .....	3664320	1	1.38
47-54	COMM. (PANEL) .....	side .....	3676199	2	2.56
47-54	COMM. (PANEL) .....	left, upper .....	3676203	1	1.62
47-54	COMM. (PANEL) .....	right, upper .....	3676204	1	1.62
47-54	COMM. (PANEL) .....	left, center .....	3676205	1	1.55
47-54	COMM. (PANEL) .....	right, center .....	3676206	1	1.55
47-54	COMM. (PANEL) .....	left, lower .....	3676207	1	1.49
47-54	COMM. (PANEL) .....	right, lower .....	3676208	1	1.49
49-50	GK, HK .....	.....	3693873	2	1.93
51	JK .....	left (DE LUXE) (w/bolts) .....	3695287	1	3.47
51	JK .....	right (DE LUXE) (w/bolts) .....	3695288	1	3.47
52	KK .....	.....	3700036	2	1.84
53-54	B, C .....	left .....	3698359	1	1.58
53-54	B, C .....	right .....	3698360	1	1.58

### MOULDING, Front Fender Cap

42-48	FLEETLINE .....	left, upper .....	3664321	1	1.38
42-48	FLEETLINE .....	right, upper .....	3664322	1	1.38
42-48	FLEETLINE .....	left, center .....	3664329	1	1.38
42-48	FLEETLINE .....	right, center .....	3664330	1	1.38
42-48	FLEETLINE .....	left, lower .....	3664333	1	1.38
42-48	FLEETLINE .....	right, lower .....	3664334	1	1.38

### 8.133 BRACE, Front Fender Cap

42-48	PASS. (exc. STA. WAG.) .....	left, front .....	3664729	1	.27
42-48	PASS. (exc. STA. WAG.) .....	right, front .....	3664730	1	.27
42-48	PASS. (exc. STA. WAG.) .....	rear .....	3664378	2	.13
46-48	STA. WAG. .....	front .....	3682978	2	.27
46-48	STA. WAG. .....	rear .....	3682979	2	.20

**ATTACHING PARTS, FENDER CAP and MOULDING**



**3686667**



**3682036**



**3676209**



**3700044**



**3667254**



**4114412**



**3665140**

42-48	PASS.....	BOLT, w/lockwasher (3/8-18 x 1).....	3665140	6	.08
42-48	FLEETLINE.....	BOLT, fender moulding.....	3664252	18	.07
42-48	FLEETLINE.....	BOLT, fender cap moulding.....	3667254	12	.08
47-54	COMM. (PANEL).....	BOLT, moulding (1/4-20).....	3676209	A.R.	.08
47-54	COMM. (PANEL).....	CLIP, moulding.....	3682036	A.R.	(8.309)
42-48	FLEETLINE.....	FASTENER, cap moulding (snap-on type).....	4114412	18	(12.118)
42-48	PASS.....	ANTI-SQUEAK.....	3664697	2	.35
49-50	GK, HK.....	RETAINER, fender mldg. (w/bolt).....	3686667	12	.06
52-54	KK, B, C.....	RETAINER, fender mldg. (w/bolt).....	3700044	12	.08
49-51	GK, HK, JK.....	WASHER, retainer (1/4 I.D. x 3/4 O.D.).....	3662988	A.R.	(2.704)

**8.141 SUPPORT, Front Fender**

37-38	COMM.....	outer, left.....	595359	1	1.66
39-40	COMM. (exc. KF).....	left.....	350951	1	1.66
39-40	COMM. (exc. KF).....	right.....	350952	1	1.66
39-40	KF, UTIL. (exc. COE).....	left.....	350953	1	1.66
39-40	KF, UTIL. (exc. COE).....	right.....	350954	1	1.66
41-46	AK, AL, AM, BK, BL, BM, CK, DP, DR. ...	left.....	3657175	1	1.83
41-46	AK, AL, AM, BK, BL, BM, CK, DP, DR. ...	right.....	3657176	1	1.83
41-46	AN, YR, YS, YT, BN, MR, MS, MY, DS, OR, OS, OW, OY, PJ, PK, PL.....	left (used w/fender 3682055).....	3657179	1	1.83
41-46	AN, YR, YS, YT, BN, MR, MS, MY, DS, OR, OS, OW, OY, PJ, PK, PL.....	right (used w/fender 3682056).....	3657180	1	1.83
41-46	YR, YS, YT, MR, MS, MT, MY, OE, OF, OG, PV, PW, PX.....	left (used w/fender 3665273).....	3661777	1	1.83
41-46	YR, YS, YT, MR, MS, MT, MY, OE, OF, OG, PV, PW, PX.....	right (used w/fender 3665274).....	3661778	1	1.83
41-46	COE.....	left.....	3658351	1	1.66
41-46	COE.....	right.....	3658352	1	1.66
41-42	COMM., YR, YS, MR, MS, MY.....	rear, left (used w/3682055).....	3657241	1	1.29
41-42	COMM., YR, YS, MR, MS, MY.....	rear, right (used w/3682056).....	3657242	1	1.29
47-54	COMM.....	front, left.....	3684459	1	1.83
47-54	COMM.....	front, right.....	3684460	1	1.83
47-54	UTILITY (exc. COE).....	front, left.....	3684759	1	1.83
47-54	UTILITY (exc. COE).....	front, right.....	3684760	1	1.83

**8.143 ATTACHING PARTS, Front Fender**

ALL	ALL.....	WASHER (1 1/8 I.D. x 1 1/4 O.D.).....	3688003	2	.02
53-54	CONV.....	WASHER, rubber (1 1/8 O.D. x 3/8 I.D. x 3/16 thick).....	3704580	8	.06
53-54	CONV.....	SPACER, steel (3/8 I.D. x 3/8 long).....	3704581	4	.06
39-54	ALL.....	SCREW (No. 14-10 x 3/4).....	3680059	20	.03
41-46	ALL (exc. 2 TON, COE),				
47-54	ALL.....	SCREW (No. 14-10 x 1/2).....	3659780	6	.04
39-46	COE.....	SCREW, front fender to body (No. 14-10 x 1).....	3651216	22	(8.208)
29-42	ALL.....	NUT, front fender attaching (3/8-18).....	4034101	A.R.	(12.751)

### 8.144 BRACE, Front Fender

40	PASS.		3653643	2	.27
41-46	YT, MT, MY, OG, OW, PL, PX.	rear support.	3659491	2	.47
41-48	PASS.		3664045	2	.27
47-54	COMM.	rear, left.	3684841	1	.18
47-54	COMM.	rear, right.	3684842	1	.18
47-54	UTILITY (exc. COE)	rear, left (one end square)	3683707	1	.18
47-54	UTILITY (exc. COE)	rear, right (one end square)	3683708	1	.18
49-52	PASS.	fender to frame.	3688603	2	.30
49-52	PASS.	left, fender to dash.	3688665	1	.71
49-52	PASS.	right, fender to dash.	3688666	1	.71
53-54	PASS.	fender to frame (5 slots—14 $\frac{3}{8}$ O.L.)	3698051	2	.30
53-54	PASS. (exc. CONV.)	left, fender to dash.	3701615	1	.71
53-54	PASS. (exc. CONV.)	right, fender to dash.	3701616	1	.71

### 8.145 BRACKET, Front Fender Support

41	PASS.	left.	3658673	1	1.35
41	PASS.	right.	3658674	1	1.35
42-46	COMM., UTIL. (exc. COE)	left, dash (used to support inner skirt of fender 3664961 or 3682055)	3664911	1	.35
42-46	COMM., UTIL. (exc. COE)	right, dash (used to support inner skirt of fender 3664962 or 3682056)	3664912	1	.35
42-46	COMM., UTIL. (exc. COE)	left (used to support fender skirt)	3665023	1	.35
42-48	PASS.	left.	3664353	1	.35
42-48	PASS.	right.	3664354	1	.35
49-52	PASS.	left.	3688707	1	.90
49-52	PASS.	right.	3688708	1	.90
53-54	PASS.	left.	3701867	1	.90
53-54	PASS.	right.	3701868	1	.90

### 8.147 PLATE—MARKER, Front Fender Name

49-50	GK, HK.	(Deluxe)	3692093	2	.63
52	STA. WAG.	(Deluxe)	3697900	2	1.13
54	PASS.	MARKER (unit)	986981	1	5.50

### 8.148 STEP—PANEL—PAD, Front Fender

41-46	COE.	STEP, right.	3658390	1	1.11
47-54	COE.	PANEL, left step.	3686213	1	3.06
47-54	COE.	PANEL, right step.	3686214	1	3.06
41-46	COE.	PAD, left step.	3681083	1	1.54
41-46	COE.	PAD, right step.	3681084	1	1.54
47-54	COE.	PAD, left, step panel.	3686221	1	2.23
47-54	COE.	PAD, right, step panel.	3686222	1	2.23
47-54	COE.	PAD, left, scuff.	3685907	1	4.03
47-54	COE.	PAD, right, scuff.	3685908	1	4.03

### 8.152 COVER—SEAL, Front Spring Horn

37-38	GB, HB.	left.	594565	1	.75
37-38	GB, HB.	right.	594566	1	.75
37-38	GB, HB.	SEAL, front spring horn cover, left.	594567	1	.32
37-38	GB, HB.	SEAL, front spring horn cover, right.	594568	1	.32

### 8.153 SKIRT—EXTENSION—BRACKET—SPACER, Front Fender

37-38	COMM., UTILITY.	left.	595889	1	2.85
37-38	COMM., UTILITY.	right.	595890	1	2.85
39	PASS. (exc. STA. WAG.)	left.	350609	1	3.22
39	PASS. (exc. STA. WAG.)	right.	350610	1	3.22
NOTE: When using 350609-10 on series JB, cut skirt to clear steering gear housing.					
39-40	COMM., UTIL. (exc. COE)	left.	603739	1	3.55
39-40	COMM., UTIL. (exc. COE)	right.	603740	1	3.55
40	PASS.	left, front.	3653849	1	3.22
40	PASS.	right, front.	3653850	1	3.22
40	PASS.	right, rear.	3654036	1	2.57



41	PASS.	left, front.	3659113	1	2.05
41	PASS.	right, front.	3659114	1	2.05
41	PASS.	left, rear.	3658787	1	3.86
41	PASS.	right, rear.	3658788	1	3.86
41-46	COMM., UTIL. (exc. COE)	left, front.	3664975	1	2.05
41-46	COMM., UTIL. (exc. COE)	right, front.	3664976	1	2.05
41-46	COMM., UTIL. (exc. COE)	left, rear.	3665871	1	4.34
41-46	COMM., UTIL. (exc. COE)	right, rear.	3665872	1	4.34
41-46	COE.	left.	3665345	1	8.37
41-46	COE.	right.	3665346	1	8.37
42	PASS.	left, front.	3664485	1	2.31
42	PASS.	right, front.	3664486	1	2.31
42-48	PASS.	left, rear.	3664301	1	4.34
42-48	PASS.	right, rear.	3664302	1	4.34
46-48	PASS.	left, front.	3684119	1	2.31
46-48	PASS.	right, front.	3684120	1	2.31
47-54	COE.	left, rear.	3685557	1	3.77
47-54	COE.	right, rear.	3685558	1	3.77
47	COMM.	left, front.	3683075	1	7.77
47-53	COMM.	right, front.	3683076	1	7.77
47-53	UTILITY (exc. COE)	left, front.	3683081	1	7.77
47-53	UTILITY (exc. COE, SBC)	right, front.	3683082	1	7.77
47-53	SCH. BUS CH.	right, front.	3676222	1	8.58
47-53	COE.	left, front.	3686163	1	4.55
47-53	COE.	right, front.	3686164	1	4.55
48-53	COMM.	left, front.	3687381	1	7.77
49-50	PASS.	left, front.	3688519	1	5.05
49-50	PASS.	right, front.	3688520	1	5.05
49-52	PASS.	left, rear.	3700393	1	6.26
49-52	PASS.	right, rear.	3700394	1	6.71
51-52	PASS.	left, front.	3694935	1	4.94
51-52	PASS.	right, front.	3694936	1	4.94
53	PASS.	left, front.	3701905	1	5.05
53	PASS.	right, front.	3701906	1	5.05
53	PASS.	left, rear.	3701863	1	6.26
53-54	PASS.	right, rear.	3701864	1	6.71
53-54	PASS. (2nd. design)	right, rear.	3705136	1	6.70
54	PASS.	left, front.	3705107	1	5.05
54	PASS.	right, front.	3705108	1	5.05
54	PASS.	left, rear.	3707847	1	6.25
54	COMM. (exc. D-D)	left, front.	3700513	1	7.90
54	COMM. (exc. D-D)	right, front.	3700514	1	7.90
54	UTILITY (exc. COE)	left, front.	3700503	1	7.90
54	UTILITY (exc. COE, SBC)	right, front.	3700504	1	7.90
54	COE.	left, front.	3700227	1	4.55
54	COE.	right, front.	3700228	1	4.55
54	SBC.	right, (complete)	3701216	1	6.75
40	PASS.	EXTENSION, left.	3653109*	1	1.66
40	PASS.	EXTENSION, right.	3653110*	1	1.66
41-46	COMM., UTIL. (exc. COE)	EXTENSION, left.	3681987	1	2.85
41-46	COMM., UTIL. (exc. COE)	EXTENSION, right.	3681988	1	2.85
41-46	COMM., UTIL. (exc. COE)	BRACKET, extension lower, right.	3682654	1	.13
47	COMM.,				
48-54	1 TON (exc. D-D)	SPACER, skirt to toe panel.	3686945	1	.91

\*NOTE: Used between fender and hood top and side panels.

#### 8.154 SEAL, Front Fender Skirt

41-54	PASS.,				
47-54	COMM., UTILITY (exc. COE)	front skirt (37 $\frac{1}{8}$ long—sponge rubber)	3701900	A.R.	.63
49-50	PASS.	front skirt long, (sponge rubber) (5 holes)	3688471	2	.28
49-54	PASS.	rear skirt to frame (28 $\frac{1}{8}$ long)	3688784	A.R.	.40
49-54	PASS.	rear skirt to dash leg (4 $\frac{1}{8}$ long)	3701970	2	.17
51-52	PASS.	front skirt (sponge rubber) (4 holes)	3694993	2	.23
53	PASS.	front (4 holes $\frac{1}{2}$ dia.—sponge rubber)	3701637	2	.23
54	PASS.	front (5 holes $\frac{1}{8}$ dia.—sponge rubber)	3705111	2	.25

#### 8.155 BRACE—BRACKET, Front Fender Skirt

47-54	COMM., UTIL. (exc. COE)	BRACE, skirt to dash.	3685643	2	.74
47-54	COMM., UTIL. (exc. COE)	BRACKET, skirt to dash brace.	3685642	2	.23

**8.161 ANTI-SQUEAK, Front Fender (also see Group 8.205)**

37-48	PASS.	rear skirt to frame.	3664699	2	.47
41	PASS.	to body, left.	3658853	1	.69
41	PASS.	to body, right.	3658854	1	.69

**8.162 SHIELD UNIT, Front Fender**

53-54	B, C	(pair).	986762	1	6.75
-------	------	---------	--------	---	------

**8.164 BAFFLE—EXTENSION ASSY., Front Fender**

39	PASS.	left.	350767	1	1.34
39	PASS.	right.	350768	1	1.34
41	PASS.	left.	3660529	1	.75
41	PASS.	right.	3660530	1	.75
42-48	PASS.	left.	3664113	1	2.05
42-48	PASS.	right.	3664114	1	2.05
42-48	PASS.	left (cowl baffle).	3665691	1	.25
42-48	PASS.	right (cowl baffle).	3665692	1	.25
49-52	PASS.	left.	3688605	1	2.05
49-52	PASS.	right.	3688606	1	2.05
49-52	PASS.	left, lower.	3690765	1	1.03
49-52	PASS.	right, lower.	3690766	1	1.03
53-54	PASS.	left.	3701983	1	2.05
53-54	PASS.	right.	3701984	1	2.05
49-52	PASS.	EXTENSION ASSY., baffle, left.	3690751	1	1.08
49-52	PASS.	EXTENSION ASSY., baffle, right.	3690752	1	1.08
53-54	PASS. (exc. CONV.)	EXTENSION ASSY., baffle, left.	3698023	1	1.08
53-54	PASS. (exc. CONV.)	EXTENSION ASSY., baffle, right.	3698024	1	1.08
53-54	CONV.	EXTENSION ASSY., baffle, left.	3698047	1	1.08
53-54	CONV.	EXTENSION ASSY., baffle, right.	3698048	1	1.08

**8.165 SEAL, Front Fender Baffle**

42-48	PASS.	left (cowl baffle).	3665693	1	.27
42-48	PASS.	right (cowl baffle).	3665694	1	.27

**8.175 PANEL, Rear Wheel Cover (wheel shield)**

49-50	PASS.,				
51-52	STA. WAG., SDL.	left (w/rubber seal).	3693333	1	7.32
49-50	PASS.,				
51-52	STA. WAG., SDL.	right (w/rubber seal).	3693334	1	7.32
51-52	PASS. (exc. STA. WAG., SDL.)	(w/rubber seal).	3695982	2	7.32
53-54	PASS.	left (w/panel rods).	3708103	1	7.32
53-54	PASS.	right (w/panel rods).	3708104	1	7.32
53-54	A, B	PANEL UNIT (complete).	986619	1	16.00

**8.176 MOULDING and ATTACHING PARTS, Wheel Cover Panel**

42-48	FLEETLINE	upper.	606223	2	1.28
42-48	FLEETLINE	center.	606371	2	1.28
42-48	FLEETLINE	lower.	606373	2	1.28
41	PASS.	FASTENER, snap type.	3688565	12	(10.253)
41	PASS.	BOLT.	3688845	2	(8.309)
49	PASS.	GUIDE, left front lock lever (adjustable type).	3690943	1	.28
49	PASS.	GUIDE, right front lock lever (adjustable type).	3690944	1	.28
49-50	PASS.,				
51-52	STA. WAG., SDL.	GUIDE, left rear rod.	3690945	1	.28
49-50	PASS.,				
51-52	STA. WAG., SDL.	GUIDE, right rear rod.	3690946	1	.28
49-50	PASS.,				
51-52	STA. WAG., SDL.	GUIDE, left front lock lever (non-adjusting).	3692857	1	.28
49-50	PASS.,				
51-52	STA. WAG., SDL.	GUIDE, right front lock lever (non-adjusting).	3692858	1	.28
51-52	PASS. (exc. STA. WAG., SDL.)	GUIDE, rod.	3695671	4	.28
53-54	PASS.	GUIDE, rod (2 holes 1 1/4 ctr. to ctr.—No. 10— 32 thread).	3698379	2	.28
51-52	PASS. (exc. STA. WAG., SDL.)	RETAINER (stmpd. "F") (attaches to qtr. panel)	3695984	4	.28
53-54	PASS.	BRACKET (2 holes 3/16—1 1/8 long).	3702165	4	.25

**8.177 SEAL, Wheel Cover Panel Rubber**

49-54	PASS.....	(cut to length required).....	3695672	A.R.	.40
<b>8.203 FENDER, Rear</b>					
35-36	EA, ED, FA, FC, FD.....	left (not drilled for tail lamp).....	378951	1	13.54
35-36	EA, ED, FA, FC, FD.....	right (not drilled for tail lamp).....	378952	1	13.54
37-38	PASS.....	left.....	597275‡	1	14.20
37-38	PASS.....	right.....	597280§	1	14.20
37-38	COMM. (exc. CAB).....	left (52¼ long).....	594181	1	14.20
37-38	COMM. (exc. CAB).....	right (52¼ long).....	594182	1	14.20
37-38	COMM. (CAB).....	left.....	594855	1	14.20
37-38	COMM. (CAB).....	right.....	594856	1	14.20
37-46	SB, SD, TB, TD, VB, VD, WA, WB, YR, YS, MR, MS, DS, OR, OS, PJ, PK (CABS)...	left (dual wheels).....	350985	1	20.85
37-46	SB, SD, TB, TD, VB, VD, WA, WB, YR, YS, MR, MS, DS, OR, OS, PJ, PK (CABS)...	right (dual wheels).....	350986	1	20.85
39	4-DR. SED., COA., SDL. (w/o TRUNK)...	left.....	598899	1	14.20
39	4-DR. SED., COA. (w/o TRUNK).....	right.....	599714	1	14.20
39	CPES., 4-DR. SPT. SED., TWN. SED., STA. WAG. (w/TRUNK).....	left.....	599341	1	14.20
39	CPES., 4-DR. SPT. SED., TWN. SED., STA. WAG., SDL. (w/TRUNK).....	right.....	599364*	1	14.20
39-46	IC, JD, JE, KC, KD, KE, AK, AL, AM, BK, BL, BM, CK, DP, DR (SINGLE UNIT)...	left.....	599121	1	14.20
39-46	IC, JD, JE, KC, KD, KE, AK, AL, AM, BK, BL, BM, CK, DP, DR (SINGLE UNIT)...	right.....	599122	1	14.20
39	IC, JD, JE (CAB).....	left.....	599295	1	14.20
39	IC, JD, JE (CAB).....	right.....	599296	1	14.20
39-46	VA, KF, WA, AN, YR, BN, MR, DS, OR, PJ.	left (single wheel).....	350757	1	14.20
39-46	VA, KF, WA, AN, YR, BN, MR, DS, OR, PJ.	right (single wheel).....	350758	1	14.20
39-46	VB, WA, YR, MR, OR, PJ (SGL. UNIT— dual wheels).....	left.....	350779	1	18.46
40	PASS.....	left.....	604627	1	14.18
40	PASS.....	right (with gas tank filler hole).....	604628	1	14.18
41-48	PASS.....	left.....	609657	1	14.22
41-48	PASS.....	right.....	609658†	1	14.22
40-46	COMM. (CABS) (exc. KF, AN, BN, DS)...	left.....	3681977	1	14.20
40-46	COMM. (CABS) (exc. KF, AN, BN, DS)...	right.....	3681978	1	14.20
47-53	COMM. (exc. SGL. UNIT) (w/o tire well)...	left.....	3682835	1	14.89
47-53	COMM. (exc. SGL. UNIT).....	right.....	3682836	1	14.89
47-54	COMM. (SGL. UNIT).....	left.....	3684691	1	14.89
47-54	COMM. (SGL. UNIT).....	right.....	3684692	1	14.89
53	½ TON (Pick-Up) (w/tire well).....	left.....	3702885	1	14.89
54	COMM. (exc. SGL. UNIT).....	left.....	3700271	1	14.95
54	COMM. (exc. SGL. UNIT).....	right.....	3700272	1	14.95
54	½ TON (Pick-Up) (w/tire well).....	left.....	3705885	1	14.95

‡NOTE: On 1937 models it is necessary to use one 602773 brace.

§NOTE: On 1937-38 BUS. CPE. and SDL., use 609655 PLUG for gasoline filler neck hole.

\*NOTE: Install 609655 plug for gasoline filler neck hole where necessary.

†NOTE: On SDL., BUS. CPES. and CPE. PICK-UP, use 1 - 609655 PLUG Group 8.208.

**8.204 MOULDING, Rear Fender**

42-48	FLEETLINE.....	left, upper.....	3664279	1	1.38
42-48	FLEETLINE.....	right, upper.....	3664280	1	1.38
42-48	FLEETLINE.....	left, center.....	3664281	1	1.38
42-48	FLEETLINE.....	right, center.....	3664282	1	1.38
42-48	FLEETLINE.....	left, lower.....	3664283	1	1.38
42-48	FLEETLINE.....	right, lower.....	3664284	1	1.38
47	COMM. (PANEL).....	left, upper.....	3676201	1	1.67
47	COMM. (PANEL).....	right, upper.....	3676202	1	1.67
47	COMM. (PANEL).....	left, center.....	3676197	1	1.62
47	COMM. (PANEL).....	right, center.....	3676198	1	1.62
47	COMM. (PANEL).....	left, lower.....	3676195	1	1.62
47	COMM. (PANEL).....	right, lower.....	3676196	1	1.62
48-54	COMM. (PANEL).....	left, upper.....	3689257	1	1.67
48-54	COMM. (PANEL).....	right, upper.....	3689258	1	1.67

48-54	COMM. (PANEL)	left, center	3689259	1	1.62
48-54	COMM. (PANEL)	right, center	3689260	1	1.62
48-54	COMM. (PANEL)	left, lower	3689261	1	1.62
48-54	COMM. (PANEL)	right, lower	3689262	1	1.62
42-48	FLEETLINE	BOLT, moulding	3667254	12	(8.133)
42-48	FLEETLINE	FASTENER, moulding	4114412	18	(12.118)
47-51	COMM. (PANEL)	BOLT, moulding (1/4-20)	3676209	26	(8.133)
47-51	COMM. (PANEL)	CLIP, moulding	3682036	A.R.	(8.309)

### 8.205 ANTI-SQUEAK, Universal

ALL	ALL	radiator ledge	609532	A.R.	(9.127)
ALL	ALL	(1 3/4 wide x 100 ft. roll—one bead)	601726	A.R.	.13 ft
47-54	COMM., UTIL. (exc. COE)	(2 1/4 wide x 100 ft. roll—one bead) (front fender to cowl)	609725	A.R.	.17 ft
47-54	COMM., UTIL. (CABS) (exc. COE)	running board to body	3685433	1	.97

### 8.206 ATTACHING PARTS, Rear Fender

ALL	ALL	WASHER (1 1/4 O.D.—1 1/2 I.D. x 1/16)	3688003	26	(8.143)
29-46	COMM., UTILITY	NUT, anchor (1/4-20 spot weld type)	365668	A.R.	.08
40-48	PASS. (exc. STA. WAG.)	SCREW, rear fender to body (No. 14-10 x 1)	3651216	26	.02
47-54	COMM. (SGL. UNIT)	BOLT ASSY., w/lock washer (3/8-18 x 1)	3676478	20	.08

### 8.208 PLUG, Gasoline Tank Filler Neck Fender Hole

37-48	PASS.	rubber	609655	1	.35
-------	-------	--------	--------	---	-----

### 8.212 IRON—BRACE, Rear Fender

39	COMM. (CAB W/PICK-UP)		599997	2	.75
39-46	VB, VD, WA, WB, YR, YS, MR, MS, DS, OR, OS, PJ, PK (CABS—dual wheels and long running boards)		350349	4	2.78
40-42	KC, KD, KE, AL, AM, BK, BL, BM (PICK-UP)		3654300	2	.75
39	PASS.	BRACE	598238	2	.32
40	PASS.	BRACE	3652627	2	.32
41-48	PASS. (exc. STA. WAG.)	BRACE	3658019	2	.32
46	DF, DR, (CAB, FFC)	BRACE, center	3681972	2	.75
46	DF (CAB, FFC)	BRACE, rear	3681981	2	.48
46	DR (CAB, FFC)	BRACE, rear	3681983	2	.65
47-54	COMM. (exc. SGL. UNIT)	BRACE, center	3683946	2	.75
47-54	1/2 TON (exc. SGL. UNIT)	BRACE, rear	3683947	2	.43
47-54	1/2 TON (SGL. UNIT)	BRACE, rear	3684696	2	.48
47-54	COMM. (exc. 1/2 TON, SGL. UNIT)	BRACE, rear	3683983	2	.53
47-54	1-TON (SGL. UNIT)	BRACE, rear	3684813	2	.65

### 8.214 SHIELD—RETAINER—FLAP, Rear Fender

41	PASS.	left	609659	1	2.42
41	PASS.	right	609660	1	2.42
42-48	PASS.	left	3664883	1	2.37
42-48	PASS.	right	3664884	1	2.37
42-48	PASS.	RETAINER, shield, left	3664885	1	.27
42-48	PASS.	RETAINER, shield, right	3664886	1	.27
54	3/4, 1 TON (PLATFORM)	FLAP UNIT, mud (13 x 27)	986905	1	12.75
54	UTIL. (PLATFORM)	FLAP UNIT, mud (23 x 33)	986904	1	18.50

### 8.228 APRON—SUPPORT, Running Board

40-46	KD, KE, AL, AM, BL, BM, DR (CABS)	left	3654025	1	2.14
40-46	KD, KE, AL, AM, BL, BM, DR (CABS)	right	3654026	1	2.14
47-53	1/2 TON (CAB and PICK-UP)	left	3676427	1	1.62
47-53	1/2 TON (CAB and PICK-UP)	right	3676428	1	1.62
47-54	3/4 TON	left	3676429	1	2.05
47-54	3/4 TON	right	3676430	1	2.05
47-54	1 TON (exc. SGL. UNIT)	left	3676431	1	3.06
47-54	1 TON (exc. SGL. UNIT)	right	3676432	1	3.06
47-54	COE	left	3686223	1	3.06
47-54	COE	right	3686224	1	3.06



54	½ TON (CAB and PICK-UP)	left	3700361	1	1.65
54	½ TON (CAB and PICK-UP)	right	3700362	1	1.65
54	¾ TON (PICK-UP)	left	3700365	1	2.05
54	¾ TON (PICK-UP)	right	3700366	1	2.05
54	1 TON (PICK-UP)	left	3700369	1	3.05
54	1 TON (PICK-UP)	right	3700370	1	3.05
47-53	COMM. (exc. SGL. UNIT)	SUPPORT, apron	3684174	2	.53
54	COMM. (exc. SGL. UNIT)	SUPPORT, apron	3700373	2	.55

### 8.299 BOARD, Running

37-38	PASS.	left, with mat and moulding	602913	1	15.77
37-38	PASS.	right, with mat and moulding	602914	1	15.77
37-38	GC, HC	right (80 length)	594266	1	10.02
37-38	SA, TA (PLATFORM),				
37-38	SB, SD, TE, TD	left (53¾ length)	595437	1	8.12
39	PASS.	left, with mat and moulding	603957	1	15.43
39	PASS.	right, with mat and moulding	603958	1	15.43
39-40	JC, KC	left	599577	1	10.02
39-40	JC, KC	right	599578	1	10.02
39-40	JD, JE, KD, KE	left, long	599599	1	10.02
39-40	JD, JE, KD, KE	right, long	599600	1	10.02
39-42	VA, KF, WA, AN, YR, BN, MR	left, long	599855	1	10.65
39-42	VA, KF, WA, AN, YR, BN, MR	right, long	599856	1	10.65
39-40	V, WA, WB (exc. COE, SGL. UNIT)	left, short			
39-40	VB, VD, WA, WB,				
42-46	MR, MS, OR, OS	(dual fenders w/running board ext.),			
46	OE, OF, PV, PW	reg. prod.	599993	1	10.02
39-40	V, WA, WB (exc. COE, SGL. UNIT)	right, short			
39-40	VB, VD, WA, WB,				
42-46	MR, MS, OR, OS	(dual fenders w/running board ext.),			
46	OE, OF, PV, PW	right, reg. prod.	599994	1	10.02
40	PASS.	left, less moulding	3653587	1	14.03
40	PASS.	right, less moulding	3653588	1	14.03
40-46	COE	left	3654851	1	3.51
41-46	½ TON	left	3656701	1	10.55
41-46	½ TON	right	3656702	1	10.55
41-46	AN, YR, BN, MR, DS, OR, PJ	left (96½ long)	3656915	1	11.22
41-46	AN, YR, BN, MR, DS, OR, PJ	right (96½ long)	3656916	1	11.22
41-46	YR, YS, MR, MS, DS, OR, OS, PJ, PK	left (55¾ long)	3656917	1	10.55
41-46	YR, YS, MR, MS, DS, OR, OS, PJ, PK	right (55¾ long)	3656918	1	10.55
41-46	AL, AM, BL, BM, DR	left (58½ long)	3656705	1	8.40
41-46	AL, AM, BL, BM, DR	right (58½ long)	3656706	1	8.40
41-46	AL, AM, BK, BL, BM, DR	left (93¼ long)	3656703	1	10.29
41-46	AL, AM, BK, BL, BM, DR	right (93¼ long)	3656704	1	10.29
47-54	½ TON	left	3682721	1	9.69
47-54	½ TON	right	3682722	1	9.69
47-54	¾ TON (PICK-UP)	left (75¾ long)	3682729	1	10.29
47-54	¾ TON (PICK-UP)	right (75¾ long)	3682730	1	10.29
47-54	¾, 1 TON (exc. SGL. UNIT, PICK-UP)	left (40¾ long)	3682725	1	8.12
47-54	¾, 1 TON (exc. SGL. UNIT, PICK-UP)	right (40¾ long)	3682726	1	8.12
47-54	1 TON (SGL. UNIT, PICK-UP)	left (87½ long)	3682623	1	10.55
47-54	1 TON (SGL. UNIT, PICK-UP)	right (87½ long)	3682624	1	10.55
47-54	UTIL. (exc. COE, SCH. BUS. CH.)	left	3682813	1	8.12
47-54	UTIL. (exc. COE, SCH. BUS. CH.)	right	3682814	1	8.12
29-41	ALL	NUT, anchor (¼—20 spot weld type)	365666	A.R.	(8.206)

NOTE: Running boards for dual rear fenders require the use of the following extensions: (see next group).

### 8.304 MOULDING, Running Board and Body Sill

#### Running Board

34-38	PASS. (exc. DC, EC, FC)		593614	2	1.62
39	JA		350392	2	1.62
40	KA, KH		3653729	2	2.05

#### Body Sill

41	PASS.	left	3658689	1	3.09
41	PASS.	right	3658690	1	3.09

42-48	PASS.....	left.....	3681635	1	4.22
42-48	PASS.....	right.....	3681636	1	4.22
49-52	PASS.....	left.....	3688947	1	4.02
49-52	PASS.....	right.....	3688948	1	4.02
53-54	B, C.....	left.....	3698437	1	2.89
53-54	B, C.....	right.....	3698438	1	2.89

**8.307 PANEL—PLATE—SEAL, Body Sill Extension**

42-48	PASS.....	left.....	3665077	1	2.95
42-48	PASS.....	right.....	3665078	1	2.95
42-48	PASS.....	PLATE, left, panel scuff.....	3665251	1	.65
42-48	PASS.....	PLATE, right, panel scuff.....	3665252	1	.65
42-48	PASS.....	SEAL, panel.....	3664214	2	.18

**8.308 FASTENER, Running Board and Body Sill Moulding**



37-38	PASS.....	( $\frac{3}{4}$ wide x $\frac{1}{16}$ ).....	593617	20	50/1.12
39	JA.....	.....	350613	20	10/.22
41	PASS.....	(snap type).....	3658565	36	(10.253)
40	KA, KH.....	BOLT, moulding.....	3654638	20	.06
41	PASS.....	BOLT.....	3658845	6	.05
42-48	PASS.....	BOLT, front ( $\frac{1}{4}$ -20 x $\frac{3}{4}$ ).....	3664679	6	.07
46-48	PASS.....	BOLT, rear ( $\frac{1}{4}$ -20 x $3\frac{1}{8}$ ).....	3682035	12	.13
49-52	PASS.....	BOLT, moulding.....	3688946	4	.07
53-54	B, C.....	BOLT, moulding ( $\frac{1}{4}$ -20 x $\frac{3}{4}$ ).....	3698439	2	.07
42-48	PASS.....	CLIP, moulding.....	3682053	16	.05
42-48	PASS.....	CLIP, moulding bolt.....	3682036	12	.03
49-52	PASS.....	CLIP, moulding.....	3690097	12	.05
53-54	B, C.....	CLIP, moulding.....	3698436	14	.05
42-48	PASS.....	SCREW (No. 10-12 x 1 stainless steel).....	442033	12	(8.977)

**8.316 SUPPORT—BRACE—FRAME, Running Board Mat**

47-54	COE.....	left.....	3686713	1	.91
47-54	COE.....	right.....	3686714	1	.91
47-54	COE.....	BRACE.....	3686705	2	.53
47-54	COE.....	FRAME, left (lower).....	3686225	1	2.03
47-54	COE.....	FRAME, right (lower).....	3686226	1	2.03

**8.316 MAT, Running Board**

37-38	PASS.....	left (60 long).....	597625	1	6.14
37-38	PASS.....	right (60 long).....	597626	1	6.14
39	PASS.....	left.....	390271	1	6.14
39	PASS.....	right.....	350272	1	6.14
47-54	COE.....	left.....	3686235	1	3.62
47-54	COE.....	right.....	3686236	1	3.62

**8.798 WASHER UNIT, Windshield, and Parts**

53	PASS.		986650	1	7.25
54	ALL	(foot operated)	986983	1	7.25
54	PASS.	COORDINATOR UNIT	986984†	1	3.50

†NOTE: Must be used with 986650 Windshield Washer Unit.

54	ALL (exc. COE)	PUMP	3706844	1	2.50
38-42	PASS.				
40-50	COMM., UTIL. (exc. D-D, COE)				
46-48	PASS. (exc. CONV.)	JET UNIT, windshield washer	604354	1	.92
40-42	ALL (exc. COE)				
46-48	PASS. (exc. CONV.)				
46-51	COMM., UTIL. (exc. COE, D-D)	JAR, washer (vacuum operated)	604088	1	.60
49-54	PASS.	JAR, washer	3692419	1	.60
51-53	COMM., UTILITY (exc. COE, D-D)	JAR, washer (foot operated)	3695923	1	.98
38-48	PASS.				
40-50	COMM., UTIL. (exc. D-D, COE)	VALVE, washer control	603010	1	.92
38-48	PASS.				
40-50	COMM., UTIL. (exc. D-D, COE)	NOZZLE, washer spray (vacuum operated)	3699138	2	.60
49-54	PASS.	NOZZLE, washer spray	3699025	2	.53
50-53	ALL (exc. D-D, COE)	NOZZLE, spray (1¼ lg.)	3701341	2	1.35
54	COMM., UTIL. (exc. COE)	NOZZLE, spray (1¾ lg.)	3706644	2	.80
38-54	PASS.				
40-50	COMM., UTIL. (exc. D-D, COE)				
54	COMM., UTIL. (exc. D-D)	TEE, spray hose connector ("T" shape)	603008	1	.32
38-48	PASS.				
40-50	COMM., UTIL. (exc. D-D, COE)				
51-54	PASS.	TEE, suction pipe connector ("Y" shape)	3699042	1	.48

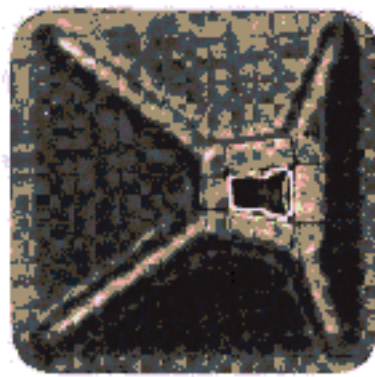
**8.800 SERVICE ACCESSORIES, Auto Maintenance**

ALL	ALL	ANTI-FREEZE, w/s washer (12—6 oz. bottles)	986180		7.20
ALL	ALL	CAROMA (evaporator) (carton of 12)	983715		3.60
ALL	ALL	CLEANER UNIT, sponge (carton of 12)	986225		5.88
ALL	ALL	CLEANER UNIT, spot (12—8 oz. cans)	986075		6.00
ALL	ALL	CLEANER, porcelainize (1 gal.)	986363		No List
ALL	ALL	CLEANER, cooling system (carton of 12)	986052		12.00
ALL	ALL	CLOTH UNIT, polishing (12 cloths)	986077		6.00
ALL	ALL	COMPOUND, valve grinding (36—4 oz. cans)	986078		9.00
ALL	ALL	CREAM, haze (24—8 ounce bottles)	986947		24.00
ALL	ALL	CREAM, porcelainize wash (24—8 oz. bottles)	986176		14.40
ALL	ALL	G. M. RUGLYDE (rubber lubricant) (1 gal.)	986047		3.60
ALL	ALL	LOCK-EASE (lubricant) (12—4 oz. cans)	986434		4.20
ALL	ALL	LUBRICANT, door ease (6 sticks)	986897		2.40
ALL	ALL	OIL UNIT, dripless penetrating (36—4 oz. cans)	986082		9.00
ALL	ALL	POLISH, chrome (12—8 oz. cans)	986084		4.20
ALL	ALL	POLISH AND CLEANER (12—16 oz. cans)	986085		9.00
ALL	ALL	POLISH AND CLEANER, body (1 gal.)	985888		3.15
ALL	ALL	POLISH, porcelainize (24—8 oz. bottles)	986175		108.60
ALL	ALL	POLISH, porcelainize, "FASTAC" (carton of 24)	986961		30.00
ALL	ALL	POWDER UNIT, static eliminator (12 envelopes)	986087		4.80
ALL	ALL	RUST PREVENTIVE, radiator (12—16 oz. cans)	986977		6.00
ALL	ALL	SEAL, lustur No. 1 (12—12 ounce bottles)	986945		40.20
ALL	ALL	SEAL, lustur No. 2 (12—12 ounce bottles)	986946		40.20
ALL	ALL	SEALZIT UNIT, windshield (12—2 oz. bottles)	986199		10.20
ALL	ALL	STOP LEAK UNIT, radiator (12—10 oz. cans)	986088		5.88
ALL	ALL	TIPON KIT, paint (carton of 12)	986959		12.00
ALL	ALL	TIPON KIT, paint (carton of 32)	986958		32.00
ALL	ALL	TIPON KIT, paint (carton of 12)	986990		12.00
ALL	ALL	TIPON KIT, paint (carton of 32)	986991		32.00
ALL	ALL	UNDERCOAT, body (54 gal.)	986359		No List

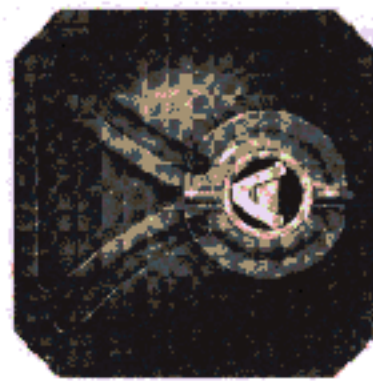
**8.820 JACK—BASE—HANDLE, Auto**

ALL	COMM.	axle type (3000 lb. capacity) (w/handle)	3690652	1	6.80
ALL	PASS.	mech. bumper type (capacity 1200 lbs.)	3691394	1	6.65
ALL	UTILITY	axle type (7000 lb. capacity) (w/handle)	609909	1	8.55





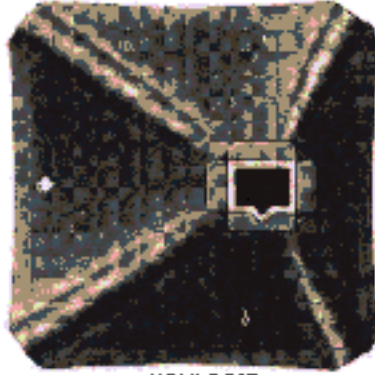
3697800 BASE  
PART OF 3697761 JACK ASSY



3695442 BASE  
PART OF 3696365 JACK ASSY.



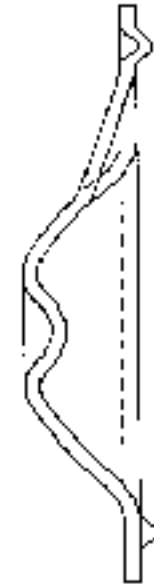
3692330 BASE  
PART OF 3696089 JACK ASSY



5987071 BASE  
PART OF 5691294 JACK ASSY



598441 BASE



SECTION A-A

NOTE: Jack Bases not listed in this catalog may be obtained in direct order to Flint.

38-42	PASS.	BASE (bumper type) (depressed in ctr. $\frac{1}{4}$ deep)	598441	1	.55
ALL	PASS.	BASE (bumper type) (for use w/3691394)	3691707	1	1.12
ALL	COMM.	HANDLE (folding type) (53 extended)	592769	1	.50
40-48	PASS.	HANDLE ( $\frac{5}{16}$ dia. x 20 long)	3653663	1	.33
ALL	PASS.	HANDLE (use w/3691394) (also wheel wrench)	3692251	1	(8.821)

### 8.821 TOOLS, Wheel and Tire

29-33	ALL	WRENCH, wire wheel hub and rim bolt nut	348905	1	.55
37-46	UTILITY	WRENCH, wheel ( $\frac{3}{8}$ hex.)	594729	1	.60
37-54	PASS., COMM.	WRENCH, wheel ( $\frac{3}{4}$ hex.) (also jack handle)	3692251	1	.82
46-53	UTILITY	WRENCH, wheel ( $\frac{15}{16}$ hex.)	3682400	1	.85
54	UTILITY	WRENCH, wheel ( $1\frac{1}{16}$ hex.)	3705532	1	.95
46-54	$\frac{3}{4}$ , 1 TON, UTILITY	IRON, tire	3682420	1	.65
49-54	ALL	UNIT, tool kit w/bug	985362	1	2.90

### 8.845 HEATER, Hot Water, w/Detrolster

NOTE: For Fuse and Fuse Holder use 1220246 listed in the Radio Parts Catalog.

49-53	COMM., UTILITY	(dash)	986248	1	38.41
51-52	PASS.	(air-flow)	986492†	1	
53-54	PASS.	(dash)	986628	1	40.50
53-54	PASS.	(air-flow)	986629	1	74.75
53	COMM., UTILITY	(air-flow)	986709	1	68.25
54	COMM., UTILITY	(airflow)	986895	1	64.75
54	COMM., UTILITY	(recirculating)	986896	1	38.25

†NOTE: Closeout price applies. See Dealer F & A Price Schedule.

### 8.846 HOSE, Heater

ALL	ALL	( $\frac{5}{8}$ I.D.) (approx. 100 ft. roll)	3691292	A.R.	.24 ft
53-54	PASS.	(1 O.D.) (molded "L" shape)	3129468	1	.25

### 8.852 SWITCH—PLATE—KNOB—BRACKET—BLOCK, Hot Water Heater

34-54	ALL	(high, medium and low—w/dash htr.)	3126693	1	1.45
47-54	COMM., UTILITY	(high and low—use w/airflow htr.)	3128267	1	1.25
49-50	PASS.	(w/controls—for use w/airflow heater)	3125584	1	6.25
49-50	PASS.	(for use w/airflow htr.—part of 3125584)	3122018	1	1.25



51-52	PASS.	(w/controls, less knobs—use w/airflow htr.)	3126680	1	5.95
51-52	PASS.	(w/lock plate—part of 3126680)	3129869	1	1.10
53-54	PASS.	(w/controls, less knob—use w/airflow htr.)	3128359	1	8.30
53-54	PASS.	(part of 3128359)	3130005	1	.95
53-54	PASS.	PLATE ("air"—"def"—"temp")	3128366	1	1.15
49	COMM., UTILITY	KNOB, htr. and def. control, plastic (w/set screw) (use w/dash htr.)	3127460	1	.35
50-54	ALL				
51-52	PASS.	KNOB, "TEMP" (ivory)	3129274	1	.10
51-52	PASS.	KNOB, "DEF" (ivory)	3129275	1	(9.779)
51-52	PASS.	KNOB, "AIR" (ivory)	3129273	1	(9.787)
53-54	PASS.	KNOB, air control (black plastic)	3128375	1	(9.787)
53-54	PASS.	KNOB, fan control (black plastic)	3128374	1	(9.787)
53-54	PASS.	KNOB, temp. control (black plastic)	3128376	1	.10
53-54	PASS.	BRACKET (htr. and def. control face plate)	3128372	1	.26
51-52	PASS.	BLOCK, junction	986442†	1	

†NOTE: Closeout price applies. See Dealer P & A Price Schedule.

### 8.854 CORE, Hot Water Heater

35-47	ALL	(Deluxe)	3114410	1	12.40
40-48	PASS.	(w/fittings)	3113562	1	7.10
42-48	PASS.		3115847	1	13.20
40	PASS. (exc. CONV.),				
41-49	SEDAN, SPT. CPE.	(underseat heater)	3128403	1	15.20
47-48	ALL	(use w/dash heater)	3119131	1	15.80
47-52	COMM., UTILITY	(use w/air heater 986104)	3119687	1	16.40
49-52	PASS.	(use w/airflow heater)	3122293	1	16.15
49-52	ALL				
53-54	COMM., UTILITY	(use w/dash heater)	3122121	1	12.60
53-54	PASS.	(use w/dash heater 986628)	3128445	1	13.15
53-54	PASS.	(use w/airflow heater 986629)	3131116	1	15.80
53-54	COMM., UTILITY	(use w/airflow heater 986709, 986895)	3129807	1	14.80
49-52	PASS.	CASE, core (rear) (use w/airflow heater)	3127084	1	4.40
49-52	PASS.	CASE, core (front) (use w/airflow heater)	3122360	1	3.25

### 8.855 MOTOR, Hot Water Heater

37-39	ALL	(Deluxe) (44" wire)	5047449	1	7.60
35-40	ALL	(Super Deluxe htr. w/angle doors)	5047473	1	8.95
35-47	ALL	(Deluxe) (pt. No. stmpd. in case)	5047532	1	7.30
40	ALL	(Deluxe htr. w/angle doors)	5047452	1	7.30
40	PASS. (exc. CONV.),				
41-49	SEDAN, SPT. CPE.	(underseat heater) (pt. No. stmpd. in case)	5047533*	1	11.25
41	ALL	(Super Deluxe) (5047472 stmpd.)	5047472	1	8.95
42-48	PASS.	(pt. No. stmpd. in case)	5047534	1	11.25
47-48	ALL	(use w/dash heater) (5047601 stmpd.)	5047601	1	8.95
47-54	COMM., UTILITY	(use w/air heater) (5047709 stmpd.)	5047709	1	13.50
49-54	ALL	(use w/dash htr.) (pt. No. stmpd. in case)	5047684	1	10.20
49-52	PASS.	(use w/airflow heater) (pt. No. stmpd. in case)	5047708†	1	11.60
53-54	PASS.	(use w/airflow heater) (5047714 stmpd.)	5047714	1	11.15

\*NOTE: When using 5047533 on 1940 models, use FAN ASSY. 3114959.

†NOTE: On 1st design 1949 models install fan with  $\frac{1}{8}$ " hub I.D.

### 8.857 FAN, Hot Water Heater

40	PASS. (exc. CONV.),				
41-49	SEDAN, SPT. CPE.	(underseat heater) (use w/986244-370)	3114959	1	.78
46-48	ALL	(3 $\frac{1}{4}$ " dia.)	3118913	1	(9.779)
47-53	COMM., UTIL.	(use w/airflow heater) (3 $\frac{1}{4}$ " dia.)	3128926	1	1.40
47-48	ALL	(use w/dash heater)	3119354	1	.78
49	PASS. (1st design)	(use w/airflow heater) ( $\frac{1}{8}$ " I.D.)	3122063	1	1.68
49-52	PASS. (2nd design)	(use w/airflow heater) ( $\frac{3}{8}$ " I.D.)	3128928	1	1.45
49-54	ALL	(use w/hot water dash heater)	3122116	1	.85
53-54	PASS.	(use w/airflow heater)	3131441	1	1.40

50-52	PASS.....	NUT, retaining (push-on type) (use w/fans w/out set screws).....	3127356	1	.01
52-53	PASS.				
53	COMM., UTIL.....	NUT, retaining (use w/fans w/out set screws).	3130095	1	.01
<b>8.866 NIPPLE, Hot Water Heater</b>					
29-54	ALL.....	heater, coupling (3/8).....	3106066	A.R.	.20
<b>8.873 COMPASS UNIT, Auto</b>					
54	PASS.....	(with illuminating lamp).....	986995	1	5.95
<b>8.890 LAMP, Underhood</b>					
49-52	ALL (exc. D-D, COE).....		986250†	1	
53	ALL (exc. D-D, COE).....		986642	1	2.25
†NOTE: Closeout price applies. See Dealer P&A Price Schedule.					
<b>8.891 DISPENSER, Tissue</b>					
53	PASS.....		986672	1	3.50
<b>8.895 SHAVER—HOOK UNIT</b>					
ALL	ALL.....	SHAVER, electric (car and home).....	987090	1	29.50
50-53	PASS. (exc. CONV., B-A, STA. WAG., SDL.).....	HOOK UNIT, garment (card of 12).....	986537†	A.R.	
†NOTE: Closeout price applies. See Dealer P & A Price Schedule.					
<b>8.898 LAMP, Rear Luggage Compartment</b>					
53	PASS. (exc. STA. WAG., SDL.).....		986625	1	1.85

# STANDARD PARTS LISTING

## 8.899 BALLS

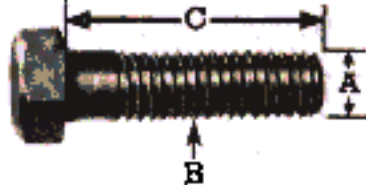


A—Diameter

	A		
7002120	$\frac{5}{32}$ "	—Aluminum	(3.826)
1875237	$\frac{5}{32}$ "	—Stainless Steel	(3.862)
7002117	$\frac{3}{16}$ "	—Stainless Steel	(3.825)
104918	$\frac{1}{4}$ "	—Steel	5/.12
266800	$\frac{3}{8}$ "	—Stainless Steel	(6.844)
104919	$\frac{3}{16}$ "	—Steel	5/.12
119282	$\frac{1}{2}$ "	—Steel	5/.12
147489	$\frac{3}{8}$ "	—Steel	5/.12
453593	$\frac{3}{8}$ "	—Steel	10/.34
147491	$\frac{1}{2}$ "	—Steel	5/.20
169158	$\frac{1}{2}$ "	—Steel	.10

## 8.900 HEXAGON HEAD BOLTS (Cap Screws)

(Cadmium Plated)

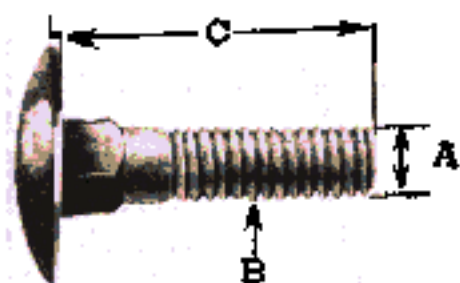


	A—Diameter			B—Threads per inch	C—Length
	A	B	C		
754381	$\frac{1}{4}$ "	—20	$\times \frac{3}{8}$ "		(0.864)
180016	$\frac{1}{4}$ "	—20	$\times \frac{1}{2}$ "		100/2.60
180018	$\frac{1}{4}$ "	—20	$\times \frac{5}{8}$ "		100/2.88
180020	$\frac{1}{4}$ "	—20	$\times \frac{3}{4}$ "		100/2.88
180021	$\frac{1}{4}$ "	—20	$\times \frac{7}{8}$ "		100/3.14
180022	$\frac{1}{4}$ "	—20	$\times 1"$		100/3.40
180024	$\frac{1}{4}$ "	—20	$\times 1\frac{1}{4}"$		100/3.66
180034	$\frac{1}{4}$ "	—20	$\times 1\frac{1}{2}"$		100/4.18
180042	$\frac{1}{4}$ "	—20	$\times 1\frac{3}{4}"$		100/4.70
180044	$\frac{1}{4}$ "	—20	$\times 2"$		100/5.22
180046	$\frac{1}{4}$ "	—20	$\times 2\frac{1}{4}"$		100/5.50
180048	$\frac{1}{4}$ "	—20	$\times 2\frac{1}{2}"$		100/6.02
180052	$\frac{1}{4}$ "	—20	$\times 3"$		100/6.80
189293	$\frac{1}{4}$ "	—20	$\times 3\frac{1}{2}"$		100/8.36
181561	$\frac{1}{4}$ "	—28	$\times \frac{1}{2}"$		100/2.62
181003	$\frac{1}{4}$ "	—28	$\times \frac{5}{8}"$		100/2.88
181566	$\frac{1}{4}$ "	—28	$\times \frac{3}{4}"$		100/2.88
181567	$\frac{1}{4}$ "	—28	$\times \frac{1}{2}"$		100/3.14
181568	$\frac{1}{4}$ "	—28	$\times 1"$		100/3.40
181573	$\frac{1}{4}$ "	—28	$\times 1\frac{1}{4}"$		100/3.66
181575	$\frac{1}{4}$ "	—28	$\times 1\frac{1}{2}"$		100/4.18
180073	$\frac{5}{16}$ "	—18	$\times \frac{1}{2}"$		100/3.66
180075	$\frac{5}{16}$ "	—18	$\times \frac{5}{8}"$		100/3.66
180077	$\frac{5}{16}$ "	—18	$\times \frac{3}{4}"$		100/3.92
180078	$\frac{5}{16}$ "	—18	$\times \frac{7}{8}"$		100/4.18
180079	$\frac{5}{16}$ "	—18	$\times 1"$		100/4.48
180081	$\frac{5}{16}$ "	—18	$\times 1\frac{1}{4}"$		100/4.98
180083	$\frac{5}{16}$ "	—18	$\times 1\frac{1}{2}"$		100/5.48
180085	$\frac{5}{16}$ "	—18	$\times 1\frac{3}{4}"$		100/6.02
180087	$\frac{5}{16}$ "	—18	$\times 2"$		50/3.14
180089	$\frac{5}{16}$ "	—18	$\times 2\frac{1}{4}"$		50/3.40
180091	$\frac{5}{16}$ "	—18	$\times 2\frac{1}{2}"$		50/3.94
180113	$\frac{5}{16}$ "	—18	$\times 3"$		50/4.46
187147	$\frac{5}{16}$ "	—18	$\times 3\frac{1}{2}"$		50/5.74
181567	$\frac{5}{16}$ "	—24	$\times \frac{5}{8}"$		100/3.40
181591	$\frac{3}{10}$ "	—24	$\times \frac{1}{2}"$		100/3.66
181593	$\frac{5}{16}$ "	—24	$\times \frac{3}{8}"$		100/3.66

181595	$\frac{5}{16}$ "	—24	$\times \frac{3}{4}"$		100/3.92
181596	$\frac{3}{16}$ "	—24	$\times \frac{1}{8}"$		100/4.18
181608	$\frac{5}{16}$ "	—24	$\times 1"$		100/4.46
181610	$\frac{3}{16}$ "	—24	$\times 1\frac{1}{4}"$		100/4.98
181614	$\frac{5}{16}$ "	—24	$\times 1\frac{1}{2}"$		100/5.48
181618	$\frac{5}{16}$ "	—24	$\times 1\frac{3}{4}"$		100/6.02
181620	$\frac{3}{16}$ "	—24	$\times 2"$		50/3.14
181621	$\frac{5}{16}$ "	—24	$\times 2\frac{1}{4}"$		50/3.40
181622	$\frac{5}{16}$ "	—24	$\times 2\frac{1}{2}"$		50/3.94
180116	$\frac{3}{8}$ "	—16	$\times \frac{1}{8}"$		100/4.46
180118	$\frac{3}{8}$ "	—16	$\times \frac{5}{8}"$		100/4.70
180120	$\frac{3}{8}$ "	—16	$\times \frac{3}{4}"$		100/4.98
180121	$\frac{3}{8}$ "	—16	$\times \frac{7}{8}"$		100/5.22
180122	$\frac{3}{8}$ "	—16	$\times 1"$		100/5.48
180124	$\frac{3}{8}$ "	—16	$\times 1\frac{1}{4}"$		100/6.02
180126	$\frac{3}{8}$ "	—16	$\times 1\frac{1}{2}"$		50/3.40
180128	$\frac{3}{8}$ "	—16	$\times 1\frac{3}{4}"$		50/3.66
180130	$\frac{3}{8}$ "	—16	$\times 2"$		50/3.94
180132	$\frac{3}{8}$ "	—16	$\times 2\frac{1}{4}"$		50/4.46
180134	$\frac{3}{8}$ "	—16	$\times 2\frac{1}{2}"$		50/4.98
180138	$\frac{3}{8}$ "	—16	$\times 3"$		50/6.28
189304	$\frac{3}{8}$ "	—16	$\times 3\frac{1}{4}"$		.15
186284	$\frac{3}{8}$ "	—16	$\times 3\frac{3}{4}"$		(6.635)
450517	$\frac{3}{8}$ "	—16	$\times 4\frac{1}{4}"$		(6.635)
181629	$\frac{3}{8}$ "	—24	$\times \frac{3}{8}"$		100/4.70
181635	$\frac{3}{8}$ "	—24	$\times \frac{3}{4}"$		100/4.98
181636	$\frac{3}{8}$ "	—24	$\times \frac{7}{8}"$		100/5.22
181637	$\frac{3}{8}$ "	—24	$\times 1"$		100/5.48
181639	$\frac{3}{8}$ "	—24	$\times 1\frac{1}{4}"$		100/6.02
181643	$\frac{3}{8}$ "	—24	$\times 1\frac{1}{2}"$		50/3.40
181646	$\frac{3}{8}$ "	—24	$\times 1\frac{3}{4}"$		50/3.66
181648	$\frac{3}{8}$ "	—24	$\times 2"$		50/3.94
181649	$\frac{3}{8}$ "	—24	$\times 2\frac{1}{4}"$		50/4.46
181650	$\frac{3}{8}$ "	—24	$\times 2\frac{1}{2}"$		50/4.98
181652	$\frac{3}{8}$ "	—24	$\times 3"$		50/6.28
187044	$\frac{3}{8}$ "	—24	$\times 3\frac{1}{2}"$		25/3.66
180144	$\frac{1}{16}$ "	—14	$\times \frac{1}{8}"$		50/3.66
180145	$\frac{1}{16}$ "	—14	$\times 1"$		50/3.94
180147	$\frac{1}{16}$ "	—14	$\times 1\frac{1}{4}"$		50/4.18
180148	$\frac{1}{16}$ "	—14	$\times 1\frac{1}{2}"$		50/4.46
180151	$\frac{1}{16}$ "	—14	$\times 1\frac{3}{4}"$		50/4.98
180153	$\frac{1}{16}$ "	—14	$\times 2"$		50/5.50
180155	$\frac{1}{16}$ "	—14	$\times 2\frac{1}{4}"$		25/3.14
180157	$\frac{1}{16}$ "	—14	$\times 2\frac{1}{2}"$		25/3.40
180160	$\frac{1}{16}$ "	—14	$\times 3"$		25/3.94
181659	$\frac{1}{16}$ "	—20	$\times \frac{3}{4}"$		100/7.32
181665	$\frac{1}{16}$ "	—20	$\times \frac{7}{8}"$		100/7.32
181666	$\frac{1}{16}$ "	—20	$\times 1"$		50/3.94
181668	$\frac{1}{16}$ "	—20	$\times 1\frac{1}{4}"$		50/4.18
181670	$\frac{1}{16}$ "	—20	$\times 1\frac{1}{2}"$		50/4.46
181672	$\frac{1}{16}$ "	—20	$\times 1\frac{3}{4}"$		50/4.98
181674	$\frac{1}{16}$ "	—20	$\times 2"$		50/5.50
181675	$\frac{1}{16}$ "	—20	$\times 2\frac{1}{4}"$		25/3.14
181676	$\frac{1}{16}$ "	—20	$\times 2\frac{1}{2}"$		25/3.40
181678	$\frac{1}{16}$ "	—20	$\times 3"$		25/3.94
181680	$\frac{1}{16}$ "	—20	$\times 3\frac{1}{2}"$		25/4.46
181682	$\frac{1}{16}$ "	—20	$\times 4"$		20/4.18
187612	$\frac{1}{16}$ "	—20	$\times 4\frac{1}{2}"$		20/5.22
180796	$\frac{1}{16}$ "	—20	$\times 5"$		20/6.26
180172	$\frac{1}{2}$ "	—13	$\times \frac{1}{8}"$		50/5.74
180173	$\frac{1}{2}$ "	—13	$\times 1"$		50/6.02
180175	$\frac{1}{2}$ "	—13	$\times 1\frac{1}{4}"$		50/6.54
180177	$\frac{1}{2}$ "	—13	$\times 1\frac{1}{2}"$		50/7.06
180179	$\frac{1}{2}$ "	—13	$\times 1\frac{3}{4}"$		25/3.94
180181	$\frac{1}{2}$ "	—13	$\times 2"$		25/4.18
122466	$\frac{1}{2}$ "	—13	$\times 2\frac{1}{4}"$		25/4.46
181694	$\frac{1}{2}$ "	—20	$\times \frac{1}{8}"$		50/5.74

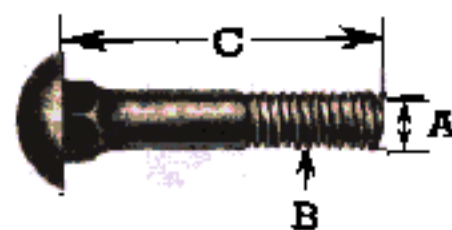
181696	1/2"-20 x 1"	50/6.02
181698	1/2"-20 x 1 1/4"	50/6.54
181700	1/2"-20 x 1 1/2"	50/7.06
181702	1/2"-20 x 1 3/4"	25/3.94
181705	1/2"-20 x 2"	25/4.18
181707	1/2"-20 x 2 1/4"	25/4.46
181709	1/2"-20 x 2 1/2"	25/4.70
181711	1/2"-20 x 3"	25/5.22
181713	1/2"-20 x 3 1/2"	20/4.70
180201	3/16"-12 x 1 1/4"	25/4.98
180207	3/16"-12 x 1 1/2"	25/5.50
180212	3/16"-12 x 1 3/4"	25/5.74
180218	3/16"-12 x 2"	25/6.02
180229	3/16"-12 x 2 1/4"	25/6.28
180231	3/16"-12 x 2 1/2"	25/6.80
180236	3/16"-12 x 3"	20/6.28
181725	3/16"-18 x 1 1/4"	25/4.98
181727	3/16"-18 x 1 1/2"	25/5.50
181729	3/16"-18 x 1 3/4"	25/5.74
181731	3/16"-18 x 2"	25/6.02
181732	3/16"-18 x 2 1/4"	25/6.28
181733	3/16"-18 x 2 1/2"	25/6.80
181735	3/16"-18 x 3"	20/6.28
181743	3/16"-18 x 3 1/2"	10/3.66
180255	5/8"-11 x 1 1/4"	25/5.50
180269	5/8"-11 x 1 1/2"	25/5.74
180272	5/8"-11 x 1 3/4"	25/6.28
180279	5/8"-11 x 2"	20/5.22

**8.902 STEP BOLTS (Cadmium)**



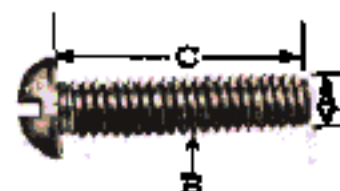
A—Diameter	B—Threads per inch	C—Length
A	B	C
128307	No. 10—24 x 5/8"	100/1.84
128381	1/4"—20 x 1"	100/2.62
128390	1/4"—20 x 1 1/4"	100/2.88
128398	1/4"—20 x 1 1/2"	50/1.56
128402	1/4"—20 x 1 3/4"	50/1.84
128624	1/4"—20 x 2"	50/2.10
128628	1/4"—20 x 2 1/4"	50/2.10
128632	1/4"—20 x 2 1/2"	50/2.36
128640	1/4"—20 x 3"	50/2.62
128417	3/16"—18 x 1 1/8"	50/2.36
128421	3/16"—18 x 1"	50/2.62
128430	3/16"—18 x 1 1/4"	50/2.62
128439	3/16"—18 x 1 1/2"	50/2.88
120232	3/16"—18 x 1 3/4"	50/3.14
128661	3/16"—18 x 2"	25/1.84
128664	3/16"—18 x 2 1/4"	25/1.84
128667	3/16"—18 x 2 1/2"	25/2.10
128676	3/16"—18 x 3"	25/2.36
128685	3/16"—18 x 3 1/2"	25/2.62
128480	3/8"—16 x 1 1/2"	25/2.36

**8.903 ROUND HEAD CARRIAGE BOLTS (Cadmium Plated)**



A—Diameter	B—Threads per inch	C—Length
A	B	C
126193	No. 10—24 x 5/8"	100/1.32
126335	1/4"—20 x 1 1/2"	100/2.88
126339	1/4"—20 x 1 3/4"	100/3.14
126344	1/4"—20 x 2"	100/3.40
126348	1/4"—20 x 2 1/4"	50/1.84
126609	1/4"—20 x 2 1/2"	50/2.10
126358	3/16"—18 x 1"	50/1.84
120230	3/16"—18 x 1 1/4"	50/2.10
126373	3/16"—18 x 1 1/2"	50/2.36
120231	3/16"—18 x 1 3/4"	50/2.62
126380	3/16"—18 x 2"	50/2.62
126385	3/16"—18 x 2 1/4"	50/2.88
126652	3/16"—18 x 2 1/2"	50/3.14
126662	3/16"—18 x 3"	50/3.66
126987	3/16"—18 x 9"	10/2.62
110299	3/16"—18 x 10 1/2"	10/3.14
109392	3/16"—18 x 11 1/8"	10/3.66
120915	3/8"—16 x 1"	50/2.62
126402	3/8"—16 x 1 1/4"	50/2.88
126411	3/8"—16 x 1 1/2"	50/3.14
126416	3/8"—16 x 1 3/4"	50/3.40
126419	3/8"—16 x 2"	50/3.66
126422	3/8"—16 x 2 1/4"	25/2.10
126696	3/8"—16 x 2 1/2"	25/2.36
126705	3/8"—16 x 3"	25/2.62
126715	3/8"—16 x 3 1/2"	25/2.88
126725	3/8"—16 x 4"	25/3.14
458394	3/8"—16 x 6 1/2"	(17.447)
126485	1/2"—13 x 1 1/4"	50/5.22
120917	1/2"—13 x 1 1/8"	50/5.74

**8.904 ROUND SLOTTED HEAD BOLTS (Steel Bolts) (Cadmium Plated)**



A—Diameter	B—Threads per inch	C—Length
A	B	C
132688	No. 6—32 x 1/4"	250/1.32
132696	No. 6—32 x 3/8"	250/1.32
132705	No. 6—32 x 1/2"	250/1.32
129028	No. 6—32 x 5/8"	250/1.56
132711	No. 6—32 x 3/4"	250/1.56
132715	No. 6—32 x 7/8"	250/1.84
132719	No. 6—32 x 1"	250/1.84
122159	No. 8—32 x 1/4"	250 1.56
121832	No. 8—32 x 3/8"	250/1.56
132760	No. 8—32 x 1/2"	250/1.84
132764	No. 8—32 x 5/8"	250/1.84
132821	No. 10—24 x 1/4"	250/1.84
132830	No. 10—24 x 3/8"	250/1.84



120221	No. 10-24 x 1/2"	250/2.10
120222	No. 10-24 x 5/8"	250/2.36
120910	No. 10-24 x 3/4"	250/2.62
132844	No. 10-24 x 7/8"	250/2.62
132848	No. 10-24 x 1"	250/2.88
132852	No. 10-24 x 1 1/4"	250/3.14
132892	No. 10-32 x 1/4"	250/1.84
132900	No. 10-32 x 3/8"	250/1.84
132908	No. 10-32 x 1/2"	250/2.10
132911	No. 10-32 x 5/8"	250/2.36
132915	No. 10-32 x 3/4"	250/2.62
132919	No. 10-32 x 7/8"	250/2.62
132923	No. 10-32 x 1"	250/2.88
132926	No. 10-32 x 1 1/4"	250/3.14
132930	No. 10-32 x 1 1/2"	250/3.66
132934	No. 10-32 x 1 3/4"	100/1.84
132938	No. 10-32 x 2"	100/2.10
132942	No. 10-32 x 2 1/4"	100/2.36
132947	No. 10-32 x 2 1/2"	100/2.62
132969	No. 12-24 x 3/8"	250/2.62
121742	No. 12-24 x 1/2"	250/2.62
132979	No. 12-24 x 5/8"	250/2.88
132982	No. 12-24 x 3/4"	250/3.14
132985	No. 12-24 x 7/8"	250/3.40
132988	No. 12-24 x 1"	250/3.66
131378	1/4"-20 x 3/8"	100/1.32
120628	1/4"-20 x 1/2"	100/1.56
120583	1/4"-20 x 5/8"	100/1.56
133043	1/4"-20 x 3/4"	100/1.84
133046	1/4"-20 x 7/8"	100/1.84
133049	1/4"-20 x 1"	100/2.10
133053	1/4"-20 x 1 1/4"	100/2.10
133056	1/4"-20 x 1 1/2"	100/2.36
133058	1/4"-20 x 1 3/4"	100/2.62
133063	1/4"-20 x 2"	100/2.88
143317	1/2"-28 x 5/8"	100/1.56
131394	5/16"-18 x 1/2"	100/2.36
133094	5/16"-18 x 3/4"	100/2.62
133102	5/16"-18 x 1"	100/3.14
133106	5/16"-18 x 1 1/4"	100/3.40

**8.907 FILLISTER SLOTTED HEAD BOLTS (Cadmium Plated)**



A—Diameter	B—Threads per inch	C—Length
A	B	C
131890	No. 6-32 x 3/8"	100/.80
131919	No. 6-32 x 1"	100/.80
131954	No. 8-32 x 1/4"	100/.80
131963	No. 8-32 x 5/8"	100/.80
131970	No. 8-32 x 1/2"	100/.80
131979	No. 8-32 x 3/4"	100/1.04
131987	No. 8-32 x 1"	100/1.04
132046	No. 10-24 x 5/8"	100/1.04
110491	No. 10-24 x 1"	.02
132096	No. 10-32 x 1/4"	100/.80
132105	No. 10-32 x 3/8"	100/.80
120216	No. 10-32 x 1/2"	100 1.04
132119	No. 10-32 x 5/8"	100/1.04
131238	1/4"-20 x 3/8"	100/1.32
132255	1/4"-20 x 1/2"	100/1.56
132259	1/4"-20 x 5/8"	100/1.56
132264	1/4"-20 x 3/4"	100/1.84

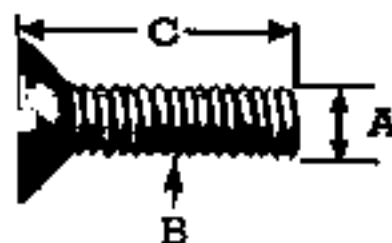
132268	1/4"-20 x 7/8"	100/1.84
132273	1/4"-20 x 1"	100/2.10

**FILLISTER HEAD BOLT, With Lock Washer**



431791	1/4"-20 x 3/16" Cadmium	100/3.94
--------	-------------------------	----------

**8.908 FLAT SLOTTED HEAD BOLTS (Machine Screws) (Cadmium Plated)**



A—Diameter	B—Threads per inch	C—Length
A	B	C
133414	No. 6-32 x 1/4"	250/1.32
133423	No. 6-32 x 3/8"	250/1.32
133491	No. 8-32 x 1/8"	250/1.56
133495	No. 8-32 x 3/8"	250/1.84
133556	No. 10-24 x 5/8"	250/1.84
123854	No. 10-24 x 1/2"	250/2.10
133567	No. 10-24 x 5/8"	250/2.36
120620	No. 10-24 x 3/4"	250/2.62
133573	No. 10-24 x 7/8"	250/2.62
120621	No. 10-24 x 1"	250/2.88
120691	No. 10-24 x 1 1/4"	250/3.14
133583	No. 10-24 x 1 1/2"	250/3.66
133587	No. 10-24 x 1 3/4"	100/1.84
133634	No. 10-32 x 1/2"	250/2.10
120626	No. 12-24 x 5/8"	250/2.88
133767	1/4"-20 x 1/2"	100/1.56
120585	1/4"-20 x 5/8"	100 1.56
120697	1/4"-20 x 3/4"	100/1.84
120629	1/4"-20 x 7/8"	100/1.84
120657	1/4"-20 x 1"	100/2.10
133781	1/4"-20 x 1 1/4"	100/2.10
133784	1/4"-20 x 1 1/2"	100/2.36
133789	1/4"-20 x 1 3/4"	100/2.62
133793	1/4"-20 x 2"	100/2.88
133797	1/4"-20 x 2 1/4"	100/3.40
133802	1/4"-20 x 2 1/2"	100/3.66
133812	1/4"-20 x 3"	100/4.46
133822	5/16"-18 x 5/8"	250/5.74

**8.909 OVAL SLOTTED HEAD BOLT**

134417	1/4"-20 x 1/2" Chrome	10/38
--------	-----------------------	-------

**8.915 HEXAGON NUTS (Cadmium Plated)**



	A—Size		B—Threads per inch
	A	B	
134530	No. 6—32		100/.52
120622	No. 8—32		100/.52
120361	No. 10—24		100/.52
120614	No. 10—32		100/.52
121743	No. 12—24		100/.80
188445	No. 12—32		100/.80
120375	1/4"—20		100/1.84
120367	1/4"—28		100/1.84
120376	5/16"—18		100/2.08
121917	5/16"—24		100/2.10
120377	3/8"—16		100/2.88
120369	3/8"—24		100/2.88
124573	1/8"—14		50/2.08
120370	1/16"—20		50/2.08
127855	1/16"—20 (Thick)		50/2.36
120378	1/2"—13		50/2.60
120371	1/2"—20		50/2.60
125653	1/2"—20 (Thick)		50/3.40
124583	9/16"—12		50/3.66
124634	9/16"—18		50/3.66
143417	9/16"—18 (Thick)		25/2.82
124589	5/8"—11		50/4.98
122021	5/8"—19		50/4.98
128949	3/4"—16 (Thick)		25/6.26

**8.916 CHECK NUTS (Lock Nuts) (Jam Nuts) (Cadmium Plated)**



	A—Size		B—Threads per inch
	A	B	
124818	1/4"—20		100/1.56
120613	1/4"—28		100/1.56
124824	5/16"—18		100/1.84
124920	5/16"—24		100/1.84
124829	3/8"—16		100/2.62
124925	3/8"—24		100/2.62
124834	1/2"—14		100/3.40
124929	1/2"—20		100/3.40
120236	1/2"—13		100/4.18
124934	1/2"—20		100/4.18
124843	9/16"—12		50/3.40
124939	9/16"—18		50/3.40
124847	5/8"—11		50/4.46
124944	5/8"—18		50/4.46
124949	3/4"—16		50/6.80

**8.917 SLOTTED NUTS (Castellated Nuts) (Cadmium Plated)**



	A—Size		B—Threads per inch
	A	B	
125215	1/4"—28		100/2.36
125224	5/16"—24		100/2.88
125339	5/16"—24 (Thick)		100/3.14
125127	3/8"—16		100/3.40
125233	3/8"—24 (Thin)		100/3.40
121728	1/16"—20		50/2.36
125357	1/16"—20 (Thick)		50/2.62
125250	1/2"—20 (Thin)		50/2.88
125366	1/2"—20 (Thick)		50/3.66
123012	3/16"—18 (Thick)		50/5.22
125384	3/8"—18 (Thick)		25/4.18
123048	3/4"—16 (Thick)		25/6.26
125411	1"—14 (Thick)		10/5.22

**LOCK NUTS (Castellated Nuts)**



	A—Size		B—Threads per inch
	A	B	
126012	1/16"—14 Cadmium		50/2.62
126015	1/2"—13 Cadmium		50/3.40

**8.919 BLIND NUTS (Acorn Nuts)**



	A—Size		B—Threads per inch
	A	B	
131502	3/8"—24 Cadmium		10/.80
131436	1/4"—20 Nickel		.15

**8.920 WING NUTS**



	A—Size		B—Threads per inch
	A	B	
120240	No. 10—32 Plain		17/.80
126177	1/4"—20 Cadmium		17/.80

**8.921 STAMPED NUTS (Pal Nuts)**



**A—Size B—Threads per inch**

**A B**

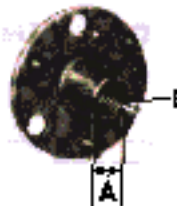
107814	1/4"–20 Cadmium.....	100/1.04
107823	3/8"–24 Cadmium.....	500/5.22

**SPEED NUTS**



177941	1/8" Rod, Plain.....	50/.32
--------	----------------------	--------

**8.925 TEE NUTS**

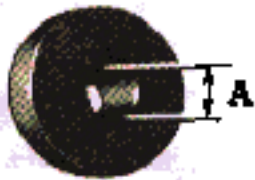


**A—Size B—Threads per inch**

**A B**

125602	1/4"–20 x 1/16" Plain (1/4 Dia. Base)	25/.90
--------	---------------------------------------	--------

**8.927 FELT WASHERS**



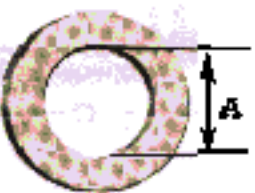
**A—Size**

431533	1/4" Felt.....	10/.52
--------	----------------	--------

**8.928 SPRING WASHERS**

413329	1/2" I.D. x 3/4" O.D.....	.02
--------	---------------------------	-----

**8.929 PLAIN WASHERS (Cadmium)**



**A—Size**

131014	1/8" (No. 6).....	1000/2.36
131015	3/16" (Small) (No. 8).....	1000/2.62

120391	3/16" (Large) (No. 10).....	1000/4.46
120392	1/4" (Small).....	1000/6.28
120386	5/16" (Large).....	500/5.48
120393	5/16" (Small).....	500/4.18
120387	3/8" (Large).....	500/6.26
120394	3/8" (Small).....	500/5.22
120388	1/2" (Large).....	250/5.22
120395	1/2" (Small).....	250/3.66
120389	1/2" (Large).....	250/7.84
120396	1/2" (Small).....	250/4.18
120390	5/16" (Large).....	125/6.52
121458	5/16" (Small).....	125/3.14
131016	5/8" (Small).....	125/6.26
131017	11/16" (Small).....	125/9.95

**8.931 LOCKWASHERS (Cadmium)**



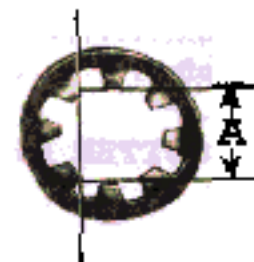
**A—Size B—Thickness**

**A B**

131044	No. 6 (Med.).....	1000/2.10
121841	No. 8 (Med.).....	1000/2.10
120217	No. 10 (Med.).....	1000/2.10
121744	No. 12.....	1000/2.62
120380	1/4" (Med.).....	1000/3.66
120638	5/16" (Heavy).....	500/3.40
120382	3/8" (Med.).....	500/3.94
131099	3/8" (Heavy).....	500/4.98
120383	1/2" (Med.).....	250/3.14
131100	1/2" (Heavy).....	250/3.94
131101	1/2" (Heavy).....	250/6.02
120898	5/16" (Med.).....	125/2.88
131139	5/16" (Heavy).....	125/3.92
121574	5/8" (Med.).....	125/3.94
131140	5/8" (Heavy).....	125/4.98
131141	11/16" (Heavy).....	125/6.02
131046	3/4" (Med.).....	50/2.88

**8.932 TOOTH LOCKWASHERS (Cadmium)**

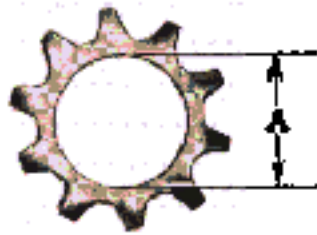
**INTERNAL TOOTH**



**A—Size**

138530	No. 8.....	100/.80
121801	No. 10.....	100/.80
120423	1/2".....	100/.80
138538	5/16".....	100/1.04
138542	3/8".....	100/1.32
131718	1/2".....	100/1.56
138549	1/2".....	100/2.10
138553	5/16".....	100/2.88
138557	5/8".....	100/3.40
141707	11/16".....	100/4.18

**EXTERNAL TOOTH**



**A—Size**

<b>A</b>		
121752	No. 8.....	100/.80
138479	No. 10.....	100/.80
121753	1/4".....	100/.80
138485	5/16".....	100/1.04
138489	3/8".....	100/1.32
136857	1/2".....	100/1.56
138502	5/8".....	100/3.40

**COUNTERSUNK EXTERNAL**



**A—Size**

<b>A</b>		
138597	No. 10.....	100/1.04
138604	1/4".....	100/1.56
134512	5/16".....	100/1.84

**8.934 RETAINER SPRINGS**



**A—Groove Diameter**

<b>A</b>		
142582	For 5/16" Dia. Shaft.....	.01
148147	For 3/16" Dia. Shaft.....	.01
148148	For 1/4" Dia. Shaft.....	.02
148149	For 5/8" Dia. Shaft.....	.01
148150	For 3/8" Dia. Shaft.....	.02
142591	For 1 1/16" Dia. Shaft.....	.03

**8.938 COTTER PINS**

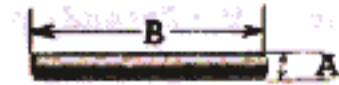


**A—Diameter B—Length**

<b>A B</b>		
103361	1/16" x 1/2".....	1000/1.32
103363	1/16" x 1".....	1000/2.10
103364	1/16" x 1 1/4".....	1000/2.36
107762	1/8" x 5/8".....	1000/2.36
103374	1/32" x 1".....	1000/2.62
103376	5/64" x 1 1/2".....	1000/3.66
103383	1/8" x 1 1/2".....	1000/2.36
103385	1/8" x 1".....	500/2.10

103387	1/8" x 1 1/2".....	500/2.88
103389	1/8" x 2".....	500/3.40
103407	3/16" x 1".....	500/3.94
103411	3/16" x 2".....	250/3.40

**8.939 STRAIGHT PINS**



**A—Diameter B—Length**

<b>A B</b>		
103677	3/16" x 3/4".....	10/.38
110732	3/16" x 3/8".....	.15
103679	3/16" x 1".....	.10
110757	1/8" x 1 1/2".....	10/.38
453676	1/8" x 1".....	10/.38
455348	3/16" x 1/4".....	10/.38
454779	3/16" x 3/8".....	10/.38
103723	3/16" x 7/8".....	5/.25
103728	3/16" x 1 1/4".....	5/.30

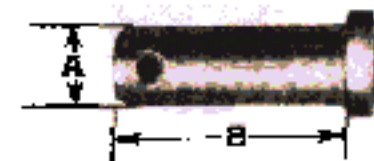
**8.940 GROOVE PINS (Zinc)**



**A—Diameter B—Length**

<b>A B</b>		
442861	5/16" x 5/8" (Taper).....	.05
142359	3/16" x 1" (Taper).....	.05
447131	5/16" x 1 5/8" (Taper).....	.05
142358	1/4" x 1 1/2" (Taper).....	.06

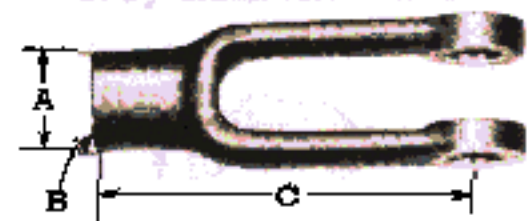
**8.942 CLEVIS PINS (Cadmium)**



**A—Diameter B—Length**

<b>A B</b>		
138083	1/4" x 3/4".....	17/.58
121741	5/16" x 21/32" (Hardened).....	9/.58
138084	3/8" x 1".....	9/.58

**8.946 CLEVIS**



**A—Diameter B—Threads per inch C—Length**

<b>A B C</b>		
116835	15/16"—24 x 1 15/16".....	5/1.32
104038	5/8"—24 x 2 1/8".....	4/1.58
104039	1/2"—20 x 3".....	2/1.26



**8.950 PIPE CLIPS**



Strap  
Type

Push-Hook  
Type

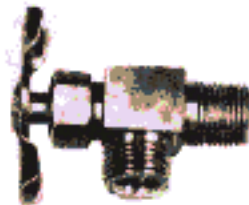
120521	1/4" Strap, Bolt-on Type.....	25/.42
148129	1/4" Hook, Push-in Type.....	8/.42

**8.951 DRAIN AND SHUT-OFF COCKS**



Type B

Type C



Type D

Type E

120842	1/8" Type B (Length Closed 1 1/4")	5/2.72
134519	1/8" Type C (Length Closed 1 1/8")	5/1.64
110293	1/8" Pipe Thread; 1/16"-24 Nut Thread Type E Ball Sleeve...	5/2.72
120899	1/8" Pipe Thread; 1/2"-24 Nut Thread Type D Ball Sleeve...	5/3.80

NOTE: For 1/4" Type C, see Group 1.229.

**8.952 COPPER-ASBESTOS GASKETS**



A—Size

105450	1/16".....	10/.26
--------	------------	--------

**8.960 WOODRUFF KEYS**



A—Width B—Diameter

106749	1/8" x 1/2" No. 3.....	10/.18
103905	1/8" x 5/8" No. 5.....	10/.18

106750	5/16" x 5/8" No. 6.....	10/.32
124548	5/16" x 3/4" No. 8.....	20/.62
106751	3/16" x 3/4" No. 9.....	10/.32
103907	3/16" x 1/2" No. 11.....	10/.42
103462	5/16" x 1" No. 13.....	10/.48
112139	1/4" x 3/4" A.....	10/.52

**8.962 RUBBER HOSE**

601585	5/8" I.D. sold only in 50 ft. rolls...	5.58
601607	1/2" I.D. sold only in 50 ft. rolls...	5.58
604041	3/4" I.D. x 72" long.....	1.11
609863	1 1/2" I.D. sold only in 10 ft. rolls..	4.03

**8.963 TUBE AND PIPE FITTINGS**

**BALL SLEEVE FITTINGS**



Nut

Sleeve

Union



Elbow

Connector

3 Way Tee

		Tubing Size	Nut Threads	Pipe Threads	
121220	Nut.....	1/8"	5/16"-24		17/.94
120487	Nut.....	3/16"	3/8"-24		17/.94
114627	Nut.....	1/4"	7/16"-24		17/1.08
114630	Nut.....	5/16"	1/2"-24		14/1.08
140287	Nut.....	3/8"	9/16"-24		12/1.08
140290	Nut.....	7/16"	5/8"-24		12/1.08
121322	Sleeve...	1/8"			10/.22
120488	Sleeve...	3/16"			50/1.08
114628	Sleeve...	1/4"			50/1.08
114631	Sleeve...	5/16"			25/.82
114624	Sleeve...	3/8"			20/.82
120430	Sleeve...	1/16"			25/1.20
140284	Connector	1/8"	5/16"-24	1/8"	17/1.84
121711	Connector	3/16"	3/8"-24	1/8"	17/1.84
114626	Connector	1/4"	7/16"-24	1/8"	10/.94
114629	Connector	5/16"	1/2"-24	1/8"	10/1.38
114640	Connector	3/8"	9/16"-24	1/4"	10/2.72
140620	Connector	5/8"	1 1/16"-24	3/8"	10/1.64
140286	Connector	3/8"	9/16"-24	1/4"	10/1.64
3835489	Connector (Steel)	5/16"	5/8"-24	1/4"	(1.531)
115056	Union....	1/4"	3/16"-24		8/1.38
115058	Union....	5/16"	1/2"-24		5/1.38
140303	Elbow....	1/8"	5/16"-24	1/8"	12/2.18
121370	Elbow....	3/16"	3/8"-24	1/8"	10/2.18
114632	Elbow....	1/4"	7/16"-24	1/8"	10/2.18

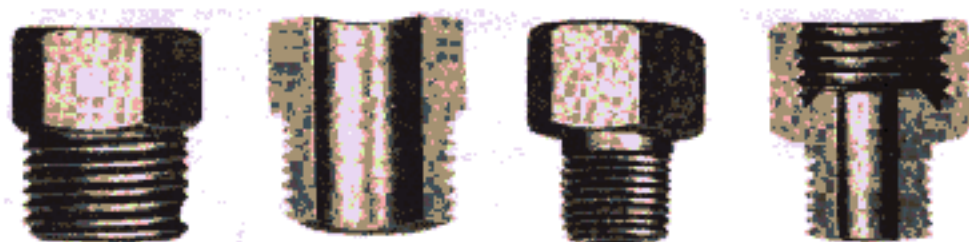
		Tubing Size	Nut Threads	Pipe Threads	
114633	Elbow	5/16"	1/2"-24	1/8"	10/2.18
114635	3 Way Tee	1/4"	1/16"-24		5/1.64
173182	3 Way Tee	1/16"	1/2"-20		.42

**THREADED SLEEVE FITTINGS**



	Connector	Sleeve	Union	
121534	Sleeve	1/8" 5/16"-24		17/.94
114962	Sleeve	3/16" 3/8"-24		14/.82
114963	Sleeve	1/4" 1/16"-24		12/.82
114964	Sleeve	5/16" 1/2"-20		11/.82
120243	Sleeve	1/2" 1 1/16"-16		7/1.16
137523	Sleeve	3/16" 3/4"-16		.27
135628	Connector	1/8" 5/16"-24	1/8"	10/1.08
157221	Connector	1/4" 1/16"-24	1/8"	.19
144414	Union	1/8" 1/16"-24		10/1.64
169983	Elbow	1/4" 1/16"-24	1/8"	.32

**INVERTED FLARED FITTINGS**



	Nut	Connector	
137396	Nut	1/16" 3/8"-24	.10
137397	Nut	1/4" 7/16"-24	.07
137399	Nut	3/8" 5/8"-18	.06
137401	Nut (Steel)	1/2" 3/4"-18	.14
137404	Connector	3/16" 3/8"-24	3/8" .10
137406	Connector	1/16" 1/2"-20	1/8" .14
149477	Connector	1/16" 1 1/16"-18	1/4" .22
137421	Elbow	1/4" 7/16"-24	1/8" .18
137423	Elbow	3/8" 5/8"-18	1/4" .44
187712	Elbow	1/2" 3/4"-18	.72

**PIPE FITTINGS**



	Coupling	Nipple	Reducing Bushing	
		Pipe Thread Length	Material	
105406	Nipple	1/8" 1 1/2"	Steel	9/1.20
105408	Coupling	1/8" 1"	Iron	14/3.26
127875	Reducing Bushing	3/8" Ext. Thds., 1/8" Int. Thds.		.13
144050	Reducing Bushing	1/2" Ext. Thds., 1/8" Int. Thds.		.32
144051	Reducing Bushing	1/2" Ext. Thds., 1/4" Int. Thds.		.32
597830	Reducing Bushing	1/2" Ext. Thds., 5/8" Int. Thds.		(0.277)
3692263	Reducing Bushing	3/16" Ext. Thds., 1/8" Int. Thds.		(4.626)

**8.964 TUBING, Copper-Steel**

1399837	1/8" (10' coil) (copper)	.98
---------	--------------------------	-----

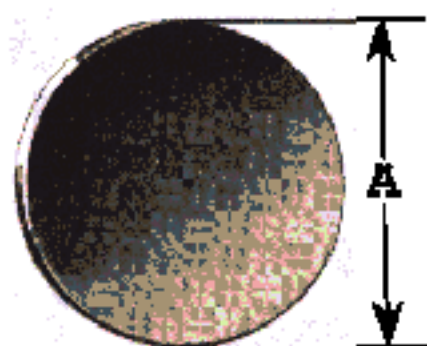
217276	3/16" (10' coil) (copper)	1.25
364934	1/4" (25' coil) (copper)	3.57
348750	3/16" (25' coil) (copper)	4.42
3847597	3/8" (25' coil) (copper)	4.90
3696822	5/16" (25' coil) (steel)	1.90
603827	1/4" (25' coil) (steel)	2.40

**8.965 FUSES**



148086	2 amp.	.10
142630	5 amp.	.05
114512	6 amp.	.05
147684	9 amp.	.05
147685	14 amp.	.05
120151	15 amp.	.10
106653	20 amp.	.05
147686	30 amp.	.10

**8.970 EXPANSION PLUGS (Welch Plug)**



**A—Diameter**

	A	
117917	1/16"	20/.90
117918	3/16"	20/.90
172529	5/8"	18/.90
103892	3/4"	18/.90
105602	1 1/16"	17/.90
117919	1 5/16"	15/.90
103893	1 3/8"	16/.90
103894	1"	14/.90
106517	1 1/8"	13/.90
103895	1 1/4"	12/.90
117923	1 3/8"	10/.90
103896	1 1/2"	8/.90
117924	1 5/8"	7/.90
3835121	2"	5/.90

**8.971 PIPE PLUGS**



**Square Head**

**Headless C'sunk**

444606	1/16" Hex. Hd. Dryseal, Plain	4/.16
103877	1/8" Sq. Hd., Plain	11/.52
444613	1/8" Hex. Hd. Dryseal, Cad.	10/.42
3693352	1/8" Headless Hex. C'sunk, Copper Plate	(4.115)
103878	1/4" Sq. Hd., Plain	11/.52
444577	1/4" Sq. Hd. Dryseal, Cad.	11/.62
445673	3/8" Sq. Hd. Dryseal, Plain	6/.42
116566	1/2" Headless, Sq. C'sunk, Plain	2/.20
103868	1/2" Sq. Hd., Plain	4/.42



8.977 SHEET METAL SCREWS



Cross Recess Hd.



Clutch Hd.



Slotted Hd.



Point A



Point B



Point C



Flat Hd.



Rd. Hd.



Binding Hd.



Oval Hd.



Hex. Hd.

Part Number	Head Style	Point Style	Size	Finish	
106665	Oval Sltd.....	A	No. 6-18 x 5/8"	Chrome	10/.32
145698	Oval Sltd.....	A	No. 7-16 x 1/2"	Chrome	10/.32
178874	Oval Sltd.—No. 6 Hd.....	A	No. 8-15 x 1/8"	Park.	10/.32
145427	Oval Sltd.—No. 6 Hd.....	A	No. 8-15 x 1"	Park.	10/.32
145430	Oval Sltd.—No. 6 Hd.....	A	No. 9-14 x 1 1/2"	Chrome	10/.52
178891	Oval Sltd.—No. 8 Hd.....	A	No. 10-12 x 3/4"	Chrome	10/.62
431879	Oval Sltd.....	C	No. 4-40 x 3/4"	Chrome	2/.20
442033	Oval Sltd.....	A	No. 10-12 x 1"	St. Steel	10/.52
165063	Oval Cr. Recess.....	C	No. 8-32 x 1/2"	Chrome	10/.32
442752	Oval Cr. Recess—No. 4 Hd.....	C	No. 6-32 x 3/16"	Chrome	10/.32
145417	Oval Cr. Recess—No. 6 Hd.....	A	No. 8-15 x 5/8"	Chrome	10/.38
168498	Oval Cr. Recess—No. 6 Hd.....	A	No. 8-15 x 3/4"	Chrome	10/.50
148098	Oval Cr. Recess—No. 6 Hd.....	A	No. 8-15 x 1"	Chrome	10/.48
145419	Oval Cr. Recess—No. 6 Hd.....	A	No. 8-15 x 1 1/4"	Chrome	10/.52
178849	Oval Cr. Recess—No. 6 Hd.....	A	No. 8-15 x 1 3/8"	Chrome	10/.58
145420	Oval Cr. Recess—No. 6 Hd.....	A	No. 8-15 x 1 1/2"	Chrome	10/.62
168528	Oval Cr. Recess—No. 6 Hd.....	A	No. 8-15 x 1 3/4"	Chrome	10/.72
168593	Oval Cr. Recess—No. 8 Hd.....	A	No. 10-12 x 3/4"	Chrome	10/.52
168696	Oval Cr. Recess—No. 8 Hd.....	A	No. 10-32 x 1 1/4"	Chrome	10/.32
431615	Rd. Cr. Recess, w/ext. tooth lockwasher.....	A	No. 8-15 x 9/16"	Chrome	10/.52
431601	Flat Cr. Recess—No. 5 Hd.....	A	No. 8-15 x 5/8"	Cad.	10/.32
169180	Flat Cr. Recess—No. 5 Hd.....	A	No. 8-15 x 1/2"	Nickel	10/.32
450991	Pan. Cr. Recess.....	A	No. 8-15 x 3/16"	St. Steel	6/.28
120298	Rd. Sltd.....	B	No. 6-20 x 5/16"	Nickel	10/.32
148135	Rd. Sltd.....	B	No. 8-18 x 1/8"	Cad.	.05
3838862	Rd. Slotted.....	B	No. 14-10 x 3/8"	Plain	(1.427)
128270	Rd. Sltd.....	A	No. 8-15 x 3/8"	Cad.	10/.12
128591	Rd. Sltd.....	A	No. 10-12 x 1/2"	Cad.	10/.12
128607	Rd. Sltd.....	A	No. 10-12 x 1"	Cad.	10/.25
179037	Rd. Sltd.....	A	No. 14-10 x 2 1/4"	Cad.	10/.80
454672	Rd. Clutch--Slotted Point.....		No. 6-32 x 5/8"	Plain	.03
142385	Binding Sltd.....	A	No. 6-18 x 3/8"	Chrome	10/.32
111633	Binding Sltd.....	A	No. 8-15 x 1/2"	Cad.	20/.28
179311	Binding Sltd.....	C	No. 8-32 x 5/16"	Plain	10/.12
127835	Binding Sltd.....	A	No. 10-12 x 1/2"	Park.	20/.28
142611	Binding Sltd.....	A	No. 10-12 x 5/8"	Cad.	10/.12
116354	Hex. Clutch.....	C	No. 8-32 x 1/16"	Cad.	10/.12
3659780	Hex.....	A	No. 14-10 x 1/2"	Cad.	(8.143)
3650059	Hex.....	A	No. 14-10 x 3/4"	Cad.	(8.143)
3651216	Hex.....	A	No. 14-10 x 1"	Cad.	(8.206)
171035	Hex.....	C	1/4"-28 x 1/2"	Plain	10/.32
117172	Hex. Clutch.....	C	1/4"-28 x 3/8"	Plain	10/.32
125714	Hex. Clutch.....	C	5/16"-24 x 1/2"	Plain	10/.38
115176	Oval Sltd.....	A	1/16"-24 x 1 1/8"	Plain	10/.42

**8.984 LUBRICATION FITTINGS**



Straight  
Lub.



67 1/2°  
Elbow



30°  
Elbow



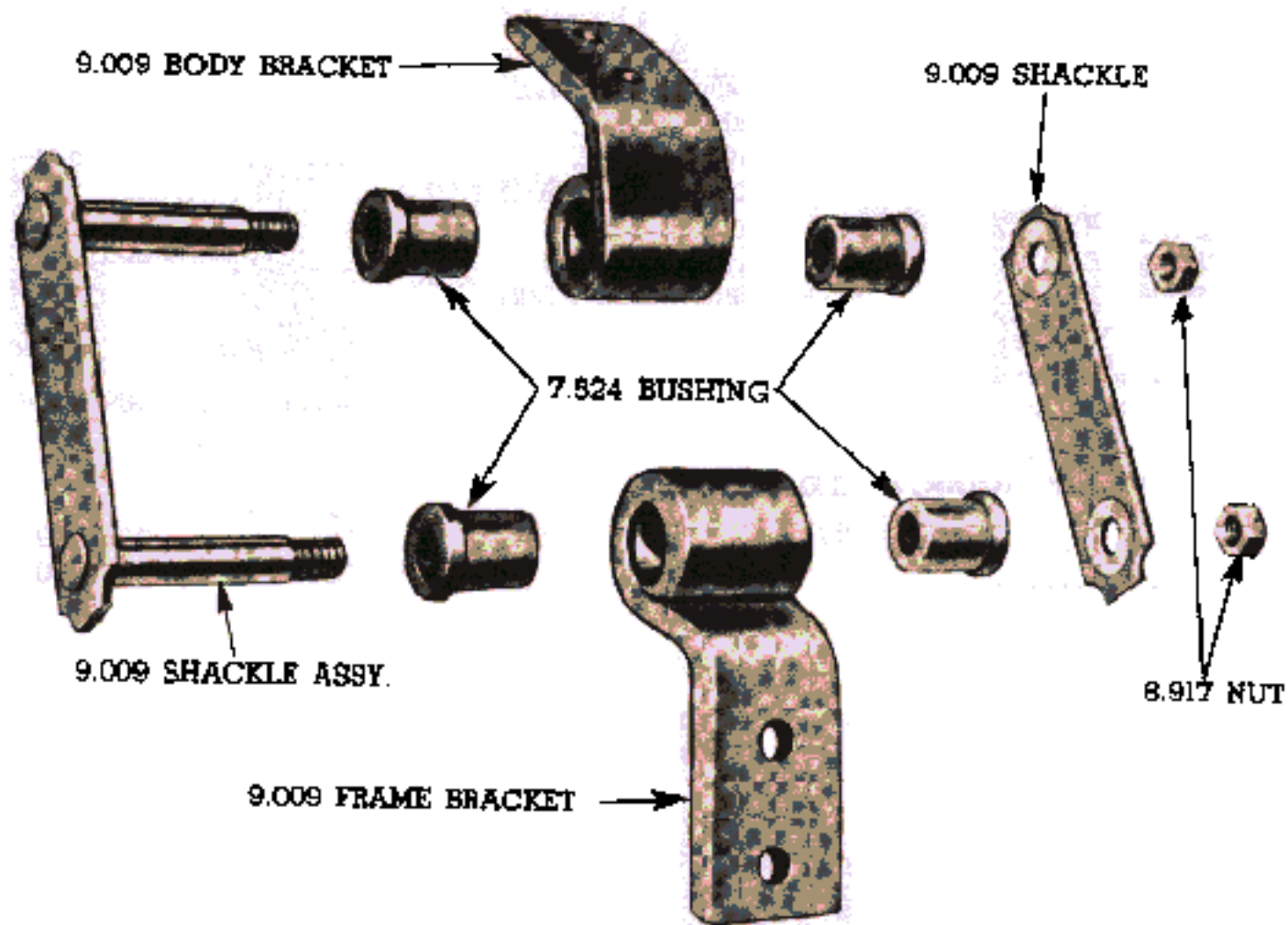
90°  
Elbow

109350	Elbow (67 1/2°)	.12
109353	Elbow (30°)	.12
109354	Elbow (90°)	.12
191758	Straight (3/4" long)	.06
110347	Straight (3/4" - 28 Taper Thread)	.06

**8.991 BULBS**

Part No.	General Usage	Mfgs. No.	Candle Power	Type Base	
138177	HEADLAMP.....	1000	32-32	BAYONET	.30
110188	HEADLAMP.....	2330	32-32	FLANGE	.41
142309	FOG AND BACK-UP LAMP.....	1133	32	BAYONET	.34
145431	SAFETY LIGHT.....	1323	32	FLANGE	.37
179006	FOG AND PASSING LAMPS.....	1007	32	FLANGE	.37
145416	STOP AND DIRECTION SIGNAL.....	1154	21-3	BAYONET	.38
103642	GENERAL PURPOSE.....	1129L	21	BAYONET	.31
119294	STOP LAMP.....	87	15	BAYONET	.29
120406	DOME LAMP.....	88	15	BAYONET	.28
453138	DOME LAMP.....	210	15	BAYONET	.31
142306	DOME LAMP (PANEL).....	81	6	BAYONET	.14
119434	DOME LAMP.....	82	6	BAYONET	.16
142303	DASH, LUGGAGE COMP., PARKING, DOME, etc....	63	3	BAYONET	.12
125588	PARKING (in headlamp), INSTRUMENT PANEL.....	55	2	BAYONET	.11
115273	BEAM IND., IGNITION, CLOCK.....	51	1	BAYONET	.11
119453	HEATER AND RADIO SWITCH.....	46	1	SCREW	.10





### COE BODY MOUNTING SHACKLE

## CHEVROLET MASTER PARTS CATALOG

YEAR	MODEL	PART NAME	PART NO.	NO. USED	LIST PRICE
<b>9.008 BOLT, Body Hold-Down</b>					
37-48	PASS. (exc. CPES., CONV.)	No. 1 and No. 3 inner,			
41-48	PASS. (exc. STA. WAG.)	No. 7 (3/8-24 x 5 3/4)	594289	A.R.	.13
37-39	CPES., CONV., SDL	No. 6,			
37-39	SEDANS	No. 7,			
40-46	CAB.	No. 4,			
40	PASS. (exc. CONV., STA. WAG.)	No. 6,			
40	CONV.	No. 5 and 7,			
41-48	PASS. (exc. FLIN., STA. WAG.)	No. 5,			
41-49	PASS. (exc. STA. WAG.)	No. 6 (3/8-24 x 4 1/8 sq. hd.)	3654241	A.R.	.13
49-52	PASS. (exc. CONV., B-A, STA. WAG., SDL),				
53-54	PASS. (exc. CONV., SPT. CPE., STA. WAG., SDL)	No. 6,			
49-52	CONV., SPT. CPE., STA. WAG., SDL,				
53-54	CONV., SPT. CPE., STA. WAG., SDL...	No. 7,			
53-54	STA. WAG., SDL	No. 8 (3/8-16 x 4 1/4)	3688463	2	.13
49-52	CONV., BEL AIR	No. 8,			
49-52	PASS. (exc. CONV., B-A, STA. WAG., SDL)	No. 7 (3/8-16 x 2 5/8 hex hd.)	3688464	2	.12

53-54	PASS. (exc. CONV., SPT. CPE., STA. WAG., SDL.)	No. 7,			
53-54	CONV., SPT. CPE.	No. 8 (3/8-16 x 5 hex hd.)	3696977	2	.15

**9.009 BRACKET—BUMPER—SHACKLE—SUPPORT—BUSHING—STOP—NUT, Body Mounting**

47-48	COMM., UTILITY (CABS)	w/bolt	3683701	1	.78
49-54	COMM., UTILITY (CABS)	shackle	3690029	A.R.	.72
49-54	1/2 TON (CABS)	shackle frame, left	3690045	1	.94
49-54	1/2 TON (CABS)	shackle frame, right	3690046	1	.94
49-54	COE (CABS)	shackle frame	3703694	2	1.95
47-48	COMM., UTILITY (CABS)	BUMPER ASSY., body mtg. supt.	3685018	4	.55
47-48	COMM., UTILITY (CABS)	SHACKLE ASSY., w/bolt	3683698	1	1.23
47-48	COMM., UTILITY (CABS)	SHACKLE, less bolt	3685799	2	1.00
49-54	COMM., UTILITY (CABS)	SHACKLE ASSY., w/bolts	3691056	2	.83
49-54	COMM., UTILITY (CABS)	SHACKLE, less bolt	3691058	2	.33
47-48	COMM., UTILITY (CABS)	SUPPORT (forged 3683703)	3683703	1	1.45
47-54	COMM., UTILITY (CABS)	BUSHING (use w/shackle and support)	3660540	A.R.	(7.524)
49-54	COE (CABS)	STOP, shackle	3690036	2	.28
49-54	COMM., UTILITY (CABS)	NUT, shackle bracket anchor (3/8-16)	3690030	2	.17

**9.011 BUMPER—RETAINER, Hold-Down Bolt**

40-46	CAB	BUMPER (No. 4 bolt)	3654239	2	.13
40-46	CAB	RETAINER, bumper (used w/No. 4 bolts)	3654240	2	.08

**9.023 SHIM, Body**

31-54	ALL	body bolt, rubber (6 x 1 1/2 x 5/8—one 5/8 hole ctrd. 1 1/2 from end)	376904	A.R.	.13
31-42	ALL				
46-47	COMM., UTILITY (CABS)	body bolt, steel (3 x 1 1/2 x 3/8—one 5/8 x 1 hole ctrd.—one 3/8 wide slot in one end)	366981	A.R.	.08
48-54	PASS.	No. 1 and No. 2 body bolt, rubber	3653691	4	.08
40-48	PASS.				
47-54	COMM., UTILITY (CABS)	No. 1 body bolt, rubber (1 3/4 sq. x 3/4 thk.—one 5/8 hole)	3701322	A.R.	.08

**9.127 ANTI-SQUEAK, Hood Ledge (cowl)**

49-54	PASS.	(rubber—5/8 wide x approx. 20 ft. roll)	3707799	A.R.	.30 ft
ALL	ALL	(rubber—5/8 wide x 5/8 thick x 50 ft. roll)	609532	A.R.	.13 ft
47-54	COMM., UTILITY	(rubber—5/8 wide x 3/2 thick x 50 ft. roll)	3688792	A.R.	.13 ft

**9.550 COVER UNIT, Seat**

(NOTE: Closeout price applies. See Dealer P & A Price Schedule.)

50-53	COMM., UTILITY (CAB)	fiber (driver's seat only)	986644†	1	
50-53	COMM., UTILITY (CAB)	fiber (driver's seat only)	986798†	1	
51-52	CONV.	plastic (blue plaid)	986571†	1	
51-52	CONV.	plastic (red plaid)	986575†	1	
51-52	CONV.	plastic (gray stripe)	986579†	1	
52	2 DR. SEDAN, COUPE	nylon (gray stripe)	986795†	1	
52	2 DR. SEDAN, COUPE	nylon (green stripe)	986796†	1	
52	2 DR. SEDAN, COUPE	nylon (blue stripe)	986797†	1	
53	2-DR. SEDAN, CLUB COUPE	plastic (multi-color plaid)	986823†	1	
53	2-DR. SEDAN, CLUB COUPE	plastic (green stripe)	986826†	1	
53	2-DR. SEDAN, CLUB COUPE	plastic (red stripe)	986829†	1	
53	2-DR. SEDAN, CLUB COUPE	plastic (blue-gray plaid)	986838†	1	
53	2-DR. SEDAN, CLUB COUPE	plastic (red plaid)	986841†	1	
53	2-DR. SEDAN, CLUB COUPE	plastic (green stripe)	986913†	1	
53	2-DR. SEDAN, CLUB COUPE	plastic (patio stripe)	986917†	1	
53	2-DR. SEDAN, CLUB COUPE	plastic (green plaid)	986922†	1	
53	2-DR. SEDAN, CLUB COUPE	plastic (blue-gray plaid)	986925†	1	
53	2-DR. SEDAN, CLUB COUPE	plastic (red plaid)	986928†	1	
53	2-DR. SEDAN, CLUB COUPE	fiber (multi-color, vertical stripe)	986844†	1	
53	2-DR. SEDAN, CLUB COUPE	fiber (red check)	986850†	1	
53	2-DR. SEDAN, CLUB COUPE	fiber (green check)	986931†	1	
53	2-DR. SEDAN, CLUB COUPE	fiber (blue check)	986933†	1	
53	2-DR. SEDAN, CLUB COUPE	fiber (red check)	986935†	1	
53	2-DR. SEDAN, CLUB COUPE	nylon (blue-gray stripe)	986852†	1	

53	2-DR. SEDAN, CLUB COUPE	nylon (green stripe)	986856†	1	
53	2-DR. SEDAN, CLUB COUPE	nylon (cherry stripe)	986860†	1	
53	2-DR. SEDAN, CLUB COUPE	nylon (blue rattan)	986864†	1	
53	2-DR. SEDAN, CLUB COUPE	nylon (green rattan)	986868†	1	
53	2-DR. SEDAN, CLUB COUPE	nylon (cherry rattan)	986872†	1	
53	4-DR. SEDAN	plastic (multi-color plaid)	986822†	1	
53	4-DR. SEDAN	plastic (red stripe)	986828†	1	
53	4-DR. SEDAN	plastic (red plaid)	986840†	1	
53	4-DR. SEDAN	plastic (green stripe)	986912†	1	
53	4-DR. SEDAN	plastic (patio stripe)	986914†	1	
53	4-DR. SEDAN	plastic (green plaid)	986921†	1	
53	4-DR. SEDAN	plastic (blue-gray plaid)	986924†	1	
53	4-DR. SEDAN	plastic (red plaid)	986927†	1	
53	4-DR. SEDAN	fiber (multi-color, vertical stripe)	986843†	1	
53	4-DR. SEDAN	fiber (red check)	986849†	1	
53	4-DR. SEDAN	fiber (green check)	986930†	1	
53	4-DR. SEDAN	fiber (blue check)	986932†	1	
53	4-DR. SEDAN	fiber (red check)	986934†	1	
53	4-DR. SEDAN	nylon (blue-gray stripe)	986851†	1	
53	4-DR. SEDAN	nylon (green stripe)	986855†	1	
53	4-DR. SEDAN	nylon (cherry stripe)	986859†	1	
53	4-DR. SEDAN	nylon (blue rattan)	986863†	1	
53	4-DR. SEDAN	nylon (green rattan)	986867†	1	
53	4-DR. SEDAN	nylon (cherry rattan)	986871†	1	
53	CONV.	plastic (green plaid)	986836†	1	
53	CONV.	plastic (blue-gray plaid)	986839†	1	
53	CONV.	plastic (red plaid)	986842†	1	
53	SPORT COUPE	nylon (blue-gray stripe)	986853†	1	
53	SPORT COUPE	nylon (green stripe)	986857†	1	
53	SPORT COUPE	nylon (cherry stripe)	986861†	1	
53	SPORT COUPE	nylon (blue rattan)	986865†	1	
53	SPORT COUPE	nylon (green rattan)	986869†	1	
53	SPORT COUPE	nylon (cherry rattan)	986873†	1	
54	2-DR. SEDAN, CLUB CPE	plastic (blue america plaid)	987012	1	38.75
54	2-DR. SEDAN, CLUB CPE	plastic (brown america plaid)	987015	1	38.75
54	2-DR. SEDAN, CLUB CPE	plastic (green america plaid)	987018	1	38.75
54	2-DR. SEDAN, CLUB CPE	plastic (red america plaid)	987021	1	38.75
54	2-DR. SEDAN, CLUB CPE	plastic (blue twin tone stripe)	987024	1	38.75
54	2-DR. SEDAN, CLUB CPE	plastic (brown twin tone stripe)	987026	1	38.75
54	2-DR. SEDAN, CLUB CPE	plastic (green twin tone stripe)	987028	1	38.75
54	2-DR. SEDAN, CLUB CPE	plastic (red twin tone stripe)	987030	1	38.75
54	2-DR. SEDAN, CLUB CPE	plastic (highlander plaid)	987032	1	38.75
54	2-DR. SEDAN, CLUB CPE	fiber (blue western horizon stripe)	987001	1	27.50
54	2-DR. SEDAN, CLUB CPE	fiber (brown western horizon stripe)	987003	1	27.50
54	2-DR. SEDAN, CLUB CPE	fiber (green western horizon stripe)	987005	1	27.50
54	2-DR. SEDAN, CLUB CPE	fiber (red western horizon stripe)	987007	1	27.50
54	2-DR. SEDAN, CLUB CPE	fiber (carousel square)	987009	1	27.50
54	2-DR. SEDAN, CLUB CPE	nylon (blue embassy stripe)	987035	1	45.00
54	2-DR. SEDAN, CLUB CPE	nylon (brown embassy stripe)	987038	1	45.00
54	2-DR. SEDAN, CLUB CPE	nylon (green embassy stripe)	987041	1	45.00
54	2-DR. SEDAN, CLUB CPE	nylon (red embassy stripe)	987044	1	45.00
54	2-DR. SEDAN, CLUB CPE	nylon (blue geometric)	987053	1	45.00
54	2-DR. SEDAN, CLUB CPE	nylon (brown geometric)	987056	1	45.00
54	2-DR. SEDAN, CLUB CPE	nylon (green geometric)	987047	1	45.00
54	2-DR. SEDAN, CLUB CPE	nylon (red geometric)	987050	1	45.00
54	4-DR. SEDAN	plastic (blue america plaid)	987011	1	38.75
54	4-DR. SEDAN	plastic (brown america plaid)	987014	1	38.75
54	4-DR. SEDAN	plastic (green america plaid)	987017	1	38.75
54	4-DR. SEDAN	plastic (red america plaid)	987020	1	38.75
54	4-DR. SEDAN	plastic (blue twin tone stripe)	987023	1	38.75
54	4-DR. SEDAN	plastic (brown twin tone stripe)	987025	1	38.75
54	4-DR. SEDAN	plastic (green twin tone stripe)	987027	1	38.75
54	4-DR. SEDAN	plastic (red twin tone stripe)	987029	1	38.75
54	4-DR. SEDAN	plastic (highlander plaid)	987031	1	38.75
54	4-DR. SEDAN	fiber (blue western horizon stripe)	987000	1	27.50
54	4-DR. SEDAN	fiber (brown western horizon stripe)	987002	1	27.50
54	4-DR. SEDAN	fiber (green western horizon stripe)	987004	1	27.50
54	4-DR. SEDAN	fiber (red western horizon stripe)	987006	1	27.50
54	4-DR. SEDAN	fiber (carousel square)	987008	1	27.50

54	4-DR. SEDAN	nylon (blue embassy stripe)	987034	1	45.00
54	4-DR. SEDAN	nylon (brown embassy stripe)	987037	1	45.00
54	4-DR. SEDAN	nylon (green embassy stripe)	987040	1	45.00
54	4-DR. SEDAN	nylon (red embassy stripe)	987043	1	45.00
54	4-DR. SEDAN	nylon (blue geometric)	987052	1	45.00
54	4-DR. SEDAN	nylon (brown geometric)	987055	1	45.00
54	4-DR. SEDAN	nylon (green geometric)	987046	1	45.00
54	4-DR. SEDAN	nylon (red geometric)	987049	1	45.00
54	CONV.	plastic (blue america plaid)	987013	1	38.75
54	CONV.	plastic (brown america plaid)	987016	1	38.75
54	CONV.	plastic (green america plaid)	987019	1	38.75
54	CONV.	plastic (red america plaid)	987022	1	38.75
54	SPORT COUPE	plastic (highlander plaid)	987033	1	38.75
54	SPORT COUPE	fiber (carousel square)	987010	1	27.50
54	SPORT COUPE	nylon (blue embassy stripe)	987036	1	45.00
54	SPORT COUPE	nylon (brown embassy stripe)	987039	1	45.00
54	SPORT COUPE	nylon (green embassy stripe)	987042	1	45.00
54	SPORT COUPE	nylon (red embassy stripe)	987045	1	45.00
54	SPORT COUPE	nylon (blue geometric)	987054	1	45.00
54	SPORT COUPE	nylon (brown geometric)	987057	1	45.00
54	SPORT COUPE	nylon (green geometric)	987048	1	45.00
54	SPORT COUPE	nylon (red geometric)	987051	1	45.00
54	COMM., UTILITY (CABS)	plastic (multi-color plaid)	986994	1	11.45
54	COMM., UTILITY (CABS)	fiber (multi-color vertical stripe)	986976	1	13.50

### GLAMOUR GLIDE CUSHION PROTECTOR

54	PASS.	front (brown)	987058	1	9.90
54	PASS.	front (green)	987062	1	9.90
54	PASS.	front (blue)	987066	1	9.90
54	PASS.	front (gray)	987070	1	9.90
54	PASS.	front (red)	987074	1	9.90
54	PASS.	front (turquoise)	987078	1	9.90
54	4-DR. SEDAN	rear (brown)	987059	1	9.90
54	4-DR. SEDAN	rear (green)	987063	1	9.90
54	4-DR. SEDAN	rear (blue)	987067	1	9.90
54	4-DR. SEDAN	rear (gray)	987071	1	9.90
54	4-DR. SEDAN	rear (red)	987075	1	9.90
54	4-DR. SEDAN	rear (turquoise)	987079	1	9.90
54	2-DR. SEDAN	rear (brown)	987060	1	9.90
54	2-DR. SEDAN	rear (green)	987064	1	9.90
54	2-DR. SEDAN	rear (blue)	987068	1	9.90
54	2-DR. SEDAN	rear (gray)	987072	1	9.90
54	2-DR. SEDAN	rear (red)	987076	1	9.90
54	2-DR. SEDAN	rear (turquoise)	987080	1	9.90
54	SPORT COUPE	rear (brown)	987061	1	9.90
54	SPORT COUPE	rear (green)	987065	1	9.90
54	SPORT COUPE	rear (blue)	987069	1	9.90
54	SPORT COUPE	rear (gray)	987073	1	9.90
54	SPORT COUPE	rear (red)	987077	1	9.90
54	SPORT COUPE	rear (turquoise)	987081	1	9.90

### 9.645 ANTENNA UNIT, Radio

47-53	COMM., UTILITY	rod type	986069	1	7.48
53-54	PASS.	fender type	986627	1	6.35
54	COMM., UTILITY	cowl type	986772	1	7.25

### 9.650 RADIO

NOTE: For Fuse and Fuse Holder use 1220246 listed in the Radio Parts Catalog.

47-53	COMM., UTILITY	deluxe with antenna	986444	1	73.91
51-52	PASS.	push button with antenna	986517†	1	
51-52	PASS.	manual controls with antenna	986518	1	65.53
53-54	PASS.	manual controls w/antenna	986671	1	61.25
53-54	PASS.	push button w/antenna	986670	1	79.85
54	COMM., UTILITY	deluxe with antenna	986770	1	69.00
53-54	PASS. (exc. CONV., STA. WAG., SDL.)	SPEAKER, auxiliary radio	986694	1	11.45

†NOTE: Closeout price applies. See Dealer P & A Price Schedule.



**9.694 VENTSHADE UNIT, Window**

48-52	2-DR. SEDAN (exc. FLILN.)	986272†	1	
51-54	COMM., UTILITY	986623	1	5.25
53-54	2-DR. SEDAN	986659	1	8.75
53-54	4-DR. SEDAN	986661	1	8.75
53	BUS. CPE., CLUB CPE.,			
54	UTILITY SEDAN	986658	1	4.75

†NOTE: Closeout price applies. See Dealer P & A Price Schedule.

**9.709 LIGHTER UNIT—KNOB—ELEMENT, Cigarette**

53	PASS.	cigarette (complete w/lamp)	986631	1	2.95
54	PASS.	cigarette (complete w/lamp)	986966	1	2.95
54	COMM., UTILITY	cigarette	986965	1	2.95
37-52	ALL	KNOB, w/heating element (w/spring release)	3699602	1	1.65
51-52	IK, KK	KNOB, w/heating element (w/o spg. release)	7003058	1	1.80
53	PASS.	KNOB, w/heating element (w/spring release)	3698366	1	1.65
53	B, C	KNOB, w/heating element (w/o spg. release)	7003848	1	1.80
54	PASS.	KNOB, w/heating element (w/spring release)	3707721	1	1.55
54	B, C	KNOB, w/heating element (w/o spring release)	7005978	1	1.75
54	COMM., UTILITY	KNOB, w/heating element (w/spring release)	3707720	1	1.55
37-53	ALL	ELEMENT, heating (w/spring release)	609829	1	1.10
51-53	IK, KK, B, C	ELEMENT, heating (w/o spg. release)	7002288	1	.90
54	ALL	ELEMENT, heating (w/spring release)	3707723	1	1.05
54	B, C	ELEMENT, heating (w/o spring release)	7005976	1	.90

**9.743 CASE ASSEMBLY, Instrument**

40	ALL (exc. WC),				
41-46	COMM., UTIL. (exc. YT, MT, MY, OG, OW, FX)	for speedo. head (when used on 1940 jobs it is necessary to use kit 846870)	1565912	1	1.07
40-46	COMM., UTIL. (exc. WC, YT, MT, MY, OG, OW, OY, FX)		1565477	1	1.76
41	PASS.	with glass and mldgs. (chrome)	1566356	1	2.79
47	COMM., UTILITY		1500921	1	1.43
48-53	COMM., UTILITY		1501095	1	1.87
49-50	PASS.		1568607	1	2.79
51-52	PASS.		1580500	1	1.86
53-54	PASS.	(w/light shield)	1581306	1	1.62
54	COMM., UTILITY (exc. FFC)		1582484	1	2.14
54	FFC		1582676	1	2.10
42-46	PASS.	CASE, w/bezel (w/glass and mldg.) (chrome)	1568019	1	5.31
47-48	EK, FK	CASE, w/bezel (w/glass and mldg.) (chrome)	1568778	1	5.90

**9.744 PLATE, Instrument Case**

33-36	PASS.				
37-46	COMM., UTIL. (exc. COE) (also 1940-46 FFC)	instr. glass retainer	888891	A.R.	.11
40	KA, KB				
40-46	COMM., UTIL. (exc. WC, YT, MT, MY, OG, OW, FX)	backing	1506374	2	.17
41-48	PASS.	backing	1506301	2	.17
49-50	PASS.	backing, right hand	1500856	1	.12
49-50	PASS.	backing, left hand	1511843	1	.12
49-50	PASS.	RETAINER, attach. instrument cluster	3688250	1	(10.25)

**9.745 MASH, Instrument Face**

35-36	PASS.				
37-46	COMM., UTIL. (exc. COE) (also 1940-46 FFC)	used behind glass	1505660	1	.43

**9.746 BESEL—PLATE, Instrument Case**

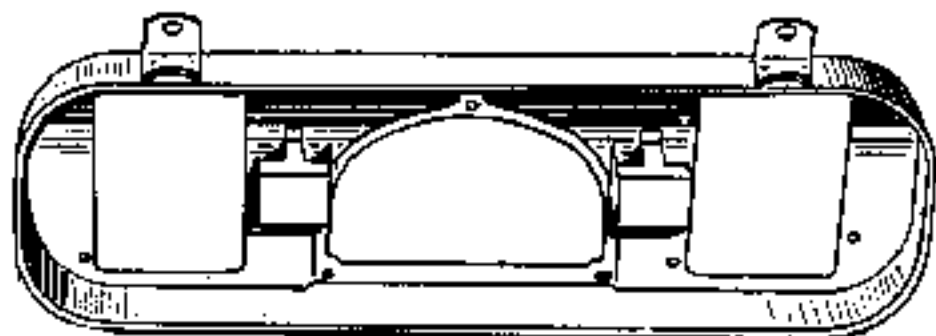
40-46	COMM., UTIL. (exc. FFC)	mtg. case	1565472	1	2.36
47-53	COMM., UTILITY				
54	FFC		1581526	1	.81
49-50	PASS.		1581964	1	3.76



9743  
INSTRUMENT  
CASE



9749—FACE GASKET



9743—MOUNTING CASE



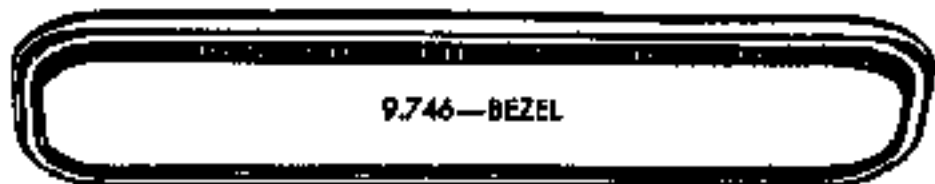
9748—INSTRUMENT GLASS

9747—FACE RETAINER

9749—BEZEL GASKET



9746—BEZEL



## INSTRUMENT MOUNTING PLATES

51-52	PASS.....		1581508	2	1.29
53-54	PASS.....		1581307	1	1.07
53	A, D (exc. STA. WAG.).....	(light and dark gray)	3699337	1	2.85
53	B, C.....	(chrome w/gray)	3699362	1	4.50
54	A (exc. STA. WAG.).....	(india ivory and onyx black)	3708530	1	2.85
54	B, C.....	(chrome)	3708595	1	4.50
54	COMM., UTILITY (exc. FFC).....		1582458	1	2.31
53-54	PASS.....	PLATE, w/signal arrows	3699366	1	1.10

### 9.747 RETAINER, Instrument Face Glass

40-46	COMM., UTIL. (exc. SBC).....		1563473	1	.99
47-53	COMM., UTILITY,				
54	FFC.....		1501531	1	1.76
49	GJ.....		1568621	1	2.14
50	HJ.....		1581525	1	2.14
51-52	PASS.....		1580571	1	.98
53-54	PASS.....		1581309	1	1.07
54	COMM., UTILITY (exc. FFC).....		1582485	1	1.45

### 9.748 FACE ASSY., Instrument Cluster, w/Glass

49	GK.....		1568616	1	6.90
50	HK.....		1581521	1	7.76
51-52	PASS.....		1581509	1	2.48

### GLASS, Instrument Case Face

33-36	ALL (exc. CC, DC, EC),				
37-39	COMM., UTIL.,				
40-46	COMM., UTIL. (FFC).....		888983	1	.33
37	GB (exc. CONV.).....		1563172	1	1.21
40-46	KA, KH, KE, COMM., UTIL. (exc. SBC)		1565308	1	.69
47-53	COMM., UTILITY,				
54	IFC.....		1500924	1	.88
49-50	GJ, HJ.....		1568623	1	1.50
51-52	PASS.....		1580912	1	.60
53-54	PASS. (exc. P.G.).....	(oil pressure, 0 to 30)	1581308	1	1.19

53-54	PASS. w/P G.	(oil pressure, 0 to 60)	1582543	1	1.02
54	COMM., UTILITY (exc. FFC)	(5 <sup>1</sup> / <sub>8</sub> dia.)	1582460	1	1.02
53-54	PASS.	LENS (speedometer)	1981390	1	2.26

**9.749 GASKET, Instrument Case**

33-36	ALL (exc. CC, DC, EC)	oil press. and gas gauge glass,			
37-46	COMM., UTIL. (FFC)	instr. case glass ring bezel (cork)	858984	A.R.	.11
40-46	COMM., UTIL. (exc. SBC)	upr.	1565761	1	.12
40-46	COMM., UTIL. (exc. SBC)	lwr.	1565476	1	.11
47-53	COMM., UTILITY,				
54	FFC		1500925	1	.17
54	COMM., UTILITY (exc. FFC)	(sponge rubber) (1/4 x 1/2 x 18)	1582459	1	.13

**9.772 CLOCK and PARTS**

49-50	PASS.	(hand wind)	3694138	1	10.50
51-52	PASS.	(hand wind) (clock only)	3699111	1	10.38
53-54	PASS.,				
54	COMM., UTILITY (exc. FFC)	(hand wind)	986833	1	10.50
53-54	PASS.	(electric)	986971	1	18.75
51-52	PASS.	HOUSING	3696193	1	1.29
54	COMM., UTILITY (exc. FFC)	HOUSING (hand wind)	986980	1	3.75
41-46	PASS.	GLASS (hand wind) (New Haven clock)	605570	1	.42
41-48	PASS.	GLASS (hand wind) (Westlox)	605571	1	.42
47-48	PASS.	GLASS (for electric clock)	5073070	1	.60
49-50	PASS.	GLASS (for use w/electric clock)	5075750	1	1.90
51-52	PASS.	GLASS	5080805	1	.45
53-54	PASS.	GLASS (w/numerals)	5084889	1	.70
48-50	PASS.	WIRE ASSY. (for hand wind clock 37 <sup>1</sup> / <sub>2</sub> O.L.)	5288268	1	.30
51-54	PASS.	WIRE ASSY. (for hand wind clock 29 O.L.)	3896465	1	.35
42-54	PASS.	KNOB (use w/electric and hand wind)	3893422	1	.38

**9.773 LAMP UNIT and PARTS, Safetylight**

NOTE: For Fuse and Fuse Holder use 1220246 listed in the Radio Parts Catalog.

37-54	ALL	LAMP, portable	986855	1	7.95
47-54	COMM., UTILITY	LAMP, w/brkt. (UNITY MFG.)	986173	1	18.95
53-54	PASS. (exc. STA. WAG.)	LAMP, w/brkt. and mirror (GUIDE)	986626	1	21.95
53-54	STA. WAG.	KIT, conversion (use w/986626)	986950	1	1.90
35-48	ALL,				
49-51	COMM., UTIL.	LENS, safetylight (5 <sup>1</sup> / <sub>8</sub> O.D.) (UNITY)	601555	1	.52
46-48	ALL	LENS, safetylight (5 <sup>9</sup> / <sub>16</sub> O.D.)	5936472	1	.81
48	PASS.	LENS, safetylight (4 <sup>13</sup> / <sub>16</sub> O.D.)	5937880	1	.88
37-54	ALL	SEALED BEAM (use w/portable lamp)	451927	1	3.00
47-49	ALL,				
50-54	COMM., UTILITY	SEALED BEAM (for use w/UNITY)	444279	1	2.05
49-54	PASS. (exc. STA. WAG.)	SEALED BEAM (for use w/GUIDE LAMP)	451651	1	2.20
40-48	ALL,				
49-51	COMM., UTIL.	REFLECTOR, safetylight	604833	1	2.75
46-48	ALL	REFLECTOR, safetylight	5936470	1	1.81
48	PASS.	REFLECTOR, safetylight	5937881	1	1.83
34-48	ALL,				
49-51	COMM., UTIL.	GASKET, lens (UNITY)	604835	1	.27
49-53	PASS.	DOOR ASSY. (for use w/GUIDE LAMP)	5941202	A.R.	2.14
40-49	ALL,				
50-54	COMM., UTILITY	RIM, safetylight (for UNITY)	604834	1	1.50
46-48	ALL	RIM, safetylight (GUIDE)	5936473	1	2.14
35-48	ALL,				
49-51	COMM., UTIL.	CAP, safetylight bulb	601545	1	.37
36-49	ALL	CAP, safetylight switch (for lamps with toggle at bottom of switch cap) (for UNITY)	3899178	1	.88
50-54	COMM., UTILITY	SWITCH, safetylight (for lamps with toggle at bottom of switch cap) (for UNITY)	602272	1	.37
36-49	ALL	WEDGE, safetylight handle (for lamps with toggle at bottom of switch cap) (for UNITY)	602275	1	.17
50-54	COMM., UTILITY				
29-48	ALL,				
49-54	COMM., UTIL.	KNOB (upper half w/insert) (UNITY)	606127	1	.62
29-48	ALL,				
49-54	COMM., UTIL.	KNOB (lower half) (UNITY)	606128	1	.32

31-49	ALL,				
50-54	COMM., UTILITY.....	GEAR, knob shaft inner drive (UNITY).....	608198	1	.73

### 9.774 AUXILIARY LAMP UNIT and PARTS

NOTE: For Fuse and Fuse Holder use 1220246 listed in the Radio Parts Catalog.

42-48	ALL.....	LENS, clear (4 $\frac{5}{8}$ O.D.).....	5933400	A.R.	.76
37-38	ALL.....	LENS, amber (6 $\frac{1}{8}$ O.D.).....	921418	1	1.17
46-48	ALL.....	SEALED BEAM (4 $\frac{5}{8}$ clear).....	451653	2	1.45
49-53	ALL.....	SEALED BEAM (5 clear).....	451652	2	1.65
54	COMM., UTILITY.....	SEALED BEAM (dual) (amber lens).....	986942	1	15.95
42-48	ALL.....	REFLECTOR.....	5933397	A.R.	1.75
29-50	ALL,				
51-54	COMM., UTILITY.....	SWITCH, dash.....	5939420	1	2.28
46-48	ALL.....	DOOR ASSY.....	5938674	A.R.	2.05
48	ALL.....	DOOR ASSY.....	5937619	2	1.93
49-54	ALL.....	DOOR ASSY.....	5941416	2	2.05
35-48	ALL.....	CAP, bulb (Unity).....	601545	1	(9.773)

### 9.775 GROMMET

42	ALL,				
47-48	COMM., 1 $\frac{1}{2}$ TON, COE (exc. FFC),				
49-50	COMM., 1 $\frac{1}{2}$ TON, COE (exc. D-D, FFC),				
51-54	COMM., 1 $\frac{1}{2}$ TON, COE (exc. D-D, FFC, UL, VL, R).....	windshield wiper,			
53	PASS.....	rubber ( $\frac{3}{8}$ I.D. x $\frac{3}{8}$ O.D.).....	117981	A.R.	10/.27
ALL	ALL.....	rubber ( $\frac{1}{2}$ I.D. x 1 $\frac{1}{8}$ O.D.).....	120879	A.R.	10/.27
30-54	ALL (w/ $\frac{3}{4}$ sheet metal holes).....	rubber ( $\frac{1}{2}$ I.D. x 1 O.D.).....	359207	A.R.	.06
35-40	$\frac{1}{4}$ , 1 TON.....	brake pedal, rubber (2 O.D.).....	379550	1	.13
29-35	ALL,				
36-39	COMM., UTILITY.....	tail lamp bulb, rubber ( $\frac{3}{4}$ I.D. x 1 $\frac{1}{8}$ O.D.)	913865	A.R.	.05
32-39	ALL.....	control wires thru dash, rubber (3 $\frac{1}{8}$ x 1 $\frac{1}{8}$ x $\frac{1}{2}$ —4 holes).....	3681071	1	.20
40-46	COMM., UTILITY.....	strg. gear cowl "U" bolt, rubber (1 $\frac{1}{2}$ I.D. x 2 O.D.).....	3681057	1	.13
33-46	ALL (exc. CC, DC, EC, FC, KA, KB, KH, AG, AH, BG, BH, DJ, DK, COE).....	ign. switch cable thru dash (1 $\frac{1}{8}$ O.D.— rd. hole $\frac{3}{8}$ ).....	3681096	1	.07
33-36	ALL.....				
37-46	COMM., UTILITY.....	speedometer flexible shaft, rubber ( $\frac{1}{4}$ I.D. x $\frac{1}{4}$ O.D.).....	3702358	1	.13
39-42	ALL,				
46-48	PASS.....	headlamp wires thru fender, rubber ( $\frac{1}{2}$ I.D. x 1 O.D.).....	3681068	2	.08
49-54	COMM., UTILITY (exc. D-D).....	speedometer flexible shaft, rubber ( $\frac{1}{4}$ I.D. x 1 $\frac{1}{8}$ O.D.).....	675520	1	.13
39-46	PASS,				
47-54	ALL (exc. COE).....	wiring harness and hood control wire thru dash (rubber) (1 $\frac{1}{4}$ O.D.—2 holes),			
54	COE.....	wiring harness thru dash.....	3653762	1	.07
39-48	ALL.....				
49-53	COMM., UTIL. (exc. DUBL-DUT).....	wiring harness, rubber ( $\frac{5}{8}$ I.D. x 1 O.D.),			
39-42	ALL.....	headlamp wire thru fender skirt,			
46-48	PASS.....	vac. brake cyl. cleaner hose thru floor,			
46-54	COMM., UTIL. (exc. D-D).....	tail, stop lamp wire thru door.....	3689096	A.R.	.08
40	COE,	throttle, heat ind., oil gauge pipe thru dash, rubber (1 $\frac{1}{8}$ O.D.—3 holes).....	3653785	1	.13
41-46	COMM., UTILITY.....	throttle, choke, heat, oil gauge pipe thru dash, rubber (1 $\frac{1}{8}$ O.D.—4 holes).....	3684771	1	.12
49-54	PASS.....	carburetor choke rod and tube thru dash,			
49-54	$\frac{1}{4}$ , 1 TON, UTIL.....	hood control wire thru dash, rubber,			
52-54	COMM.....	gas tank meter wire ( $\frac{1}{8}$ I.D. x 1 O.D.)... ..	3653742	1	.07
40-48	PASS.....	headlamp wires thru lamp body, rubber ( $\frac{3}{8}$ I.D. x 1 $\frac{1}{4}$ O.D.).....	5931584	2	.12
47-49	COMM., UTIL. (exc. D-D).....	horn wire thru strg. gear jacket,			
40-49	PASS.....	wiring harness,			
49	PASS.....	fresh air vent control cable,			
51-54	COMM., UTIL.....	license plate lamp wire thru body, rubber ( $\frac{3}{8}$ I.D. x $\frac{3}{8}$ O.D.).....	3696314	1	.05
41-53	PASS.....				
48-53	COMM., UTILITY.....				
41-46	COMM., UTIL. (exc. COE).....				
47-50	COMM., UTIL. (exc. D-D, SBC),				
51-53	COMM., UTIL. (exc. D-D).....				
49-50	PASS.....				
53-54	PASS. (exc. STA. WAG., SDL).....				



47-54	COE	tender skirt supt., rubber (3/8 I.D. x 1 1/8 O.D.)	3686411	4	.12
49-54	PASS.	wiring harness and speedo. cable, rubber (1 1/8 I.D. x 2 1/4 O.D.—2 holes)	3708180	1	.17
49-54	PASS.	throttle, oil gauge, heat ind., choke rod, rubber (1 1/2 O.D.—4 holes)	3695170	1	.13
50-54	COMM., UTIL (exc. D-D)	ammeter to starting switch wiring harness, rubber (1/2 I.D. x 1 1/4 O.D.)	3690820	1	.13
49	PASS.	parking brake rel. rod, rubber (1/4 I.D. x 3/4 O.D.)	3696521	1	.06
53-54	B, C	ammeter to starting switch wiring harness, rubber (1 1/8 O.D. x 3/8 I.D.)	3699171	1	.10
51	1/2, 3/4 TON, DUBL-DUTI	headlamp w/plastic wires (5/8 I.D. x 1 1/4 O.D.)	5942279	2	.06
52-54	COMM.	throttle, choke, windshield wiper (3/8 I.D. x 1 1/8 O.D.)	3710504	1	.15
53-54	PASS. (exc. P.G.)				
54	ALL				
54	UTILITY				

**RETAINER, Grommet**

32-39	ALL,				
40-46	COMM., UTIL	control tube grommet thru dash	367897	1	.08
40-48	PASS.,				
47-49	COMM., UTIL (exc. D-D)	(for grommet 3653785, 3696314)	3653786	1	.13

**9.777 FRAME, License Plate**

ALL	ALL	pair (stainless steel)	986708	1	3.25
-----	-----	------------------------	--------	---	------

**9.779 DEFROSTER PARTS, Windshield**

38-48	PASS.				
47-48	COMM., UTIL	MOTOR ASSY. (use w/all defrosters)	5047831	1	6.90
35-37	PASS. (exc. EC)	HOSE, heater defroster (1 1/4 I.D. x 29 in. lg.)	3109171	1	1.40
38-48	PASS.	HOSE, heater def. blower (1 1/2 I.D. x 35 in. lg.)	3119156	1	1.65
47-48	ALL	HOSE, (1 1/4 I.D. x 41 long) (cut to length as required)	3119719	1	1.50
49-54	COMM., UTIL	HOSE, def, right, elbow (w/airflow htr.)	3122073	1	.55
49-52	PASS.	HOSE, defroster, left (2 I.D. x 36 long)	3125764	1	1.40
49-54	ALL				
38-41	ALL,				
42-46	ALL (exc. COE),				
47-48	ALL	SWITCH ASSY., defroster (high and low)	3120407	1	1.25
38-40	PASS.	INLET ASSY., L., defroster	3109067	1	.55
39-46	COMM., UTILITY	INLET ASSY., blower	3112122	2	.55
42-48	PASS.	INLET ASSY., L., blower	3116312	1	.55
42-48	PASS.	INLET ASSY., R., blower	3116311	1	.55
47-53	COMM., UTILITY	INLET ASSY., defroster (1 3/4 dia. inlet)	3127649	A.R.	1.25
49-52	PASS.	INLET ASSY., defroster	3122369	2	1.25
53	PASS.	INLET ASSY., L., defroster (stamped steel)	3129970	1	.60
53	PASS.	INLET ASSY., R., defroster (stamped steel)	3129973	1	.60
53	COMM., UTILITY	INLET ASSY., L., defroster (2 dia. inlet)	3127850	1	1.25
54	COMM., UTILITY	INLET ASSY., R., defroster	3131354	1	.80
54	COMM., UTILITY	INLET ASSY., L., defroster	3131352	1	.80
41-48	PASS.	CLIP, inlet (part of 3116311-12)	3116230	2	.05
38	PASS.,				
39-47	ALL (exc. COE)	ADAPTER, heater blower	3116434	1	.55
42-48	PASS.	FAN ASSY., defroster (4 3/4 dia.)	3118916	1	1.25
46-48	ALL	FAN ASSY., defroster (3 1/2 dia.)	3118913	1	1.05
49-52	ALL (exc. DUBL-DUTI)	FITTING, "Y", (use w/dash heater)	3129826	1	.85
53	COMM., UTILITY (exc. D-D)	FITTING, "Y" (use w/airflow heater)	3130016	1	.40
53-54	PASS.	KNOB, "DEF" (ivory)	3129275	1	.11
51-52	PASS.	KNOB, temp. control (black plastic)	3128376	1	(8.852)
53-54	PASS.				

**9.782 ELBOW ASSY., Air Flow Duct**

49-52	PASS.	to cowl	3690233	1	4.31
-------	-------	---------	---------	---	------

**9.784 BAFFLE, Air Flow Duct**

49-50	PASS.	left	3688935	1	.85
49-50	PASS.	right	3688936	1	.85

51-52	PASS.....	left.....	3694945	1	.72
51-52	PASS.....	right.....	3694946	1	.72
53	PASS.....	left.....	3697855	1	.72
53	PASS.....	right.....	3697856	1	.72

**9.786 DUCT—ADAPTER—COUPLING—DISTRIBUTOR, Air Flow**

49-52	PASS.....	right (front section).....	3688772	1	1.40
49-52	PASS.....	left.....	3690197	1	3.95
53-54	PASS.....	left.....	3702167	1	3.95
53-54	PASS.....	right.....	3702168	1	3.95
53-54	ALL P/S.....	left (rubber—27½ long).....	3704092	1	2.70
53-54	ALL P/S.....	ADAPTER (6½ long—use w/3704092).....	3704095	1	1.15
49-54	PASS.....	COUPLING, duct assy.....	3688805	2	.22
49-50	PASS.....	DISTRIBUTOR, heater air.....	3127316	1	2.45
53-54	PASS.....	DISTRIBUTOR, heater (airflow).....	3128358	1	2.64

**9.787 ROD—KNOB, Air Flow Control, w/Tube**

47-53	COMM., UTILITY.....	(use w/air heater 986104).....	1990674	1	1.16
49	PASS.....	(vent control w/knob and brkt.).....	1990682	2	.93
49-54	PASS.....	(valve control cable).....	3122070*	1	.55
50	PASS.....	(vent control w/knob and brkt.).....	1990691	2	.93
51	II.....	(vent control w/knob and brkt.).....	1990699†	2	.85
51-52	JK, KK.....	(vent control w/knob and brkt.).....	1990739† A.R.		.85
52	KI.....	(vent control w/knob and brkt.).....	1990737†	1	.89
53-54	PASS.....	L. (vent. control w/knob and brkt.) (18¼ lg.).....	1990747	1	.90
53-54	PASS.....	R. (vent. control w/knob less brkt.) (31¼ lg.).....	1990751	1	.85
51-52	PASS.....	KNOB, "AIR" (ivory).....	3129273	1	.11
53-54	PASS.....	KNOB, fan control (black plastic).....	3128374	1	.10
53-54	PASS.....	KNOB, air control (black plastic).....	3128375	1	.10

†NOTE: Cut off 1¼ for use as L.H. Vent Control.

\*NOTE: 3122070 to be used for following additional applications:

1949	Heater Control Valve Cable	—cut 4¾ from wire and tubing
1949	Defroster Valve Cable	—cut 11½ from wire, 12 from tubing
1950	Heater Control Valve Cable	—cut 1¾ from wire and tubing
1950	Defroster Valve Cable	—cut 9¾ from wire, 10¼ from tubing
1951-52	Heater Air Valve Cable	—cut 11½ from wire, 10¾ from tubing
1951-52	Heater Control Valve Cable	—cut 17 from wire, 16½ from tubing
1951-52	Defroster Valve Cable	—cut 19½ from wire, 20 from tubing
1953-54	Defroster Valve Cable	—cut 27¾ from wire, 31¼ from tubing
1953-54	Heater Control Valve Cable	—cut 10¾ from wire, 12 from tubing
1953-54	Heater Recirculating Control Cable	—cut 17¾ from wire, 21½ from tubing
1953-54	Heater Air Valve Cable	—cut 17¾ from wire, 21½ from tubing

**9.795 CONTROL, Air Flow Heater**

47-54	COMM., UTILITY.....	(ranco valve) (for use w/986104).....	3119612	1	6.35
49-52	PASS.....	(ranco valve) (for use w/airflow heater).....	3125537	1	7.46
53-54	PASS.....	(ranco valve) (for use w/986629).....	3129491	1	7.46

**9.806 ROD ASSY., Air Flow Heater Temperature Control**

47-53	COMM., UTILITY.....	(for use w/986104).....	3119614	1	.70
-------	---------------------	-------------------------	---------	---	-----

**9.810 VALVE ASSY., Air Flow Ventilator**

49-50	PASS.....	in left hand duct.....	3688863	1	1.40
49-54	PASS.....	in right hand duct.....	3702022	1	1.40
51-54	PASS.....	.....	3695657*	2	1.22

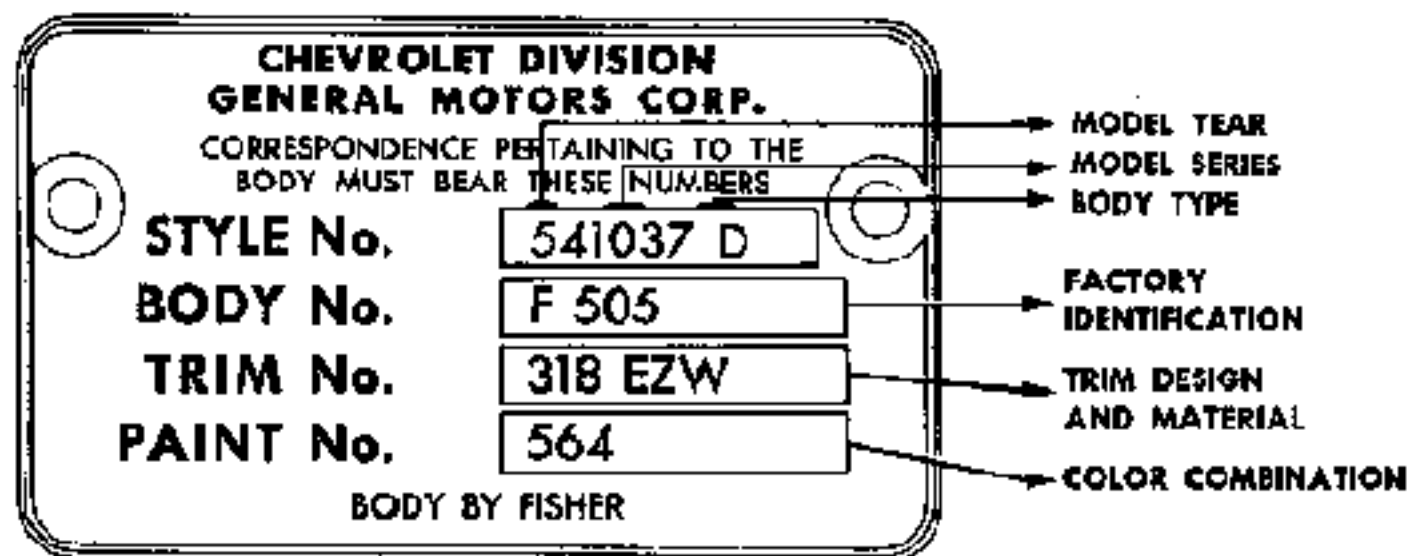
\*NOTE: Use as L.H. only on 1953-54 models.

# PASSENGER BODY PARTS SECTION

## Models—1929-1954

The identifying Job numbers used to designate model usage in this Passenger Body section are identical with the style number appearing on the Body Name Plate. This style number may be interpreted to give complete information as to the year, Model Series and type of Body, as shown below.

All correspondence and orders should include the information shown on the name-plate, which is located as follows: 1929 to 1936—Plate is on R.H. body sill under floor mat. (Except for roadster and phaeton—on these jobs the Plate is attached to the R.H. side seat frame.)—1937 to 1954—Plate is on R.H. side of cowl under hood.



All Models including Convertible, Station Wagon, and Sedan Delivery are referred to as PASSENGER.

Convertible . . . . . Conv.	Sedan Delivery . . . . . Sed.
Bel Air . . . . . B-A	Coupe . . . . . Cps.
Sport Coupe . . . . . Spt. Cpe.	Station Wagon (Steel) . . . . . Sta. Wag. (S)
Station Wagon (Wood) . . . . . Sta. Wag. (W)	

See Chart immediately following this page for typical listings of models by number.

See Passenger Body Model Number Sheet for Model Numbers

Commercial Body Model Identification Sheet Shown  
at Group 16.000

The following chart will serve to clarify the model abbreviations as listed in the Body Section of the Chevrolet Master Parts Catalog.

**MODEL REFERENCE CHART—1949-1954 MODELS**

CODE	MODELS					
	1949	1950	1951	1952	1953	1954
<b>FLEETLINE</b>	1007 1008 1207 1208	1007 1008 1207 1208	1007 1008 1207 1208	1007	—	—
<b>BEL AIR</b>	—	1037	1037	1037	1011WD 1037D 1067D 1069WD	1011WD 1037D 1062D 1067D 1069WD
<b>STATION WAGON</b>	1061 1062	1062	1062	1062	1062 1062F 1262F	1062D 1062F 1262F
<b>SPORT COUPE</b>	—	—	—	—	1037 1037D	1037D
<b>SERIES 1600</b>	1007 1008 1011 1027 1061 1062 1067 1069	1007 1008 1011 1027 1037 1062 1067 1069	1007 1008 1011 1027 1037 1062 1067 1069	1007 1011 1027 1037 1062 1067 1069	1011W 1011WD 1027 1037 1037D 1062 1062F 1067 1067D 1069W 1069WD	1011W 1011WA 1011WD 1037D 1062D 1062F 1067D 1069W 1069WD
<b>SERIES 1200</b>	1207 1208 1211 1227 1227B 1269 1271	1207 1208 1211 1227 1227B 1269 1271	1207 1208 1211 1227 1227B 1269 1271	1211 1227 1227B 1269 1271	1211 1227 1227B 1262F 1269 1271	1211W 1211WB 1262F 1269W 1271
<b>2 DOORS</b>	1007 1011 1027 1067 1207 1211 1227 1227B 1271	1007 1011 1027 1037 1067 1207 1211 1227 1227B 1271	1007 1011 1027 1037 1067 1207 1211 1227 1227B 1271	1007 1011 1027 1037 1067 1211 1227 1227B 1271	1011W 1011WD 1027 1037 1037D 1067 1067D 1211 1227 1227B 1271	1011W 1011WA 1011WD 1037D 1067D 1211W 1211WB 1271
<b>4 DOORS</b>	1008 1061 1062 1069 1208 1269	1008 1062 1069 1208 1269	1008 1062 1069 1208 1269	1062 1069 1269	1062 1062F 1069W 1069WD 1262F 1269	1062D 1062F 1069W 1069WD 1262F 1269W
<b>COUPES</b>	1027 1227 1227B	1027 1227 1227B	1027 1227 1227B	1027 1227 1227B	1027 1037 1037D 1227 1227B	1011WA 1037D
<b>1011</b>	1011	1011	1011	1011	1011W 1011WD	1011W 1011WA 1011WD
<b>1069</b>	1069	1069	1069	1069	1069W 1069WD	1069W 1069WD
<b>1211</b>	1211	1211	1211	1211	1211	1211W 1211WB



# PASSENGER BODY MODEL NUMBERS

This list will identify body styles with designated job numbers, to which some part listing will refer to in this section of the Parts Book. The nameplate on the car will furnish the body model numbers, serial number, trim combination number, and paint combination number. Refer to Paint Combination Chart, in Supplementary Data Section, for detailed information as to colors and Duco numbers.

## 1929

Model No.	Body Style	Model
8890	Convertible	Inter.
8870	Coach	Inter.
8840	Coupe—Sport	Inter.
8880	Coupe—Standard	Inter.
8860	Landau—Imperial	Inter.
8910	Sedan—Imperial	Inter.
8850	Sedan—Standard	Inter.
8900	Sedan—Delivery	Inter.

## 1930

30551	Coach	Univ.
30558	Coupe—Sport	Univ.
30557	Coupe—Standard	Univ.
30552	Sedan—Club	Univ.
30569	Sedan—Special	Univ.
30559	Sedan—Standard	Univ.
30570	Sedan—Delivery	Univ.

## 1931

31568	Convertible	Indep.
31551	Coach	Indep.
31572	Coupe—5-Pass.	Indep.
31567	Coupe—5-Window	Indep.
31558	Coupe—Sport	Indep.
31557	Coupe—Standard	Indep.
31571	Phaeton—Landau	Indep.
31569	Sedan—Special	Indep.
31559	Sedan—Standard	Indep.
31570	Sedan—Delivery	Indep.

## 1932

32568	Convertible	Confed.
32551	Coach	Confed.
32572	Coupe—5-Pass.	Confed.
32567	Coupe—5-Window	Confed.
32558	Coupe—Sport	Confed.
32557	Coupe—Standard	Confed.
32571	Phaeton—Landau	Confed.
32569	Sedan—Special	Confed.
32559	Sedan—Standard	Confed.
32570	Sedan—Delivery	Confed.

## 1933

33568	Convertible	Mas.
33551	Coach	Mas.
33601	Coach	Std.
33567	Coupe—5-Window	Mas.
33578	Coupe—Sport	Mas.
33628	Coupe—Sport	Std.
33607	Coupe—Standard	Std.
33559	Sedan—Standard	Mas.
33581	Sedan—Town	Mas.
33570	Sedan—Delivery	Mas.

## 1934

Model No.	Body Style	Model
34568	Convertible	Mas.
34551	Coach	Mas.
34601	Coach	Std.
*351201	Coach	Std.
34567	Coupe—5-Window	Mas.
34578	Coupe—Sport	Mas.
34607	Coupe—Standard	Std.
*351207	Coupe—Standard	Std.
34569	Sedan—Sport	Mas.
34559	Sedan—Standard	Mas.
*351209	Sedan—Standard	Std.
34581	Sedan—Town	Mas.
34570	Sedan—Delivery	Mas.
*351271	Sedan—Delivery	Std.

## 1935

351000	All	Master Series
351200	All	Standard Series
351001	Coach	Mas.
†351201A	Coach	Std.
351017	Coupe—5-Window	Mas.
351057	Coupe—Sport	Mas.
†351207A	Coupe—Standard	Std.
351019	Sedan—Sport	Mas.
351009	Sedan—Standard	Mas.
†351209A	Sedan—Standard	Std.
351011	Sedan—Town	Mas.
†351271A	Sedan—Delivery	Std.

## 1936

361000	All	Master Series
361200	All	Standard Series
361267	Convertible	Std.
361001	Coach	Mas.
*361201	Coach	Std.
361017	Coupe—5-Window	Mas.
361217	Coupe—5-Window	Std.
361057	Coupe—Sport	Mas.
361019	Sedan—Sport	Mas.
*361219	Sedan—Sport	Std.
361009	Sedan—Standard	Mas.
361209	Sedan—Standard	Std.
361011	Sedan—Town	Mas.
361211	Sedan—Town	Std.
361271	Sedan—Delivery	Std.

## 1937

371000	All	DeLuxe Master Series
371200	All	Master Series
371067	Convertible	D. Mas.
371001	Coach	D. Mas.
371201	Coach	Mas.
371017	Coupe—5-Window	D. Mas.
371217	Coupe—5-Window	Mas.
371087	Coupe—Sport	D. Mas.

\*1935 Style Bodies on 1934 "DC" Chassis.

†1935 Style Bodies on 1935 "EC" Chassis.

\*Standard Jobs having the Letter "Z" after the Body Model Number are equipped with Steel Doors.

## PASSENGER BODY MODEL NUMBERS (Cont.)

### 1937 (Cont.)

Model No.	Body Style	Model
371019	Sedan—Sport	D. Mas.
371219	Sedan—Sport	Mas.
371009	Sedan—Standard	D. Mas.
371209	Sedan—Standard	Mas.
371011	Sedan—Town	D. Mas.
371211	Sedan—Town	Mas.
371271	Sedan—Delivery	Mas.

### 1938

381000	All	DeLuxe Master Series
381200	All	Master Series
381067	Convertible	D. Mas.
381001	Coach	D. Mas.
381201	Coach	Mas.
381017	Coupe—5-Window	D. Mas.
381217	Coupe—5-Window	Mas.
381087	Coupe—Sport	D. Mas.
381019	Sedan—Sport	D. Mas.
381219	Sedan—Sport	Mas.
381009	Sedan—Standard	D. Mas.
381209	Sedan—Standard	Mas.
381011	Sedan—Town	D. Mas.
381211	Sedan—Town	Mas.
381271	Sedan—Delivery	Mas.

### 1939

391000	All	DeLuxe Master Series
391200	All	Master "85" Series
391001	Coach	D. Mas.
391201	Coach	Mas. "85"
391017	Coupe—5-Window	D. Mas.
391217	Coupe—5-Window	Mas. "85"
391027	Coupe—w/Aux. Seats	D. Mas.
391019	Sedan—Sport	D. Mas.
391219	Sedan—Sport	Mas. "85"
391009	Sedan—Standard	D. Mas.
391209	Sedan—Standard	Mas. "85"
391011	Sedan—Town	D. Mas.
391211	Sedan—Town	Mas. "85"
391271	Sedan—Delivery	Mas. "85"

### 1940

401000	All	Special DeLuxe Series
401500	All	Master DeLuxe Series
401200	All	Master "85" Series
401067	Convertible	Spec. DeL.
401017	Coupe	Spec. DeL.
401517	Coupe	Mas. DeL.
401217	Coupe	Mas. "85"
401027	Coupe—w/Aux. Seat	Spec. DeL.
401527	Coupe—w/Aux. Seat	Mas. DeL.
401019	Sedan—Sport	Spec. DeL.
401519	Sedan—Sport	Mas. DeL.
401219	Sedan—Sport	Mas. "85"
401011	Sedan—Town	Spec. DeL.
401511	Sedan—Town	Mas. DeL.
401211	Sedan—Town	Mas. "85"
401571	Sedan Delivery	Mas. DeL.
401271	Sedan Delivery	Mas. "85"

### 1941

Model No.	Body Style	Model
411000	All	Special DeLuxe Series
411200	All	Master DeLuxe Series
411067	Convertible	Spec. DeL.
411027	Coupe—4-Pass.	Spec. DeL.
411227	Coupe—4-Pass.	Mas. DeL.
411027B	Coupe—2-Pass.	Spec. DeL.
411227B	Coupe—2-Pass.	Mas. DeL.
411227P	Coupe—2-Pass. w/Pick-Up Box	Mas. DeL.
411019	Sedan—Sport, 4 Door	Spec. DeL.
411219	Sedan—Sport, 4 Door	Mas. DeL.
411069	Sedan—Fl. Line, 4-Dr.	Spec. DeL.
411011	Sedan—Town, 2 Door	Spec. DeL.
411211	Sedan—Town, 2 Door	Mas. DeL.
411271	Sedan Delivery	Mas. DeL.

### 1942

421000	All	{ Special DeLuxe Series Fleetline
421200	All	Master DeLuxe Series
421007	Aerosedan	Fleetline
421069	Sedan—4-Door	Fleetline
421067	Convertible	Spec. DeL.
421027	Coupe—4-Pass.	Spec. DeL.
421227	Coupe—4-Pass.	Mas. DeL.
421027B	Coupe—2-Pass.	Spec. DeL.
421227B	Coupe—2-Pass.	Mas. DeL.
421227P	Coupe—2-Pass. w/Pick-Up Box	Mas. DeL.
421019	Sedan—Sport, 4-Door	Spec. DeL.
421219	Sedan—Sport, 4-Door	Mas. DeL.
421011	Sedan—Town, 2-Door	Spec. DeL.
421211	Sedan—Town, 2-Door	Mas. DeL.
421271	Sedan Delivery	Mas. DeL.

### 1943

451000	All	{ Fleetmaster Fleetline
451200	All	Stylomaster
451007	Aerosedan	Fleetline
451069	Sedan—4-Door	Fleetline
451067	Convertible	Spec. DeL.
451027	Coupe—4-Pass.	Fl. Master
451227	Coupe—4-Pass.	St. Master
451227B	Coupe—2-Pass.	St. Master
451019	Sedan—Sport, 4-Door	Fl. Master
451219	Sedan—Sport, 4-Door	St. Master
451011	Sedan—Town, 2-Door	Fl. Master
451211	Sedan—Town, 2-Door	St. Master
451271	Sedan Delivery	St. Master

### 1947

471000	All	{ Fleetmaster Fleetline
471200	All	Stylomaster
471007	Aerosedan	Fleetline
471069	Sedan—4-Door	Fleetline
471067	Convertible	Fl. Master
471027	Coupe—6-Pass.	Fl. Master
471227	Coupe—6-Pass.	St. Master
471227B	Coupe—3-Pass.	St. Master
471019	Sedan—Sport, 4-Door	Fl. Master

## PASSENGER BODY MODEL NUMBERS (Cont.)

### 1947 (Cont.)

Model No.	Body Style	Model
471219	Sedan—Sport, 4-Door	St. Master
471011	Sedan—Town, 2-Door	Fl. Master
471211	Sedan—Town, 2-Door	St. Master
471271	Sedan Delivery	St. Master

### 1948

Model No.	Body Style	Model
481000	All	{ Fleetmaster Fleetline
481200	All	Stylenmaster
481007	Aerosedan	Fleetline
481069	Sedan—4-Door	Fleetline
481067	Convertible	Fl. Master
481027	Coupe—6-Pass.	Fl. Master
481227	Coupe—6-Pass.	St. Master
481227B	Coupe—3-Pass.	St. Master
481019	Sedan—Sport, 4-Door	Fl. Master
481219	Sedan—Sport, 4-Door	St. Master
481011	Sedan—Town, 2-Door	Fl. Master
481211	Sedan—Town, 2-Door	St. Master
481271	Sedan Delivery	St. Master

### 1949

Model No.	Body Style	Model
491000 (2100)	All	{ Fleetline DeLuxe Styleline DeLuxe
491200 (1500)	All	{ Fleetline Spec. Styleline Spec.
491007 (2152)	Sedan—2-Door	Fl. DeL.
491207 (1552)	Sedan—2-Door	Fl. Spec.
491008 (2153)	Sedan—4-Door	Fl. DeL.
491208 (1553)	Sedan—4-Door	Fl. Spec.
491067 (2134)	Convertible	St. DeL.
491027 (2124)	Coupe—6-Pass.	St. DeL.
491227 (1524)	Coupe—6-Pass.	St. Spec.
491227B (1504)	Coupe—3-Pass.	St. Spec.
491011 (2102)	Sedan—2-Door	St. DeL.
491211 (1502)	Sedan—2-Door	St. Spec.
491069 (2103)	Sedan—4-Door	St. DeL.
491269 (1503)	Sedan—4-Door	St. Spec.
491061 (2109)	Station Wagon (Wood)	St. DeL.
491062 (2119)	Station Wagon (Steel)	St. DeL.
491271 (1508)	Sedan Delivery	St. Spec.

### 1950

Model No.	Body Style	Model
501000 (2100)	All	{ Fleetline DeLuxe Styleline DeLuxe
501200 (1500)	All	{ Fleetline Special Styleline Special
501007 (2152)	Sedan—2-Door	Fl. DeL.
501207 (1552)	Sedan—2-Door	Fl. Spec.
501008 (2153)	Sedan—4-Door	Fl. DeL.
501208 (1553)	Sedan—4-Door	Fl. Spec.
501067 (2134)	Convertible	St. DeL.
501037 (2154)	Bel Air	St. DeL.
501027 (2124)	Coupe—6-Pass.	St. DeL.
501227 (1524)	Coupe—6-Pass.	St. Spec.
501227B (1504)	Coupe—3-Pass.	St. Spec.
501011 (2102)	Sedan—2-Door	St. DeL.
501211 (1502)	Sedan—2-Door	St. Spec.
501069 (2103)	Sedan—4-Door	St. DeL.
501269 (1503)	Sedan—4-Door	St. Spec.
501062 (2119)	Station Wagon	St. DeL.
501271 (1508)	Sedan Delivery	St. Spec.

### 1951

Model No.	Body Style	Model
511000 (2100)	All	{ Fleetline DeLuxe Styleline DeLuxe
511200 (1500)	All	{ Fleetline Special Styleline Special
511007 (2152)	Sedan—2-Door	Fl. DeL.
511207 (1552)	Sedan—2-Door	Fl. Spec.
511008 (2153)	Sedan—4-Door	Fl. DeL.
511208 (1553)	Sedan—4-Door	Fl. Spec.
511067 (2134)	Convertible	St. DeL.
511037 (2154)	Bel Air	St. DeL.
511027 (2124)	Coupe—6-Pass.	St. DeL.
511227 (1524)	Coupe—6-Pass.	St. Spec.
511227B (1504)	Coupe—3-Pass.	St. Spec.
511011 (2102)	Sedan—2-Door	St. DeL.
511211 (1502)	Sedan—2-Door	St. Spec.
511069 (2103)	Sedan—4-Door	St. DeL.
511269 (1503)	Sedan—4-Door	St. Spec.
511062 (2119)	Station Wagon	St. DeL.
511271 (1508)	Sedan Delivery	St. Spec.

### 1952

Model No.	Body Style	Model
521000 (2100)	All	{ Fleetline DeLuxe Styleline DeLuxe
521200 (1500)	All	Styleline Special
521007 (2152)	Sedan—2-Door	Fl. DeL.
521067 (2134)	Convertible	St. DeL.
521037 (2154)	Bel Air	St. DeL.
521027 (2124)	Coupe—6-Pass.	St. DeL.
521227 (1524)	Coupe—6-Pass.	St. Spec.
521227B (1504)	Coupe—3-Pass.	St. Spec.
521011 (2102)	Sedan—2-Door	St. DeL.
521211 (1502)	Sedan—2-Door	St. Spec.
521069 (2103)	Sedan—4-Door	St. DeL.
521269 (1503)	Sedan—4-Door	St. Spec.
521062 (2119)	Station Wagon	St. DeL.
521271 (1508)	Sedan Delivery	St. Spec.

### 1953

Model No.	Body Style	Model
531000 (2400, All, 2100)	All	{ Bel Air Two-Ten
531200 (1500)	All	One-Fifty
531011WD (2402)	Sedan—2-Door	Bel Air
531037D (2454)	Sport Coupe	Bel Air
531067D (2434)	Convertible	Bel Air
531069WD (2403)	Sedan—4-Door	Bel Air
531011W (2102)	Sedan—2-Door	Two-Ten
531027 (2124)	Club Coupe	Two-Ten
531037 (2154)	Sport Coupe	Two-Ten
531062 (2119)	Station Wagon "Townsmen" (8 Pass.)	Two-Ten
531062F (2109)	Station Wagon "Handyman" (6 Pass.)	Two-Ten
531067 (2134)	Convertible	Two-Ten
531069W (2103)	Sedan—4-Door	Two-Ten
531211 (1502)	Sedan—2-Door	One-Fifty
531227 (1524)	Club Coupe	One-Fifty
531227B (1504)	Business Coupe	One-Fifty
531262F (1509)	Station Wagon "Handyman" (6 Pass.)	One-Fifty
531269 (1503)	Sedan—4-Door	One-Fifty
531271 (1508)	Sedan Delivery	One-Fifty

## PASSENGER BODY MODEL NUMBERS (Cont.)

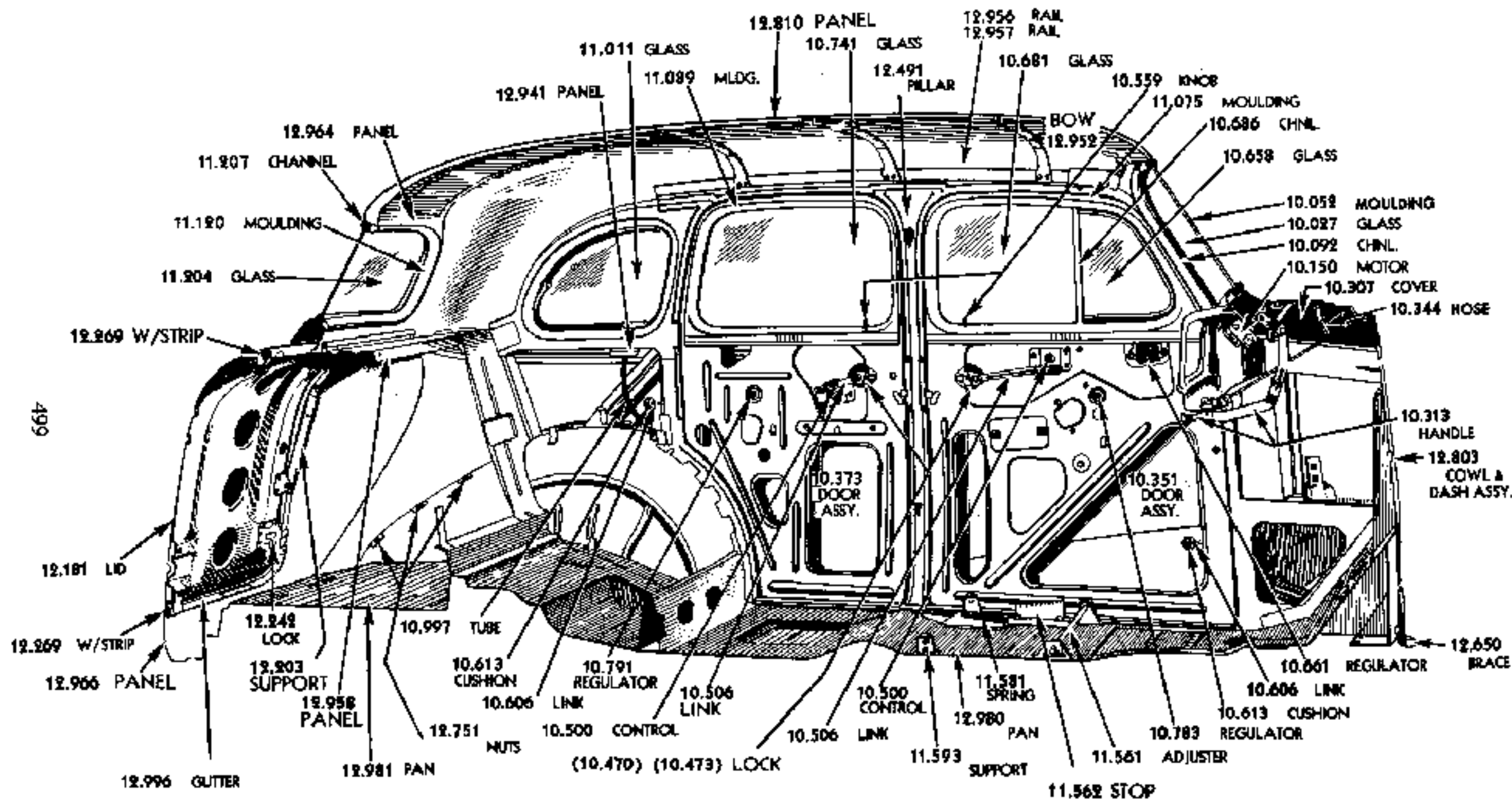
1954

Model No.	Body Style	Model
541000	(2400, 2100) All	{ Bel Air Two-Ten
541200	(1500) All	One-Fifty
541011WD	(2402) Sedan—2-Door	Bel Air
541037D	(2454) Sport Coupe	Bel Air
541067D	(2434) Convertible	Bel Air
541069WD	(2403) Sedan—4-Door	Bel Air
541062D	(2419) Station Wagon "Townsmen" (8 Pass.)	Bel Air
541011W	(2102) Sedan—2-Door	Two-Ten
541011WA	(2124) Club Coupe	Two-Ten
541062F	(2109) Station Wagon "Handyman" (6 Pass.)	Two-Ten
541069W	(2103) Sedan—4-Door	Two-Ten
541211W	(1502) Sedan—2-Door	One-Fifty
541211WB	(1512) Utility Sedan	One-Fifty
541262F	(1509) Station Wagon "Handyman" (6 Pass.)	One-Fifty
541269W	(1503) Sedan—4-Door	One-Fifty
541271	(1508) Sedan Delivery	One-Fifty

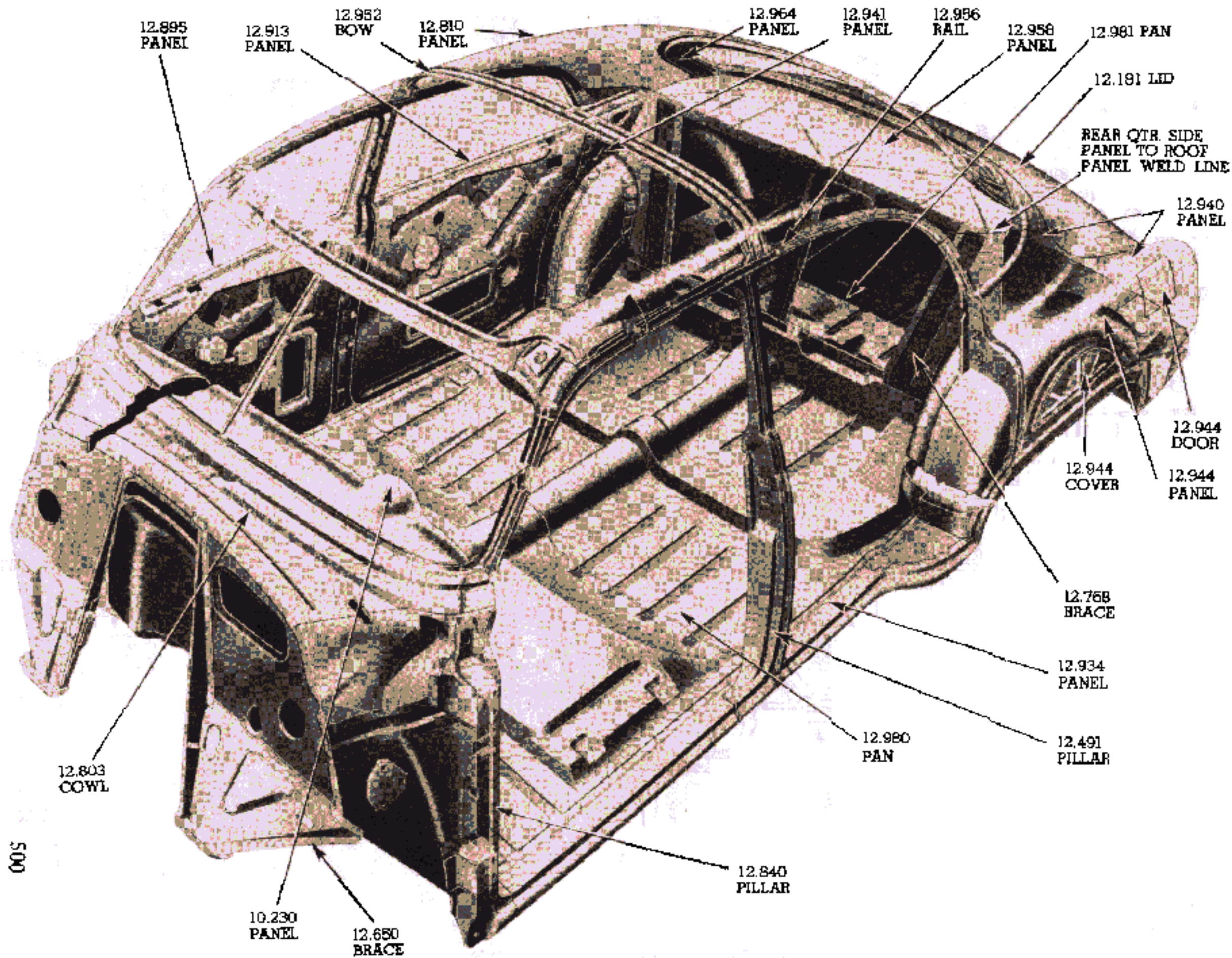
---

**NOTE**—Station Wagon Body Parts for the years 1946-54 are now being listed in the Master Parts Catalog along with other comparable parts. For 1939-42 parts list on Station Wagon refer to Supplement for Special Models (P&A 24D).





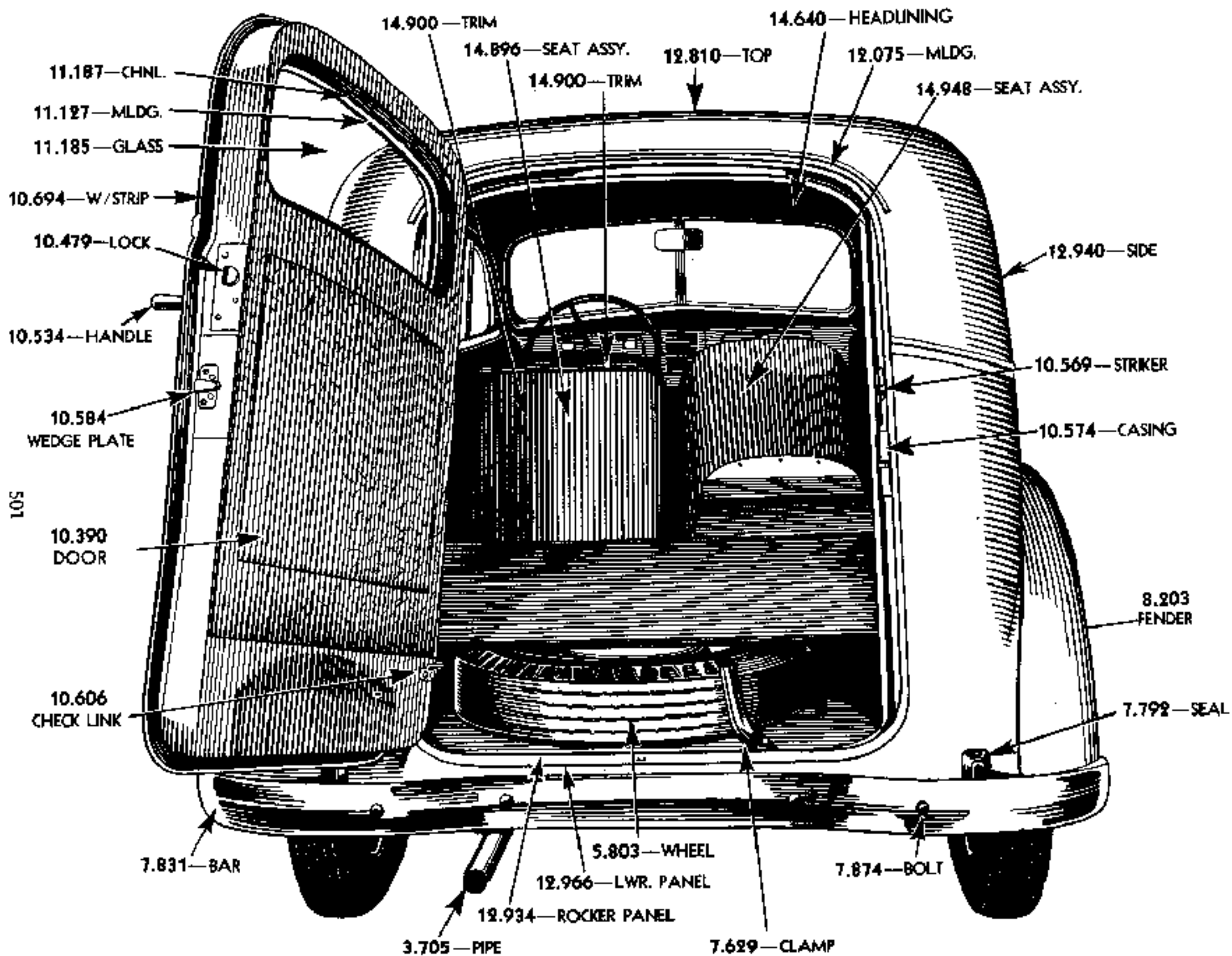
**BODY PANELS AND METAL PARTS**



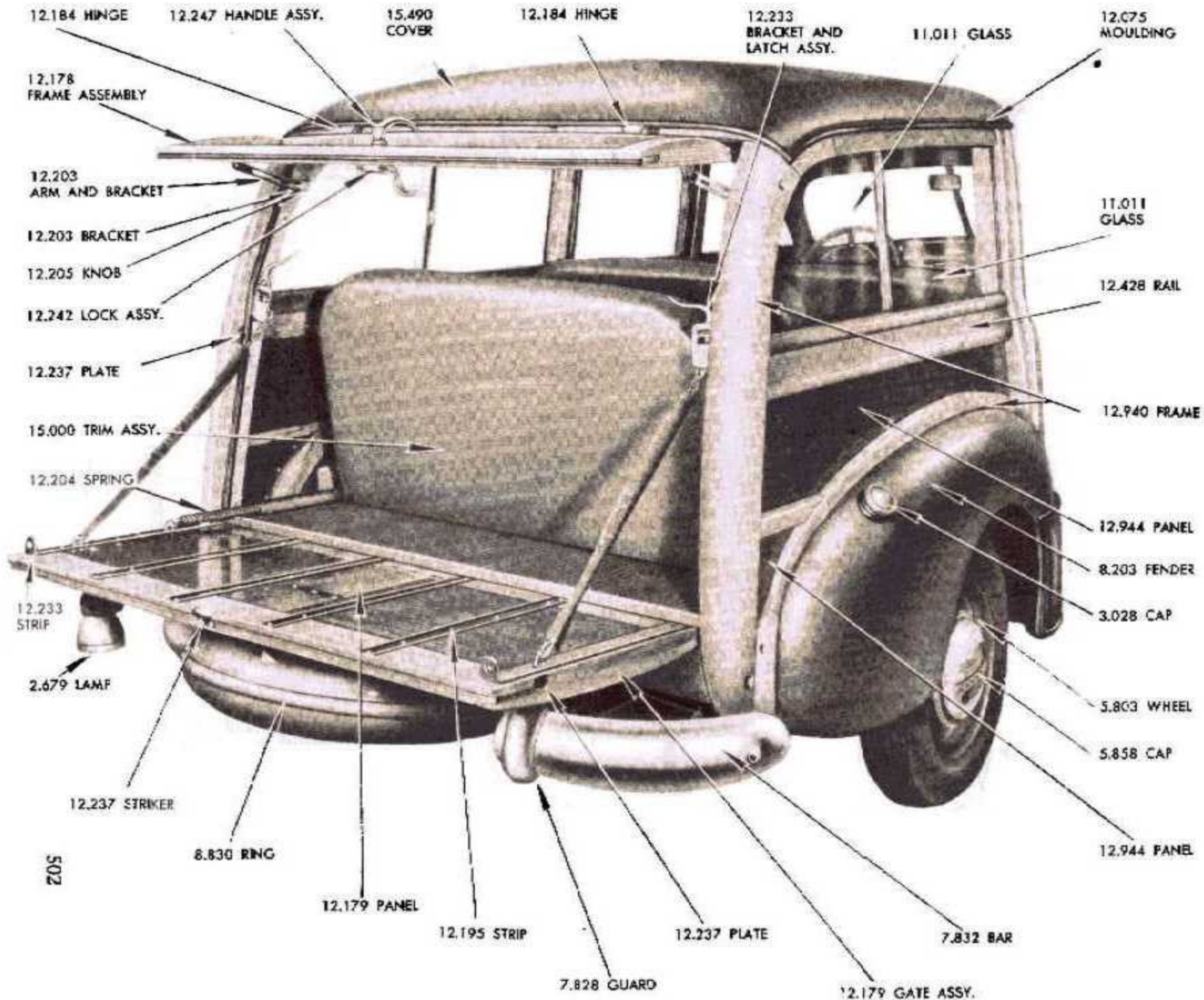
500

**PHANTOM VIEW—1949 4-DOOR SEDAN**





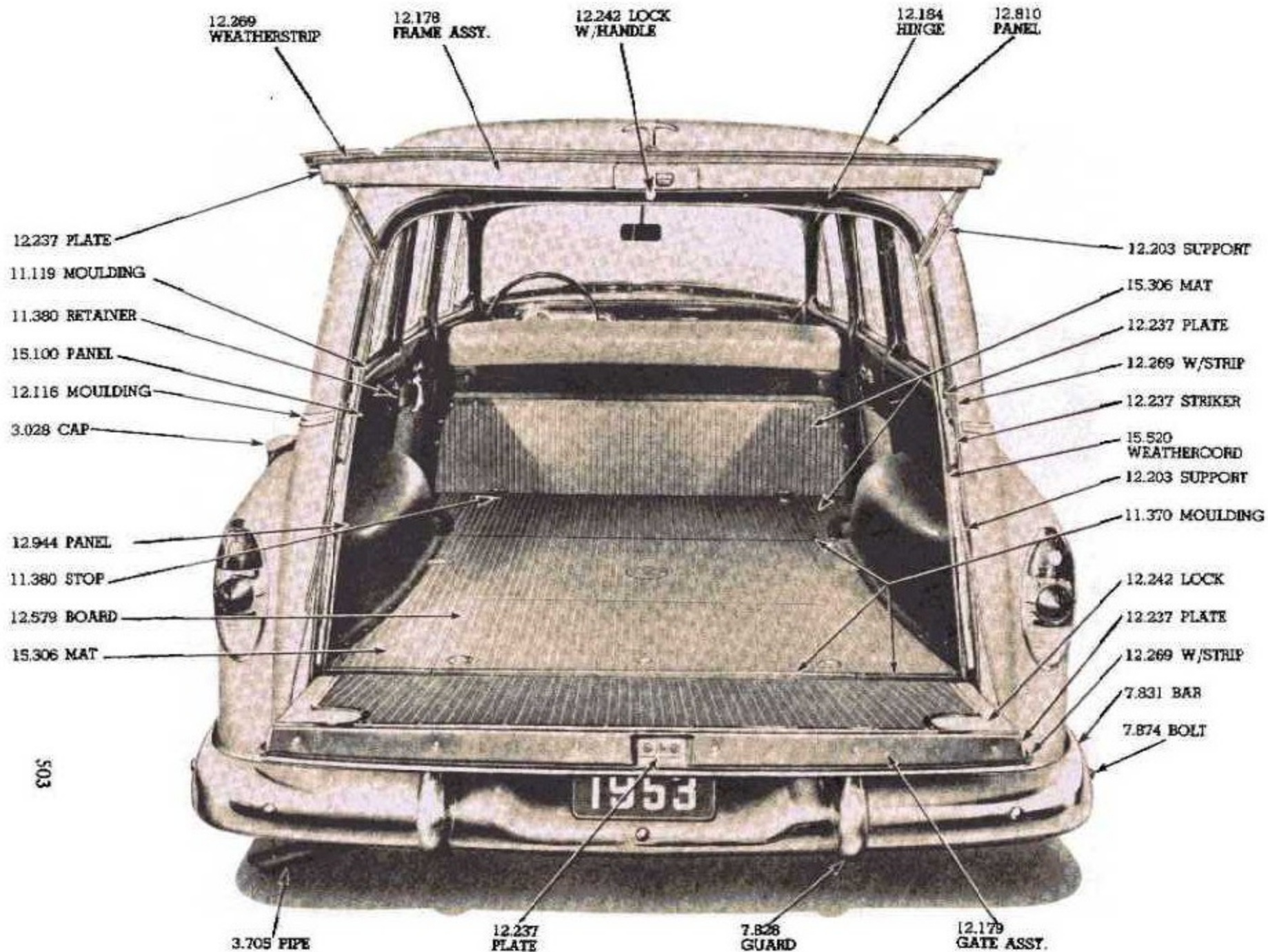
**SEDAN DELIVERY BODY**



502

**1946-48 STATION WAGON**

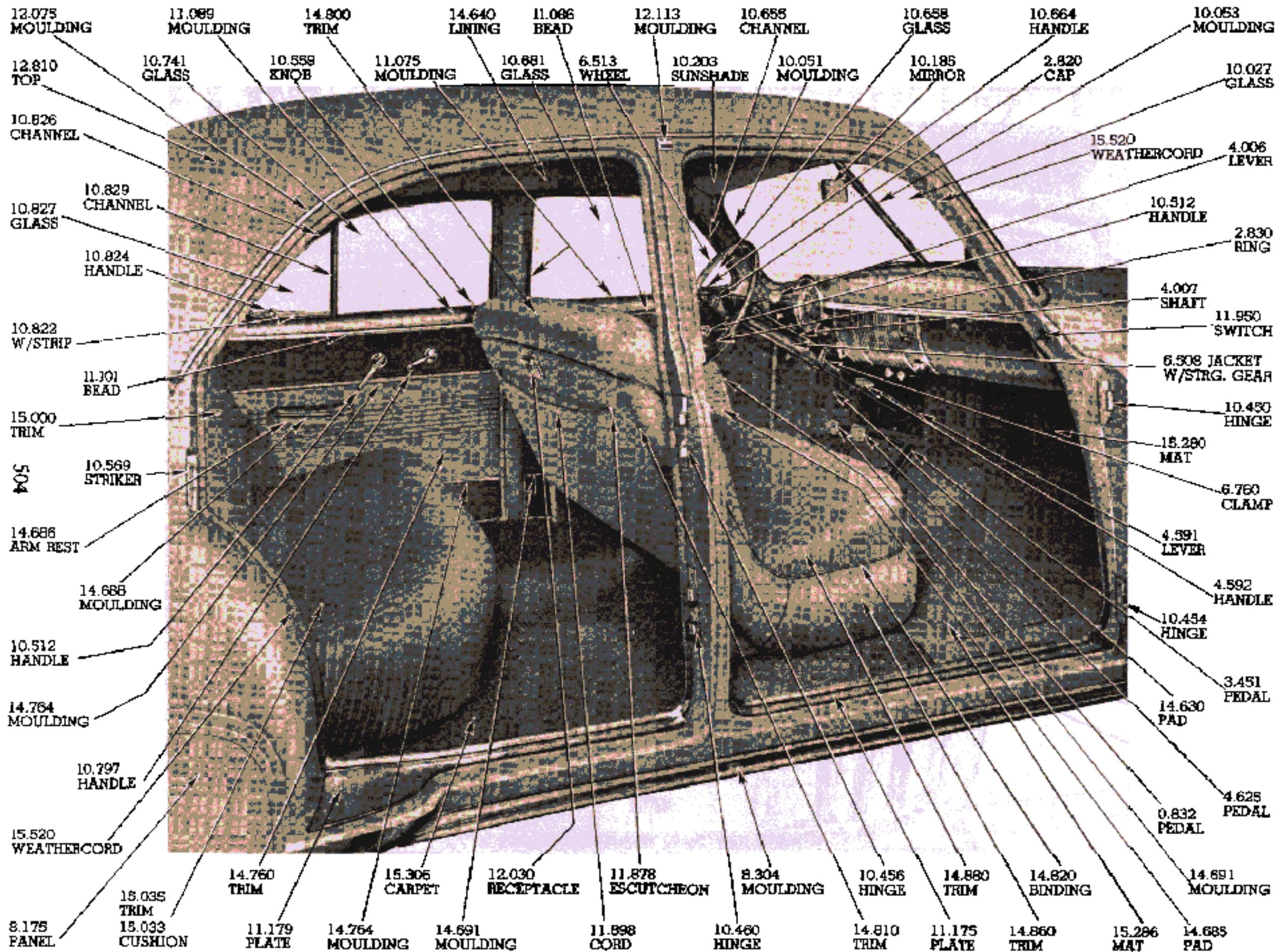




503

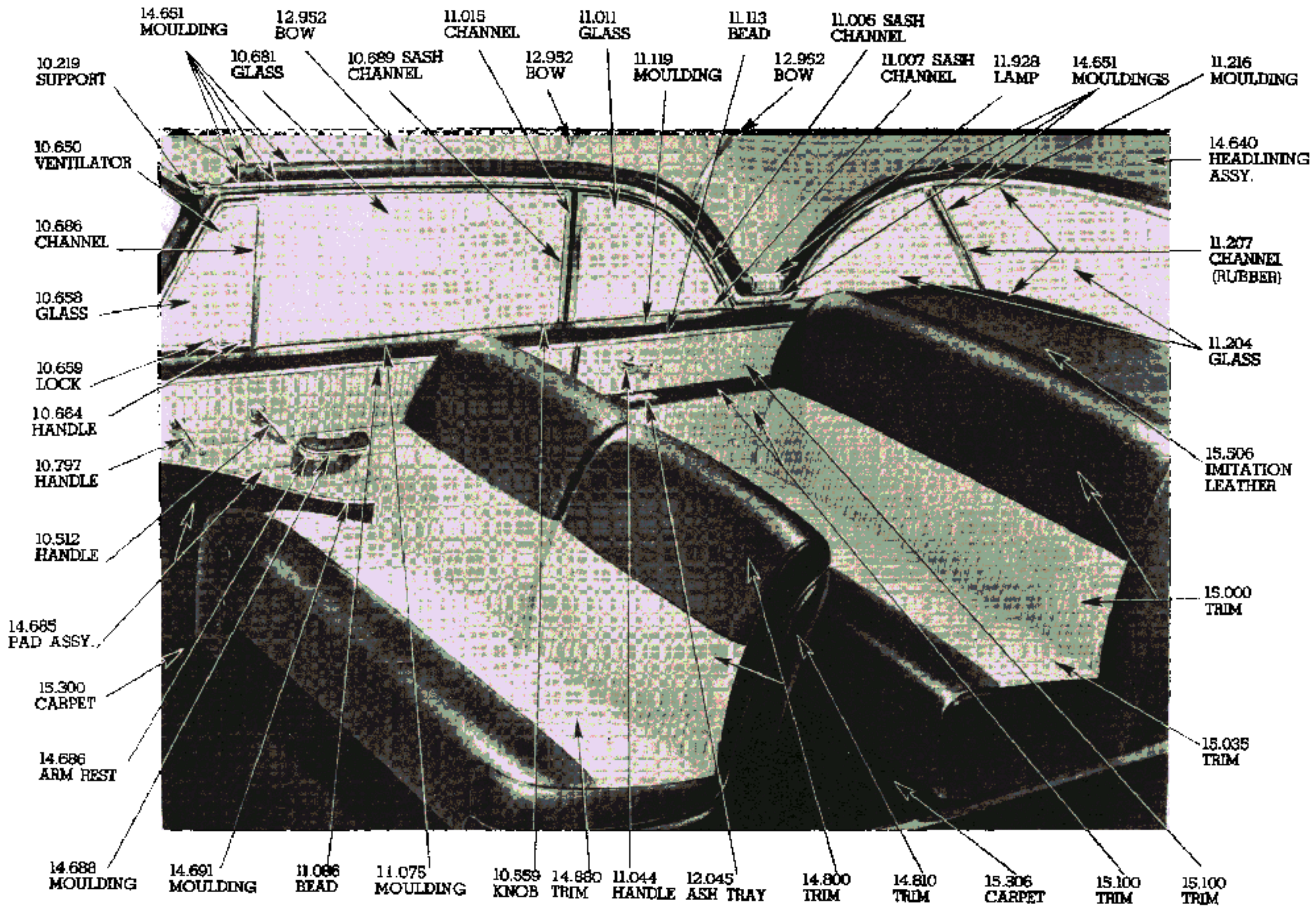
**1953 STATION WAGON—SIX PASS. "HANDYMAN"**





**INTERIOR VIEW—1949 4-DOOR SEDAN**

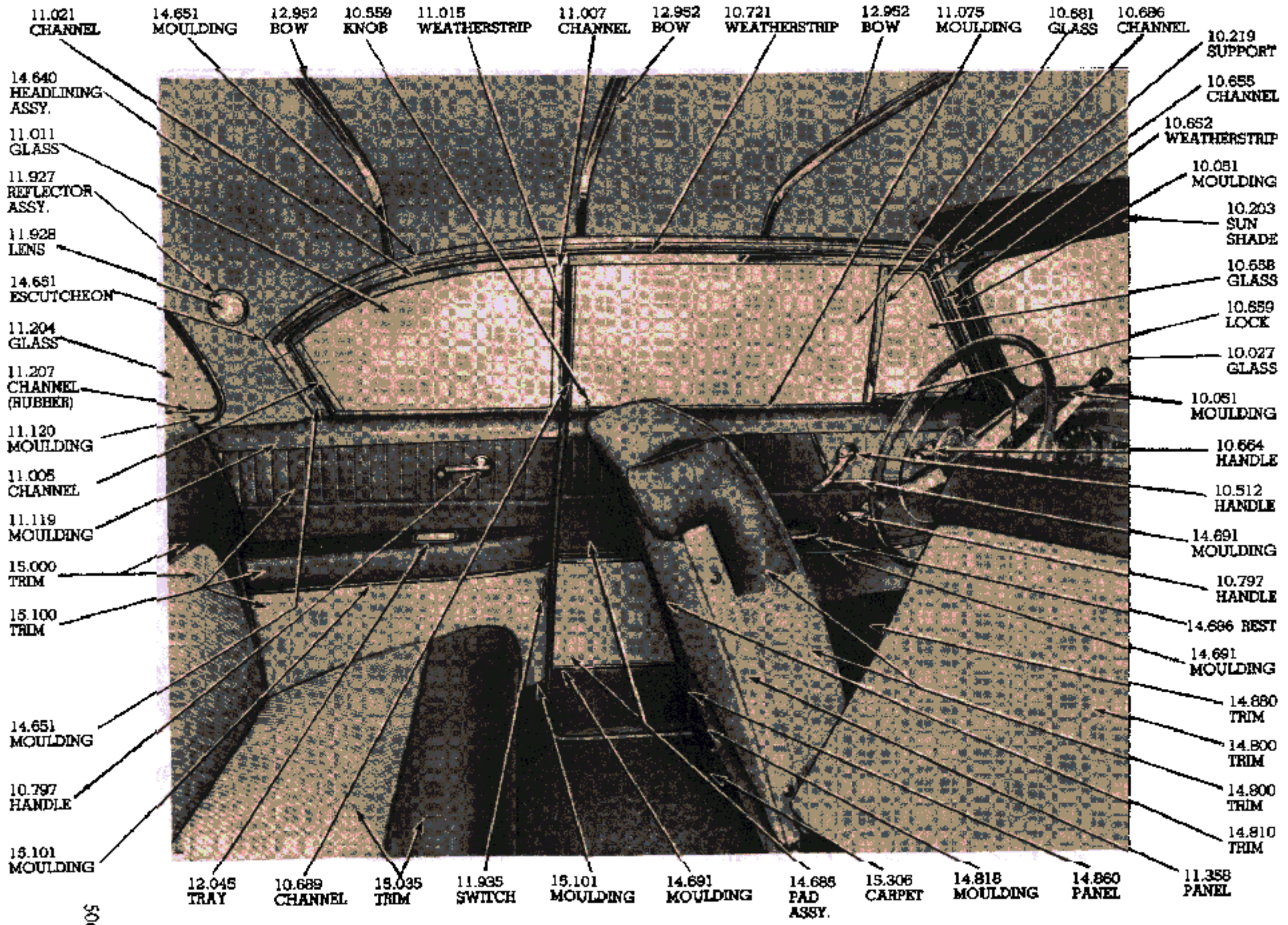




505

1950-52 BEL AIR INTERIOR VIEW





11.021 CHANNEL  
 14.640 HEADLINING ASSY.  
 11.011 GLASS  
 11.927 REFLECTOR ASSY.  
 11.928 LENS  
 14.651 ESCUTCHEON  
 11.204 GLASS  
 11.207 CHANNEL (RUBBER)  
 11.120 MOULDING  
 11.005 CHANNEL  
 11.119 MOULDING  
 15.000 TRIM  
 15.100 TRIM  
 14.651 MOULDING  
 10.797 HANDLE  
 15.101 MOULDING

14.651 MOULDING  
 12.952 BOW  
 10.559 KNOB  
 11.015 WEATHERSTRIP  
 11.007 CHANNEL  
 12.952 BOW  
 10.721 WEATHERSTRIP  
 12.952 BOW  
 11.075 MOULDING  
 10.681 GLASS  
 10.686 CHANNEL  
 10.219 SUPPORT  
 10.655 CHANNEL  
 10.652 WEATHERSTRIP  
 10.051 MOULDING  
 10.203 SUN SHADE  
 10.658 GLASS  
 10.659 LOCK  
 10.027 GLASS  
 10.051 MOULDING  
 10.664 HANDLE  
 10.512 HANDLE  
 14.691 MOULDING  
 10.797 HANDLE  
 14.686 REST  
 14.691 MOULDING  
 14.880 TRIM  
 14.800 TRIM  
 14.900 TRIM  
 14.810 TRIM

12.045 TRAY  
 10.689 CHANNEL  
 15.035 TRIM  
 11.935 SWITCH  
 15.101 MOULDING  
 14.691 MOULDING  
 14.685 PAD ASSY.  
 15.306 CARPET  
 14.818 MOULDING  
 14.860 PANEL  
 11.358 PANEL

10.219 SUPPORT  
 10.655 CHANNEL  
 10.652 WEATHERSTRIP  
 10.051 MOULDING  
 10.203 SUN SHADE  
 10.658 GLASS  
 10.659 LOCK  
 10.027 GLASS  
 10.051 MOULDING  
 10.664 HANDLE  
 10.512 HANDLE  
 14.691 MOULDING  
 10.797 HANDLE  
 14.686 REST  
 14.691 MOULDING  
 14.880 TRIM  
 14.800 TRIM  
 14.900 TRIM  
 14.810 TRIM

10.219 SUPPORT  
 10.655 CHANNEL  
 10.652 WEATHERSTRIP  
 10.051 MOULDING  
 10.203 SUN SHADE  
 10.658 GLASS  
 10.659 LOCK  
 10.027 GLASS  
 10.051 MOULDING  
 10.664 HANDLE  
 10.512 HANDLE  
 14.691 MOULDING  
 10.797 HANDLE  
 14.686 REST  
 14.691 MOULDING  
 14.880 TRIM  
 14.800 TRIM  
 14.900 TRIM  
 14.810 TRIM

10.219 SUPPORT  
 10.655 CHANNEL  
 10.652 WEATHERSTRIP  
 10.051 MOULDING  
 10.203 SUN SHADE  
 10.658 GLASS  
 10.659 LOCK  
 10.027 GLASS  
 10.051 MOULDING  
 10.664 HANDLE  
 10.512 HANDLE  
 14.691 MOULDING  
 10.797 HANDLE  
 14.686 REST  
 14.691 MOULDING  
 14.880 TRIM  
 14.800 TRIM  
 14.900 TRIM  
 14.810 TRIM

10.219 SUPPORT  
 10.655 CHANNEL  
 10.652 WEATHERSTRIP  
 10.051 MOULDING  
 10.203 SUN SHADE  
 10.658 GLASS  
 10.659 LOCK  
 10.027 GLASS  
 10.051 MOULDING  
 10.664 HANDLE  
 10.512 HANDLE  
 14.691 MOULDING  
 10.797 HANDLE  
 14.686 REST  
 14.691 MOULDING  
 14.880 TRIM  
 14.800 TRIM  
 14.900 TRIM  
 14.810 TRIM

10.219 SUPPORT  
 10.655 CHANNEL  
 10.652 WEATHERSTRIP  
 10.051 MOULDING  
 10.203 SUN SHADE  
 10.658 GLASS  
 10.659 LOCK  
 10.027 GLASS  
 10.051 MOULDING  
 10.664 HANDLE  
 10.512 HANDLE  
 14.691 MOULDING  
 10.797 HANDLE  
 14.686 REST  
 14.691 MOULDING  
 14.880 TRIM  
 14.800 TRIM  
 14.900 TRIM  
 14.810 TRIM

10.219 SUPPORT  
 10.655 CHANNEL  
 10.652 WEATHERSTRIP  
 10.051 MOULDING  
 10.203 SUN SHADE  
 10.658 GLASS  
 10.659 LOCK  
 10.027 GLASS  
 10.051 MOULDING  
 10.664 HANDLE  
 10.512 HANDLE  
 14.691 MOULDING  
 10.797 HANDLE  
 14.686 REST  
 14.691 MOULDING  
 14.880 TRIM  
 14.800 TRIM  
 14.900 TRIM  
 14.810 TRIM

10.219 SUPPORT  
 10.655 CHANNEL  
 10.652 WEATHERSTRIP  
 10.051 MOULDING  
 10.203 SUN SHADE  
 10.658 GLASS  
 10.659 LOCK  
 10.027 GLASS  
 10.051 MOULDING  
 10.664 HANDLE  
 10.512 HANDLE  
 14.691 MOULDING  
 10.797 HANDLE  
 14.686 REST  
 14.691 MOULDING  
 14.880 TRIM  
 14.800 TRIM  
 14.900 TRIM  
 14.810 TRIM

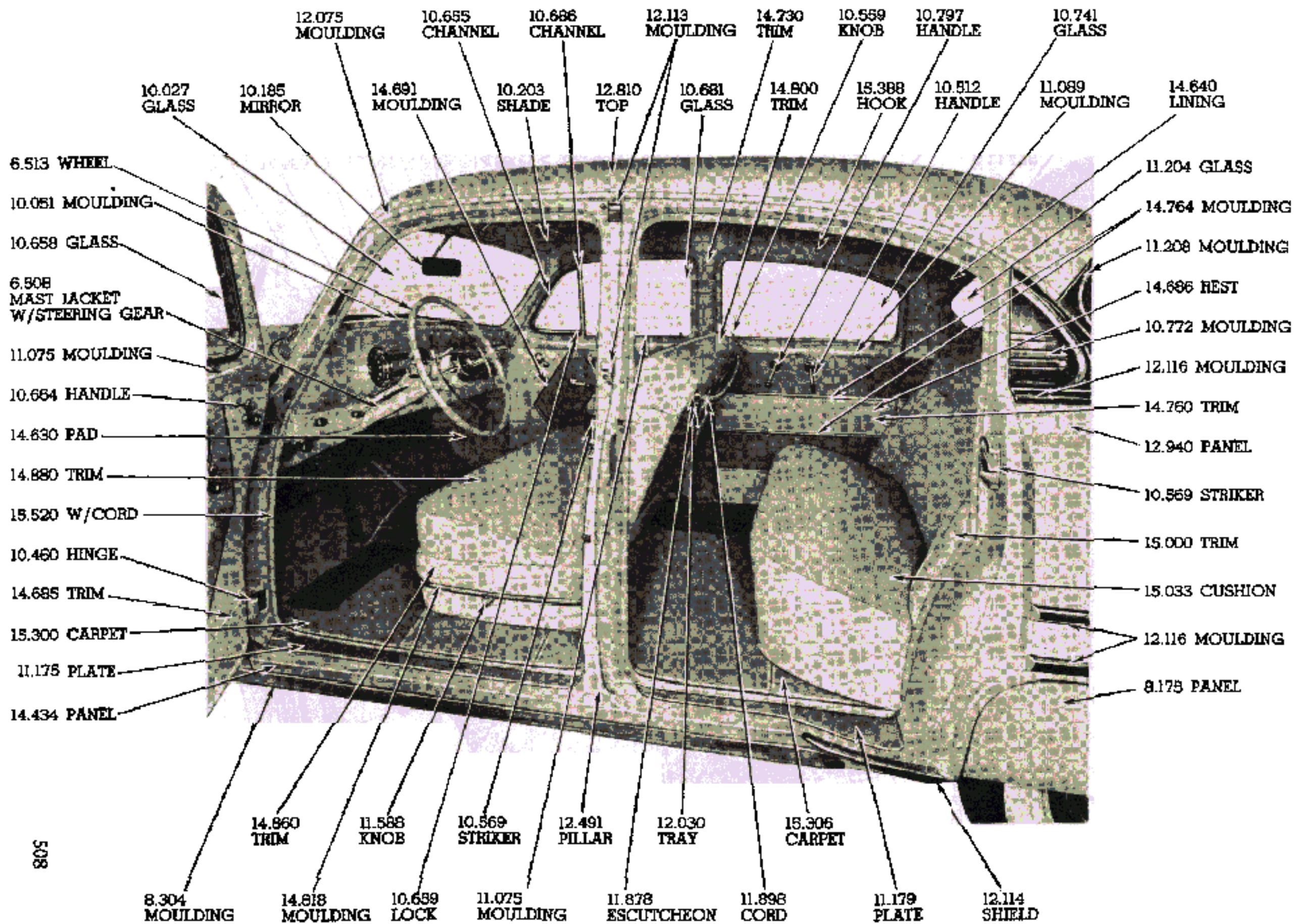
506

1953-54 BEL AIR SPORT COUPE-INTERIOR



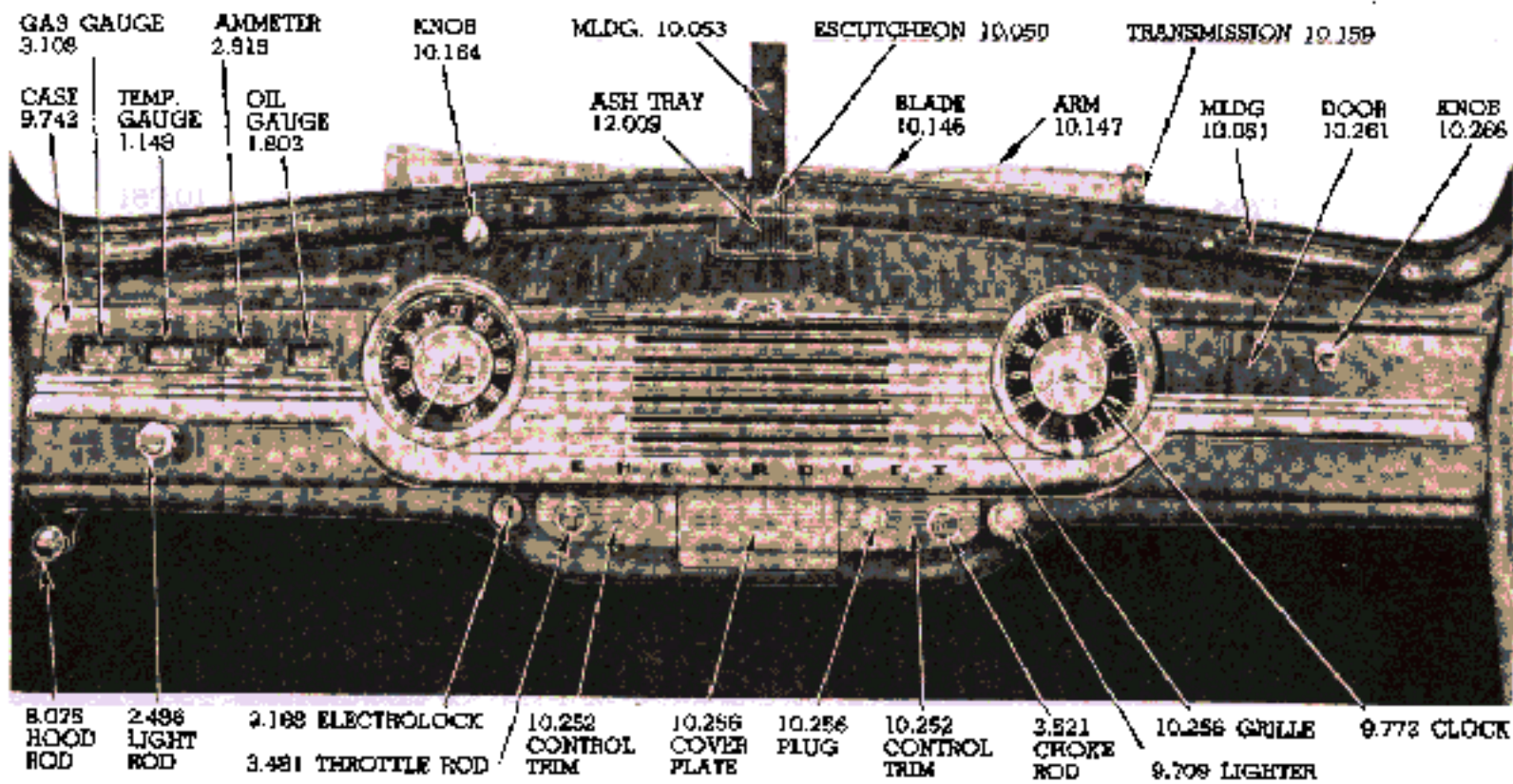




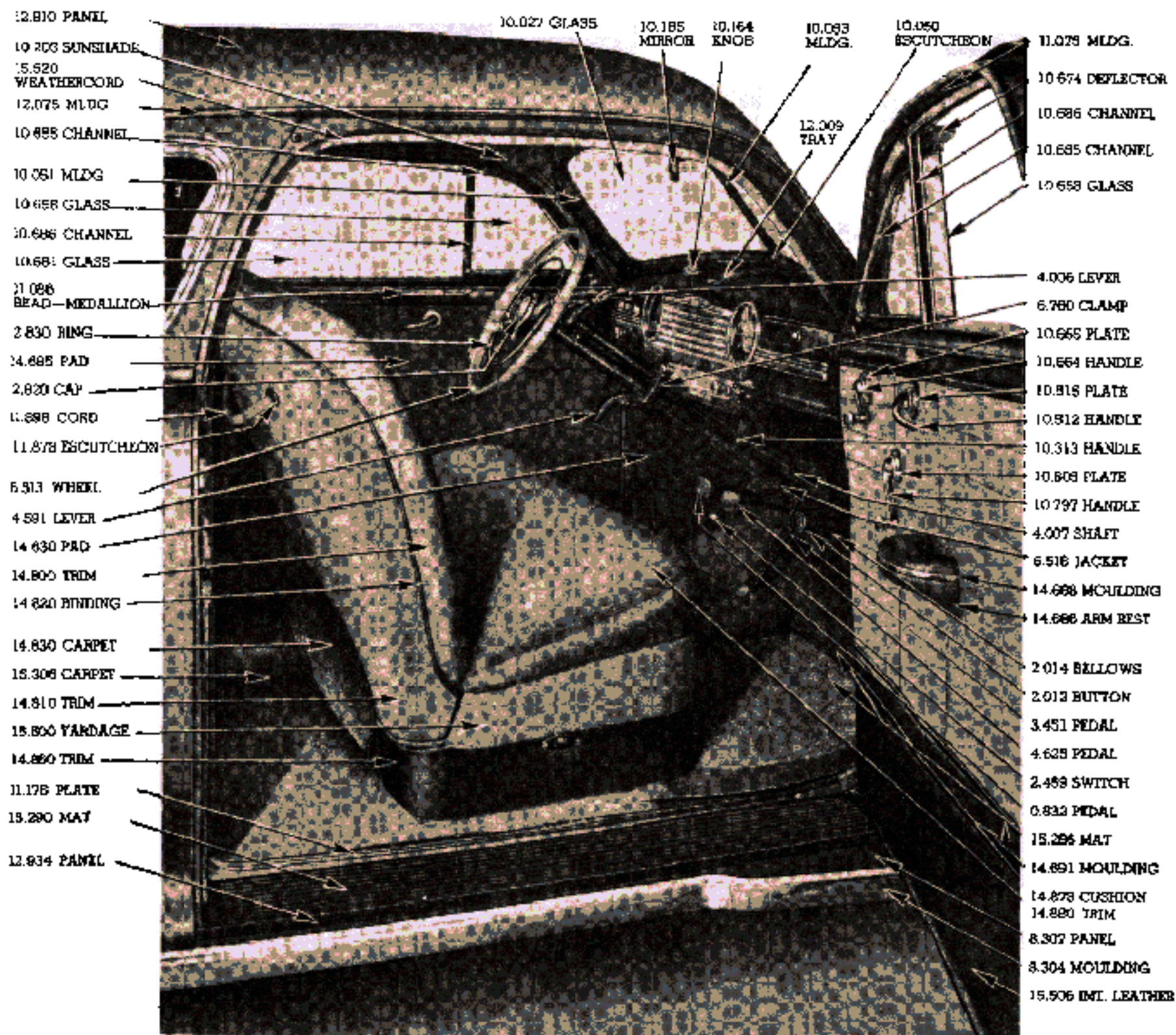


**1954 BEL AIR 4-DOOR SEDAN-INTERIOR**



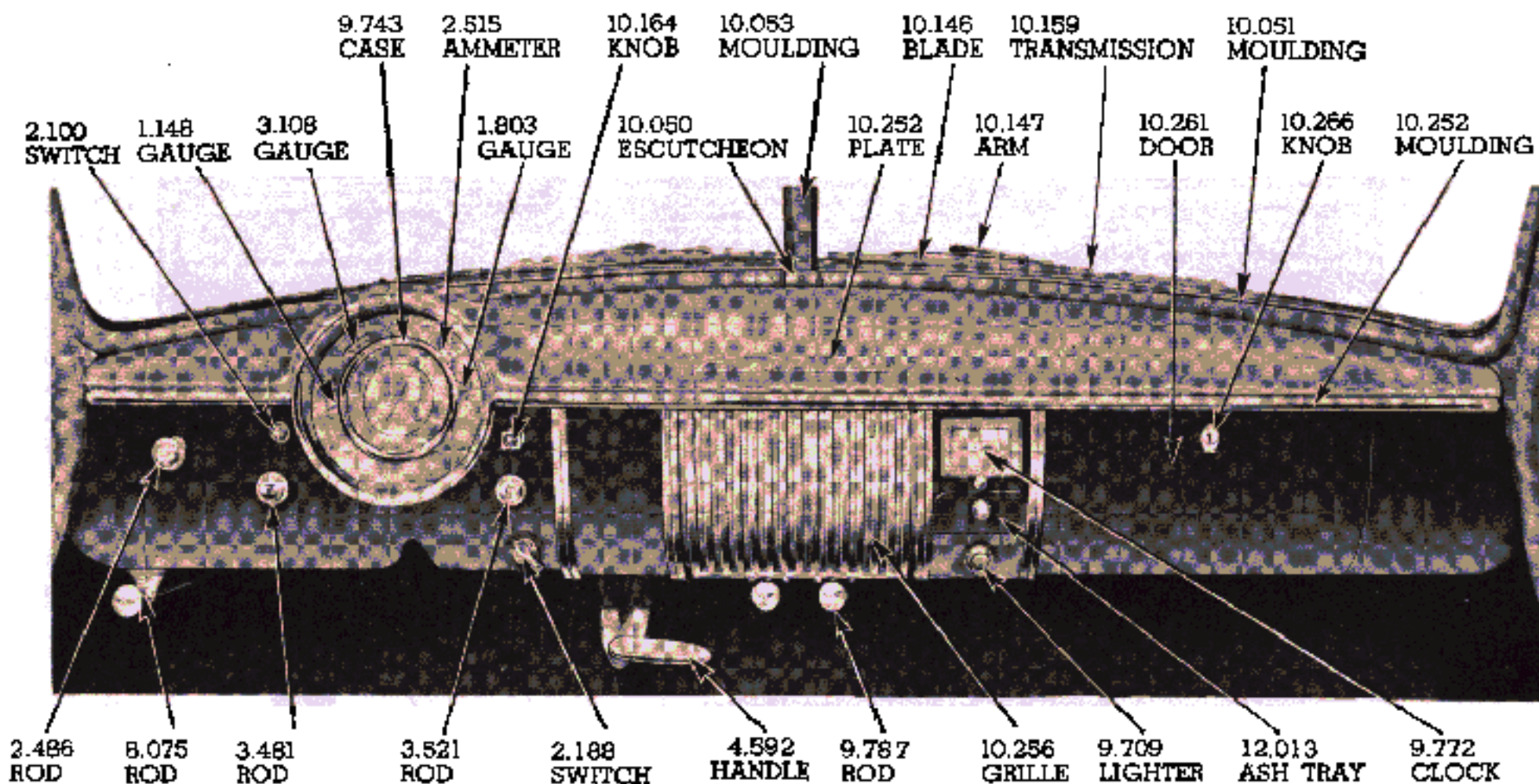


### 1942-48 INSTRUMENT PANEL

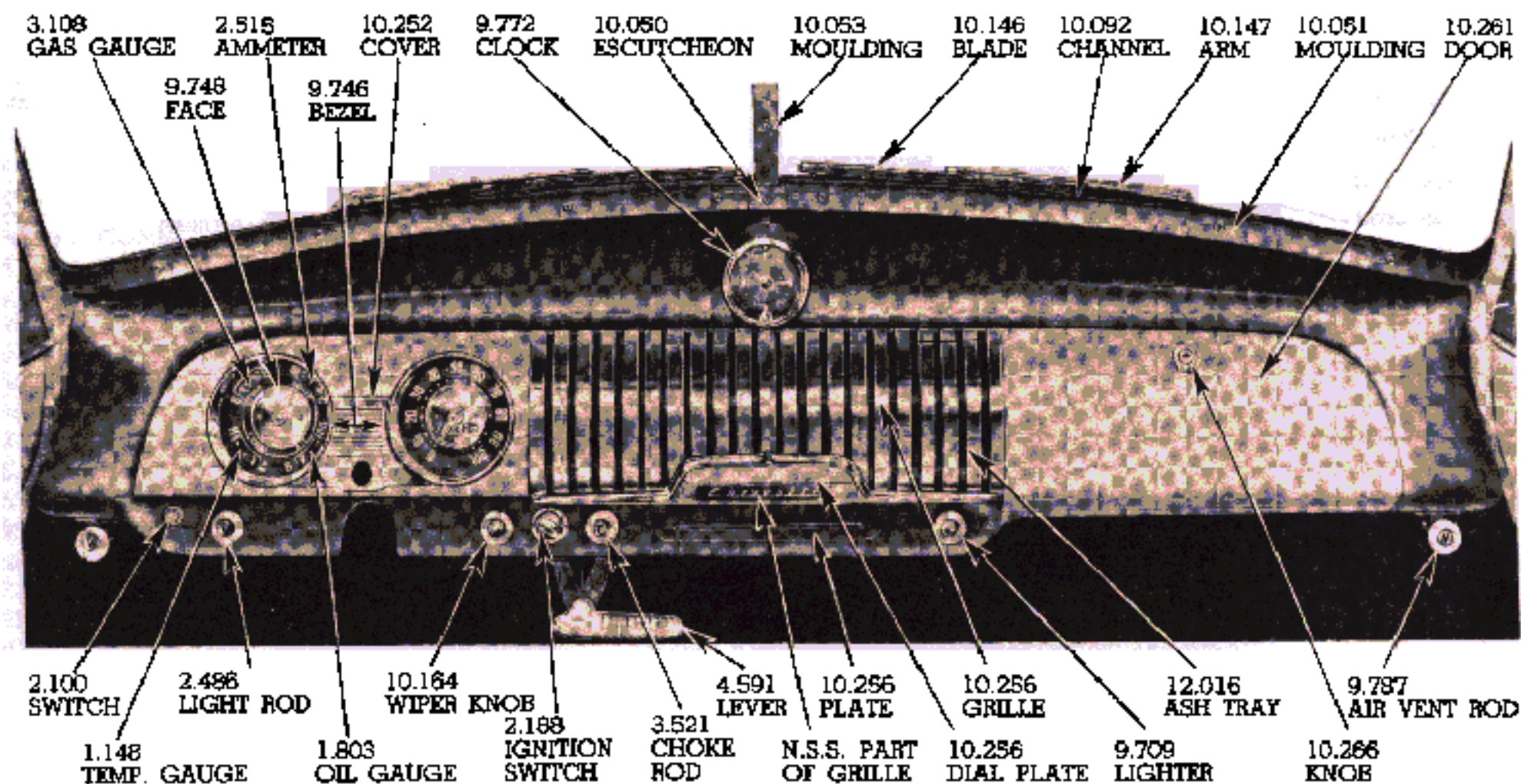


### INSTRUMENT PANEL AND FRONT COMPARTMENT



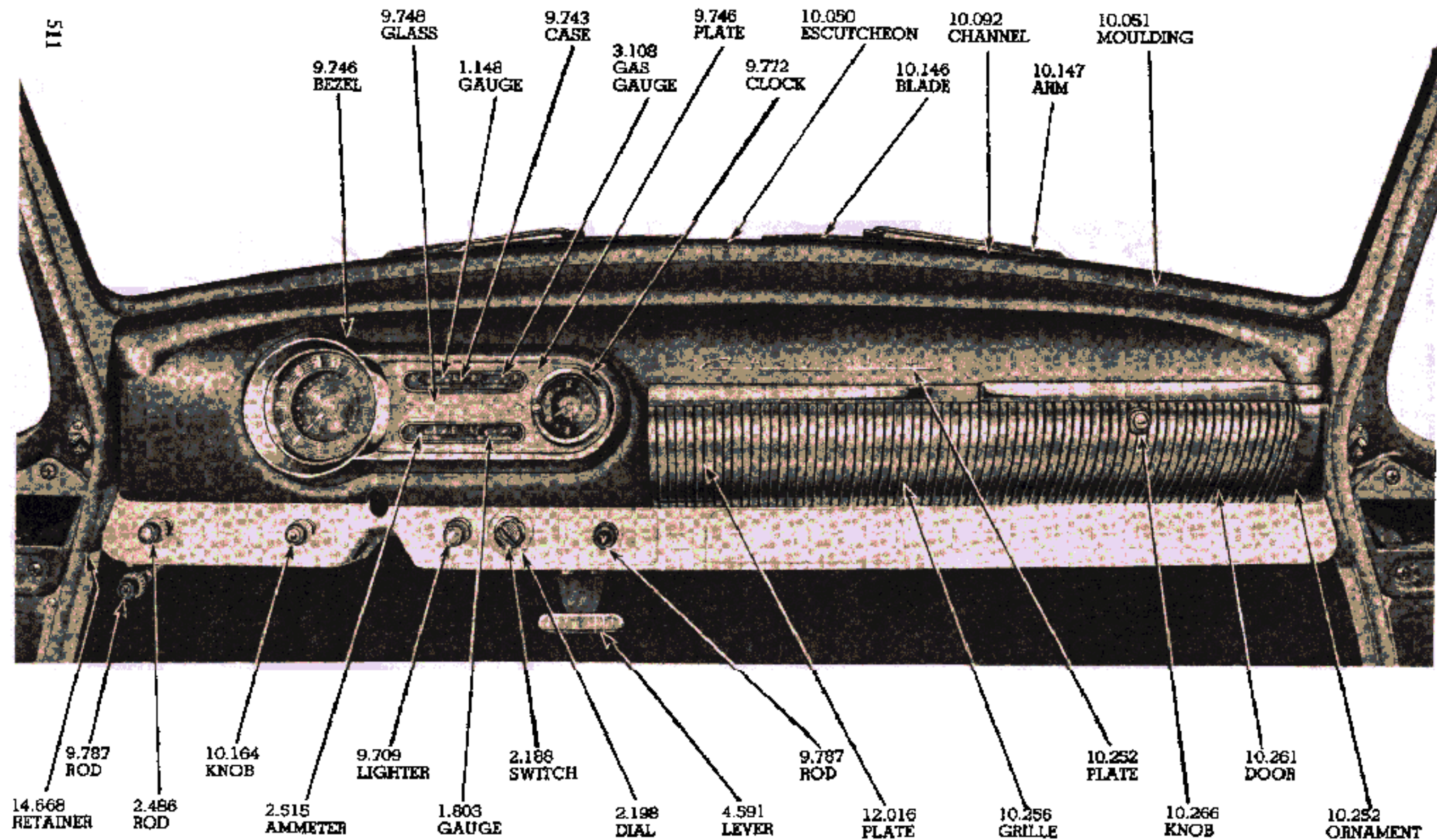


**1949-50 PASSENGER—INSTRUMENT PANEL**



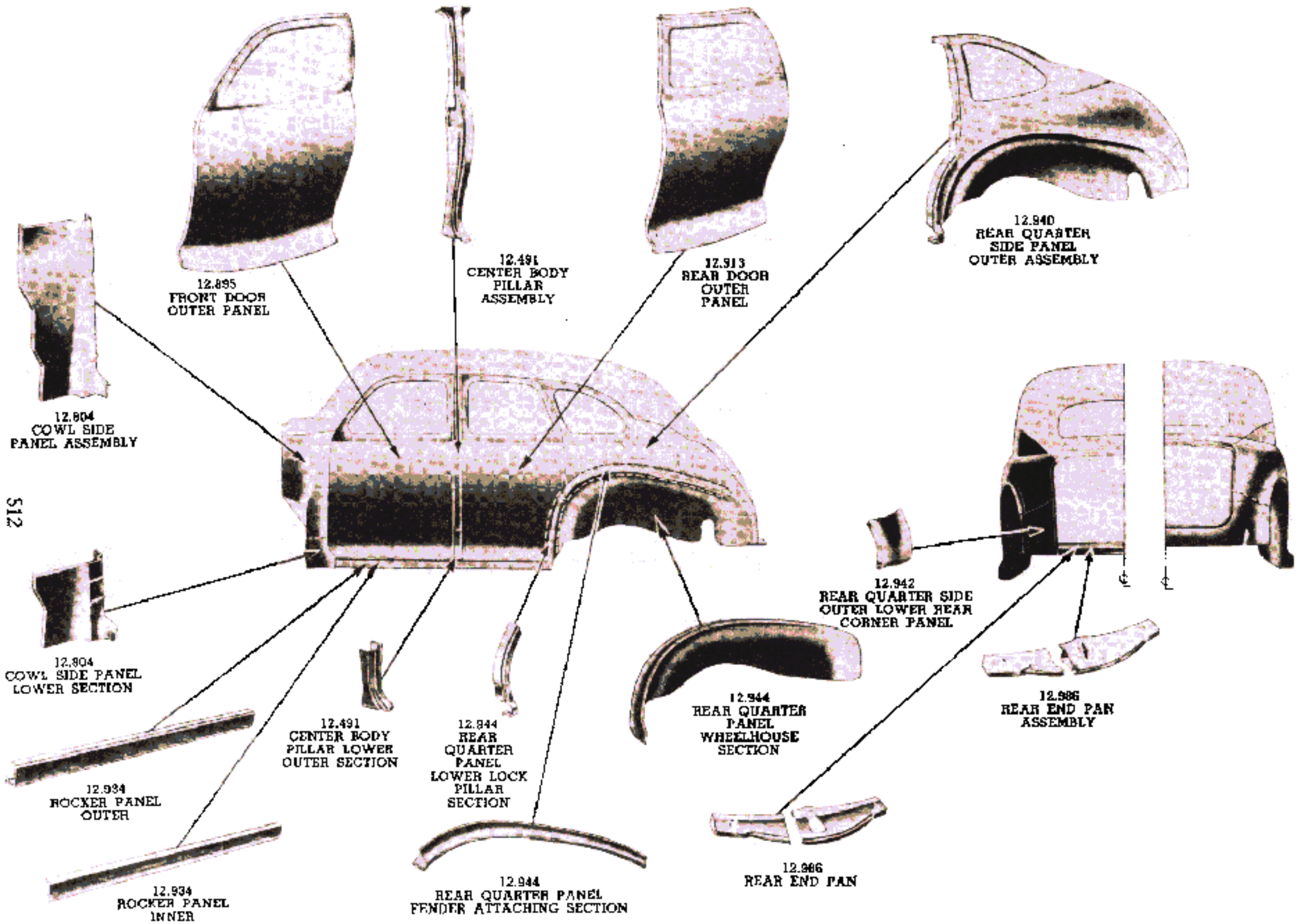
**1951-52 PASSENGER INSTRUMENT PANEL**





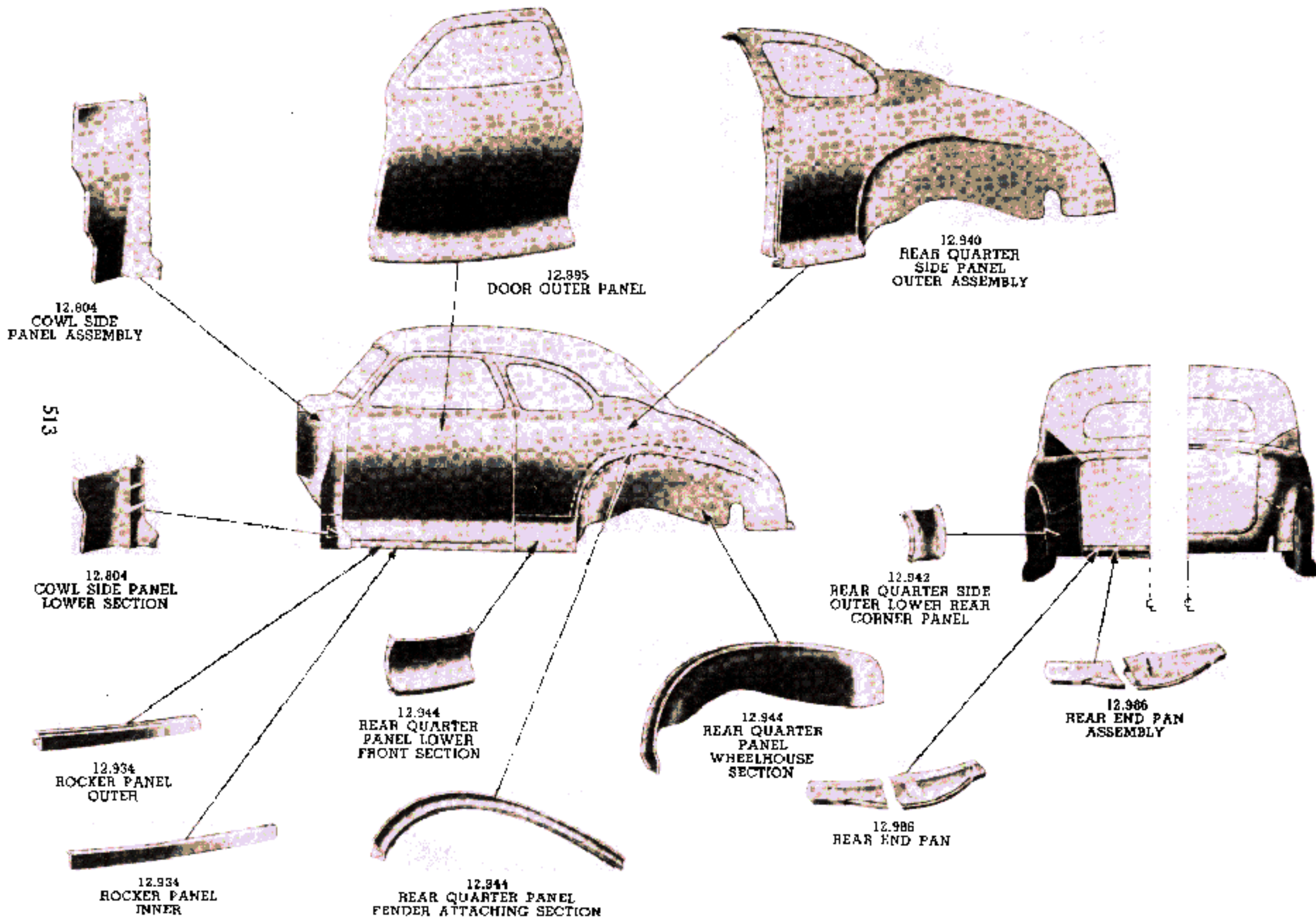
**1953-54 PASSENGER-INSTRUMENT PANEL**





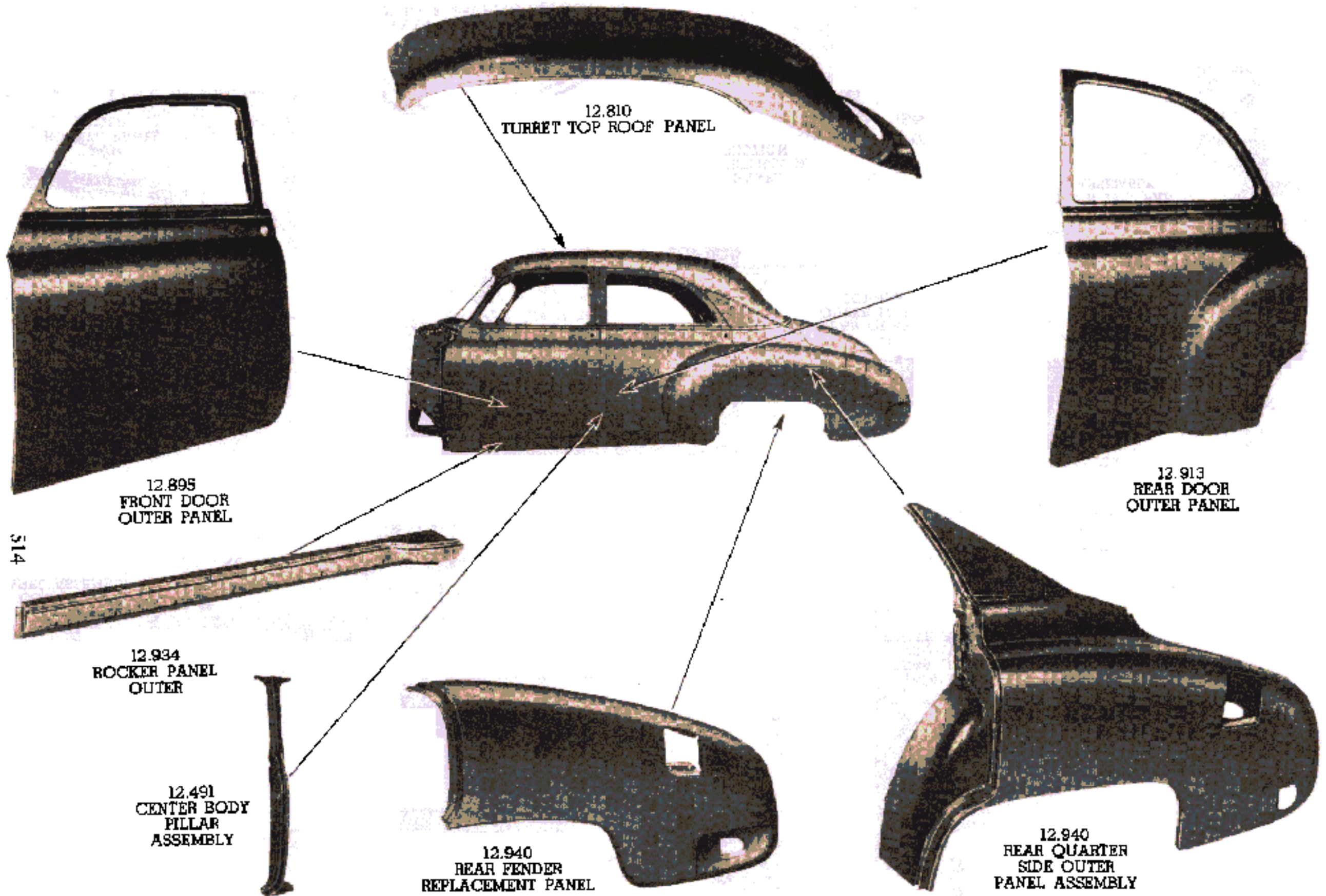
S12

**1941-48 METAL REPAIR PANELS—FOUR DOOR BODY STYLES**



**1941-48 METAL REPAIR PANELS—TWO DOOR BODY STYLES**





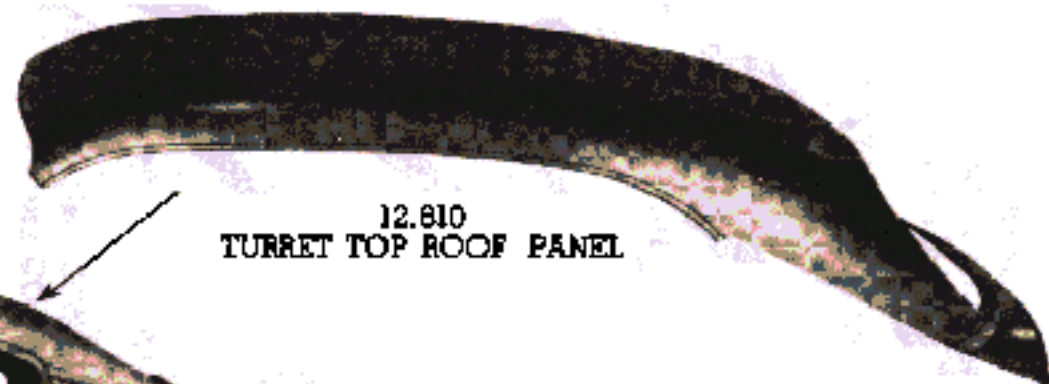
**1949-52 METAL REPAIR PANELS—FOUR DOOR BODY STYLES**



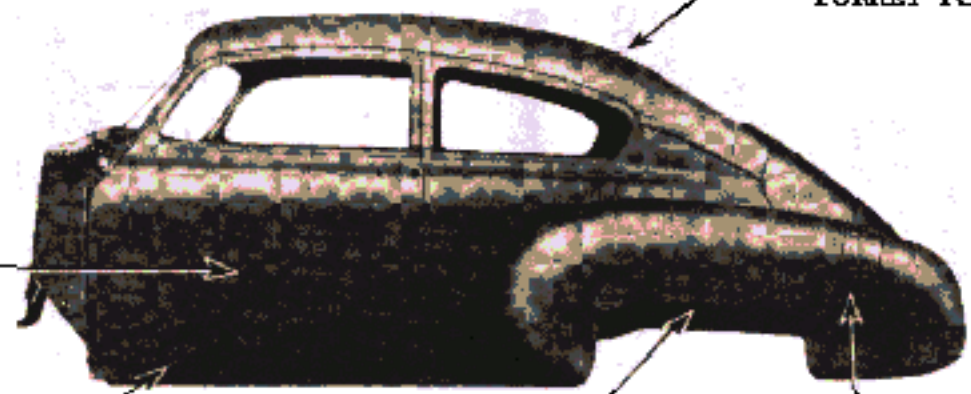


10.351  
DOOR

515



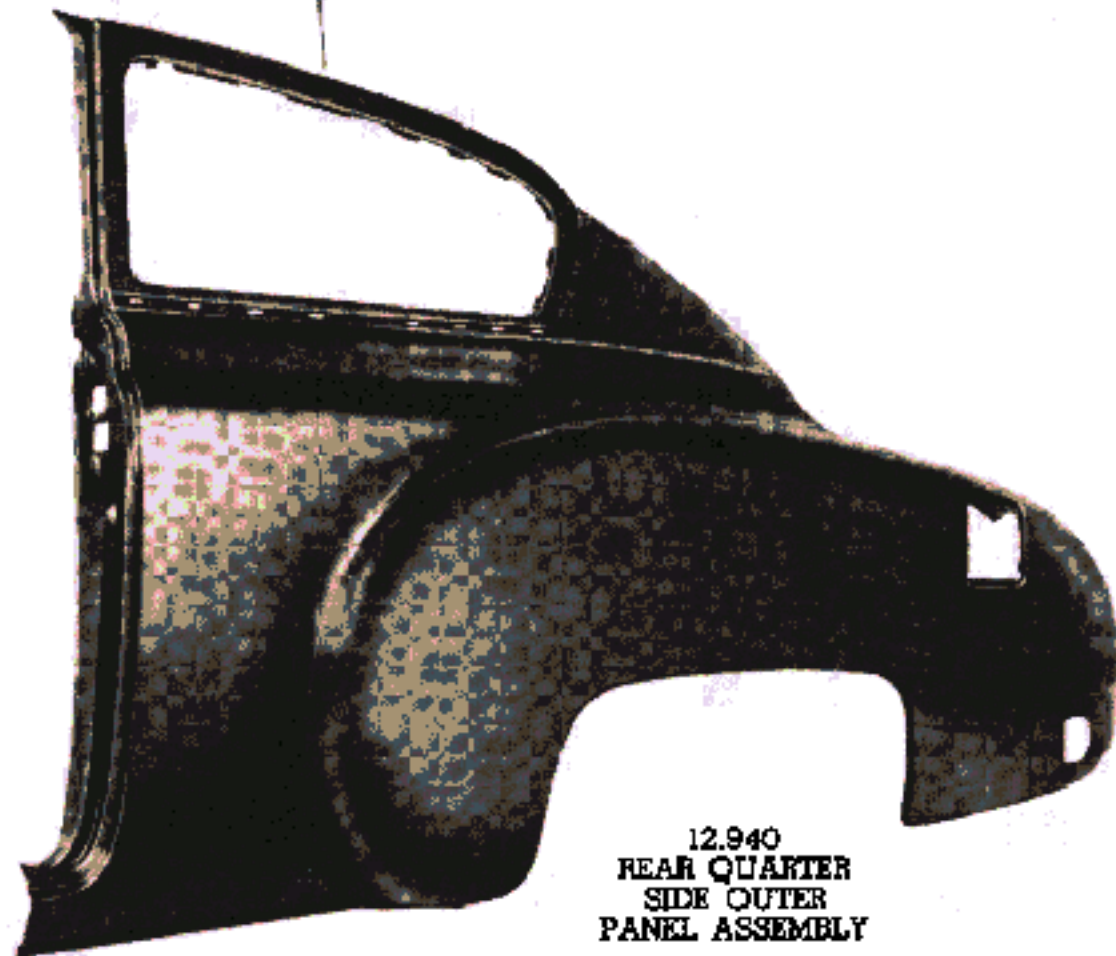
12.810  
TURRET TOP ROOF PANEL



12.934  
ROCKER PANEL  
OUTER

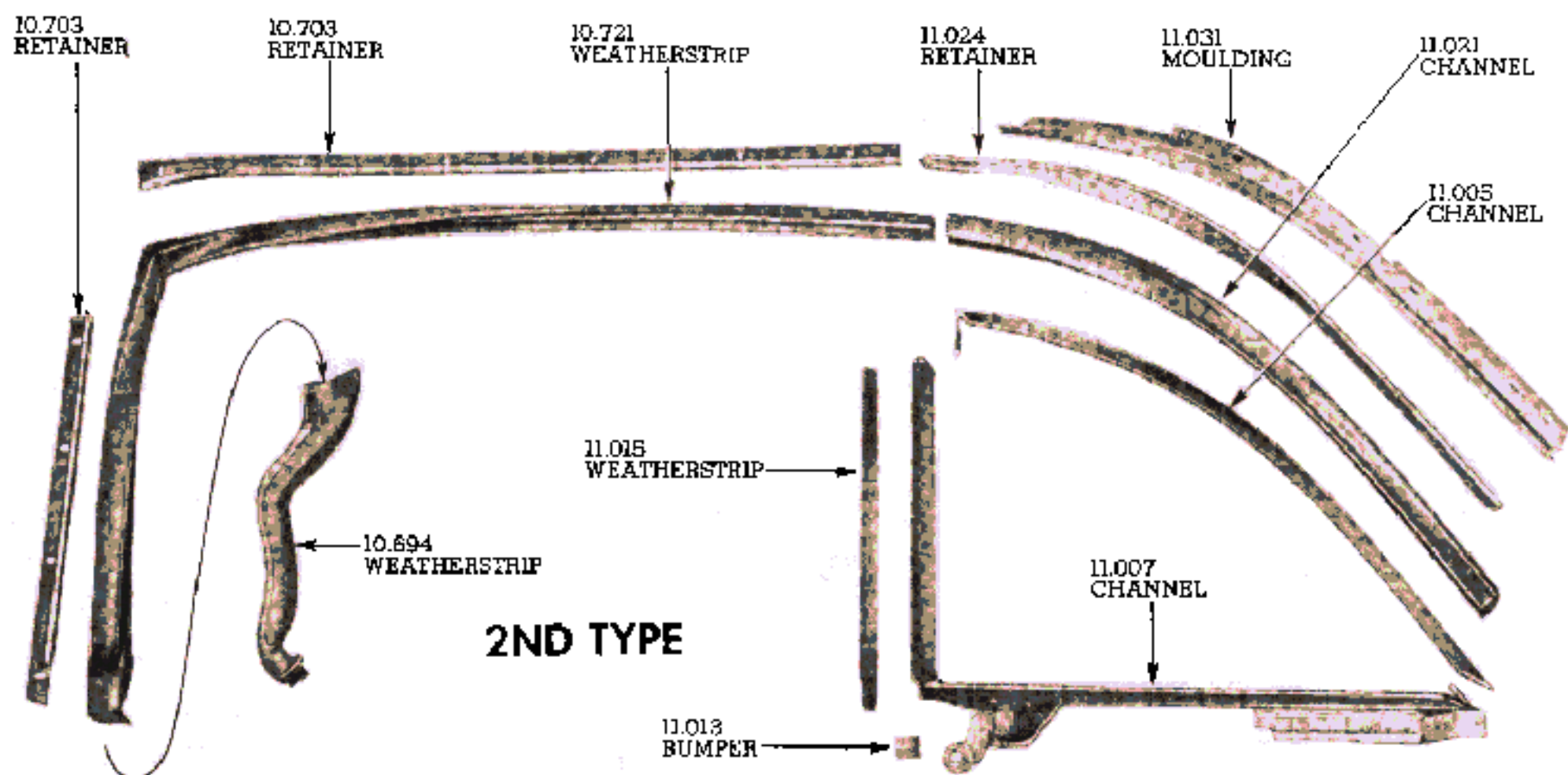
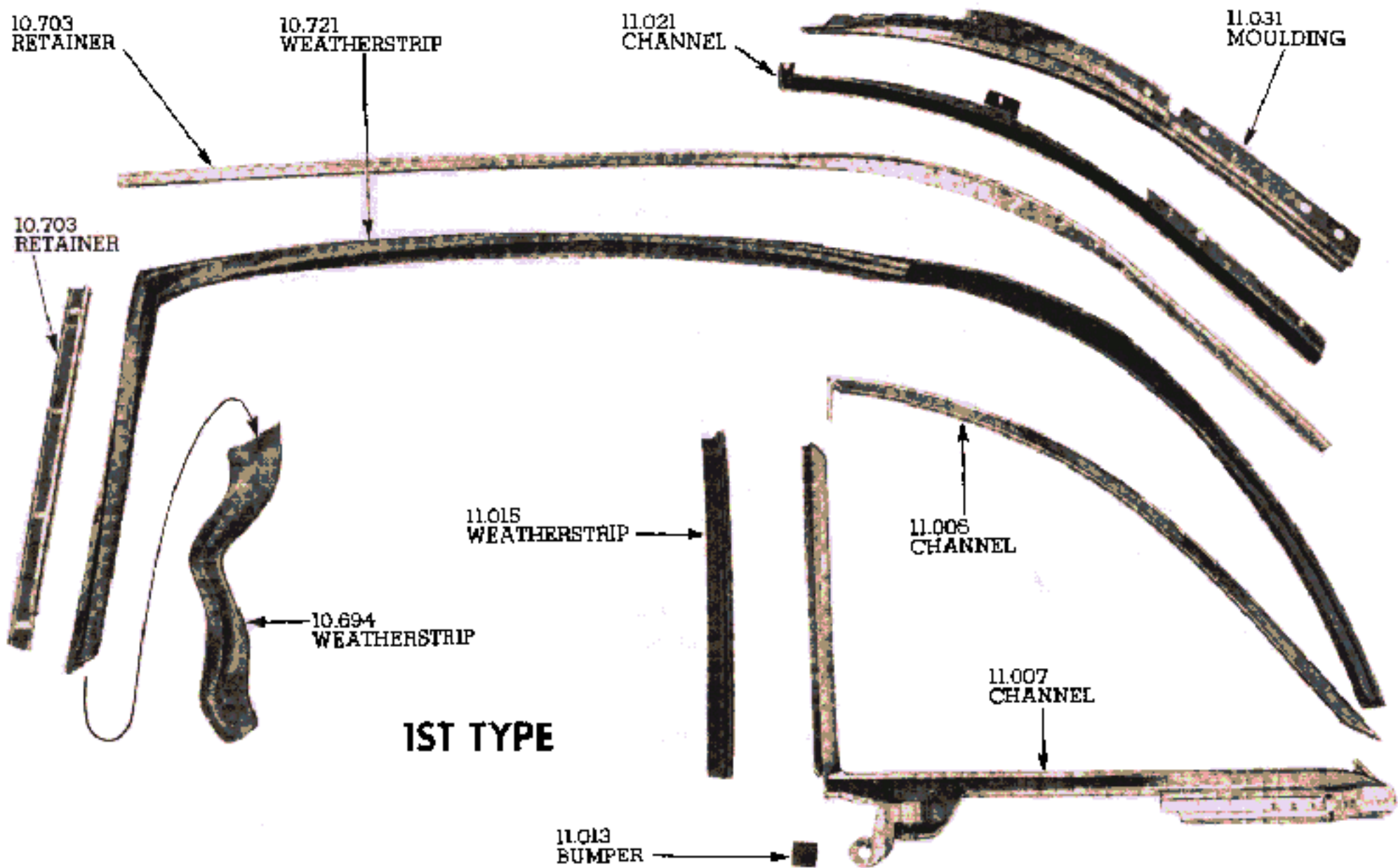


12.940  
REAR FENDER  
REPLACEMENT PANEL

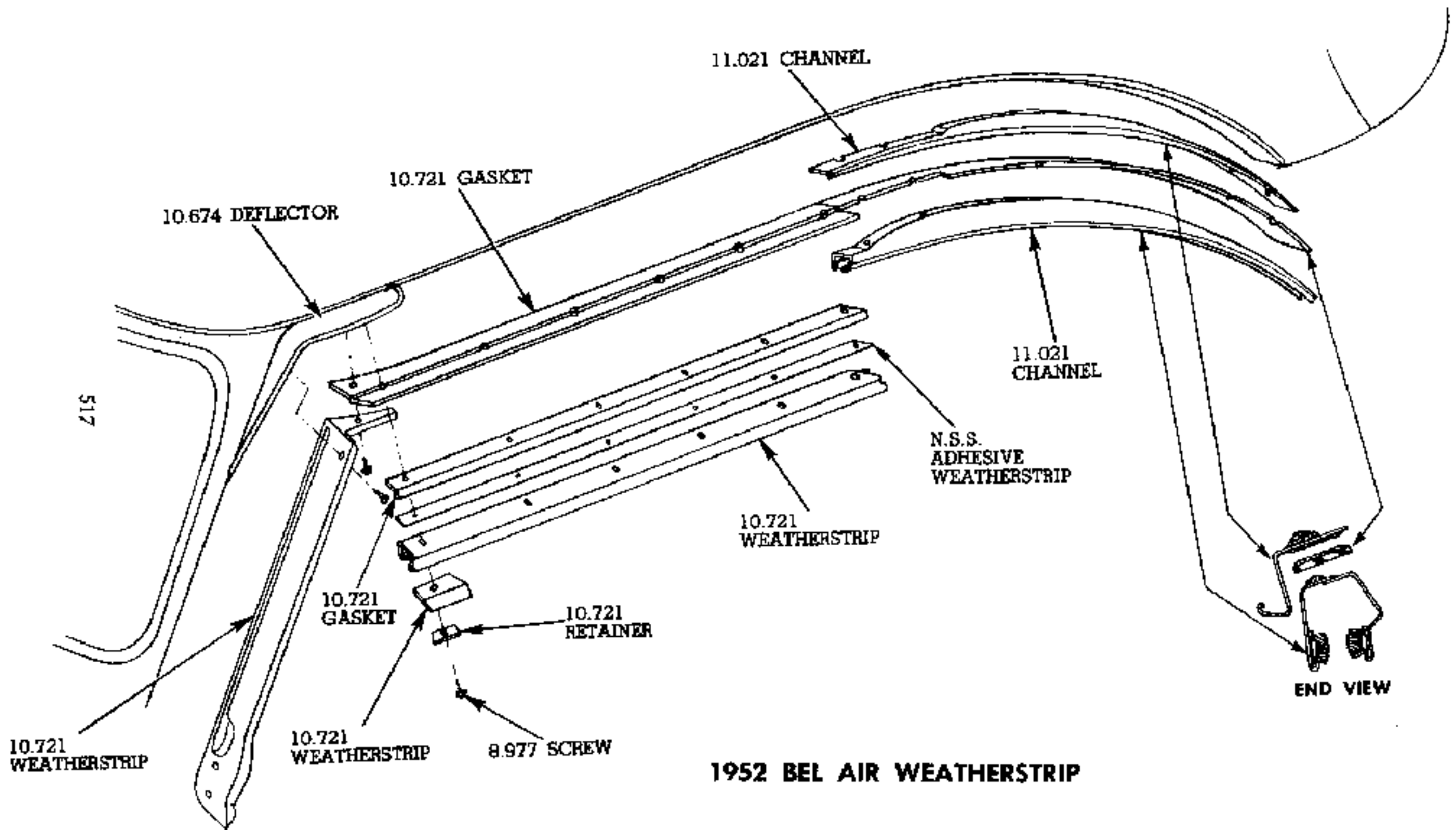


12.940  
REAR QUARTER  
SIDE OUTER  
PANEL ASSEMBLY

**1949-52 METAL REPAIR PANELS—TWO DOOR BODY STYLES**

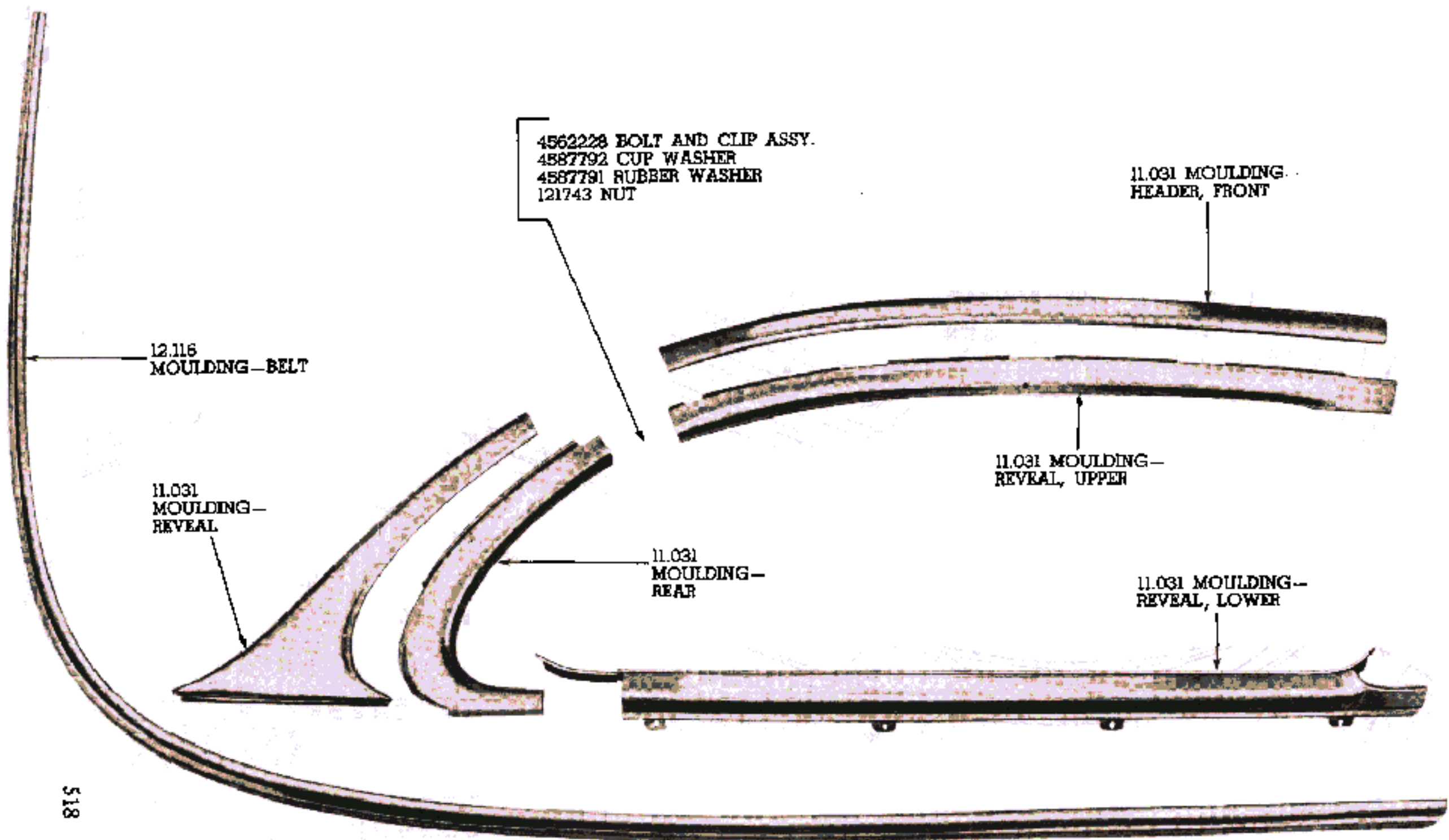


**1950-51 BEL AIR WEATHERSTRIP**



**1952 BEL AIR WEATHERSTRIP**





518

**BEL AIR QUARTER WINDOW MOULDINGS**



# CHEVROLET MASTER PARTS CATALOG

YEAR	MODEL	PART NAME	PART NO.	NO. USED	LIST PRICE
<b>10.001 BODY ASSEMBLY (Painted and trimmed with all hardware, less instruments).</b>					
<b>BODY SHELL (Less paint, trim, glass, hardware, instrument panel, doors, and rear compartment lid).</b>					
Information pertaining to availability and prices of complete body assemblies and body shells will be furnished upon request during the production year.					
<b>10.027 GLASS, Windshield (safety)</b>					
35	Ser. 1000,				
36	PASS. (exc. CONV.)	(12 <sup>11</sup> / <sub>16</sub> x 21 <sup>89</sup> / <sub>64</sub> )	4059708	2	9.15
37-38	PASS. (exc. CONV.)	(13 <sup>13</sup> / <sub>16</sub> x 22 <sup>73</sup> / <sub>64</sub> )	4073729	2	10.23
39	PASS.	(14 <sup>9</sup> / <sub>16</sub> x 22 <sup>13</sup> / <sub>16</sub> )	4089915	2	10.28
40	PASS.	(15 x 23 <sup>81</sup> / <sub>64</sub> )	4099931	2	10.80
41-48	PASS. (exc. 1007)	(16 <sup>11</sup> / <sub>16</sub> x 24 <sup>37</sup> / <sub>64</sub> )	4115809	2	12.85
42-48	1007	(14 <sup>9</sup> / <sub>16</sub> x 24 <sup>37</sup> / <sub>64</sub> )	4125235	2	11.15
49-52	1011-27-69-1211-27-27B-69-71	right	4561510	1	21.97
49-52	1011-27-69-1211-27-27B-69-71	left	4561511	1	21.97
49-52	FLEETLINE	right	4561512	1	21.25
49-52	FLEETLINE	left	4561513	1	21.25
49-52	CONV., BEL AIR	right	4561791	1	20.87
49-52	CONV., BEL AIR	left	4561792	1	20.87
49-52	STA. WAG.	right	4564409	1	24.72
49-52	STA. WAG.	left	4564410	1	24.72
53-54	PASS. (exc. CONV., SPT. CPE, STA. WAG.)		4601260	1	44.33
53-54	CONV., SPT. CPE.		4598909	1	42.62
53-54	STA. WAG.		4615796	1	48.50
52	1011-27-69-1211-27-27B-69	right (tinted)	4611346	1	31.80
52	1011-27-69-1211-27-27B-69	left (tinted)	4611347	1	31.80
52	1007	right (tinted)	4614805	1	30.15
52	1007	left (tinted)	4614806	1	30.15
52	STA. WAG.	right (tinted)	4611350	1	33.60
52	STA. WAG.	left (tinted)	4611351	1	33.60
52	CONV., BEL AIR	right (tinted)	4614740	1	29.63
52	CONV., BEL AIR	left (tinted)	4614741	1	29.63
53-54	PASS. (exc. CONV., SPT. CPE. STA. WAG.)	(tinted)	4612502	1	61.95
53-54	CONV., SPT. CPE.	(tinted)	4612499	1	59.40
53-54	STA. WAG.	(tinted)	4615797	1	67.55

## 10.050 ESCUTCHEON—CLIP, Windshield Garnish Mldg.



**4566475**

41-48	PASS.		4161354	2	.25
49-50	PASS.	lower	4582282	1	.25
49-51	PASS.	upper	4593048	1	.25
51	PASS.	lower	4593046	1	.25
52	PASS.	upper	4610025	1	.25
52	PASS.	lower	4610030	1	.25
53	PASS.	(1 <sup>3</sup> / <sub>8</sub> x 1 <sup>1</sup> / <sub>8</sub> )	4623134	A.R.	.25
54	PASS.		4639566	1	.25
49-52	PASS.	CLIP, garnish moulding	4566475	6	.04

**10.051 MOULDING, Windshield Garnish**

41-42	PASS. (exc. 1007),			
46	1069,			
47-48	PASS. (exc. 1007).....	left, walnut.....	4161344	1 3.55
41-48	PASS. (exc. 1007).....	right, walnut.....	4161343	1 3.55
42-48	1007.....	right, walnut.....	4161377	1 3.55
42-48	1007.....	left, walnut.....	4161378	1 3.55
46	PASS. (exc. 1007).....	right, walnut.....	4146839	1 3.55
46	PASS. (exc. 1007).....	left, walnut.....	4146840	1 3.55
49-52	FLEETLINE.....	right.....	4609996	1 3.10
49-52	FLEETLINE.....	left.....	4609997	1 3.10
49-52	CONV., BEL AIR.....	right.....	4568846	1 3.10
49-52	CONV., BEL AIR.....	left.....	4568847	1 3.10
49-52	STA. WAG.....	right (green).....	4810201	1 3.55
49-52	STA. WAG.....	left (green).....	4810202	1 3.55
49-52	1011-27-69-1211-27-27B-69-71.....	right (gray).....	4610008	1 3.10
49-52	1011-27-69-1211-27-27B-69-71.....	left.....	4610009	1 3.10
53	1011-27-69-1211-27-27B-69.....	right.....	4623136	1 3.25
53	1011-27-69-1211-27-27B-69.....	left.....	4623137	1 3.25
53	CONV.....	right.....	4626490	1 3.25
53	CONV.....	left.....	4626491	1 3.25
53	SPT. CPE.....	right.....	4626482	1 3.25
53	SPT. CPE.....	left.....	4626483	1 3.25
53	STA. WAG.....	right.....	4623142	1 3.63
53	STA. WAG.....	left.....	4623143	1 3.63
53	SDL.....	right.....	4623140	1 3.25
53	SDL.....	left.....	4623141	1 3.25
54	1011-69-1211-69W.....	right.....	4639736	1 3.25
54	1011-69-1211-69W.....	left.....	4639737	1 3.25
54	CONV.....	right.....	4639146	1 3.25
54	CONV.....	left.....	4639147	1 3.25
54	SPT. CPE.....	right.....	4639154	1 3.25
54	SPT. CPE.....	left.....	4639155	1 3.25
54	STA. WAG.....	right.....	4639130	1 3.65
54	STA. WAG.....	left.....	4639131	1 3.65
54	SDL.....	right.....	4621097	1 3.25
54	SDL.....	left.....	4621098	1 3.25

**MOULDING—CLIP—PLUG, Windshield Side Finish**

53-54	CONV.....	right (stainless 13 $\frac{3}{4}$ long).....	4614907	1 1.60
53-54	CONV.....	left (stainless 13 $\frac{3}{4}$ long).....	4614908	1 1.60
53	1037.....	right (stainless 14 $\frac{3}{4}$ long).....	4624914	1 1.60
53	1037.....	left (stainless 14 $\frac{3}{4}$ long).....	4624915	1 1.60
53-54	1037D.....	right (stainless 13 $\frac{3}{4}$ long).....	4602322	1 1.60
53-54	1037D.....	left (stainless 13 $\frac{3}{4}$ long).....	4602323	1 1.60
53	CONV., SPT. CPE.....	CLIP (1 wide).....	4602349	4 .04
53-54	SPT. CPE.....	PLUG, right, body hinge pillar finish mldg.....	4602539	1 .10
53-54	SPT. CPE.....	PLUG, left, body hinge pillar finish mldg.....	4602540	1 .10

**10.052 MOULDING, Windshield Division Outer**

37-38	PASS.....	with w/strip (12 $\frac{3}{4}$ long) (ident. No. T82726).....	4081935	1 2.25
39	PASS.....	(13 $\frac{3}{4}$ long).....	4089918	1 1.40
40	PASS.....	(14 $\frac{3}{4}$ long).....	4101928	1 1.40
41-48	Ser. 1000 (exc. 1007).....	less weatherstrip (15 $\frac{1}{8}$ long).....	4114948	1 1.30
42-48	1007.....	less weatherstrip (13 $\frac{1}{8}$ long).....	4125921	1 1.30
41-48	Ser. 1200.....	less weatherstrip (15 $\frac{11}{16}$ long).....	4114980	1 .95
49-52	PASS. (exc. FLTLN., CONV., B-A, STA. WAG.).....	(bowed—use 3 attach. screws).....	4573832	1 .97
49-52	FLTLN.....	(bowed—use 3 attach. screws).....	4573833	1 .97
49-52	STA. WAG.....	(bowed—use 3 attach. screws).....	4573834	1 .95
49-52	CONV., BEL AIR.....	(bowed—use 3 attach. screws).....	4573835	1 .95
50-52	PASS. (exc. CONV., B-A, STA. WAG.).....	RETAINER ( $\frac{5}{8}$ x 5 $\frac{1}{8}$ w/2 studs).....	4584375	1 .15
49-52	PASS.....	ESCUTCHEON.....	4562219	1 .32
49-52	PASS.....	SCREW (w/square washer) (6—32 x 1).....	4574744	3 .06
49-52	PASS.....	NUT, barrel (6—32 x $\frac{5}{8}$ chrome).....	4576656	3 .08

**REINFORCEMENT, Windshield Division**

42-48	1007.....		4139343	1	.13
49-52	PASS. (exc. FLTLN., CONV., B.A. STA. WAG.).....		4583114	1	.73
49-52	FLEETLINE.....		4561540	1	.73
49-52	CONV., BEL AIR.....	mirror hole 12 $\frac{5}{8}$ from top (16 $\frac{3}{8}$ O.L.)....	4591237	1	.73
49-52	STA. WAG.....		4563767	1	.73

**10.083 MOULDING, Windshield Division Inner**

37-38	PASS. (exc. CONV.).....	grayish brown (15 $\frac{1}{8}$ x 125 $\frac{1}{8}$ long).....	4081936	1	.68
41-48	PASS. (exc. 1007, CONV., STA. WAG., SDL).....	walnut (15 $\frac{1}{8}$ x 16 $\frac{1}{4}$ long).....	4161342	1	.73
42-48	1007.....	walnut (15 $\frac{1}{8}$ x 16 $\frac{1}{4}$ long).....	4161379	1	.73
42-48	CONV.....	walnut (15 $\frac{1}{8}$ x 16 $\frac{1}{4}$ ).....	4161370	1	.68
48	FLTLN. (1st type).....	(w/two attach. holes).....	4568828	1	.57
49-52	FLEETLINE (2nd type).....	(16 $\frac{5}{8}$ x 15 $\frac{1}{8}$ ) (gray).....	4610017	1	.57
49-50	STA. WAG.....	(18 $\frac{1}{8}$ x 15 $\frac{1}{8}$ ).....	4582297	1	.57
49-52	CONV.,				
50	BEL AIR (1st type).....	(15 $\frac{3}{8}$ x 15 $\frac{1}{8}$ ) (mirror hole 3 $\frac{3}{8}$ from top)..	4582300	1	.57
49-52	1011-27-69-1211-27-27B-69-71,				
52	Ser. 1200.....	(17 $\frac{3}{8}$ x 15 $\frac{1}{8}$ ) (gray).....	4610012	1	.57
50	SDL.....	(17 $\frac{3}{8}$ x 15 $\frac{1}{8}$ —less mirror hole).....	4582298	1	.57
50-52	BEL AIR (2nd type).....	(15 $\frac{3}{8}$ x 15 $\frac{1}{8}$ ) (mirror hole 11 $\frac{1}{8}$ from top)..	4591239	1	.57
51-52	STA. WAG.....	(18 $\frac{1}{8}$ x 15 $\frac{1}{8}$ ) (green).....	4610022	1	.57
51	SDL.....	(17 $\frac{3}{8}$ x 15 $\frac{1}{8}$ —less mirror hole).....	4593098	1	.57

**10.056 SCREW—NUT, Windshield Garnish Moulding**

41-48	PASS.....	inner division moulding to front end frame (No. 10 hd. 8—32 x 1 $\frac{1}{4}$ ).....	168696	5	(8.977)
49-52	PASS.....	lower (No. 8—15 x 1 $\frac{1}{4}$ ).....	145420	A.R.	(8.977)
49-52	PASS.....	upper and sides (No. 8—15 x 1).....	148095	A.R.	(8.977)
53	PASS.....	upper and sides (No. 8—15 x 1 $\frac{1}{4}$ ).....	145419	A.R.	(8.977)
53	PASS.....	lower (No. 8—15 x 1 $\frac{1}{4}$ ).....	168528	8	(8.977)
39-48	PASS.....	NUT, tee, strainer (10—32).....	4134979	4	.03

**10.092 CHANNEL, Windshield Glass (rubber)**

34-36	PASS. (exc. CONV.),				
37-39	SDL.....	( $\frac{3}{8}$ x 1 $\frac{1}{8}$ x 103 long, with lip).....	4046290	1	4.47
37-38	PASS.....	(1 $\frac{1}{8}$ x $\frac{1}{8}$ x 102, with lip—moulded in one pieces).....	4073730	1	4.47
39	PASS.....	(moulded in one piece—ident. No. H33459)	4089916	1	4.47
40	PASS.....	(moulded in one piece—ident. No. H70994)	4099932*	1	5.10

\*NOTE: On 1940 ser. 1200 and 1500 it is necessary to use windshield reveal moulding 4101926-7.

41-48	Ser. 1200.....	(moulded in one piece—ident. No. H76304)	4116260	1	5.10
41-48	Ser. 1000 (exc. 1007).....	(moulded in one piece—ident. No. H77930 or H76069).....	4122594	1	5.10
46-48	STA. WAG.....				
42-48	1007.....	(moulded in one piece—ident. No. H76834)	4125418	1	5.10
49-52	1211-27-27B-69.....	(moulded in one piece, pt. no. moulded on)	4587341	1	7.07
49-52	CONV., BEL AIR.....	(3 holes in ctr. section, pt. no. moulded on)	4573857	1	7.07
49-52	STA. WAG.....	(3 holes in ctr. section, pt. no. moulded on)	4573888	1	7.07
49-51	1207-08.....	(pt. no. moulded on).....	4585281	1	7.07
49-52	1007-08.....	(pt. no. moulded on).....	4585280	1	7.07
49-52	1011-27-69-1271.....	(moulded in one piece, pt. no. moulded on) (identified by red daub).....	4587340	1	7.07
53-54	1011-27-69-1271.....	(132 dev. length) (w/mldg. slot).....	4601374	1	5.40
53-54	1211-27-27B-69-69W.....	(132 dev. length) (w/o mldg. slot).....	4616205	1	5.12
53-54	CONV. SPT. CPE.....	(128 dev. length) (ident. by yellow daub).....	4601373	1	5.40
53-54	1052-62D-62F.....	(132 $\frac{1}{2}$ dev. length) (ident. by red daub w/mldg. slot).....	4615798	1	5.75
53-54	1262F.....	(132 $\frac{1}{2}$ dev. length) (ident. by red daub w/o mldg. slot).....	4616476	1	5.75

**10.093 MOULDING ASSEMBLY, Windshield Reveal**

40	Ser. 1000.....	right.....	4101926	1	1.92
40	Ser. 1000.....	left.....	4101927	1	1.92
41-48	Ser. 1000 (exc. 1007).....	right.....	4114443	1	2.73
41-48	Ser. 1000 (exc. 1007).....	left.....	4114444	1	2.73
42-48	1007.....	right.....	4125686	1	2.73
42-48	1007.....	left.....	4125687	1	2.73
49-52	CONV., BEL AIR.....	right, upper.....	4560823	1	3.02
49-52	CONV., BEL AIR.....	left, upper.....	4560824	1	3.02
49-52	1011-27-69-1271.....	right, upper.....	4560828	1	3.02
49-52	1011-27-69-1271.....	left, upper.....	4560829	1	3.02
49-52	1007-08.....	right, upper.....	4560915	1	2.73
49-52	1007-08.....	left, upper.....	4560916	1	2.73
49-52	PASS.....	right, lower.....	4562378	1	2.13
49-52	PASS.....	left, lower.....	4562379	1	2.13
49-52	STA. WAG.....	right, upper.....	4563588	1	3.55
49-52	STA. WAG.....	left, upper.....	4563589	1	3.55
49-52	Ser. 1000, SDL.....	right, lower corner.....	4560942	1	.98
49-52	Ser. 1000, SDL.....	left, lower corner.....	4560943	1	.98
53-54	1011-27-69-1271.....	right, upper (T-shape).....	4605763	1	2.52
53-54	1011-27-69-1271.....	left, upper (T-shape).....	4605764	1	2.52
53-54	CONV.....	upper (T-shape 43 $\frac{1}{2}$ across ends).....	4597890	1	2.67
53-54	SPT. CPE.....	upper (T-shape 43 across ends).....	4608657	1	3.08
53-54	1062-62D-62F.....	right, upper (T-shape).....	4600835	1	2.73
53-54	1062-62D-62F.....	left, upper (T-shape).....	4600836	1	2.73
53-54	Ser. 1000, SDL.....	lower (T-shape 49 $\frac{1}{2}$ across ends).....	4595099	1	2.73
53-54	1011-27-69-1271.....	right, lower corner (3 $\frac{1}{8}$ x 4 $\frac{1}{4}$ ).....	4605765	1	.98
53-54	1011-27-69-1271.....	left, lower corner (3 $\frac{1}{8}$ x 4 $\frac{1}{4}$ ).....	4605766	1	.98
53-54	1062-62D-62F.....	right, lower corner (3 $\frac{1}{8}$ x 3 $\frac{3}{4}$ ).....	4600837	1	.98
53-54	1062-62D-62F.....	left, lower corner (3 $\frac{1}{8}$ x 3 $\frac{3}{4}$ ).....	4600838	1	.98
53-54	CONV.....	right, side (14 $\frac{3}{8}$ on straight edge).....	4597891	1	3.95
53-54	CONV.....	left, side (14 $\frac{3}{8}$ on straight edge).....	4597892	1	3.95
53-54	SPT. CPE.....	right, side (14 $\frac{3}{8}$ on straight edge).....	4597893	1	3.95
53-54	SPT. CPE.....	left, side (14 $\frac{3}{8}$ on straight edge).....	4597894	1	3.95

**10.096 RETAINER—CLIP—WASHER—ESCUTCHEON, Windshield Lower Reveal Moulding**



**4606149**

49-52	PASS.....	RETAINER, center.....	4566788	1	.10
49-52	PASS.....	CLIP (with 10-24 bolt).....	4606149	4	.10
49-52	PASS.....	WASHER (#12 cup lock).....	431535	A.R. (12.118)	
49-52	PASS.....	WASHER (rubber use w/431535).....	4574232	A.R. (12.118)	
53-54	Ser. 1000, SDL. (exc. CONV., SPT. CPE.)	ESCUTCHEON, upper reveal (1 $\frac{1}{4}$ x 1 $\frac{1}{8}$ ).....	4595379	1	.25

**10.097 CHANNEL, Windshield Reveal Moulding Sealing**

41-48	PASS. (exc. 1007).....	.....	4114861	1	2.60
42-48	1007.....	.....	4125417	1	2.60

**10.119 WASHER, Windshield Regulator Handle Filler**

29-33	PASS.....	rubber (1 $\frac{1}{2}$ I.D. x 1 $\frac{1}{2}$ O.D. x 3 $\frac{3}{8}$ thick).....	4110663	1	.08
-------	-----------	---	---------	---	-----

**10.122 RETAINER, Windshield Regulator Handle Spring**

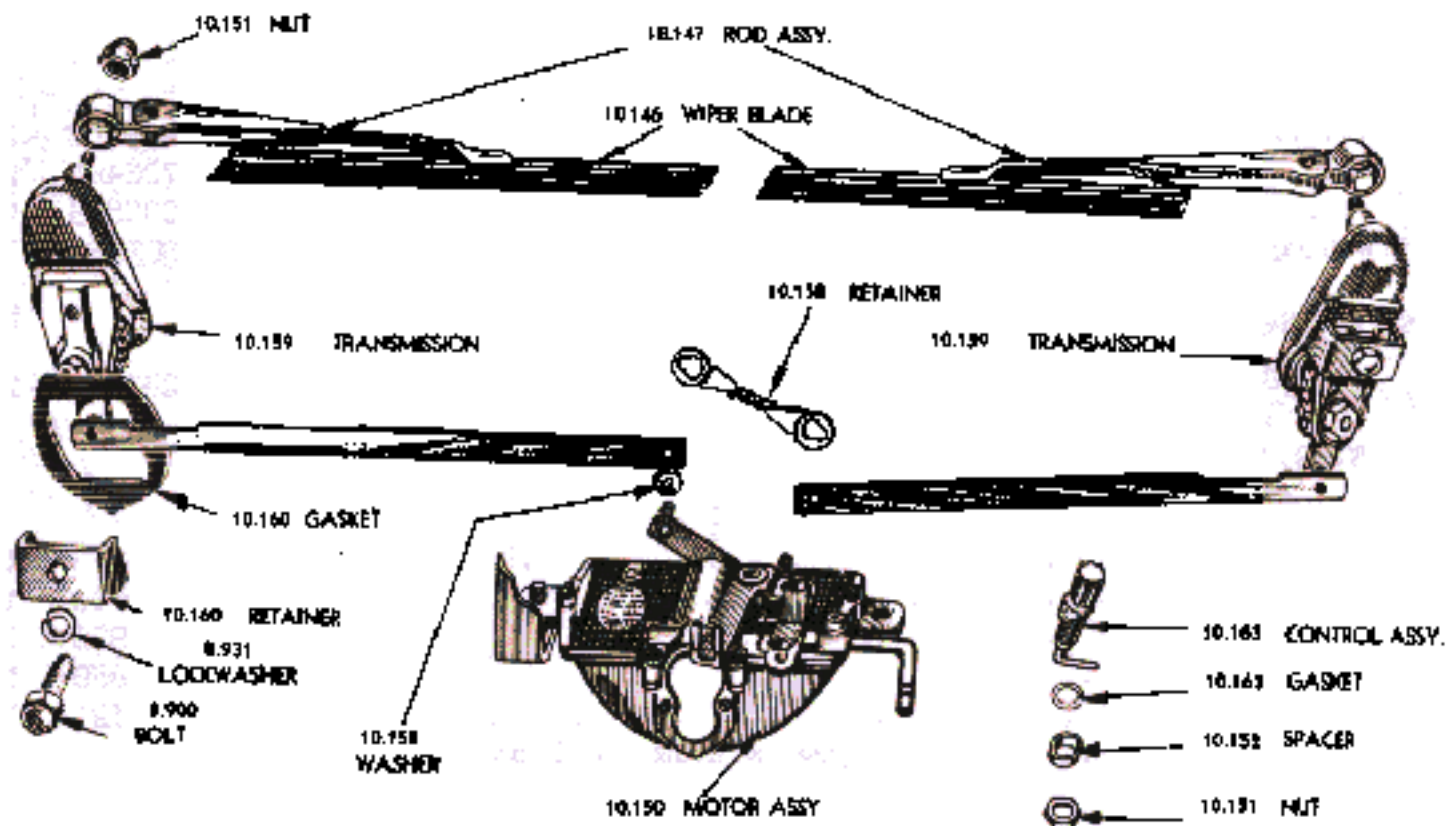
29-33	PASS.....	(spring steel, snap-on type).....	4260037	1	.04
-------	-----------	-----------------------------------	---------	---	-----

**10.146 BLADE, Windshield Wiper**

29-48	PASS.....	9 long.....	1292963	2	.52
49-53	PASS.....	11 $\frac{1}{4}$ long.....	561094	2	1.55
	Not used in this group—see group 16.062	.....	477373	2	.52



49-50	PASS.	INSERT, blade (rubber w/retaining plate)	1338928	2	.62
51-52	PASS.	INSERT, blade (rubber w/retaining plate)	557979	2	.62
53-54	PASS.	INSERT, blade (11¼" long) (rubber w/retaining plate)	561268	2	.62
53-54	PASS.	BLADE UNIT (de-icing type)	986882	2	2.50
<b>10.147 ARM—SPRING, Windshield Wiper</b>					
31-49	PASS.	ARM UNIT, universal (adjustable 5¼ to 8¼)	609562	2	.98
49-54	PASS.	ARM ASSY. (universal) (adjustable 9¼ to 12¼)	3703494	2	1.50
41-48	PASS.	SPRING, arm locking	605578	2	.06
	Not used in this group—see group 16.063		609563	1	.98
<b>10.149 NUT, Windshield Wiper Arm</b>					
37-46	PASS.	arm clamping (No. 10—32 blind—chrome)	1295056	2	.15
<b>10.150 MOTOR, Windshield Wiper</b>					
35	Ser. 1000,				
36	PASS.		4065573	1	6.03
37-38	PASS.		4073750	1	6.03
39	PASS.		4089935	1	6.03
40	PASS.		4101959	1	6.57
41	PASS.		4115421	1	6.57
42	PASS.	(use w/trans. and link w/out rubber bushings)	4132261	1	6.57
42-48	PASS.	(use w/brass hex. bushing on drive studs)	4147618	1	6.57
49-52	PASS.		4614268	1	8.43
53	PASS.		4601397	1	8.52
54	PASS.		4646190	1	8.75
<b>10.151 NUT, Windshield Wiper</b>					
35	Ser. 1000,				
36-38	PASS.				
41-42	PASS.	control stem to spacer (⅞—27)	4058841	1	.12
39-41	PASS.	control to frt. end (½—24)	606918	1	(11.253)
42-48	PASS. (exc. STA. WAG.)	control to frt. end (⅞—27)	4132282	1	.17
49-54	PASS.	control	4562132	1	.20
<b>10.152 GROMMET—GASKET, Windshield Wiper Motor</b>					
35-52	PASS.	suction pipe in dash (⅞ I.D.)	359207	1	(9.775)
41	PASS.	rubber (⅞ dia. x ½ long, cone shape)	3685792	1	.06
53	PASS. (1st type)	GASKET, to panel (1⅜ x 2 ⅞)	4599965	1	.05
53-54	PASS. (w/drum type drive)	GASKET, to panel (2⅝ x 4 ⅞)	4630475	1	.05
41-48	PASS.	WASHER, windshield transmission to cowl	120423	1	(8.932)
<b>10.154 FITTINGS, Windshield Wiper Pipe</b>					
42-48	PASS. (exc. CONV., STA. WAG., SDL.)	CONNECTOR, w/rear window wiper (3 way for ⅜ hose)	3682929	1	(16.066)
49-53	PASS.	CONNECTOR, silencer (at manifold)	3692459	1	(16.066)
39	PASS.	EXTENSION, suction pipe (5 in. required)	364934	1	(8.964)
35-38	PASS.	TEE, manifold pipe (3 way-threaded on two outlets only)	593111	1	.23
39-42	PASS. (exc. CONV.)	TEE, manifold pipe (3 way-threaded type)	3650554	1	.23
40-41	CONV.	TEE, suction pipe extension (4 way-threaded type—128° angle)	3656186	1	.32
46-48	PASS.	TEE, manifold pipe (3 way—threaded type)	3682937	1	.47
50-54	Ser. 1000 w/P.G. (w/o vac. pump)	TEE, ¼" w/s wiper connector—manifold	3692804	1	.32
50-54	Ser. 1000 w/P.G. (w/vac. pump)	TEE, manifold (⅞—24 x ⅞—24 x ⅞ pipe thd.)	3694156	1	.35
54	PASS.	TEE, manifold (⅞—24 int. thd., ⅞—27 ext. thd.)	3707544	1	.35
<b>10.155 HOSE—TUBING, Windshield Wiper</b>					
30-48	PASS.	suction (⅝ I.D.) cut to required length	601585	A.R.	(8.962)
30-52	PASS.	suction (½ LD.) cut to required length	601607	A.R.	(8.962)
30-53	PASS.	TUBING, suction (¼ O.D.) cut to required length	364934	A.R.	(8.964)
30-48	PASS.	TUBING, suction (⅝ O.D.) cut to required length	217276	A.R.	(8.964)



## WINDSHIELD WIPER PARTS

### 10.157 DRIVE ASSY., Windshield Wiper Motor Aux.

53	PASS. (1st design).....	lever type.....	4601402	1	2.30
53-54	PASS. (2nd design).....	drum type.....	4630476	1	2.75

### 10.158 RETAINER, Windshield Wiper Link w/Spring

36-48	PASS.....	(2 1/8 overall).....	4065091	1	.15
49-52	PASS.....	(2 3/4 overall).....	4570135	1	.13
35-48	PASS.....	WASHER, driver and link to motor—felt.....	431533	1	(8.927)

### 10.159 TRANSMISSION, Windshield Wiper w/Link

35	Ser. 1000.....	(lower half).....	4061422	1	1.83
35	Ser. 1000.....	(upper half).....	4058847	1	1.57
36	PASS.....	right and left.....	4065088	2	2.98
37	PASS.....	right.....	4073724	1	3.30
37	PASS.....	left.....	4073725	1	3.30
38	PASS.....	right.....	4081915	1	3.30
38	PASS.....	left.....	4081916	1	3.30
39	PASS.....	right.....	4089606	1	3.30
39	PASS.....	left.....	4089607	1	3.30
40	PASS.....	right.....	4101960	1	3.30
40	PASS.....	left.....	4101961	1	3.30
41-42	PASS.....	right (w/out rubber bushings).....	4114813	1	3.32
41	PASS.....	left (w/out rubber bushings).....	4114814	1	3.32
42	PASS.....	left (w/out rubber bushings).....	4125219	1	3.30
42-46	PASS. (exc. STA. WAG.) (1st design).....	right (w/rubber bushings).....	4132644	1	3.30
42-46	PASS. (exc. STA. WAG.) (1st design).....	left (w/rubber bushings).....	4132645	1	3.30
46-48	PASS. (2nd design).....	left (w/rubber bushings) (with w/s washer hose).....	4147908	1	3.30
46-48	PASS. (2nd design).....	right (w/rubber bushings) (w/w/s washer hose).....	4147909	1	3.30
49-52	PASS.....	right (16 3/4 long ctr. hole to ctr. hole, w/rubber bushing).....	4614275	1	3.15
49-52	PASS.....	left (16 3/4 long ctr. hole to ctr. hole, w/rubber bushing).....	4614276	1	3.15

53	PASS. (1st design)	right (w/cable 17 $\frac{15}{16}$ long)	4601062	1	4.45
53	PASS. (1st design)	left (w/cable 17 $\frac{7}{8}$ long)	4601063	1	4.45
53-54	PASS. (2nd design)	right (w/cable 19 $\frac{3}{4}$ long)	4630411	1	4.45
53-54	PASS. (2nd design)	left (w/cable 19 long)	4630412	1	4.45

#### 10.160 GASKET—RETAINER—ESCUTCHEON—NUT, Windshield Wiper Transmission

36	PASS.	rubber (1 $\frac{15}{16}$ x 1 $\frac{21}{32}$ inside dimensions)	4065094	1	.12
37	PASS.	rubber (1 $\frac{1}{8}$ x 1 $\frac{15}{16}$ inside dimensions)	4073727	1	.12
38-39	PASS.	rubber (1 $\frac{3}{16}$ x 1 $\frac{13}{32}$ inside dimensions)	4081918	1	.08
40-48	PASS.	rubber (1 $\frac{1}{4}$ x 1 $\frac{21}{32}$ inside dimensions)	4116798	2	.07
49-52	PASS.		4562197	2	.06
53-54	PASS.	(1 $\frac{3}{8}$ x 1 $\frac{1}{8}$ )	4597009	2	.06
38-39	PASS.	RETAINER	4081917	1	.17
40	PASS.	RETAINER	4101963	2	.18
41-48	PASS.	RETAINER	4137573	2	.25
49-52	PASS.	RETAINER	4562133	2	.23
53-54	PASS.	ESCUTCHEON, right (1 $\frac{1}{8}$ x 1 $\frac{3}{4}$ )	4597007	1	.75
53-54	PASS.	ESCUTCHEON, left (1 $\frac{1}{8}$ x 1 $\frac{3}{4}$ )	4597008	1	.75
53-54	PASS.	NUT ( $\frac{5}{8}$ —24 x $\frac{7}{8}$ O.D.)	4601061	2	.20

#### 10.163 CONTROL—GASKET, Windshield Wiper

35-36	Ser. 351000, 361000-1200	with octagon knob	4058849	1	.68
37-39	PASS.	with knurled knob	4073751	1	.68
39	PASS.	with elongated knob (w/straight lever and grommet)	4089931	1	.90
40	PASS.	with round knob—having finger projection (w/offset lever and grommet)	4101964	1	.88
41	PASS.	with round knob—having finger projection (w/round operating stem)	4115285	1	.90
42-48	PASS.		4131075	1	1.20
49	PASS.	(w/cable)	4564459	1	1.83
50-52	PASS.	(w/cable)	4585617	1	3.15
53-54	PASS.	(w/cable)	4597744	1	3.15
41	PASS.				
49-54	PASS.	GASKET, control	4562131	1	.07
42-48	PASS.	GASKET, control	4132280	1	.08

#### 10.164 KNOB, Windshield Wiper Control

42-48	PASS.		4132267	1	.42
49	PASS.		4570976	1	.58
50	PASS.		4582146	1	.58
51-52	Ser. 1200		4594184	1	.58
51-52	Ser. 1000		4594185	1	.58
53-54	Ser. 1000	(w/stainless steel band)	4619383	1	.72
53-54	Ser. 1200		4619384	1	.58

#### 10.167 LINK, Windshield Wiper Control Connecting

39	PASS.	(7 $\frac{1}{8}$ long)	4089934	1	.20
40	PASS.	(7 $\frac{1}{8}$ long)	4101968	1	.18

#### 10.168 GROMMET, Windshield Wiper Control Connecting Link

39-41	PASS.	rubber ( $\frac{1}{4}$ I.D. x $\frac{5}{8}$ O.D.)	4093397	1	.08
46-52	PASS.	rubber (1 $\frac{1}{16}$ I.D. x 1 $\frac{9}{16}$ O.D.)	4161287	2	.15

#### 10.185 MIRROR ASSEMBLY, Rear View

31-48	SDL	outside (5 $\frac{1}{16}$ O.D.)	3896632	1	1.20
39-52	PASS. (exc. CONV., B-A, SDL)	inside	516506	1	1.72
40-52	PASS. (exc. SDL)	inside, non-glare (8 $\frac{1}{4}$ long)	986632†	1	
38-50	CONV.,				
49-54	SDL	outside—left (4 $\frac{1}{2}$ O.D.)	515848	1	3.75
50-52	CONV., BEL AIR	inside—chrome	515871	1	1.95
52	PASS. (exc. CONV., B-A)				
53-54	PASS. (exc. CONV., SPT. CPE.)	outside, attach. to rain deflector	986692	1	3.00
53-54	PASS. (exc. B-A, SDL)	inside (pointed)	4622070	1	2.00

53-54	BEL AIR.....	inside (chrome).....	4584708	1	2.10
53-54	PASS.....	outside (clamp-on type).....	986641	1	3.15
53	PASS. (exc. SDL.).....	inside, non-glare.....	986651	1	3.95
53	PASS. (exc. STA. WAG.).....	unit, remote control.....	986805	1	7.95
54	PASS. (exc. SDL.).....	inside, non-glare.....	986948	1	3.95
54	PASS. (exc. STA. WAG.).....	unit, remote control.....	987092	1	7.95

†Closeout price applies. See Dealer P & A Price Schedule.

**10.186 NUT, Rear View Mirror**

31-49	SDL.....	spacer.....	3847036	1	.47
-------	----------	-------------	---------	---	-----

**10.187 BRACKET—SUPPORT, Rear View Mirror**

40-48	SDL.....	outside mirror (6 $\frac{1}{8}$ length).....	4106859	1	1.63
53-54	PASS. (exc. CONV., SPT. CPE., SDL.).....	SUPPORT, inside (3 x 7 $\frac{1}{2}$ ).....	4615485	1	2.85
53-54	CONV.....	SUPPORT, inside (3 x 5).....	4601549	1	2.85
53-54	SPT. CPE.....	SUPPORT, inside (2 $\frac{1}{2}$ high).....	4615484	1	2.85

**10.195 MIRROR, Vanity Visor**

50-52	CONV., BEL AIR,	(3 x 10 long).....	986605	1	1.60
53	CONV., SPT. CPE.,				
54	PASS. (exc. 1062D).....				

**10.201 VISOR, Outside Sun**

53-54	PASS. (exc. CONV., SPT. CPE., STA. WAG., SDL.).....	w/attaching parts.....	986674	1	22.00
53-54	SPT. CPE.....	w/attaching parts.....	986675	1	22.00
53-54	STA. WAG.....	CONVERSION UNIT.....	986998†	1	.65
50-54	PASS.....	VIEWER, traffic light.....	986550	1	2.65

†NOTE: The above unit must be used together with 986674 to permit installation on STATION WAGONS.

**10.203 SUNSHADE ASSEMBLY**

40	PASS. (exc. CONV., STA. WAG., SDL.),	right or left (comb. 129, 151, 152, 153) less supt.....	4163244	2	4.25
42-47	Ser. 1200 (exc. SDL.),				
48	1007-11-19-27-69.....				
40-48	CONV.....	right or left, less supt. (tan).....	4165932	2	6.07
41	1011-19-27.....	right or left (comb. 128), less supt.....	4129439	1	2.88
41	PASS. (exc. CONV., SDL.).....	right or left (comb. 115-6-7-8-9, 126) (w/adjusting screw), less supt.....	4122402	1	4.25
42-47	1007-69.....	right or left (comb. 132, 141), less supt.....	4160793	1	4.25
42-47	1011-19-27-27B.....	right or left (comb. 130), less supt.....	4160795	1	4.25
46-48	STA. WAG.....	right or left (tan) less supt.....	4161943	2	4.25
48	Ser. 1200 (exc. SDL.).....	right or left (comb. 150) less supt.....	4163250	1	3.75
48	CONV.....	right or left (black) less supt.....	4165933	2	6.07
49	PASS. (exc. CONV., STA. WAG., SDL.)..	right or left (comb. 156, 157, 158) (less support).....	4170546	A.R.	4.25
49-50	CONV.....	right or left (tan) (w/attaching parts)...	4564903	A.R.	6.07
49-50	CONV.....	right or left (black) (w/attaching parts)..	4573029	A.R.	6.07
49-52	SDL.....	right or left (comb. 163, 216) (less support)	4171588	1	4.25
49-50	STA. WAG.....	right or left (comb. 166) (less support)....	4171470	2	4.03
50	PASS. (exc. CONV., B-A, STA. WAG., SDL.).....	right or left (comb. 170, 171) (less support) (also taxi—cloth).....	4174170	A.R.	4.25
50	BEL AIR.....	right or left (w/attaching parts).....	4585915	A.R.	6.07
50-53	1269,	left (less supt.) (taxi—comb. 172, 214)..	4176126	1	4.25
53	1069W.....				
51	PASS. (exc. CONV., B-A, STA. WAG., SDL.),	right or left (comb. 200, 201, 241, 245, 291).....	4192016	2	4.25
53	1011-27-69.....				
51	CONV.....				
51	CONV.....				
51	CONV.....				
51	CONV.....				
51	BEL AIR.....	right or left (black, comb. 209).....	4183327	2	6.07
		right or left (red, comb. 205).....	4183715	2	6.07
		right or left (blue, comb. 207).....	4183716	2	6.07
		right or left (green, comb. 206).....	4183717	2	6.07
		right or left (comb. 185, 186, 187, 189)..	4180954	2	6.07



51-52	STA. WAG.	right or left (comb. 202)	4180936	2	4.03
52	PASS. (exc. CONV., B-A, STA. WAG., SDL),				
53	Ser. 1200 (exc. 1262F, SDL)	right or left (comb. 210, 211, 249)	4189124	A.R.	4.25
52	1007-11-27-69	right or left (comb. 212)	4189152	2	4.25
52	1007-11-27-69	right or left (comb. 213)	4189180	2	4.25
52	CONV.	right or left (comb. 224)	4189504	2	4.82
52	CONV.	right or left (comb. 225)	4189540	2	4.82
52	CONV.	right or left (comb. 226)	4185760	2	4.82
52	CONV.	right or left (comb. 227)	4185759	2	4.82
52	CONV.	right or left (comb. 229)	4189648	2	4.82
52	BEL AIR	right or left (comb. 234)	4189467	2	4.25
52	BEL AIR	right or left (comb. 235, 239)	4189333	2	4.25
52	BEL AIR	right or left (comb. 236)	4189401	2	4.25
52	BEL AIR	right or left (comb. 237)	4189367	2	4.25
52	BEL AIR	right or left (comb. 240)	4190343	2	4.82
52	Ser. 1200 (exc. SDL),				
53	Ser. 1200 (exc. 1262F, SDL)	right unit, w/supt. and attach. parts	986696†	1	
53	1011-27-69	right or left (comb. 242, 246)	4192125	2	4.25
53	1011W-27-69W	right or left (comb. 243)	4192018	2	4.25
53	1011W-27-69W	right or left (comb. 244)	4192019	2	4.25
53	1011WD-69WD	right or left (comb. 247, 292)	4192126	2	4.25
53	1011WD-69WD	right or left (comb. 248)	4192127	2	4.25
53	1067	right or left (comb. 284)	4198612	2	4.82
53	1067	right or left (comb. 285)	4198613	2	4.82
53	1067	right or left (comb. 286)	4193123	2	4.17
53	1067	right or left (comb. 287)	4193124	2	4.17
53	1067D	right or left (comb. 264)	4197273	2	4.82
53	1067D	right or left (comb. 265)	4197274	2	4.82
53	1067D	right or left (comb. 266)	4197275	2	4.82
53	1067D	right or left (comb. 267)	4197276	2	4.82
53	1067D	right or left (comb. 268)	4197277	2	4.82
53-54	1067D	right or left (comb. 269, 329)	4197278	2	4.82
53	1037	right or left (comb. 241)	4198212	2	4.25
53	1037	right or left (comb. 242)	4198213	2	4.25
53	1037	right or left (comb. 243)	4198210	2	4.25
53	1037	right or left (comb. 244)	4198211	2	4.25
53	1037D	right or left (comb. 254)	4192256	2	4.25
53	1037D	right or left (comb. 258, 259)	4192257	2	4.25
53	1037D	right or left (comb. 256)	4192258	2	4.25
53	1037D	right or left (comb. 257)	4192289	2	4.25
53	1062-62F	right or left (comb. 278, 280)	4193268	2	4.03
53	1262F	(comb. 277)	4193282	1	4.03
53	SDL	(comb. 276)	4193299	1	4.25
49-52	CONV., B-A	GLARESHADE, inside	986539†	1	
53-54	PASS. (exc. CONV. SPT. CPE. STA. WAG.)	GLARESHADE, inside	986683	1	8.75
53	CONV., SPT. CPE.,				
54	CONV.	GLARESHADE, inside	986685	1	8.75
54	1011W-11WD-69W-69WD-1211W-69W	right or left (comb. 300, 304, 309)	4200740	2	4.25
54	1011W-11WD-69	right or left (comb. 305, 310)	4200741	2	4.25
54	1011W-11WD-69	right or left (comb. 306, 311)	4200742	2	4.25
54	1011W-69W	right or left (comb. 307)	4200743	2	4.25
54	1011WD-69WD	right or left (comb. 330)	4200971	2	4.25
54	1011WD-69WD	right or left (comb. 331)	4208545	2	4.25
54	1011WA	right or left (comb. 332, 333, 334)	4209161	2	4.25
54	CONV.	right or left (comb. 325)	4201190	2	4.85
54	CONV.	right or left (comb. 326)	4201189	2	4.85
54	CONV.	right or left (comb. 327)	4201188	2	4.85
54	CONV.	right or left (comb. 328)	4202228	2	4.85
54	CONV.	right or left (comb. 337)	4201191	2	4.85
54	SPT. CPE	right or left (comb. 314)	4201076	2	4.25
54	SPT. CPE	right or left (comb. 315)	4201077	2	4.25
54	SPT. CPE	right or left (comb. 316, 317, 319)	4201078	2	4.25
54	SPT. CPE	right or left (comb. 318)	4202168	2	4.25
54	1062D-62F	right or left (comb. 323, 324)	4201238	2	4.25
54	1262F	(comb. 322)	4201263	1	4.25
54	SDL	(comb. 303)	4201159	1	4.25
54	Ser. 1200 (exc. 1262F, SDL)	right unit (w/supt. and attach. parts)	986968	1	5.50
54	1262F	right unit (w/supt. and attach. parts)	986972	1	5.50

†Closeout price applies. See Dealer P & A Price Schedule.

**10.219 SUPPORT, Sunshade**

37-40	PASS. (exc. CONV.)	right	4074008	1	1.50
37-40	PASS. (exc. CONV.)	left	4074009	1	1.50
40-48	CONV.		4090488	4	1.08
41-48	PASS. (exc. 1007-67, STA. WAG.)				
49-52	PASS. (exc. CONV., B-A)				
53-54	PASS. (exc. CONV., SPT. CPE.)	right	4113901	1	1.50
41-48	PASS. (exc. 1007-67, STA. WAG.)				
49-52	PASS. (exc. CONV., B-A)				
53-54	PASS. (exc. CONV., SPT. CPE.)	left	4113902	1	1.50
42-48	1007, STA. WAG.	right	4113903	1	1.50
42-48	1007, STA. WAG.	left	4113904	1	1.50
49-50	CONV., BEL AIR	right (less arm) (for R.H. or L.H. sunshade)	4168792	2	1.02
49-50	CONV., BEL AIR	left (less arm) (for R.H. or L.H. sunshade)	4168793	2	1.02
51-52	CONV., BEL AIR	right (less pivot)	4183951	1	2.40
51-52	CONV., BEL AIR	left (less pivot)	4183952	1	2.40
53-54	CONV., SPT. CPE.	right, w/pivot	4616118	1	3.85
53-54	CONV., SPT. CPE.	left, w/pivot	4616119	1	3.85
51-52	CONV., BEL AIR	PIVOT	4183950	2	1.32
51-54	CONV.	RETAINER, rod, right (hook shape)	4578830	1	1.25
51-54	CONV.	RETAINER, rod, left (hook shape)	4578831	1	1.25
51-52	CONV., BEL AIR	PARTS UNIT, sunshade support (small parts)	4183945*	1	.50

\*NOTE: 4183945 consists of flat washer, bushing, spring washer and screw.

**10.224 NUT, Sunshade Adjusting Sleeve Wing**

41-46	PASS. (exc. CONV., STA. WAG.)	(No. 8-32/ chrome-plated)	4115398	1	.23
53-54	PASS. (exc. CONV., STA. WAG., SDL)		3699968	1	.05

**10.225 SCREW, Sunshade Support**

34-52	PASS. (exc. CONV., B-A, STA. WAG.)	support to rod (No. 10-24 x 1 1/2 fillister head—chrome)	4074010	3	.06
39-48	PASS. (exc. CONV.)	support to front end (No. 10 x 3/4 oval head metal screw—chrome)	168593	3	(8.977)

**10.230 PANEL, Instrument**

41-48	PASS.	with transfer	4162590	1	14.85
49-50	PASS.	(coated w/pale metal wrap)	4580028	1	17.85
51-52	PASS.	(coated w/pale metal wrap)	4588644	1	18.85
53-54	PASS.	(coated w/pale metal wrap)	4637700	1	18.85

**10.232 TRANSFER, Instrument Panel**

42-48	PASS.		4161382	1	5.57
-------	-------	--	---------	---	------

**10.252 MOULDING—PLATE—ORNAMENT—RETAINER—COVER, Instrument Panel**



3688250

42-48	PASS.	left, control trim (1 1/8 x 4 5/16)	3684341	1	.33
47-48	Ser. 1000	left lower instrument carrier plate (12 1/2 developed length)	3684127	1	2.23
42-48	PASS.	right, control trim (1 5/8 x 4 5/16)	3684342	1	.33
49-50	PASS.	left (5/8 wide x 6 3/8 long)	3688429	1	.50
49-50	PASS.	right (3/4 wide x 35 3/8 long)	3688430	1	1.27
49-50	PASS.	PLATE, name (Chevrolet) (7 3/8 long)	3688963	1	.57
53-54	PASS.	PLATE, name (Chevrolet) (9 1/8 long)	3697659	1	.50
53-54	BEL AIR	ORNAMENT, end (w/2 attach. studs)	4603467	1	1.53
49-50	PASS.	RETAINER, attach instr. panel mouldings (1/2 wide x 5/8 thick x 1 long w/10-32 bolt)	3688250	A.R.	.05
51-52	PASS.	COVER, trans. control shaft hole	3699056	1	.95
49-50	PASS.	CLIP, instrument panel mldg.	2121310	1	.01
40-48	PASS.	NUT, extension moulding (speed nut) (3/16 rod)	3695282	A.R.	(8.040)
49-54	PASS.	NUT, speed (for name plate)	3690217	4	.03

**10.253 CLIP, Instrument Panel Moulding**



**3658565**

41	PASS.	(snap on type— $\frac{1}{8}$ high)	3658565	36	.02
----	-------	------------------------------------	---------	----	-----

**10.254 GRILLE—COVER—SCREEN—PLUG—PANEL—PLATE—RETAINER, Radio**

41	PASS.	(chrome)	3658193	1	2.27
42-46	PASS.	upper (chrome)	3681244	1	3.23
42-46	PASS.	lower (chrome)	3664646	1	2.23
47-48	PASS.	(chrome) "CHEVROLET"	3684124	1	6.80
49-50	PASS.		3699026	1	4.40
51-52	PASS.		3698321	1	5.25
51-52	Ser. 1000		3699027	1	5.38
53-54	Ser. 1000	(w/ash tray opening)	3697065	1	5.65
53-54	Ser. 1200	(w/4 No. 10—24 x $\frac{1}{8}$ attach. studs)	3697063	1	5.25
53-54	PASS.	COVER, Inst. panel radio control hole ( $8\frac{3}{8}$ O.L. w/2 10—24 x $\frac{25}{32}$ attach. studs)	3698486	1	.53
41-48	PASS.	SCREEN, grille	3684125	1	.45
51-52	PASS.	SCREEN, grille	3695647	1	.17
40-48	PASS.	NUT, grille	3654116	A.R.	.02
42-48	PASS.	PLUG ( $\frac{3}{8}$ —24 x $\frac{21}{32}$ Rd. Hd. $\frac{1}{8}$ dia. plastic)	3684843	2	.06
51-52	PASS.	PANEL, grille dial cover	3695648	1	.38
42-48	PASS.	PLATE ( $2\frac{5}{8}$ x 8, ctr. to ctr. holes T)	3684343	1	.40
51-52	PASS.	PLATE, control knob cover	3695649	1	.32
49-50	PASS.	RETAINER, grille attach. ( $\frac{1}{2}$ wide x $\frac{5}{8}$ thick x 1 long w/10—32 bolt)	3688250	1	(10.252)

**10.260 BOX, Instrument Panel Compartment**

41-48	PASS.		4116124	1	2.03
49-50	PASS.		4586673	1	2.03
51-52	PASS.		4588363	1	2.32
53-54	PASS.	( $4\frac{3}{4}$ x $10\frac{7}{8}$ opening)	4599945	1	2.32

**10.261 DOOR, Instrument Panel Compartment, Less Knob**

41-46	Ser. 1000 (exc. 1007-69),				
41-48	Ser. 1200	less moulding	4161349	1	3.75
42-46	1007-69, STA. WAG.,				
47-48	Ser. 1000	with moulding	4161412	1	6.23
49-50	PASS.		4611682	1	3.75
51-52	PASS.		4611683	1	3.97
53	Ser. 1000	chrome ( $5\frac{1}{4}$ x $12\frac{3}{4}$ )	4616929	1	6.95
53	Ser. 1200	( $5\frac{1}{4}$ x $12\frac{3}{4}$ )	4621773	1	3.97
54	Ser. 1000		4639127	1	6.95
54	Ser. 1200		4639129	1	3.95

**10.262 HINGE, Instrument Panel Compartment Door**

41-48	PASS.	left, inner	4115136	1	.68
41-48	PASS.	right, outer	4115139	1	.68
49-50	PASS.	right	4611844	1	.97
49-50	PASS.	left	4611845	1	.73
51-52	PASS.	right	4611842	1	.73
51-52	PASS.	left	4611843	1	.97
53	PASS.	right (stamped "CR")	4598583	1	.80
53	PASS.	left (stamped "CL")	4598584	1	.97
54	PASS.	right	4639709	1	.80
54	PASS.	left	4639710	1	.95
53-54	PASS.	Screw (#10—32— $\frac{3}{16}$ )	4585972	8	.05

**10.263 BUMPER, Instrument Panel Compartment Door**

36-52	PASS.		3693292	2	.07
49-54	PASS.	( $1\frac{1}{16}$ O.D. x $\frac{1}{2}$ O.L.)	4558911	2	.03
53-54	PASS.	( $\frac{3}{8}$ O.D. x $1\frac{1}{8}$ O.L.)	4128599	2	.06

**10.266 KNOB ASSEMBLY, Instrument Panel Compartment Door—with lock cylinder and keys complete coded to no specified key number.**

36-37	PASS.	with lock bolt (1 x 2 face size x $1\frac{15}{16}$ long—chrome)	602551	1	2.05
38	PASS.	with lock bolt ( $\frac{15}{16}$ face diameter x 2 long—chrome)	603150	1	2.07
39	PASS.	with lock bolt ( $\frac{15}{16}$ face diameter x $1\frac{1}{4}$ long—chrome)	603624	1	2.05
40-54	PASS.	with lock bolt and $1\frac{15}{16}$ retainer ( $\frac{1}{8}$ face diameter x $1\frac{15}{16}$ long—chrome)	4099313	1	2.07
36-54	PASS.	KEY blank (round head)	7002238	1	(2.187)
36-54	PASS.	KEY blank (octagon head)	3694624	1	(2.187)

**KNOB ONLY, Instrument Panel Compartment Door—less Lock Cylinder, Retainer and Keys**

39	PASS.	with lock bolt and spring	4089949	1	.70
40-53	PASS.	with lock bolt and spring	4099315	1	.70
Not required in this group—see group 16.110.			4099316	A.R.	.70

**CYLINDER, Instrument Panel Door Lock**

40-54	PASS.	uncoded, less keys	1394994	1	.55
-------	-------	--------------------	---------	---	-----

**10.267 RETAINER, Instrument Panel Compartment Door Knob**

39	PASS.	( $\frac{15}{16}$ O.D. x $\frac{13}{16}$ I.D. x $\frac{1}{4}$ long)	4089950	1	.18
40-50	PASS.	( $1\frac{3}{16}$ long)	4131049	1	.13
51-52	PASS.	( $1\frac{3}{16}$ long)	4587925	1	.13
53-54	PASS.	( $1\frac{1}{4}$ long)	4599106	1	.13

**10.268 STRIKER, Instrument Panel Compartment Lock**

39	PASS.	( $\frac{1}{8}$ x $1\frac{5}{8}$ x $\frac{1}{4}$ high)	4090432	1	.08
40	PASS.	( $\frac{3}{4}$ x $2\frac{5}{16}$ x $\frac{1}{32}$ high)	4106665	1	.13
41-48	PASS.	( $\frac{1}{8}$ x $2\frac{1}{4}$ x $\frac{1}{4}$ high)	4114874	1	.13
49-50	PASS.	( $\frac{1}{2}$ wide x $1\frac{3}{4}$ long)	4551932	1	.17
51-52	PASS.	( $\frac{1}{2}$ wide x $1\frac{3}{4}$ long)	4587977	1	.17
53-54	Ser. 1000	( $\frac{1}{2}$ high x $1\frac{3}{4}$ long)	4526628	1	.17
53-54	Ser. 1200	( $\frac{1}{2}$ high x $1\frac{3}{4}$ long)	4526627	1	.08

**10.270 BOLT, Instrument Panel Compartment Door Lock**

36-38	PASS.	catch type ( $\frac{51}{64}$ to ctr. fulcrum)	1096656	1	.16
-------	-------	---	---------	---	-----

**10.272 MOULDING, Instrument Panel Compartment Door**

47-48	Ser. 1000	(chrome)	4162293	1	2.67
-------	-----------	----------	---------	---	------

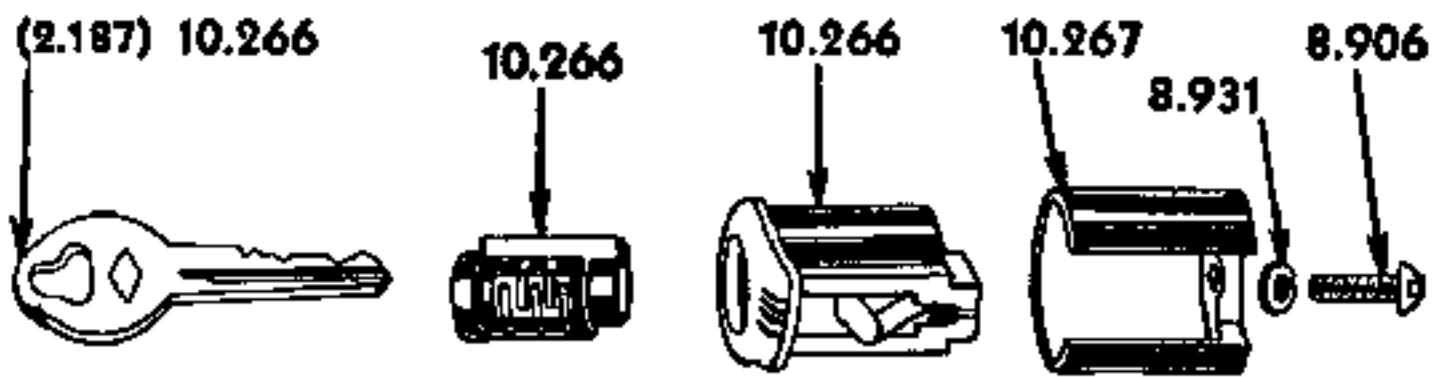
**PLATE, Clock Hole Cover**

41-48	PASS.	chrome ( $5\frac{1}{2}$ dia.—stamped STYLE MASTER)	3684357	1	1.40
49-50	Ser. 1200	( $2\frac{1}{4}$ x $3\frac{1}{8}$ ) medium grey	3700011	1	.37

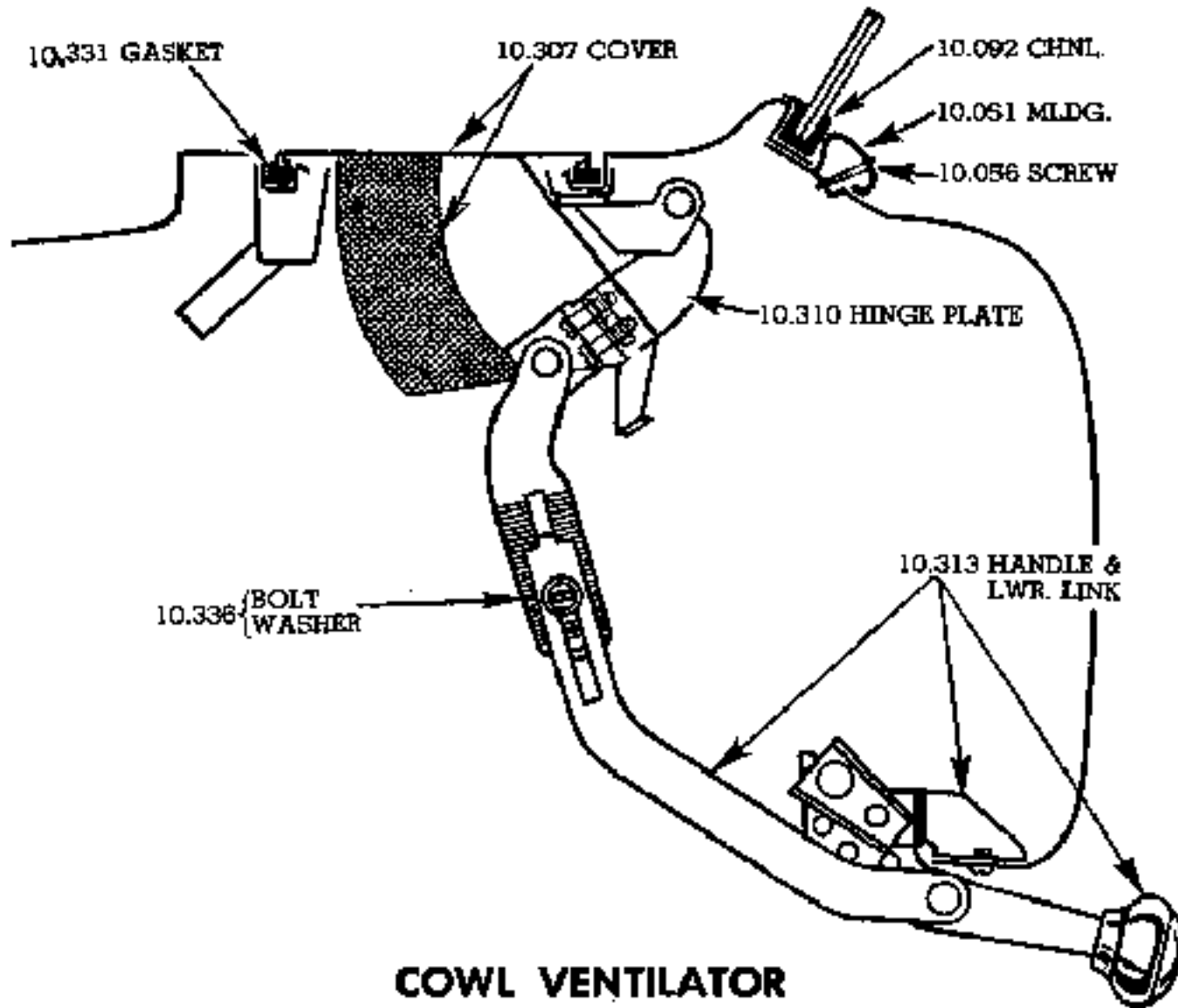
**10.273 LIGHT—LAMP—SWITCH, Instrument Panel Compartment**

53	Ser. 1200	LIGHT, w/switch, bulb, and screw	986693	1	1.23
53	PASS.	LAMP, courtesy, right and left, w/attach. parts	986806	1	2.75
54	Ser. 1200	LAMP, w/switch, bulb and screw	986899	1	1.25
50-52	Ser. 1000	SWITCH	3698780	1	.95
53-54	PASS.	SWITCH	3699662	1	.75





**INSTRUMENT PANEL DOOR LOCK**



**COWL VENTILATOR**

<b>10.307 COVER, Cowl Ventilator, Primed</b>					
41-48	PASS.	with link	4114898	1	3.63
<b>10.313 HANDLE, Cowl Ventilator Adjuster w/Lower Link</b>					
41-48	PASS.		4131358	1	2.28
<b>10.331 GASKET, Cowl Ventilator Cover</b>					
37-48	PASS.	(formed in one piece—lip type, developed length—38)	4081958	1	1.15
<b>10.344 HOSE, Cowl Ventilator Drain</b>					
37-39	PASS.	( $1\frac{1}{2}$ " I.D. x $10\frac{3}{8}$ " developed length—molded)	4089930	1	.28
40-48	PASS.	( $1\frac{1}{2}$ " I.D. x $13\frac{5}{8}$ " developed length—molded)	4101941	1	.28
<b>10.351 DOOR, Front (less paint, trim and hardware)</b>					
39	1001-11-1201-11	right	4091055	1	40.97
39	1001-11-1201-11	left	4091056	1	40.97
39	1009-19-1209-19-71	right	4091057	1	37.72

39	1009-19-1209-19-71	left	4091058	1	37.72
40	1011-1211-1511	right	4103258*	1	40.97
40	1011-1211-1511	left	4103259*	1	40.97

\*NOTE: When using these parts on 1940 Job 1211 it is necessary to use door belt moulding 4102164 R.H. or 4102165 L.H., and paint over same.

40	CPES.	right	4103264	1	40.97
40	CPES.	left	4103265	1	40.97
40	1019-1219-71-1519-69-71	left	4103271†	1	37.72
40	1019-1219-71-1519-69-71	right	4103270†	1	37.72

\*NOTE: When using 4103270 on 1940 Jobs 1219-71-1519-69-71 it will be necessary to use door belt moulding 4102166 and paint over same.

41	CONV.	right	4184816	1	51.83
41	CONV.	left	4184817	1	51.83
41	1069	right	4128806	1	44.77
41	1069	left	4128807	1	44.77
41	1011-1211	right	4116839	1	44.77
41	1011-1211	left	4116840	1	44.77
41	1019-1219-71	right	4117596	1	37.72
41	1019-1219-71	left	4117597	1	37.72
41	CPES.	right	4117604	1	44.77
41	CPES.	left	4117605	1	44.77
42-48	1019-1219-71	right (jobs less upper belt mldg. holes)	4184824	1	44.77
42-48	1019-1219-71	left (jobs less upper belt mldg. holes)	4184825	1	44.77
42-48	1011-1211	right (jobs less upper belt mldg. holes)	4184826	1	51.83
42-48	1011-1211	left (jobs less upper belt mldg. holes)	4184827	1	51.83
42-48	1069	right (jobs less upper belt mldg. holes)	4184828	1	44.77
42-48	1069	left (jobs less upper belt mldg. holes)	4184829	1	44.77
42-48	CPE.	right (jobs less upper belt mldg. holes)	4184830	1	51.83
42-48	CPE.	left (jobs less upper belt mldg. holes)	4184831	1	51.83
42-48	1007	right (jobs less upper belt mldg. holes)	4184832	1	51.83
42-48	1007	left (jobs less upper belt mldg. holes)	4184833	1	51.83
42-48	CONV.	right (jobs less upper belt mldg. holes)	4184834	1	51.83
42-48	CONV.	left (jobs less upper belt mldg. holes)	4184835	1	51.83
48-48	STA. WAG.	right	3847230	1	124.82
48-48	STA. WAG.	left	3847231	1	124.82
49-51	1008-1208	right	4184846	1	48.50
49-51	1008-1208	left	4184847	1	48.50
49-52	1069-1269	right	4184844	1	49.50
49-52	1069-1269	left	4184845	1	49.50
49-52	1062	right	4184836	1	47.50
49-52	1062	left	4184837	1	47.50
49-52	1007-1207	right	4184838	1	54.75
49-52	1007-1207	left	4184839	1	54.75
49-52	CONV., BEL AIR.	right	4184848	1	54.75
49-52	CONV., BEL AIR.	left	4184849	1	54.75
49-52	SDL.	right	4184850	1	49.50
49-52	SDL.	left	4184851	1	49.50
49-52	1011-1211	right	4184840	1	54.75
49-52	1011-1211	left	4184841	1	54.75
49-52	1027-1227-27B	right	4184842	1	54.75
49-52	1027-1227-27B	left	4184843	1	54.75
49	1061	right	4572231	1	157.37
49	1061	left	4572232	1	157.37
53	1011-27-1211-27-27B	right	4191744	1	55.75
53	1011-27-1211-27-27B	left	4191745	1	55.75
53	1069-1269	right	4191746	1	49.75
53	1069-1269	left	4191747	1	49.75
53	CONV., SPT. CPE.	right	4191122	1	54.75
53	CONV., SPT. CPE.	left	4191123	1	54.75
53-54	STA. WAG.	right	4191748	1	48.50
53-54	STA. WAG.	left	4191749	1	48.50
53-54	SDL.	right	4191750	1	49.75
53-54	SDL.	left	4191751	1	49.75
54	1011-1211	right	4200414	1	55.75
54	1011-1211	left	4200415	1	55.75
54	1069-1269W	right	4200412	1	49.75

54	1089-1269W	left	4200413	1	49.75
54	CONV., SPT. CPE.	right	4200416	1	54.75
54	CONV., SPT. CPE.	left	4200417	1	54.75

**10.352 PANEL ASSY., Front Door Outer Trim**

49	1061	right (32 $\frac{1}{8}$ long)	4566835	1	3.00
49	1061	left (32 $\frac{1}{8}$ long)	4566836	1	3.00

**GUARD UNIT, Door Edge**

53-54	2-DOOR (exc. SDL.)		986943	1	3.95
53-54	4-DOOR (exc. STA. WAG.)		986963	1	6.95

**10.354 TRANSFER, Body**

49-54	1062-62D	(exterior, mahogany—21 $\frac{1}{2}$ x 48 $\frac{1}{4}$ )	4573156	A.R.	6.50
49-54	1062-62D	(exterior, ash—32 x 55)	4573157	A.R.	10.75

**KIT—Transfer Installation (For Transfers see Groups 10.354—12.195)**

49-53	1062	KIT	4172015	A.R.	No List
NOTE: 4172015 Consists of two (2) each of 4172016-18, one (1) each 4172017-20-21-22-23-24-25 and 2 Squee Geas.					
49-54	1062-62D	BONDING COAT MATERIAL (K-36) (1 PT.)	4172016	A.R.	No List
49-54	1062-62D	WELDING SOLUTION (A-1171) (1 PT.)	4172017	A.R.	No List
49-54	1062-62D	TOP COAT (R&M-XP-2857) (1 PT.)	4172018	A.R.	No List
49-54	1062-62D	DI-NOC, Highlight (17000-H) ( $\frac{1}{4}$ PT.)	4172020	A.R.	No List
49-54	1062-62D	DI-NOC, Solid (17000-S) ( $\frac{1}{4}$ PT.)	4172021	A.R.	No List
49-54	1062-62D	DI-NOC, Highlight (17001-H) ( $\frac{1}{4}$ PT.)	4172022	A.R.	No List
49-54	1062-62D	DI-NOC, Solid (17001-S) ( $\frac{1}{4}$ PT.)	4172023	A.R.	No List
49-53	1062	DI-NOC, Highlight (17002-H) ( $\frac{1}{4}$ PT.)	4172024	A.R.	No List
49-53	1062	DI-NOC, Solid (17002-S) ( $\frac{1}{4}$ PT.)	4172025	A.R.	No List

**10.355 PANEL ASSY., Front Door Lock-Inside**

49	1061	right	4566782	1	6.34
49	1061	left	4566783	1	6.34

**10.357 TAB—CLIP, Front Door Trim Binding Strip Replacement**

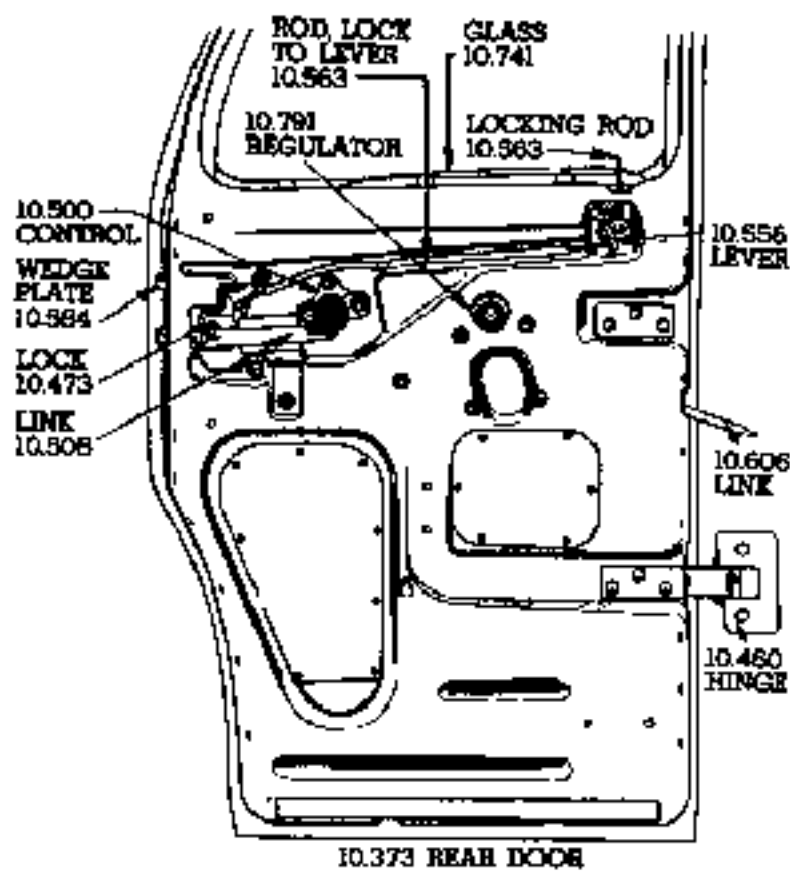
36-54	PASS. (exc. STA. WAG.)	TAB (1 long w/one nail emergency tab)	4081772	A.R.	.07
49-52	CONV., BEL AIR,				
53-54	CONV., SPT. CPE.	CLIP ( $1\frac{15}{32}$ wide x $2\frac{1}{2}$ deep)	4576034	A.R.	.06

**10.373 DOOR, Rear (less paint, trim and hardware)**

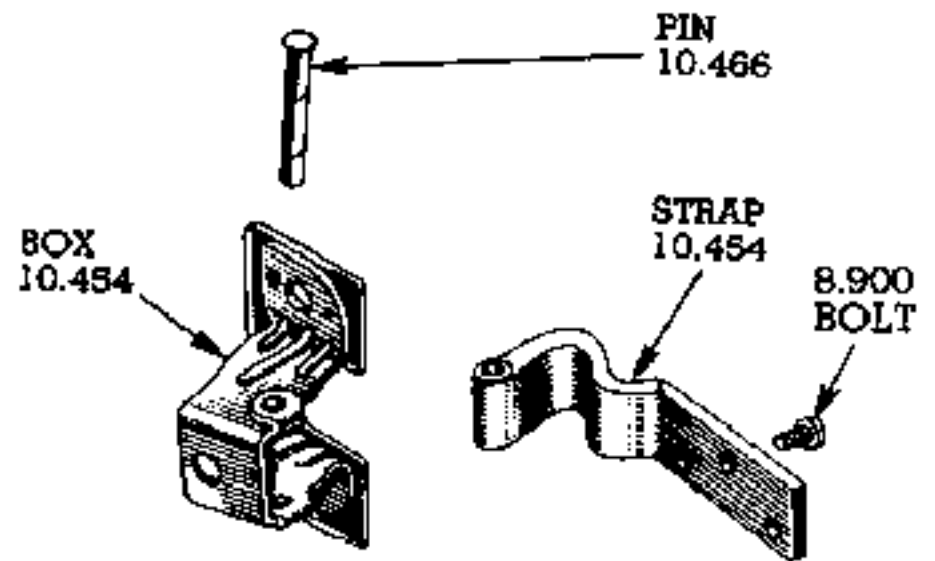
37-38	1009-19-1209-19	right	4083990	1	30.12
39	1009-19-1209-19	right	4091059	1	32.45
39	1009-19-1209-19	left	4091060	1	32.45
40	1019-69-1219-1519-69	right	4103274*	1	35.00
40	1019-69-1219-1519-69	left	4103275*	1	35.00

\*NOTE: When using 4103274-5 on 1940 jobs 1219-1519-69 it is necessary to use door belt mldg. 4102168-9.

41-48	1069	right (jobs with upper belt mldg. holes)	4184856	1	39.62
41-48	1069	left (jobs with upper belt mldg. holes)	4184857	1	39.62
41-48	1019-1219	right (jobs less upper belt mldg. holes)	4184854	1	39.62
41-48	1019-1219	left (jobs less upper belt mldg. holes)	4184855	1	39.62
46-48	STA. WAG.	right	4164576	1	103.11
46-48	STA. WAG.	left	4164577	1	103.11
49-52	1069-1269	right	4184858	1	52.00
49-52	1069-1269	left	4184859	1	52.00
49-52	1062	right	4184862	1	53.00
49-52	1062	left	4184863	1	53.00
49-51	1008-1208	right	4184860	1	52.00
49-51	1008-1208	left	4184861	1	52.00
49	1061	right	4572300	1	124.82
49	1061	left	4572301	1	124.82
53	1069-1269	right	4199094	1	52.00
53	1069-1269	left	4199095	1	52.00
53-54	STA. WAG.	right	4191174	1	53.00



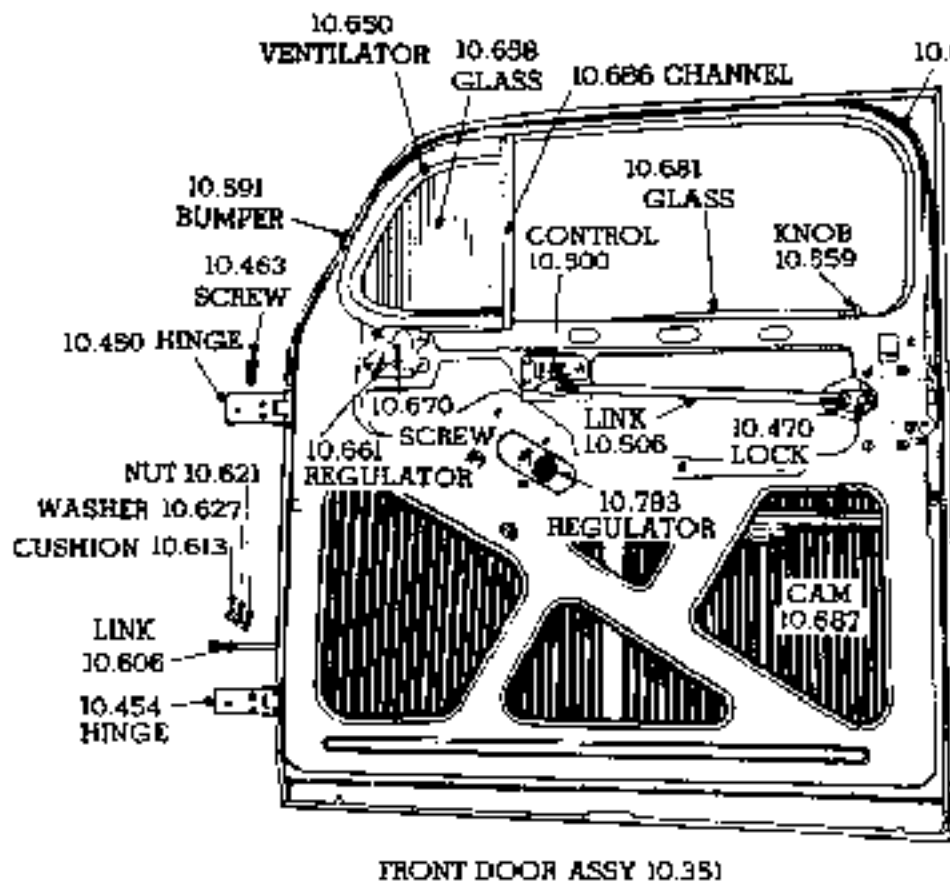
1942-48 REAR DOOR



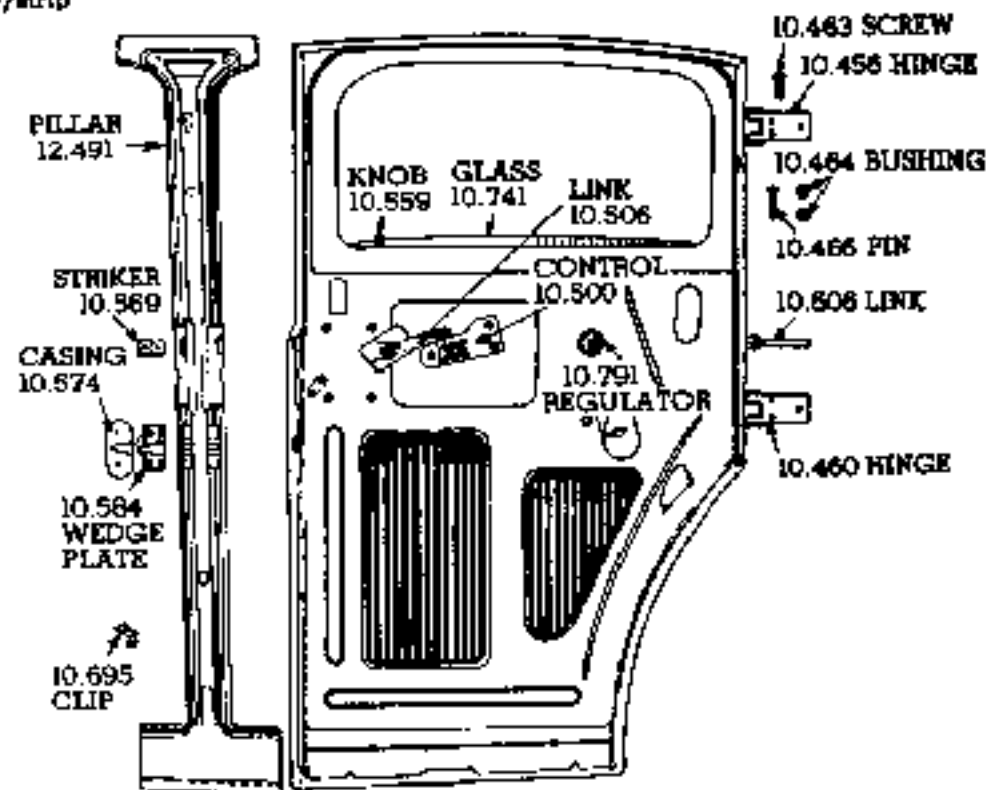
1940-41 HINGE STRAP AND BOX

53-54	STA. WAG.	left	4191175	1	53.00
54	1069-1269W	right	4200418	1	52.00
54	1069-1269W	left	4200419	1	52.00
<b>10.374 PANEL ASSY., Rear Door Outer Trim</b>					
49	1061	left (30 7/8 long)	4567017	1	3.45
<b>10.377 COVER, Rear Door Panel Access Hole</b>					
53-54	1069-1269-69W	right	4615479	1	1.35
53-54	1069-1269-69W	left	4615480	1	1.35
<b>10.379 BOLT, Door Frame Stiffener</b>					
34-36	PASS.				
37-52	CONV., BEL AIR	(41 5/8 long)	4562976	2	.55
<b>10.380 NUT, Door Frame Stiffener Bolt</b>					
34-36	PASS.				
37-52	CONV., BEL AIR	(composite door)	4049538	2	.23
<b>10.390 DOOR, Back</b>					
41-48	SDL		4147994	1	34.08
49-54	SDL		4191207	1	36.37
<b>10.393 MOULDING, Back Door Opening Finishing</b>					
49-52	SDL	right	4572282	1	3.10
49-52	SDL	left	4572283	1	3.48
53	SDL	right	4623266	1	3.10
53	SDL	left	4623267	1	3.48
54	SDL	right	4641041	1	3.10
54	SDL	left	4641042	1	3.10
49-54	SDL	WEATHERSTRIP (attaches to door)	4167900	1	(10.694)
49-54	SDL	WEATHERSTRIP (attaches to body opening)	4172355	1	(12.269)
<b>10.444 SPRING-RIVET, Front Door Hinge Hold Open</b>					
53-54	PASS.	(w/2 holes 1 13/16 ctr. to ctr.)	4180859	8	.16
53-54	PASS.	RIVET (3/16 O.D. x 3/8 O.L. w/5/16 hd.)	4180860	16	.03





FRONT DOOR ASSY 10.351



REAR DOOR ASSY 10.373

**1936-1948 FRONT DOOR**

**1936-41 REAR DOOR**

**10.460 HINGE-BOX ASSY.-STRAP-PLATE, Front Door-Upper**

35	1017-57	left (stamped A71734)	4059820	1	1.77
36	1201-09-11-19	left (steel door) (stamped A88646)	4065611	1	1.77
37-38	PASS.	right (stamped H17114)	4073865	1	3.23
37-38	PASS.	left (stamped H17113)	4073866	1	3.23
39	PASS.	right (stamped H33373)	4090130	1	3.23
39	PASS.	left (stamped H33372)	4090131	1	3.23
42-48	PASS.	right (ident. No., male half "7," female half "45")	4125227	1	3.12
42-48	PASS.	left (ident. No., male half "6," female half "44")	4125228	1	3.12
49-52	PASS.	right and left (w/bushing and pin)	4599290	2	2.43
40	PASS.	BOX, right (stamped H71423)	4102233	1	1.54
40	PASS.	BOX, left (stamped H33351)	4102234	1	1.54
41	PASS.	BOX, right	4114478	1	2.28
41	PASS.	BOX, left	4114479	1	2.28
53-54	PASS.	BOX, right (w/spring)	4191681	1	3.75
53-54	PASS.	BOX, left (w/spring)	4191682	1	3.75
40	PASS.	STRAP	4091049	2	1.65
41	PASS.	STRAP	4099756	2	1.65
53-54	PASS.	STRAP, right (w/bushing)	4191683	1	3.95
53-54	PASS.	STRAP, left (w/bushing)	4191684	1	3.95
53-54	PASS.	PLATE, hinge on body, right and left (two 1/8 holes)	4614531	2	.15

**10.454 HINGE—BOX ASSY.—STRAP, Front Door, Lower**

37-38	PASS.	right (stamped H17116)	4073867	1	3.23
37-38	PASS.	left (stamped H17115)	4073868	1	3.23
39	PASS.	right (stamped H33375)	4091039	1	2.85
39	PASS.	left (stamped H33374)	4091040	1	2.85
40	PASS.	right (stamped H71698)	4102224	1	3.23
40	PASS.	left (stamped H71697)	4102225	1	3.23
42-48	PASS.	right and left Ident. No., male half "53," female half "52"	4125273	2	3.15
49-52	PASS.	right and left (w/bushing and pin)	4559290	2	(10.450)
41	PASS.	BOX, right	4116620	1	2.28
41	PASS.	BOX, left	4116621	1	2.28
53-54	PASS.	BOX, right (w/spring)	4150328	1	2.98
53-54	PASS.	BOX, left (w/spring)	4150329	1	2.98
41	PASS.	STRAP	4099757	2	1.65
53-54	PASS.	STRAP, right or left (w/bushing)	4191685	2	2.35

**10.456 HINGE—BOX—STRAP, Rear Door, Upper**

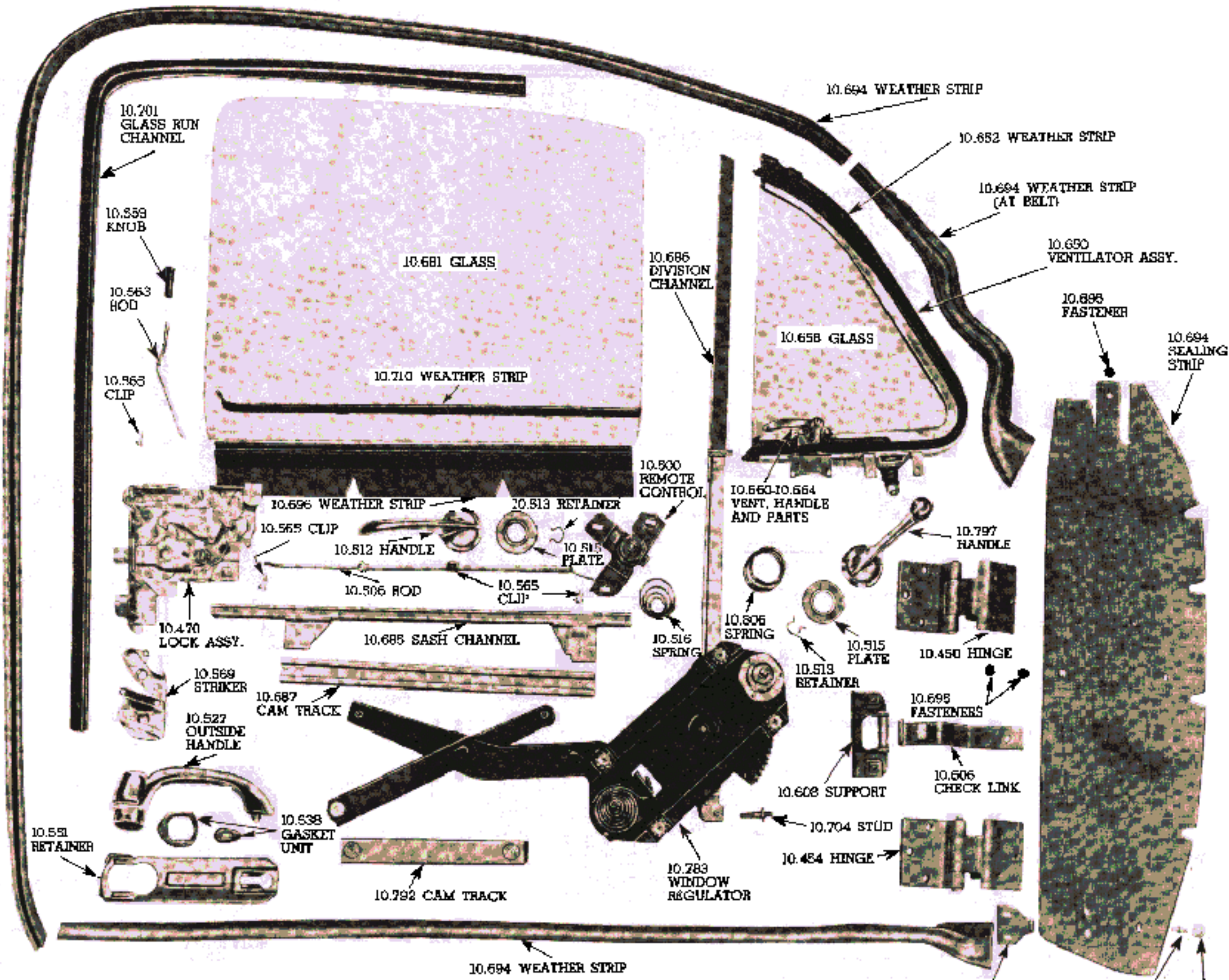
37-39	4-DOOR	right and left (stamped H17117)	4073869	2	2.85
40	PASS.	right (stamped H71538)	4102222	1	2.85
40	PASS.	left (stamped H71539)	4102223	1	2.85
46-48	STA. WAG.	right and left, used on 1st. 800 bodies in 1948	3847302	2	3.12
48	STA. WAG.	right and left, used "AFTER" 1st 800 bodies in 1948	4162635	2	3.12
49-52	1008-62-69-1208-69	right (w/bushing and pin)	4559411	1	2.85
49-52	1008-62-69-1208-69	left (w/bushing and pin)	4559412	1	2.85
49	1061	right (w/bushing and pin)	4565792	1	3.35
49	1061	left (w/bushing and pin)	4565793	1	3.35
52	TAXI	right (w/bushing and pin)	4612700	1	4.75
52	TAXI	left (w/bushing and pin)	4612701	1	4.75
53	4-DOOR	(w/bushing and pin)	4595546	2	2.91
54	4-DOOR	(w/bushing and pin)	4644958	2	2.90
41-48	4-DOOR SEDANS	BOX, right (stamped H75190 also 90 on base)	4114480	1	1.88
41-48	4-DOOR SEDANS	BOX, left (stamped H75189)	4114481	1	1.88
41-48	4-DOOR SEDANS	STRAP, right	4117058	1	1.54
41-48	4-DOOR SEDANS	STRAP, left	4117059	1	1.54

**10.460 HINGE—BOX—STRAP, Rear Door, Lower**

37-39	4-DOOR	right and left (stamped H17119)	4073871	2	3.23
46-48	STA. WAG.	right and left, used on 1st. 800 bodies in 1948	3847303	2	3.12
48	STA. WAG.	right and left, used "AFTER" 1st. 800 bodies in 1948	4162635	2	(10.456)
49-52	1008-62-69-1208-69	right (w/bushing and pin)	4559314	1	2.85
49-52	1008-62-69-1208-69	left (w/bushing and pin)	4559315	1	2.85
49	1061	right (w/bushing and pin)	4565736	1	5.40
49	1061	left (w/bushing and pin)	4565737	1	5.40
52	TAXI	right (w/bushing and pin)	4612703	1	4.30
52	TAXI	left (w/bushing and pin)	4612704	1	4.30
53-54	4-DOOR	(w/bushing and pin)	4595624	2	2.91
40	4-DOOR SEDANS	BOX, right (stamped H71550)	4102235	1	1.54
40	4-DOOR SEDANS	BOX, left (stamped H71551)	4102236	1	1.54
41-48	4-DOOR SEDANS	BOX, right (Ident. 87 stamped on base)	4118497	1	1.31
41-48	4-DOOR SEDANS	BOX, left (Ident. 88 stamped on base)	4118498	1	1.31
40	4-DOOR SEDANS	STRAP	4091049	2	(10.450)
41-48	4-DOOR SEDANS	STRAP	4099759	2	1.54

**10.461 HINGE, Back Door**

40-48	SDL	upper (stamped H72193)	4102228	1	5.12
40-48	SDL	lower (stamped H72194)	4102229	1	5.12
49-54	SDL	lower	4561963	1	5.63
49-54	SDL	upper	4561972	1	5.63



1949-52 FRONT DOOR PARTS







**10.463 BOLT, Door Hinge to Hinge Pillar**

40-41	PASS.....	front door, hinge to door ( $\frac{5}{16}$ — $24 \times \frac{3}{16}$			
46-48	1019-69-1219-71.....	hex. hd.).....	4103214	A.R.	.06
42-48	PASS.....	front door, hinge to door and body,			
49-52	1008-62-69-1208-69.....	rear door, hinge to door and body.....	4605409	A.R.	.06
41	1069,				
42-46	1019-69-1219.....	rear door, hinge to door.....	3685462	A.R.	.06
41	1027B-67-1227B-71.....	front and rear door, hinge to body ( $\frac{3}{8}$ —			
42-46	1019-69-1219.....	$24 \times \frac{1}{8}$ long oval hd.).....	4096042	A.R.	.06
49-52	PASS.....	front door, hinge to body (w/washer).....	4575224	12	.10
49-52	PASS. (exc. 1061).....	front door, hinge to door,			
50-54	SDL.....	back door hinge.....	4569805	A.R.	.06
53-54	PASS.....	front door, hinge to door (w/washer).....	4559284	12	.08
53-54	4-DOOR.....	rear door, hinge to door and body.....	4573149	12	.06
53-54	PASS.....	front door, hinge to body (w/washer).....	4589780	8	.08
53-54	PASS.....	SCREW, front door, hinge to body (w/washer).	4602582	10	.08

**10.464 BUSHING, Door Hinge**

32-54	PASS.....	front and rear.....	4110660	A.R.	.06
-------	-----------	---------------------	---------	------	-----

**10.466 PIN, Door Hinge**

29-30	PASS.,				
31	568-70-71,				
32	PASS.,				
33	570.....	front door, upper,			
29-31	PASS.....	front door, center and lower,			
32	568-71.....	front door, center and lower,			
29-35	PASS. (exc. Ser. 351000).....	rear door, upper and lower,			
29-35	PASS. (exc. Ser. 351000).....	rear door, upper and lower,			
29-31	PASS.....	rear door, center,			
35-39	PASS. (exc. Ser. 351200).....	front and rear door, upper and lower,			
36-54	SDL.....	back door, upper and lower ( $1\frac{1}{16} \times 2\frac{3}{16}$			
		w/oil groove).....	4023559	A.R.	.18
32-35	PASS. (exc. Ser. 351200).....	front and rear door, upper and lower,			
32-35	SDL.....	back door, upper and lower,			
40	PASS.....	front upper and rear lower,			
41	PASS.....	front and rear upper and lower,			
42-48	4-DOOR.....	rear, upper and lower ( $1\frac{1}{16} \times 2\frac{1}{4}$ , w/oil			
		groove).....	4091054	A.R.	.13
40	PASS.....	front door, lower ( $1\frac{1}{16} \times 2\frac{1}{16}$ , with oil			
		groove).....	4102227	2	.13
40	4-DOOR.....	rear door, upper ( $1\frac{1}{16} \times 2\frac{1}{16}$ , w/oil groove)	4102226	2	.13
42-48	PASS. (exc. STA. WAG.).....	front, upper and lower,			
53-54	4-DOOR.....	rear, upper and lower ( $1\frac{1}{16} \times 3\frac{3}{16}$ ).....	4125658	4	.13
49-52	PASS.....	front door, upper and lower,			
49-52	1008-62-69-1208-69.....	rear door, upper and lower.....	4167907	8	.13
53-54	PASS.....	front door, upper ( $2\frac{1}{16}$ O.L.).....	4150438	4	.13
53-54	PASS.....	front door, lower ( $2\frac{1}{4}$ O.L.).....	4156399	2	.13

**10.469 PLATE, Door Hinge Cover**

42-48	PASS.....	(on door, upper and lower).....	4131038	4	.13
42-48	PASS.....	(on body, upper and lower).....	4131099	4	.13
49-52	1008-62-69-1208-69.....	(on body, rear door lower).....	4560072	2	.17
49-52	PASS. (exc. 1061).....	(on body, front door upper and lower)....	4564649	4	.17
49-52	1008-62-69-1208-69.....	(on body, rear door upper).....	4559601	2	.17
49-52	1008-69-1208-69.....	right (on rear door—lower).....	4561747	1	.23
49-52	1008-69-1208-69.....	left (on rear door—lower).....	4561748	1	.23
49-52	PASS. (exc. 1061).....	right (on front door—lower).....	4561285	1	.23
49-52	PASS. (exc. 1061).....	left (on front door—lower).....	4561286	1	.23
49-52	PASS. (exc. 1061).....	right (on front door—upper).....	4561477	1	.23
49-52	PASS. (exc. 1061).....	left (on front door—upper).....	4561478	1	.23
49-52	1008-62-69-1208-69.....	right (on rear door—upper).....	4570341	1	.23
49-52	1008-62-69-1208-69.....	left (on rear door—upper).....	4570342	1	.23
53-54	PASS.....	right (on front door—upper) (stmpd. 42)...	4596442	1	.42
53-54	PASS.....	left (on front door—upper) (stmpd. 43)...	4596443	1	.42
53-54	1069-1269-69W.....	right (on rear door—upper).....	4596641	1	.23

53-54	1069-1269-69W	left (on rear door—upper)	4596642	1	.23
53-54	1069-1269-69W	right or left (on body, rear door—upper) (7 $\frac{1}{8}$ O.L.)	4597753	2	.17
53	4-DOOR	right (on rear door—lower) (5 $\frac{1}{8}$ O.L.)	4598831	1	.55
53	4-DOOR	left (on rear door—lower) (5 $\frac{1}{8}$ O.L.)	4598832	1	.55
53-54	4-DOOR	right (on body, rear door—lower) (7 O.L.)	4598734	1	.25
53-54	4-DOOR	left (on body, rear door—lower) (7 O.L.)	4598735	1	.25
53-54	STA. WAG.	right (on rear door—upper) (stmpd. 68)	4605668	1	.23
53-54	STA. WAG.	left (on rear door—upper) (stmpd. 69)	4605669	1	.23
53-54	STA. WAG.	right or left (on body, rear door—upper) (stmpd. 75)	4597675	2	.17
53-54	SDL	(on body, rear door—lower)	4637858	1	.25
53-54	SDL	(on body, rear door—upper)	4637859	1	.25
54	4 DOOR	right (on rear door—lower)	4631637	1	.40
54	4 DOOR	left (on rear door—lower)	4631638	1	.40
42-47	PASS. (exc. STA. WAG.),				
48	PASS.	SCREW, cover plate	120221	A.R.	(8.906)

#### 10.470 LOCK, Front Door

NOTE: 1936 standard bodies having letter "Z" after body job number shown on body identification plate are equipped with steel doors. Parts for steel doors only and composite doors only are listed separately.

33-36	PASS. (exc. SDL)	right, composite door	4062643	1	4.49
33-36	PASS. (exc. SDL)	left, composite door	4062642	1	4.49
36	1201-09-11-19	right (steel door)	4070805	1	4.14
36	1201-09-11-19	left (steel door)	4070806	1	4.14
37-39	PASS.	right	4082040	1	4.95
37-39	PASS.	left	4082041	1	4.95
40	PASS.	right	4102240	1	4.95
40	PASS.	left	4102239	1	4.95
41-48	PASS.	right	4113799	1	5.25
41-48	PASS.	left	4113800	1	5.25
49-51	PASS. (1st type)	right	4560814	1	5.25
49-51	PASS. (1st type)	left	4560815	1	5.25
51-53	PASS. (2nd type)	right	4626155	1	5.25
51-53	PASS. (2nd type)	left	4626156	1	5.25
54	PASS.	right	4643359	1	5.25
54	PASS.	left	4643360	1	5.25

#### 10.471 DEFLECTOR, Door Panel Water

53-54	PASS.	right, at lock (pt. No. molded on)	4596734	1	.33
53-54	PASS.	left, at lock (pt. No. molded on)	4596735	1	.33

#### 10.473 LOCK, Rear Door

33-36	4-DOOR	right (composite door)	4062642	1	(10.470)
33-36	4-DOOR	left (composite door)	4062643	1	(10.470)
36	1209-19	right (steel door)	4070806	1	(10.470)
36	1209-19	left (steel door)	4070805	1	(10.470)
37-39	4-DOOR	right	4082041	1	(10.470)
37-39	4-DOOR	left	4082040	1	(10.470)
40	4-DOOR	right	4102241	1	4.14
40	4-DOOR	left	4102242	1	4.14
41-48	4-DOOR	right	4125851	1	4.49
41-48	4-DOOR	left	4125852	1	4.49
49-51	4-DR. PASS. (1st type)	right	4560816	1	5.12
49-51	4-DR. PASS. (1st type)	left	4560817	1	5.12
51-53	4-DR. PASS. (2nd type)	right	4592733	1	5.12
51-53	4-DR. PASS. (2nd type)	left	4592734	1	5.12
54	4-DR. PASS.	right	4643361	1	5.15
54	4-DR. PASS.	left	4643362	1	5.15

#### 10.474 SPRING, Front and Rear Door Lock

42-48	PASS.	lock bolt return (front and rear)	4147585	1	.12
42-48	PASS.	lock handle return (front and rear)	4147586	1	.12
49-51	PASS. (1st type)	lock bolt return	4172039	A.R.	.12
49-51	PASS.	right—lock hook lever (C-shape .063 wire)	4183793	A.R.	.12
49-51	PASS.	left—lock hook lever (C-shape .063 wire)	4183794	A.R.	.12

49-51	4-DR. PASS. (1st type)	right—rear dr. lock tie bar (C-shape .045 wire)	4172042	1	.12
49-51	4-DR. PASS. (1st type)	left—rear dr. lock tie bar (C-shape .045 wire)	4172043	1	.12
51-54	PASS. (2nd type)	right—lock bolt and hook return	4183797	A.R.	.12
51-54	PASS. (2nd type)	left—lock bolt and hook return	4183798	A.R.	.12
51-54	4-DR. PASS. (2nd type)	right—rear door lock tie bar (loop type— $1\frac{3}{4}$ free height .045 wire)	4183795	1	.12
51-54	4-DR. PASS. (2nd type)	left—rear door lock tie bar (loop type— $1\frac{3}{4}$ free height .045 wire)	4183796	1	.12
42-48	PASS.	CLIP, lock bolt return spring (front and rear)	4147584	1	.02
51-54	PASS.	SCREW, door lock to facing	4591016	12	.05

**10.479 LOCK, Back Door**

35-39	SDL		4073880	1	5.12
40-48	SDL		4102243	1	5.12
49-50	SDL		4560815	1	(10.470)
51-53	SDL		4626156	1	(10.470)
54	SDL		4643359	1	(10.470)

**10.500 CONTROL, Door Lock Remote**

NOTE: Steel doors are used on Std. Bodies having No. plates w/letter "Z" after job No.  
Parts for use w/Steel Doors and Composite Doors only are listed separately.

29-30	PASS.	right, front and rear,			
31-32	SDL	right, front,			
33-35	PASS. (exc. 33570, Ser. 351000)	right, front,			
33-36	4-DOOR	right, rear (composite door),			
36	Ser. 1200 (exc. CONV.)	right, front (composite door),			
36	Ser. 1000 (and CONV.)	left, front	4064830	A.R.	.97
29-30	PASS.	left, front and rear,			
31-32	SDL	left, front,			
33-35	PASS. (exc. 33570, Ser. 351000)	left, front,			
33-36	4-DOOR	left, rear,			
36	Ser. 1200 (exc. CONV.)	left, front (composite door),			
36	Ser. 1000 (and CONV.)	right, front	4064831	A.R.	.97
36	1201-09-11-19,				
37-38	PASS.	right front and right rear door (steel)	4082691	A.R.	.97
36	1201-09-11-19,				
37-38	PASS.	left front and left rear door (steel)	4082692	A.R.	1.00
39	1001-11-1201-11	right front door	4091101	1	.97
39	PASS. (exc. 1001-11-1201-11)	right front and right rear door	4091104	A.R.	.97
39	PASS.	left front and left rear door	4091103	A.R.	.97
40-48	PASS.	right front and right rear door	4133003	A.R.	.97
40-48	PASS.	left front and left rear door	4133004	A.R.	.97
49-52	PASS. (exc. STA. WAG.)	right, front and rear door	4562601	1	.97
49-52	PASS. (exc. STA. WAG.)	left, front and rear door	4562602	1	.97
49-52	STA. WAG.	right, front and rear door	4563368	1	.97
49-52	STA. WAG.	left, front and rear door	4563369	1	.97
53-54	PASS.	right, front	4569559	1	.95
53-54	PASS.	left, front	4569560	1	.95
53-54	4-DOOR	right, rear	4596423	1	.97
53-54	4-DOOR	left, rear	4596424	1	.97

**10.501 PARTS, Door Lock Remote Control and Connecting Link Attaching**

41-48	PASS.	WASHER, remote control to inner panel	120423	A.R.	(8.932)
41-54	PASS.	BOLT, remote control ( $\frac{1}{4}$ —20 x $\frac{3}{16}$ )	431791	A.R.	(8.907)

**10.506 LINK—ROD, Door Lock Remote Control Connecting**

29-30	PASS.				
31-32	SDL				
33-34	PASS. (exc. SDL),				
35	1201A-07A-09A-71A,				
36	Ser. 1200 (exc. 1217-57),				
37-40	PASS.	front door,			
38-39	2-DOOR SEDAN.	right front door,			
41-48	1019-69-1219-71	front door,			
29-41	4-DOOR	rear door (universal— $\frac{5}{8}$ wide x $20\frac{1}{2}$ long)	4033996*	2	.32

41-48	2-DOOR (exc. SDL).....	right and left front door (22 $\frac{5}{8}$ long).....	4114453	2	.32
42-48	1007.....	front door (24 $\frac{1}{2}$ long).....	4131438	2	.32
42-48	1019-1219.....	left rear door, w/lever.....	4131417	1	.33
42-48	1019-1219.....	right rear door, w/lever.....	4131418	1	.33
42-48	1069.....	left rear door, w/lever.....	4131421	1	.40
42-48	1069.....	right rear door, w/lever.....	4131422	1	.40
49-52	1007-11-27-1207-11-27-27B.....	ROD, right front door (21 $\frac{3}{8}$ long).....	4561811	1	.17
49-52	1007-11-27-1207-11-27-27B.....	ROD, left front door (21 $\frac{3}{8}$ long).....	4561812	1	.17
49-52	1069-1269.....	ROD, right rear door (12 $\frac{5}{8}$ long).....	4562594	1	.13
49-52	1069-1269.....	ROD, left rear door (12 $\frac{5}{8}$ long).....	4562595	1	.13
49-52	1008-69-1208-69-71.....	ROD, right front door (14 $\frac{1}{4}$ long).....	4562598	1	.13
49-52	1008-69-1208-69-71.....	ROD, left front door (14 $\frac{1}{4}$ long).....	4562597	1	.13
49-52	1062.....	ROD, right front door (12 $\frac{3}{8}$ long).....	4562610	1	.13
49-52	1062.....	ROD, left front door (12 $\frac{3}{8}$ long).....	4562611	1	.13
49-52	CONV., BEL AIR.....	ROD, right front door (20 $\frac{3}{4}$ long).....	4582498	1	.17
49-52	CONV., BEL AIR.....	ROD, left front door (20 $\frac{3}{4}$ long).....	4582499	1	.17
49	1061.....	ROD, right front door (14 $\frac{5}{8}$ long).....	4566752	1	.13
49	1061.....	ROD, left front door (14 $\frac{5}{8}$ long).....	4566753	1	.13
49-52	1062.....	ROD, right rear door (10 $\frac{15}{16}$ long).....	4562648	1	.17
49-52	1062.....	ROD, left rear door (10 $\frac{15}{16}$ long).....	4564987	1	.13
49	1061.....	ROD, right rear door (10 $\frac{19}{16}$ long).....	4566831	1	.13
49-51	1008-1208.....	ROD, right rear door (12 $\frac{7}{16}$ long).....	4572892	1	.13
49-51	1008-1208.....	ROD, left rear door (12 $\frac{7}{16}$ long).....	4572893	1	.13
53-54	1011-27-1211-27-27B.....	ROD, right front (21 $\frac{3}{8}$ long).....	4597458	1	.17
53-54	1011-27-1211-27-27B.....	ROD, left front (21 $\frac{3}{8}$ long).....	4597459	1	.17
53-54	1069-1269-69W.....	ROD, right front (14 $\frac{5}{8}$ long).....	4597460	1	.13
53-54	1069-1269-69W.....	ROD, left front (14 $\frac{5}{8}$ long).....	4597461	1	.13
53-54	CONV., SPT. CPE.....	ROD, right front (21 $\frac{1}{2}$ long).....	4597462	1	.17
53-54	CONV., SPT. CPE.....	ROD, left front (21 $\frac{1}{2}$ long).....	4597463	1	.17
53-54	STA. WAG., SDL.....	ROD, right front (14 $\frac{1}{8}$ long).....	4597464	1	.13
53-54	STA. WAG., SDL.....	ROD, left front (14 $\frac{1}{8}$ long).....	4597465	1	.13
53-54	1069-1269-69W.....	ROD, right rear (9 $\frac{5}{8}$ long).....	4601398	1	.13
53-54	1069-1269-69W.....	ROD, left rear (9 $\frac{5}{8}$ long).....	4601399	1	.13
53-54	STA. WAG.....	ROD, right rear (9 long).....	4601400	1	.17
53-54	STA. WAG.....	ROD, left rear (9 long).....	4601401	1	.17
49-54	PASS.....	CLIP (at end of rod).....	4576655	A.R. (10.565)	
49-54	PASS.....	CLIP, front and rear (at center of rod).....	4596210	A.R. (10.565)	

**\*INSTRUCTIONS FOR INSTALLING UNIVERSAL CONNECTING LINK.**



- Cut universal link at center.
- Install pieces on remote control and lock pins.
- Overlap pieces to length required—take up all slack.
- Mark link at overlap and remove from pins.
- Rivet or weld securely using lap marks as guide.

**10.512 HANDLE, Door Lock Inside**

35	Ser. 1000.....	right front door (at front of door).....	4061443	1	1.38
35	Ser. 1000.....	left front door (at front of door).....	4061444	1	1.38
31-32	PASS. (exc. 31570),				
33-34	PASS. (STD.),				
34-35	PASS. MASTER, Ser. 351200.....	front and rear doors,			
35	1009-19.....	rear doors,			
36-38	PASS.....	front and rear doors.....	4073890	A.R.	1.02



39-48	PASS. (exc. 1942 STA. WAG.)	front and rear doors	4102254*	A.R.	1.02
*NOTE: 1942 closed use escutcheon plate 4146889 with handle.					
49-52	STA. WAG.	front and rear doors	4572930	4	.98
49-52	PASS. (exc. STA. WAG.)				
53-54	PASS.	front and rear, w/bearing plate	3703632	A.R.	1.02
49-54	SDL.	KNOB, back door ( $\frac{1}{2}$ O.D. x $1\frac{1}{2}$ long w/6-32 thread)	4575341	1	.13

**10.513 RETAINER—SPRING, Door Lock Inside Handle**

29-38	PASS.	handle (spring steel snap on type)	4260037	A.R. (10.122)	
39-52	PASS.	handle (spring steel snap on type)	4090144	A.R.	.02
49-52	PASS. (exc. STA. WAG.)				
53-54	PASS.	handle (spring steel snap on type)	4168122	A.R.	.02
37-38	PASS.	SPRING, tension ( $\frac{1}{8}$ O.D. x $1\frac{1}{2}$ long—6 $\frac{1}{2}$ coils)	4073893	A.R.	.02
39	PASS.	SPRING, tension ( $\frac{3}{16}$ O.D. x $1\frac{3}{4}$ long—13 coils)	4089633	A.R.	.02

**10.515 PLATE, Door Lock Inside Handle Escutcheon—(Trim Protector)**

29-48	PASS. (exc. STA. WAG.)	( $2\frac{3}{16}$ dia.)	4125997*	A.R.	.33
49-50	PASS.	( $2\frac{1}{4}$ dia.)	4177710*	A.R.	.33

\*NOTE: 4125997 and 4177710 used to protect damaged trim.

**ESCUTCHEON, Door Lock Inside Handle**

39	PASS.	front and rear doors			
40	1219	rear door	4102823	2	.32
40-48	PASS. (exc. STA. WAG.)	front and rear doors	4146889	A.R.	.38
47-48	STA. WAG.	front and rear doors	4161784	4	.60
49-52	STA. WAG.	front and rear doors	4551579	4	.50
49-52	PASS. (exc. STA. WAG.)	frt. and rear (brg. plate) ( $1\frac{1}{4}$ I.D.)	4565043	A.R.	.05
53-54	PASS.	front and rear, bearing ( $1\frac{1}{16}$ I.D. x $1\frac{1}{16}$ O.D.)	4615270	A.R.	.05

**10.516 SPRING, Door Lock Inside Handle Escutcheon**

37-38	PASS.	front and rear doors	4132476	A.R. (10.666)	
39-40	PASS.				
49-54	PASS. (exc. 491061-2)	front and rear doors	4078002	A.R. (10.666)	

**10.517 WASHER, Door Lock Inside Handle**

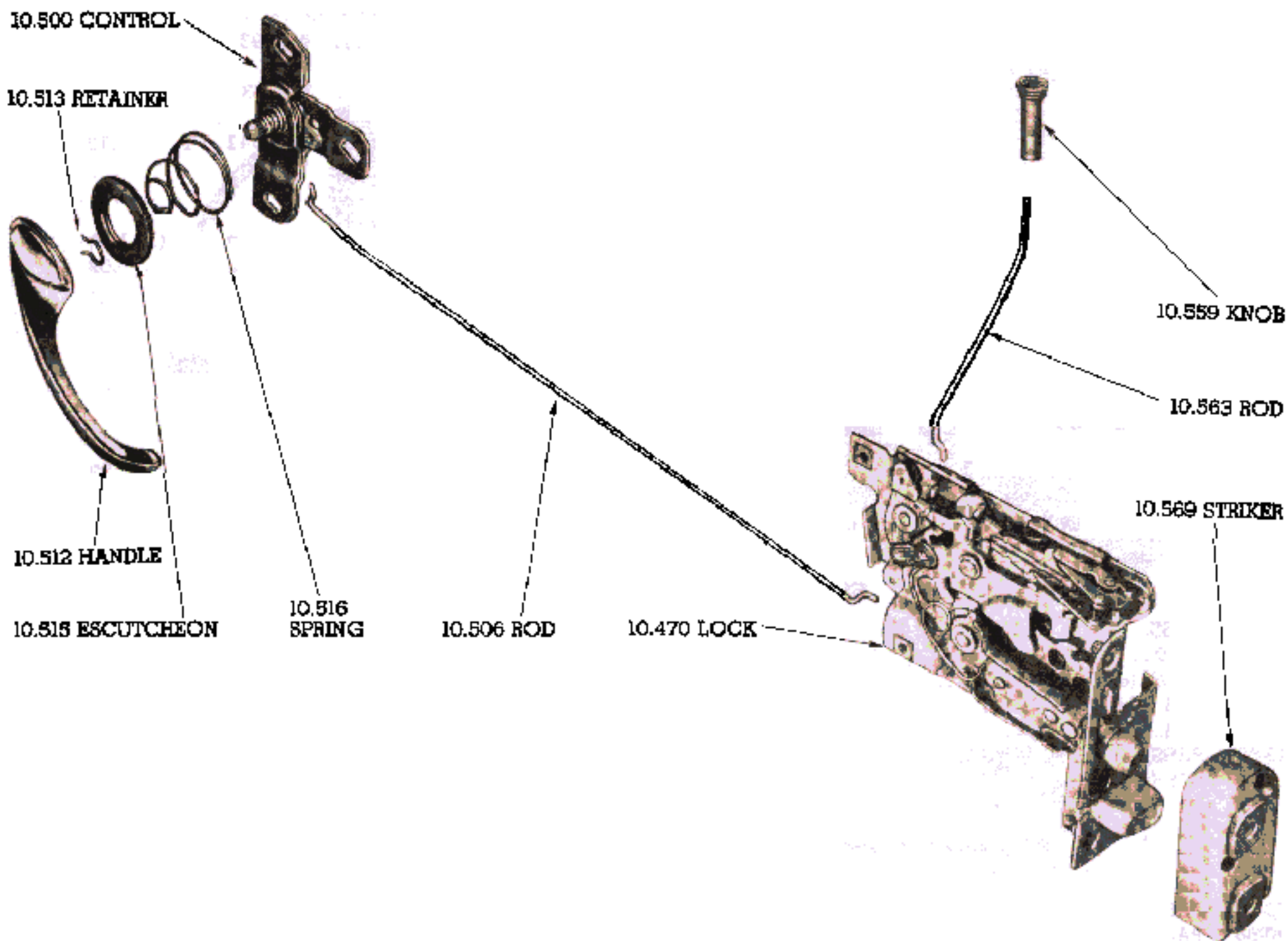
40-54	PASS. (exc. STA. WAG.)	filler, rubber ( $\frac{1}{8}$ I.D. x $1\frac{1}{16}$ O.D. x $\frac{3}{8}$ thick)	3686114	A.R.	.08
46-48	STA. WAG.				

**10.527 HANDLE, Door Outside Locking (less cylinder)**

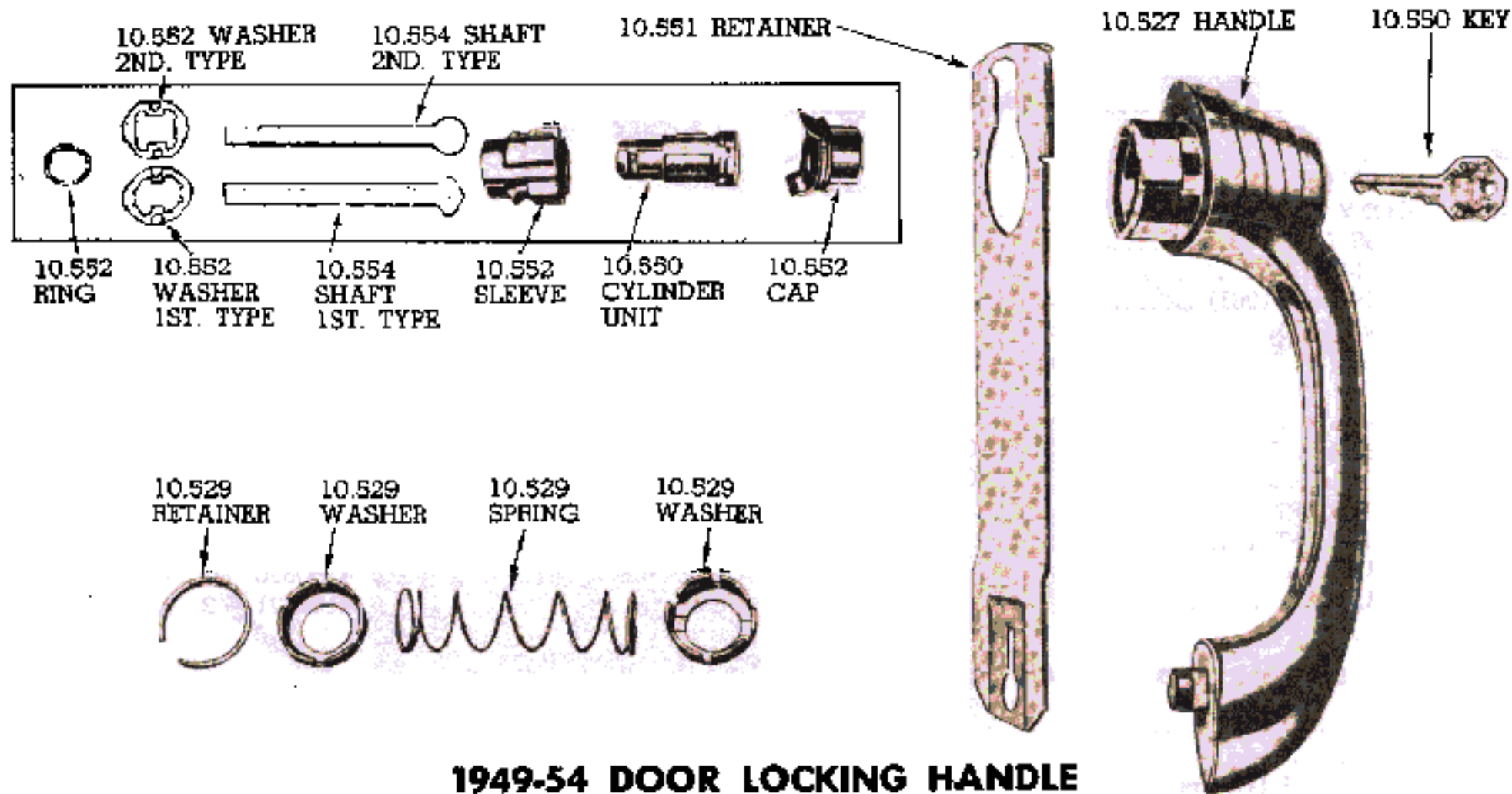
36	PASS.	right or left front	4068702	2	3.88
37-40	PASS. (exc. CONV.)	right or left front	4098734	2	3.92
40	CONV.	right or left front	4102266	2	3.88
49-52	PASS. (exc. 1061)	right, front door,			
49-52	1062-69-1269	right, rear door	4168322	A.R.	2.68
49-52	PASS. (exc. 1061)	left, front door,			
49-52	1062-69-1269	left, rear door	4168323	A.R.	2.68
49-54	SDL.	back door	4168324	1	2.68
49	1061	right, front door—right and left rear door	4168381	3	3.88
49	1061	left, front door	4168382	1	3.88
53-54	PASS. (exc. CONV., SPT. CPE., STA. WAG.)	right, front and rear	4150568	A.R.	2.77
53-54	PASS. (exc. CONV., SPT. CPE., STA. WAG.)	left, front and rear	4150569	A.R.	2.77
53-54	CONV., SPT. CPE.	right	4150572	1	2.77
53-54	CONV., SPT. CPE.	left	4150573	1	2.77
53-54	STA. WAG.	right, front and rear	4150570	2	2.77
53-54	STA. WAG.	left, front and rear	4150571	2	2.77

**10.529 PARTS, Door Handle Push Button**

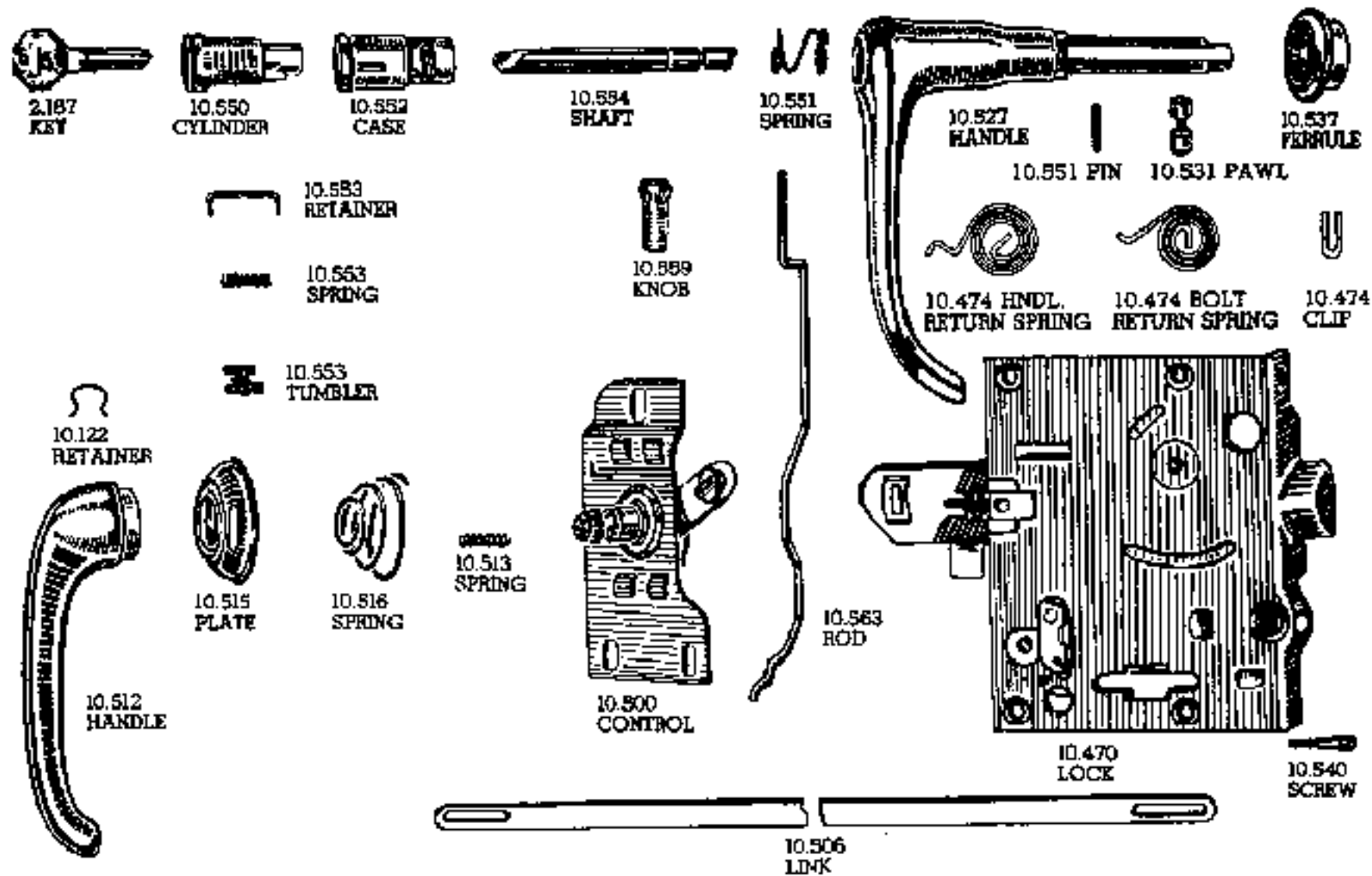
49-54	PASS.	WASHER, front door handle,			
49-54	SDL.	back door handle—outer spring seat	4168349	2	.12
49	4-DR. PASS. (1st type)	WASHER, rear door handle—outer spring seat	4168350*	2	.12



**1949-53 DOOR LOCK MECHANISM**



**1949-54 DOOR LOCKING HANDLE**



## DOOR LOCK MECHANISM

49-54	4-DR. PASS. (2nd type)	WASHER, rear door handle—outer spring seat	4173132*	2	.13
49-54	PASS.	WASHER, push button spring stop—front and rear doors	4173130	4	.07
49-54	PASS.	RETAINER, push button spring—front and rear door handles	4168353	4	.06
49-54	PASS.	SPRING, push button—front, rear and back door handles	4173131	4	.10
49-54	PASS.	RING, push button—front and rear door handles	4168356	4	.12
49-54	4-DR. PASS.	BUTTON, push—rear door handles	4151760	2	.74

\*NOTE: 1st type parts must be used with shaft having spade shaped head. 2nd type parts are used with shaft having round head.

### 10.531 PAWL, Door Outside Locking Handle

34	PASS. (exc. SDL)	square type	4042577	1	.06
34-36	PASS.	round type (.561 long)	4047332	1	.06
37-40	PASS.	round type (.575 long)	4082053	1	.07

### 10.534 HANDLE, Door Outside (plain)

35	1009-19	left and right rear,			
36	PASS.	left front and left or right rear, back door,	4039814	A.R.	2.68
37-39	PASS.	left front, left and right rear,			
40	SDL	back door,			
40	PASS. (exc. CONV.)	left front, left and right rear	4102258	A.R.	2.68
40	CONV.	left door,			
41	SDL	back door	4102259	1	2.68
41-48	PASS. (exc. CONV., STA. WAG.)	left and right, front and rear	4125220	A.R.	3.02
42-48	SDL	back door	4125378	1	2.98
41-46	CONV.	left and right doors	4125377	2	2.98
47-48	1069	rear door	4161125	2	2.98
47-48	CONV.	left and right doors	4161124	2	2.98
46-48	STA. WAG.	front and rear doors	3682024	4	2.22
49-51	1008-1208	right, rear door (less button)	4168327	1	2.68
49-51	1008-1208	left, rear door (less button)	4168328	1	2.68

**10.536 ESCUTCHEON—SHIELD, Door Outside Handle**

47-48	PASS. (exc. STA. WAG.)	right, front and rear door (stamped 17)	4147641*	1	.55
47-48	PASS. (exc. STA. WAG.)	left, front and rear door (stamped 18)	4147642*	1	.55
47-48	1069	right, rear door (stamped 42)	4161126	1	.67
47-48	1069	left, rear door (stamped 43)	4161127	1	.67
53-54	PASS.	SHIELD, unit	986886	1	2.95

\*NOTE: On 1069 models, use on front door only.

**10.537 FERRULE, Door Outside Handle**

40-48	SDL	back door, less grommet ( $\frac{3}{4}$ I.D. x $1\frac{1}{16}$ O.D. x $\frac{5}{8}$ max. height)	4088134	1	.25
29-48	PASS. (exc. STA. WAG.)	w/grommet outside ( $\frac{3}{4}$ I.D. x $1\frac{1}{16}$ O.D. x $\frac{3}{4}$ long)	4125630	A.R.	.28
46-48	STA. WAG.		4149911	4	.06
46-48	PASS. (exc. STA. WAG.)	SLEEVE ( $\frac{3}{4}$ I.D. x $\frac{3}{8}$ O.D. x $\frac{15}{16}$ high)	4114570		.25

Not required in this group. See group 12.247.

**10.538 GROMMET—GASKET, Door Outside Handle Ferrule**

38-41	PASS.	GROMMET, side door,			
41-48	SDL	back door ( $\frac{3}{4}$ I.D. x $1\frac{1}{16}$ O.D. x $\frac{15}{32}$ high)	4082057	A.R.	.13
49-52	PASS. (exc. 1061)	GASKET UNIT, all doors,			
53-54	SDL	back door	3692246*	A.R.	.12
53-54	PASS.	GASKET UNIT, front and rear	3704007*	A.R.	.12

\*NOTE: Contains front and rear gaskets for one handle.

**10.540 SCREW, Door Outside Handle Retaining**

29-31	PASS.	( $\frac{1}{4}$ -28 x $1\frac{1}{2}$ clutch fillister head, w/shoulder—chrome)	3654594	A.R.	.06
32-39	SDL and OPEN		4556055	A.R.	.06
32-48	PASS.	(No. 8-32 x $\frac{3}{4}$ headless slotted)			

**10.546 WASHER, Door Outside Handle Retaining Screw**

29-31	PASS.				
32-33	SDL				
32-35	OPEN	( $\frac{3}{16}$ I.D. x $\frac{5}{8}$ O.D. x $\frac{1}{16}$ —nickel plated)	4240198	A.R.	.03

**10.548 LOCK ASSEMBLY, Door Safety (w/cylinder and keys)**

41-48	PASS.	right, front	1393155	1	1.97
41-48	PASS.	left, front	1393156	1	1.97
40	SDL	w/two keys (back)	4102267	1	2.58
41-48	SDL	w/two keys (back)	4131756	1	2.92

**10.550 CYLINDER, Door Lock Outside Locking Handle**

34	SDL				
35-40	PASS.	less tumblers and keys	601263	1	.82
35-54	PASS.	KEY, blank (octagon head)	3694624	A.R. (2.187)	
49-50	PASS.	UNIT, front doors,			
49-50	SDL	back door (less tumblers and keys)	3693969†	A.R.	1.23
51-54	PASS.	UNIT, front doors,			
51-54	SDL	back door (less tumbler and keys)	3697875*	1	1.31

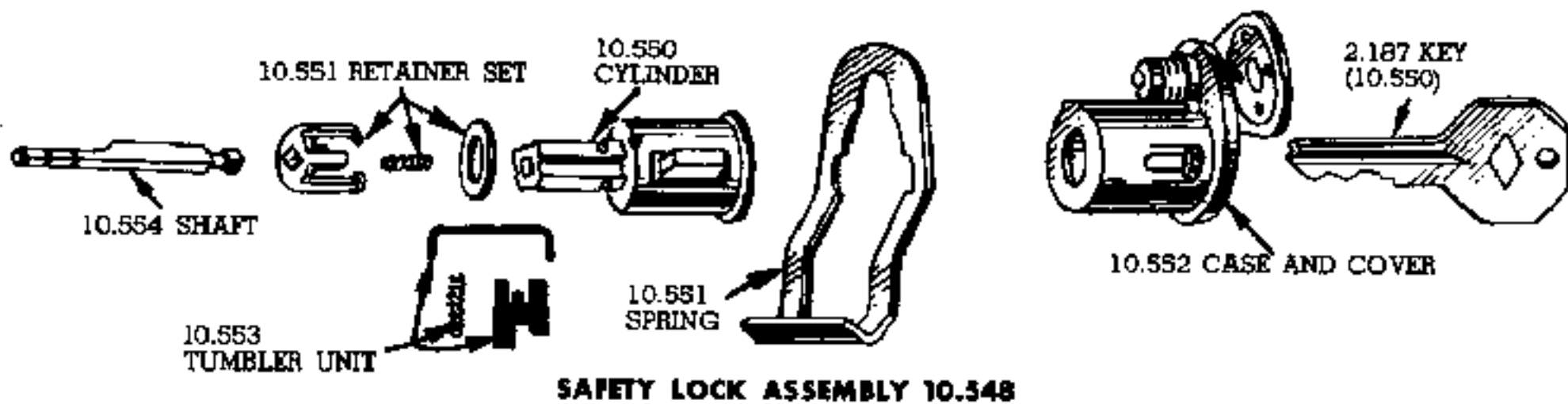
†NOTE: Unit 3693969 consists of one 7001099 shaft, one 7001043 washer, one 4168356 ring, one 4584716 ret. ring and one cylinder. When using on SDL back door it will be necessary to use shaft 7001048 Group 10.554 in place of 7001099.

\*NOTE: Unit 3697875 consists of one cylinder, shaft, washer, lock ring, retainer, button ring. When using on SDL it will be necessary to use 7003042 shaft (10.554).

**CYLINDER, Door Safety Lock, less Tumblers and Keys**

41-48	PASS.	right	1394993	1	.65
41-48	PASS.	left	1394992	1	.65





## DOOR SAFETY LOCK PARTS

### 10.551 SPRING—PIN—RETAINER, Door Outside Lock Handle

34-40	PASS. (exc. SDL)	SPRING, tension ( $\frac{3}{8}$ O.D. x $\frac{5}{8}$ long—3 coils)	4043224	1	.03
34-40	PASS.	PIN	4045949	1	.01
49-52	PASS. (exc. 1061)	RETAINER, right, front door,			
49-52	1062-69-1269	right, rear door	4561579	1	.33
49-52	PASS. (exc. 1061)	RETAINER, left, front door,			
49-52	1062-69-1269	left rear door,			
49-54	SDL	back door ( $1\frac{3}{16}$ x $7\frac{1}{2}$ long)	4561580	1	.33
49-51	1008-1208	RETAINER, right rear door	4563235	1	.33
49-51	1008-1208	RETAINER, left rear door	4563236	1	.33
53-54	PASS. (exc. CONV., SPT. CPE.)	RETAINER, right, front and rear ( $2\frac{1}{16}$ x $7\frac{5}{8}$ long)	4601481	A.R.	.33
53-54	PASS. (exc. CONV., SPT. CPE.)	RETAINER, left, front and rear ( $2\frac{1}{16}$ x $7\frac{5}{8}$ long)	4601482	A.R.	.33
53-54	CONV., SPT. CPE.	RETAINER, right (has one $\frac{3}{16}$ hole)	4601978	A.R.	.35
53-54	CONV., SPT. CPE.	RETAINER, left (has two $\frac{3}{16}$ holes)	4601976	A.R.	.35
53-54	CONV., SPT. CPE.	COVER, snap on ( $2\frac{1}{16}$ O.L.)	4603740	2	.06

### SPRING—RETAINER—SPACER—SCREW, Door Safety Lock

41	PASS.	SPRING, retainer	4116527	1	.07
42-48	PASS. (exc. STA. WAG.)	SPRING, retainer	4131755	1	.06
40-48	SDL	RETAINER (back door)	4148928	1	.06
41-48	PASS. (exc. STA. WAG.)	RETAINER, w/clip, washer, and spring	1394715	1	.25
47-48	STA. WAG.	SPACER	4162857	2	.05
47-48	STA. WAG.	SCREW	3687995	2 (16.270)	
47-48	STA. WAG.	TEE NUT	125602	2 (8.925)	

### 10.552 SLEEVE—CAP—WASHER—RING, Door Outside Handle Push Button and Lock Cylinder

49	PASS.	SLEEVE, front doors,			
49	SDL	back door—1st type	7001021†	A.R.	.33
49-50	PASS.	SLEEVE, front doors,			
49-50	SDL	back door—2nd type	7002210†	A.R.	.38
51-54	PASS.	SLEEVE, front doors,			
51-54	SDL	back door	7003043	A.R.	.30
49	PASS.	CAP, front doors,			
49	SDL	back door—1st type	7001022†	A.R.	.38
49-50	PASS.	CAP, front doors,			
49-50	SDL	back door—2nd type	7002226†	A.R.	.38
51-54	PASS.	CAP, front door,			
51-54	SDL	rear door	7003044	A.R.	.38
49	PASS.	WASHER, front doors,			
49	SDL	back door (shaft retaining) 1st type	7001024⊕†	A.R.	.22

⊕NOTE: When replacing 7001024 washer it is necessary to use 4584716—lock ring.

49-54	PASS.	WASHER, front doors,			
49-54	SDL	back door (shaft retaining) 2nd type	7001043*†	A.R.	.22
49-54	PASS.	RING, front doors,			
49-54	SDL	back door (shaft ret. washer lock)	4584716†	A.R.	.08

\*NOTE: When replacing 7001043 washer, it will be necessary to use 4584716 lock ring.  
†NOTE: 1st type parts must be used with shaft having spade shape head. 2nd type parts are used with shaft having round head.

**CASE, Door Lock Cylinder, w/Spring**

34	351271,				
35-40	PASS.		601264	1	.33

**CASE, Door Safety Lock, w/Dust Cover**

41-48	PASS.	right	1394712	1	.65
41-48	PASS.	left	1394713	1	.65

**10.553 TUMBLER UNIT, Door Lock Cylinder**

34	351271,				
35-54	PASS.	copper (unit contains 72 tumblers)	601256	A.R.	.70
34	351271,				
35-54	PASS.	nickel (unit contains 72 tumblers)	601257	A.R.	.70
34	351271,				
35-54	PASS.	black (unit contains 72 tumblers)	601258	A.R.	.70
34	351271,				
35-54	PASS.	yellow (unit contains 72 tumblers)	601259	A.R.	.70

**SPRING UNIT AND RETAINER UNIT, Lock Tumbler**

34	351271,				
35-54	PASS.	SPRING UNIT (unit contains 144 springs)	601260	A.R.	.70
34	351271,				
35-54	PASS.	RETAINER UNIT (unit contains 12 retainers)	601261	A.R.	.33

**10.554 SHAFT, Door Locking Handle Lock**

36	PASS.	left or right door (3 <sup>17</sup> / <sub>16</sub> long)	602035	2	.38
37-40	PASS. (exc. CONV.)	left or right door (3 <sup>17</sup> / <sub>16</sub> long)	603166	2	.38
40	CONV.	left or right door (4 <sup>3</sup> / <sub>16</sub> long)	604388	2	.43
41-48	PASS. (exc. STA. WAG.)	left or right door safety lock (2 <sup>15</sup> / <sub>16</sub> universal length)	605325	2	.33
46-48	STA. WAG.	back door (with spade shape head)	7001058	1	.22
49	SDL. (1st type)	front and rear doors (with spade shape head)	7001075	4	.22
49	PASS. (1st type)	back door (with round head)	7001048	1	.22
49-50	SDL. (2nd type)	front and rear doors (with round head)	7003040	4	.22
49-54	PASS. (2nd type)	back door (with round head)	7003042	1	.22
51-54	SDL.				

**10.556 LEVER—BOLT—WASHER, Door Inside Locking Control**

41-54	4-DOOR,				
49-54	STA. WAG.	LEVER, right and left rear door	4113807	2	.06
51-54	4-DR. PASS.	BOLT, lever (1/4—20 x 5/8 w/shoulder)	4550519	2	.05
41-46	4-DOOR.	WASHER, spring (3/8 I.D. x 3/8 O.D.)	4111310	2 (14.155)	

**10.558 KNOB, Door Inside Locking Rod**

33-35	PASS. (exc. 351000)		4033541	A.R.	.18
37-48	PASS.,				
49	Ser. 1000 (exc. CONV.),				
50-51	STA. WAG.	front and rear doors	4568395	A.R.	.13
49	Ser. 1200	front and rear doors	4568396	A.R.	.13
49-51	CONV., BEL AIR	(chrome)	4633370	2	.60
50	PASS. (exc. CONV., B-A, STA. WAG.),				
53	Ser. 1200	front and rear doors	4571049	A.R.	.13
51	PASS. (exc. CONV., B-A, STA. WAG.)	front and rear doors	4596262	A.R.	.14
51-52	CONV., BEL AIR (2nd type),				
53-54	1011WA-37D-67D-1211-69W-71	(black plastic)	4604766	2	.14

51	CONV., BEL AIR (2nd type)	(red plastic)	4604767	2	.14
51	CONV., BEL AIR (2nd type)	(green plastic)	4604768	2	.14
51	CONV., BEL AIR (2nd type)	(blue plastic)	4604769	2	.14
52	Ser. 1000 (exc. STA. WAG.)	front and rear doors (green)	4611910	A.R.	.14
52	Ser. 1000 (exc. STA. WAG.)	front and rear doors (maroon)	4611915	A.R.	.14
52	Ser. 1000 (exc. STA. WAG.)	front and rear doors (blue)	4611851	A.R.	.14
52	1007-11-27-69,				
53	1011-27-37-69,				
54	1011W-11WD-69	front and rear doors (grey)	4611913	A.R.	.14
52	Ser. 1200	front and rear doors	4611912	A.R.	.14
52	CONV., B-A, STA. WAG.,				
53	Ser. 1000 (exc. 1062),				
54	1011W-62D-62F-69W	(brown)	4612705	2	.14
52	BEL AIR	(bittersweet)	4612584	2	.14
53	Ser. 1000 (exc. STA. WAG.)	front and rear doors (blue)	4624117	A.R.	.14
53	Ser. 1000, 1262F (exc. 1062)	front and rear doors (green)	4624121	A.R.	.14
53	1011-27-69	front and rear doors (maroon)	4625656	A.R.	.14
53	CONV.,				
54	1011W-11WD-69-1262F	(red)	4611917	2	.13
53	1037D-67D	(yellow)	4622312	2	.14
53	1062	(beige)	4622314	2	.14
54	Ser. 1000	front and rear doors (green)	4641918	4	.15
54	Ser. 1000 (exc. STA. WAG.)	front and rear doors (blue)	4643171	4	.15
54	1011WD-37D-67D-69WD	front and rear doors (turquoise)	4641914	4	.15
54	1011WD-37D-67D-69WD	front and rear doors (tan)	4641915	4	.15
54	CONV., SPT. CPE	front and rear doors (red)	4641913	2	.15

#### DEVICE, Door Inside Locking

35-36	PASS.	amber tenite	4061423	A.R.	.57
-------	-------	--------------	---------	------	-----

#### 10.563 ROD, Door Inside Lock to Knob

40	1011-19-1211-19-71-1511-19-71	left front, right rear	4102248	1	.13
40	1011-19-1211-19-71-1511-19-71	right front, left rear	4102249	1	.13
41-48	1011-19-67-69-1211-19-71	right front	4114133	1	.13
41-48	1011-19-67-69-1211-19-71	left front	4114134	1	.13
41-48	CPES	right	4114984	1	.13
41-48	CPES	left	4114985	1	.13
42-48	1007	right	4125499	2	.13
42-48	1007	left	4125500	2	.13
41-48	1019-1219	right and left rear door (knob to lever)	4114944	2	.13
41-48	1069	right and left rear door (knob to lever)	4115068	2	.13
49	1061	right int. dr. ( $\frac{1}{8}$ O.D. x 6 dev. length)	4566912	1	.13
49	1061	left int. dr. ( $\frac{1}{8}$ O.D. x 6 dev. length)	4566913	1	.13
49	1061	right rear door ( $\frac{1}{8}$ O.D. x $5\frac{1}{8}$ dev. length)	4566807	1	.13
49	1061	left rear door ( $\frac{1}{8}$ O.D. x $5\frac{1}{8}$ dev. length)	4566808	1	.13
49-52	1008-62-69-1208-69	right rear door ( $\frac{1}{8}$ O.D. x $5\frac{3}{8}$ dev. length)	4563088	1	.13
49-52	1008-62-69-1208-69	left rear door ( $\frac{1}{8}$ O.D. x $5\frac{3}{8}$ dev. length)	4563089	1	.13
49-52	PASS. (exc. STA. WAG.)	right int. dr. ( $\frac{1}{8}$ O.D. x $5\frac{3}{8}$ dev. length)	4560812	1	.13
49-52	PASS. (exc. STA. WAG.)	left int. dr. ( $\frac{1}{8}$ O.D. x $5\frac{3}{8}$ dev. length)	4560513	1	.13
49-52	1062	right front ( $\frac{1}{8}$ O.D. x $6\frac{1}{2}$ developed length)	4563262	1	.13
49-52	1062	left front ( $\frac{1}{8}$ O.D. x $6\frac{1}{2}$ developed length)	4563263	1	.13
53-54	1011-27-1211-27-27B	right ( $5\frac{1}{8}$ O.L.)	4595346	1	.13
53-54	1011-27-1211-27-27B	left ( $5\frac{1}{8}$ O.L.)	4595347	1	.13
53-54	CONV., SPT. CPE	right ( $7\frac{1}{2}$ O.L.)	4603361	1	.13
53-54	CONV., SPT. CPE	left ( $7\frac{1}{2}$ O.L.)	4603362	1	.13
53-54	1069-1269 69W-71	right, front (5 O.L.)	4598664	1	.13
53-54	1069-1269 69W-71	left, front (5 O.L.)	4598665	1	.13
53-54	STA. WAG.	right, front ( $5\frac{1}{8}$ O.L.)	4603603	1	.13
53-54	STA. WAG.	left, front ( $5\frac{1}{8}$ O.L.)	4603604	1	.13
53-54	1069-1269-89W	right, rear (4 O.L.)	4598507	1	.13
53-54	1069-1269-69W	left, rear (4 O.L.)	4598508	1	.13
53-54	STA. WAG.	right or left, rear ( $3\frac{3}{4}$ O.L.)	4598506	2	.13

#### ROD, Rear Door Lock to Control Lever

41-48	1019-1219	left ( $18\frac{3}{4}$ long)	4114990	1	.13
49-52	4-DR. PASS.	right and left ( $24\frac{1}{8}$ long)	4562067	2	.17

53-54	1069-1269-69W.....	right or left (23 $\frac{3}{16}$ long).....	4598263	2	.17
53-54	STA. WAG.....	right (22 $\frac{7}{8}$ long).....	4598242	1	.17
53-54	STA. WAG.....	left (22 $\frac{7}{8}$ long).....	4598243	1	.17

### 10.565 CLIP—WASHER, Door Inside Locking Rod

41-52	4-DR. PASS.,				
53-54	PASS. (exc. SDL).....	rear locking connecting rod (at center)...	4596210	2	.03
49-54	4-DR. PASS.....	rear locking rod (at end), rear locking connecting rod (at ends).....	4576655	4	.03
41-48	PASS. (exc. STA. WAG.).....	retaining, right.....	4124417	2	.03
41-48	PASS. (exc. STA. WAG.).....	retaining, left.....	4124418	2	.03
49-51	CONV., BEL AIR.....	locking rod knob washer ( $\frac{11}{16}$ x $\frac{11}{16}$ O.L. w/hole).....	4162172	2	.06
50-54	PASS.....	frt. door locking control rod.....	4592716	2	.03
49-51	CONV., BEL AIR.....	WASHER, rubber—locking rod knob ( $\frac{45}{64}$ wide x $\frac{15}{16}$ O.L. w/hole).....	4162171	2	.12
53-54	4-DOOR.....	WASHER, cup (w/ $\frac{3}{16}$ dia. hole).....	4622521	2	.05

### 10.569 STRIKER, Door Lock

37-38	PASS.....	(base $1\frac{3}{16}$ x $1\frac{3}{8}$ —w/teeth).....	4091150	A.R.	.75
39-40	PASS.....	side door,			
41-42	SDL.....	back door (base $1\frac{1}{16}$ x $1\frac{3}{4}$ , w/plunger)...	4131103	A.R.	1.00
41	PASS.....	(base $1\frac{3}{16}$ x $1\frac{3}{4}$ , w/plunger and spring)...	4131875	4	1.00
49-52	PASS.....	right front and rear doors.....	4604440	A.R.	1.22
49-52	SDL.....	back door,			
49-52	PASS.....	left front and rear doors.....	4604441	A.R.	1.22
53-54	PASS.....	right, front and rear.....	4604438	A.R.	1.23
53-54	PASS.....	left, front and rear,			
53-54	SDL.....	back door.....	4604439	A.R.	1.23

### 10.570 SCREW, Door Lock Striker to Pillar

37-38	PASS.....	inner ( $\frac{1}{4}$ —28 x $\frac{3}{4}$ oval head).....	4074901	A.R.	.02
40-48	PASS.....	( $\frac{1}{4}$ —20 x 1 long).....	4132281	A.R.	.05
49-54	PASS.....	( $\frac{5}{16}$ —24 x $\frac{1}{8}$ long) (used w/spacers 4604339 and 4604340).....	4587325	A.R.	.07

### SPRING, Door Lock Striker

42-48	PASS.....	(front, rear and back).....	4131841	A.R.	.03
-------	-----------	-----------------------------	---------	------	-----

### 10.571 SPACER—PLATE, Door Lock Striker

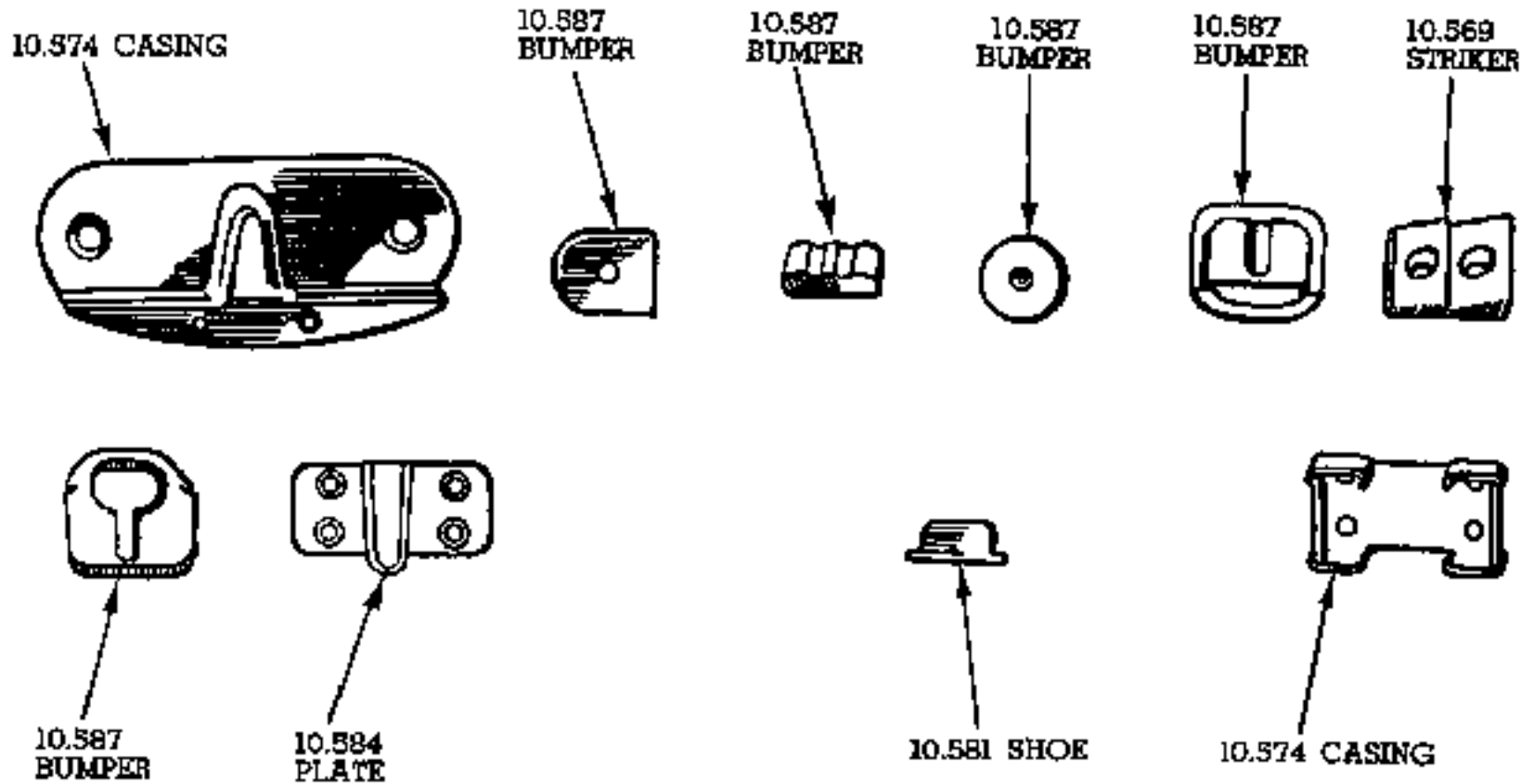
40-48	PASS.....		4142448	4	.58
49	CONV.,				
50-52	PASS.....	right.....	4604339	1	.97
49	CONV.,				
50-52	PASS.....	left.....	4604340	1	.97
53-54	PASS.....	right.....	4604341	A.R.	.97
53-54	PASS.....	left.....	4604342	A.R.	.97
49-52	PASS. (exc. 4-DR.).....	PLATE, right anchor—front door,			
49-52	4-DOOR.....	rear door.....	4561315	1	.87
49-52	PASS. (exc. 4-DR.).....	PLATE, left anchor—front door,			
49-52	4-DOOR.....	rear door,			
49-52	SDL.....	back door.....	4561316	1	.87
49-52	4-DOOR,				
53-54	PASS. (exc. CONV., SPT. CPE).....	PLATE, anchor—front doors.....	4561311	2	.28
49-52	4-DOOR.....	PLATE, right adjusting—front door.....	4561313	1	.40
49-52	4-DOOR.....	PLATE, left adjusting—front door.....	4561314	1	.40
53-54	PASS. (exc. CONV., SPT. CPE).....	PLATE, right, adjusting—front and rear ( $1\frac{3}{8}$ x $\frac{4}{16}$ —notched).....	4595071	A.R.	.32
53-54	PASS. (exc. CONV., SPT. CPE).....	PLATE, left, adjusting—front and rear ( $1\frac{3}{8}$ x $\frac{4}{16}$ ).....	4595072	A.R.	.32



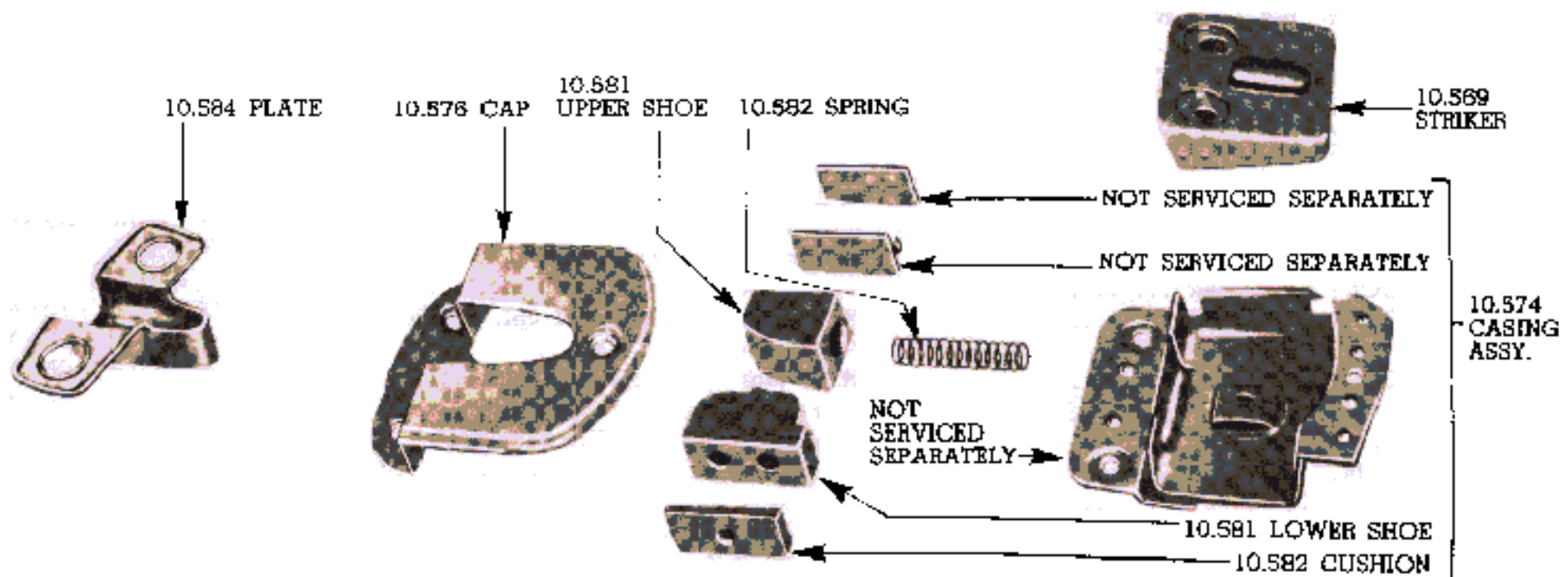
53-54	CONV., SPT. CPE.....	PLATE, right, rear pillar anchor.....	4593946	1	.91
53-54	CONV., SPT. CPE.....	PLATE, left, rear pillar anchor,			
53-54	SDL.....	back, body straight anchor.....	4593947	1	.91

**10.574 CASING, Door Dovetail w/Bumper**

40	PASS.....	left rear door,			
40-48	PASS. (exc. STA. WAG.).....	left front door,			
40-48	SDL.....	back door, w/stationary shoe and cushion	4111659	A.R.	.58
40	PASS.....	right rear door,			
40-48	PASS. (exc. STA. WAG.).....	right front, w/stationary shoe and cushion	4111660	A.R.	.58
41-48	4-DOOR (exc. STA. WAG.).....	right rear, w/stationary shoe and cushion	4114120	A.R.	.58
41-48	4-DOOR (exc. STA. WAG.).....	left rear, w/stationary shoe and cushion..	4114121	A.R.	.60
46-48	STA. WAG.....	front and rear doors (1 5/8 wide x 3/4 thick x 3 1/2 long).....	4162099	4	1.17



**1929-39 DOOR DOVETAIL AND STRIKER PARTS**



**1940-48 DOOR DOVETAIL PARTS**

<b>10.576 CAP, Door Dovetail Bumper Casing</b>					
37-39	PASS.	front and rear (2 $\frac{3}{8}$ x 3 $\frac{1}{2}$ )	4091155	A.R.	.28
40	PASS.	front and rear,			
41-48	SDL.	back doors,			
41-48	PASS. (exc. STA. WAG.)	front doors (2 $\frac{1}{8}$ x 3 $\frac{1}{2}$ )	4099828	2	.23
41-48	4-DOOR.	rear door (2 $\frac{3}{8}$ x 2 $\frac{1}{2}$ )	4099829	2	.23
<b>10.578 PACKING, Door Dovetail Bumper</b>					
32-35	OPEN.	front door (rubber)	3681079	A.R.	.08
<b>10.581 SHOE, Door Dovetail Bumper</b>					
32-35	OPEN.	front door	4220099	A.R.	.08
37-39	PASS.	front door	4075334	A.R.	.13
40-48	PASS. (exc. STA. WAG.)	upper front, rear and back door	4099832	A.R.	.25
40-48	PASS. (exc. STA. WAG.)	lower front, rear and back door	4105845	A.R.	.25
<b>10.582 CUSHION—SPRING, Door Dovetail Bumper Casing Shoe</b>					
37-39	PASS.		4075336	A.R.	.08
40-48	PASS. (exc. STA. WAG.)	lower front, rear and back door	4099838	A.R.	.07
37-39	PASS.	SPRING	4091154	A.R.	.08
40-48	PASS. (exc. STA. WAG.)	SPRING, upper front, rear and back door	4099836	A.R.	.07
<b>10.584 PLATE, Door Dovetail Bumper Wedge</b>					
29-40	PASS. (exc. STA. WAG.)	rear doors,			
37-48	PASS. (exc. STA. WAG.)	front doors,			
37-48	SDL.	back doors,			
48	STA. WAG.	front and rear doors	2038284	A.R.	.40
41-48	4-DOOR.	right rear doors	4113905	1	.40
41-48	4-DOOR.	left rear doors	4113906	1	.40
46-47	STA. WAG.	front and rear doors	3607344	4 (16.420)	
<b>10.587 BUMPER, Door Side</b>					
32-33	PASS.	(1 diameter x $\frac{1}{4}$ thick)	3681070	A.R.	.08
33-36	PASS. (exc. 33570, 361267-71)	front and rear,			
37	SDL.	back door (1 $\frac{1}{8}$ x 1 $\frac{1}{2}$ x $\frac{5}{8}$ thick)	4038369	A.R.	.28
32-40	PASS. (exc. Ser. 351200)	on body (1 $\frac{3}{8}$ dia. x $\frac{3}{8}$ thick)	4063520	2	.08
37-49	CONV.	in lock pillar (1 $\frac{25}{32}$ x 1 $\frac{25}{32}$ x $\frac{1}{2}$ max. thickness)	4076899	A.R.	.20
37-48	PASS. (exc. CONV., STA. WAG.),				
53	4-DOOR (exc. STA. WAG.)	in lock pillar ( $\frac{1}{2}$ diameter x 1 $\frac{1}{8}$ high)	4078173	A.R.	.06
41-52	PASS. (exc. B-A, STA. WAG.),				
49-52	1062.	body hinge pillar ( $\frac{3}{4}$ dia. plug type),			
53	PASS. (exc. CONV., SPT. CPE.)	front and rear doors	3684645	A.R.	(8.024)
41-54	PASS. (exc. CONV., SPT. CPE.)	door hinge pillar	4115282	4	.07
49	1008-62-69-1208-69	frt. dr. lock pillar lower body side (Ident.			
50-52	1062.	No. 4974) (double base)	4564974	2	.10
49-52	PASS. (exc. CONV., STA. WAG., SDL.)	frt. dr. lock pillar upper body side,			
49-52	1008-69-1208-69	rear dr. lock pillar lower body side,			
49-52	1062.	rear dr. lock pillar upr. body side,			
53	4-DOOR.	rear dr. lock pillar lwr. door side	4565415	2	.09
49-52	1062.	frt. and rear dr. lock pillar upr. and lwr. body side,			
53-54	4-DOOR.	frt. dr. lock pillar upper body side	4563029	A.R.	.11
49-54	SDL.	back door lock pillar body side	4564976	4	.18
49	1061.	frt. and rear dr. lock pillar body side	4568539	4	.12
49-54	2-DOOR.	lock pillar lower body side	4565786	2	.10
50-52	1008-69-1208-69	frt. dr. lock pillar lower body side (Ident.			
		No. 9761)	4569761	2	.10
49-52	CONV., B-A.	door body lock pillar side	4076898	2	.20
53-54	2-DOOR (exc. CONV., SPT. CPE., SDL.)	door lock pillar upper body side,			
53-54	STA. WAG.	rear door lock pillar upper body side	4573914	2	.07
53-54	4-DOOR.	front door lock pillar lower body side	4598924	2	.08
53-54	1069-1269-69W	front door on center pillar	4571913	2	.07

**10.602 CASING ASSEMBLY, Door Check Link Held-Open**

42-48	PASS. (exc. STA. WAG.)	front door	4137829	2	1.35
46-48	SDL	back door	4147912	1	.75

**10.606 LINK, Door Check**

37-39	PASS.	front and rear, right and left	4097396	4	.58
40	PASS.	front door, right and left	4102271	2	.58
40	4-DOOR	rear, right and left,			
41	PASS.	front, right and left	4099842	A.R.	.26
42-48	PASS. (exc. STA. WAG.)	front door, right and left	4132474	2	.58
41-48	4-DOOR (exc. STA. WAG.)	rear door, right and left	4114410	2	.28
40-42	SDL	back door	4105741	1	.28
46-48	SDL	back door	4147913	1	.58
49-52	PASS.	front doors	4600309	2	.52
49-52	1008-52-69-1208-69	rear doors	4586827	2	.40
49	1061	rear doors	4586686	2	.47
49-54	SDL	back doors	4563595	1	5.07
52	TAXI	rear doors	4612702	2	.40
53-54	4-DOOR	rear doors	4600310	2	.52
53-54	TAXI	rear doors	4609715	2	.52

**CHECK ASSY., Rear Side Door**

46-48	STA. WAG.	rear	4162631	2	.52
46-48	STA. WAG.	front	3847284	2	.52

**10.608 SUPPORT-REINFORCEMENT, Door Check Link**

41	PASS.	front door,			
40-48	PASS. (exc. STA. WAG.)	rear door ( $\frac{3}{8}$ —24 x $1\frac{1}{8}$ lgth. ctr. hole)	4099843	2	.35
42-48	PASS. (exc. STA. WAG.)	front door	4132087	2	.35
42	SDL	back door	4132290	1	.40
46-48	SDL	back door	4147911	1	.35
46	STA. WAG.	rear door (1st type) ( $\frac{3}{8}$ O.D. x $1\frac{1}{8}$ long),			
46-48	STA. WAG.	front door	3847293	2	.58
46-48	STA. WAG.	rear door (2nd type) ( $1\frac{1}{4}$ wide x $2\frac{1}{4}$ long)	4182958	2	.47
49	1061	right, front door (w/rnfct.)	4575305	1	2.03
49	1061	left, front door (w/rnfct.)	4575306	1	2.03
49	1061	rear doors	4566699	2	.52
49-52	PASS. (exc. 1061)	front and rear doors,			
53-54	4-DOOR	rear doors	4561013	A.R.	.75
49-51	PASS. (exc. CONV., B-A, STA. WAG.)	REINFORCEMENT, front door	4180727	2	.70

**10.609 CLIP, Door Check Link**

40	PASS.	door check link retaining	4102630	A.R.	.13
----	-------	---------------------------	---------	------	-----

**10.613 CUSHION-CLIP, Door Check Link**

30-40	PASS.	front and rear door,			
41-42	SDL	back door,			
42-48	2-DOOR (exc. SDL)	front and rear door ( $\frac{5}{16}$ LD. x $1\frac{3}{16}$ O.D. x $\frac{1}{2}$ )	4110670	A.R.	.13
41-48	PASS. (exc. STA. WAG.)	front and rear door, rubber ( $\frac{3}{4}$ x $\frac{3}{4}$ x 2 w/anchor nut)	4091161	A.R.	.45
46-47	PASS. (exc. STA. WAG.)	CLIP	4146935	2	.02

**10.614 BUMPER, Door Check Link Cushion**

30-40	PASS. (exc. 1930-32 SDL)	rubber ( $1\frac{1}{16}$ O.D. x $\frac{3}{16}$ thick)	4082335	A.R.	.13
-------	--------------------------	---	---------	------	-----

**10.621 NUT, Door Check Link**

37-40	PASS.	link cushion retainer ( $\frac{5}{8}$ —18 x $1\frac{1}{4}$ dia.)	4092224	A.R.	.06
42-48	PASS. (exc. STA. WAG.)	front door link support	4132600	2	.02

**10.624 SCREW, Door Check Link**

40	1019-1219	front and rear doors,			
41	PASS.	front and rear doors,			
42-46	SDL	back door,			
42-48	1019-69-1219	rear door, to supt. (1/4" - 20 x 3/4" truss hd.)	4125659	A.R.	.02
42-48	PASS. (exc. STA. WAG.)	to support, front door	4132275	2	.05

**10.627 WASHER, Door Check Link**

37-49	4-DOOR (exc. STA. WAG.)	lock, rear hinge pillar (3/8 I.D. x 1/8 O.D. external tooth)	4074590	2	.03
49-52	PASS.	front and rear (hairpin type),			
53-54	4-DOOR	rear (1 wide x 1 1/4 long—int. tooth)	4582902	A.R.	.07

**10.650 VENTILATOR ASSEMBLY, Front Door**

41-48	PASS. (exc. FLTLN., CONV., STA. WAG.)	right, less regulator	4114224	1	11.55
41-48	CONV.	right, less regulator	4114612	1	43.18
41-48	CONV.	left, less regulator	4114613	1	43.18
42-48	1007	right, less regulator	4125704	1	12.65
42-48	1007	left, less regulator	4125705	1	12.65
41-48	1069	left, less regulator	4132312	1	12.65
49-51	CONV., BEL AIR (1st type)	right, w/handle and rain deflector	4582118	1	41.00
49-51	CONV., BEL AIR (1st type)	left, w/handle and rain deflector	4582119	1	41.00
49-52	PASS. (exc. FLTLN., CONV., B-A)	right, w/handle (less glass)	4611127	1	9.50
49-52	PASS. (exc. FLTLN., CONV., B-A)	left, w/handle (less glass)	4611128	1	9.50
49-52	FLEETLINE	right, w/handle (less glass)	4612779	1	9.50
49-52	FLEETLINE	left, w/handle (less glass)	4612780	1	9.50
51-52	CONV., BEL AIR (2nd type)	right, w/handle (less glass)	4613252*	1	36.80
51-52	CONV., BEL AIR (2nd type)	left, w/handle (less glass)	4613253*	1	36.80

\*NOTE: 2nd type Vent. Assy. can be identified by angular rubber bumper at upper end of Vent. Frame.

52	STA. WAG.	right, w/handle (less glass)	4614044	1	9.50
53-54	PASS. (exc. CONV., SPT. CPE.)	right (less reg. and glass)	4616518	1	9.72
53-54	PASS. (exc. CONV., SPT. CPE.)	left (less reg. and glass)	4616519	1	9.72
53-54	CONV.	right (less reg. and glass)	4606163	1	36.80
53-54	CONV.	left (less reg. and glass)	4606164	1	36.80
53-54	SPT. CPE.	right (less reg. and glass)	4606165	1	36.80
53-54	SPT. CPE.	left (less reg. and glass)	4606166	1	36.80

**10.652 WEATHERSTRIP, Front Door Ventilator**

40	PASS. (exc. CONV.)	right	4101984	1	1.25
40	PASS. (exc. CONV.)	left	4101985	1	1.25
40	CONV.	right	4101996	1	2.95
40	CONV.	left	4101997	1	2.95
41-48	PASS. (exc. FLTLN., CONV., STA. WAG.)	right	4117557	1	1.25
41-48	PASS. (exc. FLTLN., CONV., STA. WAG.)	left	4117558	1	1.25
41-48	CONV.	right	4118505	1	2.95
41-48	CONV.	left	4118506	1	2.95
41-48	1069	right	4128371	1	1.22
41-48	1069	left	4128372	1	1.22
42-48	1007	right	4134791	1	1.25
42-48	1007	left	4134792	1	1.25
46-48	STA. WAG.	right	4099409	1	1.30
46-48	STA. WAG.	left	4099410	1	1.30
49	PASS. (exc. CONV.)	right	4168194	1	1.42
49	PASS. (exc. CONV.)	left	4168195	1	1.42
49-50	CONV., BEL AIR	right	4169182	1	3.69
49-52	CONV., BEL AIR	left	4180806	1	4.13
50-52	PASS. (exc. CONV., B-A)	right	4151480	1	1.70
50-52	PASS. (exc. CONV., B-A)	left	4151481	1	1.70
51-52	CONV., BEL AIR	right	4180805	1	4.13





53-54	PASS. (exc. CONV., SPT. CPE.)	right (T-87046 mold. on)	4191718	1	1.70
53-54	PASS. (exc. CONV., SPT. CPE.)	left (T-87047 mold. on)	4191719	1	1.70
53-54	CONV., SPT. CPE.	right (T-87052 mold. on)	4191702	1	4.13
53-54	CONV., SPT. CPE.	left (T-87053 mold. on)	4191703	1	4.13
54	CONV., SPT. CPE.	right	4154776	1	4.15
54	CONV., SPT. CPE.	left	4154777	1	4.15

**RETAINER, Front Door Ventilator Weatherstrip**

41-48	PASS. (exc. FLTLN., CONV., STA. WAG.)	right	4150740	1	1.80
41-48	PASS. (exc. FLTLN., CONV., STA. WAG.)	left	4150741	1	1.80
41-48	1069	right	4150744	1	1.80
41-48	1069	left	4150745	1	1.80
42-48	1007	right	4150742	1	1.80
42-48	1007	left	4150743	1	1.80
49-51	STYLELINE (exc. CONV., B-A)	right	4150790	1	1.68

NOTE: See group 10.686 for division channel w/retainer.

**10.655 CHANNEL, Front Door Ventilator Glass (with tee shaft)**

40	PASS. (exc. CONV.)	right, with pivot and lock	4101986	1	4.47
40	PASS. (exc. CONV.)	left, with pivot and lock	4101987	1	4.47
41-48	CONV.	right, with pivot and tee shaft	4118501	1	4.47
41-48	CONV.	left, with pivot and tee shaft	4118502	1	4.47
41-48	PASS. (exc. FLTLN., CONV., STA. WAG.)	right, with bearing cap and tee shaft	4147563	1	4.47
41-48	PASS. (exc. FLTLN., CONV., STA. WAG.)	left, with bearing cap and tee shaft	4147564	1	4.47
41-48	1069	right, with bearing cap, tee shaft and safety lock	4147801	1	4.70
41-48	1069	left, with bearing cap, tee shaft and safety lock	4147802	1	4.70
42-48	1007	right, with bearing cap, tee shaft and safety lock	4147799	1	4.47
42-48	1007	left, with bearing cap, tee shaft and safety lock	4147800	1	4.47
46-48	STA. WAG.	right	4116767	1	6.08
46-48	STA. WAG.	left	4116768	1	6.08
49-52	FLEETLINE	right, w/handle, shaft and brg. stud	4167998	1	5.38
49-52	FLEETLINE	left, w/handle, shaft and brg. stud	4167996	1	5.38
49-52	STYLELINE (exc. CONV., B-A)	right, w/handle, shaft and brg. stud	4167984	1	5.27
49-52	STYLELINE (exc. CONV., B-A)	left, w/handle, shaft and brg. stud	4167985	1	5.27
49-52	CONV., BEL AIR	right, w/handle, shaft and brg. stud	4168055	1	5.92
49-52	CONV., BEL AIR	left, w/handle, shaft and brg. stud	4168056	1	5.92
53-54	PASS. (exc. CONV., SPT. CPE.)	right (ident. No. 06 on shaft)	4191722	1	5.27
53-54	PASS. (exc. CONV., SPT. CPE.)	left (ident. No. 07 on shaft)	4191723	1	5.27
53-54	CONV., SPT. CPE.	right (w/tee shaft, pivot, and safety lock)	4191704	1	5.92
53-54	CONV., SPT. CPE.	left (w/tee shaft, pivot, and safety lock)	4191705	1	5.92
33-54	PASS. (exc. STA. WAG.)	FILLER, channel (.032 thick) (60 ft. roll)	603954	A.R. (10.696)	
33-54	PASS. (exc. STA. WAG.)	FILLER, channel (.047 thick) (40 ft. roll)	603955	A.R. (10.696)	

**10.656 FRAME, Front Door Ventilator**

41-48	CONV.	right	4118499	1	15.35
41-48	CONV.	left	4119036	1	15.35
49-50	CONV.	right	4168053	1	15.35
49-50	CONV.	left	4168054	1	15.35
50	BEL AIR				
51	CONV., BEL AIR (1st type)	right, w/rain deflector	4175896	1	16.51
50	BEL AIR	left, w/rain deflector	4175898	1	16.51
51	CONV., BEL AIR (1st type)	left, w/rain deflector	4175897	1	16.51
51-52	CONV., BEL AIR (2nd type)	left, less rain deflector	4184694*	1	12.46
51-52	CONV., BEL AIR (2nd type)	right, less rain deflector	4184692*	1	12.46
53-54	CONV., SPT. CPE.	right, less rain deflector	4191714	1	13.83
53-54	CONV., SPT. CPE.	left, less rain deflector	4191715	1	13.83

\*NOTE: 2nd type Vent. Frame can be identified by angle at upper end. 1st type has square upper end.

**10.657 SHAFT, Front Door Ventilator Tee**

41-48	PASS. (exc. CONV., STA. WAG.)	right	4117559	1	.70
41-48	PASS. (exc. CONV., STA. WAG.)	left	4117560	1	.70

49-52	PASS. (exc. CONV., B-A)	right	4173478	1	.58
49-52	PASS. (exc. CONV., B-A)	left	4173479	1	.58
49-52	CONV., BEL AIR	right	4173481	1	.58
49-52	CONV., BEL AIR	left	4173482	1	.58
53-54	PASS. (exc. CONV., SPT. CPE.)	right	4155730	1	1.10
53-54	PASS. (exc. CONV., SPT. CPE.)	left	4155731	1	1.10
53-54	CONV., SPT. CPE.	right	4155732	1	1.10
53-54	CONV., SPT. CPE.	left	4155733	1	1.10

**10.658 GLASS, Front Door Ventilator (safety)**

37-39	PASS. (exc. CONV.)		4091247	2	3.83
40	PASS. (exc. CONV.)		4101983	2	4.29
41-48	PASS. (exc. FLTLN., CONV., STA. WAG.)		4115803	2	4.02
41-48	CONV.		4115813	2	4.29
41-48	1069		4122423	2	4.02
42-48	1007		4125272	2	4.02
46-48	STA. WAG.		4099406	2	4.17
49-52	FLEETLINE		4560574	2	3.92
49-52	CONV., BEL AIR		4561184	2	4.20
49-52	STYLELINE (exc. CONV., B-A)		4561275	2	4.20
53-54	PASS. (exc. CONV., SPT. CPE.)		4599944	2	4.05
53-54	CONV., SPT. CPE.		4602799	2	4.05
52	1007	(tinted)	4614727	2	4.32
52	STYLELINE (exc. CONV., B-A)	(tinted)	4611352	2	4.54
52	CONV., BEL AIR	(tinted)	4611353	2	4.54
53-54	PASS. (exc. CONV., SPT. CPE.)	(tinted)	4612509	2	4.35
53-54	CONV., SPT. CPE.	(tinted)	4612507	2	4.35

**10.659 LOCK-PLATE-CATCH, Door Ventilator Channel**

39-48	PASS. (exc. CONV.)				
53-54	PASS. (exc. CONV.)	right	4128367	1	.67
39-48	PASS. (exc. CONV.)				
53-54	PASS. (exc. CONV.)	left	4128368	1	.67
39-48	PASS. (exc. CONV.)	PLATE, lock bolt striker	4092183	2	.07
49-52	PASS. (exc. CONV., B-A)	CATCH, right	4176124	1	.43
49-52	PASS. (exc. CONV., B-A)	CATCH, left	4176125	1	.43
49-52	CONV., BEL AIR	CATCH, right	4173101	1	.55
49-52	CONV., BEL AIR	CATCH, left	4173102	1	.55

**10.660 LOCK PARTS, Door Ventilator Channel**

39-48	PASS. (exc. CONV.)				
53-54	PASS. (exc. CONV.)	KNOB, lock	4126502	2	.13
39-48	PASS. (exc. CONV.)				
53-54	PASS. (exc. CONV.)	BOLT, lock—use on front doors	4094294	2	.22
39-48	PASS. (exc. CONV.)				
53-54	PASS. (exc. CONV.)	SPRING, knob—use on front doors	4094292	2	.06
39-48	PASS. (exc. CONV.)				
53-54	PASS. (exc. CONV.)	SCREW, knob—use on front doors	4094293	2	.18
39-54	PASS.	RIVET, handle support to channel	4172393	8	.02
49-52	PASS.	SUPPORT, w/stud—handle front and rear doors	4172437	A.R.	.83
49-52	PASS.	STOP, frt. dr. pivot shaft (lower— $\frac{1}{8}$ thick)	4167943	2	.05
49	PASS. (exc. CONV.)	STOP, frt. dr. pivot shaft (upper— $\frac{3}{4}$ thick)	4172435	2	.06
49-52	PASS.	BUTTON, frt. and rear dr.	4167990*	4	.17
49-52	PASS.	SPRING, frt. and rear dr. push button	4167991*	4	.05
49-52	PASS.	PIN, frt. and rear dr. handle	4167992*	4	.05
49-52	PASS.	SPRING, frt. and rear dr. pivot shaft	4162191*	4	.10
49-52	PASS.	WASHER, frt. and rear dr. pivot shaft (fiber)	4162192*	4	.04
49-52	PASS.	WASHER, frt. and rear dr. pivot shaft (steel)	4162193*	4	.04

\*NOTE: Used on Jobs 1208-69 front doors only.

**10.661 REGULATOR, Front Door Ventilator**

34-36	PASS.	left, composite door	4063044*	1	3.07
34-36	PASS.	right, composite door	4063043*	1	3.07
*NOTE: On 1938 jobs, the use of extra washer 4110663 is required.					
37-38	PASS.	right	4074826	1	3.07
37-38	PASS.	left	4074827	1	3.07

39	PASS.	right	4089977	1	3.07
39	PASS.	left	4089978	1	3.07
40-48	PASS. (exc. STA. WAG.)	right	4099411*	1	3.07
40-48	PASS. (exc. STA. WAG.)	left	4099412*	1	3.07
*NOTE: When necessary use extra filler washers to bring out trim pad far enough to make up $\frac{1}{8}$ in. difference in length of spindle.					
46-48	STA. WAG.	left	4099451	1	3.07
46-48	STA. WAG.	right	4099452	1	3.07
53-54	PASS. (exc. CONV., SPT. CPE., STA. WAG.)	R. (spindle extension length $1\frac{3}{16}$ )	4636692	1	3.10
53-54	PASS. (exc. CONV., SPT. CPE., STA. WAG.)	L. (spindle extension length $1\frac{3}{16}$ )	4636693	1	3.10
53-54	CONV., SPT. CPE.	L. ( $1\frac{15}{16}$ length of spindle ext. and spacer)	4636694	1	3.00
53-54	CONV., SPT. CPE.	R. ( $1\frac{15}{16}$ length of spindle ext. and spacer)	4636695	1	3.00
53-54	STA. WAG.	R. (spindle extension length $1\frac{1}{16}$ )	4636696	1	3.10
53-54	STA. WAG.	L. (spindle extension length $1\frac{1}{16}$ )	4636697	1	3.10
53-54	PASS.	CLIP, regulator spring	4155278	2	.05

#### 10.664 HANDLE, Front Door Ventilator Regulator

37-38	PASS.		4076980	2	1.50
39-40	PASS.				
41-46	Ser. 1000,				
47	Ser. 1200	(white knob w/brown insert)	4147119	2	1.50
46-48	Ser. 1200	(white knob)	4146765	2	1.50
46-48	STA. WAG.,				
47-48	Ser. 1000	(white knob w/gold insert)	4161357	2	1.50
49-52	PASS.	right-locking	4167988*	1	.90
49-52	PASS.	left-locking	4167989*	1	.90
*NOTE: For internal parts for pt. Nos. 4167988-9 see Grp. 10.660					
53-54	Ser. 1000	(w/chrome insert in knob)	4619385	2	1.50
53-54	Ser. 1200	(plain knob)	4619386	2	1.50
37-38	PASS.	SPRING, tension, handle ( $\frac{9}{16}$ O.D. x $1\frac{1}{2}$ long, $6\frac{1}{2}$ coils)	4073893	2	(10.513)
39	PASS.	SPRING, tension, handle ( $\frac{3}{16}$ O.D. x $1\frac{3}{4}$ long, 13 coils)	4089633	2	(10.513)
39-48	PASS. (exc. STA. WAG.)	RETAINER, handle (spring steel, hairpin type)	4090144	2	(10.513)

#### 10.665 PLATE, Front Door Ventilator Handle Escutcheon

29-48	PASS. (exc. STA. WAG.)	( $2\frac{3}{16}$ dia.) (to be used to protect trim)	4125997	A.R.	(10.515)
39-48	PASS. (exc. STA. WAG.)		4146889	2	(10.515)
47-48	STA. WAG.		4161784	2	(10.515)

#### 10.666 SPRING, Front Door Ventilator Handle Escutcheon

37-48	PASS.	(conical coil—5 turns) (use w/die cast regulator housing)	4078002	2	.11
53-54	PASS.	(straight coil—5 turns)	4090162	2	.11
39-48	PASS. (exc. STA. WAG.)	(conical coil—7 turns) (use w/steel stamped regulator housing)	4132476	2	.06

#### 10.669 PIVOT—CLAMP—RIVET, Front Door Ventilator

40-48	CONV.	right	4118507	1	.67
40-48	CONV.	left	4118508	1	.67
41-48	PASS. (exc. 1007-67-69)	right	4116337	1	.43
41-48	PASS. (exc. 1007-67-69)	left	4116338	1	.43
41-48	1069	right	4134786	1	.43
41-48	1069	left	4134786	1	.43
42-48	1007	right	4134787	1	.43
42-48	1007	left	4134788	1	.43
49-52	PASS. (exc. CONV., B-A)	right (on retainer)	4173376	1	.55
49-52	PASS. (exc. CONV., B-A)	left (on retainer)	4173377	1	.55
49-52	PASS. (exc. CONV., B-A)	right (on glass channel)	4173378	1	.28
49-52	PASS. (exc. CONV., B-A)	left (on glass channel)	4173379	1	.28
51-52	CONV., BEL AIR	right—upper—channel	4186162	1	.55
51-52	CONV., BEL AIR	left—upper—channel	4186163	1	.55
53-54	PASS. (exc. CONV., SPT. CPE.)	right (on retainer)	4191720	1	.55



53-54	PASS. (exc. CONV., SPT. CPE.)	left (on retainer)	4191721	1	.55
53-54	PASS. (exc. CONV., SPT. CPE.)	right (on glass channel)	4191724	1	.20
53-54	PASS. (exc. CONV., SPT. CPE.)	left (on glass channel)	4191725	1	.20
53-54	CONV., SPT. CPE.	right, with stud	4191716	1	.55
53-54	CONV., SPT. CPE.	left, with stud	4191717	1	.55
40-41	PASS.,				
46-48	PASS.,				
53-54	PASS. (exc. CONV., SPT. CPE.)	CLAMP, regulator friction (1 3/4 long)	4104796	2	.06
42	PASS.,				
53-54	CONV., SPT. CPE.	CLAMP, regulator friction (2 long)	4133662	2	.06
49-52	PASS. (exc. CONV., B-A)	RIVET, pivot hinge (3/16 dia. hd. x 2 1/4 long w/ shoulder)	4168086	2	.06
53-54	PASS. (exc. CONV., SPT. CPE.)				

#### 10.670 MISCELLANEOUS SMALL PARTS, Front Door Ventilator

33-48	PASS. (exc. STA. WAG.)	SCREW, (No. 8—32 x 5/16) USE—Ventilator retainer to inner panel, and front sash channel to lower sash (w/movable channel)	179311	A.R.	(8.977)
42-46	PASS.,				
53-54	CONV., SPT. CPE.	SCREW, regulator friction clamp (1 3/8 lg.)	4133704	2	.06
53-54	PASS. (exc. CONV., SPT. CPE.)	SCREW, regulator friction clamp (1 3/8 lg.)	4104797	2	.05
36-40	PASS.	WASHER, regulator handle filler, rubber (1/2 I.D. x 1 1/2 O.D. x 3/16 thick)	4110663	2	(10.119)
41-48	CONV.	WASHER, ventilator to inner panel	138538	6	(8.932)
41-52	PASS.	BOLT, door vent. (1/4—20 x 5/16)	431791	A.R.	(8.907)
53-54	PASS.	BOLT, regulator to tee shaft (1/4—20 x 1/2)	180021	2	(8.900)
49-50	CONV.	DEFLECTOR, right—water (at lower front corner of vent.)	4580139	1	.22
49-50	CONV.	DEFLECTOR, left—water (at lower front corner of vent.)	4580140	1	.22
51-52	CONV., BEL AIR,				
53	CONV., SPT. CPE.	BUMPER, right	4180904	1	.83
51-52	CONV., BEL AIR,				
53	CONV., SPT. CPE.	BUMPER, left	4180905	1	.83

#### 10.674 DEFLECTOR, Front Door, Rain

41-48	PASS. (exc. FLTLN., CONV., STA. WAG.)	right	4114342	1	.52
41-48	PASS. (exc. FLTLN., CONV., STA. WAG.)	left	4114343	1	.52
41-48	1069	right	4120827	1	.47
41-48	1069	left	4120828	1	.47
42-48	1007	right	4125861	1	.70
42-48	1007	left	4125862	1	.70
49-52	FLEETLINE	right	4583977	1	.70
49-52	FLEETLINE	left	4583978	1	.70
49-52	STYLELINE (exc. CONV., B-A)	right	4583986	1	.70
49-52	STYLELINE (exc. CONV., B-A)	left	4583987	1	.70
50-51	CONV., BEL AIR (1st type)	right, w/rivets (attaches to ventilator)	3695746	1	3.42
50-51	CONV., BEL AIR (1st type)	left, w/rivets (attaches to ventilator)	3695745	1	3.42
51-52	BEL AIR (2nd type)	right (attaches to roof rail)	4614522	1	3.73
51-52	BEL AIR (2nd type)	left (attaches to roof rail)	4614523	1	3.73
53-54	PASS. (exc. 1011WD-37D-67D-69WD)	right (stamped 42)	4597442	1	.70
53-54	PASS. (exc. 1011WD-37D-67D-69WD)	left (stamped 43)	4597443	1	.70
53-54	1011WD-69WD	right (stainless, 6 attach. holes)	4614671	1	3.35
53-54	1011WD-69WD	left (stainless, 6 attach. holes)	4614672	1	3.35
53-54	CONV.	right (stainless steel)	4601069	1	3.23
53-54	CONV.	left (stainless steel)	4601070	1	3.23
53-54	SPT. CPE.	right (stainless steel)	4599966	1	3.42
53-54	SPT. CPE.	left (stainless steel)	4599967	1	3.42
33-48	PASS. (exc. STA. WAG.)	SCREW, rain deflector to panel (No. 8-32 x 5/16)	179311	6	(8.977)

#### 10.681 GLASS, Front Door Window (safety)

37-38	1009-19-1209-19-71		4073790	2	7.22
37-38	1017-87-1217		4073787	2	9.60
37-38	1001-11-1201-11		4073784	2	10.80
39	1001-11-1201-11		4089989	2	10.80
40	1011-1211-1511		4102021	2	11.72
40	1017-27-1217-1517-27		4102020	2	10.80
40	1019-1219-71-1519-71		4102384	2	7.83

41-48	1011-1211		4117561	2	11.32
41-48	1019-1219-71		4115805	2	7.32
41-48	CPES		4115804	2	10.75
41	CONV.		4116682	2	11.72
41-48	1069		4122412	2	8.58
42-48	1007		4125241	2	10.92
42-48	CONV.		4132199	2	12.29
46-48	STA. WAG.		3682479	2	4.86
49-52	1011-1211		4559940	2	13.68
49-52	1007-1207		4561192	2	12.60
49-52	1069-1269-71		4559295	2	10.65
49-52	CPES		4559951	2	13.37
49-51	1008-1208		4560858	2	9.72
49-52	CONV., BEL AIR		4560906	2	12.60
49-52	1062		4566721	2	9.69
49	1061		4566722	2	9.43
53-54	1011-27-1211-27-27B		4595550	2	13.40
53-54	1069-1269-69W-71		4599950	2	10.25
53-54	CONV., SPT. CPE		4602629	2	12.60
53-54	STA. WAG. (exc. 1262F)		4603203	2	9.85
53-54	1262F		4603297	2	8.08
52	1007	(tinted)	4614728	2	13.62
52	1011-1211	(tinted)	4611355	2	14.46
52	1069-1269	(tinted)	4611357	2	11.42
52	CPES	(tinted)	4614729	2	14.46
52	CONV., BEL AIR	(tinted)	4611356	2	13.62
52	STA. WAG.	(tinted)	4611362	2	10.49
53-54	1011-27-1211-27-27B	(tinted)	4612510	2	14.15
53-54	1069-1269-69W-71	(tinted)	4612511	2	11.25
53-54	CONV., SPT. CPE	(tinted)	4612513	2	13.62
53-54	STA. WAG.	(tinted)	4612514	2	10.70

#### 10.685 CHANNEL, Front Door Glass Lower Sash

34-35	34578-607, 351001-11-17-57-1207,				
36	PASS.				
39	1001-11-1201-11	right, less cam (33 <sup>33</sup> / <sub>32</sub> long)	4063502*	1	1.68
34-35	34578-607, 351001-11-17-57-1207-07A,				
36	PASS.				
39	1001-11-1201-11	left, less cam (33 <sup>33</sup> / <sub>32</sub> long)	4063503*	1	1.68
*NOTE: When using 4063502-3 it is also necessary to use 4099974 cam.					
37-38	1001-11-17-87-1201-11-17	right, less cam (32 <sup>3</sup> / <sub>4</sub> long)	4082083	1	1.05
37-38	1001-11-17-87-1201-11-17	left, less cam (32 <sup>3</sup> / <sub>4</sub> long)	4082084	1	1.05
39	1017-27-1217	right, less cam (20 <sup>1</sup> / <sub>8</sub> long)	4089994	1	1.05
39	1009-19-1209-19-71	right, with cam (14 <sup>7</sup> / <sub>8</sub> long)	4089996	1	.93
39	1009-19-1209-19-71	left, with cam (14 <sup>7</sup> / <sub>8</sub> long)	4089997	1	.93
40	CONV.	right, less cam (24 <sup>1</sup> / <sub>8</sub> long)	4102006	1	3.07
40	CONV.	left, less cam (24 <sup>1</sup> / <sub>8</sub> long)	4102007	1	3.07
40	1011-1211-1511	left, less cam (24 <sup>17</sup> / <sub>32</sub> long)	4102009	1	1.05
40-48	1019-1219-71-1519-71	right, with cam (14 <sup>3</sup> / <sub>4</sub> long)	4102012	1	.93
40-48	1019-1219-71-1519-71	left, with cam (14 <sup>3</sup> / <sub>4</sub> long)	4102013	1	.93
41-48	1011-1211	right, less cam (24 <sup>7</sup> / <sub>16</sub> long)	4114461	1	1.05
41-48	1011-1211	left, less cam (24 <sup>7</sup> / <sub>16</sub> long)	4114462	1	1.05
41-48	CPES	right, less cam (23 <sup>3</sup> / <sub>8</sub> long)	4114463	1	1.05
41-48	CPES	left, less cam (23 <sup>3</sup> / <sub>8</sub> long)	4114464	1	1.05
41-48	CONV.	right, less cam (23 <sup>13</sup> / <sub>16</sub> long)	4114469	1	4.35
41-48	CONV.	left, less cam (23 <sup>13</sup> / <sub>16</sub> long)	4114470	1	4.35
41-48	1069	right, less cam (16 <sup>7</sup> / <sub>8</sub> long)	4124055	1	.93
41-48	1069	left, less cam (16 <sup>7</sup> / <sub>8</sub> long)	4124056	1	.93
42-48	1007	right, less cam (26 <sup>1</sup> / <sub>8</sub> long)	4125843	1	1.05
42-48	1007	left, less cam (26 <sup>1</sup> / <sub>8</sub> long)	4125844	1	1.05
49-52	1007-11-27-1207-11-27-27B	right, less cam (25 <sup>5</sup> / <sub>8</sub> long)	4560073	1	.98
49-52	1007-11-27-1207-11-27-27B	left, less cam (25 <sup>5</sup> / <sub>8</sub> long)	4560074	1	.98
49-52	1008-69-1208-69-71	right, less cam (18 <sup>1</sup> / <sub>16</sub> long)	4560285	1	.93
49-52	1008-69-1208-69-71	left, less cam (18 <sup>1</sup> / <sub>16</sub> long)	4560286	1	.93
49-52	CONV., BEL AIR	right, less cam (26 long)	4613791	1	4.20
49-52	CONV., BEL AIR	left, less cam (26 long)	4613792	1	4.20
49-52	STA. WAG.	right, less cam (cut to size)	4561166	1	(11.007)
49-52	STA. WAG.	left, less cam (cut to size)	4561167	1	(11.007)

53-54	PASS. (exc. CONV., SPT. CPE., STA. WAG.)	right, less cam (25 $\frac{3}{8}$ long)	4596421	1	.98
53-54	PASS. (exc. CONV., SPT. CPE., STA. WAG.)	left, less cam (25 $\frac{3}{8}$ long)	4596422	1	.98
53-54	CONV., SPT. CPE.	right, less cam (25 $\frac{1}{8}$ long)	4598524	1	1.85
53-54	CONV., SPT. CPE.	left, less cam (25 $\frac{1}{8}$ long)	4598525	1	1.85
53-54	STA. WAG.	right, less cam (17 $\frac{1}{8}$ long)	4598520	1	.70
53-54	STA. WAG.	left, less cam (17 $\frac{1}{8}$ long)	4598521	1	.70
54	1011	right, less cam (w/elect. window lift)	4644676	1	1.00
54	1011	left, less cam (w/elect. window lift)	4644677	1	1.00
54	CONV., SPT. CPE.	right, less cam (w/elect. window lift)	4644669	1	1.85
54	CONV., SPT. CPE.	left, less cam (w/elect. window lift)	4644670	1	1.85

NOTE: When necessary, use old sash channel as guide and cut new channel off at one or both ends as required.

33-48	PASS.	SCREW, cam to support (No. 8—32 x $\frac{1}{8}$ binding head, self tapping)	179311	8	(8.977)
29-54	PASS.	FILLER (.032 thick x 1 $\frac{1}{2}$ wide—60 ft. roll)	603954	A.R.	(10.696)
29-54	PASS.	FILLER (.047 thick x 1 $\frac{1}{2}$ wide—40 ft. roll)	603955	A.R.	(10.696)

**10.686 CHANNEL—SCALP—WEATHERSTRIP—DEFLECTOR—RIVET, Front Door Glass Division**

37-39	PASS. (exc. CONV.)	right	4090060	1	4.22
37-39	PASS. (exc. CONV.)	left	4090061	1	4.22
40	PASS. (exc. CONV.)	right	4101999	1	3.55
40	PASS. (exc. CONV.)	left	4102000	1	3.55
41-46	PASS. (exc. FLTLN., CONV., STA. WAG.)	right	4146804	1	3.55
41-46	PASS. (exc. FLTLN., CONV., STA. WAG.)	left	4146805	1	3.55
41-48	1069	right	4161371	1	3.55
41-48	1069	left	4161372	1	3.55
41-48	CONV.	right	4129780	1	4.83
41-48	CONV.	left	4129781	1	4.83
42-46	1007	right	4131371	1	3.55
42-46	1007	left	4131372	1	3.55
46-48	STA. WAG.	right	4147417	1	4.83
46-48	STA. WAG.	left	4147418	1	4.83
47-48	PASS. (exc. 1007-61-67-69)	right	4161380	1	3.55
47-48	PASS. (exc. 1007-61-67-69)	left	4161381	1	3.55
47-48	1007	right	4161383	1	3.55
47-48	1007	left	4161384	1	3.55
49	1011-27-69	right	4574338	1	3.55
49	1011-27-69	left	4574339	1	3.55
49	1211-27-27B-69-71	right	4574332	1	3.55
49-51	STA. WAG.				
51	1011-27-69-1211-27-27B-69-71				
52	PASS. (exc. FLTLN., CONV., B-A)	right, w/retainer	4151738*	1	4.07
49-52	PASS. (exc. FLTLN., CONV., B-A)				
52	1011-27-69	left, w/retainer	4151739*	1	4.07
49-52	PASS. (exc. FLTLN., CONV., B-A)	(glass run upper front channel—use w/ 4151738-39)	4151487	2	.70
49-52	FLEETLINE	right w/retainer	4151736*	1	4.07
49-52	FLEETLINE	left w/retainer	4151737*	1	4.07
49-52	FLEETLINE	(glass run upper front channel use w/ 4151736-37)	4151486	2	.70
49-52	CONV., BEL AIR	right (less glass run upper front channel)	4180930	1	3.18
49-52	CONV., BEL AIR	left (less glass run upper front channel)	4180931	1	3.18
49-52	CONV., BEL AIR	(glass run upper front channel use w/ 4180930-31)	4168059	2	.57
52	FLEETLINE	right (grey)	4610124	1	3.55
52	FLEETLINE	left (grey)	4610125	1	3.55
52	Ser. 1200	left	4608486	1	3.55
53-54	PASS. (exc. CONV., SPT. CPE.)	right w/retainer	4151974*	1	4.07
53-54	PASS. (exc. CONV., SPT. CPE.)	left w/retainer	4151975*	1	4.07
53-54	PASS. (exc. CONV., SPT. CPE.)	(glass run upper front) (14 long)	4191728	2	.70
53-54	CONV., SPT. CPE.	right	4191710*	1	3.05
53-54	CONV., SPT. CPE.	left	4191711*	1	3.05
53-54	CONV., SPT. CPE.	(glass run upper front) (14 $\frac{1}{8}$ long)	4191697	2	.70

\*NOTE: The above parts do not include the inner and outer scalp, run channel or weatherstrip.

49-52	PASS. (exc. FLTLN., CONV., B-A, STA. WAG.)	SCALP, channel, right (inner)	4190395	1	.32
49-52	PASS. (exc. FLTLN., CONV., B-A, STA. WAG.)	SCALP, channel, left (inner)	4190396	1	.32
49-52	PASS. (exc. FLTLN., CONV., B-A)	SCALP, vent. div. chnl. outer air (13 $\frac{3}{8}$ )	4190978	2	.65
49-52	FLEETLINE	SCALP, channel, left (inner)	4190393	1	.32
49-52	FLEETLINE	SCALP, channel, right (inner)	4190394	1	.32
49-52	FLEETLINE	SCALP, vent. div. chnl. outer air (12 $\frac{3}{8}$ )	4190977	2	.65
49-52	STA. WAG.	SCALP, channel, right (inner)	4150490	1	.32
49-52	STA. WAG.	SCALP, channel, left (inner)	4150491	1	.32
50-52	CONV., BEL AIR	SCALP, channel, right (outer)	4180809	1	.65
50-52	CONV., BEL AIR	SCALP, channel, left (outer)	4180810	1	.65
53-54	PASS. (exc. CONV., SPT. CPE.)	SCALP, channel (outer)	4191729	2	.45
53-54	PASS. (exc. CONV., SPT. CPE.)	SCALP, channel, right (inner) (12 $\frac{1}{8}$ long)	4152136	1	.65
53-54	PASS. (exc. CONV., SPT. CPE.)	SCALP, channel, left (inner) (12 $\frac{1}{8}$ long)	4152137	1	.65
53-54	CONV., SPT. CPE.	SCALP, channel, right (inner)	4150510	1	.65
53-54	CONV., SPT. CPE.	SCALP, channel, left (inner)	4150511	1	.65
53-54	CONV., SPT. CPE.	SCALP, channel, right (outer) (12 $\frac{1}{8}$ long)	4191698	1	.65
53-54	CONV., SPT. CPE.	SCALP, channel, left (outer) (12 $\frac{1}{8}$ long)	4191699	1	.65
49-52	PASS. (exc. FLTLN., CONV., B-A),				
53-54	PASS. (exc. CONV., SPT. CPE.)	WEATHERSTRIP, channel, right (11 $\frac{3}{8}$ )	4190979	1	.75
49-52	PASS. (exc. FLTLN., CONV., B-A),				
53-54	PASS. (exc. CONV., SPT. CPE.)	WEATHERSTRIP, channel, left (11 $\frac{3}{8}$ )	4190980	1	.75
49-52	FLEETLINE	WEATHERSTRIP, channel, right (11 $\frac{3}{8}$ )	4151482	1	.75
49-52	FLEETLINE	WEATHERSTRIP, channel, left (11 $\frac{3}{8}$ )	4151483	1	.75
49-52	CONV., BEL AIR	WEATHERSTRIP, channel, right (12 $\frac{1}{4}$ )	4180811	1	1.02
49-52	CONV., BEL AIR	WEATHERSTRIP, channel, left (12 $\frac{1}{4}$ )	4180812	1	1.02
53-54	CONV., SPT. CPE.	WEATHERSTRIP, chnl., right (T-99174 molded on)	4191700	1	1.02
53-54	CONV., SPT. CPE.	WEATHERSTRIP, chnl., left (T-99175 molded on)	4191701	1	1.02
51-52	PASS. (exc. CONV., B-A)	DEFLECTOR, vent. div. chnl., water (1 $\frac{5}{8}$ x 2 $\frac{1}{2}$ )	4605963	2	.08
49-52	PASS. (exc. CONV., B-A)				
53-54	PASS. (exc. CONV., SPT. CPE.)	RIVET, vent. div. upr. run channel (1 $\frac{1}{4}$ )	4190981	4	.02
37-38	PASS.	SCREW, channel to panel, upper	4090730	4	(10.724)

#### 10.687 CAM, Front Door Glass Lower Sash Channel

NOTE: Also refer to group 10.685 for sash channel (with cam).

33-54	PASS.	right and left (cut to size)	4099974	2	(11.046)
-------	-------	------------------------------	---------	---	----------

#### 10.688 NUT, Front Door Glass Division Channel

41-48	PASS. (exc. STA. WAG.)	support to panel	124818	2	(6.916)
-------	------------------------	------------------	--------	---	---------

#### 10.689 CHANNEL, Door Glass Sash

41	CONV.	right, upper and rear	4114815	1	11.02
41	CONV.	left, upper and rear	4114816	1	11.02
42-48	CONV.	right, upper and rear	4125821	1	16.69
42-48	CONV.	left, upper and rear	4125822	1	16.69
49-51	CONV., BEL AIR (1st type)	right, upper and rear	4560812	1	15.06
49-51	CONV., BEL AIR (1st type)	left, upper and rear	4560813	1	15.06
51-52	CONV., BEL AIR (2nd type)	right, upper and rear	4596366	1	13.34
51-52	CONV., BEL AIR (2nd type)	left, upper and rear	4596367	1	13.34
53-54	CONV., SPT. CPE.	right, upper and rear	4601065	1	13.34
53-54	CONV., SPT. CPE.	left, upper and rear	4601066	1	13.34

#### 10.694 WEATHERSTRIP, Door Opening

35-36	Ser. 351000, 361000-1200 (exc. CONV.)	front door (for doors with retainer) (5 $\frac{1}{4}$ x 1 $\frac{1}{8}$ x 60 $\frac{1}{4}$ long, w/lip)	4064663	2	.68
37-40	PASS.	front, rear and back door-top and sides,			
40-48	SDL.	back door,			
41-48	PASS. (exc. STA. WAG.)	front and rear door, upper and lock pillar side,			
41	PASS.	front hinge pillar side, front and rear,			
42-48	4-DOOR (exc. STA. WAG.)	hinge pillar side, rear door,			
46-48	STA. WAG.	doors rear body opening bottom of doors,			
49-54	PASS.	front door top, upper and lower lock pillar,			
49-54	4-DR. PASS.	rear door top and lock pillar (60 ft. roll—cut to size)	3692045* A.R.		.13 ft.



41	PASS.....	filler, door weatherstrip, rubber ( $\frac{5}{8}$ x $\frac{3}{8}$ x 60 long).....	4121793	2	1.27
42-48	PASS. (exc. STA. WAG.).....	left front door, hinge pillar side (ident. No. H79841).....	4125527	1	2.35
46-48	STA. WAG.....	right front door, hinge pillar side (ident. No. H79840).....	4125526	1	2.35
42-48	PASS. (exc. STA. WAG.).....	right lock pillar (ident. No. P20725).....	4131426	1	.80
46-48	STA. WAG.....	left lock pillar (ident. No. P20726).....	4131427	1	.80
42-48	CONV.....	right rear lock pillar lower (12 $\frac{3}{4}$ long) (molded 4565899).....	4565914	1	.73
49-52	4-DR. PASS.....	left rear lock pillar lower (12 $\frac{3}{4}$ long) (molded 4565899).....	4565915	1	.73
49	CONV. (1st type).....	right hinge pillar (molded 4567403-5).....	4567401	1	1.98
49	CONV. (1st type).....	left hinge pillar (molded 4567404-6).....	4567402	1	1.98
49-52	1008-62-69-1208-69.....	right rear hinge pillar (molded 4565924).....	4565924	1	1.98
49-52	1062.....	left rear hinge pillar (molded 4565925).....	4565925	1	1.98
49-51	1008-1208.....	left rear hinge pillar (molded 4565923).....	4565923	1	1.98
49-52	1069-1269.....	left rear hinge pillar (molded 4565921).....	4565921	1	1.98
49	PASS. (exc. CONV.) (1st type).....	right hinge pillar (molded 4565918).....	4565918	1	1.65
49	PASS. (exc. CONV.) (1st type).....	left hinge pillar (molded 4565919).....	4565919	1	1.65
49-52	CONV., BEL AIR.....	right lock pillar (68 $\frac{1}{2}$ long).....	4606455	1	1.60
49-52	CONV., BEL AIR.....	left lock pillar (68 $\frac{1}{2}$ long).....	4606456	1	1.60
49	1061.....	right rear door hinge pillar (92 $\frac{1}{8}$ long) (molded 4564898).....	4566963	1	1.98
49	1061.....	left rear door hinge pillar (92 $\frac{1}{8}$ long) (molded 4565898).....	4566964	1	1.98
49	1061.....	right front door top and lock pillar (106 $\frac{1}{2}$ long).....	4572179	1	2.83
49	1061.....	left front door top and lock pillar (105 $\frac{1}{2}$ long).....	4572180	1	2.83
49-52	PASS.....	body hinge pillar to door sealing (26 $\frac{1}{2}$ long x 7 $\frac{1}{4}$ wide) (rubberized cloth).....	4571889	2	1.30
49-52	PASS. (exc. CONV., B-A) (2nd type).....	right, door hinge pillar at belt (molded 4571918).....	4571918*	1	.97
49-52	PASS. (exc. CONV., B-A) (2nd type).....	left, door hinge pillar at belt (molded 4571919).....	4571919*	1	.97
49-50	CONV., BEL AIR (1st type).....	right, door hinge pillar at belt (12 $\frac{1}{4}$ O.L.).....	4578472	1	.85
49-50	CONV., BEL AIR (1st type).....	left, door hinge pillar at belt (12 $\frac{1}{4}$ O.L.).....	4578473	1	.85
49-52	PASS. (exc. CONV., B-A).....	right, body hinge pillar at belt (high lip type) (molded 4589389).....	4589389	1	1.30
49-52	PASS. (exc. CONV., B-A).....	left, body hinge pillar at belt (high lip type) (molded 4589390).....	4589390	1	1.30
49-52	PASS. (exc. CONV., B-A).....	right, body hinge pillar at belt (low lip type) (molded 4589397).....	4589397	1	1.30
49-52	PASS. (exc. CONV., B-A).....	left, body hinge pillar at belt (low lip type) (molded 4589398).....	4589398	1	1.30
50-52	CONV., BEL AIR (2nd type).....	right, door hinge pillar at belt, upr. end flat (12 $\frac{1}{4}$ O.L.) (molded 4589811).....	4589811	1	1.30
50-52	CONV., BEL AIR (2nd type).....	left, door hinge pillar at belt, upr. end flat (12 $\frac{1}{4}$ O.L.) (molded 4589812).....	4589812	1	1.30
51-52	CONV., BEL AIR.....	right, body lock pillar aux. (29 long).....	4606231	1	.73
51-52	CONV., BEL AIR.....	left, body lock pillar aux. (29 long).....	4606232	1	.73
53-54	PASS. (exc. CONV., SPT. CPE).....	front and rear (168 long).....	4191860	A.R.	3.25
53-54	CONV., SPT. CPE.....	right, lock pillar (52 long).....	4632297	1	1.75
53-54	CONV., SPT. CPE.....	left, lock pillar (52 long).....	4632298	1	1.75
53-54	CONV., SPT. CPE.....	right, hinge pillar and bottom (104 long).....	4620562	1	3.00
53-54	CONV., SPT. CPE.....	left, hinge pillar and bottom (104 long).....	4620563	1	3.00

\*NOTE: 3692045 is used in conjunction with 4571918-9 to make up an assy.

#### WEATHERSTRIP, Door Bottom—Corners

36-39	PASS.....	bottom ( $\frac{5}{8}$ x $\frac{3}{4}$ x 66 $\frac{3}{4}$ long, retainer type).....	4076154	A.R.	.68
40	PASS.....	corner, right, front and rear door (ident. No. H73324).....	4101978	A.R.	.18
40	PASS.....	corner, left, front and rear door (ident. No. H73323).....	4101979	A.R.	.18

41	PASS.....	front corner, right front door (ident. No. H76312).....	4114994	1	.16
41	PASS.....	front corner, left front door (ident. No. H76313).....	4114995	1	.18
41-42	PASS.....	rear corner, left front door,			
41-42	4-DOOR.....	front and rear corner, left rear door (ident. No. H76057).....	4115115	2	.52
41-42	PASS.....	rear corner, right front door,			
41-42	4-DOOR.....	front and rear corner, right rear door (ident. No. H76058).....	4115116	2	.52
40	1011-17-27-67-1211-17-1511-17-27.....	right front door, bottom w/corner (ident. No. P21458).....	4143071	1	1.75
41-48	1011-27-27B-67-1211-27-27B-27P.....	left front door, bottom w/corner (ident. No. P21459).....	4143072	1	1.75
40	1011-17-27-67-1211-17-1511-17-27.....	bottom, right front door (ident. No. H78232)	4143075	1	1.75
41-48	1069.....	bottom, left front door (ident. No. H78232)	4143076	1	1.75
41-48	1069.....	bottom, right and left rear door (ident. No. P21474).....	4143079	2	1.98
41-48	1019-1219-71.....	right front door, bottom w/corner (ident. No. P21456).....	4143069	1	1.47
41-48	1019-1219-71.....	left front door, bottom w/corner (ident. No. P21457).....	4143070	1	1.47
42-48	1007.....	right front door, bottom w/corner (ident. No. P21462).....	4143073	1	1.98
42-48	1007.....	left front door, bottom w/corner (ident. No. P21463).....	4143074	1	1.98
41-48	1019-1219.....	rear doors, bottom w/corners (ident. No. P21472).....	4143077	2	1.98
49-54	SDL.....	back door opening (attaches to body opening) (126 long).....	4172355	1	(12.269)
49-54	SDL.....	(attaches to back door).....	4167900	1	3.68
49-52	1008-62-69-1208-69.....	right rear door (28 $\frac{1}{4}$ long) (molded 4565898).....	4565912	1	1.07
49-52	1008-62-69-1208-69.....	left rear door (28 $\frac{1}{4}$ long) (molded 4565898)	4565913	1	1.07
49-52	PASS.....	right front door (40 $\frac{3}{4}$ long).....	4578148	1	1.63
49-52	PASS.....	left front door (40 $\frac{3}{4}$ long).....	4578149	1	1.63
49-52	CONV., BEL AIR.....	right, front corner (9 $\frac{1}{2}$ long).....	4604030	1	.83
49-52	CONV., BEL AIR.....	left, front corner (9 $\frac{1}{2}$ long).....	4604031	1	.83

#### RETAINER, Weatherstrip, Door Opening

42-48	PASS. (exc. STA. WAG.).....	right, front dr. hinge pillar.....	4131738	1	.45
42-48	PASS. (exc. STA. WAG.).....	left front dr. hinge pillar.....	4131739	1	.45
49	PASS. (exc. STA. WAG.).....	right front dr. hinge pillar.....	4563183	1	.45
49	PASS. (exc. STA. WAG.).....	left front dr. hinge pillar.....	4563184	1	.45
49-52	1008-62-69-1208-69.....	right rear dr. hinge pillar.....	4563192	1	.50
49-52	1008-62-69-1208-69.....	left rear dr. hinge pillar.....	4563193	1	.50
49-52	CONV.....	right and left front dr. lock pillar.....	4572409	2	.12
49-52	PASS. (exc. 1061).....	front pillar sealing strip (1 $\frac{3}{4}$ x 1 $\frac{5}{8}$ O.L. w/2 slotted holes).....	4578142	2	.23
50-52	CONV., BEL AIR.....	right, front body hinge pillar (1 x 1 $\frac{7}{8}$ ).....	4600868	2	.25
50-52	CONV., BEL AIR.....	left, front body hinge pillar (1 x 1 $\frac{7}{8}$ ).....	4600869	2	.25
50-52	CONV., BEL AIR.....	right, door hinge pillar (1 $\frac{1}{16}$ x 1 $\frac{1}{16}$ ).....	4600866	1	.13
50-52	CONV., BEL AIR.....	left, door hinge pillar (1 $\frac{1}{16}$ x 1 $\frac{1}{16}$ ).....	4600867	1	.13
53-54	CONV., SPT. CPE.....	right, hinge pillar upr. corner (w/two $\frac{5}{16}$ holes).....	4615787	1	.25
53-54	CONV., SPT. CPE.....	left, hinge pillar upr. corner (w/two $\frac{5}{16}$ holes).....	4615788	1	.25

#### 10.695 CLIP-FASTENER-STUD, Door Weatherstrip

37-39	PASS.....	lower.....	4082247	A.R.	.04
37-38	PASS.....	upper and sides (1 $\frac{7}{8}$ ).....	4076044	A.R.	.03
37-38	PASS.....	upper and sides (1 $\frac{3}{8}$ x $\frac{3}{4}$ x $\frac{3}{4}$ high).....	4076045	A.R.	.03
41	PASS.....	door bottom corner weatherstrip.....	4121803	4	.02
42-48	PASS. (exc. STA. WAG).....	door bottom front and rear.....	4131105	8	.03
49-52	PASS. (exc. 1061).....	front pillar sealing strip ( $\frac{5}{8}$ O.D. x 1 $\frac{3}{4}$ I.D.).....	4578145	2	.05



4082247



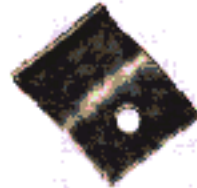
4604900



4578144



4181105



4121803



4076045



4076044



4578145

49-52	PASS. (exc. 1061)	FASTENER, front pillar sealing strip ( $1\frac{1}{2}$ dia. hd. — $\frac{1}{4}$ dia. stud)	4604900	4	.05
53-54	PASS.	FASTENER, button type at lock pillar ( $\frac{3}{8}$ dia. hd. x $\frac{3}{4}$ dia. stud)	4631788	8	.05
49-52	PASS. (exc. 1061)	STUD, front pillar sealing strip (#8—15 thread — $1\frac{1}{2}$ O.L.)	4578144	2	.10
48	CONV.	SCREW, lock pillar weatherstrip to door	120221	A.R.	(8.906)
50-52	CONV., BEL AIR				
53-54	CONV., SPT. CPE.	SCREW, frt. body hinge pillar ret. (8—15 x $\frac{3}{8}$ )	431801	A.R.	(8.977)

#### 10.696 WEATHERSTRIP—FILLER, Door Glass Lower Sash Channel

39-40	1009-17-19-27-1209-17-17P-19,				
40	SDL	front and rear door,			
37	PASS. (exc. CONV.),				
41	PASS. (exc. CONV.),				
42-48	PASS. (exc. 1061-67-59)	front door,			
37	1009-19-1209-19,				
40	1019-1219,				
41	PASS. (exc. CONV., SDL),				
46-48	1019-1219	rear door window lower	4099013*	A.R.	1.27
38	1009-19-1209-19	rear door,			
38	PASS. (exc. CONV.),				
39	PASS. (exc. CPE., SDL),				
40	1011-1211,				
41-48	1069	front door,			
49-52	PASS. (exc. 52-CONV., B-A)	front and rear doors	4099014*	A.R.	1.27
52	CONV., BEL AIR	right (25 $\frac{1}{2}$ long)	4614077	1	.73
52	CONV., BEL AIR	left (25 $\frac{1}{2}$ long)	4614078	1	.73
53-54	PASS. (exc. CONV., SPT. CPE., STA. WAG.)	front and rear (27 $\frac{3}{4}$ long)	4598677	A.R.	.73
53-54	CONV., SPT. CPE.	(25 $\frac{1}{4}$ long)	4587323	2	.74
53-54	STA. WAG.	front and rear (27 $\frac{3}{8}$ long)	4598108	4	.73

\*NOTE: Using old w/strip as a guide, trim lip to contour of outer door panel and where necessary make cut-out to clear brace.

29-54	PASS.	FILLER (.032 thick—1 $\frac{1}{2}$ wide—60 ft. roll)	603954	A.R.	2.08
29-54	PASS.	FILLER (.047 thick—1 $\frac{1}{2}$ wide—40 ft. roll)	603955	A.R.	1.98

#### 10.698 CHANNEL, Door Window Glass Folding Run, w/Filler

41	CONV.	upper	4118622	2	6.58
41	CONV.	lower	4112618	2	.78

#### 10.700 STRAP, Door Window Glass Folding Run Channel Hinge, Female

41	CONV.	right	4112619	1	2.95
41	CONV.	left	4112620	1	2.95

#### 10.701 CHANNEL, Front Door Glass Run

33-38	PASS. (exc. CONV.)	upper, on lock pillar (38 $\frac{1}{4}$ long),			
49	1061	front door upper and side (w/chrome bead)	4074354*	A.R.	1.30
33-39	PASS.	universal ( $\frac{1}{2}$ wide 36 long)	609528	A.R.	1.07
38-40	PASS. (exc. CONV.),				
41-48	PASS. (exc. CONV., TWN. SED., STA. WAG.)	upper,			
49-52	PASS. (exc. CONV., B-A, 1061)	front door window (w/chrome bead—55			
53-54	PASS. (exc. CONV., SPT. CPE.)	long)	4045914*	A.R.	1.85

37-38	PASS. (exc. CONV.)	left lower front (second type) (14 $\frac{3}{8}$ long)	4087837	1	1.30
41-48	1011-1211	right or left (with chrome bead—82 long)	4075477*	2	(10.759)
40	CONV.	lower ( $\frac{3}{4}$ wide x $1\frac{1}{8}$ high x $19\frac{1}{2}$ long "U" shaped w/lining)	4102019	2	1.98
42-48	CONV.	right or left lower ( $\frac{3}{4}$ wide x $1\frac{1}{8}$ high x $17\frac{3}{4}$ long "U" shaped w/lining)	4133576	2	1.98
49-52	CONV., BEL AIR	right or left lower ( $1\frac{3}{8}$ wide x $\frac{5}{8}$ high x $17\frac{3}{4}$ long "U" shaped w/lining)	4556937	2	2.38
53-54	CONV., SPT. CPE.	right, lower (20 $\frac{1}{8}$ long, w/lining)	4608082	1	2.17
53-54	CONV., SPT. CPE.	left, lower (20 $\frac{1}{8}$ long, w/lining)	4608083	1	2.17
50-52	CONV., BEL AIR	WEATHERSTRIP, at lock ( $9\frac{3}{8}$ x $1\frac{1}{16}$ —w/lip)	4586795	2	.57
39-54	PASS.	SCREW, channel (No. 8—15 x $\frac{3}{8}$ flat cross recess hd., sheet metal)	431601	4	(8.977)

\*NOTE: 4045914, 4074354 and 4075477 do not include clips or retainer. Screw part No. 431601 must be used for attaching.

#### 10.702 CAP, Front Door Window Glass Run Channel

42-52	CONV., BEL AIR	right	4595985	1	.82
42-52	CONV., BEL AIR	left	4595986	1	.82

#### 10.703 RETAINER, Front Door Glass Run Channel

39-48	PASS. (exc. STA. WAG.)	front door wind. glass run channel, lower	4103233	2	.27
49-52	PASS. (exc. CONV., B-A)	lower ( $1\frac{1}{8}$ wide x $18\frac{1}{8}$ long)	4616215	2	.50
53-54	4-DOOR, SDL	lower ( $16\frac{3}{4}$ long)	4616221	2	.30
53-54	1011-27-1211-27-27B	lower ( $15\frac{3}{4}$ long)	4616225	2	.30
54	1011-1211	lower	4643072	2	.50

#### RETAINER—SCREW, Side Roof Rail Weatherstrip

50-52	BEL AIR	right (on w/s side rail)	4600746	1	1.13
50-52	BEL AIR	left (on w/s side rail)	4600747	1	1.13
50-51	BEL AIR	right (over door only)	4600748	1	2.53
50-51	BEL AIR	left (over door only)	4600749	1	2.53
50-52	BEL AIR	SCREW, retainer attaching (No. 8—15 x $\frac{1}{2}$ )	111633	A.R.	(8.977)

NOTE: Retainers for 1950 over quarter windows are listed in group 11.024

#### 10.704 STUD, Door Window Division Channel Adjusting

39-52	PASS. (exc. CONV., B-A),	lower support (adjusting)	4090062	2	.12
53-54	PASS. (exc. CONV., SPT. CPE.)	lower support	4090580	2	.12
40-52	CONV., BEL AIR,	lower support	4084009	2	.06
53-54	CONV., SPT. CPE.	lower support			
38	PASS. (exc. CONV.),	lower support			
41-52	CONV., BEL AIR,	lower support			
53	CONV., SPT. CPE.	lower support			

#### STUD, Door Ventilator

50-52	CONV., BEL AIR,	(front support adjusting)	4590302	2	.10
53-54	CONV., SPT. CPE.	(front support adjusting)			

#### 10.707 MOULDING, Front Door Window Reveal

40	1011	right	4105724	1	2.85
40	1011	left	4105725	1	2.85
40	1019	right	4105726	1	2.52
40	1019	left	4105727	1	2.52
41-47	1011	right	4114302	1	2.85
41-47	1011	left	4114303	1	2.85
41-47	1019	right	4114306	1	2.52
41-47	1019	left	4114307	1	2.52
41-47	1027-27B	right	4114304	1	2.85
41-47	1027-27B	left	4114305	1	2.85
41-48	1069	right	4120837	1	6.95
41-48	1069	left	4120838	1	6.95
42-48	1007	right	4125710	1	6.95
42-48	1007	left	4125711	1	6.95
48	1011	right	4162523	1	3.12



48	1011	left	4162524	1	3.12
48	1027	right	4162525	1	3.12
48	1027	left	4162526	1	3.12
48	1019	right	4162527	1	2.73
48	1019	left	4162528	1	2.73
49-51	1008	right	4560783	1	2.13
49-51	1008	left	4560784	1	2.13
49-52	1011	right	4560568	1	2.30
49-52	1011	left	4560569	1	2.30
49-52	1027	right	4560570	1	2.30
49-52	1027	left	4560571	1	2.30
49-52	1069	right	4560584	1	2.13
49-52	1069	left	4560585	1	2.13
49-52	1007	right	4560781	1	2.30
49-52	1007	left	4560782	1	2.30
53-54	1011WD	right, header	4606860	1	2.60
53-54	1011WD	left, header	4606861	1	2.60
53-54	1011WD	right, upper (28 $\frac{1}{8}$ long)	4607637	1	2.95
53-54	1011WD	left, upper (28 $\frac{1}{8}$ long)	4607638	1	2.95
53-54	1011WD	right, lower (28 $\frac{1}{8}$ long)	4608087	1	3.85
53-54	1011WD	left, lower (28 $\frac{1}{8}$ long)	4608088	1	3.85
53-54	1011W-11WA-27	right	4595502	1	2.30
53-54	1011W-11WA-27	left	4595503	1	2.30
53-54	1011WD-69WD	right, front	4603643	1	7.90
53-54	1011WD-69WD	left, front	4603644	1	7.90
53-54	1069W	right	4595504	1	2.30
53-54	1069W	left	4595505	1	2.30
53-54	1069WD	right, header	4603838	1	2.60
53-54	1069WD	left, header	4603837	1	2.60
53-54	1069WD	right, upper (21 $\frac{3}{8}$ long)	4603631	1	2.80
53-54	1069WD	left, upper (21 $\frac{3}{8}$ long)	4603632	1	2.80
53-54	1069WD	right, lower (21 $\frac{3}{8}$ long)	4603793	1	3.80
53-54	1069WD	left, lower (21 $\frac{3}{8}$ long)	4603794	1	3.80
53-54	CONV., SPT. CPE	right, lower (41 $\frac{1}{2}$ long)	4611196	1	5.95
53-54	CONV., SPT. CPE	left, lower (41 $\frac{1}{2}$ long)	4611197	1	5.95

**10.708 CLIP—ESCUTCHEON, Door Window Reveal Moulding**



4114230



4114324



4105730



4561940

40	Ser. 1000 (exc. CONV.)		4108730	A.R.	.02
41-48	1011-19-27-27B	(for oblong holes)	4114230	A.R.	.02
41-48	PASS. (exc. SDL.)	(for round holes)	4114324	A.R.	.02
49-52	1007-08-11-27-69	front and rear doors	4561940	36	.04
53-54	1011W-11WA-27-69W	front and rear doors (wing type)	4608220	A.R.	.04
53-54	1011W-11WA-27-69W	front door, rear (bottom $\frac{1}{2}$ wide)			
53-54	1069W	rear door, front and rear	4608219	A.R.	.04
53-54	1011WD-69WD	header mldg. ( $\frac{3}{8}$ wide, w/c'sunk tapped hole)	4604329	A.R.	.05
54	1011WA	front door, rear ( $\frac{1}{2}$ x 1)	4595404	A.R. (11.031)	
41-48	1007-69	ESCUTCHEON, right front and left rear	4110845	1	.06
41-48	1007-69	ESCUTCHEON, left front and right rear	4110844	1	.06
	Not required in this group—see group (11.031)		4099659		.06

**10.710 WEATHERSTRIP, Front Door Window Outer**

37-54	PASS.	( $\frac{7}{16}$ wide x 35 $\frac{3}{4}$ long, w/chrome beads)	4102157	2	1.25
46-48	STA. WAG.	on door belt	4161820	A.R.	.57
37-54	PASS.	SCREW, w/strip (No. 8—15 x $\frac{3}{8}$ flat cross recess hd., sheet metal)	431601	A.R. (8.977)	

**10.712 CLIP, Door Window Outer Weatherstrip**

39-48	PASS. (exc. 1007-61-67-69)		4113415	A.R.	.03
-------	----------------------------	--	---------	------	-----

**10.715 PLATE, Front Door Glass**

42-52	CONV., BEL AIR	stop adjusting	4614039	4	.58
53-54	CONV., SPT. CPE.	stop adjusting	4608301	4	.27
52	CONV., BEL AIR,				
53-54	CONV., SPT. CPE.	SCREW, stop adjusting plate (No. 10-32)	4613777	4	.08

**10.718 BUMPER, Front Door Window Stop**

41-52	PASS. (exc. CONV., B-A, 1061),				
53-54	PASS. (exc. CONV., SPT. CPE.)	(molded 4131052)	4131052	A.R.	.08
41-52	CONV., BEL AIR,				
53-54	CONV., SPT. CPE.	(molded 4609684)	4609684	2	.08

**10.721 WEATHERSTRIP—GASKET—SLEEVE, Side Roof Rail**

50	BEL AIR (1st type)	right, front body hinge pillar and side roof rail (molded 4590305)	4605527	1	9.63
50	BEL AIR (1st type)	left, front body hinge pillar and side roof rail (molded 4590306)	4605528	1	9.63

NOTE: 4605527-8 consists of upper hinge pillar w/strip vulcanized to full length side roof rail w/strip.

50-51	BEL AIR (2nd type)	left, includes body hinge pillar section	4600738*	1	4.25
50-51	BEL AIR (2nd type)	right, includes body hinge pillar section	4600737*	1	4.25

\*NOTE: 4600737-38 consists of upper hinge pillar vulcanized to front side roof rail w/strip runs to quarter window.

52	BEL AIR	sealing—right (over door only—flipper type)	4615503	1	7.68
52	BEL AIR	sealing—left (over door only—flipper type)	4615504	1	7.68
52	BEL AIR	right, body hinge pillar—upper, and inner corner (molded 4600733)	4610963	1	2.43
52	BEL AIR	left, body hinge pillar—upper, and inner corner (molded 4600734)	4610964	1	2.43
52	BEL AIR	right, body hinge pillar—upper outer corner (molded 4616479)	4616479	1	.35
52	BEL AIR	left, body hinge pillar—upper outer corner (molded 4616480)	4616480	1	.35
53-54	SPT. CPE.	R., sealing (over door only—flipper type)	4615011	1	7.88
53-54	SPT. CPE.	L., sealing (over door only—flipper type)	4615012	1	7.88
53-54	SPT. CPE.	R., front corner outer (molded 4615469)	4615469	1	.57
53-54	SPT. CPE.	L., front corner outer (molded 4615470)	4615470	1	.57
52	BEL AIR	GASKET, right, side roof rail w/strip—upper (56½ long)	4610961	1	1.58
52	BEL AIR	GASKET, left, side roof rail w/strip—upper (56½ long)	4610962	1	1.58
52	BEL AIR	GASKET, right, side roof rail w/strip—lower (30¼ long)	4611214	1	.73
52	BEL AIR	GASKET, left, side roof rail w/strip—lower (30¼ long)	4611215	1	.73
53-54	SPT. CPE.	GASKET, right, weatherstrip (molded 4615527)	4615527	1	.73
53-54	SPT. CPE.	GASKET, left, weatherstrip (molded 4615528)	4615528	1	.73
52	BEL AIR,				
53-54	SPT. CPE.	SLEEVE, striker (nylon)	4614586	2	.08

**10.724 SCREW, Door Window Weatherstrip Retainer**

33-48	PASS. (exc. 1940 CONV., STA. WAG.)	front (No. 6-32 x ½ oval head, tapping—chrome)	4090730	2	.02
-------	------------------------------------	--	---------	---	-----

**10.726 BUMPER, Door Window Glass Roller**

31-33	CONV., PHAETON,				
33	559-567-579,				
35	1001-11-17-57-1201-09A	roller type, on regulator board (bracket height to ctr. of roller ¼ x 1½ wide)	4009214	2	.48
36	1001-09-11-19-1201-09-11-19-67				
31-33	CONV., PHAETON,				
33	551-59-67-78,				
35	1001-11-17-71,				
36	1017-57-1217	roller type on belt bar (bracket height to center of roller ¼ x 1½ wide),			
37-52	CONV., BEL AIR	outer	4091152	4	.72
53-54	CONV., SPT. CPE.				

36	1001-09-11-19-1201-09-11-19.....	rear door ( $1\frac{1}{2}$ dia. x 1 high for garnish mldg.).....	3693292	A.R.	(10.283)
40-46	PASS. (exc. STA. WAG.).....				
53-54	CONV., SPT. CPE.....	inner ( $1\frac{1}{2}$ wide, brkt. height to ctr. of roller $1\frac{1}{2}$ ).....	4591566	2	.72

**10.728 GUIDE—WASHER—BOLT, Door Window**

40-48	CONV.....		4102385	2	.70
49-50	CONV., BEL AIR.....		4562386	2	.70
51-52	CONV., BEL AIR.....		4592553	2	.70
42-48	CONV.....	WASHER, guide to door.....	120423	2	(8.932)
41-52	PASS. (exc. STA. WAG.).....	BOLT, guide to support req. ( $\frac{1}{4}$ —20 x $\frac{3}{16}$ ).....	431791	A.R.	(8.907)

**10.741 GLASS, Rear Door (safety)**

37-38	1009-19-1209-19.....		4081846	2	10.25
39	1009-19-1209-19.....		4090076	2	10.25
40	1019-1219-1519.....		4102077	2	11.15
41-48	1019-1219.....		4115830	2	10.75
41-48	1069.....		4122413	2	8.00
46-48	STA. WAG.....		3682480	2	8.29
49-52	1069-1269.....		4559296	2	10.75
49-51	1008-1208.....		4560991	2	11.72
49-52	1062.....		4566723	2	16.26
49	1061.....		4566724	2	15.72
49-52	1269.....	stationary section.....	4560096	2	3.80
49-51	1208.....	stationary section.....	4570656	2	2.86
53-54	1069-1269-69W.....		4600533	2	12.95
53-54	STA. WAG. (exc. 1262F).....		4603271	2	15.58
53-54	1262F.....		4603539	2	13.06
52	1069-1269.....	(tinted).....	4611358	2	11.95
52	STA. WAG.....	(tinted).....	4611363	2	17.63
52	1269.....	(tinted) stationary section.....	4614736	2	4.74
53-54	1069-1269-69W.....	(tinted).....	4615088	2	14.50
53-54	STA. WAG.....	(tinted).....	4612522	2	16.89

**10.747 CHANNEL, Rear Door Window Lower Sash**

36	1209-19.....	right, less cam (steel doors) ( $20\frac{1}{2}$ long) ..	4063502	1	(10.685)
36	1209-19.....	left, less cam (steel doors) ( $20\frac{1}{2}$ long) ...	4063503	1	(10.685)
37-38	1009-19-1209-19.....	right, less cam ( $32\frac{3}{4}$ long).....	4082083	1	(10.685)
37-38	1009-19-1209-19.....	left, less cam ( $32\frac{3}{4}$ long).....	4082084	1	(10.685)
39	1009-19-1209-19.....	right.....	4090077	1	1.17
39	1009-19-1209-19.....	left.....	4090078	1	1.17
40	1019-1219-1519.....	right, with cam ( $22\frac{3}{8}$ long).....	4102078	1	1.27
40	1019-1219-1519.....	left, with cam ( $22\frac{3}{8}$ long).....	4102079	1	1.27
41-48	1019-1219.....	right, less cam ( $24\frac{3}{4}$ long).....	4115134	1	.82
41-48	1019-1219.....	left, less cam ( $24\frac{3}{4}$ long).....	4115135	1	.82
41-52	1069.....				
49-52	1269.....	right, less cam ( $18\frac{7}{8}$ long).....	4561136†	1	.98
41-52	1069.....				
49-52	1269.....	left, less cam ( $18\frac{7}{8}$ long).....	4561137†	1	.98

†NOTE: Cut-off and drill holes using old channel as guide.

46-48	STA. WAG.....	right, with cam ( $24\frac{5}{8}$ long).....	3847288	1	1.17
46-48	STA. WAG.....	left, with cam ( $24\frac{5}{8}$ long).....	3847289	1	1.17
49-51	1008-1208.....	right, less cam ( $23\frac{1}{8}$ long).....	4562665	1	1.10
49-51	1008-1208.....	left, less cam ( $23\frac{1}{8}$ long).....	4562666	1	1.10
49-52	STA. WAG.....	right, less cam ( $30\frac{1}{8}$ long).....	4562334	1	.82
49-52	STA. WAG.....	left, less cam ( $30\frac{1}{8}$ long).....	4562335	1	.82
53-54	1069-1269-69W.....	right, less cam ( $27\frac{1}{8}$ long) ( $17\frac{1}{8}$ between outer edges of cam supports).....	4598518	1	.98
53-54	1069-1269-69W.....	left, less cam ( $27\frac{1}{8}$ long) ( $17\frac{1}{8}$ between outer edges of cam supports).....	4598519	1	.98
53-54	STA. WAG.....	right, less cam ( $27\frac{1}{8}$ long) (14 between outer edges of cam supports).....	4598522†	1	.82
53-54	STA. WAG.....	left, less cam ( $27\frac{1}{8}$ long) (14 between outer edges of cam supports).....	4598523†	1	.82

†NOTE: When necessary, cut off new sash channel using old channel as guide. Rubber w/strip should protrude  $\frac{1}{16}$  in. beyond ends.

29-54	PASS.....	FILLER (.032 thick x 1½ wide—60 ft. roll)....	603954	A.R.	(10.696)
29-54	PASS.....	FILLER (.047 thick x 1½ wide—40 ft. roll)....	603955	A.R.	(10.696)
38	4-DOOR.....	WEATHERSTRIP, sash channel, lower (1½ high x 36 long).....	4099014*	2	(10.696)
37-48	4-DOOR (exc. 1938).....	WEATHERSTRIP, sash channel, lower (1½ high x 36 long).....	4099013*	2	(10.696)

\*NOTE: Using old weatherstrip as a guide, trim lip to contour of outer door panel and where necessary, make cut-out to clear brace.

33-48	PASS. (exc. STA. WAG.).....	SCREW, sash to cam (No. 8—32 x ¾ binding head, self tapping).....	179311	8	(8.977)
-------	-----------------------------	--	--------	---	---------

**10.748 CAM, Rear Door Window Lower Sash Channel**

37-38	1009-19-1209-19,	(1 x 22¾ long, less holes) (cut to size and drill).....	4099974	A.R.	(11.046)
41-48	1019-69-1219.....				
49-54	1008-69-1208-69-69W.....				

**10.749 STUD, Rear Door Window Sash Channel**

39	1009-19-1209-19.....	guide (11¾ long).....	4084009	2	(10.704)
----	----------------------	-----------------------	---------	---	----------

**10.759 CHANNEL—SUPPORT—RETAINER—SCREW, Rear Door Window Glass**

33-39	PASS.....	universal (½ wide 36 long).....	609528	A.R.	(10.701)
33-48	4-DOOR.....	rear door upper,			
34-35	SDL.....	back door upr. (w/chrome bead 55-long),			
49-52	1008-61-69-1208-69.....	rear door.....	4045914*	A.R.	(10.701)
39-40	4-DOOR.....	right or left upper (82 long),			
49-54	STA. WAG. (exc. 1061).....	rear door upper (w/chrome bead),			
53-54	1069-1269.....	rear door rear.....	4075477*	2	2.20
49-52	STA. WAG.....	rear dr. front and rear slide.....	4074354*	A.R.	(10.701)
53-54	1069-1269-69W.....	front, lower (15¾ long).....	4606055	2	.70
53-54	STA. WAG.....	front, lower (15½ long).....	4606056	2	.70
53-54	STA. WAG.....	rear, lower (14¾ long).....	4606058	2	.70

\*NOTE: Part Nos. 4074354, 4045914 and 4075477 do not include clips or retainer.

41-42	4-DOOR.....	SUPPORT, channel, lower.....	4103233	2	(10.703)
49-52	1069-1269.....	RETAINER, channel, lower (1½ wide x 19¾ long).....	4616213	2	.80
53-54	1069-1269-69W.....	RETAINER, right (11¾ long).....	4616229	1	.40
53-54	1069-1269-69W.....	RETAINER, left (11¾ long).....	4616230	1	.40
40-54	4-DOOR.....	SCREW, channel (No. 8—15 x ¾ flat cross recess head, sheet metal).....	431601	1	(8.977)

**10.772 MOULDING, Rear Door Window Reveal**

41-47	1019.....	right.....	4114308	1	2.52
41-47	1019.....	left.....	4114309	1	2.52
41-48	1069.....	right.....	4120853	1	5.97
41-48	1069.....	left.....	4120854	1	5.97
48	1019.....	right upper.....	4162531	1	.98
48	1019.....	left upper.....	4162532	1	.98
48	1019.....	right lower.....	4162533	1	.98
48	1019.....	left lower.....	4162534	1	.98
49-52	1069.....	right.....	4560682	1	2.13
49-52	1069.....	left.....	4560683	1	2.13
49-51	1008.....	right.....	4561185	1	2.30
49-51	1008.....	left.....	4561186	1	2.30
53-54	1069W.....	right (32 O.L.).....	4595506	1	1.93
53-54	1069W.....	left (32 O.L.).....	4595507	1	1.93
53-54	1069WD.....	right, header (32 O.L.).....	4603760	1	2.13
53-54	1069WD.....	left, header (32 O.L.).....	4603761	1	2.13
53-54	1069WD.....	right, upper.....	4628184	1	2.95
53-54	1069WD.....	left, upper.....	4628185	1	2.95
53-54	1069WD.....	right, lower (21¾ O.L.).....	4628186	1	3.35
53-54	1069WD.....	left, lower (21¾ O.L.).....	4628187	1	3.35
53-54	1069WD.....	right, rear (10½ across bottom).....	4628182	1	8.25
53-54	1069WD.....	left, rear (10½ across bottom).....	4628183	1	8.25
40	Ser. 1000 (exc. CONV.).....	CLIP, reveal moulding.....	4105730	A.R.	(10.708)
41-48	1011-19-27-27B.....	CLIP, reveal mldg. (for oblong holes).....	4114230	A.R.	(10.708)
41-48	PASS. (exc. STA. WAG., SDL).....	CLIP, reveal mldg. (for round holes).....	4114324	A.R.	(10.708)
41-48	1069.....	ESCUTCHEON, right.....	4110844	1	(10.708)
41-48	1069.....	ESCUTCHEON, left.....	4110845	1	(10.708)



**10.774 WEATHERSTRIP, Rear Door Window, Outer**

37-39	1009-19-1209-19,			
40	1019-1219-1519,			
41-48	1019-1219,			
49-54	PASS.	outer (35 $\frac{3}{4}$ long).....	4102157	2 (10.710)
46-48	STA. WAG.	on door belt.....	4161820	A.R. (10.710)
37-54	PASS.	SCREW, w/strip (No. 8-15 x $\frac{3}{8}$ flat cross recess hd., sheet metal).....	431601	A.R. (8.977)

**10.777 ELECTRIC WINDOW LIFT PARTS**

54	Ser. 1000	BREAKER, circuit.....	4603696	1	1.89
54	Ser. 1000	COVER, right frt. dr. inner panel switch.....	4645237	1	.25
54	Ser. 1000	COVER, left frt. dr. inner panel switch.....	4645238	1	.25
54	Ser. 1000	SWITCH, right frt. dr. (one button).....	4634122	2	2.35
54	Ser. 1000	SWITCH, left frt. dr. (two button).....	4644663	1	4.25
54	Ser. 1000	ESCUTCHEON, right frt. dr. window switch....	4634125	1	2.00
54	Ser. 1000	ESCUTCHEON, left frt. dr. window switch....	4644664	1	2.00
54	Ser. 1000	ESCUTCHEON, front seat switch.....	4630843	1	1.20
54	Ser. 1000	RETAINER, lift switch (one button).....	4557922	1	.13
54	Ser. 1000	RETAINER, lift switch (two button).....	4644667	1	.20
54	Ser. 1000	CONNECTOR, reg. motor lead wire.....	5295456	3	
54	Ser. 1000	CLIP, frt. dr. switch retainer.....	4154886	14	.10

**10.783 REGULATOR—MOTOR—CONDUIT—GEAR, Front Door Window**

34-36	34568-78-607, 351001-11-17-57-1207- 07A, 361001-11-17-57-1201-11-17-67..	left, composite door.....	4062788	1	4.75
34-36	34568-78-607, 351001-11-17-57-1207- 07A, 361001-11-17-57-1201-11-17-67..	right, composite door.....	4062789	1	4.75
35-36	351009-19, 361009-19-1209-19-71.....	right, composite door.....	4067226	1	3.30
35-36	351009-19, 361009-19-1209-19-71.....	left, composite door.....	4067227	1	3.30
37-38	1001-11-17-67-87-1201-11-17.....	right.....	4073926	1	4.75
37-38	1001-11-17-67-87-1201-11-17.....	left.....	4073927	1	4.75
37-38	1009-19-1209-19-71.....	left.....	4073928	1	4.22
37-38	1009-19-1209-19-71.....	right.....	4073929	1	4.22
39	1001-11-17-27-1201-11-17.....	right.....	4090151	1	4.75
39	1001-11-17-27-1201-11-17.....	left.....	4090152	1	4.75
39	1009-19-1209-19-71.....	right.....	4090153	1	4.22
39	1009-19-1209-19-71.....	left.....	4090154	1	4.22
40	1011-17-27-67-1211-17-1511-17-27.....	left.....	4102309	1	4.75
40	1011-17-27-67-1211-17-1511-17-27.....	right.....	4102310	1	4.75
40	1019-1219-71-1519-71.....	left.....	4102305	1	4.22
40	1019-1219-71-1519-71.....	right.....	4102306	1	4.22
41	PASS. (exc. 1019-69-1219-71).....	right.....	4114316	1	4.75
41	PASS. (exc. 1019-69-1219-71).....	left.....	4114317	1	4.75
41-48	1019-1219-71.....	right.....	4114326	1	4.22
41-48	1019-1219-71.....	left.....	4114327	1	4.22
41	1069.....	right.....	4121431	1	4.40
41	1069.....	left.....	4121432	1	4.40
42-48	PASS. (exc. 4-DR., STA. WAG., SDL.).....	right.....	4125877	1	4.75
42-48	PASS. (exc. 4-DR., STA. WAG., SDL.).....	left.....	4125878	1	4.75
42-48	1069.....	right.....	4131135	1	4.40
42-48	1069.....	left.....	4131136	1	4.40
46-48	STA. WAG.....	right.....	3847274	1	5.20
46-48	STA. WAG.....	left.....	3847275	1	5.20
49-52	1008-69-1208-69-71.....	right, double arm type.....	4559558	1	5.38
49-52	1008-69-1208-69-71.....	left, double arm type.....	4559559	1	5.38
49-52	2-DR. (exc. STA. WAG., SDL.).....	right, double arm type.....	4561302	1	6.07
49-52	2-DR. (exc. STA. WAG., SDL.).....	left, double arm type.....	4561303	1	6.07
49	1061.....	right, double arm type.....	4564801	1	5.38
49	1061.....	left, double arm type.....	4564802	1	5.38
49-52	1062.....	right, double arm type.....	4564588	1	5.62
49-52	1062.....	left, double arm type.....	4564589	1	5.62
53-54	2-DOOR (exc. SDL.).....	right, double arm type.....	4596388	1	6.07
53-54	2-DOOR (exc. SDL.).....	left, double arm type.....	4596389	1	6.07
53-54	4-DOOR, SDL.....	right, double arm type.....	4594755	1	5.58
53-54	4-DOOR, SDL.....	left, double arm type.....	4594756	1	5.58
54	1011-37D-67D.....	right, less motor (w/elect. window lift)....	4644470	1	11.75

54	1011-37D-87D	left, less motor (w/elect. window lift)	4644471	1	11.75
54	1069-62D-62F	right, less motor (w/elect. window lift)	4644468	1	10.45
54	1069-62D-62F	left, less motor (w/elect. window lift)	4644469	1	10.45
54	Ser. 1000	MOTOR, right (w/elect. window lift)	5047766	1	19.20
54	Ser. 1000	MOTOR, left (w/elect. window lift)	5047767	1	19.20
54	Ser. 1000	CONDUIT, right frt. dr. hinge pillar (w/elect. window lift)	4636190	1	.75
54	Ser. 1000	CONDUIT, left frt. dr. hinge pillar (w/elect. window lift)	4636191	1	.75
54	Ser. 1000	GEAR (w/elect. window lift)	5094460	1	
41-54	PASS. (exc. STA. WAG.)	BOLT, req. to inner panel (1/4-20 x 3/8)	431791	A.R.	(8.907)

#### 10.791 REGULATOR, Rear Door Window

37-39	1009-19-1209-19	right	4081512	1	4.75
39	1009-19-1209-19	right	4090155	1	3.30
39	1009-19-1209-19	left	4090156	1	3.30
40	1019-1219-1519	right	4102307	1	3.30
40	1019-1219-1519	left	4102308	1	3.30
41-48	1019-1219	right	4110672	1	4.40
41-48	1019-1219	left	4110673	1	4.40
41-48	1069	left	4121547	1	4.40
41-48	1069	right	4121548	1	4.40
46-48	STA. WAG.	right	3847282	1	5.20
46-48	STA. WAG.	left	3847283	1	5.20
49-52	1008-69-1208-69	right	4561640	1	4.57
49-52	1008-69-1208-69	left	4561641	1	4.57
49-52	STA. WAG.	right	4563194	1	4.57
49-52	STA. WAG.	left	4563195	1	4.57
53-54	1069-1269-69W	right (ident. groove 3/16 from end of spindle)	4595036	1	5.35
53-54	1069-1269-69W	left (ident. groove 3/16 from end of spindle)	4595037	1	5.35
53-54	STA. WAG.	right (ident. groove 5/8 from end of spindle)	4600171	1	5.35
53-54	STA. WAG.	left (ident. groove 5/8 from end of spindle)	4600172	1	5.35
41-54	PASS. (exc. STA. WAG.)	BOLT, req. to inner panel (1/4-20 x 3/8)	431791	A.R.	(8.907)

#### 10.792 CAM, Door Window Regulator

37-39	PASS. (exc. 1009-19, 1209-19-71),	front door,			
40	1011-17-27-67-1211-17-1511-17-27	rr. dr. inner panel (1 1/16 x 7 1/4 w/nuts),			
49-54	STA. WAG.	inner panel cam	4079936	2	.40
53-54	CONV., SPT. CPE.	L. frt. dr. (1 1/16 x 7 5/16 w/nuts and plate)	4114473	1	.40
41-48	2-DOOR (exc. SDL)	R. rear (1 1/16 x 6 5/8, w/nuts and plate),			
41-48	1019-69-1219	L. front	4114452	1	.40
53-54	1011-27-1211-27-27B	L. rear (1 1/16 x 6 5/8, w/nuts and plate),			
41-48	1019-69-1219	R. front	4114451	1	.40
53-54	1011-27-1211-27-27B	right and left rear door (1 wide x 6 11/16 long)	4091249	2	.47
49-51	1008-1208	left and right front door (1 x 8 long),			
49-54	4-DOOR, SDL	left and right rear door	4091252	A.R.	.47
49-54	1069-1269-69W	right and left (1 1/16 x 6 1/8 long)	4074627	2	.40
49-52	PASS. (exc. 4-DOOR, SDL)				
41-54	PASS. (exc. STA. WAG.)	BOLT, cam assy. (1/4-20 x 3/16)	431791	A.R.	(8.907)

#### 10.794 SPRING, Door Window Regulator Coil

29-32	PASS. (exc. CONV., SDL)	front and rear doors			
31-33	SDL	front door,			
34	34578-607, 351207	front door			
38	381001-11-17-57-1207A	front door,			
41-48	1069	front door,			
37-38	4-DOOR	rear door,			
41-48	1019-1219	rear door (3/8 wide x 1 7/8 dia., 5 spiral coils)	4260009	A.R.	.27
32-33	32568-71, 33568,				
37-42	2-DOOR (exc. SDL)	front door	4025362	2	.40
33	33551-59-67-78	front and rear doors,			
34	PASS. (exc. 34607, 351207)	front and rear doors,			
35	351009-19-1201A-09A-71A	front and rear doors			
36	PASS.	front and rear doors,			
37-38	PASS.	front door,			
39-40	PASS.	front and rear doors,			
41-48	1019-1219-71	front door,			
41-48	1069	rear door (3/8 wide x 2 1/8 dia., 8 spiral coils)	4002976	A.R.	.27

**10.797 HANDLE, Door Window Regulator**

31-38	PASS.		4062068	A.R.	1.50
41-46	Ser. 1000,				
47	Ser. 1200	front and rear (white knob w/brown insert)	4147120	A.R.	1.50
39-41	PASS. (exc. 411000),				
42-48	Ser. 1200	front and rear (white knob)	4146766	A.R.	1.50
46-48	STA. WAG.,				
47-48	Ser. 1000	front and rear (white w/gold insert)	4161356	A.R.	1.50
49	PASS. (exc. STA. WAG.)	front and rear doors	3703831	A.R.	1.65
49	STA. WAG.	front and rear doors	4572295	4	1.50
50	Ser. 1000 (exc. STA. WAG.)	front and rear doors	3703833	A.R.	1.65
50	Ser. 1200	front and rear doors	3703832	A.R.	1.65
50	STA. WAG.	front doors	4582153	2	1.50
50	STA. WAG.	rear doors	4582154	2	1.50
51-52	Ser. 1000 (exc. STA. WAG.)	front and rear doors	3703835	A.R.	1.65
51-52	Ser. 1200	front and rear doors	3703834	A.R.	1.55
51-52	STA. WAG.	front doors	4601170	2	1.62
51-52	STA. WAG.	rear doors	4601171	2	1.50
53-54	Ser. 1000	front and rear doors (black knob w/chrome insert)	4619387	A.R.	1.50
53-54	Ser. 1200	front and rear doors (without insert)	4619388	A.R.	1.50
29-38	PASS.	RETAINER, handle (spring steel, hairpin type)	4260037	A.R.	(10.122)
37-38	PASS.	SPRING, handle tension ( $\frac{3}{4}$ O.D. x $1\frac{1}{2}$ long— 6 $\frac{1}{2}$ coils)	4073893	A.R.	(10.513)
37-38	PASS.	SPRING, handle escutcheon	4132476	A.R.	(10.666)
39	PASS.	SPRING, handle tension ( $\frac{3}{2}$ O.D. x $1\frac{1}{2}$ long— 13 coils)	4089633	A.R.	(10.513)
39-52	PASS.	RETAINER, handle (spring steel) (snap-on type)	4090144	A.R.	(10.513)

**10.805 ESCUTCHEON, Door Window Regulator Handle**

29-48	PASS. (exc. STA. WAG.)	(2 $\frac{3}{8}$ dia.) (used to protect worn trim)	4125997	A.R.	(10.515)
39-48	PASS. (exc. STA. WAG.)		4146889	A.R.	(10.515)
47-48	STA. WAG.		4161784	2	(10.515)
49	PASS. (exc. STA. WAG.)	bearing plate	4565043	A.R.	(10.515)
49-52	STA. WAG.		4531579	A.R.	(10.515)

**10.806 RETAINER—SPRING, Window Regulator Handle Escutcheon Plate**

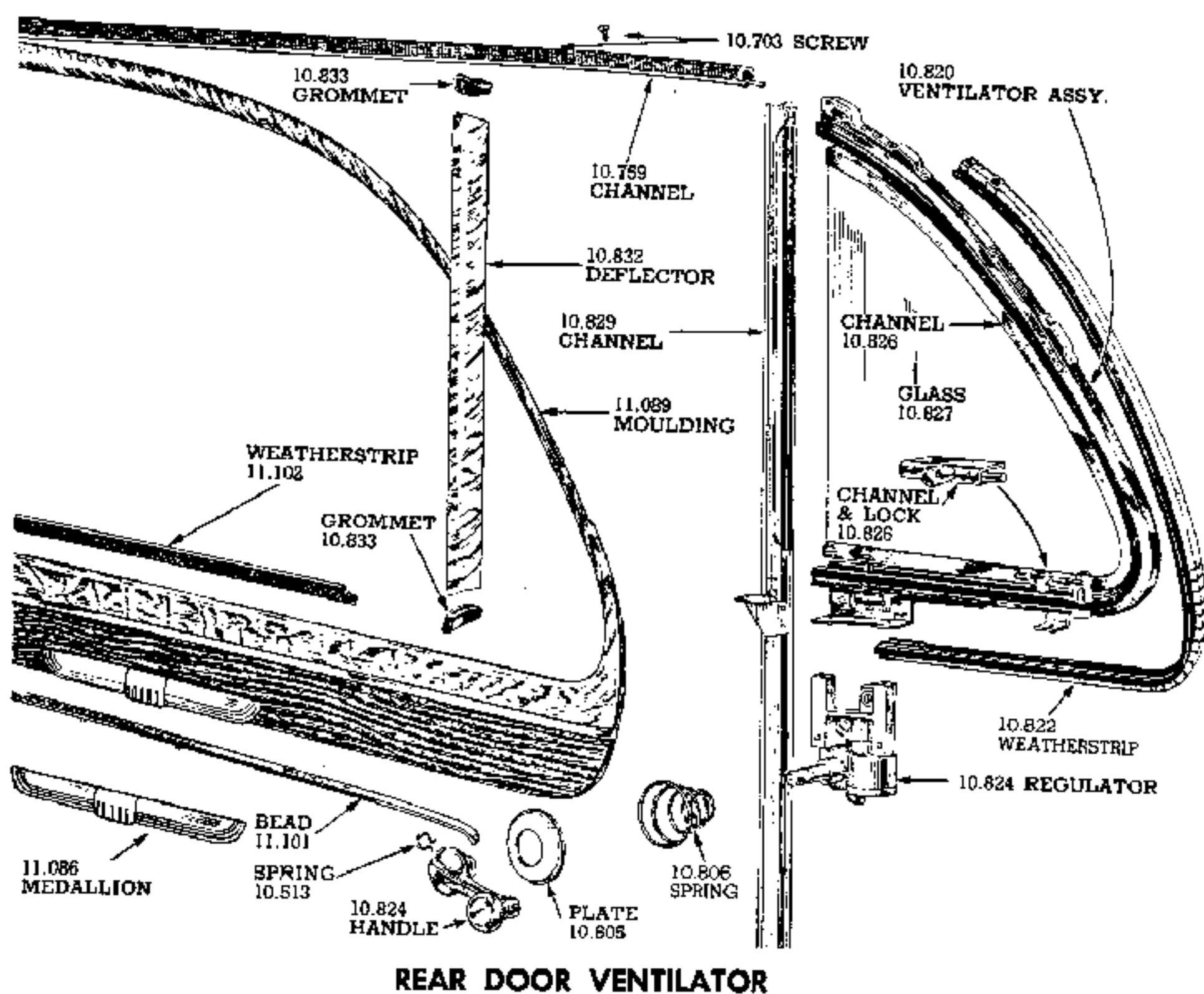
39-48	PASS.	RETAINER, handle (spring steel) (snap-on type)	4090144	A.R.	(10.513)
39-48	PASS. (exc. STA. WAG.)	SPRING (straight coil—5 turns)	4090162	A.R.	(10.666)
42-48	PASS. (exc. STA. WAG.)	SPRING (conical coil—5 turns) (use w/die cast regulator housing)	4078002	A.R.	(10.666)
49-52	PASS. (exc. STA. WAG.)	SPRING, front and rear,			
53-54	PASS.	front,			
53-54	4-DOOR (exc. STA. WAG.)	rear	4866746	A.R.	.10

**10.820 VENTILATOR ASSEMBLY, Rear Door**

41-48	1069	right, less regulator	4120820	1	11.95
41-48	1069	left, less regulator	4120821	1	11.95
49-51	1008	right, w/handle	4561624	1	11.95
49-51	1008	left, w/handle	4561625	1	11.95
49-52	1069	right, w/handle (less glass)	4611157	1	8.95
49-52	1069	left, w/handle (less glass)	4611158	1	8.95

**10.822 WEATHERSTRIP, Rear Door Ventilator**

41-48	1069	left	4128374	1	1.13
49	1069	right	4168187	1	1.42
49	1069	left	4168188	1	1.42
49	1008	right	4168189	1	1.42
49	1008	left	4168190	1	1.42
50-51	1008	right	4175692	1	1.70
50-51	1008	left	4175693	1	1.70
50-51	1069	right	4175694	1	1.70
50-51	1069	left	4175695	1	1.70
52	1069	right	4151532	1	1.70
52	1069	left	4151533	1	1.70



### REAR DOOR VENTILATOR

#### 10.824 REGULATOR, Rear Door Ventilator

41-48	1069	left	4099411	1	(10.661)
41-48	1069	right	4099412	1	(10.661)

#### HANDLE-CATCH, Rear Door Ventilator

42-48	1069	left and right (white knob w/brown insert)	4147119	2	(10.664)
47-48	1069	left and right (white knob w/gold insert)	4161357	2	(10.664)
49-52	1008-61-62-69	right	4167988*	1	(10.664)
49-52	1008-61-62-69	left	4167989*	1	(10.664)

\*NOTE: For internal parts for part numbers 4167988-9, see Group 10.660.

49-52	1069	CATCH, right	4176124	1	(10.659)
49-52	1069	CATCH, left	4176125	1	(10.659)
Not required in this group. See group 16.175			3696038		.03

#### 10.825 SHAFT-STOP, Rear Door Ventilator

49-52	1008-69	tee, right and left	4173480	2	.58
49-52	1008-69	STOP—lower ( $\frac{1}{8}$ thick)	4167994	2	.05
49	1008-69	STOP—upper ( $\frac{3}{4}$ thick)	4172436	2	.06

#### 10.826 CHANNEL, Rear Door Ventilator Glass

41-48	1069	right, with bearing cap and tee shaft	4128648	1	4.35
41-48	1069	left, with bearing cap and tee shaft	4128649	1	4.35
49-51	1008	right, w/handle, shaft and brg. stud	4167997	1	4.92
49-51	1008	left, w/handle, shaft and brg. stud	4167998	1	4.92
49-52	1069	right, w/handle, shaft and brg. stud	4167999	1	4.92



49-52	1069	left, w/handle shaft and brg. stud	4168000	1	4.92
49-52	1269	right, stationary glass (rubber) (molded 4577610)	4577610	1	2.38
49-52	1269	left, stationary glass (rubber) (molded 4577611)	4577611	1	2.38
49-51	1208	right, stationary glass (rubber) (molded 4577614)	4577614	1	2.55
49-51	1208	left, stationary glass (rubber) (molded 4577615)	4577615	1	2.55

**10.827 GLASS, Rear Door Ventilator**

41-48	1069		4122414	2	3.20
49-52	1069		4539589	2	3.83
49-51	1008		4560940	2	2.97
49-52	1269	stationary section	4560086	2	(10.741)
49-51	1208	stationary section	4570656	2	(10.741)
52	1069	(tinted)	4611354	2	4.08
52	1269	(tinted) stationary section	4614736	2	(10.741)

**10.829 CHANNEL—SCALP—WEATHERSTRIP, Rear Door Glass Division**

41-48	1069	right	4120896	1	3.55
41-48	1069	left	4120897	1	3.55
49-52	1069	right, w/retainer	4151740	1	3.87
49-51	1008	right	4604078	1	3.55
49-51	1008	left	4604079	1	3.55
49	1269	left	4577621	1	3.55
49-51	1208	right	4580637	1	2.98
49-51	1208	left	4580638	1	2.98
49-52	1269	right	4608487	1	3.55
49-52	1069	left, w/retainer	4151741	1	3.87
49-52	1269	left	4608488	1	3.55
52	1069	(glass run upper rear channel—use w/ 4151740-1)	4151540	2	.70
52	1069	SCALP, channel, right (outer)	4150496	1	.32
52	1069	SCALP, channel, left (outer)	4150497	1	.32
52	1069	WEATHERSTRIP, vent div. channel	4151541	2	.75
52	1069	RIVET, upr. glass run channel (1/4)	4190981	4	(10.686)
41-48	1069				
49	1008-69-1208-69	STUD, lower support	4090062	2	(10.704)

**10.832 DEFLECTOR, Rear Door Ventilator Air**

41-48	1069	right	4161373	1	2.03
41-48	1069	left	4161374	1	2.03
49	1069	right	4570271	1	1.68
49-51	1069	left	4593139	1	1.45
49-51	1008	right	4593134	1	1.45
49-51	1008	left	4593135	1	1.45
50	1069	right	4582214	1	1.45
50	1069	left	4582215	1	1.45
51-52	1069	right (grey)	4610207	1	1.45
52	1069	left (grey)	4610208	1	1.45

**10.833 GROMMET, Rear Door Ventilator Air Deflector**

41-52	1008-69	right, upper	4101912	1	.13
41-52	1008-69	left, upper	4101913	1	.13
41-52	1008-69	right, lower	4101914	1	.13
41-52	1008-69	left, lower	4101915	1	.13

**10.997 TUBE, Rear Quarter Ventilator Drain**

37-48	PASS. (exc. STA. WAG.)	(cut 31 long)	3691292	A.R.	(8.846)
49	1007-11-27-1207-11-27				
50-52	1027	(25 <sup>7</sup> / <sub>16</sub> long)	4563889	2	.48
50-52	1007-11-1207-11	(20 <sup>13</sup> / <sub>16</sub> long)	4592355	2	.90
49-52	CONV., BEL AIR	(4 <sup>1</sup> / <sub>2</sub> long)	4563255	2	.23
50-53	CONV.	lower (23 long)	4598258*	2	.30
53-54	1011-27-62-62D-1211-11W	rubber (24 O.L.)	4600975	2	.85

\*NOTE: To be used with plastic gutter 4598267-68.

**~ BLANK PAGE ~**

**~ BLANK PAGE ~**

# CHEVROLET MASTER PARTS CATALOG

YEAR	MODEL	PART NAME	PART NO.	NO. USED	LIST PRICE
<b>11.005 CHANNEL, Quarter Window Upper Sash</b>					
42-48	CONV.		4135038	2	8.98
49-52	CONV., BEL AIR		4170830	2	8.98
53-54	CONV.		4151675	2	8.98
53-54	SPT. CPE		4151694	2	10.40
53-54	SPT. CPE	REINFORCEMENT, upper to front channel	4150878	2	.70

## 11.007 CHANNEL, Quarter Window Lower Sash

34-35	34551-601, 351001-11-1201-01A	right, less cam (with roller bumper cutouts)	4063502	1	(10.685)
34-35	34551-601, 351001-11-1201-01A	left, less cam (with roller bumper cutouts)	4063503	1	(10.685)
37-39	1001-11-1201-11	right	4082083	1	(10.685)
37-39	1001-11-1201-11	left	4082084	1	(10.685)
40-48	1011-1211-1511	right	4102319	1	1.05
40	1011-1211-1511				
41-48	1011-1211	left	4102320	1	1.05
41	1019-27 (1st type)				
46-48	1019-27	right, with regulator and die cast handle	4114414	1	3.02
41	1019-27 (1st type)				
46-48	1019-27	left, with regulator and die cast handle	4114415	1	3.02
41-42	1019-27 (2nd type)	right, with regulator, less plastic knob	4125138	1	3.02
41-42	1019-27 (2nd type)	left, with regulator, less plastic knob	4125139	1	3.08
42-48	1007	right, with cam	4125717	1	1.05
42-48	1007	left, with cam	4125718	1	1.05
42-48	CONV.	right, front and lower	4135040	1	17.20
42-48	CONV.	left, front and lower	4135041	1	17.20
49-52	1007-11-1207-11	right, less cam 27 $\frac{1}{8}$ long	4561166	1	.70
49-52	1007-11-1207-11	left, less cam 27 $\frac{1}{8}$ long	4561167	1	.70
49-54	1011WA-27	right, with regulator	4114727	1	3.00
49-52	1027	left, with regulator	4602360	1	3.02
49-52	CONV., BEL AIR	right, front and lower (w/cam)	4177727	1	17.20
49-52	CONV., BEL AIR	left, front and lower (w/cam)	4177728	1	17.20
52	1027	right, with regulator	4602359	1	3.02
53-54	1011WA-27	left, with regulator	4114728	1	3.00
53-54	1011-1211	right (27 $\frac{1}{8}$ O.L.) (12 $\frac{1}{2}$ between outer edges of cam supports)	4598861	1	.70
53-54	1011-1211	left (27 $\frac{1}{8}$ O.L.) (12 $\frac{1}{2}$ between outer edges of cam supports)	4598862	1	.70
53-54	CONV.	right, front and lower	4150856	1	17.20
53-54	CONV.	left, front and lower	4150857	1	17.20
53	SPT. CPE	right, front and lower	4150642	1	16.75
53	SPT. CPE	left, front and lower	4150643	1	16.75

NOTE: When necessary cut off new channel using old channel as guide. Rubber w/strip should protrude  $\frac{1}{16}$  in. beyond ends.

53-54	SPT. CPE	STOP, right, lower sash channel	4151696	1	.25
53-54	SPT. CPE	STOP, left, lower sash channel	4151697	1	.25
29-54	PASS. (exc. STA. WAG.)	FILLER (.032 thick—1 $\frac{1}{2}$ wide—60 ft. roll)	603954	A.R.	(10.696)
29-54	PASS. (exc. STA. WAG.)	FILLER (.047 thick—1 $\frac{1}{2}$ wide—40 ft. roll)	603955	A.R.	(10.696)
37-39	1001-11-1201-11	CAM, lwr. channel (cut to size)	4099974	2	(11.046)
33-39	PASS.	SCREW, channel to cam (No. 8—32 x $\frac{5}{16}$ binding head) lwr. channel	179311	1	(8.977)
49-52	CONV., BEL AIR	SCREW, upr. channel (No. 8—32 x $\frac{1}{4}$ cross recess)	4579418	8	.05
53-54	CONV., SPT. CPE				
53-54	CONV.	SCREW, rear (No. 8—32 x $\frac{1}{4}$ cross recess)	4583356	2	.05

## 11.008 CHANNEL, Quarter Window Division

46-50	STA. WAG.	right, w/handle and w/strip (14 $\frac{3}{4}$ long)	3808250*	1	2.50
46-48	STA. WAG.	left, w/handle and w/strip	3847299	1	3.65
49-50	STA. WAG.	left, w/handle and w/strip (14 $\frac{3}{4}$ long)	3808249*	1	2.50

\*NOTE: When using 3808249-50 on 1949-50 models, cut and form stop same as on old channel.

51-54	1062-62D	stationary window (13 <sup>13</sup> / <sub>32</sub> long)	4598511	2	1.13
51-54	1062-62D	right, sliding window, w/handle (13 <sup>15</sup> / <sub>32</sub> long)	4593537	1	1.63
51-54	1062-62D	left, sliding window, w/handle (13 <sup>13</sup> / <sub>32</sub> long)	4593538	1	1.63
<b>11.009 GUTTER, Quarter Window</b>					
53-54	1062-62D	right, lower chnl. (32 <sup>5</sup> / <sub>8</sub> O.L.)	4616977	1	.65
53-54	1062-62D	left, lower chnl. (32 <sup>5</sup> / <sub>8</sub> O.L.)	4616978	1	.65
53-54	1062-62D	right, sliding window (w/weatherstrip)	4617546	1	3.10
53-54	1062-62D	left, sliding window (w/weatherstrip)	4617547	1	3.10
<b>11.010 LATCH—KNOB, Quarter Window</b>					
46-52	STA. WAG. (1st type)	right	3847300	1	1.30
46-52	STA. WAG. (1st type)	left	3847301	1	1.30
52-54	1062-62D (2nd type)	right w/knob	4613561	1	1.30
52-54	1062-62D (2nd type)	left w/knob	4613562	1	1.30
49-51	STA. WAG.	KNOB, sliding window	4568395	2	(10.559)
52	STA. WAG.	KNOB, sliding window (w/1st type latch)	4612705	2	(10.559)
<b>11.011 GLASS, Quarter Window (safety)</b>					
39	1001-11-1201-11		4090173	2	14.42
40	1011-1211-1511		4102317	2	16.18
41-48	1011-1211		4115808	2	14.98
41-48	1019		4115807	2	8.42
41-48	1027		4115811	2	9.60
41-48	1219		4117429	2	6.35
41-48	CPEB. (exo. 1027)		4117575	2	7.22
42-48	1007		4125274	2	11.38
42-48	CONV.		4132083	2	7.22
46-48	STA. WAG.	sliding	3682792	2	8.29
46-48	STA. WAG.	stationary	3682793	2	8.58
49-52	1011-1211		4561036	2	12.62
49-52	1027		4561939	2	8.48
49-52	1227-27B		4562015	2	7.06
49-52	1007-1207		4562221	2	12.62
49-52	CONV., BEL AIR		4562415	2	8.12
49-52	1062	stationary	4566725	2	8.12
49	1061	stationary	4566726	2	7.83
49-52	1062	sliding	4566727	2	8.12
49	1061	sliding	4566728	2	8.97
53	1011-1211,				
54	1011-1211W		4599419	2	12.25
53	1027		4601263	2	8.83
53	1227-27B		4601264	2	7.06
53-54	CONV.		4599953	2	8.12
53-54	SPT. CPE		4600839	2	8.43
53-54	1062F-1262F	stationary	4602745	2	11.80
53-54	1062-62D	stationary	4603277	2	7.12
53-54	1062-62D	sliding	4603275	2	8.63
54	1211WB	stationary	4644490	2	8.50
52	1007	(tinted)	4614734	2	14.26
52	1011-1211	(tinted)	4611359	2	13.68
52	1027	(tinted)	4614735	2	9.11
52	1227-27B	(tinted)	4614737	2	9.20
52	CONV., BEL AIR	(tinted)	4611361	2	8.75
52	STA. WAG.	(tinted) sliding	4611364	2	8.72
52	STA. WAG.	(tinted) stationary	4611365	2	8.72
53	1011-1211,				
54	1011-1211W	(tinted)	4612515	2	13.29
53	1027	(tinted)	4612516	2	9.46
53	1227-27B	(tinted)	4612524	2	9.20
53-54	CONV.	(tinted)	4612518	2	8.75
53-54	SPT. CPE	(tinted)	4612517	2	9.08
53-54	1062F-1262F	(tinted) stationary	4612521	2	14.50
53-54	1062-62D	(tinted) stationary	4612519	2	8.95
53-54	1062-62D	(tinted) sliding	4612520	2	9.31
54	1211WB	(tinted) stationary	4645036	2	9.20



**11.012 STOP—PLATE, Quarter Window Glass**

50-52	BEL AIR.....	right ( $\frac{5}{8}$ wide x $2\frac{7}{8}$ long).....	4578732	1	.28
50-52	BEL AIR.....	left ( $\frac{5}{8}$ wide x $2\frac{7}{8}$ long).....	4578733	1	.28
53-54	CONV.....	right, upper (L shape $1\frac{3}{4}$ wide).....	4602176	1	.33
53-54	CONV.....	left, upper (L shape $1\frac{3}{4}$ wide).....	4602177	1	.33
53-54	SPT. CPE.....	PLATE, stop adjusting.....	4614039	A.R.	(10.715)

**11.013 BUMPER, Quarter Window Glass**

33-35	33551, 351001-11-1201-01A.....	roller type, belt bar (bracket height to ctr. of roller $1\frac{1}{16}$ x $1\frac{1}{2}$ wide).....	4091152	2	(10.726)
41-54	1007-11-1207-11.....	stop window.....	4131052	2	(10.716)
42-52	CONV., BEL AIR.....	lower.....	4131772	2	.02
42-52	CONV., BEL AIR.....	upper, rubber ( $\frac{3}{32}$ x $1\frac{1}{16}$ x $\frac{3}{4}$ ).....	4132055	2	.06

**11.015 CHANNEL, Quarter Window Glass Rubber**

40	1017-1217-19-1517-19-27.....	right and left (ident. No. H72573).....	4102336	2	1.63
41-48	CPES. (exc. 1027).....	right and left (ident. No. H76309).....	4114992	2	2.60
41-48	1219.....	right and left (ident. No. H76310).....	4114993	2	2.27
49-54	1061-62-62D-62F.....	right and left stationary glass.....	4162630	2	(12.180)
49-52	1227-27B.....	right and left.....	4567736	2	1.87
53	1227-27B.....	stationary (SB $\frac{5}{8}$ dev. length).....	4597180	2	2.09
53-54	1062F-1262F.....	stationary (SB $\frac{1}{4}$ dev. length).....	4603465	2	3.33

**WEATHERSTRIP, Quarter Window Glass**

39	1001-11-1201-11,				
41-48	1007-11-1211.....	right and left ( $\frac{1}{16}$ wide x $35\frac{3}{4}$ long, with chrome beads).....	4102157	2	(10.710)
49-54	PASS. (exc. 1011WA-27).....	right outer.....	4114958	1	1.13
41-48	1027.....	left outer.....	4114959	1	1.13
42-48	CONV.....	right front (in frame) ( $12\frac{1}{2}$ long).....	4131887	1	1.42
42-48	CONV.....	left front (in frame) ( $12\frac{1}{2}$ long).....	4131898	1	1.42
46-48	STA. WAG.....	sliding window division channel.....	4161820	A.R.	(10.710)
49-52	1027.....	right, rear (molded 4562384) (rubber).....	4562384	1	.23
49-52	1027.....	left, rear (molded 4562385) (rubber).....	4562385	1	.23
49-52	1027.....	right, outer ( $54\frac{3}{4}$ dev. length) w/chrome bead.....	4562297	1	1.53
49-52	1027.....	left, outer ( $54\frac{3}{4}$ dev. length) w/chrome bead.....	4562298	1	1.53
49-52	CONV., BEL AIR.....	right (on front of window frame).....	4562592	1	1.87
49-52	CONV., BEL AIR.....	left (on front of window frame).....	4562593	1	1.87
49-52	CONV., BEL AIR.....	lower front, on lock pillar ( $1\frac{1}{16}$ wide x $1\frac{5}{8}$ long).....	4615019	2	.45
50-54	1062-62D.....	right, sliding or stationary ( $13\frac{11}{16}$ O.L.).....	4627098	2	.40
50-54	1062-62D.....	left, sliding or stationary ( $13\frac{11}{16}$ O.L.).....	4627099	2	.40
53-54	1011WA-27.....	right, outer.....	4596466	1	1.57
53-54	1011WA-27.....	left, outer.....	4596467	1	1.57
53-54	1011WA-27.....	rear (molded 4596441) (rubber).....	4596441	2	.23
53-54	CONV.....	right (front of window frame).....	4602953	1	1.87
53-54	CONV.....	left (front of window frame).....	4602954	1	1.87
53-54	SPT. CPE.....	right (front of window frame) ( $13\frac{3}{8}$ O.L.).....	4602583	1	1.87
53-54	SPT. CPE.....	left (front of window frame) ( $13\frac{3}{8}$ O.L.).....	4602584	1	1.87
53-54	SPT. CPE.....	right, inner upper chnl. ( $7\frac{3}{16}$ O.L.).....	4604327	1	1.15
53-54	SPT. CPE.....	left, inner upper chnl. ( $7\frac{3}{16}$ O.L.).....	4604328	1	1.15
53-54	CONV., SPT. CPE.....	lower front—on lock pillar ( $\frac{1}{2}$ x $1\frac{3}{16}$ x $1\frac{1}{8}$ ).....	4607180	1	.45
39-48	PASS. (exc. STA. WAG.).....	CLIP.....	4113415	A.R.	(10.712)
39-53	PASS.....	SCREW, w/strip (No. 8—15 x $\frac{3}{8}$ flat cross recess hd., sheet metal).....	431601	A.R.	(8.977)

**11.021 CHANNEL, Quarter Window Glass Run**

31-32	558-67.....	( $1\frac{5}{16}$ wide x $\frac{1}{2}$ high).....	4070069	2	(11.207)
33-39	PASS.....	universal ( $\frac{1}{2}$ wide x 36 long).....	609528	A.R.	(10.701)
33-34	551-601,				
35	1001-11-1201-01A,				
36	1001-09-11-19-1201-09-11-19,				
37-39	1001-11-1201-11.....	upper (with chrome bead—55 long).....	4045914	2	(10.701)

39	1009,					
39-48	1019-27,					
49-53	1027,					
54	1037D.....	right or left, front (21 $\frac{1}{8}$ O.L.).....	4597185	2		.17
41	1011-1211.....	lower,				
49-52	STA. WAG.....	sliding glass (w/chrome bead 38 $\frac{1}{4}$ long).	4074354	2	(10.701)	
40-54	1007-11-1207-11.....	upper (with chrome bead—82 long).....	4075477	2	(10.759)	
49-52	1062.....	right, sliding glass.....	4563364	1		7.87
49-52	1062.....	left, sliding glass.....	4563363	1		7.87
50	BEL AIR (1st type).....	upper right—attaches to roof rail (has one 1/2 dia. hole) (25 $\frac{1}{4}$ dev. length) ("L" shape—chrome and w/strip one side).....	4582964	1		3.00
50	BEL AIR (1st type).....	upper left—attaches to roof rail (has one 1/2 dia. hole) (25 $\frac{1}{4}$ dev. length) ("L" shape—chrome and w/strip one side).....	4582965	1		3.00
50-52	BEL AIR (2nd type).....	right, "U" shape—stainless steel (25 $\frac{1}{2}$ dev. length).....	4610957	1		8.62
50-52	BEL AIR (2nd type).....	left, "U" shape—stainless steel (25 $\frac{1}{2}$ dev. length).....	4610958	1		9.62
53-54	SPT. CPE.....	right, "U" shape—stainless.....	4601620	1		8.60
53-54	SPT. CPE.....	left, "U" shape—stainless.....	4601621	1		8.60
53-54	1062-62D.....	right, sliding, upper.....	4603070	1		9.62
53-54	1062-62D.....	left, sliding, upper.....	4603071	1		9.62
53-54	1062-62D.....	right, sliding, lower.....	4602704	1		2.08
53-54	1062-62D.....	left, sliding, lower.....	4602705	1		2.08
40-53	PASS.....	SCREW, channel (No. 8—15 x $\frac{9}{8}$ flat cross recess head, sheet metal).....	431601	A.R.	(8.977)	
51-52	BEL AIR.....	SCREW, sealing strip (No. 8—15 x $\frac{9}{8}$ ).....	4592154	12		.03

#### 11.024 RETAINER, Quarter Window Glass Channel

41-48	PASS. (exc. STA. WAG.).....	right and left.....	4103233	2	(10.703)	
49-52	1007-11-1207-11.....	right front and left rear.....	4586339	A.R.		.40
49-52	1007-11-1207-11.....	left front and right rear.....	4586340	A.R.		.40
50	BEL AIR.....	right (attaches to side roof rail).....	4588938*	1		2.82
50	BEL AIR.....	left (attaches to side roof rail).....	4588939*	1		2.82
53-54	1011-1211.....	right front and left rear (9 $\frac{5}{8}$ O.L.).....	4597940	2		.40
53-54	1011-1211.....	left front and right rear (9 $\frac{5}{8}$ O.L.).....	4597941	2		.40
53-54	1062-62D.....	upper front and lower rear.....	4603384	4		.22
53-54	1062F-1262F.....	upper.....	4628626	1		.15

\*NOTE: For 1st type 1950 see group 10.703.

#### 11.027 WEATHERSTRIP, Quarter Window Lower Sash Channel

37	1001-11-1201-11.....		4099013	2	(10.696)	
38-39	1001-11-1201-11,					
40-41	1011-1211-1511,					
42-54	1007-11-1207-11.....	rear quarter window.....	4099014*	2	(10.696)	

\*NOTE: Using old w/strip as a guide, trim to fit contour of rear quarter panel.

#### 11.030 WASHER, Rear Door Fender Shield

	Not required in this group. See groups 12.114-12.116.....		4563621	10		.05
	Not required in this group. See groups 12.114-12.116.....		4563622	10		.05

#### 11.031 MOULDING, Quarter Window Reveal

41-47	1011.....	right.....	4114310	1		2.52
41-47	1011.....	left.....	4114311	1		2.52
41-47	1019.....	right.....	4114314	1		2.18
41-47	1019.....	left.....	4114315	1		2.18
41-47	1027-27B.....	right.....	4114312	1		2.18
41-47	1027-27B.....	left.....	4114313	1		2.18
42-48	1007.....	right.....	4125712	1		5.37
42-48	1007.....	left.....	4125713	1		5.37

48	1019	right.	4162535	1	2.18
48	1019	left.	4162536	1	2.18
48	1011	right.	4162537	1	3.12
48	1011	left.	4162538	1	3.12
48	1027	right.	4162539	1	2.47
48	1027	left.	4162540	1	2.47
49-52	1011	right.	4561151	1	1.92
49-52	1011	left.	4561152	1	1.92
49-52	1027	right.	4561731	1	1.70
49-52	1027	left.	4561732	1	1.70
49-52	1007	right.	4561910	1	1.92
49-52	1007	left.	4561911	1	1.92
50-52	BEL AIR	right, upper (attaches to roof rail)	4610955	1	6.29
50-52	BEL AIR	left, upper (attaches to roof rail)	4610956	1	6.29
53-54	1011WD	right, upper (25 $\frac{3}{4}$ dev. length)	4617002	1	3.15
53-54	1011WD	left, upper (25 $\frac{3}{4}$ dev. length)	4617003	1	3.15
53-54	1011WD	right, lower (30 $\frac{1}{4}$ O.L.)	4617070	1	3.75
53-54	1011WD	left, lower (30 $\frac{1}{4}$ O.L.)	4617071	1	3.75
53-54	1011WD	right, rear (3 $\frac{1}{4}$ wide at base)	4617088	1	3.75
53-54	1011WD	left, rear (3 $\frac{1}{4}$ wide at base)	4617089	1	3.75
53-54	1011WD	right, front header (26 $\frac{1}{4}$ dev. length)	4616705	1	1.55
53-54	1011WD	left, front header (26 $\frac{1}{4}$ dev. length)	4616706	1	1.55
53-54	1011WD	right, rear header (7 $\frac{3}{8}$ wide at base)	4617090	1	3.15
53-54	1011WD	left, rear header (7 $\frac{3}{8}$ wide at base)	4617091	1	3.15
53-54	1011W-11WA	right, front (28 dev. length)	4595398	1	1.60
53-54	1011W-11WA	left, front (28 dev. length)	4595399	1	1.60
53-54	1011W-11WA	right, rear (5 $\frac{7}{8}$ wide at base)	4595973	1	2.40
53-54	1011W-11WA	left, rear (5 $\frac{7}{8}$ wide at base)	4595974	1	2.40
53-54	1027	right, front (23 dev. length)	4596120	1	1.45
53-54	1027	left, front (23 dev. length)	4596121	1	1.45
53-54	1027	right, rear (5 $\frac{11}{16}$ wide at base)	4596463	1	2.25
53-54	1027	left, rear (5 $\frac{11}{16}$ wide at base)	4596464	1	2.25
53-54	1069WD	right, upper, side qtr. panel (10 $\frac{3}{8}$ wide at base)	4603611	1	3.95
53-54	1069WD	left, upper, side qtr. panel (10 $\frac{3}{8}$ wide at base)	4603612	1	3.95
53-54	1069W	right, rear (4 $\frac{1}{8}$ wide at base)	4595971	1	2.25
53-54	1069W	left, rear (4 $\frac{1}{8}$ wide at base)	4595972	1	2.25
53-54	1067D	right, lower (32 $\frac{1}{8}$ O.L.)	4612685	1	5.50
53-54	1067D	left, lower (32 $\frac{1}{8}$ O.L.)	4612686	1	5.50
53-54	SPT. CPE	right, lower (17 $\frac{3}{4}$ O.L.)	4611961	1	3.75
53-54	SPT. CPE	left, lower (17 $\frac{3}{4}$ O.L.)	4611962	1	3.75
53-54	SPT. CPE	right, rear (7 $\frac{5}{8}$ O.L.)	4611959	1	1.75
53-54	SPT. CPE	left, rear (7 $\frac{5}{8}$ O.L.)	4611960	1	1.75
53-54	SPT. CPE	right, at lower roof (7 O.L.)	4611963	1	1.30
53-54	SPT. CPE	left, at lower roof (7 O.L.)	4611964	1	1.30

**CLIP—ESCUTCHEON—RETAINER—WASHER, Quarter Window Reveal Mldg.**

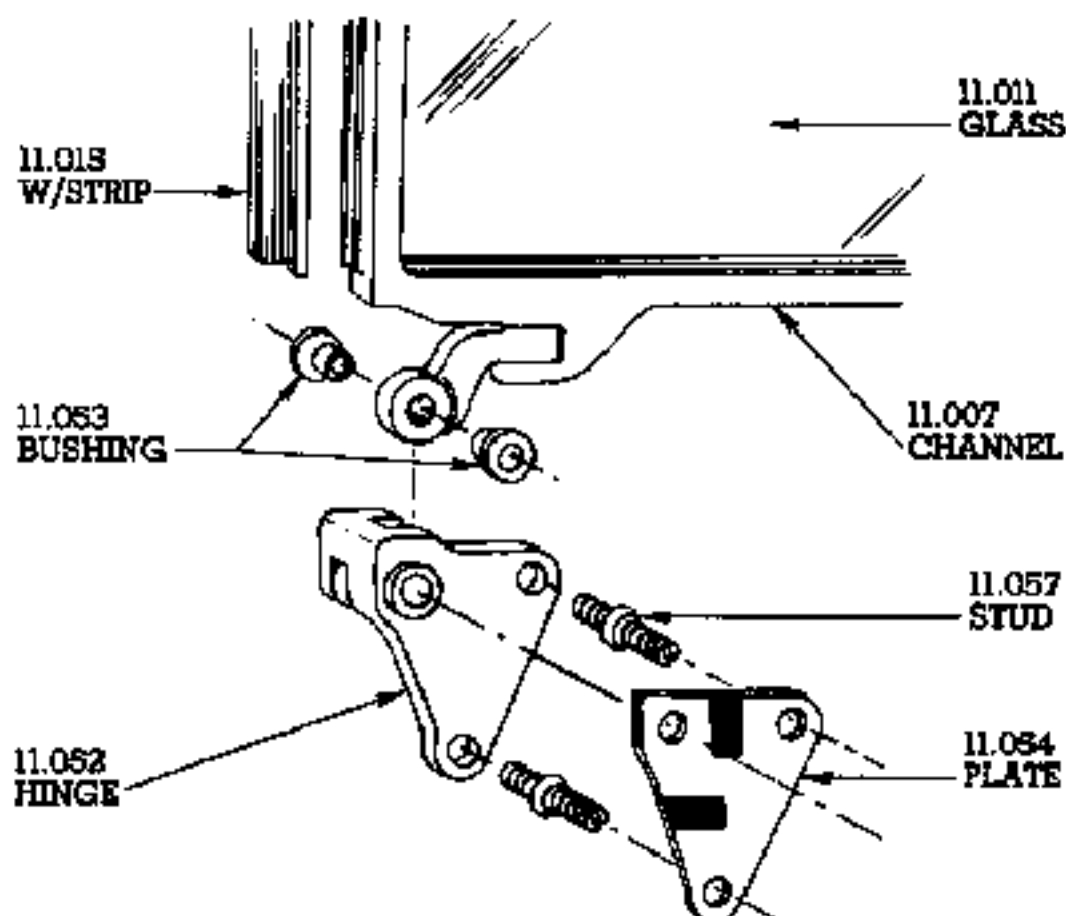
40	PASS	reveal moulding	4105730	A.R.	(10.708)
41-48	1011-19-27-27B	reveal mldg. (for oblong holes)	4114230	A.R.	(10.708)
41-48	PASS. (exc. STA. WAG., SDL.)	reveal mldg. (for round holes)	4114324	A.R.	(10.708)
53-54	1011WD	front header ( $\frac{1}{8}$ x $\frac{1}{8}$ )	4617702	8	.04
53-54	1011WD	rear header	4617810	2	.10
53-54	1011W-11WA-27	front ( $\frac{1}{2}$ x 1)	4595404	8	.02
53-54	1011W-11WA-27	rear	4615695	2	.10
53-54	1011W-11WA-27	rear mldg. (1 $\frac{1}{16}$ x 1 head w/No. 6—32 thd.)	4616849	2	.06
53-54	1069W	front ( $\frac{5}{8}$ x 1 head w/No. 6—32 thd.)	4616693	2	.06
53-54	1069W	rear	4616890	2	.10
42-48	1007	ESCUTCHEON	4099659	2	(10.708)
49-52	1011	RETAINER, right	4561837	1	.57
49-52	1011	RETAINER, left	4561838	1	.57
49-52	1027	RETAINER, right	4562054	1	.50
49-52	1027	RETAINER, left	4562055	1	.50
49-52	1007	RETAINER, right and left—lower	4562737	2	.12
49-52	1007	RETAINER, right—upper	4562764	1	.50
49-52	1007	RETAINER, left—upper	4562765	1	.50
53-54	1011W-11WA-27-69W	WASHER, front, cup lock ( $\frac{3}{16}$ O.D.)	4601364	2	.05
53-54	1011W-11WA-27-69W	WASHER, front ( $\frac{1}{8}$ thick x $\frac{1}{2}$ O.D.) (rubber)	4595721	2	.05

**11.040 GUIDE—STUD, Rear Quarter Window**

49-52	CONV.	right	4562794	1	3.77
49-52	CONV.	left	4562795	1	3.77
50-52	BEL AIR	right	4578740	1	3.18
50-52	BEL AIR	left	4578741	1	3.18
53-54	CONV.	right, with supports ("U" shape)	4601059	1	4.05
53-54	CONV.	left, with supports ("U" shape)	4601060	1	4.05
53-54	SPT. CPE.	right, with supports ("U" shape)	4642320	1	4.50
53-54	SPT. CPE.	left, with supports ("U" shape)	4642321	1	4.50
50-52	BEL AIR	STUD, guide to inner panel (1/4—20 x 1 3/8—w/hex. shoulder)	4578800	4	.10
51-52	CONV., BEL AIR	STUD, guide center (1/4—20 x 1 1/8—w 3/16 hex. shoulder)	4084009	4	(10.704)

**11.041 REGULATOR, Quarter Window**

34-36	34551-601, 351001-11-1201-01A, 361001-11-1201-11	left	4062788	1	(10.783)
34-36	34551-601, 351001-11-1201-01A, 361001-11-1201-11	right	4062789	1	(10.783)
39	1001-11-1201-11	right	4090198	1	4.75
39	1001-11-1201-11	left	4090199	1	4.75
40-48	1011-1211	right	4115180	1	4.40
40-48	1011-1211	left	4115181	1	4.40
42-48	1007	right	4114158	1	4.40
42-48	1007	left	4114159	1	4.40
42-48	CONV.	right	4131903	1	4.00
42-48	CONV.	left	4131904	1	4.00
49-54	1007-11-1207-11	right	4561573	1	4.40
49-54	1007-11-1207-11	left	4561574	1	4.40
49-52	CONV., BEL AIR	right	4562704	1	4.40
49-52	CONV., BEL AIR	left	4562705	1	4.40
53-54	CONV., SPT. CPE.	right (arm 11 3/4 O.L.)	4598503	1	4.40
53-54	CONV., SPT. CPE.	left (arm 11 3/4 O.L.)	4598504	1	4.40
29-32	8850-70, 30551, 31551, 32551,				
34-35	351001-11-1201-01A,				
36-38	1001-11-1201-11,				
42-48	1007	SPRING, regulator coil	4260009	2	(10.794)
31-33	31572, 32572, 33551,				
40-48	1011-1211	SPRING, regulator coil	4002976	2	(10.794)
41-48	PASS. (exc. STA. WAG.)	BOLT, regulator (1/4—20 x 3/8)	431791	A.R.	(8.907)



**CONV. QUARTER WINDOW**



**11.042 PLATE, Rear Quarter Window Regulator Cover**

49-54 1007-11-1207-11..... 4114704 2 .47

**11.044 HANDLE, and PARTS, Quarter Window Regulator**

31-38 PASS..... 4082068 2 (10.797)  
 42-46 1007-11,  
 47 Ser. 1200..... (white knob w/brown insert)..... 4147120 2 (10.797)  
 46-48 CONV..... (white knob w/brown insert)..... 4147119 2 (10.664)  
 39 1001-11-1201-11,  
 41 1011,  
 41-48 1211..... (white knob)..... 4146766 2 (10.797)  
 47-48 1011-67..... (white w/gold insert)..... 4161358 2 (10.797)  
 49 1007-11-67-1207-11..... 3703831 2 (10.797)  
 50 1207-11..... 3703832 2 (10.797)  
 50 1007-11-37-67..... 3703833 2 (10.797)  
 51-52 1007-11..... 3703838 2 (10.797)  
 51-52 1207-11..... 3703834 2 (10.797)  
 51-52 CONV., BEL AIR..... 4601169 2 1.62  
 53-54 1011, CONV., SPT. CPE..... (black knob w/chrome insert)..... 4619387 2 (10.797)  
 53-54 1211..... (black knob w/o insert)..... 4619388 2 (10.797)  
 39 1009-19-27,  
 40 1519-27,  
 41-42 1019-27..... KNOB..... 4125809 2 .20  
 42 CONV..... WASHER, handle filler..... 3686114 2 (10.517)  
 29-38 PASS..... RETAINER, handle (spring steel, snap on type)..... 4260037 2 (10.122)  
 39-48 1001-11-1201-11..... RETAINER, handle (spring steel, snap on type)..... 4090144 2 (10.513)  
 49-54 2-DOOR..... RETAINER, handle (spring steel, snap on type)..... 4168122 A.R. (10.513)  
 37-38 PASS..... SPRING, handle escutcheon..... 4132476 2 (10.666)  
 39-48 1011-67-1211..... SPRING, escutcheon plate..... 4090162 2 (10.666)  
 37-38 PASS..... SPRING, handle tension..... 4073893 2 (10.513)  
 39 1001-11-1201-11..... SPRING, handle tension..... 4089633 2 (10.513)

**11.045 PIN, Quarter Window Regulator Knob**

39-42 1009-19-27..... 4091365 2 .13

**11.046 CAM, Quarter Window Regulator**

38-39 1001-11-1201-11..... (1 1/8 x 6 1/8 long, with nuts)..... 4074627 2 (10.792)  
 40 1011-1211-1511,  
 41-54 1007-1011-1207-11..... (1 x 22 3/4 long, less holes)..... 4099974 2 .40

**11.047 ESCUTCHEON—PLATE—WASHER, Quarter Window Regulator Handle**

39-40 PASS,  
 41 1011-1211,  
 42 1007-67-1211,  
 46-48 PASS. (exc. STA. WAG.)..... 4146889 A.R. (10.519)  
 29-48 PASS. (exc. STA. WAG.)..... PLATE, trim protector (2 3/8 dia.)..... 4125997 A.R. (10.515)  
 49-52 1007-11-37-67-1207-11..... PLATE, handle bearing..... 4565043 2 (10.515)  
 53-54 1011-1211, CONV., SPT. CPE..... PLATE, handle bearing 1 15/16 dia.)..... 4615270 2 (10.515)  
 49-52 1007-11-1207-11,  
 53-54 CONV., SPT. CPE..... WASHER (sponge rubber 3/8 I.D.)..... 3686114 2 (10.517)  
 50-52 CONV., BEL AIR..... WASHER (sponge rubber 1 I.D.)..... 4562807 2 .12

**11.052 HINGE, Quarter Window**

42-48 CONV..... right..... 4133588 1 1.65  
 42-48 CONV..... left..... 4133589 1 1.65  
 49-52 CONV., BEL AIR..... right..... 4562209 1 2.10  
 49-52 CONV., BEL AIR..... left..... 4562210 1 2.10  
 53-54 CONV., SPT. CPE..... right, female..... 4606826 1 2.90  
 53-54 CONV., SPT. CPE..... left, female..... 4606827 1 2.90

**11.053 BUSHING, Quarter Hinge Pivot**

42-52 CONV., BEL AIR..... 4613557 4 .07

**11.054 PLATE, Rear Quarter Window Hinge Adjusting**

42-48	CONV.	right (3 3/8 x 3 3/4 triangle shape)	4161105	1	1.02
42-48	CONV.	left (3 3/8 x 3 3/4 triangle shape)	4161106	1	1.02
49-52	CONV., BEL AIR,				
53-54	CONV., SPT. CPE.	right (serrated)	4562263	1	.85
49-52	CONV., BEL AIR,				
53-54	CONV., SPT. CPE.	left (serrated)	4562264	1	.85

**11.057 SCREW—STUD—BOLT, Quarter Window Hinge Pivot**

42-48	CONV.		4133656	2	.13
47-48	CONV.	STUD (3/8—24 x 1 1/8 long w/center shoulder)	4556928	4	.17
49-52	CONV., BEL AIR,				
53-54	CONV., SPT. CPE.	STUD (3/8—24 x 1 1/8 long w/center shoulder)	4557324	4	.17
53-54	CONV., SPT. CPE.	BOLT (3/8—24 x 1 1/8)	4607677	2	.09

**11.075 MOULDING, Front Door Window Garnish**

42-48	1069	right	4136949	1	12.33
42-48	1007	right	4136945	1	12.95
42-48	1007	left	4136946	1	12.95
46	1011	right	4147729	1	11.03
46	1011	left	4147730	1	11.03
46	1019	right	4147073	1	10.35
46	1019	left	4147074	1	10.35
46	1027	right	4147727	1	11.03
46	1027	left	4147728	1	11.03
46	CONV.	right	4147691	1	3.27
46	CONV.	left	4147692	1	3.27
46	1211	right	4147714	1	9.07
46	1211	left	4147715	1	9.07
46	1219-71	right	4146843	1	9.07
46	1219-71	left	4146844	1	9.07
46	1227-27B-27P	right	4147716	1	9.07
46	1227-27B-27P	left	4147717	1	9.07
47-48	1211	right	4161359	1	9.07
47-48	1211	left	4161360	1	9.07
47-48	1227-27B	right	4161361	1	9.07
47-48	1227-27B	left	4161362	1	9.07
47-48	1219-71	right	4161363	1	9.07
47-48	1219-71	left	4161364	1	9.07
47-48	1027	right	4161385	1	11.03
47-48	1027	left	4161386	1	11.03
47-48	1011	right	4161387	1	11.03
47-48	1011	left	4161388	1	11.03
47-48	1069	right	4161404	1	12.33
47-48	1069	left	4161405	1	12.33
47-48	1007	right	4161400	1	12.90
47-48	1007	left	4161401	1	12.90
47-48	CONV.	right	4161408	1	3.27
47-48	CONV.	left	4161409	1	3.27
47-48	1019	right	4161389	1	10.35
47-48	1019	left	4161390	1	10.35
49-50	1027	right	4582833	1	10.42
49-50	1027	left	4582834	1	10.42
49-50	1227-27B	right	4582835	1	9.40
49-50	1227-27B	left	4582836	1	9.40
49-52	1269-71	right	4608473	1	9.07
49-52	1269-71	left	4608474	1	9.07
49-52	1069	right (gray)	4610064	1	9.85
49-52	1069	left (gray)	4610065	1	9.85
49-50	1008	right	4582845	1	9.85
49-50	1008	left	4582846	1	9.85
49-52	1007	right (gray)	4610050	1	10.42
49-52	1007	left (gray)	4610051	1	10.42
49-52	1011	right	4610074	1	10.42
49-52	1011	left	4610075	1	10.42
49-50	1211	right	4582825	1	9.40
49-50	1211	left	4582826	1	9.40

49	1061	right	4586067	1	18.02
49	1061	left	4566068	1	18.02
49-52	1062	right, upper	4568900	1	12.95
49-52	1062	left, upper	4568901	1	12.98
49-52	1062	right, lower	4566771	1	11.83
49-52	1062	left, lower	4566772	1	11.83
49-50	1208	right	4582847	1	8.27
49-50	1208	left	4582848	1	8.27
49-50	1207	right	4582829	1	8.83
49-50	1207	left	4582830	1	8.83
49-52	CONV., BEL AIR	right	4604831	1	3.90
49-50	CONV., BEL AIR	left (40 <sup>3</sup> / <sub>8</sub> long)	4569010	1	5.07
51	1211	right	4593214	1	9.40
51	1211	left	4593215	1	9.40
51	1207	right	4593220	1	9.40
51	1207	left	4593221	1	9.40
51-52	1027	right (gray)	4610040	1	10.42
51-52	1027	left (gray)	4610041	1	10.42
51-52	1227-27B	right	4608467	1	9.40
51	1227-27B	left	4593227	1	9.40
51	1008	right	4593231	1	9.85
51	1008	left	4593232	1	9.85
51	1208	right	4593233	1	9.07
51	1208	left	4593234	1	9.07
51-52	CONV., BEL AIR	left	4604832	1	3.90
52	1211	right	4608471	1	9.40
52	1211	left	4608472	1	9.40
52	1227-27B	left	4608468	1	9.40
53	1011-27-1211-27-27B	right	4623146	1	9.85
53	1011-27-1211-27-27B	left	4623147	1	9.85
53	1069-1269-71	right	4623150	1	9.07
53	1069-1269-71	left	4623151	1	9.07
53	CONV., SPT. CPE	right, belt finishing (40 <sup>1</sup> / <sub>4</sub> O.L.)	4616993	1	4.80
53	CONV., SPT. CPE	left, belt finishing (40 <sup>1</sup> / <sub>8</sub> O.L.)	4616994	1	4.80
53	STA. WAG. (exc. 1062)	right	4623210	1	8.50
53	STA. WAG. (exc. 1062)	left	4623211	1	8.50
53	1062	right, w/bead and w/strip	4621502	1	14.25
53	1062	left, w/bead and w/strip	4621503	1	14.25
54	1011-1211	right	4639661	1	9.85
54	1011-1211	left	4639662	1	9.85
54	1069-1269W-71	right	4639526	1	8.95
54	1069-1269W-71	left	4639527	1	8.95
54	CONV., SPT. CPE	right, belt finishing	4639657	1	4.80
54	CONV., SPT. CPE	left, belt finishing	4639658	1	4.80
54	STA. WAG.	right	4639681	1	8.50
54	STA. WAG.	left	4639682	1	8.50

#### 11.084 WEATHERSTRIP, Front Door Window Garnish Moulding

37-48	PASS. (exc. STA. WAG.)	right and left (7 <sup>1</sup> / <sub>16</sub> x 35 <sup>3</sup> / <sub>4</sub> ) w/chrome bead.	4102157	2	(10.710)
-------	------------------------	--	---------	---	----------

#### 11.085 SUPPORT, Door Window Garnish Moulding

49-52	CONV., BEL AIR	belt finishing moulding	4562416	2	.12
53-54	CONV., SPT. CPE	belt finishing mldg. (1 <sup>1</sup> / <sub>8</sub> x 1 <sup>1</sup> / <sub>4</sub> )	4591989	2	.15

#### 11.086 BEAD, Front Door Window Garnish Moulding

41-48	Ser. 1000 (exc. CONV.)	right and left	4116737	2	1.15
49-52	CONV., BEL AIR	right door belt	4570600	1	1.37
49-52	CONV., BEL AIR	left door belt	4570601	1	1.37
49-52	1007-11-27	right door window	4167913	1	1.27
49-52	1007-11-27	left door window	4167914	1	1.27
49-52	1008-69	right door window	4167915	1	1.27
49-52	1008-69	left door window	4167916	1	1.27
46-48	Ser. 1000 (exc. CONV.)	MEDALLION, garnish	4147113	A.R.	.98

#### 11.089 MOULDING, Rear Door Window Garnish

46	1019	right	4147075	1	10.35
46	1019	left	4147076	1	10.35

47-48	1219	right	4161365	1	8.45
47-48	1219	left	4161366	1	8.45
47-48	1019	right	4161391	1	10.39
47-48	1019	left	4161392	1	10.35
47-48	1069	right	4161406	1	11.03
47-48	1069	left	4161407	1	11.03
49-52	1069	right (gray)	4610084	1	9.85
49-52	1069	left (gray)	4610085	1	9.85
49-50	1269	right	4582865	1	9.07
49-52	1269	left	4608466	1	9.07
49-50	1008	right	4582857	1	10.13
49-50	1008	left	4582858	1	10.13
49-52	1062	right and left, upper	4568898	2	14.35
49-52	1062	right, lower	4566331	1	13.34
49-52	1062	left, lower	4566332	1	13.34
49-51	1208	right	4593249	1	9.07
49-51	1208	left	4593250	1	9.07
51	1008	right	4593247	1	10.13
51	1008	left	4593248	1	10.13
51-52	1269	right	4608465	1	9.07
53	1069-1269	right	4621696	1	9.40
53	1069-1269	left	4621697	1	9.40
53	STA. WAG. (exc. 1062)	right	4623214	1	8.40
53	STA. WAG. (exc. 1062)	left	4623215	1	8.40
53	1062	right	4621510	1	13.80
53	1062	left	4621511	1	13.80
54	1069-1269W	right	4639184	1	9.40
54	1069-1269W	left	4639185	1	9.40
54	STA. WAG.	right	4639689	1	9.40
54	STA. WAG.	left	4639690	1	9.40

#### 11.101 BEAD, Rear Door Window Garnish Moulding

49-51	1008	right and left	4167917	2	1.27
49-52	1069	right and left	4167919	2	1.27

#### 11.102 WEATHERSTRIP, Rear Door Window Garnish Moulding

37-39	1009-19-1209-19,				
40-54	PASS. (exc. STA. WAG.)	right and left ( $\frac{3}{16}$ x $27\frac{1}{4}$ w/chrome bead)	4102157	2	(10.710)

#### 11.113 BEAD, Quarter Window Garnish Moulding

41-48	Ser. 1000 (exc. CONV.)	right and left	4116737	2	(11.086)
49-52	CONV.	right and left quarter belt	4570913	2	.82
49-52	1011	right and left	4167921	2	1.27
49-52	1007	right and left	4167923	2	1.27
49-52	1027	right and left	4167925	2	1.27
50-52	BEL AIR	right quarter belt (10 tabs—31 O.L.)	4579183	1	1.37
50-52	BEL AIR	left quarter belt (10 tabs—31 O.L.)	4579184	1	1.37

#### 11.118 WEATHERSTRIP, Quarter Window Garnish Moulding

39	1001-11-1201-11,				
40	1011-1211-1511,				
41	1019-1219,				
42-52	1007-11-37-67-1207-11	right and left ( $\frac{3}{16}$ x $35\frac{3}{4}$ ) w/chrome bead	4102157	A.R.	(10.710)
41-48	1027	right	4125129	1	1.18
41-48	1027	left	4125130	1	1.18
49-52	1027	right (54 $\frac{3}{4}$ dev. length—w/chrome bead)	4171943	1	1.53
49-52	1027	left (54 $\frac{3}{4}$ dev. length—w/chrome bead)	4171944	1	1.53
53	1027	right (60 dev. length)	4150420	1	1.53
53	1027	left (60 dev. length)	4150421	1	1.53

#### 11.119 MOULDING—SUPPORT—RETAINER, Quarter Window Garnish

42-46	1007	right	4136947	1	11.03
42-46	1007	left	4136948	1	11.03
42	1211	right	4131004	1	9.07
46	1019	left	4147068	1	9.73



46	1027	right	4147805	1	7.15
46	1027	left	4147806	1	7.15
48	1211	right	4147789	1	9.07
47-48	1211	right	4161367	1	9.07
47-48	1211	left	4161368	1	9.07
47-48	1007	right	4161402	1	11.03
47-48	1007	left	4161403	1	11.03
47-48	CONV.	right	4161396	1	4.83
47-48	CONV.	left	4161397	1	4.83
47-48	1011	right	4161394	1	11.65
47-48	1011	left	4161395	1	11.65
47-48	1027	right	4161345	1	7.15
47-48	1027	left	4161346	1	7.15
47-48	1227-27B	right	4161347	1	4.83
47-48	1227-27B	left	4161348	1	4.83
47-48	1019	right	4161355	1	9.73
47-48	1019	left	4161356	1	9.73
47-48	1219	right	4161352	1	4.83
47-48	1219	left	4161353	1	4.83
49-50	1211	right	4582871	1	9.07
49-50	1211	left	4582872	1	9.07
49-50	1227-27B	right	4582883	1	5.47
49-50	1227-27B	left	4582884	1	5.47
49-50	1027	right	4582881	1	10.13
49-50	1027	left	4582882	1	10.13
49-50	1007	right	4582875	1	10.13
49-51	1007	left	4593282	1	10.13
49-50	1011	right	4582869	1	10.13
49-50	1011	left	4582870	1	10.13
49-52	1062	right	4568896	1	13.50
49-52	1062	left	4568897	1	13.50
49-50	1207	right	4582877	1	9.07
49-51	1207	left	4593284	1	9.07
49-52	1062	right and left—front filler	4569216	2	3.93
49-52	CONV.	right, quarter belt	4585948	1	2.65
49-52	CONV.	left, quarter belt	4585949	1	2.65
49	1061	left, quarter belt	4566111	1	9.28
49-52	1062	right, quarter belt	4613565	1	13.50
49-52	1062	left, quarter belt	4613566	1	13.50
50-52	BEL AIR	right, quarter belt	4580128	1	2.82
50-52	BEL AIR	left, quarter belt	4580129	1	2.82
51-52	1011	right (gray)	4610104	1	10.13
51-52	1011	left (gray)	4610105	1	10.13
51	1211	right	4593272	1	9.07
51	1211	left	4593273	1	9.07
51	1007	right	4593281	1	10.13
51	1207	right	4593283	1	9.07
51	1027	right	4593288	1	10.13
51	1027	left	4593289	1	10.13
51	1227-27B	right	4593290	1	5.47
51	1227-27B	left	4593291	1	5.47
52	1211	right	4608463	1	9.07
52	1211	left	4608464	1	9.07
52	1007	right (gray)	4610094	1	10.13
52	1007	left (gray)	4610095	1	10.13
52	1027	right (gray)	4609812	1	10.13
52	1027	left (gray)	4609813	1	10.13
52	1227-27B	right	4608475	1	5.47
52	1227-27B	left	4608476	1	5.47
53	1011-1211	right	4623158	1	8.50
53	1011-1211	left	4623159	1	8.50
53	1227-27B	right	4621733	1	7.00
53	1227-27B	left	4621734	1	7.00
53	1027	right	4621725	1	9.85
53	1027	left	4621726	1	9.85
53	1069WD	R. or L., belt finishing (2 $\frac{3}{8}$ x 10 $\frac{3}{4}$ )	4621778	2	1.25
53	CONV.	right, belt finishing	4626532	1	2.90
53	CONV.	left, belt finishing	4626533	1	2.90
53	1037D	right, belt finishing	4626512	1	3.30

53	1037D.....	left, belt finishing.....	4626513	1	3.30
53	1037.....	right, belt finishing.....	4623286	1	2.82
53	1037.....	left, belt finishing.....	4623287	1	2.82
53	STA. WAG. (exc. 1062).....	right.....	4623218	1	8.25
53	STA. WAG. (exc. 1062).....	left.....	4623219	1	8.25
53	1062.....	right.....	4621129	1	13.50
53	1062.....	left.....	4621130	1	13.50
54	1011-1211W.....	right.....	4639846	1	8.50
54	1011-1211W.....	left.....	4639847	1	8.50
54	1211WB.....	right.....	4644597	1	8.50
54	1211WB.....	left.....	4644598	1	8.50
54	1069WD.....	R. or L., belt finishing (2 $\frac{3}{8}$ x 10 $\frac{3}{4}$ ).....	4639577	2	1.25
54	CONV.....	right, belt finishing.....	4639607	1	2.90
54	CONV.....	left, belt finishing.....	4639608	1	2.90
54	SPT. CPE.....	right, belt finishing.....	4639623	1	3.30
54	SPT. CPE.....	left, belt finishing.....	4639624	1	3.30
54	STA. WAG. (exc. 1062D).....	right.....	4639637	1	8.50
54	STA. WAG. (exc. 1062D).....	left.....	4639638	1	8.50
54	1062D.....	right.....	4639158	1	8.50
54	1062D.....	left.....	4639159	1	8.50
53-54	CONV., SPT. CPE.....	SUPPORT, right, belt finishing mldg. (14 $\frac{15}{16}$ O.L.).....	4603805	1	1.07
53-54	CONV., SPT. CPE.....	SUPPORT, left, belt finishing mldg. (14 $\frac{15}{16}$ O.L.).....	4603806	1	1.07
53-54	1069WD.....	RETAINER, belt finishing mldg. (1 $\frac{13}{16}$ x 2 $\frac{3}{16}$ ).....	4617646	2	.07

### 11.120 MOULDING, Back Window Garnish

47-48	1069.....	.....	4161375	1	5.52
47-48	1007.....	.....	4161393	1	5.52
47-48	2-DOOR (exc. 1007).....	.....	4161341	1	5.52
49-52	FLEETLINE.....	(gray).....	4609822	1	5.52
49-50	1027-1227-27B.....	.....	4882891	1	5.52
49-52	1011-69-1211-69.....	(gray).....	4610114	1	5.52
51-52	1027-1227-27B.....	.....	4610119	1	5.52
53	1027-1211-27-27B-69.....	.....	4623169	1	5.80
53	1011-69.....	right.....	4621739	1	5.52
53	1011-69.....	left.....	4621740	1	5.52
53-54	SPT. CPE.....	upper.....	4599914	1	4.95
53-54	SPT. CPE.....	lower (57 $\frac{3}{4}$ O.L.).....	4599916	1	5.25
53-54	SPT. CPE.....	right, lower corner.....	4605579	1	2.95
53-54	SPT. CPE.....	left, lower corner.....	4605580	1	2.95
54	1011-1211.....	right.....	4639164	1	5.50
54	1011-1211.....	left.....	4639165	1	5.50

### 11.128 SCREW, Garnish Moulding (sheet metal type)

36	1201-09-11-19.....	front door window,			
37-48	PASS. (exc. STA. WAG.).....	quarter window (oval hd. No. 8-15 x 1 $\frac{1}{4}$ chrome),			
53	1011-27-1211-27-27B.....	back window, upper and lower corner,	145419	A.R.	(8.977)
53	SPT. CPE.....	door window (oval cross sltd. hd. No. 8 x $\frac{5}{8}$ chrome).....	145417	A.R.	(8.977)
37-48	PASS. (exc. STA. WAG.).....	quarter window (oval head No. 8-15 x 1 chrome),			
53	1011-27-1211-27-27B, STA. WAG.,	back window,			
53	1011-27-69-1211-27-27B-69.....	rear and back door.....	148095	A.R.	(8.977)
53	4-DOOR, SDL.....	door window (oval hd. No. 8 x $\frac{5}{8}$ -No. 7 head).....	4090129	A.R.	.02
39-40	PASS. (exc. CONV.).....	back window (oval hd. No. 8 x 1 $\frac{3}{8}$ chrome)	178849	A.R.	(8.977)
40-48	PASS. (exc. STA. WAG.).....	back window, lower.....	148420	7	(8.977)
53	SPT. CPE.....	front door window (oval hd. No. 8-15 x $\frac{5}{8}$ chrome),			
53	PASS. (exc. CONV., SPT. CPE.).....	lift gate window.....	168496	A.R.	(8.977)

### 11.133 CLIP-ESCUTCHEON, Garnish Moulding

39	1009-19-27.....	quarter, moulding.....	4090876	2	.01
40-48	PASS. (exc. 1067-69, STA. WAG.).....	used on doors and quarter moulding,			
49-52	1007-11-27-1207-11-27-27B,				
53-54	1011-1211.....	used as qtr. window mldg. spacer.....	4112927	A.R.	.06



4562163



4090876



4112927



4563383

49-52	PASS. (exc. CONV., B-A, STA. WAG.),				
53-54	PASS. (exc. CONV., SPT. CPE)	door garnish mldg., spacer,			
93	1027-1227-27B	qtr. window mldg. spacer	4562163	A.R.	.04
49-52	CONV., BEL AIR	(door garnish mldg. spacer)	4563383	6	.08
53-54	CONV., SPT. CPE	helt finish mldg., spacing	4605610	4	.05
54	1211WB	rear quarter, spacing	4644402	6	.05
49-51	PASS. (exc. SDL, CONV., STA. WAG, B-A),				
52	1007-11-27-89-1211-27-27B-69	ESCUTCHEON, back window (gray)	4610035	1	.22
53	1011-27-69-1211-27-27B-69	ESCUTCHEON, back window	4623134	2 (10.050)	
54	1011-69-1211-69W	ESCUTCHEON, back window	4639566	2 (10.050)	

**11.135 BUMPER, Door Garnish Moulding**

49-52	CONV., BEL AIR,				
53-54	CONV., SPT. CPE	( $3\frac{1}{8}$ O.D. cone type)	4162170	2	.06

**11.175 PLATE-SUPPORT, Front Door Sill**

40	1011-17-27-67-1211-17-1511-17-27	left (43 long)	4102274	1	4.10
41-48	1019-1219-71	right (31 $\frac{1}{8}$ long)	4114764	1	2.08
41-48	1019-1219-71	left (31 $\frac{1}{8}$ long)	4114765	1	2.08
41-48	1069	right (34 $\frac{1}{4}$ long)	4121529	1	2.08
41-48	1069	left (34 $\frac{1}{4}$ long)	4121530	1	2.08
41-42	CONV.	left (42 long)	4132244	1	3.45
41-48	1011-27-27B-67-1211-27-27B-27P,				
46-48	STA. WAG.	right (42 $\frac{1}{4}$ long)	4114262	1	2.85
41-48	1011-27-27B-67-1211-27-27B-27P,				
46-48	STA. WAG.	left (42 $\frac{1}{4}$ long)	4114763	1	2.85
42-48	1007	right (44 $\frac{1}{4}$ long)	4132090	1	2.85
42-48	1007	left (44 $\frac{1}{4}$ long)	4132091	1	2.85
49-52	1008-61-62-69-1208-69-71	right	4584357	1	2.20
49-52	1008-61-62-69-1208-69-71	left	4584358	1	2.20
49-52	1007-11-27-1207-11-27-27B	right	4584354	1	2.46
49-52	1007-11-27-1207-11-27-27B	left	4584355	1	2.46
49-52	CONV., BEL AIR	right	4603327	1	2.18
49-52	CONV., BEL AIR	left	4603328	1	2.10
53-54	2-DOOR (exc. SDL)	right (42 $\frac{3}{8}$ O.L.)	4602021	1	2.46
53-54	2-DOOR (exc. CONV., SDL)	left (42 $\frac{3}{8}$ O.L.)	4602022	1	2.46
53-54	4-DOOR, SDL	right (35 $\frac{1}{8}$ O.L.)	4602017	1	2.20
53-54	4-DOOR, SDL	left (35 $\frac{1}{8}$ O.L.)	4602018	1	2.20
53-54	CONV.	left (43 $\frac{1}{8}$ O.L.)	4602352	1	2.28
50	Ser. 1000	SUPPORT, plate, right	4563014	1	.55
50	Ser. 1000	SUPPORT, plate, left	4563015	1	.55
51-52	Ser. 1000 (exc. CONV., BEL AIR)	SUPPORT (front and rear)	4596691	A.R.	.38
51-52	CONV., BEL AIR	SUPPORT, plate, right	4603214	1	.50
51-52	CONV., BEL AIR	SUPPORT, plate, left	4603215	1	.83
53	PASS. (exc. SDL),				
54	PASS.	SUPPORT, right, plate (37 O.L.)	4606077	1	.37
53	PASS. (exc. CONV., SDL),				
54	PASS.	SUPPORT, left, plate (37 O.L.)	4606078	1	.37
53-54	CONV.	SUPPORT, left, front plate (17 $\frac{1}{8}$ O.L.)	4603183	1	.37
53-54	CONV.	SUPPORT, left, rear plate (12 $\frac{1}{8}$ O.L.)	4603184	1	.27

**11.179 PLATE, Rear Door Sill**

41-48	1019-1219,				
46-48	STA. WAG.	right (22 $\frac{1}{8}$ long)	4114766	1	1.37
41-48	1019-1219,				
46-48	STA. WAG.	left (22 $\frac{1}{8}$ long)	4114767	1	1.37

41-48	1069	right (19 $\frac{3}{8}$ long)	4121531	1	1.37
41-48	1069	left (19 $\frac{3}{8}$ long)	4121532	1	1.37
49-52	4-DOOR	right	4584359	1	3.08
49-52	4-DOOR	left	4584360	1	3.08
53-54	4-DOOR	right (24 O.L.)	4602019	1	2.65
53-54	4-DOOR	left (24 O.L.)	4602020	1	2.65

### 11.185 GLASS, Back Door Window (safety)

49-54	SDL		4562389	1	12.03
-------	-----	--	---------	---	-------

### 11.187 CHANNEL—BUMPER, Back Door Window Glass

33-39	SDL	universal ( $\frac{1}{8}$ wide x 36 long)	609528	A.R.	(10.701)
35-39	SDL	( $\frac{5}{8}$ x $\frac{1}{16}$ x 103 long, with lip)	4046290	1	(10.092)
40-48	SDL	(ident. No. H72350)	4102339	1	3.28
49-54	SDL		4564672	1	3.28
34-35	SDL	BUMPER, roller type glass, on belt bar (bracket height to ctr. of roller $1\frac{1}{8}$ x $1\frac{1}{2}$ wide)	4091152	1	(10.726)

### 11.204 GLASS, Back Window (safety)

37-39	PASS. (exc. CONV.)		4073969	1	12.29
40	PASS. (exc. CONV., SDL)		4102337	1	12.29
41-48	PASS. (exc. CONV., SDL, FLTLN, STA. WAG.)		4116683	1	13.72
41-50	CONV.		4117576	1	5.15
41-48	1069		4122406	1	12.57
42-48	1007		4125275	1	16.22
49-52	FLEETLINE		4559990	1	16.98
49-52	CPES		4561843	1	15.06
49-52	1011-69-1211-69		4559993	1	16.98
50-52	BEL AIR	right side	4577106	1	7.51
50-52	BEL AIR	left side	4577107	1	7.51
50-52	BEL AIR	center	4577108	1	13.15
51-52	CONV.	plastic	4597407	1	10.18
53	1027-1211-27-27B-69		4596047	1	22.25
53-54	1011-69		4616100	1	29.75
53-54	CONV.	fldg. top back curtain (plastic)	4623969	1	10.18
53-54	SPT. CPE		4618686	1	32.50
52	1007	(tinted)	4614738	1	20.80
52	1011-69-1211-69	(tinted)	4611366	1	20.86
52	CPES	(tinted)	4614739	1	18.42
52	BEL AIR	(tinted) right side	4611368	1	9.34
52	BEL AIR	(tinted) left side	4611369	1	9.34
52	BEL AIR	(tinted) center	4611370	1	16.35
53	1027-1211-27-27B-69	(tinted)	4612527	1	27.50
53-54	1011-69	(tinted)	4616101	1	36.00
53-54	SPT. CPE	(tinted)	4618717	1	36.75

### 11.207 CHANNEL, Back Window Glass (rubber)

29-32	PASS. (exc. SDL)	(15 $\frac{1}{2}$ base x $\frac{1}{2}$ high)	4070069	A.R.	.13 ft
37-40	PASS. (exc. CONV., SDL)	(ident. No. H72893)	4102340	1	3.12
41	1011-19-27-27B-69	(ident. No. H77124)	4115113	1	3.12
41-48	Ser. 1200 (exc. SDL)	(ident. No. H76283)	4114979	1	3.12
41-48	1007-11-19-27-27B-69	(ident. No. H75976) (87 $\frac{1}{4}$ long)	4125388	1	3.12
49-52	1211-69	(109 $\frac{1}{2}$ long)	4564356	1	4.25
49-52	1011-69	for reveal mldg. (109 $\frac{1}{2}$ long)	4564357	1	4.25
49-52	1007-08	for reveal mldg. (102 long)	4564358	1	3.97
49-52	1227-27B	(104 $\frac{1}{8}$ long)	4564359	1	3.97
49-52	1027	for reveal mldg. (104 $\frac{1}{8}$ long)	4564360	1	3.97
49-51	1207-08	(102 long)	4570888	1	3.97
50-52	BEL AIR	(with 2 division channels)	4592650	1	10.75
53-54	1027	(slotted for reveal mldg.) (116 $\frac{1}{4}$ dev. length)	4597457	1	4.32
53	1211-27-27B-69	(not slotted) (116 $\frac{1}{4}$ dev. length)	4633111	1	4.50
53-54	1011-69	(143 $\frac{1}{4}$ dev. length)	4616107	1	5.20
53-54	SPT. CPE	(150 $\frac{1}{2}$ dev. length)	4620102	1	6.95
54	1211-69W		4641068	1	5.20



**CHANNEL, Back Window Reveal Moulding Sealing**

41-48	1011-19-27-27B-69	( $\frac{9}{16} \times 90\frac{1}{8}$ )	4125397	1	1.30
42-48	1007	( $\frac{9}{16} \times 93$ )	4125208	1	1.30

**11.208 MOULDING, Back Window Glass Reveal**

41-48	1069		4125936	1	3.02
42-48	1011-19-27-27B		4125671	1	3.02
42-48	1007		4125922	1	3.02
49-54	SDL	right	4561928	1	1.80
49-54	SDL	left	4561929	1	1.80
49-52	1011-69	right, upper	4561487	1	2.73
49-52	1011-69	left, upper	4561488	1	2.73
49-52	1027	right, upper	4561466	1	2.73
49-52	1027	left, upper	4561467	1	2.73
49-52	1011-69	lower	4561502	1	2.13
49-52	1027	lower	4561494	1	2.13
49-52	1027	right, lower corner	4561617	1	1.10
49-52	1027	left, lower corner	4561618	1	1.10
49-52	1011-69	right, lower corner	4561721	1	1.10
49-52	1011-69	left, lower corner	4561722	1	1.10
49-52	1007-08	right	4562137	1	3.55
49-52	1007-08	left	4562138	1	3.55
50-52	BEL AIR	right, upper	4578936	1	2.47
50-52	BEL AIR	left, upper	4578937	1	2.47
50-52	BEL AIR	right, lower front	4579092	1	1.03
50-52	BEL AIR	left, lower front	4579093	1	1.03
50-52	BEL AIR	right, lower rear	4586977	1	2.85
50-52	BEL AIR	left, lower rear	4586978	1	2.85
53	1027	right, upper	4595318	1	3.20
53	1027	left, upper	4595319	1	3.20
53	1027	lower ( $45\frac{3}{8}$ O.L.)	4595093	1	2.50
53-54	1027	right, lower corner	4595698	1	1.10
53-54	1027	left, lower corner	4595699	1	1.10
53-54	1011-69	upper ( $54\frac{1}{8}$ end to end)	4595990	1	3.62
53-54	1011W-11WA-69W	right, lower	4595992	1	2.80
53-54	1011W-11WA-69W	left, lower	4595993	1	2.80
53	1011W-69W	upper corner (w/retainer and screw)	4597325	2	1.22
53-54	1011WD-69WD	lower ( $56\frac{1}{4}$ end to end)	4614263	1	3.55
53-54	1011WD-69WD	right, side	4614326	1	3.25
53-54	1011WD-69WD	left, side	4614327	1	3.25
53-54	SPT. CPE	upper ( $58\frac{7}{8}$ end to end)	4599528	1	3.75
53-54	SPT. CPE	right, lower	4601533	1	2.88
53-54	SPT. CPE	left, lower	4601534	1	2.88
53-54	SPT. CPE	right, lower corner (5 wide at base)	4615906	1	1.30
53-54	SPT. CPE	left, lower corner (5 wide at base)	4615907	1	1.30
54	1011W-11WA-69W	right, upper corner	4637357	1	1.25
54	1011W-11WA-69W	left, upper corner	4637358	1	1.25

**11.209 ESCUTCHEON—CLIP—RETAINER, Back Window Glass Reveal Moulding**

49-52	1007-08-11-27-69-1271,				
53-54	1271		4562218	2	.22
50-52	BEL AIR	lower ( $1\frac{1}{8}$ wide)	4586841	1	.27
53-54	1011W-11WA-37-37D-69W	lower ( $1\frac{1}{8} \times 1\frac{3}{16}$ )	4597174	1	.22
53-54	1011WA-27	upper ( $\frac{3}{4} \times 1\frac{1}{16}$ )	4595379	1	(10.096)
50-52	BEL AIR	CLIP, side (attaches mldg. to panel)	4580629	10	.03
50-52	BEL AIR	CLIP, lower rear (attaches mldg. to rubber channel)	4571696	8	.03
50-52	BEL AIR	CLIP, upper rear (attaches mldg. to rubber channel)	4571697	12	.03
53-54	SPT. CPE	CLIP, right, lower corner (w/bolt No. 6—32 thd.)	4616563	1	.06
53-54	SPT. CPE	CLIP, left, lower corner (w/bolt No. 6—32 thd.)	4616564	1	.06
51-52	BEL AIR	RETAINER, upper center ( $2\frac{1}{8} \times 2\frac{3}{16}$ O.L.)	4589855	1	.05

**11.216 MOULDING—REINFORCEMENT—BOLT—NUT, Back Window Division**

50-52	BEL AIR	outer ( $13\frac{3}{8}$ long $\times$ $\frac{3}{4}$ wide—chrome)	4578502	2	.95
50-52	BEL AIR	inner, right ( $13\frac{3}{4}$ long $\times$ $1\frac{5}{16}$ wide—chrome)	4591242	1	2.08

50-52	BEL AIR	inner, left (13 $\frac{1}{4}$ long x 1 $\frac{1}{8}$ wide—chrome)	4591243	1	2.08
50-52	BEL AIR	REINFORCEMENT (14 $\frac{1}{4}$ long—"U" shape)	4578499	2	.73
50-52	BEL AIR	BOLT, moulding, w/clip (outer) (clip $\frac{5}{8}$ sq.—bolt 1 $\frac{1}{2}$ O.L.)	4582941	4	.06
50-52	BEL AIR	NUT, barrel (No. 6—32 x $\frac{5}{8}$ chrome)	4576656	4 (10.052)	
<b>11.251 ARM, Rear Window Wiper</b>					
42-47	CPES	(10 $\frac{1}{2}$ long)	606308	1	.88
<b>11.253 CONTROL—KNOB—PIN—NUT, Rear Window Wiper</b>					
42-48	PASS		606307	1	1.83
42-48	PASS	KNOB, control	606309	1	.63
42-48	PASS	PIN, knob ( $\frac{5}{8}$ x $\frac{3}{16}$ grooved)	606310	1	.12
42-48	PASS	NUT, control ( $\frac{1}{2}$ —24 hex.)	606318	1	.13
<b>11.254 MOTOR, Rear Window Wiper</b>					
42-48	PASS	(spindle length—1 $\frac{27}{64}$ )	606303	1	5.72
<b>11.357 FRAME ASSEMBLY, Front Seat (less trim)</b>					
41-48	1019-1219	with back frame	4118366	1	37.52
41-48	1069	with back frame	4131621	1	37.52
46-48	1062	with back frame	4161913	1	42.92
<b>11.358 BACK ASSEMBLY, Front Seat (less trim)</b>					
41	1027-67-1227				
41-48	1011-27B-1211-27B-27P	right	4118350	1	11.49
41	1027-67-1227				
41-48	1011-27B-1211-27B-27P	left	4118391	1	11.49
42-48	1007-27-67-1227	right	4147481	1	12.54
42-48	1007-27-67-1227	left	4147482	1	12.54
<b>PANEL, Front Seat Back</b>					
49	2-DR. (exc. SDL)	right	4578631	1	13.55
49	2-DR. (exc. SDL)	left	4578632	1	13.55
49	4-DR.		4564205	1	14.88
50-52	2-DR. (exc. SDL)	right	4579470	1	12.54
50-52	2-DR. (exc. SDL)	left	4579471	1	12.54
50-52	4-DR. PASS		4597420	1	17.74
53-54	2-DOOR (exc. SDL)	right, upper	4605690	1	2.00
52-54	2-DOOR (exc. SDL)	left, upper	4605691	1	2.00
53-54	2-DOOR (exc. SDL)	right, inner (1 $\frac{1}{8}$ x 16 $\frac{1}{2}$ O.L.)	4601695	1	.75
53-54	2-DOOR (exc. SDL)	left, inner (1 $\frac{1}{8}$ x 16 $\frac{1}{2}$ O.L.)	4601696	1	.75
53	1011-27-37-1211-27-27B	right, side	4605073	1	3.70
53	1011-27-37-1211-27-27B	left, side	4605074	1	3.70
53-54	4-DOOR	upper	4624454	1	3.33
53-54	4-DOOR	right, side and lower	4630594	1	8.23
53	4-DOOR	left, side and lower	4605516	1	6.95
54	4-DOOR	left, side and lower	4630595	1	8.25
54	4-DOOR	left, side	4642521	1	8.25
<b>11.360 FRAME ASSY., Front Seat Bottom</b>					
42-48	PASS. (exc. 1019-61-69-1219-71)	less back frame and end trim	4133717	1	21.17
53-54	1062F-1262F	BOARD, folding seat back cushion	4602673	1	14.85
53-54	1062F-1262F	BOARD, folding seat bottom cushion	4603311	1	10.75
<b>11.362 PANEL ASSEMBLY, Front Seat Side Lower</b>					
49-50	2-DR. (exc. SDL) (1st type)	right	4565174	1	5.15
49-52	2-DR. (exc. SDL)	left	4597589	1	5.15
49	4-DR.	right	4565052	1	5.15
49	4-DR.				
50-52	4-DR. (2nd type)	left	4584569*	1	5.15
50	4-DR. (1st type)	left	4579231†	1	5.15
50-52	2-DR. (exc. SDL) (2nd type)	right	4597588	1	5.15

50-52	4-DR.....	right.....	4584568	1	5.15
53	1011-27-37-1211-27-27B.....	right, lower.....	4605513	1	4.95
53	1011-27-37-1211-27-27B.....	left, lower.....	4605514	1	4.95
54	2-DR. (exc. SDL.).....	right.....	4630592	1	5.15
54	2-DR. (exc. SDL.).....	left.....	4642519	1	5.15

\*NOTE: Top of adjuster lock lever opening is  $\frac{1}{2}$ " from top of 1st type panels.  
†NOTE: Top of adjuster lock lever opening is  $2\frac{1}{2}$ " from top of 2nd type panels.

### 11.372 MOULDING, Body Floor

49-52	STA. WAG.....	front, rear floor ( $\frac{1}{8} \times 46\frac{1}{16}$ ) chrome.....	4564933	1	1.95
49-52	STA. WAG.....	rear side, rear floor ( $8\frac{1}{2}$ O.L.) chrome....	4563663	2	.88
49-54	SDL.....	rear, floor ( $\frac{1}{2} \times 34\frac{1}{2}$ ).....	4564916	1	2.07
49-52	STA. WAG.....	rear floor, center (on spare tire cover board— $34\frac{1}{2}$ O.L.) chrome.....	4563662	1	1.73
49-52	STA. WAG.....	center seat floor board.....	4564828	1	3.62
50-54	SDL.....	right front, floor board ( $1\frac{1}{4} \times 29$ ).....	4588808	1	1.78
50-54	SDL.....	left front, floor board ( $1\frac{1}{4} \times 29$ ).....	4588809	1	1.78
80-52	SDL.....	right center, floor board (3 c'sunk and one $\frac{1}{2}$ dia. holes).....	4588810	1	1.95
50-52	SDL.....	left center, floor board (3 c'sunk and one $\frac{1}{2}$ dia. holes).....	4588811	1	1.95
50-52	SDL.....	right rear, floor board (4 c'sunk holes)....	4588812	1	1.95
50-52	SDL.....	left rear, floor board (4 c'sunk holes).....	4588813	1	1.95
53-54	1062-62D.....	center seat floor ( $75\frac{1}{4}$ dev. length).....	4606123	1	4.50
53-54	1062-62D.....	rear floor, front ( $\frac{1}{8} \times 45$ O.L.) chrome....	4606122	1	1.95
53-54	1062-62D-62F.....	rear floor, center (34 O.L.) chrome.....	4605265	1	1.80
53-54	1062-62D-62F.....	rear floor, side ( $8\frac{1}{2}$ O.L.) chrome.....	4605266	2	.85
53-54	1062F.....	rear floor, front ( $\frac{1}{8} \times 43\frac{13}{16}$ ) chrome.....	4623434	1	2.15
53	1262F.....	rear floor, front ( $43\frac{1}{8}$ O.L.) painted.....	4605583	1	1.70
53	1262F.....	rear floor, center ( $34\frac{1}{2}$ O.L.) painted.....	4605394	1	1.50
53	1262F.....	rear floor, side ( $8\frac{1}{2}$ O.L.) painted.....	4605395	1	.65
53-54	SDL.....	right, rear floor, center.....	4605302	1	1.95
53-54	SDL.....	left, rear floor, center.....	4605303	1	1.95
53-54	SDL.....	right, rear floor, rear.....	4605306	1	1.95
53-54	SDL.....	left, rear floor, rear.....	4605307	1	1.95
54	1262F.....	rear floor, front ( $43\frac{13}{16}$ O.L.) painted.....	4641642	1	1.70
54	1262F.....	rear floor, center (34 O.L.) painted.....	4641676	1	1.50
54	1262F.....	rear floor, side ( $8\frac{1}{2}$ O.L.) painted.....	4641677	2	.65

### 11.373 FRAME ASSEMBLY, Front Seat Back, w/Springs

49-52	2 DR. (exc. SDL.).....	right.....	4176700	1	21.46
49-52	2 DR. (exc. SDL.).....	left.....	4176701	1	21.46
49-52	4 DR.....	.....	4176702	1	29.75
53	2-DOOR (exc. 1037, SDL.).....	right.....	4191854	1	21.46
53	2-DOOR (exc. 1037, SDL.).....	left.....	4191855	1	21.46
53	4-DOOR (exc. 1269).....	.....	4191853	1	29.75
53	1269.....	.....	4191892	1	29.75
54	1011-1211.....	right.....	4208675	1	31.75
54	1011-1211.....	left.....	4208676	1	31.75
54	4-DOOR.....	.....	4208631	1	29.75

### 11.375 SUPPORT—PLATE—STOP—RETAINER—PIN, Front Seat Hinge Arm

41-48	2-DOOR (exc. SDL.).....	.....	4145425	1	.33
49-52	2-DOOR (exc. SDL.).....	right—outer (on seat bottom frame).....	4564238	1	.85
49-52	2-DOOR (exc. SDL.).....	left—outer (on seat bottom frame).....	4564239	1	.85
53-54	2-DOOR (exc. SDL.).....	right—side.....	4633389	1	.85
53-54	2-DOOR (exc. SDL.).....	left—side.....	4633360	1	.85
53-54	2-DOOR (exc. SDL.).....	center ( $21\frac{1}{2}$ long, w/dbl. hinge).....	4604022	1	2.75
53-54	2-DOOR (exc. SDL.).....	PLATE, center cover.....	4625660	1	.10
53-54	2-DOOR (exc. SDL.).....	PLATE, right, outer cover.....	4615883	1	.42
53-54	2-DOOR (exc. SDL.).....	PLATE, left, outer cover.....	4615884	1	.42
53-54	2-DOOR (exc. SDL.).....	STOP, front seat back inner.....	4637788	1	.25
53-54	2-DOOR (exc. SDL.).....	RETAINER, seat back frame outer ( $\frac{1}{2} \times \frac{3}{4}$ dia.).....	4630023	2	.06
53-54	2-DOOR (exc. SDL.).....	PIN ( $1\frac{1}{2}$ long w/hook tip).....	4627331	2	.25

**SUPPORT, Driver and Passenger Seat**

41-53	SDL.....	passenger seat back.....	4627137	2	.73
49-54	SDL.....	right lower front, driver and passenger...	4563720	1	.85
49-54	SDL.....	left lower front, driver and passenger. ...	4563721	1	.85
49-54	SDL.....	rear, passenger seat.....	4500824	1	.85
54	SDL.....	passenger folding seat back.....	4641009	2	.75

**11.340 PARTS, Folding Seat**

53-54	1062F-1262F... ..	SUPPORT, right, seat back outer (stmpd. 4623208).....	4623208	1	2.95
53-54	1062F-1262F... ..	SUPPORT, left, seat back outer (stmpd. 4623209).....	4623209	1	2.95
53-54	1062F-1262F... ..	SUPPORT, w/pin, seat back inner.....	4602198	2	1.35
53	1062F-1262F... ..	HINGE, lower half.....	4629884	2	1.85
53	1062F-1262F... ..	HINGE, upper half.....	4629885	2	1.80
54	1062F-1262F... ..	HINGE, lower half.....	4631250	1	2.35
54	1062F-1262F... ..	HINGE, upper half.....	4631251	1	2.25
53	1062F-1262F... ..	NUT, acorn (1/4-20).....	131436	2	(8.919)
53-54	1062F-1262F... ..	BOLT, upr. to lwr. hinge (1/4-20 x 3/4).....	4607927	2	.15
53-54	1062F-1262F... ..	RETAINER, w/bumper, seat back.....	4607462	2	.85
53-54	1062F-1262F... ..	COVER, retainer (1 5/8 x 3 3/8).....	4625082	2	.60
53-54	1062F-1262F... ..	COLLAR, supt. ret. (1 1/8 hex.—1 1/8 hole w/1—14 thd.).....	4602711	2	.85
53-54	1062F-1262F... ..	STOP, seat back at top (stmpd. 4602549).....	4602549	2	1.65
53-54	1062F-1262F... ..	STOP, w/pin, seat back at side.....	4602298	2	1.25

**11.381 BUMPER—WASHER, Front Seat Back**

39-48	2-DOOR.....	end (curved—1/16 thick).....	4125797	2	.08
40-48	2-DOOR.....	center arm adjuster (round tapered).....	4105439	1	.18
49-52	2-DOOR (exc. SDL).....	side (stamped 4580720).....	4580720	2	.18
49-52	2-DOOR (exc. SDL).....	center arm (stamped 4612056).....	4612056	1	.42
53	2-DOOR (exc. SDL).....	side and center (molded 4603829).....	4603829	4	.18
53-54	1062F-1262F... ..	bottom, folding seat cushion (1 1/4 x 1/8).....	4602561	2	.20
54	2-DOOR (exc. SDL).....	side and center.....	4637784	4	.15
54	Ser. 1000.....	WASHER, rubber (w/elect. seat).....	4576323	4	.06

**11.419 FRAME ASSEMBLY, Front Seat Bottom, w/Springs**

49-52	2-DOOR (exc. SDL).....	.....	4176710	1	36.98
49-52	4-DOOR.....	.....	4176699	1	28.05
53	2-DOOR (exc. SDL).....	.....	4196468	1	36.98
53-54	4-DOOR.....	.....	4191851	1	28.05
54	2-DOOR (exc. SDL).....	.....	4208529	1	36.95
54	4-DOOR (exc. STA. WAG.).....	w/electric seat.....	4208530	1	31.95

**UNIT, Front Seat Cushion and Back Tie Wire**

49-54	PASS. (exc. SDL).....	.....	3690013	A.R.	2.28
-------	-----------------------	-------	---------	------	------

NOTE: Unit 3690013 consists of 3 tie wires and 53 attaching clips.

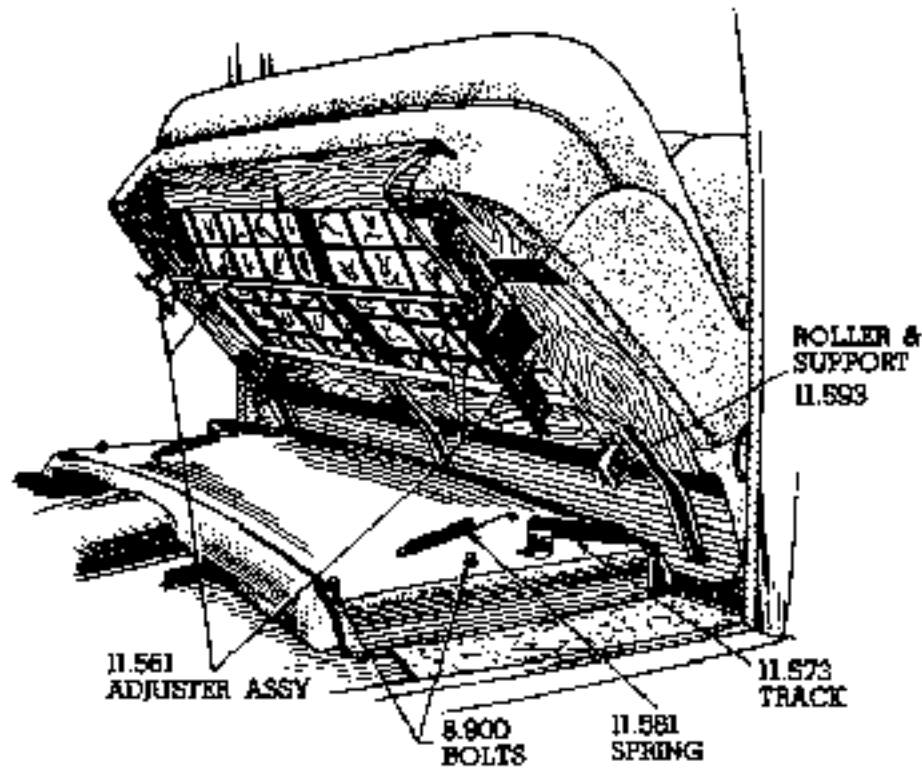
**11.556 MOTOR ASSEMBLY, Electric Seat Adjuster**

54	Ser. 1000.....	w/regulator.....	5047768	1	30.65
----	----------------	------------------	---------	---	-------

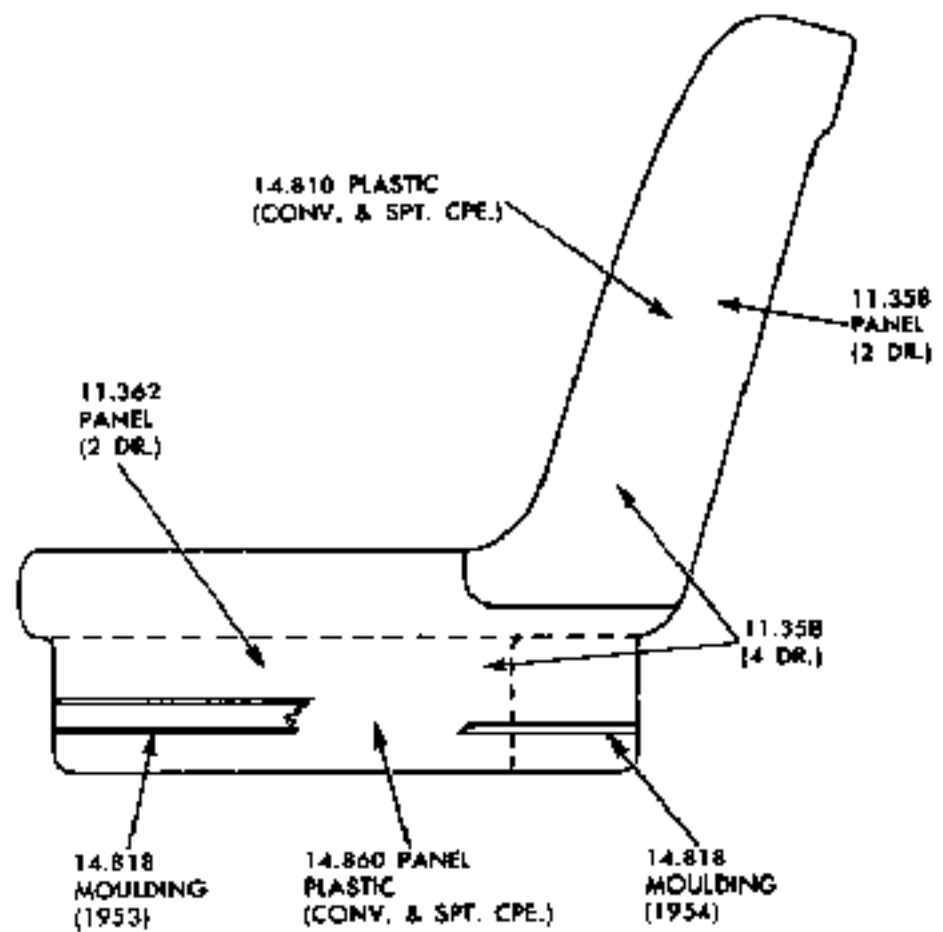
**11.561 ADJUSTER ASSEMBLY, Front Seat**

39	PASS. (exc. SDL).....	.....	4091427	1	4.57
40	PASS. (exc. SDL).....	left, less rod.....	4102344	1	4.57
40	PASS. (exc. SDL).....	right, less rod.....	4102345	1	3.88
41-48	PASS. (exc. 1007-1271).....	right, less rod.....	4115381	1	7.05
41-48	PASS. (exc. 1007-1271).....	left, less rod.....	4115382	1	7.95
41-48	SDL.....	.....	4115144	1	8.45
42-48	1007.....	right.....	4147500	1	7.05
42-48	1007.....	left.....	4147501	1	7.95
49	PASS. (exc. SDL.) (1st type).....	left (inside height of front leg 3 5/8).....	.....	.....	.....
50	PASS. (exc. CONV., B-A, SDL.) (1st type).....	(3 pc. control linkage).....	4572789	1	7.95

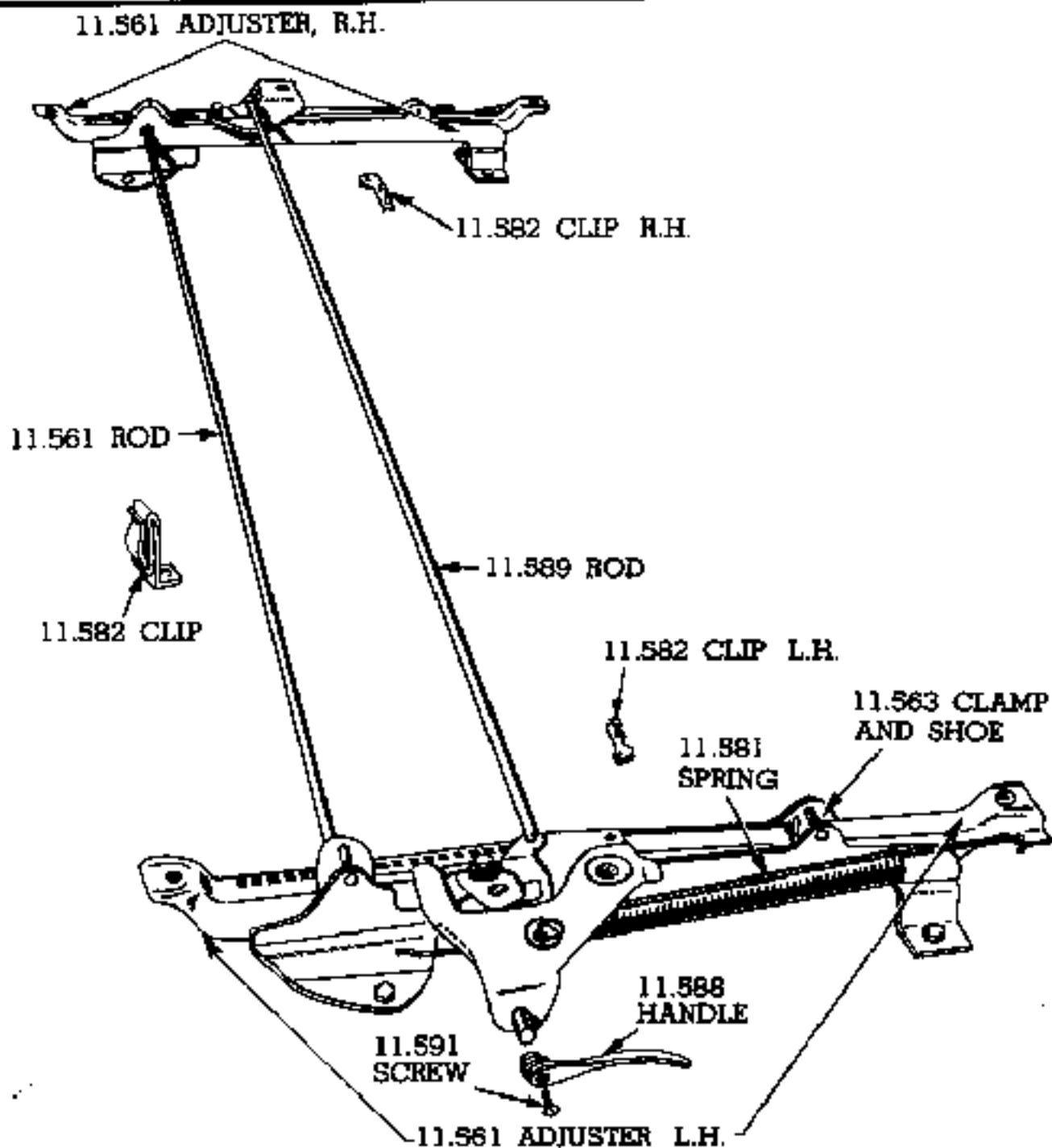




**1939 SEAT ADJUSTER**



**SEAT BACK AND BOTTOM SIDE PANELS**



**1940-48 SEAT ADJUSTER**

50	1008-69	(43 $\frac{3}{4}$ overall length) (comb. 171)	4583410	1	2.32
50	1007-11	(22 $\frac{1}{2}$ overall length) (comb. 171)	4583411	2	1.67
51-52	1007-11	(22 $\frac{1}{2}$ overall length) (comb. 201, 211)	4810581	2	1.67
51	1008-69	(43 $\frac{3}{4}$ overall length) (comb. 201)	4592094	1	2.32
52	1069	(43 $\frac{3}{4}$ overall length) (comb. 211)	4610582	1	2.32
52	1069	(43 $\frac{3}{4}$ overall length) (comb. 212)	4612438	1	2.32
52	1069	(43 $\frac{3}{4}$ overall length) (comb. 213)	4612439	1	2.32
53	1011	(comb. 241, 245, 291)	4618854	2	1.67
53	1011	(comb. 242, 246)	4619242	2	1.67
53	1011	(comb. 243, 247, 292)	4619254	2	1.67
53	1011	(comb. 244, 248)	4619255	2	1.67
53	1069	(comb. 241, 245, 291)	4624673	1	2.80
53	1069	(comb. 242, 246)	4624668	1	2.80
53	1069	(comb. 243, 247, 292)	4624667	1	2.80
53	1069	(comb. 244, 248)	4624674	1	2.80
54	1011W	(comb. 304)	4634408	1	1.75
54	1011W	(comb. 305)	4634409	1	1.75
54	1011W	(comb. 306)	4634410	1	1.75
54	1011W	(comb. 307)	4634411	1	1.75
54	1011WA	(comb. 334)	4645161	2	1.75
54	1011WD	(comb. 309)	4635548	2	1.75
54	1011WD	(comb. 330)	4640327	2	1.85
54	1011WD	(comb. 331)	4645822	2	1.75
54	1011WA-11WD	(comb. 310, 332)	4635549	2	1.75
54	1011WA-11WD	(comb. 311, 333)	4635550	2	1.75
54	1069W	(comb. 304)	4634412	1	2.85
54	1069W	(comb. 305)	4634413	1	2.85
54	1069W	(comb. 306)	4634414	1	2.85
54	1069W	(comb. 307)	4634415	1	2.85
54	1069WD	(comb. 309)	4635552	1	2.85
54	1069WD	(comb. 310)	4635553	1	2.85
54	1069WD	(comb. 311)	4635554	1	2.85
54	1069WD	(comb. 330)	4640329	1	2.95
54	1069WD	(comb. 331)	4645823	1	2.95

#### 11.899 SUPPORT, Rebe Cord End

49-52	1007-08-11-69-1208-69		4562283	A.R.	.37
-------	-----------------------	--	---------	------	-----

#### 11.900 SPRING, Rebe Cord Support

40	1011-19-1511-19,				
41	1011-19-69,				
42-48	1007-11-19-69-1219,				
49-52	1007-08-11-69-1269		4095634	A.R.	.03

#### 11.925 LAMP, Dome (less Bulb)

33-39	PASS.,				
40	1017-27, Ser. 1200-1500	with switch and lens	4090212	1	2.58
40	1011-19	with lens	4091394	1	1.78
40-52	CONV.	with lens	4101787	1	2.58
41-48	Ser. 1000 (exc. CONV.)	with lens	4118997	1	2.02
41-48	Ser. 1200	with lens	4116139	1	2.02

#### 11.927 BODY ASSY.—REFLECTOR—RETAINER—SPACER, Dome Lamp

46-48	STA. WAG.	BODY, with switch	3847268	1	2.88
49-52	PASS. (exc. CONV., B-A),				
53-54	PASS. (exc. CONV., SPT. CPE.)	REFLECTOR, with switch	4188138	1	1.73
50-52	BEL AIR	REFLECTOR, rear corner lamp (4 $\frac{3}{4}$ O.L.)	4589575	2	2.88
53-54	CONV.	REFLECTOR, rear bow, dome lamp	4577220	1	1.77
53-54	SPT. CPE	REFLECTOR, w/socket	4603601	2	1.75
49-52	CONV.	RETAINER (bakelite)	4565665	1	.40
54	CONV.	SPACER, reflector to bow (plastic 2 $\frac{1}{4}$ x 3 $\frac{1}{2}$ )	4615873	1	.60

#### 11.928 RIM—LENS—BULB, Dome Lamp

34	Ser. 600,				
35-38	1017-87, Ser. 1200,				
37-38	1017-87, Ser. 1200,				
39-40	1017-27, Ser. 1200-1500	w/lens	4073975	1	1.27

34	551-567-569-570-581,				
35-39	1001-09-11-19.....	w/lens.....	4073976	1	1.27
40	1011-19-69,				
41-48	Ser. 1200.....	w/out lens.....	4089646	1	1.10
40-52	CONV.....	w/out lens.....	4101790	1	1.10
41-48	Ser. 1000 (exc. CONV.).....	w/out lens.....	4122197	1	.75
49-52	PASS. (exc. CONV., B-A),				
53-54	PASS. (exc. CONV., SPT. CPE.).....	w/out lens (2 $\frac{3}{4}$ x 7 $\frac{1}{2}$ ).....	4168052	1	.75
40	1011-19-69,				
41-48	Ser. 1200.....	LENS.....	4091399	1	.37
40-52	CONV.....	LENS.....	4102341	1	.40
41-48	Ser. 1000 (exc. CONV.).....	LENS.....	4122196	1	.40
49-52	PASS. (exc. CONV., B-A),				
53-54	PASS. (exc. CONV., SPT. CPE.).....	LENS (2 $\frac{1}{8}$ x 4 $\frac{1}{2}$ ) (plastic).....	4168051	1	.40
50-52	BEL AIR.....	LENS, rear corner lamp.....	4589622	2	.58
53-54	CONV.....	LENS, rear bow (plastic).....	4577221	1	.43
53-54	SPT. CPE.....	LENS, rear corner lamp (2 $\frac{1}{8}$ O.D.).....	4605664	2	.50
41-48	PASS. (exc. CONV., STA. WAG.),				
53-54	PASS.....	BULB (6 C.P. 1 $\frac{5}{8}$ O.L.).....	119434	1	(8.991)
49-52	PASS. (exc. CONV., B-A).....	BULB.....	120406	1	(8.991)
49-52	PASS. (exc. CONV., B-A),				
53-54	PASS. (exc. CONV.).....	BULB (15 C.P. 1 $\frac{3}{4}$ O.L.).....	453138	1	(8.991)

#### 11.929 COVER ASSY., Dome Lamp

46-48	STA. WAG.....	with lens.....	3847269	1	2.02
-------	---------------	----------------	---------	---	------

#### 11.935 SWITCH, Dome Lamp

29-40	PASS.....		4102342	1	.52
41-48	PASS. (exc. STA. WAG.),				
50-52	BEL AIR, CONV.....		4594201	1	.52
53-54	CONV.....	rear bow (plastic),			
53-54	SPT. CPE.....	rear corner lamp (1 $\frac{5}{8}$ O.L.) (plastic)...	4610315	1	.57

#### 11.936 SCREW, Dome Lamp Switch Terminal Wire

30-40	PASS.,				
41-42	CONV.....	(No. 4—36 x $\frac{1}{4}$ round head).....	4048053	1	.02

#### 11.938 PLATE, Dome Lamp Switch

29-38	PASS.,				
41-46	Ser. 1000.....		4116140	1	.40

#### 11.939 SCREW, Dome Lamp Switch Plate to Pillar

37-39	1001-09-11-19,				
40	CONV.,				
41-48	PASS. (exc. STA. WAG.).....	(No. 4—40 x $\frac{3}{4}$ oval head tapping—chr.)	431879	2	(8.977)

#### 11.946 PLUNGER ASSEMBLY, Dome Lamp Socket

34-48	PASS. (exc. STA. WAG.).....		464608	1	.09
-------	-----------------------------	--	--------	---	-----

#### 11.950 SWITCH, Dome Lamp Door Jamb

41-54	Ser. 1000.....	front door.....	4598597	A.R.	.50
-------	----------------	-----------------	---------	------	-----

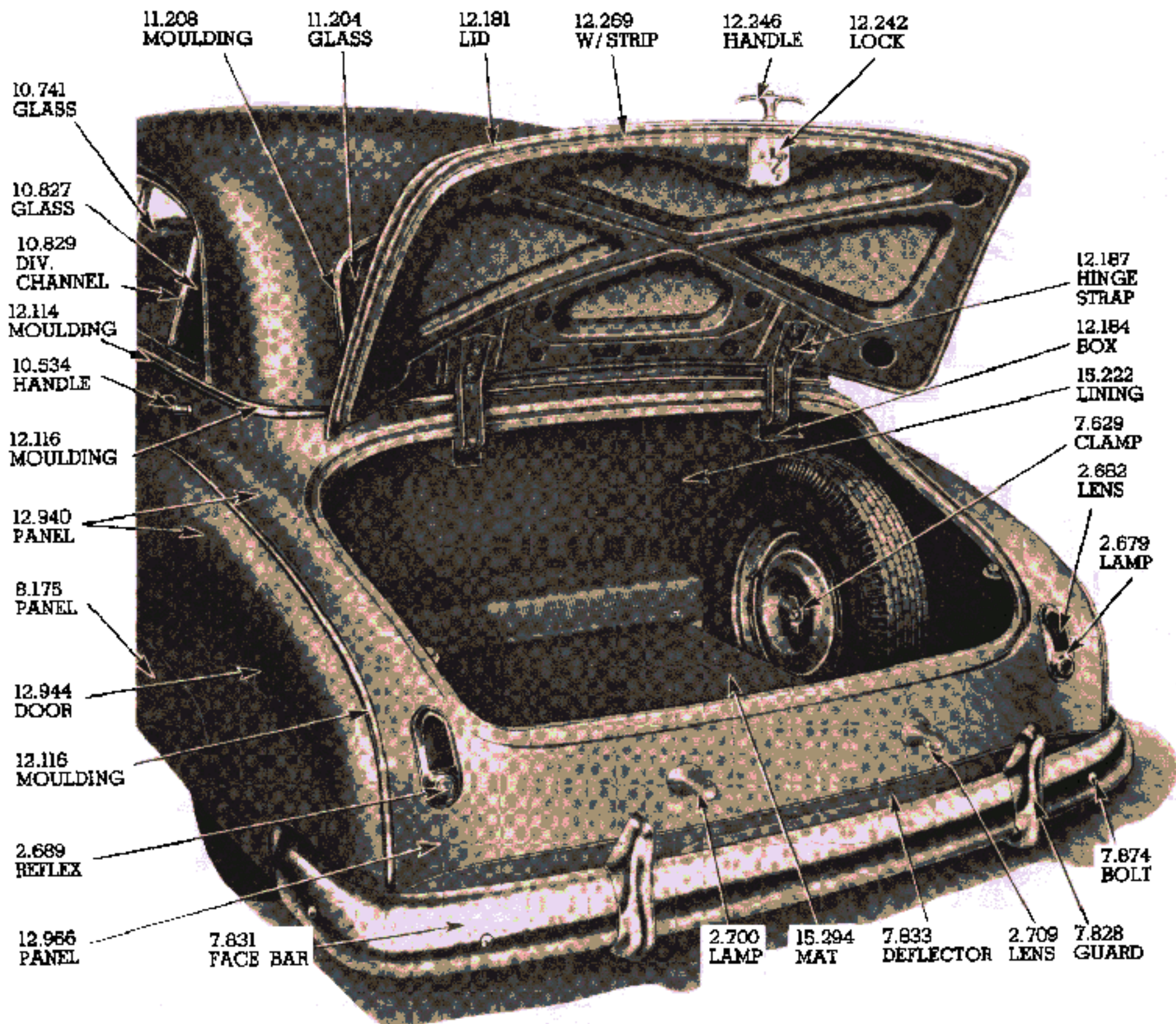
#### 11.951 GASKET, Dome Lamp Door Jamb Switch

42-54	Ser. 1000.....		4598587	A.R.	.07
-------	----------------	--	---------	------	-----

#### 11.965 LEVER, Dome Lamp Switch

33-39	PASS.,				
40	1017-27, Ser. 1200-1500.....	(for lamp with built in switch).....	4090214	1	.13





### 1949 SEDAN—REAR COMPARTMENT

53-54	1062D-62F-1262F.....	MOULDING, left, opening finish—lower (2 1/8 x 1 1/8) in prime.....	4615748	1	1.10
53	1062.....	MOULDING, right, opening finish—lower (2 1/8 x 1 1/8) grained.....	4620544	1	2.65
53	1062.....	MOULDING, left, opening finish—lower (2 1/8 x 1 1/8) grained.....	4620545	1	2.65
53	1062F-1262F.....	MOULDING, window garnish.....	4623222	1	7.50
54	1062F-1262F.....	MOULDING, upper, opening finishing.....	4623206	1	10.85
54	STA. WAG.....	MOULDING, window garnish.....	4639698	1	6.25

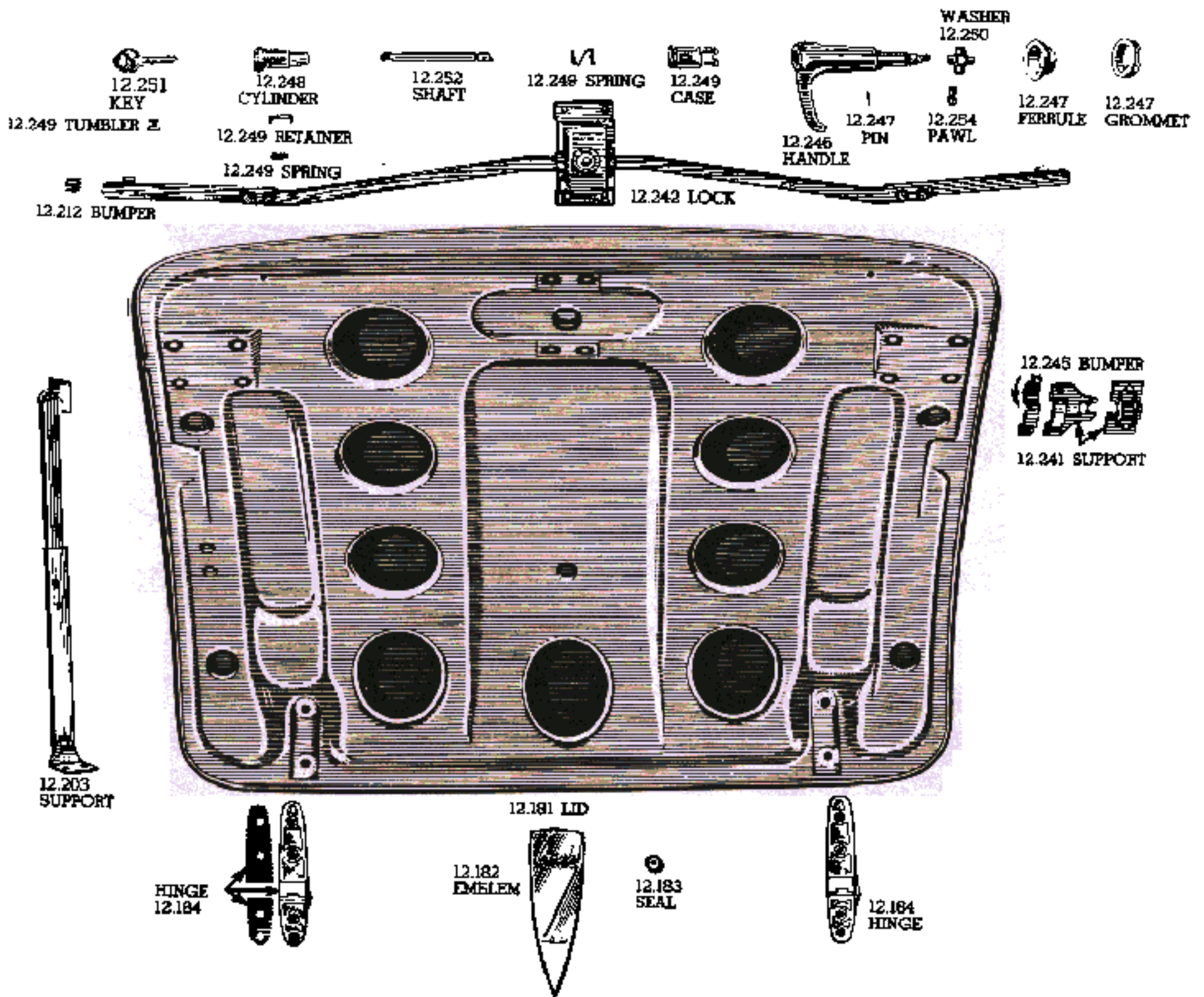
#### 12.181 LID, Rear Compartment, (less hardware)

37-38	1011-19-1211-19.....		4083385	1	22.26
-------	----------------------	--	---------	---	-------

NOTE: When using 4083385 on 1937 models the following parts are required.

		RETAINER.....	595754	2	(12.183)
		FERRULE.....	4125630	1	(10.537)
		GROMMET.....	4082057	1	(10.538)
37-38	1017-1217.....		4084781	1	31.20





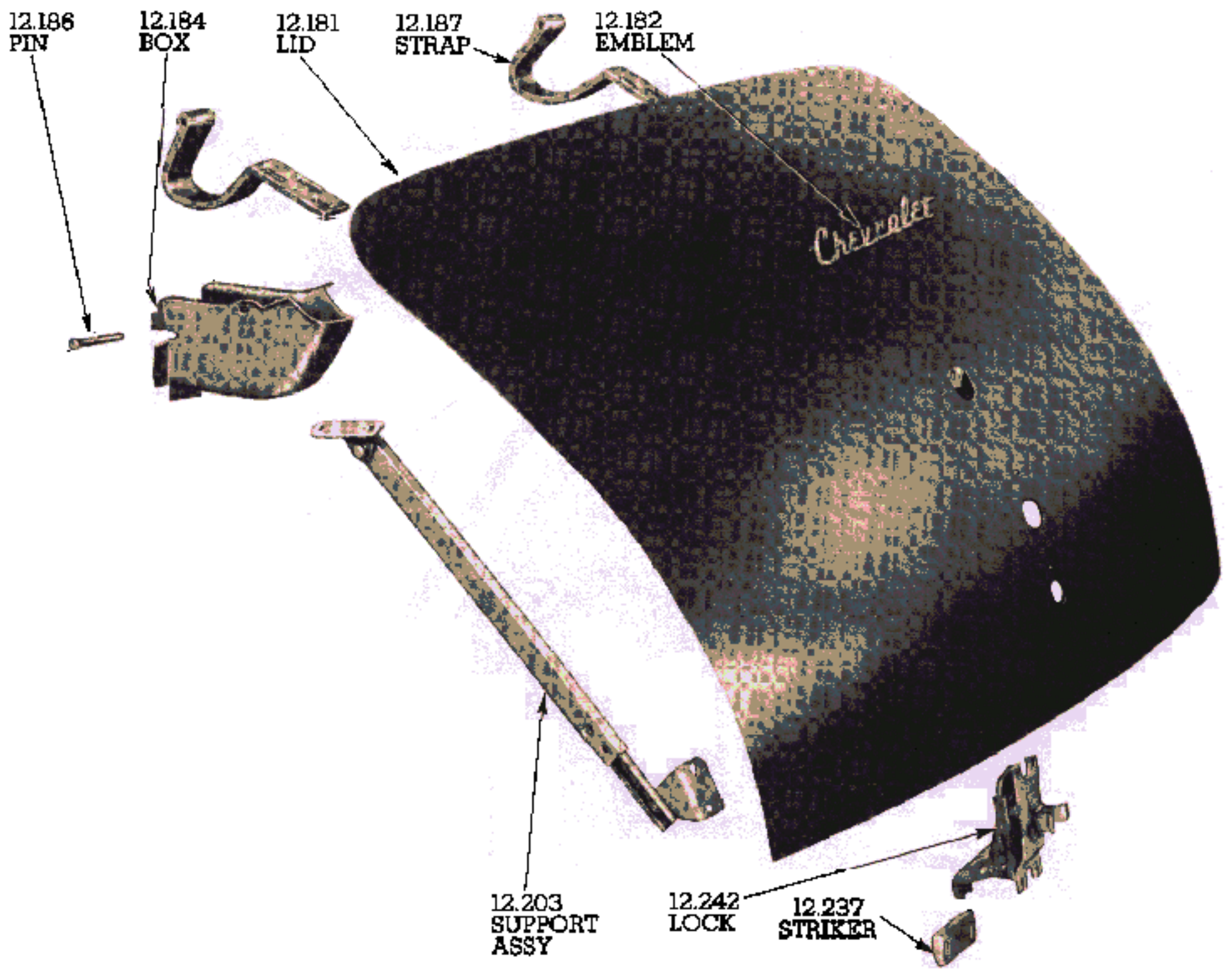
## REAR COMPARTMENT LID AND PARTS

39	1011-19-1211-19.....		4091452	1	25.78
40	1011-19-1211-19-1511-19.....		4113911	1	23.08
40	1017-27-67-1217-1517-27.....		4103252	1	33.65
41	1011-19-1211-19.....		4117592	1	23.06
41	CPES., CONV.....		4117593	1	37.45
41-48	1069.....		4161992	1	29.85
42-48	1007.....		4149869	1	31.79
42-48	1011-19-1211-19.....		4149870	1	25.85
42-48	1027-67-1227-27B.....		4147955	1	31.75
49-52	1011-69-1211-69.....		4180870	1	41.50
49-52	FLEETLINE.....		4180873	1	41.50
49-52	CPES., CONV., B.A.....		4180876	1	44.75
53	1011-69-1211-69.....		4591175	1	42.50
53	CPES., CONV.....		4592888	1	45.85
54	1011-69-1211.....		4199992	1	42.50
54	CONV., SPT. CPE.....		4199993	1	45.85

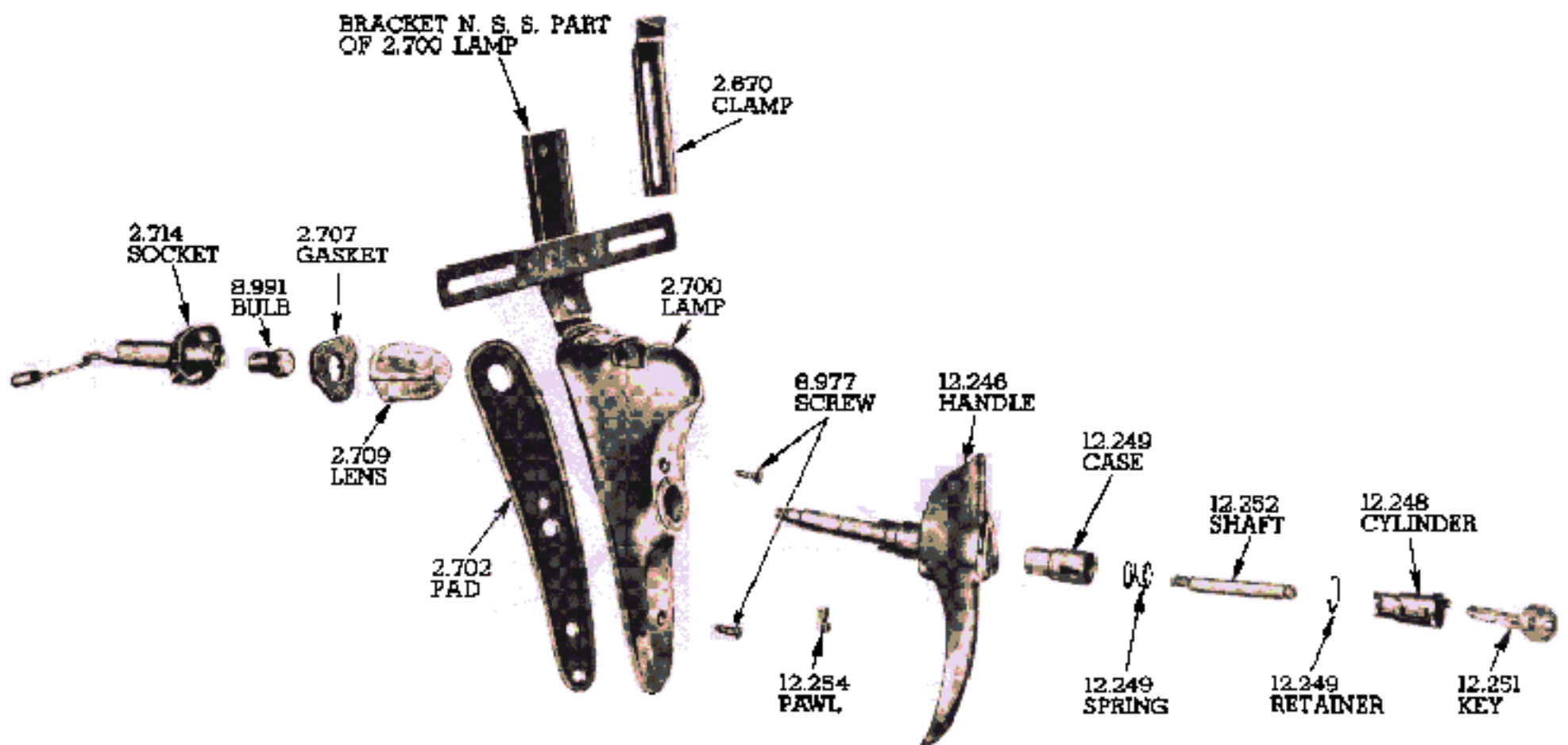
### 12.182 EMBLEM—PLATE—MOULDING, Rear Compartment Lid

41-48	1007-69.....	"F".....	4129242	1	.75
41-48	1007-69.....	"FLEETLINE".....	4129243	1	1.42
42-48	PASS. (exc. 1007-61-69).....	"CHEVROLET".....	3664044	1	.73
47-48	1007-69.....	EMBLEM, trunk (3 $\frac{3}{8}$ wide x 2 $\frac{1}{16}$ high).....	3685099	1	1.25



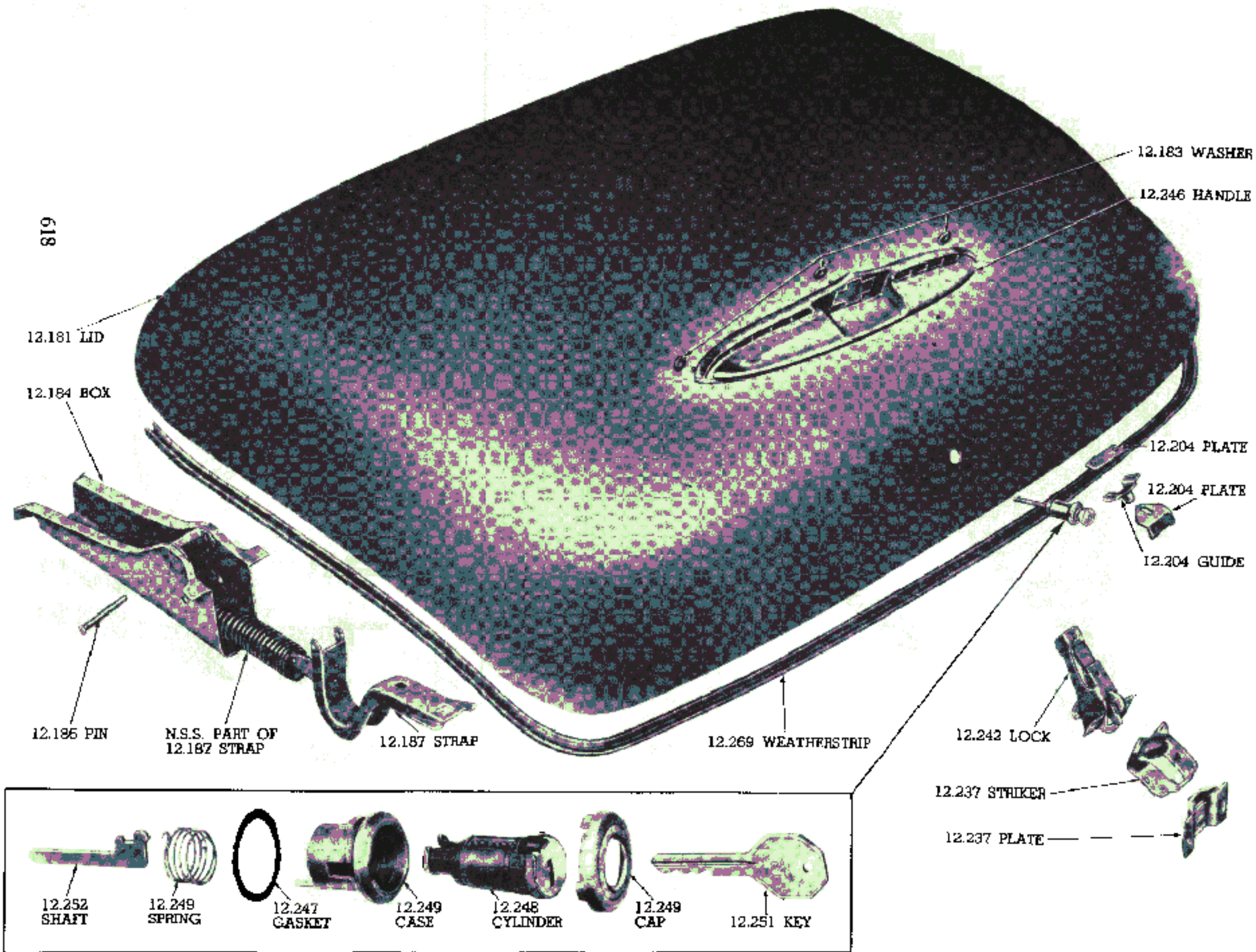


**1941-48 REAR COMPARTMENT LID**



**1941-48 REAR COMPARTMENT LOCKING HANDLE**





**REAR COMPARTMENT LID AND PARTS**

49	PASS. (exc. STA. WAG.)	EMBLEM (2 $\frac{1}{8}$ wide x 12 $\frac{3}{4}$ long)	3688052	1	1.57
49-51	STA. WAG.	EMBLEM, lower end gate (12 $\frac{3}{4}$ x 2 $\frac{5}{8}$ )	3699038	1	1.57
50	Ser. 1000 w/P.G.	"POWER"	3694841	1	1.42
50	Ser. 1000 w/P.G.	"GLIDE"	3694842	1	1.42
52-54	STA. WAG.	PLATE, "CHEVROLET" (lower end gate)	3697660	1	1.42
54	PASS. (exc. STA. WAG., SDL.)	PLATE, "CHEVROLET"	3707970	1	.85
54	PASS. (exc. STA. WAG., SDL.)	PLATE, "POWERGLIDE"	3707971	1	.85
NOTE: See group 12.246 for 1951-54 rear compartment lid emblem and handle.					
50	PASS. (exc. P.G., STA. WAG.)	MOULDING, left	3693353	1	.80
50	PASS. (exc. P.G., STA. WAG.)	MOULDING, right	3693354	1	.80
54	PASS. (exc. STA. WAG., SDL.)	NUT (spring $\frac{3}{32}$ ) (rear name plate)	3708164	4	.02

### 12.183 ATTACHING PARTS, Rear Compartment Lid Emblem

49-52	STA. WAG.	BOLT ( $\frac{1}{4}$ —20 x $\frac{1}{2}$ —oval sl. head)	134417	A.R.	(8.909)
NOTE: It may be necessary to remove $\frac{1}{16}$ from end to prevent bottoming in emblem.					
37-39	1011-19-1211-19	RETAINER, cupped ( $\frac{1}{4}$ I.D. x $1\frac{11}{16}$ O.D. x $\frac{3}{8}$ high)	595754	A.R.	.02
50	PASS. (exc. P.G., STA. WAG.)	RETAINER, deck lid handle mldg.	3893355	2	.10
41	1069,				
42-46	PASS. (exc. STA. WAG.)	WASHER, rubber ( $\frac{3}{16}$ I.D. x $\frac{3}{4}$ O.D.)	4129244	6	.02
41	1069,				
42-46	PASS. (exc. STA. WAG.)	WASHER, steel ( $\frac{1}{8}$ I.D. x $1\frac{11}{16}$ O.D. flat)	4129245	6	.02
49-53	PASS. (exc. STA. WAG., SDL.)	WASHER, emblem seal (rubber— $\frac{1}{2}$ I.D. x $\frac{3}{4}$ O.D.)	3682988	4	(2.704)
54	PASS. (exc. STA. WAG., SDL.)	WASHER ( $\frac{3}{16}$ I.D. x $\frac{1}{2}$ O.D. x $\frac{1}{4}$ thick)	3707115	2	.03
41	1069,				
42-48	PASS. (exc. 1061, 481007)	SPEED NUT ( $\frac{3}{16}$ rod plain)	177941	6	(8.921)
49	PASS. (exc. STA. WAG.)	SPEED NUT ( $\frac{3}{16}$ rod plain)	3695282	A.R.	(8.040)
42-48	1007-69	PROTECTOR (on medallion studs—rubber)	4133624	6	.02
52-54	STA. WAG.	CLIP, rear name plate ( $\frac{3}{16}$ x $\frac{3}{16}$ x $\frac{1}{4}$ high)	3697750	3	.03

### 12.184 HINGE—BOX, Rear Compartment Lid

35	1011-19	right	4059076	1	2.68
35	1011-19	left	4059077	1	2.68
36	1011-19-1211-19	right	4065201	1	2.68
36	1011-19-1211-19	left	4065202	1	2.68
37-39	TOWN, SPORT SEDANS	right	4082100	1	2.68
37-39	TOWN, SPORT SEDANS	left	4082101	1	2.68
40	1011-19-1211-19-1511-19	right	4102362	1	2.68
40	1011-19-1211-19-1511-19	left	4102363	1	2.68
40-41	CONV.				
40-48	CPE.	right	4101842	1	2.68
40-41	CONV.				
40-48	CPE.	left	4101843	1	2.68
42-48	CONV.	right	4147637	1	3.31
42-48	CONV.	left	4147638	1	3.31
41-48	1011-19-1211-19	BOX, right	4120733	1	2.00
41-48	1011-19-1211-19	BOX, left	4120734	1	2.00
41-48	1069	BOX, right	4129255	1	.97
41-48	1069	BOX, left	4129256	1	.97
42-48	1007	BOX, right	4135032	1	2.00
42-48	1007	BOX, left	4135033	1	2.00
49-52	CONV.	BOX, right	4167940	1	2.68
49-52	CONV.	BOX, left	4167941	1	2.68
49-52	CPES.	BOX, right	4167937	1	1.77
49-52	CPES.	BOX, left	4167938	1	1.77
49-50	1011-69-1211-69 (1st type)	BOX, right (10 ctr. to ctr. pin holes)	4167929	1	1.77
49-50	1011-69-1211-69 (1st type)	BOX, left (10 ctr. to ctr. pin holes)	4167930	1	1.77
49-52	FLEETLINE	BOX, right	4167934	1	2.00
49-52	FLEETLINE	BOX, left	4167935	1	2.00
50-52	BEL AIR	BOX, right	4174635	1	1.71
50-52	BEL AIR	BOX, left	4174636	1	1.71
50-52	1011-69-1211-69 (2nd type)	BOX, right (9 $\frac{3}{4}$ ctr. to ctr. pin holes)	4173473	1	1.77
50-52	1011-69-1211-69 (2nd type)	BOX, left (9 $\frac{3}{4}$ ctr. to ctr. pin holes)	4173474	1	1.77
53-54	1011-69-1211-69	BOX, right	4191686	1	2.00
53-54	1011-69-1211-69	BOX, left	4191687	1	2.00
53	1027-1227-27B	BOX, right	4150834	1	1.77
53	1027-1227-27B	BOX, left	4150835	1	1.77



53-54	CONV.	BOX, right	4191692	1	2.68
53-54	CONV.	BOX, left	4191693	1	2.68
53-54	SPT. CPE.	BOX, right	4150536	1	2.00
53-54	SPT. CPE.	BOX, left	4150537	1	2.00

#### HINGE, End Gate

46-48	STA. WAG.	lower gate assy.	3847243	1	17.05
46-48	STA. WAG.	upper end gate	3847251	2	2.28
49-54	STA. WAG.	lower end gate	4621528	1	10.90
49-54	STA. WAG.	right, upper end gate	4573440	1	4.14
49-54	STA. WAG.	left, upper end gate	4573441	1	4.14

#### 12.185 FILLER, Rear Compartment Lid Hinge

29-54	PASS. (exc. STA. WAG.)	gasket shim (.032 thick x 1 1/2—60 ft. roll)	603954	A.R.	(10.696)
29-54	PASS. (exc. STA. WAG.)	gasket shim (.047 thick x 1 1/2—40 ft. roll)	603955	A.R.	(10.696)

#### 12.186 PIN, Rear Compartment Hinge

41-48	SEDAN,				
49-54	PASS. (exc. STA. WAG., SDL.)	strap pin	4091054	2	(10.466)
49-52	PASS. (exc. STA. WAG., SDL.)				
53-54	1011-69-1211-69, SPT. CPE.	hinge pin	4167931	2	.13
53-54	1027-67-67D-1227-27B	hinge pin	4172423	2	.22

#### 12.187 ARM—STRAP—LINK, Rear Compartment Lid Hinge

37	1017-1217		4074017	2	2.05
41-48	SEDANS (exc. 1007)	STRAP	4120735	2	2.15
42-48	1007	STRAP	4131402	2	2.00
49-50	1011-69-1211-69 (1st type)	STRAP, w/link and spring (link 11 1/4 long)	4167932	2	3.23
49-52	1007-08-1207-08	STRAP, w/link and spring	4167936	2	3.23
49-52	CPEs	STRAP, w/link and spring	4167939	2	3.23
49-52	CONV.	STRAP	4167942	2	2.00
50-52	BEL AIR	STRAP, w/link and spring	4174637	2	3.69
50-52	1011-69-1211-69 (2nd type)	STRAP, w/link and spring (link 10 3/8 long)	4173475	2	3.23
53-54	1011-69-1211-69	STRAP	4191688	2	3.38
53	1027-1227-27B	STRAP	4150528	2	5.25
53-54	CONV.	STRAP	4191694	2	2.00
53-54	SPT. CPE	STRAP	4154216	2	5.25
49-52	CONV.	LINK, w/spring	4150122	2	3.23
53-54	CONV.	LINK, w/spring	4150330	2	3.23

#### 12.188 PARTS, Lower End Gate

46-48	STA. WAG.	STRIP, end gate skid	3847242	4	1.67
49	1061	STRIP, end gate skid	4567279	4	2.23
49-52	1062	STRIP, end gate skid	4562893	4	2.73
53-54	1062-62D-62F	STRIP, skid (21 3/8 w/4 holes)	4617949	A.R.	2.90
49-52	1062	MOULDING, right—lower on pillar (18 1/8)	4566322	1	2.33
49-52	1062	MOULDING, left—lower on pillar (18 1/8)	4566323	1	2.33
49-52	1062	MOULDING, right—upper on pillar (3 1/8)	4566659	1	1.12
49-52	1062	MOULDING, left—upper on pillar (3 1/8)	4566660	1	1.12
53-54	1062-62D-62F	MOULDING, finishing upper (3/16 x 37 3/8) chrome	4617772	1	2.65
53-54	1062-62D-62F	MOULDING, finishing lower (3/16 x 48) chrome	4617774	1	2.85
53	1262F	MOULDING, finishing upper (3/16 x 37 3/8) painted	4619448	1	1.13
53	1262F	MOULDING, finishing lower (3/16 x 48) painted	4619449	1	1.20
53-54	STA. WAG.	MOULDING, right center on pillar (1 1/2 x 8)	4615749	1	1.05
53-54	STA. WAG.	MOULDING, left center on pillar (1 1/2 x 8)	4615750	1	1.05
53	STA. WAG.	MOULDING, right side finishing, curved (3/16 wide x 21 3/4 O.L.)	4617768	1	2.47
54	1062D-62F	MOULDING, left side finishing, curved (3/16 wide x 21 3/4 O.L.)	4617769	1	2.47
53-54	1262F	MOULDING, right side finishing	4641611	1	1.65
53-54	1262F	MOULDING, left side finishing	4641612	1	1.65
54	1262F	MOULDING, finishing upper	4641615	1	1.45
54	1262F	MOULDING, finishing lower	4641617	1	1.85

49-52	1062	TRANSFER, inner (mahogany) (20 $\frac{1}{4}$ x 47)	4571635	1	6.95
49-53	1062	TRANSFER (exterior, ash—32 x 55)	4573157	A.R.	(10.354)
48-49	STA. WAG. (W)	BOLT, support to gate, oval cross recess head ( $\frac{5}{16}$ —18 x 2 $\frac{1}{2}$ chrome)	157590	A.R.	.16
48-49	STA. WAG. (W)	NUT, tee ( $\frac{5}{16}$ —18 chrome)	442632	A.R.	.16
51-52	STA. WAG.	WINDLACE, tail gate opening (comb. 202, 218)	4171764	1	3.17
53	1062-62F	WINDLACE, opening (comb. 278, 280)	4193242	1	3.17
53	1262F	WINDLACE, opening (comb. 277)	4193272	1	3.17
54	1062D-62F	WINDLACE, opening (comb. 323, 324)	4201164	1	3.15
54	1262F	WINDLACE, opening (comb. 322)	4201242	1	3.15
49-52	1062	COVER, upper finishing (2 x 49) grain	4569203	1	9.75
53-54	STA. WAG.	COVER, finishing (2 x 49) in prime	4623204	1	8.75

### 12.203 SUPPORT ASSEMBLY, Rear Compartment Lid

37-38	1011-19-1211-19		4082103	1	1.95
37-39	1017-27-1217,				
40	1017-27-67-1217-1517-27	right	4082887*	1	3.06
37-39	1017-27-1217,				
40	1017-27-67-1217-1517-27	left	4082888*	1	3.06
*NOTE: When using 4082887-8 on 1937 models it is necessary to drill additional holes in deck lid and gutter.					
39-40	1011-19-1211-19-1511-19		4101866	1	1.95
41-48	SEDANS (exc. 1007)		4114964	2	1.95
41-48	CPES., CONV.		4114965	2	1.74
42-48	1007		4131286	1	3.26

### SUPPORT ASSEMBLY, End Gate

46-48	STA. WAG.	on rear corner post (use w/3847248-9)	3847294	2	1.51
49-54	STA. WAG.	right upper (push button type)	4622992	1	8.00
49-54	STA. WAG.	left upper (push button type)	4622993	1	8.00
49	1061	right upper	4583141	1	8.00
49	1061	left upper	4583142	1	8.00
49	1061	right lower	4565769	1	8.95
49	1061	left lower	4565770	1	8.95
49-54	STA. WAG. (exc. 1061)	right, lower	4617108	1	9.95
49-54	STA. WAG. (exc. 1061)	left, lower	4617109	1	9.95
51	STA. WAG.	right, upper (lift release type)	4605292	1	8.00
51	STA. WAG.	left, upper (lift release type)	4605293	1	8.00
46-48	STA. WAG.	ARM and BRKT. ASSY., R. upr. end gate	3847248	1	3.34
46-48	STA. WAG.	ARM and BRKT. ASSY., L. upr. end gate	3847249	1	3.34

### 12.204 SPRING—WASHER—GUIDE—PLATE, Rear Compartment Lid Support

35-36	1011-17-19,				
36	1211-17-19	SPRING, pull back coil ( $\frac{3}{8}$ diameter—1 $\frac{1}{2}$ long)	4063470	1	.06
37	1011-17-19-1211-17-19	SPRING, floating type support pull back, coil ( $\frac{3}{8}$ diameter—2 long)	4075325	1	.10
38-40	381011-17-19-1211-17-19, 391017-27- 1217, 401017-27-67-1217-1517-27	SPRING, cam, flat type ( $\frac{3}{8}$ max. width x $\frac{1}{2}$ high)	4085735	1	.06
38-40	381017-1217, 391017-27-1217, 401017- 27-67-1217-1517-27	SPRING, coil, support	4018366	2	.82
39	1011-19-1211-19,				
41-47	1007, CPES, CONV.	SPRING, cam (1 coil— $\frac{1}{2}$ I.D.)	4121855	2	.06
37	1017-1217	WASHER, support to body	4111310	2	(14.155)
50-52	STYLELINE (exc. STA. WAG.),				
53-54	PASS. (exc. STA. WAG.)	GUIDE	4593195	1	.15
50-52	STYLELINE (exc. STA. WAG.)	PLATE, guide pin and sup't anchor ( $\frac{3}{16}$ x $\frac{3}{4}$ x 2 $\frac{1}{16}$ )	4595265	1	.28
53-54	PASS. (exc. STA. WAG.)				
50-52	STYLELINE (exc. STA. WAG.),				
53-54	PASS. (exc. STA. WAG.)	PLATE, pin guide	4590011	1	.17

### END GATE PARTS

46-48	STA. WAG.	SPRING, left side	3847229	1	1.25
50-52	STA. WAG.	SPRING, support lever	4180878	2	.06
50-52	STA. WAG.	LEVER, support push button (stamping)	4150389	2	1.08
50-52	STA. WAG.	RIVET, support lever ( $\frac{1}{4}$ dia. x $\frac{1}{8}$ long)	4150390	2	.05

**12.205 KNOB, End Gate Support Bracket**

46-48	STA. WAG.		4161794	2	.38
-------	-----------	--	---------	---	-----

**12.212 BUMPER, Rear Compartment Lid**

41-48	PASS. (exc. 1007, STA. WAG.)	( $\frac{3}{8}$ x $\frac{3}{8}$ , round)	4114321	2	.08
42-48	1007,				
49-50	PASS. (exc. STA. WAG., SDL.)	( $\frac{3}{8}$ x $\frac{3}{8}$ , round, w/special hole)	4137121	2	.08
49-52	1062.	lower end gate support	4577310	2	.18
50-54	PASS. (exc. STA. WAG., SDL.)	(body side-plug type)	4595786	2	.07
53	STA. WAG.	lower end gate support	4615956	4	.10
54	STA. WAG.	tailgate support	4633112	4	.20

**12.233 PIN, Rear Compartment Lid**

34	569-81		103677	1	(8.939)
----	--------	--	--------	---	---------

**BRACKET—STRIP, Endgate**

46-49	STA. WAG. (W)	w/latch, right lower endgate	4162030	1	7.52
46-49	STA. WAG. (W)	w/latch, left lower endgate	4162031	1	7.52
46-48	STA. WAG.	STRIP, right endgate lock	4162032	1	4.73
46-48	STA. WAG.	STRIP, left endgate lock	4162033	1	4.73

**12.237 STRIKER—PLATE, Rear Compartment Lid Lock**

40	CPES, CONV.	( $2\frac{3}{8}$ x $2\frac{1}{2}$ long, with teeth)	4101846	1	.70
41-48	PASS. (exc. 1007, STA. WAG.)	(1 in. wide x $2\frac{1}{8}$ long, with teeth)	4113816	1	.35
42-48	1007.	( $1\frac{15}{16}$ wide x 3 long, with teeth)	4131037	1	.47
49	FLEETLINE	( $2\frac{1}{8}$ wide x $3\frac{13}{16}$ long, w/teeth)	4563704	1	.40
49-54	PASS. (exc. FLTLN., STA. WAG., SDL.)	( $2\frac{3}{8}$ wide x $3\frac{13}{16}$ long, w/teeth)	4578531	1	.52
50-52	FLEETLINE	( $2\frac{1}{4}$ wide x $3\frac{13}{16}$ long, w/teeth)	4579016	1	.52
49-52	PASS.	PLATE, striker anchor (welded to body)	4563199	1	.98
53-54	PASS. (exc. STA. WAG., SDL.)	PLATE, striker anchor	4598625	1	.98

**STRIKER—PLATE, Endgate Lock**

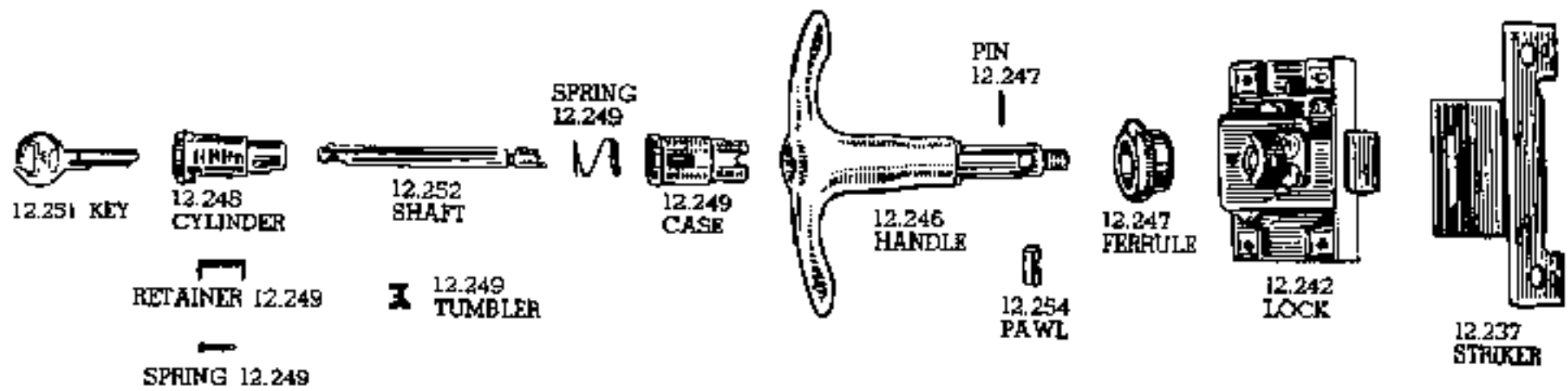
46-48	STA. WAG.	lower endgate lock	3847244	1	1.17
49-54	STA. WAG. (exc. 1061)	upper endgate ( $1\frac{1}{8}$ x $2\frac{1}{8}$ long)	4564134	1	1.45
49-54	STA. WAG. (exc. 1061)	lower endgate ( $1\frac{1}{8}$ x $2\frac{1}{8}$ long)	4564859	2	1.45
49	1061	upper endgate ( $1\frac{1}{8}$ wide x 2 long)	4566766	1	1.17
46-48	STA. WAG.	PLATE, lower endgate adjustable wedge	4162037	1	.87
46-49	STA. WAG.	PLATE, lower endgate anti-rattle	4162036	3	.28
49	STA. WAG.	PLATE, right body side-adjustable	4565380	1	1.17
49-54	STA. WAG. (exc. 1061)	PLATE, wedge, upr. and lwr. anti-rattle ( $\frac{5}{8}$ x $1\frac{1}{2}$ )	4568413	4	.75
49-54	STA. WAG. (exc. 1061)	PLATE, body side wedge—upper and lower end gate ( $\frac{5}{8}$ wide x $3\frac{5}{8}$ long)	4574137	2	.98

**12.241 SUPPORT—COVER, Rear Compartment Lid Lock End**

35-40	PASS.	outer	4072039	1	.13
35-40	PASS.	inner	4072040	1	.13
49-52	PASS. (exc. STA. WAG.)	COVER	4579017	1	.47
49-54	1062-62D-62F	COVER, upper endgate lock	4563176	1	2.78
53-54	PASS. (exc. STA. WAG., SDL.)	COVER	4572957	1	.47
53	1262F	COVER, upper end gate lock	4623207	1	1.85
54	1262F	COVER, lift gate lock	4641635	1	1.00

**12.242 LOCK, Rear Compartment Lid**

35-36	351011-19, 361011-19-1211-19	(for single handle lid)	4072180	1	4.55
31-34	558-68-78,				
35-36	1017-57-1217-57,				
37-38	1067-87		4059062	1	2.22
37-38	1017-1217		4074022	1	2.95
37-38	1011-19-1211-19		4074036	1	3.31
39	1011-19-1211-19		4090233	1	2.45
39	1017-27-1217		4090210	1	2.95
40	1017-27-67-1217-1517-27		4102349	1	2.95



## REAR COMPARTMENT LOCK PARTS

40	1011-19-1211-19-1511-19.....	(side locking type).....	4102364	1	2.63
40-48	PASS. (exc. STA. WAG.).....	(centerlocking type).....	4129651	1	3.12
49	PASS. (exc. STA. WAG.).....		4560685	1	2.68
50	PASS. (exc. STA. WAG.).....		4579015	1	2.95
51-52	PASS. (exc. STA. WAG.).....		4576315	1	3.98
53-54	PASS. (exc. STA. WAG., SDL.).....		4572916	1	3.92

### LOCK, End Gate

46-47	STA. WAG.....	upper end gate, inside (2 wide x 3 $\frac{3}{8}$ long, w/curved thin handle $\frac{1}{8}$ thick).....	3847250	1	6.26
48-54	STA. WAG. (exc. 1262F).....	upper end gate, inside (1 $\frac{7}{8}$ wide x 3 long, w/handle $\frac{1}{2}$ thick).....	4605784	1	6.60
49-54	STA. WAG. (exc. 1061).....	right, with handle lower end gate.....	4605814	1	8.91
49-54	STA. WAG. (exc. 1061).....	left, with handle lower end gate.....	4605815	1	8.91
53-54	1262F.....	upper inside.....	4611198	1	5.95
54	1262F.....	CAP, lift gate lock nut ( $\frac{3}{4}$ hex. head).....	4151403	1	.65

### 12.246 HANDLE (LESS CYLINDER), Rear Compartment Lid Lock

35-36	351017-57, 361017-57-1217-67.....		4059818	1	3.12
37-38	1067-87.....		4082096	1	3.12
35-36	1011-19-1211-19,				
37-40	1011-17-19-1211-17-19-1511-19.....	(over-all length 3 $\frac{3}{8}$ ).....	4102368	1	3.15
40	1011-17-19-27-67-1211-17-19-1511-17-19	(over-all length 4 $\frac{1}{4}$ , center lock type).....	4102357	1	3.15
41	PASS.....		4118492	1	3.15
42-48	PASS. (exc. 1007, STA. WAG.).....		4125644	1	4.37
42-48	1007.....		4125645	1	4.37
49	PASS. (exc. STA. WAG.).....		4167893	1	2.93
47-54	STA. WAG.....	upper end gate (outside).....	4171922	1	3.66
50	PASS. (exc. FLTLN., STA. WAG.).....		4578807	1	3.70
50	FLEETLINE.....		4579256	1	3.70
51	FLEETLINE w/P.G.....	(emblem) "POWER GLIDE".....	3699037	1	3.95
51	STYLELINE w/P.G.....	(emblem) "POWER GLIDE".....	3699036	1	3.95
51	FLEETLINE (exc. P.G.).....	(emblem).....	3695664	1	3.28
51	STYLELINE (exc. P.G.).....	(emblem).....	3695335	1	3.28
52	1007 w/P.G.....	(emblem) "POWER GLIDE".....	3699723	1	4.75
52	STYLELINE w/P.G.....	(emblem) "POWER GLIDE".....	3699721	1	4.75
52	1007 (exc. P.G.).....	(emblem).....	3699708	1	4.25
52	STYLELINE (exc. P.G.).....	(emblem).....	3699617	1	4.25
53	PASS. w/P.G.....	(emblem) "POWERGLIDE".....	3702732	1	4.85
53	PASS. (exc. P.G.).....	(emblem).....	3702729	1	4.85
54	PASS. (exc. STA. WAG., SDL.).....	(emblem).....	3709031	1	3.50

### 12.247 HANDLE (W/CYLINDER and KEYS), Rear Compartment Lid Lock

42-48	PASS. (exc. 1007, STA. WAG., SDL.).....		4148246	1	6.40
42-48	1007.....		4148247	1	6.40
46-47	STA. WAG.....	upper end gate (w/cyl. and keys) (L type).....	609908	1	4.32
49	PASS. (exc. STA. WAG.).....	(T type w/cyl. and keys).....	4563164	1	5.63



**PARTS, Rear Compartment Lid Lock Handle**

41	PASS.	FERRULE, with grommet on outside ( $\frac{3}{4}$ I.D. x 1 O.D. x $\frac{3}{16}$ high)	4114570	1	(10.537)
29-39	PASS., ROADSTER,				
38-40	PASS.	FERRULE, w/grommet ( $\frac{3}{4}$ I.D. x $1\frac{1}{16}$ O.D. x $\frac{3}{4}$ long)	4125630	1	(10.537)
49	PASS. (exc. STA. WAG.)	GROMMET, ferrule	4082057	1	(10.538)
38-41	PASS.	SPRING, tension	4043224	1	(10.551)
34-50	PASS. (exc. STA. WAG.)	PIN	4045949	1	(10.551)
34-50	PASS. (exc. STA. WAG.)	WASHER, handle end	4240199	1	(10.546)
29-32	8880, 30557, ROADSTER.	WASHER, handle retainer	4059081	1	(12.250)
35-40	PASS.	HOUSING, w/cylinder and keys ( $5\frac{3}{8}$ long)	4571890*	1	4.68
50	PASS. (exc. FLTLN., STA. WAG.)	HOUSING, w/cylinder and keys ( $5\frac{3}{8}$ long)	4579373*	1	4.68
50	FLEETLINE.				

\*NOTE: Part Nos. 4571890 and 4579373 include cylinder and 2 keys coded to no specified key number.

50	PASS. (exc. FLTLN., STA. WAG.)	HOUSING, less internal parts ( $5\frac{3}{8}$ long)	4170868	1	2.10
50	FLEETLINE.	HOUSING, less internal parts ( $5\frac{3}{8}$ long)	4173545	1	2.10
51-54	PASS. (exc. STA. WAG., SDL.)	LOCK ASSY. (w/2 keys)	4588051	1	3.00
50	PASS. (exc. STA. WAG.)	GASKET UNIT (1 upper and 1 lower gasket)	3695023	1	.24
51-54	PASS. (exc. STA. WAG., SDL.)	GASKET ( $1\frac{1}{8}$ O.D.)	4587931	1	.06

**12.248 CYLINDER, Rear Compartment Lid Lock**

35-41	PASS.	(less keys and tumblers)	601263	1	(10.550)
42-48	PASS. (exc. STA. WAG.)	(less keys and tumblers)	607162	1	.82
49	PASS. (exc. STA. WAG.)	(less tumblers and keys)	3692523	1	.77
50	PASS. (exc. STA. WAG.)	(less tumblers and keys)	513612	1	.82
47-54	STA. WAG.	upper end gate (with 2 keys coded to no specified key number)	3692500	1	1.37
51-54	PASS. (exc. STA. WAG., SDL.)	(less tumbler and keys)	3697944	1	1.50

**12.249 CYLINDER PARTS, Rear Compartment Lid Lock**

35-37	CPES, CONV.	CASE, cylinder	601274	1	.25
35-37	PASS. (exc. CPES, CONV.)				
38-48	PASS. (exc. STA. WAG.)	CASE, cylinder	607071	1	.25
51-54	PASS. (exc. STA. WAG., SDL.)	CASE, cylinder	7003013	1	.25
51-54	PASS. (exc. STA. WAG., SDL.)	CAP, cylinder case	7003014	1	.23
49-50	PASS. (exc. STA. WAG.)	CASE and SPRING, cylinder	3692522	1	.43
34-50	PASS. (exc. STA. WAG.)	SPRING, cylinder tension	4043224	1	(10.551)
51-54	PASS. (exc. STA. WAG., SDL.)	SPRING, cylinder coil	7001087	1	.16
35-54	PASS.	TUMBLER SET, copper (contains 72 tumblers)	601256	A.R.	(10.553)
35-54	PASS.	TUMBLER SET, nickel (contains 72 tumblers)	601257	A.R.	(10.553)
35-54	PASS.	TUMBLER SET, black (contains 72 tumblers)	601258	A.R.	(10.553)
35-54	PASS.	TUMBLER SET, yellow (contains 72 tumblers)	601259	A.R.	(10.553)
35-54	PASS.	SPRING SET, (contains 144 springs)	601260	A.R.	(10.553)
35-54	PASS.	RETAINER SET, (contains 12 retainers)	601261	A.R.	(10.553)
46-48	PASS. (exc. STA. WAG., SDL.)	RETAINER, horseshoe type	4146973	1	.02
51-54	PASS. (exc. STA. WAG., SDL.)	RETAINER, lock cylinder	4602513	1	.11
51-54	PASS. (exc. STA. WAG., SDL.)	REPAIR KIT, lid lock	3698046*	1	.55

\*NOTE: 3698046 includes cylinder shutter, cover, cover springs and case cap.

**12.250 WASHER—SPRING—ESCUTCHEON—RING, Rear Compartment Lid Lock**

35-40	PASS.	WASHER	4059081	1	.03
34-50	PASS. (exc. STA. WAG.)	SPRING, tension	4043224	1	(10.551)
47-54	STA. WAG.	ESCUTCHEON, upper end gate handle	4171921	1	.67
47-54	STA. WAG.	RING, upper end gate handle	4150680	1	.22
47-54	STA. WAG.	UNIT, upper end gate locking handle repair	3692798*	1	.53

\*NOTE: 3692798 consists of: 1 bushing (threaded), 1 wave washer, 1 pin, 1 spring and 1 escutcheon washer.

**12.251 KEY, Rear Compartment Lid Lock Handle**

35-48	PASS. (exc. STA. WAG.)	KEY BLANK (round head)	7002238	A.R.	(2.187)
49-54	PASS.	KEY BLANK (octagon head)	3694624	A.R.	(2.187)

**12.252 SHAFT, Rear Compartment Lid Lock Handle**

35-36	351017-57, 361017-57-1217.....	(2 <sup>5</sup> / <sub>16</sub> long).....	601266	1	.38
35-36	1011-19-1207A-11-19,				
37-39	1011-17-19-27-1211-17-19,				
40	PASS. (exc. 1217P-71-1517P-69-71).....	(1 <sup>11</sup> / <sub>16</sub> long).....	602553	1	.38
37-38	1067-87.....	(2 <sup>1</sup> / <sub>4</sub> long).....	602552	1	.38
41	PASS.....	(2 <sup>1</sup> / <sub>2</sub> long).....	605322	1	.38
42-48	PASS. (exc. 1007-61).....	(2 <sup>1</sup> / <sub>8</sub> long).....	607073	1	.38
42-48	1007.....	(3 <sup>1</sup> / <sub>8</sub> long).....	607072	1	.43
49	PASS. (exc. STA. WAG.).....	(3.232—3.247 long).....	3692541	1	.38
50	PASS. (exc. FLTLN., STA. WAG.).....	(3.587 long).....	513580	1	.38
50	FLEETLINE.....	(3.387 long).....	3694652	1	.38
51-54	PASS. (exc. STA. WAG., SDL).....	(2.079 long).....	7003048	1	.22

**12.254 PAWL—SLEEVE, Rear Compartment Lid Lock Handle**

34-48	PASS. (exc. STA. WAG.).....		4023959	1	.10
49-50	PASS. (exc. STA. WAG.).....		4167906	1	.10
47-54	STA. WAG.....	upper end gate handle.....	4171920	1	.12
49	PASS. (exc. STA. WAG.).....	SLEEVE (5/8 thick x 1/2 O.D.).....	4565815	1	.05

**12.255 WEATHERSTRIP, Rear Compartment Lid**

37-39	1017-67-87-1217.....	(1 <sup>1</sup> / <sub>16</sub> x 5/8 x 176 long).....	4074631	1	4.47
37-39	1011-19-1211-19.....	(3/4 x 1 <sup>3</sup> / <sub>16</sub> x 141 long).....	4091472	1	2.95
40-48	PASS. (exc. 1007-61).....	(7/8 x 1 <sup>1</sup> / <sub>16</sub> x 175 long, with lip).....	4131754	1	4.52
42-48	1007.....	upper and sides (1 <sup>3</sup> / <sub>16</sub> x 1 <sup>1</sup> / <sub>8</sub> x 180 long, w/double lip).....	4125998	1	6.75
42-47	1007.....	lower (36 long).....	4132274	1	1.98
48	PASS. (exc. 1061).....	lower.....	4162616	1	1.07
49-52	FLEETLINE.....	gutter (60 <sup>1</sup> / <sub>16</sub> long).....	4605092	1	4.35
49-52	CPES, CONV., BEL AIR.....	gutter (67 <sup>1</sup> / <sub>2</sub> long).....	4605095	1	3.22
49-52	1011-69-1211-69.....	gutter (68 <sup>1</sup> / <sub>8</sub> long).....	4605081	1	3.70
49-52	PASS.....	on lid (109 long) (blue daub of paint).....	4590474	1	2.55
53-54	1011-69-1211-69-69W.....	gutter (69 <sup>1</sup> / <sub>2</sub> dev. length).....	4601338	1	4.00
53-54	CPES., CONV.....	gutter (red daub of ink).....	4603360	1	4.00
53-54	PASS.....	lid (119 O. L.) (silver daub of ink).....	4615298	1	3.15

**WEATHERSTRIP—RETAINER, End Gate**

49-54	STA. WAG.....	lower side (60 ft. roll, cut to size).....	3692045	A.R. (10.694)	
49	1061.....	upper end gate-top (4566817 molded on corner).....	4566970	1	1.98
49-54	STA. WAG. (exc. 1061).....	upper end gate-top (4566373 molded on corner).....	4566485	1	1.98
49	1061.....	upper end gate-bottom (4566816 molded on corner).....	4566969	1	1.42
49-54	STA. WAG. (exc. 1061).....	upper end gate-bottom (4566372 molded on corner).....	4566485	1	1.42
49-54	STA. WAG.....	lower end gate-bottom (molded 4572565).....	4572565	1	1.98
49	1061.....	upper end gate-top inside.....	4171777	1	1.42
49-54	STA. WAG.....	opening—on body (126 long half-round).....	4172355	1	1.13
52-54	STA. WAG.....	right, lower end gate corner (2 <sup>3</sup> / <sub>8</sub> long).....	4614914	1	.22
52-54	STA. WAG.....	left, lower end gate corner (2 <sup>3</sup> / <sub>8</sub> long).....	4614915	1	.22
52-54	STA. WAG.....	RETAINER, right—lower end gate corner w/strip (1 <sup>11</sup> / <sub>16</sub> long w/2 holes).....	4614916	1	.13
52-54	STA. WAG.....	RETAINER, left—lower end gate corner w/strip (1 <sup>11</sup> / <sub>16</sub> long w/2 holes).....	4614917	1	.13
53-54	STA. WAG.....	RETAINER, lower end gate lower w/strip (51 long).....	4625796	1	1.95

**12.271 RETAINER—CLIP, Rear Compartment Lid Gutter W/Strip**

48	PASS. (exc. STA. WAG.).....	(1 <sup>1</sup> / <sub>8</sub> wide x 35 long).....	4162577	1	.58
50	PASS. (exc. STA. WAG.).....	CLIP.....	4587970	1	.06

**12.415 SILL ASSY., Body Rear End—Lower**

46-48	STA. WAG.....		3847247	1	12.00
49	1061.....		4566132	1	9.75

**12.428 RAIL, Rear Quarter Bolt—Outer**

46-48	STA. WAG.	right (wood)	4162027	1	9.51
46-48	STA. WAG.	left (wood)	4162028	1	9.51
49-52	1062	right	4562733	1	2.25
49-52	1062	left	4562734	1	2.25
53-54	STA. WAG.	right	4602610	1	5.50
53-54	STA. WAG.	left	4602611	1	5.50

**12.492 SLATS, Roof**

46-49	STA. WAG.	universal length (cut to size)	3847265	32	1.25
-------	-----------	--------------------------------	---------	----	------

**12.491 PILLAR, Center Body**

40	1019-1219-1519	right and left	4103111	2	8.63
41-48	1019-1219	right	4148108	1	15.20
41-48	1019-1219	left	4148109	1	15.20
41-48	1069	right	4148110	1	15.20
41-48	1069	left	4148111	1	15.20
41-48	1019-69-1219	right (lower outer section)	4550580	1	2.82
41-48	1019-69-1219	left (lower outer section)	4550581	1	2.82
46-48	STA. WAG.	right	4164578	1	17.92
46-48	STA. WAG.	left	4164579	1	17.92
49	1061	right	4566036	1	30.94
49	1061	left	4566037	1	30.94
49-51	1008-1208	right	4578489	1	21.17
49-51	1008-1208	left	4578490	1	21.17
49-52	1069-1269	right	4578497	1	21.17
49-52	1069-1269	left	4578498	1	21.17
49-52	1062	right	4578491	1	21.17
49-52	1062	left	4578492	1	21.17
53	1069-1269	right	4629755	1	21.50
53	1069-1269	left	4629756	1	21.50
53-54	STA. WAG.	right	4601552	1	21.50
53-54	STA. WAG.	left	4601553	1	21.50
54	1069-1269W	right	4643455	1	21.50
54	1069-1269W	left	4643456	1	21.50
53-54	4-DOOR	FILLER, right ctr. pillar outer panel lower	4601510	1	.20
53-54	4-DOOR	FILLER, left ctr. pillar outer panel lower	4601511	1	.20
49-52	PASS. (exc. 4-DR.)	PLATE, right anchor—front door,			
49-52	4-DOOR	rear door	4561315	1	(10.571)
49-52	PASS. (exc. 4-DR.)	PLATE, left anchor—front door,			
49-52	4-DOOR	rear door	4561316	1	(10.571)

**12.492 PANEL—STRIP— Center Pillar**

49-52	1062	right inner trim—upper w/center (T-shape 18¾ long)	4577820	1	6.75
49-52	1062	left inner trim—upper w/center (T-shape, 18¾ long)	4577821	1	6.75
49-52	1052	inner trim—lower (T-shape 26¾ long)	4566337	2	3.25
50-52	SDL	right, inner	4563711	1	4.25
50-52	SDL	left inner	4563712	1	4.25
53-54	1062F-1262F	right, upper trim	4615511	1	1.15
53-54	1062F-1262F	left, upper trim	4615512	1	1.15
53	1062	right, upper trim—w/transfer	4620546	1	6.75
53	1062	left, upper trim—w/transfer	4620547	1	6.75
53-54	STA. WAG.	right, lower trim	4618011	1	1.45
53-54	STA. WAG.	left, lower trim	4618012	1	1.45
53-54	SDL	right, body lock pillar inner	4606288	1	4.25
53-54	SDL	left, body lock pillar inner	4606289	1	4.25
49	1061	STRIP, left—protector (metal 19½ long)	4564812	1	3.42
50-52	4 DR. (exc. STA. WAG.)	STRIP, right—protector (metal 27¼ long)	4560075	1	1.06
50-52	4 DR. (exc. STA. WAG.)	STRIP, left—protector (metal 27¼ long)	4560076	1	1.06
50-52	STA. WAG.	STRIP, right—protector (metal 27½ long)	4563097	1	1.06
50-52	STA. WAG.	STRIP, left—protector (metal 27½ long)	4563098	1	1.06
53-54	1069-1269-69W	STRIP, right—protector	4595553	1	1.11
53-54	1069-1269-69W	STRIP, left—protector	4595554	1	1.11
53-54	STA. WAG.	STRIP, right—protector	4598089	1	1.15
53-54	STA. WAG.	STRIP, left—protector	4598090	1	1.15

**12.496 PANEL—MOULDING, Rear Body Lock Pillar**

49-52	1062	right trim (T-shape 16 $\frac{1}{8}$ long)	4564667	1	3.00
49-52	1062	left trim (T-shape 16 $\frac{1}{8}$ long)	4564668	1	3.00
53-54	1062D-62F-1262F	right, trim upper, (T-shape 15 $\frac{1}{16}$ long) (painted)	4615755	1	1.35
53-54	1062D-62F-1262F	left, trim upper, (T-shape 15 $\frac{1}{16}$ long) (painted)	4615756	1	1.35
53-54	STA. WAG.	right, trim upper, (T-shape 15 $\frac{1}{16}$ long) (grained)	4620542	1	3.25
53-54	STA. WAG.	left, trim upper, (T-shape 15 $\frac{1}{16}$ long) (grained)	4620543	1	3.25
49-52	1062	MOULDING, right (curved 1 $\frac{13}{16}$ x 18 $\frac{1}{4}$ O.L.)	4565219	1	2.00
49-52	1062	MOULDING, left (curved 1 $\frac{13}{16}$ x 18 $\frac{1}{4}$ O.L.)	4565220	1	2.00
53-54	STA. WAG.	MOULDING, right, lower, finishing	4604265	1	1.65
53-54	STA. WAG.	MOULDING, left, lower, finishing	4604266	1	1.65

**12.541 COVER, Brake Main Cylinder Inspection**

36-54	PASS.	(3 $\frac{3}{8}$ diameter w/weatherstrip)	592865	1	.28
-------	-------	---	--------	---	-----

**12.559 SCREW, Toe and Floor Board**

40-48	PASS.	(No. 14—10 x $\frac{3}{4}$ truss head)	3652879	14	.02
-------	-------	--	---------	----	-----

**12.565 PLATE, Floor and Toe Board or Pan**

39	PASS.	floor and toe pan	3650387	1	1.90
40	PASS.	floor and toe board	3652881	1	1.90
41-48	PASS. (exc. CONV.)	floor and toe pan	3658087	1	1.87
41-48	CONV.	floor and toe pan	3659099	1	1.90
49-52	PASS.	floor and toe pan (13 wide x 17 $\frac{1}{2}$ long)	3688985	1	2.12
49-54	PASS.	toe pan (3 $\frac{1}{8}$ wide x 9 $\frac{1}{2}$ long)	3688675	1	.92
53	PASS.	floor and toe pan (15 $\frac{1}{4}$ wide x 19 long)	3702322	1	2.12

**12.579 BOARD—MOULDING—STUD—WASHER, Spare Tire Cover**

49-52	STA. WAG., SDL		4564621	1	6.95
53-54	STA. WAG.		4603706	1	6.95
53-54	SDL		4633150	1	6.95
49-52	STA. WAG.	MOULDING (34 $\frac{3}{4}$ O.L.)	4563662	1	(11.370)
50-54	STA. WAG., SDL	STUD	4576354	2	.25
50-54	STA. WAG., SDL	WASHER	4576353	2	.38

**12.584 BOARD—PANEL, Rear Compartment Division**

49-52	1227B		4563939	1	10.00
53	1227B		4597319	1	10.00
53	1227B	front compartment floor	4602619	1	15.95
54	1211WB	front compartment floor	4644636	1	15.95
54	1211WB	rear compartment division	4644488	1	10.00
49-52	CONV.	PANEL, upper	4616681	1	5.69
51-52	CONV., BEL AIR	PANEL, lower	4593986	1	2.55

**12.650 BRACE—REINFORCEMENT, Dash to Chassis Frame**

42-48	PASS.	right	4133712	1	1.90
42-48	PASS. (exc. STA. WAG.)				
49-52	PASS.	right	4560501	1	3.37
49-52	PASS.	left	4560502	1	3.37
53-54	PASS.	right	4596251	1	3.37
53-54	PASS.	left	4596252	1	3.37
50-52	PASS.	REINFORCEMENT, right	4560375	1	1.57
50-52	PASS.	REINFORCEMENT, left	4595884	1	1.57
53-54	PASS.	REINFORCEMENT, right—to brace	4599494	1	1.57
53-54	PASS.	REINFORCEMENT, left—to brace	4614479	1	1.57

**12.657 BRACE, Instrument Panel to Dash**

49-50	PASS.	inner and outer ( $\frac{5}{16}$ O.D. x 15 $\frac{1}{4}$ long)	3689497	2	.32
51-52	PASS.	inner ( $\frac{5}{16}$ dia. x 16 $\frac{1}{4}$ long)	3695651	1	.32
51-52	PASS.	outer ( $\frac{5}{16}$ dia. x 15 $\frac{1}{4}$ long)	3695653	1	.32
53-54	PASS.	inner ( $\frac{1}{16}$ dia. x 17 $\frac{3}{16}$ long)	3696953	1	.32
53-54	PASS.	outer ( $\frac{5}{16}$ dia. x 16 long)	3696955	1	.32



**12.659 BRACE, Hinge Pillar to Floor**

50-52	PASS.....	right.....	4563355	1	1.63
50-52	PASS.....	left.....	4563356	1	1.63
53-54	CONV., SPT. CPE.....	right.....	4596637	1	1.63
53-54	CONV., SPT. CPE.....	left.....	4596638	1	1.63

**12.684 BRACE, Lock Pillar**

49-52	CONV., BEL AIR.....	right, to floor, lower.....	4562107	1	1.78
49-52	CONV., BEL AIR.....	left, to floor, lower.....	4562108	1	1.78
50-52	BEL AIR.....	right, to floor, upper.....	4585571	1	1.63
50-52	BEL AIR.....	left, to floor, upper.....	4585572	1	1.63
50-52	1007-11-27-1207-11-27-27B.....	right, to sill.....	4560053	1	2.37
50-52	1007-11-27-1207-11-27-27B.....	left, to sill.....	4560054	1	2.37
53-54	1011-27-1211-27-27B.....	right, to sill.....	4595567	1	2.50
53-54	1011-27-1211-27-27B.....	left, to sill.....	4595568	1	2.50
53-54	CONV., SPT. CPE.....	right, to front floor.....	4599506	1	1.63
53-54	CONV., SPT. CPE.....	left, to front floor.....	4599507	1	1.63
53-54	CONV., SPT. CPE.....	right, to center floor.....	4603010	1	3.95
53-54	CONV., SPT. CPE.....	left, to center floor.....	4611443	1	3.95
53-54	CONV., SPT. CPE.....	right, to rear floor.....	4599058	1	1.10
53-54	CONV., SPT. CPE.....	left, to rear floor.....	4599059	1	1.10

**SUPPORT, Rear Quarter Arm Rest**

51-52	CPES.....	right.....	4593899	1	1.18
51-52	CPES.....	left.....	4593900	1	1.18

**12.751 NUT, Fender Anchor**

31-48	PASS. (exc. STA. WAG.).....		4034101	A.R.	.06
-------	-----------------------------	--	---------	------	-----

**12.768 BRACE ASSEMBLY, Rear Seat Back Compartment Panel**

49-50	CPES.....	right (to wheelhouse).....	4561835	1	1.57
49-52	1011-69-1211-69.....	right (to wheelhouse).....	4560523	1	1.35
49-52	1011-69-1211-69.....	left (to wheelhouse).....	4560524	1	1.35
49-52	FLEETLINE.....	right upper (to wheelhouse).....	4562056	1	1.32
49-52	FLEETLINE.....	left upper (to wheelhouse).....	4562057	1	1.32
49-52	FLEETLINE.....	right lower (to wheelhouse).....	4562203	1	.92
49-52	FLEETLINE.....	left lower (to wheelhouse).....	4562204	1	.92
49-52	CONV.....	right, compartment to floor pan.....	4594581	1	11.68
49-52	CONV.....	left, compartment to floor pan.....	4594582	1	11.68
50-52	STA. WAG.....	right, rear qtr. belt rail to floor pan.....	4564066	1	.77
50-52	STA. WAG.....	left, rear qtr. belt rail to floor pan.....	4564067	1	.77
50-52	BEL AIR.....	right.....	4578897	1	1.35
50-52	BEL AIR.....	left.....	4578898	1	1.35
51-52	CPES.....	right.....	4591100	1	1.57
51-52	CPES.....	left.....	4591101	1	1.57
53-54	1011-69-1211-69-69W.....	right.....	4595043	1	1.25
53-54	1011-69-1211-69-69W.....	left.....	4595044	1	1.25
53	1027-1227-27B.....	right.....	4605707	1	1.60
53	1027-1227-27B.....	left.....	4605708	1	1.60
53-54	SPT. CPE.....	right.....	4605715	1	1.60
53-54	SPT. CPE.....	left.....	4605716	1	1.60
53-54	SPT. CPE.....	right, hinge to wheelhouse.....	4603746	1	1.95
53-54	SPT. CPE.....	left, hinge to wheelhouse.....	4603747	1	1.95
53-54	STA. WAG.....	right, qtr. belt rail to whlhse.....	4601992	1	.55
53-54	STA. WAG.....	left, qtr. belt rail to whlhse.....	4601993	1	.55
53-54	STA. WAG.....	qtr. belt rail and floor pan.....	4601994	2	.75

**12.802 COVER—MAT—FASTENER, Dash Panel Instr. Cluster Inspection Hole**

49-54	PASS.....	COVER, voltage regulator mounting.....	3694370	1	.55
49-54	PASS.....	MAT, jute felt.....	3694371	1	.38
46-54	PASS.....	FASTENER.....	3692782	4 (15.282)	

**12.803 COWL ASSY., w/dash**

42-48	PASS. (exc. 1007-67)	less instrument panel	4132441	1	75.45
42-48	1007	less instrument panel	4132433	1	75.45
42-48	CONV.	less instrument panel	4139347	1	75.45
49-50	1011-27-69-1211-27-27B-69-71	with instrument panel	4582467	1	96.77
49-50	1007-08-1207-08	with instrument panel	4582469	1	96.77
49-50	CONV.	with instrument panel	4582481	1	107.71
50	BEL AIR	with instrument panel	4580717	1	96.77
50	STA. WAG.	with instrument panel	4582471	1	96.77
51-52	1011-27-69-1211-27-27B-69-71	with instrument panel	4613220	1	96.77
51-52	FLEETLINE	with instrument panel	4613222	1	96.77
51-52	CONV.	with instrument panel	4613226	1	102.50
51-52	BEL AIR	with instrument panel	4613227	1	96.77
51-52	STA. WAG.	with instrument panel	4613224	1	96.77
53-54	PASS. (exc. CONV., SPT. CPE, STA. WAG.)	with instrument panel	4638105	1	99.75
53	CONV.	with instrument panel	4624685	1	108.00
53	SPT. CPE.	with instrument panel	4624512	1	99.75
53-54	STA. WAG.	with instrument panel	4638109	1	108.00
54	CONV.	with instrument panel	4638113	1	108.00
54	SPT. CPE.	with instrument panel	4638112	1	99.75

**12.804 PANEL, Cowl Side**

41	PASS.	left	4117501	1	4.38
41	PASS. (exc. SDL.)	right (lower section)	4550629	1	1.95
41	PASS. (exc. SDL.)	left (lower section)	4550630	1	1.95
42-48	PASS.	right	4132430	1	4.68
42-48	PASS.	left	4132431	1	4.68
42-48	PASS. (exc. STA. WAG.)	right (lower section)	4550588	1	1.95
42-48	PASS. (exc. STA. WAG.)	left (lower section)	4550589	1	1.95
49-52	PASS.	right	4562034	1	5.98
49-52	PASS.	left	4562035	1	5.98
53-54	PASS.	right, lower	4628339	1	5.98
53-54	PASS.	left, lower	4628340	1	5.98
53-54	PASS.	right, inner	4595288	1	3.65
53-54	PASS.	left, inner	4595289	1	3.65

**12.805 REINFORCEMENT, Cowl Panel**

50-52	PASS.	right, w/anchor plate at check link	4566366	1	1.10
50-52	PASS.	left, w/anchor plate at check link	4566367	1	1.10
53-54	PASS.	right, at upper hinge	4619977	1	1.00
53-54	PASS.	left, at upper hinge	4619978	1	1.00

**12.807 FRAME—RETAINER, Windshield Upper**

49-52	CONV.	outer	4564470	1	9.23
49-50	CONV.	inner	4568737	1	5.43
49-52	PASS. (exc. CONV., B-A)	inner	4578125	1	4.94
49-52	STA. WAG.	inner	4578126	1	4.34
50	BEL AIR	inner	4580428	1	4.89
50-52	BEL AIR	outer	4577408	1	7.06
51-52	CONV.	inner	4593466	1	5.43
51-52	BEL AIR	inner	4593462	1	4.89
53-54	PASS. (exc. CONV., SPT. CPE, STA. WAG.)	inner	4602465	1	4.60
53-54	CONV.	inner	4600846	1	4.95
53-54	SPT. CPE.	inner	4600849	1	5.14
53-54	STA. WAG.	inner	4615799	1	4.60
50-52	BEL AIR	RETAINER, trim stick (37½ O.L.)	4579381	1	1.82

**12.808 RAIL, Windshield Side**

49	1007-8-1207-8	right	4579466	1	10.86
49-50	FLEETLINE	left	4580972	1	10.86
49-52	CONV.	right	4564042	1	7.06
49-52	CONV.	left	4564043	1	7.06
49-52	1011-27-69-1211-27-27B-69-71	right	4587379	1	10.86
49-52	1011-27-69-1211-27-27B-69-71	left	4591684	1	10.86

49-52	FLEETLINE	right	4580971	1	10.86
50-52	BEL AIR	right	4579529	1	4.62
50-52	BEL AIR	left	4579530	1	4.62
49-52	1062	right	4586947	1	10.04
49-52	1062	left	4591686	1	10.04
49-52	FLEETLINE	left	4591678	1	10.86
53-54	PASS. (exc. CONV., SPT. CPE., STA. WAG.)	right	4595028	1	4.15
53-54	PASS. (exc. CONV., SPT. CPE., STA. WAG.)	left	4595029	1	4.15
53-54	CONV.	right	4598719	1	5.50
53-54	CONV.	left	4598720	1	5.50
53-54	SPT. CPE.	right	4598717	1	4.35
53-54	SPT. CPE.	left	4598718	1	4.35
53-54	STA. WAG.	right	4600149	1	4.35
53-54	STA. WAG.	left	4600150	1	4.35

**FRAME, Windshield Side Inner**

49-52	CONV.	right	4594332	1	1.68
49-52	CONV.	left	4594333	1	1.68
50-52	BEL AIR	right	4594328	1	1.83
50-52	BEL AIR	left	4594329	1	1.83
53-54	PASS. (exc. CONV., SPT. CPE., STA. WAG.)	right	4594174	1	2.25
53-54	PASS. (exc. CONV., SPT. CPE., STA. WAG.)	left	4594175	1	2.25
53-54	CONV., SPT. CPE.	right	4597311	1	2.08
53-54	CONV., SPT. CPE.	left	4597312	1	2.08
53-54	STA. WAG.	right	4600063	1	2.60
53-54	STA. WAG.	left	4600064	1	2.60

**12.810 PANEL, Turret Top Roof Outer**

41-48	1011-19-1211-19	with insulator and drip mldg.	4114513	1	53.99
41-48	CPES	with insulator and drip mldg.	4114515	1	50.85
41-48	1069	with insulator less drip mldg.	4128067	1	54.14
41-48	SDL	with insulator and drip mldg.	4114502	1	54.14
42-48	1007	with insulator and drip mldg.	4132440	1	53.98
49-52	FLEETLINE	w/deadener felt and drip mldg.	3692558*	1	53.49
49-52	1069-1269	w/deadener felt and drip mldg.	3692557*	1	53.49
49-52	1011-1211	w/deadener felt and drip mldg.	4564767*	1	54.29
49-52	CPES	w/deadener felt and drip mldg.	4565080*	1	51.52
50-52	BEL AIR	w/deadener felt, front drip mldg. and side roof rail	4611080*	1	92.35
53-54	1011	w/deadener felt and drip mldg.	4598520*	1	52.95
53-54	1211-11W	w/deadener felt and drip mldg.	4598130	1	54.29
53	1027-1227-27B	w/deadener felt and drip mldg.	4598490*	1	51.52
53-54	1069-1269W	w/deadener felt and drip mldg.	4627789*	1	49.35
53	1269	w/deadener felt and drip mldg.	4598567	1	50.70
53-54	SPT. CPE.	w/deadener felt and drip mldg.	4615515*	1	51.52
53-54	SPT. CPE.	right, rear extension lower	4603753	1	.75
53-54	SPT. CPE.	left, rear extension lower	4603754	1	.75
54	SPT. CPE.	right, extension (roof to qtr. outer pnl.)	4595959	1	2.25
54	SPT. CPE.	left, extension (roof to qtr. outer pnl.)	4595960	1	2.25

\*NOTE: Series 1000 (exc. STA. WAG.) have an extra insulation, part No. 4569196 Group 12.812 that is not included with roof panel.

49-52	1062		4565113	1	74.91
49-52	SDL		4565168	1	106.62
49	1061		4571092	1	74.91
53-54	STA. WAG.		4599442	1	74.91
53-54	SDL		4600225	1	106.62

**PANEL, Top—Inner**

46-48	STA. WAG.	front	3847266	1	9.31
46-48	STA. WAG.	rear	3847267	1	18.05
54	1211-69W	FILLER, roof pnl. at back window (2 $\frac{3}{8}$ x 2 $\frac{3}{8}$ )	4641050	2	.20

**12.812 INSULATION, Turret Top Roof**

49-53	Ser. 1000 (exc. STA. WAG.),			
54	1011-69.....	(33 x 46).....	4569196	A.R. 3.43

**12.840 PILLAR, Front Body Hinge**

49-52	PASS.....	right.....	4560776	1 4.29
49-52	PASS.....	left.....	4560777	1 4.29
53	PASS. (exc. CONV., SPT. CPE., STA. WAG.).....	right.....	4594029	1 4.45
53	PASS. (exc. CONV., SPT. CPE., STA. WAG.).....	left.....	4594030	1 4.45
53	CONV., SPT. CPE.....	right.....	4597132	1 4.50
53	CONV., SPT. CPE.....	left.....	4597133	1 4.50
53	STA. WAG.....	right.....	4597768	1 4.35
53	STA. WAG.....	left.....	4597769	1 4.35
54	PASS. (exc. CONV., SPT. CPE., STA. WAG.).....	right.....	4644830	1 4.45
54	PASS. (exc. CONV., SPT. CPE., STA. WAG.).....	left.....	4644831	1 4.45
54	CONV., SPT. CPE.....	right.....	4644771	1 4.95
54	CONV., SPT. CPE.....	left.....	4644772	1 4.95
54	STA. WAG.....	right.....	4644832	1 4.95
54	STA. WAG.....	left.....	4644833	1 4.95

**12.895 PANEL, Front Door Outer**

41	1011-1211.....	right.....	4114390	1 14.98
41	1011-1211.....	left.....	4114391	1 14.98
41	1019-1219-71.....	left.....	4114399	1 12.49
41	CPES.....	left.....	4114387	1 14.98
41	CPES.....	right.....	4114388	1 14.98
42-48	CPES.....	left (jobs less upper belt moulding holes).....	4161422	1 16.88
42-48	CPES.....	right (jobs less upper belt moulding holes).....	4161421	1 16.88
42-48	1019-1219-71.....	right (less moulding holes).....	4161337	1 14.37
42-48	1019-1219-71.....	left (less moulding holes).....	4161338	1 14.37
42-48	CONV.....	right (less moulding holes).....	4161429	1 16.88
42-48	CONV.....	left (less moulding holes).....	4161430	1 16.88
42-48	1007.....	right (less moulding holes).....	4161425	1 16.88
42-48	1007.....	left (less moulding holes).....	4161426	1 16.88
42-48	1011-1211.....	right (less moulding holes).....	4161325	1 16.88
42-48	1011-1211.....	left (less moulding holes).....	4161326	1 16.88
42-48	1069.....	right (less moulding holes).....	4161321	1 14.37
42-48	1069.....	left (less moulding holes).....	4161322	1 14.37
49-52	SDL.....	right.....	4562779	1 16.02
49-52	SDL.....	left.....	4562780	1 16.02
49-52	1069-1269.....	right.....	4562781	1 15.95
49-52	1069-1269.....	left.....	4562782	1 15.95
49-52	1011-1211.....	right.....	4562829	1 17.45
49-52	1011-1211.....	left.....	4562830	1 17.45
49-52	CPES.....	right.....	4562835	1 17.45
49-52	CPES.....	left.....	4562836	1 17.45
49-52	1007-1207.....	right.....	4562847	1 17.45
49-52	1007-1207.....	left.....	4562848	1 17.45
49-51	1008-1208.....	right.....	4562869	1 15.95
49-51	1008-1208.....	left.....	4562870	1 15.95
49-52	CONV., BEL AIR.....	right.....	4564876	1 18.90
49-52	CONV., BEL AIR.....	left.....	4564877	1 18.90
49-52	1062.....	right.....	4581242	1 15.95
49-52	1062.....	left.....	4581243	1 15.95
49	1061.....	right—lower.....	4571052	1 20.09
49	1061.....	left—lower.....	4571053	1 20.09
53-54	1011-27-1211-27-27B.....	right.....	4596743	1 17.45
53-54	1011-27-1211-27-27B.....	left.....	4596744	1 17.45
53-54	1069-1269-69W.....	right.....	4596749	1 15.95
53-54	1069-1269-69W.....	left.....	4596750	1 15.95
53-54	CONV., SPT. CPE.....	right.....	4191754	1 18.90
53-54	CONV., SPT. CPE.....	left.....	4191755	1 18.90
53-54	STA. WAG.....	right.....	4601814	1 15.34



53-54	STA. WAG.	left	4601815	1	15.34	920
53-54	SDL	right	4800968	1	16.27	976
53-54	SDL	left	4600969	1	16.27	976
49	1061	FILLER, welt	4571744	2	(12.179)	

**12.913 PANEL, Rear Door Outer**

41-48	1019-1219	right (jobs less upper belt moulding holes)	4144334	1	14.37	862
41-48	1019-1219	left (jobs less upper belt moulding holes)	4144335	1	14.37	862
41-48	1069	left (jobs less upper belt moulding holes)	4144337	1	14.37	862
41-48	1069	right (jobs less upper belt moulding holes)	4144336	1	14.37	862
49	1061	right-lower	4571056	1	21.17	1270
49	1061	left-lower	4571057	1	21.17	1270
49-51	1008-1208	right	4174402	1	15.20	912
49-51	1008-1208	left	4174403	1	15.20	912
49-52	1069-1269	right	4174219	1	15.20	912
49-52	1069-1269	left	4174220	1	15.20	912
49-52	1062	right	4175383	1	15.20	912
49-52	1062	left	4175384	1	15.20	912
53-54	1069-1269-69W	right	4191752	1	15.55	933
53-54	1069-1269-69W	left	4191753	1	15.55	933
53-54	STA. WAG.	right	4191756	1	14.60	876
53-54	STA. WAG.	left	4191757	1	14.60	876
49	1061	FILLER, welt	4571744	2	(12.179)	

**12.934 PANEL-EXTENSION-FILLER, Door Rocker**

40	PASS.	right, outer	4103091	1	3.72	223
40	PASS.	left, outer	4103092	1	3.72	223
41	PASS.	right, outer	4148053*	1	3.72	223
41	PASS.	left, outer	4148054*	1	3.72	223

\*NOTE: Part Nos. 4148053-4 must be cut and reworked for correct alignment.

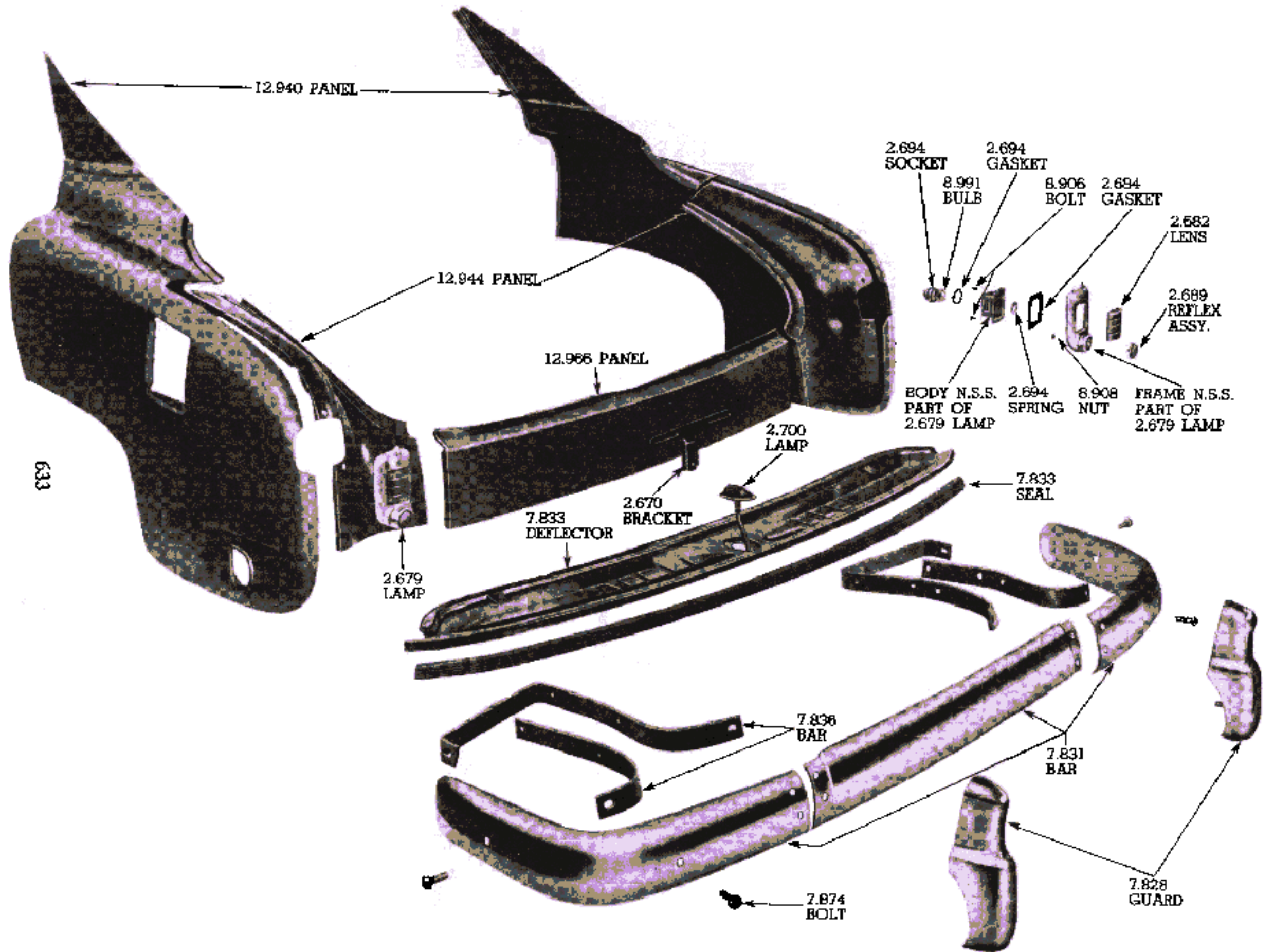
41-48	PASS.	right, inner	4132450	1	3.72	223
41-48	PASS.	left, inner	4132451	1	3.72	223
42-48	PASS.	right, outer	4148902*	1	3.72	223
42-48	PASS.	left, outer	4148903*	1	3.72	223

\*NOTE: When using 4148902-3 on 1942 models it is necessary to cut to size.

49-52	PASS.	right, outer	4169448	1	10.29	617
49-52	PASS.	left, outer	4169449	1	10.29	617
49-52	PASS.	right, inner	4580153	1	3.26	196
49-52	PASS.	left, inner	4580154	1	3.26	196
53	PASS.	right, outer	4191114	1	10.29	617
53	PASS.	left, outer	4191115	1	10.29	617
53-54	PASS.	right, inner	4594484	1	3.26	196
53-54	PASS.	left, inner	4594485	1	3.26	196
54	PASS.	right, outer	4633252	1	10.30	618
54	PASS.	left, outer	4633253	1	10.30	618
53-54	PASS.	EXTENSION, right, outer rocker panel at front	4595559	1	.77	46
53-54	PASS.	EXTENSION, left, outer rocker panel at front	4595560	1	.77	46
53-54	2-DOOR	FILLER, right, outer rocker panel rear	4595714	1	.57	34
53-54	2-DOOR	FILLER, left, outer rocker panel rear	4595715	1	.57	34
53-54	4-DOOR	FILLER, right, outer rocker panel rear	4595716	1	.57	34
53-54	4-DOOR	FILLER, left, outer rocker panel rear	4595717	1	.57	34

**12.940 PANEL ASSEMBLY, Rear Quarter Side Outer**

40	1011	left	4111679	1	38.26	2296
40	1017-27-1217-17P-1517	left	4103127	1	39.63	2378
40	1211-1511	left	4111680	1	38.26	2296
41-48	CPES.	right, less lower corner panel w/tail lamp opening	4148080	1	43.46	2608
41-48	CPES.	left, less lower corner panel w/tail lamp opening	4148081	1	43.46	2608
41-48	1011-1211	right, less lower corner panel w/tail lamp opening	4148082	1	48.66	2920
41-48	1011-1211	left, less lower corner panel w/tail lamp opening	4148083	1	48.66	2920
42-48	CONV.	right, less lower corner panel w/tail lamp opening	4160999	1	48.66	2920



633

**PASSENGER REAR END—EXPLODED**

42-48	CONV.....	left, less lower corner panel w/tail lamp opening.....	4161000	1	48.66
42-48	1007.....	right, less lower corner panel w/tail lamp opening.....	4148088	1	48.66
42-48	1007.....	left, less lower corner panel w/tail lamp opening.....	4148089	1	48.66
41-48	1069.....	right, less lower corner panel w/tail lamp opening.....	4148086	1	38.26
41-48	1069.....	left, less lower corner panel w/tail lamp opening.....	4148087	1	38.26
41-48	SDL.....	right.....	4161192	1	53.42
41-48	SDL.....	left.....	4161193	1	53.42
41-48	1019-1219.....	right, less lower corner panel w/tail lamp opening.....	4148084	1	38.26
41-48	1019-1219.....	left, less lower corner panel w/tail lamp opening.....	4148085	1	38.26
48-48	STA. WAG.....	right, frame assy. (less panels).....	3847272	1	164.02
48-48	STA. WAG.....	left, frame assy. (less panels).....	3847273	1	164.02
49-50	1008-1208.....	right.....	4581033	1	41.02
49-50	1008-1208.....	left.....	4581034	1	41.02
49-50	1007-1207.....	right.....	4581073	1	54.14
49-50	1007-1207.....	left.....	4581074	1	54.14
49-50	1069-1269.....	right.....	4581053	1	41.02
49-50	1069-1269.....	left.....	4581054	1	41.02
49-50	1011-1211.....	right.....	4581017	1	54.14
49-50	1011-1211.....	left.....	4581018	1	54.14
49-50	1027-1227-27B.....	right.....	4565074	1	54.14
49-50	1027-1227-27B.....	left.....	4584723	1	54.14
49-52	1062.....	right.....	4613847	1	54.14
49-52	1062.....	left.....	4613848	1	54.14
49-52	SDL.....	right.....	4565164	1	46.48
49-52	SDL.....	left.....	4565165	1	46.48
49	CONV.....	right.....	4566982	1	65.06
49	CONV.....	left.....	4566983	1	65.06
49	1061.....	right, frame assy.....	4570751	1	180.42
49	1061.....	left, frame assy.....	4570752	1	180.42
50	CONV.....	right.....	4584203	1	65.06
50	CONV.....	left.....	4584204	1	65.06
50	BEL AIR.....	right.....	4582252	1	57.12
50	BEL AIR.....	left.....	4582253	1	57.12
51-52	1007-1207.....	right.....	4611493	1	61.78
51-52	1007-1207.....	left.....	4611494	1	61.78
51-52	1011-1211.....	right.....	4611930	1	61.78
51-52	1011-1211.....	left.....	4611931	1	61.78
51	1008-1208.....	right.....	4588138	1	47.29
51	1008-1208.....	left.....	4588139	1	47.29
51-52	1069-1269.....	right.....	4611932	1	47.29
51-52	1069-1269.....	left.....	4611933	1	47.29
51-52	CPES.....	right.....	4611678	1	56.78
51-52	CPES.....	left.....	4611679	1	56.78
51-52	CONV.....	right.....	4190946	1	70.72
51-52	CONV.....	left.....	4190947	1	70.72
51-52	BEL AIR.....	right.....	4190948	1	62.19
51-52	BEL AIR.....	left.....	4190949	1	62.19
53-54	1011-1211.....	right.....	4191845	1	63.75
53-54	1011-1211.....	left.....	4191846	1	63.75
53	1027-1227-27B.....	right.....	4196466	1	58.75
53	1027-1227-27B.....	left.....	4196467	1	58.75
53-54	1069-1269-69W.....	right.....	4191863	1	49.00
53-54	1069-1269-69W.....	left.....	4191864	1	49.00
53-54	CONV.....	right.....	4197306	1	72.45
53-54	CONV.....	left.....	4197307	1	72.45
53-54	SPT. CPE.....	right.....	4197300	1	64.00
53-54	SPT. CPE.....	left.....	4197301	1	64.00
53	1062.....	right.....	4599436	1	55.75
53	1062.....	left.....	4599437	1	55.75
53	1062F-1262F.....	right.....	4599440	1	55.75
53	1062F-1262F.....	left.....	4599441	1	55.75
53-54	SDL.....	right.....	4600221	1	47.95

53-54	SDL.....	left.....	4600222	1	47.95
54	1062D.....	right.....	4641400	1	59.75
54	1062D.....	left.....	4641401	1	59.75
54	1062F-1262F.....	right.....	4641979	1	59.75
54	1062F-1262F.....	left.....	4641980	1	59.75

**PANEL, Rear Quarter Side Outer (Outer panel only)**

49-52	1062.....	right—upper.....	4560532	1	21.93
49-52	1062.....	left—upper.....	4560533	1	21.93
49-52	1062.....	right—lower.....	4560534	1	13.68
49-52	1062.....	left—lower.....	4560535	1	13.68
49	1061.....	right, lower.....	4567126	1	13.68
49	1061.....	left, lower.....	4567127	1	13.68
49-50	1069-1269.....	right.....	4571218	1	19.14
49-50	1069-1269.....	left.....	4571219	1	19.14
49-50	1007-1207.....	right.....	4585703	1	38.00
49-50	1007-1207.....	left.....	4585704	1	38.00
49-50	1008-1208.....	right.....	4571717	1	19.14
49-50	1008-1208.....	left.....	4571718	1	19.14
49-50	CPES.....	right.....	4585715	1	40.65
49-50	CPES.....	left.....	4585716	1	40.65
49-50	1011-1211.....	right.....	4585728	1	38.00
49-50	1011-1211.....	left.....	4585729	1	38.00
49	CONV.....	right.....	4559871	1	32.26
49	CONV.....	left.....	4559872	1	32.26
49-52	SDL.....	right.....	4560540	1	27.34
49-52	SDL.....	left.....	4560541	1	27.34
50	CONV.....	right.....	4584348	1	34.98
50	CONV.....	left.....	4584349	1	34.98
50	BEL AIR.....	right.....	4582258	1	30.62
50	BEL AIR.....	left.....	4582259	1	30.62
51-52	1007-1207.....	right.....	4588102	1	40.75
51-52	1007-1207.....	left.....	4588103	1	40.75
51-52	1011-1211.....	right.....	4588168	1	40.75
51-52	1011-1211.....	left.....	4588169	1	40.75
51	1008-1208.....	right.....	4585441	1	21.05
51	1008-1208.....	left.....	4585442	1	21.05
51-52	1069-1269.....	right.....	4586788	1	21.05
51-52	1069-1269.....	left.....	4586789	1	21.05
51-52	CPES.....	right.....	4589081	1	41.74
51-52	CPES.....	left.....	4589082	1	41.74
51-52	CONV.....	right.....	4593060	1	34.98
51-52	CONV.....	left.....	4593061	1	34.98
51-52	BEL AIR.....	right.....	4593074	1	33.35
51-52	BEL AIR.....	left.....	4593075	1	33.35
53-54	1011-1211-11W.....	right.....	4191843	1	41.55
53-54	1011-1211-11W.....	left.....	4191844	1	41.55
53	1027-1227-27B.....	right.....	4196464	1	43.35
53	1027-1227-27B.....	left.....	4196465	1	43.35
53-54	1069-1269-69W.....	right.....	4191861	1	21.80
53-54	1069-1269-69W.....	left.....	4191862	1	21.80
53-54	CONV.....	right.....	4197308	1	34.98
53-54	CONV.....	left.....	4197309	1	34.98
53-54	SPT. CPE.....	right.....	4197302	1	33.35
53-54	SPT. CPE.....	left.....	4197303	1	33.35
53-54	1062F-1262F.....	right—upper.....	4612853	1	21.93
53-54	1062F-1262F.....	left—upper.....	4612854	1	21.93
53-54	1062-62D.....	right—upper.....	4612841	1	21.93
53-54	1062-62D.....	left—upper.....	4612842	1	21.93
53-54	STA. WAG.....	right—lower.....	4612847	1	13.95
53-54	STA. WAG.....	left—lower.....	4612848	1	13.95
53-54	SDL.....	right.....	4600223	1	28.85
53-54	SDL.....	left.....	4600224	1	28.85
49	1061.....	FILLER, welt.....	4571744	2	(12.179)

**PANEL, Rear Fender Replacement Section**

49-50	2-DOOR.....	left.....	3695625	1	11.38
49-50	2-DOOR.....	right.....	3695626	1	11.38



49-50	4-DOOR	left	3695627	1	10.29
49-50	4-DOOR	right	3695628	1	10.29
51-52	2-DOOR	left	3696967	1	12.74
51-52	2-DOOR	right	3696968	1	12.74
51-52	4-DOOR	left	3696969	1	12.42
51-52	4-DOOR	right	3696970	1	12.42
53-54	2-DOOR (exc. SDL)	left	3703175	1	13.95
53-54	2-DOOR (exc. SDL)	right	3703176	1	13.95
53-54	1069-1269-69W	left	3703177	1	12.75
53-54	1069-1269-69W	right	3703178	1	12.75

**12.941 PANEL, Rear Quarter Side Inner**

41-48	1011-1211	right	4114906	1	13.35
41-48	1011-1211	left	4114907	1	13.35
41-48	1019	right	4114902	1	4.89
41-48	1019	left	4114903	1	4.89
41-48	1027	right	4114908	1	4.89
41-48	1027	left	4114909	1	4.89
41-48	1027B-1227-27B	right	4117413	1	4.89
41-48	1027B-1227-27B	left	4117414	1	4.89
41-48	1219	right	4114904	1	4.89
41-48	1219	left	4114905	1	4.89
42-48	1007	right	4132412	1	13.35
42-48	1007	left	4132413	1	13.35
42-48	CONV.	right (after body No. 1125)	4161108	1	15.75
42-48	CONV.	left (after body No. 1125)	4161109	1	15.75
49	1069-1269	right	4559599	1	1.78
49	1069-1269	left	4559600	1	1.78
49	1008-1208	right	4561425	1	1.35
49	1008-1208	left	4561426	1	1.35
49	1027	right	4562222	1	13.03
49	1027	left	4562223	1	13.03
49-52	1011-1211	right	4593903	1	15.20
49	1011-1211	left	4562599	1	15.20
49	1011-1211	right, lock pillar upper section	4173462	1	4.89
49	1011-1211	left, lock pillar upper section	4173463	1	4.89
49	1007-1207	right	4562603	1	15.75
49	1007-1207	left	4562604	1	15.75
49	1007-1207	right, lock pillar upper section	4173460	1	4.17
49	1007-1207	left, lock pillar upper section	4173461	1	4.17
49-52	CONV.	right	4564153	1	5.69
49-52	CONV.	left	4564154	1	5.69
49-52	SDL	right, inside corner	4610675	1	8.15
49-52	SDL	left, inside corner	4610273	1	7.43
49-52	1227-27B	right	4585754	1	7.60
49-52	1227-27B	left	4585755	1	7.60
50-52	BEL AIR	right	4615582	1	15.75
50-52	BEL AIR	left	4579558	1	15.75
50-51	1008-1208	right	4585831	1	1.63
50-51	1008-1208	left	4585832	1	1.63
50-52	1069-1269	right	4580901	1	1.48
50-52	1069-1269	left	4580902	1	1.48
50-52	1011-1211	left	4593904*	1	15.20
50-52	1007-1207	right	4593901*	1	15.20
50-52	1007-1207	left	4593902*	1	15.20
50-52	1027	right	4585752	1	13.58
50-52	1027	left	4585753	1	13.58
50-52	1007-1207	right, lock pillar upper section	4178248	1	2.50
50-52	1007-1207	left, lock pillar upper section	4178249	1	2.50
50-52	1011-1211	right, lock pillar upper section	4178250	1	2.72
50-52	1011-1211	left, lock pillar upper section	4178251	1	2.72
53	1011-1211	right	4606593	1	15.75
53	1011-1211	left	4606594	1	15.75
53	1027	right	4598526	1	13.58
53	1027	left	4598527	1	13.58
53	1227-27B	right	4598528	1	7.60
53	1227-27B	left	4598529	1	7.60
53-54	1069-1269-69W	right	4605847	1	3.65

53-54	1069-1269-69W	left	4605848	1	3.65
53-54	CONV.	right	4603083	1	5.69
53-54	CONV.	left	4603084	1	5.69
53-54	SPT. CPE.	right—front	4603081	1	9.90
53-54	SPT. CPE.	left—front	4603082	1	9.90
53-54	SPT. CPE.	right—rear	4603298	1	1.65
53-54	SPT. CPE.	left—rear	4603299	1	1.65
53-54	SDL	right—inside corner	4602591	1	8.45
53-54	SDL	left—inside corner	4602592	1	8.45
54	1011-1211W	right	4644553	1	17.45
54	1011-1211W	left	4644554	1	17.45
54	1211WB	right	4644558	1	15.75
54	1211WB	left	4644559	1	15.75
50-52	BEL AIR	COVER, right qtr. panel insp. hole	4578433	1	1.08
50-52	BEL AIR	COVER, left qtr. panel insp. hole	4578434	1	1.08
50-52	CONV.	CAP, left inner panel finishing	4585534	1	.22
50-52	BEL AIR	EXTENSION, right inner panel upper	4578914	1	3.20
50-52	BEL AIR	EXTENSION, left inner panel upper	4578915	1	3.20
49-52	CPES	REINFORCEMENT, right body lock pillar inner upper	4580942	1	.83
49-52	CPES	REINFORCEMENT, left body lock pillar inner upper	4580943	1	.83

\*NOTE: When using the above parts on 1950 models use old drain tube.

### 12.942 PANEL, Rear Quarter Corner—Lower Rear

41-48	1011-19-1211-19	right (w/tail lamp opening)	4146802	1	1.57
41-48	1011-19-1211-19	left (w/tail lamp opening)	4146803	1	1.57
41-48	1069	right (w/tail lamp opening)	4146950	1	1.57
41-48	1069	left (w/tail lamp opening)	4146951	1	1.57
41-48	CPES, CONV.	right (w/tail lamp opening)	4147011	1	1.57
41-48	CPES, CONV.	left (w/tail lamp opening)	4147012	1	1.57
42-48	1007	right (w/tail lamp opening)	4147127	1	1.78
42-48	1007	left (w/tail lamp opening)	4147128	1	1.78

### 12.944 PANEL, Rear Quarter Outer, Sections

41-48	1007-27-27B-67-1227-27B-27P	right (fender attaching)	4550590	1	9.23
41-48	1007-27-27B-67-1227-27B-27P	left (fender attaching)	4550591	1	9.23
41-48	PASS. (exc. 1019-61-69-1219-71)	right (lower front)	4550592	1	4.08
41-48	PASS. (exc. 1019-61-69-1219-71)	left (lower front)	4550593	1	4.08
41-48	1011-19-69-1211-19	right (fender attaching)	4550601	1	9.23
41-48	1011-19-69-1211-19	left (fender attaching)	4550602	1	9.23
46-48	STA. WAG.	filler, upper	3847256	2	19.00

### PANEL, Rear Body Lock Pillar

41-48	1069	left, lower	4550682	1	3.52
41-48	1019-69-1219	right, lower	4550681	1	3.52
41-48	1019-1219	left, lower	4550698	1	3.52
49-50	1008-1208	right	4562340	1	6.25
49-50	1008-1208	left	4562341	1	6.25
49-52	1069-1269	right	4587856	1	6.51
49-52	1069-1269	left	4587857	1	6.51
49-52	1062	right	4562352	1	6.51
49-52	1062	left	4562353	1	6.51
49-52	1062	right, inner (metal—27½ O.L. x 2⅝ wide at center)	4562651	1	2.17
49-52	1062	left, inner (metal—27½ O.L. x 2⅝ wide at center)	4562652	1	2.17
51	1008-1208	right	4585895	1	6.25
51	1008-1208	left	4585896	1	6.25
53-54	1069-1269-69W	right—outer	4627569	1	6.51
53-54	1069-1269-69W	left—outer	4627570	1	6.51
53-54	STA. WAG.	right—outer	4627563	1	6.51
53-54	STA. WAG.	left—outer	4627564	1	6.51
53-54	STA. WAG.	right, inner	4600553	1	2.17
53-54	STA. WAG.	left, inner	4600554	1	2.17

**PANEL, Wheelhouse**

41-48	PASS. (exc. STA. WAG.)	right	4550667	1	8.15
41-48	PASS. (exc. STA. WAG.)	left	4550668	1	8.15
49-50	1008-69-1208-69	right	4559482	1	12.49
49-50	1008-69-1208-69	left	4559483	1	12.49
49-50	2-DR. (exc. SDL.)	right	4559484	1	12.49
49-50	2-DR. (exc. SDL.)	left	4559485	1	12.49
49-52	SDL	right	4562145	1	12.49
49-52	SDL	left	4562146	1	12.49
49-52	STA. WAG.	right	4614718	1	12.49
49-52	STA. WAG.	left	4562339	1	12.49
51-52	2-DR. (exc. SDL.)	right	4614707	1	12.49
51-52	2-DR. (exc. SDL.)	left	4614708	1	12.49
51-52	1008-69-1208-69	right	4614711	1	12.49
51-52	1008-69-1208-69	left	4614712	1	12.49
53-54	1011-1211	right	4636857	1	15.25
53-54	1011-1211	left	4636858	1	15.25
53	1027-1227-27B	right	4598744	1	13.20
53	1027-1227-27B	left	4598745	1	13.20
53-54	1069-1269-69W	right	4636859	1	16.25
53-54	1069-1269-69W	left	4636860	1	16.25
53	CONV.	right	4603564	1	13.20
53-54	CONV.	left	4636864	1	15.25
53	SPT. CPE.	right	4603562	1	13.20
53-54	SPT. CPE.	left	4636862	1	15.25
53	STA. WAG.	right	4600186	1	13.85
53	STA. WAG.	left	4600187	1	13.85
53-54	1062F-1262F	right—cover	4604281	1	8.95
53-54	1062F-1262F	left—cover	4604282	1	8.95
53-54	1062-62D	right—cover	4606004	1	8.95
53-54	1062-62D	left—cover	4606005	1	8.95
53	SDL	right—cover	4598750	1	14.60
53	SDL	left—cover	4598751	1	14.60
54	CONV.	right	4636863	1	15.25
54	SPT. CPE.	right	4636861	1	15.25
54	STA. WAG.	right	4641275	1	15.90
54	STA. WAG.	left	4641276	1	15.90
54	SDL	right	4637329	1	15.75
54	SDL	left	4637330	1	15.75
53-54	CONV.	PLATE, right—rear compt. at wheelhouse	4617986	1	3.75
53-54	CONV.	PLATE, left—rear compt. at wheelhouse	4617987	1	3.75
53-54	SPT. CPE.	PLATE, right—comp. baffle at wheelhouse	4626602	1	2.60
53-54	SPT. CPE.	PLATE, left—comp. baffle at wheelhouse	4626603	1	2.60
49-50	PASS.	DEFLECTOR, right—gravel—behind wheelhouse	4562723	1	.92
51-52	STA. WAG., SDL	DEFLECTOR, left—gravel—behind wheelhouse	4562724	1	.92
49-50	PASS.	DEFLECTOR, right—gravel—behind wheelhouse	4588247	1	.92
51-52	STA. WAG., SDL	DEFLECTOR, left—gravel—behind wheelhouse	4588248	1	.92
51-52	PASS. (exc. STA. WAG., SDL.)	DEFLECTOR, right—gravel—behind wheelhouse	4588248	1	.92
51-52	PASS. (exc. STA. WAG., SDL.)	DEFLECTOR, left—gravel—behind wheelhouse	4588248	1	.92
49	1061	PANEL, right and left outer trim	4568220	2	7.06
49	1061	POST, right—rear quarter corner	4566104	1	47.23
49	1061	POST, left—rear quarter corner	4566105	1	47.23
49-50	PASS. (exc. 1061),	COVER, wheelhouse access hole	4571663	2	1.90
51-52	STA. WAG., SDL	COVER, wheelhouse access hole	4591011	2	1.90
51-52	PASS. (exc. STA. WAG., SDL.)	COVER, right—tail lamp access hole	4568536	1	2.98
49-52	1062	COVER, left—tail lamp access hole	4568537	1	2.98
49-52	1062	COVER, right (tail lamp access hole)	4605850	1	1.42
53-54	STA. WAG.	COVER, left (tail lamp access hole)	4605851	1	1.42
53-54	STA. WAG.	GASKET UNIT, wheelhouse access hole cover	3692242	2	.53
49-52	PASS.				

**PANEL, Outer Extension**

49-52	SDL	right	4584498	1	5.43
49-52	SDL	left	4584499	1	5.43
51-52	1011-69-1211-69	right (at side of trunk opening)	4586857	1	5.98
51-52	1011-69-1211-69	left (at side of trunk opening)	4586858	1	5.98

51-52	FLEETLINE.....	right (at side of trunk opening).....	4586853	1	5.98
51-52	FLEETLINE.....	left (at side of trunk opening).....	4586854	1	5.98
51-52	CPES., CONV., B-A.....	right (at side of trunk opening).....	4586855	1	5.98
51-52	CPES., CONV., B-A.....	left (at side of trunk opening).....	4586856	1	5.98
53-54	1011-69-1211-69-69W.....	right.....	4611976	1	6.15
53-54	1011-69-1211-69-69W.....	left.....	4611977	1	6.15
53-54	CPES., CONV.....	right.....	4611988	1	6.15
53-54	CPES., CONV.....	left.....	4611989	1	6.15
53-54	STA. WAG.....	right.....	4613862	1	2.00
53-54	STA. WAG.....	left.....	4613863	1	2.00
53-54	SDL.....	right.....	4613286	1	5.75
53-54	SDL.....	left.....	4613287	1	5.75

**COVER, Gas Tank Filler Neck**

41-48	PASS. (exc. 1227B-71).....	.....	4115041	1	.77
49-52	STA. WAG., SDL.....	(inside quarter panel).....	4564422	1	2.00
49-52	SDL.....	(inside load compartment).....	4572195	1	.92
50-52	PASS. (exc. STA. WAG., SDL).....	(inside quarter panel) (5½ dia.).....	4587881	1	2.65
53-54	PASS. (exc. STA. WAG., SDL).....	.....	4596397	1	2.07
53-54	STA. WAG.....	.....	4612859	1	2.40
53-54	SDL.....	.....	4599544	1	1.90
53-54	SDL.....	(inside load comp.) (on floor).....	4602972	1	1.03

**PARTS, Gas Tank Filler Neck Compartment**

49-50	PASS. (exc. STA. WAG., SDL).....	DOOR.....	4583008	1	2.25
51-52	PASS. (exc. STA. WAG., SDL).....	DOOR.....	4587976	1	2.25
53-54	PASS. (exc. STA. WAG., SDL).....	DOOR.....	4597951	1	2.25
49	PASS. (exc. STA. WAG., SDL).....	SPRING.....	4561926	1	.15
50-54	PASS. (exc. STA. WAG., SDL).....	SPRING.....	4583003	1	.17
49	PASS. (exc. STA. WAG., SDL).....	BUMPER.....	4569867	2	.08
50-54	PASS. (exc. STA. WAG., SDL).....	BUMPER.....	4581256	2	.07
49-50	PASS. (exc. STA. WAG., SDL).....	POCKET.....	4585293	1	1.95
51-52	PASS. (exc. STA. WAG., SDL).....	POCKET.....	4587827	1	1.95
53-54	PASS. (exc. STA. WAG., SDL).....	POCKET.....	4611997	1	1.95
49	PASS. (exc. STA. WAG., SDL).....	PLATE, pocket adapter.....	4185373*	1	.50
51-52	PASS. (exc. STA. WAG., SDL).....	GUARD UNIT, door (includes 6 guards).....	986552†	A.R.	
53-54	PASS.....	GUARD UNIT, door (includes 6 guards).....	986789	1	9.90

\*NOTE: 4585293 must be used in conjunction with 4185373.

†Closeout price applies. See Dealer P & A Price Schedule.

**12.945 GUTTER, Folding Top Rear Quarter**

50-52	CONV.....	right, upper.....	4579900	1	1.47
50-52	CONV.....	left, upper.....	4579901	1	1.47
50-53	CONV.....	right, lower (plastic).....	4598267	1	1.73
50-53	CONV.....	left, lower (plastic).....	4598268	1	1.73

**12.946 STICK, Trim**

37-53	PASS. (exc. SDL).....	(¾ x ¾ x 46½).....	4599449	A.R.	.12
39-53	PASS.....	(¾ x ¾ x 50½).....	4591077	A.R.	.18

**12.952 BOW, Roof**

41-48	PASS. (exc. 1007-61-67-1271).....	No. 1.....	4114604	1	1.90
41-48	1011-19-69-1211-19.....	No. 2.....	4114605	1	1.90
41-48	CPES.....	No. 2.....	4114829	1	1.90
41-48	SDL.....	No. 2.....	4114185	1	1.90
41-48	1011-1211.....	No. 3.....	4114830	1	1.90
41-48	1019-1219.....	No. 3.....	4114606	1	1.90
41-48	1069.....	No. 3.....	4121549	1	1.90
42-48	1007.....	No. 1.....	4125863	1	1.90
42-48	1007.....	No. 2.....	4125864	1	1.90
46-48	STA. WAG.....	Nos. 2, 3, 4, 5.....	3947262	4	5.15
49-52	1062.....	No. 1.....	4569187	1	6.23
49-52	1062.....	No. 2.....	4569180	1	7.05
49-52	1062.....	Nos. 3, 4.....	4569185	1	6.52
49-52	1062.....	No. 5.....	4569189	1	6.23



49-52	1062	.....
49	1061	.....
49	1061	.....
49	1061	.....
49	1061	.....
49	1061	.....
49	1061	.....
49-52	PASS. (exc. CONV., B-A, STA. WAG., SDL)	.....
49-52	SDL	.....
49-52	SDL	.....
50-52	BEL AIR	.....
50-52	BEL AIR	.....
50-52	BEL AIR	.....
53-54	PASS. (exc. CONV., SPT. CPE, SDL)	.....
53-54	1037D	.....
53-54	1037D	.....
53-54	1037D	.....
53-54	STA. WAG.	.....
53-54	SDL	.....
53-54	SDL	.....
53-54	SDL	.....
53-54	SDL	.....

No. 6	.....	4569188	1	6.23
No. 1	.....	4571586	1	6.52
No. 2	.....	4571587	1	6.90
No. 3	.....	4571588	1	6.23
No. 4	.....	4571589	1	6.23
No. 5	.....	4571590	1	6.23
No. 6	.....	4571591	1	6.23
w/dome lamp support	.....	4583375	1	3.80
No. 1	.....	4571746	1	1.90
No. 2, 3, 4	.....	4567246	1	1.90
No. 1 (chrome) (48 long)	.....	4577681	1	9.23
No. 3 (chrome) (51 3/4 long)	.....	4578018	1	9.23
No. 2 (chrome) (49 long)	.....	4577682	1	9.23
less dome lamp support	.....	4595022	1	1.90
No. 1 (stmpd. 7 on both ends)	.....	4600627	1	9.70
No. 2 (stmpd. 6 on both ends)	.....	4600806	1	9.70
No. 3	.....	4600730	1	9.57
at center pillar	.....	4601568	1	1.90
No. 1 (stmpd. 4 on both ends)	.....	4603371	1	1.90
No. 2 (stmpd. 5 on both ends)	.....	4603374	1	2.00
No. 3 (stmpd. 6 on both ends)	.....	4603375	1	2.00
No. 4 (stmpd. 7 on both ends)	.....	4603376	1	2.00

**12.954 CLIP—THIMBLE, Headlining Wire**



4575931



4077470

37-48	PASS. (exc. CONV., STA. WAG.)	.....	(for use when prong is broken off the roof bow)	.....	4077470	A.R.	.04
49	Ser. 1200 (exc. SDL)	.....	wire to roof rail	.....	4575931	8	.03
49	Ser. 1000 (exc. CONV.)	.....					
50-52	1007-08-11-27-69	.....					
53-54	PASS. (exc. CONV., STA. WAG., SDL)	.....	wire to roof rail	.....	4586144	8	.06
50-52	1207-8-11-27-27B-69	.....					
51-52	1007-8-11-27-69	.....	wire to roof rail	.....	4586145	8	.06
53-54	SDL	.....	wire to roof rail	.....	4597092	2	.03
49-51	PASS. (exc. CONV., 1061)	.....					
52	PASS. (exc. CONV., B-A)	.....					
53-54	PASS. (exc. CONV.)	.....	THIMBLE, wire to roof rail	.....	4575944	8	.06

**12.955 WIRE, Headlining Listing Support**

41-46	1027-1227-27B	.....	No. 1	.....	4161027	1	.48
41-48	1011-19-69-1211-19	.....	No. 1	.....	4161032	1	.48
47-48	CPES	.....	No. 1	.....	4161309	1	.48
42-48	1007	.....	No. 1,	.....			
49-52	FLEETLINE	.....	No. 2	.....	4613724	1	.48
49-52	1011-1211	.....	No. 1	.....	4595154	1	.48
49-52	1062	.....	No. 1	.....	4595149	1	.48
49-52	SDL	.....	No. 1	.....	4613731	1	.48
49-52	1011-69-1211-69	.....	No. 1	.....	4614014	1	.48
49-52	CPES	.....	No. 2	.....	4161033	1	.48
41-48	CPES	.....	No. 2	.....	4161305	1	.48
41-48	1069	.....	No. 2	.....	4161310	1	.48
42-48	1007	.....	No. 2	.....	4613732	1	.48
49-52	1069-1269	.....	No. 2	.....	4596534	1	.48
49-52	1062	.....	No. 2	.....	4595150	1	.48
49-52	SDL	.....	No. 2	.....	4614020	1	.48
49-52	FLEETLINE	.....	No. 2	.....	4614018	1	.48
49-52	CPES	.....	No. 3	.....	4161034	1	.48
41-48	CPES	.....	No. 3	.....	4161306	1	.48
41-48	1069	.....	No. 3	.....	4181311	1	.48
42-48	1007	.....	No. 3	.....	4613733	1	.48
49-52	1069-1269	.....					

49-51	1008-1208	No. 3	4591439	1	.48
49-52	1011-1211	No. 3	4613725	1	.48
49-52	1062	No. 3	4596535	1	.48
49-52	SDL	No. 3	4595151	1	.48
49-52	1007-1207	No. 3	4614021	1	.48
49-52	CPES	No. 3	4614016	1	.48
41-48	1011-19-1211-19	No. 4	4161030	1	.48
41-48	CPES	No. 4	4161035	1	.48
41-48	1069	No. 4	4161307	1	.48
42-48	1007	No. 4	4161312	1	.48
49-52	1069-1269	No. 4	4613734	1	.48
49-51	1008-1208	No. 4	4591440	1	.48
49-52	1011-1211	No. 4	4613726	1	.48
49-52	1007-1207	No. 4	4614022	1	.48
49-52	CPES	No. 4	4614017	1	.48
50-52	BEL AIR	No. 4	4614000	1	.48
41-48	1011-19-1211-19	No. 5	4161031	1	.48
41-48	CPES	No. 5	4161036	1	.48
41-48	1069	No. 5	4161308	1	.48
42-48	1007	No. 5	4161313	1	.48
49-52	1069-1269	No. 5	4613735	1	.48
49-51	1008-1208	No. 5	4591441	1	.48
49-52	1011-1211	No. 5	4613727	1	.48
49-52	1007-1207	No. 5	4614023	1	.48
49-52	CPES	No. 5	4614018	1	.48
50-52	BEL AIR	No. 5	4614001	1	.48
42-48	1007	No. 6	4161314	1	.48
49-52	1069-1269	No. 6	4613736	1	.48
49-51	1008-1208	No. 6	4591442	1	.48
49-52	1011-1211	No. 6	4613728	1	.48
49-52	1007-1207	No. 6	4614024	1	.48
49-52	CPES	No. 6	4614019	1	.48
49-52	1069-1269	No. 7	4613737	1	.48
49-51	1008-1208	No. 7	4591443	1	.48
49-52	1011-1211	No. 7	4613729	1	.48
49-52	1007-1207	No. 7	4614025	1	.48
49-52	1007-1207	No. 8	4614026	1	.48
49-51	1008-1208	No. 8	4588453	1	.48
53-54	PASS. (exc. CONV., SPT. CPE., STA. WAG., SDL)	No. 1	4608642	1	.48
53-54	PASS. (exc. CONV., SPT. CPE., STA. WAG., SDL)	No. 2	4606643	1	.48
53-54	1011-1211	No. 3	4606645	1	.48
53-54	1011-1211	No. 4	4606646	1	.48
53-54	1011-69	No. 6	4606650	1	.48
53-54	1011-69	No. 7	4606652	1	.48
53-54	1069-1269-69W	No. 3	4606644	1	.48
53-54	1069-1269-69W	No. 4	4606647	1	.48
53-54	1011-69-1211-69-69W	No. 5	4606648	1	.48
53-54	1211-69-69W	No. 6	4606649	1	.48
53-54	1211-69-69W	No. 7	4606651	1	.48
53	1027-1227-27B	No. 3	4606690	1	.48
53	1027-1227-27B	No. 4	4606691	1	.48
53	1027-1227-27B	No. 5	4606692	1	.48
53	1027-1227-27B	No. 6	4606693	1	.48
53-54	SPT. CPE	No. 1	4616822	1	.48
53	SPT. CPE	No. 2	4616823	1	.48
53	SPT. CPE	No. 3	4616824	1	.48
53-54	SPT. CPE	No. 4	4616825	1	.48
53-54	SPT. CPE	No. 5	4616826	1	.48
53-54	STA. WAG	No. 1	4616795	1	.48
53-54	STA. WAG	No. 2	4616797	1	.48
53-54	STA. WAG	No. 4	4616800	1	.48
53-54	STA. WAG	No. 5	4616801	1	.48
53-54	STA. WAG	No. 6	4616802	1	.48
53-54	STA. WAG	No. 7	4616803	1	.48
53-54	STA. WAG	No. 8	4616804	1	.48

53-54	SDL.....	No. 1.....	4618910	1	.48
53-54	SDL.....	No. 2.....	4618911	1	.48
53-54	SDL.....	No. 3.....	4618912	1	.48
49-52	PASS. (exc. CONV., B-A).....	SCREW (No. 8-15 x 1/2).....	111633	8	(8.927)

**12.956 RAIL, Side Roof—Outer**

41-48	1011-1211.....	right.....	4115796	1	2.50
41-48	1011-1211.....	left.....	4115797	1	2.50
41-48	1019-1219.....	right.....	4114900	1	1.90
41-48	1019-1219.....	left.....	4114901	1	1.90
41-48	CPES.....	right.....	4115856	1	1.25
41-48	CPES.....	left.....	4115857	1	1.25
42-48	1007.....	right.....	4132370	1	1.25
42-48	1007.....	left.....	4132371	1	1.25
49	1011-1211.....	right.....	4559899	1	8.15
49	1011-1211.....	left.....	4559899	1	8.15
49	1008-1208.....	right.....	4571435	1	8.15
49	1008-1208.....	left.....	4571436	1	8.15
49	1007-1207.....	right.....	4561619	1	8.15
49	1007-1207.....	left.....	4561620	1	8.15
49	1027-1227-27B.....	right.....	4564272	1	5.00
49	1027-1227-27B.....	left.....	4564273	1	5.00
49-52	SDL.....	right, front.....	4581374	1	2.98
49-52	SDL.....	left, front.....	4581375	1	2.98
49-52	SDL.....	right, rear.....	4567106	1	5.15
49-52	SDL.....	left, rear.....	4567107	1	5.15
49-52	1062.....	right, rear.....	4608276	1	5.98
49-52	1062.....	left, rear.....	4608277	1	5.98
49-52	1062.....	right, front.....	4562729	1	2.72
49-52	1062.....	left, front.....	4562730	1	2.72
49	1069-1269.....	right.....	4581992	1	7.65
49	1069-1269.....	left.....	4581993	1	7.65
50-52	BEL AIR.....	right.....	4611077	1	10.30
50-52	BEL AIR.....	left.....	4611078	1	10.30
50-52	CPES.....	right.....	4580876	1	2.17
50-52	CPES.....	left.....	4580877	1	2.17
50-52	1011-1211.....	right.....	4581863	1	6.17
50-52	1011-1211.....	left.....	4581864	1	6.17
50-51	1008-1208.....	right.....	4581868	1	4.88
50-51	1008-1208.....	left.....	4581869	1	4.88
50-52	1069-1269.....	right.....	4581879	1	4.88
50-52	1069-1269.....	left.....	4581880	1	4.88
50-52	1007-1207.....	right.....	4581884	1	6.17
50-52	1007-1207.....	left.....	4581885	1	6.17
53-54	1011-1211.....	right.....	4595660	1	6.17
53-54	1011-1211.....	left.....	4595661	1	6.17
53-54	1069-1269-69W.....	right.....	4633889	1	4.88
53-54	1069-1269-69W.....	left.....	4633890	1	4.88
53-54	1011WA-27.....	right.....	4595664	1	6.00
53-54	1011WA-27.....	left.....	4595665	1	6.00
53-54	1211WB-27-27B.....	right.....	4595735	1	5.98
53-54	1211WB-27-27B.....	left.....	4595736	1	5.98
53-54	SPT. CPE.....	right.....	4599902	1	4.50
53-54	SPT. CPE.....	left.....	4599903	1	4.50
53-54	1062-62D.....	right.....	4602000	1	6.23
53-54	1062-62D.....	left.....	4602001	1	6.23
53-54	1062F-1262F.....	right.....	4602002	1	6.23
53-54	1062F-1262F.....	left.....	4602003	1	6.23
53-54	SDL.....	right, front.....	4601539	1	2.33
53-54	SDL.....	left, front.....	4601540	1	2.33
53-54	SDL.....	right, rear.....	4603120	1	5.15
53-54	SDL.....	left, rear.....	4603121	1	5.15
53-54	SPT. CPE.....	BRACE, right, roof rail to wheelhouse, outer.....	4601056	1	3.20
53-54	SPT. CPE.....	BRACE, left, roof rail to wheelhouse, outer.....	4601057	1	3.20

**12.957 RAIL, Side Roof—Inner**

41-48	1011-1211.....	right.....	4114685	1	.92
41-48	1011-1211.....	left.....	4114686	1	.92

41-48	1019-1219	right	4114898	1	.92
41-48	1019-1219	left	4114899	1	.92
41-48	CPES	right	4117589	1	.92
41-48	CPES	left	4117590	1	.92
42-48	1007	right	4132532	1	.92
42-48	1007	left	4132533	1	.92
50-52	BEL AIR	right	4579944	1	3.47
50-52	BEL AIR	left	4579945	1	3.47
50-52	CPES	right	4580874	1	1.78
50-52	CPES	left	4580875	1	1.78
50-52	1011-1211	right	4586331	1	3.63
50-52	1011-1211	left	4586332	1	3.63
50-52	1069-1269	right	4581895	1	2.98
50-52	1069-1269	left	4581896	1	2.98
50-52	1007-1207	right	4586333	1	3.63
50-52	1007-1207	left	4586334	1	3.63
50-51	1008-1208	right	4581906	1	2.98
50-51	1008-1208	left	4581907	1	2.98
53-54	1011-27-1211-27-27B	right	4594769	1	1.78
53-54	1011-27-1211-27-27B	left	4594770	1	1.78
53-54	1069-1269-69W	right	4627802	1	2.98
53-54	1069-1269-69W	left	4627803	1	2.98
53-54	SPT. CPE	right	4599906	1	2.50
53-54	SPT. CPE	left	4599907	1	2.50
53-54	STA. WAG	right, front	4627793	1	2.98
53-54	STA. WAG	left, front	4627794	1	2.98
53-54	1062-62D	right, rear	4600772	1	2.17
53-54	1062-62D	left, rear	4600773	1	2.17
53-54	1062F-1262F	right, rear	4616249	1	3.63
53-54	1062F-1262F	left, rear	4616250	1	3.63
53-54	SDL	right, front	4601184	1	2.17
53-54	SDL	left, front	4601185	1	2.17
53-54	SDL	rear	4601180	2	.92
53-54	SPT. CPE	BRACE, right—roof rail to wheelhouse	4632958	1	3.35
53-54	SPT. CPE	BRACE, left—roof rail to wheelhouse	4632959	1	3.35
53-54	1062-62D	RETAINER, right—side roof rail trimstick	4617511	1	1.85
53-54	1062-62D	RETAINER, left—side roof rail trimstick	4617512	1	1.85

**12.968 PANEL, Rear Seat Back Compartment Shelf (less trim)**

41-48	1011-19-1211-19		4115987	1	4.07
41-48	1027-27B-1227-27B-27P		4161878	1	3.75
42-48	1007		4161882	1	4.62
49-52	CPES		4564931	1	7.60
49-52	1011-69-1211-69		4565093	1	8.15
49-52	FLEETLINE		4565102	1	8.95
50-52	BEL AIR		4577407	1	7.60
53-54	1011-69		4602210	1	8.15
53-54	1011WA-27-1211WB-27-27B		4596437	1	7.83
53-54	1211-69-69W		4595575	1	8.38
53-54	SPT. CPE		4600717	1	7.60

**12.962 PANEL, Rear Seat Head**

41-48	1019-69		4116313	1	2.82
41-48	1011		4116314	1	2.82
41-48	1027		4116315	1	2.82
42-48	1007		4132397	1	4.40

**12.964 PANEL, Back Window Inner**

41-48	PASS. (exc. 1007-61-67-69-1271)		4115989	1	4.40
42-48	1007		4132411	1	5.32
49-52	1011-69-1211-69	upper	4577755	1	2.98
49-52	1011-69-1211-69	right	4577753	1	1.63
49-52	1011-69-1211-69	left	4577754	1	1.63
49-52	FLEETLINE	upper	4577752	1	2.98
49-52	FLEETLINE	right	4577750	1	1.78
49-52	FLEETLINE	left	4577751	1	1.78
49-52	CPES	upper	4577749	1	2.98



49-52	CPES.	right.	4577747	1	1.63
49-52	CPES.	left.	4577748	1	1.63
50-52	BEL AIR.	upper and sides.	4579624	1	8.15
53-54	1011-69.	upper.	4597054	1	3.85
53-54	1027-1211-27-27B-69.	upper.	4595982	1	1.87
53-54	1011WA-27-1211-27-27B-69-69W.	right-side.	4596434	1	1.63
53-54	1011WA-27-1211-27-27B-69-69W.	left-side.	4596435	1	1.63
53-54	SPT. CPE.	upper.	4632962	1	8.15
50-52	BEL AIR.	REINFORCEMENT, right-to roof.	4580135	1	1.03
50-52	BEL AIR.	REINFORCEMENT, left-to roof.	4580136	1	1.03

### 12.966 PANEL, Body Back Lower

(1941-48 Body Back Lower Panel is part of Rear Compartment End Pan, See Group 12.986)

40	1011-19-1211-19-1511-19.		4103105	1	4.67
49-50	FLEETLINE.		4584482	1	10.11
49-50	1011-69-1211-69.		4584477	1	9.32
49-50	CPES., CONV., B-A.		4584491	1	9.32
49-52	1062.		4584486	1	7.06
49-52	SDL.		4584488	1	4.89
51-52	FLEETLINE.		4588359	1	7.50
51-52	STYLELINE (exc. STA. WAG., SDL.)		4588360	1	8.25
53-54	PASS (exc. STA. WAG., SDL.)		4629827	1	5.90
53-54	STA. WAG.		4602363	1	6.50
53-54	SDL.		4602364	1	5.10

### 12.968 FACING-PANEL, Back Body Opening

49-54	SDL.	(above back door).	4562390	1	2.45
49-52	SDL.	(lock pillar side).	4563257	1	7.87
49-52	SDL.	(hinge pillar side).	4564402	1	7.87
49-52	STA. WAG. (exc. 1061)	right side (w/striker anchor).	4569365	1	7.06
49-53	STA. WAG. (exc. 1061).	left side.	4624841	1	7.06
49-52	1062.	(above upper end gate).	4563882	1	4.07
53-54	STA. WAG.	upper.	4600821	1	6.95
53-54	STA. WAG.	right, side.	4624840	1	7.06
53-54	SDL.	(lock pillar side).	4602453	1	7.87
53-54	SDL.	(hinge pillar side).	4603131	1	8.45
49-52	1062.	PANEL, inner-upper.	4566228	1	4.75
49-52	1062.	PANEL, right-inner side.	4573278	1	2.72
49-52	1062.	PANEL, left-inner side.	4573279	1	2.72
53-54	STA. WAG.	PANEL, upper.	4626449	1	4.75
53-54	STA. WAG.	PANEL, right-inner side.	4624846	1	2.95
53-54	STA. WAG.	PANEL, left-inner side.	4624847	1	2.95

### 12.971 PANEL, Deck Front

49-52	CONV.		4601363	1	5.26
50-52	BEL AIR.		4576533	1	4.62
53-54	1011-69-1211W-11WB-69W.		4591736	1	5.63
53-54	CONV.		4593646	1	5.48
53-54	SPT. CPE.		4595889	1	5.26
53-54	1011-69-1211-69-69W.	REINFORCEMENT, panel.	4605498	1	3.90
53-54	1011WA-27-1211WB-27-27B.	REINFORCEMENT, panel.	4605499	1	3.90
53-54	SPT. CPE.	REINFORCEMENT, panel to gutter.	4604572	1	3.75

### 12.974 PANEL, Deck Rear

39	1017-27-1217.		4091827	1	5.00
40	1017-27-67-1217-1517-27.		4103109	1	5.00

### 12.980 PAN, Floor (less rear compartment floor pan)

41-48	1011-27-1211-27,				
42-48	1019-1219,				
46-48	STA. WAG.		4132415	1	50.29
49-52	SDL.		4594374	1	74.91
49-52	1227-27B.		4593110	1	71.08
49-52	1007-11-27-1207-11.		4593108	1	71.08
49-52	1008-69-1208-69.		4593112	1	71.08

53	1011-27-1211-27-27B		4611626	1	72.75
53	1069-1269		4611628	1	72.75
54	1011-1211		4643429	1	72.75
54	1069-1269W		4643428	1	72.75
54	CONV., SPT. CPE.		4643423	1	72.75
54	STA. WAG.		4643432	1	72.75
54	STA. WAG., SDL	spare tire	4632969	1	24.25
54	SDL		4643433	1	72.75
53-54	1011-27-1211-27-27B-71	EXTENSION, right—front of wheelhouse	4599656	1	1.45
53-54	1011-27-1211-27-27B-71	EXTENSION, left—front of wheelhouse	4599657	1	1.45
53-54	4-DOOR	EXTENSION, right—front of wheelhouse	4594986	1	.53
53-54	4-DOOR	EXTENSION, left—front of wheelhouse	4594987	1	.53

**12.981 PAN, Rear Compartment Floor**

41-48	1027-67-1227				
46-48	STA. WAG.		4114917	1	13.83
41-48	1011-19-69-1211-19		4117486	1	15.74
42-48	1007		4132386	1	18.86
49-52	PASS. (exc. STA. WAG., SDL.)		4589464	1	32.54
49-52	1062		4572793	1	54.14
49-52	SDL		4565650	1	40.18
49-50	PASS. (exc. STA. WAG., SDL.)	right, extension	4575794	1	2.18
49-50	PASS. (exc. STA. WAG., SDL.)	left, extension	4582083	1	3.65
49-52	STA. WAG., SDL	right, extension	4575821	1	6.29
49-52	STA. WAG., SDL	left, extension	4576231	1	6.83
51-52	PASS. (exc. STA. WAG., SDL.)	right, extension	4588929	1	3.66
51-52	PASS. (exc. STA. WAG., SDL.)	left, extension	4588930	1	3.66
53-54	PASS. (exc. STA. WAG., SDL.)		4600012	1	32.54
53-54	STA. WAG.		4627041	1	54.50
53-54	SDL		4627043	1	41.00
53-54	PASS. (exc. STA. WAG., SDL.)	EXTENSION, right—front	4594784	1	1.45
53-54	PASS. (exc. STA. WAG., SDL.)	EXTENSION, left—front	4594785	1	1.45
53-54	PASS. (exc. STA. WAG., SDL.)	EXTENSION, right—rear	4606173	1	3.66
53-54	PASS. (exc. STA. WAG., SDL.)	EXTENSION, left—rear	4606174	1	3.66
53-54	STA. WAG., SDL	EXTENSION, right—front	4626580	1	3.66
53-54	STA. WAG., SDL	EXTENSION, left—front	4626581	1	3.66
53-54	STA. WAG.	EXTENSION, right—rear	4601558	1	.89
53-54	STA. WAG.	EXTENSION, left—rear	4601559	1	.89
53-54	SDL	EXTENSION, right—rear	4628578	1	.89
53-54	SDL	EXTENSION, left—rear	4628579	1	.89
41-54	PASS.	PLUG, rubber (1 $\frac{3}{8}$ )	4124441	A.R.	.12

**12.986 PAN, Rear Compartment End**

40	1011-19-27-67-1211-19-1511-19-27		4103104	1	4.68
41-48	1011-19-27-67-69-1211-19-27,				
46-48	STA. WAG.	(w/cross bar)	4162706	1	7.49
41-48	1027B-1227B-27P	(w/cross bar)	4162707	1	7.49
41-48	SDL	(w/cross bar)	4114538	1	7.49
42-48	1007	(w/cross bar)	4162709	1	8.15
41-48	1011-19-27-67-69-1211-19-27	(less cross bar)	4167848	1	5.98
53-54	PASS. (exc. STA. WAG., SDL.)	BAR, rear cross	4597485	1	6.98
53-54	STA. WAG.	BAR, rear cross	4602431	1	11.95
53-54	SDL	BAR, rear cross	4602405	1	12.50

**12.987 WEATHERSTRIP, Rear Compartment Pan**

49-52	PASS.	17 $\frac{1}{2}$ long	4564228	2	.40
-------	-------	-----------------------	---------	---	-----

**12.989 PANEL—PLATE, Folding Top Compartment**

49-52	CONV.	right, side	4591844	1	8.68
49-52	CONV.	left, side	4591845	1	8.68
49	CONV.	rear	4569776	1	10.48
50-52	CONV.	rear	4598847	1	10.48
53-54	CONV.	rear	4605570	1	10.48
53	1067	right—side trim	4624045	1	8.68
53	1067	left—side trim	4624046	1	8.68
53	1067D	right—side trim	4615989	1	8.68

53	1067D.....	left—side trim.....	4615990	1	9.68
54	CONV.....	right—side trim.....	4634591	1	9.25
54	CONV.....	left—side trim.....	4634592	1	9.25
49-52	CONV.....	PLATE, right cover (arm rest).....	4566795	1	2.00
49-52	CONV.....	PLATE, left cover (arm rest).....	4566796	1	2.00
53-54	CONV.....	PLATE, right—side trim panel cover.....	4601529	1	2.25
53-54	CONV.....	PLATE, left—side trim panel cover.....	4601530	1	2.25

**12.996 GUTTER—BRACE, Rear Compartment Lid**

41-48	1011-19-1211-19.....	upper.....	4115311	1	.92
41-48	1011-19-1211-19.....	right side.....	4115312	1	.65
41-48	1011-19-1211-19.....	left side.....	4115313	1	.65
41-48	CPES., CONV.....	right side.....	4115528	1	.77
41-48	CPES., CONV.....	left side.....	4115529	1	.77
41-48	CPES., CONV.....	upper.....	4115527	1	.92
42-48	1007.....	right side.....	4132358	1	.92
42-48	1007.....	left side.....	4132359	1	.92
49-52	FLEETLINE.....	BRACE, gutter to whlhse., right.....	4564575	1	.48
49-52	FLEETLINE.....	BRACE, gutter to whlhse., left.....	4564576	1	.48
49-50	1011-69-1211-69.....	BRACE, gutter to whlhse., right.....	4564391	1	.43
49-50	1011-69-1211-69.....	BRACE, gutter to whlhse., left.....	4564392	1	.43
49-52	CPES., CONV., B-A.....	BRACE, gutter to whlhse., right.....	4564609	1	.38
49-52	CPES., CONV., B-A.....	BRACE, gutter to whlhse., left.....	4564610	1	.38
51-52	1011-69-1211-69.....	BRACE, gutter to whlhse., right.....	4589666	1	.43
51-52	1011-69-1211-69.....	BRACE, gutter to whlhse., left.....	4589667	1	.43
53-54	PASS. (exc. STA. WAG., SDL.).....	BRACE, right—gutter to whlhse.....	4627218	1	.48
53-54	PASS. (exc. STA. WAG., SDL.).....	BRACE, left—gutter to whlhse.....	4627219	1	.48
49-52	PASS. (exc. STA. WAG.).....	REINFORCEMENT (5/8 x 72 long—universal) ..	4578354	A.R.	.82

# CHEVROLET MASTER PARTS CATALOG

YEAR	MODEL	PART NAME	PART NO.	NO. USED	LIST PRICE
<b>13.090 HARNESS, Body Wiring</b>					
41	1027-1227		5274445	1	3.15
42-47	1011		5275000	1	3.45
48	1011-19-1211-19		5288325	1	4.30
49-50	1007-27-1207-27-27B		4579845	1	4.30
49-50	CONV.		4579842	1	4.75
49-50	1008-11-69-1208-11-69		4579825	1	4.30
49-50	SDL		4579821	1	3.45
50	BEL AIR		4579257	1	7.25
50	STA. WAG.		4579820	1	7.75
51-52	1007-27		4587753	1	5.50
51-52	1008-11-69		4587322	1	5.50
51-52	1207-27-27B		4587793	1	4.95
51-52	1208-11-69		4588045	1	4.95
51-52	CONV.		4588184	1	5.50
51-52	BEL AIR		4588759	1	8.25
51-52	STA. WAG.		4589576	1	7.75
51-52	SDL		4589369	1	3.75
53	1011-69		4605657	1	5.95
53	1211-69		4605621	1	5.45
53	1027		4605658	1	5.95
53	1227-27B		4605936	1	5.45
53	CONV.		4606048	1	7.95
53	SPT. CPE		4606176	1	7.95
53	1062-62F		4606571	1	7.95
53	1262F		4606400	1	7.95
53	SDL		4606322	1	5.45
54	1011-69		4632812	1	5.95
54	1211-69W		4632317	1	5.45
54	CONV.		4632532	1	13.75
54	SPT. CPE		4632809	1	7.95
54	1062D-62F		4633306	1	7.95
54	1262F		4632956	1	7.95
54	SDL		4632953	1	5.45
53-54	CONV.	dome lamp feed and ground (62 O.L.)	4634754	1	1.00
<b>13.337 VALANCE, Top Rear Bow</b>					
41-48	CONV.	tan (comb. 133-4-5-143-4-5-6-7-155)	4165917	1	5.47
48	CONV.	black (comb. 155)	4165918	1	5.47
<b>13.342 CLIP, Top Binding End</b>					
31-54	CONV.		4561686	4	.16
<b>13.346 TOP ASSEMBLY, Folding</b>					
50-52	CONV.	black	4183957	1	289.50
50-52	CONV.	tan	4183956	1	289.50
53	CONV.	tan	4199914	1	289.50
53	CONV.	black	4199915	1	289.50
53	CONV.	blue	4199916	1	289.50
53	CONV.	green	4199917	1	289.50
<b>13.347 TRIM ASSEMBLY, Folding Top Cover</b>					
NOTE: When ordering trim assy. the color of the top or cover assy. must be specified.					
42-47	CONV.	black, w/black binding (less back curtain)	4141436*	1	57.89
42-48	CONV.	tan, w/tan binding (less back curtain)	4165915*	1	57.88
48	CONV.	black, w/black binding (less back curtain)	4165916*	1	57.89
*NOTE: The part numbers indicated with (*) are only serviced as follows: black top with black binding and tan top with tan binding.					
49	CONV.	tan (w/back curtain)	4171156	1	100.11



49	CONV.	black (w/back curtain)	4171157	1	100.11
50	CONV.	tan (w/back curtain)	4174851	1	100.11
50	CONV.	black (w/back curtain)	4174852	1	100.11
51	CONV.	tan (less back curtain and glass)	4183199	1	57.88
51-52	CONV.	black (less back curtain and glass)	4183200	1	57.88
52	CONV.	tan (less back curtain and glass)	4186272	1	57.88
52	CONV.	grey (less back curtain and glass)	4183201	1	57.88
52	CONV.	green (less back curtain and glass)	4189818	1	57.88
52	CONV.	blue (less back curtain and glass)	4189819	1	57.88
53-54	CONV.	tan (less back curtain and glass)	4199921	1	57.88
53-54	CONV.	black (less back curtain and glass)	4199918	1	57.88
53	CONV.	green (less back curtain and glass)	4199919	1	57.88
53	CONV.	blue (less back curtain and glass)	4199920	1	57.88
54	CONV.	green, w/green binding (less back curtain)	4208754	1	57.90
54	CONV.	blue, w/blue binding (less back curtain)	4208755	1	57.90

**13.348 TRIM ASSEMBLY, Folding Top Side Roof Rail Cover Inside**

42-47	CONV.	right, black or tan top (comb. 144, 145, 155)			
48	CONV.	right, tan top (comb. 144, 145, 155)	4165907	1	4.87
42-47	CONV.	left, black or tan top (comb. 144, 145, 155)			
48	CONV.	left, tan top (comb. 144, 145, 155)	4165908	1	4.87
49	CONV.	right, tan	4171128	1	5.32
49	CONV.	left, tan	4171129	1	5.32
49	CONV.	right, black	4171130	1	5.32
49	CONV.	left, black	4171131	1	5.32
50-51	CONV.	right, tan	4174862	1	5.32
50-51	CONV.	left, tan	4174863	1	5.32
50-52	CONV.	right, black	4174864	1	5.32
50-52	CONV.	left, black	4174865	1	5.32
52	CONV.	right, tan	4186269	1	5.32
52	CONV.	left, tan	4186270	1	5.32
52	CONV.	right, grey	4177962	1	5.32
52	CONV.	left, grey	4177963	1	5.32
52	CONV.	right, green	4189820	1	5.32
52	CONV.	left, green	4189821	1	5.32
52	CONV.	right, blue	4189822	1	5.32
52	CONV.	left, blue	4189823	1	5.32
53-54	CONV.	right, tan	4197179	1	5.32
53-54	CONV.	left, tan	4197180	1	5.32
53-54	CONV.	right, black	4197181	1	5.32
53-54	CONV.	left, black	4197182	1	5.32
53	CONV.	right, green	4197185	1	5.32
53	CONV.	left, green	4197186	1	5.32
53	CONV.	right, blue	4197285	1	5.32
53	CONV.	left, blue	4197286	1	5.32
54	CONV.	right, green	4208748	1	5.50
54	CONV.	left, green	4208749	1	5.50
54	CONV.	right, blue	4208750	1	5.50
54	CONV.	left, blue	4208751	1	5.50

**13.352 RETAINER—PLATE—SUPPORT—COVER—DEFLECTOR—SPRING—STRIP—WEATHERSTRIP—BUSHING, Folding Top Cover (on side belt rail)**

42-48	CONV.	right	4134967	1	3.65
42-48	CONV.	left	4134968	1	3.65
49	CONV.	right-rear (13½ long)	4565794	1	4.22
49	CONV.	left-rear (13½ long)	4565795	1	4.22
49	CONV.	right-front	4566884	1	2.82
49	CONV.	left-front	4566885	1	2.82
50-52	CONV.	right (w/flat spring) (17½ O.L.)	4606460	1	2.42
50-52	CONV.	left (w/flat spring) (17½ O.L.)	4606481	1	2.42
53	CONV. (1st type)	right, rr. qtr. trim	4622553	1	2.42
53	CONV. (1st type)	left, rr. qtr. trim	4622554	1	2.42
53-54	CONV. (2nd type)	right, rr. qtr. trim	4634720	1	.50
53-54	CONV. (2nd type)	left, rr. qtr. trim	4634721	1	.50
50-52	CONV.	PLATE, retainer adjustment (2½ x 1½)	4581239	2	.23
50-52	CONV.	SUPPORT, right guide plate	4581237	1	.57

50-52	CONV.	SUPPORT, left guide plate	4581238	1	.57
50-52	CONV.	COVER, right guide plate support	4612687	1	.85
50-52	CONV.	COVER, left guide plate support	4612688	1	.85
49	CONV.	DEFLECTOR, water, right (stmpd. 4567395)	4567395	1	.33
49	CONV.	DEFLECTOR, water, left (stmpd. 4567396)	4567396	1	.33
50-52	CONV.	SPRING, rear qtr. retainer	4150753	2	.17
50-52	CONV.	STRIP, finish—outer panel right (chrome) (5 c'sunk holes 17 O.L.)	4586790	1	2.75
50-52	CONV.	STRIP, finish—outer panel left (chrome) (5 c'sunk holes 17 O.L.)	4586791	1	2.75
53-54	CONV.	WEATHERSTRIP, right—compartment side panel	4602985	1	1.00
53-54	CONV.	WEATHERSTRIP, left—compartment side panel	4602986	1	1.00
53-54	CONV.	BUSHING, rr. qtr. trim retainer	4613556	4	.05

**13.353 NUT—SCREW, Top Cover Retainer**

41-48	CONV.		4116653	10	.02
50-52	CONV.	SCREW, (1/4" x 20 x 3/8 cross recess hd. w/ shoulder)	4579251	2	.06



EYELET  
4081470



STUD  
455448



STUD  
454674  
4113510



FASTENER  
4571165



FASTENER  
4112065

**FOLDING TOP FASTENERS**

**13.384 FASTENER—STUD—EYELET, Folding Top and Dust Boot**

40	CONV.	on side belt rail; 1st type top	4112065	8	.30
40-41	CONV.	on front of side belt rail,			
49	CONV.	on side roof rail	4571165	A.R.	.15
40	CONV.	STUD (on rear of side belt rail; 2nd type top)	4113510	2	.06
49-54	CONV.	STUD, folding top dust boot inner quarter	454674	A.R.	.10
40-41	CONV.				
53-54	CONV.	STUD, folding top dust boot belt moulding	455448	A.R.	.10
40-41	CONV.	EYELET (on top trim and boot at side belt rail; .10 required w/1st type top; 2 required w/2nd type top)	4081470	A.R.	.02

**13.389 CURTAIN, Back (with glass)**

42-47	CONV.	black (comb. 133-4-5-6, 143-4-5-6-7-8)	4148683	1	38.58
42-48	CONV.	tan (comb. 144, 145, 155)	4165913	1	38.58
48	CONV.	black, (comb. 144, 145, 155)	4165914	1	38.58
49-50	CONV.	black	4174857	1	50.32
49-50	CONV.	tan	4174855	1	50.32
51	CONV.	tan	4183196	1	50.32
51-52	CONV.	black	4183197	1	50.32
52	CONV.	tan	4186271	1	50.32
52	CONV.	grey	4183198	1	50.32
52	CONV.	green	4190436	1	50.32

52	CONV.	blue.	4190435	1	50.32
53-54	CONV.	tan.	4198525	1	47.50
53-54	CONV.	black.	4197168	1	47.50
53	CONV.	green.	4197169	1	47.50
53	CONV.	blue.	4197287	1	47.50
54	CONV.	green.	4208752	1	47.50
54	CONV.	blue.	4208753	1	47.50

**13.392 ZIPPER, Back Curtain**

41	CONV.		4117521	1	3.75
48	CONV.	black.	4162925	2	1.12
49-50	CONV.	tan.	4569473	1	10.06
49-50	CONV.	black.	4569474	1	10.06
51	CONV.	tan (upper and sides).	4597400	1	9.50
51-52	CONV.	black (upper and sides).	4597401	1	9.50
52	CONV.	tan (upper and sides).	4609954	1	9.50
52	CONV.	grey (upper and sides).	4597399	1	9.50
52	CONV.	green (upper and sides).	4612982	1	9.50
52	CONV.	blue (upper and sides).	4612983	1	9.50
51	CONV.	tan (lower).	4597403	1	3.27
51-52	CONV.	black (lower).	4597404	1	3.27
52	CONV.	tan (lower).	4609955	1	3.27
52	CONV.	grey (lower).	4597402	1	3.27
52	CONV.	green (lower).	4612986	1	3.27
52	CONV.	blue (lower).	4612987	1	3.27
53-54	CONV.	black.	4623964	1	8.25
53-54	CONV.	tan.	4623966	1	8.25
53-54	CONV.	green.	4623967	1	8.25
53	CONV.	blue.	4623968	1	8.25
54	CONV.	blue.	4642051	1	8.25

**13.393 FRAME, Back Curtain Glass**

41-48	CONV.	outer.	4116372	1	4.22
41-50	CONV.	inner.	4141516	1	2.93
49-50	CONV.	outer.	4567262	1	5.47

**13.395 SCREW, Back Curtain Frame**

40-50	CONV.	No. 6—32x <sup>7</sup> / <sub>16</sub> Lintel Chrome.	4141509	16	.03
-------	-------	---	---------	----	-----

**13.426 STRAP, Top Hold-Down**

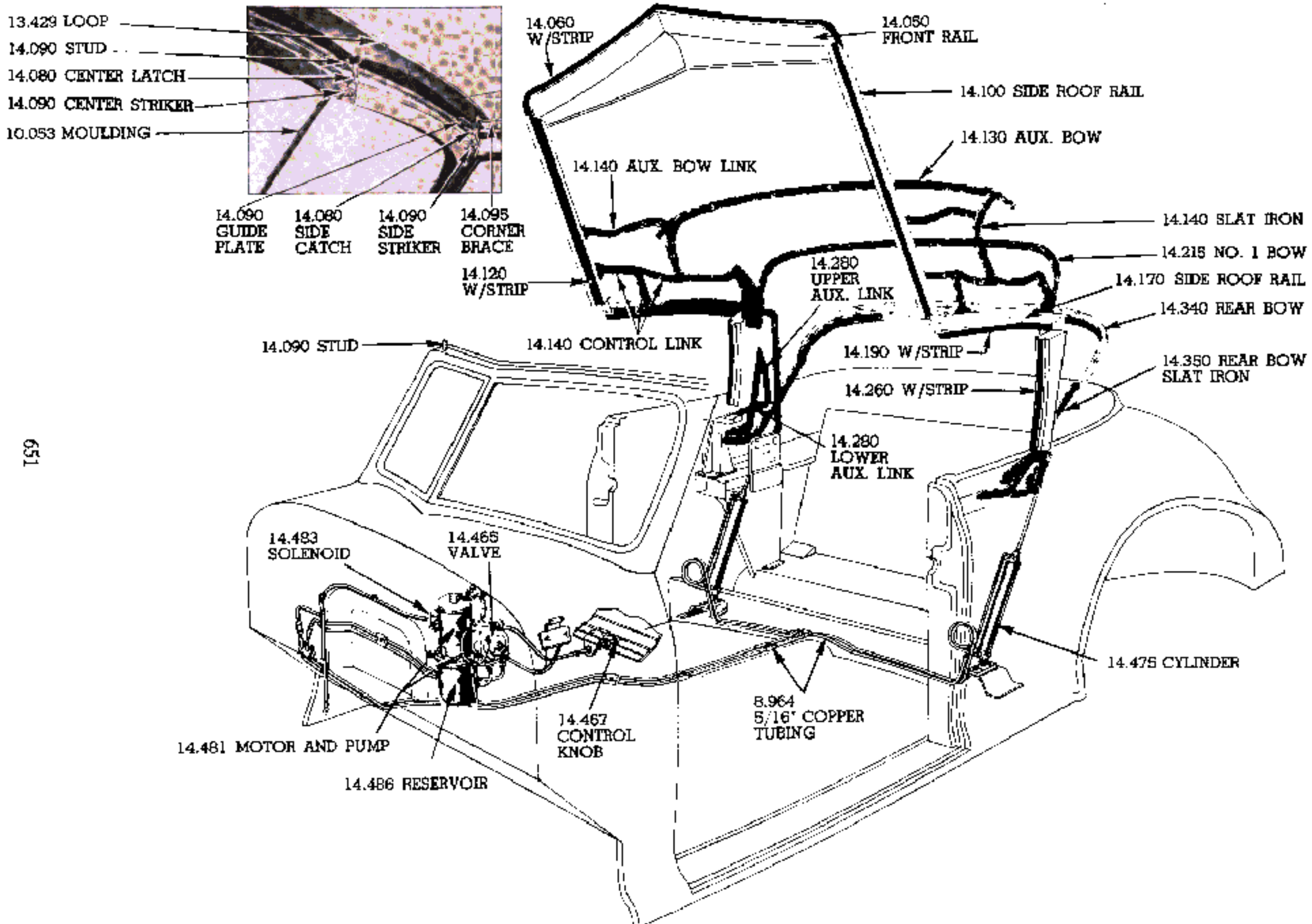
40-52	CONV.	tan leather (24 long).	4046414	2	.95
53-54	CONV.	(29 long).	4615854	1	.77

**13.429 LOOP, Top Hold-Down, Footman**

37-54	CONV.		4605220	2	.85
-------	-------	--	---------	---	-----

**13.450 BOOT, Top Dust**

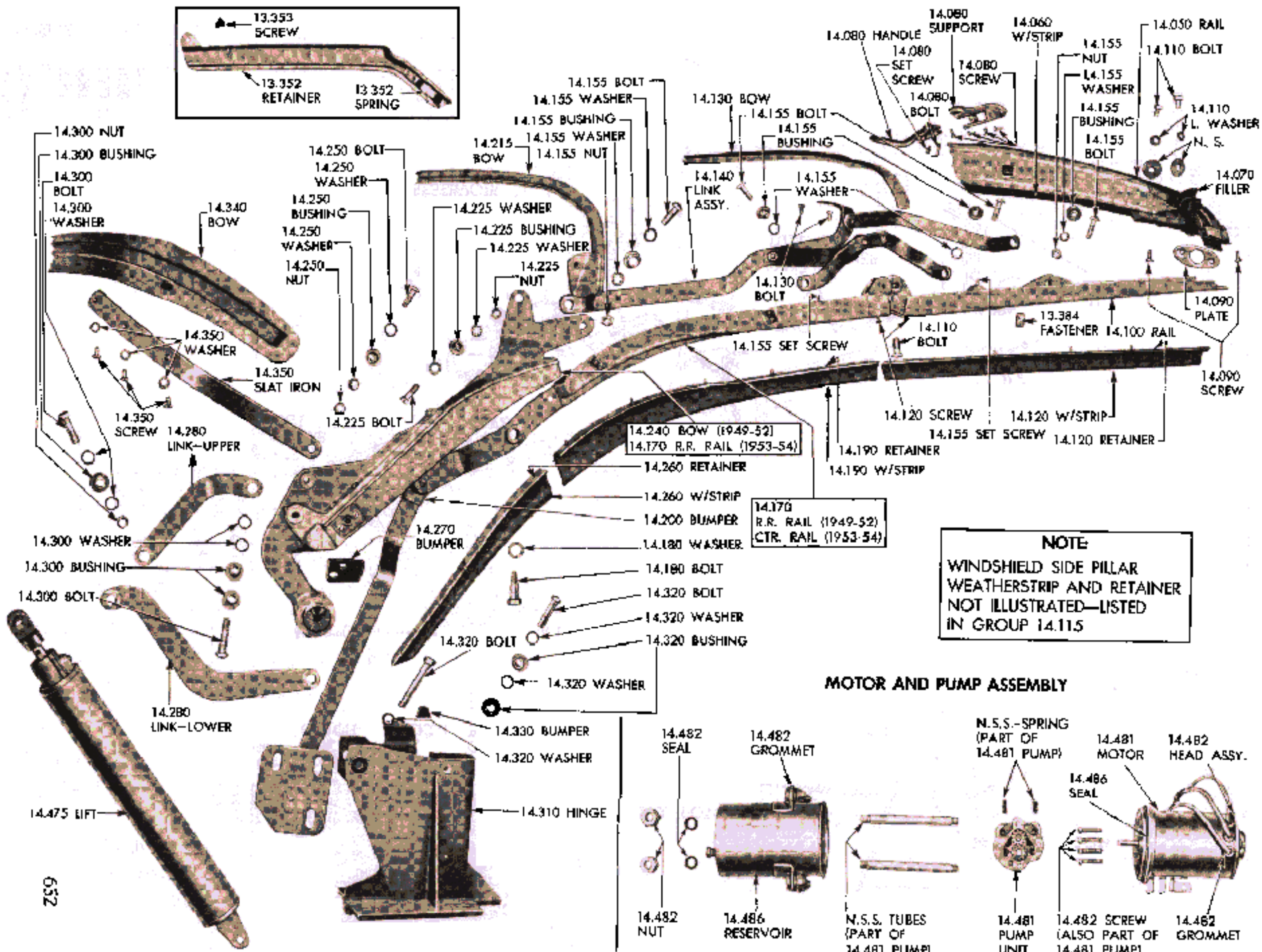
42-48	CONV.	tan, w/tan binding.	4165920	1	30.77
42-48	CONV.	black, w/black binding.	4165921	1	30.77
49	CONV.	tan.	4171158	1	35.51
49	CONV.	black.	4171159	1	35.51
50-52	CONV.	tan.	4186273	1	35.51
50-52	CONV.	black.	4174860	1	35.51
53	CONV.	tan (comb. 264).	4197272	1	34.50
53	CONV.	white (comb. 265, 268, 269).	4197585	1	34.50
53	CONV.	green (comb. 266).	4197586	1	34.50
53	CONV.	blue (comb. 267).	4197587	1	34.50
54	CONV.	white (comb. 325, 329, 337).	4208744	1	34.50
54	CONV.	green (comb. 326).	4208745	1	34.50
54	CONV.	blue (comb. 327).	4208746	1	34.50
54	CONV.	beige (comb. 328).	4208747	1	34.50
42-54	CONV.	BAG, boot retainer.	4174861	1	2.51



651

1946-48 CONVERTIBLE HYDRO-ELECTRIC POWER TOP





**1949-54 CONVERTIBLE POWER TOP FRAME**

# CHEVROLET MASTER PARTS CATALOG

YEAR	MODEL	PART NAME	PART NO.	NO. USED	LIST PRICE
<b>14.050 RAIL, Folding Top Front Roof</b>					
41-48	CONV.		4134944	1	11.57
49-52	CONV.	(w/inner panel and lock)	4590772	1	30.77
53-54	CONV.	(w/inner panel and lock)	4602575	1	30.77
<b>14.060 WEATHERSTRIP—RETAINER, Folding Top Front Roof Rail</b>					
41-48	CONV.	right, with bumper, rubber (2 $\frac{1}{2}$ x 25)	4114981	1	1.53
41-48	CONV.	left, with bumper, rubber (2 $\frac{1}{2}$ x 25)	4114982	1	1.53
41-48	CONV.	on w/shield header (ident. No. H 76264)	4114973	1	1.53
49-52	CONV.	right, with bumper (molded 4563765)	4563765	1	1.53
49-52	CONV.	left, with bumper (molded 4563766)	4563766	1	1.53
49-52	CONV.	on w/shield header (molded 4566232)	4566232	1	2.55
53-54	CONV.	center	4191680	1	1.88
53-54	CONV.	RETAINER, right weatherstrip (17 $\frac{1}{8}$ O.L.)	4615204	1	1.13
53-54	CONV.	RETAINER, left weatherstrip (17 $\frac{1}{8}$ O.L.)	4615205	1	1.13
<b>14.070 FILLER, Folding Top Front Roof Rail</b>					
41-48	CONV.	right, to side roof rail	4115405	1	.27
41-48	CONV.	left, to side roof rail	4115406	1	.27
49-52	CONV.	right, to side roof rail (molded 4564058)	4564058	1	.23
49-52	CONV.	left, to side roof rail (molded 4564059)	4564059	1	.23
49-54	CONV.	tan (55 long)	4595116	1	1.13
49-54	CONV.	black (55 long)	4595112	1	1.13
52	CONV.	grey (55 long)	4602849	1	1.13
52-54	CONV.	green (55 long)	4611768	1	1.13
52-53	CONV.	blue (55 long)	4611769	1	1.13
54	CONV.	blue (55 long)	4642104	1	1.15
<b>14.080 CATCH—HANDLE—SUPPORT—SCREW—BOLT, Folding Top Front Roof Rail</b>					
37-48	CONV.	center	4134975	1	2.88
41-48	CONV.	right	4134973	1	2.88
41-48	CONV.	left	4134974	1	2.88
49-53	CONV.	HANDLE, control lock	4562304	1	3.30
54	CONV.	HANDLE, control lock	4643039	1	3.30
49-54	CONV.	SUPPORT, control lock handle	4563861	1	3.32
49-54	CONV.	SCREW, set—control handle (10—32 thd. $\frac{5}{16}$ long— $\frac{1}{4}$ dia. hd— $\frac{3}{16}$ O.L.)	4133654	1	.27
49-54	CONV.	BOLT, control lock handle ( $\frac{1}{4}$ —20 thd. $\frac{5}{16}$ long—1 $\frac{1}{2}$ O.L.—fill. hd. shoulder)	4561892	1	.53
49-54	CONV.	BOLT, handle support ( $\frac{1}{4}$ —20 x $\frac{3}{8}$ oval cross recess—chrome)	451262	4	.08
<b>14.090 PLATE—STRIKER—STUD—BOLT, Folding Top Guide</b>					
41-48	CONV.	side	4116647	2	1.60
49-52	CONV.	center	4563592	1	.90
49-52	CONV.	side	4563597	2	.90
53-54	CONV.	center (stud guide hole $\frac{13}{16}$ wide)	4602864	1	.90
53-54	CONV.	side (stud guide hole $\frac{13}{16}$ wide)	4602563	2	.90
40-48	CONV.	STRIKER, side	4091475	2	1.83
40-48	CONV.	STUD, center and side ( $\frac{1}{2}$ —20 x 1 $\frac{1}{2}$ cad. plated)	4110682	3	.70
49-52	CONV.	STUD, center ( $\frac{3}{4}$ dia. x 1 $\frac{15}{16}$ )	4578822	1	1.38
49-52	CONV.	STUD, side ( $\frac{3}{4}$ dia. x 1 $\frac{5}{8}$ lg.) (emer. use)	4563697	2	1.10
53-54	CONV.	STUD, center ( $\frac{3}{4}$ dia. x 1 $\frac{19}{16}$ lg.)	4603455	1	1.38
53-54	CONV.	STUD, side	4590979	2	.88
49-54	CONV.	BOLT, plate attaching ( $\frac{1}{4}$ —20 x $\frac{3}{8}$ oval cross recess—chrome) (w/lock washer)	450586	6	.05
49-54	CONV.	BOLT, stud anchor plate ( $\frac{3}{16}$ —20 x $\frac{13}{16}$ O.L.— $\frac{3}{4}$ dia. hd.)	4564260	3	.10

**14.095 BRACE, Folding Top Front Roof Rail—Corner**

41-48	CONV.	right	4148239	1	2.98
41-48	CONV.	left	4148240	1	2.98

**14.100 RAIL, Folding Top Side Roof—Front**

42-48	CONV.	right	4161973	1	8.83
42-48	CONV.	left	4161974	1	8.83
49-52	CONV.	right (with male hinge)	4590756	1	7.95
49-52	CONV.	left (with male hinge)	4590757	1	7.95
53	CONV.	right (with male hinge)	4614966	1	7.95
53	CONV.	left (with male hinge)	4614967	1	7.95
54	CONV.	right (with male hinge)	4644380	1	7.95
54	CONV.	left (with male hinge)	4644381	1	7.95

**14.110 BOLT—WASHER—BUSHING—BUMPER, Folding Top Side Roof Rail—Front**

49-52	CONV.	hinge, front to rear rail ( $\frac{3}{16}$ —24 thd.— $\frac{3}{8}$ body— $1\frac{3}{8}$ O.L. fill. head)	4567413	2	.32
49-52	CONV.	to front roof rail	181591	4	(8.900)
53-54	CONV.	center to rear rail ( $\frac{3}{8}$ —24 x $1\frac{1}{4}$ w/shoulder)	4614582	2	.30
49-52	CONV.	WASHER, lock (use w/181591)	120638	4	(8.931)
53-54	CONV.	BUSHING, front to center rail ( $\frac{1}{2}$ lg. x $1\frac{1}{2}$ O.D.)	4614883	2	.15
53-54	CONV.	BUMPER, front and center ( $1\frac{1}{8}$ x $1\frac{1}{2}$ w/metal insert)	4615046	4	.10

**14.115 WEATHERSTRIP—RETAINER—SCREW, Windshield Side Rail**

40	CONV.	right	4132247	1	(14.190)
40	CONV.	left	4132248	1	(14.190)
41-48	CONV.	right ( $\frac{3}{8}$ x $16\frac{3}{8}$ long)	4115230	1	1.30
41-48	CONV.	left ( $\frac{3}{8}$ x $16\frac{3}{8}$ long)	4115231	1	1.30
49	CONV.	right (molded 4565883)	4565883	1	1.42
49	CONV.	left (molded 4565884)	4565884	1	1.42
50-52	CONV.	right (molded 4589964)	4589964	1	1.42
50-52	CONV.	left (molded 4589965)	4589965	1	1.42
41-48	CONV.	RETAINER, right	4115236	1	1.40
41-48	CONV.	RETAINER, left	4115237	1	1.40
49-50	CONV.	RETAINER, right	4563196	1	1.13
49-50	CONV.	RETAINER, left	4563197	1	1.13
51-52	CONV.	RETAINER, right (on w/s side rail)	4601082	1	1.13
51-52	CONV.	RETAINER, left (on w/s side rail)	4601083	1	1.13
33-47	CONV.	SCREW, upper and rear (No. 8 32 x $\frac{1}{8}$ hind-ing head, self tapping)	179311	A.R.	(8.977)

**14.120 WEATHERSTRIP—RETAINER—STRIP—SCREW, Folding Top Side Roof Rail—Front**

40-41	CONV.	right	4132247	1	(14.190)
40-41	CONV.	left	4132248	1	(14.190)
42-48	CONV.	right	4132248	1	1.30
42-48	CONV.	left	4132246	1	1.30
49-52	CONV.	right ( $\frac{3}{8}$ x $22\frac{1}{8}$ long)	4583685	1	2.43
49-52	CONV.	left ( $\frac{3}{8}$ x $22\frac{1}{8}$ long)	4583686	1	2.43
53-54	CONV.	right	4615003	1	3.50
53-54	CONV.	left	4615004	1	3.50
42-48	CONV.	RETAINER, right	4161967	1	1.63
42-48	CONV.	RETAINER, left	4161968	1	1.63
49-52	CONV.	RETAINER, right	4564657	1	3.15
49-52	CONV.	RETAINER, left	4564658	1	3.15
53-54	CONV.	RETAINER, right	4614992	1	3.15
53-54	CONV.	RETAINER, left	4614993	1	3.15
53-54	CONV.	STRIP, front sealing ( $2\frac{3}{4}$ x $3\frac{1}{4}$ )	4627278	2	.15
49-54	CONV.	SCREW, retainer attaching	131963	2	(8.907)

**14.130 BOW, Folding Top Auxiliary**

42-48	CONV.		4134948	1	5.15
49-52	CONV.		4590736	1	5.15

53-54	CONV.	front.	4596762	1	5.15
33-48	CONV.	SCREW, slot iron to bow ( $\frac{3}{16}$ —24 x $\frac{3}{4}$ rd. hd., with $\frac{3}{8}$ dia. shldr. x $\frac{1}{4}$ long—chrome)	4091509	2	.18
49-54	CONV.	BOLT, slot iron to bow.	134417	6	(8.909)

#### 14.140 LINK ASSEMBLY, Folding Top Side Roof Rail Control

42-48	CONV.	LINK, right control.	4147857	1	10.28
42-48	CONV.	LINK, left control.	4147858	1	10.28
42-48	CONV.	LINK, right front auxiliary.	4147860	1	2.90
42-48	CONV.	LINK, left front auxiliary.	4147861	1	2.90
49	CONV.	LINK, right control.	4567247	1	10.28
49	CONV.	LINK, left control.	4567248	1	10.28
49	CONV.	LINK ASSY., right.	4580753	1	17.89
49	CONV.	LINK ASSY., left.	4580754	1	17.89
50	CONV.	LINK ASSY., right.	4586503	1	10.63
50-52	CONV.	LINK ASSY., left.	4590763	1	11.28
51-52	CONV.	LINK ASSY., right.	4590762	1	11.28
53	CONV.	LINK ASSY., right.	4616459	1	9.75
53-54	CONV.	LINK ASSY., left.	4644379	1	9.75
54	CONV.	LINK ASSY., right.	4644378	1	9.75
42-48	CONV.	SLAT IRON, right auxiliary bow.	4147849	1	3.25
42-48	CONV.	SLAT IRON, left auxiliary bow.	4147850	1	3.25

#### 14.155 SCREW—BOLT—BUSHING—WASHER, Folding Top Side Roof Rail Control Link

41-48	CONV.	aux. bow slot iron to link ( $\frac{5}{16}$ —24 x $1\frac{1}{16}$ oval slotted head).	4116654	4	.03
42-48	CONV.	control link to side roof rail ( $\frac{5}{16}$ —24 x $\frac{3}{4}$ oval slotted head).	4141067	8	.18
49	CONV.	set side roof rail (10-32 x $\frac{3}{8}$ hex. socket cup point).	450500	4	.11
42-52	CONV.	BOLT, link to No. 1 side bow ( $\frac{3}{4}$ —24 x $1\frac{1}{16}$ oval hex. head—chrome).	4133652	2	.18
49-52	CONV.	BOLT, link to side roof rail ( $\frac{5}{16}$ —24 x $2\frac{5}{32}$ oval slotted head chrome).	4577427	8	.18
53-54	CONV.	BOLT, front link, front to center rail ( $\frac{3}{8}$ —24 x $1\frac{1}{16}$ ) (chrome).	4559036	4	.23
53-54	CONV.	BOLT, rear link ( $\frac{3}{8}$ —24 x $1\frac{1}{16}$ ) (chrome).	4614581	4	.22
40-48	CONV.	BUSHING, front link to side roof rail ( $\frac{3}{16}$ I.D. x $\frac{1}{16}$ O.D.— $1\frac{3}{16}$ dia. hd.— $\frac{9}{32}$ long shoulder).	4112677	4	.13
40-54	CONV.	BUSHING, control link and intermediate link ( $\frac{3}{4}$ I.D. x $\frac{1}{2}$ O.D.— $1\frac{3}{16}$ dia. hd.— $1\frac{1}{32}$ long shoulder).	4613553	4	.08
42-48	CONV.	BUSHING, aux. bow link to side roof rail ( $\frac{3}{16}$ I.D. x $\frac{1}{16}$ O.D.— $1\frac{3}{16}$ dia. hd.— $1\frac{1}{4}$ long shoulder).	4141083	4	.13
40-52	CONV.	BUSHING, control link to side roof rail ( $\frac{3}{16}$ I.D. x $\frac{1}{16}$ O.D.— $1\frac{3}{16}$ dia. hd.— $1\frac{1}{32}$ long shoulder).	4613552	2	.08
49-52	CONV.	BUSHING, link to side roof rail ( $\frac{3}{16}$ I.D. x $\frac{1}{8}$ O.D.— $1\frac{3}{16}$ dia. hd.— $1\frac{3}{4}$ long shoulder).	4613550	4	.07
40-47	CONV.	WASHER, link to rail ( $\frac{3}{8}$ I.D. x $\frac{3}{16}$ O.D. wave spring type).	4111310	4	.06
41-48	CONV.	WASHER, link to aux. bow slot iron (cup spring type $2\frac{1}{4}$ I.D. x $1\frac{1}{16}$ O.D.).	4133646	4	.06
49-52	CONV.	WASHER, link, to rail (wave spring type $1\frac{3}{4}$ I.D. x $1\frac{1}{16}$ O.D.).	3696038	4	(16.176)
49-52	CONV.	WASHER, link to rail (internal lock).	138538	6	(8.932)
49-52	CONV.	NUT ( $\frac{3}{16}$ —24).	124920	4	(8.916)

#### 14.170 RAIL, Folding Top Side Roof—Center

53	CONV.	right.	4614974	1	17.50
53	CONV.	left.	4614975	1	17.50
54	CONV.	right, w/link and adj. plate.	4644382	1	17.50
54	CONV.	left, w/link and adj. plate.	4644383	1	17.50



**RAIL, Folding Top Side Roof—Rear**

42-48	CONV.	right	4161971	1	23.82
42-48	CONV.	left	4161972	1	23.82
49	CONV.	right, w/rear control link and plate	4567958	1	17.50
49	CONV.	left, w/rear control link and plate	4567959	1	17.50
50-52	CONV.	right, w/rear control link and plate	4590754	1	13.42
50-52	CONV.	left, w/rear control link and plate	4590755	1	13.42
53	CONV.	right, w/control link support	4614982	1	13.75
53	CONV.	left, w/control link support	4614983	1	13.75
54	CONV.	right, w/control link support	4644391	1	16.60
54	CONV.	left, w/control link support	4644392	1	16.60

**14.180 BOLT—BUSHING—WASHER, Folding Top Side Roof Rail—Rear**

49-52	CONV.	to No. 1 side bow ( $\frac{3}{8}$ —24 x $1\frac{1}{8}$ hex, head w/ $\frac{1}{2}$ dia. shoulder $4\frac{1}{4}$ long)	4565212	2	.43
53-54	CONV.	front to center rail ( $\frac{3}{8}$ —24 x $1\frac{3}{16}$ ) (chrome)	4559036	A.R.	(14.155)
53-54	CONV.	BUSHING, rear rail to hinge	4613555	2	(14.225)
53-54	CONV.	BUSHING, rear bow to rear rail	4613550	2	(14.155)
49-52	CONV.	WASHER, to No. 1 side bow (spring type)	413329	2	(8.928)

**14.190 WEATHERSTRIP—RETAINER, Folding Top Side Roof Rail—Center**

42-48	CONV.	right ( $\frac{1}{8}$ x $22\frac{1}{8}$ long)	4132247	1	1.75
42-48	CONV.	left ( $\frac{1}{8}$ x $22\frac{1}{8}$ long)	4132248	1	1.75
49-52	CONV.	right ( $\frac{1}{8}$ x $18\frac{11}{16}$ long)	4583687	1	3.90
49-52	CONV.	left ( $\frac{1}{8}$ x $18\frac{11}{16}$ long)	4583688	1	3.90
53-54	CONV.	right (molded 4614800)	4614800	1	3.90
53-54	CONV.	left (molded 4614801)	4614801	1	3.90
42-48	CONV.	RETAINER, right	4161969	1	2.08
42-48	CONV.	RETAINER, left	4161970	1	2.08
49-52	CONV.	RETAINER, right	4564598	1	3.35
49-52	CONV.	RETAINER, left	4564599	1	3.35
53-54	CONV.	RETAINER, right	4614994	1	3.35
53-54	CONV.	RETAINER, left	4614995	1	3.35
49-53	CONV.	SCREW, retainer attaching	131963	1	(8.907)

**14.200 BUMPER, Folding Top Roof Rail Auxiliary Link**

49-50	CONV.	(use w/tan top)	4562358	4	.30
49-52	CONV.	(use w/grey or black top)			
51-52	CONV.	(use w/tan, green or blue top)	4604967	4	.30

**14.215 BOW—WASHER, Folding Top No. 1—Center**

42-48	CONV.	with side bows	4139634	1	32.15
49-50	CONV.		4565300	1	7.27
51-52	CONV.		4590751	1	7.27
53-54	CONV.		4614592	1	7.27
53-54	CONV.	WASHER, center bow to rear rail ( $\frac{3}{4}$ O.D.)	4574152	2	.02

**14.225 BOLT—NUT—BUSHING—WASHER, Folding Top No. 1 Bow**

49-52	CONV.	side to ctr. bow and Aux. bow link to center and rear bow to rear rail	4577427	2	(14.155)
49-52	CONV.	NUT, ( $\frac{3}{8}$ —24)	124920	2	(8.916)
41-48	CONV.	BUSHING, bow hinge ( $\frac{3}{8}$ I.D. x $\frac{1}{2}$ O.D.— $1\frac{15}{16}$ dia. hd.— $\frac{1}{4}$ long shoulder)	4129612	4	.10
49-52	CONV.	BUSHING, center to side bow	4613550	2	(14.155)
53-54	CONV.	BUSHING, center bow to rear rail	4613552	2	(14.155)
49-52	CONV.	WASHER, center to side bow (spring type), center bow to rear rail	3696038	2	(16.176)
53	CONV.				
49-52	CONV.	WASHER, center to side bow (internal lock)	138538	2	(8.932)
		Not required in this group—see group 14.320	4613555	2	.08

**14.240 BOW, Folding Top No. 1—Side**

49	CONV.	right, with male hinge	4580696	1	18.45
49	CONV.	left, with male hinge	4580697	1	18.45
50-52	CONV.	right, with male hinge	4590764	1	14.80
50-52	CONV.	left, with male hinge	4590765	1	14.80

NOTE: For 1953-54 Bow, see Group 14.170 Rail, Rear.

**14.250 BOLT—BUSHING—WASHER, Folding Top No. 1 Side Bow**

42-48	CONV.	side bow to side roof rail ( $\frac{3}{8}$ —24 x $1\frac{11}{16}$ )	4550529	2	.35
49-52	CONV.	side bow to rear bow	4577427	2	(14.155)
42-48	CONV.	BUSHING, to upper aux. link	4613557	4	(11.053)
49-52	CONV.	BUSHING, side bow to rear bow	4613550	2	(14.155)
49-52	CONV.	WASHER, side bow to rear bow (spring type)	3696038	2	(16.176)
49-52	CONV.	WASHER, side bow to rear bow (internal lock)	138538	2	(8.932)
49-52	CONV.	NUT ( $\frac{3}{8}$ —24)	124920	2	(8.916)

**14.260 WEATHERSTRIP—RETAINER, Folding Top Side Roof Rail—Rear**

40-41	CONV.	right	4132247	1	(14.190)
40-41	CONV.	left	4132248	1	(14.190)
42-48	CONV.	right	4162301	1	1.42
42-48	CONV.	left	4162302	1	1.42
49-52	CONV.	right ( $\frac{7}{8}$ x $13\frac{3}{4}$ long)	4583691	1	2.83
49-52	CONV.	left ( $\frac{7}{8}$ x $13\frac{3}{4}$ long)	4583692	1	2.83
53-54	CONV.	right	4614905	1	2.00
53-54	CONV.	left	4614906	1	2.00
41	CONV.	RETAINER, right	4115240	1	1.30
41	CONV.	RETAINER, left	4115241	1	1.30
42-48	CONV.	RETAINER, right	4162299	1	1.30
42-48	CONV.	RETAINER, left	4162300	1	1.30
49-52	CONV.	RETAINER, right	4579366	1	2.70
49-52	CONV.	RETAINER, left	4579367	1	2.70
53-54	CONV.	RETAINER, right	4614802	1	1.48
53-54	CONV.	RETAINER, left	4614803	1	1.48

**14.270 BUMPER, Folding Top Bow**

49	CONV.	right	4565959	1	.37
49	CONV.	left	4565960	1	.37
50-52	CONV.	right	4579174	1	.23
50-52	CONV.	left	4579175	1	.23

**14.280 LINK, Folding Top No. 1 Bow**

42-48	CONV.	right, lower	4147846	1	3.25
42-48	CONV.	left, lower	4147847	1	3.25
42-48	CONV.	right and left, upper	4147848	2	3.25
49-50	CONV.	right, upper	4567171	1	1.85
49-50	CONV.	left, upper	4567172	1	1.85
49-50	CONV.	right and left, lower	4567210	2	2.52
51-52	CONV.	right, upper	4590744	1	1.85
51-52	CONV.	left, upper	4590745	1	1.85
51-52	CONV.	right and left, lower	4590743	2	2.52

**14.300 BOLT—BUSHING—WASHER—SPACER—NUT, No. 1 Bow Link**

49-52	CONV.	link to lift ( $\frac{3}{8}$ —24 x $1\frac{1}{2}$ oval hex hd. chrome)	4577432	2	.11
49-52	CONV.	link to No. 1 bow ( $\frac{3}{8}$ —24 x $1\frac{11}{16}$ oval hex. head—chrome)	4577435	2	.21
49-54	CONV.	BUSHING, link to No. 1 bow ( $\frac{3}{8}$ I.D. x $\frac{1}{2}$ O.D. — $\frac{13}{16}$ dia. hd.— $\frac{3}{4}$ long shoulder)	4613551	4	.07
42-49	CONV.	WASHER, link to lift spacer, hinge to No. 1 bow ( $\frac{1}{2}$ I.D. x $\frac{1}{4}$ O.D.)	4574151	2	.02
50-54	CONV.	WASHER, link to No. 1 bow (spring type)	413329	2	(8.928)
49-52	CONV.	WASHER, link to No. 1 bow (internal lock)	138542	2	(8.932)
49-52	CONV.	SPACER, link to lift ( $\frac{3}{8}$ I.D. x $\frac{1}{2}$ O.D. x $2\frac{11}{16}$ long)	4567164	2	.13
49-52	CONV.	NUT ( $\frac{3}{8}$ —24 self locking—chrome) (use with 4577432—bolt)	4575049	2	.17

**14.310 HINGE—SUPPORT, Folding Top—Female**

49	CONV.	right	4574173	1	13.28
49	CONV.	left	4574174	1	13.28
50-52	CONV.	right	4579414	1	13.28
50-52	CONV.	left	4579415	1	13.28
53-54	CONV.	right	4597152	1	3.90
53-54	CONV.	left	4597153	1	3.90
53-54	CONV.	SUPPORT, right	4598471	1	3.75
53-54	CONV.	SUPPORT, left	4598472	1	3.75

**14.320 BOLT—BUSHING—WASHER, Folding Top Hinge**

42-52	CONV.	hinge to lower link ( $\frac{3}{8}$ —24 x $1\frac{1}{2}$ oval hex. head)	4574154	2	.13
49	CONV.	hinge to No. 1 bow ( $\frac{3}{8}$ —24 x $2\frac{1}{2}$ )	181650	2	(8.900)
50-52	CONV.	hinge to No. 1 bow ( $\frac{3}{8}$ —24 x $1\frac{3}{8}$ oval hex. hd. chrome)	4577435	2	(14.300)
49-52	CONV.	hinge to bow ( $\frac{3}{8}$ —24 x $1\frac{1}{2}$ oval hex hd. chrome)	4577432	2	(14.300)
53-54	CONV.	rear rail to hinge ( $\frac{3}{8}$ —24 x $1\frac{1}{8}$ oval hex hd. chrome)	4598804	2	.20
53-54	CONV.	rear rail to lift ( $\frac{3}{8}$ —24 x $1\frac{3}{8}$ oval hex hd. chrome)	4577433	2	.99
42-48	CONV.	BUSHING, hinge to Aux. bushing	4613557	2	(11.053)
49-52	CONV.	BUSHING, hinge to link	4613551	2	(14.300)
53-54	CONV.	BUSHING, rear rail to hinge ( $\frac{1}{2}$ x $\frac{3}{4}$ O.L. w/ $\frac{1}{8}$ dia. hd.)	4613555	2	(14.225)
41-48	CONV.	WASHER, hinge to slot iron (cup spring type)	4133646	2	(14.155)
49-52	CONV.	WASHER, hinge to link (wave spring type)	413329	2	(8.928)
49-52	CONV.	WASHER, hinge to link (internal lock)	138542	2	(8.932)

**14.330 BUMPER, Folding Top—On Female Hinge**

41-52	CONV.		4116637	2	.60
-------	-------	--	---------	---	-----

**14.340 BOW, Folding Top—Rear**

42-48	CONV.		4134953	1	9.00
49-52	CONV.		4601337	1	7.77
53-54	CONV.		4630378	1	11.45

**14.350 IRON—BOLT—WASHER, Folding Top Rear Bow Slat**

42-48	CONV.	right	4147863	1	5.82
42-48	CONV.	left	4147864	1	5.82
49	CONV.	right and left	4565305	2	3.08
50-52	CONV.	right and left	4590746	2	2.07
53-54	CONV.	right and left	4630377	2	2.07
49-52	CONV.	BOLT, slot iron to bow ( $\frac{1}{4}$ —20 x $\frac{3}{8}$ pan cross recess—chrome)	160506	6	.05
49-52	CONV.	WASHER, slot iron to bow (internal lock)	120423	6	(8.932)

**14.360 BUMPER, Folding Top Rear Bow**

49-52	CONV.	(in top compartment)	4565772	2	.23
53-54	CONV.	rear bow slat iron	3681070	2	(10.587)

**14.445 VALVE—TEE ASSEMBLY, Folding Top Control**

40-41	CONV.	less knob	4111328	1	7.60
46-50	CONV.	operating	4149731	1	7.60
40	CONV.	TEE, ball sleeve, special (4-way fitting)	3656186	A.R.	(10.154)

**14.467 KNOB—BUSHING ASSY., Folding Top Control Valve**

41	CONV.		4116581	1	.83
46-50	CONV.		4582147	1	1.63
46-50	CONV.	BUSHING	4149755	1	1.57

**14.471 ROD, Folding Top Control**

46-48	CONV.	( $\frac{13}{16}$ O.D. x $17\frac{1}{2}$ overall)	4149743	1	.83
49-50	CONV.	( $\frac{1}{4}$ O.D. x $14\frac{3}{8}$ dev. length)	4563130	1	.72

**14.472 NOSE—Folding Top Motor to Operating Valve**

46-48	CONV.	( $\frac{1}{2}$ O.D. x 8 long, w/90° fittings)	4162333	2	1.98
49-50	CONV.	pressure (8 $\frac{1}{4}$ long)	4565379	1	1.58
49-50	CONV.	return (8 $\frac{3}{4}$ long)	4558822	1	1.87
51-52	CONV.	pump to cyl. (w/tee) (148 long)	4596798	2	7.45
53-54	CONV.	(w/tee)	4626469	2	7.95

**14.473 ELBOW—CONNECTOR, Folding Top**

46-50	CONV.	(90°— $\frac{1}{2}$ —20 internal thd. 1 end, $\frac{1}{8}$ pipe			
53-54	CONV.	thd.—1 end)	4550703	2	.25
49-50	CONV.	(90°— $\frac{1}{2}$ —20 internal thd. both ends)	4551055	2	.53
47-48	CONV.	CONNECTOR ( $\frac{3}{8} \times \frac{1}{2}$ —20 $\times$ $\frac{1}{8}$ )	137406	A.R.	(8.963)

**14.474 CLIP, Folding Top Vacuum Line Tube**

46-50	CONV.		4149724	6	.06
-------	-------	--	---------	---	-----

**14.475 LIFT ASSY., Folding Top**

NOTE: Use Delco No. 11 Brake Fluid for Hydraulics Lift. See Group 4.583.

46-48	CONV.	hydraulic cylinder	4149728	2	11.46
49-50	CONV.	hydraulic cylinder	4567324	2	12.68
51-52	CONV.	hydraulic cylinder	4600036	2	12.68
53-54	CONV.	hydraulic cylinder (2 $\frac{1}{8}$ O.L. fully compressed)	4615148	1	12.75

**14.476 YOKE, Folding Top Vacuum Cylinder Shaft**

49-52	CONV.		4567174	2	1.17
-------	-------	--	---------	---	------

**14.481 MOTOR—PLATE—PUMP, Folding Top**

NOTE: See service Breakdown Chart in Supplementary Data Section for component parts of Hydraulic Motor and Pump Assemblies.

46-49	CONV.	MOTOR (stamped 4564581)	4170976	1	29.34
49-50	CONV.	MOTOR (stamped 4564583 or 4564932)	1108572	1	33.38
51-52	CONV.	MOTOR, w/pump	4594191	1	38.75
51-54	CONV.	MOTOR, w/end plate	4632640	1	29.75
53-54	CONV.	MOTOR, w/pump	4603742	1	38.75
51-54	CONV.	PLATE, hydraulic motor end	3702970	1	2.50
46-49	CONV.	PUMP (use w/motor 4165785 or 4170976)	4162272	1	21.58
49-50	CONV.	PUMP (use w/motor 1108572)	5453599	1	23.82
51-52	CONV.	PUMP UNIT, hydraulic	3701147*	1	10.50
53-54	CONV.	PUMP UNIT, hydraulic	4632631*	1	10.50

\*NOTE: Pump Unit consists of all necessary parts to assemble a complete Pump Assy., with the exception of the Reservoir.

CAUTION: Remove fibre protector plate before assembling to motor. Care must be taken to prevent loss or damage to springs and gears.

**14.482 PARTS, Folding Top Motor and Pump**

NOTE: See service Breakdown Chart in Supplementary Data Section for component parts of Hydraulic Motor and Pump Assemblies.

46-54	CONV.	PIN, lift support clevis	4550594	1	.08
51-54	CONV.	PIN, drive gear ( $\frac{3}{32} \times 1\frac{3}{16}$ long)	3698097	1	.05
46-54	CONV.	SPACER, rubber ( $\frac{3}{8}$ I.D. $\times$ $1\frac{3}{16}$ )	4149726	4	.06
46-49	CONV.	BRUSH, hydraulic motor (at field)	4162238	1	1.35
49-50	CONV.	BRUSH, hydraulic motor (at field)	1906918	1	.26
46-49	CONV.	HEAD ASSY., brush holder (w/brush)	4162232	1	5.25
51-54	CONV.	HEAD ASSY., hydraulic motor (commutator end)	3698768	1	5.18
46-49	CONV.	PLUG, high pressure valve	4162286	1	1.08
49-50	CONV.	GASKET, pump valve (use w/5453540 pump)	043234	1	(4.651)
46-49	CONV.	SEAL, pump bottom	4162280	1	.22
51-54	CONV.	SEAL, motor shaft "O" ring (rubber) ( $\frac{3}{8}$ I.D.)	3698098	1	.32
51-52	CONV.	SEAL, reservoir pipe "O" ring (rubber) ( $\frac{3}{8}$ I.D.)	3698110	2	.25
53-54	CONV.	SEAL, reservoir pipe	4632635	2	.35
46-49	CONV.	VALVE, hydraulic pump	4162275	1	1.38
49-50	CONV.	VALVE, hydraulic pump	5453525	1	.35
46-49	CONV.	WASHER, motor bottom thrust (fibre)	4162252	2	.03
46-49	CONV.	WASHER, motor top thrust (felt)	4162253	1	.05
46-49	CONV.	WASHER, hydraulic pump valve	4162276	1	.03
49-50	CONV.	WASHER, hydraulic pump valve	5453525	1	.20



49-52	CONV.	WASHER, cylinder seal (steel)	4168841	4	.06
46-48	CONV.	SPRING, low pressure valve (use w/low press. pump, ident. by plain valve plug on pump)	4162287	1	.67
46-49	CONV.	SPRING, high pressure valve (use w/high press. pump, ident. by copper plated valve plug on pump)	4162285	1	.67
49-50	CONV.	SPRING, hydraulic pump valve	5453524	1	.25
46-49	CONV.	SPRING and PLATE UNIT, consists of plate, rotor plate, rotor plate spring	4162295	1	.45
49-50	CONV.	ROTOR ASSY., inner and outer	5453544	1	3.00
51-52	CONV.	NUT, retaining (attaches to tubes)	3698101	2	.17
53-54	CONV.	NUT, retaining (attaches to tubes)	4632639	2	.30
51-54	CONV.	GROMMET, mounting bracket	3698109	4	.17
51-54	CONV.	GROMMET, motor wires through housing (1 $\frac{1}{2}$ )	3698771	3	.22
51-54	CONV.	SCREW, pump housing to end plate (No. 12—24 x 1 $\frac{1}{8}$ )	3698108	4	.05

**14.483 SWITCH ASSEMBLY—SUPPORT, Folding Top**

42	CONV.		4132286	1	3.48
46-50	CONV.	(solenoid type)	001463	1	3.83
51-52	CONV.	(solenoid type w/knob)	4594599	1	3.32
53-54	CONV.		4619381	1	3.32
53-54	CONV.	SUPPORT, control switch	4594254	1	.38

**14.484 SUPPORT, Folding Top Operating Hydraulic Lift**

49-52	CONV.	right	4565488	1	1.22
49-52	CONV.	left	4565490	1	1.22
53-54	CONV.	right	4602373	1	1.30
53-54	CONV.	left	4602374	1	1.30

**14.485 STRAP, Folding Top Hydraulic Power Unit-Bonding**

46-48	CONV.	( $\frac{5}{8}$ x 7 $\frac{3}{8}$ )	8286081	1	.38
-------	-------	-------------------------------------	---------	---	-----

**14.486 RESERVOIR—MOUNTING—WIRE BAIL—GASKET—SEAL, Folding Top Hydraulic Motor and Pump**

NOTE: Use Delco No. 11 Brake Fluid for Hydraulic Lift. See Group 4.683.

46-50	CONV.		5453509	1	2.73
51-52	CONV.	w/mounting bracket	3698104	1	2.95
53-54	CONV.	w/mounting bracket	4632636	1	2.95
46-50	CONV.	MOUNTING	4149788	3	.60
46-50	CONV.	WIRE BAIL	4161897	2	.60
46-50	CONV.	GASKET	4161896	1	.30
51-54	CONV.	SEAL, motor endplate to reservoir "O" ring (rubber) (3 $\frac{1}{8}$ I.D.)	3698089	1	.38

**14.488 BREAKER ASSEMBLY, Folding Top Circuit**

46-49	CONV.		4149734	1	1.93
-------	-------	--	---------	---	------

**14.484 HARNESS, Folding Top Hydraulic Control-Wiring**

49-50	CONV.		4561990	1	1.60
-------	-------	--	---------	---	------

**14.630 PAD, Cowl Trim (Universal)**

29-48	PASS.	right and left (tan)	609526*	1	1.25
39-48	PASS.	right and left (reddish brown)	609637*	1	1.25

\*Price per set.

**PAD, Cowl Trim**

49	PASS. (exc. CONV., STA. WAG.),				
50-51	SDL	right (comb. 156, 157, 158)	4569878	1	.55
49	PASS. (exc. CONV., STA. WAG.),				
50-51	SDL	left (comb. 156, 157, 158)	4569879	1	.55
49-52	CONV., BEL AIR	right (comb. 160, 175, 185, 195, 205, 225, 235)	4582546	1	.67
49-52	CONV., BEL AIR	left (comb. 160, 175, 185, 195, 205, 225, 235)	4582547	1	.67

49-52	CONV., BEL AIR.....	right (comb. 162, 176, 186, 196, 206, 226, 236).....	4582552	1	.67
49-52	CONV., BEL AIR.....	left (comb. 162, 176, 186, 196, 206, 226, 236).....	4582553	1	.67
49-52	CONV., BEL AIR.....	right (comb. 161, 177, 187, 197, 207, 212, 227, 237).....	4582548	1	.67
52	1007-11-27-69.....				
49-52	CONV., BEL AIR.....	left (comb. 161, 177, 187, 197, 207, 212, 227, 237).....	4582549	1	.67
52	1007-11-27-69.....				
49-52	CONV., BEL AIR.....	right (comb. 167, 179, 189, 199, 209, 229, 239).....	4582554	1	.67
49-52	CONV., BEL AIR.....	left (comb. 167, 179, 189, 199, 209, 229, 239).....	4582555	1	.67
50-52	PASS. (exc. CONV., B-A, STA. WAG., SDL).....	right (comb. 170, 171, 200, 201, 210, 211, 216).....	4582584	1	.55
52	SDL.....				
50-52	PASS. (exc. CONV., B-A, STA. WAG., SDL).....	left (comb. 170, 171, 200, 201, 210, 211, 216).....	4582585	1	.55
52	SDL.....				
52	1007-11-27-69.....	right (comb. 213).....	4610468	1	.55
52	1007-11-27-69.....	left (comb. 213).....	4610469	1	.55
52	CONV., BEL AIR.....	right (comb. 224, 234).....	4612626	1	.67
52	CONV., BEL AIR.....	left (comb. 224, 234).....	4612627	1	.67
52	BEL AIR.....	right (comb. 240).....	4612628	1	.67
52	BEL AIR.....	left (comb. 240).....	4612629	1	.67
53	1011W-27-69W.....	right (comb. 241).....	4618387	1	.67
53	1011W-27-69W.....	left (comb. 241).....	4618388	1	.67
53	1011W-27-69W.....	right (comb. 242).....	4619782	1	.67
53	1011W-27-69W.....	left (comb. 242).....	4619783	1	.67
53	1011W-27-69W.....	right (comb. 243).....	4619784	1	.67
53	1011W-27-69W.....	left (comb. 243).....	4619785	1	.67
53	1011W-27-69W.....	right (comb. 244).....	4619786	1	.67
53	1011W-27-69W.....	left (comb. 244).....	4619787	1	.67
53	1011WD-69WD-1211-27-27B-69.....	right (comb. 245, 249, 291).....	4625363	1	.67
53	1011WD-69WD-1211-27-27B-69.....	left (comb. 245, 249, 291).....	4625364	1	.67
53	1011WD-69WD.....	right and left, universal type (comb. 246, 247, 248, 292).....	3709796	1	1.25
53	1011WD-69WD.....	left (comb. 246).....	4619791	1	.67
53	1037D-67D.....	right (comb. 254, 264).....	4621196	1	.67
53	1037D-67D.....	left (comb. 254, 264).....	4621197	1	.67
53	1067D.....	right (comb. 255).....	4621190	1	.67
53	1067D.....	left (comb. 255).....	4621191	1	.67
53	1037D-67D.....	right (comb. 256, 266).....	4621194	1	.67
53	1037D-67D.....	left (comb. 256, 266).....	4621195	1	.67
53	1037D-67D.....	right (comb. 257, 267).....	4621192	1	.67
53	1037D-67D.....	left (comb. 257, 267).....	4621193	1	.67
53	1037D-67D.....	right (comb. 258, 268).....	4621198	1	.67
53	1037D-67D.....	left (comb. 258, 268).....	4621199	1	.67
53	1037D-67D.....	right (comb. 259, 269).....	4618389	1	.67
53	1037D-67D.....	left (comb. 259, 269).....	4618390	1	.67
53	1037.....	right (comb. 241).....	4626250	1	.67
53	1037.....	left (comb. 241).....	4626251	1	.67
53	1037.....	right (comb. 242).....	4626252	1	.67
53	1037.....	left (comb. 242).....	4626253	1	.67
53	1037.....	right (comb. 243).....	4626254	1	.67
53	1037.....	left (comb. 243).....	4626255	1	.67
53	1037.....	right (comb. 244).....	4626256	1	.67
53	1037.....	left (comb. 244).....	4626257	1	.67
53	1062-62F.....	right (comb. 278).....	4625370	1	.67
53	1062-62F.....	left (comb. 278).....	4625371	1	.67
53	SDL.....	right (comb. 276).....	4620700	1	.67
53	SDL.....	left (comb. 276).....	4620701	1	.67
54	1011W-11WA-69W.....	right (comb. 304).....	4635474	1	.75
54	1011W-11WA-69W.....	left (comb. 304).....	4635475	1	.75
54	1011W-11WA-69W.....	right (comb. 305).....	4635476	1	.75
54	1011W-11WA-69W.....	left (comb. 305).....	4635477	1	.75
54	1011W-11WA-69W.....	right (comb. 306).....	4635478	1	.75
54	1011W-11WA-69W.....	left (comb. 306).....	4635479	1	.75
54	1011W-11WA-69W.....	right (comb. 307).....	4635480	1	.75

54	1011W-11WA-69W	left (comb. 307)	4635481	1	.75
54	1011WD-69WD	right (comb. 309)	4635482	1	.75
54	1011WD-69WD	left (comb. 309)	4635483	1	.75
54	1011WA-11WD-69WD	right (comb. 310, 332)	4635484	1	.75
54	1011WA-11WD-69WD	left (comb. 310, 332)	4635485	1	.75
54	1011WA-11WD-69WD	right (comb. 311, 333)	4635486	1	.75
54	1011WA-11WD-69WD	left (comb. 311, 333)	4635487	1	.75
54	1011WD-69WD	right (comb. 330)	4640364	1	.75
54	1011WD-69WD	left (comb. 330)	4640365	1	.75
54	1011WD-69WD	right (comb. 331)	4640366	1	.75
54	1011WD-69WD	left (comb. 331)	4640367	1	.75
54	1011WA-1211-69W	right (comb. 300, 334)	4635492	1	.75
54	1011WA-1211-69W	left (comb. 300, 334)	4635493	1	.75
54	CONV., SPT. CPE	right (comb. 314, 327)	4638332	1	.75
54	CONV., SPT. CPE	left (comb. 314, 327)	4638333	1	.75
54	CONV., SPT. CPE	right (comb. 315, 326)	4638334	1	.75
54	CONV., SPT. CPE	left (comb. 315, 326)	4638335	1	.75
54	CONV., SPT. CPE	right (comb. 316, 328)	4638336	1	.75
54	CONV., SPT. CPE	left (comb. 316, 328)	4638337	1	.75
54	CONV., SPT. CPE	right (comb. 317, 337)	4640372	1	.75
54	CONV., SPT. CPE	left (comb. 317, 337)	4640373	1	.75
54	CONV., SPT. CPE	right (comb. 318, 328)	4640370	1	.75
54	CONV., SPT. CPE	left (comb. 318, 328)	4640371	1	.75
54	CONV., SPT. CPE	right (comb. 319, 329)	4640368	1	.75
54	CONV., SPT. CPE	left (comb. 319, 329)	4640369	1	.75
54	1062D-62F	right (comb. 323, 324)	4635490	1	.75
54	1062D-62F	left (comb. 323, 324)	4635491	1	.75
54	1262F	right (comb. 322)	4642064	1	.75
54	1262F	left (comb. 322)	4642065	1	.75
53-54	PASS.	FASTENER, cowl trim pad	4620724	2	.05

NOTE: Cowl Trim Pads not listed may be obtained on special order from Flint.

**14.640 HEADLINING ASSEMBLY**

35	1001-11,	(comb. 53, 61, 62, 63)	4075572	1	13.85
37	1001-09-11-1201-09-11-19	(comb. 69, 70, 71, 79, 80, 81, 83)	4092480	1	10.97
38-39	COACHES, TOWN, 4-DOOR SEDANS	(comb. 79, 80, 81, 83)	4092481	1	12.12
39	1017-27-1217	(comb. 86, 87, 88, 97)	4103687	1	12.12
40	1017-27-1217-1817-27	(comb. 86, 87, 88)	4103688	1	13.85
40	1011-19-1211-19	(comb. 127)	4129494	1	15.58
41	1011-19	(comb. 126)	4129495	1	15.58
41	1069	(comb. 126),			
48	1069	(comb. 153)	4164758	1	17.32
42-48	1007	(comb. 132, 153)	4163887	1	17.32
42	1007	(comb. 141)	4143199	1	28.85
42-47	1069	(comb. 132)	4133185	1	17.32
41-48	SDL	(comb. 124, 137)	4148329	1	17.32
41-47	1011-19-1211-19	(comb. 115-6-7, 129, 130-1, 142),			
48	1011-19	(comb. 151)	4163224	1	16.45
48	1011-19	(comb. 152)	4163225	1	16.45
48	1211-19	(comb. 150)	4163368	1	16.45
41-47	CPES	(comb. 115-6-7-8-9, 129, 130-1),			
48	1027	(comb. 151-2)	4163512	1	14.45
48	1227-27B	(comb. 150)	4163569	1	14.45
49	1007-1207	(comb. 156, 157)	4173469	1	18.45
49	1007	(comb. 158)	4173470	1	18.45
49	1008-1208	(comb. 156, 157)	4173471	1	18.45
49	1008	(comb. 158)	4173472	1	18.45
49	1011-1211	(comb. 156, 157, 158)	4170646	1	18.45
49	1069-1269	(comb. 156, 157)	4170690	1	18.45
49	1069	(comb. 158)	4170691	1	18.45
49	1027-1227-27B	(comb. 156, 157, 158)	4170883	1	15.45
49	1061	(comb. 166)	4171466	1	32.90
49-52	1062	(comb. 166, 202, 218)	4171738	1	32.90
49-52	SDL	(comb. 183, 216)	4171582	1	22.80
50	1069-1269	(comb. 170, 171)	4174015	1	18.45
50	1007-1207	(comb. 170, 171)	4174163	1	18.45
50	1011-1211	(comb. 170, 171)	4174194	1	18.45

50	1027-1227-27B	(comb. 170, 171)	4174203	1	15.45
50	1008-1208	(comb. 170, 171)	4174232	1	18.45
50.51	1269 (TAXICAB)	(comb. 172)	4177886	1	31.73
50.51	BEL AIR	(comb. 185, 186, 187, 189)	4175264	1	18.45
51	1007-1207	(comb. 200, 201)	4178842	1	18.45
51	1011-1211	(comb. 200, 201)	4178898	1	18.45
51	1008-1208	(comb. 200, 201)	4178530	1	18.45
51	1069-1269	(comb. 200, 201)	4178948	1	18.45
51	1027-1227-27B	(comb. 200, 201)	4178578	1	15.45
52	1007	(comb. 211)	4189101	1	18.45
52	1007	(comb. 212)	4189127	1	18.45
52	1007	(comb. 213)	4189155	1	18.45
52	1011-1211	(comb. 210, 211)	4184635	1	18.45
52	1011	(comb. 212)	4189768	1	18.45
52	1011	(comb. 213)	4189196	1	18.45
52	1027-1227-27B	(comb. 210, 211)	4189204	1	15.45
52	1027	(comb. 212)	4189212	1	15.45
52	1027	(comb. 213)	4189221	1	15.45
52	1069-1269	(comb. 210, 211)	4189236	1	18.45
52	1069	(comb. 212)	4189769	1	18.45
52	1069	(comb. 213)	4189283	1	18.45
52	BEL AIR	(comb. 234)	4189441	1	18.45
52	BEL AIR	(comb. 235, 239)	4189307	1	18.45
52	BEL AIR	(comb. 236)	4189376	1	18.45
52	BEL AIR	(comb. 237)	4189342	1	18.45
52	BEL AIR	(comb. 240)	4190317	1	18.45
53	1011	(comb. 241, 245, 291)	4191908	1	18.45
53	1011	(comb. 242, 246)	4191591	1	18.45
53	1011	(comb. 243, 247, 292)	4191910	1	18.45
53	1011	(comb. 244, 248)	4191911	1	18.45
53	1211	(comb. 249)	4192446	1	18.45
53	1069WD	(comb. 245, 291)	4192368	1	18.45
53	1069WD	(comb. 246)	4191560	1	18.45
53	1069WD	(comb. 247, 292)	4192370	1	18.45
53	1069WD	(comb. 248)	4192371	1	18.45
53	1069W	(comb. 241)	4192276	1	18.45
53	1069W	(comb. 242)	4192277	1	18.45
53	1069W	(comb. 243)	4192278	1	18.45
53	1069W	(comb. 244)	4192279	1	18.45
53	1069W (TAXICAB)	(comb. 290)	4199836	1	31.73
53	1269	(comb. 249)	4192498	1	18.45
53	1269 (TAXICAB)	(comb. 290)	4199838	1	31.73
53	1027	(comb. 241)	4192128	1	15.45
53	1027	(comb. 242)	4192129	1	15.45
53	1027	(comb. 243)	4192130	1	15.45
53	1027	(comb. 244)	4192131	1	15.45
53	1227-27B	(comb. 249)	4196972	1	15.45
53	1037D	(comb. 254)	4192176	1	22.75
53	1037D	(comb. 258, 259)	4192177	1	22.75
53	1037D	(comb. 256)	4192178	1	22.75
53	1037D	(comb. 257)	4192179	1	22.75
53	1037	(comb. 241)	4198168	1	22.75
53	1037	(comb. 242)	4198169	1	22.75
53	1037	(comb. 243)	4198170	1	22.75
53	1037	(comb. 244)	4198171	1	22.75
53	1062-62F	(comb. 278, 280)	4193243	1	34.63
53	1262F	(comb. 277)	4193273	1	32.90
53	1271	(comb. 276)	4193285	1	22.70
54	1011W-11WD-1211	(comb. 300, 304, 309)	4200532	1	18.45
54	1011W-11WD	(comb. 308, 310)	4200533	1	18.45
54	1011W-11WD	(comb. 306, 311)	4200534	1	18.45
54	1011W	(comb. 307)	4200535	1	18.45
54	1011WD	(comb. 330)	4200787	1	18.45
54	1011WD	(comb. 331)	4208535	1	18.45
54	1011WA	(comb. 332, 333, 334)	4209137	1	22.75
54	1069W-1269W	(comb. 300, 304)	4200540	1	18.45
54	1069W	(comb. 305)	4200541	1	18.45
54	1069W	(comb. 306)	4200542	1	18.45
54	1069W	(comb. 307)	4200543	1	18.45



54	1069WD	(comb. 309)	4200788	1	18.45
54	1069WD	(comb. 310)	4200789	1	18.45
54	1069WD	(comb. 311)	4200790	1	18.45
54	1069WD	(comb. 330)	4200791	1	18.45
54	1069WD	(comb. 331)	4208567	1	18.45
54	SPT. CPE	(comb. 314)	4200992	1	22.75
54	SPT. CPE	(comb. 315)	4200993	1	22.75
54	SPT. CPE	(comb. 316, 317, 319)	4200994	1	22.75
54	SPT. CPE	(comb. 318)	4202147	1	22.75
54	1062D-62F	(comb. 323, 324)	4201166	1	34.65
54	1262F	(comb. 322)	4201243	1	32.90
54	SDL	(comb. 303)	4201144	1	22.70
37-48	PASS. (exc. CONV., STA. WAG.)	CLIP, headlining	4077470	A.R.	(12,954)

**14.650 BINDING, Headlining Finish**

36	PASS. (exc. STA. WAG.)	(comb. 53, 54, 55)			
39	PASS. (exc. STA. WAG., SDL)	(comb. 79, 80, 81, 83)			
40	1017-27-1217-1517-27	(comb. 86, 87, 88, 97)			
41	1227B-27P	(comb. 118, 119)			
41	PASS. (exc. CONV., STA. WAG., SDL)	(comb. 115-6-7, 126)	4128742	2	1.07
42-47	1007-69	(comb. 132) (79 long)	4133179	2	1.12
42-47	1011-19-27-27B-1211-19-27-27B-27P	(comb. 129, 130) (53 long)	4133075	2	1.07
48	1011-19-27	(comb. 151) (53 long)	4163362	2	1.10
48	1011-19-27	(comb. 152) (53 long)	4163363	2	1.10
48	1211-19-27-27B	(comb. 150) (53 long)	4163364	2	1.10
48	1007-69	(comb. 153) (79 long)	4164753	2	1.45
53	1062-62F	(comb. 278, 280)	4198116	2	.95
54	1062D-62F	(comb. 323, 324)	4201168	1	1.20
54	1262F	(comb. 322)	4201244	1	1.20
50-51	PASS. (exc. CONV., B-A, STA. WAG., SDL)	LACE, headlining w/wire (comb. 170, 171, 200, 201) (86 long)	4598998*	2	1.67

\*NOTE: To be used on jobs not having headlining retainer.

**TRIM ASSEMBLY, Windshield Header**

50	CONV., BEL AIR	(comb. 176, 186)	4178175	1	1.55
50	CONV., BEL AIR	(comb. 179, 189)	4178176	1	1.55
51	CONV., BEL AIR	(comb. 185, 205)	4180720	1	1.97
51	CONV., BEL AIR	(comb. 187, 207)	4180721	1	1.97
51	CONV., BEL AIR	(comb. 186, 206)	4180722	1	1.97
51	CONV., BEL AIR	(comb. 189, 209)	4180723	1	1.97
52	CONV., BEL AIR	(comb. 224, 234)	4189473	1	1.55
52	CONV., BEL AIR	(comb. 225, 235)	4189509	1	1.55
52	CONV., BEL AIR	(comb. 226, 236)	4189966	1	1.55
52	CONV., BEL AIR	(comb. 227, 237)	4185896	1	1.55
52	CONV., BEL AIR	(comb. 229, 239)	4186314	1	1.55
52	BEL AIR	(comb. 240)	4190316	1	1.55

**14.651 RETAINER, Headlining Trim (On Side Roof Rail)**

49-52	1069-1269	right—front	4562803	1	.62
49-52	1069-1269	left—front	4562804	1	.62
49-52	1069-1269	right—center	4562904	1	.57
49-52	1069-1269	left—center	4562905	1	.57
49-52	1069-1269	right—rear	4562906	1	.57
49-52	1069-1269	left—rear	4562907	1	.57
49-51	1008-1208	right—front	4563268	1	.62
49-51	1008-1208	left—front	4563269	1	.62
49-51	1008-1208	right—center	4563270	1	.73
49-51	1008-1208	left—center	4563271	1	.73
49-51	1008-1208	right—rear	4563272	1	.45
49-51	1008-1208	left—rear	4563273	1	.45
49-52	1007-1207	right	4581561	1	.95
49-52	1007-1207	left	4581562	1	.95
49-52	1011-1211	right	4581687	1	.95
49-52	1011-1211	left	4581688	1	.95
49-52	CPES	right	4563314	1	.73

49-52	CPES.....	left.....	4563315	1	.73
53-54	1011-27-1211-27-27B.....	right.....	4598668	1	.95
53-54	1011-27-1211-27-27B.....	left.....	4598669	1	.95
53-54	1069-1269-69W.....	right—front.....	4597815	1	.62
53-54	1069-1269-69W.....	left—front.....	4597816	1	.62
53-54	1069-1269-69W.....	right—center.....	4597817	1	.57
53-54	1069-1269-69W.....	left—center.....	4597818	1	.57
53-54	1069-1269-69W.....	right—rear.....	4597819*	1	.57
53-54	1069-1269-69W.....	left—rear.....	4597820*	1	.57

\*NOTE: When using on 1069WD cut off as required using old piece as guide.

**MOULDING—COVER—ESCUTCHEON, Roof Inner (Sides, W/S Header and Back Window)**

49-52	1062.....	right side—front.....	4569217	1	6.83
49-52	1062.....	left side—front.....	4569218	1	6.83
49-52	1062.....	right side—rear.....	4569219	1	6.83
49-52	1062.....	left side—rear.....	4569220	1	6.83
50-52	BEL AIR.....	right side—lower.....	4578582	1	3.02
50-52	BEL AIR.....	left side—lower.....	4578583	1	3.02
50-52	BEL AIR.....	right, lwr. (above back window) (less escn.).....	4587926	1	3.55
50-52	BEL AIR.....	left—lower (above back window).....	4587927	1	3.55
50-52	BEL AIR.....	right—lower (w/s header).....	4578910	1	2.02
50-52	BEL AIR.....	left—lower (w/s header).....	4578911	1	2.02
50-52	BEL AIR.....	right front—rear quarter (connects roof rail and back window mldgs.) (w/escn.).....	4593332	1	1.15
50-52	BEL AIR.....	left front—rear quarter (connects roof rail and back window mldgs.) (w/escn.).....	4593333	1	1.15
50-52	BEL AIR.....	right rear—rear quarter (connects roof rail and back window mldgs.).....	4593334	1	1.03
50-52	BEL AIR.....	left rear—rear quarter (connects roof rail and back window mldgs.).....	4593335	1	1.03
50-52	BEL AIR.....	right—upper (w/s header).....	4584802	1	4.92
50-52	BEL AIR.....	left—upper (w/s header).....	4584803	1	4.92
50-52	BEL AIR.....	right side—upper.....	4584804	1	10.40
50-52	BEL AIR.....	left side—upper.....	4584805	1	10.40
50-52	BEL AIR.....	right—upper (above back window).....	4584806	1	10.78
50-52	BEL AIR.....	left—upper (above back window).....	4584807	1	10.78
53-54	CONV.....	w/s header (48 $\frac{1}{8}$ dev. length).....	4602545	1	3.75
53-54	1037D.....	right side—front.....	4600858	1	4.50
53-54	1037D.....	left side—front.....	4600859	1	4.50
53-54	1037D.....	right side—rear.....	4600860	1	1.55
53-54	1037D.....	left side—rear.....	4600861	1	1.55
49-52	1062.....	COVER, right, front (plastic), (57 $\frac{1}{4}$ O.L.).....	4608022**	1	16.62
49-52	1062.....	COVER, left front (plastic) (57 $\frac{1}{4}$ O.L.).....	4608023**	1	16.62
49-52	1062.....	COVER, right, rear (plastic) (41 $\frac{1}{2}$ O.L.).....	4608024**	1	16.94
49-52	1062.....	COVER, left, rear (plastic) (41 $\frac{1}{2}$ O.L.).....	4608025**	1	16.94

\*\*NOTE: The above parts have built in moulding.

50-52	BEL AIR.....	ESCUTCHEON, moulding.....	4587975	1	.38
53-54	1037D.....	ESCUTCHEON, moulding side rail.....	4600538	2	.85

**14.652 CLIP, Side Roof Rail Inner Moulding**

50-52	BEL AIR.....	w/s header mldg. (10 used), rear quarter mldg. (8 used).....	4578823	A.R.	.06
-------	--------------	---	---------	------	-----

**14.645 WEATHERCORD ASSEMBLY, Body Hinge Pillar**

49-52	CONV., BEL AIR.....	right, hinge pillar (comb. 160, 175, 185, 195, 205, 225, 235).....	4189505	1	2.25
49-52	CONV., BEL AIR.....	left, hinge pillar (comb. 160, 175, 185, 195, 205, 225, 235).....	4189506	1	2.25
49-52	CONV., BEL AIR.....	right, hinge pillar (comb. 162, 176, 186, 196, 206, 226, 236).....	4185961	1	2.25
49-52	CONV., BEL AIR.....	left, hinge pillar (comb. 162, 176, 186, 196, 206, 226, 236).....	4185962	1	2.25
49-52	CONV., BEL AIR.....	right, hinge pillar (comb. 161, 177, 187, 197, 207, 227, 237).....	4185891	1	2.25
49-52	CONV., BEL AIR.....	left, hinge pillar (comb. 161, 177, 187, 197, 207, 227, 237).....	4185892	1	2.25

49-52	CONV., BEL AIR.....	right, hinge pillar (comb. 167, 179, 189, 199, 209, 229, 239).....	4186309	1	2.25
49-52	CONV., BEL AIR.....	left, hinge pillar (comb. 167, 179, 189, 199, 209, 229, 239).....	4186310	1	2.25
49-52	SDL.....	right (comb. 163, 216).....	4186298	1	4.62
49-52	SDL.....	left (comb. 163, 216).....	4186299	1	4.62
49	PASS. (exc. CONV., STA. WAG., SDL)..	right (comb. 156, 157) (119½ long - cut to size).....	4171848	A.R.	3.85
49	PASS. (exc. CONV., STA. WAG., SDL)..	left (comb. 156, 157) (119½ long—cut to size).....	4171849	A.R.	3.85
49	1007-08-11-27-69.....	right (comb. 158) (119½ long—cut to size).....	4171850	A.R.	3.85
49	1007-08-11-27-69.....	left (comb. 158) (119½ long—cut to size).....	4171851	A.R.	3.85
50-51	PASS. (exc. CONV., B-A, STA. WAG., SDL.).....	right (comb. 170, 171, 200, 201).....	4178896	1	3.85
50-51	PASS. (exc. CONV., B-A, STA. WAG., SDL.).....	left (comb. 170, 171, 200, 201).....	4178897	1	3.85
52	1007-11-27-69-1211-27-27B-69.....	right (comb. 210, 211).....	4189099	1	3.85
52	1007-11-27-69-1211-27-27B-69.....	left (comb. 210, 211).....	4189100	1	3.85
52	1007-11-27-69.....	right (comb. 212).....	4189761	1	3.85
52-53	1007-11-27-69.....	left (comb. 212, 242, 246).....	4191903	1	3.85
52	1007-11-27-69.....	right (comb. 213).....	4189153	1	3.85
52	1007-11-27-69.....	left (comb. 213).....	4189154	1	3.85
52	CONV., BEL AIR.....	right, hinge pillar (comb. 224, 234).....	4189469	1	2.25
52	CONV., BEL AIR.....	left, hinge pillar (comb. 224, 234).....	4189470	1	2.25
52	BEL AIR.....	right, hinge pillar (comb. 240).....	4190311	1	2.25
52	BEL AIR.....	left, hinge pillar (comb. 240).....	4190312	1	2.25
53	1011-27.....	right (comb. 244, 248) door opening.....	4191906	1	3.85
53	1011-27.....	left (comb. 244, 248) door opening.....	4191907	1	3.85
53	1011-27.....	right (comb. 242, 247, 292) dr. opg.....	4191904	1	3.85
53	1011-27.....	left (comb. 243, 247, 292) dr. opg.....	4191905	1	3.85
53	1011-27-69W.....	right (comb. 242, 246) door opening.....	4191902	1	3.85
53	1011-27-69WD-1269.....	right (comb. 241, 245, 249, 291) dr. opg.....	4191900	1	3.85
53	1011-27.....	left (comb. 241, 245, 291) dr. opg.....	4191901	1	3.85
53	1211-27-27B.....	right (comb. 249) door opening.....	4192444	1	3.85
53	1211-27-27B.....	left (comb. 249) door opening.....	4192445	1	3.85
53	1069W.....	right (comb. 241) frt. and rr. dr. opg.....	4192260	1	6.73
53	1069W.....	left (comb. 241) frt. and rr. dr. opg.....	4192261	1	6.73
53	1069WD.....	left (comb. 245, 291) frt. and rr. dr. opg.....	4192353	1	6.73
53	1069WD.....	right (comb. 246) frt. and rr. dr. opg.....	4192354	1	6.73
53	1069.....	right (comb. 243, 247, 292) frt. and rr. dr. opg.....	4192356	1	6.73
53	1069.....	left (comb. 243, 247, 292) frt. and rr. dr. opg.....	4192357	1	6.73
53	1069.....	right (comb. 244, 248) frt. and rr. dr. opg.....	4192358	1	6.73
53	1069.....	left (comb. 244, 248) frt. and rr. dr. opg.....	4192359	1	6.73
53	1269.....	left (comb. 249) frt. and rr. dr. opg.....	4192493	1	6.73
53	1067.....	right (comb. 284) hinge pillar.....	4197993	1	2.25
53	1067.....	left (comb. 284) hinge pillar.....	4197994	1	2.25
53	1067.....	right (comb. 285) hinge pillar.....	4197995	1	2.25
53	1067.....	left (comb. 285) hinge pillar.....	4197996	1	2.25
53	1067.....	right (comb. 286) hinge pillar.....	4197997	1	2.25
53	1067.....	left (comb. 286) hinge pillar.....	4197998	1	2.25
53	1067.....	right (comb. 287) hinge pillar.....	4197999	1	2.25
53	1067.....	left (comb. 287) hinge pillar.....	4198000	1	2.25
53	1067D.....	right (comb. 265) hinge pillar.....	4193304	1	2.25
53	1067D.....	left (comb. 265) hinge pillar.....	4193305	1	2.25
53	1067D.....	right (comb. 268) hinge pillar.....	4193310	1	2.25
53	1067D.....	left (comb. 268) hinge pillar.....	4193311	1	2.25
53	1037D-67D.....	right (comb. 254, 264) hinge pillar.....	4193302	1	2.25
53	1037D-67D.....	left (comb. 254, 264) hinge pillar.....	4193303	1	2.25
53	1037D-67D.....	right (comb. 256, 266) hinge pillar.....	4193306	1	2.25
53	1037D-67D.....	left (comb. 256, 266) hinge pillar.....	4193307	1	2.25
53	1037D-67D.....	right (comb. 257, 267) hinge pillar.....	4193308	1	2.25
53	1037D-67D.....	left (comb. 257, 267) hinge pillar.....	4193309	1	2.25
53-54	1037D-67D.....	right (comb. 259, 269, 319, 329) hinge pillar.....	4193312	1	2.25
53-54	1037D-67D.....	left (comb. 259, 269, 319, 329) hinge pillar.....	4193313	1	2.25
53	1037D.....	right (comb. 258) hinge pillar.....	4193191	1	2.25

53	1037D	left (comb. 258) hinge pillar	4193192	1	2.25
53	1037	right (comb. 241) hinge pillar	4198148	1	2.25
53	1037	left (comb. 241) hinge pillar	4198149	1	2.25
53	1037	right (comb. 242) hinge pillar	4198150	1	2.25
53	1037	left (comb. 242) hinge pillar	4198151	1	2.25
53	1037	right (comb. 243) hinge pillar	4198152	1	2.25
53	1037	left (comb. 243) hinge pillar	4198153	1	2.25
53	1037	right (comb. 244) hinge pillar	4198154	1	2.25
53	1037	left (comb. 244) hinge pillar	4198155	1	2.25
53	1037	(comb. 241) over dr. and qtr. window	4198184	2	1.45
53	1037	(comb. 242) over dr. and qtr. window	4198185	2	1.45
53	1037	(comb. 243) over dr. and qtr. window	4198186	2	1.45
53	1037	(comb. 244) over dr. and qtr. window	4198187	2	1.45
53	1062-62F	right (comb. 278) frt. and rr. dr. opg.	4193239	1	8.45
53	1062-62F	left (comb. 278) frt. and rr. dr. opg.	4193240	1	8.45
53	1062-62F	right (comb. 280) frt. and rr. dr. opg.	4197535	1	7.95
53	1062-62F	left (comb. 280) frt. and rr. dr. opg.	4197536	1	7.95
53	1262F	right (comb. 277) frt. and rr. dr. opg.	4193269	1	8.45
53	1262F	left (comb. 277) frt. and rr. dr. opg.	4193270	1	8.45
53	SDL	right (comb. 276) front door opening	4193283	1	4.62
53	SDL	left (comb. 276) front door opening	4193284	1	4.62
54	1011W-11WD-69	right (comb. 304, 309) frt. and rr. dr. opg.	4200500	1	3.85
54	1011W-11WD-69	left (comb. 304, 309) frt. and rr. dr. opg.	4200501	1	3.85
54	1011W-11WD-69	right (comb. 305, 310) frt. and rr. dr. opg.	4200502	1	3.85
54	1011W-11WD-69	left (comb. 305, 310) frt. and rr. dr. opg.	4200503	1	3.85
54	1011W-11WD-69	right (comb. 306, 311) frt. and rr. dr. opg.	4200504	1	3.85
54	1011W-11WD-69	left (comb. 306, 311) frt. and rr. dr. opg.	4200505	1	3.85
54	1011W-69W	right (comb. 307) frt. and rr. dr. opg.	4200506	1	3.85
54	1011W-69W	left (comb. 307) frt. and rr. dr. opg.	4200507	1	3.85
54	1011WD-69WD	right (comb. 300, 330) frt. and rr. dr. opg.	4200758	1	3.85
54	1011WD-69WD	left (comb. 300, 330) frt. and rr. dr. opg.	4200759	1	3.85
54	1011WD-69WD	right (comb. 331) frt. and rr. dr. opg.	4208533	1	3.85
54	1011WD-69WD	left (comb. 331) frt. and rr. dr. opg.	4208534	1	3.85
54	1011WA	right (comb. 332) door opening	4209131	1	3.85
54	1011WA	left (comb. 332) door opening	4209132	1	3.85
54	1011WA	right (comb. 333) door opening	4209133	1	3.85
54	1011WA	left (comb. 333) door opening	4209134	1	3.85
54	1011WA	right (comb. 334) door opening	4209135	1	3.85
54	1011WA	left (comb. 334) door opening	4209136	1	3.85
54	1211-69W	right (comb. 300) frt. and rr. dr. opg.	4201084	1	3.85
54	1211-69W	left (comb. 300) frt. and rr. dr. opg.	4201085	1	3.85
54	CONV., SPT. CPE	right (comb. 314, 327) hinge pillar	4200972	1	2.25
54	CONV., SPT. CPE	left (comb. 314, 327) hinge pillar	4200973	1	2.25
54	CONV., SPT. CPE	right (comb. 315, 326) hinge pillar	4200974	1	2.25
54	CONV., SPT. CPE	left (comb. 315, 326) hinge pillar	4200975	1	2.25
54	CONV., SPT. CPE	right (comb. 316, 325) hinge pillar	4200976	1	2.25
54	CONV., SPT. CPE	left (comb. 316, 325) hinge pillar	4200977	1	2.25
54	CONV., SPT. CPE	right (comb. 317, 337) hinge pillar	4200978	1	2.25
54	CONV., SPT. CPE	left (comb. 317, 337) hinge pillar	4200979	1	2.25
54	CONV., SPT. CPE	right (comb. 318, 328) hinge pillar	4202142	1	2.25
54	CONV., SPT. CPE	left (comb. 318, 328) hinge pillar	4202143	1	2.25
54	1062D-62F	right (comb. 323) frt. and rr. door opg.	4201160	1	8.45
54	1062D-62F	left (comb. 323) frt. and rr. door opg.	4201161	1	8.45
54	1062D-62F	right (comb. 324) frt. and rr. door opg.	4201162	1	8.45
54	1062D-62F	left (comb. 324) frt. and rr. door opg.	4201163	1	8.45
54	1262F	right (comb. 322) frt. and rr. door opg.	4201240	1	8.45
54	1262F	left (comb. 322) frt. and rr. door opg.	4201241	1	8.45
54	SDL	right (comb. 303) frt. door opening	4201142	1	4.65
54	SDL	left (comb. 303) frt. door opening	4201143	1	4.65

#### 14.666 CLIP, Front Hinge Pillar Weathercord

49	PASS.				
50	STA. WAG.		4566313	6	.03

#### 14.668 RETAINER, Front Body Pillar Trim

42-48	PASS. (exc. CONV.)	right (on body)	4131983	1	.95
42-48	PASS. (exc. CONV.)	left (on body)	4131984	1	.95
49-52	PASS.	right—lower	4611855	1	1.40
49-52	PASS.	left—lower	4611856	1	1.40



53	PASS.	right, lower (on hinge pillar) (28 $\frac{1}{8}$ long)	4623226	1	1.85
53	PASS.	left, lower (on hinge pillar) (26 $\frac{1}{8}$ long)	4623227	1	1.85
53-54	1011-27-69-1211-27-27B-69-69W-71	right, upper (13 $\frac{1}{4}$ long)	4601084	1	.30
53-54	1011-27-69-1211-27-27B-69-69W-71	left, upper (13 $\frac{1}{4}$ long)	4601085	1	.30
53-54	STA. WAG.	right, upper (14 $\frac{1}{8}$ long)	4602546	1	.50
53-54	STA. WAG.	left, upper (14 $\frac{1}{8}$ long)	4602547	1	.50
39-48	PASS. (exc. STA. WAG.)	SCREW, retainer (No. 8-32x $\frac{5}{16}$ binding head)	179311	10	(8.977)
48	PASS. (exc. STA. WAG.)	SCREW, retainer to pillar	120221	A.R.	(8.906)

**14.688 LACE, Door Window Garnish Moulding**

48	1019-27	right and left (comb. 151)	4163172	A.R.	(15.527)
48	1007-19-27-69	right and left (comb. 152, 153)	4163173	A.R.	(15.527)

**14.685 PAD ASSEMBLY, Front Door Lower Trim (less arm rest)**

41	1011-27-27B	right (comb. 115, 116)	4118297	1	18.18
41	1011-27-27B	left (comb. 115, 116)	4118298	1	18.18
42-46	1007	right (comb. 132) (less mouldings)	4134373	1	21.63
42-46	1007	left (comb. 132) (less mouldings)	4134374	1	21.63
42	1011-27-27B	right (comb. 130) (less mouldings)	4133220	1	20.20
42	1011-27-27B	left (comb. 130) (less mouldings)	4133221	1	20.20
42-46	1069	right (comb. 132) (less mouldings)	4133882	1	18.18
42-46	1219	right (comb. 129, 142)	4147002	1	14.43
42-46	1219	left (comb. 129, 142)	4147003	1	14.43
42-48	CONV.	right (comb. 136, 145, 148) (less midgs.)	4165923	1	17.32
42-48	CONV.	left (comb. 136, 145, 148) (less midgs.)	4165924	1	17.32
42-48	CONV.	left (comb. 135, 144, 147) (less midgs.)	4165926	1	17.32
42-48	SDL	right (comb. 137)	4148361	1	10.97
42-48	SDL	left (comb. 137)	4148362	1	10.97
46	1011	right (comb. 130)	4148549	1	20.20
46	1011	left (comb. 130)	4148550	1	20.20
46	1019	left (comb. 130)	4147170	1	18.18
46	1027	right (comb. 130)	4148522	1	20.20
46	1211-27-27B	right (comb. 129)	4148524	1	18.18
46	1211-27-27B	left (comb. 129)	4148525	1	18.18
46-48	STA. WAG.	right	3847232	1	17.32
46-48	STA. WAG.	left	3847233	1	17.32
47	1007	right (comb. 132) (w/moulding)	4161559	1	21.63
47	1007	left (comb. 132) (w/moulding)	4161560	1	21.63
47	1019	right (comb. 130) (w/moulding)	4161597	1	18.18
47	1019	left (comb. 130) (w/moulding)	4161598	1	18.18
47	1011-27	right (comb. 130) (w/moulding)	4161646	1	20.20
47	1011-27	left (comb. 130) (w/moulding)	4161647	1	20.20
47	1069	right (comb. 132) (w/moulding)	4161569	1	19.33
47	1069	left (comb. 132) (w/moulding)	4161570	1	19.33
47	1211	right (comb. 129) (less moulding)	4161595	1	19.33
47	1211-27-27B	left (comb. 129) (less moulding)	4161649	1	19.33
47	1219	right (comb. 129) (less moulding)	4161599	1	15.87
47	1219	left (comb. 129) (less moulding)	4161600	1	15.87
47	1227-27B	right (comb. 129) (less moulding)	4161648	1	19.33
48	1011	right (comb. 151) (w/moulding)	4163238	1	20.20
48	1011	left (comb. 151) (w/moulding)	4163239	1	20.20
48	1019	right (comb. 151) (w/moulding)	4163301	1	18.18
48	1019	left (comb. 151) (w/moulding)	4163302	1	18.18
48	1211	left (comb. 150) (w/moulding)	4163380	1	18.18
48	1219	right (comb. 150) (w/moulding)	4163381	1	15.87
48	1219	left (comb. 150) (w/moulding)	4163382	1	15.87
48	1027	right (comb. 151) (w/moulding)	4163527	1	20.20
48	1027	left (comb. 151) (w/moulding)	4163528	1	20.20
48	1227-27B	right (comb. 150) (w/moulding)	4163583	1	19.33
48	1227-27B	left (comb. 150) (w/moulding)	4163584	1	19.33
48	1007	right (comb. 153) (w/moulding)	4163895	1	21.63
48	1007	left (comb. 153) (w/moulding)	4163896	1	21.63
48	1069	right (comb. 153) (w/moulding)	4164764	1	19.33
48	1069	left (comb. 153) (w/moulding)	4164765	1	19.33
49	1007	right (comb. 157) (moulding type)	4170536	1	22.50
49	1007	left (comb. 157) (moulding type)	4170537	1	22.50
49	1007	right (comb. 158) (moulding type)	4170538	1	22.50

49	1007	left (comb. 158) (moulding type)	4170539	1	22.50
49	1007	right (comb. 158) (nail-on type)	4170542	1	22.40
49	1007	left (comb. 158) (nail-on type)	4170543	1	22.40
49	1207	right (comb. 156) (moulding type)	4170560	1	19.05
49	1207	left (comb. 156) (moulding type)	4170561	1	19.05
49	1008	right (comb. 158)	4170605	1	20.20
49	1008	left (comb. 158)	4170606	1	20.20
49	1208	right (comb. 156)	4170620	1	16.73
49	1208	left (comb. 156)	4170621	1	16.73
49	1007-11-27	right (comb. 157)	4170655	1	22.40
49	1007-11-27	left (comb. 157)	4170656	1	22.40
49	1011-27	right (comb. 158)	4170657	1	22.40
49	1011-27	left (comb. 158)	4170658	1	22.40
49	1207-11-27-27B	right (comb. 156)	4170668	1	18.98
49	1207-11-27-27B	left (comb. 156)	4170669	1	18.98
49	1008-69	right (comb. 157)	4170692	1	20.13
49	1008-69	left (comb. 157)	4170693	1	20.13
49	1069	right (comb. 158)	4170694	1	20.13
49	1069	left (comb. 158)	4170695	1	20.13
49	1269	right (comb. 156)	4170706	1	16.73
49	1269	left (comb. 156)	4170707	1	16.73
49	CONV	right (comb. 160)	4171169	1	27.42
49	CONV	left (comb. 160)	4171170	1	27.42
49	CONV	right (comb. 161)	4171171	1	27.42
49	CONV	left (comb. 161)	4171172	1	27.42
49	CONV	right (comb. 162)	4171173	1	27.42
49	CONV	left (comb. 162)	4171174	1	27.42
49	CONV	right (comb. 167)	4171175	1	27.42
49	CONV	left (comb. 167)	4171176	1	27.42
49	SDL	right (comb. 163)	4171584	1	11.55
49	SDL	left (comb. 163)	4171585	1	11.55
49	1062	right (wood)	4563240	1	34.06
49	1062	left (wood)	4563241	1	34.06
49	1061	right (wood)	4567947	1	34.06
49	1061	left (wood)	4567948	1	34.06
50-51	SDL	right (comb. 163)	4173943	1	11.55
50-51	SDL	left (comb. 163)	4173944	1	11.55
50	1007-11-27	right (comb. 171)	4174168	1	22.50
50	1007-11-27	left (comb. 171)	4174169	1	22.50
50	1008-69	right (comb. 171)	4174233	1	20.20
50	1008-69	left (comb. 171)	4174234	1	20.20
50	1207-11-27-27B	right (comb. 170)	4174265	1	19.05
50	1207-11-27-27B	left (comb. 170)	4174266	1	19.05
50	1208-69	right (comb. 170)	4174302	1	16.73
50	1208-69	left (comb. 170)	4174303	1	16.73
50	CONV	right (comb. 196)	4174832	1	27.42
50	CONV	left (comb. 196)	4174833	1	27.42
50	CONV., BEL AIR	right (comb. 175, 185)	4175267	1	27.42
50	CONV., BEL AIR	left (comb. 175, 185)	4175268	1	27.42
50	CONV., BEL AIR	right (comb. 177, 187)	4175269	1	27.42
50	CONV., BEL AIR	left (comb. 177, 187)	4175270	1	27.42
50	CONV., BEL AIR	right (comb. 176, 186)	4175271	1	27.42
50	CONV., BEL AIR	left (comb. 176, 186)	4175272	1	27.42
50	CONV., BEL AIR	right (comb. 179, 189)	4175273	1	27.42
50	CONV., BEL AIR	left (comb. 179, 189)	4175274	1	27.42
51	1007-11-27	right (comb. 201)	4178509	1	22.50
51	1007-11-27	left (comb. 201)	4178510	1	22.50
51	1008-69	right (comb. 201)	4178534	1	20.20
51	1008-69	left (comb. 201)	4178535	1	20.20
51	1207-11-27-27B	right (comb. 200)	4178629	1	19.05
51	1207-11-27-27B	left (comb. 200)	4178630	1	19.05
51	1208-69	right (comb. 200)	4178650	1	16.73
51	1208-69	left (comb. 200)	4178651	1	16.73
51	CONV	right (comb. 205)	4179974	1	28.42
51	CONV	left (comb. 205)	4179975	1	28.42
51	CONV	right (comb. 206)	4179930	1	28.85
51	CONV	left (comb. 206)	4179931	1	28.85
51	CONV	right (comb. 207)	4179952	1	28.85

51	CONV.	left (comb. 207)	4179953	1	28.85
51	CONV.	right (comb. 209)	4179908	1	28.85
51	CONV.	left (comb. 209)	4179909	1	28.85
51	BEL AIR	right (comb. 185)	4181055	1	27.42
51	BEL AIR	left (comb. 185)	4181056	1	27.42
51	BEL AIR	right (comb. 186)	4181015	1	27.42
51	BEL AIR	left (comb. 186)	4181016	1	27.42
51	BEL AIR	right (comb. 187)	4181035	1	27.42
51	BEL AIR	left (comb. 187)	4181036	1	27.42
51	BEL AIR	right (comb. 189)	4179995	1	27.42
51	BEL AIR	left (comb. 189)	4179996	1	27.42
52	1007-11-27	right (comb. 211)	4189106	1	22.50
52	1007-11-27	left (comb. 211)	4189107	1	22.50
52	1007-11-27	right (comb. 212)	4189133	1	22.50
52	1007-11-27	left (comb. 212)	4189134	1	22.50
52	1007-11-27	right (comb. 213)	4189161	1	22.50
52	1007-11-27	left (comb. 213)	4189162	1	22.50
52	1211-27-27B	right (comb. 210)	4186490	1	19.05
52	1211-27-27B	left (comb. 210)	4186491	1	19.05
52	1069	right (comb. 211)	4189237	1	20.20
52	1069	left (comb. 211)	4189238	1	20.20
52	1069	right (comb. 212)	4189260	1	20.20
52	1069	left (comb. 212)	4189261	1	20.20
52	1069	right (comb. 213)	4189284	1	20.20
52	1069	left (comb. 213)	4189285	1	20.20
52	1269	right (comb. 210)	4186541	1	16.73
52	1269	left (comb. 210)	4186542	1	16.73
52	CONV., BEL AIR	right (comb. 224, 234)	4189484	1	27.42
52	CONV., BEL AIR	left (comb. 224, 234)	4189485	1	27.42
52	CONV., BEL AIR	right (comb. 225, 235)	4189520	1	27.42
52	CONV., BEL AIR	left (comb. 225, 235)	4189521	1	27.42
52	CONV., BEL AIR	right (comb. 226, 236)	4189572	1	27.42
52	CONV., BEL AIR	left (comb. 226, 236)	4189573	1	27.42
52	CONV., BEL AIR	right (comb. 227, 237)	4189592	1	27.42
52	CONV., BEL AIR	left (comb. 227, 237)	4189593	1	27.42
52	CONV., BEL AIR	right (comb. 229, 239)	4189628	1	27.42
52	CONV., BEL AIR	left (comb. 229, 239)	4189629	1	27.42
52	BEL AIR	right (comb. 240)	4190323	1	27.42
52	BEL AIR	left (comb. 240)	4190324	1	27.42
52	SDL	right (comb. 216)	4189649	1	11.55
52	SDL	left (comb. 216)	4189650	1	11.55
53	1011W-27	right (comb. 241)	4191932	1	20.20
53	1011W-27	left (comb. 241)	4191933	1	20.20
53	1011W-27	right (comb. 242)	4191934	1	20.20
53	1011W-27	left (comb. 242)	4191935	1	20.20
53	1011W-27	right (comb. 243)	4191936	1	20.20
53	1011W-27	left (comb. 243)	4191937	1	20.20
53	1011W-27	right (comb. 244)	4191938	1	20.20
53	1011W-27	left (comb. 244)	4191939	1	20.20
53	1011WD	right (comb. 245, 291)	4192040	1	22.40
53	1011WD	left (comb. 245, 291)	4192041	1	22.40
53	1011WD	right (comb. 246)	4192042	1	22.40
53	1011WD	left (comb. 246)	4192043	1	22.40
53	1011WD	right (comb. 247, 292)	4192044	1	22.40
53	1011WD	left (comb. 247, 292)	4192045	1	22.40
53	1011WD	right (comb. 248)	4192046	1	22.40
53	1011WD	left (comb. 248)	4192047	1	22.40
53	1211-27-27B	right (comb. 249)	4192450	1	19.05
53	1211-27-27B	left (comb. 249)	4192451	1	19.05
53	1069W	right (comb. 241)	4192288	1	20.20
53	1069W	left (comb. 241)	4192289	1	20.20
53	1069W	right (comb. 242)	4192290	1	20.20
53	1069W	left (comb. 242)	4192291	1	20.20
53	1069W	right (comb. 243)	4192292	1	20.20
53	1069W	left (comb. 243)	4192293	1	20.20
53	1069W	right (comb. 244)	4192294	1	20.20
53	1069W	left (comb. 244)	4192295	1	20.20
53	1069W (TAXICAB)	right (comb. 290)	4200406	1	20.20

53	1069W (TAXICAB)	left (comb. 290)	4200407	1	20.20
53	1069WD	right (comb. 245, 291)	4192380	1	22.40
53	1069WD	left (comb. 245, 291)	4192381	1	22.40
53	1069WD	right (comb. 246)	4192382	1	22.40
53	1069WD	left (comb. 246)	4192383	1	22.40
53	1069WD	right (comb. 247, 292)	4192384	1	22.40
53	1069WD	left (comb. 247, 292)	4192385	1	22.40
53	1069WD	right (comb. 248)	4192386	1	22.40
53	1069WD	left (comb. 248)	4192387	1	22.40
53	1269	right (comb. 249)	4192500	1	16.73
53	1269	left (comb. 249)	4192501	1	16.73
53	1269 (TAXICAB)	right (comb. 290)	4200404	1	16.73
53	1269 (TAXICAB)	left (comb. 290)	4200405	1	16.73
53	1067D	right (comb. 265)	4193388	1	27.42
53	1067D	left (comb. 265)	4193389	1	27.42
53	1067	right (comb. 284)	4198049	1	25.90
53	1067	left (comb. 284)	4198050	1	25.90
53	1067	right (comb. 285)	4198051	1	25.90
53	1067	left (comb. 285)	4198052	1	25.90
53	1067	right (comb. 286)	4198053	1	25.90
53	1067	left (comb. 286)	4198054	1	25.90
53	1067	right (comb. 287)	4198055	1	25.90
53	1067	left (comb. 287)	4198056	1	25.90
53	1037D-67D	right (comb. 254, 264)	4193386	1	27.42
53	1037D-67D	left (comb. 254, 264)	4193387	1	27.42
53	1037D-67D	right (comb. 256, 266)	4193390	1	27.42
53	1037D-67D	left (comb. 256, 266)	4193391	1	27.42
53	1037D-67D	right (comb. 257, 267)	4193392	1	27.42
53	1037D-67D	left (comb. 257, 267)	4193393	1	27.42
53	1037D-67D	right (comb. 258, 268)	4193207	1	27.42
53	1037D-67D	left (comb. 258, 268)	4193208	1	27.42
53	1037D-67D	right (comb. 259, 269)	4193396	1	27.42
53	1037D-67D	left (comb. 259, 269)	4193397	1	27.42
53	1037	right (comb. 241)	4198202	1	22.40
53	1037	left (comb. 241)	4198203	1	22.40
53	1037	right (comb. 242)	4198204	1	22.40
53	1037	left (comb. 242)	4198205	1	22.40
53	1037	right (comb. 243)	4198206	1	22.40
53	1037	left (comb. 243)	4198207	1	22.40
53	1037	right (comb. 244)	4198208	1	22.40
53	1037	left (comb. 244)	4198209	1	22.40
53	1062-62F	right (comb. 278)	4197544	1	25.90
53	1062-62F	left (comb. 278)	4197545	1	25.90
53	1062-62F	right (comb. 280)	4197542	1	25.90
53	1062-62F	left (comb. 280)	4197543	1	25.90
53	1262F	right (comb. 277)	4197155	1	18.60
53	1262F	left (comb. 277)	4197156	1	18.60
53	SDL	right (comb. 276)	4193287	1	11.55
53	SDL	left (comb. 276)	4193288	1	11.55
54	1011W	right (comb. 304)	4200576	1	20.20
54	1011W	left (comb. 304)	4200577	1	20.20
54	1011W	right (comb. 305)	4200578	1	20.20
54	1011W	left (comb. 305)	4200579	1	20.20
54	1011W	right (comb. 306)	4200580	1	20.20
54	1011W	left (comb. 306)	4200581	1	20.20
54	1011W	right (comb. 307)	4200582	1	20.20
54	1011W	left (comb. 307)	4200583	1	20.20
54	1011WA	right (comb. 332)	4209149	1	25.90
54	1011WA	left (comb. 332)	4209150	1	25.90
54	1011WA	right (comb. 333)	4209151	1	25.90
54	1011WA	left (comb. 333)	4209152	1	25.90
54	1011WA	right (comb. 334)	4209153	1	25.90
54	1011WA	left (comb. 334)	4209154	1	25.90
54	1011WD	right (comb. 309)	4200820	1	22.40
54	1011WD	left (comb. 309)	4200821	1	22.40
54	1011WD	right (comb. 310)	4200822	1	22.40
54	1011WD	left (comb. 310)	4200823	1	22.40
54	1011WD	right (comb. 311)	4200824	1	22.40



54	1011WD	left (comb. 311)	4200825	1	22.40
54	1011WD	right (comb. 330)	4200826	1	22.40
54	1011WD	left (comb. 330)	4200827	1	22.40
54	1011WD	right (comb. 331)	4208541	1	22.40
54	1011WD	left (comb. 331)	4208542	1	22.40
54	1211	right (comb. 300)	4201102	1	19.05
54	1211	left (comb. 300)	4201103	1	19.05
54	1069W	right (comb. 304)	4200584	1	20.20
54	1069W	left (comb. 304)	4200585	1	20.20
54	1069W	right (comb. 305)	4200586	1	20.20
54	1069W	left (comb. 305)	4200587	1	20.20
54	1069W	right (comb. 306)	4200588	1	20.20
54	1069W	left (comb. 306)	4200589	1	20.20
54	1069W	right (comb. 307)	4200590	1	20.20
54	1069W	left (comb. 307)	4200591	1	20.20
54	1069WD	right (comb. 309)	4200828	1	27.95
54	1069WD	left (comb. 309)	4200829	1	27.95
54	1069WD	right (comb. 310)	4200830	1	27.95
54	1069WD	left (comb. 310)	4200831	1	27.95
54	1069WD	right (comb. 311)	4200832	1	27.95
54	1069WD	left (comb. 311)	4200833	1	27.95
54	1069WD	right (comb. 330)	4200834	1	27.95
54	1069WD	left (comb. 330)	4200835	1	27.95
54	1069WD	right (comb. 331)	4208570	1	27.95
54	1069WD	left (comb. 331)	4208571	1	27.95
54	1269W	right (comb. 300)	4201104	1	16.75
54	1269W	left (comb. 300)	4201105	1	16.75
54	CONV., SPT. CPE.	right (comb. 314, 327)	4201016	1	27.95
54	CONV., SPT. CPE.	left (comb. 314, 327)	4201017	1	27.95
54	CONV., SPT. CPE.	right (comb. 315, 326)	4201018	1	27.95
54	CONV., SPT. CPE.	left (comb. 315, 326)	4201019	1	27.95
54	CONV., SPT. CPE.	right (comb. 316, 325)	4201020	1	27.95
54	CONV., SPT. CPE.	left (comb. 316, 325)	4201021	1	27.95
54	CONV., SPT. CPE.	right (comb. 317, 337)	4201022	1	27.95
54	CONV., SPT. CPE.	left (comb. 317, 337)	4201023	1	27.95
54	CONV., SPT. CPE.	right (comb. 318, 328)	4202153	1	27.95
54	CONV., SPT. CPE.	left (comb. 318, 328)	4202154	1	27.95
54	CONV., SPT. CPE.	right (comb. 319, 329)	4202181	1	27.95
54	CONV., SPT. CPE.	left (comb. 319, 329)	4202182	1	27.95
54	1062D-62F	right (comb. 323)	4201176	1	25.90
54	1062D-62F	left (comb. 323)	4201177	1	25.90
54	1062D-62F	right (comb. 324)	4201178	1	25.90
54	1062D-62F	left (comb. 324)	4201179	1	25.90
54	1262F	right (comb. 322)	4201248	1	18.60
54	1262F	left (comb. 322)	4201249	1	18.60
54	SDL	right (comb. 303)	4201145	1	11.55
54	SDL	left (comb. 303)	4201146	1	11.55
50-52	STA. WAG.	PANEL, right (wood)	4580932	1	34.06
50-52	STA. WAG.	PANEL, left (wood)	4580933	1	34.06
36-52	PASS. (exc. STA. WAG.)	TAB, trim	4081772	A.R.	(10.357)

#### 14.686 REST ASSEMBLY, Door Arm, Trimmed

40-48	CONV.	(comb. 96, 123, 136, 145, 148),			
41	1069	(comb. 126),			
48	1007-69	(comb. 153)	4163897	2	3.98
41	PASS. (exec. 1067-69-1271)	(comb. 115, 116, 117, 118, 119),			
42-47	1011-19-27-27B	(comb. 130)	4131172	2	3.63
42	1011-19-27-27E	(comb. 131),			
42-47	1007-69	(comb. 132)	4148353	2	3.98
42-48	CONV.	(comb. 135, 144, 147),			
50	CONV., BEL AIR,				
51	BEL AIR	(comb. 177, 187, 197)	4181037	2	6.27
48	CONV.	(comb. 155),			
50	CONV., BEL AIR,				
51	BEL AIR	(comb. 176, 186, 196)	4181017	2	6.27
48	1011-19-27	(comb. 151)	4163242	2	3.63
48	1011-19-27	(comb. 152)	4163243	2	3.63
49	Ser. 1000 (exec. CONV., STA. WAG.)	right, frt. and rear doors (less metal cover)			
		(comb. 157, 158)	4171627	A.R.	3.63

49	Ser. 1000 (exc. CONV., STA. WAG.)	left, frt. and rear doors (less metal cover) (comb. 157, 158)	4171628	A.R.	3.63
49	CONV.	right (less metal cover) (comb. 160)	4171629	1	3.87
49	CONV.	left (less metal cover) (comb. 160)	4171630	1	3.87
49	CONV.	right (less metal cover) (comb. 162)	4171633	1	3.87
49	CONV.	left (less metal cover) (comb. 167)	4171636	1	3.87
49	STA. WAG.	right (less metal cover) (comb. 166)	4171641	1	3.87
49	STA. WAG.	left (less metal cover) (comb. 166)	4171642	1	3.87
50	1007-08-11-27-69	front and rear, right and left (comb. 171)	4173921	A.R.	3.98
50	STA. WAG.	front, right and left (comb. 168)	4174002	2	3.98
50	CONV., BEL AIR				
51	BEL AIR	(comb. 175, 185, 195)	4181057	2	6.27
50	CONV., BEL AIR				
51	BEL AIR	right and left (comb. 179, 189, 199)	4179997	2	6.27
51	1007-08-11-27-69	front and rear, right and left (comb. 201)	4178511	A.R.	4.33
51	CONV.	right and left (comb. 205)	4179976	2	6.03
51	CONV.	right and left (comb. 206)	4179932	2	6.25
51	CONV.	right and left (comb. 207)	4179954	2	6.35
51	CONV.	right and left (comb. 209)	4179910	2	6.35
51	STA. WAG.	front doors, right and left (comb. 202)	4181071	2	4.57
52	1007-11-27-69	right, front and rear (comb. 211)	4189865	A.R.	3.03
52	1007-11-27-69	left, front and rear (comb. 211)	4189866	A.R.	3.03
52	1007-11-27-69	right, front and rear (comb. 212)	4189867	A.R.	3.03
52	1007-11-27-69	left, front and rear (comb. 212)	4189868	A.R.	3.03
52	1007-11-27-69	right, front and rear (comb. 213)	4189869	A.R.	3.03
52	1007-11-27-69	left, front and rear (comb. 213)	4189870	A.R.	3.03
52	CONV., BEL AIR	right (comb. 224, 234)	4189486	1	3.03
52	CONV., BEL AIR	left (comb. 224, 234)	4189487	1	3.03
52	CONV., BEL AIR	right (comb. 225, 235)	4189522	1	3.03
52	CONV., BEL AIR	left (comb. 225, 235)	4189523	1	3.03
52	CONV., BEL AIR	right (comb. 226, 236)	4189574	1	3.03
52	CONV., BEL AIR	left (comb. 226, 236)	4189575	1	3.03
52	CONV., BEL AIR	right (comb. 227, 237)	4189594	1	3.03
52	CONV., BEL AIR	left (comb. 227, 237)	4189595	1	3.03
52	CONV., BEL AIR	right (comb. 229, 239)	4189630	1	3.03
52	CONV., BEL AIR	left (comb. 229, 239)	4189631	1	3.03
52	BEL AIR	right (comb. 240)	4190325	1	3.03
52	BEL AIR	left (comb. 240)	4190326	1	3.03
52	STA. WAG.	right, front (comb. 218)	4190272	1	3.03
52	STA. WAG.	left, front (comb. 218)	4190273	1	3.03
53	1011W-27-37-69W	right (comb. 241)	4191940	1	3.03
53	1011W-27-37-69W	left (comb. 241)	4191941	1	3.03
53	1011W-27-37-69W	right (comb. 242)	4191942	1	3.03
53	1011W-27-37-69W	left (comb. 242)	4191943	1	3.03
53	1011W-27-37-69-1262F	right (comb. 243)	4191944	1	3.03
53	1011W-27-37-69-1262F	left (comb. 243)	4191945	1	3.03
53	1011W-27-37-69W	right (comb. 244)	4191946	1	3.03
53	1011W-27-37-69W	left (comb. 244)	4191947	1	3.03
53	1011WD-69WD	right (comb. 245, 291)	4197251	1	3.03
53	1011WD-69WD	left (comb. 245, 291)	4197252	1	3.03
53	1011WD-69WD	right (comb. 246)	4197253	1	3.03
53	1011WD-69WD	left (comb. 246)	4197254	1	3.03
53	1011WD-69WD	right (comb. 247, 292)	4197255	1	3.03
53	1011WD-69WD	left (comb. 247, 292)	4197256	1	3.03
53	1011WD-69WD	right (comb. 248)	4197257	1	3.03
53	1011WD-69WD	left (comb. 248)	4197258	1	3.03
53	1067D	right (comb. 265)	4193400	1	3.03
53	1067D	left (comb. 265)	4193401	1	3.03
53	1067D	right (comb. 266)	4193402	1	3.03
53	1067D	left (comb. 266)	4193403	1	3.03
53	1067	right (comb. 284)	4198057	1	3.03
53	1067	left (comb. 284)	4198058	1	3.03
53	1067	right (comb. 285)	4198059	1	3.03
53	1067	left (comb. 285)	4198060	1	3.03
53	1067	right (comb. 286)	4198061	1	3.03
53	1067	left (comb. 286)	4198062	1	3.03
53	1067	right (comb. 287)	4198063	1	3.03
53	1067	left (comb. 287)	4198064	1	3.03
53	1037D-67D	right (comb. 254, 264)	4193398	1	3.03

53	1037D-67D	left (comb. 254, 264)	4193399	1	3.03
53	1037D	right (comb. 256)	4198795	1	3.03
53	1037D	left (comb. 256)	4198798	1	3.03
53	1037D-67D	right (comb. 257, 267)	4193404	1	3.03
53	1037D-67D	left (comb. 257, 267)	4193405	1	3.03
53	1037D-67D	right (comb. 258, 268)	4193406	1	3.03
53	1037D-67D	left (comb. 258, 268)	4193407	1	3.03
53	1037D-67D	right (comb. 259, 269)	4190549	1	3.25
53	1037D-67D	left (comb. 259, 269)	4190550	1	3.25
53	1062-62F	right (comb. 278, 280)	4193245	1	3.03
53	1062-62F	left (comb. 278, 280)	4193246	1	3.03
53	Ser. 1200	unit (contains 1 R.H. and 1 L.H. rest)	986809	1	8.85
54	1011W-69W	right (comb. 304)	4200592	1	3.25
54	1011W-69W	left (comb. 304)	4200593	1	3.25
54	1011W-69W	right (comb. 305)	4200594	1	3.25
54	1011W-69W	left (comb. 305)	4200595	1	3.25
54	1011W-69W	right (comb. 306)	4200596	1	3.25
54	1011W-69W	left (comb. 306)	4200597	1	3.25
54	1011W-69W	right (comb. 307)	4200598	1	3.25
54	1011W-69W	left (comb. 307)	4200599	1	3.25
54	1011WA	right (comb. 332)	4209155	1	3.25
54	1011WA	left (comb. 332)	4209156	1	3.25
54	1011WA	right (comb. 333)	4209157	1	3.25
54	1011WA	left (comb. 333)	4209158	1	3.25
54	1011WA	right (comb. 334)	4209159	1	3.25
54	1011WA	left (comb. 334)	4209160	1	3.25
54	1011WD	right (comb. 309)	4200836	1	7.75
54	1011WD	left (comb. 309)	4200837	1	7.75
54	1011WD	right (comb. 310)	4200838	1	7.75
54	1011WD	left (comb. 310)	4200839	1	7.75
54	1011WD	right (comb. 311)	4200840	1	7.75
54	1011WD	left (comb. 311)	4200841	1	7.75
54	1011WD	right (comb. 331)	4208543	1	7.75
54	1011WD	left (comb. 331)	4208544	1	7.75
54	1011WD-37D-67D	right (comb. 318, 328, 330)	4200842	1	7.75
54	1011WD-37D-67D	left (comb. 318, 328, 330)	4200843	1	7.75
54	1069WD	right (comb. 309)	4200844	1	7.75
54	1069WD	left (comb. 309)	4200845	1	7.75
54	1069WD	right (comb. 310)	4200846	1	7.75
54	1069WD	left (comb. 310)	4200847	1	7.75
54	1069WD	right (comb. 311)	4200848	1	7.75
54	1069WD	left (comb. 311)	4200849	1	7.75
54	1069WD	right (comb. 330)	4200850	1	7.75
54	1069WD	left (comb. 330)	4200851	1	7.75
54	1069WD	right (comb. 331)	4208572	1	7.75
54	1069WD	left (comb. 331)	4208573	1	7.75
54	CONV., SPT. CPE	right (comb. 314, 327)	4201024	1	7.75
54	CONV., SPT. CPE	left (comb. 314, 327)	4201025	1	7.75
54	CONV., SPT. CPE	right (comb. 315, 328)	4201026	1	7.75
54	CONV., SPT. CPE	left (comb. 315, 328)	4201027	1	7.75
54	CONV., SPT. CPE	right (comb. 316, 325)	4201028	1	7.75
54	CONV., SPT. CPE	left (comb. 316, 325)	4201029	1	7.75
54	CONV., SPT. CPE	right (comb. 317, 337)	4201030	1	7.75
54	CONV., SPT. CPE	left (comb. 317, 337)	4201031	1	7.75
54	CONV., SPT. CPE	right (comb. 318, 329)	4202183	1	7.75
54	CONV., SPT. CPE	left (comb. 319, 329)	4202184	1	7.75
54	1062D-62F	right (comb. 323)	4201180	1	3.25
54	1062D-62F	left (comb. 323)	4201181	1	3.25
54	1062D-62F	right (comb. 324)	4201182	1	3.25
54	1062D-62F	left (comb. 324)	4201183	1	3.25
54	Ser. 1200 (exc. 1262F)	UNIT (consists of 1 R.H. and 1 L.H. rest)	986969	1	8.95
54	1262F	UNIT (consists of 1 R.H. and 1 L.H. rest)	986973	1	8.95
35-48	PASS. (exec. STA. WAG.)	SCREW, arm rest to support (No. 14 x 2 1/4 sheet metal)	179037	4	(8.977)
36-48	PASS. (exc. STA. WAG.)	SCREW, trim flap to arm rest	4090730	10	(10.724)
49-53	PASS.	SCREW, arm rest to door (No. 14-10 x 2 3/16)	447124	A.R.	.08
<b>14.688 MOULDING—COVER—CUP, Door Arm Rest</b>					
42-48	Ser. 1000,				
50-51	Ser. 1000		4125523	2	.38

49	Ser. 1000	COVER, right	4568607	A.R.	1.80
49	Ser. 1000	COVER, left	4568608	A.R.	1.80
54	1011WD-37D-67D-69WD	CUP, finishing—front and rear doors	4636027	A.R.	.75

**14.690 RETAINER, Door Arm Rest Trim**

39-48	PASS,				
50-51	Ser. 1000		4586318	A.R.	.33

**14.691 MOULDING—NUT—ESCUTCHEON, Front Door Trim Finish**

42-48	1007	upper and lower	4131834	4	1.58
41	1011-27-27B,				
42-48	1011-27-27B-1211-27-27B-27P	lower	4131877	2	1.58
42	1011-27-27B	upper	4131630	2	1.27
42-48	1019-1219	lower	4131876	2	1.27
42-48	1069	upper and lower	4131833	4	1.27
47-48	1019	right, upper	4161131	1	1.10
47-48	1019	left, upper	4161132	1	1.10
47-48	1011-27	right, upper	4161129	1	1.37
47-48	1011-27	left, upper	4161130	1	1.37
49-50	CONV., BEL AIR	lower	4558701	2	1.53
49	1008-69	right, upper	4565641	1	1.37
49	1008-69	left, upper	4565642	1	1.37
49	1007-11-27	right, upper	4566158	1	1.48
49	1007-11-27	left, upper	4566159	1	1.48
49	2-DOOR (exc. CONV., SDL),				
54	1011WA	lower	4566160	2	1.27
49	1008-69-1208-69,				
50	1008-69	lower	4566163	2	1.10
49-50	CONV., BEL AIR	right, upper	4566341	1	2.18
49-50	CONV., BEL AIR	left, upper	4566342	1	2.18
49-52	1062	lower	4567731	2	1.37
49	1061	lower	4567732	2	1.37
49-52	SDL	right, door opening finishing	4572280	1	6.18
49-52	SDL	left, door opening finishing	4572281	1	6.18
50	1008-69	right, center	4593042	1	1.48
50	1008-69	left, center	4593043	1	1.48
50	1008-69	right, upper	4593036	1	1.03
50	1008-69	left, upper	4593037	1	1.03
50	1007-11-27	right and left, lower	4581678	2	1.27
50	1007-11-27	right, upper	4593038	1	1.20
50	1007-11-27	left, upper	4593039	1	1.20
50	1007-11-27	right, center	4593040	1	1.48
50	1007-11-27	left, center	4593041	1	1.48
51-52	1007-11-27	right	4590420	1	2.13
51-52	1007-11-27	left	4590421	1	2.13
51-52	1008-69	right	4590418	1	1.92
51-52	1008-69	left	4590419	1	1.92
51-52	CONV., BEL AIR	right	4590549	1	1.75
51-52	CONV., BEL AIR	left	4590580	1	1.75
53	BEL AIR,				
54	1011W-11WA-62D-62F-69W	right—upper (21 $\frac{3}{16}$ dev. length)	4615659	1	1.25
53	BEL AIR,				
54	1011W-11WA-62D-62F-69W	left—upper (21 $\frac{3}{16}$ dev. length)	4615660	1	1.25
53	1011WD-37D-67D,				
54	1011W-11WA	right—center (40 $\frac{1}{2}$ dev. length)	4615663	1	1.40
53	1011WD-37D-67D,				
54	1011W-11WA	left—center (40 $\frac{1}{2}$ dev. length)	4615664	1	1.40
53	1011WD-37D-67D	lower (42 $\frac{3}{4}$ O.L.)	4615686	2	1.10
53	1011W-27-37-67-69W	right—front (14 $\frac{1}{4}$ O.L.)	4615674	1	1.65
53	1011W-27-37-67-69W	left—front (14 $\frac{1}{4}$ O.L.)	4615675	1	1.65
53	1011W-27-37-67	right—rear (37 $\frac{3}{4}$ dev. length)	4615657	1	1.60
53	1011W-27-37-67	left—rear (37 $\frac{3}{4}$ dev. length)	4615658	1	1.60
53	1069WD,				
54	1062D-62F-69W	right—center (33 $\frac{1}{16}$ dev. length)	4615661	1	1.25
53	1069WD,				
54	1062D-62F-69W	left—center (33 $\frac{1}{16}$ dev. length)	4615662	1	1.25
53	1069WD	lower (35 $\frac{1}{16}$ O.L.)	4615687	2	1.10
53	1069W	right—rear (30 $\frac{1}{16}$ dev. length)	4615655	1	1.45



53	1069W	left—rear (30 $\frac{1}{8}$ dev. length)	4615656	1	1.45
53	1062-62F	right—upper and center (29 $\frac{5}{8}$ dev. length)	4618492	1	1.15
53	1062-62F	left—upper and center (29 $\frac{5}{8}$ dev. length)	4618493	1	1.15
53-54	1062-62D-62F	lower and center (35 $\frac{1}{8}$ O.L.)	4623081	2	1.10
53-54	1062-62D-62F	lower	4623084	2	1.10
53-54	1062-62D-62F	door kick (35 $\frac{1}{8}$ O.L.)	4623055	2	2.45
53	SDL	right, door opening finish	4623264	1	2.78
53	SDL	left, door opening finish	4623265	1	2.78
54	1011WD-37D-67D	rear, upper right and lower left	4632328	2	1.35
54	1011WD-37D-67D	rear, upper left and lower right	4632329	2	1.35
54	1011WD-37D-67D-69WD	front, lower (12 $\frac{3}{8}$ O.L.)	4632312	2	.75
54	1011WD-37D-67D-69WD	front, upper (13 $\frac{5}{8}$ O.L.)	4632590	2	.75
54	1069WD	rear, upper right and lower left (21 $\frac{1}{8}$ dev. length)	4632330	2	1.25
54	1069WD	rear, upper left and lower right (21 $\frac{1}{8}$ dev. length)	4632331	2	1.25
54	SDL	right, door opening finish	4641039	1	2.75
54	SDL	left, door opening finish	4641040	1	2.75
54	1011WD-37D-67D-69WD	NUT, rear moulding ( $\frac{1}{2}$ x $\frac{1}{2}$ )	4631803	A.R.	.05
53	1062-62F				
54	1011WD-37D-67D-69WD	ESCUTCHEON, moulding	4618108	4	.60
53	BEL AIR				
54	1011W-11WA-62D-62F-69W	ESCUTCHEON, moulding	4615648	2	.50

#### 14.715 LACE, Door Edging Trim

49-52	1062	(comb 166, 202, 218)	4171739	8	.35
-------	------	----------------------	---------	---	-----

#### 14.730 TRIM ASSEMBLY, Body Center Pillar

49	1008-1208	right (comb. 156, 157) w/metal inner panel	4172948	1	2.88
49	1008-1208	left (comb. 156, 157) w/metal inner panel	4172949	1	2.88
49	1069-1269	right (comb. 156, 157) w/metal inner panel	4172950	1	2.88
49	1069-1269	left (comb. 156, 157) w/metal inner panel	4172951	1	2.88
49	1069	right (comb. 158) w/metal inner panel	4172952	1	2.88
49	1069	left (comb. 158) w/metal inner panel	4172953	1	2.88
50	1008-1208	right (comb. 170, 171) (w/metal inner panel)	4174228	1	2.88
50	1008-1208	left (comb. 170, 171) (w/metal inner panel)	4174229	1	2.88
50	1069-1269	right (comb. 170, 171) (w/metal inner panel)	4174256	1	2.88
50	1069-1269	left (comb. 170, 171) (w/metal inner panel)	4174257	1	2.88
51	1008-1208	right (comb. 200, 201)	4178531	1	3.17
51	1008-1208	left (comb. 200, 201)	4178532	1	3.17
51	1069-1269	right (comb. 200, 201)	4178604	1	3.17
51	1069-1269	left (comb. 200, 201)	4178605	1	3.17
52	1069	right (comb. 211)	4189232	1	2.88
52	1069	left (comb. 211)	4189233	1	2.88
52	1069	right (comb. 212)	4189765	1	2.88
52	1069	left (comb. 212)	4189766	1	2.88
52	1069	right (comb. 213)	4189279	1	2.88
52	1069	left (comb. 213)	4189280	1	2.88
52	1269	right (comb. 210)	4186535	1	2.88
52	1269	left (comb. 210)	4186536	1	2.88
53	1069W	right (comb. 241)	4192268	1	3.65
53	1069W	left (comb. 241)	4192269	1	3.65
53	1069W	right (comb. 242)	4192270	1	3.65
53	1069W	left (comb. 242)	4192271	1	3.65
53	1069W	right (comb. 243)	4192272	1	3.65
53	1069W	left (comb. 243)	4192273	1	3.65
53	1069W	right (comb. 244)	4192274	1	3.65
53	1069W	left (comb. 244)	4192275	1	3.65
53	1069WD	right (comb. 245, 291)	4192360	1	3.75
53	1069WD	left (comb. 245, 291)	4192361	1	3.75
53	1069WD	right (comb. 246)	4192362	1	3.75
53	1069WD	left (comb. 246)	4192363	1	3.75
53	1069WD	right (comb. 247, 292)	4192364	1	3.75
53	1069WD	left (comb. 247, 292)	4192365	1	3.75

53	1069WD	right (comb. 248)	4192366	1	3.75
53	1069WD	left (comb. 248)	4192367	1	3.75
53	1269	right (comb. 249)	4192494	1	3.50
53	1269	left (comb. 248)	4192495	1	3.50
54	1069W	right (comb. 304)	4200516	1	3.65
54	1069W	left (comb. 304)	4200517	1	3.65
54	1069W	right (comb. 305)	4200518	1	3.65
54	1069W	left (comb. 305)	4200519	1	3.65
54	1069W	right (comb. 306)	4200520	1	3.65
54	1069W	left (comb. 306)	4200521	1	3.65
54	1069W	right (comb. 307)	4200522	1	3.65
54	1069W	left (comb. 307)	4200523	1	3.65
54	1069WD	right (comb. 309)	4200768	1	3.95
54	1069WD	left (comb. 309)	4200769	1	3.95
54	1069WD	right (comb. 310)	4200770	1	3.95
54	1069WD	left (comb. 310)	4200771	1	3.95
54	1069WD	right (comb. 311)	4200772	1	3.95
54	1069WD	left (comb. 311)	4200773	1	3.95
54	1069WD	right (comb. 330)	4200774	1	3.95
54	1069WD	left (comb. 330)	4200775	1	3.95
54	1069WD	right (comb. 331)	4208563	1	3.95
54	1069WD	left (comb. 331)	4208564	1	3.95
54	1269W	right (comb. 300)	4201088	1	3.50
54	1269W	left (comb. 300)	4201089	1	3.50
50-54	1008-69-1208-69-69W	FASTENER, trim stud.	4558951	16	.03

**14.730 WEATHERCORD ASSEMBLY, Body Lock Filler**

49-52	CONV., BEL AIR	right (comb. 161, 177, 187, 197, 207, 227, 237)	4185893	1	2.25
49-52	CONV., BEL AIR	left (comb. 161, 177, 187, 197, 207, 227, 237)	4185894	1	2.25
49-52	CONV., BEL AIR	right (comb. 162, 176, 186, 196, 206, 226, 236)	4185963	1	2.25
49-52	CONV., BEL AIR	left (comb. 162, 176, 186, 196, 206, 226, 236)	4185964	1	2.25
49-52	CONV., BEL AIR	right (comb. 167, 179, 189, 199, 209, 229, 239)	4186311	1	2.25
49-52	CONV., BEL AIR	left (comb. 167, 179, 189, 199, 209, 229, 239)	4186312	1	2.25
49	PASS. (exc. CONV., STA. WAG., SDL)	right (comb. 156, 157)	4171848	A.R. (14.665)	
49	PASS. (exc. CONV., STA. WAG., SDL)	left (comb. 156, 157)	4171849	A.R. (14.665)	
49	1007-08-11-27-69	right (comb. 158)	4171850	A.R. (14.665)	
49	1007-08-11-27-69	left (comb. 158)	4171851	A.R. (14.665)	
49-52	SDL	right (comb. 163, 216)	4186298	A.R. (14.665)	
49-52	SDL	left (comb. 163, 216)	4186299	A.R. (14.665)	
50-51	PASS. (exc. CONV., B-A, STA. WAG., SDL)	right (comb. 170, 171, 200, 201)	4178896	A.R. (14.665)	
50-51	PASS. (exc. CONV., B-A, STA. WAG., SDL)	left (comb. 170, 171, 200, 201)	4178897	A.R. (14.665)	
52	CONV., BEL AIR	right (comb. 224, 234)	4189471	1	2.25
52	CONV., BEL AIR	left (comb. 224, 234)	4189472	1	2.25
52	CONV., BEL AIR	right (comb. 225, 235)	4189507	1	2.25
52	CONV., BEL AIR	left (comb. 225, 235)	4189508	1	2.25
52	BEL AIR	right (comb. 240)	4190313	1	2.25
52	BEL AIR	left (comb. 240)	4190314	1	2.25
52	1007-11-27-69-1211-27-27B-69	right (comb. 210, 211)	4189099	A.R. (14.665)	
52	1007-11-27-69-1211-27-27B-69	left (comb. 210, 211)	4189100	A.R. (14.665)	
52	1007-11-27-69	right (comb. 212)	4189761	A.R. (14.665)	
52	1007-11-27-69	right (comb. 213)	4189153	A.R. (14.665)	
52	1007-11-27-69	left (comb. 213)	4189154	A.R. (14.665)	
53	1067D	right (comb. 265)	4197571	1	2.25
53	1067D	left (comb. 265)	4197572	1	2.25
53	1067	right (comb. 284)	4198001	1	2.25
53	1067	left (comb. 284)	4198002	1	2.25
53	1067	right (comb. 285)	4198003	1	2.25
53	1067	left (comb. 285)	4198004	1	2.25
53	1067	right (comb. 286)	4198005	1	2.25
53	1067	left (comb. 286)	4198006	1	2.25

53	1067	right (comb. 287)	4198007	1	2.25
53	1067	left (comb. 287)	4198008	1	2.25
53	1037	right (comb. 241)	4198156	1	2.25
53	1037	left (comb. 241)	4198157	1	2.25
53	1037	right (comb. 242)	4198158	1	2.25
53	1037	left (comb. 242)	4198159	1	2.25
53	1037	right (comb. 243)	4198160	1	2.25
53	1037	left (comb. 243)	4198161	1	2.25
53	1037	right (comb. 244)	4198162	1	2.25
53	1037	left (comb. 244)	4198163	1	2.25
53	1037D-67D	right (comb. 254, 264)	4193314	1	2.25
53	1037D-67D	left (comb. Nos. 254, 264)	4193315	1	2.25
53	1037D-67D	right (comb. Nos. 256, 266)	4193318	1	2.25
53	1037D-67D	left (comb. Nos. 256, 266)	4193319	1	2.25
53	1037D-67D	right (comb. 257, 267)	4193320	1	2.25
53	1037D-67D	left (comb. 257, 267)	4193321	1	2.25
53	1037D-67D	right (comb. 258, 268)	4193322	1	2.25
53	1037D-67D	left (comb. 258, 268)	4193323	1	2.25
53	1037D-67D	right (comb. 259, 269)	4193324	1	2.25
53	1037D-67D	left (comb. 259, 269)	4193325	1	2.25
54	CONV., SPT. CPE.	right (comb. 314, 327)	4200980	1	2.25
54	CONV., SPT. CPE.	left (comb. 314, 327)	4200981	1	2.25
54	CONV., SPT. CPE.	right (comb. 315, 326)	4200982	1	2.25
54	CONV., SPT. CPE.	left (comb. 315, 326)	4200983	1	2.25
54	CONV., SPT. CPE.	right (comb. 316, 325)	4200984	1	2.25
54	CONV., SPT. CPE.	left (comb. 316, 325)	4200985	1	2.25
54	CONV., SPT. CPE.	right (comb. 317, 337)	4200986	1	2.25
54	CONV., SPT. CPE.	left (comb. 317, 337)	4200987	1	2.25
54	CONV., SPT. CPE.	right (comb. 318, 328)	4202144	1	2.25
54	CONV., SPT. CPE.	left (comb. 318, 328)	4202145	1	2.25
54	CONV., SPT. CPE.	right (comb. 319, 329)	4202172	1	2.25
54	CONV., SPT. CPE.	left (comb. 319, 329)	4202173	1	2.25

#### 14.740 RETAINER, Rear Body Lock Pillar Trim

49-52	4-DOOR PASS.	right, w/cord (at wheelhouse)	4563504	1	.50
49-52	4-DOOR PASS.	left, w/cord (at wheelhouse)	4563505	1	.50
53-54	1069-1269-69W	right (at wheelhouse)	4602049	1	.60
53-54	1069-1269-69W	left (at wheelhouse)	4602050	1	.60

#### 14.760 PAD ASSEMBLY, Rear Door Lower Trim

46-48	STA. WAG.	right	3847236	1	13.85
47	1019	left (comb. 130) (w/moulding)	4161602	1	13.27
47	1069	right (comb. 132) (w/moulding)	4161571	1	14.43
48	1019	right (comb. 151) (w/moulding)	4163307	1	13.27
48	1069	right (comb. 153) (w/moulding)	4164766	1	14.43
49	1208	right (comb. 156) (w/moulding)	4170622	1	13.27
49	1208	left (comb. 156) (w/moulding)	4170623	1	13.27
49	1008-69	right (comb. 157) (w/moulding)	4170696	1	13.27
49	1008-69	left (comb. 157) (w/moulding)	4170697	1	13.27
49	1008-69	right (comb. 158) (w/moulding)	4170698	1	13.27
49	1008-69	left (comb. 158) (w/moulding)	4170699	1	13.27
49	1269	right (comb. 156) (w/moulding)	4170708	1	13.27
49	1269	left (comb. 156) (w/moulding)	4170709	1	13.27
49-52	1062	right (wood)	4563038	1	15.00
49-52	1062	left (wood)	4563039	1	15.00
50	1008	left (comb. 171)	4174237	1	15.58
50	1069	right (comb. 171)	4174258	1	15.58
50	1069	left (comb. 171)	4174259	1	15.58
50	1208	right (comb. 170)	4174304	1	13.27
50	1269	right (comb. 170)	4174315	1	13.27
50	1269	left (comb. 170)	4174316	1	13.27
51	1008	right (comb. 201)	4178536	1	15.58
51	1008	left (comb. 201)	4178537	1	15.58
51	1069	right (comb. 201)	4178609	1	15.58
51	1069	left (comb. 201)	4178610	1	15.58
51	1269	right (comb. 200)	4178730	1	13.27
51	1269	left (comb. 200)	4178731	1	13.27
52	1069	right (comb. 211)	4189239	1	15.58

53	1067	right (comb. 287)	4198007	1	2.25
53	1067	left (comb. 287)	4198008	1	2.25
53	1037	right (comb. 241)	4198156	1	2.25
53	1037	left (comb. 241)	4198157	1	2.25
53	1037	right (comb. 242)	4198158	1	2.25
53	1037	left (comb. 242)	4198159	1	2.25
53	1037	right (comb. 243)	4198160	1	2.25
53	1037	left (comb. 243)	4198161	1	2.25
53	1037	right (comb. 244)	4198162	1	2.25
53	1037	left (comb. 244)	4198163	1	2.25
53	1037D-67D	right (comb. 254, 264)	4193314	1	2.25
53	1037D-67D	left (comb. Nos. 254, 264)	4193315	1	2.25
53	1037D-67D	right (comb. Nos. 258, 268)	4193318	1	2.25
53	1037D-67D	left (comb. Nos. 258, 268)	4193319	1	2.25
53	1037D-67D	right (comb. 257, 267)	4193320	1	2.25
53	1037D-67D	left (comb. 257, 267)	4193321	1	2.25
53	1037D-67D	right (comb. 258, 268)	4193322	1	2.25
53	1037D-67D	left (comb. 258, 268)	4193323	1	2.25
53	1037D-67D	right (comb. 259, 269)	4193324	1	2.25
53	1037D-67D	left (comb. 259, 269)	4193325	1	2.25
54	CONV., SPT. CPE.	right (comb. 314, 327)	4200980	1	2.25
54	CONV., SPT. CPE.	left (comb. 314, 327)	4200981	1	2.25
54	CONV., SPT. CPE.	right (comb. 315, 326)	4200982	1	2.25
54	CONV., SPT. CPE.	left (comb. 315, 326)	4200983	1	2.25
54	CONV., SPT. CPE.	right (comb. 316, 325)	4200984	1	2.25
54	CONV., SPT. CPE.	left (comb. 316, 325)	4200985	1	2.25
54	CONV., SPT. CPE.	right (comb. 317, 337)	4200986	1	2.25
54	CONV., SPT. CPE.	left (comb. 317, 337)	4200987	1	2.25
54	CONV., SPT. CPE.	right (comb. 318, 328)	4202144	1	2.25
54	CONV., SPT. CPE.	left (comb. 318, 328)	4202145	1	2.25
54	CONV., SPT. CPE.	right (comb. 319, 329)	4202172	1	2.25
54	CONV., SPT. CPE.	left (comb. 319, 329)	4202173	1	2.25

#### 14.740 RETAINER, Rear Body Lock Pillar Trim

49-52	4-DOOR PASS.	right, w/cord (at wheelhouse)	4563504	1	.50
49-52	4-DOOR PASS.	left, w/cord (at wheelhouse)	4563505	1	.50
53-54	1069-1269-69W	right (at wheelhouse)	4602049	1	.60
53-54	1069-1269-69W	left (at wheelhouse)	4602050	1	.60

#### 14.760 PAD ASSEMBLY, Rear Door Lower Trim

46-48	STA. WAG.	right	3847236	1	13.85
47	1019	left (comb. 130) (w/moulding)	4161602	1	13.27
47	1069	right (comb. 132) (w/moulding)	4161571	1	14.43
48	1019	right (comb. 151) (w/moulding)	4163307	1	13.27
48	1069	right (comb. 153) (w/moulding)	4164766	1	14.43
49	1208	right (comb. 156) (w/moulding)	4170622	1	13.27
49	1208	left (comb. 156) (w/moulding)	4170623	1	13.27
49	1008-69	right (comb. 157) (w/moulding)	4170696	1	13.27
49	1008-69	left (comb. 157) (w/moulding)	4170697	1	13.27
49	1008-69	right (comb. 158) (w/moulding)	4170698	1	13.27
49	1008-69	left (comb. 158) (w/moulding)	4170699	1	13.27
49	1269	right (comb. 156) (w/moulding)	4170708	1	13.27
49	1269	left (comb. 156) (w/moulding)	4170709	1	13.27
49-52	1062	right (wood)	4563038	1	15.00
49-52	1062	left (wood)	4563039	1	15.00
50	1008	left (comb. 171)	4174237	1	15.58
50	1069	right (comb. 171)	4174258	1	15.58
50	1069	left (comb. 171)	4174259	1	15.58
50	1208	right (comb. 170)	4174304	1	13.27
50	1269	right (comb. 170)	4174315	1	13.27
50	1269	left (comb. 170)	4174316	1	13.27
51	1008	right (comb. 201)	4178536	1	15.58
51	1008	left (comb. 201)	4178537	1	15.58
51	1069	right (comb. 201)	4178609	1	15.58
51	1069	left (comb. 201)	4178610	1	15.58
51	1269	right (comb. 200)	4178730	1	13.27
51	1269	left (comb. 200)	4178731	1	13.27
52	1069	right (comb. 211)	4189239	1	15.58



52	1069	left (comb. 211)	4189240	1	15.58
52	1069	right (comb. 212)	4189262	1	15.58
52	1069	left (comb. 212)	4189263	1	15.58
52	1069	right (comb. 213)	4189286	1	15.58
52	1069	left (comb. 213)	4189287	1	15.58
52	1269	right (comb. 210)	4186543	1	13.27
52	1269	left (comb. 210)	4186544	1	13.27
52	1269 (TAXICAB)	right (comb. 214)	4190433	1	12.70
52	1269 (TAXICAB)	left (comb. 214)	4190434	1	12.70
53	1069W	right (comb. 241)	4192296	1	15.58
53	1069W	left (comb. 241)	4192297	1	15.58
53	1069W	right (comb. 242)	4192298	1	15.58
53	1069W	left (comb. 242)	4192299	1	15.58
53	1069W	right (comb. 243)	4192300	1	15.58
53	1069W	left (comb. 243)	4192301	1	15.58
53	1069W	right (comb. 244)	4192302	1	15.58
53	1069W	left (comb. 244)	4192303	1	15.58
53	1069W (TAXICAB)	right (comb. 290)	4200410	1	14.50
53	1069W (TAXICAB)	left (comb. 290)	4200411	1	14.50
53	1069WD	right (comb. 245, 291)	4192388	1	17.20
53	1069WD	left (comb. 245, 291)	4192389	1	17.20
53	1069WD	right (comb. 246)	4192390	1	17.20
53	1069WD	left (comb. 246)	4192391	1	17.20
53	1069WD	right (comb. 247, 292)	4192392	1	17.20
53	1069WD	left (comb. 247, 292)	4192393	1	17.20
53	1069WD	right (comb. 248)	4192394	1	17.20
53	1069WD	left (comb. 248)	4192395	1	17.20
53	1269	right (comb. 249)	4192502	1	13.27
53	1269	left (comb. 249)	4192503	1	13.27
53	1269 (TAXICAB)	right (comb. 290)	4200408	1	12.50
53	1269 (TAXICAB)	left (comb. 290)	4200409	1	12.50
53	1062-62F	right (comb. 278)	4197548	1	17.20
53	1062-62F	left (comb. 278)	4197549	1	17.20
53	1062-62F	right (comb. 280)	4197546	1	17.20
53	1062-62F	left (comb. 280)	4197547	1	17.20
53	1262F	right (comb. 277)	4197157	1	13.60
53	1262F	left (comb. 277)	4197158	1	13.60
54	1069W	right (comb. 304)	4200600	1	15.75
54	1069W	left (comb. 304)	4200601	1	15.75
54	1069W	right (comb. 305)	4200602	1	15.75
54	1069W	left (comb. 305)	4200603	1	15.75
54	1069W	right (comb. 306)	4200604	1	15.75
54	1069W	left (comb. 306)	4200605	1	15.75
54	1069W	right (comb. 307)	4200606	1	15.75
54	1069W	left (comb. 307)	4200607	1	15.75
54	1069WD	right (comb. 309)	4200852	1	17.20
54	1069WD	left (comb. 309)	4200853	1	17.20
54	1069WD	right (comb. 310)	4200854	1	17.20
54	1069WD	left (comb. 310)	4200855	1	17.20
54	1069WD	right (comb. 311)	4200856	1	17.20
54	1069WD	left (comb. 311)	4200857	1	17.20
54	1069WD	right (comb. 330)	4200858	1	17.20
54	1069WD	left (comb. 330)	4200859	1	17.20
54	1069WD	right (comb. 331)	4208574	1	17.20
54	1069WD	left (comb. 331)	4208575	1	17.20
54	1269W	right (comb. 300)	4201106	1	13.30
54	1269W	left (comb. 300)	4201107	1	13.30
54	1062D-62F	right (comb. 323)	4201184	1	17.20
54	1062D-62F	left (comb. 323)	4201185	1	17.20
54	1062D-62F	right (comb. 324)	4201186	1	17.20
54	1062D-62F	left (comb. 324)	4201187	1	17.20
54	1262F	right (comb. 322)	4201250	1	13.60
54	1262F	left (comb. 322)	4201251	1	13.60
36-51	PASS. (exc. STA. WAG.)	TAB, trim	4081772	A.R.	(10.357)

**14.762 REST ASSEMBLY, Rear Door Arm--Trimmed**

53	1069WD	right (comb. 245, 291)	4197251	1	(14.686)
53	1069WD	left (comb. 245, 291)	4197252	1	(14.686)
53	1069WD	right (comb. 246)	4197253	1	(14.686)

53	1069WD	left (comb. 246)	4197254	1	(14.686)
53	1069WD	right (comb. 247, 292)	4197255	1	(14.686)
53	1069WD	right (comb. 248)	4197257	1	(14.686)
53	1069WD	left (comb. 248)	4197258	1	(14.686)
54	1069WD	right (comb. 309)	4200860	1	7.75
54	1069WD	left (comb. 309)	4200861	1	7.75
54	1069WD	right (comb. 310)	4200862	1	7.75
54	1069WD	left (comb. 310)	4200863	1	7.75
54	1069WD	right (comb. 311)	4200864	1	7.75
54	1069WD	left (comb. 311)	4200865	1	7.75
54	1069WD	right (comb. 330)	4200866	1	7.75
54	1069WD	left (comb. 330)	4200867	1	7.75
54	1069WD	right (comb. 331)	4208576	1	7.75
54	1069WD	left (comb. 331)	4208577	1	7.75

**14.764 MOULDING, Rear Door Trim Finish**

42-46	421019, 461019-1219	lower	4131835	2	.93
47-48	1019	upper, right	4161135	1	1.10
47-48	1019	upper, left	4161136	1	1.10
47-48	1019-1219	lower	4161133	2	.93
42-48	1069	lower	4161134	2	.93
47-48	1069	upper	4161137	2	.93
49	1008-69	upper	4567329	2	1.10
49	1008-69-1208-69,				
50-52	1008-69	lower	4567600	2	.93
49-52	1062	lower	4567734	2	1.27
50	1008-69	center, right	4593044	1	1.37
50	1008-69	center, left	4593045	1	1.37
50	1069	upper, right	4593032	1	1.03
50	1069	upper, left	4593033	1	1.03
50	1008	upper, right	4593034	1	1.03
50	1008	upper, left	4593035	1	1.03
53	1069WD	lower (24 $\frac{1}{8}$ O.L.)	4558996	2	.93
53-54	1069WD	upper (11 $\frac{1}{8}$ O.L.)	4590503	2	.91
53	1069W,				
54	1011WD-69WD	(29 $\frac{1}{8}$ O.L.)	4615685	2	.95
53-54	1062-62D-62F	lower and center (24 $\frac{1}{8}$ O.L.)	4558723	2	1.09
53	1062-62F	right, upper and center (25 $\frac{3}{4}$ dev. length)	4618484	1	1.15
53	1062-62F	left, upper and center (25 $\frac{3}{4}$ dev. length)	4618495	1	1.15
53-54	1062-62D-62F	lower (22 $\frac{3}{8}$ O.L.)	4623085	2	.95
53-54	1062-62D-62F	right, door kick (24 $\frac{1}{8}$ O.L.)	4623088	1	1.72
53-54	1062-62D-62F	left, door kick (24 $\frac{1}{8}$ O.L.)	4623089	1	1.72
54	1069WD	lower	4632586	2	.95
54	1062D-62F	upper	4635611	2	1.25

**14.799 CUSHION, Front Seat Back**

42-47	1211-27B-27P	left (comb. 129)	4133244	1	29.65
42-47	1007	right (comb. 132)	4134022	1	39.48
42-47	1011-27B	right (comb. 130)	4133239	1	26.89
42-47	1011-27B	left (comb. 130)	4133240	1	26.89
42-47	1019	(comb. 130)	4133245	1	49.78
42-47	1219	(comb. 129)	4133247	1	47.49
42-47	1227	right (comb. 129)	4133333	1	26.89
48	1011	right (comb. 151)	4163198	1	28.32
48	1011	left (comb. 151)	4163199	1	28.32
48	1019	(comb. 151)	4163264	1	49.78
48	1211-27B	left (comb. 150)	4163336	1	26.89
48	1007	right (comb. 153)	4163875	1	30.89
48	1007	left (comb. 153)	4163876	1	30.89
49	1007-11-27	right (comb. 157)	4170492	1	37.20
49	1007-11-27	right (comb. 158)	4170494	1	37.20
49	1007-11-27	left (comb. 158)	4170495	1	37.20
49	1207-11-27-27B	right (comb. 156)	4170551	1	34.91
49	1207-11-27-27B	left (comb. 156)	4170552	1	34.91
49	1008-69	(comb. 157)	4170570	1	60.08
49	1208-69	(comb. 156)	4170614	1	55.51
50	1007-11-27	right (comb. 171)	4174174	1	37.20

50	1007-11-27	left (comb. 171)	4174175	1	37.20
50	1207-11-27-27B	right (comb. 170)	4174270	1	34.91
50	1207-11-27-27B	left (comb. 170)	4174271	1	34.91
50	1008-69	(comb. 171)	4174241	1	60.08
50	1208-69	(comb. 170)	4174309	1	55.51
51	1007-11-27	right (comb. 201)	4178515	1	41.77
51	1007-11-27	left (comb. 201)	4178516	1	41.77
51	1207-11-27-27B	right (comb. 200)	4178634	1	39.18
51	1207-11-27-27B	left (comb. 200)	4178635	1	39.18
51	1008-69	(comb. 201)	4178539	1	67.23
51	1208-69	(comb. 200)	4178657	1	62.65
52	1007-11-27	right (comb. 211)	4189112	1	37.20
52	1007-11-27	left (comb. 211)	4189113	1	37.20
52	1007-11-27	right (comb. 212)	4189139	1	37.20
52	1007-11-27	left (comb. 212)	4189140	1	37.20
52	1007-11-27	right (comb. 213)	4189167	1	37.20
52	1007-11-27	left (comb. 213)	4189168	1	37.20
52	1211-27-27B	right (comb. 210)	4186495	1	34.91
52	1211-27-27B	left (comb. 210)	4186496	1	34.91
52	1069	(comb. 211)	4189244	1	60.08
52	1069	(comb. 212)	4189267	1	60.08
52	1069	(comb. 213)	4189291	1	60.08
52	1269	(comb. 210)	4186548	1	62.65
53	1011W	right (comb. 241)	4191960	1	39.00
53	1011W	left (comb. 241)	4191961	1	39.00
53	1011W	right (comb. 242)	4191962	1	39.00
53	1011W	left (comb. 242)	4191963	1	39.00
53	1011W	right (comb. 243)	4191964	1	39.00
53	1011W	left (comb. 243)	4191965	1	39.00
53	1011W	right (comb. 244)	4191966	1	39.00
53	1011W	left (comb. 244)	4191967	1	39.00
53	1011WD	right (comb. 245)	4192068	1	43.60
53	1011WD	left (comb. 245)	4192069	1	43.60
53	1011WD	right (comb. 246)	4192070	1	43.60
53	1011WD	left (comb. 246)	4192071	1	43.60
53	1011WD	right (comb. 247)	4192072	1	43.60
53	1011WD	left (comb. 247)	4192073	1	43.60
53	1011WD	right (comb. 248)	4192074	1	43.60
53	1011WD	left (comb. 248)	4192075	1	43.60
53	1211-27	right (comb. 249)	4192455	1	36.50
53	1211-27	left (comb. 249)	4192456	1	36.50
53	1027-37	right (comb. 241)	4191880	1	39.00
53	1027-37	left (comb. 241)	4191881	1	39.00
53	1027-37	right (comb. 242)	4191882	1	39.00
53	1027-37	left (comb. 242)	4191883	1	39.00
53	1027-37	right (comb. 243)	4191884	1	39.00
53	1027-37	left (comb. 243)	4191885	1	39.00
53	1027-37	right (comb. 244)	4191886	1	39.00
53	1027-37	left (comb. 244)	4191887	1	39.00
53	1227B	right (comb. 249)	4191888	1	36.50
53	1227B	left (comb. 249)	4191889	1	36.50
53	1069W	(comb. 241)	4192316	1	63.70
53	1069W	(comb. 242)	4192317	1	63.70
53	1069W	(comb. 243)	4192318	1	63.70
53	1069W	(comb. 244)	4192319	1	63.70
53	1069WD	(comb. 245)	4192408	1	76.90
53	1069WD	(comb. 246)	4192409	1	76.90
53	1069WD	(comb. 247)	4192410	1	76.90
53	1069WD	(comb. 248)	4192411	1	76.90
53	1269	(comb. 249)	4192507	1	62.65
54	1011W	right (comb. 304)	4200636	1	39.95
54	1011W	left (comb. 304)	4200637	1	39.95
54	1011W	right (comb. 305)	4200638	1	39.95
54	1011W	left (comb. 305)	4200639	1	39.95
54	1011W	right (comb. 306)	4200640	1	39.95
54	1011W	left (comb. 306)	4200641	1	39.95
54	1011W	right (comb. 307)	4200642	1	39.95
54	1011W	left (comb. 307)	4200643	1	39.95

54	1011WA	right (comb. 332)	4209171	1	55.25
54	1011WA	left (comb. 332)	4209172	1	55.25
54	1011WA	right (comb. 333)	4209173	1	55.25
54	1011WA	left (comb. 333)	4209174	1	55.25
54	1011WA	right (comb. 334)	4209175	1	55.25
54	1011WA	left (comb. 334)	4209176	1	55.25
54	1011WD	right (comb. 309)	4200892	1	44.45
54	1011WD	left (comb. 309)	4200893	1	44.45
54	1011WD	right (comb. 310)	4200894	1	44.45
54	1011WD	left (comb. 310)	4200895	1	44.45
54	1011WD	right (comb. 311)	4200896	1	44.45
54	1011WD	left (comb. 311)	4200897	1	44.45
54	1011WD	right (comb. 330)	4200898	1	44.45
54	1011WD	left (comb. 330)	4200899	1	44.45
54	1011WD	right (comb. 331)	4208549	1	44.45
54	1011WD	left (comb. 331)	4208550	1	44.45
54	1211W	right (comb. 300)	4201115	1	39.95
54	1211W	left (comb. 300)	4201116	1	39.95
54	1211WB	right (comb. 300)	4201117	1	39.95
54	1211WB	left (comb. 300)	4201118	1	39.95
54	1069W	(comb. 304)	4200652	1	63.70
54	1069W	(comb. 305)	4200653	1	63.70
54	1069W	(comb. 306)	4200654	1	63.70
54	1069W	(comb. 307)	4200655	1	63.70
54	1069WD	(comb. 309)	4200900	1	76.90
54	1069WD	(comb. 310)	4200901	1	76.90
54	1069WD	(comb. 311)	4200902	1	76.90
54	1069WD	(comb. 330)	4200903	1	76.90
54	1069WD	(comb. 331)	4208581	1	76.90
54	1269W	(comb. 300)	4201119	1	62.65
54	CONV.	right (comb. 325)	4201354	1	56.50
54	CONV.	left (comb. 325)	4201355	1	56.50
54	CONV.	right (comb. 326)	4201356	1	56.50
54	CONV.	left (comb. 326)	4201357	1	56.50
54	CONV.	right (comb. 327)	4201358	1	56.50
54	CONV.	left (comb. 327)	4201359	1	56.50
54	CONV.	right (comb. 328)	4202220	1	56.50
54	CONV.	left (comb. 328)	4202221	1	56.50
54	CONV.	right (comb. 329)	4202251	1	56.50
54	CONV.	left (comb. 329)	4202252	1	56.50
54	CONV.	right (comb. 337)	4201352	1	56.50
54	CONV.	left (comb. 337)	4201353	1	56.50
54	SPT. CPE.	right (comb. 314)	4201044	1	46.50
54	SPT. CPE.	left (comb. 314)	4201045	1	46.50
54	SPT. CPE.	right (comb. 315)	4201046	1	46.50
54	SPT. CPE.	left (comb. 315)	4201047	1	46.50
54	SPT. CPE.	right (comb. 316)	4201048	1	46.50
54	SPT. CPE.	left (comb. 316)	4201049	1	46.50
54	SPT. CPE.	right (comb. 317)	4201050	1	46.50
54	SPT. CPE.	left (comb. 317)	4201051	1	46.50
54	SPT. CPE.	right (comb. 318)	4202160	1	46.50
54	SPT. CPE.	left (comb. 318)	4202161	1	46.50
54	SPT. CPE.	right (comb. 319)	4202188	1	46.50
54	SPT. CPE.	left (comb. 319)	4202189	1	46.50
54	1062D-62F	(comb. 323)	4201198	1	67.50
54	1062D-62F	(comb. 324)	4201199	1	67.50
54	1262F	(comb. 322)	4201255	1	65.00

**14.800 TRIM ASSEMBLY, Front of Front Seat Back**

42-47	1069	(comb. 132)	4134051	1	13.85
42-47	1211-27B-27P	left (comb. 129)	4133257	1	11.55
42-47	1227	right (comb. 129)	4133327	1	12.70
42-47	1007	right (comb. 132)	4134034	1	13.85
42-47	1219	(comb. 129)	4133260	1	17.32
46	1219	(comb. 142)			
42-47	1019	(comb. 130)	4147177	1	23.08
48	1011	right (comb. 151)	4163202	1	12.70
48	1011	left (comb. 151)	4163203	1	12.70
48	1019	(comb. 151)	4163266	1	23.08



48	1211-27B	right (comb. 150)	4163338	1	11.55
48	1211-27B	left (comb. 150)	4163339	1	11.55
48	1007	right (comb. 153)	4163877	1	13.85
48	1007	left (comb. 153)	4163878	1	13.85
49	1007-11-27	right (comb. 157)	4170496	1	13.85
49	1007-11-27	left (comb. 157)	4170497	1	13.85
49	1007-11-27	right (comb. 158)	4170498	1	13.85
49	1007-11-27	left (comb. 158)	4170499	1	13.85
49	1207-11-27-27B	right (comb. 158)	4170553	1	11.55
49	1207-11-27-27B	left (comb. 156)	4170554	1	11.55
49	1008-69	(comb. 157)	4170572	1	23.08
49	1008-69	(comb. 158)	4170573	1	23.08
49	1208-69	(comb. 156)	4170615	1	19.62
49	CONV.	left (comb. 161)	4171003	1	25.97
50	1007-11-27	right (comb. 171)	4174176	1	13.85
50	1007-11-27	left (comb. 171)	4174177	1	13.85
50	1008-69	(comb. 171)	4174242	1	23.08
50	1207-11-27-27B	right (comb. 170)	4174272	1	11.55
50	1207-11-27-27B	left (comb. 170)	4174273	1	11.55
50	1208-69	(comb. 170)	4174310	1	19.62
50	CONV., BEL AIR	right (comb. 175, 185)	4174918	1	25.97
50	CONV., BEL AIR	left (comb. 175, 185)	4174919	1	25.97
50	CONV., BEL AIR	right (comb. 177, 187)	4174920	1	25.97
50	CONV., BEL AIR	left (comb. 177, 187)	4174921	1	25.97
50	CONV., BEL AIR	right (comb. 176, 186)	4174922	1	25.97
50	CONV., BEL AIR	left (comb. 176, 186)	4174923	1	25.97
50	CONV., BEL AIR	right (comb. 179, 189)	4174924	1	25.97
50	CONV., BEL AIR	left (comb. 179, 189)	4174925	1	25.97
51	1007-11-27	right (comb. 201)	4178517	1	14.43
51	1007-11-27	left (comb. 201)	4178518	1	14.43
51	1207-11-27-27B	right (comb. 200)	4178636	1	11.55
51	1207-11-27-27B	left (comb. 200)	4178637	1	11.55
51	1008-69	(comb. 201)	4178540	1	24.23
51	1208-69	(comb. 200)	4178658	1	19.62
51	CONV.	right (comb. 208)	4179982	1	28.57
51	CONV.	left (comb. 208)	4179983	1	28.57
51	CONV.	right (comb. 206)	4179938	1	28.57
51	CONV.	left (comb. 208)	4179939	1	28.57
51	CONV.	left (comb. 207)	4179961	1	28.57
51	CONV.	right (comb. 209)	4179916	1	28.57
51	CONV.	left (comb. 209)	4179917	1	28.57
51	BEL AIR	right (comb. 185)	4181063	1	25.97
51	BEL AIR	left (comb. 185)	4181064	1	25.97
51	BEL AIR	right (comb. 186)	4181023	1	25.97
51	BEL AIR	left (comb. 186)	4181024	1	25.97
51	BEL AIR	right (comb. 187)	4181043	1	25.97
51	BEL AIR	left (comb. 187)	4181044	1	25.97
51	BEL AIR	right (comb. 189)	4181003	1	25.97
51	BEL AIR	left (comb. 189)	4181004	1	25.97
51-52	STA. WAG.	(comb. 202, 218)	4181074	1	16.17
52	1007-11-27	right (comb. 211)	4189114	1	13.85
52	1007-11-27	left (comb. 211)	4189115	1	13.85
52	1007-11-27	right (comb. 212)	4189141	1	13.85
52	1007-11-27	left (comb. 212)	4189142	1	13.85
52	1007-11-27	right (comb. 213)	4189169	1	13.85
52	1007-11-27	left (comb. 213)	4189170	1	13.85
52	1069	(comb. 211)	4189245	1	23.08
52	1069	(comb. 212)	4189268	1	23.08
52	1069	(comb. 213)	4189292	1	23.08
52	1211-27-27B	right (comb. 210)	4186497	1	11.55
52	1211-27-27B	left (comb. 210)	4186498	1	11.55
52	1269	(comb. 210)	4186549	1	19.62
52	CONV.	right (comb. 224)	4189493	1	25.97
52	CONV.	left (comb. 224)	4189494	1	25.97
52	CONV.	right (comb. 225)	4189529	1	25.97
52	CONV.	left (comb. 225)	4189530	1	25.97
52	CONV.	right (comb. 226)	4189546	1	25.97
52	CONV.	left (comb. 226)	4189547	1	25.97

52	CONV.	right (comb. 227)	4189601	1	25.97
52	CONV.	left (comb. 227)	4189602	1	25.97
52	CONV.	right (comb. 229)	4189637	1	25.97
52	CONV.	left (comb. 229)	4189638	1	25.97
52	BEL AIR	right (comb. 234)	4189456	1	25.97
52	BEL AIR	left (comb. 234)	4189457	1	25.97
52	BEL AIR	right (comb. 235)	4189322	1	25.97
52	BEL AIR	left (comb. 235)	4189323	1	25.97
52	BEL AIR	right (comb. 236)	4189390	1	25.97
52	BEL AIR	left (comb. 236)	4189391	1	25.97
52	BEL AIR	right (comb. 237)	4189356	1	25.97
52	BEL AIR	left (comb. 237)	4189357	1	25.97
52	BEL AIR	right (comb. 239)	4189423	1	25.97
52	BEL AIR	left (comb. 239)	4189424	1	25.97
52	BEL AIR	right (comb. 240)	4190332	1	25.97
52	BEL AIR	left (comb. 240)	4190333	1	25.97

**TRIM ASSEMBLY, Front Seat Back and Back of Back**

53	1011W-27-37	right (comb. 241)	4191968	1	15.85
53	1011W-27-37	left (comb. 241)	4191969	1	15.85
53	1011W-27-37	right (comb. 242)	4191970	1	15.85
53	1011W-27-37	left (comb. 242)	4191971	1	15.85
53	1011W-27-37	right (comb. 243)	4191972	1	15.85
53	1011W-27-37	left (comb. 243)	4191973	1	15.85
53	1011W-27-37	right (comb. 244)	4191974	1	15.85
53	1011W-27-37	left (comb. 244)	4191975	1	15.85
53	1011WD	right (comb. 245)	4192076	1	23.75
53	1011WD	left (comb. 245)	4192077	1	23.75
53	1011WD	right (comb. 246)	4192078	1	23.75
53	1011WD	left (comb. 246)	4192079	1	23.75
53	1011WD	right (comb. 247)	4192080	1	23.75
53	1011WD	left (comb. 247)	4192081	1	23.75
53	1011WD	right (comb. 248)	4192082	1	23.75
53	1011WD	left (comb. 248)	4192083	1	23.75
53	1211-27	right (comb. 249)	4192457	1	13.25
53	1211-27	left (comb. 249)	4192458	1	13.25
53	1227B	right (comb. 249)	4191890	1	13.25
53	1227B	left (comb. 249)	4191891	1	13.25
53	1069W	(comb. 241)	4192320	1	27.00
53	1069W	(comb. 242)	4192321	1	27.00
53	1069W	(comb. 243)	4192322	1	27.00
53	1069W	(comb. 244)	4192323	1	27.00
53	1069WD	(comb. 245)	4192412	1	38.30
53	1069WD	(comb. 246)	4192413	1	38.30
53	1069WD	(comb. 247)	4192414	1	38.30
53	1069WD	(comb. 248)	4192415	1	38.30
53	1289	(comb. 249)	4192508	1	23.10
53	1067D	right (comb. 264)	4193440	1	27.00
53	1067D	left (comb. 264)	4193441	1	27.00
53	1067D	right (comb. 265)	4193442	1	27.00
53	1067D	left (comb. 265)	4193443	1	27.00
53	1067D	right (comb. 266)	4193444	1	27.00
53	1067D	left (comb. 266)	4193445	1	27.00
53	1067D	right (comb. 267)	4193446	1	27.00
53	1067D	left (comb. 267)	4193447	1	27.00
53	1067D	right (comb. 268)	4193448	1	27.00
53	1067D	left (comb. 268)	4193449	1	27.00
53	1067D	right (comb. 269)	4193450	1	27.00
53	1067D	left (comb. 269)	4193451	1	27.00
53	1067	right (comb. 284)	4198085	1	23.25
53	1067	left (comb. 284)	4198086	1	23.25
53	1067	right (comb. 285)	4198087	1	23.25
53	1067	left (comb. 285)	4198088	1	23.25
53	1067	right (comb. 286)	4198089	1	23.25
53	1067	left (comb. 286)	4198090	1	23.25
53	1067	right (comb. 287)	4198091	1	23.25
53	1067	left (comb. 287)	4198092	1	23.25
53	1037D	right (comb. 254)	4192232	1	22.65

53	1037D	left (comb. 254)	4192233	1	22.65
53	1037D	right (comb. 256)	4192236	1	22.65
53	1037D	left (comb. 256)	4192237	1	22.65
53	1037D	right (comb. 257)	4192238	1	22.65
53	1037D	left (comb. 257)	4192239	1	22.65
53	1037D	right (comb. 258)	4193225	1	22.65
53	1037D	left (comb. 258)	4193226	1	22.65
53	1037D	right (comb. 259)	4193227	1	22.65
53	1037D	left (comb. 259)	4193228	1	22.65
53	1062-62F	(comb. 278)	4193251	1	24.75
53	1062-62F	(comb. 280)	4197554	1	24.75
53	1262F	(comb. 277)	4193278	1	16.17
54	1011W	right (comb. 304)	4200656	1	15.85
54	1011W	left (comb. 304)	4200657	1	15.85
54	1011W	right (comb. 305)	4200658	1	15.85
54	1011W	left (comb. 305)	4200659	1	15.85
54	1011W	right (comb. 306)	4200660	1	15.85
54	1011W	left (comb. 306)	4200661	1	15.85
54	1011W	right (comb. 307)	4200662	1	15.85
54	1011W	left (comb. 307)	4200663	1	15.85
54	1011WA	right (comb. 332)	4209177	1	22.00
54	1011WA	left (comb. 332)	4209178	1	22.00
54	1011WA	right (comb. 333)	4209179	1	22.00
54	1011WA	left (comb. 333)	4209180	1	22.00
54	1011WA	right (comb. 334)	4209181	1	22.00
54	1011WA	left (comb. 334)	4209182	1	22.00
54	1011WD	right (comb. 309)	4200904	1	23.75
54	1011WD	left (comb. 309)	4200905	1	23.75
54	1011WD	right (comb. 310)	4200906	1	23.75
54	1011WD	left (comb. 310)	4200907	1	23.75
54	1011WD	right (comb. 311)	4200908	1	23.75
54	1011WD	left (comb. 311)	4200909	1	23.75
54	1011WD	right (comb. 330)	4200910	1	23.75
54	1011WD	left (comb. 330)	4200911	1	23.75
54	1011WD	right (comb. 331)	4208551	1	23.75
54	1011WD	left (comb. 331)	4208552	1	23.75
54	1211W	right (comb. 300)	4201120	1	13.25
54	1211W	left (comb. 300)	4201121	1	13.25
54	1211WB	right (comb. 300)	4201122	1	13.25
54	1211WB	left (comb. 300)	4201123	1	13.25
54	1069W	(comb. 304)	4200664	1	27.00
54	1069W	(comb. 305)	4200665	1	27.00
54	1069W	(comb. 306)	4200666	1	27.00
54	1069W	(comb. 307)	4200667	1	27.00
54	1069WD	(comb. 309)	4200912	1	32.85
54	1069WD	(comb. 310)	4200913	1	32.85
54	1069WD	(comb. 311)	4200914	1	32.85
54	1069WD	(comb. 330)	4200915	1	32.85
54	1069WD	(comb. 331)	4208582	1	32.85
54	1269W	(comb. 300)	4201124	1	23.10
54	CONV.	right (comb. 325)	4201362	1	27.00
54	CONV.	left (comb. 325)	4201363	1	27.00
54	CONV.	right (comb. 326)	4201364	1	27.00
54	CONV.	left (comb. 326)	4201365	1	27.00
54	CONV.	right (comb. 327)	4201366	1	27.00
54	CONV.	left (comb. 327)	4201367	1	27.00
54	CONV.	right (comb. 328)	4202222	1	27.00
54	CONV.	left (comb. 328)	4202223	1	27.00
54	CONV.	right (comb. 329)	4202253	1	27.00
54	CONV.	left (comb. 329)	4202254	1	27.00
54	CONV.	right (comb. 337)	4201360	1	27.00
54	CONV.	left (comb. 337)	4201361	1	27.00
54	SPT. CPE	right (comb. 314)	4201052	1	22.65
54	SPT. CPE	left (comb. 314)	4201053	1	22.65
54	SPT. CPE	right (comb. 315)	4201054	1	22.65
54	SPT. CPE	left (comb. 315)	4201055	1	22.65
54	SPT. CPE	right (comb. 316)	4201056	1	22.65
54	SPT. CPE	left (comb. 316)	4201057	1	22.65

54	SPT. CPE.....	right (comb. 317).....	4201058	1	22.65
54	SPT. CPE.....	left (comb. 317).....	4201059	1	22.65
54	SPT. CPE.....	right (comb. 318).....	4202162	1	22.65
54	SPT. CPE.....	left (comb. 318).....	4202163	1	22.65
54	SPT. CPE.....	right (comb. 319).....	4202190	1	22.65
54	SPT. CPE.....	left (comb. 319).....	4202191	1	22.65
54	1062D-62F.....	(comb. 323).....	4201200	1	24.75
54	1062D-62F.....	(comb. 324).....	4201201	1	24.75
54	1262F.....	(comb. 322).....	4201256	1	18.75

**14.810 TRIM ASSEMBLY, Back of Front Seat Back**

NOTE: For back of back trim not listed below, refer to Group 15.500 yardage.

42.47	1007.....	right (comb. 132).....	4133945	1	8.95
42.47	1007.....	left (comb. 132).....	4133946	1	8.95
48	1011.....	right (comb. 151).....	4163192	1	7.50
48	1011.....	left (comb. 151).....	4163193	1	7.50
49	1007-11-27-1207-11-27.....	right, (comb. 156, 157).....	4170500	1	7.50
49	1007-11-27-1207-11-27.....	left, (comb. 156, 157).....	4170501	1	7.50
49	1007-11-27.....	right, (comb. 158).....	4170502	1	7.50
49	1007-11-27.....	left, (comb. 158).....	4170503	1	7.50
49	1008-69-1208-69.....	(comb. 156, 157).....	4170574	1	13.85
49	1008-69.....	(comb. 158).....	4170575	1	13.85
49.51	CONV., BEL AIR.....	right (comb. 160, 175, 185, 195, 205).....	4174926	1	7.50
49.51	CONV., BEL AIR.....	left (comb. 160, 175, 185, 195, 205).....	4174927	1	7.50
49.51	CONV., BEL AIR.....	right (comb. 161, 177, 187, 197, 207).....	4174928	1	7.50
49.51	CONV., BEL AIR.....	left (comb. 161, 177, 187, 197, 207).....	4174929	1	7.50
49.51	CONV., BEL AIR.....	right (comb. 162, 176, 186, 196, 206).....	4174930	1	7.50
49.51	CONV., BEL AIR.....	left (comb. 162, 176, 186, 196, 206).....	4174931	1	7.50
49.51	CONV., BEL AIR.....	right (comb. 167, 179, 189, 199, 209).....	4174932	1	7.50
49.51	CONV., BEL AIR.....	left (comb. 167, 179, 189, 199, 209).....	4174933	1	7.50
49.50	STA. WAG.....	(comb. 166).....	4174006	1	10.97
50	1007-11-27-1207-11-27.....	right (comb. 170, 171).....	4174178	1	7.50
50	1007-11-27-1207-11-27.....	left (comb. 170, 171).....	4174179	1	7.50
50	1008-69-1208-69.....	(comb. 170, 171).....	4174243	1	13.85
51	1007-11-27-1207-11-27.....	right (comb. 200, 201).....	4178519	1	7.50
51	1007-11-27-1207-11-27.....	left (comb. 200, 201).....	4178520	1	7.50
51	1008-69-1208-69.....	(comb. 200, 201).....	4178541	1	13.85
51	1227B.....	right (comb. 200).....	4178720	1	6.35
51	1227B.....	left (comb. 200).....	4178721	1	6.35
51.52	STA. WAG.....	(comb. 202, 218).....	4181075	1	10.97
52	1007-11-27.....	right (comb. 211).....	4178989	1	7.50
52	1007-11-27.....	left (comb. 211).....	4178990	1	7.50
52	1007-11-27.....	right (comb. 212).....	4189143	1	7.50
52	1007-11-27.....	left (comb. 212).....	4189144	1	7.50
52	1007-11-27.....	right (comb. 213).....	4189171	1	7.50
52	1007-11-27.....	left (comb. 213).....	4189172	1	7.50
52	1211-27.....	right (comb. 210).....	4186499	1	7.50
52	1211-27.....	left (comb. 210).....	4186500	1	7.50
52	1227B.....	right (comb. 210).....	4186531	1	6.35
52	1227B.....	left (comb. 210).....	4186532	1	6.35
52	1069.....	(comb. 211).....	4179039	1	13.85
52	1069.....	(comb. 212).....	4189269	1	13.85
52	1069.....	(comb. 213).....	4189293	1	13.85
52	1269.....	(comb. 210).....	4186550	1	13.85
52	CONV., BEL AIR.....	right (comb. 224, 234).....	4185951	1	7.50
52	CONV., BEL AIR.....	left (comb. 224, 234).....	4185952	1	7.50
52	CONV., BEL AIR.....	right (comb. 225, 235).....	4189531	1	7.50
52	CONV., BEL AIR.....	left (comb. 225, 235).....	4189532	1	7.50
52	CONV., BEL AIR.....	right (comb. 226, 236).....	4189548	1	7.50
52	CONV., BEL AIR.....	left (comb. 226, 236).....	4189549	1	7.50
52	CONV., BEL AIR.....	right (comb. 227, 237).....	4189603	1	7.50
52	CONV., BEL AIR.....	left (comb. 227, 237).....	4189604	1	7.50
52	CONV., BEL AIR.....	right (comb. 229, 239).....	4186334	1	7.50
52	CONV., BEL AIR.....	left (comb. 229, 239).....	4186335	1	7.50
52	BEL AIR.....	right (comb. 240).....	4190334	1	7.50
52	BEL AIR.....	left (comb. 240).....	4190335	1	7.50



**PANEL, Front Seat Back Outer**

53	1037D-67D.....	right, white (plastic).....	4620649	1	4.50
53	1037D-67D.....	left, white (plastic).....	4620650	1	4.50
53	1037D-67D.....	right, light blue (plastic).....	4620651	1	4.50
53	1037D-67D.....	left, light blue (plastic).....	4620652	1	4.50
53	1037D-67D.....	right, light green (plastic).....	4620653	1	4.50
53	1037D-67D.....	left, light green (plastic).....	4620654	1	4.50
53	1037D-67D.....	right, tan (plastic).....	4620655	1	4.50
53	1037D-67D.....	left, tan (plastic).....	4620656	1	4.50
53	1067.....	right, red (plastic).....	4625776	1	4.50
53	1067.....	left, red (plastic).....	4625777	1	4.50
53	1067.....	right, brown (plastic).....	4625778	1	4.50
53	1067.....	left, brown (plastic).....	4625779	1	4.50
53	1067.....	right, dark blue (plastic).....	4619896	1	4.50
53	1067.....	left, dark blue (plastic).....	4619897	1	4.50
53	1067.....	right, dark green (plastic).....	4619898	1	4.50
53	1067.....	left, dark green (plastic).....	4619899	1	4.50
53	CONV., SPT. CPE.....	SCREW (No. 8—15 x 5/8).....	145417	4	(8.977)
53	CONV., SPT. CPE.....	SCREW, w/washer (No. 8—15; 5/8 O.D.).....	4632299	4	.08

**14.818 MOULDING—NUT, Front Seat Side Trim**

41-48	1069.....	back finish.....	4161376	1	12.58
53	Ser. 1000 (exc. BEL AIR),				
54	Ser. 1000.....	right or left (chrome).....	4630565	1	1.95
53	BEL AIR.....	right.....	4604011	1	3.23
53	BEL AIR.....	left.....	4604012	1	3.50
53-54	Ser. 1200 (exc. SDL.).....	right (30 7/8 dev. length).....	4622078	1	.90
53	Ser. 1200 (exc. SDL.),				
54	1211W-62F-69W.....	left.....	4630562	1	.90
54	1211W-62F-69W.....	right or left.....	4639587	2	.90
53	PASS. (exc. B-A, SDL.),				
54	PASS. (exc. 1262F-71).....	NUT, finish mldg. (1/2 x 1 1/8).....	4631803	A.R.	(14.691)

**MOULDING, Folding Seat Back**

53-54	1062F-1262F.....	right, trim finishing (22 1/2 long).....	4624082	1	2.50
53-54	1062F-1262F.....	left, trim finishing (22 1/2 long).....	4624083	1	2.50
53-54	1062F.....	trim finish, upper and lower seat back, and rear seat bottom (48 15/16 O.L.) (chrome).....	4617875	3	2.75
53-54	1062F.....	front, bottom seat trim finish (chrome).....	4617881	1	5.88
53-54	1062F.....	right, rear corner (chrome).....	4617882	1	.95
53-54	1062F.....	left, rear corner (chrome).....	4617883	1	.95
53	1262F.....	also seat bottom frt. mldg. (painted).....	4619457	5	4.00
53	1262F.....	upper, also used as lower and bottom rear mldg. (48 15/16 O.L.).....	4619455	3	1.55
53	1262F.....	right, rear corner.....	4619452	1	.75
53	1262F.....	left, rear corner.....	4619453	1	.75
54	1262F.....	trim finishing front.....	4641664	1	3.95
54	1262F.....	trim finish, upper and lower seat back, and seat bottom rear.....	4641626	3	1.65
54	1262F.....	right, bottom rear corner.....	4641660	1	.80
54	1262F.....	left, bottom rear corner.....	4641661	1	.80
53-54	1062F-1262F.....	ESCUTCHEON, seat back moulding.....	4619458	4	.65

**14.828 BINDING, Front Seat Back Finish**

49	PASS. (exc. CONV., STA. WAG., SDL.)..	LACE, trim (comb. 156-7-8) (92 long).....	4170976	A.R.	2.02
50-52	PASS. (exc. CONV., B-A, STA. WAG., SDL.).....	LACE, trim (comb. 170, 171, 200, 201, 210, 211) (92 long).....	4169379	A.R.	2.02
52	1007-11-27-69.....	LACE, trim (comb. 212) (92 long).....	4189270	A.R.	2.02
52	1007-11-27-69.....	LACE, trim (comb. 213) (92 long).....	4189751	A.R.	2.02

**14.830 CARPET, Front Seat Foot Rest**

41-48	1007-11-1211.....	(comb. 115-6-7, 129-30-1-2, 150-1-2-3) (7 1/2 x 42).....	4163864	1	3.17
-------	-------------------	--	---------	---	------

**14.860 TRIM ASSEMBLY, Front Seat Bottom Frame**

42-47	1007	right (comb. 132)	4148370	1	2.80
42-47	1007	left (comb. 132)	4148375	1	2.60

**TRIM ASSY., Front Seat Side Panel Lower**

53	1011W-27-37	right (comb. 241)	4191992	1	1.95
53	1011W-27-37	left (comb. 241)	4191993	1	1.95
53	1011W-27-37	right (comb. 242)	4191994	1	1.95
53	1011W-27-37	left (comb. 242)	4191995	1	1.95
53	1011W-27-37	right (comb. 243)	4191996	1	1.95
53	1011W-27-37	left (comb. 243)	4191997	1	1.95
53	1011W-27-37	right (comb. 244)	4191998	1	1.95
53	1011W-27-37	left (comb. 244)	4191999	1	1.95
53	1011WD	right (comb. 245, 291)	4192100	1	2.25
53	1011WD	left (comb. 245, 291)	4192101	1	2.25
53	1011WD	right (comb. 246)	4192102	1	2.25
53	1011WD	left (comb. 246)	4192103	1	2.25
53	1011WD	right (comb. 247, 292)	4192104	1	2.25
53	1011WD	left (comb. 247, 292)	4192105	1	2.25
53	1011WD	right (comb. 248)	4192106	1	2.25
53	1011WD	left (comb. 248)	4192107	1	2.25
53	1211-27-27B	right (comb. 249)	4192463	1	1.85
53	1211-27-27B	left (comb. 249)	4192464	1	1.85
54	1011W	right (comb. 304)	4200676	1	1.95
54	1011W	left (comb. 304)	4200677	1	1.95
54	1011W	right (comb. 305)	4200678	1	1.95
54	1011W	left (comb. 305)	4200679	1	1.95
54	1011W	right (comb. 306)	4200680	1	1.95
54	1011W	left (comb. 306)	4200681	1	1.95
54	1011W	right (comb. 307)	4200682	1	1.95
54	1011W	left (comb. 307)	4200683	1	1.95
54	1011WD	right (comb. 309)	4200924	1	2.25
54	1011WD	left (comb. 309)	4200925	1	2.25
54	1011WD	right (comb. 310)	4200926	1	2.25
54	1011WD	left (comb. 310)	4200927	1	2.25
54	1011WD	right (comb. 311)	4200928	1	2.25
54	1011WD	left (comb. 311)	4200929	1	2.25
54	1011WD	right (comb. 330)	4200930	1	2.25
54	1011WD	left (comb. 330)	4200931	1	2.25
54	1011WA-11WD	right (comb. 331, 332, 333, 334)	4208555	1	2.25
54	1011WA-11WD	left (comb. 331, 332, 333, 334)	4208556	1	2.25
54	1211	right (comb. 300)	4201129	1	1.95
54	1211	left (comb. 300)	4201130	1	1.95

**TRIM ASSY., Front Seat Side and Back Side Panel**

53	1069W	right (comb. 241)	4192328	1	2.95
53	1069W	left (comb. 241)	4192329	1	2.95
53	1069W	right (comb. 242)	4192330	1	2.95
53	1069W	left (comb. 242)	4192331	1	2.95
53	1069W	right (comb. 243)	4192332	1	2.95
53	1069W	left (comb. 243)	4192333	1	2.95
53	1069W	right (comb. 244)	4192334	1	2.95
53	1069W	left (comb. 244)	4192335	1	2.95
53	1069WD	right (comb. 245, 291)	4192420	1	3.25
53	1069WD	left (comb. 245, 291)	4192421	1	3.25
53	1069WD	right (comb. 246)	4192422	1	3.25
53	1069WD	left (comb. 246)	4192423	1	3.25
53	1069WD	right (comb. 247, 292)	4192424	1	3.25
53	1069WD	left (comb. 247, 292)	4192425	1	3.25
53	1069WD	right (comb. 248)	4192426	1	3.25
53	1069WD	left (comb. 248)	4192427	1	3.25
53	1269	right (comb. 249)	4192510	1	2.75
53	1269	left (comb. 249)	4192511	1	2.75
53	1062-62F	right (comb. 278)	4193254	1	2.95
53	1062-62F	left (comb. 278)	4193255	1	2.95
53	1062-62F	right (comb. 280)	4197555	1	2.95
53	1062-62F	left (comb. 280)	4197556	1	2.95

53	1262F	right (comb. 277)	4193280	1	2.95
53	1262F	left (comb. 277)	4193281	1	2.95
54	1069W	right (comb. 304)	4200684	1	2.95
54	1069W	left (comb. 304)	4200685	1	2.95
54	1069W	right (comb. 305)	4200686	1	2.95
54	1069W	left (comb. 305)	4200687	1	2.95
54	1069W	right (comb. 306)	4200688	1	2.95
54	1069W	left (comb. 306)	4200689	1	2.95
54	1069W	right (comb. 307)	4200690	1	2.95
54	1069W	left (comb. 307)	4200691	1	2.95
54	1069WD	right (comb. 309)	4200932	1	3.65
54	1069WD	left (comb. 309)	4200933	1	3.65
54	1069WD	right (comb. 310)	4200934	1	3.65
54	1069WD	left (comb. 310)	4200935	1	3.65
54	1069WD	right (comb. 311)	4200936	1	3.65
54	1069WD	left (comb. 311)	4200937	1	3.65
54	1069WD	right (comb. 330)	4200938	1	3.65
54	1069WD	left (comb. 330)	4200939	1	3.65
54	1069WD	right (comb. 331)	4208583	1	3.65
54	1069WD	left (comb. 331)	4208584	1	3.65
54	1269W	right (comb. 300)	4201131	1	3.65
54	1269W	left (comb. 300)	4201132	1	3.65
54	1062D-62F	right (comb. 323)	4201202	1	2.95
54	1062D-62F	left (comb. 323)	4201203	1	2.95
54	1062D-62F	right (comb. 324)	4201204	1	2.95
54	1062D-62F	left (comb. 324)	4201205	1	2.95
54	1262F	right (comb. 322)	4201257	1	2.95
54	1262F	left (comb. 322)	4201258	1	2.95

**PANEL, Front Seat Side Lower (less mouldings)**

53	1037D-67D	right, white (plastic)	4620657	1	6.45
53	1037D-67D	left, white (plastic)	4620658	1	6.45
53	1037D-67D	right, blue (plastic)	4620821	1	6.45
53	1037D-67D	left, blue (plastic)	4620822	1	6.45
53	1037D-67D	right, green (plastic)	4620823	1	6.45
53	1037D-67D	left, green (plastic)	4620824	1	6.45
53	1037D-67D	right, tan (plastic)	4620825	1	6.45
53	1037D-67D	left, tan (plastic)	4620826	1	6.45
53	1067	right, blue (plastic)	4630580	1	6.45
53	1067	left, blue (plastic)	4625769	1	6.45
53	1067	right, green (plastic)	4625770	1	6.45
53	1067	left, green (plastic)	4625771	1	6.45
53	1067	right, red (plastic)	4625768	1	6.45
53	1067	left, red (plastic)	4625767	1	6.45
53	1067	right, brown (plastic)	4625772	1	6.45
53	1067	left, brown (plastic)	4625773	1	6.45

**14.878 CUSHION, Front Seat—Trimmed**

42-47	1011-27	(comb. 130)	4133262	1	52.63
42-47	1019	(comb. 130)			
46	1219	(comb. 129, 142)	4161758	1	49.37
42-47	1211-27	(comb. 129)	4133261	1	52.63
46-48	STA. WAG.	(comb. 149)	4162321	1	55.51
48	1011-27	(comb. 151)	4163206	1	52.63
48	1019	(comb. 151)	4163268	1	49.37
48	1211-27	(comb. 150)	4163341	1	52.63
48	1219	(comb. 150)	4163342	1	49.37
48	1227B	(comb. 150)	4163558	1	49.37
48	1007	(comb. 153)	4163879	1	59.22
48	1069	(comb. 153)	4164739	1	59.22
49	1007-11-27	(comb. 157)	4173318	1	79.38

NOTE: When using 4173318 on early 1949 Jobs it will be necessary to replace seat adjuster covers with 4586454 R.H. and 4611888 L.H. Group 11.573.

49	1007-11-27	(comb. 158)	4173319	1	78.38
49	1207-11-27	(comb. 156)	4173321	1	66.94
49	1008-69	(comb. 157)	4170566	1	74.37
49	1008-69	(comb. 158)	4170567	1	74.37

49	1208-69	(comb. 156)	4170612	1	62.94
49-50	STA. WAG.	(comb. 166)	4171440	1	68.09
50	1007-11-27	(comb. 171)	4174172	1	78.38
50	1008-69	(comb. 171)	4174239	1	74.37
50	1207-11-27	(comb. 170)	4174268	1	66.94
50	1208-69	(comb. 170)	4174307	1	62.94
50	CONV., BEL AIR	(comb. 175, 185)	4177800	1	97.26
50	CONV., BEL AIR	(comb. 177, 187)	4177801	1	97.26
50	CONV., BEL AIR	(comb. 176, 186)	4177802	1	97.26
51	1007-11-27	(comb. 201)	4178513	1	85.25
51	1207-11-27	(comb. 200)	4178632	1	71.52
51	1227B	(comb. 200)	4178714	1	67.51
51	1008-69	(comb. 201)	4178545	1	81.82
51	1208-69	(comb. 200)	4178655	1	67.51
51	CONV.	(comb. 209)	4179912	1	105.00
51	BEL AIR	(comb. 185)	4181059	1	97.26
51	BEL AIR	(comb. 186)	4181019	1	97.26
51	BEL AIR	(comb. 187)	4181039	1	97.26
51-52	STA. WAG.	(comb. 202, 218)	4181079	1	76.09
52	1007-11-27	(comb. 211)	4189110	1	78.38
52	1007-11-27	(comb. 212)	4189137	1	78.38
52	1007-11-27	(comb. 213)	4189165	1	78.38
52	1069	(comb. 211)	4189242	1	74.37
52	1069	(comb. 212)	4189265	1	74.37
52	1069	(comb. 213)	4189289	1	74.37
52	1211-27	(comb. 210)	4186493	1	66.94
52	1227B	(comb. 210)	4186529	1	62.94
52	1269	(comb. 210)	4186546	1	62.94
52	CONV.	(comb. 224)	4189489	1	105.00
52	CONV.	(comb. 225)	4189525	1	105.00
52	CONV.	(comb. 226)	4189542	1	105.00
52	CONV.	(comb. 227)	4189597	1	105.00
52	CONV.	(comb. 229)	4189633	1	105.00
52	BEL AIR	(comb. 234)	4189452	1	97.26
52	BEL AIR	(comb. 235)	4189318	1	97.26
52	BEL AIR	(comb. 236)	4189386	1	97.26
52	BEL AIR	(comb. 237)	4189352	1	97.26
52	BEL AIR	(comb. 239)	4189419	1	97.26
52	BEL AIR	(comb. 240)	4190328	1	97.26
53	1011W-27-37	(comb. 241)	4191952	1	79.00
53	1011W-27-37	(comb. 242)	4191953	1	79.00
53	1011W-27-37	(comb. 243)	4191954	1	79.00
53	1011W-27-37	(comb. 244)	4191955	1	79.00
53	1011WD	(comb. 245)	4192060	1	87.50
53	1011WD	(comb. 246)	4192061	1	87.50
53	1011WD	(comb. 247)	4192062	1	87.50
53	1011WD	(comb. 248)	4192063	1	87.50
53	1211-27-27B	(comb. 249)	4192453	1	66.30
53	1069W	(comb. 241)	4192308	1	74.37
53	1069W	(comb. 242)	4192309	1	74.37
53	1069W	(comb. 243)	4192310	1	74.37
53	1069W	(comb. 244)	4192311	1	74.37
53	1069WD	(comb. 245)	4192400	1	81.50
53	1069WD	(comb. 246)	4192401	1	81.50
53	1069WD	(comb. 247)	4192402	1	81.50
53	1069WD	(comb. 248)	4192403	1	81.50
53	1269	(comb. 249)	4192505	1	62.94
53	1067	(comb. 284)	4198069	1	96.80
53	1067	(comb. 285)	4198070	1	96.80
53	1067	(comb. 286)	4198071	1	96.80
53	1067	(comb. 287)	4198072	1	96.80
53	1067D	(comb. 264)	4193416	1	102.65
53	1067D	(comb. 265)	4193417	1	102.65
53	1067D	(comb. 266)	4193418	1	102.65
53	1067D	(comb. 267)	4193419	1	102.65
53	1067D	(comb. 268)	4193420	1	102.65
53	1067D	(comb. 269)	4193421	1	102.65
53	1037D	(comb. 254)	4192216	1	97.26



53	1037D	(comb. 256)	4192218	1	97.26
53	1037D	(comb. 257)	4192219	1	97.26
53	1037D	(comb. 258)	4193217	1	97.26
53	1037D	(comb. 259)	4193218	1	97.26
53	1062-62F	(comb. 278)	4193248	1	76.09
53	1062-62F	(comb. 280)	4197551	1	76.09
53	1262F	(comb. 277)	4193275	1	76.09
54	1011W	(comb. 304)	4200620	1	79.00
54	1011W	(comb. 305)	4200621	1	79.00
54	1011W	(comb. 306)	4200622	1	79.00
54	1011W	(comb. 307)	4200623	1	79.00
54	1011WA	(comb. 332)	4209165	1	87.50
54	1011WA	(comb. 333)	4209166	1	87.50
54	1011WA	(comb. 334)	4209167	1	87.50
54	1011WD	(comb. 309)	4200876	1	87.50
54	1011WD	(comb. 310)	4200877	1	87.50
54	1011WD	(comb. 311)	4200878	1	87.50
54	1011WD	(comb. 330)	4200879	1	87.50
54	1011WD	(comb. 331)	4208547	1	87.50
54	1211W	(comb. 300)	4201111	1	66.30
54	1211WB	(comb. 300)	4209247	1	66.30
54	1069W	(comb. 304)	4200624	1	74.75
54	1069W	(comb. 305)	4200625	1	74.75
54	1069W	(comb. 306)	4200626	1	74.75
54	1069W	(comb. 307)	4200627	1	74.75
54	1069WD	(comb. 309)	4200880	1	81.50
54	1069WD	(comb. 310)	4200881	1	81.50
54	1069WD	(comb. 311)	4200882	1	81.50
54	1069WD	(comb. 330)	4200883	1	81.50
54	1069WD	(comb. 331)	4208579	1	81.50
54	1269W	(comb. 300)	4201112	1	62.94
54	CONV.	(comb. 325)	4201345	1	99.50
54	CONV.	(comb. 326)	4201346	1	99.50
54	CONV.	(comb. 327)	4201347	1	99.50
54	CONV.	(comb. 328)	4202218	1	99.50
54	CONV.	(comb. 329)	4202249	1	99.50
54	CONV.	(comb. 337)	4201344	1	99.50
54	SPT. CPE.	(comb. 314)	4201036	1	95.00
54	SPT. CPE.	(comb. 315)	4201037	1	95.00
54	SPT. CPE.	(comb. 316)	4201038	1	95.00
54	SPT. CPE.	(comb. 317)	4201039	1	95.00
54	SPT. CPE.	(comb. 318)	4202158	1	95.00
54	SPT. CPE.	(comb. 319)	4202186	1	85.00
54	1062D-62F	(comb. 323)	4201194	1	75.95
54	1062D-62F	(comb. 324)	4201195	1	75.95
54	1262F	(comb. 322)	4201253	1	75.95

#### 14.880 TRIM ASSEMBLY, Front Seat Cushion Cover

42-47	1007	(comb. 132)	4134277	1	23.08
42-47	1011-27-27B	(comb. 130)	4133268	1	20.20
42-47	1019	(comb. 130)			
46	1219	(comb. 129, 142)	4133271	1	18.47
42-47	1211-27-27B-27P	(comb. 129)	4133267	1	18.47
42-47	1219	(comb. 129)	4133270	1	17.32
46-48	STA. WAG.	(comb. 149)	4162322	1	15.58
46-48	CONV.	(comb. 145, 146)	4165840	1	46.17
48	1011-27	(comb. 151)	4163208	1	20.20
48	1019	(comb. 151)	4163270	1	18.47
48	1019	(comb. 152)	4163271	1	18.47
48	1211-27	(comb. 150)	4163343	1	18.47
48	1219	(comb. 150)	4163344	1	17.32
48	1007	(comb. 153)	4163880	1	23.08
48	1069	(comb. 153)	4164740	1	20.20
49	1007-11	(comb. 157)	4170490	1	25.97
49	1207-11-27	(comb. 156)	4173344	1	22.50
49	1008-69	(comb. 157)	4170568	1	22.50
49	1008-69	(comb. 158)	4170569	1	22.50
49	1208-69	(comb. 156)	4170613	1	18.47

49	CONV.	(comb. 167)	4170991	1	46.17	2770
49-50	STA. WAG.	(comb. 166)	4171441	1	15.58	935
49	1007-11-27	(comb. 158)	4173343	1	25.97	1558
49	1027	(comb. 157)	4173342	1	25.97	1558
50	1007-11-27	(comb. 171)	4174173	1	25.97	1558
50	1008-69	(comb. 171)	4174240	1	22.50	1350
50	1207-11-27	(comb. 170)	4174269	1	22.50	1350
50	1227B	(comb. 170)	4174297	1	20.20	1212
50	1208-69	(comb. 170)	4174308	1	18.47	1108
50	CONV., BEL AIR	(comb. 175, 185)	4177792	1	46.17	2770
50	CONV., BEL AIR	(comb. 177, 187)	4177793	1	46.17	2770
50	CONV., BEL AIR	(comb. 176, 186)	4177794	1	46.17	2770
50	CONV., BEL AIR	(comb. 179, 189)	4177795	1	46.17	2770
51	1007-11-27	(comb. 201)	4178514	1	27.12	1627
51	1207-11-27	(comb. 200)	4178633	1	22.50	1350
51	1227B	(comb. 200)	4178715	1	20.20	1212
51	1008-69	(comb. 201)	4178646	1	23.67	1420
51	1208-69	(comb. 200)	4178656	1	18.47	1108
51	CONV.	(comb. 205)	4179979	1	51.37	3082
51	CONV.	(comb. 206)	4179935	1	51.37	3082
51	CONV.	(comb. 207)	4179957	1	51.37	3082
51	CONV.	(comb. 209)	4179913	1	51.37	3082
51	BEL AIR	(comb. 185)	4181060	1	46.17	2770
51	BEL AIR	(comb. 186)	4181020	1	46.17	2770
51	BEL AIR	(comb. 187)	4181040	1	46.17	2770
51	BEL AIR	(comb. 189)	4181000	1	46.17	2770
51-52	STA. WAG.	(comb. 202, 218)	4181080	1	15.58	935
52	1007-11-27	(comb. 211)	4189111	1	25.97	1558
52	1007-11-27	(comb. 212)	4189138	1	25.97	1558
52	1007-11-27	(comb. 213)	4189166	1	25.97	1558
52	1069	(comb. 211)	4189243	1	22.50	1350
52	1069	(comb. 212)	4189266	1	22.50	1350
52	1069	(comb. 213)	4189290	1	22.50	1350
52	1211-27	(comb. 210)	4186494	1	22.50	1350
52	1227B	(comb. 210)	4186530	1	20.20	1212
52	1269	(comb. 210)	4186547	1	18.47	1108
52	CONV.	(comb. 224)	4189490	1	51.37	3082
52	CONV.	(comb. 225)	4189326	1	51.37	3082
52	CONV.	(comb. 226)	4189543	1	51.37	3082
52	CONV.	(comb. 227)	4189598	1	51.37	3082
52	CONV.	(comb. 229)	4189634	1	51.37	3082
52	BEL AIR	(comb. 234)	4189453	1	46.17	2770
52	BEL AIR	(comb. 235)	4189319	1	46.17	2770
52	BEL AIR	(comb. 236)	4189387	1	46.17	2770
52	BEL AIR	(comb. 237)	4189353	1	46.17	2770
52	BEL AIR	(comb. 239)	4189420	1	46.17	2770
52	BEL AIR	(comb. 240)	4190329	1	46.17	2770
53	1011W-27-37	(comb. 241)	4191956	1	26.50	1590
53	1011W-27-37	(comb. 242)	4191957	1	26.50	1590
53	1011W-27-37	(comb. 243)	4191958	1	26.50	1590
53	1011W-27-37	(comb. 244)	4191959	1	26.50	1590
53	1011WD	(comb. 245)	4192064	1	34.90	2094
53	1011WD	(comb. 246)	4192065	1	34.90	2094
53	1011WD	(comb. 247)	4192066	1	34.90	2094
53	1011WD	(comb. 248)	4192067	1	34.90	2094
53	1211-27-27B	(comb. 249)	4192454	1	22.50	1350
53	1069W	(comb. 241)	4192312	1	23.40	1404
53	1069W	(comb. 242)	4192313	1	23.40	1404
53	1069W	(comb. 243)	4192314	1	23.40	1404
53	1069W	(comb. 244)	4192315	1	23.40	1404
53	1069W-1269 (TAXICAB)	(comb. 290)	4199637	1	18.45	1107
53	1069WD	(comb. 245)	4192404	1	27.95	1677
53	1069WD	(comb. 246)	4192405	1	27.95	1677
53	1069WD	(comb. 247)	4192406	1	27.95	1677
53	1069WD	(comb. 248)	4192407	1	27.95	1677
53	1269	(comb. 249)	4192506	1	18.47	1108
53	1067	(comb. 284)	4198073	1	38.50	2310
53	1067	(comb. 285)	4198074	1	38.50	2310

53	1067	(comb. 286)	4198075	1	38.50
53	1067	(comb. 287)	4198076	1	38.50
53	1067D	(comb. 264)	4193422	1	48.75
53	1067D	(comb. 265)	4193423	1	48.75
53	1067D	(comb. 266)	4193424	1	48.75
53	1067D	(comb. 267)	4193425	1	48.75
53	1067D	(comb. 268)	4193426	1	48.75
53	1067D	(comb. 269)	4193427	1	48.75
53	1037D	(comb. 254)	4192220	1	43.35
53	1037D	(comb. 255)	4192222	1	43.35
53	1037D	(comb. 257)	4192223	1	43.35
53	1037D	(comb. 258)	4193219	1	43.35
53	1037D	(comb. 259)	4193220	1	43.35
53	1062-62F	(comb. 278)	4193249	1	18.00
53	1062-62F	(comb. 280)	4197552	1	18.00
53	1262F	(comb. 277)	4183276	1	15.58
54	1011W	(comb. 304)	4200628	1	26.50
54	1011W	(comb. 305)	4200629	1	26.50
54	1011W	(comb. 306)	4200630	1	26.50
54	1011W	(comb. 307)	4200631	1	26.50
54	1011WA	(comb. 332)	4209168	1	38.50
54	1011WA	(comb. 333)	4209169	1	38.50
54	1011WA	(comb. 334)	4209170	1	38.50
54	1011WD	(comb. 309)	4200884	1	34.90
54	1011WD	(comb. 310)	4200885	1	34.90
54	1011WD	(comb. 311)	4200886	1	34.90
54	1011WD	(comb. 330)	4200887	1	34.90
54	1011WD	(comb. 331)	4208548	1	34.90
54	1211W	(comb. 300)	4201113	1	22.50
54	1211WB	(comb. 300)	4209248	1	22.50
54	1069W	(comb. 304)	4200632	1	23.40
54	1069W	(comb. 305)	4200633	1	23.40
54	1069W	(comb. 306)	4200634	1	23.40
54	1069W	(comb. 307)	4200635	1	23.40
54	1069WD	(comb. 309)	4200888	1	27.95
54	1069WD	(comb. 310)	4200889	1	27.95
54	1069WD	(comb. 311)	4200890	1	27.95
54	1069WD	(comb. 330)	4200891	1	27.95
54	1069WD	(comb. 331)	4208580	1	27.95
54	1269W	(comb. 300)	4201114	1	18.50
54	CONV.	(comb. 325)	4201349	1	48.75
54	CONV.	(comb. 326)	4201350	1	48.75
54	CONV.	(comb. 327)	4201351	1	48.75
54	CONV.	(comb. 328)	4202219	1	48.75
54	CONV.	(comb. 329)	4202250	1	48.75
54	CONV.	(comb. 337)	4201348	1	48.75
54	SPT. CPE.	(comb. 314)	4201040	1	43.35
54	SPT. CPE.	(comb. 315)	4201041	1	43.35
54	SPT. CPE.	(comb. 316)	4201042	1	43.35
54	SPT. CPE.	(comb. 317)	4201043	1	43.35
54	SPT. CPE.	(comb. 318)	4202159	1	43.35
54	SPT. CPE.	(comb. 319)	4202187	1	43.35
54	1062D-62F	(comb. 323)	4201196	1	19.75
54	1062D-62F	(comb. 324)	4201197	1	19.75
54	1262F	(comb. 322)	4201254	1	15.60

#### 14.890 PAD, Front Seat Cushion (rubber)

49-52	2-DOORS		4567652	1	21.22
49-52	4-DOORS		4567458	1	21.78
53	1011W-27-37, CONV.		4617578	1	21.22
53	1011WD-37D		4617579	1	21.22
53	1069W		4617336	1	21.78
53	1062-62F-69WD		4617304	1	21.78
54	1011-37D-67D		4638389	1	21.75
54	1069		4638388	1	21.75
54	1062D-62F		4638415	1	21.75

**14.896 SEAT ASSEMBLY, Driver Adjustable**

38-48	SDL	(comb. 74, 84, 90, 124, 137)	4148233	1	74.37
49-51	SDL	(comb. 163) (w/adjuster)	4171566	1	100.12
52	SDL	(comb. 216) (w/adjuster)	4189651	1	100.12
53	SDL	(comb. 276)	4193300	1	99.50
54	SDL	(comb. 303)	4201147	1	99.50

**14.900 TRIM ASSEMBLY, Front of Front Seat Back (Driver's and Passenger's Seat)**

49-51	SDL	(comb. 163)	4171568	2	7.90
52	SDL	(comb. 216)	4189653	2	7.90
53	SDL	(comb. 276)	4193289	2	7.90
54	SDL	(comb. 303)	4201148	2	7.90

**14.928 CUSHION ASSEMBLY, Driver's Seat**

49-51	SDL	(comb. 163)	4171571	1	28.60
52	SDL	(comb. 216)	4189656	1	28.60
53	SDL	(comb. 276)	4193292	1	28.60
54	SDL	(comb. 303)	4201151	1	28.60

**14.930 TRIM ASSEMBLY, Front Seat Cushion Cover (Driver's seat)**

49-51	SDL	(comb. 163)	4171572	1	7.90
52	SDL	(comb. 216)	4189657	1	7.90
53	SDL	(comb. 276)	4193293	1	7.90
54	SDL	(comb. 303)	4201152	1	7.90

**14.948 SEAT ASSEMBLY, Passenger Tilting**

40-48	SDL	(comb. 90, 124, 137)	4148319	1	74.37
49-51	SDL	(comb. 163) (w/floor supports)	4171573	1	88.68
52	SDL	(comb. 216) (w/floor supports)	4189663	1	88.68
53	SDL	(comb. 276) (complete)	4193301	1	92.50
54	SDL	(comb. 303) (complete)	4201153	1	92.50

**14.968 CUSHION ASSEMBLY, Passenger Seat**

49-51	SDL	(comb. 163)	4171577	1	37.20
52	SDL	(comb. 216)	4189661	1	37.20
53	SDL	(comb. 276)	4193297	1	37.20
54	SDL	(comb. 303)	4201157	1	37.20

**14.970 TRIM ASSEMBLY, Front Seat Cushion Cover (Passenger)**

49-51	SDL	(comb. 163)	4171578	1	7.90
52	SDL	(comb. 216)	4189662	1	7.90
53	SDL	(comb. 276)	4193298	1	7.90
54	SDL	(comb. 303)	4201158	1	7.90

**14.974 CUSHION, Center Seat--Trimmed**

46-48	STA. WAG.	(comb. 149)	4162326	1	34.32
49-50	STA. WAG.	(comb. 166)	4171452	1	37.20
51-52	STA. WAG.	(comb. 202, 218)	4181085	1	40.03
53	1062	(comb. 278)	4193260	1	40.00
53	1062	(comb. 280)	4197561	1	40.00
53	1062F	(comb. 278)	4199579	1	99.50
53	1062F	(comb. 280)	4199578	1	99.50
53	1262F	(comb. 277)	4199577	1	89.50
54	1062D	(comb. 323)	4201214	1	45.75
54	1062D	(comb. 324)	4201215	1	45.75
54	1062F	(comb. 323)	4201222	1	99.50
54	1062F	(comb. 324)	4201223	1	99.50
54	1262F	(comb. 322)	4201261	1	89.50

**BACK, Center Seat--Trimmed**

53	1062F	(comb. 278)	4199572	1	112.50
53	1062F	(comb. 280)	4199571	1	112.50
53	1262F	(comb. 277)	4199570	1	99.50
54	1062F	(comb. 323)	4201218	1	112.50
54	1062F	(comb. 324)	4201219	1	112.50
54	1262F	(comb. 322)	4201259	1	99.50



**14.976 TRIM ASSEMBLY, Center Seat Cushion**

49-50	STA. WAG.	(comb. 166)	4171453	1	13.27
51-52	STA. WAG.	(comb. 202, 218)	4181086	1	13.27
53	1062	(comb. 278)	4193261	1	15.05
53	1062	(comb. 280)	4197562	1	15.05
53	1062F	(comb. 278)	4198530	1	19.25
53	1062F	(comb. 280)	4198529	1	19.25
53	1262F	(comb. 277)	4197149	1	14.43
54	1062D	(comb. 323)	4201216	1	15.50
54	1062D	(comb. 324)	4201217	1	15.50
54	1062F	(comb. 323)	4201224	1	19.25
54	1062F	(comb. 324)	4201225	1	19.25
54	1262F	(comb. 322)	4201262	1	15.50

**TRIM ASSEMBLY, Center Seat Back**

49-50	STA. WAG.	and back of back (comb. 166)	4171451	1	15.87
51-52	STA. WAG.	and back of back (comb. 202, 218)	4181084	1	17.32
53	1062	and back of back (comb. 278)	4193259	1	20.50
53	1062	and back of back (comb. 280)	4197560	1	20.50
53	1062F	(comb. 278)	4198528	1	16.95
53	1062F	(comb. 280)	4198527	1	16.95
53	1262F	(comb. 277)	4197148	1	14.43
54	1062D	and back of back (comb. 323)	4201212	1	20.50
54	1062D	and back of back (comb. 324)	4201213	1	20.50
54	1062F	(comb. 323)	4201220	1	16.95
54	1062F	(comb. 324)	4201221	1	16.95
54	1262F	(comb. 322)	4201260	1	14.50

**TRIM ASSY., Center Seat Side Panel**

53	1062	right (comb. 278)	4193257	1	1.65
53	1062	left (comb. 278)	4193258	1	1.65
53	1062	right (comb. 280)	4197558	1	1.65
53	1062	left (comb. 280)	4197559	1	1.65
54	1062D	right (comb. 323)	4201208	1	1.65
54	1062D	left (comb. 323)	4201209	1	1.65
54	1062D	right (comb. 324)	4201210	1	1.65
54	1062D	left (comb. 324)	4201211	1	1.65

**14.998 BACK, Rear Seat Detachable—Trimmed, w/Spring**

42-47	1227	(comb. 129)	4133347	1	36.05
42-47	1007	(comb. 132)	4134401	1	52.63
46-47	1027	(comb. 130)	4148518	1	42.80
46-47	1011	(comb. 130)	4148543	1	50.92
48	1011	(comb. 151)	4163216	1	50.92
48	1019	(comb. 151)	4163276	1	50.92
48	1211	(comb. 150)	4163349	1	42.80
48	1227	(comb. 150)	4163562	1	36.05
48	1007	(comb. 153)	4163863	1	52.63
48	1069	(comb. 153)	4164743	1	52.63
49	1007	(comb. 157)	4170514	1	60.08
49	1007-08	(comb. 158)	4170586	1	60.08
49	1207-08	(comb. 156)	4170618	1	55.51
49	1008	(comb. 157)	4170585	1	60.08
49	1011	(comb. 157)	4170634	1	60.08
49	1011	(comb. 158)	4170635	1	60.08
49	1211	(comb. 156)	4170664	1	55.51
49	1069	(comb. 157)	4170678	1	60.08
49	1069	(comb. 158)	4170679	1	60.08
49	1269	(comb. 156)	4170704	1	55.51
49	1027	(comb. 157)	4170875	1	47.77
49	1027	(comb. 158)	4170876	1	47.77
49	1227	(comb. 156)	4170897	1	42.92
50	1007-08	(comb. 171)	4174224	1	60.08
50	1011	(comb. 171)	4174199	1	60.08
50	1027	(comb. 171)	4174209	1	52.08
50	1069	(comb. 171)	4174261	1	60.08
50	1207	(comb. 170)	4174276	1	55.51

50	1211	(comb. 170)	4174282	1	55.51
50	1227	(comb. 170)	4174290	1	47.49
50	1208	(comb. 170)	4174313	1	55.51
50	1269	(comb. 170)	4174319	1	55.51
51	1007	(comb. 201)	4185349	1	62.06
51	1011	(comb. 201)	4185350	1	62.06
51	1207	(comb. 200)	4178640	1	56.65
51	1211	(comb. 200)	4185351	1	56.65
51	1027	(comb. 201)	4185352	1	54.35
51	1227	(comb. 200)	4185353	1	49.78
51	1008	(comb. 201)	4178547	1	62.06
51	1069	(comb. 201)	4185354	1	62.05
51	1269	(comb. 200)	4185355	1	56.65
52	1007	(comb. 211)	4189122	1	62.06
52	1007	(comb. 212)	4189150	1	62.06
52	1007	(comb. 213)	4189178	1	62.06
52	1011	(comb. 211)	4189186	1	62.06
52	1011	(comb. 212)	4189194	1	62.06
52	1011	(comb. 213)	4189202	1	62.06
52	1027	(comb. 211)	4189210	1	54.35
52	1027	(comb. 212)	4189219	1	54.35
52	1027	(comb. 213)	4189228	1	54.35
52	1069	(comb. 211)	4189251	1	60.08
52	1069	(comb. 212)	4189275	1	60.08
52	1069	(comb. 213)	4189299	1	60.08
52	1211	(comb. 210)	4186515	1	55.51
52	1227	(comb. 210)	4186523	1	47.49
52	1269	(comb. 210)	4186556	1	55.51
53	1011W-69W	(comb. 241)	4192344	1	60.08
53	1011W-69W	(comb. 242)	4192345	1	60.08
53	1011W-69W	(comb. 243)	4192346	1	60.08
53	1011W-69W	(comb. 244)	4192347	1	60.08
53	1027	(comb. 241)	4192156	1	54.35
53	1027	(comb. 242)	4192157	1	54.35
53	1027	(comb. 243)	4192158	1	54.35
53	1027	(comb. 244)	4192159	1	54.35
53	1211-69	(comb. 249)	4192514	1	55.51
53	1227	(comb. 249)	4192476	1	47.49
53	1011WD-69WD	(comb. 245)	4192436	1	69.75
53	1011WD-69WD	(comb. 246)	4192437	1	69.75
53	1011WD-69WD	(comb. 247)	4192438	1	69.75
53	1011WD-69WD	(comb. 248)	4192439	1	69.75
54	1011WA	(comb. 332)	4209189	1	74.95
54	1011WA	(comb. 333)	4209190	1	74.95
54	1011WA	(comb. 334)	4209191	1	74.95
54	1011W-69W	(comb. 304)	4200716	1	59.95
54	1011W-69W	(comb. 305)	4200717	1	59.95
54	1011W-69W	(comb. 306)	4200718	1	59.95
54	1011W-69W	(comb. 307)	4200719	1	59.95
54	1011WD-69WD	(comb. 309)	4200956	1	69.75
54	1011WD-69WD	(comb. 310)	4200957	1	69.75
54	1011WD-69WD	(comb. 311)	4200958	1	69.75
54	1011WD-69WD	(comb. 330)	4200959	1	69.75
54	1011WD-69WD	(comb. 331)	4208859	1	69.75
54	1211W	(comb. 300)	4201137	1	55.50
54	1269W	(comb. 300)	4201138	1	55.50
54	CONV.	(comb. 325)	4201377	1	65.50
54	CONV.	(comb. 326)	4201378	1	65.50
54	CONV.	(comb. 327)	4201379	1	65.50
54	CONV.	(comb. 328)	4202226	1	65.50
54	CONV.	(comb. 329)	4202257	1	65.50
54	CONV.	(comb. 337)	4201376	1	65.50
54	SPT. CPE	(comb. 314)	4201068	1	59.95
54	SPT. CPE	(comb. 315)	4201069	1	59.95
54	SPT. CPE	(comb. 316)	4201070	1	59.95
54	SPT. CPE	(comb. 317)	4201071	1	59.95
54	SPT. CPE	(comb. 318)	4202166	1	59.95
54	SPT. CPE	(comb. 319)	4202194	1	59.95

# CHEVROLET MASTER PARTS CATALOG

YEAR	MODEL	PART NAME	PART NO.	LIST PRICE
<b>15.000 TRIM ASSEMBLY, Rear Seat Detachable Back Cover</b>				
42-47	1007-69	(comb. 132)	4134407	1 21.35
42-47	1211-19	(comb. 129)	4133294	1 17.32
42-47	1227	(comb. 129)	4133350	1 14.43
42-47	1011-19-27	(comb. 130)		
46	1219	(comb. 142)	4148544	1 20.20
48	1011-19	(comb. 151)	4163278	1 23.08
48	1027	(comb. 151)	4163505	1 20.78
48	1227	(comb. 150)	4163563	1 14.43
48	1007	(comb. 153)	4163884	1 25.97
48	1069	(comb. 153)	4164744	1 25.97
49	1007-08	(comb. 157)	4170587	1 23.08
49	1008	(comb. 158)	4170588	1 23.08
49	1207-08	(comb. 156)	4170619	1 20.78
49	1011	(comb. 157)	4170636	1 23.08
49	1011	(comb. 158)	4170637	1 23.08
49	1211	(comb. 156)	4170665	1 20.78
49	1069	(comb. 157)	4170680	1 23.08
49	1069	(comb. 158)	4170681	1 23.08
49	1269	(comb. 156)	4170705	1 20.78
49	1027	(comb. 157)	4170877	1 20.78
49	1027	(comb. 158)	4170878	1 20.78
49	1227	(comb. 156)	4170898	1 17.32
49-50	STA. WAG.	(comb. 166)	4171457	1 24.82
50	1011	(comb. 171)	4174200	1 23.08
50	1027	(comb. 171)	4174210	1 20.78
50	1007-08	(comb. 171)	4174225	1 23.08
50	1069	(comb. 171)	4174262	1 23.08
50	1207	(comb. 170)	4174277	1 20.78
50	1211	(comb. 170)	4174283	1 20.78
50	1227	(comb. 170)	4174291	1 17.32
50	1208	(comb. 170)	4174314	1 20.78
50	1269	(comb. 170)	4174320	1 20.78
50-52	1269 (TAXICAB)	(comb. 172, 214)	4185369	1 18.47
50	CONV.	(comb. 176)	4174978	1 30.58
50	CONV.	(comb. 179)	4174979	1 30.58
50	BEL AIR	(comb. 185)	4175291	1 32.32
50	BEL AIR	(comb. 187)	4175292	1 32.32
50	BEL AIR	(comb. 186)	4175293	1 32.32
50	BEL AIR	(comb. 189)	4175294	1 32.32
51	1007	(comb. 201)	4178525	1 24.23
51	1011	(comb. 201)	4178573	1 24.23
51	1207	(comb. 200)	4178641	1 21.63
51	1211	(comb. 200)	4178682	1 21.63
51	1027	(comb. 201)	4178598	1 22.22
51	1227	(comb. 200)	4178703	1 18.75
51	1008	(comb. 201)	4178548	1 24.23
51	1069	(comb. 201)	4178620	1 24.23
51	1269	(comb. 200)	4178739	1 21.63
51	CONV.	(comb. 205)	4179987	1 34.33
51	CONV.	(comb. 206)	4179943	1 34.33
51	CONV.	(comb. 207)	4179965	1 34.33
51	CONV.	(comb. 209)	4179921	1 34.33
51	BEL AIR	(comb. 185)	4181066	1 34.33
51	BEL AIR	(comb. 186)	4181026	1 34.33
51	BEL AIR	(comb. 187)	4181046	1 34.33
51	BEL AIR	(comb. 189)	4181006	1 34.33
51-52	STA. WAG.	(comb. 202, 218)	4181090	1 24.67
52	1007	(comb. 211)	4189123	1 23.08
52	1007	(comb. 212)	4189151	1 23.08
52	1007	(comb. 213)	4189179	1 23.08
52	1011	(comb. 211)	4189187	1 23.08

52	1011	(comb. 212)	4189195	1	23.08
52	1011	(comb. 213)	4189203	1	23.08
52	1027	(comb. 211)	4189211	1	20.78
52	1027	(comb. 212)	4189220	1	20.78
52	1027	(comb. 213)	4189229	1	20.78
52	1069	(comb. 211)	4189252	1	23.08
52	1069	(comb. 212)	4189276	1	23.08
52	1069	(comb. 213)	4189300	1	23.08
52	1211	(comb. 210)	4186516	1	20.78
52	1227	(comb. 210)	4186524	1	17.32
52	1269	(comb. 210)	4186557	1	20.78
52	CONV.	(comb. 224) (coil type spring)	4189503	1	34.33
52	CONV.	(comb. 225) (coil type spring)	4189539	1	34.33
52	CONV.	(comb. 226) (coil type spring)	4189556	1	34.33
52	CONV.	(comb. 227) (coil type spring)	4189611	1	34.33
52	CONV.	(comb. 229) (coil type spring)	4189647	1	34.33
52	BEL AIR	(comb. 234) (coil type spring)	4189466	1	32.32
52	BEL AIR	(comb. 235) (coil type spring)	4189332	1	32.32
52	BEL AIR	(comb. 236) (coil type spring)	4189400	1	32.32
52	BEL AIR	(comb. 237) (coil type spring)	4189366	1	32.32
52	BEL AIR	(comb. 239) (coil type spring)	4189433	1	32.32
52	BEL AIR	(comb. 240) (coil type spring)	4190342	1	32.32
52	CONV.	(comb. 224) (zigzag type spring)	4191312	1	34.33
52	CONV.	(comb. 225) (zigzag type spring)	4191310	1	34.33
52	CONV.	(comb. 226) (zigzag type spring)	4191313	1	34.33
52	CONV.	(comb. 227) (zigzag type spring)	4191314	1	34.33
52	CONV.	(comb. 229) (zigzag type spring)	4191311	1	34.33
52	BEL AIR	(comb. 234) (zigzag type spring)	4191256	1	32.32
52	BEL AIR	(comb. 235) (zigzag type spring)	4191257	1	32.32
52	BEL AIR	(comb. 236) (zigzag type spring)	4191258	1	32.32
52	BEL AIR	(comb. 237) (zigzag type spring)	4191259	1	32.32
52	BEL AIR	(comb. 239) (zigzag type spring)	4191260	1	32.32
52	BEL AIR	(comb. 240) (zigzag type spring)	4191261	1	32.32
53	1011W-69W	(comb. 241)	4192348	1	23.45
53	1011W-69W	(comb. 242)	4192349	1	23.45
53	1011W-69W	(comb. 243)	4192350	1	23.45
53	1011W-69W	(comb. 244)	4192351	1	23.45
53	1069W-1269 (TAXICAB)	(comb. 290)	4199994	1	20.75
53	1011WD-69WD	(comb. 245)	4192440	1	32.00
53	1011WD-69WD	(comb. 246)	4192441	1	32.00
53	1011WD-69WD	(comb. 247)	4192442	1	32.00
53	1011WD-69WD	(comb. 248)	4192443	1	32.00
53	1211-69	(comb. 249)	4192515	1	20.78
53	1027	(comb. 241)	4192160	1	21.15
53	1027	(comb. 242)	4192161	1	21.15
53	1027	(comb. 243)	4192162	1	21.15
53	1027	(comb. 244)	4192163	1	21.15
53	1227	(comb. 249)	4192477	1	17.32
53	1067	(comb. 284) (coil type spring)	4198105	1	28.90
53	1067	(comb. 285) (coil type spring)	4198106	1	28.90
53	1067	(comb. 286) (coil type spring)	4198107	1	28.90
53	1067	(comb. 287) (coil type spring)	4198108	1	28.90
53	1067	(comb. 284) (zigzag type spring)	4199652	1	28.90
53	1067	(comb. 285) (zigzag type spring)	4199651	1	28.90
53	1067	(comb. 286) (zigzag type spring)	4199653	1	28.90
53	1067	(comb. 287) (zigzag type spring)	4199654	1	28.90
53	1067D	(comb. 264) (coil type spring)	4193470	1	33.40
53	1067D	(comb. 265) (coil type spring)	4193471	1	33.40
53	1067D	(comb. 266) (coil type spring)	4193472	1	33.40
53	1067D	(comb. 267) (coil type spring)	4193473	1	33.40
53	1067D	(comb. 268) (coil type spring)	4193474	1	33.40
53	1067D	(comb. 269) (coil type spring)	4193475	1	33.40
53	1067D	(comb. 264) (zigzag type spring)	4199645	1	33.40
53	1067D	(comb. 265) (zigzag type spring)	4199646	1	33.40
53	1067D	(comb. 266) (zigzag type spring)	4199647	1	33.40
53	1067D	(comb. 267) (zigzag type spring)	4199648	1	33.40
53	1067D	(comb. 268) (zigzag type spring)	4199649	1	33.40
53	1067D	(comb. 269) (zigzag type spring)	4199650	1	33.40



53	1037	(comb. 241)	4198466	1	21.15
53	1037	(comb. 242)	4198467	1	21.15
53	1037	(comb. 243)	4198468	1	21.15
53	1037	(comb. 244)	4198469	1	21.15
53	1037D	(comb. 254)	4192252	1	27.95
53	1037D	(comb. 256)	4192254	1	27.95
53	1037D	(comb. 257)	4192255	1	27.95
53	1037D	(comb. 258)	4193235	1	27.95
53	1037D	(comb. 259)	4193236	1	27.95
53	1062	(comb. 278)	4193265	1	26.15
53	1062	(comb. 280)	4197566	1	26.15
54	1011WA	(comb. 332)	4209192	1	36.50
54	1011WA	(comb. 333)	4209193	1	36.50
54	1011WA	(comb. 334)	4209194	1	36.50
54	1011W-69W	(comb. 304)	4200728	1	23.45
54	1011W-69W	(comb. 305)	4200729	1	23.45
54	1011W-69W	(comb. 306)	4200730	1	23.45
54	1011W-69W	(comb. 307)	4200731	1	23.45
54	1011WD-69WD	(comb. 309)	4200960	1	32.00
54	1011WD-69WD	(comb. 310)	4200961	1	32.00
54	1011WD-69WD	(comb. 311)	4200962	1	32.00
54	1011WD-69WD	(comb. 330)	4200963	1	32.00
54	1011WD-69WD	(comb. 331)	4208860	1	32.00
54	1211W	(comb. 300)	4201139	1	20.75
54	1269W	(comb. 300)	4201140	1	20.80
54	CONV.	(comb. 325)	4201381	1	33.40
54	CONV.	(comb. 326)	4201382	1	33.40
54	CONV.	(comb. 327)	4201383	1	33.40
54	CONV.	(comb. 328)	4202227	1	33.40
54	CONV.	(comb. 329)	4202258	1	33.40
54	CONV.	(comb. 337)	4201380	1	33.40
54	SPT. CPE.	(comb. 314)	4201072	1	27.95
54	SPT. CPE.	(comb. 315)	4201073	1	27.95
54	SPT. CPE.	(comb. 316)	4201074	1	27.95
54	SPT. CPE.	(comb. 317)	4201075	1	27.95
54	SPT. CPE.	(comb. 318)	4202167	1	27.95
54	SPT. CPE.	(comb. 319)	4202195	1	27.95
54	1062D	(comb. 323)	4201232	1	26.85
54	1062D	(comb. 324)	4201233	1	26.55

#### 15.020 MOULDING, Rear Seat Back

49-51	1007-08-11-27-69 (1st type)	rear	4582292	1	3.83
51-52	1007-11-27-69 (2nd type)	rear (grey)	4610244	1	3.83

#### 15.024 TRIM ASSEMBLY, Rear Seat Back Compartment Shelf

42-47	1011-19	(comb. 130)	4133080	1	2.60
41	1011-19	(comb. 116, 117)			
42	1011-19-1211-19	(comb. 129, 131)			
46	1219	(comb. 129, 142)			
47	1019-1219	(comb. 130)	4133081	1	2.60
48	1027	(comb. 151)	4163513	1	2.60
48	1007	(comb. 153)	4163888	1	3.17
49	FLEETLINE	(comb. 156, 157, 158)	4170535	1	2.60
49	1011-69-1211-69	(comb. 156, 157, 158)	4170654	1	2.32
49-52	CPES	(comb. 156, 157, 158, 170, 171, 200, 201, 210, 211)	4170932	1	2.38
50-52	FLEETLINE	(comb. 170, 171, 200, 201, 211)	4169316	1	2.60
50-52	1011-69-1211-69	(comb. 170, 171, 200, 201, 210, 211)	4169406	1	2.32
52	1007	(comb. 212)	4189132	1	2.60
52	1007	(comb. 213)	4189160	1	2.60
52	1011-69	(comb. 212)	4189191	1	2.32
52	1011-69	(comb. 213)	4189746	1	2.32
52	1027	(comb. 212)	4189215	1	2.38
52	1027	(comb. 213)	4189224	1	2.38
52	BEL AIR	(comb. 234)	4189443	1	3.28
52	BEL AIR	(comb. 235)	4189309	1	3.28
52	BEL AIR	(comb. 236)	4189373	1	3.28

52	BEL AIR	(comb. 237)	4189339	1	3.28
52	BEL AIR	(comb. 239)	4189410	1	3.28
53	1011-69	(comb. 241, 243, 291)	4191912	1	2.50
53	1011-69	(comb. 242, 246)	4192021	1	2.60
53	1011W-69W	(comb. 243)	4191914	1	2.50
53	1011W-69W	(comb. 244)	4191915	1	2.50
53	1011WD-69WD	(comb. 247, 292)	4192022	1	2.60
53	1011WD-69WD	(comb. 248)	4192023	1	2.60
53	1211-69	(comb. 249)	4192449	1	2.30
53	1027	(comb. 241)	4192140	1	2.38
53	1027	(comb. 242)	4192141	1	2.35
53	1027	(comb. 243)	4192142	1	2.35
53	1027	(comb. 244)	4192143	1	2.35
53	1227-27B	(comb. 249)	4192473	1	2.35
53	1037	(comb. 241)	4198164	1	3.00
53	1037	(comb. 242)	4198165	1	3.00
53	1037	(comb. 243)	4198166	1	3.00
53	1037	(comb. 244)	4198167	1	3.00
53	1037D	(comb. 254)	4192172	1	3.00
53	1037D	(comb. 256)	4192174	1	3.00
53	1037D	(comb. 257)	4192175	1	3.00
53	1037D	(comb. 258)	4193195	1	3.00
53	1037D	(comb. 259)	4193196	1	3.00
54	1011W-11WD-69	(comb. 304, 309)	4200568	1	2.50
54	1011W-11WD-69	(comb. 305, 310)	4200569	1	2.50
54	1011W-11WD-89	(comb. 306, 311)	4200570	1	2.50
54	1011W-69W	(comb. 307)	4200571	1	2.50
54	1011WD-69WD	(comb. 330)	4200819	1	2.50
54	1011WD-69WD	(comb. 331)	4208540	1	2.50
54	1011WA	(comb. 332)	4209146	1	2.50
54	1011WA	(comb. 333)	4209147	1	2.50
54	1011WA	(comb. 334)	4209148	1	2.50
54	1211-69W	(comb. 300)	4201100	1	2.30
54	SPT. CPE	(comb. 314)	4200988	1	3.00
54	SPT. CPE	(comb. 315)	4200989	1	3.00
54	SPT. CPE	(comb. 316)	4200990	1	3.00
54	SPT. CPE	(comb. 317)	4200991	1	3.00
54	SPT. CPE	(comb. 318)	4202146	1	3.00
54	SPT. CPE	(comb. 319)	4202174	1	3.00

### 15.033 CUSHION, Rear Seat, Trimmed

NOTE: For Station Wagon Center Seat Cushion see Group 14.974.

42-47	1007	(comb. 132)	4134389	1	59.22
42-47	1011	(comb. 130)	4133273	1	55.95
42-47	1019	(comb. 130)	4133276	1	55.95
42-47	1027	(comb. 130)	4133338	1	46.05
42-47	1211	(comb. 129)	4133275	1	55.95
42-47	1227	(comb. 129)	4133340	1	46.05
46-48	STA. WAG.	(comb. 149)	4162331	1	41.77
48	1011	(comb. 151)	4163210	1	55.95
48	1019	(comb. 151)	4163272	1	55.95
48	1211	(comb. 150)	4163345	1	55.95
48	1219	(comb. 150)	4163346	1	55.95
48	1027	(comb. 151)	4163499	1	46.05
48	1227	(comb. 150)	4163560	1	46.05
48	1007	(comb. 153)	4163881	1	61.05
48	1069	(comb. 153)	4164741	1	61.05
49	1007	(comb. 157)	4170510	1	79.52
49	1207	(comb. 156)	4170532	1	66.94
49	1008	(comb. 157)	4170581	1	79.52
49	1008	(comb. 158)	4170582	1	79.52
49	1208	(comb. 156)	4170616	1	66.94
49	1011	(comb. 157)	4170630	1	79.52
49	1211	(comb. 156)	4170662	1	66.94
49	1069	(comb. 158)	4170675	1	79.52
49	1269	(comb. 156)	4170702	1	66.94
49	1027	(comb. 157)	4170871	1	74.37
49	1027	(comb. 158)	4170872	1	74.37

49	1227	(comb. 156)	4170895	1	62.94
49-50	STA. WAG.	(comb. 166)	4171458	1	40.05
50	1069	(comb. 171)	4174017	1	79.52
50	1007	(comb. 171)	4174182	1	79.52
50	1011	(comb. 171)	4174197	1	79.52
50	1027	(comb. 171)	4174207	1	74.37
50	1008	(comb. 171)	4174246	1	79.52
50	1207	(comb. 170)	4174274	1	66.94
50	1211	(comb. 170)	4174280	1	66.94
50	1227	(comb. 170)	4174288	1	62.94
50	1208	(comb. 170)	4174311	1	66.94
50	1269	(comb. 170)	4174317	1	66.94
50	CONV.	(comb. 175)	4174952	1	74.37
50	CONV.	(comb. 177)	4174953	1	74.37
50	CONV.	(comb. 176)	4174954	1	74.37
50	CONV.	(comb. 179)	4174955	1	74.37
50	BEL AIR	(comb. 185)	4175279	1	76.66
50	BEL AIR	(comb. 187)	4175280	1	76.66
50	BEL AIR	(comb. 186)	4175281	1	76.66
50	BEL AIR	(comb. 189)	4175282	1	76.66
51	1007	(comb. 201)	4178526	1	76.09
51	1011	(comb. 201)	4178574	1	76.09
51	1207	(comb. 200)	4178642	1	62.94
51	1211	(comb. 200)	4178683	1	62.94
51	1027	(comb. 201)	4178899	1	74.37
51	1227	(comb. 200)	4178704	1	62.94
51	1008	(comb. 201)	4178549	1	76.09
51	1069	(comb. 201)	4178621	1	76.09
51	1269	(comb. 200)	4178740	1	62.94
51	CONV.	(comb. 205)	4179986	1	82.97
51	CONV.	(comb. 206)	4179944	1	82.97
51	BEL AIR	(comb. 185)	4181067	1	76.66
51	BEL AIR	(comb. 186)	4181027	1	76.66
51	BEL AIR	(comb. 187)	4181047	1	76.66
51	BEL AIR	(comb. 189)	4181007	1	76.66
51-52	STA. WAG.	(comb. 202, 218)	4181091	1	48.20
52	1007	(comb. 211)	4189120	1	76.09
52	1007	(comb. 212)	4189148	1	76.09
52	1007	(comb. 213)	4189176	1	76.09
52	1011	(comb. 211)	4189184	1	76.09
52	1011	(comb. 212)	4189192	1	76.09
52	1011	(comb. 213)	4189200	1	76.09
52	1027	(comb. 211)	4189208	1	74.37
52	1027	(comb. 212)	4189217	1	74.37
52	1027	(comb. 213)	4189226	1	74.37
52	1069	(comb. 211)	4189249	1	76.09
52	1069	(comb. 212)	4189273	1	76.09
52	1069	(comb. 213)	4189297	1	76.09
52	1211	(comb. 210)	4186513	1	62.94
52	1227	(comb. 210)	4186521	1	62.94
52	1269	(comb. 210)	4186534	1	62.94
52	CONV.	(comb. 224)	4191268	1	82.97
52	CONV.	(comb. 225)	4191269	1	82.97
52	CONV.	(comb. 226)	4191270	1	82.97
52	CONV.	(comb. 227)	4191271	1	82.97
52	CONV.	(comb. 229)	4191272	1	82.97
52	BEL AIR	(comb. 234)	4191216	1	76.66
52	BEL AIR	(comb. 235)	4191217	1	76.66
52	BEL AIR	(comb. 236)	4191218	1	76.66
52	BEL AIR	(comb. 237)	4191219	1	76.66
52	BEL AIR	(comb. 239)	4191220	1	76.66
52	BEL AIR	(comb. 240)	4191221	1	76.66
53	1011W	(comb. 241)	4192000	1	76.09
53	1011W	(comb. 242)	4192001	1	76.09
53	1011W	(comb. 243)	4192002	1	76.09
53	1011W	(comb. 244)	4192003	1	76.09
53	1011WD	(comb. 245)	4192108	1	79.50
53	1011WD	(comb. 246)	4192109	1	79.50

53	1011WD	(comb. 247)	4192110	1	79.50
53	1011WD	(comb. 248)	4192111	1	79.50
53	1211	(comb. 249)	4192465	1	62.25
53	1027	(comb. 241)	4192149	1	76.09
53	1027	(comb. 242)	4192149	1	76.09
53	1027	(comb. 243)	4192150	1	76.09
53	1027	(comb. 244)	4192151	1	76.09
53	1227	(comb. 249)	4192474	1	62.25
53	1069W	(comb. 241)	4192338	1	76.09
53	1069W	(comb. 242)	4192337	1	76.09
53	1069W	(comb. 243)	4192338	1	76.09
53	1069W	(comb. 244)	4192339	1	76.09
53	1069WD	(comb. 245)	4192428	1	83.20
53	1069WD	(comb. 246)	4192428	1	83.20
53	1069WD	(comb. 247)	4192430	1	83.20
53	1069WD	(comb. 248)	4192431	1	83.20
53	1269	(comb. 249)	4192512	1	62.25
53	1067	(comb. 284)	4198093	1	74.50
53	1067	(comb. 285)	4198094	1	74.50
53	1067	(comb. 286)	4198095	1	74.50
53	1067	(comb. 287)	4198096	1	74.50
53	1067D	(comb. 264)	4193452	1	79.50
53	1067D	(comb. 265)	4193453	1	79.50
53	1067D	(comb. 266)	4193454	1	79.50
53	1067D	(comb. 267)	4193455	1	79.50
53	1067D	(comb. 268)	4193456	1	79.50
53	1067D	(comb. 269)	4193457	1	79.50
53	1037	(comb. 241)	4198454	1	71.40
53	1037	(comb. 242)	4198455	1	71.40
53	1037	(comb. 243)	4198456	1	71.40
53	1037	(comb. 244)	4198457	1	71.40
53	1037D	(comb. 254)	4192240	1	74.50
53	1037D	(comb. 256)	4192242	1	74.50
53	1037D	(comb. 257)	4192243	1	74.50
53	1037D	(comb. 258)	4193229	1	74.50
53	1037D	(comb. 259)	4193230	1	74.50
53	1062	(comb. 278)	4193266	1	45.20
53	1062	(comb. 280)	4197567	1	45.20
54	1011W	(comb. 304)	4200692	1	76.05
54	1011W	(comb. 305)	4200693	1	76.05
54	1011W	(comb. 306)	4200694	1	76.05
54	1011W	(comb. 307)	4200695	1	76.05
54	1011WA	(comb. 332)	4209183	1	83.20
54	1011WA	(comb. 333)	4209184	1	83.20
54	1011WA	(comb. 334)	4209185	1	83.20
54	1011WD	(comb. 309)	4200940	1	79.50
54	1011WD	(comb. 310)	4200941	1	79.50
54	1011WD	(comb. 311)	4200942	1	79.50
54	1011WD	(comb. 330)	4200943	1	79.50
54	1011WD	(comb. 331)	4208557	1	79.50
54	1211W	(comb. 300)	4201133	1	62.25
54	1069W	(comb. 304)	4200700	1	76.05
54	1069W	(comb. 305)	4200701	1	76.05
54	1069W	(comb. 306)	4200702	1	76.05
54	1069W	(comb. 307)	4200703	1	76.05
54	1069WD	(comb. 309)	4200944	1	83.20
54	1069WD	(comb. 310)	4200945	1	83.20
54	1069WD	(comb. 311)	4200946	1	83.20
54	1069WD	(comb. 330)	4200947	1	83.20
54	1069WD	(comb. 331)	4208585	1	83.20
54	1269W	(comb. 300)	4201134	1	62.25
54	CONV.	(comb. 325)	4201369	1	79.50
54	CONV.	(comb. 326)	4201370	1	79.50
54	CONV.	(comb. 327)	4201371	1	79.50
54	CONV.	(comb. 328)	4202224	1	79.50
54	CONV.	(comb. 329)	4202255	1	79.50
54	CONV.	(comb. 337)	4201368	1	79.50
54	SPT. CPE	(comb. 314)	4201060	1	74.50



54	SPT. CPE.....	(comb. 315).....	4201081	1	74.50
54	SPT. CPE.....	(comb. 316).....	4201062	1	74.50
54	SPT. CPE.....	(comb. 317).....	4201063	1	74.50
54	SPT. CPE.....	(comb. 318).....	4202164	1	74.50
54	SPT. CPE.....	(comb. 319).....	4202192	1	74.50
54	1062D.....	(comb. 323).....	4201234	1	50.65
54	1062D.....	(comb. 324).....	4201235	1	50.65

**15.035 TRIM ASSEMBLY, Rear Seat Cushion Cover**

NOTE: For Station Wagon Center Seat Trim Parts see Group 14.976.

42-47	1011.....	(comb. 130).....	4133279	1	22.20
42-47	1019.....	(comb. 130).....	4133282	1	20.20
42-47	1027.....	(comb. 130).....	4133341	1	17.32
42-47	1211.....	(comb. 129).....	4133281	1	20.20
42-47	1219.....	(comb. 129).....	4133284	1	20.20
42-47	1227.....	(comb. 129).....	4133343	1	17.32
46-48	STA. WAG.....	(comb. 149).....	4162332	1	13.27
48	1011.....	(comb. 151).....	4163212	1	20.20
48	1019.....	(comb. 151).....	4163274	1	20.20
48	1211.....	(comb. 150).....	4163347	1	20.20
48	1027.....	(comb. 151).....	4163501	1	17.32
48	1227.....	(comb. 150).....	4163561	1	17.32
48	1007.....	(comb. 153).....	4163882	1	21.35
48	1069.....	(comb. 153).....	4164742	1	21.35
48	CONV.....	(comb. 155).....	4165848	1	34.63
49	1007.....	(comb. 157).....	4170512	1	24.82
49	1007.....	(comb. 158).....	4170513	1	24.82
49	1207.....	(comb. 156).....	4170595	1	21.93
49	1008.....	(comb. 157).....	4170583	1	24.82
49	1008.....	(comb. 158).....	4170584	1	24.82
49	1208.....	(comb. 156).....	4170617	1	20.78
49	1011.....	(comb. 157).....	4170632	1	23.08
49	1011.....	(comb. 158).....	4170633	1	23.08
49	1211.....	(comb. 156).....	4170663	1	20.78
49	1069.....	(comb. 157).....	4170676	1	24.82
49	1069.....	(comb. 158).....	4170677	1	24.82
49	1269.....	(comb. 156).....	4170703	1	20.78
49	1027.....	(comb. 157).....	4170873	1	23.08
49	1027.....	(comb. 158).....	4170874	1	23.08
49	1227.....	(comb. 156).....	4170896	1	20.78
49	CONV.....	(comb. 160).....	4171036	1	34.63
49-50	STA. WAG.....	(comb. 166).....	4171459	1	14.43
50	1007.....	(comb. 171).....	4174183	1	24.82
50	1011.....	(comb. 171).....	4174198	1	23.08
50	1027.....	(comb. 171).....	4174208	1	23.08
50	1008.....	(comb. 171).....	4174223	1	24.82
50	1069.....	(comb. 171).....	4174260	1	24.82
50	1207.....	(comb. 170).....	4174275	1	21.93
50	1211.....	(comb. 170).....	4174281	1	20.78
50	1227.....	(comb. 170).....	4174289	1	20.78
50	1208.....	(comb. 170).....	4174312	1	20.78
50	1269.....	(comb. 170).....	4174318	1	20.78
50	CONV.....	(comb. 175).....	4174960	1	34.63
50	CONV.....	(comb. 177).....	4174961	1	34.63
50	CONV.....	(comb. 176).....	4174962	1	34.63
50	CONV.....	(comb. 179).....	4174963	1	34.63
50	BEL AIR.....	(comb. 185).....	4175283	1	36.35
50	BEL AIR.....	(comb. 187).....	4175284	1	36.35
50	BEL AIR.....	(comb. 186).....	4175285	1	36.35
50	BEL AIR.....	(comb. 189).....	4175286	1	36.35
50-52	1269 (TAXICAB).....	(comb. 172, 214).....	4185368	1	18.82
51	1007.....	(comb. 201).....	4178527	1	25.97
51	1011.....	(comb. 201).....	4178575	1	25.97
51	1207.....	(comb. 200).....	4178643	1	22.50
51	1211.....	(comb. 200).....	4178684	1	22.50
51	1027.....	(comb. 201).....	4178600	1	24.82

51	1227	(comb. 200)	4178705	1	22.50
51	1008	(comb. 201)	4178550	1	25.97
51	1208	(comb. 200)	4178663	1	22.50
51	1069	(comb. 201)	4178622	1	25.97
51	1269	(comb. 200)	4178741	1	22.50
51	CONV	(comb. 205)	4179989	1	39.82
51	CONV	(comb. 206)	4179945	1	39.82
51	CONV	(comb. 207)	4179967	1	39.82
51	CONV	(comb. 209)	4179923	1	39.82
51	BEL AIR	(comb. 185)	4181068	1	36.35
51	BEL AIR	(comb. 186)	4181028	1	36.35
51	BEL AIR	(comb. 187)	4181048	1	36.35
51	BEL AIR	(comb. 189)	4181008	1	36.35
51-52	STA. WAG.	(comb. 202, 218)	4181092	1	14.43
52	1007	(comb. 211)	4189121	1	24.82
52	1007	(comb. 212)	4189149	1	24.82
52	1007	(comb. 213)	4189177	1	24.82
52	1011	(comb. 211)	4189185	1	23.08
52	1011	(comb. 212)	4189193	1	23.08
52	1011	(comb. 213)	4189201	1	23.08
52	1027	(comb. 211)	4189209	1	23.08
52	1027	(comb. 212)	4189216	1	23.08
52	1027	(comb. 213)	4189227	1	23.08
52	1069	(comb. 211)	4189250	1	24.82
52	1069	(comb. 212)	4189274	1	24.82
52	1069	(comb. 213)	4189298	1	24.82
52	1211	(comb. 210)	4186514	1	20.78
52	1227	(comb. 210)	4186522	1	20.78
52	1269	(comb. 210)	4186555	1	20.78
52	CONV	(comb. 224) (coil type spring)	4189501	1	39.82
52	CONV	(comb. 225) (coil type spring)	4189537	1	39.82
52	CONV	(comb. 226) (coil type spring)	4189554	1	39.82
52	CONV	(comb. 227) (coil type spring)	4189609	1	39.82
52	CONV	(comb. 229) (coil type spring)	4189645	1	39.82
52	BEL AIR	(comb. 234) (coil type spring)	4189464	1	36.35
52	BEL AIR	(comb. 235) (coil type spring)	4189330	1	36.35
52	BEL AIR	(comb. 236) (coil type spring)	4189398	1	36.35
52	BEL AIR	(comb. 237) (coil type spring)	4189364	1	36.35
52	BEL AIR	(comb. 239) (coil type spring)	4189431	1	36.35
52	BEL AIR	(comb. 240) (coil type spring)	4190340	1	36.35
52	CONV	(comb. 224) (zigzag type spring)	4191273	1	39.82
52	CONV	(comb. 225) (zigzag type spring)	4191274	1	39.82
52	CONV	(comb. 226) (zigzag type spring)	4191275	1	39.82
52	CONV	(comb. 227) (zigzag type spring)	4191276	1	39.82
52	CONV	(comb. 229) (zigzag type spring)	4191277	1	39.82
52	BEL AIR	(comb. 234) (zigzag type spring)	4191233	1	36.35
52	BEL AIR	(comb. 235) (zigzag type spring)	4191234	1	36.35
52	BEL AIR	(comb. 236) (zigzag type spring)	4191235	1	36.35
52	BEL AIR	(comb. 237) (zigzag type spring)	4191236	1	36.35
52	BEL AIR	(comb. 239) (zigzag type spring)	4191237	1	36.35
52	BEL AIR	(comb. 240) (zigzag type spring)	4191238	1	36.35
53	1011W	(comb. 241)	4192004	1	23.30
53	1011W	(comb. 242)	4192005	1	23.30
53	1011W	(comb. 243)	4192006	1	23.30
53	1011W	(comb. 244)	4192007	1	23.30
53	1011WD	(comb. 245)	4192112	1	30.50
53	1011WD	(comb. 246)	4192113	1	30.50
53	1011WD	(comb. 247)	4192114	1	30.50
53	1011WD	(comb. 248)	4192115	1	30.50
53	1211	(comb. 249)	4192466	1	20.00
53	1027	(comb. 241)	4192152	1	23.30
53	1027	(comb. 242)	4192153	1	23.30
53	1027	(comb. 243)	4192154	1	23.30
53	1027	(comb. 244)	4192155	1	23.30
53	1227	(comb. 249)	4192475	1	20.00
53	1069W	(comb. 241)	4192340	1	24.95
53	1069W	(comb. 242)	4192341	1	24.95
53	1069W	(comb. 243)	4192342	1	24.95

53	1069W	(comb. 244)	4192343	1	24.95
53	1069WD	(comb. 245)	4192432	1	33.95
53	1069WD	(comb. 246)	4192433	1	33.95
53	1069WD	(comb. 247)	4192434	1	33.95
53	1069WD	(comb. 248)	4192435	1	33.95
53	1269	(comb. 249)	4192513	1	20.00
53	1067	(comb. 284)	4198097	1	27.50
53	1067	(comb. 285)	4198098	1	27.50
53	1067	(comb. 286)	4198099	1	27.50
53	1067	(comb. 287)	4198100	1	27.50
53	1067D	(comb. 264)	4193458	1	34.50
53	1067D	(comb. 265)	4193459	1	34.50
53	1067D	(comb. 266)	4193460	1	34.50
53	1067D	(comb. 267)	4193461	1	34.50
53	1067D	(comb. 268)	4193462	1	34.50
53	1067D	(comb. 269)	4193463	1	34.50
53	1037	(comb. 241)	4198458	1	23.30
53	1037	(comb. 242)	4198459	1	23.30
53	1037	(comb. 243)	4198460	1	23.30
53	1037	(comb. 244)	4198461	1	23.30
53	1037D	(comb. 254)	4192244	1	27.50
53	1037D	(comb. 256)	4192246	1	27.50
53	1037D	(comb. 257)	4192247	1	27.50
53	1037D	(comb. 258)	4193231	1	27.50
53	1037D	(comb. 259)	4193232	1	27.50
53	1062	(comb. 278)	4193267	1	16.33
53	1062	(comb. 280)	4197568	1	16.33
54	1011W	(comb. 304)	4200704	1	23.30
54	1011W	(comb. 305)	4200705	1	23.30
54	1011W	(comb. 306)	4200706	1	23.30
54	1011W	(comb. 307)	4200707	1	23.30
54	1011WA	(comb. 332)	4209186	1	35.50
54	1011WA	(comb. 333)	4209187	1	35.50
54	1011WA	(comb. 334)	4209188	1	35.50
54	1011WD	(comb. 309)	4200948	1	30.50
54	1011WD	(comb. 310)	4200949	1	30.50
54	1011WD	(comb. 311)	4200950	1	30.50
54	1011WD	(comb. 330)	4200951	1	30.50
54	1011WD	(comb. 331)	4208558	1	30.50
54	1211W	(comb. 300)	4201135	1	20.00
54	1069W	(comb. 304)	4200712	1	24.95
54	1069W	(comb. 305)	4200713	1	24.95
54	1069W	(comb. 306)	4200714	1	24.95
54	1069W	(comb. 307)	4200715	1	24.95
54	1069WD	(comb. 309)	4200952	1	27.50
54	1069WD	(comb. 310)	4200953	1	27.50
54	1069WD	(comb. 311)	4200954	1	27.50
54	1069WD	(comb. 330)	4200955	1	27.50
54	1069WD	(comb. 331)	4208586	1	27.50
54	1269W	(comb. 300)	4201136	1	20.00
54	CONV.	(comb. 325)	4201373	1	34.50
54	CONV.	(comb. 326)	4201374	1	34.50
54	CONV.	(comb. 327)	4201375	1	34.50
54	CONV.	(comb. 328)	4202225	1	34.50
54	CONV.	(comb. 329)	4202256	1	34.50
54	CONV.	(comb. 337)	4201372	1	34.50
54	SPT. CPE	(comb. 314)	4201064	1	27.50
54	SPT. CPE	(comb. 315)	4201065	1	27.50
54	SPT. CPE	(comb. 316)	4201066	1	27.50
54	SPT. CPE	(comb. 317)	4201067	1	27.50
54	SPT. CPE	(comb. 318)	4202165	1	27.50
54	SPT. CPE	(comb. 319)	4202193	1	27.50
54	1062D	(comb. 323)	4201236	1	16.35
54	1062D	(comb. 324)	4201237	1	16.35

**15.036 PAD, Rear Seat Cushion (rubber)**

49-51	1008		4591411	1	22.08
49-52	1007		4591401	1	21.22

49-52	1011	4592042	1	21.22
49-52	1027	4591397	1	21.49
49-52	1069	4592041	1	22.08
50-52	BEL AIR	4581752	1	21.22
53	1011W,			
54	1011	4618126	1	21.22
53	1011WD	4618127	1	21.22
53	1027	4618136	1	21.22
53	1069W,			
54	1069	4618131	1	21.22
53	1069WD	4618132	1	22.08
53	SPT. CPE	4618133	1	21.22
54	CONV.	4621248	1	21.20

**15.047 MOULDING, Rear Seat Heel Panel Finish**

41-48	1011,			
42	1227,			
42-48	1007-27	4116366	1	1.58
41-48	1019-69	4116368	1	1.58

**15.100 TRIM ASSEMBLY, Rear Quarter**

42-47	1007	left (comb. 132)	4134303	1	6.35
42-47	1011-1211	right (comb. 129, 130)	4133295	1	9.82
42-47	1011-1211	left (comb. 129, 130)	4133296	1	9.82
42-47	1027-1227	right (comb. 129, 130)	4133959	1	5.48
42-47	1027-1227	left (comb. 129, 130)	4133960	1	5.48
42-48	1227B	left (comb. 129, 150)	4163574	1	2.88
48	1011	right (comb. 151)	4163230	1	9.82
48	1011	left (comb. 151)	4163231	1	9.82
48	1019	right (comb. 152)	4163298	1	2.60
48	1211	right (comb. 150)	4163371	1	9.82
48	1211	left (comb. 150)	4163372	1	9.82
48	1219	right (comb. 150)	4163373	1	2.60
48	1027	right (comb. 151)	4163515	1	5.48
48	1027	left (comb. 151)	4163516	1	5.48
48	1227	right (comb. 150)	4163575	1	5.48
48	1227	left (comb. 150)	4163576	1	5.48
48	1007	right (comb. 153)	4163891	1	6.35
48	1007	left (comb. 153)	4163892	1	6.35
49	1007	right (comb. 158)	4170530	1	12.12
49	1007	left (comb. 158)	4170531	1	12.12
49	1007-11	right (comb. 157)	4170648	1	13.27
49	1007-11	left (comb. 157)	4170649	1	13.27
49	1011	right (comb. 158)	4170650	1	13.27
49	1011	left (comb. 158)	4170651	1	13.27
49	1207-11	right (comb. 156)	4170666	1	11.25
49	1207-11	left (comb. 156)	4170667	1	11.25
49	1027	right (comb. 157)	4170885	1	10.97
49	1027	left (comb. 157)	4170886	1	10.97
49	1027	right (comb. 158)	4170887	1	10.97
49	1027	left (comb. 158)	4170888	1	10.97
49	1227	right (comb. 156)	4170901	1	9.23
49	1227	left (comb. 156)	4170902	1	9.23
49	1227B	right (comb. 156)	4170903	1	3.28
49	1227B	left (comb. 156)	4170904	1	3.28
49	CONV.	right (comb. 160) (below arm rest)	4171096	1	4.73
49	CONV.	left (comb. 160) (below arm rest)	4171097	1	4.73
49-52	1062	right (wood)	4565041	1	14.43
49-52	1062	left (wood)	4565042	1	14.43
50	1007	right (comb. 171)	4174164	1	12.12
50	1007	left (comb. 171)	4174165	1	12.12
50	1011	right (comb. 171)	4174195	1	13.27
50	1011	left (comb. 171)	4174196	1	13.27
50	1027	right (comb. 171)	4174204	1	10.97
50	1027	left (comb. 171)	4174205	1	10.97
50	1207	right (comb. 170)	4174263	1	9.82
50	1207	left (comb. 170)	4174264	1	9.82



50	1211	right (comb. 170)	4174278	1	11.25
50	1211	left (comb. 170)	4174279	1	11.25
50	1227	right (comb. 170)	4174286	1	9.23
50	1227	left (comb. 170)	4174287	1	9.23
50-52	1227B	right (comb. 170, 200, 210)	4174292	1	3.28
50-52	1227B	left (comb. 170, 200, 210)	4174293	1	3.28
50-51	BEL AIR	right (comb. 185-6-7-9) (above arm rest)	4175265	1	4.03
50-51	BEL AIR	left (comb. 185-6-7-9) (above arm rest)	4175266	1	4.03
51	1007	right (comb. 201)	4178505	1	18.18
51	1007	left (comb. 201)	4178506	1	18.18
51	1011	right (comb. 201)	4178555	1	19.92
51	1011	left (comb. 201)	4178556	1	19.92
51	1207	right (comb. 200)	4178627	1	14.72
51	1207	left (comb. 200)	4178628	1	14.72
51	1211	right (comb. 200)	4178668	1	16.73
51	1211	left (comb. 200)	4178669	1	16.73
51	1027	right (comb. 201)	4178580	1	16.45
51	1027	left (comb. 201)	4178581	1	16.45
51	1227	right (comb. 200)	4178689	1	13.85
51	1227	left (comb. 200)	4178690	1	13.85
51	CONV	left (comb. 205) (below arm rest)	4179971	1	5.10
51	CONV	left (comb. 205) (below arm rest)	4179927	1	5.10
52	1007	right (comb. 211)	4189102	1	12.12
52	1007	left (comb. 211)	4189103	1	12.12
52	1007	right (comb. 212)	4189128	1	12.12
52	1007	left (comb. 212)	4189129	1	12.12
52	1007	right (comb. 213)	4189156	1	12.12
52	1007	left (comb. 213)	4189157	1	12.12
52	1011	right (comb. 211)	4189182	1	13.27
52	1011	left (comb. 211)	4189183	1	13.27
52	1011	right (comb. 212)	4189189	1	13.27
52	1011	left (comb. 212)	4189190	1	13.27
52	1011	right (comb. 213)	4189197	1	13.27
52	1011	left (comb. 213)	4189198	1	13.27
52	1027	right (comb. 211)	4189205	1	10.97
52	1027	left (comb. 211)	4189206	1	10.97
52	1027	right (comb. 212)	4189213	1	10.97
52	1027	left (comb. 212)	4189214	1	10.97
52	1027	right (comb. 213)	4189222	1	10.97
52	1027	left (comb. 213)	4189223	1	10.97
52	1211	right (comb. 210)	4186510	1	11.25
52	1211	left (comb. 210)	4186511	1	11.25
52	1227	right (comb. 210)	4186518	1	9.23
52	1227	left (comb. 210)	4186519	1	9.23
52	CONV	right (comb. 224) (upper front)	4189476	1	2.50
52	CONV	left (comb. 224) (upper front)	4189477	1	2.50
52	CONV	right (comb. 225, 229) (upper front)	4189512	1	2.50
52	CONV	left (comb. 225, 229) (upper front)	4189513	1	2.50
52	CONV	right (comb. 226) (upper front)	4189564	1	2.50
52	CONV	left (comb. 226) (upper front)	4189565	1	2.50
52	CONV	right (comb. 227) (upper front)	4189584	1	2.50
52	CONV	left (comb. 227) (upper front)	4189585	1	2.50
52	BEL AIR	right, upper (comb. 234)	4189444	1	3.33
52	BEL AIR	left, upper (comb. 234)	4189445	1	3.33
52	BEL AIR	right, upper (comb. 235, 239)	4189310	1	3.33
52	BEL AIR	left, upper (comb. 235, 239)	4189311	1	3.33
52	BEL AIR	right, upper (comb. 236)	4189378	1	3.33
52	BEL AIR	left, upper (comb. 236)	4189379	1	3.33
52	BEL AIR	right, upper (comb. 237)	4189344	1	3.33
52	BEL AIR	left, upper (comb. 237)	4189345	1	3.33
52	BEL AIR	right, upper (comb. 240)	4190319	1	4.03
52	BEL AIR	left, upper (comb. 240)	4190320	1	4.03
53	1011W	right (comb. 241)	4191916	1	13.27
53	1011W	left (comb. 241)	4191917	1	13.27
53	1011W	right (comb. 242)	4191918	1	13.27
53	1011W	left (comb. 242)	4191919	1	13.27
53	1011W	right (comb. 243)	4191920	1	13.27
53	1011W	left (comb. 243)	4191921	1	13.27
53	1011W	right (comb. 244)	4191922	1	13.27

53	1011W	left (comb. 244)	4181923	1	13.27
53	1011WD	right (comb. 245, 291)	4192024	1	15.00
53	1011WD	left (comb. 245, 291)	4192025	1	15.00
53	1011WD	right (comb. 246)	4192026	1	15.00
53	1011WD	left (comb. 246)	4192027	1	15.00
53	1011WD	right (comb. 247, 292)	4192028	1	15.00
53	1011WD	left (comb. 247, 292)	4192029	1	15.00
53	1011WD	right (comb. 248)	4192030	1	15.00
53	1011WD	left (comb. 248)	4192031	1	15.00
53	1211	right (comb. 249)	4192447	1	11.25
53	1211	left (comb. 249)	4192448	1	11.25
53	1027	right (comb. 241)	4192132	1	10.97
53	1027	left (comb. 241)	4192133	1	10.97
53	1027	right (comb. 242)	4192134	1	10.97
53	1027	left (comb. 242)	4192135	1	10.97
53	1027	right (comb. 243)	4192136	1	10.97
53	1027	left (comb. 243)	4192137	1	10.97
53	1027	right (comb. 244)	4192138	1	10.97
53	1027	left (comb. 244)	4192139	1	10.97
53	1227	right (comb. 249)	4192471	1	9.23
53	1227	left (comb. 249)	4192472	1	9.23
53	1227B	right (comb. 249)	4192479	1	2.75
53	1227B	left (comb. 249)	4192480	1	2.75
53	1069WD	right (comb. 245, 291)	4196963	1	2.95
53	1069WD	left (comb. 245, 291)	4196964	1	2.95
53	1069WD	right (comb. 246)	4196967	1	2.95
53	1069WD	left (comb. 246)	4196968	1	2.95
53	1069WD	right (comb. 247, 292)	4191865	1	2.95
53	1069WD	left (comb. 247, 292)	4191866	1	2.95
53	1069WD	right (comb. 248)	4191867	1	2.95
53	1069WD	left (comb. 248)	4191868	1	2.95
53	1067	right (comb. 284)	4198017	1	2.50
53	1067	left (comb. 284)	4198018	1	2.50
53	1067	right (comb. 285)	4198019	1	2.50
53	1067	left (comb. 285)	4198020	1	2.50
53	1067	right (comb. 286)	4198021	1	2.50
53	1067	left (comb. 286)	4198022	1	2.50
53	1067	right (comb. 287)	4198023	1	2.50
53	1067	left (comb. 287)	4198024	1	2.50
53	1067	right (comb. 284) (upper rear)	4198025	1	2.95
53	1067	left (comb. 284) (upper rear)	4198026	1	2.95
53	1067	right (comb. 285) (upper rear)	4198027	1	2.95
53	1067	left (comb. 285) (upper rear)	4198028	1	2.95
53	1067	right (comb. 286) (upper rear)	4192949	1	3.08
53	1067	left (comb. 286) (upper rear)	4192950	1	3.08
53	1067	right (comb. 287) (upper rear)	4192951	1	3.08
53	1067	left (comb. 287) (upper rear)	4192952	1	3.08
53	1067D	right (comb. 264)	4193338	1	2.75
53	1067D	left (comb. 264)	4193339	1	2.75
53	1067D	right (comb. 265)	4193340	1	2.75
53	1067D	left (comb. 265)	4193341	1	2.75
53	1067D	right (comb. 266)	4193342	1	2.75
53	1067D	left (comb. 266)	4193343	1	2.75
53	1067D	right (comb. 267)	4193344	1	2.75
53	1067D	left (comb. 267)	4193345	1	2.75
53	1067D	right (comb. 268)	4193346	1	2.75
53	1067D	left (comb. 268)	4193347	1	2.75
53	1067D	right (comb. 269)	4193348	1	2.75
53	1067D	left (comb. 269)	4193349	1	2.75
53	1067D	right (comb. 264) (upper rear)	4193362	1	2.95
53	1067D	left (comb. 264) (upper rear)	4193363	1	2.95
53	1067D	right (comb. 265) (upper rear)	4193364	1	2.95
53	1067D	left (comb. 265) (upper rear)	4193365	1	2.95
53	1067D	right (comb. 266) (upper rear)	4193366	1	2.95
53	1067D	left (comb. 266) (upper rear)	4193367	1	2.95
53	1067D	right (comb. 267) (upper rear)	4193368	1	2.95
53	1067D	left (comb. 267) (upper rear)	4193369	1	2.95
53	1067D	right (comb. 268) (upper rear)	4193370	1	2.95
53	1067D	left (comb. 268) (upper rear)	4193371	1	2.95

53	1067D	right (comb. 269) (upper rear)	4193372	1	2.95
53	1067D	left (comb. 269) (upper rear)	4193373	1	2.95
53	1037	right—upper (comb. 241)	4198176	1	3.75
53	1037	left—upper (comb. 241)	4198177	1	3.75
53	1037	right—upper (comb. 242)	4198178	1	3.75
53	1037	left—upper (comb. 242)	4198179	1	3.75
53	1037	right—upper (comb. 243)	4198180	1	3.75
53	1037	left—upper (comb. 243)	4198181	1	3.75
53	1037	right—upper (comb. 244)	4198182	1	3.75
53	1037	left—upper (comb. 244)	4198183	1	3.75
53	1037D	right—upper (comb. 254)	4192180	1	4.00
53	1037D	left—upper (comb. 254)	4192181	1	4.00
53	1037D	right—upper (comb. 256)	4192184	1	4.00
53	1037D	left—upper (comb. 256)	4192185	1	4.00
53	1037D	right—upper (comb. 257)	4192186	1	4.00
53	1037D	left—upper (comb. 257)	4192187	1	4.00
53	1037D	right—upper (comb. 258)	4193199	1	4.00
53	1037D	left—upper (comb. 258)	4193200	1	4.00
53	1037D	right—upper (comb. 259)	4193201	1	4.00
53	1037D	left—upper (comb. 259)	4193202	1	4.00
53	1062-62F	right (comb. 278)	4197540	1	4.85
53	1062-62F	left (comb. 278)	4197541	1	4.85
53	1062-62F	right (comb. 280)	4197538	1	4.85
53	1062-62F	left (comb. 280)	4197539	1	4.85
53	1262F	right (comb. 277)	4197153	1	4.85
53	1262F	left (comb. 277)	4197154	1	4.85
54	1011W	right (comb. 304)	4200544	1	13.25
54	1011W	left (comb. 304)	4200545	1	13.25
54	1011W	right (comb. 305)	4200546	1	13.25
54	1011W	left (comb. 305)	4200547	1	13.25
54	1011W	right (comb. 306)	4200548	1	13.25
54	1011W	left (comb. 306)	4200549	1	13.25
54	1011W	right (comb. 307)	4200550	1	13.25
54	1011W	left (comb. 307)	4200551	1	13.25
54	1011WA	right (comb. 332)	4209138	1	15.00
54	1011WA	left (comb. 332)	4209139	1	15.00
54	1011WA	right (comb. 333)	4209140	1	15.00
54	1011WA	left (comb. 333)	4209141	1	15.00
54	1011WA	right (comb. 334)	4209142	1	15.00
54	1011WA	left (comb. 334)	4209143	1	15.00
54	1011WD	right (comb. 309)	4200792	1	15.00
54	1011WD	left (comb. 309)	4200793	1	15.00
54	1011WD	right (comb. 310)	4200794	1	15.00
54	1011WD	left (comb. 310)	4200795	1	15.00
54	1011WD	right (comb. 311)	4200796	1	15.00
54	1011WD	left (comb. 311)	4200797	1	15.00
54	1011WD	right (comb. 330)	4200798	1	15.00
54	1011WD	left (comb. 330)	4200799	1	15.00
54	1011WD	right (comb. 331)	4208536	1	15.00
54	1011WD	left (comb. 331)	4208537	1	15.00
54	1211W	right (comb. 300)	4201095	1	11.25
54	1211W	left (comb. 300)	4201096	1	11.25
54	1211WB	right (comb. 300)	4201097	1	2.95
54	1211WB	left (comb. 300)	4201098	1	2.95
54	1069WD	right (comb. 309)	4200800	1	3.75
54	1069WD	left (comb. 309)	4200801	1	3.75
54	1069WD	right (comb. 310)	4200802	1	3.75
54	1069WD	left (comb. 310)	4200803	1	3.75
54	1069WD	right (comb. 311)	4200804	1	3.75
54	1069WD	left (comb. 311)	4200805	1	3.75
54	1069WD	right (comb. 330)	4200806	1	3.75
54	1069WD	left (comb. 330)	4200807	1	3.75
54	1069WD	right (comb. 331)	4208568	1	3.75
54	1069WD	left (comb. 331)	4208569	1	3.75
54	CONV.	right (comb. 325)	4201290	1	4.75
54	CONV.	left (comb. 325)	4201291	1	4.75
54	CONV.	right (comb. 326)	4201292	1	4.75
54	CONV.	left (comb. 326)	4201293	1	4.75
54	CONV.	right (comb. 327)	4201294	1	4.75

54	CONV.	left (comb. 327)	4201295	1	4.75
54	CONV.	right (comb. 328)	4202204	1	4.75
54	CONV.	left (comb. 328)	4202205	1	4.75
54	CONV.	right (comb. 329)	4202235	1	4.75
54	CONV.	left (comb. 329)	4202236	1	4.75
54	CONV.	right (comb. 337)	4201288	1	4.75
54	CONV.	left (comb. 337)	4201289	1	4.75
54	CONV.	right (comb. 325) (upper rear)	4201310	1	2.95
54	CONV.	left (comb. 325) (upper rear)	4201311	1	2.95
54	CONV.	right (comb. 326) (upper rear)	4201312	1	2.95
54	CONV.	left (comb. 326) (upper rear)	4201313	1	2.95
54	CONV.	right (comb. 327) (upper rear)	4201314	1	2.95
54	CONV.	left (comb. 327) (upper rear)	4201315	1	2.95
54	CONV.	right (comb. 328) (upper rear)	4202209	1	2.95
54	CONV.	left (comb. 328) (upper rear)	4202210	1	2.95
54	CONV.	right (comb. 329) (upper rear)	4202240	1	2.95
54	CONV.	left (comb. 329) (upper rear)	4202241	1	2.95
54	CONV.	right (comb. 337) (upper rear)	4201308	1	2.95
54	CONV.	left (comb. 337) (upper rear)	4201309	1	2.95
54	SPT. CPE.	right—upper (comb. 314)	4201000	1	5.25
54	SPT. CPE.	left—upper (comb. 314)	4201001	1	5.25
54	SPT. CPE.	right—upper (comb. 315)	4201002	1	5.25
54	SPT. CPE.	left—upper (comb. 315)	4201003	1	5.25
54	SPT. CPE.	right—upper (comb. 316)	4201004	1	5.25
54	SPT. CPE.	left—upper (comb. 316)	4201005	1	5.25
54	SPT. CPE.	right—upper (comb. 317)	4201006	1	5.25
54	SPT. CPE.	left—upper (comb. 317)	4201007	1	5.25
54	SPT. CPE.	right—upper (comb. 318)	4202149	1	5.25
54	SPT. CPE.	left—upper (comb. 318)	4202150	1	5.25
54	SPT. CPE.	right—upper (comb. 319)	4202177	1	5.25
54	SPT. CPE.	left—upper (comb. 319)	4202178	1	5.25
54	1062D-62F	right (comb. 323)	4201172	1	5.25
54	1062D-62F	left (comb. 323)	4201173	1	5.25
54	1082D-62F	right (comb. 324)	4201174	1	5.25
54	1062D-62F	left (comb. 324)	4201175	1	5.25
54	1262F	right (comb. 322)	4201246	1	5.00
54	1262F	left (comb. 322)	4201247	1	5.00

**TRIM ASSEMBLY, Quarter Lower (with arm rest)**

50	BEL AIR	right (comb. 185)	4175299	1	14.43
50	BEL AIR	left (comb. 185)	4175300	1	14.43
50	BEL AIR	right (comb. 186)	4175303	1	14.43
50	BEL AIR	left (comb. 186)	4175304	1	14.43
50	BEL AIR	left (comb. 189)	4175306	1	14.43
51	BEL AIR	right (comb. 185)	4181051	1	21.07
51	BEL AIR	left (comb. 185)	4181052	1	21.07
51	BEL AIR	right (comb. 186)	4181011	1	21.07
51	BEL AIR	left (comb. 186)	4181012	1	21.07
51	BEL AIR	right (comb. 187)	4181031	1	21.07
51	BEL AIR	left (comb. 187)	4181032	1	21.07
51	BEL AIR	right (comb. 189)	4179991	1	21.07
51	BEL AIR	left (comb. 189)	4179992	1	21.07
52	BEL AIR	right (comb. 234)	4189446	1	21.07
52	BEL AIR	left (comb. 234)	4189447	1	21.07
52	BEL AIR	right (comb. 235)	4189312	1	21.07
52	BEL AIR	left (comb. 235)	4189313	1	21.07
52	BEL AIR	right (comb. 236)	4189360	1	14.43
52	BEL AIR	left (comb. 236)	4189361	1	14.43
52	BEL AIR	right (comb. 237)	4189346	1	21.07
52	BEL AIR	left (comb. 237)	4189347	1	21.07
52	BEL AIR	right (comb. 239)	4189413	1	21.07
52	BEL AIR	left (comb. 239)	4189414	1	21.07
52	BEL AIR	right (comb. 240)	4190321	1	14.43
52	BEL AIR	left (comb. 240)	4190322	1	14.43
53	1037	right (comb. 241)	4198194	1	21.05
53	1037	left (comb. 241)	4198195	1	21.05
53	1037	right (comb. 242)	4198196	1	21.05
53	1037	left (comb. 242)	4198197	1	21.05



53	1037	right (comb. 243)	4198198	1	21.05
53	1037	left (comb. 243)	4198199	1	21.05
53	1037	right (comb. 244)	4198200	1	21.05
53	1037	left (comb. 244)	4198201	1	21.05
53	1037D	right (comb. 254)	4192188	1	21.05
53	1037D	left (comb. 254)	4192189	1	21.05
53	1037D	right (comb. 256)	4192192	1	21.05
53	1037D	left (comb. 256)	4192193	1	21.05
53	1037D	right (comb. 257)	4192194	1	21.05
53	1037D	left (comb. 257)	4192195	1	21.05
53	1037D	right (comb. 258)	4193203	1	21.05
53	1037D	left (comb. 258)	4193204	1	21.05
53	1037D	right (comb. 259)	4193205	1	21.05
53	1037D	left (comb. 259)	4193206	1	21.05
54	SPT. CPE	right (comb. 314)	4201008	1	21.05
54	SPT. CPE	left (comb. 314)	4201009	1	21.05
54	SPT. CPE	right (comb. 315)	4201010	1	21.05
54	SPT. CPE	left (comb. 315)	4201011	1	21.05
54	SPT. CPE	right (comb. 316)	4201012	1	21.05
54	SPT. CPE	left (comb. 316)	4201013	1	21.05
54	SPT. CPE	right (comb. 317)	4201014	1	21.05
54	SPT. CPE	left (comb. 317)	4201015	1	21.05
54	SPT. CPE	right (comb. 318)	4202151	1	21.05
54	SPT. CPE	left (comb. 318)	4202152	1	21.05
54	SPT. CPE	right (comb. 319)	4202179	1	21.05
54	SPT. CPE	left (comb. 319)	4202180	1	21.05

**TRIM ASSEMBLY, Quarter Lower (w/out arm rest)**

52	CONV	right (comb. 224)	4189480	1	4.73
52	CONV	left (comb. 224)	4189481	1	4.73
52	CONV	right (comb. 225)	4189516	1	4.73
52	CONV	left (comb. 225)	4189517	1	4.73
52	CONV	right (comb. 226)	4189568	1	4.73
52	CONV	left (comb. 226)	4189569	1	4.73
52	CONV	right (comb. 227)	4189588	1	4.73
52	CONV	left (comb. 227)	4189589	1	4.73
52	CONV	right (comb. 229)	4189624	1	4.73
52	CONV	left (comb. 229)	4189625	1	4.73
53	1067	right (comb. 284)	4198033	1	4.75
53	1067	left (comb. 284)	4198034	1	4.75
53	1067	right (comb. 285)	4198035	1	4.75
53	1067	left (comb. 285)	4198036	1	4.75
53	1067	right (comb. 286)	4198037	1	4.75
53	1067	left (comb. 286)	4198038	1	4.75
53	1067	right (comb. 287)	4198039	1	4.75
53	1067	left (comb. 287)	4198040	1	4.75
53	1067D	right (comb. 264)	4193350	1	4.73
53	1067D	left (comb. 264)	4193351	1	4.73
53	1067D	right (comb. 265)	4193352	1	4.73
53	1067D	left (comb. 265)	4193353	1	4.73
53	1067D	right (comb. 266)	4193354	1	4.73
53	1067D	left (comb. 266)	4193355	1	4.73
53	1067D	right (comb. 267)	4193356	1	4.73
53	1067D	left (comb. 267)	4193357	1	4.73
53	1067D	right (comb. 268)	4193358	1	4.73
53	1067D	left (comb. 268)	4193359	1	4.73
53	1067D	right (comb. 269)	4193360	1	4.73
53	1067D	left (comb. 269)	4193361	1	4.73
54	CONV	right (comb. 325)	4201302	1	5.65
54	CONV	left (comb. 325)	4201303	1	5.65
54	CONV	right (comb. 326)	4201304	1	5.65
54	CONV	left (comb. 326)	4201305	1	5.65
54	CONV	right (comb. 327)	4201306	1	5.65
54	CONV	left (comb. 327)	4201307	1	5.65
54	CONV	right (comb. 328)	4202207	1	5.65
54	CONV	left (comb. 328)	4202208	1	5.65
54	CONV	right (comb. 329)	4202238	1	5.65
54	CONV	left (comb. 329)	4202239	1	5.65
54	CONV	right (comb. 337)	4201300	1	5.65
54	CONV	left (comb. 337)	4201301	1	5.65

**15.101 MOULDING—NUT, Rear Quarter Trim**

49-52	1027	lower (5½ O.L.)	4558700	2	.65
49	1027,				
53	1027-37	upper (25½ O.L.)	4558897	2	.93
49	1007	lower (7½ O.L.)	4566162	2	.60
49-52	1011	lower (9¾ O.L.)	4566239	2	.60
49	1007	upper	4567330	2	.93
49	1011	upper (31⅞ O.L.)	4571107	2	.93
50-52	1007	lower (7⅞ O.L.)	4558702	2	.60
50	1007-11	center (24⅞ O.L.)	4558996	2	(14.764)
50	1027	center (23⅞ O.L.)	4576867	2	.72
50	1027	upper (24 O.L.)	4582455	2	.72
50	1007	upper (27 O.L.)	4582456	2	.72
50	1011	upper (28 O.L.)	4583155	2	.93
51-52	CONV.	lower	4590499	2	.82
51-52	BEL AIR	lower	4590453	2	.75
53	1011W	upper (30⅞ O.L.)	4559239	2	1.40
53-54	1011WA-11WD	upper (25⅞ O.L.)	4577574	2	1.09
53	1011WD	lower (8½ O.L.)	4617401	2	.52
53	1067,				
54	CONV.	upper (10⅞ O.L.)	4623056	2	.65
53	1067D	upper (25⅞ dev. length)	4615665	2	.95
53	1067D	lower (7¾ dev. length)	4615770	2	.65
53	1037D	upper (26⅞ dev. length)	4615689	2	.95
53	1037D	lower (7⅞ dev. length)	4615704	2	.65
54	1011WA	lower (8⅞ O.L.)	4583719	2	.68
54	1011WA	kick (7⅞ x 8⅞)	4644414	2	1.61
54	1011WD	lower (24⅞ dev. length)	4579444	2	.95
54	CONV.	lower (24⅞ dev. length)	4632574	2	.95
54	SPT. CPE	lower (25⅞ dev. length)	4632562	2	.95
54	1011WD-32D-67D	NUT, finish moulding (½ x ⅞)	4631803	A.R.	(14.691)

**15.103 LINING, Front Compartment Rear (Embossed)**

50-52	1227B	(comb. 170, 200, 210)	4174294	1	3.58
53	1227B	(comb. 249)	4192481	1	3.58
54	1211WB	(comb. 300)	4201099	1	3.60

**15.106 REST ASSEMBLY, Rear Quarter Arm (trimmed)**

42-47	1027	right (comb. 130)	4133353	1	11.95
42-47	1227	left (comb. 129)	4133358	1	9.28
46-47	1011	right (comb. 130)	4148547	1	11.95
46-47	1011	left (comb. 130)	4148548	1	11.95
46	1219,				
42-47	1019	right (comb. 130, 142)	4147167	1	11.95
48	1011	right (comb. 151)	4163234	1	11.95
48	1011	left (comb. 151)	4163235	1	11.95
48	1019	right (comb. 152)	4163299	1	11.95
48	1027	right (comb. 151)	4163519	1	11.95
48	1027	left (comb. 151)	4163520	1	11.95
48	1227	right (comb. 150)	4163577	1	9.28
48	1227	left (comb. 150)	4163578	1	9.28
48	1007	right (comb. 153)	4163893	1	13.27
48	1007	left (comb. 153)	4163894	1	13.27
49	1007-11-27	right (comb. 157, 158)	4170533	1	7.22
49	1007-11-27	left (comb. 157, 158)	4170534	1	7.22
50	1007-11-27	right (comb. 171)	4174166	1	7.22
50	1007-11-27	left (comb. 171)	4174167	1	7.22
51	1007-11-27	right (comb. 201)	4178507	1	10.97
51	1007-11-27	left (comb. 201)	4178508	1	10.97
52	1007-11-27	right (comb. 211)	4189104	1	6.35
52	1007-11-27	left (comb. 211)	4189105	1	6.35
52	1007-11-27	right (comb. 212)	4189130	1	6.35
52	1007-11-27	left (comb. 212)	4189131	1	6.35
52	1007-11-27	right (comb. 213)	4189158	1	6.35
52	1007-11-27	left (comb. 213)	4189159	1	6.35
53	1011W-27	right (comb. 241)	4191924	1	5.25

53	1011W-27	left (comb. 241)	4191925	1	5.25
53	1011W-27	right (comb. 242)	4191926	1	5.25
53	1011W-27	left (comb. 242)	4191927	1	5.25
53	1011W-27	right (comb. 243)	4191928	1	5.25
53	1011W-27	left (comb. 243)	4191929	1	5.25
53	1011W-27	right (comb. 244)	4191930	1	5.25
53	1011W-27	left (comb. 244)	4191931	1	5.25
53	1011WD	right (comb. 245, 291)	4192032	1	5.25
53	1011WD	left (comb. 245, 291)	4192033	1	5.25
53	1011WD	right (comb. 246)	4192034	1	5.25
53	1011WD	left (comb. 246)	4192035	1	5.25
53	1011WD	right (comb. 247, 292)	4192036	1	5.25
53	1011WD	left (comb. 247, 292)	4192037	1	5.25
53	1011WD	right (comb. 248)	4192038	1	5.25
53	1011WD	left (comb. 248)	4192039	1	5.25
54	1011W	right (comb. 304)	4200560	1	5.25
54	1011W	left (comb. 304)	4200561	1	5.25
54	1011W	right (comb. 305)	4200562	1	5.25
54	1011W	left (comb. 305)	4200563	1	5.25
54	1011W	right (comb. 306)	4200564	1	5.25
54	1011W	left (comb. 306)	4200565	1	5.25
54	1011W	right (comb. 307)	4200566	1	5.25
54	1011W	left (comb. 307)	4200567	1	5.25
54	1011WA	right (comb. 334)	4209144	1	5.25
54	1011WA	left (comb. 334)	4209145	1	5.25
54	1011WA-11WD	right (comb. 310, 332)	4200810	1	5.25
54	1011WA-11WD	left (comb. 310, 332)	4200811	1	5.25
54	1011WA-11WD	right (comb. 311, 333)	4200812	1	5.25
54	1011WA-11WD	left (comb. 311, 333)	4200813	1	5.25
54	1011WD	right (comb. 309)	4200808	1	5.25
54	1011WD	left (comb. 309)	4200809	1	5.25
54	1011WD	right (comb. 330)	4200814	1	5.25
54	1011WD	left (comb. 330)	4200815	1	5.25
54	1011WD	right (comb. 331)	4206538	1	5.25
54	1011WD	left (comb. 331)	4206539	1	5.25
49-52	PASS. (exc. STA. WAG.)	SCREW, arm rest to frame (No. 14—10 x 3/4)	4590966	A.R.	.03

#### 15.110 TRIM ASSEMBLY, Rear Quarter Arm Rest Cover

51	CONV.	left (comb. 205, 6, 7, 9)	4183331	1	2.02
52	CONV.	right (comb. 224)	4189482	1	2.02
52	CONV.	left (comb. 224)	4189483	1	2.02
52	CONV.	right (comb. 225)	4189518	1	2.02
52	CONV.	left (comb. 225)	4189519	1	2.02
52	CONV.	right (comb. 226)	4189570	1	2.02
52	CONV.	left (comb. 226)	4189571	1	2.02
52	CONV.	right (comb. 227)	4189590	1	2.02
52	CONV.	left (comb. 227)	4189591	1	2.02
52	CONV.	right (comb. 229)	4189626	1	2.02
52	CONV.	left (comb. 229)	4189627	1	2.02
53	1067	right (comb. 284)	4198041	1	2.02
53	1067	left (comb. 284)	4198042	1	2.02
53	1067	right (comb. 285)	4198043	1	2.02
53	1067	left (comb. 285)	4198044	1	2.02
53	1067	right (comb. 286)	4198045	1	2.02
53	1067	left (comb. 286)	4198046	1	2.02
53	1067	right (comb. 287)	4198047	1	2.02
53	1067	left (comb. 287)	4198048	1	2.02
53	1067D	right (comb. 264)	4193374	1	2.02
53	1067D	left (comb. 264)	4193375	1	2.02
53	1067D	right (comb. 265)	4193376	1	2.02
53	1067D	left (comb. 265)	4193377	1	2.02
53	1067D	right (comb. 266)	4193378	1	2.02
53	1067D	left (comb. 266)	4193379	1	2.02
53	1067D	right (comb. 267)	4193380	1	2.02
53	1067D	left (comb. 267)	4193381	1	2.02
53	1067D	right (comb. 268)	4193382	1	2.02
53	1067D	left (comb. 268)	4193383	1	2.02
53	1067D	right (comb. 269)	4193384	1	2.02

53	1067D	left (comb. 269)	4193385	1	2.02
54	CONV.	right comb. 325)	4201318	1	2.00
54	CONV.	left (comb. 325)	4201319	1	2.00
54	CONV.	right (comb. 326)	4201320	1	2.00
54	CONV.	left (comb. 326)	4201321	1	2.00
54	CONV.	right (comb. 327)	4201322	1	2.00
54	CONV.	left (comb. 327)	4201323	1	2.00
54	CONV.	right (comb. 328)	4202211	1	2.00
54	CONV.	left (comb. 328)	4202212	1	2.00
54	CONV.	right (comb. 337)	4201316	1	2.00
54	CONV.	left (comb. 337)	4201317	1	2.00

**15.111 COVER, Rear Quarter Arm Rest Finish**

49-50	1007-11-27	right (metal)	4582201	1	1.63
49-51	1007-11-27	left (metal)	4595680	1	1.63
51	1007-11-27	right (metal)	4595679	1	1.63

**15.222 LINING, Rear Compartment Side**

41-48	1007	right, side	4161563	1	1.93
41-48	1007	left, side	4161564	1	1.93
41-48	1027	right, side	4162084	1	2.92
41-48	1027	left, side	4162085	1	2.92
41-48	1027B-1227B	side	4120920	2	2.20
41-48	1069	right, side	4161573	1	2.48
41-48	1069	left, side	4161574	1	2.48
41-48	1211-19	right, side	4133462	1	1.27
41-48	1211-19	left, side	4133463	1	1.27
42-48	1011-19	right, side	4161583	1	2.03
42-48	1011-19	left, side	4161584	1	2.03
49-50	1007-08	right	4569951	1	1.93
49-50	1007-08	left	4583927	1	1.93
49-50	1011-69	right	4569955	1	1.93
49-50	1211-69	right	4570181	1	1.10
49-50	1211-69	left	4583930	1	1.10
49-50	1207-08	right	4571507	1	1.10
49-50	1207-08	left	4583929	1	1.10
49-50	1027	right	4569958	1	1.93
49-50	1027	left	4583931	1	1.93
49-50	CONV.	right	4569966	1	1.27
49-50	CONV.	left	4583921	1	1.48
49-50	1227-27B	right	4570178	1	1.10
49	1227-27B	left	4570179	1	1.27
49-50	1011-69	left	4583928	1	1.93
50	1227-27B	left	4583923	1	1.10
50	BEL AIR	right	4584294	1	1.93
50	BEL AIR	left	4584295	1	1.93
51-52	FLEETLINE	right (black)	4595932	1	1.27
51-52	FLEETLINE	left (black)	4595933	1	1.27
51-52	1011-69-1211-69	right (black)	4595934	1	1.20
51-52	1011-69-1211-69	left (black)	4595935	1	1.20
51-52	CPES	right (black)	4595936	1	1.20
51-52	CPES	left (black)	4595937	1	1.20
51-52	CONV.	right (black)	4600932	1	1.12
51-52	CONV.	left (black)	4600933	1	1.02
51-52	BEL AIR	right (black)	4600929	1	1.38
51-52	BEL AIR	left (black)	4600930	1	1.38
53	1011-69-1211-69	right	4618415	1	1.20
53	1011-69-1211-69	left	4618416	1	1.20
53	1027-1227-27B	right	4619750	1	1.20
53	1027-1227-27B	left	4619751	1	1.20
53	CONV.	right	4619756	1	1.25
53	CONV.	left	4619757	1	1.25
53	SPT. CPE	right	4619753	1	1.38
53	SPT. CPE	left	4619754	1	1.38



**FOUNDATION, Rear Seat Back Finish (luggage compartment front lining or seat back finish panel)**

41-48	1211-19		4161636	1	1.10
42-48	1011-19		4161635	1	1.60
41-48	1069		4161575	1	1.93
42-48	1007		4161884	1	1.60
49-52	1011-69-1211-69		4570180	1	1.10
49-52	FLEETLINE		4571171	1	1.10
49-52	1027-1227		4570177	1	1.10
49-52	CONV.	upper	4600931	1	1.45
50-52	BEL AIR		4600928	1	1.38
53	1027-1227	front	4619749	1	1.10
53-54	1011-69-1211-11W-69-69W	front	4618413	1	1.60
53-54	CONV.	upper front	4619755	1	1.40
53-54	SPT. CPE.	front	4619752	1	1.38

**15.263 PANEL ASSEMBLY, Side Trim**

41-48	SDL	right	4115997	1	12.67
41-48	SDL	left	4116417	1	12.67
49-52	SDL	right (masonite)	4564403	1	12.67
49-52	SDL	left (masonite)	4564404	1	12.67
53-54	SDL	right—upper	4619480	1	4.00
53-54	SDL	left—upper	4619481	1	4.00
53-54	SDL	right—lower	4619482	1	4.00
53-54	SDL	left—lower	4619483	1	4.00

**15.264 MOULDING—ESCUTCHEON—FILLER, Side Trim Panel**

49-52	SDL	front (1 x 34½)	4588794	2	1.87
49-52	SDL	rear inside corner—upper	4610269	2	
49-52	SDL	right, rear inside corner—lower	4587558	1	.82
49-52	SDL	left, rear inside corner—lower	4587559	1	.82
53	SDL	front	4623256	2	1.87
53	SDL	upper and lower (55 O.L.)	4623253	4	1.87
53	SDL	rr. qtr. inside corner (29½ O.L.)	4623258	2	1.87
54	SDL	front	4641011	2	1.90
54	SDL	upper and lower	4641010	4	2.63
54	SDL	rr. qtr. inside corner	4641013	2	2.35
53	SDL	ESCUTCHEON (1½ x 2) "T" Shape	4623251	6	.25
53	SDL	ESCUTCHEON, rr. qtr. inside corner (1½ x 1½)	4623252	2	.25
54	SDL	ESCUTCHEON	4641006	6	.25
54	SDL	ESCUTCHEON, rr. qtr. inside corner	4641007	2	.25
50-52	SDL	FILLER, right—at wheelhouse (38¼ long—channel shape)	4610270	1	1.07

**15.278 SCREW, Trim Attaching**

37	PASS. (exc. SDL)	trim pad to pan and pillar,			
37-38	PASS. (exc. SDL)	front body pillar trim support	178891	A.R.	(8.977)
39	PASS. (exc. SDL)	front seat bottom finishing	106665	A.R.	(8.977)

**15.280 MAT, Dash Panel**

40-41	PASS.	(19½ x 42½)	3658461	1	2.90
42-48	PASS.	(19½ x 41½)	3685131	1	3.98
49-50	PASS.	(18½ x 51½)	3693817	1	6.55
51-52	PASS.	(18½ x 51½) (½ dia. hole above duct opening—both sides)	3695693	1	6.55
53-54	PASS.		3697673	1	6.55

**15.282 FASTENER, Dash Panel Mat**

34-54	PASS.	(¾ head diameter x 1½ long)	3692752	A.R.	.02
-------	-------	-----------------------------	---------	------	-----

**15.286 MAT, Front Floor (rubber)**

29-33	PASS.	(42 x 37) (cut to fit—using old mat as guide)	604554	1	4.26
34-35	PASS.		602909	1	3.96
36	PASS.		602911	1	3.96

37-39	PASS.....	(formed center) (37 x 46½ long).....	604607	1	5.30
40-48	PASS.....	.....	607877	1	5.80
41-48	1027B, Ser. 1200,				
42	1007-11-19-69.....	(comb. 131-2, 141),			
42-48	1011-19-27-67.....	(comb. 130, 135, 144, 147, 151, 152),			
46-48	1007-61-69.....	.....	4133494	1	8.60
42-47	CONV.....	(comb. 133, 143-6).....	4141748	1	14.32
42-48	CONV.....	(comb. 136, 145-8).....	4165450	1	14.32
48	CONV.....	(comb. 155).....	4165452	1	14.32
49-51	Ser. 1200,				
52	PASS. (Exc. CONV., B-A, STA. WAG., SDL).....	(comb. 210, 211) (production type).....	4618147	1	16.03
49	Ser. 1000 (exc. CONV.).....	(production type).....	4567665	1	18.98
49-52	1269.....	black, heavy duty (taxi and police jobs) (production type).....	4583445	1	13.32
49-50	CONV., BEL AIR.....	(comb. 160, 175, 188, 195),			
51-52	CONV.....	(comb. 205, 225) (production type)....	4607908	1	16.85
49-52	CONV.....	(comb. 161, 162, 176, 186, 196, 206, 209, 226, 229) (production type).....	4607911	1	12.23
50	BEL AIR.....	(comb. 167, 179, 189, 199),			
49-50	CONV., BEL AIR.....	(comb. 209) (production type).....	4593408	1	17.75
51	CONV. (1st type).....	(production type).....	4591811	1	16.03
50-51	Ser. 1000 (exc. CONV., B-A).....	(comb. 212) (production type).....	4618148	1	16.03
52	1007-11-27-69.....	(comb. 213) (production type).....	4621277	1	16.03
52	1007-11-27-69.....	(production type).....	4612138	1	13.57
52	STA. WAG. ....	(black) (production type).....	4612136	1	8.60
52	SDL.....	(special replacement).....	3699176	1	8.64
49-52	PASS.....	blue.....	4632201	1	16.03
53	1011W-27-37-69W.....	green.....	4632202	1	16.03
53	1011W-27-37-69W-1262F.....	brown.....	4632207	1	16.03
53	1011W-27-37-69W.....	gray.....	4632200	1	16.03
53	1211-27-27B-69-71.....	black.....	4618827	1	9.11
53-54	1069W-1269.....	heavy duty (taxi and police jobs).....	4632212	1	13.50
53	1062-62F.....	beige.....	4632210	1	16.03
54	1011W-69W.....	gray.....	4638348	1	16.75
54	1011W-69W.....	blue.....	4638349	1	16.75
54	1011W-69W.....	green.....	4638350	1	16.75
54	1011W-69W.....	brown.....	4638351	1	16.75
54	1211-69W-71.....	black.....	4636644	1	9.75
54	1262F.....	maroon.....	4638356	1	16.75

NOTE: Front floor mats in colors other than shown may be obtained on special orders.

ALL	ALL.....	UNIT, blue.....	986765	A.R.	9.90
ALL	ALL.....	UNIT, red.....	986766	A.R.	9.90
ALL	ALL.....	UNIT, green.....	986767	A.R.	9.90
ALL	ALL.....	UNIT, black.....	986768	A.R.	9.90
ALL	ALL.....	UNIT, brown.....	986937	A.R.	9.90

#### 15.290 MAT, Door Opening Step (rubber)

41-48	1019-61-1219.....	left, rear, Ident. No. P-21947.....	4550511	1	2.18
42-48	1007.....	right, front, Ident. No. P-21962.....	4147886	1	3.62
42-48	1007.....	left, front, Ident. No. P-21963.....	4147887	1	3.62
41-48	1011-27-27B-67-1211-27-27B-27P.....	right, front, Ident. No. P-21956.....	4147880	1	3.20
41-48	1011-27-27B-67-1211-27-27B-27P.....	left, front, Ident. No. P-21957.....	4147881	1	3.20
41-48	1019-61-1219-71.....	right, front, Ident. No. P-21940.....	4550508	1	2.52
41-48	1019-61-1219-71.....	left, front, Ident. No. P-21941.....	4550509	1	2.52
41-48	1019-61-1219.....	right, rear, Ident. No. P-21946.....	4550510	1	2.18
41-48	1069.....	right, front, Ident. No. P-21952.....	4147876	1	3.20
41-48	1069.....	left, front, Ident. No. P-21953.....	4147877	1	3.20
41-48	1069.....	right, rear, Ident. No. P-21954.....	4147878	1	2.60
41-48	1069.....	left, rear, Ident. No. P-21955.....	4147879	1	2.80

#### 15.292 MAT, Rear of Front Seat (rubber)

41-48	1027B-1227B.....	(on package platform).....	4133469	1	3.32
41-48	1027B-1227B-27P.....	(on floor).....	4133489	1	2.02
41-48	SDL.....	(on floor).....	4133470	1	3.38
49-51	STA. WAG.....	(on floor).....	4606739	1	7.20
49-51	1227B.....	(on floor).....	4569259	1	4.40

49-52	SDL.....	(on floor).....	4611279	1	6.91
49-52	1227B.....	(on package platform).....	4569261	1	5.17
52	STA. WAG.....	(on floor).....	4611782	1	9.75
52	1227B.....	(on floor).....	4607859	1	6.95
53-54	1211WB-27B.....	(on floor).....	4618831	1	6.95
53	1227B.....	(on package platform).....	4618843	1	5.17
53-54	SDL.....	(on floor).....	4618832	1	7.45
54	1211WB.....	(on package platform).....	4645132	1	6.90

**15.294 MAT, Rear Compartment Floor (rubber)**

41-48	1007-11-19-69-1211-19.....		3700154	1	3.95
41-47	1027-67-1227.....		4133487	1	3.72
48	1027-67-1227.....		4162080	1	4.48
49-52	PASS.....		4591535	1	8.57
53-54	1011-69-1211-11W-69-69W.....		4618836	1	7.40
53	COUPES.....				
54	1011WA-37D-1211WB.....		4618837	1	7.65
53	CONV.....		4618838	1	7.95

**15.300 CARPET, Front Floor**

50-52	BEL AIR.....	red (comb. 185, 235).....	4612435	1	38.68
50-52	BEL AIR.....	blue (comb. 187, 237).....	4609936	1	38.68
50-52	BEL AIR.....	green (comb. 186, 236).....	4609937	1	38.68
50-52	BEL AIR.....	black (comb. 189, 239).....	4589226	1	38.68
52	BEL AIR.....	brown (comb. 234).....	4609938	1	38.68
52	BEL AIR.....	coral (comb. 240).....	4612997	1	38.68
53	1011WD-69WD.....	gray (comb. 245, 291).....	4632217	1	33.50
53	1011WD-37D-69WD.....	blue (comb. 246, 257).....	4632218	1	33.50
53	1011WD-37D-69WD.....	green (comb. 247, 256, 292).....	4632219	1	33.50
53	1011WD-37D-69WD.....	brown (comb. 248, 258, 254).....	4632220	1	33.50
53	1067D.....	brown (comb. 264).....	4632227	1	33.50
53	1067D.....	red (comb. 265).....	4632224	1	33.50
53	1067D.....	green (comb. 266).....	4632226	1	33.50
53	1067D.....	blue (comb. 267).....	4632225	1	33.50
53	1067D.....	yellow (comb. 268).....	4632229	1	33.50
53	1067D.....	black (comb. 269).....	4632228	1	33.50
53	1037D.....	yellow (comb. 258).....	4632222	1	33.50
53	1037D.....	black (comb. 259).....	4632223	1	33.50
54	1011WA-37D.....	black (comb. 319, 334).....	4640398	1	33.50
54	1011WD-69WD.....	gray (comb. 309).....	4636614	1	33.50
54	1011WA-11WD-37D-69WD.....	blue (comb. 310, 314, 332).....	4636615	1	33.50
54	1011WA-11WD-37D-69WD.....	green (comb. 311, 315, 333).....	4636616	1	33.50
54	1011WD-37D-69WD.....	tan (comb. 318, 330).....	4636617	1	33.50
54	1011WD-37D-69WD.....	turquoise (comb. 317, 331).....	4640397	1	33.50
54	CONV.....	red (comb. 325).....	4636622	1	33.50
54	CONV.....	green (comb. 326).....	4636620	1	33.50
54	CONV.....	blue (comb. 327).....	4636619	1	33.50
54	CONV.....	beige (comb. 328).....	4636621	1	33.50
54	CONV.....	black (comb. 329).....	4640399	1	33.50
54	CONV.....	tan (comb. 337).....	4640400	1	33.50
54	SPT. CPE.....	red (comb. 316).....	4636618	1	33.50

NOTE: When using above parts on conventional transmission jobs it will be necessary to cut a hole for clutch pedal.

**15.306 CARPET, Rear Floor**

41-48	1027-1227.....	(comb. 115-6-7-127-8-9-130-1-150-1-2).....	4163251	1	14.43
41-47	1007-69-1211-19.....	(comb. 115-6-7, 126-9, 131-2),			
41-48	1011-19.....	(comb. 116-7, 127-8, 130-1, 151-2),			
48	1007-69.....	(comb. 153).....	4164772	1	17.83
48	1211-19.....	(comb. 150).....	4163392	1	14.43
49	1007.....	(comb. 158).....	4571178	1	21.06
49	1007.....	(comb. 157).....	4571179	1	21.06
49	1008.....	(comb. 158).....	4571180	1	22.80
49	1008.....	(comb. 157).....	4571181	1	22.80
49	1011.....	(comb. 158).....	4571182	1	22.22
49	1011.....	(comb. 157).....	4571183	1	22.22

49-52	1069	(comb. 157, 158, 171, 201, 211)	4618166	1	22.80
49	1207	(comb. 156)	4571492	1	19.05
49-51	1208	(comb. 156, 170, 200)	4582729	1	20.20
49	1211	(comb. 156)	4571494	1	19.05
49-51	1289	(comb. 156, 170, 200)	4582732	1	20.20
49	1027	(comb. 158)	4571184	1	20.49
49	1027	(comb. 157)	4571185	1	20.49
49	1227	(comb. 156)	4571495	1	17.89
50-51	1207	(comb. 170, 200)	4582728	1	19.05
50-51	1227	(comb. 170, 200)	4582730	1	17.89
50-51	1211	(comb. 170, 200)	4582731	1	19.05
50-51	1007	(comb. 171, 201)	4582786	1	20.98
50-51	1008	(comb. 171, 201)	4582787	1	22.80
50-51	1011	(comb. 171, 201)	4582788	1	22.22
50-51	1027	(comb. 171, 201)	4582789	1	20.49
50-52	BEL AIR	(comb. 185, 235)	4618384	1	23.85
50-52	BEL AIR	(comb. 187, 237)	4618385	1	23.85
50-52	BEL AIR	(comb. 186, 236)	4618383	1	23.85
50-52	BEL AIR	(comb. 189, 239)	4618382	1	23.85
52	1007	(comb. 211)	4618157	1	20.98
52	1007	(comb. 212)	4618153	1	20.98
52	1007	(comb. 213)	4618150	1	20.98
52	1011	(comb. 211)	4618158	1	22.22
52	1011	(comb. 212)	4618154	1	22.22
52	1011	(comb. 213)	4618151	1	22.22
52	1027	(comb. 211)	4618159	1	20.49
52	1027	(comb. 212)	4618155	1	20.49
52	1027	(comb. 213)	4618162	1	20.49
52	1069	(comb. 212)	4618168	1	22.80
52	1069	(comb. 213)	4618167	1	22.80
52	BEL AIR	(comb. 234)	4618381	1	23.85
52	BEL AIR	(comb. 240)	4618386	1	23.85
53	1011	gray (comb. 241, 245, 291)	4618428	1	22.75
53	1011	blue (comb. 242, 246)	4619200	1	22.75
53	1011	green (comb. 243, 247, 292)	4619201	1	22.75
53	1011	brown (comb. 244, 248)	4619202	1	22.75
53	1027	gray (comb. 241)	4619206	1	21.10
53	1027	blue (comb. 242)	4619207	1	21.10
53	1027	green (comb. 243)	4619208	1	21.10
53	1027	brown (comb. 244)	4619209	1	21.10
53	1069	gray (comb. 241, 245, 291)	4618429	1	23.50
53	1069	blue (comb. 242, 246)	4619203	1	23.50
53	1069	green (comb. 243, 247, 292)	4619204	1	23.50
53	1069	brown (comb. 244, 248)	4619205	1	23.50
53	1067D	brown (comb. 264)	4623467	1	23.85
53	1067D	red (comb. 265)	4623464	1	23.85
53	1067D	green (comb. 266)	4623466	1	23.85
53	1067D	blue (comb. 267)	4623465	1	23.85
53	1067D	yellow (comb. 268)	4623469	1	23.85
53	1067D	black (comb. 269)	4623468	1	23.85
53	1037	gray (comb. 241)	4625288	1	23.85
53	SPT. CPE	blue (comb. 242, 257)	4621260	1	23.85
53	SPT. CPE	green (comb. 243, 256)	4621261	1	23.85
53	SPT. CPE	brown (comb. 244, 254)	4621262	1	23.85
53	1037D	yellow (comb. 258)	4621263	1	23.85
53	1037D	black (comb. 259)	4618927	1	23.85
54	1011WD	tan (comb. 330)	4640401	1	24.50
54	1011WD	turquoise (comb. 331)	4640402	1	24.50
54	1011W-11WD	gray (comb. 304, 309)	4636593	1	24.50
54	1011	blue (comb. 305, 310, 332)	4636594	1	24.50
54	1011	green (comb. 306, 311, 333)	4636595	1	24.50
54	1011W	brown (comb. 307)	4636596	1	24.50
54	1069	gray (comb. 304, 309)	4636597	1	25.50
54	1069	blue (comb. 305, 310)	4636598	1	25.50
54	1069	green (comb. 306, 311)	4636599	1	25.50
54	1069W	brown (comb. 307)	4636600	1	25.50



54	1069WD	tan (comb. 330)	4640407	1	25.50
54	1069WD	turquoise (comb. 331)	4640408	1	25.50
54	CONV.	red (comb. 325)	4636612	1	24.50
54	CONV.	green (comb. 325)	4636610	1	24.50
54	CONV.	blue (comb. 327)	4636609	1	24.50
54	CONV.	brown (comb. 328)	4636611	1	24.50
54	CONV.	black (comb. 329)	4640405	1	24.50
54	CONV.	turquoise (comb. 337)	4640406	1	24.50
54	SPT. CPE.	blue (comb. 314)	4636605	1	24.50
54	SPT. CPE.	green (comb. 315)	4636606	1	24.50
54	SPT. CPE.	red (comb. 316)	4636608	1	24.50
54	SPT. CPE.	turquoise (comb. 317)	4640404	1	24.50
54	SPT. CPE.	brown (comb. 318)	4636607	1	24.50
54	SPT. CPE.	black (comb. 319)	4640403	1	24.50

**MAT, Rear Floor**

30-48	PASS.	rubber, universal—jute backed (36 x 37)	603454	1	4.82
49-52	1269	rubber, black, heavy duty (taxi and police jobs)	4583458	1	11.32
49-52	CONV.	rubber (black)	4607858*	1	10.28
50-52	STA. WAG.	linoleum, rear floor deck	4570200	1	18.91
50-52	STA. WAG.	linoleum, center seat floor	4570202	1	7.97
50-52	STA. WAG.	linoleum, rear floor deck riser	4570204	1	1.83
50-52	STA. WAG.	linoleum, spare tire board	4576746	1	5.55
52	1211-27	rubber	4618153	1	14.70
52	1269	rubber	4618154	1	15.00
53	1211,				
54	1211W	rubber	4618834	1	10.95
53	1227	rubber	4618835	1	10.90
53-54	1269-69W	rubber	4618833	1	10.95
53-54	1062-62D	rubber	4618841	1	14.95
53-54	1062F	rubber	4624573	1	14.95
53	1062F	rubber, under rear seat	4623910	1	10.90
53	1262F	rubber	4618840	1	12.65
54	1262F	rubber, under rear seat	4638297	1	10.90
53-54	1069W-1269	rubber, heavy duty (taxi and police jobs)	4626304	1	11.75
53	1062-62F	linoleum (tail gate) (straw)	4619837	1	11.85
53	1262F	linoleum (tail gate) (green)	4619838	1	11.85
53	1062	linoleum (center seat floor) (straw)	4619835	1	11.50
53	1062	linoleum (rear floor deck) (straw)	4619833	1	15.50
53	1062	linoleum (deck riser) (straw)	4619834	1	2.80
53	1062-62F	linoleum (spare tire board) (straw)	4619836	1	8.25
53	1062F	linoleum (rear floor deck) (straw)	4624027	1	14.50
53	1062F	linoleum (rear of folding seat back) (straw)	4624026	1	12.60
53	1062F	linoleum (bottom folding cushion) (straw)	4624025	1	11.00
53	1262F	linoleum (rear of folding seat back) (green)	4619847	1	12.60
53	1262F	linoleum (bottom folding cushion) (green)	4619849	1	11.00
53	1262F	linoleum (rear floor deck) (green)	4620231	1	14.50
53	1262F	linoleum (spare tire board) (green)	4620232	1	8.25
54	1262F	rubber, maroon	4638296	1	15.75
54	1062D	linoleum (rear floor deck) (beige)	4638282	1	16.50
54	1062D	linoleum (deck riser) (beige)	4638283	1	2.80
54	1062D	linoleum (center seat front) (beige)	4638284	1	12.50
54	1062F	linoleum (rear floor deck) (beige)	4638287	1	15.50
54	1062F	linoleum (bottom folding cushion) (beige)	4638288	1	11.95
54	1062F	linoleum (rear of fldg. seat back) (beige)	4638289	1	14.25
54	1062D-62F	linoleum (spare tire board) (beige)	4638285	1	8.75
54	1062D-62F	linoleum (tail gate) (beige)	4638286	1	12.65
54	1262F	linoleum (rear floor deck) (maroon)	4638291	1	15.50
54	1262F	linoleum (spare tire board) (maroon)	4638292	1	9.35
54	1262F	linoleum (tail gate) (maroon)	4638293	1	12.65
54	1262F	linoleum (rear of fldg. seat back) (maroon)	4638294	1	13.65
54	1262F	linoleum (bottom folding cushion) (maroon)	4638295	1	12.25

\*NOTE: Rear floor mats in colors other than black may be obtained on special order.

**15.388 HOOK, Coat**

39-48	PASS. (exc. 1019-67-69-1271),			
49-52	PASS. (exc. CONV., B-A, STA. WAG., SDL.),			
53-54	PASS. (exc. CONV., SPT. CPE., STA. WAG., SDL.).....		4601476	2 .17
41-46	1019-69.....		4115079	2 .18
90-92	PASS. (exc. B-A, STA. WAG., SDL.)			
53	PASS. (exc. CONV., SPT. CPE., STA. WAG., SDL.).....	HOLDER UNTT, coat hanger (card of 12)....	986537	A.R. (8.895)

**15.390 STRAP, Assist**

41	1019.....	(comb. 127).....	4129410	2 2.02
41	1019.....	(comb. 128).....	4129411	2 2.02
42-47	1007,			
53	1011-27,			
54	1011W-11WA.....	(comb. 132, 244, 248, 307).....	4618849	2 2.02
40	1219,			
40-42	1019,			
41	1069.....	(comb. 87, 88, 97, 116, 117, 126, 131)...	4132893	2 2.02
42-47	1069.....	(comb. 132).....	4132891	2 2.02
42-48	1019.....	(comb. 130, 151, 152),		
48	1069.....	(comb. 153).....	4163163	2 2.02
40-47	1027.....	(comb. 87-8, 97, 116-7, 130-1, 141),		
48	1007-27.....	(comb. 151, 152, 153),		
49	1007-11-27.....	(comb. 158).....	4569471	2 2.02
49	1007-11-27.....	(comb. 157).....	4569073	2 2.02
50	1007-11-27.....	(comb. 171).....	4583387	2 2.02
51	1007-11-27.....	(comb. 201).....	4592093	2 2.02
52	1007-11-27.....	(comb. 211).....	4595464	2 2.02
52-53	1007-11-27.....	(comb. 212, 242, 246).....	4612391	2 2.02
52-53	1007-11-27.....	(comb. 213, 243, 247, 292).....	4610980	2 1.95
53	1011-27.....	(comb. 241, 245, 291).....	4618848	2 2.02
54	1011W-11WD.....	(comb. 304, 309).....	4634416	2 1.95
54	1011.....	(comb. 305, 310, 332).....	4634417	2 1.95
54	1011.....	(comb. 306, 311, 333).....	4634418	2 1.95
54	1011WD.....	(comb. 331).....	4640330	2 1.95

**15.392 SCREW-SPRING-RETAINER, Assist Strap to Body**

40	1219.....	escutcheon (No. 10-32 x 1 3/8 binding head, with shoulder).....	4101807	2 .12
40	1219,			
40-48	1019-69.....	SPRING, rotatable assist strap.....	4116219	2 .06
40	1219,			
40-48	1019-69.....	RETAINER, assist strap spring.....	4116670	2 .25

**15.394 ESCUTCHEON-WASHER, Assist Strap**

40	1019-1219,			
41-48	1019-69.....	snap on type.....	4101802	2 .32
40-48	1007-27,			
49-54	1007-11-27.....	w/two screw holes.....	4095508	2 .42
40	1019-1219,			
41-48	1019-69.....	WASHER, assist strap.....	120423	2 (8.932)

**15.490 MATERIAL, Top Covering**

40-51	CONV.....	tan (56 wide).....	4164699	A.R. 11.72 yd
48-54	CONV.....	black (56 wide).....	4164700	A.R. 11.72 yd
52	CONV.....	tan (56 wide).....	4186261	A.R. 11.40 yd
52	CONV.....	gray (56 wide).....	4177956	A.R. 11.40 yd
52-53	CONV.....	green (56 wide).....	4189828	A.R. 11.40 yd
52-53	CONV.....	blue (56 wide).....	4189827	A.R. 11.40 yd
53-54	CONV.....	tan (56 wide).....	4197610	A.R. 11.40 yd
54	CONV.....	green (56 wide).....	4208889	A.R. 12.35 yd
54	CONV.....	blue (56 wide).....	4208896	A.R. 12.35 yd

**TRIM, Roof Covering (Imitation Leather)**

46-49	STA. WAG.....	green (cut to size).....	4164597	1 39.13
-------	---------------	--------------------------	---------	---------

**15.492 FELT, Body Lining Deadener**

35-39 PASS..... (35 wide x 25 yard roll)..... 121126 A.R. .35 yd

**16.800 UPHOLSTERY, Seat Cushion, Back Door, and Sidewall**

46-48	CONV.....	cushions and back (comb. 143-4-5-6-7-8) ..	4160235	A.R.	17.08 yd
49-50	CONV.....	cushion and back (comb. 160, 161, 162, 167, 195, 196, 197, 199) .....	4168314	A.R.	16.52 yd
49	1007-8-11-27-69 .....	cushion and back (comb. 158).....	4168402	A.R.	15.38 yd
49	1007-8-11-27-69 .....	sidewalls (comb. 158—light) .....	4168403	A.R.	11.40 yd
49	1007-8-11-27-69 .....	sidewalls (comb. 158—dark).....	4168404	A.R.	11.40 yd
49	Ser. 1200 (exc. SDL).....	cushion and back (comb. 156).....	4168410	A.R.	12.53 yd
49	1007-8-1207-8-11-27-27B-69.....	sidewalls (comb. 156, 157—light).....	4168411	A.R.	11.40 yd
49	1007-8-11-27-69 .....	sidewalls (comb. 157—dark).....	4168807	A.R.	11.40 yd
50	CONV. BEL AIR.....	grey cord—cushion and back (comb. 175-6-7-9, 185-6-7-9).....	4174009	A.R.	15.38 yd
51	BEL AIR.....	sidewalls (comb. 170, 171, 200), dark grey.....	4174020	A.R.	11.40 yd
50-52	1007-08-11-27-69.....	cushions and backs (comb. 171, 201, 211), dark grey .....	4174248	A.R.	15.38 yd
50	PASS. (exc. CONV., B-A, STA. WAG., SDL).....	sidewalls (comb. 170, 171) light grey.....	4174249	A.R.	11.40 yd
50	Ser. 1200 (exc. SDL).....	cushions and backs (comb. 170).....	4174253	A.R.	12.53 yd
51	1007-08-11-27-69.....	cushions and backs (comb. 201) light grey.....	4180745	A.R.	15.38 yd
51	PASS. (exc. CONV., B-A, STA. WAG., SDL).....	sidewalls (comb. 200, 201) light grey.....	4180780	A.R.	11.40 yd
51	Ser. 1200 (exc. SDL).....	cushions and backs (comb. 200).....	4180783	A.R.	14.23 yd
52	1007-11-27-69.....	cushions and backs (comb. 211).....	4188810	A.R.	15.38 yd
52	1007-11-27-69.....	cushions and backs (comb. 212).....	4188811	A.R.	15.38 yd
52	1007-11-27-69.....	cushions and backs (comb. 213).....	4186164	A.R.	15.38 yd
52	Ser. 1200 (exc. SDL).....	cushions and backs (comb. 210).....	4188809	A.R.	14.23 yd
52	1007-11-27-69.....	sidewalls (comb. 211).....	4183465	A.R.	11.40 yd
52	1007-11-27-69.....	sidewalls (comb. 212).....	4186167	A.R.	11.40 yd
52	1007-11-27-69.....	sidewalls (comb. 213).....	4186168	A.R.	11.40 yd
52	Ser. 1200 (exc. SDL).....	sidewalls (comb. 210).....	4189902	A.R.	11.40 yd
52	1007-11-27-69.....	seat back, lower (comb. 212).....	4186165	A.R.	15.38 yd
52	1007-11-27-69.....	seat back, lower (comb. 213).....	4186166	A.R.	15.38 yd
52	BEL AIR.....	cushions and backs (comb. 234).....	4186173	A.R.	15.38 yd
52	BEL AIR.....	cushions and backs (comb. 235, 239).....	4186052	A.R.	15.38 yd
52	BEL AIR.....	cushions and backs (comb. 236).....	4186172	A.R.	15.38 yd
52	BEL AIR.....	cushions and backs (comb. 237).....	4186171	A.R.	15.38 yd
52	BEL AIR.....	cushions and backs (comb. 240).....	4189900	A.R.	15.38 yd
53	1011W-27-37-69W.....	light gray, cushion and backs (comb. 241) (62 wide).....	4191658	A.R.	15.95 yd
53	1011W-27-37-69W.....	light blue, cushion and backs (comb. 242) (62 wide).....	4191659	A.R.	15.95 yd
53	1011W-27-37-69W.....	light green, cushion and backs (comb. 243).....	4191668	A.R.	15.95 yd
53	1011W-27-37-69W.....	light tan, cushions and backs (comb. 244).....	4191669	A.R.	15.95 yd
53	1011W-27-37-69W.....	dark gray, backs and facings (comb. 241) (61 wide).....	4191660	A.R.	15.95 yd
53	1011W-27-37-69W.....	dark blue, backs and facings (comb. 242) (61 wide).....	4191661	A.R.	15.95 yd
53	1011W-27-37-69W.....	dark green, backs and facings (comb. 243) (61 wide).....	4191670	A.R.	15.95 yd
53	1011W-27-37-69W.....	brown, backs and facings (comb. 244) (61 wide).....	4191671	A.R.	15.95 yd
53	1011W-27-37-69W.....	light gray, sidewalls (comb. 241) (48 wide).....	4191662	A.R.	10.95 yd
53	1011W-27-37-69W.....	light blue, sidewalls (comb. 242) (48 wide).....	4191663	A.R.	10.95 yd
53	1011W-27-37-69W.....	light green, sidewalls (comb. 243) (48 wide).....	4191672	A.R.	10.95 yd
53	1011W-27-37-69W.....	light tan, sidewalls (comb. 244) (48 wide).....	4191673	A.R.	10.95 yd
53	1011W-27-37-69W.....	dark gray, sidewalls (comb. 241) (56 wide).....	4191664	A.R.	10.95 yd
53	1011W-27-37-69W.....	dark blue, sidewalls (comb. 242) (56 wide).....	4191665	A.R.	10.95 yd

53	1011W-27-37-69W	dark green, sidewalls (comb. 243) (56 wide)	4191674	A.R.	10.95 yd
53	1011W-27-37-69W	brown, sidewalls (comb. 244) (56 wide)	4191675	A.R.	10.95 yd
53	1011WD-69WD	light gray ladder pattern, cushions and backs (comb. 245) (60 wide)	4191634	A.R.	15.95 yd
53	1011WD-69WD	light blue ladder pattern, cushions and backs (comb. 246) (60 wide)	4191635	A.R.	15.95 yd
53	1011WD-69WD	light green, cushions and backs (comb. 247) (60 wide)	4191646	A.R.	15.95 yd
53	1011WD-69WD	light brown, cushions and backs (comb. 248) (60 wide)	4191647	A.R.	15.95 yd
53	1011WD-69WD	light gray, cushions and backs (comb. 245, 291) (58 wide)	4191636	A.R.	17.95 yd
53	1011WD-69WD	light blue, cushions and backs (comb. 246) (58 wide)	4191637	A.R.	17.95 yd
53	1011WD-69WD	light green, cushions and backs (comb. 247, 292) (58 wide)	4191648	A.R.	17.95 yd
53	1011WD-69WD	light tan, cushions and backs (comb. 248) (58 wide)	4191649	A.R.	17.95 yd
53	1011WD-69WD	dark gray, sidewalls (comb. 245, 291) (56 wide)	4191801	A.R.	10.95 yd
53	1011WD-69WD	dark blue, sidewalls (comb. 246) (56 wide)	4191802	A.R.	10.95 yd
53	1011WD-69WD	dark green, sidewalls (comb. 247, 292) (56 wide)	4191805	A.R.	10.95 yd
53	1011WD-69WD	dark brown, sidewalls (comb. 248) (56 wide)	4191806	A.R.	10.95 yd
53	1011WD-69WD	light gray, sidewalls (comb. 245, 291) (59 wide)	4191803	A.R.	10.95 yd
53	1011WD-69WD	light blue, sidewalls (comb. 246) (59 wide)	4191804	A.R.	10.95 yd
53	1011WD-69WD	light green, sidewalls (comb. 247, 292) (59 wide)	4191807	A.R.	10.95 yd
53	1011WD-69WD	dark brown, sidewalls (comb. 248) (59 wide)	4191808	A.R.	10.95 yd
53	1211-27-27B-69	light gray, cushions and backs (comb. 249) (62 wide)	4191630	A.R.	11.95 yd
53	1211-27-69	sidewalls (comb. 249) (56 wide)	4191631	A.R.	9.85 yd
53	1037D	light tan, cushions and backs (comb. 254) (56 wide)	4191837	A.R.	15.95 yd
53	1037D	light green, cushions and backs (comb. 256) (56 wide)	4191833	A.R.	15.95 yd
53	1037D	light blue, cushions and backs (comb. 257) (56 wide)	4191832	A.R.	15.95 yd
53	1037D	yellow and white, cushions and backs (comb. 258) (56 wide)	4191838	A.R.	15.95 yd
53	1037D	black and white, cushions and backs (comb. 259) (56 wide)	4191839	A.R.	15.95 yd
54	1011W-69W	light gray pattern, cushions and backs (comb. 304) (62 wide)	4209005	A.R.	15.95 yd
54	1011W-69W	light blue pattern, cushion and backs (comb. 305) (62 wide)	4209006	A.R.	15.95 yd
54	1011W-69W	light green pattern, cushion and backs (comb. 306) (62 wide)	4209013	A.R.	15.95 yd
54	1011W-69W	light tan pattern, cushion and backs (comb. 307) (62 wide)	4209014	A.R.	15.95 yd
54	1011W-69W	dark gray plain, facings and inserts (comb. 304) (56 wide)	4209007	A.R.	15.95 yd
54	1011W-69W	dark blue plain, facings and inserts (comb. 305) (56 wide)	4209008	A.R.	15.95 yd
54	1011W-69W	dark green plain, facings and inserts (comb. 306) (56 wide)	4209015	A.R.	15.95 yd
54	1011W-69W	dark brown plain, facings and inserts (comb. 307) (56 wide)	4209016	A.R.	15.95 yd
54	1011W-69W	light gray, sidewalls (comb. 304) (52 wide)	4209009	A.R.	9.50 yd
54	1011W-69W	light blue, sidewalls (comb. 305) (52 wide)	4209010	A.R.	9.50 yd
54	1011W-69W	light green, sidewalls (comb. 306) (52 wide)	4209017	A.R.	9.50 yd
54	1011W-69W	light tan, sidewalls (comb. 307) (52 wide)	4209018	A.R.	9.50 yd
54	1011WD-69WD	dark gray pattern, cushion and backs (comb. 309) (56 wide)	4208987	A.R.	17.95 yd



54	1011WD-69WD.....	dark blue pattern, cushion and backs (comb. 310) (56 wide).....	4208988	A.R.	17.95 yd
54	1011WD-69WD.....	dark green pattern, cushion and backs (comb. 311) (56 wide).....	4208993	A.R.	17.95 yd
54	1011WD-69WD.....	beige pattern, cushion and backs (comb. 330) (56 wide).....	4208994	A.R.	17.95 yd
54	1011WD-69WD.....	turquoise pattern, cushion and backs (comb. 331) (56 wide).....	4208995	A.R.	17.95 yd
54	1011WD-69WD.....	dark gray, sidewalls (comb. 309) (60 wide)	4208989	A.R.	10.95 yd
54	1011WD-69WD.....	dark blue, sidewalls (comb. 310) (60 wide)	4208990	A.R.	10.95 yd
54	1011WD-69WD.....	dark green, sidewalls (comb. 311) (60 wide).....	4208996	A.R.	10.95 yd
54	1011WD-69WD.....	beige, sidewalls (comb. 330) (60 wide)	4208997	A.R.	10.95 yd
54	1011WD-69WD.....	turquoise, sidewalls (comb. 331) (60 wide)	4208998	A.R.	10.95 yd
54	1211-69W.....	light gray, cushion and backs (comb. 300) (62 wide).....	4208977	A.R.	11.95 yd
54	SPT. CPE.....	dark blue pattern, cushion and backs (comb. 314) (54½ wide).....	4208981	A.R.	16.95 yd
54	SPT. CPE.....	dark green pattern, cushion, facings and inserts (comb. 315) (54½ wide).....	4208982	A.R.	16.95 yd
54	SPT. CPE.....	red pattern, cushion, facings and inserts (comb. 316) (54½ wide).....	4208983	A.R.	16.95 yd
54	SPT. CPE.....	turquoise pattern, cushion, facings and inserts (comb. 317) (54½ wide).....	4208984	A.R.	16.95 yd
54	SPT. CPE.....	beige pattern, cushion, facings and inserts (comb. 318) (54½ wide).....	4208985	A.R.	16.95 yd
54	SPT. CPE.....	black pattern, cushion, facings and inserts (comb. 319) (54½ wide).....	4208986	A.R.	16.95 yd

#### HEADLINING

54	1011W-11WD-69-1211-69W.....	light gray (comb. 300, 304, 309) (55¼ wide).....	4208856	A.R.	4.85 yd
54	1011W-11WD-69.....	light blue (comb. 305, 310) (55¼ wide)	4208924	A.R.	4.85 yd

#### 15.506 IMITATION LEATHER

42-49	CONV.....	sidewalls and back of front seat backs, red (comb. 136, 145-8, 160).....	4133771	A.R.	4.55 yd
42-47	Ser. 1200 (exc. SDL).....	bottom of doors and seats (comb. 129, 151, 152).....	4163180	A.R.	3.68 yd
48	1011-19-27.....	bottom of doors and seats (comb. 183)...	4163861	A.R.	3.68 yd
48	1007-69.....	bottom of doors (comb. 156, 157, 158)	4168416	A.R.	6.72 yd
49	PASS. (exc. CONV., STA. WAG., SDL)...	cushions and backs (comb. 163).....	4168794	A.R.	7.42 yd
49-51	SDL.....	sidewalls (comb. 166, 218).....	4169262	A.R.	6.72 yd
49-52	STA. WAG.....	cushions and backs (comb. 166).....	4168804	A.R.	7.42 yd
49-50	STA. WAG.....	bottoms of doors (comb. 170, 171, 200, 201, 210, 211),			
50-52	PASS. (exc. CONV., B.A., STA. WAG., SDL).....	cushions and backs (comb. 216).....	4186290	A.R.	7.42 yd
52	SDL.....	doors, sidewalls and front seat backs—red (comb. 175, 185, 195, 205).....	4174011	A.R.	6.72 yd
50-51	CONV., BEL AIR.....	doors, sidewalls and front seat backs—blue (comb. 177, 187, 197, 207).....	4174707	A.R.	6.72 yd
50-51	CONV., BEL AIR.....	doors, sidewalls and front seat backs—green (comb. 176, 186, 196, 206).....	4174708	A.R.	6.72 yd
50-51	CONV., BEL AIR.....	doors, sidewalls and front seat backs—black (comb. 179, 189, 199, 209).....	4174709	A.R.	6.72 yd
51	CONV.....	upper door sections, quarters and quarter arm rests (comb. 205, 6, 7, 9).....	4180741	A.R.	7.28 yd
51-52	STA. WAG.....	cushions and backs (comb. 202, 218).....	4180742	A.R.	8.48 yd
52	CONV., BEL AIR.....	upper door sections, rear quarters and front seat backs (comb. 224, 234).....	4186123	A.R.	6.72 yd
52	CONV., BEL AIR.....	upper door sections, rear quarters (comb. 225, 229, 235, 239).....	4186265	A.R.	6.72 yd /
52	CONV., BEL AIR.....	upper door sections, rear quarters (comb. 226, 236).....	4189670	A.R.	6.72 yd
52	CONV., BEL AIR.....	upper door sections, rear quarters (comb. 227, 237).....	4189667	A.R.	6.72 yd

52	BEL AIR.....	upper door sections, rear quarters (comb. 240).....	4190309	A.R.	6.72 yd
52	CONV., BEL AIR.....	lower door sections, quarter arm rests (comb. 224, 234).....	4189666	A.R.	6.72 yd
52	CONV., BEL AIR.....	lower door sections, quarter arm rests (comb. 225, 235).....	4186284	A.R.	6.72 yd
52	CONV., BEL AIR.....	lower door sections, quarter arm rests (comb. 226, 236).....	4186111	A.R.	6.72 yd
52	CONV., BEL AIR.....	lower door sections, quarter arm rests (comb. 227, 237).....	4186110	A.R.	6.72 yd
52	CONV., BEL AIR.....	lower door sections, quarter arm rests (comb. 229, 239).....	4186112	A.R.	6.72 yd
52	BEL AIR.....	lower door sections, quarter arm rests (comb. 240).....	4190310	A.R.	6.72 yd
52	Ser. 1200 (excl. SDL).....	bottom of doors (comb. 210).....	4190256	A.R.	6.72 yd
52	1007-11-27-69.....	bottom of doors (comb. 212).....	4189864	A.R.	6.72 yd
52	1007-11-27-69.....	bottom of doors (comb. 213).....	4189740	A.R.	6.72 yd
53	1011W-27-37-69W.....	bottom of drs. and qtrs. (comb. 241).....	4191666	A.R.	6.72 yd
53	1011W-27-37-69W.....	bottom of drs. and qtrs. (comb. 242).....	4191667	A.R.	6.72 yd
53	1011W-27-37-69W.....	bottom of drs. and qtrs. (comb. 243).....	4191676	A.R.	6.72 yd
53	1011W-27-37-69W.....	bottom of drs. and qtrs. (comb. 244).....	4191677	A.R.	6.72 yd
53	1011WD-69WD.....	drs. and qtrs., upr. and lwr. (comb. 245, 291) (50 wide).....	4191644	A.R.	6.72 yd
53	1011WD-69WD.....	drs. and qtrs., upr. and lwr. (comb. 246) (50 wide).....	4191645	A.R.	6.72 yd
53	1011WD-69WD.....	drs. and qtrs., upr. and lwr. (comb. 247, 292) (50 wide).....	4199165	A.R.	6.72 yd
53	1011WD-69WD.....	drs. and qtrs., upr. and lwr. (comb. 248) (50 wide).....	4191657	A.R.	6.72 yd
53	1211-27-27B-69.....	drs. and qtr. inserts (comb. 249) (48 wide).....	4191632	A.R.	6.72 yd
53	1211-27-27B-69.....	partial drs., seat wings, etc. (comb. 249) (50 wide).....	4191633	A.R.	6.72 yd
53	1067.....	fldg. top comp. (comb. 284).....	4197631	A.R.	4.10 yd
53	1067.....	fldg. top comp. (comb. 285).....	4197632	A.R.	4.10 yd
53	1067.....	fldg. top comp. (comb. 286).....	4191778	A.R.	4.10 yd
53	1067.....	fldg. top comp. (comb. 287).....	4191777	A.R.	4.10 yd
53	1067D.....	drs. and qtrs.—ctr. sect. (comb. 268),			
53	1037D.....	dr. btm. and ctr. sect. and back of back insert (comb. 258).....	4197528	A.R.	4.10 yd
53	1067D.....	cush. and back inserts (comb. 266).....	4197531	A.R.	11.60 yd
53	1067D.....	cush. and seat back insert (comb. 267).....	4197529	A.R.	11.60 yd
53	1067D.....	cush. and seat back inserts (comb. 268).....	4191821	A.R.	11.60 yd
53	1067D.....	cush. and seat back inserts, cushion cover —back bolsters (comb. 269, 334).....	4189887	A.R.	11.60 yd
54	1011WA.....	fldg. top comp. (comb. 264).....	4197534	A.R.	4.10 yd
53	1067D.....	fldg. top comp. (comb. 265).....	4197080	A.R.	4.10 yd
53	1067D.....	fldg. top comp. (comb. 266).....	4197532	A.R.	4.10 yd
53	1067D.....	fldg. top comp. (comb. 267).....	4197530	A.R.	4.10 yd
53	1067D.....	cushion and back insert (comb. 265).....	4197058	A.R.	11.60 yd
53	1037D.....	dr. bottoms and partial upper,			
53	1067D.....	doors and qtrs. upr. and lwr. (comb. 256, 265).....	4197523	A.R.	6.72 yd
53	1037D.....	dr. bottoms and partial upper,			
53	1067D.....	doors and qtrs. upr. and lwr. (comb. 257, 267).....	4197520	A.R.	6.72 yd
53	1037D.....	dr. bottoms—center section,			
53	1067D.....	doors and qtrs. upr. and lwr.,			
53	1062-62F.....	partial drs., rear qtrs., etc. (comb. 254, 264, 278).....	4197526	A.R.	6.72 yd
53	1037D.....	dr. bottoms and partial upper,			
53	1067D.....	doors and qtrs. upr. and lwr.,			
54	1011WA.....	door inserts—side wings,			
54	1211-69W.....	frt. and rr. cushion facings—frt. seat finish panel upr. and lwr.,			
54	CONV., SPT. CPE.....	doors frt. section—qtr. arm rest (comb. 259, 269, 300, 319, 329, 334).....	4173633	A.R.	6.72 yd

53	1037D	cushion and backs,			
53-54	1067D	back, bolster, top boot, etc.,			
54	1011WA	cushion and back bolsters,			
54	SPT. CPE	part. cushions and back facings,			
54	1062D-62F	cushion and back bolsters facings (comb. 256, 266, 315, 323, 324, 326, 333)....	4197521	A.R.	11.60 yd
53	1037D	cushion and backs,			
53	1067D	back bolster, top boot, etc.,			
54	1011WA	cushions and back bolsters,			
54	CONV.	partial cushions and backs,			
54	SPT. CPE	back bolster (comb. 257, 267, 314, 327, 332).....	4197518	A.R.	11.60 yd
53	1037D	cush. and backs,			
53	1067D	back bolster, top boot, etc. (comb. 258, 259, 265, 268, 269).....	4191811	A.R.	11.60 yd
53	1037D	drs. center and partial upper,			
53	1067D	dr. and qtrs. center,			
54	1011WA	door inserts—side wings,			
54	1011WD-69WD	doors lower and frt. section (comb. 256, 266, 333).....	4197522	A.R.	6.75 yd
53	1037D	drs. center and partial upper,			
53	1067D	drs. and qtrs. center,			
54	1011WA	door inserts—side wings,			
54	1011WD-69WD	doors, lwr. and frt. section (comb. 257, 267, 310, 332).....	4197519	A.R.	6.75 yd
53	1037D	drs. center and partial uprs.,			
53	1067D	drs. and qtrs. center (comb. 258, 259, 265, 268, 269).....	4191815	A.R.	6.72 yd
53-54	1062-62D-62F	seat cushions and seat back inserts (comb. 278, 280, 323, 324).....	4197224	A.R.	11.60 yd
53-54	1062-62D-62F	drs. and back of frt. seat—inserts (comb. 278, 280, 323, 324).....	4197226	A.R.	8.48 yd
53	1062-62F	drs.—partial, rr. qtrs., etc. (comb. 280)....	4197227	A.R.	6.72 yd
53	1062-62F	#2 and 3 seats, partial (comb. 278).....	4197569	A.R.	8.48 yd
53	1062-62F	#2 and 3 seats, partial (comb. 280).....	4197225	A.R.	8.48 yd
53	1262F	seat cush. and seat back, ctr. sect. drs. (comb. 277).....	4197035	A.R.	8.48 yd
53	1262F	frt. and rr. drs.—upr. and lwr., seat wings —lwr. (comb. 277).....	4197036	A.R.	6.72 yd
53	SDL	cush. and backs (comb. 276).....	4191798	A.R.	7.42 yd
53	SDL	partial drs.—lwr. and back of backs (comb. 276).....	4191799	A.R.	6.72 yd
54	1011W-69W	frt. dr. insert—rr. dr. upr. and lwr. (comb. 304).....	4209011	A.R.	7.75 yd
54	1011W-69W	frt. dr. insert—rr. dr. upr. and lwr. (comb. 305).....	4209012	A.R.	10.75 yd
54	1011W-69W	frt. dr. insert—rr. dr. upr. and lwr. (comb. 306).....	4209022	A.R.	7.75 yd
54	1011W-69W	frt. dr. insert—rr. dr. upr. and lwr. (comb. 307).....	4209023	A.R.	7.75 yd
54	1011W-69W	rr. dr. ctr.—frt. dr. partial (comb. 304)....	4208929	A.R.	6.75 yd
54	1011W-69W	rr. dr. ctr.—frt. dr. partial (comb. 307)....	4209020	A.R.	6.75 yd
54	1011W-69W	rr. dr. ctr.—frt. dr. partial,			
54	CONV.	drs. frt. section—qtr. arm rest,			
54	SPT. CPE	part. drs.—facings—rr. qtr. arm rest (comb. 305, 314, 327).....	4208900	A.R.	6.75 yd
54	1011W-69W	rr. dr. ctr.—frt. dr. partial,			
54	CONV.	drs. frt. section—qtr. arm rest,			
54	SPT. CPE	part. drs.—facings—rr. qtr. arm rest (comb. 306, 315, 326).....	4208901	A.R.	6.75 yd
54	1011WA-1211-69W	cushion and back facings (comb. 334)....	4208877	A.R.	9.25 yd
54	1011WA	cushion and back facings,			
54	SPT. CPE	seat back facings (comb. 314, 332).....	4208969	A.R.	9.25 yd
54	1011WA	cushion and back facings,			
54	SPT. CPE	seat back facings (comb. 315, 333).....	4208970	A.R.	9.25 yd
54	1011WD-69WD	drs. lwr. and frt. (comb. 309).....	4208949	A.R.	8.72 yd
54	1011WA-11WD-69WD	drs. lwr. and frt. (comb. 331, 332, 333, 334).....	4209004	A.R.	6.75 yd

54	1011WD-69WD.....	drs. lwr. and frt.,			
54	CONV.....	drs. frt. section—qtr. arm rest,			
54	SPT. CPE.....	frt. seat side—outer panel (comb. 318, 328, 330).....	4198810	A.R.	6.72 yd
54	1211-69W.....	drs. top and bottom (comb. 300).....	4208979	A.R.	6.25 yd
54	1211-69W.....	drs. ctr. section—back of frt. seat (comb. 300).....	4208980	A.R.	6.25 yd
54	CONV.....	cushions and backs partial (comb. 325).....	4208904	A.R.	10.75 yd
54	CONV.....	cushions and backs partial (comb. 326).....	4208920	A.R.	10.75 yd
54	CONV.....	cushions and backs partial (comb. 327).....	4208919	A.R.	10.75 yd
54	CONV.....	cushions and backs partial (comb. 328).....	4208908	A.R.	11.50 yd
54	CONV.....	cushions and backs partial (comb. 329).....	4208921	A.R.	10.75 yd
54	CONV.....	cushions and backs partial (comb. 337).....	4208906	A.R.	10.75 yd
54	CONV.....	cushions and backs upper and sides (comb. 328).....	4208905	A.R.	11.60 yd
54	CONV.....	folding top comp. (comb. 325).....	4208994	A.R.	4.50 yd
54	CONV.....	folding top comp. (comb. 326).....	4208903	A.R.	4.50 yd
54	CONV.....	folding top comp. (comb. 327).....	4208902	A.R.	4.50 yd
54	CONV.....	folding top comp. (comb. 328).....	4198812	A.R.	6.75 yd
54	CONV.....	folding top comp. (comb. 337).....	4208895	A.R.	4.50 yd
54	CONV.....	partial drs.—facings—rr. qtr. arm rest,			
54	SPT. CPE.....	partial drs.—qtr. arm rest (comb. 317, 337).....	4208912	A.R.	6.75 yd
54	CONV.....	drs. partial qtrs. upr. and ctr.,			
54	SPT. CPE.....	partial drs.—rr. qtr. arm rests top and ctr. (comb. 316, 317, 319, 325, 329, 337).....	4208909	A.R.	7.25 yd
54	CONV.....	cushions and backs partial,			
54	SPT. CPE.....	partial cushions and backs—facings (comb. 316, 317, 319, 325, 329, 337).....	4208907	A.R.	11.50 yd
54	CONV.....	drs. partial—qtrs. upr. and ctr.,			
54	SPT. CPE.....	partial drs.—rr. qtr. arm rests top and ctr. (comb. 315, 326).....	4208923	A.R.	7.25 yd
54	CONV.....	drs. partial—qtrs. upr. and ctr.,			
54	SPT. CPE.....	partial drs.—rr. qtr. arm rests top and ctr. (comb. 314, 327).....	4208922	A.R.	7.25 yd
54	SPT. CPE.....	cushion and back facings (comb. 316, 317, 319).....	4208971	A.R.	9.25 yd
54	SPT. CPE.....	part. cushions and backs (comb. 318).....	4198809	A.R.	11.60 yd
54	CONV.....	drs. partial—qtrs. upr. and ctr.,			
54	SPT. CPE.....	partial drs.—rr. qtr. arm rests top and ctr. (comb. 318, 328).....	4208910	A.R.	7.25 yd
54	CONV.....	drs. frt. section—qtr. arm rests,			
54	SPT. CPE.....	partial drs. facings rr. qtr. arm rests,			
54	SDL.....	drs. ctr. section seat ends (comb. 303, 316, 325).....	4208911	A.R.	6.75 yd
54	1062D-62F.....	drs. upr. section (comb. 323).....	4208882	A.R.	7.25 yd
54	1062D-62F.....	drs. upr. section (comb. 324).....	4208883	A.R.	7.25 yd
54	1062D-62F.....	cushion and back bolster and facings (comb. 324).....	4208881	A.R.	11.60 yd
54	1262F.....	cushions and backs (comb. 322).....	4209051	A.R.	8.50 yd
54	1262F.....	drs. upr.—bottom side qtrs. (comb. 322).....	4209053	A.R.	7.75 yd
54	1262F.....	seat wings upr.—partial drs. (comb. 322).....	4209054	A.R.	7.25 yd
54	SDL.....	cushions and backs (comb. 303).....	4209075	A.R.	11.90 yd
54	SDL.....	cushion and back facings (comb. 303).....	4209077	A.R.	7.95 yd

#### 15.520 WEATHERCORD, Door (with filler)

41	1011-19-27,				
52	1007-11-27-69,				
53	1011-27-37-69.....	(comb. 127, 212, 242, 246).....	3709703	A.R.	2.95
41	1011-19-27.....	(comb. 128).....	4129423	A.R.	.68 yd
35-41	PASS. ....	(comb. 47, 48, 50, 53, 54, 55, 61, 63, 69, 70, 71, 76, 79, 80, 81, 85, 87, 88, 97, 115-6-7, 126),			
42-47	1007-11-19-27-27B-69.....	(comb. 131, 132).....	4132855	A.R.	.68 yd
48	1211-19-27-27B.....	(comb. 150).....	4163544	A.R.	.68 yd
48	1011-19-27.....	(comb. 151).....	4163174	A.R.	.68 yd
42-47	PASS. (exc. 1007-61-67-69).....	(comb. 129, 130, 142),			
48	1007-69.....	(comb. 153),			
48	1011-19-27.....	(comb. 152),			
49	1007-08-11-27-69.....	(comb. 158).....	4168415	A.R.	.68 yd



49	PASS. (exc. CONV., STA. WAG., SDL.)	(comb. 156, 157),		
52	PASS. (exc. CONV., B-A, STA. WAG., SDL.),			
53	1211-27-27B-69.....	(comb. 210, 211, 249).....	3709708	A.R. 2.95
49-52	STA. WAG.,			
53	1062-62F.....	(comb. 278).....	4197570	A.R. .92 yd
50-51	PASS. (exc. CONV., B-A, STA. WAG., SDL.).....	(comb. 170, 171, 200, 201).....	4180782	A.R. .72 yd
52	1007-11-27-69.....	(comb. 213).....	4189863	A.R. .68 yd
53	1011-27-37-69.....	(comb. 243, 247, 292).....	3709705	A.R. 2.95
53	1011-27-37-69.....	(comb. 241, 245, 291).....	4191643	A.R. .68 yd
53	1011-27-37-69.....	(comb. 244, 248).....	3709707	A.R. 2.95
53	1062-62F.....	(comb. 280).....	4197229	A.R. .92 yd
53	1262F.....	(comb. 277).....	4197038	A.R. .92 yd
54	1011W-69W.....	dark brown (comb. 307) (4 yard length) ..	3710698	A.R. 2.95
54	1011W-11WD-69.....	dark gray (comb. 304, 309) (4 yard length)	3710693	A.R. 2.95
54	1011W-11WD-69.....	dark blue (comb. 305, 310) (4 yard length)	3710694	A.R. 2.95
54	1011W-11WD-69.....	dark green (comb. 306, 311) (4 yard length).....	3710695	A.R. 2.95
54	1011WD-69WD.....	dark tan (comb. 330) (4 yard length).....	3710696	A.R. 2.95
54	1011WD-69WD.....	turquoise (comb. 331) (4 yard length).....	3710697	A.R. 2.95
54	1011WA.....	blue (comb. 332) (4 yard length).....	3710690	A.R. 2.95
54	1011WA.....	green (comb. 333) (4 yard length).....	3710691	A.R. 2.95
54	1011WA-1211-69W.....	black (comb. 300, 334) (4 yard length) ..	3710692	A.R. 2.95
54	1062D-62F.....	dark green (comb. 323) (4 yard length) ..	3710688	A.R. 3.95
54	1062D-62F.....	dark brown (comb. 324) (4 yard length) ..	3710689	A.R. 3.95
54	1262F.....	maroon (comb. 322) (4 yard length).....	3710699	A.R. 3.95

#### 15.527 LACE, Seaming

41	PASS.....	(comb. 115, 116, 117, 126).....	4132855	A.R. (15.520)
33-36	PASS. (exc. CONV., SDL.).....	(comb. 25, 26, 38, 39, 47, 48, 50, 51, 52, 53, 54, 55, 61, 62, 70, 71, 76),		
37-38	Ser. 1000 (exc. CONV.).....			
39-40	PASS.,			
41	1227B-27P,			
42	1007-11-19-27-27B-69.....	(comb. 79, 80, 81, 83, 86, 87, 88, 97, 118, 119, 131, 132),		
46-48	1007-69.....	(comb. 152, 153).....	4163173	A.R. .23 yd
48	1011-19-27.....	(comb. 129, 130, 142).....	4132824	A.R. .23 yd
42-47	1011-19-27-27B, Ser. 1200 (exc. SDL.) ..	(comb. 151).....	4163172	A.R. .23 yd
48	1011-19-27.....	(comb. 150).....	4163543	A.R. .23 yd
48	1211-19-27-27B.....			

#### 15.530 LINING, Top

37-51	CONV.....	tan (56 wide).....	4164685	A.R. 3.98 yd
52-54	CONV.....	black (56 wide).....	4164686	A.R. 3.98 yd
52-54	CONV.....	tan (56 wide).....	4177938	A.R. 3.98 yd
52	CONV.....	grey (56 wide).....	4177957	A.R. 3.98 yd
52-53	CONV.....	green (56 wide).....	4189828	A.R. 4.10 yd
52-53	CONV.....	blue (56 wide).....	4189829	A.R. 4.10 yd
54	CONV.....	green (56 wide).....	4208890	A.R. 4.25 yd
54	CONV.....	blue (56 wide).....	4208897	A.R. 4.25 yd

#### 15.534 BINDING, Hidem

40-47	CONV.....	tan, (comb. 93, 120, 133, 143-6).....	4102829	A.R. .23 yd
52-53	CONV.....	CLIP, hidem binding end.....	4561686	A.R. (13.342)

**~ Blank Page ~**

**~ Blank Page ~**

# COMMERCIAL BODY PARTS SECTION

## Six Cylinder Models—1929-1954

### KEY TO SYMBOLS

The usage of parts listed in this section is designated either by job numbers, chassis symbols, or model abbreviations shown below:

CAB BODIES (Including Cab Over Engine)	.	.	.	C CAB
CAB OVER ENGINE	.	.	.	COE
SINGLE UNIT BODIES (Panels, Canopy Express, Suburban Carryall, Etc.)	.	.	.	SGL. UNIT
SUBURBAN CARRYALL BODY	.	.	.	SUB.
SUBURBAN CARRYALL BODY (with End Gate)	.	.	.	SUB. W/END GATE
SUBURBAN CARRYALL BODY (with Panel Doors)	.	.	.	SUB. W/DOORS
DOUBLE UNIT BODIES (With Cab and Separate Body)	.	.	.	DBL. UNIT
PLAIN CHASSIS LESS WINDSHIELD	.	.	.	FFC or FLAT FACE COWL
ALL ABOVE MODELS	.	.	.	ALL

See Commercial Body Model Identification Sheet on Next Page for Job Numbers and Chassis Symbols. Suburban Carryall Body Parts for the years 1939-54 are now being listed in the "Master Parts Catalog" along with comparable parts. Body parts which are common to Suburban Carryall, Panels and Canopy Express, may be found listed as Single Unit or under corresponding Commercial Body Types.

NOTE: If Body is not of Chevrolet manufacture and is not listed in the Special Models Book (F & A 24D) place orders direct with the manufacturer whose name appears on the Body Name Plate.

### QUICK REFERENCE INDEX

Driver's compartment parts (Incl. Cab.)	16.000-16.802	
Load compartment parts, as follows:	Single Unit Bodies	Double Unit Bodies
Platform and Sills	17.020-17.030	17.408-17.447
Top	17.060	
Body Front End		17.453-17.462
Body Sides	17.110-17.462	17.508-17.524
Body Rear End		17.560
End Gate	17.185-17.222	17.615-17.635
Curtains	17.270-17.278	

# CHEVROLET MASTER PARTS CATALOG

YEAR	MODEL	PART NAME	PART NO.	NO. USED	LIST PRICE
<b>16.000 CAB SHELL, Closed (Body Shell)</b>					
41-46	CCAB (exc. COE)	body shell, less doors and trim	3847013	1	191.08
<b>CAB ASSEMBLY (in prime)</b>					
47-54	CCAB (exc. COE)	w/out qtr. windows (w trim, hardware)	3709403†	1	449.50
47-54	COE	w/out qtr. windows (w/trim, hardware)	3709407*	1	535.00
47-54	CCAB (exc. COE)	w/qtr. windows (w/trim, hardware)	3709405†	1	469.50
47-54	COE	w/qtr. windows (w/trim, hardware)	3709409*	1	550.00
47-53	CCAB	CONVERSION KIT, cab assembly	3710935	1	29.75
*NOTE: When mounting these cabs on 1947-53 COE Models, it will be necessary to use one 3710935 Conversion Kit together with one 3703447 Steering Gear Cowl Bracket Support (Group 6.760).					
†NOTE: When mounting these cabs on 1947-53 CCAB Models, it will be necessary to use one 3710935 Conversion Kit.					
<b>16.005 GLASS, Windshield</b>					
37-38	ALL	safety, 13 $\frac{1}{8}$ x 44 $\frac{1}{8}$ max. dim.	593381	1	16.37
39-46	ALL	safety, 13 $\frac{1}{8}$ height at inner end x 22 $\frac{1}{8}$ max. width	598969	2	9.20
47-53	ALL	safety, 15 $\frac{1}{4}$ x 25 $\frac{1}{8}$ max. dim.	3682394	2	11.85
53	ALL	tinted, 15 $\frac{1}{4}$ x 25 $\frac{1}{8}$ max. dim.	3704388	2	18.65
54	ALL	safety, 15 $\frac{3}{16}$ x 51 $\frac{1}{4}$ max. dim.	3703002	1	41.50
54	ALL	tinted, 15 $\frac{3}{16}$ x 51 $\frac{1}{4}$ max. dim.	3705581	1	48.50
<b>16.010 CHANNEL—FRAME—FILLER, Windshield Glass (in prime)</b>					
36	LOW ROOF CAB	top with corners (5 $\frac{1}{16}$ x 45 $\frac{1}{16}$ length)	602132	1	2.60
37-38	ALL	top with corners (5 $\frac{1}{16}$ x 45 $\frac{1}{16}$ length)	602498	1	2.60
39-46	ALL	FRAME ASSEMBLY, left (15 height at open end x 23 $\frac{1}{16}$ width)	598971	1	1.85
39-46	ALL	FRAME ASSEMBLY, right (15 height at open end x 23 $\frac{1}{16}$ width)	598972	1	1.85
36-38	ALL (exc. HIGH ROOF CAB)	FRAME (7 $\frac{1}{4}$ height x 45 $\frac{1}{16}$ wide)	602131	1	3.37
29-54	ALL	FILLER (.032 thick x 60 ft. roll)	603954	A.R.	(10.696)
29-54	ALL	FILLER (.047 thick x 40 ft. roll)	603955	A.R.	(10.696)
<b>16.012 NUT, Windshield, Upper and Lower Frame Anchor</b>					
39-46	ALL	lower center ( $\frac{1}{4}$ x $\frac{1}{16}$ x 8 long; $\frac{1}{8}$ off flat)	598978	1	.33
39-46	ALL	upper center ( $\frac{1}{4}$ x $\frac{1}{16}$ x 8 long—flat)	598979	1	.33
36-38	ALL (exc. HIGH ROOF CAB)	CLIP, frame ( $\frac{3}{16}$ x 1 inside length)	592328	2	.07
<b>16.013 MOULDING, Windshield Garnish</b>					
47	ALL	left	3685601	1	2.50
47	ALL	right	3685602	1	2.50
48-53	ALL	left	3689495	1	2.50
48-53	ALL	right	3689496	1	2.50
54	ALL	(47 $\frac{1}{16}$ long x 1 wide)	3703532	1	1.65
48-53	ALL	REINFORCEMENT, moulding ( $\frac{1}{2}$ long)	3689528	10	.05
54	ALL	CLIP, spacing (1 $\frac{1}{16}$ wide x 1 $\frac{1}{16}$ high)	3703540	1	.04
<b>16.017 MOULDING—REINFORCEMENT—CAP, Windshield Division</b>					
39-46	ALL	outer, w/rubber filler (chrome)	3676579	1	1.48
47-53	ALL	outer (1 $\frac{1}{16}$ x 16 $\frac{1}{16}$ )	3684809	1	1.05
39-46	ALL	REINFORCEMENT, division moulding (1 $\frac{1}{16}$ x 2 $\frac{1}{2}$ )	3651622	2	.12
47-53	ALL	REINFORCEMENT, division ( $\frac{1}{16}$ x 15 $\frac{1}{16}$ )	3683715	1	.42
47	ALL	CAP, upper	3685655	1	.20
47	ALL	CAP, lower	3685656	1	.20
48-53	ALL	CAP, upper	3689450	1	.15
48-53	ALL	CAP, lower	3689452	1	.15



**16.018 MOULDING, Windshield Division Inner**

39-46	ALL.....	(1 $\frac{5}{8}$ x 13 long).....	598975	1	.33
47-53	ALL.....	(1 $\frac{1}{4}$ x 14 $\frac{25}{32}$ ).....	3684697*	1	.45

\*NOTE: When using 3684697 on 1948-50 models it will be necessary to cut to size.

**16.020 HINGE, Windshield Frame**

39-46	ALL.....	left (ident. No. 841).....	598841	1	.63
39-46	ALL.....	right (ident. No. 842).....	598842	1	.63
37-46	ALL (exc. 1936 HIGH ROOF CAB).....	SCREW, hinge (No. 10—24 x $\frac{1}{2}$ round head).....	120221	8	(8.906)
37-46	ALL (exc. 1936 HIGH ROOF CAB).....	WASHER, flat, hinge (No. 10).....	120391	8	(8.929)
37-46	ALL (exc. 1936 HIGH ROOF CAB).....	WASHER, lock hinge (No. 10).....	120217	8	(8.931)
37-46	ALL (exc. 1936 HIGH ROOF CAB).....	NUT, hinge (No. 10—24).....	120361	8	(8.915)

**16.040 WEATHERSTRIP, Windshield**

36	LOW ROOF CAB.....	top, sides and bottom in one piece, rubber 13 $\frac{1}{2}$ x 47 max. dim.).....	476947	1	1.45
37-38	ALL.....	top, sides and bottom in one piece, rubber (14 x 46 max. dim.).....	593380	1	1.45
39-46	ALL.....	top, sides and bottom in one piece, rubber (17 x 48 max. dim.).....	3681322	1	1.63
47-51	ALL.....	molded in one piece w/division w/strip (for jobs w/reveal mldg.).....	3684695	1	4.85
47-50	ALL (exc. SUB.),				
51-53	ALL.....	molded in one piece w/division w/strip for jobs w/out reveal mldg.).....	3684802	1	4.85
54	ALL (exc. SUB.).....	molded in one piece (w/out deluxe equip.)	3703533	1	4.85
54	ALL.....	molded in one piece (with deluxe equip.)	3703534	1	4.85

**16.041 MOULDING, Windshield Reveal**

47-51	ALL.....	left, (68 dev. length).....	3684807	1	2.00
47-51	ALL.....	right, (68 dev. length).....	3684808	1	2.00
54	ALL.....	upper, deluxe equip. (35 $\frac{1}{4}$ O.L.).....	3703535	1	1.75
54	ALL.....	lower, deluxe equip. (38 $\frac{1}{4}$ O.L.).....	3703536	1	1.85
54	ALL.....	left, side, deluxe equip. (16 $\frac{13}{16}$ O.L.).....	3703537	1	2.95
54	ALL.....	right, side, deluxe equip. (16 $\frac{13}{16}$ O.L.)....	3703538	1	2.95
54	ALL.....	CAP, reveal moulding ( $\frac{3}{4}$ wide x $\frac{1}{8}$ high)...	3703539	1	.25

**16.045 REGULATOR—BRACKET—CLIP—SCREW, Windshield**

36-38	ALL (exc. HIGH ROOF CAB).....	(ctr. to ctr. bracket attaching holes— 3 $\frac{5}{8}$ Ident. No. CB-238).....	475838	1	2.68
39	ALL.....	(ctr. to ctr. brkt. attaching holes—3 $\frac{5}{8}$ operating spindle 90°, Ident. No. CB-291)	598876	1	2.68
40-46	ALL.....	(ctr. to ctr. brkt. attaching holes—3 $\frac{5}{8}$ operating spindle 60°, Ident. No. CB-301)	3654088	1	3.35
39-46	ALL.....	BRACKET, windshield regulator ( $\frac{1}{8}$ wide x 2 in. ctr. to ctr. of holes x $\frac{5}{8}$ high).....	3653708	1	.13
36-46	ALL (exc. HIGH ROOF CAB).....	CLIP, w/tape, regulator.....	602129	1	.80
36-38	ALL.....	SCREW, regulator, bracket (No. 8—32 x $\frac{1}{2}$ binding head, metal tapping).....	3654597	1	(16.170)

**16.050 HANDLE, Windshield Regulator**

36-46	ALL.....	with light brown knob.....	3654631	1	.83
-------	----------	----------------------------	---------	---	-----

**16.053 SCREW—WASHER, Windshield Regulator Handle**

39-46	ALL.....	SCREW, handle (No. 10—32 x 1 $\frac{3}{8}$ clutch fillister head—chrome).....	3654637	1	.06
42	ALL.....	WASHER, handle ( $\frac{1}{4}$ LD. x $\frac{3}{8}$ O.D.).....	3657497	1	(16.190)

**16.058 STOP, Windshield (Bumper)**

37-46	ALL.....	rubber ( $\frac{3}{8}$ O.D. x $\frac{5}{8}$ thick).....	3681093	2	.07
-------	----------	---	---------	---	-----

**16.062 BLADE—INSERT, Windshield Wiper**

29-47	ALL (1st type)	(8 long)	477373	2	(10.146)
47-53	ALL (Adv. design)	(10 long)	3683905	2	.52
54	ALL	INSERT (11 1/4 long)	561268	2	(10.146)

**16.063 ARM—LINK—ROD, Windshield Wiper**

39-46	ALL				
47-53	FTC	ARM UNIT, chrome (adjust. from 8 3/8 to 10 3/4)	609563	1	(10.147)
47-53	ALL (exc. FTC)	ARM, left (11 3/8 long—chrome)	3697281	1	1.03
47-53	ALL (exc. FTC)	ARM, right (11 3/8 long—chrome)	3697282	1	1.03
47-53	ALL	LINK, short (9 1/4 overall length) (w/trans.)	3683915	1	2.07
47-53	ALL	LINK, long (27 1/8 overall length) (w/trans.)	3683909	1	2.07
54	ALL	LINK (17 3/4 dev. length)	3703856	2	2.25
47-53	ALL	ROD, motor control (4 1/2 long)	3683907	1	.17

**16.064 MOTOR, Windshield Wiper**

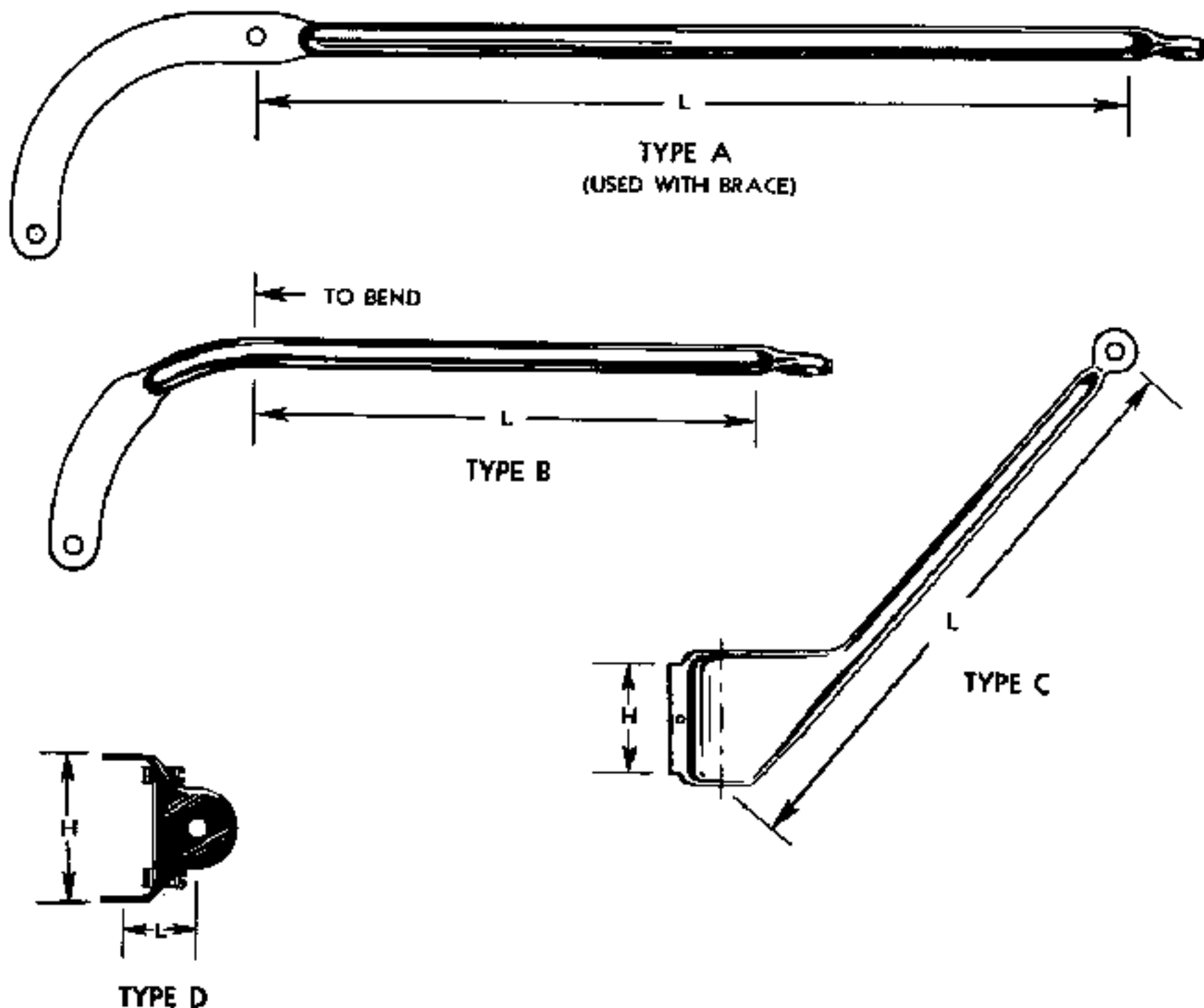
36-38	ALL	vacuum	597907	1	6.03
39-46	ALL	vacuum	598989	1	5.98
47-53	ALL	vacuum	3683899	1	6.57
54	ALL	vacuum	3703854	1	8.75
54	ALL	electric	3710004	1	28.20

**16.065 PARTS, Windshield Wiper Motor**

39-46	ALL	SPACER, motor shaft, inside (5/16 I.D. x 1 1/8 O.D. x 1 1/8 face x 1 1/8 maximum thickness)	598993	1	.32
39-46	ALL	SPACER, motor shaft, outside (3/8 I.D. x 1 1/8 O.D. x 1/4 maximum thickness)	598994	1	.32
47-53	ALL	SPACER, w/s wiper (3/4 I.D. x 1 O.D. x 1/8 thick)	3683911	2	.32
54	ALL	SPACER, w/s wiper (3/4 I.D. x 1 O.D.)	3703859	2	.30
32-54	ALL	GROMMET, wiper suction pipe, rubber (in dash) (1/4 I.D.)	359207	1	(9.775)
47-53	ALL	GROMMET, wiper motor control rod, use w/ motor 3683899 (5/16 x 1/2)	3685792	1	(10.152)
47-53	ALL	GROMMET, w/s wiper link (1 1/8 I.D. x 1 1/8 O.D.)	4161287	A.R.	(10.169)
47-53	ALL	GROMMET, wiper control (1/2 I.D. x 3/8 O.D.)	4093397	A.R.	(10.168)
36-46	ALL (exc. HIGH ROOF CAB)	NUT, wiper motor (5/16—32 hex. chrome)	477378	1	.27
47-54	ALL	NUT (used to attach wiper link)	3683913	2	.17
36-46	ALL	WASHER (5/16 I.D. x 1 1/8 O.D. leather)	477369	1	.06
47-53	ALL	WASHER, rubber (use w/wiper motor 3683899)	3685793	2	(12.118)
47-54	ALL	BUSHING (w/shield wiper motor mounting)	3685794	2	.12
47-54	ALL	SEAL, w/s wiper spacer (1 O.D. oblong x 5/8 I.D. oblong x 1/8 thick)	3703860	2	.10
47-53	ALL	RETAINER ASSY. w/spring (2 1/8 overall)	4068091	1	(10.158)
47-53	ALL	BRACKET, w/s wiper	3683901	1	.37
54	ALL	BRACKET, w/s wiper (1 wide x 2 1/2 long)	3703122	1	.35
47-53	ALL	BRACE, w/s wiper motor mounting brkt.	3688695	1	.48
54	ALL	SUPPORT, electric w/s wiper motor	3710016	1	.25
54	ALL	CLIP, electric w/s wiper motor wire assy.	3684663	A.R.	.08

**16.066 PIPE—HOSE—TEE—CONNECTOR, Windshield Wiper Suction**

31-49	ALL	wiper extension, copper (1/4 O.D. x 25 ft. roll)	364934	A.R.	(8.964)
31-38	ALL	HOSE, wiper suction (3/8 I.D. x 50 ft. roll)	601585	A.R.	(8.962)
37-38	ALL	HOSE (1/2 I.D. x 50 ft. roll)	601607	A.R.	(8.962)
35-38	ALL	TEE, manifold pipe (three-way threaded on two outlets only)	593111	1	(10.154)
39-46	ALL	CONNECTOR (use w/aux. wiper) (three-way for 3/8 I.D. hose)	3682929	1	.32
46	ALL UTILITY (exc. COE)	CONNECTOR (three-way for 1/2 I.D. hose and 1/2 I.D. hydrovac hose connection)	3682291	1	.78
46-54	COMM., 1 1/2 TON	CONNECTOR (1/2 pipe thd. w/1 1/4 hose connection pipe length)	3682936	1	.32
49-54	2 TON w/VAC. BRAKES (exc. COE)	CONNECTOR, three-way (2 1/2 long x 1/2 pipe thd.)	3684718	1	.62
46	COE (2-SPD. VAC. SHIFT)	CONNECTOR (3/8—14 dryseal w/1/4 pipe extension)	3707979	1	.65
54	COMM., 1 1/2 TON				



### REAR VIEW MIRROR BRACKETS

54	COMM., 1½ TON.....	CONNECTOR (two-way ¼-24 int. thread, ½ tapered pipe thread).....	3681956	1	.80
	Not required in this group. See group 3.278.....		3692459	A.R.	.42

#### 16.067 CONTROL ASSY.—KNOB, Windshield Wiper

47-53	ALL.....	w/knob.....	3699117*	1	.90
54	ALL.....	less knob.....	3703852	1	1.75
54	ALL.....	KNOB (1½ O.D.).....	3703853	1	.30
47-53	ALL.....	NUT (½-24 thd.) (used to attach w/s wiper control knob assy. to cowl panel).....	608318	A.R.	(11.253)

\*NOTE: When using 3699117 on 1947-49 models it will be necessary to reverse w/shield wiper motor control rod grommet.

#### 16.068 MIRROR, Rear View

31-54	ALL.....	outside (5½ O.D.) mirror only.....	3696632	1	(10.185)
39-50	ALL.....	outside, less bracket and arm, black (6½ O.D.).....	602073	1	1.72
47-50	ALL.....	inside, non-glare (8¾ long).....	986632	1	(10.185)
47-53	ALL.....	outside, mirror (5½ O.D.) w/adj. arm (extendable 8¾).....	986440	1	3.65
53	ALL.....	inside, non-glare.....	986651*	1	(10.185)

54	ALL.....	outside, mirror (5 $\frac{1}{8}$ x 7 $\frac{1}{2}$ ) w/adj. arm and attach. parts (extendable 8).....	986985	1	6.25
54	ALL.....	outside, mirror (5 $\frac{1}{8}$ x 7 $\frac{1}{2}$ ).....	986986†	1	1.65
54	ALL.....	inside, non-glare.....	986948	1	(10.185)

†NOTE: Use with 986985 Mirror Unit for replacement.

\*NOTE: Must be used with 986875 Bracket Unit.

#### ARM--BRACE--NUT, Rear View Mirror

36-46	ALL.....	ARM ASSY., less bracket (12 $\frac{1}{8}$ ctr. to ctr., can be extended 7 in.) (used with 602073 mirror)	602074	1	1.72
31-46	ALL.....	ARM ASSY (use w/3696632 mirror).....	3676484	1	3.38
47-54	ALL.....	ARM ASSY., adj. to 24 (use w/3696632 and 986440 mirror).....	3847308	A.R.	1.72
51-54	ALL.....	ARM ASSY., non-adjustable (22 $\frac{1}{2}$ long) (use w/3696632 mirror).....	3696057	A.R.	1.25
36-46	ALL.....	ARM, inner (part of 602074) (10 $\frac{1}{2}$ long).....	602075	1	.42
47-54	ALL.....	ARM, right, non-adj., w/attach. base (3 $\frac{1}{8}$ O.D. x 10 $\frac{1}{2}$ long) (use w/3696632 mirror).....	3695368	1	1.32
47-54	ALL.....	ARM, left, non-adj., w/attach. base (3 $\frac{1}{8}$ dia. x 10 dev. length) (use w/3696632 mirror).....	3696059	1	.88
39-46	CCAB.....	BRACE, left (used with bracket 599309 on Stake and Stock racks) (1 $\frac{1}{2}$ diameter x 20 $\frac{3}{8}$ overall)	599311	1	.58
39-46	CCAB.....	BRACE, right (used with bracket 599310 on Stake and Stock racks) (1 $\frac{1}{2}$ diameter x 20 $\frac{1}{4}$ overall).....	599312	1	.58
31-46	ALL.....	NUT, spacer (use w/3696632 mirror).....	3847036	1	(10.186)
47-50	ALL.....	NUT, No. 10-32 (use w/602073 mirror).....	3847181	1	.10

#### 16.069 BRACKET--SCREW, Rear View Mirror

NOTE: In text below H = height and L = length.

39-46	PICK-UP, PLATFORM.....	left, type C (H—2 $\frac{1}{2}$ , L—10 $\frac{13}{16}$ ).....	599013	1	1.22
39-46	PICK-UP, PLATFORM.....	right, type C (H—2 $\frac{1}{2}$ , L—10 $\frac{13}{16}$ ).....	599014	1	1.22
39-46	CCAB (STAKE, STOCK RACK).....	left, type A (L—15 $\frac{3}{4}$ ).....	599309	1	.90
39-46	CCAB (STAKE, STOCK RACK).....	right, type A (L—15 $\frac{3}{4}$ ).....	599310	1	.90
39-46	PICK-UP, PLATFORM.....	left, type B (L—9 $\frac{1}{2}$ ).....	599307	1	.90
47-50	ALL.....	type D (H— $\frac{1}{4}$ , L—1 $\frac{1}{16}$ ).....	3847310	1	.37
47-54	ALL.....	upper (use w/3847308 arm).....	3693400	1	.20
47-54	ALL.....	lower (right angle type) (use with 3847308 arm).....	3693401	1	.20
47-53	ALL.....	unit (use w/986440 mirror).....	986441	1	1.60
53	ALL.....	unit (use w/986651 mirror).....	986875	1	1.30
54	ALL.....	unit (use w/986948 mirror).....	986898	1	1.25
39-46	ALL.....	SCREW, set (1 $\frac{1}{4}$ —28 x 1 $\frac{1}{2}$ headless slotted).....	604714	2	.03

#### 16.070 SUNSHADE ASSEMBLY

47-53	ALL.....	left, w/support (5 $\frac{1}{4}$ wide x 18 long).....	3685637	1	3.13
47-53	ALL.....	right, w/support (5 $\frac{1}{4}$ wide x 18 long) (w/attaching parts and template).....	986155	1	3.21
54	ALL.....	left, w/support (5 $\frac{1}{4}$ wide x 18 long).....	3703645	1	3.15
54	ALL.....	right, w/support (5 $\frac{1}{4}$ wide x 18 long) (w/attach. parts and template).....	986773	1	3.20
47-53	ALL.....	GLARESHADE, windshield.....	986604	1	11.00
53	ALL.....	VISOR, outside sun, w/attach. parts.....	986877	1	22.00
54	ALL.....	VISOR, outside sun, w/attach. parts.....	986938	1	22.00

#### 16.080 INSTRUMENT PANEL--(in prime)

40-46	ALL.....	for use with jobs with windshield.....	604481*	1	6.12
47	ALL (exc. FLAT FACE COWL).....	for use with jobs with windshield.....	3683255	1	8.15
47-53	FLAT FACE COWL.....	for use with jobs less w/shield.....	3810808	1	10.45
48-53	ALL (exc. FFC).....	for use with jobs with w/shield 9 $\frac{1}{2}$ hole for parking brake release rod bracket assy.	3693291†	1	9.77
54	ALL (exc. FFC).....	for use with jobs with windshield.....	3700359	1	10.45



54 FLAT FACE COWL..... for use with jobs less windshield..... 3810881 1 10.45

\*NOTE: When installing 604481, Instrument Panel, in 1940 body on 1939 chassis, order 2 of Part 1506374—Instrument Backing Plate, and one of Part 156912—Speedometer Head Case and Flange Assembly.

†NOTE: When using 3693291 on 1948 Jobs it will be necessary to drill a hole in each end of panel  $3\frac{1}{8}$ " up from bottom of crease of flange and  $\frac{3}{4}$ " in from crease of flange. On 1948-49 Jobs the instrument panel compartment and compartment door hinges must also be replaced.

**16.081 MOULDING—PLATE—FASTENER, Instrument Panel**

40-46	ALL.....	long ( $\frac{1}{2}$ wide x $18\frac{3}{16}$ long).....	3654080	1	.67
40-46	ALL.....	short ( $\frac{1}{2}$ wide x $5\frac{7}{8}$ long).....	3654082	1	.38
47-53	ALL,				
54	FLAT FACE COWL.....	upper radio grille ( $1\frac{1}{8}$ x $14\frac{13}{16}$ ).....	3698743	1	.83
47-53	ALL,				
54	FLAT FACE COWL.....	lower radio grille ( $\frac{3}{4}$ x $14\frac{13}{16}$ ).....	3698747	1	.73
54	FLAT FACE COWL.....	upper radio grille ( $1\frac{1}{8}$ x $14\frac{13}{16}$ ).....	3709723	1	.96
54	FLAT FACE COWL.....	lower radio grille ( $\frac{3}{4}$ x $14\frac{13}{16}$ ).....	3709766	1	.75
47-53	ALL.....	PLATE, radio control ( $2\frac{5}{8}$ x $8\frac{1}{2}$ ).....	3684769	1	.38
54	ALL.....	PLATE, radio control ( $1\frac{5}{8}$ x $8\frac{3}{8}$ ).....	3702156	1	.40
40-46	ALL.....	FASTENER ( $1\frac{1}{8}$ wide x $\frac{3}{16}$ long x $\frac{5}{16}$ high).....	3654550	9	.02

**16.083 GRILLE—PLUG, Radio**

47-53	ALL,				
54	FLAT FACE COWL.....	( $4\frac{1}{8}$ x $14\frac{3}{4}$ ).....	3684033	1	1.40
47-53	ALL.....	PLUG ( $\frac{3}{8}$ —24) radio control cover plate attach.	3684768	2	.12

**16.085 BRACKET—BRACE, Instrument Panel**

40-46	ALL.....	panel to hinge pillar ( $1\frac{3}{4}$ x $1\frac{1}{2}$ base x $1\frac{3}{4}$ high).....	3653973	2	.06
40	ALL.....	BRACE, panel to dash ( $1\frac{1}{4}$ wide x $14\frac{1}{8}$ long).....	3654587	1	.18
41-46	ALL.....	BRACE, panel to dash ( $1\frac{1}{4}$ wide x 16 long).....	3656225	1	.32
41-46	ALL (exc. FLAT FACE COWL).....	BRACE, panel to dash, center ( $1\frac{1}{8}$ wide x $12\frac{1}{4}$ long).....	3656636	1	.65
47-53	ALL (exc. FLAT FACE COWL).....	BRACE, to panel ( $3\frac{3}{4}$ x $18\frac{1}{8}$ long w/bolts).....	3686719	1	1.35
54	ALL (exc. FLAT FACE COWL).....	BRACE, panel to dash (18 dev. length).....	3704501	1	.65

**16.100 BOX, Instrument Panel Compartment**

36-38	ALL.....	( $4\frac{3}{4}$ x $12\frac{11}{16}$ opening x 10 deep).....	473524	1	1.08
39-46	ALL,				
40-48	FLAT FACE COWL.....	( $5\frac{3}{4}$ x $13\frac{1}{4}$ opening x 10 deep).....	598886	1	1.08
40-46	ALL.....	( $6\frac{1}{8}$ x 12 opening x $10\frac{3}{4}$ deep).....	3654001	1	1.10
47-49	ALL.....	( $4\frac{1}{8}$ x $14\frac{1}{8}$ opening x $8\frac{3}{4}$ deep).....	3676451	1	1.08
50-53	ALL,				
54	FLAT FACE COWL.....	( $5\frac{1}{2}$ x $14\frac{3}{8}$ opening x $9\frac{1}{8}$ deep).....	3704220	1	1.08
54	ALL (exc. FLAT FACE COWL).....	( $5\frac{1}{2}$ x $13\frac{3}{4}$ opening x 9 deep).....	3701366	1	1.10

**LIGHT, Instrument Panel Compartment**

53	ALL.....	w/switch, bulb, and screws.....	986693	1	(10.275)
54	ALL.....	w/switch, bulb and screws.....	986899	1	(10.275)
54	ALL.....	SWITCH.....	3699662	1	(10.275)

**16.110 DOOR, Instrument Panel Compartment (less knob)**

39	ALL,				
40-46	FLAT FACE COWL.....	( $5\frac{3}{8}$ x $13\frac{3}{8}$ ).....	603351	1	2.17
40-46	ALL (exc. FLAT FACE COWL).....		604462	1	2.17
47-53	ALL,				
54	FLAT FACE COWL.....	( $5\frac{3}{8}$ x $15\frac{1}{4}$ ).....	3698751	1	2.73
54	ALL (exc. FLAT FACE COWL).....	( $5\frac{1}{8}$ x $15\frac{1}{4}$ ) w/lock.....	3701367	1	2.75

**KNOB—LOCK PARTS—BUMPER, Instrument Panel Compartment Door**

40-53	ALL (exc. FLAT FACE COWL),				
54	FLAT FACE COWL.....	KNOB and LOCK ASSY., with lock bolt ( $1\frac{1}{8}$ diameter x $1\frac{3}{4}$ overall length—chrome) (key series 8000-9499).....	4099314*	1	1.92

\*NOTE: 4099314 includes knobs, lock, cylinders coded to no specified key number, with plunger, spring, washer and two keys.

54 FLAT FACE COWL..... for use with jobs less windshield..... 3810881 1 10.45

\*NOTE: When installing 604481, Instrument Panel, in 1940 body on 1939 chassis, order 2 of Part 1506374—Instrument Backing Plate, and one of Part 156912—Speedometer Head Case and Flange Assembly.

†NOTE: When using 3693291 on 1948 Jobs it will be necessary to drill a hole in each end of panel  $3\frac{1}{8}$ " up from bottom of crease of flange and  $\frac{3}{4}$ " in from crease of flange. On 1948-49 Jobs the instrument panel compartment and compartment door hinges must also be replaced.

**16.081 MOULDING—PLATE—FASTENER, Instrument Panel**

40-46	ALL.....	long ( $\frac{1}{2}$ wide x $18\frac{3}{16}$ long).....	3654080	1	.67
40-46	ALL.....	short ( $\frac{1}{2}$ wide x $5\frac{7}{8}$ long).....	3654082	1	.38
47-53	ALL,				
54	FLAT FACE COWL.....	upper radio grille ( $1\frac{1}{8}$ x $14\frac{13}{16}$ ).....	3698743	1	.83
47-53	ALL,				
54	FLAT FACE COWL.....	lower radio grille ( $\frac{3}{4}$ x $14\frac{13}{16}$ ).....	3698747	1	.73
54	FLAT FACE COWL.....	upper radio grille ( $1\frac{1}{8}$ x $14\frac{13}{16}$ ).....	3709723	1	.96
54	FLAT FACE COWL.....	lower radio grille ( $\frac{3}{4}$ x $14\frac{13}{16}$ ).....	3709766	1	.75
47-53	ALL.....	PLATE, radio control ( $2\frac{5}{8}$ x $8\frac{1}{2}$ ).....	3684769	1	.38
54	ALL.....	PLATE, radio control ( $1\frac{5}{8}$ x $8\frac{3}{8}$ ).....	3702156	1	.40
40-46	ALL.....	FASTENER ( $1\frac{1}{8}$ wide x $\frac{7}{16}$ long x $\frac{5}{16}$ high).....	3654550	9	.02

**16.083 GRILLE—PLUG, Radio**

47-53	ALL,				
54	FLAT FACE COWL.....	( $4\frac{1}{8}$ x $14\frac{3}{4}$ ).....	3684033	1	1.40
47-53	ALL.....	PLUG ( $\frac{3}{8}$ —24) radio control cover plate attach.	3684768	2	.12

**16.085 BRACKET—BRACE, Instrument Panel**

40-46	ALL.....	panel to hinge pillar ( $1\frac{3}{4}$ x $1\frac{1}{2}$ base x $1\frac{3}{4}$ high).....	3653973	2	.06
40	ALL.....	BRACE, panel to dash ( $1\frac{1}{4}$ wide x $14\frac{1}{8}$ long).....	3654587	1	.18
41-46	ALL.....	BRACE, panel to dash ( $1\frac{1}{4}$ wide x 16 long).....	3656225	1	.32
41-46	ALL (exc. FLAT FACE COWL).....	BRACE, panel to dash, center ( $1\frac{1}{8}$ wide x $12\frac{1}{4}$ long).....	3656636	1	.65
47-53	ALL (exc. FLAT FACE COWL).....	BRACE, to panel ( $3\frac{3}{4}$ x $18\frac{1}{8}$ long w/bolts).....	3686719	1	1.35
54	ALL (exc. FLAT FACE COWL).....	BRACE, panel to dash (18 dev. length).....	3704501	1	.65

**16.100 BOX, Instrument Panel Compartment**

36-38	ALL.....	( $4\frac{3}{4}$ x $12\frac{11}{16}$ opening x 10 deep).....	473524	1	1.08
39-46	ALL,				
40-48	FLAT FACE COWL.....	( $5\frac{3}{4}$ x $13\frac{1}{4}$ opening x 10 deep).....	598886	1	1.08
40-46	ALL.....	( $6\frac{1}{8}$ x 12 opening x $10\frac{3}{4}$ deep).....	3654001	1	1.10
47-49	ALL.....	( $4\frac{1}{8}$ x $14\frac{1}{8}$ opening x $8\frac{3}{4}$ deep).....	3676451	1	1.08
50-53	ALL,				
54	FLAT FACE COWL.....	( $5\frac{1}{2}$ x $14\frac{3}{8}$ opening x $9\frac{1}{8}$ deep).....	3704220	1	1.08
54	ALL (exc. FLAT FACE COWL).....	( $5\frac{1}{2}$ x $13\frac{3}{4}$ opening x 9 deep).....	3701366	1	1.10

**LIGHT, Instrument Panel Compartment**

53	ALL.....	w/switch, bulb, and screws.....	986693	1	(10.275)
54	ALL.....	w/switch, bulb and screws.....	986899	1	(10.275)
54	ALL.....	SWITCH.....	3699662	1	(10.275)

**16.110 DOOR, Instrument Panel Compartment (less knob)**

39	ALL,				
40-46	FLAT FACE COWL.....	( $5\frac{3}{8}$ x $13\frac{3}{8}$ ).....	603351	1	2.17
40-46	ALL (exc. FLAT FACE COWL).....		604462	1	2.17
47-53	ALL,				
54	FLAT FACE COWL.....	( $5\frac{3}{8}$ x $15\frac{1}{4}$ ).....	3698751	1	2.73
54	ALL (exc. FLAT FACE COWL).....	( $5\frac{1}{8}$ x $15\frac{1}{4}$ ) w/lock.....	3701367	1	2.75

**KNOB—LOCK PARTS—BUMPER, Instrument Panel Compartment Door**

40-53	ALL (exc. FLAT FACE COWL),				
54	FLAT FACE COWL.....	KNOB and LOCK ASSY., with lock bolt ( $1\frac{1}{8}$ diameter x $1\frac{3}{4}$ overall length—chrome) (key series 8000-9499).....	4099314*	1	1.92

\*NOTE: 4099314 includes knobs, lock, cylinders coded to no specified key number, with plunger, spring, washer and two keys.

40-53	ALL,				
54	FLAT FACE COWL.....	KNOB, with lock bolt, less cylinder ( $1\frac{3}{8}$ diam-eter x $1\frac{1}{4}$ overall length—chrome).....	4099316	1	(10.266)
36-48	ALL.....	KEY, blank (round head).....	7002238	A.R.	(2.187)
35-54	ALL.....	KEY, blank (octagon head).....	3694624	A.R.	(2.187)
40-53	ALL.....	BUMPER, door.....	3693292	2	(10.263)
54	ALL (exc. FLAT FACE COWL).....	STRIKER, door lock.....	3701376	1	.17
54	ALL (exc. FLAT FACE COWL).....	RETAINER, door lock cyl. case.....	3701375	1	.05

#### 16.111 MOULDING, Instrument Panel Compartment

40-46	ALL.....	( $\frac{1}{2}$ x $12\frac{1}{8}$ long, chrome).....	3654079	1	.33
47-49	ALL.....	( $1\frac{9}{16}$ x $36\frac{5}{8}$ long, chrome).....	3685109	1	.52

#### 16.115 HINGE, Compartment Door

40-46	ALL (exc. FLAT FACE COWL).....	left, w/support ( $4\frac{5}{8}$ overall height).....	3654533	1	.52
40-46	ALL (exc. FLAT FACE COWL).....	right, w/support ( $4\frac{5}{8}$ overall height).....	3654534	1	.52
47-49	ALL.....	right, w/support ( $2\frac{7}{8}$ wide x $3\frac{1}{8}$ long).....	3683922	1	.62
47-49	ALL.....	left, w/support (4 wide x $4\frac{5}{8}$ long).....	3683921	1	.67
50-53	ALL,				
54	FLAT FACE COWL.....	left, w/support ( $2\frac{3}{8}$ wide x $3\frac{3}{4}$ long).....	3693297	1	.57
50-53	ALL,				
54	FLAT FACE COWL.....	right, w/support ( $2\frac{3}{8}$ wide x $3\frac{3}{4}$ long).....	3693298	1	.57
54	ALL (exc. FLAT FACE COWL).....	( $2\frac{3}{8}$ wide x $11\frac{1}{8}$ long).....	3701371	1	.95
54	ALL (exc. FLAT FACE COWL).....	CHECK, door.....	3701373	1	.25

#### 16.120 TRAY ASSEMBLY—HANDLE—SNUFFER, Ash (less handle)

40-46	ALL.....	(3 x 3 x 2 high).....	3658056	1	1.52
47-53	ALL,				
54	FLAT FACE COWL.....		3847407	1	1.75
54	ALL (exc. FLAT FACE COWL).....	w/out deluxe equip.).....	3700818	1	1.50
54	ALL (exc. FLAT FACE COWL).....	(w/deluxe equip.).....	3700823	1	1.50
47-53	ALL,				
54	FLAT FACE COWL.....	HANDLE ( $\frac{5}{16}$ wide x $2\frac{5}{16}$ high x $1\frac{1}{2}$ long).....	3698544	1	.15
47-53	ALL,				
54	FLAT FACE COWL.....	SNUFFER.....	3707475	1	.15
40-48	ALL.....	SPEED NUT ( $\frac{3}{8}$ x $\frac{1}{8}$ for $\frac{3}{16}$ diameter pin).....	3695282	2	(8.040)

#### 16.125 COVER, Cowl Ventilator

39-46	COE.....	side vent., right, with hinge (welded on flat handle).....	603768	1	1.25
47-50	ALL.....	side vent., with hinge.....	3683538	1	1.47
41-46	ALL.....	top.....	604942	1	2.17
47-53	ALL,				
54	FLAT FACE COWL.....	top, w/hinge plate.....	3682919	1	2.88
54	ALL (exc. FLAT FACE COWL).....	top, w/hinge plate.....	3703555	1	2.90

#### 16.127 HOSE, Cowl Ventilator Cover

47-54	ALL.....	HOSE, vent drain ( $\frac{1}{2}$ I.D. x 8 dev. length).....	3683857	1	.28
-------	----------	---	---------	---	-----

#### 16.130 HANDLE, Cowl Ventilator, with Link

41-46	ALL.....	top ( $10\frac{1}{2}$ overall length).....	3656663	1	1.42
47-53	ALL (exc. FLAT FACE COWL).....	top (15 overall length).....	3682916	1	3.67
47-49	ALL.....	side (8 overall length).....	3691106	1	.83
50	ALL.....	side ( $8\frac{1}{2}$ overall length).....	3693540	1	.33
54	ALL (exc. FLAT FACE COWL).....	top.....	3701074	1	3.85

#### 16.132 SPRING, Cowl Ventilator

47-49	ALL.....	upper spring.....	3684393	1	.10
47-49	ALL.....	lower spring.....	3684394	1	.10

#### 16.135 LINK—PLATE—BOLT—WASHER, Cowl Ventilator Adjusting

41-46	ALL.....	upper ( $6\frac{3}{8}$ O.L.).....	3656665	1	.33
47-54	FLAT FACE COWL.....	upper ( $6\frac{1}{2}$ O.L.).....	3689107	1	.45

47-54	ALL (exc. FFC).....	upper (11 dev. length).....	3689023	1	.55
47-49	ALL.....	PLATE, w/rubber seal.....	3691011	1	.18
41-46	ALL.....	BOLT, link to support (1/4"-20 x 5/8 hex. head, with shoulder).....	3656666	1	.06
41-54	ALL.....	WASHER, spring, link to hinge plate (5/16 I.D. x 1/2 O.D.).....	138485	1	(8.932)

**15.140 WEATHERSTRIP, Cowl Ventilator**

34-38	ALL.....	side and front or rear (5/8 wide x 3 7/8 side x 15).....	373398	2	.28
39-46	ALL.....	formed in one piece, rubber (3 15/16 x 14 15/16).....	3681067	1	.50
39-46	COE.....	side vent, formed in one piece.....	3681080	2	.33
47-50	ALL.....	side vent., formed in one piece.....	3684389	1	.28
47-53	ALL.....				
54	FLAT FACE COWL.....	top cowl vent, formed in one piece.....	3682856	1	.50
54	ALL (exc. FLAT FACE COWL).....	top cowl vent, formed in one piece.....	3703550	1	.50

**16.150 DOOR, Front—in Prime (less trim and hardware)**

39-46	CCAB (exc. COE).....	left.....	603339	1	35.25
39-46	CCAB (exc. COE).....	right.....	3666518**	1	35.25
39-46	SGL. UNIT.....	left.....	603341	1	35.25
39-46	COE.....	left.....	3657653*	1	40.75

\*NOTE: When using 3657653 on 1939-40 COE it is necessary to rework door bottom rocker.

39-46	SGL. UNIT.....	right.....	3666516**	1	35.25
41-46	COE.....	right.....	3666472**	1	40.75

\*\*NOTE: When using 3666472, 3666516 or 3666518 where lock is in door handle, it will be necessary to plug hole in door with 1394712 case and dust cover along with 4131755 retainer spring.

47-50	ALL (exc. COE).....	left.....	3684147	1	42.50
47-50	ALL (exc. COE).....	right.....	3684148	1	42.50
47-50	COE.....	left.....	3686027	1	48.50
47-50	COE.....	right.....	3686028	1	48.50
51	ALL (exc. COE).....	left.....	3695437	1	42.50
51	ALL (exc. COE).....	right.....	3695438	1	42.50
51	COE.....	left.....	3695569	1	48.50
51	COE.....	right.....	3695570	1	48.50
52-54	ALL (exc. COE).....	left.....	3810915	1	42.50
52-53	ALL (exc. COE).....	right.....	3698860	1	42.50
52-54	COE.....	left.....	3698863	1	48.50
52-54	COE.....	right.....	3698864	1	48.50
54	ALL (exc. COE).....	right.....	3810916	1	42.50

**16.155 REST UNIT—PAD—BRACKET, Door Arm**

47-53	ALL.....	(maroon color).....	986154	2	3.90
54	ALL.....	(brown color).....	986769	1	3.90
47-53	ALL.....	PAD (3 1/4 wide x 1 5/8 thick, 7 7/8 long).....	3684360	1	2.85
54	ALL.....	PAD (w/deluxe equip.) (3 1/4 wide x 1 5/8 thick, 7 7/8 long).....	3701080	1	2.85
47-53	ALL.....	BRACKET (2 3/4 wide x 7 1/8 long).....	3684383	1	.53

**16.160 DOOR, Back (less trim and hardware)**

39-46	PANEL.....	left.....	3805409	1	35.25
39-46	PANEL.....	right.....	3805410	1	35.25
47-54	PANEL, SUB. w/DOORS.....	right.....	3699474	1	35.25
47-54	PANEL, SUB. w/DOORS.....	left.....	3699473	1	35.25

**SWITCH, Tail Lamp**

37-51	PANELS, SUB. w/DOORS.....	door half w/plunger.....	594904	1	(2.447)
37-51	PANELS, SUB. w/DOORS.....	body half.....	594905	1	(2.447)

**16.165 PANEL—FASTENER, Door Inside Trim**

39-46	COE.....	left (30 1/4 high x 31 1/4 wide, with cutout in bottom of front side for fender).....	3657651	1	4.17
39-46	ALL (exc. COE).....	left (30 1/4 high x 31 1/4 wide).....	3652901	1	4.17



39-46	ALL	right (jobs with lock in door) (30 $\frac{1}{4}$ high x 31 $\frac{3}{4}$ wide)	3666280	1	4.17
47-53	ALL	left, maroon (10 $\frac{5}{8}$ x 31 $\frac{3}{4}$ )	3686115	1	1.08
47-53	ALL	right, maroon (10 $\frac{5}{8}$ x 31 $\frac{3}{4}$ )	3686116	1	1.08
54	ALL	left, brown (10 $\frac{5}{8}$ x 31 $\frac{3}{4}$ )	3700543	1	1.10
54	ALL	right, brown (10 $\frac{5}{8}$ x 31 $\frac{3}{4}$ )	3700544	1	1.10
53-54	ALL	FASTENER, panel ( $\frac{1}{2}$ cap O.D.), brown	3707152	A.R.	.03

**16.166 MOULDING, Side Door Trim Panel**

47-54	ALL	left (10 $\frac{1}{4}$ x 31 $\frac{3}{4}$ )	3686119	1	1.18
47-54	ALL	right (10 $\frac{1}{4}$ x 31 $\frac{3}{4}$ )	3686120	1	1.18
51-54	ALL	CLIP (1 $\frac{1}{8}$ x 1 $\frac{5}{8}$ )	3697673	2	.05

**16.167 COVER, Door Inner Panel**

47-53	ALL (exc. COE)	left side door (4 $\frac{3}{4}$ x 16 $\frac{3}{8}$ )	3684161	1	.55
47-53	ALL (exc. COE)	right side door (4 $\frac{3}{4}$ x 16 $\frac{3}{8}$ )	3684162	1	.55
47-54	PANEL, SUB. w/DOORS	back door (5 $\frac{1}{4}$ x 5 $\frac{1}{4}$ )	3807284	2	.27
54	ALL (exc. COE)	left, side door (4 $\frac{3}{4}$ x 16 $\frac{3}{8}$ )	3810919	1	.55
54	ALL (exc. COE)	right, side door (4 $\frac{3}{4}$ x 16 $\frac{3}{8}$ )	3810920	1	.55

**16.170 SCREW, Sheet Metal Attaching**

36-49	ALL	No. 8—32 x $\frac{1}{8}$ flat clutch head	477366	A.R.	.02
36-49	ALL	No. 8—32 x $\frac{1}{2}$ binding head	3654597*	A.R.	.02
40-49	ALL	No. 8—15 x $\frac{1}{2}$ type A clutch head	111633	A.R.	(8.977)

\*NOTE: 111633 is to be used in place of 3654597 when attaching top lining panel retainers and the w/shield header cover panel only.

**16.173 VENTILATOR ASSY., Front Door**

51-54	ALL	left, w/glass	3695495	1	10.38
51-54	ALL	right, w/glass	3695496	1	10.38
53-54	ALL	left, with glass (tinted)	3704385	1	11.55
53-54	ALL	right, with glass (tinted)	3704386	1	11.55
51-54	ALL	BOLT, w/1/washer, attach. ( $\frac{1}{4}$ —20 x $\frac{5}{16}$ )	431791	4	(8.907)

**16.174 GLASS, Front Door Ventilator**

51-54	ALL		3695478	2	2.57
51-54	ALL	(tinted)	3704387	2	3.57

**16.175 FRAME ASSY—WEATHERSTRIP—CHANNEL—RIVET, Front Door Ventilator**

51-54	ALL	w/division channel, left	3699713	1	4.63
51-54	ALL	w/division channel, right	3699714	1	4.63
51-54	ALL	W/STRIP, glass, left	3696027	1	1.17
51-54	ALL	W/STRIP, glass, right	3696028	1	1.17
51-54	ALL	CHANNEL, glass, left	3695497	1	2.90
51-54	ALL	CHANNEL, glass, right	3695498	1	2.90
51-54	ALL	RIVET, channel to vent. frame hinge ( $\frac{1}{8}$ )	3695553	2	.05
51-54	ALL	RIVET, door window front glass run attaching (C'sunk $\frac{1}{8}$ x $\frac{1}{4}$ )	443587	12	.02

**16.176 HANDLE—BRACKET—PIN—WASHER—PLATE, Front Door Ventilator**

51-54	ALL	locking, left	3695415	1	.47
51-54	ALL	locking, right	3695416	1	.47
51-54	ALL	BRACKET, w/stud, left	3695537	1	.50
51-54	ALL	BRACKET, w/stud, right	3695538	1	.50
51-54	ALL	PIN locking hdl. retaining ( $\frac{3}{16}$ dia. x $\frac{1}{2}$ long)	3697476	2	.05
51-54	ALL	WASHER, vent locking handle ( $\frac{1}{8}$ )	3696038	2	(10.824)
51-54	ALL	PLATE, locking handle striker	3695420	2	.28
51-54	ALL	RIVET, support	4172393	8	(10.660)

**16.178 DEFLECTOR, Front Door Ventilator Rain**

51-54	ALL	left	3696155	1	.40
51-54	ALL	right	3696156	1	.40

**16.180 GLASS, Front Door**

36-38	ALL (exc. HIGH ROOF CAB)	safety (13 <sup>1</sup> / <sub>16</sub> x 25 max. dim.)	477024	2	9.48
39-40	ALL	safety (15 <sup>3</sup> / <sub>4</sub> x 26 <sup>3</sup> / <sub>16</sub> max. dim.)	598754	2	8.18
41-46	ALL	safety (14 <sup>3</sup> / <sub>4</sub> x 25 <sup>1</sup> / <sub>2</sub> max. dim.)	3657494	2	8.18
47-50	ALL	safety (16 <sup>3</sup> / <sub>4</sub> x 28 <sup>5</sup> / <sub>16</sub> max. dim.)	3684164	2	9.26
51-54	ALL	safety (16 <sup>7</sup> / <sub>8</sub> x 18 <sup>1</sup> / <sub>4</sub> max. dim.)	3695550	2	6.72
51-54	ALL	tinted (16 <sup>7</sup> / <sub>8</sub> x 18 <sup>1</sup> / <sub>4</sub> max. dim.)	3704389	2	7.80

**16.181 FRAME, Door Window Glass**

41-46	ALL	upper and sides (16 <sup>3</sup> / <sub>8</sub> high x 26 <sup>3</sup> / <sub>4</sub> wide maximum dimensions)	3657495	2	2.00
47-50	ALL	(17 <sup>3</sup> / <sub>8</sub> x 28 <sup>1</sup> / <sub>16</sub> )	3684175	2	2.00

**16.183 FILLER—WEATHERSTRIP, Door Window Glass**

36-48	ALL	rubber (25 ft. roll cut to size)	3847051	A.R.	.83
46-48	ALL	WEATHERSTRIP, rubber (50 ft. roll cut to size)	3847413	A.R.	.17 ft
47-54	ALL	WEATHERSTRIP, rubber (50 ft. roll)	3847608	A.R.	.12 ft

**16.185 MOULDING, Front Door Window Reveal**

47-51	ALL				
54	ALL (w/deluxe equip.)	left (dev. length 77 <sup>1</sup> / <sub>2</sub> ) (st. steel)	3684847	1	2.82
47-51	ALL				
54	ALL (w/deluxe equip.)	right (dev. length 77 <sup>1</sup> / <sub>2</sub> ) (st. steel)	3684848	1	2.82
47-53	ALL				
54	ALL (w/out deluxe equip.)	left (dev. length 77 <sup>1</sup> / <sub>2</sub> ) (painted)	3683403	1	2.32
47-53	ALL				
54	ALL (w/out deluxe equip.)	right (dev. length 77 <sup>1</sup> / <sub>2</sub> ) (painted)	3683404	1	2.32

**16.190 CHANNEL, Door Glass Sash**

34-40	ALL	(2 x 25 <sup>1</sup> / <sub>2</sub> overall length)	598690*	2	.97
*NOTE: When using 598690 on 1934-36 models the double arm REGULATOR 594279-80 must be used, also cut new channel to proper length using old channel as a guide.					
41-46	ALL	(2 x 25 <sup>1</sup> / <sub>2</sub> overall length)	3657491	2	.97
47-50	ALL	left, (28 inch long to hole centers)	3684169	1	.97
47-50	ALL	right, (28 inch long to hole centers)	3684170	1	.97
47-50	ALL	left, rear guide (1 <sup>5</sup> / <sub>16</sub> x 20 <sup>29</sup> / <sub>32</sub> )	3809865†	1	.75
47-50	ALL	right, rear guide (1 <sup>5</sup> / <sub>16</sub> x 20 <sup>29</sup> / <sub>32</sub> )	3809866†	1	.75
47-50	ALL	left, front guide (2 <sup>3</sup> / <sub>32</sub> x 20 <sup>29</sup> / <sub>32</sub> )	3685369	1	.75
47-50	ALL	right, front guide (2 <sup>3</sup> / <sub>32</sub> x 20 <sup>29</sup> / <sub>32</sub> )	3685370	1	.75
51-54	ALL	left, rear guide (2 <sup>3</sup> / <sub>32</sub> x 19 <sup>1</sup> / <sub>4</sub> )	3695555	1	.87
51-54	ALL	right, rear guide (2 <sup>3</sup> / <sub>32</sub> x 19 <sup>1</sup> / <sub>4</sub> )	3695556	1	.87
51-54	ALL	lower (1 <sup>1</sup> / <sub>16</sub> x 17)	3695551	2	.52
49-50	ALL	NUT, rear guide channel (10-32 stampd.-1 <sup>3</sup> / <sub>8</sub> x 1/2)	3694071	4	.05
41-52	ALL	WASHER (used as a sash channel spacer) (1 <sup>5</sup> / <sub>16</sub> I.D. x 3/8 O.D. x 3/16 thick)	3657497	8	.02
36-46	ALL	CUSHION, rubber (1/2 thick x 3/8 dia.)	3681072	2	.07
47-53	ALL	BUMPER, door window stop	4131052	4	(10.716)
29-54	ALL	FILLER, channel (.032 thick x 60 ft. roll)	603954	A.R.	(10.696)
29-54	ALL	FILLER, channel (.047 thick x 40 ft. roll)	603955	A.R.	(10.696)

†NOTE: When using 3809865-66 on 1947-49 Jobs it will be necessary to use 3694071 nut.

**16.200 CHANNEL, Door Glass Run**

36	LOW ROOF CAB	hinge side (1/2 wide x 27 <sup>1</sup> / <sub>8</sub> long x 1/2 high, rubber impregnated fabric)	475864	2	.95
37-38	ALL				
39-46	ALL	lock side (5/8 wide x 28 <sup>5</sup> / <sub>8</sub> long x 3/8 high, fabric lined)	598746	2	.95
47-50	ALL	side door (88 <sup>5</sup> / <sub>8</sub> long)	3684434	1	2.52
51-54	ALL	left, side door (5/8 x 50 <sup>1</sup> / <sub>4</sub> ) (w/retainers)	3699865	1	1.28
51-54	ALL	right, side door (5/8 x 50 <sup>1</sup> / <sub>4</sub> ) (w/retainers)	3699866	1	1.28
47-54	SUB.	side window (92 <sup>1</sup> / <sub>2</sub> long)	3807860	4	2.80
29-46	ALL	UNIVERSAL, lock side (1/2 wide x 36 long)	609528	A.R.	(10.701)

**16.223 WEATHERSTRIP, Door Header**

29-38	ALL.....	rubber (50 ft. roll, cut size).....	3692045	A.R. (10.694)	
39-46	ALL.....	felt (5/8 wide x 27 long x 1/4 high).....	598757	2	.18
29-49	ALL.....	rubber (9/16 wide x 1 1/8 high, 25 ft. roll)...	3847443	A.R. (16.225)	

**16.225 WEATHERSTRIP, Front Door Opening**

29-49	ALL (1st type).....	hinge, upper, lower and sides (rubber 25 ft. roll) (use with flat retainer).....	3847443	A.R.	.17	ft
39-46	COE.....	lower front, rubber (3/8 high x 3/16 wide x 23 3/8 long).....	3681081	2	.18	
46	ALL (exc. COE),					
47-53	ALL.....	bottom (32 1/8 long—w/lip).....	3693502	2	.57	
NOTE: When using 3693502 on models prior to 1950, 3693500 Retainer must also be used.						
49-54	ALL (2nd type).....	door opening, use with channel type retainer (24 ft. roll).....	3692458	A.R.	.28	ft
54	ALL (exc. COE).....	bottom (32 1/8 long—w/lip).....	3700548	2	.60	

**16.227 WEATHERSTRIP, Back Door**

39-46	PANEL JOBS.....	door outer (1/8 wide x 2 3/4 high x 93 long),	470519	1	1.68	
37-42	SGL. UNIT.....	door center (3/4 wide x 3/8 high x 48 1/4 long, hollow type).....	468127	1	.62	
47-54	PANEL, SUB. w/DOORS.....	door center and outer (60 ft. roll).....	3692045	A.R. (10.694)		

**16.230 RETAINER, Front Door Opening Weatherstrip**

39-46	ALL.....	left, lock pillar (3/8 wide x 38 1/8 long)....	598727	1	.38	
39-46	ALL.....	right, lock pillar (3/8 wide x 38 1/8 long)....	598728	1	.38	
47-49	ALL (1st type).....	left, lock pillar (5/8 wide x 55 long).....	3685681	1	.85	
47-49	ALL (1st type).....	right, lock pillar (5/8 wide x 55 long).....	3685652	1	.85	
39-46	ALL.....	left, headerstrip (3/8 wide x 24 1/2 long)....	598775	1	.45	
39-46	ALL.....	right, headerstrip (3/8 wide x 24 1/2 long)....	598776	1	.45	
47-49	ALL (exc. COE).....	lower, side door (1 1/16 x 34 1/8).....	3683660	2	.67	
47-54	ALL (exc. COE).....	lower, side door (1 1/16 x 32 1/8).....	3683674	2	.38	
47-49	ALL (1st type).....	left, hinge pillar (5/8 wide x 54 1/2 long)....	3685649*	1	.95	
47-49	ALL (1st type).....	right, hinge pillar (5/8 wide x 54 1/2 long)....	3685650*	1	.95	

\*NOTE: When using 3685649-50 on COE it will be necessary to cut lower end 1 1/4 below 3rd hole.

47-49	COE,					
50-54	ALL.....	bottom (1 wide x 34 1/16 long—channel)....	3693500	2	.50	
49-54	ALL (2nd type).....	left, body lock pillar—upper (5/16 wide—channel shape).....	3691189	1	.73	
49-54	ALL (2nd type).....	right, body lock pillar—upper (5/16 wide—channel shape).....	3691190	1	.73	
49-54	ALL (2nd type).....	left, body hinge pillar (5/16 wide—channel shape).....	3691191†	1	.95	
49-54	ALL (2nd type).....	right, body hinge pillar (5/16 wide—channel shape).....	3691192†	1	.95	

†NOTE: When using 3691191-2 on COE it will be necessary to cut approx. 7" from lower end.

49-54	COE (2nd type).....	side door lower (5/16 wide—channel shape)	3694020	2	.38	
49-54	ALL (2nd type).....	left or right, body lock pillar—lower (5/16 wide—channel shape).....	3691287	2	.73	

**16.231 CLIP—SCREW, Door Weatherstrip Retainer**

37-46	SGL. UNIT, COE.....		4076045	A.R. (10.695)		
37-38	ALL.....	SCREW, metal, retainer (No. 8—32 x 1 1/4 blind-ing head).....	474749	A.R.	.03	
47-54	ALL.....	SCREW, metal, retainer (8—32 x 1/2).....	3654597	A.R. (16.170)		

**16.260 REGULATOR, Door Window**

30-35	ALL.....	left, universal (ctr. of spring to ctr. of roller—11, single arm).....	603285	1	3.03	
30-35	ALL.....	right, universal (ctr. of spring to ctr. of roller—11, single arm).....	603286	1	3.03	

36-46	ALL	left (ctr. of spring to ctr. of roller—12 $\frac{1}{8}$ , two arm)	594279	1	3.02
36-46	ALL	right (ctr. of spring to ctr. of roller—12 $\frac{1}{8}$ , two arm)	594280	1	3.02
47-50	ALL	left (ctr. of spring to ctr. of roller—14, two arm)	3676433	1	4.57
47-50	ALL	right (ctr. of spring to ctr. of roller—14, two arm)	3676434	1	4.57
51-54	ALL	left (ctr. of spring to ctr. of roller—13, single arm)	3695521	1	3.57
51-54	ALL	right (ctr. of spring to ctr. of roller—13, single arm)	3695522	1	3.57

**16.261 CAM, Door Window Regulator Upper Guide**

47-52	ALL	(1 x 22 $\frac{3}{4}$ long) (cut to size)	4099974	A.R.	(11.046)
-------	-----	---	---------	------	----------

**16.270 HANDLE and PARTS, Door Window Regulator**

29-38	ALL	HANDLE	4200151	2	.90
39-46	ALL	HANDLE (4 $\frac{1}{8}$ O.L., with light brown knob)	3654632	2	.90
47-53	ALL	HANDLE (5 O.L., with black knob)	3699345	2	1.28
54	ALL	HANDLE (5 O.L., with black knob)	3702164	2	1.30
47-49	ALL	SCREW, handle to regulator	3654595	2	(11.591)
47-53	ALL	SCREW, hdl. to reg. (headless set $\frac{1}{4}$ —20 x $\frac{3}{8}$ )	3687995*	2	.05
54	ALL	SCREW, hdl. to reg. (headless set $\frac{1}{4}$ —20 x $\frac{3}{4}$ )	3707583*	2	.05
47-54	ALL	BOLT, ( $\frac{1}{4}$ —20 thd.) door window reg. hdl. and door lock remote control hdl.	3683258*	4	.02

\*NOTE: Part Nos. 3687995 (47-53) or 3707583 (54) and 3683258 are used with each other to attach door window regulator handle.

47-54	ALL	WASHER, under handle (fiber 1 $\frac{1}{2}$ I.D. x 1 $\frac{1}{8}$ O.D.)	3686121	2	.06
-------	-----	--	---------	---	-----

**16.280 WASHER, Door Window Regulator Handle Escutcheon Plate**

39-46	ALL	fiber (5 $\frac{1}{8}$ I.D. x $\frac{3}{8}$ O.D. x $\frac{1}{16}$ thick)	598875	4	.02
-------	-----	--	--------	---	-----

**16.290 MOULDING, Door Window Garnish**

39-46	ALL	front door, left front (29 $\frac{1}{2}$ dev. length)	599031	1	1.30
39-46	ALL	front door, right front (29 $\frac{1}{2}$ dev. length)	599032	1	1.30
39-46	ALL	front door, left rear (1 $\frac{1}{8}$ x 1 $\frac{1}{8}$ x 21 $\frac{3}{4}$ dev. length)	599033	1	.90
39-46	ALL	front door, right rear (1 $\frac{1}{8}$ x 1 $\frac{1}{8}$ x 21 $\frac{3}{4}$ dev. length)	599034	1	.90
47-50	ALL	left, side (14 $\frac{1}{4}$ x 27 $\frac{13}{16}$ opening)	3684481	1	4.70
47-50	ALL	right, side (14 $\frac{1}{4}$ x 27 $\frac{13}{16}$ opening)	3684482	1	4.70
51-54	ALL (exc. DELUXE)	left, side (14 $\frac{1}{8}$ x 27 $\frac{13}{16}$ opg.) (painted)	3700585	1	2.62
51-54	ALL (exc. DELUXE)	right, side (14 $\frac{1}{8}$ x 27 $\frac{13}{16}$ opg.) (painted)	3700586	1	2.62
51	ALL (DELUXE)	left, side (14 $\frac{1}{4}$ x 27 $\frac{13}{16}$ opg.) (stainless steel)	3695977	1	4.72
51	ALL (DELUXE)	right, side (14 $\frac{1}{4}$ x 27 $\frac{13}{16}$ opg.) (stainless steel)	3695978	1	4.72

**WEATHERSTRIP, Garnish Moulding Door Window**

47-54	ALL	used on door glass inner (cut to size)	4102157	A.R.	(10.710)
-------	-----	--	---------	------	----------

**16.310 ESCUTCHEON—SCREW—CLIP, Door Window Garnish Moulding**



3695964

39-46	ALL	side door ( $\frac{1}{2}$ x 1 x 1 $\frac{1}{2}$ )	598232	2	.13
34-39	ALL	SCREW, back door (No. 10—32 x $\frac{1}{8}$ binding head)	465899	A.R.	.02
36-46	ALL	SCREW, metal, front door (No. 8—32 x $\frac{1}{2}$ )	3654597	A.R.	(16.170)
51-52	ALL	CLIP, to door	3695964	4	.05



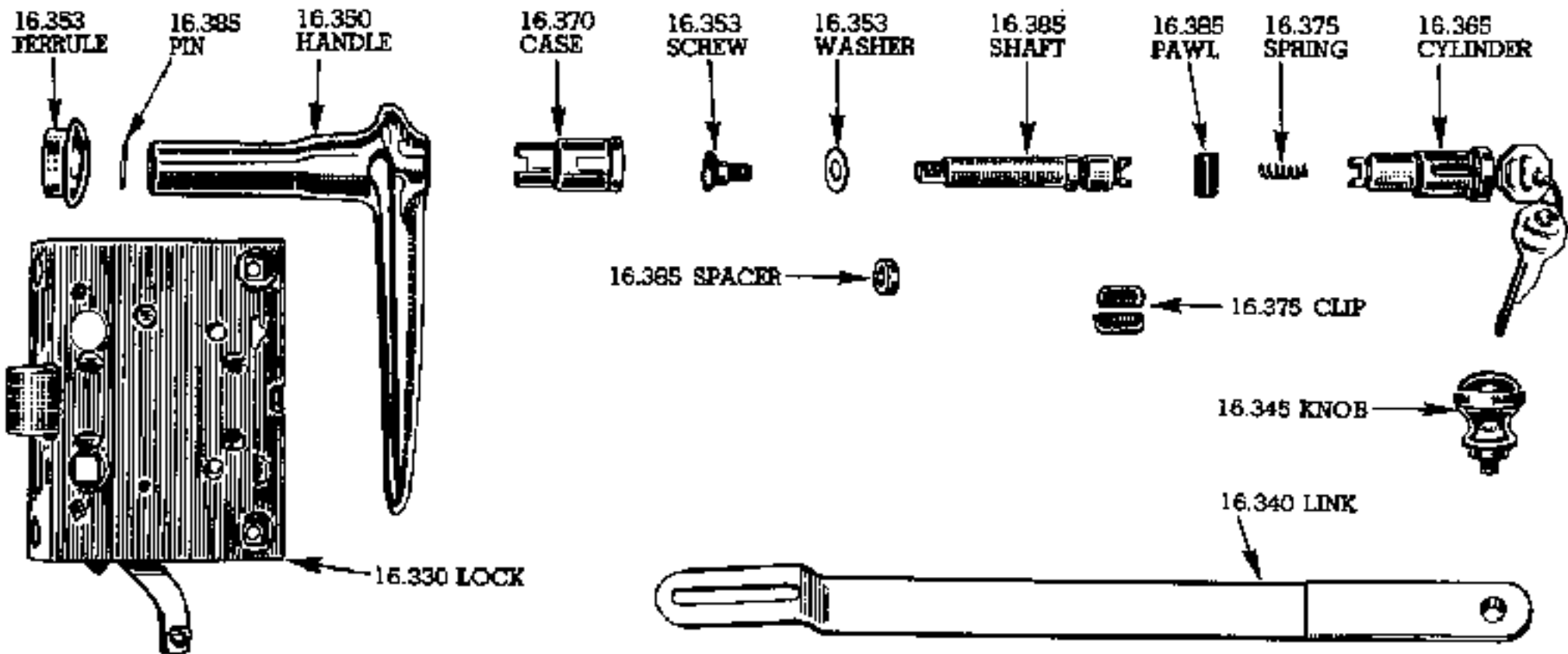
**16.320 HINGE, Front Door**

36	ALL (exc. LOW ROOF CAB)	center,			
36	LOW ROOF CAB	upper	601844	2	1.14
36	ALL	lower	601845	2	1.37
37	ALL	upper	600781	2	1.49
38	ALL	upper	603088	2	1.65
39-46	ALL	lower	603344	2	1.77
39-46	ALL	upper	603345	2	1.65
47-54	COE	left, upper	3847527	1	1.65
47-54	COE	right, upper	3847528	1	1.65
47-54	COE	left, lower	3688133	1	3.65
47-54	COE	right, lower	3688134	1	3.65
47-54	ALL (exc. COE)	left, lower	3688765*	1	2.20
47-54	ALL (exc. COE)	right, lower	3688766*	1	2.18
47-54	ALL (exc. COE)	left, upper	3688763	1	2.54
47-54	ALL (exc. COE)	right, upper	3688764	1	2.54

\*NOTE: When using 3688765-6 on 1947 models with 1" wide hinge stop, 3688763-4 must also be used.

**HINGE, Back Door**

34-36	SGL. UNIT	center and lower	600785	2	1.14
-------	-----------	------------------	--------	---	------



**FRONT DOOR LOCKING HANDLE AND PARTS**

37-38	SGL. UNIT		602501	4	1.49
39-46	SGL. UNIT		603668	4	1.49
47-54	PANEL, SUB. w/DOORS	upper	3847451	2	1.77
47-54	PANEL, SUB. w/DOORS	lower	3847452	2	1.77

**16.323 PIN-SPRING, Door Hinge**

37-38	868-71-701-3-5	back door hinge,			
39-46	ALL	front door hinge,			
47-53	COE	front door hinge, upper ( $\frac{3}{16} \times 3$ )	598653	4	.06
39-54	SGL. UNIT	back door hinge ( $1\frac{1}{8} \times 2\frac{1}{8}$ )	471209	4	.05
47-54	ALL (exc. COE)	side door hinge ( $1\frac{5}{16} \times 2\frac{1}{8}$ )	3847685	4	.06
47	ALL	SPRING, left dr. upper hinge (acts like dr. check link) (1st type "W" shape)	3690291	1	.28
47	ALL	SPRING, right dr. upper hinge (acts like dr. check link.) (1st type "W" shape)	3690292	1	.28

47-54	ALL	SPRING UNIT, (acts like dr. check link) (2nd type "C" shape)	3690447	2	.50
<b>16.325 BOLT, Door Hinge</b>					
39-46	SGL. UNIT	back door body half ( $\frac{3}{8}$ —24 x $1\frac{1}{8}$ oval cross recess head)	115176	A.R.	(8.977)
47-54	ALL	upper hinge asy., upper and lower to body hinge pillar ( $\frac{3}{8}$ —24 x $\frac{7}{8}$ )	3685462	A.R.	(10.463)
47-54	PANEL, SUB. w/DOORS	GROMMET (used on rear door body and door half hinge)	3807777*	A.R.	.23

\*NOTE: When using 3807777, four grommets are used on rear door body half hinge, and four grommets on the rear door half hinge.

### 16.328 CYLINDER and PARTS, Door Safety Lock

NOTE: Lock parts listed below are used on late 1942 jobs having lock mounted in pillar.

42	COMM., MR.				
46-51	ALL	CYLINDER (less keys and tumblers) side door,			
42-53	PANEL, SUB. w/DOORS	back door	1394993	A.R.	(10.550)
42-46	ALL	LOCK ASSY. R.H. (complete w/keys),			
47-54	PANEL, SUB. w/DOORS	back door	1393155	1	(10.548)
47-51	ALL	LOCK ASSY., R.H. (complete w/keys)	3684820	1	1.97
41-51	ALL	RETAINER UNIT, side,			
41-46	SGL. UNIT (exc. CAN. EXP.),				
47-53	PANEL, SUB. w/DOORS	rear	1394715*	1	(10.551)
42-54	ALL	RETAINER UNIT (12 retainers)	601261	A.R.	(10.553)
41-51	ALL	CASE, w/dust cover, side,			
41-46	SGL. UNIT (exc. CAN. EXP.),				
47-53	PANEL, SUB. w/DOORS	rear	1394712	1	(10.552)
42-46	ALL	SHAFT, side,			
46	SUB. w/END GATE,				
47-49	PANEL,				
50-53	PANEL, SUB. w/DOORS	rear	605325	1	(10.554)
42-54	ALL	SPRING UNIT (144 springs)	601260	A.R.	(10.553)
47-54	PANEL, SUB. w/DOORS	SPRING, retainer back door	3807283	1	.10
42-46	ALL	SPRING, retainer side door	4131755	1	(10.551)
47-51	ALL	SPRING, retainer side door safety lock ( $1\frac{3}{4}$ wide x $3\frac{1}{4}$ long)	3676359	1	.06
42-54	ALL	TUMBLER UNIT (copper)	601256	A.R.	(10.553)
42-54	ALL	TUMBLER UNIT (nickel)	601257	A.R.	(10.553)
42-54	ALL	TUMBLER UNIT (black)	601258	A.R.	(10.553)
42-54	ALL	TUMBLER UNIT (yellow)	601259	A.R.	(10.553)
35-54	ALL	KEY, blank (octagon head)	3694624	A.R.	(2.187)

\*NOTE: UNIT 1394715 consists of 1 clip, washer and spring.

### 16.330 LOCK, Front Door

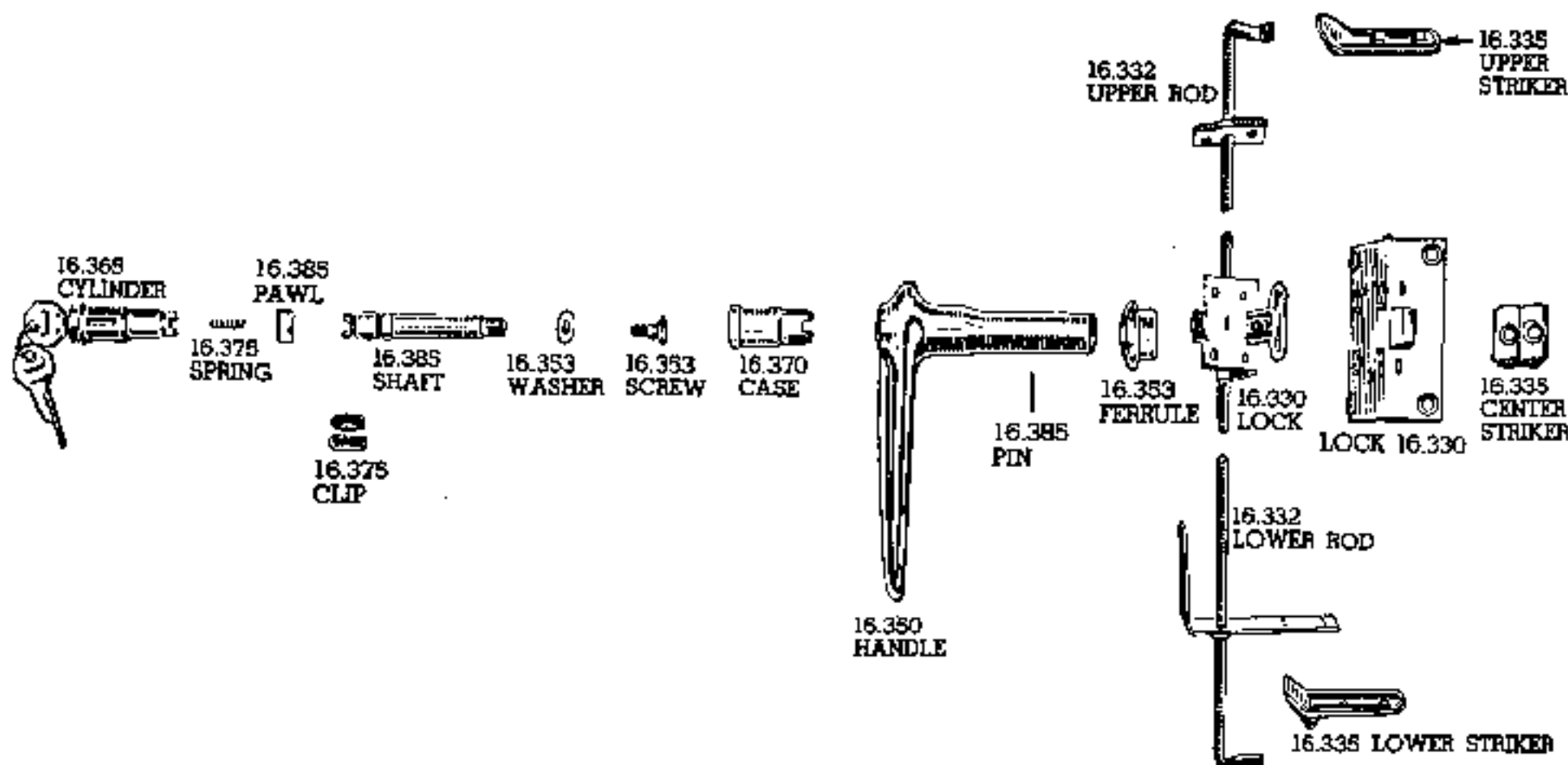
36-38	ALL	left	605567	1	2.85
36-38	ALL	right	605566	1	2.85
39-42	ALL	right (w/locking handle)	3658536	1	1.97
32-33	SGL. UNIT,				
39-46	ALL	left	3683067	1	2.18
42-46	ALL	right (w/lock in door)	3683068†	1	2.18
47-51	ALL	left ( $3\frac{3}{8}$ x $4\frac{1}{4}$ )	3684167	1	3.60
47-51	ALL	right ( $3\frac{3}{8}$ x $4\frac{1}{4}$ )	3684168	1	3.60
52-54	ALL	left	3698813	1	2.52
52-54	ALL	right	3698814	1	2.52

†NOTE: Also listed in Back Door section of this group.

### LOCK, Back Door

37-42	SGL. UNIT	right	466835	1	1.97
46	SGL. UNIT	right (w/lock in door)	3683068*	1	2.18
47-54	PANEL, SUB. w/DOORS	right	3608817	1	2.18
47-54	PANEL, SUB. w/DOORS	SUPPORT, lock outer ( $1\frac{1}{8}$ x $5\frac{1}{8}$ )	3807143	1	.40

\*NOTE: When 3683068 is used on SGL. UNIT back door, it is also necessary to use and countersink two 120387— $\frac{5}{16}$  plain washers, and cut off remote control.



## BACK DOOR LOCK PARTS

### 16.332 ROD—SPRING—CATCH—LEVER—GROMMET, Back Door Vertical Lock

39-46	SGL. UNIT.....	upper ( $\frac{5}{16}$ x 24 long, w/notched end)....	3804715	1	.62
39-48	SGL. UNIT.....	lower ( $\frac{3}{16}$ x 18 $\frac{3}{4}$ long, w/notched end)...	3804716	1	.62
47-54	PANEL, SUB. w/DOORS.....	upper and lower (23 long).....	3807240	2	.50
36-48	SGL. UNIT.....	SPRING (2 $\frac{1}{4}$ long).....	466851	1	.12
47-54	PANEL, SUB. w/DOORS.....	SPRING, lock.....	3807241	1	.10
47-54	PANEL, SUB. w/DOORS.....	SPRING, lock catch.....	3806964	2	.10
47-54	PANEL, SUB. w/DOORS.....	CATCH—upper (w/spring).....	3806961	1	1.40
47-54	PANEL, SUB. w/DOORS.....	CATCH—lower (w/spring).....	3806962	1	1.40
47-54	PANEL, SUB. w/DOORS.....	LEVER, w/shaft.....	3807146	1	1.85
50-54	PANEL, SUB. w/DOORS.....	GROMMET, rod anti-rattle ( $\frac{5}{16}$ I.D.).....	3696468	2	.06

### 16.333 HANDLE, Back Door Inside Lock

37-48	SGL. UNIT (exc. 1942).....	(4 long, ctr. to ctr. of No. 8—32 tapped holes).....	466849	1	1.20
42-48	SGL. UNIT.....	(4 long, ctr. to ctr. of $\frac{5}{16}$ —24 tapped holes).....	3804730	1	1.77
47-54	PANEL, SUB. w/DOORS.....	rear door, inside handle (1 $\frac{3}{4}$ x 3 $\frac{1}{4}$ ).....	3807362	1	.65
37-48	SGL. UNIT (exc. 1942).....	SCREW (No. 8—32 x $\frac{1}{16}$ fill. head).....	466850	2	.12

### 16.335 STRIKER—SPACER—SHIM, Front Door Lock

36-38	ALL (exc. HIGH ROOF CAB).....	(base 1 $\frac{1}{2}$ square x 1 $\frac{1}{2}$ high, w/teeth)....	476474	2	.35
39-46	ALL.....	(base 1 $\frac{1}{2}$ x 1 $\frac{1}{2}$ x 1 $\frac{1}{2}$ high, w/teeth)....	598777	2	.35
47-51	ALL.....	left (2 $\frac{1}{2}$ x 5 $\frac{1}{16}$ ).....	3684235	1	.47
47-51	ALL.....	right (2 $\frac{1}{2}$ x 5 $\frac{1}{16}$ ).....	3684236	1	.47
52-54	ALL.....	left (1 $\frac{3}{4}$ x 5 $\frac{1}{16}$ ).....	3698843	1	.47
52-54	ALL.....	right (1 $\frac{3}{4}$ x 5 $\frac{1}{16}$ ).....	3698844	1	.47
52-54	ALL.....	SPACER ( $\frac{3}{4}$ x 1 $\frac{3}{8}$ ) (serrated).....	3698848	1	.13
47-48	ALL.....	SHIM (1 $\frac{1}{8}$ wide x 1 $\frac{1}{8}$ long).....	3689312	A.R.	.06

### STRIKER, Back Door Lock

37-46	SGL. UNIT.....	upper (1 $\frac{1}{8}$ x 2 $\frac{5}{8}$ long).....	466803	1	.42
37-46	SGL. UNIT.....	left (base 1 $\frac{1}{8}$ x 1 $\frac{1}{2}$ x 1 $\frac{1}{16}$ high, with teeth).....	469577	1	.35
39-46	SGL. UNIT.....	lower (1 $\frac{5}{8}$ x 3 long).....	470230	2	.35
47-54	PANEL, SUB. w/DOORS.....	upper (1 $\frac{3}{8}$ x 2 $\frac{3}{4}$ ).....	3807238	1	.40
47-54	PANEL, SUB. w/DOORS.....	lower (2 x 2 $\frac{1}{4}$ ).....	3807114	1	.40
47-54	PANEL, SUB. w/DOORS.....	center (1 $\frac{1}{2}$ x 1 $\frac{1}{16}$ ).....	3807481	1	.47

**16.340 LINK, Front Door Lock Remote Control Connecting**

36-38	ALL	(1 $\frac{1}{8}$ wide x 11 $\frac{1}{8}$ long)	465706	2	.28
39-46	ALL	( $\frac{5}{8}$ wide x 11 $\frac{1}{8}$ long)	598912	2	.12

**16.341 CONTROL—SPRING, Door Lock Remote**

39-46	ALL	(1 in. diameter x 1 $\frac{1}{8}$ thick)	598907	2	.62
47-51	ALL	left, w/link	3690223	1	.95
47-51	ALL	right, w/link	3690224	1	.99
52-54	ALL	left	3698877	1	1.03
52-54	ALL	right	3698878	1	1.03
39-46	ALL	SPRING, control, left (1 $\frac{1}{8}$ O.D.—1 $\frac{1}{4}$ coil)	3661465	1	.06
39-46	ALL	SPRING, control, right (1 $\frac{1}{8}$ O.D.—1 $\frac{1}{4}$ coil)	3661466	1	.08

**16.345 KNOB—HANDLE—SPACER—WASHER—BOLT—SCREW, Door Lock Remote Control**

34-38	ALL	KNOB (1 in. dia. x 1 $\frac{3}{8}$ height, $\frac{5}{16}$ —24 thd., nickel)	373434	2	.53
39-46	ALL	HANDLE, (5 long, chrome)	3654593	2	.95
47-53	ALL	HANDLE	3683605	2	.95
54	ALL	HANDLE	3707582	2	.95
42	ALL	SPACER, jobs w/lock in door ( $\frac{1}{2}$ I.D. x $\frac{5}{8}$ O.D. x $\frac{5}{16}$ thick)	3665880	1	.07
47-54	ALL	WASHER, rubber ( $\frac{1}{16}$ I.D.) used as side door trim panel to inner panel spacer for remote control handle	3686114	4	(10.517)
39-42	ALL	WASHER, handle	598875	2	(16.280)
47-54	ALL	WASHER, under handle (fiber 1 $\frac{1}{8}$ I.D. x 1 $\frac{1}{8}$ O.D.)	3686121	2	(16.270)
47-54	ALL	BOLT, remote control handle ( $\frac{1}{4}$ —20)	3683258*	2	(16.270)
47-53	ALL	SCREW, remote control hdl. (headless set $\frac{1}{4}$ —20 x $\frac{3}{8}$ )	3687995*	2	(16.270)
54	ALL	SCREW, remote control handle (headless set $\frac{1}{4}$ —20 x $\frac{3}{4}$ )	3707583*	2	(16.270)

\*NOTE: Part Nos. 3687995 (47-53) or 3707583 (54) and 3683258 are used with each other to attach door lock remote control handle.

**16.350 HANDLE ASSEMBLY, Door, Lock Outside (w/cyl. and two keys)**

39-42	ALL	side, R.H. (coded 8000 to 9499, incl.)			
40-42	ALL	front right and back door	3654633	1	5.15

**HANDLE, Door, Outside Locking**

35-38	ALL	front right and back door, less lock cylinder and shaft (5 $\frac{1}{8}$ x 3 $\frac{1}{8}$ overall length, nickel)	474991	1	2.57
39-42	ALL	front right and back door, less lock cylinder and shaft (6 x 3 $\frac{1}{2}$ overall length, chrome)	3654591	1	2.68
52-54	ALL	front, less cylinder	3698881*	2	2.40
29-46	ALL	FERRULE	4125630	A.R.	(10.537)
39-46	ALL	GROMMET, ferrule	4082057	A.R.	(10.538)
32-46	ALL	SCREW ( $\frac{1}{4}$ —28 x 1 $\frac{1}{2}$ clutch head), rear door lock handle	3654594	2	(10.540)
47-53	PANEL, SUB. w/DOORS	WASHER (1 $\frac{1}{16}$ I.D. x $\frac{5}{8}$ O.D. x $\frac{1}{16}$ )	4240198	2	(10.546)
32-46	ALL	FILLER, used as GASKET on side door outside handle (.032 thick) (cut to size)	603954	A.R.	(10.696)
47-49	ALL				
50-53	PANEL, SUB. w/DOORS				

\*NOTE: To install L.H. locking mechanism use 3700318, 3700319 and 7003044.

**16.353 PARTS, Front Door Outside Handle**

52-54	ALL	BUTTON, push—L.H. (2 $\frac{1}{4}$ O.L.)	3698883	1	.72
52-54	ALL	SPRING, push button ( $\frac{1}{8}$ O.D. x 2 long)	3698885	2	.10
52-54	ALL	SEAT, push button spring (1 O.D.)	3698886	2	.06
52-54	ALL	STOP, push button (1 O.D.)	3698887	2	.07
52-54	ALL	GASKET UNIT, contains two gaskets	3700098	2	.12
52-54	ALL	RETAINER, push button spring	4168353	4	(10.529)
52-54	ALL	RING, push button	4168356	4	(10.529)



**16.360 HANDLE, Door, Outside (non locking type)**

34-38	ALL	left (4 $\frac{1}{8}$ x 5 overall length, nickel)	374267	1	2.68
39-46	ALL	left (5 $\frac{1}{4}$ x 4 $\frac{1}{8}$ overall length, chrome) Used on right side on Jobs w/pillar lock. Used on PANELS—Back door (Lock in door)	3654589	A.R.	2.67
47-51	ALL	left	3686255	1	3.27
47-51	ALL	right	3686256	1	3.27
47-54	PANEL, SUB. w/DOORS	used on back door (5 x 7 $\frac{1}{4}$ overall)	3808852	1	3.70

**16.365 CYLINDER, Door Outside Handle Lock**

35-42	ALL	less keys and tumblers, uncoded for single-bitted keys	601893	A.R.	.98
35-42	ALL	with case and 2 keys, coded to no specified key number, for single-bitted keys	474992	A.R.	1.63
52-54	ALL	w/shaft (less tumblers)	3700318	2	.97

NOTE: Component parts of door safety lock used on late 1942 jobs are listed in Group 16.328.

**16.370 CASE—SLEEVE—CAP, Door Outside Handle Lock Cylinder**

35-42	ALL	for single-bitted keys (1 $\frac{3}{8}$ long)	601892	A.R.	.33
52-54	ALL	SLEEVE, left	3700319	1	.26
52-54	ALL	SLEEVE, right	3700320	1	.26
52-54	ALL	CAP, push button	7003044	2 (10.552)	

**16.375 SPRING, Door Outside Handle Lock**

35-42	ALL	( $\frac{3}{16}$ O.D. x $1\frac{1}{8}$ long, 9 $\frac{1}{2}$ coils)	474998	A.R.	.05
34-42	ALL	CLIP, cyl. to handle	600965	A.R.	.06

**16.385 SHAFT—PAWL—SPACER—PIN, Door Lock Outside Handle**

35-38	ALL	for handle 474991 (2 $\frac{29}{32}$ long)	474999	A.R.	.83
39-42	ALL	(2 $\frac{1}{16}$ long)	599067	A.R.	.83
34-42	ALL	PAWL ( $\frac{5}{16}$ x $\frac{5}{32}$ x $\frac{19}{32}$ long)	601199	A.R.	.08
32-46	ALL	SPACER ( $\frac{5}{16}$ I.D. x $1\frac{1}{32}$ O.D. x $\frac{3}{16}$ thick)	369035	A.R.	.07
37-51	ALL	PIN	103677	A.R.	(8.939)

**16.392 LEVER, Front Door Inside Locking**

34-40	ALL	( $\frac{5}{8}$ high x 1 $\frac{21}{32}$ long, chrome)	3654592	1	.57
41-46	ALL	( $\frac{5}{8}$ high x 1 $\frac{21}{32}$ long, chrome)	3658537	1	.57
41-46	ALL	SCREW (No. 6—32 x $\frac{3}{8}$ clutch fillister head, $\frac{5}{16}$ diameter)	3658538	1	.07

**16.400 BUMPER—PACKING—SHOE, Door**

36-46	ALL (exc. HIGH ROOF CAB)	front door, body hinge pillar (rubber)	3681070	4 (10.587)	
37-39	ALL	front door, body hinge pillar, upper	4063520	2 (10.587)	
36-46	ALL	body lock pillar ( $\frac{5}{8}$ x $\frac{1}{4}$ x $1\frac{3}{16}$ )	3681078	4	.13
47-54	ALL	(use w/door lock striker) ( $\frac{5}{16}$ dia. x $\frac{5}{8}$ long)	3684752	4	.08
29-46	ALL (exc. OPEN CAB)	PACKING, door dovetail bumper (rubber)	3681079	4 (10.578)	
29-46	ALL (exc. OPEN CAB)	SHOE, door dovetail bumper	4220099	4 (10.581)	

**16.405 BUMPER, Door Dovetail**

37-46	SGL. UNIT	back door, w/casing and shoes	3806246	1	.98
47-54	PANEL, SUB. w/DOORS	w/casing (use w/L.H. back door)	3807343	1	.98

NOTE: Casing and bumper for side doors on 1947-52 models included in striker, Group 16.335.

**16.410 RETAINER—SCREW, Door Dovetail Bumper Cover**

36-46	ALL	front door bumper shoe (2 $\frac{3}{4}$ long)	477365	2	.12
40-46	ALL	SCREW (No. 8—32 x $\frac{1}{8}$ flat clutch head)	477366	8 (16.170)	

**16.420 PLATE, Door Dovetail Bumper Wedge**

33-46	SGL. UNIT.....	back door (1 $\frac{1}{8}$ wide x 2 $\frac{3}{8}$ x $\frac{3}{4}$ high)....	463145	1	.52
35-46	ALL.....	front door (1 $\frac{1}{8}$ wide x 3 $\frac{1}{2}$ long x $\frac{3}{4}$ high, weld-on type).....	474884	2	.27
47-54	PANEL, SUB. w/DOORS.....	back door bumper wedge (1 $\frac{1}{8}$ x 2 $\frac{1}{2}$ )....	3807344	1	.27

**16.430 LINK—CHECK—STOP, Door Check**

39-46	ALL.....	front door, w/bumper.....	3681747	2	.57
NOTE: When using 3681747 on 1939-42 models it is necessary to use 3681749 PIN and 3681750 CHECK SPRING.					
47-54	PANEL.....	CHECK, left back door.....	3808379	1	2.42
47-54	PANEL.....	CHECK, right back door.....	3808380	1	2.42
50-54	SUB. w/DOORS.....	CHECK, left.....	3809761	1	1.43
50-54	SUB. w/DOORS.....	CHECK, right.....	3809762	1	1.43
39-46	PANEL JOBS.....	STOP UNIT, back door (including 180° hinge)	603825	1	5.00

**16.437 PARTS, Door Check Link Retaining**

37-46	ALL.....	RETAINER, door check pin, spring steel (hair- pin type).....	595056	2	.02
46	ALL.....	SPRING, door check (double coil type).....	3681750	2	.06
37-46	SGL. UNIT.....	CUSHION, check nut, back door ( $\frac{1}{4}$ I.D. x $\frac{3}{4}$ O.D. x $\frac{1}{2}$ long).....	469719	2	.03
37-42	ALL.....	PIN, link ( $\frac{1}{4}$ x 1 $\frac{5}{8}$ long).....	595053	2	.07
NOTE: Use 595053 on jobs equipped with link having countersunk hole in rubber.					
46	ALL.....	PIN, link ( $\frac{1}{4}$ x 1 $\frac{23}{32}$ long).....	3681749	2	.07
37-46	SGL. UNIT.....	NUT, back door ( $\frac{3}{8}$ -24 x 1 $\frac{1}{8}$ diameter).....	469664	2	.20

**16.440 BRACKET—HOUSING—IRON, Door Check**

37-46	ALL.....	body (1 $\frac{3}{8}$ x 3 long x $\frac{1}{16}$ high).....	596409	2	.40
39-46	SGL. UNIT.....	back door (1 $\frac{1}{8}$ x 2 long).....	471249	2	.13
39-46	SGL. UNIT.....	HOUSING, back door (3 x 8 $\frac{1}{8}$ long).....	471248	2	.35
39-46	SGL. UNIT.....	IRON, wear, back door ( $\frac{3}{4}$ x $\frac{1}{8}$ x 3 long)....	471252	2	.08

**16.450 HANDLE—SPACER—REINFORCEMENT, Body Side Assist**

39-46	COE.....	(3 $\frac{1}{2}$ wide x 6 long ctr. hole to ctr. hole)...	3650574	2	1.72
47-54	COE.....	(7 $\frac{7}{8}$ long ctr. hole to ctr. hole).....	3699192	2	1.41
39-46	COE.....	SPACER ( $\frac{5}{8}$ I.D.—1 O.D. $\frac{1}{4}$ thick).....	3650711	2	.07
39-46	COE.....	REINFORCEMENT (1 $\frac{3}{8}$ x 2 x $\frac{1}{8}$ —with $\frac{5}{8}$ hole)	3650712	2	.07
47-54	COE.....	REINFORCEMENT (9 $\frac{3}{8}$ x 1 $\frac{1}{4}$ with $\frac{3}{8}$ hole)...	3686326	2	.62

**16.464 GLASS, Rear Corner Window**

47-54	CCAB.....	left (7 $\frac{1}{4}$ x 13 $\frac{3}{4}$ ) (stamped "C").....	3684689	1	7.34
47-54	CCAB.....	right (7 $\frac{1}{4}$ x 13 $\frac{3}{4}$ ) (stamped "C").....	3684690	1	7.34
53-54	CCAB.....	left, tinted (7 $\frac{1}{4}$ x 13 $\frac{3}{4}$ ).....	3704391	1	7.77
53-54	CCAB.....	right, tinted (7 $\frac{1}{4}$ x 13 $\frac{3}{4}$ ).....	3704392	1	7.77

**GLASS, Back Window (safety)**

39-42	CCAB.....	on jobs w/die cast moulding (9 $\frac{1}{4}$ x 27 $\frac{3}{8}$ )....	599070	1	5.92
42-46	CCAB.....	on jobs without moulding (9 $\frac{1}{8}$ x 27 $\frac{3}{8}$ )....	3665231	1	5.37
39-46	PANEL JOBS.....	back door (8 $\frac{3}{4}$ x 15 $\frac{5}{8}$ ).....	471468	2	2.75
47-54	CCAB, CANOPY EXPRESS.....	back window (10 $\frac{1}{4}$ x 31 $\frac{3}{8}$ ).....	3682304	1	6.22
47-54	PANEL, SUB. w/DOORS.....	left rear door (9 $\frac{5}{8}$ x 19 $\frac{1}{8}$ ).....	3806969	1	4.51
47-54	PANEL, SUB. w/DOORS.....	right rear door (9 $\frac{5}{8}$ x 19 $\frac{1}{8}$ ).....	3806970	1	4.51
53-54	CCAB, CANOPY EXPRESS.....	tinted (10 $\frac{1}{4}$ x 31 $\frac{3}{8}$ ).....	3704390	1	6.90
53-54	SUB. w/DOORS.....	left, rear door (tinted) (9 $\frac{5}{8}$ x 19 $\frac{1}{8}$ ).....	3704383	1	5.25
53-54	SUB. w/DOORS.....	right, rear door (tinted) (9 $\frac{5}{8}$ x 19 $\frac{1}{8}$ ).....	3704384	1	5.25

**16.469 WEATHERSTRIP—RETAINER, Rear Corner Window**

47-54	CCAB.....	rubber (50 ft. roll).....	3847414	A.R.	.28 ft
47-54	CCAB.....	RETAINER, rubber (50 ft. roll).....	3847415	A.R.	.10 ft

**16.470 WEATHERSTRIP, Back Window Glass**

29-36	HIGH ROOF CAB,			
39-40	CANOPY EXPRESS,			
47-53	SUB. W/END GATE.....	rubber ( $1\frac{1}{2}$ base x $1\frac{1}{2}$ high).....	4070069	A.R. (11.207)
39-46	PANEL JOBS.....	moulded in one piece ( $11\frac{1}{8}$ x $\frac{5}{8}$ x $9\frac{5}{8}$ wide 16 $\frac{3}{8}$ long).....	3806252	2 .83
39-42	CCAB.....	moulded in one piece ( $13\frac{1}{2}$ x $2\frac{3}{4}$ x $10\frac{1}{2}$ wide x 28 $\frac{1}{2}$ long) (used on jobs with die cast moulding).....	599071	1 1.95
47-54	PANEL, SUB. w/DOORS.....	back window (one piece).....	3807535	2 1.40
42-54	CCAB.....	back window (rubber 50 ft. roll).....	3847414	A.R. (16.469)

**16.471 RETAINER, Back Window Glass Weatherstrip**

39-46	PANEL.....	back door w/strip ( $\frac{3}{4}$ wide x $1\frac{1}{4}$ long)...	471470	6 .06
47-54	CCAB.....	back window (rubber 50 ft. roll).....	3847415	A.R. (16.469)

**16.475 MOULDING, Back Window Glass**

39-46	CCAB.....	one piece ( $10\frac{3}{4}$ x $28\frac{1}{2}$ ) (not used on jobs having rubber moulding).....	3667017	1 2.38
47-51	PANEL,			
54	SGL. UNIT (exc. CAN. EXPRESS).....	left ( $\frac{1}{2}$ wide x $53\frac{3}{4}$ dev. length).....	3807421	1 1.67
47-51	PANEL,			
54	SGL. UNIT (exc. CAN. EXPRESS).....	right ( $\frac{1}{2}$ wide x $53\frac{3}{4}$ dev. length).....	3807422	1 1.67
39-42	CCAB.....	SCREW (No. 10-32 x $1\frac{1}{2}$ ).....	3667020	14 .12
47-48	PANEL.....	CLIP, reveal moulding.....	4114230	A.R. (10.708)
49-51	PANEL.....	CLIP, reveal moulding.....	2121310	20 (10.252)

**16.494 LAMP ASSEMBLY, Dome**

47-54	ALL.....	body assy. (less glass) ( $2\frac{1}{8}$ x $6\frac{3}{4}$ ).....	5937080	1 2.50
47-54	ALL.....	SCREW (8-32 x $\frac{1}{8}$ ).....	924552	A.R. (2.736)

**16.495 GLASS, Dome Lamp**

37-42	SGL. UNIT,			
46	PANEL.....	with rim.....	4073976	1 (11.928)
47-53	ALL.....	(use w/lamp assy. 5937080).....	5936973	1 1.10
54	ALL.....	(use w/5937080 lamp).....	5942557	1 1.10
34-42	ALL.....	PLUNGER, for jobs equipped with pillar switch	484608	1 (11.946)
32-46	SGL. UNIT.....	SWITCH.....	4102342	1 (11.935)
32-46	SGL. UNIT.....	PLATE, switch.....	4116140	1 (11.938)
32-36	303, 714, 893, 620.....	SCREW, switch terminal wire.....	4048053	1 (11.936)
47-54	ALL.....	CLIP, dome lamp wire assy.....	3684663	A.R. (16.065)

**16.507 PILLAR, Front Body Hinge**

47-53	ALL (exc. COE).....	left.....	3692943*	1 4.89
47-53	ALL (exc. COE).....	right.....	3692944*	1 4.89
47-53	COE.....	left.....	3702397	1 3.80
54	ALL (exc. COE).....	left.....	3700481	1 4.95
54	ALL (exc. COE).....	right.....	3700482	1 4.95
54	COE.....	left.....	3700488	1 3.80
54	COE.....	right.....	3700486	1 3.80

\*NOTE: When installing 3692943-4 on 1947-49 models, use 3809673-4 side rail (Group 16.553).

**16.509 BRACE-BRACKET, Body Hinge Pillar**

39-46	ALL.....	left, hinge pillar to sill.....	599637	1 .33
39-46	CCAB.....	BRACKET, left, cowl bar to hinge pillar.....	598923	1 .32
39-46	CCAB.....	BRACKET, right, cowl bar to hinge pillar.....	598924	1 .32

**16.510 RAIL, Roof Front**

39-46	ALL.....		598694	1	4.28
-------	----------	--	--------	---	------

**16.520 PILLAR, Body Lock**

39-46	CCAB.....	left.....	598933	1	4.38
39-46	CCAB.....	right.....	598934	1	4.38
47-51	CCAB.....	left.....	3809237	1	5.15
47-51	CCAB.....	right.....	3809238	1	5.15
52-53	CCAB.....	left.....	3698839	1	5.48
52-53	CCAB.....	right.....	3698840	1	5.48
54	CCAB.....	left.....	3703551	1	5.50
54	CCAB.....	right.....	3703552	1	5.50

**16.536 PANEL, Front Door Lock**

39-46	ALL.....	left (w/lock in door).....	3666691	1	2.17
39-46	ALL.....	right (w/lock in door).....	3666692	1	2.17

**16.544 PAN-SPACER, Front Toe**

41-46	COE.....	metal, upper left (4 1/8 x 10 1/8 long).....	3657095	1	.65
41-46	COE.....	right (12 1/8 x 9 1/8 long).....	3656792	1	1.57
41-46	ALL (exc. COE).....	(10 3/4 x 34 long).....	3693869	1	6.25
47	COMM., SUB. w/END GATE,				
48-53	1 TON.....	SPACER, frt. fender skirt to toe panel.....	3686945	1	(8.153)

**16.546 PAN-PANEL, Floor**

37-38	ALL.....	metal (16 3/4 x 34 7/8 long, rectangular hole for 4 speed transmission).....	594993	1	2.51
41-46	1/2 TON.....	metal (19 3/4 x 34 7/8 long, ctr. of master cylinder inspection hole from left side 10 9/16, with round hole for 3 speed transmission).....	3681279	1	2.51
41-46	1/2 TON.....	metal (19 3/4 x 34 7/8 long, ctr. of master cylinder inspection hole from left side 10 9/16, with rectangular hole for 4 speed transmission).....	3681395	1	2.51
41-46	AL, AM, BL, BM, DR.....	metal (19 3/4 x 34 7/8 long, ctr. of master cylinder inspection hole from left side 5 1/16, with round hole for 3 speed transmission).....	3681281	1	2.51
41-46	COMM., UTILITY (exc. 1/2 TON, COE, PK).....	metal (19 3/4 x 34 7/8 long, ctr. of master cylinder inspection hole from left side 5 1/16, with rectangular hole for 4 speed transmission).....	3681275	1	3.15
47-54	COE.....	right floor side (11 1/16 x 25 13/16).....	3686336	1	2.98
47-54	COE.....	left floor side (12 1/2 x 22 3/8).....	3686333	1	4.68
47	FLAT FACE COWL (4-spd.).....	PANEL (7 1/8 x 52 1/8).....	3684801	1	3.15
48-54	FLAT FACE COWL (4-spd.).....	PANEL (7 1/8 x 52 1/8).....	3687363*	1	3.15

\*NOTE: When using 3687363 on 1948-51 1/2, 3/4 TON, 1952 COMM. (exc. D-D) it will be necessary to cut hole for brake lever.

**RETAINER-STUD, Floor Pan**

41-46	ALL (exc. COE).....	(2 1/8 x 7 11/16 long, w/brake pedal cutout 2 1/16 deep).....	3657131	1	.33
47-54	COE.....	special lock stud.....	3686475*	A.R.	.06
47-54	COE.....	STUD, 1/4 special lock.....	3686472*	A.R.	.10

\*NOTE: (8) required to attach PAN 3686333, (10) required to attach PAN 3686336.

**16.546 PLATE-GROMMET, Toe or Floor Board**

40	ALL (exc. COE).....	toe pan (4 3/4 x 8 1/2 long).....	3653573	1	.65
41-46	ALL (exc. COE).....	upper, toe pan (4 11/16 x 7 11/16 long, with brake pedal cutout 2 1/16 deep).....	3657109	1	.32
41-46	ALL (exc. COE).....	lower, toe pan (1 3/4 x 7 3/8 long).....	3657133	1	.25
29-46	ALL (exc. COE).....	GROMMET, steering gear mast jacket.....	357507	1	(6.758)
40-41	COE.....	GROMMET, steering gear mast jacket.....	3650830	1	(6.758)



**16.547 COVER, Inspection (Battery—Oil Filler—Brake Cylinder—Transmission—Steering Gear—Parking Brake)**

40-46	ALL (exc. COE)	battery inspection (4½ x 11)	3652966	1	.38
47-54	ALL	battery inspection (9¾ x 12½)	3683383	1	2.42
39-53	ALL (exc. COE)	brake main cylinder	592865	1	(12.541)
47-54	½, ¾ TON (exc. FFC, D-D) (3-SPD.)	trans. (15¾ x 20¼)	3697605	1	2.10
47	COMM, SUB, W/END GATE, QJ, QK, QV, QW (4-SPD.)	trans. (18½ x 20¼)	3682939	1	2.12
48-54	UTIL., 1 TON (exc. COE)	trans. (15¾ x 20¼)	3697608	1	1.88
48-54	½, ¾ TON (4-SPD.) (exc. FFC, D-D)	trans. (18¾ x 20)	3697607	1	1.63
47-54	COE	floor pan oil filler hole (7 x 12¾)	3686339*	1	1.77
47	ALL (exc. COE)	steering gear toe pan (3½ x 7½)	3685975	1	.33
48-54	1 TON, UTIL. (exc. KS, L, D-D, COE)	parking brake floor hole (2½ x 3½ x 4½)	3694127	1	.22
47-54	ALL	LATCH, battery cover (11½ dev. length)	3683401	2	.17

\*NOTE: One retainer 3686475 group 16.545 required to attach cover assy.

**16.548 SUPPORT—SEAL—LATCH, Toe Board or Toe Pan**

41-46	ALL	left	3681971	1	1.57
41-46	ALL	right	3656238	1	1.57
41-46	ALL	SEAL, support to side sill (1¼ thick, rubber)	3656231	2	.48
41-46	ALL	SEAL, toe pan support to cowl panel	3681064	2	.27
47-54	COE	LATCH, oil filler cover (1¾ x ¼ dia. w/handle)	3686897	1	.27

**16.549 COVER—RETAINER—INSULATOR, Engine**

41-46	COE	engine (11 wide x 30 long)	3647003	1	8.63
47-54	COE	engine (12 wide x 28¼ long)	3686239	1	6.35
47-54	COE	RETAINER, engine cover (12 wide x 27½ long)	3686343	1	2.53
47-54	COE	INSULATOR, engine cover (bonded felt)	3686731	1	1.58

**16.550 COWL ASSY., w/Dash**

41-46	ALL (exc. COE)	windshield type, with toe board supports, front side sill and vent., less instrument panel	605197	1	65.38
41-46	ALL (exc. COE)	flat face type, less instrument panel	604961	1	50.29
47-50	COE	windshield type, with instrument panel, body hinge pillar, toe panel, top and side rails	3693417	1	71.08
47-53	FFC	less instrument panel	3694627	1	82.00
47-50	ALL (exc. COE, FFC)	with instrument panel, body hinge pillar, side vents, toe panel, upper and side rails	3696433	1	95.68
51-53	ALL (exc. COE, FFC)	with instrument panel, body hinge pillar, side vents, toe panel, upper and side rails	3696815	1	95.68
51-53	COE	with instrument panel, body hinge pillar, toe panel, top and side rails	3698407	1	71.08
54	ALL (exc. COE, FFC)	with instrument panel, body hinge pillar, side vents, toe panel, upper and side rails	3709413	1	
54	COE	with instrument panel, body hinge pillar, top and side rails	3700841	1	72.50
54	FFC	less instrument panel	3709411	1	

**16.551 PANEL—RAIL—COVER—SEAL, Cowl Side**

47-53	ALL (exc. COE)	right outer	3683002	1	3.80
47-50	ALL (exc. COE)	left inner	3693495	1	4.08
47-54	ALL (exc. COE)	right inner	3809358	1	4.08
47-53	ALL (exc. COE, FFC)	left outer	3696021	1	4.17
51-54	ALL (exc. COE, FFC)	left inner	3696023	1	3.92
54	ALL (exc. COE)	left, outer	3705891	1	4.25
54	ALL (exc. COE)	right, outer	3705892	1	4.25
47-54	ALL (exc. COE)	RAIL, left (at front lower corner of cowl)	3684031	1	2.35
47-54	ALL (exc. COE)	RAIL, right (at front lower corner of cowl)	3684032	1	2.35
47-54	ALL	COVER, right inner panel (7 x 11½)	3684403	1	.35
47-54	ALL	SEAL, inner panel (1 high x 13¼ long) sponge rubber	3692302	2	.35

**16.553 RAIL, Windshield**

47-53	ALL	upper	3809231	1	4.07
47-49	ALL				
50-53	ALL (exc. COE.)	left	3809673	1	2.17
47-49	ALL				
50-53	ALL (exc. COE.)	right	3809674	1	2.17
54	ALL	upper	3703442	1	4.50
54	ALL	left	3700477	1	3.25
54	ALL	right	3700478	1	3.25

**16.554 BRACKET, Dash Hood Hinge Rod**

34-47	ALL (exc. COE)		473987	1	(8.058)
-------	----------------	--	--------	---	---------

**16.562 PANEL, Windshield Header**

39-46	ALL		598772	1	3.65
37-46	ALL	SCREW (No. 8—32 x 1/2 binding head)	3654597	10	(16.170)

**16.563 PLATE, Windshield Wiper Inspection Hole Cover**

39-46	ALL	left (4 x 6 1/8, with 6 holes)	598811	1	.65
39-46	ALL	right (4 x 6 1/8, with 4 holes)	598813	1	.65
37-46	ALL	SCREW (No. 8—32 x 1/2 binding head)	3654597	8	(16.170)

**16.578 PANEL, Body Hinge Pillar**

39-46	CCAB	left	598673	1	.48
39-46	CCAB	right	598674	1	.48
39-46	ALL	left, inner cover	598849	1	.92
39-46	ALL	right, inner cover	598850	1	.92
47-53	ALL	left, outer upper	3807227	1	.60
47-53	ALL	right, outer upper	3807228	1	.60
54	ALL	left, outer upper	3700837	1	.60
54	ALL	right, outer upper	3700838	1	.60
37-53	ALL	SCREW (No. 8—32 x 1/2 binding head)	3654597	A.R.	(16.170)

**16.585 PANEL, Roof outer—w/upper back and partial pillar cover**

39-46	CCAB		3655396	1	36.63
47-53	CCAB	w/qr. windows (less inner panels)	3693099	1	42.56
47-53	CCAB	w/out qr. windows (less inner panels)	3693001	1	43.23
54	CCAB	w/qr windows (less inner panels)	3703682	1	45.00
54	CCAB	w/out qr. windows (less inner panels)	3702951	1	45.00

**16.587 PANEL, Cab Lower Back—Outer**

39-46	CCAB (exc. COE)		598571	1	9.45
39-46	COE		3650573	1	9.45
47-54	CCAB	(less inner panels)	3693000*	1	15.00
47-48	CCAB	COVER, gas tank filler neck hole	2258045*	1	1.07

\*NOTE: When using 3693000 on 1947-48 jobs, it will be necessary to plug gas tank filler neck hole with 2258045.

**16.588 PANEL, Cab Side—Outer**

39-40	COE	left, step (11 1/8 high x 23 1/8 long)	3650497	1	2.82
39-40	COE	right, step (11 1/8 high x 23 1/8 long)	3650498	1	2.82
41-46	COE	left, step (11 1/8 high x 25 1/8 long)	3657121	1	2.82
41-46	COE	right, step (11 1/8 high x 25 1/8 long)	3657122	1	2.82

**16.589 PANEL, Rear Upper Inner Lining (Metal)**

NOTE: See Group 16.742 for top lining panel.

39-46	CCAB		3665253	1	6.89
-------	------	--	---------	---	------

NOTE: When using 3665253 on jobs with die cast rear window mldgs. it will be necessary to rework outer panel back window flange to match inner panel opening. It will also be necessary to use 3665231—back window glass and 3847414—glass mounting weatherstrip.

47-54	CCAB	left, inner (w/qr. window)	3809355	1	3.80
-------	------	----------------------------	---------	---	------

47-54	CCAB	right, inner (w/qr. window)	3809366	1	3.80
47-54	CCAB	left, inner (w/out qtr. window)	3809173	1	3.80
47-54	CCAB	right, inner (w/out qtr. window)	3809174	1	3.80
47-53	CCAB	center (use with or w/o qtr. windows)	3809162	1	5.98
54	CCAB	center (use with or w/o qtr. windows)	3701351	1	5.95

**16.592 PANEL, Rear Lower Inner Lining (Metal)**

39-48	CCAB	left	598939	1	.65
39-46	CCAB	right	598940	1	.65
47-48	CCAB	left	3686209	1	3.26
47-48	CCAB	right	3686210	1	3.26
49-54	CCAB	left	3690039	1	.65
49-54	CCAB	right	3690040*	1	.65

\*NOTE: When using 3690040 on conventional cabs with vacuum power brake installation it will be necessary to punch 1" dia. hole  $4\frac{1}{8}$ " from bottom and  $3\frac{1}{8}$ " from front.

39-46	ALL	SCREW (No. 8—32 x $\frac{1}{2}$ ) binding head	3654597	A.R.	(16.170)
-------	-----	--	---------	------	----------

**16.603 PANEL, Front Door Sill**

39-46	ALL (exc. COE)	left	598655	1	1.78
39-46	ALL (exc. COE)	right	598656	1	1.78
41-46	COE	left	3657187	1	5.65
41-46	COE	right	3657188	1	5.65
47-49	ALL (exc. COE)	left ( $5\frac{1}{8}$ " wide x $43\frac{3}{8}$ " long)	3690021†	1	1.78
47-49	ALL (exc. COE)	right ( $5\frac{1}{8}$ " wide x $43\frac{3}{8}$ " long)	3692810†	1	1.78
50-54	CCAB (exc. COE)	left ( $5\frac{1}{8}$ " wide x $43\frac{3}{8}$ " long)	3692809†	1	1.78

†NOTE: When using on 1947-48 models it will be necessary to rework rear end.

**16.642 MOULDING, Roof Drip**

47-54	SGL. UNIT	left, rear ( $11\frac{1}{8}$ " wide x $13\frac{1}{4}$ " long)	3807265	1	.27
47-54	SGL. UNIT	right, rear ( $11\frac{1}{8}$ " wide x $13\frac{1}{4}$ " long)	3807266	1	.27
47-54	SGL. UNIT	left, front ( $7\frac{1}{8}$ " wide x $13\frac{3}{8}$ " long)	3807331	1	.27
47-54	SGL. UNIT	right, front ( $7\frac{1}{8}$ " wide x $13\frac{3}{8}$ " long)	3807332	1	.27
39-46	CCAB	left	598737	1	.92
39-46	CCAB	right	598738	1	.92
47-54	CCAB	left	3684289*	1	1.02
47-54	CCAB	right	3684290*	1	1.02

\*NOTE: When using on 1947-48 COE it will be necessary to cut off  $9\frac{3}{8}$ " at rear end of moulding.

**16.670 SEAT ASSEMBLY, Auxiliary**

34-36	621-3,				
40-46	933-5-7, 013-15, 071-3-9	with cushion assy. less att. parts	3806612	1	36.05
40-46	651-3, 021-3, 081-3	with cushion assy. less att. parts	3806613	1	36.05
40-46	SUB.	with cushion assy. less att. parts	3806671	1	36.05
47-53	SGL. UNIT (exc. SUB.)	with cushion assy. and att. parts (gray)	3693112	1	51.43
47-53	SUB.	with cushion assy. and att. parts	3699969	1	62.94
54	SGL. UNIT (exc. SUB.)	with cushion assy. and att. parts (brown)	3707732	1	51.50
54	SUB.	with cushion assy. and att. parts (gray and maroon)	3707731	1	62.95

**16.674 ATTACHING PARTS, Auxiliary Seat**

37-46	869-73, 701-3-7, 933-5-7, 651-3, 009-13-15-21-23, 071-73-79	BRACKET, front lower support	464892	2	.78
47-54	SGL. UNIT (exc. SUB.)	BRACKET, lower seat hinge	3807346	2	.40
47-54	SGL. UNIT (exc. SUB.)	BRACKET, upper seat hinge	3809079	2	.22
47-54	SUB.	BRACKET, seat attaching ("U" shape—1 x $1\frac{1}{8}$ x $1\frac{1}{2}$ )	3808360	4	.45
54	COE	BRACKET, left, supt. channel and seat back spring	3700870	1	2.25
54	COE	BRACKET, right, supt. channel and seat back spring			
54	ALL (exc. COE)	right or left, supt. channel and seat back spring	3700858	A.R.	2.25
47-54	SGL. UNIT (exc. SUB.)	SUPPORT, seat, rear	3807531	1	.85

47-51	SUB.	SUPPORT, seat cushion frame ( $\frac{1}{8}$ O.D. tubing x $9\frac{1}{4}$ devel. length).	3808358	2	.97
52-54	SUB.	SUPPORT, seat cushion frame ( $\frac{1}{8}$ O.D. tubing x $8\frac{1}{4}$ dev. length).	3810381	2	.97
54	ALL.	SUPPORT, left back ("U" shape, 2 holes— $1\frac{3}{8}$ x $2$ x $3\frac{1}{4}$ ).	3700867	1	.25
54	ALL.	SUPPORT, right back ("U" shape, 2 holes— $1\frac{3}{8}$ x $1\frac{1}{8}$ x $3\frac{1}{4}$ ).	3700868	1	.25
47-54	SGL. UNIT (exc. SUB.)	BUMPER, seat support (cut in two pieces).	367314	1	(1.270)
47-54	SGL. UNIT (exc. SUB.)	SLEEVE, seat hinge ( $\frac{1}{16}$ O.D. x $\frac{3}{16}$ I.D. x $1\frac{13}{16}$ long).	3807347†	3	.12

†NOTE: When using 3807347 on 1949 jobs it is necessary to cut off  $\frac{3}{16}$ ". When using 3807347 as seat back hinge spacer, cut to required length.

47-53	SGL. UNIT (exc. SUB.)	BOLT, seat hinge sleeve ( $\frac{3}{16}$ — $18$ x $2\frac{1}{2}$ ) (use w/sleeve 3807347).	180091	2	(8.900)
47-54	SGL. UNIT	UNIT, bolt and acorn nut, chrome (use as seat back hinge).	3692843*	2	.16

\*NOTE: 3692843 consists of 1—bolt and 1—chrome acorn nut.

39-52	SUB.	PLATE, seat attaching.	465901	A.R.	(16.686)
52-54	SUB.	PLATE, leg, mat protector ( $1\frac{3}{8}$ x $7\frac{1}{2}$ w/2 holes)	3810691	1	.10

### 16.679 FRAME ASSEMBLY, Seat

47-50	CCAB (exc. COE)		3693894	1	22.32
47-54	SUB.	driver seat.	3807837	1	24.62
47-54	SGL. UNIT (exc. SUB.)	driver seat cushion bottom.	3807518	1	6.31
47-51	SUB.	auxiliary seat cushion.	3808357	1	9.74
47-51	SUB.	auxiliary seat back.	3807851	1	9.74
51-53	COE.		3695737	1	20.88
51-54	CCAB (exc. COE)		3695736	1	19.45
52-54	SUB.	auxiliary seat cushion.	3810378	1	9.74
52-54	SUB.	auxiliary seat back.	3810379	1	9.74
54	ALL (w/Unison Seat)	driver seat back, w/insulator.	3707299	1	3.85
54	SGL. UNIT (exc. SUB.)	driver seat back.	3807519	1	6.50
54	SGL. UNIT (exc. SUB.)	auxiliary seat back.	3809176	1	6.50
54	SGL. UNIT (exc. SUB.)	auxiliary seat cushion.	3808747	1	6.75
47-54	CCAB	SKIRT, right—cushion frame ( $24\frac{1}{4}$ dev. length)	3676374	1	1.02
47-54	CCAB	SKIRT, left—cushion frame ( $24\frac{1}{4}$ dev. length).	3683999	1	1.02

### 16.680 SEAT ASSEMBLY—BACK—FRAME, Driver's Seat Complete

47-53	SUB.	SEAT UNIT, driver, w/attach. parts.	3695757	1	92.71
54	SUB.	SEAT UNIT, driver, w/attach. parts.	3707730	1	92.75
39-46	SGL. UNIT	BACK, driver and auxiliary, w/cushion.	3806653	1	22.32
47-53	SGL. UNIT (exc. SUB.)	BACK, driver and auxiliary, w/cushion.	3807758	1	22.32
54	ALL (w/Unison Seat)	FRAME, driver seat back.	3700928	1	4.95

### 16.682 ADJUSTER AND PARTS, Driver's Seat

47-50	CCAB	ADJUSTER ASSY., left ( $1\frac{1}{2}$ x $18\frac{1}{8}$ ) (w/hdl.)	3676375	1	4.52
47-50	CCAB	ADJUSTER ASSY., right ( $1\frac{1}{2}$ x $18\frac{1}{8}$ ).	3676378	1	3.78
47-54	SGL. UNIT (exc. SUB.)				
54	ALL (w/Unison Seat)	ADJUSTER ASSY., less handle w/support.	3807527	1	5.87
51-54	CCAB	ADJUSTER ASSY., left (guide $1\frac{1}{4}$ x $17\frac{1}{8}$ ) (w/handle).	3695759	1	4.07
51-54	CCAB	ADJUSTER ASSY., right (guide $1\frac{1}{4}$ x $17\frac{1}{8}$ ).	3695761	1	3.97
39-46	701-3-7, 933-5-7, 009-13-15, 071-3-9	LEVER, adjuster.	489548	1	.37
47-50	CCAB				
47-54	SGL. UNIT (exc. SUB.)				
54	ALL (w/Unison Seat)	SPRING, seat adjuster return ( $7\frac{11}{16}$ free length).	3685105	2	.33
47-54	SUB.	SPRING, seat adjuster return ( $9\frac{1}{8}$ free length).	3808400	2	.27
47-50	ALL				
51-53	SGL. UNIT	SPRING, use w/handle 3676389 or 3807415.	3658835	1	(8.081)
51-54	CCAB	SPRING, seat adjuster return ( $12\frac{1}{2}$ free length)	3698449	2	.32
51-54	CCAB	SPRING, operating hdl. and lock bar ( $5\frac{1}{4}$ free length).	3698208*	2	.12
47-50	CCAB	CABLE ASSY.	3684044	1	1.28



47-50	CCAB	PLATE ASSY., cable	3676400	1	.98
47-54	SGL. UNIT (exc. SUB.),				
54	ALL (w/Unison Seat)	HANDLE, center of hole to end (2 $\frac{1}{8}$ long)	3807415	1	.33
47-50	CCAB	HANDLE, left (4 $\frac{5}{8}$ long)	3676389	1	.33
47-54	SUB	HANDLE, drivers seat adjuster	3808290	1	.45
47-50	CCAB,				
49-54	SGL. UNIT,				
54	ALL (w/Unison Seat)	PIN, seat adjuster handle ( $\frac{5}{16}$ dia. x 1 $\frac{3}{8}$ O.L.)	3682715	1	.06
47-54	SUB	TRACK ASSY., left, drivers seat support, w/ adjuster	3808155	1	4.23
47-54	SUB	TRACK ASSY., right drivers seat support	3808156	1	3.38
51-54	CCAB	ROD, seat adjuster locking ( $\frac{3}{16}$ dia. x 48 $\frac{3}{8}$ O.L.)	3695782	1	.40
51-54	CCAB	SUPPORT, locking rod (rubber) ( $\frac{1}{2}$ largest dia. x 2 $\frac{1}{16}$ O.L.)	3695783	1	.06
47-54	SGL. UNIT (exc. SUB.)	CUSHION (used as seat support and adj. assy. bumper) (cut to size, 4 x 1 $\frac{1}{2}$ x $\frac{3}{8}$ thick, w/ two $\frac{1}{2}$ holes)	367314	A.R. (1.270)	
47-52	SGL. UNIT (exc. SUB.)	SPACER, seat back hinge (cut to size)	3807347	A.R. (16.674)	

\*NOTE: When using 3698208 on early 1951 models it may be necessary to relocate hole in seat riser.

#### 16.686 ATTACHING PARTS, Driver's Seat

39-54	SUB	PLATE, seat attaching—on platform	465901	9	.18
38-46	701-3-7, 933-5-7, 009-13-15, 071-3-9	PIN, attaching bracket (1 $\frac{3}{8}$ long)	469554	2	.07

#### Unison Seat

54	ALL (exc. COE)	BRACKET, left support (18 $\frac{5}{8}$ from bend to end)	3700859	1	2.00
54	ALL (exc. COE)	BRACKET, right support (19 $\frac{5}{8}$ from bend to end)	3700860	1	2.00
54	COE	BRACKET, left front support	3700877	1	.50
54	COE	BRACKET, right front support	3700878	1	.25
54	COE	BRACKET, rear support (21 $\frac{1}{8}$ O.L.)	3700883	1	2.50
54	COE	REINFORCEMENT, rear bracket to floor pan (two $\frac{3}{8}$ holes— $\frac{3}{4}$ x 1 $\frac{1}{4}$ x 3 $\frac{1}{16}$ )	3700888	1	.10
54	ALL	LINK, back hinge (1 x 4 $\frac{1}{16}$ )	3700897	1	.20
54	ALL	BUSHING, back hinge link (1 dia.)	3700898	1	.20
54	ALL	WASHER, back hinge link (1 dia.)	3700899	2	.20
54	ALL	WASHER, back hinge link (curved)	3704901	1	.20

#### 16.697 FRAME ASSEMBLY, Seat

47-54	SUB	center	3807863	1	34.75
47-54	SUB	rear	3807874	1	39.50

#### 16.700 PAD, Cowl Side Trim—Universal

39	COE				
41-46	ALL	right and left	609526	1	(14.630)
37-38	ALL	SCREW, trim panel attaching (No. 8-32 x $\frac{1}{2}$ )	3654597	A.R. (16.170)	

#### 16.715 CUSHION—VALVE, Seat

34-35	CCAB	driver	374865	1	12.02
34-35	CCAB	passenger	374866	1	12.02
36-37	LOW ROOF CAB,				
38	CCAB	passenger	597876	1	15.46
36-37	LOW ROOF CAB,				
38	CCAB	driver	597847	1	15.46
39-46	CCAB (exc. COE)		605329	1	32.94
39-46	933-5-7, 009-13-15-71-73-79	driver	3806657	1	20.03
39-46	651-3, 021-3, 081-3	driver	3806656	1	17.11
40-42	SUB	center seat			
40-46	SUB	driver seat (30 $\frac{5}{8}$ wide)	3806661	1	18.31
39-46	COE		605330	1	32.91
47-53	SGL. UNIT (exc. SUB.)	driver and auxiliary	3809803	1	17.17
47-53	SUB	driver	3808443	1	34.32

47-53	SUB.	auxiliary	3810372	1	22.60
47-49	SUB.	center	3807858	1	34.32
47-53	SUB.	rear	3808456	1	44.06
47-53	CCAB		3696814	1	44.95
50	SUB.	center seat	3809806	1	34.32
51-53	SUB.	center seat	3808425	1	34.32
54	SGL. UNIT (exc. SUB.)	driver and auxiliary	3707701	1	17.50
54	CCAB		3707886	1	44.75
54	ALL (w/Unison Seat)	driver (brown)	3707293	1	18.75
54	ALL (w/Unison Seat)	driver (gray and maroon)	3707294	1	18.75
54	ALL (w/Unison Seat)	passenger (brown)	3707297	1	23.95
54	ALL (w/Unison Seat)	passenger (gray and maroon)	3707298	1	23.95
54	SUB.	driver (gray and maroon)	3707703	1	34.35
54	SUB.	auxiliary (gray and maroon)	3707705	1	22.60
54	SUB.	center (gray and maroon)	3707706	1	34.35
54	SUB.	rear (gray and maroon)	3707707	1	43.95
54	ALL (w/Unison Seat)	VALVE, driver seat cushion	3701098	2	.50

**16.718 FRAME ASSEMBLY, Seat Cushion, with Spring**

47-50	CCAB		3893467	1	19.77
51-54	CCAB		3896078	1	19.77
54	ALL (w/Unison Seat)		3701103	1	2.50
47-54	CCAB	CLIP, trim retaining	389725	A.R.	.02

**16.717 TRIM, Seat Cushion**

40	CCAB		3654726	1	6.35
40-46	SUB.	rear seat	3806826	1	8.37
40-46	SUB.	auxiliary seat	3806828	1	4.03
41-46	CCAB		3683600	1	7.97
42-46	SUB.	center seat (32 $\frac{1}{4}$ wide)	3806824	1	8.37
47-53	SGL. UNIT (exc. SUB.)	driver and auxiliary	3808200	1	5.20
47-53	SUB.	driver	3807836	1	8.75
47-51	SUB.	auxiliary	3807850	1	4.57
47-53	SUB.	center	3807876	1	8.75
47-53	SUB.	rear	3807875	1	9.75
47-53	CCAB		3693858	1	9.52
52-53	SUB.	auxiliary	3810377	1	4.22
54	SGL. UNIT (exc. SUB.)	driver and auxiliary	3811109	1	5.20
54	CCAB		3811111	1	9.50
54	ALL (w/Unison Seat)	driver (brown)	3700880	1	7.25
54	ALL (w/Unison Seat)	driver (gray and maroon)	3700907	1	7.25
54	ALL (w/Unison Seat)	passenger (brown)	3700876	1	8.75
54	ALL (w/Unison Seat)	passenger (gray and maroon)	3700909	1	8.75
54	SUB.	driver (gray and maroon)	3811196	1	8.75
54	SUB.	auxiliary (gray and maroon)	3811198	1	4.65
54	SUB.	center (gray and maroon)	3811197	1	8.75
54	SUB.	rear (gray and maroon)	3811199	1	9.75

**16.720 CUSHION, Seat Back**

34-36	CCAB		374818	1	13.72
36-37	LOW ROOF CAB	use w/split seat cushion	593135	1	13.72
38	CCAB		597851	1	13.72
39-48	CCAB		605333	1	19.37
40-46	SUB.	rear seat	3806667	1	15.15
47-53	SUB.	driver and center	3807825	1	28.05
47-51	SUB.	auxiliary	3807839	1	18.89
47-53	SUB.	rear	3807864	1	32.38
47-53	CCAB		3693896	1	28.85
52-53	SUB.	auxiliary	3810366	1	18.89
54	SGL. UNIT (exc. SUB.)	driver and auxiliary	3707700	1	14.50
54	CCAB		3707887	1	33.85
54	ALL (w/Unison Seat)	driver (brown)	3707291	1	15.75
54	ALL (w/Unison Seat)	driver (gray and maroon)	3707292	1	15.75
54	ALL (w/Unison Seat)	passenger (brown)	3707295	1	20.95
54	ALL (w/Unison Seat)	passenger (gray and maroon)	3707296	1	20.95

54	SUB.	driver and center (gray and maroon)	3707702	1	27.95
54	SUB.	auxiliary (gray and maroon)	3707704	1	16.90
54	SUB.	rear (gray and maroon)	3707708	1	32.98

**16.724 TRIM, Seat Back**

39-46	SGL. UNIT	driver	3806819	1	2.88
40-48	SUB.	rear seat	3806825	1	8.65
40-46	SUB.	auxiliary seat	3806827	1	3.47
40-46	CCAB		3859273	1	6.35
42-46	SUB.	center seat (32 $\frac{5}{8}$ wide)	3806823	1	5.48
47-53	SGL. UNIT (exc. SUB.)	driver and auxiliary	3807509	1	4.45
47-53	SUB.	driver and center	3807830	1	7.95
47-51	SUB.	auxiliary	3807844	1	5.20
47-53	SUB.	rear	3807868	1	10.10
47-53	CCAB		3808752	1	8.95
52-53	SUB.	auxiliary	3810371	1	5.20
54	SGL. UNIT (exc. SUB.)	driver and auxiliary	3811108	1	4.45
54	CCAB		3811110	1	8.95
54	ALL (w/Unison Seat)	driver (brown)	3700890	1	7.25
54	ALL (w/Unison Seat)	driver (gray and maroon)	3700908	1	7.25
54	ALL (w/Unison Seat)	passenger (brown)	3700901	1	8.75
54	ALL (w/Unison Seat)	passenger (gray and maroon)	3700910	1	8.75
54	SUB.	driver and center (gray and maroon)	3811187	1	7.95
54	SUB.	auxiliary (gray and maroon)	3811188	1	5.20
54	SUB.	rear (gray and maroon)	3811189	1	10.10

**16.742 PANEL, Top Lining, (Fiber Board)**

NOTE: See Groups 16.589 and 16.592 for rear upper and lower lining panel.

39-46	SGL. UNIT	front	3801123	1	4.67
47-50	SUB. (1st type)	front, front half	3808406	1	1.37
47-50	SUB. (1st type)	rear	3809777	1	1.37
47-50	SUB. (1st type)	front, rear half	3807982	1	2.48
47-50	SUB. (1st type)	center, front	3807984	1	2.45
47-49	SUB. (1st type)	center, rear	3807986	1	2.45
50-53	SUB. (2nd type)	front, front half	3693576*	1	1.37
50-53	SUB. (2nd type)	front, rear half	3693577*	1	2.12
50-53	SUB. (2nd type)	center, front half	3693580*	1	2.45
50-53	SUB. (2nd type)	center, rear half	3693587*	1	2.45
50-53	SUB. (2nd type)	rear	3693585*	1	1.37
39-46	CCAB				
47-54	ALL (exc. SUB.)	universal (cut to stencil on back)	3894283	A.R.	3.00
54	ALL	front	3700527	1	2.00
54	SUB.	front, front half	3810649	1	1.50
54	SUB.	front, rear half	3810601	1	2.25
54	SUB.	center, front half	3810602	1	2.45
54	SUB.	center, rear half	3810603	1	2.45
54	SUB.	rear	3810604	1	1.40
54	SGL. UNIT (exc. SUB.)	front, front half	3810599	1	1.50
54	SGL. UNIT (exc. SUB.)	front, rear half	3810598	1	2.25
47-48	ALL	CAP, body pillar w/strip retainer (1 $\frac{1}{8}$ x 2 $\frac{1}{8}$ )	3685665	2	.07
36-47	LOW ROOF CAB	SCREW (8-32 x $\frac{1}{8}$ )	477366	A.R. (16.170)	
39-49	CCAB	SCREW (8-32 x $\frac{1}{4}$ )	3654997	A.R. (16.170)	

\*NOTE: 2nd type parts are required on 1950 jobs where installation of panels is from rear to front instead of front to rear as on 1st type.

**16.745 BOW, Top**

36-46	ALL	(used as retainer) (1 $\frac{13}{16}$ x 51 $\frac{1}{2}$ )	3681043	1	1.08
47-49	CCAB	(2 wide x $\frac{3}{4}$ thick x 56 $\frac{1}{2}$ dev. length)	3682897	1	.82

**RETAINER, Top Lining Panel**

39-46	ALL	front ( $\frac{3}{4}$ x 47 long)	598898	1	1.08
37-38	SGL. UNIT				
36-48	CCAB	rear ( $\frac{3}{4}$ x 53 $\frac{1}{4}$ long)	599040	1	1.08
40-48	CCAB	front (1 x 50 $\frac{1}{16}$ long)	3681042	1	.65
47-54	CCAB	rear ( $\frac{3}{4}$ x 18 $\frac{1}{4}$ dev. length)	3685664	1	1.08

47-49	CCAB.....	center (1½ x 54 dev. length).....	3685663	1	1.08
47-50	SGL. UNIT,				
51-54	SGL. UNIT (exc. SUB.).....	center (developed length 73¾).....	3807558	1	1.03
47-54	SGL. UNIT (exc. SUB.).....	side (1½ x 8¾).....	3809272	2	.22
47-54	SGL. UNIT (exc. SUB.).....	rear (54 developed length).....	3807795	1	1.08
50-54	CCAB.....	center (1 wide x 50½ O.L.).....	3693339	1	1.08

**16.760 LEATHER—INSULATOR**

36-37	HIGH, LOW ROOF CAB,				
38-46	ALL.....	dark brown (50 wide).....	3692690	A.R.	5.78 yd
36-53	ALL.....	INSULATOR, felt (35' x 25 yds. long).....	121126	A.R.	(15.492)

**16.800 MAT, Tee and Floor Board**

29-33	ALL.....	(42 x 37) (cut to fit using old mat as guide)	604554	1	(15.286)
41-46	½ TON (3-SPD.).....	(molded 3681259).....	3681259	1	4.80
41-46	¾ TON (3-SPD.).....	(molded 3681271).....	3681271	1	4.80
41-46	½ TON (4-SPD.).....	(molded 3681457).....	3681457	1	4.80
41-46	¾, 1 TON, UTIL. (4-SPD.) (exc. COE).....	(molded 3681269).....	3681269	1	4.80
41-46	COE.....	left (molded 3681273).....	3681273	1	2.54
41-46	COE.....	right (molded 3681274).....	3681274	1	2.54
47-54	COE.....	left (molded 3698179).....	3698179	1	4.12
47-54	COE.....	right (molded 3686270).....	3686270	1	3.34
47-53	SUB.....	under pass. seat (molded 3810690).....	3810690	1	2.26
47	ALL (exc. COE) (4-SPD.),				
48-52	COMM. (3-SPD.) (exc. 1 TON).....	universal type (molded 3695053).....	3695053	1	6.20
48-49	ALL (4-SPD.) (exc. COE, FFC).....	(molded 3695051).....	3695051	1	6.23
50-54	½, ¾ TON (3-SPD.) (exc. SUB.).....	(molded 3698173).....	3698173	1	6.72
50-51	½, ¾ TON (4-SPD.) (exc. SUB.),				
52-54	COMM. (4-SPD.) (exc. SUB.).....	(molded 3698181).....	3698181	1	6.23
50-51	1 TON, UTIL. (exc. COE),				
52-54	UTIL. (exc. COE).....	(molded 3698177).....	3698177	1	6.23
52-53	SUB. (3-SPD.).....		3698175	1	7.74
54	COMM. (exc. SUB., FFC).....	(molded 3709643).....	3709643	1	6.50
54	SUB.....	under pass. seat (molded 3810590).....	3810590	1	2.25
37-46	ALL (exc. COE).....	UNIVERSAL (rubber w/felt base).....	609590	1	4.48

**16.802 MAT—FASTENER—SCREW, Dash Panel**

47-53	ALL.....	front (23 x 53½).....	3693009	1	3.80
54	ALL (exc. FFC).....		3702869	1	3.80
47-53	ALL.....	FASTENER (9/16 head dia. x 1½ long).....	3692752	A.R.	(15.282)
38-49	ALL.....	SCREW, dash panel mat fastener (8—32 x ½)	3654597	A.R.	(16.170)



**~ BLANK PAGE ~**

**~ BLANK PAGE ~**

# CHEVROLET MASTER PARTS CATALOG SGL. UNIT BODY PARTS

YEAR	MODEL	PART NAME	PART NO.	LIST NO.	USED PRICE
<b>17.020 SILL ASSEMBLY, Rear Cross</b>					
39-46	1/2 TON PANEL, CANOPY EXPRESS		469960	1	5.00
47-53	1/2 TON PICK-UP BOX		3810032	1	4.72
54	1/2 TON PICK-UP BOX		3810714	1	5.25
54	3/4, 1 TON PICK-UP BOX		3810717	1	5.25
<b>17.022 PANEL, Rear Sill</b>					
37-46	SGL. UNIT	(No. 2 holes are 5 1/2" from ends)	470745	1	.55
47-49	SGL. UNIT		3807031	1	.55
<b>17.030 IRON, Floor Board Wear</b>					
37-53	SGL. UNIT	(142 3/8 long) (universal)	3847364*	A.R.	1.47
37-54	SGL. UNIT	(109 3/8 long) front and rear outer (univ.)	3847362*	A.R.	1.08
37-53	SGL. UNIT	(88 1/2 long) (universal)	3847403*	A.R.	.92
54	SGL. UNIT	(144 11/16 long) (universal)	3709944*	A.R.	1.75
*NOTE: Part Nos. 3847364, 3847362, 3847403 and 3709944 Floor Board Wear Irons are of universal length, less holes.					
<b>17.060 TOP ASSEMBLY</b>					
39-46	1, 1 1/2 TON SGL. UNIT		470813	1	122.89
39-46	1/2 TON SGL. UNIT (exc. SUB. w/DOORS)		470035	1	93.98
39-46	3/4 TON PANEL		470037	1	106.62
47-53	1/2 TON SGL. UNIT (exc. SUB.)		3810869	1	106.62
47-53	1 TON SGL. UNIT		3810874*	1	122.89
47-53	SUB.		3810875	1	106.62
54	1/2 TON SGL. UNIT (exc. SUB.)		3810644*	1	113.50
54	1 TON SGL. UNIT		3810646*	1	128.50
54	SUB.		3810876	1	113.50
*NOTE: On Canopy Express jobs it will be necessary to remove the striker.					
<b>17.102 HEADLINING ASSEMBLY</b>					
39-46	ALL		471230	1	10.97
36-46	ALL	BOW (used as retainer) (11 3/8 x 51 1/8)	3681043	A.R.	(16.745)
37-47	ALL	SCREW (8-32 x 3/16)	477366	A.R.	(16.170)
<b>17.110 SIDE ASSEMBLY, Body</b>					
39-46	1/2 TON PANEL	left	469979	1	92.94
39-46	1/2 TON PANEL	right	469980	1	92.94
39-46	3/4 TON PANEL	right	469982	1	103.88
47-51	1/2 TON PANEL	left	3809749	1	103.88
47-51	1/2 TON PANEL	right	3809750	1	103.88
47-51	1 TON PANEL	left	3809799	1	114.80
47-51	1 TON PANEL	right	3809800	1	114.80
47-51	SUB.	left	3809877	1	136.68
47-51	SUB.	right	3809878	1	136.68
52-53	1/2 TON PANEL	left	3810275	1	103.88
52-54	1/2 TON PANEL	right	3810606	1	113.50
52-53	1 TON PANEL	left	3810281	1	114.80
52-53	1 TON PANEL	right	3810282	1	114.80
52-54	SUB.	left	3810277	1	136.68
52-54	SUB.	right	3810278	1	136.68
54	1/2 TON PANEL	left	3810605	1	113.50
54	1 TON PANEL	left	3810607	1	128.50
54	1 TON PANEL	right	3810608	1	128.50
37-53	SGL. UNIT	WASHER, body side (5/16)	3688003	A.R.	(8.143)

**17.116 MOULDING, Body Side Trim Panel**

47-54	SUB.	front	3809192	2	1.27
47-54	SUB.	left, rear	3809193	1	1.37
47-54	SUB.	right, rear	3809194	1	1.37

**17.136 GLASS—CHANNEL—BRACKET—CATCH—HANDLE—MOULDING—REGULATOR, Side Windows**

47-52	SUB. (1st type)	front side window—front	3808195	2	4.51
47-54	SUB.	front side window—rear	3810692	2	7.34
52-54	SUB. (2nd type)	front side window—front	3810689	2	4.51
47-52	SUB. (1st type)	rear side window—front (13 $\frac{1}{8}$ width)	3808197	2	4.29
47-54	SUB.	rear side window—rear	3810704	2	7.05
52-54	SUB. (2nd type)	rear side window—front (13 $\frac{1}{8}$ top, 13 $\frac{3}{8}$ bottom)	3810694	2	4.29
53-54	SUB.	front side window—front (tinted)	3704378	2	5.25
53-54	SUB.	front side window—rear (tinted)	3704379	2	5.10
53-54	SUB.	rear side window—front (tinted)	3704380	2	5.25
53-54	SUB.	rear side window—rear (tinted)	3704381	2	5.10
39	SUB.	CHANNEL, glass run	609528	A.R.	(10.701)
40-46	SUB.	CHANNEL, glass run	3801109	4	.95
47-52	SUB. (1st type)	CHANNEL, left sliding window—w/handle	3808249	2	(11.008)
47-52	SUB. (1st type)	CHANNEL, right sliding window—w/handle	3808250	2	(11.008)
47-53	SUB.	CHANNEL, right and left stationary window	4070069	4	(11.207)
52-54	SUB. (2nd type)	CHANNEL, stationary window—less handle	3810712	4	1.75
40-46	SUB.	BRACKET, window regulator	3800562	8	.12
47-52	SUB. (1st type)	CATCH, side window glass	3808751	4	.83
52-54	SUB. (2nd type)	CATCH, side window glass (plastic coated at end)	3811112	4	.55
52-54	SUB.	HANDLE, side window sliding glass	3810595	4	.32
47-54	SUB.	MOULDING, garnish—left front side window	3808023	1	2.78
47-54	SUB.	MOULDING, garnish—right front side window	3808024	1	2.78
47-54	SUB.	MOULDING, garnish—left rear side window	3808025	1	2.05
47-54	SUB.	MOULDING, garnish—right rear side window	3808026	1	2.05
47-54	SUB.	MOULDING, reveal—left front side window	3810751	1	1.50
47-54	SUB.	MOULDING, reveal—right front side window	3810752	1	1.50
47-54	SUB.	MOULDING, reveal—left rear side window	3810753	1	1.50
47-54	SUB.	MOULDING, reveal—right rear side window	3810754	1	1.50
39-46	SUB.	REGULATOR, left front side window	594279	1	(16.260)
39-46	SUB.	REGULATOR, right front side window	594280	1	(16.260)

**WEATHERSTRIP, Side Windows**

47-53	SUB.	front window—rear and rear window—front	4070069	4	(11.207)
-------	------	---	---------	---	----------

**17.160 PILLAR—MOULDING—PLUG, Body Side Rear and Rear Hinge**

47-54	SUB.	left	3810311	1	5.15
47-54	SUB.	right	3810312	1	5.15
47-54	PANEL	left	3810305	1	4.89
47-54	PANEL	right	3810306	1	4.89
48-54	SUB.	MOULDING, left—inside pillar (steel)	3810137	1	.91
48-54	SUB.	MOULDING, right—inside pillar (steel)	3810138	1	.91
50-54	SUB. w/END GATE	PLUG, slot ( $\frac{1}{8}$ x $3\frac{1}{4}$ )	3809858	4	.32

**17.166 STRIP, Inner Trim Cover**

49-54	SUB.	(1 x 6 $\frac{1}{4}$ )	3809378	2	.27
-------	------	------------------------	---------	---	-----

**17.168 PANEL, Body Lower Rear**

39-46	1, 1 $\frac{1}{2}$ TON PANEL		606400	1	11.98
39-46	$\frac{3}{4}$ TON PANEL		606398	1	10.71
39-46	$\frac{1}{2}$ TON SGL. UNIT		606398*	1	10.94
47-50	$\frac{1}{2}$ TON PANEL, SUB. w/DOORS		3809557	1	11.75
47-50	1 TON PANEL		3809573	1	11.75
47-50	$\frac{1}{2}$ TON CAN. EXP., SUB. w/END GATE		3809668	1	17.49
51-54	$\frac{1}{2}$ TON PANEL, SUB. w/DOORS		3810034	1	11.75
51-54	1 TON PANEL		3810150	1	11.75

51-54	1/2 TON CAN. EXP., SUB. w/END GATE.	3810035	1	17.49
*NOTE: When used on Sub. w/end gate hinge cutouts have to be made, cross sill reinforcement must also be retained.				

**17.185 GATE ASSEMBLY, End**

39-46	CANOPY EXPRESS	469972	1	38.25
40-46	SUB. w/END GATE	upper half (less handle)	3800471	1 42.88
47-54	CANOPY EXPRESS	with upper half hinges	3808090	1 65.12
47-54	SUB. w/END GATE	lower half	3807954	1 49.92
47-54	SUB. w/END GATE	upper half	3808211	1 42.88

**WEATHERSTRIP, End Gate**

39-46	SUB. w/END GATE	lower end gate	3803672	1 2.52
40-46	SUB. w/END GATE	upper end gate—upper	3803671	1 2.52
47-54	CAN. EXP., SUB. w/END GATE	lower end gate,		
47-54	SUB. w/END GATE	upper end gate (60 ft. roll)	3692048	A.R.(10.694)

**17.190 GLASS—WEATHERSTRIP, Upper End Gate**

40-46	SUB. w/END GATE		471468	2 (16.464)
47-54	SUB. w/END GATE		3807916	1 10.74
53-54	SUB. w/END GATE	(Hnted)	3704382	1 12.10
40-46	SUB. w/END GATE	WEATHERSTRIP	3806252	2 (16.470)
47-54	SUB. w/END GATE	WEATHERSTRIP	3807917	1 2.40

**17.198 LOCK—KNOB—SPRING—GUIDE—CATCH, End Gate**

39-46	CANOPY EXPRESS		471062	1 3.89
47-54	SUB. w/END GATE	end gate—upper (inside w/handle)	3808248	1 5.06
39	SUB. w/END GATE	KNOB, remote control—upper end gate	373434	1 (16.345)
39-46	SUB. w/END GATE	SPRING, and gate lock	3800426	4 .13
41-46	SUB. w/END GATE	GUIDE, control rod	3800451	2 .33
47-54	CAN. EXP., SUB. w/END GATE	CATCH (1 1/2 wide x 2 1/4 with 3/8 hole)	3808352	2 .72

**17.200 STRIKER, End Gate Lock**

40-46	SUB. w/END GATE	end gate—upper	3800481	2 .35
47-54	SUB. w/END GATE	end gate—upper	3808340	1 .47
47-54	CAN. EXP., SUB. w/END GATE	end gate—lower	3808072	2 .52

**17.202 SUPPORT—SPRING—BUMPER, End Gate**

39-46	SUB. w/END GATE	end gate—upper	471750	1 1.83
47-54	SUB. w/END GATE	end gate—upper	3808753	2 1.50
47-54	SUB. w/END GATE	SPRING, end gate—lower	3808707	2 .08
39	SUB. w/END GATE	SPRING, support cam—upper end gate	4121855	1 (12.204)
47-54	CAN. EXP., SUB. w/END GATE	BUMPER (3/4 x 1 1/2 w/2 holes)	3808825	2 .22

**17.204 HANDLE, End Gate Lock**

39-46	CANOPY EXPRESS		3654589	1 (16.360)
41-42	SUB. w/END GATE	lower end gate (less cyl., shaft)	3654591	1 (16.350)
46	SUB. w/END GATE	lwr. end gate (with cyl., keys—uncoded)	609908	1 (12.247)
47-54	SUB. w/END GATE	upr. end gate (w/cyl., keys—uncoded)	3688746	1 4.02
47-54	CAN. EXP., SUB. w/END GATE	inside (3 3/4 overall w/3/8 hole)	3808350	2 .65

**PARTS, End Gate Lock Handle**

34-46	SGL. UNIT	WASHER	4240198	1 (10.546)
32-46	SGL. UNIT	SCREW, handle safety	3654594	1 (10.540)
32-46	SGL. UNIT	FERRULE	4125630	1 (10.537)
38-46	SGL. UNIT	GROMMET, ferrule	4082057	1 (10.538)
41-42	SUB. w/END GATE	CYLINDER, (w/case and 2 keys—uncoded)	474992	1 (16.365)
41-42	SUB. w/END GATE	SPRING, locking handle	474998	1 (16.375)
41-42	SUB. w/END GATE	CLIP, cylinder to handle	600965	1 (16.377)
41-42	SUB. w/END GATE	PAWL, locking handle	601199	1 (16.385)
41-42	SUB. w/END GATE	SHAFT, locking	599067	1 (16.385)
47-54	CAN. EXP., SUB. w/END GATE	SHAFT, inside handle (3/8 dia. x 4 3/8)	3808351	2 .30



**17.208 HINGE, End Gate**

39	SUB. w/END GATE,				
39-46	CANOPY EXPRESS.....	left lower end gate.....	469509	1	1.91
39	SUB. w/END GATE,				
39-46	CANOPY EXPRESS.....	right lower end gate.....	469510	1	1.91
39	SUB. w/END GATE,				
39-46	CANOPY EXPRESS.....	lower half on body.....	469576	2	.95
40-46	SUB. w/END GATE.....	upper end gate, left—hinge and link assy.	3800497	1	2.55
40-46	SUB. w/END GATE.....	upper end gate, right—hinge and link assy.	3800498	1	2.55
40-46	SUB. w/END GATE.....	upper end gate, left—housing assy.....	3800507	1	.57
40-46	SUB. w/END GATE.....	upper end gate, right—housing assy.....	3800508	1	.57
40-46	SUB. w/END GATE.....	left—lower end gate.....	3800457	1	1.71
40-46	SUB. w/END GATE.....	right—lower end gate.....	3800458	1	1.71
47-54	CAN. EXP., SUB. w/END GATE.....	lower half on body.....	3808361	2	1.88
47-54	CAN. EXP., SUB. w/END GATE.....	left lower end gate.....	3807971	1	3.02
47-54	CAN. EXP., SUB. w/END GATE.....	right lower end gate.....	3807972	1	3.02
47-50	SUB. w/END GATE.....	left upper end gate.....	3809089	1	6.26
47-50	SUB. w/END GATE.....	right upper end gate.....	3809090	1	6.26
51-54	SUB. w/END GATE.....	left upper end gate.....	3808047	1	3.98
51-54	SUB. w/END GATE.....	right upper end gate.....	3808048	1	3.98

**PARTS, End Gate Hinge**

39	SUB. w/END GATE.....	PIN, lower end gate hinge.....	598853	2	(16.323)
40-50	SUB. w/END GATE.....	PIN, upper door hinge link.....	3800503	4	.06
51-54	SUB. w/END GATE.....	PIN, hinge link upper (3/8 dia. x 1 3/8 O.L.).....	3808064	2	.06
40-50	SUB. w/END GATE.....	WASHER, upper door hinge link pin.....	3800504	4	.02
51-54	SUB. w/END GATE.....	WASHER, hinge link pin (1 1/8 LD. x 3/8 O.D.).....	3808065	4	.04
40-50	SUB. w/END GATE.....	BEARING, upper door hinge link pin.....	3800505	4	.06
47-54	CAN. EXP., SUB. w/END GATE.....	STUD (3/8 O.D. x 3 1/2 long x 1/4—20 thd.).....	3808508	2	.25
51-54	SUB. w/END GATE.....	HOUSING, hinge, left upper.....	3808067	1	.95
51-54	SUB. w/END GATE.....	HOUSING, hinge, right upper.....	3808068	1	.95
51-54	SUB. w/END GATE.....	SPACER, hinge link (1/2 O.D. x 3/8).....	3808066	2	.11
40-46	SUB. w/END GATE.....	REINFORCEMENT, left—on upper gate.....	3800535	1	.33
40-46	SUB. w/END GATE.....	REINFORCEMENT, right—on upper gate.....	3800536	1	.33
40-46	SUB. w/END GATE.....	REINFORCEMENT, left—on rear roof rail.....	3800487	1	.27

**17.222 CHAIN—CABLE—REEL—RETAINER, End Gate**

39-54	CANOPY EXPRESS,				
41-46	SUB. w/END GATE.....	(30 in. long).....	3808143	2	.53
47-54	SUB. w/END GATE.....	CABLE, end gate lower.....	3808614	2	1.37
47-54	SUB. w/END GATE.....	REEL, end gate cable (with tape).....	3808615	2	2.43
47-54	SUB. w/END GATE.....	RETAINER, left—end gate cable.....	3809675	1	.22
47-54	SUB. w/END GATE.....	RETAINER, right—end gate cable.....	3809676	1	.22

**17.230 COVER, Tool Box**

47-54	SGL. UNIT (exc. SUB.).....		3808763	1	2.83
-------	----------------------------	--	---------	---	------

**17.270 CURTAIN ASSEMBLY, Side**

47-54	1/2 TON CANOPY EXPRESS.....	left.....	3807659	1	15.58
47-54	1/2 TON CANOPY EXPRESS.....	right.....	3807660	1	15.58
47-54	1 TON CANOPY EXPRESS.....	left.....	3807813	1	19.05
47-54	1 TON CANOPY EXPRESS.....	right.....	3807814	1	19.05

**17.274 CURTAIN ASSEMBLY, Back**

40-46	CANOPY EXPRESS.....		3801079	1	6.92
47-54	CANOPY EXPRESS.....		3807677	1	16.74

**17.278 STRAP, Curtain Roll-up**

31-54	CANOPY EXPRESS.....	w/fasteners (12 in. long).....	467383	A.B.	.27
-------	---------------------	--------------------------------	--------	------	-----

**17.500 GATE ASSEMBLY, Side Stake**

40-53	UTIL. PLATFORM.....		3800825	2	12.00
54	P, T, W (PLATFORM).....		3811062	2	15.00

**17.505 SIDE ASSEMBLY, Body**

41-53	½ TON PICK-UP BOX.....	left.....	3810803	1	14.48
41-53	½ TON PICK-UP BOX.....	right.....	3810860*	1	14.48
41-53	¾ TON PICK-UP BOX.....	left.....	3810805†	1	15.74
41-53	¾ TON PICK-UP BOX.....	right.....	3690610†	1	16.95
47-53	1 TON PICK-UP BOX.....	left.....	3810807	1	21.86
47-53	1 TON PICK-UP BOX.....	right.....	3690478	1	21.86
54	½ TON PICK-UP BOX.....	left.....	3810429	1	16.95
54	½ TON PICK-UP BOX.....	right.....	3810430	1	16.95
54	¾ TON PICK-UP BOX.....	left.....	3810431	1	18.50
54	¾ TON PICK-UP BOX.....	right.....	3810432	1	18.50
54	1 TON PICK-UP BOX.....	left.....	3810506	1	24.50
54	1 TON PICK-UP BOX.....	right.....	3810506	1	24.50

\*NOTE: On 1941-48 Jobs it will be necessary to redrill holes for fender.

On 1947-48 Jobs it will be necessary to cut 2 ½ hole for gasoline filler neck.

†NOTE: On 1941-46 Jobs, it is necessary to redrill holes for attaching rear fender. When using 3690610 on 1947-48 Jobs, cut a 3 ½ hole in front side of panel for gasoline filler neck.

**17.515 STAKE, Rack**

34-54	STAKE RACK.....	(1 ½ x 2 ¼ x 46 ¾ long).....	463736	A.R.	1.18
-------	-----------------	------------------------------	--------	------	------

**17.522 FASTENER, Stake Rack**

31-54	STAKE RACK.....	corner, left, front and rear (2 ½ x 3 ¼ x 1 ¼ high).....	487561	2	.45
31-54	STAKE RACK.....	corner, right, front and rear (2 ½ x 3 ¼ x 1 ¼ high).....	457562	2	.45
31-54	STAKE RACK.....	flat (2 ½ x 4 ½ x ¾ thick) (used on left side rack at center and rear).....	457563	2	.38
31-54	STAKE RACK.....	flat (2 ½ x 4 ½ x ¾ thick) (used on right side rack at center and rear and on rear rack).....	457564	3	.38
34-54	STAKE RACK.....	WASHER, round grip (1 ¼ I.D. x ¾ O.D.).....	464281	A.R.	.02
51-54	STAKE RACK.....	BOLT, latch.....	3807996	3	.60
51-54	STAKE RACK.....	BRACKET, latch bolt.....	3807995	3	.22
51-54	STAKE RACK.....	SPRING, latch bolt (½ wide x 3 ½ O.L.).....	3808309	3	.10

**17.524 HINGE, Stake Gate**

31-54	STAKE RACK.....		457559	16	.33
34-54	STAKE RACK.....	PIN, gate hinge (2 ¾ wide x 4 ¾ long overall).....	463752	8	.18
34-54	STAKE RACK.....	RETAINER, hinge pin.....	463753	8	.05

**17.560 RACK ASSEMBLY, Rear End Stake**

40-53	¾ TON PLATFORM.....	left.....	3800875	1	11.00
40-53	¾ TON PLATFORM.....	right.....	3807936	1	11.00
40-53	PLATFORM EXPRESS (w/STAKE RACK).....	left.....	3800869	1	12.00
40-53	PLATFORM EXPRESS (w/STAKE RACK).....	right.....	3807944	1	12.00
54	¾ TON PLATFORM.....	left.....	3811078	1	12.00
54	¾ TON PLATFORM.....	right.....	3811080	1	12.00
54	1, 1 ½, 2 TON PLATFORM.....	left.....	3811081	1	15.00
54	1, 1 ½, 2 TON PLATFORM.....	right.....	3811082	1	15.00

**17.565 STEP UNIT, Rear**

54	PLATFORM.....		986980	1	9.50
----	---------------	--	--------	---	------

**17.615 GATE ASSEMBLY, End**

32-46	310, 638, 881, 719, 454.....		460081	1	9.38
34-39	PICK-UP BOX.....		471196	1	7.49

**17.500 GATE ASSEMBLY, Side Stake**

40-53	UTIL. PLATFORM.....		3800825	2	12.00
54	P, T, W (PLATFORM).....		3811062	2	15.00

**17.505 SIDE ASSEMBLY, Body**

41-53	½ TON PICK-UP BOX.....	left.....	3810803	1	14.48
41-53	½ TON PICK-UP BOX.....	right.....	3810860*	1	14.48
41-53	¼ TON PICK-UP BOX.....	left.....	3810805†	1	15.74
41-53	¼ TON PICK-UP BOX.....	right.....	3690610†	1	16.95
47-53	1 TON PICK-UP BOX.....	left.....	3810807	1	21.86
47-53	1 TON PICK-UP BOX.....	right.....	3690478	1	21.86
54	½ TON PICK-UP BOX.....	left.....	3810429	1	16.95
54	½ TON PICK-UP BOX.....	right.....	3810430	1	16.95
54	¼ TON PICK-UP BOX.....	left.....	3810431	1	18.50
54	¼ TON PICK-UP BOX.....	right.....	3810432	1	18.50
54	1 TON PICK-UP BOX.....	left.....	3810506	1	24.50
54	1 TON PICK-UP BOX.....	right.....	3810506	1	24.50

\*NOTE: On 1941-48 Jobs it will be necessary to redrill holes for fender.

On 1947-48 Jobs it will be necessary to cut 2 ½ hole for gasoline filler neck.

†NOTE: On 1941-46 Jobs, it is necessary to redrill holes for attaching rear fender. When using 3690610 on 1947-48 Jobs, cut a 3 ½ hole in front side of panel for gasoline filler neck.

**17.516 STAKE, Rack**

34-54	STAKE RACK.....	(1 ½ x 2 ¼ x 46 ¾ long).....	463736	A.R.	1.18
-------	-----------------	------------------------------	--------	------	------

**17.522 FASTENER, Stake Rack**

31-54	STAKE RACK.....	corner, left, front and rear (2 ½ x 3 ¼ x 1 ¼ high).....	487561	2	.45
31-54	STAKE RACK.....	corner, right, front and rear (2 ½ x 3 ¼ x 1 ¼ high).....	457562	2	.45
31-54	STAKE RACK.....	flat (2 ½ x 4 ½ x ¾ thick) (used on left side rack at center and rear).....	457563	2	.38
31-54	STAKE RACK.....	flat (2 ½ x 4 ½ x ¾ thick) (used on right side rack at center and rear and on rear rack).....	457564	3	.38
34-54	STAKE RACK.....	WASHER, round grip (1 ¼ I.D. x ¾ O.D.).....	464281	A.R.	.02
51-54	STAKE RACK.....	BOLT, latch.....	3807996	3	.60
51-54	STAKE RACK.....	BRACKET, latch bolt.....	3807995	3	.22
51-54	STAKE RACK.....	SPRING, latch bolt (½ wide x 3 ½ O.L.).....	3808309	3	.10

**17.524 HINGE, Stake Gate**

31-54	STAKE RACK.....		457559	16	.33
34-54	STAKE RACK.....	PIN, gate hinge (2 ¾ wide x 4 ¾ long overall).....	463752	8	.18
34-54	STAKE RACK.....	RETAINER, hinge pin.....	463753	8	.05

**17.560 RACK ASSEMBLY, Rear End Stake**

40-53	¼ TON PLATFORM.....	left.....	3800875	1	11.00
40-53	¼ TON PLATFORM.....	right.....	3807936	1	11.00
40-53	PLATFORM EXPRESS (w/STAKE RACK).....	left.....	3800869	1	12.00
40-53	PLATFORM EXPRESS (w/STAKE RACK).....	right.....	3807944	1	12.00
54	¼ TON PLATFORM.....	left.....	3811078	1	12.00
54	¼ TON PLATFORM.....	right.....	3811080	1	12.00
54	1, 1 ½, 2 TON PLATFORM.....	left.....	3811081	1	15.00
54	1, 1 ½, 2 TON PLATFORM.....	right.....	3811082	1	15.00

**17.565 STEP UNIT, Rear**

54	PLATFORM.....		986980	1	9.50
----	---------------	--	--------	---	------

**17.615 GATE ASSEMBLY, End**

32-46	310, 638, 881, 719, 454.....		460081	1	9.38
34-39	PICK-UP BOX.....		471196	1	7.49

40	PICK-UP BOX.....		3800262	1	7.49
40-51	PLATFORM EXPRESS.....		3800830	1	28.71
41-46	PICK-UP BOX.....		3801850	1	7.49
47-53	PICK-UP BOX.....		3806856	1	8.50
54	PICK-UP BOX.....		3810424	1	9.75

**17.625 BRACKET--TRUNNION, End Gate Hinge**

34-51	PLATFORM EXPRESS.....	(on end gate).....	3800832	4	.80
40-51	PLATFORM EXPRESS.....	(on platform).....	3800954	4	.97
39-40	PICK-UP BOX.....	left, outer (2 $\frac{1}{2}$ x $\frac{3}{4}$ x $\frac{3}{8}$ thick).....	3800399	1	.33
39-40	PICK-UP BOX.....	right, outer (2 $\frac{1}{2}$ x $\frac{3}{4}$ x $\frac{3}{8}$ thick).....	3800400	1	.33
34-53	PICK-UP BOX.....	(3 $\frac{1}{8}$ wide x 3 $\frac{3}{8}$ long x 1 $\frac{1}{8}$ high).....	3806884*	2	.48
54	PICK-UP BOX.....	TRUNNION (1 $\frac{1}{2}$ dia.).....	3810706	2	.25

\*NOTE: When using 3806884 on 1934-39 PICK-UP BOX, the two bolt holes must be slotted approx.  $\frac{1}{8}$  inch towards centerline of part. Rework part for difference in height.

**17.635 CHAIN ASSEMBLY--EYE--BOLT--WASHER--COVER, End Gate**

34-51	PLATFORM EXPRESS.....	(53 $\frac{1}{2}$ long).....	3800833	2	2.23
32-53	PICK-UP BOX.....	left (23 $\frac{1}{4}$ long).....	3801845	1	1.00
32-53	PICK-UP BOX.....	right (23 $\frac{1}{4}$ long).....	3801846	1	1.00
54	PICK-UP BOX.....	left (23 $\frac{1}{4}$ O.L.).....	3810823	1	1.25
54	PICK-UP BOX.....	right (23 $\frac{1}{4}$ O.L.).....	3810824	1	1.25
32-51	STAKE RACK EXPRESS.....	EYE (1 $\frac{3}{4}$ x 5 $\frac{1}{8}$ x 1 $\frac{1}{8}$ high).....	458975	2	.48
33-48	PICK-UP BOX.....	BOLT, chain ( $\frac{5}{16}$ -18 x 2).....	126380	2	(8.903)
33-53	PICK-UP BOX.....	WASHER, chain bolt.....	3688003	2	(8.143)
54	PICK-UP BOX.....	COVER, chain (1 $\frac{1}{2}$ x 13).....	3810750	2	.25



**~ BLANK PAGE ~**

**~ BLANK PAGE ~**

## SUPPLEMENTARY DATA

As an additional convenience this section includes charts of the more active parts, together with other information consolidated for quick reference.

This data supplements the regular parts listing, still shown in the usual group location, and the chart or table form used will serve to facilitate the finding of parts. Use of the dimensional and other distinguishing data will provide a means of identifying mixed stock, matching parts from submitted samples, etc.

# 1941-54 GRILLE PARTS (Passenger)

YEAR	HORIZONTAL MOULDING				Deflector 1.268	Rnct. Amy. 1.268	VERTICAL MOULDING					
	Amy. 1.268	Upper 1.268	Center 1.268	Lower 1.268			Moulding Side 1.268	Center 1.268	Inter. 1.268	Outer 1.268	Park. Lamp 1.268	
1941	3658060	3658303	3658071	3658070-R 3658069-L			3658068-R 3658067-L					
1942	3653895	3664332	3664083	3664264-R 3664263-L			3663906-R 3663905-L					
1946	3681272	3676572										
1947	3847498-R 3690280-Ctr. 3847455-L	3687410										
1948	3647456-R 3690280-Ctr. 3847455-L	3687410						3687190				
1949		3688269	3688271	3689366				3688381	3688382	3688384-R 3688383-L		
1950		3688269	3688271	3693966						3688384-R 3688383-L	3692604-R 3692603-L	
1951		3694925*	3699046	3699047	3694928-Ctr. 3694933-Lwr.		3700076-R 3700075-L					
1952		3694925*	3700073	3699048	3699636-Ctr. 3694933-Lwr.		3700078-R 3700075-L	3700081	3700080-R 3700079-L	3700078-R 3700077-L		
1953		3701630*	3701629	3697849	3697859-Ctr. 3697860-Lwr.		3701632-R 3701631-L	3696012		3696016-R 3696015-L		
1954		3701630*	3705305	3705306			3705308-R 3705307-L	3705319	3705312-R 3705311-L	3705310-R 3705309-L		

\*Header Bar Reinforcement

# 1941-54 FRONT END PARTS (Passenger)

YEAR	HOOD				HEAD LAMP				PARKING LAMP				FENDER	
	Top Panel 8.000	Top Moulding 8.016	Orna- ment 8.055	Emblem 8.055	Name Plata 1.303	Amy. 2.725	Sealed Beam 2.727	Moulding 2.728	Amy. 2.585	Lens 2.589	Fender 8.130	Cap 8.131		
1941	3658154-R 3658153-L	3658400-Frt. 3658205-Rr.	3686142	3658075	3658075	925023	193195	5941977	916372-R 916371-L	5935778	605418-R 605417-L			
1942	3684112-R 3684111-L	3664608-Frt. 3664850-Rr.	3664871	3664615		925185	193195	5932799	917062-R 917061-L	5933886-R 5933885-L	3663310-R 3663309-L	3663518-R 3663517-L		
1946	3684112-R 3684111-L	3664608-Frt. 3681738-Rr.	3681650	3681683	3681705	925185	193195	5932799	928504-R 928503-L	5935630	3681288-R 3681287-L	3663518-R 3663517-L		
1947-48	3684112-R 3684111-L	3664808-Frt. 3684363-Rr.	3684376	3687425		925185	193195	5932799	928516-R 928515-L	5936810-R 5936809-L	3684118-R 3684117-L	3663518-R 3663517-L		
1949	3699626-R 3699625-L	3688255-Frt. 3701990-Rr.	3688253	3693312		926015	193195	5941285	928541	5938155	3690632-R 3690631-L			
1950	3699626-R 3699625-L	3688255-Frt. 3701990-Rr.	3688253	3693312		926015	193195	5941285	928560	5939299	3690632-R 3690631-L			
1951	3699626-R 3699625-L	3688255-Frt. 3701990-Rr.	3699033	3699032		926015	193195	5941285	928694-R 928693-L	*	3694962-R 3694961-L			
1952	3699626-R 3699625-L	3688255-Frt. 3701990-Rr.	3699491	3699646		926015	193195	5941285	928764-R 928763-L	5943032	3694962-R 3694961-L			
1953	3705148-R 3705147-L	3701969-Frt. 3701990-Rr.	3701529	3702726		897397	193195	5943962	897381	5943220	3701582-R 3705127-L			
1954	3705346-R 3705345-L	3701969-Frt. 3701990-Rr.	3706035	3705033		897584	193195	5944987	897469	5942343	3704394-R 3704393-L			

\*NOTE—For either Right or Left use 5939934 with Cast Type Lamp Frame and 5940853 with Stamped Type Lamp Frame.

## 1941-54 FRONT BUMPER PARTS (Passenger)

YEAR	Face Bar 7.831	Bumper Guard 7.828	License Guard 7.799	ATTACHING BAR			Bolt 7.874	Filler Panel 1.287
				Outer 7.836	Inner 7.836	Intermediate 7.838		
1941	3687305	3658726	3658744	3658308-R 3658307-L	607888-R 607887-L		3695906	
1942	3663788	3664702-R 3664701-L	3664842	3663890-R 3663889-L	3663888-R 3663887-L		3695906	3653936
1946	3681219	3681918-R 3681917-L		3681256-R 3681255-L	3681254-R 3681253-L		3695906	3681349
1947-48	3681219	3681918-R 3681917-L		3681256-R 3681255-L	3681254-R 3681253-L		3695906	3684052
1949	3698606-R 3698604-Ctr. 3698605-L	3698612-R 3698611-L	3698651	3692452-R 3692451-L	3688286-R 3688285-L	3689380-R 3689379-L	3695906	3688439
1950	3698606-R 3698604-Ctr. 3698605-L	3692626-R 3692625-L	3692672	3692452-R 3692451-L	3688286-R 3688285-L	3689380-R 3689379-L	3695906	3688439
1951-52	3698606-R 3698604-Ctr. 3698605-L	3698608-R 3698607-L	3698613	3692452-R 3692451-L	3688286-R 3688285-L	3689380-R 3689379-L	3695906	3694899
1953	3697342-R 3697345-Ctr. 3697341-L	3697478-R 3697477-L		3697696-R 3697695-L	3697694-R 3697693-L	3697698-R 3697697-L	3695906	3697988
1954	3704532-R 3704887-Ctr. 3704531-L	3704518-R 3704517-L		3704568-R 3704567-L	3708987-R 3708988-L	3704566-R 3704565-L	3695906	3705125

## 1941-54 REAR BUMPER PARTS (Passenger)

YEAR	Face Bar 7.831	Bumper Guard 7.828	Guard Bar Assy. 7.828	ATTACHING BAR			Bolt 7.874	Deflector 7.833
				Outer 7.836	Inner 7.838	Intermediate 7.838		
1941	3847305	3658730		3658336-R 3658335-L	3658334-R 3658333-L		3695906	3658358
1942	3663787	3664389		3658336-R 3658335-L	3658334-R 3658333-L		3695906	3658358
1946-48	3681220	3681917-R 3681918-L		3681300-R 3681299-L	3681298-R 3681297-L		3695906	3681679
1949	3698602-R 3698600-Ctr. 3698601-L	3698611-R 3698612-L		3688294-R 3688293-L	3688292-R 3688291-L		3695906	3688583
1950	3698602-R 3698600-Ctr. 3698601-L	3692646-R 3692645-L		3688294-R 3688293-L	3688292-R 3688291-L		3695906	3688583
1951-52	3698602-R 3698600-Ctr. 3698601-L	3698610-R 3698609-L		3695022-R 3695021-L	3695020-R 3695019-L		3695906	3695903
1953	3697344-R 3697689-Ctr. 3697343-L	3697852-R 3697851-L	3697823	3697912-R 3697911-L	3697910-R 3697909-L		3695906	3702008
1954	3697344-R 3697689-Ctr. 3697343-L	3705428-R 3705425-L	3705421	3697912-R 3697911-L	3697910-R 3697909-L		3695906	3702008



# 1941-48 REAR BODY PARTS (Passenger)

Stln. denotes Styleline; Fltn. denotes Fleetline

YEAR AND MODEL	Deck Lid 12.181	Fender 8.203	REAR QUARTER									
			Side Outer Panel Assy.		Side Outer Lower Rear Corner Panel		Outer Panel Sections					
			Right 12.940	Left 12.940	Right 12.942	Left 12.942	Right 12.944	Left 12.944				
<b>1941</b>												
Open	4117593	Use 609658-R	4148080	4148081	4147011	4147012	4550590	4550591				
Convertible	4117593	609657-L			4147011	4147012	4550590	4550591				
2 Dr. Sedan	4117592	On All	4148082	4148083	4146802	4146803	4550601	4550602				
4 Dr. Sport Sedan	4117592	1941	4148084	4148085	4146802	4146803	4550601	4550602				
4 Dr. Fltn. Sedan	4161992	Models	4148086	4148087	4146950	4146951	4550601	4550602				
			4148088	4148089	4147127	4147128	4550590	4550591				
<b>1942</b>												
Open	4147855	Use	4148080	4148081	4147011	4147012	4550590	4550591				
Convertible	4147955	609658-R	4160999	4161000	4147011	4147012	4550590	4550591				
2 Dr. Sedan	4149870	609657-L	4148082	4148083	4146802	4146803	4550601	4550602				
4 Dr. Sport Sedan	4149870	On All	4148084	4148085	4146802	4146803	4550601	4550602				
4 Dr. Fltn. Sedan	4161992	1942	4148086	4148087	4146950	4146951	4550601	4550602				
Aerosedan	4149869	Models	4148088	4148089	4147127	4147128	4550590	4550591				
<b>1946-48</b>												
Open	4147965	Use	4148080	4148081	4147011	4147012	4550590	4550591				
Convertible	4147955	609658-R	4160999	4161000	4147011	4147012	4550590	4550591				
2 Dr. Sedan	4149870	609657-L	4148082	4148083	4146802	4146803	4550601	4550602				
4 Dr. Sport Sedan	4149870	On All	4148084	4148085	4146802	4146803	4550601	4550602				
4 Dr. Fltn. Sedan	4161992	1946-48	4148086	4148087	4146950	4146951	4550601	4550602				
Aerosedan	4149869	Models	4148088	4148089	4147127	4147128	4550590	4550591				

# 1941-48 DECK LID AND REAR LIGHT PARTS (Passenger)

YEAR AND MODEL	Emblem 12.182	DECK LID			LICENSE LAMP			TAIL AND STOP LAMP			
		Handle 12.248	Assy. w/Brkt. 2.700	Cover 2.706	Lens 2.709	Assy. 2.681	Rim 2.681	Lens 2.682			
<b>1941</b>											
Pam. (exc. 4 Dr. Fltn.)		4118492	605355	5930151	922042	927566-R 927565-L	5931381	5937794			
4-Dr. Fltn. Sedan	4129242* 4129243*	4118492	605355	5930151	922042	927190-R 927189-L	5931381	5930830-R 5930829-L			
<b>1942-48</b>											
Pam. (exc. 4-Dr. Fltn., Aerosedan)	3664044	4125644	606365		5932761	927566-R 927565-L	5931381	5937794			
4-Dr. Fltn. Sedan	4129242* 4129243*	4125644	606365		5932761	927190-R 927189-L	5931381	5930830-R 5930829-L			
Aerosedan	4129242* 4129243*	4125649	606365		5932761	927566-R 927565-L	5931381	5937794			

\*NOTE—1947-48 Emblem is obtainable by ordering 3685099 (Fleetline) or 4129242 (F) and 4129243 (Fleetline).

# 1949-54 REAR BODY PARTS (Passenger)

Shn. denotes Stylolins; Fltn. denotes Flotlines

YEAR AND MODEL	Deck Lid 12.181	Back Lower Comp. Panel 12.988	Gas Tank Comp. Door 12.944	REAR QUARTER															
				Side Outer Panel Assy.		Side Outer Panel		Outer Extension											
				Right 12.940	Left 12.940	Right 12.940	Left 12.940	Right 12.944	Left 12.944										
<b>1949</b>																			
Sdn. Coupes	4180876	4584491	Use	4565074	4584723	4585715	4585716												
Sdn. 2 Dr. Sedan	4180870	4584477	4583006	4581017	4581018	4585728	4585729												
Sdn. 4 Dr. Sedan	4180870	4584477	On All	4581053	4581054	4571218	4571219												
Fltn. 2 Dr. Sedan	4180873	4584482	1949	4581073	4581074	4585703	4585704												
Fltn. 4 Dr. Sedan	4180873	4584482	Models	4581033	4581034	4571717	4571718												
Convertible	4180876	4584491		4566982	4566983	4559871	4559872												
				4582252	4582253	4582258	4582259												
<b>1950</b>																			
Sdn. Coupes	4180876	4584491	Use	4565074	4565075	4585715	4585716												
Sdn. 2 Dr. Sedan	4180870	4584477	4583006	4581017	4581018	4585728	4585729												
Sdn. 4 Dr. Sedan	4180870	4584477	On All	4581053	4581054	4571218	4571219												
Fltn. 2 Dr. Sedan	4180873	4584482	1950	4581073	4581074	4585703	4585704												
Fltn. 4 Dr. Sedan	4180873	4584482	Models	4581033	4581034	4571717	4571718												
Convertible	4180876	4584491		4566982	4566983	4584348	4584349												
Bel Air	4180876	4584491		4582252	4582253	4582258	4582259												
<b>1951</b>																			
Sdn. Coupes	4180876	4588360	Use	4611678	4611679	4588081	4588082												
Sdn. 2 Dr. Sedan	4180870	4588360	4587976	4611930	4611931	4588168	4588169												
Sdn. 4 Dr. Sedan	4180870	4588360	On All	4611932	4611933	4586788	4586789												
Fltn. 2 Dr. Sedan	4180873	4588359	1951	4611493	4611494	4588102	4588103												
Fltn. 4 Dr. Sedan	4180873	4588359	Models	4588139	4588139	4585441	4585442												
Convertible	4180876	4588360		4190946	4190947	4593060	4593061												
Bel Air	4180876	4588360		4190949	4190949	4593074	4593075												
<b>1952</b>																			
Sdn. Coupes	4180876	4588360	Use	4611678	4611679	4588081	4588082												
Sdn. 2 Dr. Sedan	4180870	4588360	4587976	4611930	4611931	4588168	4588169												
Sdn. 4 Dr. Sedan	4180870	4588360	On All	4611932	4611933	4586788	4586789												
Fltn. 2 Dr. Sedan	4180873	4588359	1952	4611493	4611494	4588102	4588103												
Convertible	4180876	4588360	Models	4190946	4190947	4593060	4593061												
Bel Air	4180876	4588360		4190949	4190949	4593074	4593075												

# 1949-54 REAR BODY PARTS (Passenger) (Continued)

Stln. denotes Styleline; Fltn. denotes Fleetline

YEAR AND MODEL	Deck Lid 12.181	Back Lower Comp. Panel 12.988	Gas Tank Comp. Door 12.944	REAR QUARTER											
				Side Outer Panel Assy.		Side Outer Panel		Outer Extension							
				Right 12.940	Left 12.940	Right 12.940	Left 12.940	Right 12.944	Left 12.944						
<b>1953</b>															
Run., Club Coupe	4592888	4629827	Use	4196486	4196487	4196464	4196465							4611988	4611989
2 Dr. Sedan	4591175	4629827	4596397	4191845	4191846	4191843	4191844							4611976	4611977
4 Dr. Sedan	4591175	4629827	On All	4191863	4191864	4191861	4191862							4611976	4611977
Sport Coupe	4592888	4629827	1953	4197300	4197301	4197302	4197303							4611988	4611989
Convertible	4592888	4629827	Models	4197306	4197307	4197308	4197309							4611988	4611989
<b>1954</b>															
Club Cpe.	4199992	4629827	Use	4191845	4191846	4191843	4191844							4611976	4611977
2 Dr. Sedan	4199992	4629827	4596397	4191845	4191846	4191843	4191844							4161976	4611977
4 Dr. Sedan	4199992	4629827	On All	4191863	4191864	4191861	4191862							4611976	4611977
Spt. Cpe.	4199993	4629827	1954	4197300	4197301	4197302	4197303							4611988	4611989
Convertible	4199993	4629827	Models	4197306	4197307	4197308	4197309							4611988	4611989

# 1949-54 DECK LID AND REAR LIGHT PARTS (Passenger)

Stln. denotes Styleline; Fltn. denotes Fleetline

YEAR AND MODEL	DECK LID			LICENSE LAMP			TAIL AND STOP LAMP		
	Emblarn 12.182	Handle 12.246	Assy, w/o Brkt. 2.700	Cover 2.706	Lens 2.709	Assy. 2.679	Rim 2.561	Lens 2.682	
1949 All Models	3688052	4167893	927656	5937942	5938832	927578-R 927577-L	5937864-R 5937863-L	5937861	
1950 Pass. (exc. 2-Dr., 4-Dr. Fltn.)	[3694841] ["Power"]	4578807	927656	5937942	5938832	927756-R 927755-L	5937864-R 5937863-L	5939421	
2-Dr., 4-Dr. Fltn.	[3694842] ["Glide"]	4579236	927656	5937942	5938832	927756-R 927755-L	5937864-R 5937863-L	5939421	
1951 Pass. (exc. 2-Dr., 4-Dr. Fltn.)		3695335 3699036†	927655	5940619	5940480	927884-R 927883-L	5941091	5940036	
2-Dr., 4-Dr. Fltn.		3695664 3699037†	927655	5940619	5940480	927884-R 927883-L	5941091	5940036	
1952 Pass. (exc. 2-Dr. Fltn.)	[Sta. 3697660] ["Wag. "Chevrolet"]	3699617 3699621†	927655	5940619	5940480	927884-R 927883-L	5941091	5940036	
2-Dr. Fltn.		3699709 3699723†	927655	5940619	5940480	927884-R 927883-L	5941091	5940036	
1953 All Models	[Sta. 3697660] ["Wag. "Chevrolet"]	3702729† 3702732†	897463*	5943380	5935947	928266	5943401	5943403-Upr. 5943406-Ctr. 5943404-Lwr.	
1954	† [3707870] ["Chevrolet"] 3707871 ["Power Glide"]	3708031	897463*	5942309	5935947	926996	5941670	5941679-Upr. 5941699-Lwr.	

\*828796 includes Bracket. †Powerglide Models. ‡Sta. Wag. 3697660 "Chevrolet"

# 1941-54 WHEEL PARTS (Passenger)

YEAR	FRONT AND REAR ASSY.			HUB CAP FRONT AND REAR		COVER PANEL	
	16 x 4.80K 5.803	18 x 4.00 5.803	15 x 5K 5.803	5.868	RIGHT 8.175	LEFT 8.175	
1941	3693214	3651952	3658374	3658374			
1942	3693214	3651952	3658374	3658374			
1946	3693214		3658374	3658374			
1947	3693214		3658374	3658374			
1948	3693214		3658374	3658374			
1949			3687990	3705091	3693334	3693333	
1950			3687990	3705091	3693334	3693333	
1951			3687990	3701416	3695982	3695982	
1952			3687990	3701416	3695982	3695982	
1953			3687990	3701416‡	3699930	3699929	
1954			3707031	3707030*			

†NOTE: For Bel Air Series, use Part No. 3698231.

\*NOTE: For Bel Air Series, use Part No. 3706306.



# TRUCK FRONT END PARTS (Hood, Fender and Grille Parts)

MODEL	HOOD							FENDER			(Horizontal)			(Grille)			(Vertical)	
	Panel 8.000	Moulding 8.015	Catch Assy. 8.029	Plate Assy. 8.080	Name Plate 8.039	Emblem 8.055		4.130	Upper	Center	Lower	Upper	Outer End	Lower Assy.				
COMMERCIAL 1947-52 1947-53	3682516-R 3682515-L	3681480		3682709	3699024	3699021*	3682558-R 3682557-L	3700339	3700452-R 3700451-L	3700439	3700511	3700406-R 3700405-L	3693744					
1947-54 1954	3701466-R 3701465-L	3681600		3701424	3699024		3700182-R 3700181-L											
UTILITY (exc. COE) 1947-52 1947-53	3682548-R 3682547-L	3681600		3682709	3699070	3699070	3682482-R 3682481-L						3847354					
1947-54 1954	3701402-R 3701401-L	3681617		3701424			3700210-R 3700209-L	3700341	3700378-R 3700377-L	3700267	3700591	3700270-R 3700269-L						
COE 1947-52 1947-53	3676235	3686167	3686302-R 3686301-L		3699024	3699022	3683964-R 3683963-L						3847358					
1947-54 1954	3700243						3700574-R 3700573-L COMM.	3700906	(Chrome) 3701114-R 3701113-L		3700588 (Chrome) 3701112							

\*For Dobl-Dutti.  
Use Part No. 3699070.

# TRUCK LAMP AND BUMPER PARTS

MODEL	LAMP					BUMPER					ATTACHING BAR	
	Parking 2.585	Assy. 2.725	Sealed Beam 2.727	Moulding 2.728	Face Bar 7.831	Bell 7.874	Filler Panel 1.287	Bracket w/Support 7.796	Inner 7.836	Outer 7.836		
COMMERCIAL 1947-52 1947-53	928665	897438	193195 & 193142	5941285	\$	3695906	3684145†	3847439	3683664-R 3683663-L	3683656-R 3683655-L		
1947-54 1954	897429	897438	193195 & 193142	5941285					3701950-R 3701949-L	3701952-R 3701951-L		
UTILITY (exc. COE) 1947-52 1947-53 1947-54 1954	928665 897429	897438	193195 & 193142	5941285	3684096	3695906	3684324	3847439		3683314		
COE 1947-52 1947-53 1947-54 1954	897429	897440	193195 & 193142	5941285	3684096	3695906	3684324	3847439		3684637		

†Does not include Dobl-Dutti Models.  
‡1/2, 3/4 Ton (exc. D-D) use 3700438; 1 Ton (exc. D-D) use 3700437; D-D (48-52) use 3690266.

# PASSENGER FRONT DOOR LOCK HANDLE AND PARTS

DESCRIPTION	Group No.	1937-40 Closed (Exc. Conv.)	1940 Conv.	1941-48 Pass.	1949 Pass. (Type)	1949-50 Pass. (Type)	1951-52 Pass.	1953-54 Pass. (Exc. 1954, STA. WAG.)	1953-54 Conv., Spl. Cpe.	1953-54 Sta. Wag.
HANDLE, Locking, less cyl.	10.527	4098734	4102266	§	R. 4168322 L. 4168323	R. 4168322 L. 4168323	R. 4168322 L. 4168323	R. 4150568 L. 4150569	R. 4150572 L. 4150573	R. 4150570 L. 4150571
WASHER, Spring Seat	10.529				4168349	4168349	4168349	4168349	4168349	4168349
WASHER, Spring Stop	10.529				4173130	4173130	4173130	4173130	4173130	4173130
RETAINER, Button Spring	10.529				4168353	4168353	4168353	4168353	4168353	4168353
SPRING, Button Push	10.529				4173131	4173131	4173131	4173131	4173131	4173131
RING, Push Button	10.529				4168356	4168356	4168356	4168356	4168356	4168356
PAWL	10.531	4082053	4082053							
GASKET UNIT	10.538				†3692246	3692246	3692246	3704007	3704007	3704007
SCREW, Handle Ret.	10.540	*3692246	*3692246							
LOCK ASSY., w/cyl. & keys	10.548			*R. 1393155 *L. 1393156						
CYLINDER	10.550	* 601263	* 601263	*R. 1394993 *L. 1394992	3693969	3693969	3697875	3697875	3697875	3697875
SPRING, Tension	10.551	*†4043224	*†4043224							
PIN, Handle Ret.	10.551	*4045949	*4045949							
RETAINER, w/Clip, Washer, Spring	10.551			1394715				R. 4601481 L. 4601482	R. 4601975 L. 4601976	R. 4601481 L. 4601482
SLEEVE, Shaft Ret.	10.552				7001021	7002210	7003043	7003043	7003043	7003043
GAP, Shaft Ret.	10.552				7001022	7002226	7003044	7003044	7003044	7003044
WASHER, Shaft Ret.	10.552				7001024	7001043	7001043	7001043	7001043	7001043
RING, Shaft Ret.	10.552				4584716	4584716	4584716	4584716	4584716	4584716
CASE, w/Spring	10.552	* 601264	* 601264							
CASE, w/Dust Cover	10.552			*R. 1394712 L. 1394713						
TUMBLER UNITS, Copper	10.553	601256	601256	601256	601256	601256	601256	601256	601256	601256
Nickel	10.553	601257	601257	601257	601257	601257	601257	601257	601257	601257
Black	10.553	601258	601258	601258	601258	601258	601258	601258	601258	601258
Yellow	10.553	601259	601259	601259	601259	601259	601259	601259	601259	601259
SPRING UNIT	10.553	601260	601260	601260	601260	601260	601260	601260	601260	601260
RETAINER UNIT	10.553	601261	601261	601261	601261	601261	601261	601261	601261	601261
SHAFT	10.554	603166	604388	* 605325	7001075	7003040	7003040	7003040	7003040	7003040

\* Fits all Closed to 1948. Used with STA. WAG. 1946-48.

† Closed exc. SDL.

§ See Group 10.534 for Safety Lock Handle.

# PASSENGER FRONT DOOR LOCK HANDLE AND PARTS

DESCRIPTION	Group No.	1937-40 Closed (Exc. Conv.)	1940 Conv.	1941-48 Pass.	1949 Pass. (Type)	1949-50 Pass. (Type)	1951-52 Pass.	1953-54 Pass. (Exc. 1954, STA. WAG.)	1953-54 Conv., Spl. Cps.	1953-54 Sta. Wag.
HANDLE, Locking, less cyl.	10.527	4098734	4102266	§	R. 4168322 L. 4168323	R. 4168322 L. 4168323	R. 4168322 L. 4168323	R. 4150568 L. 4150569	R. 4150572 L. 4150573	R. 4150570 L. 4150571
WASHER, Spring Seat	10.529				4168349	4168349	4168349	4168349	4168349	4168349
WASHER, Spring Stop	10.529				4173130	4173130	4173130	4173130	4173130	4173130
RETAINER, Button Spring	10.529				4168353	4168353	4168353	4168353	4168353	4168353
SPRING, Button Push	10.529				4173131	4173131	4173131	4173131	4173131	4173131
RING, Push Button	10.529				4168356	4168356	4168356	4168356	4168356	4168356
PAWL	10.531	4082053	4082053							
GASKET UNIT	10.538				†3692246	3692246	3692246	3704007	3704007	3704007
SCREW, Handle Ret.	10.540	*3692246	*3692246							
LOCK ASSY., w/cyl. & keys	10.548			*R. 1393155 *L. 1393156						
CYLINDER	10.550	* 601263	* 601263	*R. 1394993 *L. 1394992	3693969	3693969	3697875	3697875	3697875	3697875
SPRING, Tension	10.551	*†4043224	*†4043224							
PIN, Handle Ret.	10.551	*4045949	*4045949							
RETAINER, w/Clip, Washer, Spring	10.551			1394715				R. 4601481 L. 4601482	R. 4601975 L. 4601976	R. 4601481 L. 4601482
SLEEVE, Shaft Ret.	10.552				7001021	7002210	7003043	7003043	7003043	7003043
GAP, Shaft Ret.	10.552				7001022	7002226	7003044	7003044	7003044	7003044
WASHER, Shaft Ret.	10.552				7001024	7001043	7001043	7001043	7001043	7001043
RING, Shaft Ret.	10.552				4584716	4584716	4584716	4584716	4584716	4584716
CASE, w/Spring	10.552	* 601264	* 601264							
CASE, w/Dust Cover	10.552			*R. 1394712 L. 1394713						
TUMBLER UNITS, Copper	10.553	601256	601256	601256	601256	601256	601256	601256	601256	601256
Nickel	10.553	601257	601257	601257	601257	601257	601257	601257	601257	601257
Black	10.553	601258	601258	601258	601258	601258	601258	601258	601258	601258
Yellow	10.553	601259	601259	601259	601259	601259	601259	601259	601259	601259
SPRING UNIT	10.553	601260	601260	601260	601260	601260	601260	601260	601260	601260
RETAINER UNIT	10.553	601261	601261	601261	601261	601261	601261	601261	601261	601261
SHAFT	10.554	603166	604388	* 605325	7001075	7003040	7003040	7003040	7003040	7003040

\* Fits all Closed to 1948. Used with STA. WAG. 1946-48.

† Closed exc. SDL.

§ See Group 10.534 for Safety Lock Handle.

# REAR COMPARTMENT HANDLE AND LOCKING PARTS

DESCRIPTION	Group No.	1942-48 Part. (exc. Sta. Wag.)	1949 Part. (exc. Sta. Wag.)	1947-53 Sta. Wag.	1954 Closed (exc. FHM.)	1950 Floodline	1951 FHM. w/P.G.	1951 Stylolite w/P.G.	1951 Floodline (exc. P.G.)	1951 Stylolite (exc. P.G.)	1952 1007 w/P.G.	1952 Stylolite w/P.G.	1952 1007 (exc. P.G.)	1952 Stylolite (exc. P.G.)	1953 Pass. w/P.G.	1953 Pass. (exc. P.G.)	1954 Pass.
HANDLE, Less Cyl.	12.246	4125644	4167893	4171922	4578807	4579256	3699037	3699036	3695664	3695335	3699723	3699721	3699708	3699617	3702732	3702729	3705031
HANDLE, w/Cyl. & Keys	12.247	*4148246	4563164	† 609908													
SPRING, Tension	12.247	4043224	4043224		4043224	4043224											
PIN	12.247	4045949	4045949		4045949	4045949											
HOUSING, w/Cyl. & Keys	12.247				4571880	4579373											
HOUSING, Less Parts	12.247				4170886	4175545											
LOCK ASSY., 2 Keys	12.247						4588051	4588051	4588051	4588051	4588051	4588051	4588051	4588051	4588051	4588051	4588051
GASKET	12.247						4587931	4587931	4587931	4587931	4587931	4587931	4587931	4587931	4587931	4587931	4587931
CYLINDER, Less Tumbler & Keys	12.248	607162	3692523	†3692500	513612	513612	3697944	3697944	3697944	3697944	3697944	3697944	3697944	3697944	3697944	3697944	3697944
CASE, Cylinder	12.249	607071					7003013	7003013	7003013	7003013	7003013	7003013	7003013	7003013	7003013	7003013	7003013
CAP, Cylinder Case	12.249						7003014	7003014	7003014	7003014	7003014	7003014	7003014	7003014	7003014	7003014	7003014
CASE & SPRING, Cyl.	12.249		3692522		3692522	3692522											
SPRING, Cylinder Tension	12.249	4043224	4043224		4043224	4043224											
SPRING, Cylinder Coil	12.249						7001087	7001087	7001087	7001087	7001087	7001087	7001087	7001087	7001087	7001087	7001087
TUMBLER SET, Copper	12.249	601256	601256		601256	601256	601256	601256	601256	601256	601256	601256	601256	601256	601256	601256	601256
Nickel	12.249	601257	601257		601257	601257	601257	601257	601257	601257	601257	601257	601257	601257	601257	601257	601257
Black	12.249	601258	601258		601258	601258	601258	601258	601258	601258	601258	601258	601258	601258	601258	601258	601258
Yellow	12.249	601259	601259		601259	601259	601259	601259	601259	601259	601259	601259	601259	601259	601259	601259	601259
SPRING SET	12.249	601260	601260		601260	601260	601260	601260	601260	601260	601260	601260	601260	601260	601260	601260	601260
RETAINER SET	12.249	601261	601261		601261	601261	601261	601261	601261	601261	601261	601261	601261	601261	601261	601261	601261
RETAINER, Horseshoe Type	12.249	‡4146973															
Retainer, Lock Cylinder	12.249						4602513	4602513	4602513	4602513	4602513	4602513	4602513	4602513	4602513	4602513	4602513
ESGUTCHEON, End Gate Hdle.	12.250			4171921													
RING, End Gate Hdle.	12.250			4150660													
UNIT, End Gate Hdle.	12.250			3692798													
KEY BLANK, Round Head	12.251	7002238															
KEY BLANK, Octagon Head	12.251		3694624		3694624	3694624	3694624	3694624	3694624	3694624	3694624	3694624	3694624	3694624	3694624	3694624	3694624
SHAFT	12.252	†1607073	3692541		513580	3694652	7003048	7003048	7003048	7003048	7003048	7003048	7003048	7003048	7003048	7003048	7003048
PAWL	12.254	‡4023959	4167906	4171920	4167906	4167906											
SLEEVE	12.254		4655815														

\*Not serviced for SDL, for Model 1007 use 4148247.

†Used on 1946-47 STA. WAG. only.

‡Has 2 keys coded to no specified key number.

§Used only with 1946-48 Closed (exc. SDL.)

††For Model 1007 use 607072.

‡‡For Model 1007 use 4023956.



# MAJOR EXHAUST SYSTEM PARTS

The following pages include a part number listing of Major Exhaust System parts for passenger and truck models 1941 through 1954. Additional exhaust system parts may be found in the following groups:

- |  |  |  |  |
|--|--|--|--|
| 3.614 Flange, Exhaust Pipe Packing       | 3.704 Strap—Bolt—Bracket—Support—Insulator—Retainer, Muffler | 3.707 Retainer—Washer—Grommet—Spacer—Bolt, Muffler Support and Bracket | 3.709 Insulator—Bolt—Grommet—Washer, Tail Pipe Bracket |
| 3.616 Spring—Clamp, Exhaust Pipe Support |  |  |  |

		Muffler	Muffler Aluminized	Exhaust Pipe	Tail Pipe	Exhaust Pipe to Muffler Clamp	Muffler to Tail Pipe Clamp	Exhaust Pipe Packing	Tail Pipe Bracket with Clamp
<b>1941</b>	Group →	3.701	3.701	3.609	3.705	3.708	3.709	3.611	3.706
Pass. exc. Conv.		3659201	609695	3657963	3687978†	3693811	3693812	593606	3658199
Convertible		3659201	609695	3659737	3687994	3693811	3693812	593606	3658199
½ Ton Comm.		3656598	609750	3656596	3656764	3657043	370585	593606	3656791
¾ Ton Comm.		3656598	609750	3656596	3657135	3657043	370585	593606	3656925
1-1½ Ton Panel 134½" W.B.		3656598	609750	3656596	3656962	3657043	370585	593606	3656925
1½ Ton exc. Panel 134½" & 160" W.B.		3656598	609750	3656596	3684840	3657043	370585	593606	3657005
School Bus Chassis		3656598	609750	3656596	3656982	3657043	370585	593606	*
COE 109" W.B.		3656598	609750	3656608	3684840	3657043	370585	593606	3657005
COE 132½" & 158" W.B.		3656598	609750	3656608	3684840	3657043	370585	593606	3657005

## 1942

Pass. exc. Conv.	3659201	609695	3657963	3687978†	3693811	3693812	593606	3658199
Convertible	3659201	609695	3659737	3687994	3693811	3693812	593606	3658199
½ Ton Comm.	3656598	609750	3656596	3656764	3657043	370585	593606	3656791
¾ Ton Comm.	3656598	609750	3656596	3657135	3657043	370585	593606	3656925
1 Ton exc. Panel 134½" W.B.	3656598	609750	3656596	3684840	3657043	370585	593606	3657005
1-1½ Ton Panel 134½" W.B.	3656598	609750	3656596	3656962	3657043	370585	593606	3656925
1½ Ton exc. Panel 134½" & 160" W.B.	3656598	609750	3656596	3684840	3657043	370585	593606	3657005
School Bus Chassis 160" W.B.	3656598	609750	3656596	3656982	3657043	370585	593606	3656900
School Bus Chassis 195" W.B.	3656598	609750	3656596	3656982	3657043	370585	593606	*
COE 109" W.B.	3656598	609750	3656608	3684840	3657043	370585	593606	3657005
COE 132½" & 158" W.B.	3656598	609750	3656608	3684840	3657043	370585	593606	3657005

## 1946

Pass. exc. Conv.	3659201	609695	3657963	3687978†	3693811	3693812	593606	3681293
Convertible	3659201	609695	3659737	3687994	3693811	3693812	593606	3681293
½ Ton Comm.	3656598	609750	3656596	3656764	3657043	370585	593606	3656791
¾ Ton Comm.	3656598	609750	3656596	3657135	3657043	370585	593606	3656925
1 Ton exc. Panel 134½" W.B.	3656598	609750	3656596	3684840	3657043	370585	593606	3657005
1-1½ Ton Panel 134½" W.B.	3656598	609750	3656596	3656962	3657043	370585	593606	3656925

\*Use 3656925—Rear

† For Aluminized Tail Pipe Use 3688908

3683468—4th & 5th Cross Member

3656900—6th Cross Member

## MAJOR EXHAUST SYSTEM PARTS—Continued

1946 (Con't)	Group→	Muffler	Muffler Alumi- nized	Exhaust Pipe	Tail Pipe	Exhaust Pipe to Muffler Clamp	Muffler to Tail Pipe Clamp	Exhaust Pipe Packing	Tail Pipe Bracket with Clamp
		3.701	3.701	3.609	3.705	3.709	3.708	3.611	3.706
1½ Ton exc. Panel 134½" & 160" W.B.		3656598	609750	3656596	3684840	3657043	370585	593606	3657005
2 Ton Truck		3656598	609750	3656596	3684840	3657043	370585	593606	3657005
2 Ton Truck w/2 Spd. Axle		3656598	609750	3656596	3692278	3657043	370585	593606	3657005
School Bus Chassis 160" W.B.		3656598	609750	3656596	3656982	3657043	370585	593606	3656900
School Bus Chassis 195" W.B.		3656598	609750	3656596	3656982	3657043	370585	593606	*
COE 109" W.B.		3656598	609750	3656608	3684840	3657043	370585	593606	3657005
COE 132½" & 158" W.B.		3656598	609750	3656608	3684840	3657043	370585	593606	3657005
COE w/2 Spd. Axle		3656598	609750	3682918	3692278	3657043	370585	593606	3657005

### 1947

Pass. exc. Conv.	3659201	609695	3657963	3687978†	3693811	3693812	593606	3685789
Convertible	3659201	609695	3659737	3687994	3693811	3693812	593606	3685789
½ Ton Comm.	3656598	609750	3684108	3683656	3657043	370585	593606	3656791
¾ Ton Comm.	3656598	609750	3684108	3657135	3657043	370585	593606	3656925
1 Ton exc. Panel	3656598	609750	3684108	3684840	3657043	370585	593606	3657005
1 Ton Panel	3656598	609750	3684108	3656962	3657043	370585	593606	3656925
1½ Ton Truck	3656598	609750	3684108	3684840	3657043	370585	593606	3657005
2 Ton Truck	3656598	609750	3684108	3684840	3657043	370585	593606	
2 Ton Truck w/2 Spd. Axle	3656598	609750	3685035	3692278	3657043	370585	593606	
School Bus Chassis 161" W.B.	3656598	609750	3684108	3684293	3657043	370585	593606	**
School Bus Chassis 199" W.B.	3656598	609750	3684108	3683464	3657043	370585	593606	*
COE	3656598	609750	3685035	3684840	3657043	370585	593606	
COE w/2 Spd. Axle	3656598	609750	3685035	3692278	3657043	370585	593606	none used

### 1948

Pass. exc. Conv.	3659201	609695	3657963	3687978†	3693811	3693812	593606	3658199
Convertible	3659201	609695	3659737	3687994	3693811	3693812	593606	3658199
½ Ton Comm.	3656598	609750	3684108	3683656	3657043	370585	593606	3656791
¾ Ton Comm.	3656598	609750	3684108	3657135	3657043	370585	593606	3656925
¾ Ton Dubl-Duti	3656598	609750	3687496	3687617	3657043	370585	593606	3656925
1 Ton exc. Panel	3656598	609750	3684108	3684840	3657043	370585	593606	3657005
1 Ton Panel	3656598	609750	3684108	3656962	3657043	370585	593606	3656925
1 Ton Dubl-Duti	3656598	609750	3687496	3689136	3657043	370585	593606	3689126
1½ Ton Truck 137" W.B.	3656598	609750	3684108	3684840	3657043	370585	593606	3657005
1½ Ton Truck 161" W.B.	3656598	609750	3684108	3684840	3657043	370585	593606	
2 Ton Truck	3656598	609750	3684108	3684840	3657043	370585	593606	
School Bus Chassis 161" W.B.	3656598	609750	3684108	3684293	3657043	370585	593606	**

\*Use 3656925—Rear  
3683468—4th & 5th Cross Member  
3656900—5th Cross Member

\*\*Use 3684224—Rear  
3683468—4th and 5th Cross Member  
3684226—Ahead of 5th Cross Member

†For Aluminized Tail Pipe Use 3688908

## MAJOR EXHAUST SYSTEM PARTS—Continued

1948 (Con't)	Group→	Muffler	Muffler Alumi-nized	Exhaust Pipe	Tail Pipe	Exhaust Pipe to Muffler Clamp	Muffler to Tail Pipe Clamp	Exhaust Pipe Packing	Tail Pipe Bracket with Clamp
		3.701	3.701	3.609	3.705	3.708	3.704	3.611	3.706
School Bus Chassis 199" W.B.		3656598	609750	3684108	3683464	3657043	370585	593606	*
COE		3656598	609750	3685035	3684840	3657043	370585	593606	
COE w/2 Spd. Axle		3656598	609750	3685035	3692278	3657043	370585	593606	none used

### 1949

Pass. exc. Conv.	3698040	3698038	3690587	3697600†	3693811	3693812	3692831	3690052
Convertible	3698039	—	3690589	3697601	3693811	3693812	3692831	3690052
½ Ton Comm.	3656598	609750	3691277	3683656	3657043	370585	593606	3656791
¾ Ton Comm.	3656598	609750	3691277	3657135	3657043	370585	593606	3656925
¾ Ton Dubl-Duti	3656598	609750	3687496	3687617	3657043	370585	593606	3656925
1 Ton exc. Panel	3656598	609750	3691277	3684840	3657043	370585	593606	3657005
1 Ton Panel	3656598	609750	3691277	3656962	3657043	370585	593606	3656925
1 Ton Dubl-Duti	3656598	609750	3687496	3689136	3657043	370585	593606	3689126
1½ Ton Truck 137" W.B.	3656598	609750	3691277	3692278	3657043	370585	593606	none used
1½ Ton Truck 161" W.B.	3656598	609750	3691277	3692278	3657043	370585	593606	none used
2 Ton Truck	3656598	609750	3691277	3692278	3657043	370585	593606	none used
School Bus Chassis 161" W.B.	3656598	609750	3691277	3684293	3657043	370585	593606	**
School Bus Chassis 199" W.B.	3656598	609750	3691277	3683464	3657043	370585	593606	*
COE	3656598	609750	3685035	3692278*	3657043	370585	593606	none used

### 1950

Pass. exc. Conv. P.G.	3698040	3698038	3690587	3697600†	3693811	3693812	3692831	3690052
Conv. exc. P.G.	3698039	—	3690589	3697601	3693811	3693812	3692831	3690052
Pass. w/P.G. exc. Conv.	3698041	—	3693548	3697602	3694837	3695000	3692831	3693035
Conv. w/P.G.	3698042	—	3693598	3697601	3694837	3693812	3692831	3690052
½ Ton Comm.	3693710	—	3693712	3696806	3693550	3689542	3692831	3689581
¾ Ton Comm.	3693710	—	3693712	3696161	3693550	3689542	3692831	3689585
¾ Ton Dubl-Duti	3693710	—	3693714	3692824	3693550	3689542	3692831	3689585
1 Ton exc. Panel	3693710	—	3693712	3689573	3693550	3689542	3692831	3689583
1 Ton Panel	3693710	—	3693712	3689574	3693550	3689542	3692831	***
1 Ton Dubl-Duti	3693710	—	3693714	3692825	3693550	3689542	3692831	§
1½ Ton Truck 137" W.B.	3693710	—	3693712	3692828	3693550	3689542	3692831	none used
1½ Ton Truck 161" W.B.	3693710	—	3693712	3692828	3693550	3689542	3692831	none used
2 Ton Truck	3693710	—	3693715	3692828	3693550	3689542	3692831	none used
School Bus Chassis 161" W.B.	3693710	—	3693712	3689575	3693550	3689542	3692831	§
School Bus Chassis 199" W.B.	3693710	—	3693715	3689579	3693550	3689542	3692831	3689585
COE	3693710	—	3693714	3692828	3693550	3689542	3692831	none used

\*Use 3656925—Rear  
3683468—4th and 5th Cross Member  
3656900—6th Cross Member

\*\*Use 3684224—Rear  
3683468—4th and 5th Cross Member  
3684226—Ahead of 5th Cross Member

\*\*\*Use 3689581 Front  
3689585 Rear

†For Aluminized Tail Pipe Use 3698043

§Available only on special request

\*Short Tail Pipe—For Long Tail Pipe Use 3684840

## MAJOR EXHAUST SYSTEM PARTS—Continued

	Muffler	Muffler Alumi-nized	Exhaust Pipe	Tail Pipe	Exhaust Pipe to Muffler Clamp	Muffler to Tail Pipe Clamp	Exhaust Pipe Packing	Tail Pipe Bracket with Clamp	
<b>1951</b>	<b>Group→</b>	<b>3.701</b>	<b>3.701</b>	<b>3.609</b>	<b>3.705</b>	<b>3.708</b>	<b>3.708</b>	<b>3.611</b>	<b>3.706</b>
Pass. exc. Conv., P.G.	3698040	3698038	3700499	3697600†	3693811	3693812	593606	3696881	
Convertible exc. P.G.	3698039	—	3697054	3697601	3693811	3697073	593606	3696881	
Pass. w/P.G. exc. Conv.	3698041	—	3700501	3697602	3694837	3695000	3696990	3696885	
Conv. w/P.G.	3698042	—	3697058	3697601	3694837	3697073	3696990	3696881	
½ Ton Comm. Sgl. Unit	3693710	—	3693712	3696806	3693550	3689542	3692831	3689581	
½ Ton Comm. exc. Sgl. Unit	3693710	—	3693712	3696178	3693550	3689542	3692831	3696179	
¾ Ton Comm.	3693710	—	3693712	3696161	3693550	3689542	3692831	3696162	
¾ Ton Dubl-Duti	3693710	—	3693714	3692824	3693550	3689542	3692831	3689585	
1 Ton exc. Panel	3693710	—	3693712	3689573	3693550	3689542	3692831	3689583	
1 Ton Panel	3693710	—	3693712	3689574	3693550	3689542	3692831	***	
1 Ton Dubl-Duti	3693710	—	3693714	3692825	3693550	3689542	3692831	§	
1½ Ton Truck	3693710	—	3693712	3692828	3693550	3689542	3692831	none used	
2 Ton Truck	3693710	—	3693715	3692828	3693550	3689542	3692831	none used	
School Bus Chassis 161" W.B.	3693710	—	3693712	3689575	3693550	3689542	3692831	§	
School Bus Chassis 199" W.B.	3693710	—	3693715	3689579	3693550	3689542	3692831	3689585	
COE	3693710	—	3693714	3692828	3693550	3689542	3692831	none used	

### 1952

Pass. exc. Conv., P.G.	3698040	3698038	3700499	3697600†	3693811	3693812	593606	3696881
Convertible exc. P.G.	3698039	—	3697054	3697601	3693811	3697073	593606	3696881
Pass. w/P.G. exc. Conv.	3698041	—	3700501	3697602	3694837	3695000	3696990	3696885
Conv. w/P.G.	3698042	—	3697058	3697601	3694837	3697073	3696990	3696881
Station Wagon (exc. P.G.)	3698040	3698038	3700499	3701130	3693811	3693812	593606	3696881
Station Wagon w/P.G.	3698041	—	3700501	3701131	3694837	3695000	3696990	3696885
½ Ton Comm. Sgl. Unit	3693710	—	3693712	3696806	3693550	3689542	3692831	3689581
½ Ton Comm. exc. Sgl. Unit	3693710	—	3693712	3696178	3693550	3689542	3692831	3696179
¾ Ton Comm.	3693710	—	3693712	3696161	3693550	3689542	3692831	3696162
¾ Ton Dubl-Duti	3693710	—	3693714	3692824	3693550	3689542	3692831	3689585
1 Ton exc. Panel	3693710	—	3693712	3689573	3693550	3689542	3692831	3689583
1 Ton Panel	3693710	—	3693712	3689574	3693550	3689542	3692831	***
1 Ton Dubl-Duti	3693710	—	3693714	3692825	3693550	3689542	3692831	§
1½ Ton Truck	3693710	—	3693712	3692828	3693550	3689542	3692831	none used
2 Ton Truck	3693710	—	3693715	3692828	3693550	3689542	3692831	none used
School Bus Chassis 161" W.B.	3693710	—	3693712	3689575	3693550	3689542	3692831	§
School Bus Chassis 199" W.B.	3693710	—	3693715	3689579	3693550	3689542	3692831	3689585
COE	3693710	—	3693714	3692828	3693550	3689542	3692831	none used

\*\*\*Use 3689581 Front  
3689585 Rear

†3698043 Aluminized Tail Pipe  
§Available only on Special Request



## MAJOR EXHAUST SYSTEM PARTS—Continued

	Muffler	Muffler Aluminized	Exhaust Pipe	Tail Pipe	Exhaust Pipe to Muffler Clamp	Muffler to Tail Pipe Clamp	Exhaust Pipe Packing	Tail Pipe Bracket with Clamp
<b>1953</b>	<b>3.701</b>	<b>3.701</b>	<b>3.609</b>	<b>3.705</b>	<b>3.708</b>	<b>3.708</b>	<b>3.811</b>	<b>3.706</b>
Pass. exc. Conv., Sta. Wag., Sdl.	3698041	3698713	3701055	3697963*	3694837	3695990	3696990	3697973
Convertible	3698714	—	3697058	3697976	3694837	3703167	3696990	3697973
Sdl.	3698041	3698713	3704564	3697963*	3694837	3695000	3696990	3697973
Pass. exc. Conv., Sta. Wag.	3698041	3698713	3701055	3697963*	3694837	3695000	3696990	3697973
Station Wagon	3698041	3698713	3701055	3701620	3694837	3695000	3696990	3697973
½ Ton Comm. Sgl. Unit	3693710	—	3693712	3696806	3693550	3689542	3692831	3689581
½ Ton Comm. exc. Sgl. Unit	3693710	—	3693712	3696178	3693550	3689542	3692831	3696179
¾ Ton Comm.	3693710	—	3693712	3696161	3693550	3689542	3692831	3696162
¾ Ton Dubl-Duti	3693710	—	3693714	3692824	3693550	3689542	3692831	3689585
1 Ton exc. Panel	3693710	—	3693712	3689573	3693550	3689542	3692831	3689583
1 Ton Panel	3693710	—	3693712	3689574	3693550	3689542	3692831	3689585
1 Ton Dubl-Duti	3693710	—	3693714	3692825	3693550	3689542	3692831	§
1½ Ton Truck	3693710	—	3693712	3692828	3693550	3689542	3692831	none used
2 Ton Truck	3693710	—	3693715	3692828	3693550	3689542	3692831	none used
School Bus Chassis 161" W.B.	3693710	—	3693712	3689575	3693550	3689542	3692831	§
School Bus Chassis 199" W.B.	3693710	—	3693715	3689579	3693550	3689542	3692831	3689585
School Bus Chassis 212" W.B.	3693710	—	3693715	3701287	3693550	3689542	3692831	3689585
COE	3693710	—	3693714	3692828	3693550	3689542	3692831	none used

### 1954

Pass. exc. Conv., Sta. Wag.	3704989	3704991	3704995	3704898	3694837	3710288	3696990	3697973
Convertible	3698714	—	3697058	3697976	3694837	3703167	3696990	3697973
Pass. exc. Conv., Sta. Wag.	3704989	3704991	3704995	3704998**	3694837	3710288	3696990	3697973
Station Wagon	3704989	3704991	3704995	3704999	3694837	3710288	3696990	3697973
½ Ton Comm. Sgl. Unit	3693710	—	3693715	3705360	3693550	3689542	3692831	3689581
½ Ton Comm. exc. Sgl. Unit	3693710	—	3693715	3705359	3693550	3689542	3692831	3696179
¾ Ton Comm.	3693710	—	3693715	3696161	3693550	3689542	3692831	3696162
¾ Ton Dubl-Duti	3693710	—	3693714	3692824	3693550	3689542	3692831	3689585
1 Ton exc. Panel	3693710	—	3693715	3689573	3693550	3689542	3692831	3689583
1 Ton Panel	3693710	—	3693715	3707164	3693550	3689542	3692831	3689585
1 Ton Dubl-Duti	3693710	—	3693714	3692825	3693550	3689542	3692831	§
1½ Ton Truck	3693710	—	3693715	3692828	3693550	3689542	3692831	none used
2 Ton Truck	3693710	—	3693715	3692828	3693550	3689542	3692831	none used
School Bus Chassis 161" W.B.	3693710	—	3693715	3705873	3693550	3689542	3692831	§
School Bus Chassis 199" W.B.	3693710	—	3693715	3705867	3693550	3689542	3692831	3689585
School Bus Chassis 212" W.B.	3693710	—	3693715	3705870	3693550	3689542	3692831	3689585
COE	3693710	—	3693714	3692828	3693550	3689542	3692831	none used

\*3698719 Aluminized Tail Pipe

\*\*3704998 Aluminized Tail Pipe

§Available only on Special Request

# TRUCK MODEL AXLE SHAFT USAGE AND INTERCHANGEABILITY CHART

TRUCK MODEL	Part No. and Location	Diff. Splines	Hub Attach.	Shaft O.L. (Inches)	Axle Type	Used with		Replaces Discontinued Axle Shaft	Remarks
						Diff. Spider	Skin Gear		
1941-46 All w/2 Spd. Mech. Shift	3661899 R&L	16	Bolt	38.5	Two Spd.	3651425	3682229		These Axles can also be replaced with Spined Axles 3685191-2, by using Spined Hub 3685195 and Installation Parts Kit 3689081 (See footnote)
	3652293 L 3652294 R	10 10	Bolt Bolt	34.25 40.65	Sgl. Spd. Sgl. Spd.	370429 370429	370445 370445		
1942-47 All H.D. & 2 Ton exc. 2 Spd. w/Mech. Shift	3682461 L 3682462 R	16 16	Bolt Bolt	36.5 40.75	Sgl. Spd. Two Spd.	370429 3682505	3661874 3682526	3661877 3661878	These Axles can also be replaced with Spined Axles (Sgl. Spd. 3702227-8) (2 Spd. 3702228-30) by using Spined Hub 3685195 and Installation Parts Kit 3689081 (See footnote)
	3685191 L 3685192 R	10 10	Spline (20) Spline (20)	34.25 40.65	Sgl. Spd. Sgl. Spd.	370429 370429	370445 370445		
1948-53 All 1½ Ton	3702227 L 3702228 R	16 16	Spline (20) Spline (20)	36.5 41.0	{ Sgl. Spd. Two Spd. { Sgl. Spd. Two Spd.	370429 3682505 370429 3682505	3661874 3682526 3661874 3682526	3685193 3702205 3685194 3702206	See Note on Parts 3652293-4 for additional usage
1948 to late 51 (11-27) All 2 Ton, exc. as shown below	3702230 R	16	Spline (20)	40.0	Two Spd.	3699589	3682526	3702208	Hardened Splines See Note on Part 3682461 for additional usage
1951 (11-28) thru 53 2 Ton	3702219 L	27	Spline (20)	36.5	{ Sgl. Spd. Two Spd.	370429 3682505	3697746 3698942	3697017 3702201	Hardened Splines See Note on Part 3682462 for additional usage
	3702220 R	27	Spline (20)	41.0	Sgl. Spd.	370429	3697746	3697018 3702202	
1951 (11-28) thru 53 2 Spd. only	3702222 R	27	Spline (20)	40.0	{ Two Spd. Two Spd.	3682505 3699589	3698942 3698942	3697018 3702204	Increased capacity
	3702295 L 3702296 R	29 29	Spline (40) Spline (40)	36.75 41.25	All Sgl. Spd.	370429 370429	3702292 3702292		
1954 2 Ton	3702298 R	29	Spline (40)	40.0	Two Spd.	3699589	3703724		Increased capacity

NOTE: Kit 3689081 consists of: 1 Spacer, 1 Cap, 1 Gasket, 1 Seal, 5 Bolts, and 5 Washers.

Rear Axle Assemblies are stamped with the model and date of manufacture code on the right side of the Differential Carrier. The month and day of manufacture are indicated by numerals, i.e. 11-28 appearing after the year and model letters establishes that the Axle Assembly was produced on November 28.

# BEARING CHART

## ARRANGED IN ALPHABETICAL ORDER

\*See parts book listing for distinction between the two bearings specified for 1935 Q models.

Year	Models	Part Number	Bearing Type	Manufacturer's Part Number	Number Per Car
------	--------	-------------	--------------	----------------------------	----------------

### AXLE BEARINGS—REAR

#### AXLE SHAFT BEARINGS—Group 5.298

1930-33	L8, M, N, O	901101	Ball	ND 1101	2
1932	BA, BB	954493	Ball	ND 1208KY1A	2
1934-35	P, Q	954495	Ball	ND S125LY1A	2

#### Inner Race

1933-36	PASS., COMM. (exc. CC, DC, EC, FC)	111122	Roller	Hy IR-1502	2
1937-40	COMM. (exc. KD, KE, KF)	111122	Roller	Hy IR-1502	2
1933-36	CC, DC, EC, FC	111120	Roller	Hy IR-1500	2
1937-41	PASS.	111120	Roller	Hy IR-1500	2
1936	R	144535	Roller	Hy C12051-12051 Z	2
1937-53	UTILITY	144527	Roller	Hy D12051-12051 Z	2
1954	1½ TON	144527	Roller	Hy D12051-12051 Z	2
1946-54	¾, 1 TON	188930	Roller	Hy D11786-11786 Y	2
1954	2 TON	7450320	Roller	Hy B12235 YK	2

#### Outer Race and Roller Assy.

1933-36	PASS., COMM. (exc. CC, DC, EC, FC)	111121	Roller	Hy C-1502	2
1937-39	COMM.	111121	Roller	Hy C-1502	2
1940-54	½ TON	111121	Roller	Hy C-1502	2
1933-36	CC, DC, EC, FC	111119	Roller	Hy C-1500	2
1937-53	PASS.	111119	Roller	Hy C-1500	2
1940-42	COMM. (exc. ½ TON)	178298	Roller	Hy C-1512	2
1936-53	UTILITY	144525	Roller	Hy B11786-11786 Y	2
1954	1½ TON	144525	Roller	Hy B11786-11786 Y	2
1946-54	COMM. (exc. ½ TON)	188932	Roller	Hy KB-11630-Z	2
1954	2 TON	7450323	Roller	Hy KA 11950 Z	2

#### DIFFERENTIAL SIDE—Group 5.536

1930-36	PASS., COMM. (exc. CC, DC, EC, FC)	902100	Ball	ND 0100	2
1937-39	COMM.	902100	Ball	ND 0100	2
1930-36	UTILITY	902101	Ball	ND 0101	2
1933-35	CC, DC, EC	902103	Ball	ND 0103	2
1936-54	PASS. (exc. FA, FD)	†127861	Roller	Hy KA-11360-Z	2
1937-39	UTILITY	954451	Ball	ND 3211-62A	2
1937-53	UTILITY	††148399	Roller	Hy KA-11820-Z	2
1954	2 TON	7450326	Roller	Hy KC 11948 Y	2
1954	1½ TON	148399	Roller	Hy KA-11820-Z	2
1940-42	COMM.	187434	Roller	Hy KA-11445-Z	2
1946-54	½ TON	187434	Roller	Hy KA-11445-Z	2
1946-54	COMM. (exc. ½ TON)	188930	Roller	Hy KD-11786Y	2
1939-46	ALL 2-SPD. (Mech. Shift) (Inner race)	115231	Roller	Timken 3984	2
1939-54	ALL 2-SPD. (Outer race)	135495	Roller	Timken 3920	2
1946-54	ALL 2-SPD. (Vac. Shift) (Inner race and roller)	435973	Roller	Timken 3994	2

†NOTE: 127861 must be installed in sets of two on 1939-40 models.

††NOTE: 148399 must be installed as an assembly and in sets of two on 1937-39 models.

## BEARING CHART—Continued

Year	Models	Part Number	Bearing Type	Manufacturer's Part Number	Number Per Car
------	--------	-------------	--------------	----------------------------	----------------

### AXLE BEARINGS—REAR (Continued)

#### PINION SHAFT—FRONT—Group 5.447

1929	AC	905305	Ball	ND 5305	1
1929-32	UTILITY	954454	Ball	ND 5307TY1A	1
1930-36	PASS., COMM. (exc. CC, DC, EC)	954452	Ball	ND 5206TY1A	1
1937-39	COMM.	954452	Ball	ND 5206TY1A	1
1933-39	UTILITY	954455	Ball	ND 5309TY1A	1
1933-35	CC, DC, EC	954494	Ball	ND 5113TY1A	1
1937-54	PASS.	954780	Ball	ND 5306-T-1352A	1
1940-42	COMM.	954780	Ball	ND 5306-T-1352A	1
1946-54	½ TON	954780	Ball	ND 5306-T-1352A	1
1940-54	UTILITY	954237	Ball	ND H-5310A	1
1946-54	¼, 1 TON (w/Spacer)	442093	Roller	Hy. A30S3962D	1
1939-53	ALL (2-SPD.) (Inner Race w/Roller)	147905	Roller	Tim. 3875	1
1939-40	VB, VD, VH, VN, WA, WB, WE, WF, (2-SPD.) (Inner Race w/Roller)	128257	Roller	Tim. 3877	1
1954	2 SPD. (Inner Race w/Roller)	455271	Roller	Tim. HM 801346	1
1939-53	ALL (2-SPD.) (Outer Race)	128248	Roller	Tim. 3820	1
1954	2 SPD. (Outer Race)	455272	Roller	Tim. HM 801310	1
†NOTE: Spacer w/brg. No. 442093 cannot be used with any other bearings.					

#### PINION SHAFT—REAR—Group 5.484

1929-32	UTILITY	903407	Ball	ND 3407	1
1933-38	ALL (exc. CC, DC, EC, O, P, Q)	901105	Ball	ND 1105	1
1933-39	UTILITY	954417	Ball	ND 1305TY1A	1
1934-36	DC, EC, FC	110320	Roller	Hy C-1504	1
1935-36	EA, EB, ED, FA, FB, FD	125630	Roller	Hy C-1506	1
1937-42	PASS., COMM.	125630	Roller	Hy C-1506	1
1946-54	PASS., ½ TON	125630	Roller	Hy C-1506	1
1939	VB, VD, VH (2nd design)	145443	Roller	Hy UC-1305 TAM	1
1946-54	UTILITY	144553	Roller	Hy UC-1306 TAM	1
1940-54	COMM. (exc. ½ TON)	189436	Roller	Hy UC-5205TM	1
1939-46	ALL 2-SPD. (Mech. Shift) (Inner race w/roller)	115267	Roller	Tim. 455	1
1946-53	ALL 2-SPD. (Vac. Shift) (Inner race w/roller)	189638	Roller	Tim. 49585	1
1954	2 SPD. (Vac. Shift) (Inner Race w/Roller)	454020	Roller	Tim. HM 807046	1
1939-46	ALL 2-SPD. (Mech. Shift) (Outer race)	111335	Roller	Tim. 453X	1
1946-53	ALL 2-SPD. (Vac. Shift) (Outer race)	189637	Roller	Tim. 49520	1
1954	2-SPD. (Vac. Shift) (Outer race)	451981	Roller	Tim. H 807010	1

### CLUTCH THROWOUT BEARING (and Collar Assy.)—Group 0.799

1936-54	ALL	909422	Ball	ND CT-22	1
---------	-----	--------	------	----------	---

### CRANKSHAFT CLUTCH PILOT BEARINGS—Group 0.649

1931-38	ALL (exc. CC, DC)	907109	Ball	ND 7109	1
1939	ALL (Only w/CRANKSHAFT 838345)	907109	Ball	ND 7109	1



## BEARING CHART—Continued

Year	Models	Part Number	Bearing Type	Manufacturer's Part Number	Number Per Car
------	--------	-------------	--------------	----------------------------	----------------

### GENERATOR BEARINGS—Group 2.306

1929-54	ALL	954378	Ball	ND 3203S1446	1
---------	-----	--------	------	--------------	---

### PROPELLER SHAFT BEARING—FRONT—Group 5.436

1929-40	COMM., UTIL. (exc. ½ TON, VE, VF, WD)	903207	Ball	ND 3207	1
1941-42	COMM., UTIL. (exc. AK, BK, YU, MU) (Sgl. Row)	954257	Ball	NDX 88107	1
1946-54	¼, 1 TON (exc. DS, ES) (Sgl. Row)	954257	Ball	NDX 88107	1
1948-54	UTILITY (exc. BP, SP, TP, UP, VP) (Sgl. Row)	954257	Ball	NDX 88107	1
1941-47	AN, BN, DS, ES (Dbl. Row)	905207	Ball	ND 5207	1
1941-47	UTIL. (exc. YU, MU, OH, PP, QP) (Dbl. Row)	905207	Ball	ND 5207	1

### STEERING GEAR MAST JACKET BEARING—Group 6.521

1939-46	COE	262288	Ball	.....	1
1939-48	PASS. (exc. IB)	264887	Ball	.....	1
1941-46	COMM., UTIL. (exc. COE)	264887	Ball	.....	1
1947-54	COMM., UTILITY	270258	Ball	.....	1
1949-54	PASS. (exc. P/S)	270258	Ball	.....	1
1953-54	ALL P/S	8680010	Ball	.....	1

### STEERING GEAR WORM THRUST BEARING—Group 6.530

1929-30	ALL	551414	Ball	.....	2
1931-36	ALL (exc. DA, EA, FA)	259783	Roller	.....	2
1934-36	DA, EA, FA	261866	Roller	.....	2
1937-40	ALL	261866	Roller	.....	2
1941-54	ALL PASS. (exc. P/S)	261866	Roller	.....	2
1941	COMM., UTILITY	179291	Roller	Hy 10790-S	2
1942-46	COMM., UTIL. (exc. COE)	179291	Roller	Hy 10790-S	2
1947-54	COMM., 1½ TON (exc. SBC)	179291	Roller	Hy 10790-S	2
1942-46	COE	178480	Roller	Hy 10983-R	2
1947-54	2 TON, SBC	270266	Roller	Hy 10899-R	2
1953-54	ALL P/S	8663818	Roller	.....	2

### STEERING GEAR WORM THRUST BEARING—Group 6.527

#### Outer Race

1929-30	ALL	551413	Ball	.....	4
1931-40	ALL	259782	Roller	.....	2
1941-54	PASS. (exc. P/S)	259782	Roller	.....	2
1941	COMM., UTILITY	179290	Roller	Hy 10790-Z	1
1942-46	COMM., UTIL. (exc. COE)	179290	Roller	Hy 10790-Z	1
1947-54	COMM., 1½ TON (exc. SBC)	179290	Roller	Hy 10790-Z	1
1942-46	COE	178479	Roller	Hy 10983-Z	1
1947-54	2 TON, SBC	270267	Roller	Hy 10899-Z	1

## BEARING CHART--Continued

Year	Models	Part Number	Bearing Type	Manufacturer's Part Number	Number Per Car
------	--------	-------------	--------------	----------------------------	----------------

### TRANSMISSION BEARINGS

#### COUNTERSHAFT--3-SPEED TRANSMISSION--Group 4.422

1935	EA, ED (w/WM TRANS.) (Front)	127892	Roller	Hy 99026	1
1940-54	ALL 3-Speed (not used w/bushed type counter gear)	435847	Roller	Hy 7450056	50

#### COUNTERSHAFT--4-SPEED TRANSMISSION--Group 4.423

1929-31	ALL (exc. M) (Rear)	178851	Roller	Hy 1306TS	1
1931-47	ALL (exc. LT) (Rear)	121856	Roller	Hy C-1207	1
1931-54	ALL (exc. LT) (Front)	142260	Roller	Hy C-1206	1
1948-54	ALL (Rear)	954164	Ball	ND 43308	1

#### MAIN DRIVE GEAR--1-SPEED TRANSMISSION--Group 4.355

1929-31	PASS.	903207	Ball	ND 3207	1
1932-36	ALL (exc. CC, DC, EC, FC)	590545	Ball	ND 3208	1
1933-36	CC, DC, EC, FC	954111	Ball	ND 47106X1241A	1
1935-36	PASS. (exc. EC, FC) (w/WM TRANS.)	954108	Ball	ND 43208	1
1937-54	ALL	954388	Ball	ND 43207L1250A	1

#### MAIN DRIVE GEAR--4-SPEED TRANSMISSION--Group 4.355

1929-31	LQ, LR, LS, LT	954493	Ball	ND 1208XY1A	1
1931-47	ALL (exc. L)	954373	Ball	ND 3209L	1
1948-54	ALL	954358	Ball	ND 41209L1241A	1

#### MAIN SHAFT PILOT--1-SPEED TRANSMISSION--Group 4.352

1932-36	ALL (exc. CC, DC, EC, FC)	142638	Roller	Hy 93322	1
1933-36	CC, DC, EC, FC	138312	Roller	Hy 99014	1
1935-36	PASS. (exc. EC, FC) (w/WM TRANS.)	127892	Roller	Hy 99026	1
1937-54	ALL	435844	Roller ( $\frac{3}{8}$ " x $\frac{3}{4}$ ")	Hy 7450057(a)	14
1954	COMM. (Hvy. Duty)	7450010	Roller	Hy 7450060 (d)	18

#### MAIN SHAFT PILOT--4-SPEED TRANSMISSION--Group 4.352

1929-31	ALL (exc. M)	127892	Roller	Hy 99026	1
1931-47	ALL (exc. L)	141854	Roller	Hy 93424-C	1
1948-54	ALL	7450010	Roller ( $\frac{7}{16}$ " x $\frac{3}{4}$ ")	Hy 7450060(d)	18

## BEARING CHART—Continued

Year	Models	Part Number	Bearing Type	Manufacturer's Part Number	Number Per Car
------	--------	-------------	--------------	----------------------------	----------------

### TRANSMISSION BEARINGS (Continued)

#### MAIN SHAFT REAR—3-SPEED TRANSMISSION—Group 4.400

1929-31	ALL (exc. M)	903306	Ball	ND 3306	1
1932-36	All (exc. CC, DC, EC, FC)	954387	Ball	ND 7506X1270A	1
1933-34	CC, DC	903205	Ball	ND 3205	1
1950-54	PASS. w/P.G.	903205	Ball	ND 3205	1
1935-36	EC, FC	954140	Ball	ND 42108X1241A	1
1935-36	PASS. (exc. EC, FC) (w/WM TRANS.)	954108	Ball	ND 43208	1
1937-54	ALL	954168	Ball	ND 43308X1290A	1
1954	COMM. (Hvy. Duty)	954390	Ball	ND 3307X1A	1
1954	COMM. (Hvy. Duty)	954127	Ball	ND 43307	1

#### MAIN SHAFT REAR—4-SPEED TRANSMISSION—Group 4.400

1929-31	ALL (exc. M)	903306	Ball	ND 3306	1
1931-47	ALL (exc. LT)	954390	Ball	ND 3307X1A	1
1948-53	ALL	954127	Ball	ND 43307	1

### WHEEL BEARINGS—FRONT

#### BEARING ASSEMBLY, Front Wheel Inner—Group 6.311

1929-31	ALL	*909002	Ball	ND 909002	2
1932-40	PASS., COMM. (exc. CC, DC, EC, FC)	*909002	Ball	ND 909002	2
1933-36	CC, DC, EC, FC	*909022	Ball	ND 909022	2
1935-42	UTIL. (exc. COE and hvy. duty)	*909026	Ball	ND 909026	2
1946-52	COMM. (exc. ½ TON)	*909026	Ball	ND 909026	2
1946-50	OR, OS, PJ, PK, QJ, QK, RJ, RK, SJ, SK, TJ, TK	*909026	Ball	ND 909026	2
1939-42	ALL (w/hvy. duty)	173241	Roller	KA-11410-Z	2
1946-49	2-TON, SBC (1st design)	173241	Roller	KA-11410-Z	2
1941-42	PASS., COMM.	*909052	Ball	ND 909052	2
1946-54	PASS., ½ TON	*909052	Ball	ND 909052	2
1949-50	2-TON, SBC (2nd design)	7450131	Roller	KA-11424-Z	2
1951-53	UTILITY	7450131	Roller	KA-11424-Z	2
1953-54	¾, 1, 1½ TON (exc. SBC)	*909046	Ball	ND 909046	2

\*Consists of cone, cup, and separator.

#### BEARING ASSEMBLY, Front Wheel Outer—Group 6.313

1929-30	ALL	909001	Ball	ND 909001	2
1931-42	PASS., COMM. (exc. CC, DC, EC, FC)	909001	Ball	ND 909001	2
1946-54	PASS., ½ TON	909001	Ball	ND 909001	2
1933-36	CC, DC, EC, FC	909021	Ball	ND 909021	2
1935-42	UTILITY (exc. COE, MT, MY)	*909025	Ball	ND 909025	2
1946-50	¾, 1, 1½ TON (exc. SBC)	909025	Ball	ND 909025	2
1951-52	¾, 1 TON	909025	Ball	ND 909025	2
1939-42	ALL (w/hvy. duty)	173238	Roller	KA-11020-Z	2
1946-49	2-TON, SBC (1st design)	173238	Roller	KA-11020-Z	2
1949-50	2-TON, SBC (2nd design)	7450034	Roller	KA-11035-Z	2
1951-53	UTILITY	7450034	Roller	KA-11035-Z	2
1953-54	¾, 1, 1½ TON (exc. SBC)	*909045	Ball	ND 909045	2

\*Consists of cone, cup, and separator.

## BEARING CHART—Continued

Year	Models	Part Number	Bearing Type	Manufacturer's Part Number	Number Per Car
------	--------	-------------	--------------	----------------------------	----------------

### WHEEL BEARINGS—FRONT (Continued)

#### BALL AND SEPARATOR ASSY.—INNER BEARING—Group 6.318

1929-30	ALL	909702	Ball	ND 909702	2
1931-42	PASS., COMM. (exc. CC, DC, EC, FC)	909702	Ball	ND 909702	2
1946-54	PASS., ½ TON	909702	Ball	ND 909702	2
1933-36	CC, DC, EC, FC	909722	Ball	ND 909722	2
1935-42	UTILITY (exc. COE, MT, MY)	909726	Ball	ND 909726	2
1946-54	¼, 1, 1½ TON (exc. UI, UK, VI, VK, SBC)	909726	Ball	ND 909726	2

#### BALL AND SEPARATOR ASSY.—OUTER BEARING—Group 6.319

1929-30	ALL	909701	Ball	ND 909701	2
1931-42	PASS., COMM. (exc. CC, DC, EC, FC)	909701	Ball	ND 909701	2
1946-54	PASS., ½ TON	909701	Ball	ND 909701	2
1933-36	CC, DC, EC, FC	909721	Ball	ND 909721	2
1935-42	UTILITY (exc. COE, MT, MY)	909725	Ball	ND 909725	2
1946-54	¼, 1, 1½ TON (exc. UI, UK, VI, VK, SBC)	909725	Ball	ND 909725	2

#### INNER BEARING, Inner Race—Group 6.314

1929-30	ALL	909502	Ball	ND 909502	2
1931-40	PASS., COMM. (exc. CC, DC, EC, FC)	909502	Ball	ND 909502	2
1933-36	CC, DC, EC, FC	909522	Ball	ND 909522	2
1935-42	UTIL. (exc. COE, MT, MY)	909526	Ball	ND 909526	2
1946-50	¼, 1, 1½ TON (exc. SBC)	909526	Ball	ND 909526	2
1951-52	¼, 1 TON	909526	Ball	ND 909526	2
1941-42	PASS., COMM.,	909552	Ball	ND 909552	2
1946-54	PASS., ½ TON	909552	Ball	ND 909552	2
1953-54	¼, 1, 1½ TON (exc. SBC)	909546	Ball	ND 909546	2

#### INNER BEARING, Outer Race—Group 6.316

1929-30	ALL	909602	Ball	ND 909602	2
1931-42	PASS., COMM. (exc. CC, DC, EC, FC)	909602	Ball	ND 909602	2
1946-54	PASS., ½ TON	909602	Ball	ND 909602	2
1933-36	CC, DC, EC, FC	909622	Ball	ND 909622	2
1935-42	UTILITY (exc. COE, MT, MY)	909626	Ball	ND 909626	2
1946-54	¼, 1, 1½ TON (exc. UI, UK, VI, VK, SBC)	909626	Ball	ND 909626	2

#### OUTER BEARING, Inner Race—Group 6.315

1929-30	ALL	909501	Ball	ND 909501	2
1931-42	PASS., COMM. (exc. CC, DC, EC, FC)	909501	Ball	ND 909501	2
1946-54	PASS., ½ TON	909501	Ball	ND 909501	2



## BEARING CHART—Continued

Year	Models	Part Number	Bearing Type	Manufacturer's Part Number	Number Per Car
------	--------	-------------	--------------	----------------------------	----------------

### WHEEL BEARINGS—FRONT (Continued)

#### OUTER BEARING, Inner Race—Continued

1933-36	CC, DC, EC, FC	909521	Ball	ND 909521	2
1935-42	UTILITY (exc. COE, MT, MY)	909525	Ball	ND 909525	2
1946-50	¼, 1, 1½ TON (exc. SBC)	909525	Ball	ND 909525	2
1951-52	¼, 1 TON	909525	Ball	ND 909525	2
1953-54	¼, 1, 1½ TON (exc. SBC)	909545	Ball	ND 909545	2

#### OUTER BEARING, Outer Race—Group 6.317

1929-30	ALL	909601	Ball	ND 909601	2
1931-42	PASS., COMM. (exc. CC, DC, EC, FC)	909601	Ball	ND 909601	2
1946-54	PASS., ½ TON	909601	Ball	ND 909601	2
1933-36	CC, DC, EC, FC	909621	Ball	ND 909621	2
1935-42	UTILITY (exc. COE, MT, MY)	909625	Ball	ND 909625	2
1946-54	¼, 1, 1½ TON (exc. UJ, UK, VI, VK, SBC)	909625	Ball	ND 909625	2

### WHEEL HUB BEARING—REAR—GROUP 5.855

#### Inner

1936	R	†144535	Roller	Hy KC-12051-Z	2
1937-53	UTILITY	††144527	Roller	Hy KD-12051-Z	2
	†NOTE: Inner race stamped C12051, outer race 12051-Z.				
	††NOTE: Inner race stamped D-12051, outer race 12051-Z.				

#### Outer

1936-53	UTILITY	†144525	Roller	Hy KB-11786-Y	2
1946-53	¼, 1 TON	188930	Roller	Hy KD-11786-Y	2
	†NOTE: Inner race stamped B-11786, outer race 11786Y.				

## SERVICE BREAKDOWN CHART FOR CONVERTIBLE FOLDING TOP HYDRAULIC MOTOR AND PUMP ASSEMBLIES

The following Hydraulic Motor and Pump Assemblies are used in 1946-54 Convertibles:

The following chart shows the component parts serviced for each assembly. Assembly numbers are stamped on the hydraulic motor name plate.

DESCRIPTION	G R O U P N O	MOTOR AND PUMP ASSEMBLY NOS.							
		1946-48			1949-50		1951-52	1953-54	
			4162686	4564581	4564583	4564932	4603742	4603742	
<b>M O T O R  P A R T S</b>	Motor Assembly	14.481	4170976	4170976	4170976	1108572	1108572	4632640	4632640
	Head Assembly (Holder w/Brush)	14.482	4162232	4162232	4162232				
	Washer (Field Term. Stud, Ins.)	2.059				1861076	1861076	1861076	1861076
	Brush (At Field)	14.482	4162238	4162238	4162238				
	Brush	14.482				1906918	1906918		
	Band Assembly (Motor Head)	2.070				817114	817114		
	Washer (Bottom Thrust)	14.482	4162252	4162252	4162252				
	Washer (Top Thrust)	14.482	4162253	4162253	4162253				
	Switch (Solenoid)	14.483	001463	001463	001463	001463	001463	4594599	4619381
	Mounting	14.486	4149788	4149788	4149788	4149788	4149788		
	Holder (Brush)	2.052				810226	810226	810226	810226
	Lead (Brush Ground)	2.055				813554	813554	813554	813554
<b>P U M P  P A R T S</b>	Pump Assembly	14.481	4162272	4162272	4162272	5453599	5453599	3701147	4632631
	Valve	14.482	4162275	4162275	4162275	4162275	5453526		
	Washer (Valve)	14.482	4162276	4162276	4162276	4162276	5453525		
	Spring (Valve)	14.482	4162285	4162285	4162285	4162285	5453524		
	Plug (Valve)	14.482	4162286	4162286	4162286	4162286			
	Gasket (Valve Plug)	4.651					043234		
	Spring & Plate Unit	14.482	4162295	4162295	4162295	4162295			
<b>R E S E R V O I R  P A R T S</b>	Reservoir	14.486	5453509	5453509	5453509	5453509	5453509	3698104	4632636
	Bail (Reservoir)	14.486	4161897	4161897	4161897	4161897	4161897		
	Gasket (Reservoir)	14.486	4161896	4161896	4161896	4161896	4161896		
	Pin (Drive Gear)	14.482						3698097	3698097
	Seal (Motor Shaft)	14.482						3698098	3698098
	Seal (End Plate)	14.486						3698099	3698099
	Seal (Reservoir Pipe)	14.482						3698110	4632635
	Nut (Retaining)	14.482						3698101	4632639
	Grommet	14.482						3698109	3698109
	Screw	14.482						3698108	3698108

# TRIM MOULDINGS AND ATTACHING PARTS

MOULDING	MODEL USAGE	SCREW	BOLT	NUT	WASHER	LOCKWASHER	CLIP	RETAINER
NOTE: Quantity shown preceding attaching part number indicates number required to attach one moulding.								
<b>Group 8.132—FRONT FENDER MOULDING</b>								
<b>PASSENGER</b>								
3664337-38	1942-48 Fleetline Upper L&R	.....	3-3664252	3-120375	3-120386	3-120380	.....	.....
3664335-36	1942-48 Fleetline Center L&R	.....	3-3664252	3-120375	3-120386	3-120380	.....	.....
3664319-20	1942-48 Fleetline Lower L&R	.....	3-3664252	3-120375	3-120386	3-120380	.....	.....
3693873	1949-50 Del. L&R	.....	.....	6-120361	6-3662988	6-120638	.....	6-3686667
3695287-88	1951 Del. L&R	.....	.....	4-120361	4-3662988	4-120638	.....	.....
3700036	1952 Del. L&R	.....	.....	.....	.....	.....	.....	6-3700044
3698359-60	1953-54 Bel Air, Two Ten R&L	.....	.....	6-120361	6-120217	.....	.....	6-3700044
<b>TRUCK</b>								
3676199	1947-51 Panel, Side L&R	.....	.....	7-120361	7-120392	7-120217	.....	.....
3676203-04	1947-51 Panel, Upper L&R	.....	4-3676209	4-120375	4-120386	4-120380	4-3682036	.....
3676205-06	1947-51 Panel, Center L&R	.....	4-3676209	4-120375	4-120386	4-120380	4-3682036	.....
3676207-08	1947-51 Panel, Lower L&R	.....	4-3676209	4-120375	4-120386	4-120380	4-3682036	.....
<b>FRONT FENDER CAP MOULDING</b>								
3664321-22	1942-48 Fleetline Upper L&R	.....	.....	.....	.....	.....	3-4114412	.....
3664329-30	1942-48 Fleetline Center L&R	.....	.....	.....	.....	.....	3-4114412	.....
3664333-34	1942-48 Fleetline Lower L&R	.....	.....	.....	.....	.....	3-4114412	.....
<b>Group 8.134—REAR FENDER MOULDING</b>								
<b>PASSENGER</b>								
3664279-80	1942-48 Fleetline Upper L&R	.....	2-3667254	2-120375	2-120386	2-120380	3-4114412	.....
3664281-82	1942-48 Fleetline Center L&R	.....	2-3667254	2-120375	2-120386	2-120380	3-4114412	.....
3664283-84	1942-48 Fleetline Lower L&R	.....	2-3667254	2-120375	2-120386	2-120380	3-4114412	.....
<b>TRUCK</b>								
3676201-02	1947 Panel, Upper L&R	.....	5-3676209	5-120375	5-120386	5-120380	5-3682036	.....
3676197-98	1947 Panel, Center L&R	.....	4-3676209	4-120375	4-120386	4-120380	4-3682036	.....
3676195-96	1947 Panel, Lower L&R	.....	4-3676209	4-120375	4-120386	4-120380	4-3682036	.....
3689257-58	1948-51 Panel, Upper L&R	.....	4-3676209	4-120375	4-120386	4-120380	4-3682036	.....
3689259-60	1948-51 Panel, Center L&R	.....	4-3676209	4-120375	4-120386	4-120380	4-3682036	.....
3689261-62	1948-51 Panel, Lower L&R	.....	4-3676209	4-120375	4-120386	4-120380	4-3682036	.....
<b>Group 8.134—BODY SILL MOULDING</b>								
3558589-90	1941 Pass. L&R	.....	3-3658845	3-120375	.....	3-120380	18-3658565	.....
3681635-36	1942-48 Pass. L&R	1-442033	5-3654679	6-120375	.....	6-120380	8-3682053	.....
			1-3682035	.....	.....	.....	6-3682036	.....
3688947-48	1949-52 Pass. L&R	.....	2-3688946	2-120375	.....	2-120380	6-3690097	.....
3698437-38	1953-54 Bel Air, Two Ten R&L	.....	1-3698439	1-124818	1-120386	1-120380	7-3698436	.....
<b>RUNNING BOARD MOULDING</b>								
3653729	1940 Del. Pass. L&R	.....	10-3654638	10-120375	.....	10-120380	.....	.....
<b>Group 10.093—WINDSHIELD REVEAL MOULDING</b>								
<b>UPPER</b>								
No Fasteners Required for Upper Mouldings in this Group								
<b>LOWER</b>								
4562378-79	1949-52 Pass. R&L	1-131963 1-131987	.....	2-120614	2-431535 2-4574232	.....	2-4606149	1-4566788
4560942-43	1949-52 Ser. 1000, Std.—Corner No fasteners required	.....	.....	.....	.....	.....	.....	.....
<b>Group 10.797—FRONT DOOR WINDOW REVEAL MOULDING</b>								
4105724-25	1940 Job 1011 R&L	.....	.....	.....	.....	.....	27-4105730	.....
4105726-27	1940 Job 1019 R&L	.....	.....	.....	.....	.....	27-4105730	.....
4114302-03	1941-47 Job 1011 R&L	.....	.....	.....	.....	.....	26-4114230*	.....

**TRIM MOULDINGS AND ATTACHING PARTS—Continued**

MOULDING	MODEL USAGE	SCREW	BOLT	NUT	WASHER	LOCKWASHER	CLIP	RETAINER
<b>Group 10.761—FRONT DOOR WINDOW REVEAL MOULDING—Cont'd</b>								
4114306-07	1941-47 Job 1019 R&L	.....	.....	.....	.....	.....	20-4114230*	.....
4114304-05	1941-47 Job 1027-27B R&L	.....	.....	.....	.....	.....	24-4114230*	.....
4120837-38	1941-48 Job 1069 R&L	2-169180	.....	.....	.....	.....	.....	.....
4125710-11	1942-48 Job 1007 R&L	2-169180	.....	.....	.....	.....	.....	.....
4162523-24	1948 Job 1011 R&L	.....	.....	.....	.....	.....	23-4114230*	.....
4162525-26	1948 Job 1027 R&L	.....	.....	.....	.....	.....	21-4114230*	.....
4162527-28	1948 Job 1019 R&L	.....	.....	.....	.....	.....	17-4114230*	.....
4560568-69	1949-52 Job 1011 R&L	.....	.....	.....	.....	.....	10-4561940	.....
4560570-71	1949-52 Job 1027 R&L	.....	.....	.....	.....	.....	10-4561940	.....
4560584-85	1949-52 Job 1069 R&L	.....	.....	.....	.....	.....	10-4561940	.....
4560781-82	1949-52 Job 1007 R&L	.....	.....	.....	.....	.....	10-4561940	.....
4560783-84	1949-51 Job 1008 R&L	.....	.....	.....	.....	.....	10-4561940	.....
4606860-61	1953-54 1011WD Header R&L	.....	.....	.....	.....	.....	8-4604329	.....
4607537-38	1953-54 1011WD Upper R&L	2-431601	.....	.....	.....	.....	.....	.....
4608057-58	1953-54 1011WD Lower R&L	4-431601	.....	.....	.....	.....	.....	.....
4595502-03	1953 1011W-27 R&L	.....	.....	.....	.....	.....	1-4608219	.....
4595502-03	1954 1011W-11WA	.....	.....	.....	.....	.....	1-4608220	.....
4603643-44	1953-54 1011WD-69WD Fri R&L	4-431601	.....	.....	.....	.....	.....	.....
4603836-37	1953-54 1069WD Header R&L	.....	.....	.....	.....	.....	7-4604329	.....
4603793-94	1953-54 1069WD Lower R&L	3-431601	.....	.....	.....	.....	.....	.....
4595504-05	1953-54 1069 WR&L	.....	.....	.....	.....	.....	1-4608219	.....
4511196-97	1953-54 1067-67D-1037-37D Lower R&L	5-431601	.....	.....	.....	.....	9-4608220	.....
<b>Group 10.771—REAR DOOR WINDOW REVEAL MOULDING</b>								
4114308-09	1941-47 Job 1019 R&L	.....	.....	.....	.....	.....	17-4114230*	.....
4120853-54	1941-48 Job 1069 R&L	2-169180	.....	.....	.....	.....	.....	.....
4162531-32	1948 Job 1019 Upper R&L	.....	.....	.....	.....	.....	11-4114230*	.....
4162533-34	1948 Job 1019 Lower R&L	.....	.....	.....	.....	.....	11-4114230*	.....
4560682-83	1949-52 Job 1069 R&L	.....	.....	.....	.....	.....	8-4561940	.....
4561185-86	1949-51 Job 1008 R&L	.....	.....	.....	.....	.....	8-4561940	.....
4603760-61	1953-54 1069WD Header R&L	.....	.....	.....	.....	.....	5-4604329	.....
4628184-85	1953-54 1069WD Upper R&L	2-431601	.....	.....	.....	.....	.....	.....
4628186-87	1953-54 1069WD Lower R&L	4-431601	.....	.....	.....	.....	.....	.....
4628182-83	1953-54 1069WD Rear R&L	1-431601	.....	.....	.....	.....	.....	.....
4595506-07	1953-54 1069W R&L	.....	.....	.....	.....	.....	2-4608219	.....
.....	.....	.....	.....	.....	.....	.....	6-4608220	.....
<b>Group 11.831—QUARTER WINDOW REVEAL MOULDING</b>								
4105735	1940 Job 1019 R&L	.....	.....	.....	.....	.....	24-4105730	.....
4114310-11	1941-47 Job 1011 R&L	.....	.....	.....	.....	.....	25-4114230*	.....
4114314-15	1941-47 Job 1018 R&L	.....	.....	.....	.....	.....	14-4114230*	.....
4114312-13	1941-47 Job 1027-27B R&L	.....	.....	.....	.....	.....	15-4114230*	.....
4125712-13	1942-48 Job 1007 R&L	6-169180	.....	.....	.....	.....	.....	.....
4162535-36	1948 Job 1019 R&L	.....	.....	.....	.....	.....	13-4114230*	.....
4162537-38	1948 Job 1011 R&L	.....	.....	.....	.....	.....	23-4114230*	.....
4162539-40	1948 Job 1027 R&L	.....	.....	.....	.....	.....	14-4114230*	.....
4561151-52	1949-52 Job 1011 R&L	6-125591	.....	.....	.....	.....	.....	1-4561837-1 R&L
4561731-32	1949-52 Job 1027 R&L	5-125591	.....	.....	.....	.....	.....	1-4562054-5 R&L
4561910-11	1949-52 Job 1007 R&L	7-125591	.....	.....	.....	.....	.....	1-4562764-5 R&L Upper
.....	.....	.....	.....	.....	.....	.....	.....	1-4562797 Lower
4610955-56	1950-52 Bal Air Upper R&L	2-450991	.....	.....	.....	.....	.....	.....
4617002-03	1953-54 1011WD Upper R&L	2-431601	.....	.....	.....	.....	4-4617702	.....
4617070-71	1953-54 1011WD Lower R&L	2-431601	.....	.....	.....	.....	.....	.....
4617088-89	1953-54 1011WD Rear R&L	3-431601	.....	.....	.....	.....	.....	.....
4616705-06	1953-54 1011WD Front Header R&L	.....	.....	1-121743	1-4587791 1-4587792	.....	4-4617702 1-4562228	.....

\*Note: 4114230 Clip for use when installing moulding on production panel which has elongated holes. When installing moulding on replacement panel where it has been necessary to drill holes for attaching purposes, use 4114324 Clip in place of 4114230.



## TRIM MOULDINGS AND ATTACHING PARTS—Continued

MOULDING	MODEL USAGE	SCREW	BOLT	NUT	WASHER	LOCKWASHER	CLIP	RETAINER
<b>Group 11.431—QUARTER WINDOW REVEAL MOULDING—Cont'd</b>								
4617090-91	1953-54 1011WD Rear Header R&L	1-4591309	.....	.....	.....	.....	1-4617810	.....
4595398-99	1953 1011W Front R&L	4-431601	.....	.....	.....	.....	4-4595404	.....
4595398-99	1954 1011W-11WA Front R&L	4-431601	.....	.....	.....	.....	4-4595404	.....
4595973-74	1953 1011W Rear R&L	1-4591309	.....	.....	.....	.....	1-4615695	.....
4595973-74	1954 1011W-11WA Rear R&L	1-4591309	.....	.....	.....	.....	1-4615695	.....
4596120-21	1953-54 1027 Front R&L	4-431601	.....	.....	.....	.....	4-4595404	.....
4596463-64	1953 1027 Rear R&L	1-4591309	.....	.....	.....	.....	1-4615695	.....
4596463-64	1954 1011WA	1-4591309	.....	.....	.....	.....	1-4615695	.....
4595971-72	1953-54 1069W Rear R&L	1-4591309	.....	1-134530	1-4501964	.....	1-4616850	.....
					1-4595721		1-4615693	
4611961-62	1953-54 1037-37D Lower R&L	1-169180	.....	.....	.....	.....	.....	.....
4611961-62	1954 1037D	1-169180	.....	.....	.....	.....	.....	.....
4611959-60	1953 1037-37D Rear R&L	1-431601	.....	.....	.....	.....	.....	.....
4611959-60	1954 1037D	1-431601	.....	.....	.....	.....	.....	.....
4611963-64	1953 1037-37D Roof R&L	1-431601	.....	.....	.....	.....	.....	.....
4611963-64	1954 1037D	1-431601	.....	.....	.....	.....	.....	.....
<b>Group 11.108—BACK WINDOW GLASS REVEAL MOULDING</b>								
No fasteners required for mouldings in this Group, except as shown below:								
4578936-37	1950-52 Bel Air Upper R&L	.....	.....	.....	.....	.....	6-4571697	.....
4586977-78	1950-52 Bel Air Lower Rear R&L	3-450991	.....	.....	.....	.....	3-4580629	.....
4579092-93	1950-52 Bel Air Lower Front R&L	2-450991	.....	.....	.....	.....	2-4580629	.....
4597325	1953-54 1011W-69W Upper Corner	.....	.....	1-134530	.....	.....	.....	.....
4614326-27	1953-54 1011WD-69WD Side R&L	.....	.....	1-134530	.....	.....	.....	.....
4615906-07	1953-54 1037-37D Upper R&L	.....	.....	.....	.....	.....	1-4616563	.....
							1-4616564	
<b>Group 11.110—COWL BELT MOULDING</b>								
4114418-19	1941 Closed R&L	2-4116816	.....	.....	2-4123465	.....	.....	1-4116287
4596460-61	1953-54 Pass. R&L	.....	.....	.....	7-431535	.....	3-4606150	1-4591069
					7-4629829		3-4606151	
<b>Group 11.112—FRONT DOOR BELT MOULDING</b>								
4102164-65	1940 Job 1011-17-27-67 R&L	.....	.....	.....	.....	.....	11-4089649	.....
4102165-67	1940 Job 1019 R&L	.....	.....	.....	.....	.....	9-4089649	.....
4114582-83	1941 Job 1011 Upper R&L	.....	.....	.....	.....	.....	11-4099225	.....
4114584-85	1941 Job 1019 Upper R&L	.....	.....	.....	.....	.....	14-4099225	.....
4114580-81	1941 Job 1027-27B-67 Upper R&L	.....	.....	.....	.....	.....	11-4099225	.....
4121534-35	1941 Job 1069 Upper R&L	.....	.....	.....	.....	.....	15-4099225	.....
4114422-23	1941 Job 1011-27-27B-67-1211-27-27B-27P Lower R&L	.....	.....	.....	.....	.....	11-4099225	.....
4114420-21	1941 Job 1019-1219-71 Lower, R&L	.....	.....	.....	.....	.....	14-4099225	.....
4121540-41	1941 Job 1069 Lower R&L	.....	.....	.....	.....	.....	15-4099225	.....
4125979-80	1942-47 Job 1007 Upper R&L	.....	.....	.....	.....	.....	11-4119151	.....
4125937-38	1942-47 Job 1011-1211 Upper R&L	.....	.....	.....	.....	.....	11-4119151	.....
4125941-42	1942-47 Job 1019-1219 Upper R&L	.....	.....	.....	.....	.....	14-4119151	.....
4125939-40	1942-47 Job 1027-27B-67, 1947 Job 1227-27B-71 Upper R&L	.....	.....	.....	.....	.....	11-4119151	.....
4125943-44	1942-47 Job 1069 Upper R&L	.....	.....	.....	.....	.....	15-4119151	.....
4125276-77	1942-46 Job 1007 Lower R&L	.....	.....	.....	.....	.....	11-4099225	.....
4125286-87	1942-46 Job 1011-27-27B-67-1211-27-27B-27P Lower R&L	.....	.....	.....	.....	.....	11-4099225	.....
4125288-89	1942-46 Job 1019-1219-71 Lower R&L	.....	.....	.....	.....	.....	14-4099225	.....
4125280-91	1942-46 Job 1069 Lower R&L	.....	.....	.....	.....	.....	15-4099225	.....
4162493-94	1948 Conv. R&L	.....	.....	.....	.....	.....	11-4162580	.....
4162495-96	1948 Job 1011-1211 R&L	.....	.....	.....	.....	.....	11-4162580	.....
4162497-98	1948 Job 1007 R&L	.....	.....	.....	.....	.....	11-4162580	.....
4162499-500	1948 Coupe R&L	.....	.....	.....	.....	.....	11-4162580	.....
4162501-02	1948 Job 1019-1219 R&L	.....	.....	.....	.....	.....	15-4162580	.....
4162503-04	1948 Job 1069 R&L	.....	.....	.....	.....	.....	17-4162580	.....
4561269-90	1949-52 Job 1008-69-1208-69 Upper R&L	.....	.....	.....	.....	.....	8-4562113	.....

## TRIM MOULDINGS AND ATTACHING PARTS—Continued

MOULDING	MODEL USAGE	SCREW	BOLT	NUT	WASHER	LOCKWASHER	CLIP	RETAINER
<b>Group 12.112—FRONT DOOR BELT MOULDING—Cont'd</b>								
4561291-92	1949-52 Job 1007-11-27-1207-11-27-27B Upper R&L	.....	.....	.....	.....	.....	10-4562113	.....
4562413-14	1949-52 Sdl. R&L	.....	.....	.....	.....	.....	8-4562113	.....
4564416-17	1949-52 Job 1062 Upper R&L	.....	.....	3-121743	3-431535	.....	3-4562228	.....
4565181-82	1949-52 Conv., Bel Air Upper R&L	.....	.....	.....	.....	.....	10-4562228	.....
4560098	1949-50 Ser. 1000 Lower, Outer R&L	.....	.....	4-121743	4-431535	.....	3-4562227	.....
					4-4574232			
4587007	1951 Job 1007-11-27-37-67 Lower, Outer R&L	.....	.....	6-121743	6-431535	.....	6-4562228	.....
4587005	1951 Job 1008-62-69 Lower, Outer R&L	.....	.....	5-121743	5-431535	.....	5-4562228	.....
4587007	1952 Job 1007-11-27-37-67 Lower, Outer R&L	10-131954	.....	.....	.....	.....	2-4609428	.....
							8-4609429	.....
4587005	1952 Job 1062-69 Lower, Outer R&L	10-131954	.....	.....	.....	.....	2-4609429	.....
							8-4609429	.....
4596622-23	1953 1011W-27-1211-27-27B R&L	.....	.....	.....	.....	.....	8-4585973	.....
4596622-23	1954 1011W-11WA-27-1211-27-27B R&L	.....	.....	.....	.....	.....	8-4585973	.....
4621336-37	1953-54 1011WD R&L	.....	.....	.....	.....	.....	6-4585973	.....
4613752-53	1953-54 1037-37D-67-67D R&L	.....	.....	.....	.....	.....	6-4585973	.....
4596624-25	1953 1069W-1269 R&L	.....	.....	.....	.....	.....	7-4585973	.....
4596624-25	1954 1069W-1269-69W R&L	.....	.....	.....	.....	.....	7-4585973	.....
4613754-55	1953-54 1069WD R&L	.....	.....	.....	.....	.....	5-4585973	.....
4599093-94	1953-54 1062-62F-1262F R&L	.....	.....	.....	.....	.....	7-4585973	.....
4596626-27	1953-54 1271 R&L	.....	.....	.....	.....	.....	7-4585973	.....
4603085	1953 1062-62F-69 R&L	.....	.....	.....	.....	.....	6-4599135	.....
							2-4607720	.....
4603087	1953 1011W-27-37-67 1011WD-37D-67WD R&L	.....	.....	.....	.....	.....	6-4599135	.....
							2-4607720	.....
<b>Group 12.113—CENTER PILLAR BELT MOULDING</b>								
4114594	1941 Job 1016-69 Upper R&L	.....	1-4115564	1-120361	1-138479	.....	.....	.....
4114426	1941 Job 1019-69-1219 Lower R&L	.....	1-4115564	1-120361	1-138479	.....	.....	.....
4125945	1942-47 Job 1019-69, 1947 Job 1219 Upper R&L	.....	1-4115624	1-120361	1-138479	.....	.....	.....
					1-4131513			
4125296	1942-46 Job 1019-69-1219 Lower R&L	.....	.....	.....	.....	.....	1-4125581	.....
4162492	1948 Job 1019-69-1219 Lower R&L	.....	1-4115564	1-120361	1-138479	.....	.....	.....
					1-4162576			
4162529	1948 Job 1019 Upper and Center R&L	.....	1-4115564	2-120361	2-138479	.....	.....	.....
			1-4554617		1-431824			
4564586	1949-52 Job 1008-69 Upper	.....	1-4601972	1-120361	1-138549	.....	.....	.....
<b>Group 12.114—REAR DOOR BELT MOULDING</b>								
4102168-69	1940 Job 1019 R&L	.....	.....	.....	.....	.....	7-4089649	.....
4114586-87	1941 Job 1019 Upper R&L	.....	.....	.....	.....	.....	15-4114230*	.....
4121536-37	1941 Job 1069 Upper R&L	.....	.....	.....	.....	.....	17-4114230*	.....
4114424-25	1941 Job 1019-1219 Lower R&L	.....	.....	.....	.....	.....	14-4099225	.....
4121562-63	1941 Job 1069 Lower R&L	.....	.....	.....	.....	.....	15-4099225	.....
4125946-47	1942-46 Job 1019, 1947 Job 1219 Upper R&L	.....	.....	.....	.....	.....	15-4119151	.....
4125948-49	1942-47 Job 1069 Upper R&L	.....	.....	.....	.....	.....	17-4119151	.....
4125292-93	1942-46 Job 1019-1219 Lower R&L	.....	.....	.....	.....	.....	14-4099225	.....
4125294-95	1942-46 Job 1069 Lower R&L	.....	.....	.....	.....	.....	15-4099225	.....
4162505-06	1948 Job 1019-1219 R&L	.....	.....	.....	.....	.....	15-4162580	.....
4162507-08	1948 Job 1069 R&L	.....	.....	.....	.....	.....	17-4162580	.....
4561339-40	1949-52 Job 1069-1269 R&L	.....	.....	.....	.....	.....	9-4562113	.....
4561337-38	1949-51 Job 1008-1208 R&L	.....	.....	.....	.....	.....	9-4562113	.....
4607722	1951 Job 1008-62-69 Lower R&L	.....	.....	2-121743	2-431535	.....	2-4562228	.....
4607722	1952 Job 1061-69 Lower R&L	4-131954	.....	.....	.....	.....	4-4609428	.....
4597183-84	1953 1069W-1269 R&L	.....	.....	.....	.....	.....	7-4585973	.....
4597183-84	1954 1069W-1269-69W	.....	.....	.....	.....	.....	7-4585973	.....

\*Note: 4114230 Clip for use when installing moulding on production panel which has elongated holes. When installing moulding on replacement panel where it has been necessary to drill holes for attaching purposes, use 4114324 Clip in place of 4114230.

**TRIM MOULDINGS AND ATTACHING PARTS—Continued**

MOULDING	MODEL USAGE	SCREW	BOLT	NUT	WASHER	LOCKWASHER	CLIP	RETAINER
<b>Group 12.114—REAR DOOR BELT MOULDING—Cont'd</b>								
4628188-89	1953-54 1069WD R&L	.....	.....	.....	.....	.....	4-4585973	.....
4599650-51	1953-54 Sta. Wag. R&L	.....	.....	.....	.....	.....	7-4585973	.....
<b>OUTER PANEL MOULDING</b>								
4603189-90	1953 Sta. Wag. R&L	.....	.....	3-121743	3-4563821	.....	1-4607720	.....
4603189-90	1954 1062-62D-62F-69 R&L	.....	.....	3-121743	3-4563821	.....	1-4603354 1-4607720 1-4574742	.....
4627363-4	1953 1069WD R&L	.....	.....	4-121743	4-4563821	.....	1-4574742	.....
4627363-4	1954 1062D-62WD R&L	.....	.....	4-121743	4-4563821	.....	1-4574742	.....
<b>FENDER CROWN MOULDING</b>								
4561382-83	1949-50 4-Dr. Closed, 1949-52 Sta. Wag. R&L	7-450991	.....	3-121743	3-4587792	.....	3-4570408	1-4569537
4561492-93	1949-50 4-Dr. Closed, 1949-52 Sta. Wag. R&L	2-145417	.....	.....	.....	.....	.....	.....
<b>Group 12.116—REAR QUARTER BELT MOULDING</b>								
4102177-78	1940 Job 1017-27-67 R&L	.....	1-431516	1-121743	1-120386 1-3685793	1-4574232 1-120392	6-4089649	.....
4102177-78	1940 Job 1011 R&L	.....	1-431516	1-121743	1-120386 1-3685793	1-4574232 1-120392	6-4089649	.....
4102177-78	1940 Job 1019 R&L	.....	1-431516	1-121743	1-120386 1-3685793	1-4574232 1-120392	6-4089649	.....
4114592-93	1941 Job 1011 Upper R&L	7-4116816	3-4121557 1-431516	1-121743	1-3685793	2-120391	.....	1-4116276
4114590-91	1941 Job 1019 Upper R&L	4-4116816	3-4121557 1-431516	1-121743	1-3685793	2-120391	.....	1-4116276
4114588-89	1941 Job 1027-27B-67 Upper R&L	6-4116816	3-4121557 1-431516	1-121743	1-3685793	2-120391	.....	1-4116276
4121538-39	1941 Job 1069 Upper R&L	4-4116816	3-4121557 1-431516	1-121743	1-3685793	2-120391	.....	1-4116276
4114429-30	1941 Job 1011-1211 Lower R&L	7-4116816	1-431516	1-121743	1-3685793	.....	.....	1-4116287-88 R&L
4114427-28	1941 Job 1019-1219 Lower R&L	4-4116816	1-431516	1-121743	1-3685793	.....	.....	1-4116287-88 R&L
4114431-32	1941 Cpa., Conv. Lower R&L	6-4116816	1-431516	1-121743	1-3685793	.....	.....	1-4116287-88 R&L
4121543	1941 Job 1069 Lower R	3-4116816	1-431516	1-121743	1-3685793	.....	.....	1-4116287-88 R&L
4114440	1941 Sdl. R&L	9-4116816	1-431516	1-121743	1-3685793	.....	.....	1-4116287-88 R&L
4125621-22	1942-47 Conv. Upper R&L	6-450991	3-431516	3-121743	3-431535	3-4574232	.....	1-4125725-26 R&L
4125883-84	1942-47 Job 1007 Upper R&L	6-450991	1-431516	1-121743	1-431535	1-4574232	.....	1-4125725-26 R&L
4125950-51	1942-47 Job 1011, 1947 Job 1211 Upper R&L	6-450991	3-431516	3-121743	3-431535	3-4574232	.....	1-4125725-26 R&L
4125954-55	1942-47 Job 1019, 1947 Job 1219 Upper R&L	4-450991	3-431516	3-121743	3-431535	3-4574232	.....	1-4125725-26 R&L
4125952-53	1942-47 Job 1027-27B, 1947 Job 1227-27B Upper R&L	4-450991	3-431516	3-121743	3-431535	3-4574232	.....	1-4125725-26 R&L
4125956-57	1942-47 Job 1069 Upper R&L	3-450991	3-431516	3-121743	3-431535	3-4574232	.....	1-4125725-26 R&L
4125278-79	1942-46 Job 1007 Lower R&L	6-4116816	1-431516	1-121743	1-431535	1-4574232	.....	1-4116287-88 R&L
4125297-98	1942-46 Job 1011-1211 Lower R&L	7-4116816	1-431516	1-121743	1-431535	1-4574232	.....	1-4116287-88 R&L
4125299-300	1942-46 Job 1019-1219 Lower R&L	4-4116816	1-431516	1-121743	1-431535	1-4574232	.....	1-4116287-88 R&L
4125305-06	1942-46 Cpa., Conv. Lower R&L	6-4116816	1-431516	1-121743	1-431535	1-4574232	.....	1-4116287-88 R&L
4125301-02	1942-46 Job 1069 Lower R&L	3-4116816	1-431516	1-121743	1-431535	1-4574232	.....	1-4116287-88 R&L
4125303-04	1942-46 Sdl. Lower R&L	9-4116816	1-431516	1-121743	1-431535	1-4574232	.....	1-4116287-88 R&L
4152515-16	1948 Coupe R&L	4-450991	3-431516	3-121743	3-431535 3-4574232	3-458467 4-458355	.....	1-4162571
4162521-22	1948 Job 1007 R&L	7-450991	1-431516	1-121743	1-431535	3-458467	.....	1-4162563-64 R&L
4162509-10	1948 Job 1011-1211 R&L	6-450991	3-431516	3-121743	3-431535 3-4574232	3-458467 6-458355	.....	1-4162561-62 R&L

## TRIM MOULDINGS AND ATTACHING PARTS—Continued

MOULDING	MODEL, USAGE	SCREW	BOLT	NUT	WASHER	LOCKWASHER	CLIP	RETAINER
<b>Group 12.110—REAR QUARTER BELT MOULDING—Cont'd</b>								
4162511-12	1948 Job 1019-1219 R&L	4-450991	3-431516	3-121743	3-431535 3-4574232	3-4558467 1-4162576	.....	1-4162571
4162513-14	1948 Job 1069 R&L	3-450991	3-431516	3-121743	3-431535 3-4574232	3-4558467 1-4162576	.....	1-4162561-62 R&L
4561872-73	1949-52 Job 1069-1269 R&L	.....	7-431516	7-121743	7-431535 7-4574232	7-4594999 7-4569392*	.....	.....
4561955-56	1949-52 Coupe R&L	5-125591	5-431516	5-121743	5-431535 5-4574232	5-4594999 5-4569392*	.....	1-4562320-21 R&L
4562043-44	1949-52 Job 1011-1211 R&L	7-125591	5-431516	5-121743	5-431535 5-4574232	5-4594999 5-4569392*	.....	1-4562320-21 R&L
4563260-61	1949-52 Job 1007-1207 R&L	8-125591	2-431516	2-121743	2-431535 3-4574232	1-4594999 1-4567985	.....	1-4562958
4563212-13	1949-52 Sdl. R&L	10-125591	3-431516	3-121743	3-431535 3-4574232	3-4594999 3-4569392*	.....	1-4563047-48 R&L
4562911-12	1949-51 Job 1008-1208 R&L	.....	2-431516	2-121743	2-431535 2-4574232	1-4594999 1-4595000	.....	2-4576240
4579792-93	1949-52 Conv. R&L	5-4116816	1-4574444 4-4574443	5-445944	5-4583876	.....	.....	1-4563875-76 R&L
4579792-93	1950-51 Bel Air R&L	1-450991 4-4116816	.....	6-121743	6-431535 6-4574232	.....	5-4580065 1-4580172 1-4581511	1-4579970-71 R&L
4597197-98	1953 Job 1011-1211 R&L	.....	5-4594999	.....	6-4587791 6-4587792	.....	1-4594999 1-4633831	.....
4597197-8	1954 1011-1211-11W-11WB R&L	.....	5-4594999	.....	6-4587791 6-4587792	.....	1-4594999 1-4633831	.....
4596789-90	1953 Job 1027-1227-27B R&L	.....	5-4594999	.....	6-4587791 6-4587792	.....	1-4594999	.....
4597201-02	1953 Job 1069-1269 R&L	.....	6-4594999	.....	7-4587791 7-4587792	.....	1-4594999 1-4633831	.....
4597201-02	1954 1069-1269-69W R&L	.....	6-4594999	.....	7-4587791 7-4587792	.....	1-4594999 1-4633831	.....
4599593-94	1953-54 Job 1067-67D R&L	.....	.....	.....	.....	.....	.....	.....
4600270-71	1953-54 Job 1037-37D R&L	.....	5-4594999	.....	.....	.....	1-4594999	.....
4600536-37	1953-54 Job 1062-62F-1262F R&L	.....	6-4594999	1-121743	1-4587791 1-4587792	.....	8-4591050	.....
4600856-57	1953-54 Job 1271 R&L	.....	5-4594999	3-121743	3-4580961 3-4587792	.....	13-4584999	.....
<b>FENDER CROWN MOULDING</b>								
4561542-43	1949-50 Closed (exc. 4-Dr.), 1951-52 Sdl. Rear R&L	1-145417 7-450991	.....	.....	.....	.....	2-4570408	1-4561883-84 R&L
4561544-45	1949-50 4-Dr. Closed, 1949-52 Sta. Wag. R&L	1-145417 7-450991	.....	.....	.....	.....	5-4570408	1-4561883-84 R&L
4568119-20	1949-50 Closed (exc. 4-Door) 1951-52 Sdl. Front R&L	1-145417	.....	3-121743	3-431535 3-4574232	.....	2-4570408	1-4568466
3695257	1951 Ser. 1000 (exc. Sta. Wag.) R&L	.....	.....	4-120361	4-3690735	4-3699210	.....	.....
<b>FENDER SIDE MOULDING</b>								
4614937	1952 1007-11-27	.....	.....	.....	.....	.....	.....	1-4562227 4-4562228
4610265	1952 1069	.....	.....	.....	.....	.....	.....	1-4576240 4-4562228 1-4562227
4603300-01	1953 1011WD-37D-67WD Upper Front R&L	.....	.....	4-121743	4-4563821 4-4563822	.....	3-4603676 4-4574742	.....
4603300-01	1954 1011WD-37D-67D Upper Front R&L	.....	.....	4-121743	4-4563821 4-4563822	.....	3-4603676 4-4574742	.....
4603302-03	1953 1011WD-37D-67WD Lower Front R&L	.....	.....	7-121743	7-4563821 7-4563822	.....	.....	.....
4603302-03	1954 1011WD-37D-67D Lwr. Front R&L	.....	.....	7-121743	7-4563821 7-4563822	.....	.....	.....
4603304-05	1953 1069WD Upper Front R&L	1-4591309	.....	2-121743	2-4563821 2-4563822	.....	3-4603676 1-4616754 2-4562228	.....

\*Note: 4569392 required for 1949 Models only.



**TRIM MOULDINGS AND ATTACHING PARTS--Continued**

MOULDING	MODEL USAGE	SCREW	BOLT	NUT	WASHER	LOCKWASHER	CLIP	RETAINER
<b>Group 12.116--REAR QUARTER BELT MOULDING--Cont'd</b>								
4603304-05	1954 10690-69WD Upper Front R&L	1-4591309	.....	2-121743	2-4563821 2-4563822	.....	3-4603676 2-4562228	.....
4603607-08	1953-54 1069WD Lower Front R&L	.....	.....	.....	4-4563821 4-4563822	.....	.....	.....
4606007	1953-54 Bel Air Series	.....	.....	3-121743	3-4563821 3-4563822	.....	2-4562228	.....
4603308-06	1953 1011W-27-37-67 R&L	.....	.....	4-121743	4-4563821 4-4563822	.....	4-4574742	.....
4603308-09	1954 1011W-11WA-27-37-67 R&L	.....	.....	4-121743	4-4563821 4-4563822	.....	4-4574742	.....
4603306-07	1953-54 1069W R&L	1-4591309	.....	.....	.....	.....	3-4603676 2-4562228	.....
4603306-07	1953 1062-62F R&L	.....	2-4565200	1-121743	1-4563821 1-4563822	.....	3-4603676 2-4605557	.....
4603306-07	1954 1062-62D-62F R&L	.....	2-4565200	1-121743	1-4563821 1-4563822	.....	3-4603676 2-4605557	.....
4603568-69	1953 1011W-27-37-67 Lower R&L	.....	.....	2-121743	2-4563821 2-4563822	.....	2-4605557	.....
4603568-69	1954 1011W-11WA-27-37-62D-62F-67-69W Lower R&L	.....	.....	2-121743	2-4563821 2-4563822	.....	2-4605557	.....
<b>Group 12.120--BACK DOOR BELT MOULDING</b>								
4562261	1949-52 Sdl.	.....	.....	.....	.....	.....	9-4562113	.....
4631552	1953-54 Sdl.	.....	.....	.....	.....	.....	9-4591050	.....
<b>Group 12.121--REAR END BELT MOULDING</b>								
4114595	1941 Job 1027-27B-67	.....	.....	.....	.....	.....	.....	1-4116276
4125284	1942-47 Job 1027-27B-67	.....	6-433516	6-121743	6-4574232 6-4131513	6-431535	.....	1-4125725
4162519	1948 Coupe	13-450991	.....	.....	.....	.....	.....	1-4162572
4162520	1948 Conv.	6-450991	.....	.....	.....	.....	.....	6-4162573
4600074	1953-54 Sta. Wag.	.....	.....	.....	.....	.....	7-4591050	.....
<b>Group 12.163--REAR COMPARTMENT LID MOULDING</b>								
4129242	1941-48 Job 1007-69	.....	.....	6-177941	6-4129244	.....	.....	.....
4129243	1941-48 Job 1007-69	.....	.....	6-177941	6-4129244	.....	.....	.....
3664044	1942-48 Closed (exc. 1007-69)	.....	.....	5-177941	5-4129244 5-4129245	.....	.....	.....
3685099	1947-48 Job 1007-69	.....	.....	2-3695282	2-3692988 2-120386	.....	.....	.....
3688052	1949 Closed	.....	.....	4-3695282	4-3692988 4-3690735	.....	.....	.....
3694841	1950 Series 1000 w/P. G.	.....	.....	2-120361	2-3662988 2-120392	.....	.....	.....
3694842	1950 Series 1000 w/P. G.	.....	.....	2-120361	2-120392 2-3662988	.....	.....	.....
3693353-54	1950 Closed (exc. P.G.) L&R	.....	.....	.....	.....	.....	.....	1-3693355
3697660	1953-54 Sta. Wag.	.....	.....	.....	.....	.....	3-3697750	.....
<b>Group 12.146--REAR COMPARTMENT LID EMBLEM</b>								
3699037	1951 Job 1007-8 w/P.G.	.....	.....	4-120361	4-3662988	4-120392	.....	.....
3699036	1951 Job 1011-27-37-67-69 w/P.G.	.....	.....	4-120361	4-3662988	4-120392	.....	.....
3695335	1951 Styleline (exc. P.G.)	.....	.....	4-120361	4-3662988	4-120392	.....	.....
3695664	1951 Fleetline (exc. P.G.)	.....	.....	4-120361	4-3662988	4-120392	.....	.....
3699723	1952 Job 1007 w/P.G.	.....	.....	4-120361	4-3662988	4-120392	.....	.....
3699721	1952 Styleline w/P.G.	.....	.....	4-120361	4-3662988	4-120392	.....	.....
3699708	1952 Job 1007 (exc. P.G.)	.....	.....	4-120361	4-3662988	4-120392	.....	.....
3699617	1952 Styleline (exc. P.G.)	.....	.....	4-120361	4-3662988	4-120392	.....	.....
3702732	1953 Pass. w/P.G.	.....	4-120217 4-3662988	4-120361	.....	.....	.....	.....
3702729	1953 Pass. (exc. P.G.)	.....	4-120217 4-3662988	4-120361	.....	.....	.....	.....

# 1949-52 PAINT COMBINATION CHART

An Index of Paint Combination Numbers as shown on Body Name Plates, Identifying the Corresponding DuPont Numbers of Particular Colors Included Therein.

Comb. No.	Year	BODY		STRIPING		WHEELS	
		Color	DuPont No.	Color	DuPont No.	Color	DuPont No.
385	1949	Mayland Black	2532122	Argent Silver	2894202	Black	505
386	1949	Oxford Maroon	20739638	Argent Silver	2894202	Oxford Maroon	512
387	1949	Monaco Blue	20739277	Argent Silver	2894202	Monaco Blue	553
388	1949	Grecian Grey	2537869	Mayland Black	2532122	Grecian Grey	551
389	1949	Vista Grey	20736307	Argent Silver	2894202	Vista Grey	550
390	1949	Liveoak Green	20736777	Argent Silver	2894202	Liveoak Green	538
391	1949	Satin Green	25339814	French White	28953561	Satin Green	543
392	1949	Ice Green	28755255	Argent Silver	2894202	Ice Green	554
395	1949	Texas Ivory	25352626	Mayland Black	2532122	Texas Ivory	552
423	1950	Mayland Black	2532122	Argent Silver	2894202	Black	505
424	1950	Oxford Maroon	20739638	Argent Silver	2894202	Oxford Maroon	512
425	1950	Grecian Grey	2537869	Mayland Black	2532122	Grecian Grey	551
426	1950	Crystal Green	2875255	Argent Silver	2894202	Crystal Green	554
427	1950	Falcon Grey	28155501	Argent Silver	2894202	Falcon Grey	563
428	1950	Windsor Blue	28655498	French White	28953561	Windsor Blue	564
429	1950	Mist Green	25355504	Mayland Black	2532122	Mist Green	565
430	1950	Rodeo Beige	28155505	French White	28953561	Rodeo Beige	566
431	1950	Moonlite Cream	25339829	Mayland Black	2532122	Moonlite Cream	562
437	1950	Grecian Grey	2537869	Argent Silver	2894202	Empire Red	567
442	1951	Mayland Black	2532122	Argent Silver	2894202	Black	505
443	1951	Burgundy Red	28285638	Argent Silver	2894202	Burgundy Red	580
444	1951	Thistle Grey	25370397	Mayland Black	2532122	Thistle Grey	579
445	1951	Fathom Green	28655658	Argent Silver	2894202	Fathom Green	577
446	1951	Shadow Grey	28655659	Argent Silver	2894202	Shadow Grey	578
447	1951	Trophy Blue	28155656	Argent Silver	2894202	Trophy Blue	575
448	1951	Aspen Green	28155657	Mayland Black	2532122	Aspen Green	576
449	1951	Aztec Tan	25355647	French White	28953561	Aztec Tan	574
450	1951	Moonlight Cream	25339829	Mayland Black	2532122	Moonlight Cream	562
465	1952	Onyx Black	2532247	Argent Silver	2894202	Black	505
466	1952	Birch Grey	25355987	Onyx Black	2532247	Birch Grey	600
467	1952	Dusk Grey	28655988	Argent Silver	2894202	Dusk Grey	608
469	1952	Spring Green	25355989	Onyx Black	2532247	Spring Green	602
470	1952	Emerald Green	28655976	Argent Silver	2894202	Emerald Green	601
472	1952	Admiral Blue	28655991	Argent Silver	2894202	Admiral Blue	609
477	1952	Twilight Blue	25355992	Onyx Black	2532247	Twilight Blue	604
478	1952	Sahara Beige	25355979	Onyx Black	2532247	Sahara Beige	603
479	1952	Regal Maroon	20755986	Argent Silver	2894202	Regal Maroon	599
481	1952	Cherry	25355994	Argent Silver	2894202	Cherry	606
482	1952	Honeydew	25355993	Onyx Black	2532247	Honeydew	605
483	1952	Saddle Brown	28655978	Argent Silver	2894202	Saddle Brown	607

## 1953 PAINT COMBINATION CHART

Comb. No.	MODEL USAGE	BODY		WHEEL COLOR		WHEEL STRIPING	
		Color	Dist. No.	Color	Dist. No.	Color	Dist. No.
480	1011W-27-37-67-69W, 1211-27-27B-69-71	Onyx Black	2532247	Black	505	Argent Silver	2894202
480	Bel Air	Onyx Black	2532247	Driftwood Grey	623	None	
490	1011W-27-67-69W, 1211-27-27B-69-71	Driftwood Grey	25357335	Driftwood Grey	623	Onyx Black	2532247
490	1011WD-67D-69WD	Driftwood Grey	25357335	Driftwood Grey	623	None	
496	1011W-27-69W, 1211-27-27B-69-71	Dusk Grey	28655988	Dusk Grey	608	Argent Silver	2894202
496	1011WD-69WD	Dusk Grey	28655988	Driftwood Grey	623	None	
498	1200, 1000 (exc. Bel Air)	Surf Green	25357332	Surf Green	620	Onyx Black	2532247
498	Bel Air	Surf Green	25357332	Campus Cream	624	None	
499	1011W-27-62-62F-69W, 1200 Series	Woodland Green	28657333	Woodland Green	621	Argent Silver	2894202
499	1011WD-69WD	Woodland Green	28657333	Campus Cream	624	None	
501	1011W-27-69W, 1211-27-27B-69-71	Regatta Blue	28657497	Regatta Blue	639	Argent Silver	2894202
501	1011WD-69WD	Regatta Blue	28657497	Driftwood Grey	623	None	
503	1011W-27-37-67-69W, 1211-27-27B-69	Horizon Blue	25357331	Horizon Blue	619	Onyx Black	2532247
503	Bel Air	Horizon Blue	25357331	Driftwood Grey	623	None	
504	1011W-27-62-62F-69W, 1200 Series	Sahara Beige	25355979	Sahara Beige	603	Onyx Black	2532247
504	1011WD-69WD	Sahara Beige	25355979	Sahara Beige	603	None	
505	1011W-27-69W, 1211-27-27B-69-71	Madeira Maroon	28157334	Madeira Maroon	622	Argent Silver	2894202
505	1011WD-69WD	Madeira Maroon	28157334	Sahara Beige	603	None	
506	1067	Target Red	25357344	Target Red	626	Argent Silver	2894202
506	1067D	Target Red	25357344	Driftwood Grey	623	None	
507	1067	Campus Cream	25357211	Campus Cream	624	Onyx Black	2532247
507	1067D	Campus Cream	25357211	Campus Cream	624	None	
508	1067D	Sungold	25357336	Driftwood Grey	623	None	
509	1000 (exc. Bel Air), 1211-27-27B-62F-69	Saddle Brown	28655978	Saddle Brown	607	Argent Silver	2894202
509	Bel Air	Saddle Brown	28655978	Sahara Beige	603	None	

## 1954 PAINT COMBINATION CHART

540	1011W-11WA-69W-1211-69W-71	Onyx Black	2532247	Onyx Black	505	Argent Silver	2894202
540	1011WD-37D-67D-69WD	Onyx Black	2532247	Onyx Black	505	None	
541	1011W-11WA-69W-1211-69W-71	Surf Green	25357332	Surf Green	620	Onyx Black	2532247
541	1011WD-69WD	Surf Green	25357332	Surf Green	620	None	
542	1011W-11WA-62F-69W, 1211-69W-71	Bermuda Green	28157601	Bermuda Green	645	Argent Silver	2894202
542	Bel Air	Bermuda Green	28157601	Bermuda Green	645	None	
543	1011W-11WA-69W-1211-69W-71	Horizon Blue	25357331	Horizon Blue	619	Onyx Black	2532247
543	1011WD-37D-67D-69WD	Horizon Blue	25357331	Horizon Blue	619	None	
544	1011W-11WA-69W-1211-69W-71	Biscayne Blue	28157600	Biscayne Blue	646	Argent Silver	2894202
544	1011WD-69WD	Biscayne Blue	28157600	Biscayne Blue	646	None	
545	1011W-62F-69W-1211-62F-69W	Shoreline Beige	25357602	Shoreline Beige	647	Onyx Black	2532247
545	1011WD-62D-69WD	Shoreline Beige	25357602	Shoreline Beige	647	None	
546	1011W-62F-69W-1211-69W	Saddle Brown	28655978	Saddle Brown	607	Argent Silver	2894202
546	1011WD-37D-67D-69WD	Saddle Brown	28655978	Saddle Brown	607	None	
547	1011W-11WA-69W-1211-69W-71	India Ivory	25357337	India Ivory	628	Onyx Black	2532247
547	1011WD-37D-67D-69WD	India Ivory	25357337	India Ivory	628	None	
548	1011W-69W-1211-69W-71	Shadow Gray	28657631	Shadow Gray	654	Argent Silver	2894202
548	1011WD-69WD	Shadow Gray	28657631	Shadow Gray	654	None	
549	1011W-69W-1211-62F-69W	Morocco Red	25357750	Morocco Red	658	Argent Silver	2894202
549	1011WD-69WD	Morocco Red	25357750	Morocco Red	658	None	
550	SDL.	Romany Red	25354741	Romany Red	506	Argent Silver	2894202
550	Conv.	Romany Red	25354741	Romany Red	506	None	
551	Conv.	Fiesta Cream	25357604	Fiesta Cream	650	None	
552	Conv.	Turquoise	25357605	Turquoise	651	None	
553	Conv.	Pueblo Tan	25357606	Pueblo Tan	652	None	

**TWO-TONE COLOR COMBINATIONS**

Comb. No.	Year	BODY LOWER PANEL		BODY UPPER PANEL		STRIPING		WHEELS	
		Color	Data No.	Color	Data No.	Color	Data No.	Color	Data No.
393	1949	Satin Green	25339814	Liveoak Green	20736777	Argent Silver	2894202	Liveoak Green	538
394	1949	Greitan Grey	2537869	Vista Grey	20736307	Argent Silver	2894202	Vista Grey	550
396	1949	Liveoak Green	20736777	(Sta. Wag.)		Argent Silver	2894202	Liveoak Green	538
397	1949	Oxford Maroon	20739638	(Sta. Wag.)		Argent Silver	2894202	Oxford Maroon	512
432	1950	Greitan Grey	2537869	Falcon Grey	28155501	Mayland Black	2532122	Greitan Grey	551
433	1950	Mist Green	25355504	Crystal Green	28785285	Mayland Black	2532122	Mist Green	565
434	1950	Mist Green	25355504	Mayland Black	2832133	Mayland Black	2532122	Mist Green	565
435	1950	Windsor Blue	28665498	Greitan Grey	2537869	French White	28953561	Windsor Blue	564
436	1950	Moonlite Cream	25339829	Falcon Grey	28155501	Mayland Black	2532122	Moonlite Cream	562
438	1950	Greitan Grey	2537869	Empire Red	25339696	Argent Silver	2894202	Empire Red	567
439	1950	Oxford Maroon	20739638	(Sta. Wag.)		Argent Silver	2894202	Oxford Maroon	512
440	1950	Rodeo Beige	28155505	(Sta. Wag.)		French White	28953561	Rodeo Beige	566
441	1950	Crystal Green	28756295	(Sta. Wag.)		Argent Silver	2894202	Crystal Green	554
451	1951	Thistle Grey	2837869	Shadow Grey	28655659	Mayland Black	2532122	Thistle Grey	579
452	1951	Aspen Green	28155657	Fathom Green	28655658	Mayland Black	2532122	Aspen Green	576
453	1951	Moonlight Cream	25339829	Mayland Black	2532122	Mayland Black	2532122	Moonlight Cream	562
454	1951	Trophy Blue	28155656	Thistle Grey	25370397	Argent Silver	2894202	Trophy Blue	575
455	1951	Shadow Grey	28655659	Thistle Grey	25370397	Argent Silver	2894202	Shadow Grey	578
456	1951	Fathom Green	28655658	Aspen Green	28155657	Argent Silver	2894202	Fathom Green	577
457	1951	Astec Tan	25355647	(Sta. Wag.)		French White	28953561	Astec Tan	574
458	1951	Fathom Green	28655658	(Sta. Wag.)		Argent Silver	2894202	Fathom Green	577
468	1952	Birch Grey	25355987	Dusk Grey	28655988	Onyx Black	2532247	Birch Grey	600
471	1952	Spring Green	25355989	Emerald Green	28655976	Onyx Black	2532247	Spring Green	602
473	1952	Twilight Blue	25355992	Admiral Blue	28655991	Onyx Black	2532247	Twilight Blue	604
474	1952	Emerald Green	28655976	Spring Green	25355989	Argent Silver	2894202	Emerald Green	601
484	1952	Twilight Blue	25355992	Birch Grey	25355987	Onyx Black	2532247	Twilight Blue	604
485	1952	Spring Green	25355989	Birch Grey	25355987	Onyx Black	2532247	Spring Green	602
486	1952	Saddle Brown	28655978	Sahara Beige	25355979	Argent Silver	2894202	Saddle Brown	607
487	1952	Regal Maroon	20755986	Sahara Beige	25355979	Argent Silver	2894202	Regal Maroon	599
488	1952	Sahara Beige	25355979	Saddle Brown	28655978	Onyx Black	2532247	Sahara Beige	603
489	1952	Birch Grey	25355987	Onyx Black	2532247	Onyx Black	2532247	Birch Grey	600
491	1952	Regal Maroon	20755986	Onyx Black	2532247	Argent Silver	2894202	Regal Maroon	599
492	1952	Bittersweet	25355995	Beach White	25357044	Bittersweet	25355995	Beach White	611
493	1952	Honeydew	25355993	Onyx Black	2532247	Onyx Black	2532247	Honeydew	605
494	1952	Admiral Blue	28655991	Birch Grey	25355987	Argent Silver	2894202	Admiral Blue	609



## 1953 TWO TONE COLOR COMBINATIONS

Comb. No.	MODEL USAGE	UPPER BODY		LOWER BODY		WHEEL COLOR		WHEEL STRIPING	
		Color	Deeo No.	Color	Deeo No.	Color	Deeo No.	Color	Deeo No.
497	1211-27-27B-69, 1027	Dusk Grey	28655988	Driftwood Grey	25357335	Driftwood Grey	623	Onyx Black	2532247
500	1011W-27-37-62-62F-69W, 1211-27-27B-62F-69	W'dland Green	28657333	Surf Green	25357332	Surf Green	620	Onyx Black	2532247
500	1011WD-37D-69WD	W'dland Green	28657333	Surf Green	25357332	Campus Cream	624	None	
502	1211-27-27B-69, 1027	Regatta Blue	28657497	Horizon Blue	25357331	Horizon Blue	619	Onyx Black	2532247
510	1011W-37-69W	India Ivory	25357337	Horizon Blue	25357331	Horizon Blue	619	Onyx Black	2532247
510	1011WD-37D-69WD	India Ivory	25357337	Horizon Blue	25357331	Driftwood Grey	623	None	
511	1011W-37-69W	India Ivory	25357337	Regatta Blue	28657497	Regatta Blue	639	Argent Silver	2894202
511	1011WD-37D-69WD	India Ivory	25357337	Regatta Blue	28657497	Driftwood Grey	623	None	
512	1011W-37-69W	Campus Cream	25357211	W'dland Green	28657333	W'dland Green	621	Argent Silver	2894202
512	1011WD-37D-69WD	Campus Cream	25357211	W'dland Green	28657333	Campus Cream	624	None	
513	1011W-37-69W	W'dland Green	28657333	Campus Cream	25357211	Campus Cream	624	Onyx Black	2532247
513	1011WD-37D-69WD	W'dland Green	28657333	Campus Cream	25357211	Campus Cream	624	None	
514	1011W-27-37-62-62F-69W, 1211-27-27B-62F-69	Saddle Brown	28655978	Sahara Beige	25355979	Sahara Beige	603	Onyx Black	2532247
514	1011WD-37D-69WD	Saddle Brown	28655978	Sahara Beige	25355979	Sahara Beige	603	None	
515	1011W-37-69W	Sahara Beige	25355979	Saddle Brown	28655978	Saddle Brown	607	Argent Silver	2894202
515	1011WD-37D-69WD	Sahara Beige	25355979	Saddle Brown	28655978	Sahara Beige	603	None	
516	1011WD-37D-69WD	India Ivory	25357337	Sungold	25357336	Driftwood Grey	623	None	
517	1011W-69W	Target Red	25357344	India Ivory	25357337	Target Red	626	Argent Silver	2894202
517	1011WD-69WD	Target Red	25357344	India Ivory	25357337	Driftwood Grey	623	None	

## 1954 TWO TONE COLOR COMBINATIONS

554	1011W-62F-69-W 1211-69W	Shoreline Beige	25357602	Bermuda Green	28157601	Bermuda Green	645	Argent Silver	2894202
554	Bel Air	Shoreline Beige	25357602	Bermuda Green	28157601	Bermuda Green	645	None	
555	1011W-11WA-69W	India Ivory	25357337	Surf Green	25357332	Surf Green	620	Onyx Black	2532247
555	1011WD-69WD	India Ivory	25357337	Surf Green	25357332	Surf Green	620	None	
556	1011W-11WA-62F-69W	India Ivory	25357337	Horizon Blue	25357331	Horizon Blue	619	Onyx Black	2532247
556	Bel Air	India Ivory	25357337	Horizon Blue	25357331	Horizon Blue	619	None	
557	1011W-11WA-69W- 1211-69W	India Ivory	25357337	Biscayne Blue	28157600	Biscayne Blue	646	Argent Silver	2894202
557	1011WD-37D-69WD	India Ivory	25357337	Biscayne Blue	28157600	Biscayne Blue	646	None	
558	1011W-69W-1211-69W	Bermuda Green	28157601	Shoreline Beige	25357602	Shoreline Beige	647	Onyx Black	2532247
558	1011WD-37D-69WD	Bermuda Green	28157601	Shoreline Beige	25357602	Shoreline Beige	647	None	
559	1011W-62F-69W	Shoreline Beige	25357602	Saddle Brown	28655978	Saddle Brown	607	Argent Silver	2894202
559	1062D	Shoreline Beige	25357602	Saddle Brown	28655978	Saddle Brown	607	None	
560	1011W-11WA-69W- 1211-69W	India Ivory	25357337	Onyx Black	2532247	Onyx Black	505	Argent Silver	2894202
560	1011WD-37D-69WD	India Ivory	25357337	Onyx Black	2532247	Onyx Black	505	None	
561	1011WA	India Ivory	25357337	Romany Red	25354741	Romany Red	506	Argent Silver	2894202
561	1037D	India Ivory	25357337	Romany Red	25354741	Romany Red	506	None	
562	1011WA	Bermuda Green	28157601	Fiesta Cream	25357604	Fiesta Cream	650	Onyx Black	2532247
562	1011WD-37D-69WD	Bermuda Green	28157601	Fiesta Cream	25357604	Fiesta Cream	650	None	
563	1011WD-37D-69WD	India Ivory	25357337	Turquoise	25357605	Turquoise	651	None	
564	1011WD-37D-69WD	Shoreline Beige	25357602	Pueblo Tan	25357606	Pueblo Tan	652	None	
565	1262F	Morocco Red	25357750	Shoreline Beige	25357602	Shoreline Beige	647	Onyx Black	2532247
566	1262F	Shoreline Beige	25357602	Morocco Red	25357750	Morocco Red	658	Argent Silver	2894202

## TRIM COMBINATION CHART

NOTE: If trim is not listed under group in which it is used, refer to yardage material group 15.500.

Comb. No.	Material	1941 Models	Comb. No.	Material	1950 Models
115	Tan Pile Fabric	1200 (exc. 1227B-27P-71)	170	Grey Striped Cloth	1200 (exc. Sdl.)
116	Tan Striped Pile Fabric	1000	171	Grey Striped Broadcloth	1000 (exc. Conv., B-A)
117	Tan Striped Cloth	1000	172	Imitation Leather	1269 (Taxi Cab)
118	Tan Pile Fabric	1227B-27P	175	Red Leather—Grey Pile Cord	Conv.
119	Tan Pile Fabric	1227B-27P	176	Green Leather—Grey Pile Cord	Conv.
120	Tan Leather	Conv.	177	Blue Leather—Grey Pile Cord	Conv.
121	Green Leather	Conv.	179	Black Leather—Grey Pile Cord	Conv.
122	Blue Leather	Conv.	185	Red Leather—Grey Pile Cord	Bel Air
123	Red Leather	Conv.	186	Green Leather—Grey Pile Cord	Bel Air
124	Blue-Grey Imitation Leather	Sdl.	187	Blue Leather—Grey Pile Cord	Bel Air
126	Tan and Brown Striped Cloth	1069	189	Black Leather—Grey Pile Cord	Bel Air
127	Blue Cloth	1011-19-27	195	Red Leather—Tan Bedford Cord	Conv.
128	Green Cloth	1011-19-27	196	Green Leather—Tan Bedford Cord	Conv.
<b>1942-48</b>			197	Blue Leather—Tan Bedford Cord	Conv.
129	Greyish Tan Pile Fabric	1200 (exc. Sdl.)	199	Black Leather—Tan Bedford Cord	Conv.
130	Grey Striped Pile Fabric	1011-19-27-27B	163	Brown Imitation Leather	Sdl.
131	Tan Novelty Bedford Cord	1011-19-27-27B	166	Brown Imitation Leather	Sta. Wag.
132	Tan Striped Fabric	1007-69	<b>1951</b>		
133	Tan Leather	Conv.	200	Grey Striped Cloth	1200 (exc. Sdl.)
134	Grey Leather	Conv.	201	Grey Striped Broadcloth	1000 (exc. Conv. B-A, Sta. Wag.)
135	Blue Leather	Conv.	205	Red Leather	Conv.
136	Red Leather	Conv.	206	Green Leather	Conv.
137	Blue-Grey Imitation Leather	Sdl.	207	Blue Leather	Conv.
141	Grey Striped Pile Fabric	1007	209	Black Leather	Conv.
<b>1946</b>			185	Red Leather—Grey Pile Cord	Bel Air
142	Grey Striped Pile Fabric	1019	186	Green Leather—Grey Pile Cord	Bel Air
149	Tan Imitation Leather	Sta. Wag.	187	Blue Leather—Grey Pile Cord	Bel Air
<b>1947</b>			189	Black Leather—Grey Pile Cord	Bel Air
129	Greyish Tan Pile Fabric	1200 (exc. Sdl.)	163	Brown Imitation Leather	Sdl.
130	Grey Striped Pile Fabric	1011-19-27-27B	202	Tan Imitation Leather	Sta. Wag.
131	Tan Novelty Bedford Cord	1011-19-27-27B	172	Grey Imitation Leather	Taxi Cab
132	Tan Striped Fabric	1007-69	<b>1952</b>		
137	Blue-Grey Imitation Leather	Sdl.	210	Light Grey Pattern Cloth	1200 (exc. Sdl.)
143	Tan Leather	Conv.	211	Light Grey Chevron Cloth	1000 (exc. Conv., B-A, Sta. Wag.)
144	Blue Leather	Conv.	212	Light Blue Chevron Cloth	1000 (exc. Conv., B-A, Sta. Wag.)
145	Red Leather	Conv.	213	Light Green Chevron Cloth	1000 (exc. Conv., B-A, Sta. Wag.)
146	Tan Leather	Conv.	224	Tan and Brown Leather	Conv.
147	Blue Leather	Conv.	226	Red Leather	Conv.
148	Red Leather	Conv.	226	Light and Dark Green Leather	Conv.
149	Tan Imitation Leather	Sta. Wag.	227	Light and Dark Blue Leather	Conv.
<b>1948</b>			229	Black Leather	Conv.
137	Blue-Black Imitation Leather	Sdl.	234	Tan Leather—Brown Cloth	Bel Air
144	Blue Leather	Conv.	235	Red Leather—Grey Cloth	Bel Air
145	Red Leather	Conv.	236	Green Leather—Green Cloth	Bel Air
149	Tan Imitation Leather	Sta. Wag.	237	Blue Leather—Blue Cloth	Bel Air
150	Gray Striped Pile Fabric	1211-19-27-27B	239	Black Leather—Grey Cloth	Bel Air
151	Tan Striped Pile Fabric	1011-19-27	240	White Leather—Coral Cloth	Bel Air
152	Tan Novelty Bedford Cord	1011-19-27-1211-19-27-27B	216	Dark Grey Imitation Leather	Sdl.
153	Tan Striped Fabric	1007-69	218	Tan Imitation Leather	Sta. Wag.
155	Green Leather	Conv.	214	Grey Imitation Leather	Taxi Cab
<b>1949</b>					
156	Tan Striped Pile Fabric	1200 (exc. Sdl.)			
157	Tan Striped Pile Fabric	1007-8-11-27-69			
158	Tan Striped Cloth	1007-8-11-27-69			
160	Red Leather	Conv.			
161	Blue Leather	Conv.			
162	Green Leather	Conv.			
163	Brown Imitation Leather	Sdl.			
166	Brown Imitation Leather	Sta. Wag.			
167	Black Leather	Conv.			

### TRIM COMBINATION CHART—Continued

NOTE: If trim is not listed under group in which it is used, refer to yardage material group 15.500.

1953			1954		
Comb. No.	Material	Models	Comb. No.	Material	Models
241	Light Grey—Dark Grey Pattern Cloth	1000 (exc. Conv., Sta. Wag.)	300	Light Grey Pattern Cloth	1200 (exc. Sta. Wag., Sdl.)
242	Light Blue—Dark Blue Pattern Cloth	1000 (exc. Conv., Sta. Wag.)	332	Light Blue—White Imitation Leather	1011 WA
243	Light Green—Dark Green Pattern Cloth	1000 (exc. Conv., Sta. Wag.)	333	Light Green—White Imitation Leather	1011 WA
244	Light Tan—Brown Pattern Cloth	1000 (exc. Conv., Sta. Wag.)	334	Black—White Imitation Leather	1011 WA
249	Light Grey Pattern Cloth	1200 (exc. Sta. Wag., Sdl.)	304	Light Grey Pattern—Dark Grey Plain Cloth	1011 W-69 W
245	Light Grey Ladder Pattern & Plain Cloth	1011 WD, 1069 WD	305	Light Blue Pattern—Dark Blue Plain Cloth	1011 W-69 W
246	Light Blue Ladder Pattern & Plain Cloth	1011 WD, 1069 WD	306	Light Green Pattern—Dark Green Plain Cloth	1011 W-69 W
247	Light Green Ladder Pattern & Plain Cloth	1011 WD, 1069 WD	307	Light Tan Pattern—Dark Brown Plain Cloth	1011 W-69 W
248	Light Tan Ladder Pattern & Plain Cloth	1011 WD, 1069 WD	309	Dark Grey Pattern Cloth—Light Grey Imitation Leather	1011 WD-69 WD
254	Light Tan Pattern Cloth Tan Imitation Leather	1037 D	310	Dark Blue Pattern Cloth—Light Blue Imitation Leather	1011 WD-69 WD
256	Light Green Pattern Cloth Light Green Imitation Leather	1037 D	311	Dark Green Pattern Cloth—Light Green Imitation Leather	1011 WD-69 WD
257	Light Blue Pattern Cloth Light Blue Imitation Leather	1037 D	330	Beige Pattern Cloth—Dark Tan Imitation Leather	1011 WD-69 WD
258	Yellow & White Pattern Cloth White Imitation Leather	1037 D	331	Turquoise Pattern Cloth—White Imitation Leather	1011 WD-69 WD
259	Black & White Pattern Cloth White Imitation Leather	1037 D	325	Red—White Imitation Leather	Conv.
264	Brown—Tan Imitation Leather	1067	326	Dark Green—Light Green Imitation Leather	Conv.
265	Red Imitation Leather	1067	327	Dark Blue—Light Blue Imitation Leather	Conv.
266	Dark Green—Light Green Imitation Leather	1067	328	Beige—Tan Imitation Leather	Conv.
267	Dark Blue—Light Blue Imitation Leather	1067	329	Black—White Imitation Leather	Conv.
268	Brown—Tan Imitation Leather	1067 D	337	Turquoise—White Imitation Leather	Conv.
265	Red—White Imitation Leather	1067 D	314	Dark Blue Pattern Cloth—Light Blue Imitation Leather	Spt. Cpe.
266	Dark Green—Light Green Imitation Leather	1067 D	315	Dark Green Pattern Cloth—Light Green Imitation Leather	Spt. Cpe.
267	Dark Blue—Light Blue Imitation Leather	1067 D	316	Red Pattern Cloth—White Imitation Leather	Spt. Cpe.
268	Yellow—White Imitation Leather	1067 D	317	Turquoise Pattern Cloth—White Imitation Leather	Spt. Cpe.
269	Black—White Imitation Leather	1062, 1062 F	318	Beige Pattern Cloth—Tan Imitation Leather	Spt. Cpe.
278	Beige—Brown Imitation Leather	1062, 1062 F 1262 F	319	Black Pattern Cloth—White Imitation Leather	Spt. Cpe.
280	Beige—Green Imitation Leather	1062, 1062 F	323	Green—Straw Imitation Leather	1062 D-62 F
277	Light Green Imitation Leather	1262 F	324	Beige—Straw Imitation Leather	1062 D-62 F
276	Beige Imitation Leather	1271	322	Maroon—Beige Imitation Leather	1262 F
			303	Grey Imitation Leather	1271

**~ BLANK PAGE ~**

**~ BLANK PAGE ~**



# IDENTIFICATION NUMBERS

## GENERAL INFORMATION

The purpose of this listing is to assist in the identification of Chevrolet parts by means of various casting, forging, stamping, molded, or printed numbers which appear on the parts.

Some identification numbers are identical with the service part number while others constitute a portion of a service part number together with alphabetical characters. In other instances the casting or forging number has no association with the service part number and comprises arbitrary numerical and alphabetical digits.

In some instances it will be noted that the same casting or forging number will show different Chevrolet part numbers. This is due to a basic casting or forging being machined or sub-assembled into similar but not identical service parts for various models. Such casting or forging numbers are indicated with an asterisk (\*) signifying that the group shown in the Master Parts Catalog should be consulted for additional information. The symbol (\*) denotes the part has been removed from service.

To facilitate Chevrolet parts identification, the casting, forging, or stamping numbers listed below, are grouped as follows and are cross-referenced to the part number, group number and description.

### Straight Numerical with Fractions and Decimals

- A Prefix Numbers
- H Prefix Numbers
- P Prefix Numbers
- T Prefix Numbers
- AC Prefix Numbers
- FZ Prefix Numbers
- GM Prefix Numbers
- Split Numbers
- Mixed Numbers
- Bearing Numbers\*

\*For your convenience, bearings are listed in three separate groups namely Hyatt, New Departure and Timken. The bearing or bearing parts in each of these three groups will also show the manufacturers identification as follows:

Manufacturer	Manufacturers' Identification
Hyatt	HY or HYATT
New Departure	ND or NEW DEPARTURE
Timken	TIM or TIMKEN

## Straight Numerical with Fractions and Decimals

Identification Number	Part Number	Group Number	Name
04*	3702204	5.420	Axle Shaft
05*	3702205	5.420	Axle Shaft
06*	3702206	5.420	Axle Shaft
06*	4191722	10.655	Channel
06*	4191726	10.657	Shaft
07*	4191723	10.655	Channel
07*	4191727	10.657	Shaft
08*	3702208	5.420	Axle Shaft
1	8609191	4.129	Washer
2	8609192	4.129	Washer
3	8609193	4.129	Washer
4	8609194	4.129	Washer
5	8609195	4.129	Washer
6	8609196	4.129	Washer
7	8609197	4.129	Washer
8	8609198	4.129	Washer
11	604511	6.021	Bushing
14*	363714	5.504	Diff. Carrier
17*	4147641	10.536	Escutcheon
17*	3697017	5.420	Shaft
18*	3697018	5.420	Shaft
18*	4147642	10.536	Escutcheon
18*	362718	5.504	Diff. Carrier
22	4600722	10.674	Deflector
23	4600723	10.674	Deflector
29*	364829	5.504	Diff. Carrier
35*	594366	6.354	Bolt
35*	594367	6.354	Bolt
41*	3652341	5.420	Shaft
41*	3656535	6.323	Deflector
41*	3656536	6.326	Felt
42*	600542	5.504	Diff. Carrier
42*	3652342	5.420	Shaft
42*	4161126	10.536	Escutcheon
42*	4596442	10.469	Plate
43*	4161127	10.536	Escutcheon
43*	4596443	10.469	Plate
44*	4125228	10.450	Hinge
45*	4125227	10.450	Hinge
50*	7002061	3.794	Support
50*	601750	5.504	Diff. Carrier
50*	7002053	3.730	Horn
51*	7002048	3.730	Horn, Carb.
51*	7002158	3.794	Support
52*	4125273	10.454	Hinge
53*	4125273	10.454	Hinge
54	364354	5.504	Diff. Carrier
55*	364355	5.504	Diff. Carrier
55*	7001860	3.792	Jet
55½*	362834	3.793	Jet, Carb.
56*	836307	3.793	Jet, Carb.
56½*	348855	3.793	Jet, Carb.
57*	835875	3.793	Jet, Carb.
57*	7002957	3.792	Jet
57*	7005422	3.794	Support
58	7002958	3.792	Jet
58*	348859	3.793	Jet, Carb.
61*	362772	3.793	Jet, Carb.
63	603963	6.203	Pin, King
64	7002964	3.792	Jet, Carb.
65	7002965	3.792	Jet, Carb.
66	7002966	3.792	Jet, Carb.

Identification Number	Part Number	Group Number	Name	Identification Number	Part Number	Group Number	Name
68*	600268	5.504	Diff. Carrier	3920*	3681552	5.536	Bearing Cone, Diff.
68*	3835868	1.531	Grommet	3984*	3651552	5.536	Bearing Cup, Diff.
68*	4605668	10.469	Plate	4100	3692109	8.039	Plate, Name
69	4605669	10.469	Plate	4400	3692110	8.039	Plate, Name
71*	3835871	1.531	Grommet	4468	7004468	3.725	Carburetor
71*	3835371	0.728	Gear	4478	7004478	3.725	Carburetor
72*	837153	3.844	Jet, Carb.	4500	3692111	8.039	Plate, Name
72	837509	3.844	Jet, Carb.	4530	7005646	3.730	Horn
74*	7002678	3.730	Horn	4620	7005060	3.725	Carburetor
74*	7002680	3.794	Support	4623	7005642	3.730	Horn
75*	1884875	2.807	Disc, Horn Dia.	4915	7004915	3.725	Carburetor
75	4597675	10.469	Plate	4974	4564974	10.587	Bumper
76	363076	5.904	Diff. Carrier	5100	3692112	8.039	Plate, Name
77	601277	5.504	Diff. Carrier	5140	7005140	3.725	Carb.
80*	106671	5.948	Universal Jt.	5400	3692113	8.039	Plate, Name
82	836670	3.792	Jet, Carb.	5423*	7005422	3.794	Support
83.5	837456	3.792	Jet, Carb.	5423*	7005644	3.730	Horn
87*	837147	3.792	Jet, Carb.	5429	7005428	3.794	Support
87*	4118497	10.460	Box	5540*	005540	2.500	Reg., Voltage
88	4118498	10.460	Box	5542*	005542	2.500	Reg., Voltage
88	837490	3.792	Jet, Carb.	5598	7005597	3.794	Support
90*	600660	3.792	Jet, Carb.	5598	7006124	3.730	Horn
90*	4114480	10.456	Hinge	5700	3692114	8.039	Plate, Name
93*	838080	3.792	Jet, Carb.	5881*	005881	2.500	Reg., Voltage
93*	3685193	5.420	Shaft	5921	7005921	3.725	Carb.
94*	3685194	5.420	Shaft	5922	7005922	3.725	Carb.
94	838566	3.792	Jet, Carb.	5925	7005924	3.794	Support
95	838798	3.792	Jet, Carb.	5925	7006122	3.730	Horn
95	3702296	5.420	Shaft	5938	7005938	3.766	Cam
95.5	837906	3.792	Jet, Carb.	6100	3692115	8.039	Plate, Name
96	3702296	5.420	Shaft	6400	3692116	8.039	Plate, Name
98	3702298	5.420	Shaft	6500	3695561	8.039	Plate, Name
081	1116061	2.410	Control	6700	3692117	8.039	Plate, Name
076	1116076	2.410	Control	9761	4589761	10.587	Bumper
131	080384	5.555	Yoke, U. J.	12051*	144527	5.855	Bearing
143	3123992	1.246	Thermostat	17401	5239407	4.329	Lever
201*	1118201	2.500	Reg., Voltage	47413	1068230	7.380	Bracket
203*	1118203	2.500	Reg., Voltage	258609	258609	2.917	Cap
216*	1118216	2.500	Reg., Voltage	260364	260364	6.803	Hsg., Strg.
218*	599218	6.307	Hub	260367*	260362	6.508	Gear, Strg.
220	3702826	4.164	Clutch	260367*	261486	6.508	Gear, Strg.
301	1118301	2.500	Reg., Voltage	260367*	261548	6.508	Gear, Strg.
353*	593353	16.020	Hinge	260367*	261351	6.508	Gear, Strg.
354*	593354	16.020	Hinge	260367*	262694	6.508	Gear, Strg.
501	850501	1.203	Cap	260367*	262941	6.508	Gear, Strg.
507	476507	6.307	Hub	260368	260365	6.785	Hsg., Strg.
627*	1999627	2.810	Horn	260667	263007	6.508	Gear, Strg.
628*	1999628	2.810	Horn	261475	261488	6.785	Hsg., Strg.
631*	1999631	2.810	Horn	261547	261546	6.785	Hsg., Strg.
632	1999632	2.810	Horn	261892*	262237	6.803	Hsg., Strg.
633	1999633	2.810	Horn	261892*	261867	6.508	Gear, Strg.
634	1999634	2.810	Horn	261892*	262664	6.508	Gear, Strg.
639	1999639	2.810	Horn	261892*	262806	6.508	Gear, Strg.
640	1999640	2.810	Horn	261893	261924	6.785	Hsg., Strg.
643	1999643	2.810	Horn	262668	262667	6.785	Hsg., Strg.
644	1999644	2.810	Horn	262696*	262695	6.785	Hsg., Strg.
687	1999687	2.810	Horn	262807	262808	6.785	Hsg., Strg.
726	1924238	2.372	Shaft	262944	262943	6.785	Hsg., Strg.
734	1924265	2.372	Shaft	263009*	263008	6.785	Hsg., Strg.
841	598841	16.020	Hinge, Windshield	263483	263413	6.508	Gear, Strg.
842	598842	16.020	Hinge, Windshield	263485	263486	6.785	Hsg., Strg.
963*	369963	6.307	Hub, Wheel	263528	263719	6.508	Gear, Strg.
2402	3702402	0.863	Plate	263585	263592	8.807	Cover, Strg.
3100	3692106	8.039	Plate, Name	263587*	263503	6.508	Gear, Strg.
3600	3692107	8.039	Plate, Name	263587*	264256	6.508	Gear, Strg.
3800	3692108	8.039	Plate, Name	263587*	264284	6.508	Gear, Strg.
3826	603877	5.453	Cage	263588	263502	6.508	Gear, Strg.

Identification Number	Part Number	Group Number	Name	Identification Number	Part Number	Group Number	Name
264265*	264267	6.803	Hsg., Strg.	353915*	362291	6.008	I-Beam
264265*	264189	6.508	Gear, Strg.	354626*	354626	5.806	Hub, Wheel
264265*	265238	6.508	Gear, Strg.	354955	354955	3.705	Pipe
264268	264270	6.785	Hsg., Strg.	355413*	361922	5.529	Ring Gear
264272*	264189	6.508	Shaft	355414*	361922	5.529	Pinion
264333*	264235	6.508	Shaft	355664*	353295	5.529	Ring Gear
264379	265404	6.508	Gear, Strg.	355665*	353295	5.529	Pinion
264810	264808	6.508	Gear, Strg.	355671*	353294	5.510	Case, Diff.
264813	264814	6.785	Hsg., Strg.	355919	355919	5.152	Lever
265414*	265412	6.859	Arm, Pitman	355920	355920	5.152	Lever
265414*	266885	6.859	Arm, Pitman	356192*	356192	5.459	Spacer, Bearing
265759*	265755	6.508	Gear, Strg.	356207*	356207	6.307	Hub, Wheel
265759*	267164	6.508	Gear, Strg.	356640	361979	5.510	Case, Diff.
265798	265790	6.508	Gear, Strg.	357122*	357122	7.234	Cap, Strg. Gear
265801	265803	6.785	Hsg., Strg.	357388*	363691	5.504	Diff. Carrier
266673*	266673	6.824	Cover, Strg.	357391*	362720	5.510	Case, Diff.
266701	266700	6.807	Cover, Strg.	357392	357392	5.459	Spacer, Bearing
266701*	267387	6.807	Cover, Strg.	357493*	357493	5.555	Yoke, U. J.
266733	267882	6.803	Hsg., Strg.	357493*	362739	5.548	Joint
266856	266844	6.508	Gear, Strg.	357493*	363717	5.548	Joint
267097	267087	6.824	Cover, Strg.	357653	363064	5.529	Pinion
267135	269910	6.508	Gear	357696	354415	6.859	Arm, Pitman
267135*	267731	6.803	Hsg., Strg.	357990	357990	5.806	Hub, Wheel
267690	267690	6.824	Cover, Strg.	357998	357998	5.135	Housing
267733	267793	6.508	Gear, Strg.	359327*	363013	5.504	Diff. Carrier
267733*	267793	6.508	Gear, Strg.	359422*	359422	5.806	Hub, Wheel
270248	270247	6.807	Cover Assy., Strg. side	359423	359423	5.806	Hub, Wheel
270251	270224	6.508	Gear, Strg.	359431*	359431	6.307	Hub, Wheel
270280*	270221	6.508	Gear, Strg.	359458*	358031	6.103	Arm, Strg.
270280*	270927	6.508	Gear, Strg.	359461*	358029	6.103	Arm, Strg.
270778*	270635	6.508	Gear, Strg.	359543*	359543	5.178	Lever
270778	5552982	6.508	Gear	359544	359544	5.178	Lever
334744*	334744	7.523	Shackle	359700*	363064	5.529	Ring Gear
344334*	344334	7.523	Shackle	359767*	359767	5.806	Hub, Wheel
344337*	344337	7.436	Shackle	359770	359770	3.028	Cap, Gas
345610*	353293	5.504	Diff. Carrier	363434*	363434	3.798	Jet, Carb.
345675*	345675	5.459	Spacer, Bearing	363607	363607	5.451	Bushing
345698*	345698	5.152	Lever, Brake	363647*	363647	3.705	Pipe
345743*	348020	5.403	Seat and Cap	363743	363743	6.008	I-Beam
345743*	348021	5.403	Seat and Cap	363938*	363938	0.863	Plate, Clutch
346429	354614	5.806	Hub, Wheel	364027*	364198	5.548	Universal It.
346722	346722	1.066	Belt, Fan	364150*	364071	5.529	Ring Gear
346811	346811	0.874	Lever, Clutch	364151*	364071	5.529	Pinion
347660*	347660	5.555	Yoke, U. J.	364872*	364872	2.274	Pulley
347660*	343881	5.548	Joint	364986*	364986	2.274	Pulley
347661*	343881	5.548	Universal, It.	365286	363164	6.020	Knuckle, Strg.
347661*	362739	5.548	Universal, It.	365291*	365291	6.008	I-Beam
347661*	347661	5.555	Yoke, U. J.	365293	365293	6.307	Hub, Wheel
350350	350350	3.705	Pipe, Tail	365315*	364439	5.548	Joint
350387	350387	6.859	Arm, Pitman	365315*	365315	5.555	Yoke, U. J.
350505	350505	3.609	Pipe, Exhaust	365318	370821	5.548	Universal, It.
350506	350506	3.705	Pipe, Tail	365318*	365318	5.555	Yoke, U. J.
350587*	350587	7.380	Bracket	365325*	365325	6.307	Hub, Wheel
350588*	350588	7.380	Bracket	365412	365412	3.705	Pipe
350944	350944	3.705	Pipe, Tail	365539	358016	5.806	Hub, Wheel
350961*	350961	3.701	Muffler	366731	3652866	5.555	Yoke, U. J.
352225*	352221	6.103	Arm, Strg.	367018	367018	5.806	Hub, Wheel
352227	352223	6.103	Arm, Strg.	367027*	364198	5.548	Universal It.
352246*	352244	5.152	Lever	367162*	363490	5.510	Case, Diff.
352247*	352245	5.152	Lever	367795*	363717	5.548	Universal It.
352250*	352250	5.172	Lever	367795*	600174	5.548	Universal It.
352297*	362147	5.504	Diff. Carrier	367795*	367795	5.555	Yoke, U. J.
352810*	365026	5.548	Universal It.	368351*	363742	5.529	Pinion
352810*	369542	5.548	Universal It.	368352*	363742	5.529	Ring Gear
352810*	352810	5.555	Yoke, U. J.	369509	369509	3.609	Pipe, Exhaust
352810*	365016	5.555	Yoke, U. J.	369541*	365025	5.548	Joint
				369541*	364198	5.548	Joint

Identification Number	Part Number	Group Number	Name	Identification Number	Part Number	Group Number	Name
369541*	369542	5.548	Joint	376203*	376203	5.555	Yoke
369541*	369541	5.555	Yoke, U. J.	376203*	600865	5.548	Joint
369559	369559	5.906	Hub, Wheel	376643*	376643	6.863	Bracket
369951	364538	5.510	Case, Diff.	377198	377198	3.708	Pipe, Tail
369954*	364244	5.529	Ring Gear	377364	377364	3.705	Pipe
369955*	364244	5.529	Pinion	377707*	603459	5.504	Carrier
369963*	354513	6.307	Hub, Wheel	377707*	602447	5.504	Diff. Carrier
370227*	364353	5.529	Pinion	377780	377780	3.609	Pipe, Exhaust
370424	364341	5.505	Carrier and Cap	377812*	377812	5.148	Rod
370430*	372224	5.504	Diff. Carrier	377828	377828	6.307	Hub, Wheel
370443	364749	5.510	Case, Diff.	377927	377927	3.705	Pipe, Tail
370468	3658725	5.555	Yoke, U. J.	377985	377985	6.103	Arm, Strg.
370469*	370469	5.555	Yoke, U. J.	377989	377975	6.103	Arm, Strg.
370469*	364440	5.548	Joint	378010	378010	3.701	Muffler, Exhaust
370469*	370821	5.548	Joint	378048	378033	6.859	Arm, Pitman
370570	370570	3.705	Pipe	378113	378111	6.103	Arm, Strg.
370723	370723	3.609	Pipe, Exhaust	378131*	601220	5.403	Seat and Cap
370746*	370746	3.008	Seal	378132*	602747	6.351	Retainer
370807	364750	5.510	Case, Diff.	378132*	602748	6.351	Retainer
370823*	370823	6.008	I-Beam	378132*	602499	6.351	Retainer
370823*	376879	6.008	I-Beam	378132*	602500	6.351	Retainer
370847*	370847	3.705	Pipe	378903*	378903	6.863	Bracket
370851*	370851	3.609	Pipe, Exhaust	379004	379004	3.609	Pipe, Exhaust
371029	371029	3.609	Pipe, Exhaust	379009	379009	3.705	Pipe, Tail
371088	371088	3.701	Muffler	379058	379058	3.701	Muffler, Exhaust
371267	371633	6.859	Arm, Pitman	379508*	602477	5.529	Ring Gear
372184	372184	3.609	Pipe, Exhaust	379868*	379868	7.103	Hanger
372228*	372228	3.609	Pipe, Exhaust	379993*	379993	3.614	Flange
372229*	372229	3.705	Pipe	379993*	602004	3.614	Flange
372936*	372936	2.274	Pulley	472505	364826	5.510	Case Diff.
373091	373091	3.609	Pipe, Exhaust	472506	473601	5.403	Seat and Cap
373306	373316	5.403	Seat and Cap	472509	476860	6.307	Hub, Wheel
373307	373315	5.403	Seat and Cap	472630	364819	6.020	Knuckle, Strg.
373325*	373325	5.178	Lever	472740*	472740	6.008	I-Beam
373326*	373326	5.178	Lever	472788*	364824	5.529	Ring Gear
373327	373327	5.432	Support	472788*	600523	5.529	Ring Gear
373337	373333	6.103	Arm, Strg.	472788*	601910	5.529	Ring Gear
373339	373331	6.103	Arm, Strg.	472789*	364824	5.529	Pinion
373345	600175	5.403	Seat and Cap	473180*	364838	0.033	Block
373346	600176	5.403	Seat and Cap	473189*	364867	0.648	Crankshaft
373483	373493	6.103	Arm, Strg.	473188	364822	0.603	Conn. Rod
373489	373487	6.103	Arm, Strg.	473197*	473196	0.666	Flywheel
373497	373497	6.307	Hub, Wheel	473197*	837402	0.666	Flywheel
373533	373543	6.103	Arm, Strg.	473536*	602795	5.548	Joint
373536*	602462	5.548	Joint	473589	472721	6.103	Arm, Strg.
373536*	600174	5.548	Joint	473591	472723	6.103	Arm, Strg.
373536*	373536	5.555	Yoke, U. J.	473621	473617	5.403	Seat and Cap
373600*	373600	7.233	Bracket, Strg.	473643*	601755	5.510	Case, Diff.
373607	373607	5.451	Bushing	473644	602031	5.504	Diff. Carrier
373880	373880	3.609	Pipe, Exhaust	473646*	602044	5.529	Ring Gear
374021	2209252	4.916	Cup	473660*	473660	0.861	Cover, Clutch
374440	374440	5.138	Housing	473661	473661	0.863	Plate, Clutch
374448	374448	5.806	Hub, Wheel	473670	473669	1.108	Shaft
374526*	374526	0.027	Bracket	473672	473672	1.066	Belt, Fan
374630	374630	5.004	Bracket	473676*	473667	1.073	Body
374635	374635	6.008	I-Beam	473677	473677	0.800	Plate, Clutch
374641*	600823	5.529	Pinion	473731	473731	0.874	Lever, Clutch
374778	374778	3.701	Muffler, Exhaust	473740	473739	0.259	Cyl. Head
374789	374789	3.609	Pipe, Exhaust	473741*	600373	0.033	Block
374790	374790	3.705	Pipe, Tail	473745*	600357	0.683	Hag., Clutch
374873*	374874	6.859	Arm, Pitman	473757*	473757	3.705	Pipe, Tail
375039*	600269	5.529	Pinion	473772*	601889	5.548	Universal It.
375040*	364353	5.529	Ring Gear	473792	473791	6.859	Arm, Pitman
375040*	600269	5.529	Ring Gear	474057	474057	3.609	Pipe, Exhaust
375040*	602476	5.529	Ring Gear	474849*	474853	6.103	Arm, Strg.
375870	375870	5.148	Rod	474923*	601889	5.548	Joint
375928*	600892	7.495	Cover	474925*	601910	5.529	Pinion



Identification Number	Part Number	Group Number	Name	Identification Number	Part Number	Group Number	Name
475166	475166	6.859	Arm, Pitman	594584	594584	7.233	Bracket, Strg.
475234	475234	3.701	Muffler, Exhaust	594587	594587	7.103	Hanger
475241	475241	3.609	Pipe, Exhaust	594588	594588	7.103	Hanger
475282	475282	3.705	Pipe, Tail	594589	594589	7.103	Hanger
475451	475321	6.103	Arm, Strg.	594590	594590	7.103	Hanger
475453	475319	6.103	Arm, Strg.	594654	594653	6.859	Arm, Pitman
475460	601933	6.020	Knuckle, Strg.	594933*	594933	2.664	Plate
475466*	475466	6.307	Hub, Wheel	594934*	594934	2.664	Plate
475466*	593230	6.307	Hub, Wheel	595017	595017	6.307	Hub, Wheel
475545	475545	5.004	Bracket	595021*	602440	5.529	Pinion
475546	475546	5.004	Bracket	595022*	602440	5.529	Ring Gear
475840	475839	6.859	Arm, Pitman	595022*	604397	5.529	Ring Gear
476187*	476187	4.103	Case	595251	595271	6.859	Arm, Pitman
476511	476857	5.510	Case, Diff.	595631*	602464	5.510	Case, Diff.
476565*	476565	7.233	Bracket, Strg.	595631*	602484	5.510	Case, Diff.
476587*	476587	7.234	Cap, Strg.	595631*	603720	5.510	Case, Diff.
552539	552542	6.803	Hsg., Strg.	595631*	603760	5.510	Case, Diff.
590822	590876	4.103	Case, Trans.	595654	595654	3.579	Bell Crank
590874	590875	4.103	Case	595665*	595665	2.664	Plate
591195	591194	4.103	Case	595901*	602476	5.529	Pinion
591327	591327	4.356	Retainer	595903*	602477	5.529	Pinion & Gear
591353*	591353	4.318	Seal	595949	595949	1.066	Belt, Fan
591353*	3651686	5.555	Yoke, U. J.	596270*	596270	3.695	Weight
591353*	2063383	5.555	Yoke, U. J.	596283*	603690	3.601	Manifold
591446	591446	4.356	Retainer	596300*	596300	3.729	Spacer, Carb.
591605	591605	4.356	Retainer	596567*	596567	6.103	Arm, Strg.
591615	591631	4.103	Case	596571*	607317	6.020	Knuckle, Strg.
591620	591620	4.356	Retainer	596571*	606812	6.020	Knuckle, Strg.
591634	591633	4.317	Support	596776	596775	4.634	Bracket
591644*	591642	5.548	U Joint	596911*	605118	5.548	U Joint
591644*	591644	5.555	U Joint	596911*	604373	5.548	U Joint
591648*	591646	5.548	U Joint	596911*	591646	5.548	U Joint
591665	591666	4.103	Case	596911*	3689288	5.548	U Joint
591665*	591715	4.103	Case	596911*	596911	5.555	Yoke, U. J.
591673	591674	4.317	Retainer	596951	602788	5.403	Seat & Cap
591747	591746	4.103	Case	597169*	597167	4.634	Bracket
591907	591954	4.103	Case	597691*	597691	16.800	Mat
592125*	3651265	4.634	Lever	597693*	597693	16.800	Mat
592125	592124	4.634	Bracket	597695*	597695	16.800	Mat
592193*	602044	5.529	Pinion	597697*	597697	16.800	Mat
592194	602043	5.510	Case, Diff.	597705	597701	6.859	Arm, Pitman
593001*	602443	5.529	Pinion	598097*	598097	0.027	Mounting
593002*	602443	5.529	Ring Gear	598309*	598308	1.069	Pump, Water
593009*	593009	5.510	Case, Diff.	598309*	838903	1.069	Pump, Water
593009*	3691463	5.510	Case	598901*	598901	16.800	Mat
593021	604381	5.504	Carrier	598931*	598931	16.800	Mat
593021*	602439	5.504	Diff. Carrier	598957*	598957	16.800	Mat
593025*	602482	5.548	Universal Jt.	598959*	598959	16.800	Mat
593025*	593025	5.555	Yoke, U. J.	599189	599189	6.023	Support, Strg.
593053	593051	6.103	Arm, Strg.	599190	599190	6.023	Support, Strg.
593057	593055	6.103	Arm, Strg.	599201*	603387	6.020	Knuckle, Strg.
593066	593066	5.420	Axle Shaft	599203*	599203	6.103	Arm, Strg.
593172	593172	3.701	Muffler	599204*	599204	6.103	Arm, Strg.
593231	593233	6.103	Arm, Strg.	599218*	369963	6.307	Hub, Wheel
593235	593411	6.103	Arm, Strg.	599397	599397	3.705	Pipe, Tail
593401*	593405	6.103	Arm, Strg.	599415	599415	3.705	Pipe, Tail
593607	593607	3.614	Flange	599645	599639	6.859	Arm, Pitman
593617*	593618	0.832	Arm	599798	599799	5.403	Seat & Cap
593915*	593915	7.422	Bumper	600279	600279	7.526	Bracket
593926	593926	7.118	Hanger	600568*	600568	0.269	Cyl. Head
593937	593937	7.303	Hanger	601481*	601481	7.605	Bracket
593952	593952	7.303	Hanger	601518	601518	1.066	Belt, Fan
594083	594081	6.859	Arm, Pitman	602230*	602229	2.274	Pulley
594131	594131	3.609	Pipe, Exhaust	602253	604486	2.274	Pulley
594318	594318	5.420	Axle Shaft	602269*	602269	1.062	Pulley
594458	594458	7.233	Bracket, Strg.	602441	602441	5.420	Axle Shaft
594460	594460	7.234	Cap, Strg.				

Identification Number	Part Number	Group Number	Name	Identification Number	Part Number	Group Number	Name
802444	802444	5.420	Axle Shaft	836726*	836726	3.265	Manifold
802503*	364353	5.929	Gear	836729*	836729	3.286	Riser, Intake
802545*	602544	7.495	Cover	836770*	363741	0.659	Pulley
802546*	602597	7.495	Cover	836770*	601359	0.659	Pulley
802969	602969	5.420	Axle Shaft	836795*	363939	0.683	Hsg., Clutch
802970	602970	5.420	Axle Shaft	836813*	836813	0.349	Support
803402	803481	6.859	Arm, Pitman	836819*	364395	3.601	Manifold
803617	803617	5.420	Axle Shaft	836927*	836927	3.265	Manifold
803618	803618	5.420	Axle Shaft	836944	601108	1.069	Pump, Water
803648	803648	3.798	Jet, Carb.	836944*	836943	1.073	Body
804158	604157	1.723	Cover	836950	836950	0.736	Gear
609278*	609278	1.066	Belt, Fan	836958*	836958	0.349	Support, Valve
609279*	609279	1.066	Belt, Fan	836961	836960	0.269	Cyl. Head
609281*	609281	1.066	Belt, Fan	837028*	363426	0.100	Cap
609282*	609282	1.066	Belt, Fan	837028	364291	0.100	Cap
609283*	609283	1.066	Belt, Fan	837043	364663	0.686	Flywheel
756056	756056	0.027	Cushion	837055*	837053	3.286	Riser, Intake
756057	756057	0.027	Cushion	837055*	837170	3.286	Riser, Intake
756700	756700	0.027	Mounting	837112*	362472	1.785	Body, Oil Dist.
835501*	362845	0.033	Block	837151*	837151	0.027	Bracket
835503	835674	0.269	Cylinder Head	837180*	837180	0.661	Cover, Clutch
835507*	835507	0.519	Camshaft	837204*	837204	1.723	Cover, Oil Pump
835508*	835801	0.646	Crankshaft	837230*	837229	0.269	Cyl. Head
835514*	353240	0.095	Cap	837231*	364314	0.033	Block
835515*	348988	0.105	Cap	837231*	600372	0.033	Block
835543*	363347	0.683	Hsg., Clutch	837232*	837232	3.265	Manifold
835549	835676	0.333	Arm, Rocker	837243*	837484	0.666	Flywheel
835564*	835564	1.062	Pulley	837243*	837242	0.666	Flywheel
835572*	835572	0.349	Support	837243*	836014	0.666	Flywheel
835730	835730	0.738	Gear	837251	837251	0.349	Support
835816	835818	1.108	Shaft	837275*	600359	0.683	Hsg., Clutch
835860*	835860	3.798	Jet, Carb.	837277	600355	0.683	Hsg., Clutch
835863*	835863	3.799	Nozzle, Carb.	837309	837309	3.601	Manifold
836010*	602028	0.033	Block	837315*	837315	3.265	Manifold
836010*	604877	0.033	Block	837369	837369	3.798	Jet, Carb.
836078	836075	1.069	Pump, Water	837379	837325	0.333	Arm, Rocker
836078*	836076	1.073	Body	837380	837326	0.333	Arm, Rocker
836079*	836077	1.108	Shaft	837417*	600873	0.333	Arm, Rocker
836259*	836259	1.062	Pulley	837417*	837415	0.333	Arm, Rocker
836273	836275	0.269	Cyl. Head	837443	837443	0.863	Plate, Clutch
836287*	362781	0.095	Cap	837477	837477	0.800	Plate, Clutch
836287	363763	0.095	Cap	837493	837493	3.737	Cover, Carb.
836289*	362782	0.105	Cap	837522	837522	3.579	Bell Crank
836296*	836296	3.798	Jet, Carb.	837591*	601423	0.033	Block
836342*	836342	3.601	Manifold	837595*	837595	3.265	Manifold
836343*	836343	3.265	Manifold	837597	601369	0.683	Hsg., Clutch
836344*	836344	3.272	Gasket	837605*	837604	1.108	Shaft
836347	836347	1.066	Belt, Fan	837605*	838273	1.108	Shaft
836349	363354	0.659	Pulley	837605*	838761	1.108	Shaft
836362*	836363	0.666	Flywheel	837606	837872	1.062	Pulley
836397*	363185	0.683	Hsg., Clutch	837610	837606	1.069	Pump, Water
836409*	363148	0.033	Block	837610*	837609	1.073	Body
836419*	836418	0.646	Crankshaft	837631	837630	0.646	Crankshaft
836421	836421	0.847	Bracket	837674*	837674	1.723	Cover, Oil Pump
836461	836461	0.863	Plate, Clutch	837684*	364323	0.603	Conn. Rod
836494	836494	3.799	Nozzle, Carb.	837684*	601343	0.603	Conn. Rod
836573*	363700	0.033	Block	837899	837899	3.737	Cover, Carb.
836577*	363712	0.100	Cap	837963*	601837	0.683	Hsg., Clutch
836578	363719	0.105	Cap	837981	601988	0.269	Cyl. Head
836589*	837008	0.646	Crankshaft	837984	837984	0.519	Camshaft
836601	363713	0.603	Conn. Rod	838102	602334	0.095	Cap
836621	836621	0.863	Plate, Clutch	838174	838173	0.666	Flywheel
836622	836622	0.874	Lever, Clutch	838246	838246	0.349	Support
836632	836632	0.800	Plate, Clutch	838281*	838345	0.646	Crankshaft
836841*	836841	3.798	Jet, Carb.	838389*	602235	0.603	Rod, Conn.
836681	836681	3.849	Cap, Carb.	838389*	839857	0.603	Rod, Conn.
836718	836717	0.269	Cyl. Head				

Identification Number	Part Number	Group Number	Name	Identification Number	Part Number	Group Number	Name
838397	602366	3.601	Manifold	839750	839749	0.646	Crankshaft
838426	838426	0.519	Camshaft	839751*	606538	0.033	Block
838436	838436	0.736	Gear	839754*	839753	0.666	Flywheel
838442	838440	1.652	Pump, Oil	839754*	839776	0.666	Flywheel
838442*	838441	1.653	Body, Oil Pump	839754*	839562	0.666	Flywheel
838448	838447	1.723	Cover, Oil Pump	839755	606536	0.105	Cap
838466	838473	1.062	Pulley	839770*	606537	0.033	Block
838475	602271	0.683	Hsg., Clutch	839770*	607891	0.033	Block
838533	601735	0.683	Hsg., Clutch	839775	839774	0.646	Crankshaft
838553	602490	0.105	Cap	839910*	606537	0.033	Block
838599	838599	3.798	Jet, Carb.	848492	848492	4.329	Adapter Assy.
838669	602956	0.683	Hsg., Clutch	855228*	855228	3.910	Cover, Fuel Pump
838708*	838708	0.795	Fork, Clutch	857053	857053	2.515	Ammeter
838711*	838711	0.795	Fork, Clutch	860239*	860566	4.329	Adapter Assy.
838733	838733	0.519	Camshaft	919044	919044	2.682	Lens, Tail Lamp
838764*	598308	1.069	Pump, Water	920626*	920626	2.682	Lens, Tail Lamp
838764*	598310	1.062	Pulley	923344	923344	2.727	Lens
838764*	838763	1.062	Pulley	1063708	3681494	7.380	Fitting
838773	838781	0.269	Cyl. Head	1063708*	1063708	7.385	Axle Fitting
838863*	603447	0.659	Pulley	1066222	1066222	7.385	Bracket
838863*	605203	0.659	Pulley	1066223*	1066223	7.380	Bracket
838877	838345	0.646	Crankshaft	1074886*	1074886	4.665	Wheel Cylinder
838880	838880	3.737	Cover, Carb.	1074886	5300866	4.665	Wheel Cylinder
838905*	838903	1.069	Pump, Water	1074899*	1074899	4.665	Wheel Cylinder
838905*	838904	1.062	Pulley	1074899	5300867	4.665	Wheel Cylinder
838941*	603401	0.033	Block	1074903*	1074903	4.665	Wheel Cylinder
838941*	607874	0.033	Block	1074903	5300869	4.665	Wheel Cylinder
838948	838948	0.863	Plate, Clutch	1107009*	1107009	2.041	Motor, Starter
838949	838949	0.863	Plate, Clutch	1107055	1107055	2.041	Motor, Starter
838960	603371	0.098	Cap	1107061*	1107061	2.041	Motor, Starter
838963	838963	1.785	Body, Oil Dist.	1107075	1913369	2.041	Motor, Starter
838987	838993	0.333	Arm, Rocker	1107076	1107076	2.041	Motor, Starter
838998	838994	0.333	Arm, Rocker	1112353*	1112353	2.361	Distributor
839001	838999	0.333	Arm, Rocker	1112388	1112388	2.361	Distributor
839005	604112	3.265	Manifold	1112389	1112389	2.361	Distributor
839111	839110	0.646	Crankshaft	1112392	1112392	2.361	Distributor
839124	604371	0.105	Cap	1112396	1112396	2.361	Distributor
839130	604341	3.601	Manifold	1116270*	1116270	2.188	Electrolock
839132*	604370	0.033	Block	1116278	1116278	2.188	Electrolock
839132*	607876	0.033	Block	1116279*	1116279	2.188	Electrolock
839159	839157	1.652	Pump, Oil	1116301	1116301	2.188	Electrolock
839159*	839158	1.653	Body, Oil Pump	1116303	1116303	2.188	Electrolock
839181	604361	0.683	Hsg., Clutch	1116304	1116304	2.188	Electrolock
839219	604372	0.102	Cap	1118309	1118309	2.500	Regulator
839240*	839240	0.795	Fork, Clutch	1118334	1118334	2.500	Regulator
839257	3847361	0.683	Hsg., Clutch	1118343	1118343	2.500	Regulator
839277	839276	1.723	Cover, Oil Pump	1118361	1118361	2.500	Regulator
839279*	839279	3.265	Manifold	1118390	1118390	2.500	Regulator
839400	605191	0.033	Block	1118720	1118720	2.500	Regulator
839400*	607890	0.033	Block	1118721	1118721	2.500	Regulator
839401*	839409	0.269	Cyl. Head	1118722	1118722	2.500	Regulator
839403*	839467	1.069	Pump, Water	1118725	1118725	2.500	Regulator
839403*	3704340	1.069	Pump, Water	1118942	1118942	2.500	Regulator
839403*	3704341	1.069	Pump, Water	1517598	1517598	3.108	Gauge
839461	839459	0.333	Arm, Rocker	1521765*	1523417	3.900	Fuel Pump
839462	839460	0.333	Arm, Rocker	1521812	1523421	3.900	Fuel Pump
839465	839463	0.333	Arm, Rocker	1523089	1523429	3.900	Fuel Pump
839466	839464	0.333	Arm, Rocker	1563032	1565811	4.329	Adapter Assy.
839471*	839471	1.153	Water Outlet	1563871	1565812	4.329	Adapter Assy.
839519	605312	3.737	Cover, Carb.	1563872	1565813	4.329	Adapter Assy.
839558*	602235	0.603	Rod, Conn.	1564408	1565814	4.329	Adapter Assy.
839558*	839557	0.603	Rod, Conn.	1848515	1848515	2.017	Control
839563*	839562	0.666	Flywheel	1871821	1871821	2.183	Bracket
839563*	839564	0.666	Flywheel	2165458	2165458	5.636	Lever
839630	839630	3.729	Spacer, Carb.	2243591	2243591	3.407	Hose
839683*	605635	0.659	Balancer	3107400	379070	1.219	Core
839688	839687	3.265	Manifold				

Identification Number	Part Number	Group Number	Name	Identification Number	Part Number	Group Number	Name
3108266	3108266	1.219	Core	3652522*	604404	5.529	Ring Gear
3109032	3109032	1.219	Core	3652526*	604400	5.529	Ring Gear
3109423	3109423	1.219	Core	3652526*	605179	5.529	Ring Gear
3112128	3112128	1.219	Core	3652527*	604400	5.529	Pinion
3112378	3112375	1.219	Core	3652547*	604416	5.529	Pinion
3113453	3113453	1.219	Core	3652549*	604427	5.529	Pinion
3114520	3114520	1.219	Core	3652597	3652615	6.103	Arm, Strg.
3114869	3114869	1.219	Core	3652725	3652725	3.609	Pipe, Exhaust
3115087	3115087	1.219	Core	3652829	3652829	7.303	Hanger
3118968	3118968	1.219	Core	3652830	3652830	7.303	Hanger
3121096	3121096	1.219	Core	3652866*	602795	5.548	Universal It.
3121208	3121208	1.219	Core	3652866*	604373	5.548	Universal It.
3121212	3121212	1.219	Core	3652866*	596731	5.555	Yoke, U. I.
3121499	3121499	1.219	Core	3652866*	591648	5.555	Yoke, U. I.
3121500	3121500	1.219	Core	3652936	3652936	7.535	Bumper
3121538	3121538	1.219	Core	3652943	3652943	7.103	Hanger
3128877	3130944	1.219	Core	3652944	3652944	7.103	Hanger
3129670	3703574	1.277	Shroud	3653057*	3653057	5.555	Yoke, U. I.
3130812	3704508	1.277	Shroud	3653235	3653235	7.395	Axle Bracket
3131381	3131855	1.219	Core	3653236	3653236	7.395	Axle Bracket
3131362	3131362	1.219	Core	3653365*	3653379	5.548	Universal It.
3650405	603483	6.859	Arm, Pitman	3653365*	3653380	5.548	Universal It.
3650445	3650445	7.233	Bracket, Strg.	3653365*	3653365	5.555	Yoke, U. I.
3650577	3650577	7.234	Cap, Strg.	3653366*	3653379	5.548	Joint
3650628*	3650628	5.476	Retainer, Bearing	3653366*	3653366	5.555	Yoke, U. I.
3650775*	3650775	7.380	Bracket	3653367*	3653367	5.555	Yoke, U. I.
3650776*	3650776	7.380	Bracket	3653386	3653386	3.609	Pipe, Exhaust
3650866*	3650866	16.800	Mat	3653423	3653493	6.859	Arm, Pitman
3650957	3650957	7.103	Horn	3653436	3653436	6.859	Arm, Pitman
3650959	3650959	7.303	Hanger	3653613*	3653613	5.007	Bracket
3651001	3651001	3.609	Pipe, Exhaust	3653614*	3653614	5.007	Bracket
3651035	603269	6.020	Knuckle, Strg.	3653616	3653616	5.476	Retainer, Bearing
3651036	603270	6.020	Knuckle, Strg.	3653625*	3653625	16.800	Mat
3651093	3651093	3.403	Support	3653635*	3653635	16.800	Mat
3651138	3651138	0.847	Bracket	3653655*	3653655	16.800	Mat
3651357	3651524	5.403	Seat and Cap	3653657*	3653657	16.800	Mat
3651412	608750	5.510	Case, Diff.	3653658	3653658	3.701	Muffler, Exhaust
3651416	3651416	5.461	Pinion	3653725	3653725	3.705	Pipe, Tail
3651419	3651419	5.461	Pinion	3653873	3653873	16.800	Mat
3651544	3651543	6.859	Arm, Pitman	3653908	605661	6.168	Arm
3651565	3651565	3.705	Pipe	3653908*	362608	6.301	Wheel
3651858	3651858	7.103	Horn	3653908	605662	6.168	Arm
3651987	604489	6.103	Arm, Strg.	3654160	3654160	5.432	Hanger
3652107*	3652107	4.820	Support	3654435	604296	6.020	Knuckle, Strg.
3652178*	604398	5.529	Ring Gear	3655245	3655245	3.705	Pipe, Tail
3652178	3709430	5.529	Ring Gear	3655265	3655265	3.701	Muffler, Exhaust
3652179*	604398	5.529	Pinion	3655802	3655802	5.432	Hanger
3652183	3652182	5.403	Seat and Cap	3656417*	3656417	6.006	I-Beam
3652278*	604402	5.510	Case, Diff.	3656435	3656435	7.103	Horn
3652279*	604402	5.510	Case, Diff.	3656436	3656436	7.103	Horn
3652280	604472	5.505	Carrier and Cap	3656441*	3656441	16.800	Mat
3652281*	604424	5.529	Pinion	3656471	3656471	7.303	Hanger
3652282*	604424	5.529	Ring Gear	3656473*	3656473	16.800	Mat
3652282*	604416	5.529	Ring Gear	3656486*	3656486	7.380	Axle, Bracket
3652285*	604397	5.529	Pinion	3656493*	3656493	16.800	Mat
3652293	3652293	5.420	Axle Shaft	3656503*	3656503	16.800	Mat
3652294	3652294	5.420	Axle Shaft	3656525*	3656525	6.006	I-Beam
3652330	604382	5.504	Diff. Carrier	3656525*	3657690	6.006	I-Beam
3652336	3652336	5.510	Case, Diff.	3656555*	3656555	5.403	Seat and Cap
3652341	3652341	5.420	Axle Shaft	3656596	3656596	3.609	Pipe
3652342	3652342	5.420	Axle Shaft	3656608	3656608	3.609	Pipe
3652409	604118	6.008	I-Beam	3656668	604912	7.113	Bracket
3652433	3652433	5.403	Plate	3656670*	3656690	7.523	Shackle
3652510*	604399	5.529	Ring Gear	3656674	3656674	7.380	Axle Bracket
3652511*	604399	5.529	Pinion	3656742	3656742	5.403	Seat and Cap
3652521*	604404	5.529	Pinion	3656764	3656764	3.705	Pipe, Tail
3652522*	604427	5.529	Ring Gear				



Identification Number	Part Number	Group Number	Name	Identification Number	Part Number	Group Number	Name
3656869*	3656869	6.307	Hub, Wheel	3665768*	591642	5.548	U Joint
3656872	3656872	6.008	I-Beam	3665768*	3689266	5.548	U Joint
3656885	3656885	6.307	Hub, Wheel	3665768*	3693692	5.548	U Joint
3656895	370429	5.520	Spider Diff.	3665768*	3689266	5.548	Joint
3656962	3656962	3.705	Pipe, Tail	3665768*	609531	5.548	Joint
3656982	3656982	3.705	Pipe, Tail	3666758*	3686758	16.800	Mat
3656985*	3656985	16.800	Mat	3667227	3667227	6.103	Arm, Strg.
3657003	3663176	5.545	Flange, Pinion	3667229	373541	6.103	Arm
3657004	3657004	3.705	Pipe, Tail	3667231	3667231	6.103	Arm
3657060	3657060	7.112	Hanger	3667232	3667232	6.103	Arm
3657106	605056	5.555	Sleeve	3667235*	593405	6.103	Arm, Strg.
3657135	3657135	3.705	Pipe, Tail	3667237	596575	6.103	Arm, Strg.
3657239	3657239	7.103	Horn	3668100	3668100	5.808	Hub
3657240	3657240	7.103	Horn	3676572	3676572	1.268	Moulding
3657313	3657313	5.420	Axle Shaft	3678183	3690160	6.020	Knuckle, Strg.
3657314	3657314	5.420	Axle Shaft	3678184	3678176	6.103	Arm
3657319*	605335	5.504	Diff. Carrier	3678185	3678185	6.103	Arm
3657319*	3689552	5.504	Diff. Carrier	3678186	3678186	6.008	I Beam
3657319*	3691492	5.504	Carrier	3680776	3680776	1.066	Belt, Fan
3657339*	3687936	5.504	Carrier	3680977	3680977	5.420	Axle Shaft
3657339*	3683183	5.504	Carrier	3680978	3680978	5.420	Axle Shaft
3657339*	3691494	5.504	Carrier	3681101*	3678196	6.021	Bushing
3657339*	605320	5.504	Diff. Carrier	3681101	3681101	6.008	I Beam
3657394*	3657394	5.555	Flange	3681259	3681259	16.800	Mat
3657394*	3680420	5.555	Flange	3681269	3681269	16.800	Mat
3657399	3657399	7.535	Bumper	3681271	3681271	16.800	Mat
3657543*	3653057	5.555	Yoke, U. J.	3681273	3681273	16.800	Mat
3657707	605340	5.505	Carrier and Cap	3681274	3681274	16.800	Mat
3657708	3663150	5.545	Flange, Prop. Shaft	3681291*	3681291	3.705	Pipe, Tail
3657709	605179	5.529	Pinion	3681457	3681457	16.800	Mat
3657900*	3657900	3.705	Pipe, Tail	3681459	3681459	7.380	Bracket
3657963	3657963	3.609	Pipe, Exhaust	3681642	3681642	6.008	I Beam
3658081*	3658081	3.705	Pipe, Tail	3681642*	365291	6.008	"Y" Beam
3658409	3665989	7.103	Horn	3681660	3681660	5.403	Plate, Spring
3658410	3665990	7.103	Horn	3681664	3681664	5.403	Plate, Spring
3658411*	3658411	7.233	Bracket, Strg.	3681703	3681703	7.518	Plate
3658724*	606837	5.548	Universal Jt.	3682046*	3682046	3.705	Pipe, Tail
3658724*	3658724	5.555	Yoke, U. J.	3682103*	609797	5.529	Pinion
3658724*	609531	5.548	Joint	3682104*	609797	5.529	Ring Gear
3658725*	364439	5.548	U Joint	3682105	3682105	5.476	Retainer, Bearing
3658725*	364440	5.548	U Joint	3682116	3680976	5.545	Flange, Pinion
3658725*	600865	5.548	U Joint	3682126*	3682125	5.505	Carrier
3658725*	605118	5.548	U Joint	3682145*	609798	5.529	Pinion
3659377*	3659377	3.705	Pipe, Tail	3682146*	609798	5.529	Ring Gear
3659433	3659433	3.579	Lever	3682199	3682199	5.476	Retainer
3659737	3659737	3.609	Pipe	3682461	3682461	5.420	Axle Shaft
3660435	3660473	0.646	Crankshaft	3682462	3682462	5.420	Axle Shaft
3660439*	605472	0.033	Block	3682591	3682589	6.859	Arm
3660439*	605473	0.033	Block	3682918	3682918	3.609	Pipe
3660474*	3660474	0.519	Camshaft	3682938	3682938	3.705	Pipe
3660474*	3835502	0.519	Camshaft	3683054	3683054	7.421	Retainer
3660474	3701413	0.519	Camshaft	3683161	3683161	5.420	Axle Shaft
3661871	605925	5.505	Carrier and Cap	3683162	3683162	5.420	Axle Shaft
3661872	605922	5.510	Case, Diff.	3683214	3683214	6.008	I Beam
3661873	605922	5.510	Case, Diff.	3683253	3683279	6.859	Arm
3661877*	3661877	5.420	Axle Shaft	3683299	3683297	6.859	Arm
3661878*	3661878	5.420	Axle Shaft	3683301	3683301	7.103	Hanger
3661899*	3651368	5.420	Axle Shaft	3683302	3683302	7.103	Hanger
3661899*	3661899	5.420	Axle Shaft	3683309	3683309	7.303	Hanger
3663696	3663696	5.820	Spider	3683441	3683441	7.380	Fitting
3663861	3663861	7.233	Bracket, Strg.	3683442	3683442	7.380	Fitting
3664549	607626	6.020	Knuckle, Strg.	3683464	3683464	3.705	Pipe
3664551	607306	6.020	Knuckle, Strg.	3683635	3683635	7.103	Hanger
3664592*	609803	5.510	Case w/Cover	3683636	3683636	7.103	Hanger
3664593*	609803	5.510	Case w/Cover	3683640	3683640	7.380	Bracket
3665768*	606779	5.548	Joint				
3665768*	3665768	5.555	Yoke, U. J.				

Identification Number	Part Number	Group Number	Name	Identification Number	Part Number	Group Number	Name
3683656	3683656	3.705	Pipe	3690589	3690589	3.609	Pipe, Exhaust
3683703	3683703	9.009	Support	3691173	3691171	6.179	Arm, Strg. Knuckle
3683815	3683815	5.526	Gear	3691175	3691175	6.103	Arm, Strg. Knuckle
3684108	3684108	3.609	Pipe	3691176	3691176	6.103	Arm, Strg. Id. & Thd.
3684293	3684293	3.705	Pipe	3691185	3691183	6.859	Arm Assy., Pitman
3684840	3684840	3.705	Pipe	3691277	3691277	3.609	Pipe
3684947	3684948	6.859	Arm	3691464*	3694806	5.529	Ring Gear
3685029	3685029	7.103	Hanger	3691465*	3694806	5.529	Ring Gear
3685030	3685030	7.103	Hanger	3691468	3693459	6.169	Shaft
3685035	3685035	3.609	Pipe	3691671	3695312	0.683	Housing
3685038	3685038	7.303	Hanger	3692278	3692278	3.705	Pipe
3685063*	3685063	4.820	Bracket	3692529	3692529	3.868	Governor
3685191	3685191	5.420	Axle Shaft	3692703*	3695755	0.033	Block
3685192	3685192	5.420	Axle Shaft	3692703*	3693814	0.033	Block
3685546	3685546	4.820	Bracket	3692703*	3698390	0.033	Block
3685753	3685755	6.103	Arm	3692713*	3693847	0.033	Block, Cyl.
3685895	3685891	6.103	Arm	3692713*	3693849	0.033	Block, Cyl.
3685897*	3685901	6.103	Arm	3692824	3692824	3.705	Pipe
3685897*	3694907	6.103	Arm	3692825	3692825	3.705	Pipe
3686270	3686270	16.800	Mat	3692828	3692828	3.705	Pipe
3686323*	3686323	5.555	Yoke	3692956	3692956	0.027	Mounting
3686323*	3689266	5.548	U Joint	3692962*	3694354	4.103	Case
3686324*	3689288	5.548	U Joint	3692964	3692963	4.212	Cover, Screw
3686324*	3686324	5.555	Yoke	3692971	3692971	4.205	Cover, Diaphragm
3686985	3686985	5.403	Plate, Spring	3692974*	3694608	4.208	Housing, Mod.
3687250	3687250	4.603	Lock	3692998*	3692998	3.705	Pipe
3687251	3687251	16.800	Mat	3693078*	3692077	4.216	Body Assy.
3687491	3687489	6.859	Arm, Pitman	3693105	3693105	1.066	Belt
3687496	3687496	3.609	Pipe	3693245*	3694354	4.103	Case
3687497	3687497	7.103	Hanger, Spring	3693425	3693425	0.027	Mounting
3687498	3687498	7.103	Hanger, Spring	3693446	3696323	6.020	Knuckle
3687505	3687505	7.303	Hanger, Spring	3693461	3693461	3.865	Governor
3687517	3687517	7.233	Bracket, Strg. gear	3693462	3693462	3.865	Governor
3687617	3687517	3.705	Pipe	3693491	3693491	16.800	Mat
3687631	3687631	6.307	Hub, Wheel	3693497	3693497	16.800	Mat
3687651	3687651	6.023	Support Strg. Knuck.	3693499	3693499	16.800	Mat
3687652	3687652	6.023	Support Strg. Knuck.	3693548	3693548	3.609	Pipe
3687664	3690685	6.169	Shaft	3693598	3693598	3.609	Pipe
3687767	3687767	5.420	Axle Shaft	3693712	3693712	3.609	Pipe
3687768	3687768	5.420	Axle Shaft	3693714	3693714	3.609	Pipe
3687863*	3690841	6.020	Knuckle, Strg.	3693715	3693715	3.609	Pipe
3687951*	3687951	6.886	Seal, Rod	3693819	3693819	16.800	Mat
3687978	3687978	3.705	Pipe	3694217	3696337	6.020	Knuckle
3687994	3687994	3.705	Pipe	3694229	3694227	6.103	Arm
3688001	3691963	0.683	Housing	3694233	3694231	6.103	Arm
3688908	3688908	3.705	Pipe	3694300	3694300	4.018	Support
3688993	3688993	0.095	Cap	3694443	3694448	4.216	Body
3688994	3688994	0.098	Cap	3694487	3692982	4.115	Hub
3688995	3688995	0.102	Cap	3694755	3694755	5.420	Axle Shaft
3688996	3688996	0.103	Cap	3694756	3694756	5.420	Axle Shaft
3689758	3689758	4.203	Seal, Oil	3694757	3694757	6.307	Hub
3689136	3689136	3.705	Pipe	3694768	3694768	6.307	Hub
3689571*	3689571	3.705	Pipe	3694769	3694769	5.420	Axle Shaft
3689572	3689572	3.705	Pipe	3694770	3694770	5.420	Axle Shaft
3689573	3689573	3.705	Pipe	3694893	3694893	6.859	Arm
3689574	3689574	3.705	Pipe	3694905	3694905	6.859	Arm
3689575	3689575	3.705	Pipe	3694909	3694909	6.103	Arm
3689579	3689579	3.705	Pipe	3694919	3694919	6.859	Arm
3689758	3689758	4.203	Seal	3694921	3694921	6.103	Arm
3689887*	3689887	5.555	Yoke	3695053	3695053	16.800	Mat
3689857*	3693692	5.548	U Joint	3696161	3696161	3.705	Pipe
3689911	3689911	4.105	Cover	3696178	3696178	3.705	Pipe
3689912	3689912	4.105	Cover	3696192	3696192	3.745	Gauge
3690050*	3690050	3.705	Pipe	3696806	3696806	3.705	Pipe
3690416	3690416	4.081	Support	3696868*	3696868	3.705	Pipe
3690441	3690439	6.103	Arm, Strg.	3696869*	3696869	3.705	Pipe
3690587	3690587	3.609	Pipe, Exhaust				

Identification Number	Part Number	Group Number	Name	Identification Number	Part Number	Group Number	Name
3696988	3696988	3.614	Flange	3704551	3704551	4.081	Support
3697050*	3697050	3.705	Pipe	3704776	3704776	0.863	Plate
3697052	3697052	3.609	Pipe	3704989	3704989	3.701	Muffler
3697054	3697054	3.609	Pipe	3704998	3704998	3.705	Pipe
3697056	3697056	3.609	Pipe	3704999	3704999	3.705	Pipe
3697058	3697058	3.609	Pipe	3705183	3705182	5.555	Flange
3697466	3703565	6.020	Knuckle	3705359	3705359	3.705	Pipe
3697555	3697554	4.212	Cover	3705360	3705360	3.705	Pipe
3697577	3697577	4.208	Housing	3705444	3705444	0.027	Mounting
3697600	3697600	3.705	Pipe	3705447	3705447	0.027	Mounting
3697601	3697601	3.705	Pipe	3705689	3705689	7.380	Bracket
3697602	3697602	3.705	Pipe	3705690	3705690	7.380	Bracket
3697701	3697701	5.510	Case	3705693	3705693	7.380	Bracket
3697702	3707516	5.529	Gear Assy.	3705694	3705694	7.380	Bracket
3697703	3707516	5.529	Gear Assy.	3705695	3705695	7.395	Bracket
3698043	3698043	3.705	Pipe	3705696	3705696	7.395	Bracket
3698950	3698948	5.504	Carrier	3705697	3705697	7.380	Bracket
3698954*	3698952	5.504	Carrier	3705867	3705867	3.705	Pipe
3698954	3710403	5.504	Carrier	3705870	3705870	3.705	Pipe
3699535	3699534	5.505	Carrier	3705873	3705873	3.705	Pipe
3701055	3701055	3.609	Pipe	3707391	3707391	5.403	Plate
3701167	3895692	0.033	Block	3707390	3707390	5.403	Plate
3701246	3703491	0.098	Cap	3707396	3707396	5.403	Plate
3701247	3703492	0.102	Cap	3707304	3707304	5.504	Carrier
3701414	3701414	0.519	Camshaft	3707343	3707343	5.504	Carrier
3701481	3707735	0.033	Block	3707510	3707510	5.809	Drum Assy.
3701481	3707736	0.033	Cyl. Block	3708831	3709756	6.020	Knuckle
3701481	3709607	0.033	Block	3708929	3708929	1.066	Belt
3701491	3701490	0.603	Rod	3709643	3709643	16.800	Mat
3701562	3702363	1.652	Pump	3809693	3809693	16.800	Mat
3701862	3701862	3.705	Pipe	3810590	3810590	16.800	Mat
3701890	3701889	0.603	Rod	3835150	609584	3.265	Manifold
3702068	3702068	4.203	Seal	3835152	3835151	3.265	Manifold
3702206*	3702206	5.420	Axle Shaft	3835181	3835181	3.655	Weight
3702219	3702219	5.420	Axle Shaft	3835184*	839557	0.603	Rod
3702220	3702220	5.420	Axle Shaft	3835201	3707141	0.683	Housing
3702222	3702222	5.420	Axle Shaft	3835201	3847679	0.683	Housing, Clutch
3702227	3702227	5.420	Axle Shaft	3835253	3692882	0.033	Block
3702226	3707515	5.510	Case	3835253*	3689770	0.033	Block, Cyl. Case
3702228	3702228	5.420	Shaft	3835253*	3847674	0.033	Block, Cyl. Case
3702230	3702230	5.420	Axle Shaft	3835271	3835270	0.646	Crankshaft
3702281	3702284	5.505	Carrier	3835274*	3835610	0.603	Rod
3702292	3702292	5.528	Gear	3835274*	3835273	0.603	Rod, Connecting
3702299	3702299	5.806	Hub	3835274*	3835451	0.603	Rod
3702365	3702363	1.652	Pump	3835309*	3692681	0.033	Block
3702436	3707737	0.033	Block	3835309*	3688771	0.033	Block, Cyl. Case
3702436	3707821	0.033	Cyl. Block	3835309*	3847684	0.033	Block, Cyl. Case
3702448	3835928	0.603	Rod	3835311*	3835310	0.646	Crankshaft
3702601	3703695	4.103	Case	3835324*	3835610	0.603	Rod
3702647	3702647	4.105	Cover	3835324*	3835273	0.603	Rod, Connecting
3703169	3703169	4.081	Support	3835324*	3835451	0.603	Rod
3703420	3703420	0.519	Camshaft	3835335*	606538	0.033	Block, Cyl. Case
3703508	3703508	5.018	Facing	3835388	3691971	3.601	Manifold
3703633	3703633	6.660	Belt	3835395	3691933	3.265	Manifold
3703634	3703634	1.066	Bolt	3835409*	3835408	0.269	Cyl. Head
3703685	3703685	3.685	Governor	3835423	3835423	1.153	Water Outlet
3703715	3703716	5.545	Flange	3835440	3690880	3.601	Manifold
3703724	3703724	5.528	Gear	3835442	3690881	3.265	Manifold
3703727	3707538	5.510	Case	3835497*	3693848	0.033	Block
3703731	3703732	5.453	Cage	3835497*	3693846	0.033	Block
3703733	3703734	5.545	Flange	3835499	3703569	0.269	Head
3703795	3703795	6.179	Arm	3835499*	3835545	0.269	Head
3703917	3703917	5.018	Facing	3835501	3835513	0.646	Crankshaft
3704297	3704295	6.859	Arm	3835517	3835543	0.269	Head
3704417	3705430	5.529	Ring Gear	3835520	3835520	0.349	Support, Shaft
3704482	3704482	6.307	Hub	3835527	3691933	3.265	Manifold
3704489	3704489	6.307	Hub				

Identification Number	Part Number	Group Number	Name	Identification Number	Part Number	Group Number	Name
3835549	3835547	0.333	Arm, Rocker	4565899*	4565915	10.694	Weatherstrip, Door
3835550	3835548	0.333	Arm, Rocker	4565918	4565918	10.694	Weatherstrip, Door
3835553	3835551	0.333	Arm, Rocker	4565919	4565919	10.694	Weatherstrip, Door
3835554	3835552	0.333	Arm, Rocker	4565920	4565920	10.694	Weatherstrip, Door
3835580	3694165	3.601	Manifold	4565921	4565921	10.694	Weatherstrip, Door
3835582	3835581	3.265	Manifold	4565922*	4565922	10.694	Weatherstrip, Door
3835587	3694164	3.601	Manifold	4565923	4565923	10.694	Weatherstrip, Door
3835590	3694163	3.265	Manifold	4565924	4565924	10.694	Weatherstrip, Door
3835609	3835610	0.603	Rod	4565925	4565925	10.694	Weatherstrip, Door
3835946	3835946	0.213	Seal	4565926*	4565926	12.269	W/Strip, Trunk Lid
3836021	3836021	0.886	Disc	4566232	4566232	14.060	W/Strip, Rt. Rail Hdr.
3836045	3836045	0.519	Camshaft	4566372	4566485	12.269	W/Strip, End Gate
3836085	3836085	0.738	Gear	4566373	4566486	12.269	W/Strip, End Gate
3836097	3836097	0.886	Disc	4566816	4566969	12.269	W/Strip, End Gate
3836114	3836114	0.349	Support	4566817	4566970	12.269	W/Strip, End Gate
3836127	3836127	0.519	Camshaft	4567202*	4567202	10.694	Weatherstrip, Door
3836156	3836156	0.738	Gear	4567203*	4567203	10.694	Weatherstrip, Door
3836208	3836207	1.069	Pump	4567395	4567395	13.352	Deflector, Water
3836209	3836209	1.153	Outlet	4567398	4567398	13.352	Deflector, Water
3845020	3845019	4.317	Support Assy.	4567403*	4567401	10.694	Weatherstrip
3845021	3845021	4.318	Seal	4567404*	4567402	10.694	Weatherstrip
3845022	3845092	5.585	Yoke	4567405*	4567401	10.694	Weatherstrip
4162686	4165785	14.481	Motor	4567406*	4567402	10.694	Weatherstrip
4559994	4559994	12.075	Moulding, Roof Drip	4570882*	4570882	10.826	Chnl., Fr. Dr. Vent.
4559995	4559995	12.075	Moulding, Roof Drip	4570883*	4570883	10.826	Chnl., Fr. Dr. Vent.
4559996	4559996	12.075	Moulding, Roof Drip	4570905*	4570905	10.092	Channel, W/S Glass
4559997	4559997	12.075	Moulding, Roof Drip	4571918	4571918	10.694	Weatherstrip
4559998	4559998	12.075	Moulding, Roof Drip	4571919	4571919	10.694	Weatherstrip
4559999	4559999	12.075	Moulding, Roof Drip	4572585	4572585	12.269	W/strip, End Gate
4560000	4560000	12.075	Moulding, Roof Drip	4573854	4573854	10.092	Channel
4560001	4560001	12.075	Moulding, Roof Drip	4573855	4573855	10.092	Channel
4560004	4560004	12.075	Moulding, Roof Drip	4573856	4573856	10.092	Channel
4560005	4560005	12.075	Moulding, Roof Drip	4573857	4573857	10.092	Channel
4560006	4560006	12.075	Moulding, Roof Drip	4573858	4573858	10.092	Channel
4560007	4560007	12.075	Moulding, Roof Drip	4573859*	4573859	10.092	Channel
4561161	4561161	12.075	Moulding, Roof Drip	4577608*	4577608	10.826	Chnl., Fr. Dr. Vent.
4561162	4561162	12.075	Moulding, Roof Drip	4577609*	4577609	10.826	Chnl., Fr. Dr. Vent.
4561189	4561189	12.075	Moulding, Roof Drip	4577610	4577610	10.826	Channel
4561190	4561190	12.075	Moulding, Roof Drip	4577611	4577611	10.826	Channel
4562384	4562384	11.015	W/Strip, Qtr. Wind.	4577612*	4577612	10.826	Chnl., Fr. Dr. Vent.
4562385	4562385	11.015	W/Strip, Qtr. Wind.	4577613*	4577613	10.826	Chnl., Fr. Dr. Vent.
4562759	4562759	12.075	Moulding, Roof Drip	4577614	4577614	10.826	Channel
4562760	4562760	12.075	Moulding, Roof Drip	4578468	4578468	10.694	Weatherstrip
4562802	4562802	12.075	Moulding	4578469	4578469	10.694	Weatherstrip
4563068	4563068	10.826	Chnl., Fr. Dr. Vent.	4579802	4589888	10.721	Weatherstrip
4563069	4563069	10.826	Chnl., Fr. Dr. Vent.	4579803	4589889	10.721	Weatherstrip
4563765	4563765	14.060	W/Strip, Roof Rail	4580720	4580720	11.381	Bumper
4563766	4563766	14.060	W/Strip, Roof Rail	4585280	4585280	10.092	Channel W/S Glass
4564058	4564058	14.070	Filler	4585281	4585281	10.092	Channel W/S Glass
4564059	4564059	14.070	Filler	4585387	4585387	14.115	Weatherstrip
4564076*	4564076	10.092	Channel, W/S Glass	4586397	4586397	11.381	Bumper, Front Seat
4564077	4564077	10.092	Channel, W/S Glass	4587340	4587340	10.092	Channel
4564078	4564078	10.092	Channel, W/S Glass	4587341	4587341	10.092	Channel
4564079	4564079	10.092	Channel, W/S Glass	4585388*	4585388	14.115	Weatherstrip
4564080	4564080	10.092	Channel, W/S Glass	4589389	4589389	10.694	Weatherstrip
4564581	4170976	14.481	Motor	4589390	4589390	10.694	Weatherstrip
4564583*	1108572	14.481	Motor	4589397	4589397	10.694	Weatherstrip
4564932*	1108572	14.481	Motor	4589398	4589398	10.694	Weatherstrip
4564950	4564950	12.075	Moulding, Roof Drip	4589811	4589811	10.694	Weatherstrip
4564951	4564951	12.075	Moulding, Roof Drip	4589812	4589812	10.694	Weatherstrip
4565883	4565883	14.115	Weatherstrip, Door	4589964	4589964	14.115	Weatherstrip
4565884	4565884	14.115	Weatherstrip, Door	4589965	4589965	14.115	Weatherstrip
4565898*	4565912	10.694	Weatherstrip, Door	4590305	4591919	10.721	Weatherstrip
4565898*	4565913	10.694	Weatherstrip, Door	4590306	4591920	10.721	Weatherstrip
4565898*	4565963	10.694	Weatherstrip, Door	4596441	4596441	11.015	Weatherstrip
4565898*	4565964	10.694	Weatherstrip, Door	4596445	4596445	12.075	Moulding
4565899*	4565914	10.694	Weatherstrip, Door				



Identification Number	Part Number	Group Number	Name	Identification Number	Part Number	Group Number	Name
4596446	4596446	12.075	Moulding	5450589*	5450389	4.650	Main Cyl.
4596447	4596447	12.075	Moulding	5450589	5450588	4.650	Main Cyl.
4596448	4596448	12.075	Moulding	5450821	5453817	4.665	Cylinder
4596449	4596449	12.075	Moulding	5450822	5453818	4.665	Cylinder
4596450	4596450	12.075	Moulding	5450990	5450988	4.665	Wheel Cyl.
4596453	4596453	12.075	Moulding	5450991	5450989	4.665	Wheel Cyl.
4596454	4596454	12.075	Moulding	5453781	5453780	4.665	Cylinder
4596734	4596734	12.075	Moulding	5453820	5453819	4.665	Cylinder
4596735	4596735	12.075	Moulding	5453825*	5453866	4.665	Cylinder
4598798	4598798	12.075	Moulding	5453825*	5453865	4.665	Cylinder
4598799	4598799	12.075	Moulding	5453839	5453846	4.653	Piston
4599542	4599542	12.075	Moulding	5453926	5453925	4.665	Cylinder
4599543	4599543	12.075	Moulding	5453927	5453924	4.665	Cylinder
4602111	4602111	12.075	Moulding	5453990	5453989	4.665	Cylinder
4602112	4602112	12.075	Moulding	5454126	5454126	4.650	Cylinder
4602549	4602549	11.380	Stop	5454135	5454135	4.650	Cylinder
4603829	4603829	11.381	Bumper	5454251*	5454313	4.665	Cylinder
4605261	4605261	10.694	Weatherstrip	5454251*	5454314	4.665	Cylinder
4605262	4605262	10.694	Weatherstrip	5454387	5454387	4.667	Cylinder
4614089	4614089	12.075	Moulding	5930213	5930213	2.682	Lens
4615469	4615469	10.721	Weatherstrip	5930214	5930214	2.682	Lens
4615470	4615470	10.721	Weatherstrip	5930342	5930342	2.682	Lens
4615527	4615527	10.721	Gasket	5930829	5930829	2.682	Lens
4615528	4615528	10.721	Gasket	5930830	5930830	2.682	Lens
4623208	4623208	11.380	Support	5931432*	5931432	2.682	Lens
4623209	4623209	11.380	Support	5932761	5932761	2.709	Lens, License
5047472	5047472	8.855	Motor	5932997	5932997	2.589	Lens
5047533	5047533	8.855	Motor, Heater	5933130	5933130	2.697	Lens, Back Up
5047534	5047534	8.855	Motor, Heater	5936030	5936030	2.589	Lens
5047601	5047601	8.855	Motor	5936809	5936809	2.589	Lens
5047608	5047608	8.855	Motor, Heater	5936810	5936810	2.589	Lens
5047619*	5047619	8.855	Motor	5936906	5936906	2.682	Lens
5047624	5047624	8.855	Motor	5937162	5937162	2.682	Lens
5300813*	5300813	4.665	Wheel Cyl.	5937794	5937794	2.682	Lens
5300813	5300868	4.665	Wheel Cyl.	5937861	5937861	2.682	Lens
5300852	5300851	4.653	Piston, Brake	5937941*	5937941	2.709	Lens, License
5300892	5300885	4.665	Cylinder	5938015	5938015	2.697	Lamp, Back Up
5300892*	5300892	4.665	Wheel Cyl.	5938155	5938155	2.589	Lens
5300892*	5450553	4.665	Wheel Cyl.	5938297	5938297	2.697	Lamp, Back Up
5300915	5300915	4.659	Boot	5938832	5938832	2.709	Lens, License
5300955	5300953	4.665	Wheel Cyl.	5939299	5939299	2.589	Lens
5300955*	5300955	4.665	Wheel Cyl.	5939421	5939421	2.682	Lens
5300956	5300954	4.665	Wheel Cyl.	5939934	5939934	2.589	Lens
5300956*	5300956	4.665	Wheel Cyl.	5940033	5941081	2.681	Rim
5302486*	5316194	7.345	Shock Abs.	5940033*	5940062	2.681	Rim
5304283	5304283	7.380	Axle Bracket	5941670	5941670	2.681	Door
5313075	5313075	7.380	Axle Fitting	5941679	5941679	2.682	Lens
5335933	5335933	7.380	Axle Fitting	5941699	5941699	2.682	Lens
5450072*	5451615	4.665	Cylinder	5941699	5941699	2.697	Lens
5450072*	5450071	4.665	Wheel Cyl.	5941701	5941701	2.682	Lens
5450072*	5450072	4.665	Wheel Cyl.	5942334	5942334	2.593	Door
5450249	5450248	4.650	Main Cyl.	5943403	5943403	2.682	Lens
5450249*	5450392	4.650	Main Cyl.	5943404	5943404	2.694	Lens
5450256*	605009	4.650	Main Cyl.	5943406	5943406	2.682	Lens
5450256*	5450628	4.650	Cylinder	5943497	5943497	2.682	Lens
5450256*	5450257	4.650	Main Cyl.	5944070	5944070	2.682	Lens
5450256*	5450382	4.650	Main Cyl.	7002105	7002104	3.725	Body, Carb.
5450256*	5450497	4.650	Main Cyl.	7002128*	7002110	3.729	Body
5450259*	605010	4.650	Main Cyl.	7002129*	7005643	3.729	Body
5450259*	5450629	4.650	Cylinder	7003536	7003535	3.734	Bowl
5450259*	5450277	4.650	Main Cyl.	7003538*	7005645	3.729	Body
5450259*	5450383	4.650	Main Cyl.	7003538*	7005647	3.729	Body
5450259*	5450498	4.650	Main Cyl.	7004516	7004670	3.734	Bowl
5450315	5450314	4.653	Piston	7005935	7006137	3.750	Cover
5450451*	605007	4.650	Main Cyl.	8605800	8605800	4.133	Cap
5450451*	5451055	4.650	Main Cyl.	8615293	8615293	4.041	Lever
5450551	5450551	4.659	Boot				

Identification Number	Part Number	Group Number	Name
8615294	8615294	4.041	Lever
8615466	8615466	4.265	Valve

### A Prefix Numbers

Identification Number	Part Number	Group Number	Name
A 11810*	4180473	10.452	Hinge, Door
A 11811*	4180474	10.452	Hinge, Door
A 11816*	4180476	10.454	Hinge, Door
A 15338*	4180506	10.452	Hinge, Door
A 15339*	4180507	10.452	Hinge, Door
A 15340*	4180509	10.454	Hinge, Door
A 15441*	4180513	10.450	Hinge, Door
A 15831	4180516	10.458	Hinge, Door
A 15532*	4180517	10.458	Hinge, Door
A 32158*	4002992	10.450	Hinge, Door
A 32159*	4002993	10.450	Hinge, Door
A 37376*	4014646	10.450	Hinge, Door
A 37376*	4014646	10.452	Hinge, Door
A 37377*	4014647	10.450	Hinge, Door
A 37377*	4014647	10.452	Hinge, Door
A 38736*	4024061	10.456	Hinge, Door
A 38737*	4024062	10.456	Hinge, Door
A 39599*	4024206	10.452	Hinge, Door
A 39600*	4024205	10.452	Hinge, Door
A 39603*	4024208	10.454	Hinge, Door
A 39604*	4024207	10.454	Hinge, Door
A 47579*	4028779	10.450	Hinge, Door
A 48179*	4030843	10.461	Hinge, Door
A 48183*	4030844	10.461	Hinge, Door
A 49668*	4034240	10.450	Hinge, Door
A 49669*	4034241	10.450	Hinge, Door
A 49674*	4034242	10.454	Hinge, Door
A 49675*	4034243	10.454	Hinge, Door
A 60571	4044828	10.454	Hinge, Door
A 60572	4044827	10.454	Hinge, Door
A 60646*	4044829	10.456	Hinge, Door
A 60647*	4044830	10.456	Hinge, Door
A 6190*	4044831	10.456	Hinge, Door
A 61900*	4044831	10.460	Hinge, Door
A 61901*	4044832	10.456	Hinge, Door
A 61902*	4045054	10.450	Hinge, Door
A 61903*	4045053	10.450	Hinge, Door
A 61904*	4045056	10.454	Hinge, Door
A 61905*	4045055	10.454	Hinge, Door
A 69528*	4046576	10.461	Hinge, Door
A 69532*	4046622	10.461	Hinge, Door
A 70888*	4058961	10.450	Hinge, Door
A 70889*	4058962	10.450	Hinge, Door
A 70892	4058965	10.454	Hinge, Door
A 70893	4058966	10.454	Hinge, Door
A 70908*	4058971	10.456	Hinge, Door
A 70909*	4058972	10.456	Hinge, Door
A 70916	4058973	10.460	Hinge, Door
A 70917	4058974	10.460	Hinge, Door
A 71036*	4065606	11.120	Mldg., Window
A 71036*	4065608	11.120	Mldg., Window
A 71240*	4065572	11.075	Mldg., Door
A 71241*	4065573	11.075	Mldg., Door
A 71335*	4058183	10.461	Hinge, Door
A 71417*	4058184	10.461	Hinge, Door
A 71733*	4059819	10.450	Hinge, Door
A 71734	4059820	10.450	Hinge, Door
A 71743*	4065156	10.051	Mldg., Windshield
A 71743*	4065157	10.051	Mldg., Windshield
A 71744*	4059797	11.075	Mldg., Door
A 71744*	4065582	11.075	Mldg., Door

Identification Number	Part Number	Group Number	Name
A 71744*	4065584	11.075	Mldg., Door
A 71745*	4059798	11.075	Mldg., Door
A 71745*	4065583	11.075	Mldg., Door
A 71745*	4065585	11.075	Mldg., Door
A 71746*	4059799	11.089	Mldg., Door
A 71746*	4065590	11.089	Mldg., Door
A 71747*	4065591	11.089	Mldg., Door
A 71748*	4065600	11.119	Mldg., Quarter
A 71749*	4065601	11.119	Mldg., Quarter
A 71750*	4065596	11.119	Mldg., Quarter
A 71750*	4065598	11.119	Mldg., Quarter
A 71751*	4065597	11.119	Mldg., Quarter
A 71751*	4065599	11.119	Mldg., Quarter
A 71752*	4065604	11.119	Mldg., Quarter
A 71753*	4065603	11.119	Mldg., Quarter
A 86447*	4064461	10.450	Hinge, Door
A 86448*	4064462	10.450	Hinge, Door
A 86455*	4064463	10.454	Hinge, Door
A 86456*	4064464	10.454	Hinge, Door
A 88141*	4064480	10.461	Hinge, Door
A 88325*	4065588	11.075	Mldg., Door
A 88326*	4065589	11.075	Mldg., Door
A 88327*	4065574	11.075	Mldg., Door
A 88328*	4065575	11.075	Mldg., Door
A 88329*	4065586	11.075	Mldg., Door
A 88330*	4065587	11.075	Mldg., Door
A 88455*	4065592	11.089	Mldg., Door
A 88471	4064393	10.454	Hinge, Door
A 88476	4064398	10.450	Hinge, Door
A 88646	4065611	10.450	Hinge, Door
A 88647	4065610	10.450	Hinge, Door
A 88652*	4065613	10.454	Hinge, Door
A 88653	4065612	10.454	Hinge, Door
A 88658*	4065614	10.456	Hinge, Door
A 88659*	4065615	10.456	Hinge, Door
A 89116*	4070799	11.075	Mldg., Door
A 89119*	4070800	11.075	Mldg., Door
A 89120*	4070801	11.075	Mldg., Door
A 89346*	4065616	10.460	Hinge, Door
A 89347*	4065616	10.460	Hinge, Door

### H Prefix Numbers

Identification Number	Part Number	Group Number	Name
H 10118*	4070759	10.052	Mldg., Windshield
H 10764*	4082039	11.127	Mldg., Back Door
H 10764*	4090128	11.127	Mldg., Back Door
H 17096*	4073731	10.081	Mldg., Windshield
H 17099*	4073852	11.119	Mldg., Quarter
H 17099*	4082034	11.119	Mldg., Quarter
H 17100*	4073853	11.119	Mldg., Quarter
H 17100*	4082035	11.119	Mldg., Quarter
H 17101*	4073856	11.119	Mldg., Quarter
H 17101*	4082036	11.119	Mldg., Quarter
H 17102*	4073857	11.119	Mldg., Quarter
H 17102*	4082037	11.119	Mldg., Quarter
H 17113	4073866	10.450	Hinge, Door
H 17114	4073865	10.450	Hinge, Door
H 17115	4073868	10.454	Hinge, Door
H 17116	4073867	10.454	Hinge, Door
H 17117	4073869	10.456	Hinge, Door
H 17119	4073871	10.460	Hinge, Door
H 17123*	4073860	11.120	Mldg., Window
H 17123*	4082038	11.120	Mldg., Window
H 17123	4090127	11.120	Mldg., Window
H 17723*	4073972	11.207	Channel, Window

Identification Number	Part Number	Group Number	Name	Identification Number	Part Number	Group Number	Name
H 17799	4073873	10.461	Hinge, Door	H 33571*	4090089	11.075	Moulding, Door
H 17800*	4073874	10.461	Hinge, Door	H 33572	4090096	11.075	Moulding, Door
H 18098*	4073738	10.051	Mldg., Windshield	H 33573*	4090097	11.075	Moulding, Door
H 18548*	4073863	11.075	Moulding, Door	H 33574*	4090100	11.089	Moulding, Door
H 18549*	4073864	11.075	Moulding, Door	H 33575*	4090101	11.089	Moulding, Door
H 30134	4079557	11.075	Mldg., Door	H 33576	4090117	11.119	Mldg., Quarter
H 30135*	4079558	11.075	Mldg., Door	H 33577	4090118	11.119	Mldg., Quarter
H 30136	4079559	11.075	Mldg., Door	H 33578*	4090123	11.119	Mldg., Quarter
H 30137	4079560	11.075	Mldg., Door	H 33579*	4090124	11.119	Mldg., Quarter
H 30138*	4079565	11.075	Mldg., Door	H 33590*	4089917	10.051	Mldg., Windshield
H 30139*	4079566	11.075	Mldg., Door	H 33601*	4090090	11.075	Moulding, Door
H 30140*	4079567	11.075	Mldg., Door	H 33602	4090091	11.075	Moulding, Door
H 30141*	4079568	11.075	Mldg., Door	H 33603*	4090086	11.075	Moulding, Door
H 30144	4079561	11.075	Mldg., Door	H 33604*	4090087	11.075	Moulding, Door
H 30145	4079562	11.075	Mldg., Door	H 33605*	4090094	11.075	Moulding, Door
H 30146*	4079563	11.075	Mldg., Door	H 33606	4090095	11.075	Moulding, Door
H 30147*	4079564	11.075	Mldg., Door	H 33607	4090098	11.089	Moulding, Door
H 30148*	4079569	11.089	Mldg., Door	H 33608	4090099	11.089	Moulding, Door
H 30149*	4079570	11.089	Mldg., Door	H 33609	4090115	11.119	Mldg., Quarter
H 30150*	4079571	11.089	Mldg., Door	H 33610	4090116	11.119	Mldg., Quarter
H 30151*	4079572	11.089	Mldg., Door	H 33680*	4090236	12.075	Moulding
H 30365*	4079575	11.119	Mldg., Quarter	H 33681*	4090237	12.075	Moulding
H 30366*	4079576	11.119	Mldg., Quarter	H 33693*	4090125	11.119	Mldg., Quarter
H 30367*	4079573	11.119	Mldg., Quarter	H 33694*	4090126	11.119	Mldg., Quarter
H 30368*	4079574	11.119	Mldg., Quarter	H 34015*	4090191	11.015	Channel
H 30561*	4081695	11.119	Mldg., Quarter	H 34016*	4090190	11.015	Channel
H 30562*	4081696	11.119	Mldg., Quarter	H 70994	4099932	10.092	Channel
H 30563*	4081697	11.119	Mldg., Quarter	H 71240	4102144	11.120	Mldg., Window
H 30564*	4081698	11.119	Mldg., Quarter	H 71423	4102233	10.450	Hinge, Door
H 30724	4082012	11.075	Mldg., Door	H 71452*	4099967	10.051	Mldg., Windshield
H 30725*	4082013	11.075	Mldg., Door	H 71476*	4102143	11.127	Moulding, Door
H 30726*	4082014	11.075	Mldg., Door	H 71476*	4115425	11.127	Moulding, Door
H 30727*	4082015	11.075	Mldg., Door	H 71538	4102222	10.456	Hinge, Door
H 30728*	4082020	11.075	Mldg., Door	H 71539	4102223	10.456	Hinge, Door
H 30729	4082021	11.075	Mldg., Door	H 71550	4102235	10.460	Box
H 30730*	4082022	11.075	Mldg., Door	H 71551	4102236	10.460	Box
H 30731*	4082023	11.075	Mldg., Door	H 71612*	4102214	12.075	Moulding
H 30732	4082016	11.075	Mldg., Door	H 71613	4102215	12.075	Moulding
H 30733	4082017	11.075	Mldg., Door	H 71697	4102225	10.454	Hinge, Door
H 30734*	4082018	11.075	Mldg., Door	H 71698	4102224	10.454	Hinge, Door
H 30735*	4082019	11.075	Mldg., Door	H 71704*	4099966	10.092	Channel
H 30767*	4082026	11.089	Mldg., Door	H 71959*	4102093	11.075	Mldg., Door
H 30768*	4082027	11.089	Mldg., Door	H 71960	4102094	11.075	Mldg., Door
H 30769*	4082028	11.089	Mldg., Door	H 72051*	4102111	11.089	Mldg., Door
H 30770*	4082029	11.089	Mldg., Door	H 72052*	4102112	11.089	Mldg., Door
H 30898	4082030	11.119	Mldg., Quarter	H 72053	4102121	11.119	Mldg., Quarter
H 30899*	4082031	11.119	Mldg., Quarter	H 72054	4102122	11.119	Mldg., Quarter
H 30900*	4082032	11.119	Mldg., Quarter	H 72055	4102135	11.119	Mldg., Quarter
H 30901*	4082033	11.119	Mldg., Quarter	H 72056	4102136	11.119	Mldg., Quarter
H 30971*	4081934	10.051	Mldg., Windshield	H 72059	4102141	11.119	Mldg., Quarter
H 30972*	4081937	10.051	Mldg., Windshield	H 72060	4102142	11.119	Mldg., Quarter
H 32057*	4082024	11.075	Mldg., Door	H 72193	4102228	10.461	Hinge, Door
H 32058*	4082025	11.075	Mldg., Door	H 72194	4102229	10.461	Hinge, Door
H 32254*	4082280	10.694	Weatherstrip	H 72350	4102339	11.187	Channel
H 33351	4102234	10.450	Hinge, Door	H 72537	4102129	11.119	Mldg., Quarter
H 33372	4090131	10.450	Hinge, Door	H 72538	4102130	11.119	Mldg., Quarter
H 33373	4090130	10.450	Hinge, Door	H 72539*	4101953	11.119	Mldg., Quarter
H 33374	4091040	10.454	Hinge, Door	H 72540*	4101954	11.119	Mldg., Quarter
H 33375	4091039	10.454	Hinge, Door	H 72573	4102336	11.015	Channel
H 33459	4089916	10.092	Channel	H 72609*	4102819	10.694	Weatherstrip
H 33564*	4090121	11.119	Mldg., Quarter	H 72610	4102820	10.694	Weatherstrip
H 33565*	4090122	11.119	Mldg., Quarter	H 72616*	4101976	10.694	Weatherstrip
H 33566*	4090119	11.119	Mldg., Quarter	H 72638*	4101980	10.694	Weatherstrip
H 33567*	4090120	11.119	Mldg., Quarter	H 72645*	4102113	11.089	Mldg., Door
H 33568*	4090092	11.075	Moulding, Door	H 72646*	4102114	11.089	Mldg., Door
H 33569*	4090093	11.075	Moulding, Door	H 72647*	4102123	11.119	Mldg., Quarter
H 33570*	4090088	11.075	Moulding, Door				

Identification Number	Part Number	Group Number	Name
H 72648	4102124	11.119	Mldg., Quarter
H 72893	4102340	11.207	Channel
H 73005*	4102371	10.033	Weatherstrip
H 73323	4101979	10.694	Weatherstrip
H 73324	4101978	10.694	Weatherstrip
H 74175	4102081	11.075	Mldg., Door
H 74176	4102082	11.075	Mldg., Door
H 74177	4102097	11.075	Mldg., Door
H 74178*	4102098	11.075	Mldg., Door
H 74183	4102087	11.075	Mldg., Door
H 74184*	4102088	11.075	Mldg., Door
H 74185*	4102099	11.075	Mldg., Door
H 74186*	4102100	11.075	Mldg., Door
H 74191*	4102105	11.075	Mldg., Door
H 74192*	4102106	11.075	Mldg., Door
H 74193	4102101	11.075	Mldg., Door
H 74194	4102102	11.075	Mldg., Door
H 74520	4101974	10.694	Weatherstrip
H 74921	4101975	10.694	Weatherstrip
H 74524*	4102821	10.694	Weatherstrip
H 74931*	4116070	10.694	Weatherstrip
H 75063*	4125209	11.027	Channel
H 75189	4114481	10.456	Hinge, Door
H 75190*	4114480	10.456	Hinge, Door
H 75502*	4114576	10.051	Mldg., Windshield
H 75503*	4114577	10.051	Mldg., Windshield
H 75752*	4114769	11.075	Mldg., Door
H 75752	4129672	11.075	Mldg., Door
H 75753*	4114770	11.075	Mldg., Door
H 75753	4129673	11.075	Mldg., Door
H 75754*	4114771	11.075	Mldg., Door
H 75754*	4129674	11.075	Mldg., Door
H 75755*	4114772	11.075	Mldg., Door
H 75755	4129675	11.075	Mldg., Door
H 75756*	4114773	11.075	Mldg., Door
H 75756	4129676	11.075	Mldg., Door
H 75757*	4114774	11.075	Mldg., Door
H 75757*	4129677	11.075	Mldg., Door
H 75758	4114775	11.089	Mldg., Door
H 75758*	4129678	11.089	Mldg., Door
H 75759*	4114776	11.089	Mldg., Door
H 75759*	4129679	11.089	Mldg., Door
H 75760*	4114951	11.119	Mldg., Quarter
H 75760*	4129680	11.119	Mldg., Quarter
H 75761*	4114952	11.119	Mldg., Quarter
H 75761	4129681	11.119	Mldg., Quarter
H 75762	4116221	11.119	Mldg., Quarter
H 75763	4116222	11.119	Mldg., Quarter
H 75766	4116225	11.119	Mldg., Quarter
H 75767	4116226	11.119	Mldg., Quarter
H 75976	4125388	11.027	Channel
H 75994*	4114831	15.290	Mat
H 75995*	4114832	15.290	Mat
H 76000*	4114837	15.290	Mat
H 76001*	4114838	15.290	Mat
H 76006*	4114843	15.290	Mat
H 76007*	4114844	15.290	Mat
H 76050*	4115249	10.694	Weatherstrip
H 76055*	4122677	10.694	Weatherstrip
H 76056*	4122678	10.694	Weatherstrip
H 76057	4115115	10.694	Weatherstrip
H 76058	4115116	10.694	Weatherstrip
H 76069*	4122594	10.092	Channel
H 76219	4115007	11.119	Mldg., Quarter
H 76220*	4115008	11.119	Mldg., Quarter
H 76223*	4122679	10.694	Weatherstrip
H 76264	4114973	14.060	Weatherstrip

Identification Number	Part Number	Group Number	Name
H 76279	4115015	11.075	Mldg., Door
H 76280	4115016	11.075	Mldg., Door
H 76283	4114979	11.207	Channel
H 76290*	4115009	11.119	Mldg., Quarter
H 76290	4129682	11.119	Mldg., Quarter
H 76291*	4115010	11.119	Mldg., Quarter
H 76291*	4129683	11.119	Mldg., Quarter
H 76304	4116280	10.092	Channel
H 76309	4114992	11.015	Channel
H 76310	4114993	11.015	Channel
H 76312	4114994	10.694	Weatherstrip
H 76313	4114995	10.694	Weatherstrip
H 76979*	4116181	11.089	Mldg., Door
H 76980	4116182	11.089	Mldg., Door
H 76997	4116184	11.119	Mldg., Quarter
H 76998	4116185	11.119	Mldg., Quarter
H 77051*	4116269	12.116	Retainer
H 77052*	4116270	12.116	Retainer
H 77053*	4116271	12.116	Retainer
H 77054*	4116272	12.116	Retainer
H 77055*	4116273	12.116	Retainer
H 77056*	4116274	12.116	Retainer
H 77057*	4116275	12.116	Retainer
H 77058	4116276	12.121	Retainer
H 77124	4115113	11.207	Channel
H 77761*	4121555	12.116	Retainer
H 77762*	4121556	12.116	Retainer
H 77930*	4122594	10.092	Channel
H 77943	4120856	11.075	Mldg., Door
H 77944	4120857	11.075	Mldg., Door
H 77951*	4120864	11.089	Mldg., Door
H 77952*	4120865	11.089	Mldg., Door
H 77961*	4121552	11.120	Mldg., Window
H 78111*	4123939	15.290	Mat
H 78112*	4123940	15.290	Mat
H 78171*	4123946	15.290	Mat
H 78172*	4123947	15.290	Mat
H 78194*	4123952	10.694	Weatherstrip
H 78232*	4123953	10.694	Weatherstrip
H 78232*	4143075	10.694	Weatherstrip
H 78232*	4143076	10.694	Weatherstrip
H 78834	4125418	10.092	Channel
H 78900*	4125428	10.694	Weatherstrip
H 78900*	4125824	10.701	Channel
H 79376*	4125491	15.290	Mat
H 79377*	4125492	15.290	Mat
H 79840	4125526	10.694	Weatherstrip
H 79841	4125527	10.694	Weatherstrip
H 79930*	4122594	10.092	Channel
H 95540*	141866	4.422	Bearing, Trans.
H 99015*	127893	4.422	Bearing, Trans.

### P Prefix Numbers

Identification Number	Part Number	Group Number	Name
P 20031	4132081	10.694	Weatherstrip
P 20032	4132082	10.694	Weatherstrip
P 20725	4131426	10.694	Weatherstrip
P 20726	4131427	10.694	Weatherstrip
P 21456	4143069	10.694	Weatherstrip
P 21457	4143070	10.694	Weatherstrip
P 21458	4143071	10.694	Weatherstrip
P 21459	4143072	10.694	Weatherstrip
P 21462	4143073	10.694	Weatherstrip
P 21463	4143074	10.694	Weatherstrip
P 21472	4143077	10.694	Weatherstrip



Identification Number	Part Number	Group Number	Name
P 21474	4143079	10.694	Weatherstrip
P 21940	4550508	15.290	Mat
P 21941	4550509	15.290	Mat
P 21946	4550510	15.290	Mat
P 21947	4550511	15.290	Mat
P 21952	4147876	15.290	Mat
P 21953	4147877	15.290	Mat
P 21954	4147878	15.290	Mat
P 21955	4147879	15.290	Mat
P 21986	4147880	15.290	Mat
P 21957	4147881	15.290	Mat
P 21962	4147886	15.290	Mat
P 21963	4147887	15.290	Mat

### T Prefix Numbers

Identification Number	Part Number	Group Number	Name
T 48012*	4102334	10.450	Hinge, Door
T 82726	4081935	10.052	Moulding
T 87046	4191718	10.652	Weatherstrip
T 87047	4191719	10.652	Weatherstrip
T 87052	4191702	10.652	Weatherstrip
T 87053	4191703	10.652	Weatherstrip
T 99174	4191700	10.686	Weatherstrip
T 99175	4191701	10.686	Weatherstrip
T 89B-6	3709331	4.356	Retainer
T 89B-1	3709329	4.103	Case
T 85B-23	3709307	4.303	Fork
T 85B-24	3709308	4.303	Fork
T 89B-41	3709344	4.302	Lever
T 89B-40	3709343	4.302	Lever
T 89B-148	3709340	4.105	Cover
T 89B-7	3709332	4.317	Retainer

### AC Prefix Numbers

Identification Number	Part Number	Group Number	Name
AC 549	850549	1.203	Cap
AC 9798	5592627	3.900	Pump
AC 9832	5592627	3.900	Pump

### FZ Prefix Numbers

Identification Number	Part Number	Group Number	Name
FZ 1961*	473888	7.103	Horn
FZ 1962*	473887	7.103	Hanger
FZ 1967	373599	7.303	Hanger
FZ 1968	373670	7.112	Hanger
FZ 1969*	373665	7.118	Hanger
FZ 1991	377269	7.303	Hanger
FZ 2805	593756	7.103	Hanger
FZ 2806	593755	7.103	Hanger
FZ 2906*	379867	7.103	Hanger
FZ 29062*	379867	7.103	Hanger
FZ 29-11-1	475112	7.303	Hanger
FZ 29-12-1	475111	7.303	Hanger
FZ 254850*	356935	7.112	Hanger

### GM Prefix Numbers

Identification Number	Part Number	Group Number	Name
GM*	3835318	0.297	Valve
GM*	3835639	0.297	Valve
GM-R	3682122	5.528	Gear, Diff.
GM 1	3836191	0.539	Bearing
GM 02	374602	5.420	Axle Shaft
GM 2	3836140	0.543	Bearing

Identification Number	Part Number	Group Number	Name
GM 3	3836141	0.546	Bearing
GM 4	3703418	0.549	Bearing
GM 11	601911	5.420	Axle Shaft
GM 12	601912	5.420	Axle Shaft
GM 19	358519	5.420	Axle Shaft
GM 23	364823	5.420	Axle Shaft
GM 24	600524	5.420	Axle Shaft
GM 33	370433	5.420	Axle Shaft
GM 39	3651053	5.528	Gear, Diff.
GM 42	602442	5.420	Axle Shaft
GM 45	604245	6.021	Bushing
GM 46	357646	5.420	Axle Shaft
GM 48	359348	5.420	Axle Shaft
GM 52	364352	5.420	Axle Shaft
GM 56	369556	5.420	Axle Shaft
GM 67	355667	5.420	Axle Shaft
GM 97	357497	5.420	Axle Shaft

### Split Numbers

Identification Number	Part Number	Group Number	Name
56-45*	364024	3.806	Rod, Metering
62-45*	364554	3.806	Rod, Metering
62-48*	364840	3.806	Rod, Metering
63-47*	364553	3.806	Rod, Metering
63-50*	364841	3.806	Rod, Metering
65-41*	839064	3.806	Rod, Metering
65-48*	837881	3.806	Rod, Metering
65-62*	364529	3.806	Rod, Metering
66-37*	603687	3.806	Rod, Metering
66-42*	3669080	3.806	Rod, Metering
66-50*	837470	3.806	Rod, Metering
67-40*	603632	3.806	Rod, Metering
67-42*	839024	3.806	Rod, Metering
67-46*	839577	3.806	Rod, Metering
67-52*	600534	3.806	Rod, Metering
67-52*	838595	3.806	Rod, Metering
68-41*	602538	3.806	Rod, Metering
68-49*	602277	3.806	Rod, Metering
68-49*	605554	3.806	Rod, Metering
68-53*	600535	3.806	Rod, Metering
69-42*	838003	3.806	Rod, Metering
69-42*	838790	3.806	Rod, Metering
69-43*	838970	3.806	Rod, Metering
69-44*	838087	3.806	Rod, Metering
70-46*	602193	3.806	Rod, Metering
70-47*	602539	3.806	Rod, Metering
71-50*	602194	3.806	Rod, Metering
75-60*	364024	3.806	Rod, Metering
75-61*	364112	3.806	Rod, Metering
75-62*	364111	3.806	Rod, Metering
75-66*	364529	3.806	Rod, Metering
75-68*	364269	3.806	Rod, Metering
75-77*	364553	3.806	Rod, Metering
75-86*	364841	3.806	Rod, Metering
75-102*	837470	3.806	Rod, Metering
75-109*	600534	3.806	Rod, Metering
75-110*	600535	3.806	Rod, Metering
75-116*	837544	3.806	Rod, Metering
75-132*	837881	3.806	Rod, Metering
75-138*	837932	3.806	Rod, Metering
75-156*	601527	3.806	Rod, Metering
75-176*	838003	3.806	Rod, Metering
75-181*	602193	3.806	Rod, Metering
75-182*	602194	3.806	Rod, Metering
75-187*	602277	3.806	Rod, Metering

Identification Number	Part Number	Group Number	Name
75-193*	838087	3.806	Rod, Metering
75-209*	602539	3.806	Rod, Metering
75-210*	602538	3.806	Rod, Metering
75-248*	838595	3.806	Rod, Metering
75-290*	838790	3.806	Rod, Metering
75-342*	838970	3.806	Rod, Metering
75-361*	839024	3.806	Rod, Metering
75-377*	603632	3.806	Rod, Metering
75-378*	603687	3.806	Rod, Metering
75-381*	839064	3.806	Rod, Metering
75-485*	839577	3.806	Rod, Metering
75-508*	839623	3.806	Rod, Metering
75-517*	605554	3.806	Rod, Metering
75-518*	605562	3.806	Rod, Metering
75-562*	3669080	3.806	Rod, Metering
162-27	3704806	3.863	Jet
625-46*	839623	3.806	Rod, Metering
645-50*	837544	3.806	Rod, Metering
655-49*	605562	3.806	Rod, Metering
675-51*	837932	3.806	Rod, Metering
685-54*	601527	3.806	Rod, Metering

### Mixed Numbers

Identification Number	Part Number	Group Number	Name
2-795	600996	3.809	Gauge
7 Type A	5660833	6.508	Gear Steering
2-162	3710364	3.758	Valve
3-864S	3710365	3.759	Shaft
14-474S	3710366	3.752	Shaft
25-63S	3710369	3.814	Needle
51A-54	5942161	2.589	Lens
53A-276S	609331	3.845	Lever, Carb.
62-195S	3710371	3.733	Bracket
121-245	3710363	3.735	Gasket
149-112S*	3704805	3.862	Check
149-112S*	3704806	3.863	Jet
149-115S	3710367	3.862	Check
162-28	3710368	3.863	Jet
300A	5454126	4.650	Cylinder
300B	5454135	4.650	Cylinder
361J	5450929	4.650	Cylinder
361K	5450936	4.650	Cylinder
423A	5300972	4.663	Cover
538F	5394251	7.345	Absorber
538F	5519443	7.345	Absorber
561V-4-5C6	5519444	7.345	Absorber
561V-4-5F8	5394252	7.345	Absorber
626L116	603878	5.433	Cage
714L*	827131	2.041	Motor, Starter
738G	1858827	2.041	Motor, Starter
739A	1864489	2.041	Motor, Starter
843Z	5516239	7.345	Absorber
967U	5513639	7.345	Absorber
1000N*	5341400	7.345	Shock Abs.
1040L246	3651168	5.545	Flange
1050N	5513851	7.345	Shock Abs.
1052M	5394578	7.345	Absorber
1055F*	5394583	7.345	Absorber
1065V*	5394584	7.345	Absorber
1066T	5394579	7.345	Absorber
1066Z*	5394577	7.345	Absorber
1201A	5307484	7.345	Absorber
1201B	5307485	7.345	Shock Abs.
1201C*	5307490	7.345	Shock Abs.
1201D*	5307491	7.345	Shock Abs.
1201E	5342004	7.345	Shock Abs.

Identification Number	Part Number	Group Number	Name
1201F	5342005	7.345	Shock Abs.
1201G	5300188	7.345	Shock Abs.
1201H	5300189	7.345	Shock Abs.
1201L*	5328541	7.345	Shock Abs.
1201M*	5328542	7.345	Shock Abs.
1201N*	5328543	7.345	Shock Abs.
1201P*	5328544	7.345	Shock Abs.
1201R*	5328547	7.345	Shock Abs.
1201S*	5328548	7.345	Shock Abs.
1201T	5328549	7.345	Shock Abs.
1201U	5328550	7.345	Shock Abs.
1430C*	1054580	7.345	Shock Abs.
1430CA*	1054145	7.345	Shock Abs.
1430CA	1054144	7.345	Absorber
1430DA	1054146	7.345	Absorber
1430DA*	1054147	7.345	Shock Abs.
1430LA	1054420	7.345	Shock Abs.
1430LP	5352526	7.345	Shock Abs.
1430MA*	1054421	7.345	Shock Abs.
1430MP	5352527	7.345	Absorber
1431JA*	1054636	7.345	Shock Abs.
1431KA*	1054637	7.345	Shock Abs.
1431V	5307086	7.345	Shock Abs.
1431W	5307087	7.345	Shock Abs.
1431X	5307420	7.345	Shock Abs.
1431Y	5307421	7.345	Shock Abs.
1722C	1053138	7.345	Shock Abs.
1722D	1053139	7.345	Shock Abs.
1722E	1053142	7.345	Shock Abs.
1722F	1053143	7.345	Shock Abs.
1730A	1072707	7.345	Absorber
1730B	1072708	7.345	Absorber
1730C	5335934	7.345	Shock Abs.
1730D	5335935	7.345	Shock Abs.
1731C*	040784	7.345	Shock Abs.
1731D*	040786	7.345	Shock Abs.
1731T	1054424	7.345	Shock Abs.
1731U	1054425	7.345	Shock Abs.
1732N	1054930	7.345	Shock Abs.
1732P	1054931	7.345	Shock Abs.
2000V	5307020	7.345	Shock Abs.
2000W	5307021	7.345	Shock Abs.
2100A	5352104	7.345	Absorber
2100B	5352105	7.345	Shock Abs.
2200A*	5352102	7.345	Absorber
2200A*	5352102	6.162	Absorber
2200B*	5352103	6.162	Absorber
2200B*	5352103	7.345	Absorber
2233-F-110*	3682492	5.526	Gear
2233-Z-104	3682228	5.526	Pinion Gear
2234-K-63*	3651184	5.528	Gear
2234-K-63*	3651424	5.526	Gear
2234-T-202	3682526	5.528	Gear
2234-V-204	3682229	5.528	Gear, Diff.
2847J270	3651443	5.491	Lever
3100K193-18776	3656629	6.006	I Beam
3100Y389-18768*	3651918	6.006	I-Beam
3100Y389-18957	3651011	6.006	I-Beam
3122U177*	603765	6.103	Arm, Strg.
3122V542	604471	6.103	Arm, Strg.
3266-U-99	3686574	5.462	Cover, Pinion Brg.
3278-M-91	3682505	5.520	Spider
355919-20*	355919	5.152	Lever, Brake
355919-20*	355920	5.152	Lever, Brake
3800-N-430	3682531	5.505	Carrier
3812J-62*	607338	5.505	Carrier

Identification Number	Part Number	Group Number	Name
3835-C-263	610000	5.510	Case
3838-J-114	3682496	5.462	Cover and Cup
3866S71*	3651438	5.462	Cover
3866S71*	3651438	5.483	Cover
3866-Y-441*	3682484	5.462	Cover
3889K193*	609846	5.529	Ring Gear
3899M117*	603771	5.529	Ring Gear
3899M117*	603772	5.529	Ring Gear
3899M221-			
3890C-289	3707547	5.529	Gear Assy.
3890E213*	603772	5.529	Pinion
3890L222*	603771	5.529	Pinion
3890J270*	609846	5.529	Pinion
3891-F-604*	2205028	5.461	Pinion
3891-F-604*	3847040	5.478	Gear
3891-J-608*	3847024	5.478	Gear
3891-J-608*	2205027	5.461	Pinion
3891-K-635	3682539	5.461	Pinion
3891-K-635*	3847053	5.478	Gear
3891-L-636*	3847052	5.478	Gear
3891-L-636*	3682538	5.461	Pinion
3892-B-886*	3847053	5.478	Gear
3892-C-887*	3847052	5.478	Gear
3892-H-788*	3847024	5.478	Gear
3892-Y-831*	3847040	5.478	Gear
3897-X-336	3657342	5.545	Flange, Pinion
4543OR10*	1066226	7.345	Shock Abs.
4543OR13*	1066231	7.345	Shock Abs.
4567403-5	4567401	10.694	Weatherstrip, Door
4567404-6	4567402	10.694	Weatherstrip, Door
5800Y285*	607338	5.505	Carrier and Cap
F-110	603935	6.233	End, Tie Rod
F1-53*	928476	2.585	Lamp
F1-53*	5943220	2.589	Lens
F1-54	5942343	2.589	Lens
I-19941	591227	5.558	Flange, U.I.
KS V6-353	3708344	3.865	Governor
KS V6-367	3708336	3.865	Governor
KS-V 665-261	3693462	3.865	Governor
L1-53	5944018	2.670	Bracket
L1-54	3707021	2.662	Support
L2-51*	928358	2.700	Lamp
L2-51*	5940540	2.709	Lens
L-48*	928796	2.700	Lamp
L-48*	5942458	2.705	Bracket
L64*	603809	5.483	Cover
N118	603934	6.233	End, Tie Rod
P	3701486	0.646	Crankshaft
RTA	920175	2.662	Bracket
R1-53	928266	2.679	Lamp
RTB	927645	2.679	Lamp
X1-54	5941671	2.689	Lens

### Hyatt Bearings

Identification Number	Part Number	Group Number	Name
1305TA*	145443	5.484	Bearing
1305T*	125744	4.422	Bearing
1306TA*	144553	5.484	Bearing
1306T	178851	4.422	Bearing
5205T*	189436	5.484	Bearing
10790S	179291	6.530	Bearing
10983Z	178479	6.527	Bearing
10983R	178480	6.330	Bearing
11020Z*	173238	6.313	Bearing
11035Z*	7450034	6.313	Bearing
11360Z*	127861	5.536	Bearing
11410Z*	173241	6.311	Bearing

Identification Number	Part Number	Group Number	Name
11424Z*	7450131	6.311	Bearing
11445Z*	187434	5.536	Bearing
11630Z*	188932	5.855	Bearing
11786Y*	188930	5.536	Bearing
11786Y*	144525	5.855	Bearing
11820Z*	149399	5.536	Bearing
12051Z*	144527	5.855	Bearing
12051Z*	144535	5.855	Bearing
12235YK	7450320	5.855	Bearing
17090Z*	179290	6.527	Bearing
93322	142638	4.352	Bearing
93424C	141854	4.352	Bearing
99014	136312	4.352	Bearing
99026	127892	4.352	Bearing
305396ZD*	442093	5.447	Bearing
A11020*	173238	6.313	Bearing
A11035*	7450034	6.313	Bearing
A11360*	127861	5.536	Bearing
A11410*	173241	6.311	Bearing
A11424*	7450131	6.311	Bearing
A11445*	187434	5.536	Bearing
A11820*	148399	5.536	Bearing
A131224Z	7450336	6.313	Bearing
A305396*	442093	5.447	Bearing
B11630*	188932	5.855	Bearing
B11786*	144525	5.855	Bearing
C12051*	144535	5.855	Bearing
C125298WA	7450325	6.311	Bearing
D11786*	188930	5.536	Bearing
D12051*	144527	5.855	Bearing
IR1500	111120	5.855	Bearing
IR1502	111122	5.855	Bearing
KA11950Z	7450323	5.855	Bearing
KC11948Y	7450326	5.536	Bearing
OR1500	111119	5.855	Bearing
OR1502	111121	5.855	Bearing
OR1504	110320	5.484	Bearing
OR1506	125630	5.484	Bearing
OR1512	178298	5.855	Bearing
ORB1206	142260	4.422	Bearing
ORB1207	121856	4.422	Bearing
RA99028*	127891	4.422	Bearing
RA99000	141852	4.352	Bearing
U1305	145443	5.484	Bearing
U1306*	144553	5.484	Bearing
U5205*	189436	5.484	Bearing

### New Departure Bearings

Identification Number	Part Number	Group Number	Name
0100	902100	5.536	Bearing
0101	902101	5.536	Bearing
0103	902103	5.536	Bearing
1101	901101	5.855	Bearing
1105	901105	5.484	Bearing
1106*	901106	5.484	Bearing
1208	954493	4.355	Bearing
1305	954417	5.484	Bearing
1307	901307	5.484	Bearing
1309	901309	5.855	Bearing
3203	954378	2.306	Bearing
3204*	954521	2.306	Bearing
3205	903205	4.203	Bearing
3207	903207	4.408	Bearing
3208	590545	4.355	Bearing
3209L	954373	4.355	Bearing
3306	903306	4.408	Bearing

Identification Number	Part Number	Group Number	Name
3307	954390	4.408	Bearing
3307X1A	903307	4.408	Bearing
3407	903407	5.484	Bearing
5113	954494	5.447	Bearing
5125	954495	5.855	Bearing
5206	954452	5.447	Bearing
5207	905207	5.346	Bearing
5305	905305	5.447	Bearing
5306	954394	5.447	Bearing
5307	954454	5.447	Bearing
5309	954455	5.447	Bearing
7109	907109	0.649	Bearing
7506	954387	4.408	Bearing
20208*	954444	5.536	Bearing
20211*	954355	5.536	Bearing
41209	954358	4.355	Bearing
42108	954140	4.408	Bearing
43207	954388	4.355	Bearing
43208	954108	4.355	Bearing
43305	954168	4.408	Bearing
43307	954127	4.408	Bearing
43308	954164	4.422	Bearing
47106	954111	4.355	Bearing
909023*	909023	6.313	Bearing
909024*	909024	6.311	Bearing
909501*	909001	6.313	Bearing
909501*	909501	6.315	Cone
909502*	909002	6.311	Bearing
909502*	909502	6.314	Cone
909521*	909021	6.313	Bearing
909521*	909521	6.315	Cone
909522*	909022	6.311	Bearing
909522*	909522	6.314	Cone
909523	909523	6.315	Cone
909524	909524	6.314	Cone
909525*	909025	6.313	Bearing
909525*	909525	6.315	Cone
909526*	909026	6.311	Bearing
909526*	909526	6.314	Cone
909552*	909052	6.311	Bearing
909552*	909552	6.314	Cone
909601*	909001	6.313	Bearing
909601*	909601	6.317	Cup
909602*	909002	6.311	Bearing
909602*	909602	6.316	Cup
909602*	909052	6.311	Bearing
909621*	909021	6.313	Bearing
909621*	909621	6.317	Cup

Identification Number	Part Number	Group Number	Name
909622*	909022	6.311	Bearing
909622*	909622	6.316	Cup
909623	909623	6.317	Cup
909624	909624	6.316	Cone
909625*	909025	6.313	Bearing
909625*	909625	6.317	Cup
909626*	909026	6.311	Bearing
909626*	909626	6.316	Cup
909701*	909001	6.313	Bearing
909701*	909701	6.319	Separator Assy.
909702*	909002	6.311	Bearing
909702*	909702	6.318	Separator Assy.
909702*	909052	6.311	Bearing
909721*	909021	6.313	Bearing
909721*	909721	6.319	Separator Assy.
909722*	909022	6.311	Bearing
909722*	909722	6.318	Separator Assy.
909723	909723	6.319	Separator Assy.
909724	909724	6.318	Separator Assy.
909725*	909025	6.313	Bearing
909725*	909725	6.319	Separator Assy.
909726*	909026	6.311	Bearing
909726*	909726	6.318	Separator Assy.
CT22	909422	0.799	Bearing

### Timken Bearings

Identification Number	Part Number	Group Number	Name
455	115267	5.484	Bearing
3820	128248	5.447	Bearing
3875	147905	5.447	Bearing
49585	189538	5.484	Bearing
59200	173106	5.462	Bearing
59412	173105	5.462	Bearing
HM801310	455272	5.447	Cup
HM801346	455271	5.447	Cone
HM807010	451981	5.484	Cup
HM807046	454020	5.484	Cone
M3920	135495	5.536	Bearing
M49520	189637	5.484	Bearing
X-453X	111335	5.484	Bearing
X-3964	115231	5.536	Bearing
X-3994	435973	5.536	Bearing
X-6-A (Bower 6)	259782	6.527	Bearing



# PARTS HISTORY INDEX

**THIS INDEX IS ARRANGED NUMERICALLY  
IN PART NUMBER ORDER AND GIVES THE  
FOLLOWING INFORMATION:**

Parts removed from service . . . . . 370825—Removed 1-1-52

Parts transferred . . . . . 266741—Mix w/104918 1-1-52

Parts substituted . . . . . 370847—Use 3692278 1-1-52

Part Number	Disposition	Date	Part Number	Disposition	Date	Part Number	Disposition	Date
001385	Removed	1-1-54	264539	Removed	4-1-52	345591	Removed	1-10-53
037521	Removed	10-1-52	264840	Removed	6-1-52	345675	Removed	10-1-52
041121	Removed	1-10-53	265079	Use 5665807	10-1-53	345678	Removed	10-1-52
046262	Use 5307862	4-1-52	265316	Removed	6-1-52	345692	Removed	10-1-52
046313	Use 045373	1-1-52	265415	Removed	1-10-53	345715	Removed	1-10-53
049980	Use 045373	4-1-53	266741	Mix w/104918	1-1-52	345726	Removed	10-1-52
105451	Removed	10-1-52	266751	Removed	4-1-53	345747	Removed	1-1-52
108626	Removed	4-1-52	266752	Use 5663333	1-1-54	345751	Removed	4-1-52
111675	Removed	3-1-54	267797	Removed	7-1-53	345760	Removed	1-1-52
118831	Use 444613	1-1-52	270221	Use 270927	1-10-53	345771	Removed	1-10-53
120384	Use 131101	1-10-53	275277	Removed	4-1-52	345772	Removed	1-10-53
127891	Removed	4-1-53	276583	Removed	4-1-53	345773	Removed	10-1-52
131468	Mix w/131436	7-1-53	325791	Removed	1-1-52	345815	Removed	1-1-52
137407	Mix w/3690048	1-1-52	326528	Removed	10-1-52	345816	Removed	6-1-52
141852	Removed	10-1-52	328662	Removed	10-1-52	346020	Removed	10-1-52
145696	Removed	4-1-52	328668	Removed	4-1-53	346021	Removed	10-1-52
148543	Removed	1-1-54	328679	Removed	1-10-53	346681	Removed	10-1-52
179013	Removed	7-1-53	328683	Removed	1-10-53	346722	Removed	1-10-53
200119	Removed	10-1-52	328684	Removed	1-10-53	346732	Removed	1-10-53
259258	Removed	4-1-53	328906	Removed	4-1-52	346806	Removed	10-1-53
259266	Removed	1-10-53	334743	Removed	3-1-54	346862	Removed	7-1-53
261307	Removed	4-1-53	336543	Removed	1-10-53	348129	Use 3699727	1-1-52
261486	Removed	1-10-53	341451	Removed	10-1-53	348133	Removed	10-1-52
261546	Removed	1-10-53	341683	Removed	6-1-52	348134	Removed	4-1-53
261578	Use 5662798	4-1-52	341705	Removed	10-1-52	348308	Removed	3-1-54
261882	Removed	10-1-52	342134	Removed	10-1-52	348309	Removed	10-1-52
262694	Removed	1-10-53	342142	Removed	3-1-54	348520	Removed	1-1-52
262808	Removed	1-10-53	342569	Removed	1-10-53	348757	Removed	10-1-52
263008	Removed	10-1-53	342577	Removed	10-1-52	348903	Removed	10-1-52
263011	Removed	4-1-53	342639	Removed	10-1-52	350141	Removed	10-1-52
263382	Removed	7-1-53	343135	Use 609562	10-1-52	350142	Removed	10-1-52
263873	Mix w/266036	7-1-52	343897	Removed	1-10-53	350145	Removed	7-1-53
263874	Removed	7-1-53	344018	Removed	1-10-53	350147	Removed	1-10-53
263877	Removed	4-1-52	344042	Removed	10-1-52	350148	Removed	4-1-53
263949	Removed	4-1-53	344059	Removed	4-1-52	350177	Removed	4-1-53
263950	Removed	1-10-53	344089	Removed	1-1-52	350230	Removed	1-10-53
263951	Removed	1-10-53	344259	Removed	1-10-53	350232	Removed	10-1-52
264524	Removed	7-1-53	344989	Removed	10-1-52	350278	Use 359207	4-1-52

350295	Removed	10-1-52	355902	Removed	10-1-52	359422	Removed	4-1-53
350299	Removed	1-10-53	355905	Removed	4-1-52	359423	Removed	7-1-53
350322	Removed	3-1-54	355909	Removed	4-1-52	359426	Removed	6-1-52
350332	Removed	10-1-52	355912	Removed	10-1-51	359430	Removed	1-10-53
350348	Removed	10-1-53	355915	Removed	10-1-52	359432	Removed	1-1-52
350376	Removed	6-1-52	355916	Removed	10-1-52	359448	Removed	1-1-52
350391	Removed	10-1-52	356690	Removed	4-1-53	359468	Removed	1-10-53
350507	Removed	10-1-52	356876	Removed	6-1-52	359469	Removed	1-10-53
350526	Removed	10-1-53	356905	Removed	10-1-52	359484	Removed	10-1-52
350541	Removed	10-1-52	356935	Removed	1-1-52	359544	Removed	1-1-52
350542	Removed	10-1-52	357346	Use 3687726	1-10-53	359545	Removed	10-1-52
350607	Removed	10-1-52	357392	Removed	1-10-53	359546	Removed	10-1-52
350608	Removed	10-1-52	357404	Use 3707303	1-1-54	359548	Removed	10-1-52
350629	Removed	1-10-53	357493	Removed	1-10-53	359586	Removed	1-1-52
350680	Removed	10-1-52	357496	Removed	10-1-52	359717	Removed	10-1-52
350707	Removed	1-10-53	357584	Removed	1-1-54	359982	Removed	1-1-52
350708	Removed	1-10-53	357888	Removed	1-10-53	361191	Removed	10-1-52
350737	Removed	1-10-53	357589	Removed	1-10-53	361194	Removed	10-1-51
350738	Removed	1-10-53	357640	Removed	10-1-52	362291	Removed	4-1-53
350744	Removed	10-1-52	357647	Removed	1-10-53	362714	Removed	4-1-52
350765	Removed	10-1-52	357649	Removed	1-1-54	362855	Removed	10-1-52
350766	Removed	10-1-52	357655	Removed	1-10-53	362867	Removed	1-1-52
350772	Removed	1-10-53	357662	Removed	10-1-52	362881	Removed	10-1-52
350773	Removed	10-1-52	357663	Removed	10-1-52	362997	Removed	4-1-53
350774	Removed	10-1-52	357853	Removed	10-1-52	362999	Removed	4-1-53
350780	Removed	4-1-53	352904	Removed	10-1-52	363076	Removed	1-10-53
350791	Removed	10-1-52	357924	Removed	3-1-54	363185	Removed	6-1-52
350792	Removed	10-1-52	357928	Removed	10-1-52	363347	Removed	10-1-52
350938	Removed	1-10-53	357942	Removed	10-1-52	363383	Removed	10-1-52
350965	Removed	10-1-52	357947	Removed	10-1-52	363612	Removed	7-1-53
350966	Removed	10-1-52	357952	Removed	3-1-54	363647	Removed	10-1-52
350977	Removed	10-1-52	357964	Removed	10-1-52	363697	Removed	1-1-52
350978	Removed	10-1-52	357967	Removed	7-1-53	363914	Removed	7-1-53
350997	Removed	1-10-53	357971	Removed	4-1-52	364097	Removed	1-1-52
352147	Removed	10-1-52	357975	Removed	1-10-53	364129	Removed	10-1-52
352210	Removed	6-1-52	358044	Removed	10-1-52	364282	Removed	1-1-52
352216	Removed	6-1-52	358045	Removed	10-1-52	364287	Removed	1-1-52
352221	Removed	1-10-53	358071	Removed	1-10-53	364289	Removed	10-1-52
352223	Removed	1-10-53	359231	Removed	7-1-53	364292	Removed	10-1-52
352229	Removed	4-1-52	359270	Removed	1-10-53	364293	Removed	10-1-52
352249	Removed	4-1-52	359304	Removed	10-1-52	364314	Removed	10-1-52
352319	Removed	4-1-53	359305	Removed	1-10-53	364330	Removed	10-1-53
352569	Removed	6-1-52	359306	Removed	10-1-52	364354	Removed	1-10-53
352814	Removed	10-1-52	359312	Removed	10-1-52	364355	Removed	1-1-52
352968	Removed	10-1-52	359313	Removed	10-1-52	364396	Removed	3-1-54
353242	Removed	1-10-53	359316	Removed	10-1-52	364397	Removed	10-1-52
353294	Removed	3-1-54	359322	Removed	10-1-52	364439	Removed	1-10-53
353370	Removed	4-1-52	359344	Removed	10-1-53	364632	Removed	4-1-53
353469	Removed	10-1-52	359345	Removed	10-1-53	364836	Removed	1-10-53
353790	Removed	1-1-52	359347	Removed	10-1-52	364939	Removed	10-1-53
353862	Removed	7-1-53	359352	Removed	4-1-53	364940	Removed	10-1-52
354120	Removed	1-10-53	359353	Removed	10-1-52	364947	Removed	7-1-53
354340	Removed	1-10-53	359354	Removed	10-1-52	364986	Removed	10-1-53
354492	Removed	1-1-52	359355	Removed	10-1-52	364999	Removed	1-1-52
354453	Removed	1-1-52	359360	Removed	1-10-53	365026	Removed	7-1-53
354454	Removed	1-1-52	359367	Removed	10-1-52	365192	Removed	10-1-52
354564	Removed	10-1-53	359368	Removed	10-1-52	365325	Removed	10-1-52
354591	Removed	10-1-52	359382	Removed	1-1-52	365370	Use 3701092	7-1-53
354592	Removed	10-1-52	359383	Removed	1-1-52	365372	Removed	1-10-53
354626	Removed	4-1-53	359384	Removed	1-1-52	365379	Removed	6-1-52
354773	Removed	10-1-52	359385	Removed	1-1-52	365837	Removed	10-1-52
354790	Removed	4-1-53	359387	Removed	10-1-52	366006	Removed	1-1-54
354842	Removed	1-10-53	359388	Removed	10-1-52	366704	Removed	6-1-52
354860	Removed	1-10-53	359394	Removed	1-10-53	366782	Removed	10-1-52
354855	Removed	1-10-53	359395	Removed	10-1-52	366800	Removed	10-1-52
355373	Removed	1-10-53	359396	Removed	10-1-52	368801	Removed	10-1-52
355515	Removed	10-1-52	359397	Removed	1-10-53	366923	Removed	10-1-52
355543	Removed	1-10-53	359398	Removed	1-10-53	367021	Removed	1-10-53
355670	Removed	1-10-53	359420	Removed	1-10-53			

367143	Removed	1-10-53	373201	Removed	7-1-52	375361	Removed	10-1-52
367240	Removed	1-1-52	373223	Removed	10-1-53	375545	Removed	7-1-53
367241	Removed	7-1-53	373240	Removed	10-1-52	375546	Removed	7-1-53
367242	Removed	4-1-52	373269	Removed	4-1-52	375635	Removed	10-1-52
367244	Removed	10-1-52	373270	Removed	7-1-53	375645	Removed	10-1-52
367246	Removed	10-1-52	373325	Removed	10-1-52	375766	Removed	3-1-54
367247	Removed	1-1-52	373326	Removed	10-1-52	375866	Removed	7-1-53
367248	Removed	7-1-53	373381	Removed	1-1-52	375874	Removed	4-1-53
367249	Removed	7-1-53	373399	Removed	10-1-52	375879	Removed	3-1-54
367578	Removed	1-1-52	373432	Removed	6-1-52	375880	Removed	4-1-53
367614	Removed	6-1-52	373437	Removed	3-1-54	375881	Removed	3-1-54
367795	Removed	7-1-53	373461	Removed	4-1-53	375889	Removed	3-1-54
368229	Removed	10-1-52	373470	Removed	4-1-53	375971	Removed	10-1-52
368450	Removed	1-10-53	373493	Removed	1-1-52	375984	Removed	4-1-53
368456	Removed	1-1-52	373528	Removed	10-1-52	375985	Use 377311	1-1-52
368570	Removed	1-10-53	373557	Removed	10-1-52	376088	Removed	4-1-52
369387	Removed	1-10-53	373579	Removed	1-1-52	376125	Removed	10-1-52
369557	Removed	10-1-52	373616	Removed	3-1-54	376188	Removed	10-1-52
369787	Removed	10-1-53	373670	Removed	1-1-52	376391	Removed	10-1-52
369827	Removed	1-1-52	373687	Removed	10-1-52	376396	Removed	10-1-52
369896	Removed	10-1-52	373688	Removed	10-1-52	376643	Removed	10-1-52
370030	Removed	10-1-52	373689	Removed	10-1-52	376700	Removed	10-1-52
370034	Removed	1-1-54	373690	Removed	10-1-52	376730	Removed	3-1-54
370038	Removed	10-1-53	373895	Removed	1-1-52	376732	Removed	10-1-52
370039	Removed	1-1-52	373985	Removed	10-1-52	376834	Removed	10-1-52
370235	Removed	10-1-52	374013	Removed	4-1-53	377029	Removed	1-1-52
370247	Removed	10-1-52	374015	Removed	1-1-52	377067	Removed	1-1-52
370428	Removed	4-1-52	374052	Removed	10-1-52	377068	Removed	1-1-52
370469	Removed	1-1-52	374059	Removed	10-1-52	377086	Removed	4-1-53
370688	Removed	7-1-53	374068	Removed	1-1-52	377112	Removed	6-1-52
370706	Removed	10-1-52	374155	Removed	4-1-52	377143	Removed	7-1-53
370753	Removed	10-1-52	374233	Removed	10-1-52	377311	Removed	7-1-53
370754	Removed	10-1-52	374234	Removed	10-1-52	377313	Removed	1-1-52
370821	Removed	10-1-53	374235	Removed	1-1-52	377315	Removed	4-1-53
370824	Removed	10-1-52	374236	Removed	10-1-52	377349	Removed	1-1-52
370825	Removed	1-1-52	374327	Removed	10-1-52	377369	Removed	10-1-52
370847	Use 3692278	1-1-52	374328	Removed	10-1-52	377389	Removed	10-1-52
370933	Removed	10-1-52	374335	Removed	10-1-52	377651	Removed	10-1-52
370939	Removed	1-1-52	374372	Removed	10-1-52	377682	Removed	10-1-52
371046	Removed	1-1-52	374399	Removed	4-1-53	377661	Removed	10-1-52
371211	Removed	1-1-52	374412	Use 3688699	10-1-52	377741	Removed	10-1-53
371217	Removed	10-1-52	374422	Removed	4-1-53	377742	Removed	10-1-53
371557	Removed	10-1-52	374424	Removed	10-1-52	377808	Removed	1-1-52
371621	Removed	1-1-52	374489	Removed	1-1-52	377820	Removed	1-1-52
371622	Removed	4-1-53	374491	Removed	10-1-52	377823	Removed	1-1-52
371881	Removed	10-1-53	374530	Removed	4-1-53	377824	Removed	1-1-52
372078	Removed	1-1-52	374566	Removed	1-1-52	377831	Removed	10-1-52
372106	Removed	1-1-52	374604	Removed	1-1-52	377832	Removed	10-1-52
372218	Removed	4-1-53	374611	Removed	10-1-52	377835	Removed	1-1-52
372224	Removed	10-1-52	374615	Removed	4-1-53	377836	Removed	1-1-52
372228	Removed	10-1-53	374739	Removed	10-1-53	377838	Removed	1-1-52
372229	Removed	10-1-52	374763	Removed	4-1-53	377840	Removed	10-1-52
372243	Removed	4-1-53	374835	Removed	7-1-53	377841	Removed	7-1-53
372585	Removed	1-1-52	374843	Removed	10-1-52	377895	Removed	1-1-52
372650	Removed	1-1-52	374931	Removed	1-1-52	377913	Removed	10-1-53
372802	Removed	4-1-52	374967	Removed	7-1-53	377953	Removed	1-1-52
372837	Removed	10-1-52	374984	Removed	4-1-53	377955	Removed	1-1-52
372861	Removed	1-1-52	375011	Removed	3-1-54	377965	Removed	4-1-53
372862	Removed	1-1-52	375119	Removed	7-1-53	377967	Removed	4-1-53
372865	Removed	1-1-52	375121	Removed	4-1-53	378071	Removed	4-1-53
372866	Removed	1-1-52	375144	Removed	10-1-53	378073	Removed	10-1-53
372883	Removed	10-1-52	375147	Removed	10-1-52	378075	Removed	10-1-53
372884	Removed	10-1-52	375255	Removed	7-1-53	378078	Removed	10-1-52
372891	Removed	1-1-52	375275	Removed	1-1-52	378112	Removed	6-1-52
373001	Removed	10-1-52	375279	Removed	1-1-52	378151	Removed	10-1-52
373002	Removed	10-1-52	375335	Removed	10-1-52	378152	Removed	10-1-52
373070	Removed	10-1-52	375336	Removed	1-1-52	378171	Removed	10-1-52
373076	Removed	4-1-53	375354	Removed	10-1-52	378201	Removed	10-1-52
373095	Removed	10-1-52	375360	Removed	1-1-52			

378221	Removed	10-1-53	469311	Removed	7-1-53	473790	Removed	4-1-53
378271	Removed	10-1-52	469312	Removed	7-1-53	474039	Removed	10-1-52
378290	Removed	1-1-52	469524	Removed	4-1-53	474040	Removed	10-1-52
378292	Removed	1-1-52	469532	Removed	4-1-53	474150	Removed	4-1-52
378355	Removed	4-1-53	469549	Removed	4-1-53	474237	Removed	10-1-52
378519	Removed	10-1-52	469550	Removed	7-1-53	474423	Removed	4-1-52
378607	Removed	10-1-52	469553	Removed	10-1-53	474662	Removed	7-1-53
378608	Removed	4-1-53	469665	Removed	4-1-53	474715	Removed	4-1-53
378717	Removed	10-1-53	469981	Removed	10-1-53	474717	Removed	4-1-53
378718	Removed	10-1-53	469983	Removed	10-1-52	474757	Removed	4-1-53
378719	Removed	10-1-53	470083	Removed	10-1-52	474758	Removed	10-1-53
378720	Removed	10-1-53	470084	Removed	10-1-52	474795	Removed	4-1-52
378723	Removed	7-1-53	470163	Removed	1-1-52	474853	Removed	4-1-53
378729	Removed	3-1-54	470164	Removed	1-1-52	474874	Removed	10-1-52
378775	Removed	4-1-53	470351	Removed	1-1-52	474889	Removed	4-1-53
378800	Removed	4-1-53	470352	Removed	1-1-52	474890	Removed	4-1-53
378806	Removed	4-1-53	470436	Removed	4-1-53	474892	Removed	6-1-52
378807	Removed	1-1-52	470489	Removed	1-10-53	474993	Removed	10-1-52
378811	Removed	10-1-52	470490	Removed	10-1-52	474994	Removed	10-1-52
378844	Removed	1-1-52	470503	Removed	1-1-52	475069	Removed	10-1-53
378851	Removed	7-1-53	470504	Removed	1-1-52	475107	Removed	4-1-52
378853	Removed	4-1-53	470533	Removed	4-1-53	475109	Removed	10-1-52
378854	Removed	10-1-52	470534	Removed	4-1-53	475118	Removed	1-1-52
378911	Removed	4-1-53	470799	Removed	10-1-53	475125	Removed	10-1-52
378918	Removed	10-1-52	470800	Removed	10-1-53	475126	Removed	10-1-52
378975	Removed	10-1-53	470985	Removed	4-1-53	475131	Removed	1-1-52
378980	Removed	10-1-52	470986	Removed	4-1-53	475179	Removed	10-1-52
378981	Removed	1-1-52	471082	Removed	4-1-53	475305	Removed	4-1-53
378990	Removed	3-1-54	471083	Removed	1-1-52	475316	Removed	1-10-53
379147	Removed	10-1-52	471104	Removed	10-1-52	475325	Removed	10-1-52
379148	Removed	10-1-52	471134	Removed	4-1-53	475355	Removed	10-1-52
379258	Removed	10-1-52	471292	Removed	4-1-53	475359	Removed	10-1-53
379305	Removed	10-1-52	471293	Removed	4-1-53	475380	Removed	7-1-51
379326	Removed	1-1-52	471294	Removed	4-1-53	475381	Removed	4-1-52
379453	Removed	4-1-53	472522	Removed	7-1-53	475413	Removed	10-1-52
379749	Removed	7-1-53	472538	Removed	4-1-53	475415	Removed	10-1-52
379785	Removed	10-1-52	472842	Use 3707301	1-1-54	475454	Removed	10-1-52
379839	Removed	1-1-52	472598	Removed	4-1-53	475535	Removed	1-10-53
379841	Removed	10-1-52	472612	Removed	1-1-52	475550	Removed	7-1-53
379842	Removed	10-1-53	472620	Removed	4-1-52	475564	Removed	10-1-52
379916	Removed	10-1-53	472623	Removed	7-1-53	475565	Removed	7-1-53
379993	Removed	4-1-53	472656	Removed	10-1-52	475655	Removed	10-1-52
379995	Removed	10-1-53	472657	Removed	10-1-52	475656	Removed	10-1-52
394966	Removed	1-1-52	472663	Removed	10-1-53	475699	Removed	4-1-53
409184	Removed	10-1-52	472668	Removed	1-1-52	475702	Removed	1-1-54
419438	Removed	1-1-53	472674	Removed	4-1-52	475703	Removed	7-1-53
431616	Use 431615	4-1-53	472676	Removed	10-1-52	475755	Removed	10-1-52
445947	Removed	1-10-53	472737	Removed	1-1-52	475781	Removed	10-1-52
460001	Removed	10-1-53	473009	Removed	10-1-52	475782	Removed	7-1-53
460002	Removed	10-1-53	473360	Removed	4-1-53	475784	Removed	7-1-53
460054	Removed	4-1-53	473373	Removed	6-1-52	475823	Removed	10-1-52
460059	Removed	4-1-53	473459	Removed	10-1-52	475824	Removed	4-1-53
460060	Removed	4-1-53	473460	Removed	10-1-52	475829	Removed	1-1-52
460230	Removed	10-1-53	473505	Removed	3-1-54	475841	Removed	1-1-52
462988	Removed	10-1-53	473536	Removed	4-1-53	476020	Removed	4-1-53
463535	Removed	10-1-53	473557	Removed	10-1-52	476041	Removed	10-1-53
463536	Removed	10-1-52	473558	Removed	10-1-52	476048	Removed	10-1-53
463580	Removed	1-1-52	473562	Removed	4-1-52	476053	Removed	4-1-52
463977	Removed	4-1-53	473572	Removed	10-1-52	476054	Removed	4-1-52
463978	Removed	4-1-53	473574	Removed	3-1-54	476066	Removed	10-1-53
463997	Removed	4-1-53	473581	Removed	4-1-53	476067	Removed	4-1-53
464067	Removed	10-1-52	473624	Removed	7-1-53	476071	Removed	4-1-52
465755	Removed	10-1-52	473638	Removed	7-1-53	476074	Removed	4-1-52
466847	Removed	10-1-53	473660	Removed	10-1-52	476075	Removed	4-1-52
466848	Removed	10-1-53	473662	Removed	3-1-54	476096	Removed	1-1-52
467405	Removed	1-1-52	473672	Removed	10-1-53	476151	Removed	1-1-52
467406	Removed	1-1-52	473737	Removed	4-1-53	476153	Removed	4-1-53
467433	Removed	10-1-52	473774	Removed	7-1-53	476160	Removed	4-1-53
469159	Removed	4-1-52	473785	Removed	4-1-52			



476161	Removed	1-1-52	495934	Removed	10-1-52	592652	Removed	1-1-52
476171	Removed	7-1-53	501301	Removed	1-1-54	592681	Removed	7-1-53
476173	Removed	4-1-53	501315	Removed	1-1-54	592699	Removed	10-1-53
476177	Removed	4-1-53	504329	Use 3691000	1-1-52	592832	Removed	10-1-52
476179	Removed	4-1-53	513066	Use 514339	6-1-52	592833	Removed	7-1-53
476182	Removed	10-1-53	514339	Use 516506	7-1-52	592907	Removed	1-1-52
476196	Removed	10-1-52	550719	Removed	1-1-52	592908	Removed	1-1-52
476199	Removed	10-1-52	551524	Removed	10-1-52	593109	Removed	4-1-53
476201	Removed	10-1-52	551932	Removed	7-1-53	593347	Removed	6-1-52
476203	Removed	1-1-52	551938	Removed	10-1-52	593383	Removed	7-1-53
476205	Removed	10-1-52	551967	Removed	7-1-53	593384	Removed	7-1-53
476208	Removed	10-1-53	552542	Removed	7-1-53	593582	Removed	4-1-52
476210	Removed	4-1-53	552561	Removed	4-1-53	593604	Removed	7-1-53
476212	Removed	1-1-52	560176	Use 561094	1-1-52	593605	Removed	4-1-53
476213	Removed	10-1-52	590210	Removed	7-1-53	593654	Removed	4-1-53
476214	Removed	10-1-52	590214	Removed	10-1-52	593659	Removed	10-1-52
476215	Removed	10-1-52	590283	Removed	10-1-52	593696	Removed	10-1-52
476218	Removed	10-1-53	590284	Removed	4-1-53	593713	Removed	4-1-53
476219	Removed	10-1-52	590307	Removed	10-1-53	593723	Removed	10-1-52
476220	Removed	7-1-53	590334	Removed	10-1-52	593734	Removed	3-1-54
476221	Removed	10-1-53	590337	Removed	4-1-53	593840	Use 597327	4-1-52
476223	Removed	10-1-53	590338	Removed	3-1-54	593914	Use 350251	7-1-53
476224	Removed	4-1-53	590341	Removed	4-1-53	593915	Use 350251	4-1-52
476229	Removed	10-1-52	590343	Removed	1-1-52	593929	Removed	10-1-52
476230	Removed	10-1-52	590345	Removed	1-1-52	593934	Removed	10-1-53
476235	Removed	7-1-53	590382	Removed	7-1-53	593939	Removed	10-1-52
476236	Removed	10-1-52	590357	Removed	10-1-52	593943	Removed	4-1-53
476238	Removed	10-1-52	590366	Removed	7-1-53	593944	Removed	7-1-53
476239	Removed	10-1-52	590375	Removed	4-1-53	593969	Removed	10-1-52
476241	Removed	10-1-52	590377	Removed	3-1-54	593981	Removed	4-1-53
476243	Removed	4-1-53	590382	Removed	10-1-52	593991	Removed	3-1-54
476246	Removed	10-1-52	590406	Removed	4-1-53	594055	Removed	10-1-53
476248	Removed	10-1-52	590448	Removed	1-10-53	594070	Removed	1-10-53
476252	Removed	10-1-52	590451	Removed	4-1-53	594099	Removed	4-1-53
476253	Removed	10-1-53	590547	Removed	4-1-53	594104	Removed	10-1-53
476260	Removed	7-1-53	590561	Removed	7-1-53	594106	Removed	10-1-53
476299	Removed	10-1-53	590588	Removed	4-1-53	594107	Use 3847453	4-1-52
476336	Removed	7-1-53	590596	Removed	10-1-53	594108	Removed	10-1-52
476342	Removed	10-1-52	590722	Removed	10-1-53	594121	Use 181680	4-1-52
476343	Removed	10-1-52	590798	Removed	10-1-53	594123	Use 3701135	1-10-53
476420	Use 594447	4-1-53	590805	Removed	7-1-53	594125	Use 3689808	4-1-52
476422	Removed	4-1-53	590811	Removed	4-1-53	594171	Removed	10-1-52
476425	Removed	10-1-52	590957	Removed	1-1-54	594175	Removed	10-1-52
476444	Removed	3-1-54	591004	Removed	10-1-52	594178	Removed	10-1-52
476463	Removed	10-1-52	591118	Removed	7-1-53	594198	Removed	10-1-52
476488	Removed	4-1-53	591177	Removed	10-1-53	594200	Removed	10-1-52
476565	Removed	4-1-53	591238	Use 591237	10-1-52	594203	Removed	10-1-52
476587	Removed	4-1-53	591476	Use 3704888	1-1-54	594204	Removed	10-1-52
476600	Removed	10-1-52	591618	Use 591219	4-1-53	594221	Removed	10-1-53
476607	Removed	1-10-53	591619	Use 591219	6-1-52	594231	Removed	10-1-52
476612	Removed	10-1-52	591666	Use 591908	1-1-52	594232	Removed	10-1-52
476638	Removed	10-1-53	591745	Use 3701204	6-1-52	594233	Removed	4-1-53
476661	Removed	3-1-54	591752	Use 591859	10-1-53	594294	Removed	1-10-53
476700	Use 3694711	1-1-52	592081	Removed	10-1-53	594257	Removed	10-1-53
476931	Removed	10-1-52	592089	Removed	4-1-53	594265	Removed	4-1-52
476932	Removed	10-1-52	592145	Removed	3-1-54	594278	Removed	7-1-53
476986	Removed	10-1-52	592146	Removed	3-1-54	594308	Use 597328	1-10-53
477020	Removed	1-1-52	592237	Removed	10-1-52	594340	Removed	4-1-52
477021	Removed	4-1-52	592241	Use { 604912	1-1-52	594350	Removed	4-1-53
477022	Removed	1-1-52		3847658		594356	Removed	10-1-52
477092	Removed	4-1-52	592367	Removed	10-1-52	594366	Removed	1-1-52
477143	Removed	1-1-52	592392	Removed	7-1-53	594367	Removed	1-1-52
477144	Removed	1-1-52	592406	Removed	10-1-53	594453	Use 599748	4-1-52
477209	Removed	1-1-52	592435	Removed	4-1-53	594477	Removed	4-1-53
477347	Removed	3-1-54	592466	Removed	10-1-53	594505	Removed	10-1-52
477462	Removed	7-1-53	592478	Removed	7-1-53	594507	Removed	10-1-52
477467	Removed	4-1-53	592478	Removed	1-1-52	594521	Removed	4-1-52
477473	Removed	4-1-53	592511	Removed	10-1-52	594523	Removed	10-1-52
495933	Removed	10-1-52	592561	Removed	1-1-52			

594526	Removed	10-1-52	597130	Removed	4-1-52	599537	Removed	1-10-53
594535	Removed	7-1-53	597136	Use 3701092	10-1-52	599547	Removed	4-1-52
594540	Removed	4-1-52	597167	Removed	4-1-53	599583	Removed	10-1-53
594551	Removed	10-1-53	597279	Removed	7-1-53	599593	Removed	1-1-54
594553	Removed	10-1-52	597319	Removed	10-1-52	599594	Removed	3-1-54
594561	Removed	10-1-52	597320	Removed	10-1-52	599638	Removed	4-1-53
594562	Removed	10-1-52	597411	Removed	10-1-52	599691	Removed	4-1-53
594575	Removed	4-1-53	597413	Removed	10-1-52	599692	Removed	4-1-53
594576	Removed	4-1-53	597414	Removed	10-1-52	599697	Removed	10-1-52
594582	Removed	1-1-52	597429	Removed	4-1-53	599723	Removed	4-1-53
594621	Removed	10-1-53	597451	Removed	7-1-53	599741	Removed	1-1-52
594670	Removed	10-1-53	597466	Removed	4-1-52	599854	Use 3704844	10-1-53
594699	Removed	3-1-54	597472	Removed	10-1-52	599885	Use 3693214	1-1-52
594719	Removed	7-1-53	597498	Removed	1-1-52	599911	Removed	10-1-52
594720	Removed	4-1-53	597523	Removed	10-1-53	599912	Removed	10-1-52
594771	Removed	10-1-52	597524	Removed	3-1-54	600162	Removed	4-1-53
594773	Removed	4-1-52	597533	Removed	10-1-53	600180	Removed	7-1-53
594776	Removed	4-1-52	597551	Removed	10-1-52	600192	Removed	6-1-52
594834	Removed	4-1-53	597559	Removed	4-1-53	600197	Removed	10-1-52
594935	Removed	1-1-52	597606	Removed	10-1-53	600213	Removed	10-1-52
594984	Removed	4-1-53	597612	Removed	10-1-52	600232	Removed	10-1-52
594975	Removed	4-1-53	597660	Removed	4-1-53	600246	Removed	4-1-53
594978	Removed	3-1-54	597662	Removed	1-1-52	600247	Removed	4-1-53
595039	Removed	10-1-52	597719	Removed	10-1-52	600261	Removed	10-1-52
595050	Removed	10-1-53	597753	Removed	4-1-53	600268	Removed	4-1-53
595142	Removed	10-1-52	597778	Removed	10-1-52	600323	Removed	10-1-52
595315	Removed	4-1-53	597833	Removed	10-1-53	600333	Removed	6-1-52
595316	Removed	10-1-52	597859	Removed	4-1-53	600334	Removed	6-1-52
595317	Removed	10-1-52	597860	Removed	4-1-53	600335	Removed	10-1-52
595318	Removed	10-1-52	597863	Removed	10-1-52	600336	Removed	10-1-52
595360	Removed	3-1-54	597865	Removed	10-1-52	600359	Removed	4-1-53
595438	Removed	3-1-54	597867	Removed	4-1-53	600373	Removed	10-1-52
595497	Use 181666	1-1-52	597971	Removed	7-1-53	600374	Removed	10-1-52
595554	Use 359207	4-1-52	598125	Removed	4-1-52	600451	Removed	10-1-52
595668	Removed	4-1-53	598126	Removed	4-1-52	600452	Removed	10-1-52
595669	Removed	10-1-52	598198	Removed	10-1-52	600461	Removed	10-1-52
595693	Removed	10-1-52	598626	Use 598598	4-1-53	600534	Removed	10-1-52
595694	Removed	3-1-54	598651	Removed	7-1-53	600542	Removed	4-1-53
595699	Removed	1-10-53	598713	Removed	3-1-54	600660	Removed	10-1-52
595739	Removed	10-1-52	598714	Removed	7-1-53	600687	Removed	10-1-52
595741	Use 3702198	4-1-53	598740	Removed	3-1-54	600691	Removed	10-1-52
595763	Removed	1-1-52	598800	Removed	4-1-52	600692	Removed	10-1-52
595764	Removed	1-1-52	598821	Removed	10-1-53	600693	Removed	10-1-52
595843	Removed	3-1-54	598822	Removed	1-10-53	600725	Removed	10-1-52
595844	Removed	3-1-54	598857	Removed	10-1-53	600740	Removed	10-1-52
595850	Removed	10-1-52	598873	Removed	3-1-54	600786	Removed	10-1-53
595860	Removed	3-1-54	598874	Removed	3-1-54	600876	Removed	10-1-52
595892	Removed	10-1-52	598896	Removed	4-1-53	600901	Removed	4-1-52
595904	Use 3703782	10-1-53	598987	Removed	4-1-53	600902	Removed	6-1-52
595958	Removed	7-1-53	599094	Removed	10-1-52	600971	Removed	4-1-52
595999	Removed	4-1-53	599139	Use 3653925	4-1-52	601141	Removed	10-1-52
596176	Removed	10-1-53	599225	Use 599843	7-1-53	601227	Removed	10-1-52
596211	Removed	10-1-52	599246	Use 3687643	1-1-52	601228	Removed	10-1-52
596289	Removed	4-1-53	599289	Removed	4-1-53	601250	Removed	7-1-53
596305	Removed	10-1-52	599319	Removed	6-1-52	601262	Removed	10-1-52
596310	Removed	10-1-52	599363	Removed	1-1-54	601265	Removed	10-1-53
596313	Removed	3-1-54	599399	Removed	4-1-53	601269	Removed	10-1-52
596415	Removed	1-1-52	599429	Removed	4-1-53	601270	Removed	4-1-52
596416	Removed	1-1-52	599468	Use 599507	7-1-53	601270	Removed	4-1-52
596561	Removed	4-1-52	599469	Removed	7-1-53	601283	Removed	6-1-52
596638	Removed	1-1-52	599471	Removed	10-1-52	601284	Removed	6-1-52
596642	Removed	10-1-52	599474	Removed	4-1-52	601305	Removed	7-1-53
596696	Use 3693836	4-1-52	599508	Removed	7-1-52	601317	Removed	4-1-52
596731	Removed	4-1-53	599511	Removed	10-1-53	601348	Use 3651972	6-1-52
596833	Removed	10-1-52	599512	Removed	10-1-53	601429	Removed	3-1-54
596857	Use 5841505	10-1-53	599513	Removed	10-1-53	601442	Removed	1-1-52
596886	Removed	4-1-53	599514	Removed	10-1-53	601508	Removed	1-1-52
596900	Removed	4-1-53	599516	Removed	3-1-54	601515	Use 603076	4-1-53
597121	Removed	10-1-52	599532	Removed	4-1-53	601537	Removed	10-1-52

601556	Removed	10-1-52	603036	Removed	10-1-52	604270	Removed	6-1-52
601572	Removed	4-1-53	603089	Removed	10-1-53	604290	Removed	4-1-53
601608	Removed	10-1-52	603100	Removed	10-1-52	604304	Use 604302	7-1-53
601623	Removed	3-1-54	603101	Removed	10-1-52	604306	Use 604302	7-1-53
601739	Removed	10-1-52	603104	Removed	1-1-52	604308	Use 604302	7-1-53
601810	Removed	10-1-52	603190	Removed	10-1-52	604386	Removed	4-1-53
601837	Removed	10-1-53	603335	Use 3847338	4-1-52	604389	Removed	4-1-53
601861	Removed	10-1-52	603355	Removed	4-1-53	604391	Removed	3-1-54
601862	Removed	10-1-52	603423	Removed	3-1-54	604393	Removed	4-1-53
601863	Removed	10-1-52	603425	Removed	4-1-53	604394	Removed	10-1-53
601870	Removed	10-1-52	603427	Removed	4-1-53	604395	Removed	10-1-53
601871	Removed	8-1-52	603428	Removed	4-1-53	604396	Removed	4-1-53
601925	Removed	10-1-52	603429	Removed	4-1-53	604398	Use 3705430	10-1-53
601953	Removed	6-1-52	603430	Removed	10-1-53	604399	Use 3705439	7-1-53
601954	Removed	6-1-52	603433	Removed	4-1-53	604429	Removed	4-1-53
601955	Removed	10-1-52	603435	Removed	4-1-53	604431	Removed	4-1-53
601956	Removed	10-1-52	603436	Removed	4-1-53	604433	Removed	4-1-53
601971	Removed	10-1-52	603469	Removed	4-1-52	604435	Removed	4-1-53
601973	Removed	10-1-52	603519	Removed	4-1-53	604443	Removed	4-1-53
601976	Removed	10-1-52	603540	Removed	1-10-53	604467	Removed	1-10-53
601977	Removed	10-1-52	603629	Removed	4-1-53	604483	Removed	4-1-53
602004	Removed	3-1-54	603632	Removed	10-1-52	604488	Removed	10-1-52
602012	Removed	7-1-53	603667	Use 605333	4-1-51	604590	Removed	6-1-52
602018	Removed	1-1-52	603669	Removed	4-1-53	604602	Removed	1-10-53
602021	Removed	1-1-52	603687	Removed	4-1-53	604623	Removed	10-1-53
602022	Removed	1-1-52	603690	Use 3690880	4-1-52	604624	Removed	7-1-53
602023	Removed	1-1-52	603720	Removed	10-1-53	604625	Removed	4-1-53
602077	Removed	10-1-52	603722	Removed	4-1-53	604637	Removed	4-1-52
602102	Removed	4-1-53	603725	Removed	4-1-52	604662	Removed	1-1-53
602146	Removed	4-1-53	603738	Removed	4-1-52	604671	Removed	4-1-53
602190	Removed	10-1-52	603758	Removed	10-1-52	604672	Removed	4-1-53
602193	Removed	10-1-52	603762	Removed	7-1-53	604979	Use 3683595	4-1-53
602273	Mix w/3699176	1-1-52	603764	Removed	7-1-53	604980	Use 3656514	4-1-52
602277	Removed	10-1-52	603767	Removed	4-1-53	604987	Removed	4-1-52
602283	Removed	10-1-52	603780	Removed	4-1-53	605033	Removed	4-1-53
602286	Use 602809	1-10-53	603842	Removed	10-1-53	605178	Use 3689176	6-1-52
602287	Use 602810	4-1-53	603871	Removed	3-1-54	605191	Use (3701164	10-1-53
602288	Use 602811	4-1-53	603886	Removed	3-1-54		3692121	
602370	Removed	1-1-54	603880	Removed	4-1-53	605262	Removed	4-1-52
602433	Removed	4-1-52	603887	Removed	1-10-53	605264	Use 605280	4-1-53
602485	Removed	10-1-52	603896	Removed	10-1-52	605265	Use 605281	4-1-53
602488	Removed	10-1-52	603897	Removed	10-1-52	605278	Removed	1-1-54
602496	Removed	10-1-52	603898	Removed	4-1-52	605344	Removed	4-1-53
602534	Removed	7-1-53	603899	Removed	10-1-52	605354	Removed	1-1-54
602538	Removed	6-1-52	603901	Removed	3-1-54	605367	Removed	10-1-53
602539	Removed	3-1-54	603912	Removed	3-1-54	605368	Removed	4-1-53
602542	Use 3652176	1-1-54	603906	Removed	6-1-52	605369	Removed	3-1-54
602563	Removed	3-1-54	603908	Removed	10-1-53	605371	Removed	10-1-53
602564	Removed	4-1-53	603909	Removed	4-1-52	605373	Removed	10-1-53
602565	Removed	4-1-53	603911	Removed	1-10-53	605410	Removed	10-1-52
602566	Removed	4-1-53	603914	Removed	1-1-52	605428	Removed	4-1-53
602590	Removed	10-1-52	603915	Removed	4-1-52	605430	Removed	10-1-52
602592	Removed	10-1-52	603916	Removed	1-10-53	605564	Removed	10-1-53
602593	Removed	10-1-52	603919	Removed	1-10-53	605616	Removed	4-1-53
602594	Removed	10-1-52	603920	Removed	10-1-52	605643	Removed	1-10-53
602595	Removed	1-1-52	603922	Removed	10-1-52	605645	Removed	1-10-53
602596	Removed	10-1-52	603928	Removed	3-1-54	605646	Removed	3-1-54
602697	Use 602806	1-10-53	603930	Removed	3-1-54	605647	Removed	3-1-54
602758	Removed	10-1-52	603931	Removed	1-10-53	605649	Removed	3-1-54
602773	Removed	10-1-53	603983	Removed	4-1-53	605655	Removed	3-1-54
602774	Removed	10-1-52	604026	Removed	1-1-52	605929	Removed	1-1-54
602846	Removed	10-1-52	604027	Removed	1-1-52	606077	Removed	3-1-54
602963	Removed	10-1-52	604125	Removed	4-1-53	606096	Removed	3-1-54
602964	Removed	10-1-52	604126	Removed	10-1-52	606140	Removed	10-1-53
602971	Removed	4-1-53	604127	Removed	10-1-52	606305	Removed	7-1-53
602972	Removed	4-1-53	604151	Removed	10-1-52	606306	Removed	4-1-53
602974	Removed	4-1-53	604153	Removed	10-1-52	606311	Removed	7-1-53
602985	Removed	10-1-53	604157	Removed	1-1-52	606312	Removed	7-1-53
603009	Mix w/3699042	1-1-52	604253	Removed	1-10-53			

606313	Removed	4-1-53	754839	Use 755867	4-1-52	836296	Removed	10-1-52
606324	Removed	3-1-54	756189	Use 758239	4-1-52	836300	Removed	7-1-52
606325	Removed	1-10-53	756190	Use 758298	7-1-53	836302	Removed	4-1-52
606326	Removed	10-1-52	756796	Use 758104	1-1-52	836364	Removed	10-1-53
606327	Removed	10-1-52	756800	Use 757518	4-1-52	836365	Removed	4-1-53
606328	Removed	1-10-53	756837	Use 758751	1-10-53	836468	Removed	10-1-52
606331	Removed	3-1-54	756850	Removed	1-10-53	836494	Removed	4-1-52
606332	Removed	1-10-53	756851	Removed	1-10-53	836511	Removed	7-1-53
606333	Removed	1-10-53	757008	Use 759038	7-1-53	836561	Removed	1-1-52
606334	Removed	3-1-54	757009	Use 759037	7-1-53	836579	Removed	4-1-53
606335	Removed	1-10-53	757515	Mix w/758251	4-1-53	836580	Removed	7-1-53
606397	Use 606396	10-1-52	757521	Use 758058	1-10-53	836596	Removed	4-1-53
606399	Removed	3-1-54	757704	Use 758757	1-10-53	836622	Removed	10-1-53
606428	Removed	10-1-53	757804	Use 758293	10-1-52	836646	Removed	10-1-52
606452	Removed	10-1-53	757816	Mix w/758286	1-1-52	836654	Removed	4-1-53
606464	Removed	4-1-52	757898	Use 758295	10-1-53	836670	Removed	10-1-52
606803	Removed	10-1-52	758286	Use 758597	4-1-53	836673	Removed	10-1-52
606812	Use 3707592	7-1-53	758595	Use 758604	10-1-53	836681	Removed	4-1-52
607308	Removed	1-10-53	759038	Mix/w 759230	10-1-53	836698	Removed	4-1-52
607309	Use 3691417	3-1-54	802691	Use 804076	10-1-52	836700	Removed	10-1-52
607310	Removed	10-1-52	805727	Removed	10-1-52	836701	Removed	4-1-53
607874	Removed	4-1-53	807716	Removed	4-1-52	836724	Removed	4-1-52
607878	Removed	4-1-53	808949	Removed	10-1-52	836730	Removed	4-1-52
608162	Removed	6-1-52	808950	Removed	10-1-52	836773	Removed	4-1-52
608770	Use 3847024	10-1-53	809593	Use 817313	6-1-52	836774	Removed	4-1-53
608834	Removed	3-1-54	809642	Removed	10-1-53	836778	Removed	7-1-53
609014	Removed	10-1-52	809658	Removed	3-1-54	836787	Removed	4-1-52
609015	Removed	1-10-53	809688	Removed	10-1-52	836840	Removed	7-1-53
609027	Use 3847095	10-1-52	811124	Removed	10-1-52	836858	Removed	4-1-52
609304	Removed	4-1-52	812496	Removed	10-1-52	836892	Removed	4-1-52
609359	Use 3676577 3699494	1-1-52	812712	Removed	10-1-53	836897	Removed	1-1-52
609391	Removed	4-1-53	813046	Removed	10-1-52	836900	Removed	4-1-52
609430	Removed	4-1-52	813158	Removed	10-1-52	836923	Removed	10-1-53
609499	Removed	1-1-52	816801	Removed	10-1-52	836924	Removed	4-1-53
609500	Removed	1-1-52	816806	Use 1882247	10-1-53	836969	Removed	4-1-53
609507	Removed	1-1-52	817532	Removed	4-1-52	836977	Removed	7-1-53
609508	Removed	1-1-52	820991	Removed	7-1-53	836988	Removed	7-1-53
609606	Removed	7-1-53	821604	Removed	1-10-53	837001	Removed	4-1-53
609607	Removed	1-1-53	826474	Removed	1-1-52	837010	Removed	4-1-52
609717	Removed	1-1-53	827688	Removed	7-1-53	837053	Removed	4-1-52
609720	Removed	10-1-53	827734	Removed	7-1-53	837088	Removed	4-1-52
609728	Removed	1-1-53	828629	Removed	3-1-54	837114	Use 837662	1-10-53
609778	Use 3691418	6-1-52	835526	Removed	4-1-53	837124	Removed	10-1-53
609791	Use 3690336	1-1-52	835558	Removed	10-1-52	837132	Removed	10-1-52
609812	Removed	1-1-53	835636	Removed	10-1-52	837143	Removed	1-10-53
609828	Mix w/3699602	1-1-52	835714	Removed	7-1-53	837147	Removed	10-1-52
609856	Mix/w 3681456	4-1-52	835724	Removed	10-1-52	837150	Removed	10-1-52
609858	Mix w/3681686	6-1-52	835741	Removed	4-1-52	837171	Removed	10-1-52
609884	Removed	1-10-53	835750	Removed	10-1-52	837179	Removed	3-1-54
609910	Removed	10-1-53	835758	Removed	7-1-53	837180	Removed	10-1-53
609934	Removed	1-1-52	835759	Removed	7-1-53	837209	Removed	10-1-52
609986	Removed	10-1-53	835837	Removed	10-1-52	837229	Removed	3-1-54
678235	Removed	1-1-54	835843	Removed	4-1-52	837279	Removed	10-1-52
750996	Removed	1-1-52	835905	Removed	3-1-54	837285	Removed	1-1-52
750997	Removed	10-1-52	836077	Removed	1-1-54	837297	Removed	10-1-52
752469	Removed	10-1-53	836129	Removed	4-1-52	837328	Removed	3-1-54
753399	Removed	10-1-52	836132	Removed	4-1-52	837350	Removed	10-1-52
753522	Removed	10-1-52	836133	Removed	10-1-52	837402	Removed	10-1-52
753730	Removed	10-1-53	836135	Removed	4-1-52	837412	Removed	4-1-52
753732	Removed	10-1-52	836138	Removed	4-1-52	837415	Removed	10-1-52
753847	Removed	10-1-52	836143	Removed	4-1-52	837425	Removed	4-1-52
753861	Removed	4-1-52	836145	Removed	4-1-52	837463	Removed	10-1-53
753880	Removed	4-1-53	836147	Removed	10-1-52	837470	Removed	10-1-52
754039	Removed	10-1-52	836158	Removed	4-1-52	837484	Removed	10-1-52
754118	Removed	10-1-53	836204	Use 836425	4-1-52	837493	Removed	7-1-53
754119	Removed	1-10-53	836216	Removed	1-1-52	837536	Removed	4-1-52
754165	Removed	4-1-53	836223	Removed	10-1-53	837571	Removed	4-1-52
754166	Removed	10-1-52	836262	Removed	10-1-52	837593	Removed	4-1-53
			836277	Removed	4-1-53	837644	Removed	4-1-52



837671	Removed	1-1-52	839589	Removed	10-1-52	919631	Removed	10-1-52
837672	Removed	1-1-52	839613	Mix w/3835775	6-1-52	919639	Removed	10-1-52
837673	Removed	10-1-52	839623	Removed	7-1-53	920551	Removed	10-1-52
837676	Removed	4-1-53	839662	Removed	7-1-52	920628	Use 5942056	10-1-52
837736	Removed	7-1-53	839753	Use 3705387	10-1-53	920793	Removed	10-1-52
837755	Removed	4-1-53	839776	Use 3705385	10-1-53	920794	Removed	10-1-52
837825	Removed	10-1-52	841787	Removed	4-1-52	922056	Removed	10-1-52
837855	Removed	4-1-52	846870	Removed	3-1-54	922200	Removed	10-1-52
837881	Removed	10-1-52	846876	Mix w/1563435	3-1-54	922903	Removed	10-1-52
837899	Removed	10-1-52	846877	Mix w/1563139	3-1-54	923277	Removed	10-1-52
837905	Removed	10-1-53	846878	Mix w/1562889	3-1-54	923322	Use 5941990	7-1-53
837906	Removed	10-1-52	854005	Removed	4-1-52	923441	Removed	10-1-52
837910	Removed	10-1-52	854009	Removed	10-1-52	923442	Removed	10-1-52
838002	Removed	1-1-52	855017	Removed	10-1-52	923706	Removed	10-1-52
838003	Removed	10-1-52	855763	Removed	10-1-52	924160	Removed	4-1-53
838015	Removed	4-1-52	855768	Removed	10-1-52	924255	Removed	10-1-52
838023	Removed	4-1-53	858060	Removed	4-1-52	924534	Use 5940988	10-1-52
838087	Removed	10-1-52	862714	Use 1515146	4-1-52	924551	Removed	3-1-54
838088	Removed	7-1-53	865169	Removed	10-1-52	924565	Use 5941977	1-10-53
838089	Removed	10-1-53	897384	Mix w/897464	3-1-54	924568	Use 5939791	1-1-52
838106	Use { 839119 839120	7-1-52	897399	Mix w/897438	1-1-54	925782	Use 926229	10-1-52
838143	Removed	10-1-52	897400	Mix w/897440	1-1-54	925784	Use 926230	7-1-53
838144	Removed	10-1-52	901106	Removed	4-1-53	925795	Use 926015	10-1-52
838338	Mix w/3835837	10-1-52	901307	Removed	3-1-54	925836	Use 926231	6-1-52
838372	Use 3702305	7-1-53	901309	Removed	10-1-53	925863	Use 926016	6-1-52
838436	Use 3836156	3-1-54	909023	Removed	10-1-53	925865	Use 926017	6-1-52
838453	Removed	10-1-52	909024	Removed	10-1-53	926091	Mix/w 897397	10-1-53
838468	Removed	4-1-52	909523	Removed	3-1-54	926229	Mix w/897399	10-1-53
838485	Removed	10-1-52	909524	Removed	3-1-54	926230	Mix w/897400	10-1-53
838537	Removed	4-1-53	909623	Removed	3-1-54	927512	Removed	1-10-53
838566	Removed	10-1-52	909624	Removed	3-1-54	927514	Removed	7-1-53
838595	Removed	10-1-52	909723	Removed	3-1-54	927518	Removed	4-1-53
838647	Mix w/754381	10-1-52	909724	Removed	3-1-54	927519	Removed	10-1-53
838683	Removed	10-1-52	911067	Removed	4-1-52	927617	Use 927874	6-1-52
838685	Removed	4-1-52	911101	Removed	4-1-53	927619	Use 927880	4-1-52
838688	Removed	10-1-52	911185	Removed	4-1-52	927639	Use 927887	7-1-52
838691	Removed	10-1-52	911255	Removed	10-1-53	927640	Use 927888	7-1-52
838692	Removed	10-1-52	911256	Removed	10-1-53	927642	Use 927885	4-1-52
838693	Removed	10-1-52	911283	Removed	4-1-52	927811	Use 927883	6-1-52
838758	Removed	4-1-52	912742	Removed	10-1-52	927812	Use 927884	1-10-53
838759	Removed	4-1-52	913219	Removed	4-1-52	928476	Mix w/897381	10-1-53
838761	Removed	10-1-53	913672	Removed	4-1-52	928513	Use 928665	1-10-53
838790	Removed	10-1-52	913673	Removed	4-1-52	928603	Use 928693	1-1-52
838820	Use 3835743	7-1-53	913678	Removed	4-1-53	928604	Use 928894	1-1-52
838881	Removed	10-1-52	913825	Removed	4-1-52	928796	Mix w/897463	3-1-54
838887	Removed	4-1-53	914084	Use 5941289	7-1-52	928799	Use 928876	10-1-52
838950	Mix w/3836010	7-1-53	914237	Removed	4-1-53	954355	Removed	4-1-53
838953	Use 3836005	10-1-53	914238	Removed	7-1-53	954394	Use 954780	10-1-52
838955	Use 3836003	1-1-54	914484	Removed	10-1-52	954444	Removed	4-1-53
838956	Use 3836004	10-1-53	914713	Removed	10-1-52	954521	Removed	10-1-52
839019	Removed	4-1-53	914716	Removed	10-1-52	985093	Removed	1-1-54
839024	Removed	10-1-52	915954	Removed	10-1-52	985229	Removed	7-1-53
839034	Removed	7-1-53	915986	Removed	1-1-54	985260	Removed	1-1-54
839064	Removed	10-1-52	915991	Removed	4-1-52	985268	Removed	7-1-53
839282	Mix w/3835776	6-1-52	915992	Removed	4-1-52	985560	Removed	10-1-53
839289	Use 3697142	4-1-53	916515	Removed	6-1-52	985872	Removed	6-1-52
839310	Removed	10-1-52	916562	Removed	10-1-52	986033	Removed	4-1-54
839311	Removed	4-1-53	916879	Use 916881	4-1-52	986041	Removed	1-1-52
839314	Removed	1-10-53	916880	Use 916882	4-1-52	986054	Removed	10-1-53
839348	Use 3835744	10-1-53	917594	Removed	4-1-53	986072	Removed	7-1-53
839355	Removed	3-1-54	917680	Removed	7-1-53	986076	Removed	10-1-53
839447	Use 3703617	7-1-53	918405	Removed	4-1-52	986079	Removed	1-1-54
839467	Use 3836083	10-1-53	918691	Removed	4-1-52	986086	Removed	1-1-54
839468	Removed	1-10-53	919046	Removed	7-1-53	986092	Removed	7-1-53
839470	Use 3701551	1-10-53	919332	Removed	4-1-52	986104	Removed	10-1-53
839497	Removed	1-10-53	919467	Removed	4-1-52	986113	Removed	1-10-53
839536	Removed	1-10-53	919476	Removed	4-1-52	986127	Removed	1-1-52
839546	Removed	1-10-53	919584	Removed	10-1-52	986161	Removed	1-1-52
			919619	Removed	6-1-52	986162	Removed	1-1-52

986174	Removed	1-1-25	986556	Removed	1-10-53	986719	Removed	7-1-53
986193	Removed	10-1-53	986557	Removed	1-10-53	986720	Removed	7-1-53
986226	Removed	1-1-52	986558	Removed	7-1-52	986721	Removed	7-1-53
986238	Removed	1-1-54	986560	Removed	1-1-54	986725	Removed	4-1-53
986269	Removed	10-1-53	986561	Removed	1-10-53	986726	Removed	4-1-53
986273	Removed	6-1-52	986564	Removed	1-10-53	986727	Removed	1-1-54
986274	Removed	10-1-53	986565	Removed	10-1-52	986728	Removed	7-1-53
986275	Removed	1-1-52	986566	Removed	1-10-53	986729	Removed	10-1-53
986276	Removed	6-1-52	986567	Removed	1-10-53	986730	Removed	7-1-53
986282	Removed	10-1-53	986569	Removed	1-10-53	986734	Removed	7-1-53
986283	Removed	1-1-52	986570	Removed	1-1-52	986735	Removed	7-1-53
986284	Removed	6-1-52	986572	Removed	10-1-53	986736	Removed	7-1-53
986285	Removed	10-1-53	986573	Removed	1-10-53	986741	Removed	4-1-53
986297	Removed	1-1-54	986574	Use 986743	7-1-52	986742	Removed	7-1-53
986305	Removed	7-1-53	986576	Removed	1-1-54	986743	Removed	10-1-53
986306	Removed	1-1-52	986577	Removed	10-1-52	986744	Removed	10-1-53
986323	Removed	1-1-52	986578	Use 986741	7-1-52	986761	Removed	3-1-54
986326	Use 986689	10-1-52	986580	Removed	1-10-53	986762	Removed	10-1-53
986343	Removed	1-1-52	986581	Removed	10-1-52	986783	Removed	3-1-54
986344	Removed	4-1-52	986582	Removed	3-1-54	986784	Removed	3-1-54
986354	Removed	7-1-53	986584	Removed	1-10-53	986786	Removed	1-1-54
986355	Removed	1-10-53	986585	Use 986736	7-1-52	986987	Mix w/987037	3-1-54
986356	Removed	10-1-52	986586	Removed	4-1-53	986788	Removed	3-1-54
986369	Removed	7-1-53	986588	Removed	7-1-53	986792	Removed	10-1-53
986371	Use 986708	10-1-52	986589	Removed	7-1-53	986793	Removed	10-1-53
986375	Removed	4-1-52	986592	Removed	7-1-53	986794	Removed	10-1-53
986382	Removed	7-1-53	986593	Removed	7-1-53	986824	Removed	4-1-53
986383	Removed	1-1-52	986594	Removed	1-10-53	986825	Removed	1-1-54
986403	Use 986468	4-1-52	986597	Removed	7-1-53	986831	Removed	1-1-54
986404	Removed	3-1-54	986600	Removed	10-1-53	986832	Removed	1-1-54
986407	Removed	10-1-53	986601	Removed	1-10-53	986834	Removed	1-1-54
986416	Removed	1-1-54	986607	Removed	10-1-52	986835	Removed	1-1-54
986417	Removed	10-1-53	986608	Removed	10-1-52	986837	Removed	1-1-54
986418	Removed	3-1-54	986610	Removed	3-1-54	986845	Removed	1-1-54
986421	Removed	1-1-52	986611	Removed	7-1-53	986846	Removed	1-1-54
986422	Removed	1-1-52	986612	Removed	1-10-53	986847	Removed	1-1-54
986428	Removed	6-1-52	986614	Removed	1-1-54	986848	Removed	1-1-54
986432	Removed	7-1-53	986615	Removed	10-1-52	986918	Removed	3-1-54
986433	Removed	1-1-54	986616	Removed	1-10-53	986919	Removed	1-1-54
986435	Removed	4-1-52	986620	Removed	10-1-53	986988	Mix w/987038	3-1-54
986437	Removed	6-1-52	986634	Use 986971	10-1-53	986989	Mix w/987039	3-1-54
986438	Removed	6-1-52	986636	Removed	3-1-54	1054636	Removed	10-1-53
986439	Removed	10-1-52	986645	Use 986953	7-1-53	1054637	Removed	10-1-53
986486	Removed	1-1-54	986646	Use 986952	7-1-53	1054890	Use 5307862	1-1-54
986487	Mix w/986676	1-1-52	986647	Use 986955	7-1-53	1054930	Removed	4-1-52
986488	Removed	10-1-53	986648	Use 986954	7-1-53	1054931	Removed	4-1-52
986489	Removed	1-1-54	986649	Use 986956	7-1-53	1055463	Removed	1-10-53
986496	Removed	7-1-53	986652	Removed	1-1-54	1055472	Removed	1-10-53
986513	Removed	7-1-53	986662	Removed	2-1-53	1060650	Removed	7-1-53
986514	Mix w/986679	1-1-52	986666	Mix w/986069	4-1-52	1060655	Removed	4-1-52
986519	Removed	10-1-53	986676	Removed	7-1-53	1060660	Removed	4-1-53
986522	Removed	6-1-52	986677	Removed	1-1-54	1061499	Removed	10-1-53
986523	Removed	7-1-53	986678	Removed	1-1-54	1063409	Removed	1-10-53
986525	Use 986678	1-1-52	986679	Removed	10-1-53	1063555	Removed	4-1-53
986526	Use 986677	1-1-52	986680	Removed	1-1-54	1063578	Removed	7-1-53
986527	Removed	10-1-53	986682	Removed	10-1-53	1063881	Removed	4-1-53
986528	Removed	4-1-52	986686	Removed	1-1-54	1063582	Removed	7-1-53
986529	Removed	7-1-53	986689	Removed	7-1-53	1066223	Removed	3-1-54
986530	Use 986632	1-1-52	986697	Removed	1-1-54	1066229	Removed	10-1-53
986532	Removed	7-1-53	986698	Removed	4-1-52	1068380	Removed	10-1-52
986533	Removed	7-1-53	986699	Removed	4-1-52	1068381	Removed	6-1-52
986535	Removed	1-1-54	986700	Removed	1-1-54	1068382	Removed	7-1-53
986540	Removed	6-1-52	986701	Removed	1-1-54	1069141	Removed	4-1-53
986541	Removed	6-1-52	986702	Removed	1-1-54	1069167	Removed	4-1-53
986544	Removed	10-1-53	986710	Removed	4-1-53	1070496	Removed	1-10-53
986545	Removed	10-1-53	986712	Removed	1-1-54	1074908	Removed	4-1-51
986546	Removed	1-1-54	986713	Removed	7-1-53	1096657	Removed	7-1-53
986551	Removed	1-1-54	986714	Removed	1-1-54	1097081	Removed	10-1-53
986553	Mix w/986682	1-1-52	986715	Removed	7-1-53	1102717	Removed	7-1-53

1102726	Removed	7-1-52	1581919	Use 1581964	10-1-53	1884954	Removed	4-1-53
1105002	Use 1105009	7-1-53	1835071	Removed	4-1-53	1885558	Removed	10-1-52
1106757	Use 1924340	7-1-52	1836374	Removed	10-1-52	1886005	Use 5284492	6-1-52
1106758	Removed	7-1-52	1837721	Removed	10-1-53	1902102	Removed	4-1-53
1107055	Mix w/1107108	4-1-53	1837956	Removed	10-1-53	1902134	Removed	3-1-54
1116270	Removed	10-1-52	1838588	Removed	7-1-53	1904766	Mix w/1917444	10-1-53
1116279	Removed	10-1-52	1839743	Removed	10-1-53	1905883	Removed	10-1-52
1116301	Use 1116363	4-1-53	1840912	Removed	10-1-52	1906502	Use 1917129	4-1-52
1116897	Removed	3-1-54	1841364	Removed	10-1-52	1906883	Removed	10-1-52
1118343	Removed	4-1-52	1841971	Removed	4-1-53	1910314	Mix w/1921607	10-1-52
1118361	Removed	4-1-52	1843223	Removed	10-1-53	1910315	Mix w/1921608	10-1-52
1255503	Use 3701363	10-1-53	1843646	Removed	4-1-52	1910316	Mix w/1921195	10-1-52
1294059	Removed	10-1-52	1843839	Use 1853759	4-1-52	1910317	Mix w/1921196	10-1-52
1298323	Use 3687670	1-10-53	1846532	Use 1846534	1-1-54	1911864	Removed	1-10-53
1300861	Removed	10-1-52	1847271	Removed	7-1-53	1911988	Removed	4-1-52
1451398	Mix w/3699138	1-1-52	1847272	Removed	10-1-53	1921623	Removed	10-1-53
1500008	Removed	10-1-53	1847638	Removed	10-1-52	1922950	Use 1866400	1-1-54
1500010	Removed	10-1-52	1847668	Removed	7-1-53	1990668	Use 1990662	6-1-52
1500601	Removed	6-1-52	1849016	Removed	4-1-52	1990676	Use 1990662	7-1-53
1500853	Mix w/1501270	1-1-52	1850649	Removed	4-1-52	1990701	Use 1990739	3-1-54
1500923	Mix w/1581526	1-1-52	1850770	Removed	10-1-52	1991597	Use 1991582	7-1-53
1500927	Mix w/1501531	1-1-52	1850771	Removed	10-1-52	1991604	Use 1991588	7-1-53
1505481	Removed	10-1-53	1850788	Removed	4-1-53	1991612	Use 1991611	3-1-54
1506411	Removed	10-1-53	1853749	Removed	10-1-52	1991618	Use 1991619	3-1-54
1510357	Removed	10-1-53	1853759	Removed	3-1-54	1992580	Use 1992588	7-1-53
1511898	Use 1512701	10-1-53	1854036	Removed	7-1-53	1992592	Use 1992591	10-1-53
1512011	Use 1512703	1-1-54	1854039	Removed	3-1-54	1999631	Use 1999687	10-1-53
1512148	Use 1512701	10-1-53	1854056	Removed	10-1-52	1999632	Use 1999688	10-1-53
1512150	Use 1512703	7-1-53	1857492	Removed	1-10-53	1999643	Use 1999631	7-1-53
1516931	Mix w/1517341	1-1-52	1858259	Use 1853759	1-1-52	1999644	Use 1999632	7-1-53
1521288	Removed	4-1-52	1858729	Removed	10-1-53	2022317	Removed	10-1-53
1521557	Removed	10-1-52	1858827	Removed	3-1-54	2035077	Removed	10-1-53
1521578	Removed	7-1-53	1859033	Removed	10-1-52	2040478	Removed	10-1-52
1521708	Removed	10-1-52	1859829	Use 1995040	10-1-53	2043967	Removed	3-1-54
1521953	Removed	10-1-53	1860772	Removed	4-1-53	2062139	Removed	10-1-52
1523094	Use 5590159	6-1-52	1860774	Removed	10-1-53	2081433	Removed	4-1-52
1523099	Removed	10-1-52	1861187	Removed	3-1-54	2137797	Mix w/3835867	10-1-52
1523106	Use 5891860	4-1-52	1861895	Removed	10-1-53	2208706	Use { 2242589 2242590	1-1-52
1523417	Removed	4-1-53	1862078	Removed	4-1-53	2208720	Use 2276593	4-1-52
1523429	Use 5892627	4-1-53	1863089	Removed	10-1-52	2208722	Use 2282850	10-1-52
1538467	Removed	10-1-53	1864489	Removed	3-1-54	2212971	Use 3704432	10-1-53
1538494	Removed	10-1-53	1865158	Removed	10-1-52	2268064	Removed	1-10-53
1543889	Use 1544961	7-1-53	1867110	Removed	10-1-52	2298481	Mix w/3710610	3-1-54
1544381	Removed	6-1-52	1868924	Mix w/1917115	3-1-54	2298481	Mix w/3710610	3-1-54
1544734	Use 1551195	1-10-53	1869303	Removed	3-1-54	3053255	Removed	4-1-52
1544872	Use 1551238	7-1-52	1869422	Removed	10-1-53	3053265	Removed	10-1-52
1557748	Use 1559493	10-1-53	1871821	Removed	10-1-53	3053280	Removed	3-1-54
1559468	Use 5569530	7-1-52	1873373	Removed	7-1-53	3105000	Use 3106560	1-1-52
1561509	Removed	4-1-52	1873551	Removed	4-1-53	3106254	Removed	10-1-52
1562830	Removed	4-1-53	1873936	Removed	3-1-54	3108752	Removed	6-1-52
1563997	Removed	4-1-53	1873958	Removed	3-1-54	3109423	Use 3121208	7-1-53
1564067	Removed	4-1-53	1874314	Removed	10-1-53	3113185	Removed	10-1-52
1564487	Removed	4-1-53	1875069	Use 7004748	4-1-52	3113214	Removed	10-1-52
1564798	Removed	4-1-52	1877510	Removed	10-1-52	3113481	Removed	10-1-53
1566357	Use 1566356	10-1-53	1878087	Use 1878086	6-1-52	3114440	Removed	1-1-52
1566417	Use 1566356	4-1-52	1878580	Removed	4-1-53	3114520	Use 3116352	1-1-54
1566548	Use 1568019	4-1-53	1878618	Removed	10-1-52	3114635	Removed	4-1-52
1567763	Mix w/1562869	3-1-54	1879002	Use 1921235	7-1-52	3115650	Mix w/3128403	1-1-52
1567774	Mix w/1564778	3-1-54	1880274	Removed	4-1-52	3116471	Removed	1-10-53
1567784	Mix w/1565000	3-1-54	1881701	Removed	3-1-54	3118968	Use 3129669	4-1-53
1567739	Use 1582863	3-1-54	1882078	Removed	10-1-52	3119987	Mix w/3127649	7-1-53
1568612	Use 1581964	4-1-53	1882079	Removed	10-1-52	3121499	Use 3130812	10-1-52
1569015	Removed	10-1-52	1882086	Removed	1-10-53	3121538	Use 3130944	10-1-53
1580661	Use 1581964	7-1-53	1882254	Removed	3-1-54	3122275	Use 3125764	6-1-52
1580662	Mix w/1581525	1-1-52	1882368	Removed	7-1-53	3122389	Use 3127084	6-1-52
1580663	Mix w/1581519	1-1-52	1882438	Use 5288756	1-1-52	3124419	Use 3128928	6-1-52
1580665	Mix w/1581521	1-1-52	1884003	Removed	10-1-52	3125381	Use 3128267	1-1-52
1580931	Mix w/1581508	1-1-52	1884004	Removed	10-1-52	3125595	Use 3128226	1-10-53
1580934	Mix w/1581509	1-1-52	1884006	Removed	10-1-52	3126271	Use 3128928	6-1-52

3127019	Use 3129275	6-1-52	3651268	Use 592124	4-1-53	3653534	Removed	10-1-53
3127020	Use 3129274	6-1-52	3651323	Removed	10-1-53	3653542	Removed	3-1-54
3127021	Use 3129273	6-1-52	3651329	Removed	7-1-53	3653608	Removed	10-1-52
3127028	Use 3129869	10-1-53	3651332	Removed	10-1-52	3653645	Use 3653889	7-1-53
3650179	Removed	10-1-52	3651334	Removed	10-1-52	3653646	Use 3653890	7-1-53
3650180	Removed	10-1-52	3651335	Removed	10-1-52	3653670	Removed	7-1-53
3650255	Removed	10-1-53	3651337	Removed	4-1-53	3653703	Removed	10-1-52
3650348	Removed	7-1-53	3651338	Removed	10-1-53	3653710	Removed	3-1-54
3650349	Removed	4-1-52	3651348	Removed	3-1-54	3653713	Removed	10-1-52
3650350	Removed	4-1-52	3651383	Removed	10-1-53	3653749	Use 3653587	4-1-52
3650351	Removed	10-1-52	3651390	Removed	10-1-52	3653772	Removed	1-10-53
3650355	Removed	3-1-54	3651391	Removed	1-10-53	3653790	Removed	4-1-52
3650362	Removed	4-1-52	3651393	Removed	10-1-52	3653879	Removed	10-1-52
3650363	Removed	10-1-52	3651403	Mix w/3651404	1-10-53	3653925	Use 3683612	3-1-54
3650364	Removed	10-1-52	3651418	Use 3847040	4-1-52	3654023	Removed	10-1-53
3650365	Removed	10-1-52	3651426	Mix w/3682822	1-1-52	3654024	Removed	1-1-54
3650366	Removed	4-1-52	3651485	Use 2277315	4-1-53	3654027	Removed	10-1-53
3650379	Removed	4-1-52	3651502	Removed	4-1-53	3654028	Removed	10-1-53
3650380	Removed	10-1-52	3651512	Removed	10-1-52	3654033	Use 3665094	4-1-53
3650395	Removed	3-1-54	3651529	Removed	4-1-53	3654035	Removed	4-1-53
3650396	Removed	4-1-52	3651554	Use { 173105	1-10-53	3654039	Removed	4-1-53
3650398	Removed	4-1-53		{ 173106		3654044	Removed	1-1-54
3650412	Removed	10-1-53	3651611	Removed	7-1-52	3654049	Use 3690701	10-1-52
3650535	Removed	4-1-53	3651633	Removed	4-1-53	3654051	Removed	10-1-52
3650567	Removed	7-1-53	3651635	Removed	10-1-52	3654068	Removed	10-1-52
3650568	Removed	7-1-53	3651636	Removed	4-1-52	3654094	Removed	10-1-53
3650628	Removed	4-1-53	3651642	Removed	10-1-53	3654095	Removed	4-1-53
3650629	Removed	4-1-52	3651644	Removed	7-1-53	3654096	Removed	7-1-53
3650630	Removed	7-1-53	3651680	Removed	4-1-53	3654165	Use 3654208	1-10-53
3650632	Removed	7-1-53	3651685	Removed	4-1-53	3654187	Removed	7-1-53
3650633	Removed	10-1-53	3851703	Removed	4-1-53	3654243	Removed	10-1-52
3650692	Removed	4-1-53	3651709	Removed	3-1-54	3654245	Removed	10-1-52
3650694	Removed	3-1-54	3651710	Removed	3-1-54	3654257	Removed	3-1-54
3650700	Removed	10-1-52	3651714	Use 3657481	4-1-53	3654258	Removed	3-1-54
3650781	Removed	10-1-52	3651715	Removed	4-1-53	3654259	Use 3654202	4-1-53
3650782	Removed	10-1-52	3651719	Removed	4-1-53	3654269	Use 3654270	4-1-53
3650783	Removed	10-1-52	3651753	Removed	10-1-52	3654315	Removed	10-1-52
3650784	Removed	10-1-52	3651833	Removed	10-1-52	3654410	Removed	7-1-53
3650785	Removed	3-1-54	3651940	Removed	10-1-52	3654495	Removed	1-1-54
3650817	Removed	10-1-52	3652108	Removed	4-1-53	3854722	Removed	10-1-52
3650827	Removed	4-1-52	3652125	Removed	10-1-52	3654746	Removed	1-10-53
3650842	Removed	7-1-53	3652126	Removed	10-1-52	3654801	Use 110299	7-1-53
3650866	Removed	7-1-53	3652251	Removed	4-1-52	3654852	Removed	1-1-54
3650878	Removed	10-1-52	3652254	Use 3702293	3-1-54	3654867	Removed	4-1-53
3650935	Removed	4-1-53	3652373	Removed	4-1-52	3654868	Removed	4-1-53
3650936	Removed	10-1-52	3652395	Removed	10-1-52	3654891	Removed	10-1-52
3650941	Removed	10-1-52	3652446	Removed	4-1-53	3654892	Removed	10-1-52
3650942	Removed	4-1-52	3652573	Removed	6-1-52	3654960	Removed	4-1-53
3650946	Removed	4-1-53	3652690	Removed	4-1-53	3655009	Removed	6-1-52
3650989	Removed	4-1-52	3652721	Removed	4-1-53	3655254	Removed	10-1-52
3650990	Removed	4-1-52	3652722	Removed	6-1-52	3655298	Removed	10-1-52
3650999	Removed	4-1-52	3652729	Use 3701135	4-1-53	3655374	Removed	7-1-53
3651000	Removed	4-1-52	3652732	Removed	10-1-52	3655535	Removed	3-1-54
3651004	Removed	10-1-52	3652740	Removed	3-1-54	3655536	Removed	4-1-52
3651021	Removed	10-1-52	3652771	Removed	10-1-52	3655798	Removed	4-1-53
3651073	Removed	4-1-52	3652968	Use 3686446	4-1-52	3655801	Removed	4-1-53
3651074	Removed	4-1-52	3653125	Removed	3-1-54	3655802	Removed	4-1-53
3651086	Removed	10-1-53	3653126	Removed	3-1-54	3655817	Removed	3-1-54
3651096	Use 3654274	7-1-53	3653234	Use 474682	4-1-52	3655818	Removed	4-1-53
3651099	Use 3657243	7-1-53	3653251	Removed	7-1-53	3656514	Removed	10-1-52
3651145	Removed	4-1-52	3653274	Removed	10-1-52	3656556	Use 3656558	10-1-53
3651160	Removed	4-1-52	3653326	Removed	10-1-52	3656571	Mix w/3693624	1-10-53
3651189	Removed	4-1-53	3653366	Removed	4-1-53	3656643	Removed	10-1-53
3651206	Removed	10-1-52	3653376	Removed	10-1-52	3656652	Removed	10-1-53
3651212	Removed	10-1-52	3653385	Removed	3-1-54	3656674	Removed	7-1-53
3651223	Removed	10-1-52	3653419	Removed	4-1-53	3656690	Use 3705599	3-1-54
3651254	Removed	4-1-53	3653427	Removed	10-1-52	3656730	Removed	3-1-54
3651256	Removed	4-1-53	3653480	Removed	10-1-52	3656731	Removed	10-1-53
3651281	Removed	4-1-53	3653481	Removed	4-1-52	3656732	Removed	4-1-52



3656737	Use 3690868	1-10-53	3658865	Removed	4-1-53	3665024	Removed	3-1-54
3656738	Use 3690868	1-1-52	3658873	Removed	10-1-52	3665059	Use 3696301	7-1-53
3656767	Mix w/3702625	1-10-53	3658877	Removed	10-1-52	3665063	Removed	7-1-52
3656769	Mix w/3702627	4-1-53	3658878	Removed	10-1-52	3665087	Removed	7-1-53
3656908	Removed	4-1-53	3658881	Removed	3-1-54	3665092	Use 3664775	7-1-53
3656931	Removed	7-1-53	3658903	Removed	10-1-52	3665093	Use 3664776	7-1-53
3656932	Removed	7-1-53	3658907	Removed	10-1-52	3665120	Removed	4-1-53
3656934	Removed	4-1-53	3658908	Removed	10-1-52	3665122	Removed	3-1-54
3657004	Use 3684840	10-1-53	3658947	Removed	10-1-52	3665129	Removed	3-1-54
3657087	Removed	4-1-53	3658948	Removed	10-1-52	3665181	Removed	10-1-53
3657089	Removed	10-1-52	3659085	Removed	10-1-52	3665183	Removed	7-1-53
3657152	Use 3654274	7-1-53	3659087	Removed	3-1-54	3665185	Removed	7-1-53
3657234	Removed	10-1-52	3659088	Removed	3-1-54	3665217	Use 3700014	4-1-53
3657245	Removed	4-1-53	3659141	Removed	1-10-53	3665388	Removed	1-1-52
3657246	Removed	4-1-53	3659257	Removed	8-1-52	3665463	Removed	10-1-53
3657254	Removed	4-1-53	3659258	Removed	8-1-52	3665754	Removed	10-1-52
3657399	Use 3692555	7-1-53	3659289	Removed	1-10-53	3665755	Removed	10-1-52
3657423	Mix w/3697792	4-1-53	3659292	Use 3684357	10-1-52	3666238	Removed	3-1-54
3657425	Removed	4-1-53	3659355	Removed	6-1-52	3666423	Removed	10-1-52
3657429	Removed	4-1-53	3659424	Removed	6-1-52	3666424	Removed	7-1-53
3657432	Removed	4-1-52	3659485	Removed	6-1-52	3666446	Use 3666280	10-1-53
3657479	Removed	4-1-53	3659492	Removed	4-1-53	3666744	Removed	6-1-52
3657617	Removed	4-1-53	3659498	Removed	1-10-53	3666755	Removed	6-1-52
3657618	Removed	4-1-53	3659505	Removed	10-1-52	3666756	Removed	6-1-52
3657808	Removed	3-1-54	3659553	Removed	6-1-52	3666853	Use 3654629	1-10-53
3657809	Removed	4-1-53	3659648	Use 3688784	7-1-53	3667625	Use 3681244	6-1-52
3657810	Removed	10-1-52	3659722	Removed	1-1-52	3667881	Removed	1-10-53
3657811	Removed	3-1-54	3659847	Removed	4-1-53	3667882	Removed	10-1-53
3657812	Removed	4-1-53	3660094	Removed	7-1-52	3671486	Use 597434	1-1-52
3657813	Removed	3-1-54	3660172	Removed	6-1-25	3672751	Removed	1-10-53
3657834	Use 3703307	1-1-54	3660335	Removed	1-1-52	3673139	Use 3681088	3-1-54
3657848	Use 609841	10-1-53	3660531	Removed	4-1-52	3673141	Removed	4-1-52
3657865	Removed	3-1-54	3660544	Removed	10-1-52	3673164	Use 3685985	3-1-54
3657895	Use 3658153	7-1-53	3660691	Removed	6-1-52	3674211	Removed	3-1-54
3657896	Use 3658154	7-1-53	3660692	Removed	6-1-52	3674212	Removed	3-1-54
3657957	Removed	4-1-53	3660878	Removed	10-1-53	3676173	Use 3693009	10-1-53
3657958	Removed	4-1-53	3661110	Removed	6-1-52	3676176	Use 3704508	1-1-54
3658085	Removed	1-10-53	3661382	Removed	6-1-52	3676240	Use 3699730	1-10-53
3658096	Use 3681712	1-10-53	3661383	Removed	4-1-53	3676242	Use 3698730	3-1-54
3658216	Removed	10-1-52	3661384	Removed	4-1-53	3676266	Removed	10-1-53
3658234	Removed	10-1-52	3661598	Removed	7-1-53	3676299	Use 3693594	4-1-52
3658235	Removed	10-1-52	3661637	Removed	7-1-53	3676300	Use 3693728	1-1-52
3658375	Removed	3-1-54	3661638	Removed	7-1-53	3676306	Use 3684268	4-1-52
3658392	Removed	10-1-52	3661639	Removed	7-1-53	3676308	Removed	1-10-53
3658405	Use 3688876	1-10-53	3661640	Removed	10-1-53	3676401	Removed	1-10-53
3658406	Removed	10-1-52	3661758	Removed	4-1-53	3676402	Removed	1-10-53
3658407	Removed	10-1-52	3661982	Use 358501	7-1-53	3676589	Removed	1-1-52
3658408	Removed	10-1-52	3662220	Removed	10-1-52	3678196	Use 3686588	4-1-53
3658435	Use 3683774	4-1-52	3663023	Removed	7-1-53	3680811	Removed	3-1-54
3658440	Removed	7-1-53	3663024	Removed	3-1-54	3680812	Removed	3-1-54
3658465	Removed	1-1-52	3663087	Removed	6-1-52	3680819	Use 3699243	1-1-52
3658466	Removed	1-1-52	3663553	Removed	1-1-52	3680960	Use 3680959	1-10-53
3658469	Removed	10-1-52	3663593	Removed	1-10-53	3680990	Use 3697044	6-1-52
3658502	Removed	6-1-52	3663774	Removed	10-1-52	3681058	Removed	4-1-52
3658517	Removed	3-1-54	3663784	Removed	4-1-52	3681066	Removed	4-1-53
3658571	Removed	10-1-52	3663831	Mix w/3698517	1-1-52	3681201	Removed	10-1-52
3658667	Removed	10-1-52	3663832	Mix w/3698518	1-1-52	3681352	Removed	4-1-52
3658688	Removed	10-1-52	3663874	Use 3702348	4-1-53	3681364	Removed	4-1-53
3658745	Removed	10-1-52	3664067	Removed	10-1-52	3681378	Removed	3-1-54
3658746	Removed	10-1-52	3664274	Removed	3-1-54	3681383	Removed	6-1-52
3658759	Use 3658761	1-10-53	3664346	Removed	10-1-52	3681606	Use 3684322	7-1-53
3658795	Removed	3-1-54	3664505	Removed	10-1-52	3681651	Removed	3-1-54
3658796	Removed	3-1-54	3664542	Removed	10-1-53	3681652	Removed	10-1-53
3658816	Removed	10-1-52	3664601	Removed	3-1-54	3681665	Removed	10-1-53
3658817	Removed	4-1-52	3664602	Removed	7-1-53	3681666	Removed	10-1-53
3658827	Removed	10-1-53	3664612	Removed	3-1-54	3681699	Removed	4-1-53
3658828	Removed	10-1-53	3664777	Use 3665094	4-1-53	3681700	Removed	4-1-53
3658843	Removed	3-1-54	3664840	Removed	7-1-53	3681900	Removed	10-1-53
3658864	Removed	4-1-53	3664882	Removed	7-1-53	3681905	Removed	3-1-54

3681906	Removed	3-1-54	3685041	Removed	1-10-53	3688587	Use 3701900	7-1-53
3681907	Removed	4-1-53	3685047	Removed	10-1-53	3688593	Use 3700058	1-10-53
3681943	Use 3685320	4-1-52	3685058	Use 3683465	10-1-53	3688673	Removed	4-1-52
3681962	Removed	10-1-52	3685193	Use 3702205	1-10-53	3688810	Use 3694371	1-1-52
3681965	Removed	10-1-52	3685194	Use { 3702206 3702208	4-1-53	3688839	Use 3703894	10-1-53
3682037	Removed	10-1-52				3688864	Use 3702022	7-1-53
3682041	Use 3704088	7-1-53	3685219	Use 3698751	10-1-52	3688930	Removed	1-10-53
3682079	Use 3696716	4-1-52	3685534	Use 3684260	6-1-52	3688951	Use 3699217	10-1-52
3682125	Use 3699534	1-10-53	3685546	Removed	1-10-53	3688952	Use 3699218	7-1-53
3682285	Removed	3-1-54	3685694	Use 3698544	6-1-52	3688965	Use 3699717	10-1-53
3682286	Removed	3-1-54	3685705	Use 3686789	1-10-53	3689011	Use 3702162	10-1-52
3682381	Removed	10-1-52	3685708	Use 3690566	4-1-52	3689070	Use 3704587	4-1-53
3682492	Mix w/3683815	1-1-54	3685716	Use 3698028	10-1-53	3689123	Use 3696795	6-1-52
3682653	Removed	3-1-54	3685718	Use 3695705	7-1-53	3689124	Use 3696796	10-1-53
3682739	Removed	1-10-53	3685876	Removed	1-10-53	3689219	Use 3693817	7-1-53
3682740	Removed	7-1-53	3686015	Removed	10-1-53	3689225	Use 3695871	7-1-53
3682794	Removed	3-1-54	3686016	Removed	1-10-53	3689504	Mix w/3705665	10-1-53
3682938	Use 3692278	7-1-52	3686019	Use 3700237	1-1-54	3689543	Use 3701079	10-1-52
3682945	Use 3697605	4-1-53	3686031	Use 3699192	7-1-52	3689572	Use 3696161	1-1-52
3682959	Removed	10-1-52	3686143	Use 3699022	4-1-53	3689602	Use 3702348	7-1-53
3683001	Use 3696021	4-1-53	3686267	Use 3693500	4-1-52	3689665	Removed	7-1-53
3683004	Removed	10-1-52	3686268	Use 3693500	4-1-52	3689704	Use 3697540	1-1-54
3683021	Use 3699242	1-1-52	3686373	Use 3698529	10-1-53	3689836	Use 3697501	6-1-52
3683316	Use 3690321	10-1-52	3686374	Use 3698530	10-1-52	3689936	Use 3697699	1-1-52
3683354	Use { 3693502 3693500	4-1-52	3686780	Use 3681215	1-10-53	3689022	Use 3692810	10-1-53
			3686800	Use 3699416	1-10-53	3690041	Use 3703694	10-1-53
3683368	Use 3688766	6-1-52	3686830	Use 591836	10-1-53	3690101	Use 3694355	1-10-53
3683335	Use 3695263	7-1-53	3687191	Use 3693291	10-1-53	3690203	Use 3701970	7-1-53
3683538	Use 3695264	1-10-53	3687194	Use 3697608	4-1-53	3690249	Use 3702853	3-1-54
3683595	Removed	3-1-54	3687234	Use 3692614	4-1-52	3690279	Removed	1-10-53
3683669	Removed	3-1-54	3687251	Use 3698051	4-1-52	3690300	Removed	6-1-52
3683704	Use 3683356	4-1-52	3687315	Removed	1-10-53	3690319	Use 3699209	7-1-53
3683723	Use 3699345	4-1-53	3687390	Use { 3694125 3694124	3-1-54	3690320	Use 3699210	1-10-53
3683877	Use 3690567	1-10-53				3690371	Use 3699161	1-10-53
3683879	Use 3690569	4-1-52	3687392	Use 3694127	1-1-52	3690372	Use 3699162	1-10-53
3683903	Use 3697281	4-1-52	3687451	Use 3693009	6-1-52	3690384	Use 3697878	1-10-53
3683904	Use 3697282	4-1-52	3687461	Removed	1-10-53	3690404	Mix w/1990717	1-1-52
3683912	Use 3703860	10-1-53	3687483	Removed	10-1-52	3690561	Use 3698737	10-1-53
3683968	Removed	1-10-53	3687512	Use 3691665	10-1-52	3690562	Use 3696798	1-1-52
3684021	Use 3683313	4-1-53	3687516	Use 3702812	4-1-53	3690563	Use 3696795	4-1-52
3684035	Use 3698743	10-1-52	3687545	Use 3690561	6-1-52	3690565	Use 3694581	10-1-53
3684037	Use 3698747	10-1-52	3687546	Use 3696798	6-1-52	3690566	Use 3694582	10-1-53
3684057	Removed	10-1-52	3687608	Use 3686819	6-1-52	3690596	Mix w/3810880	4-1-53
3684068	Removed	10-1-52	3687625	Use 3704082	7-1-53	3690762	Use 3688269	1-1-52
3684069	Removed	3-1-54	3687672	Use 120369	1-10-53	3690770	Removed	7-1-53
3684060	Removed	10-1-52	3687756	Use 353940	4-1-52	3690771	Removed	1-10-53
3684061	Removed	7-1-52	3687903	Mix w/3665440	10-1-53	3690841	Use 3696323	4-1-53
3684062	Removed	10-1-52	3687915	Use 3697793	4-1-52	3690868	Removed	4-1-52
3684100	Removed	3-1-54	3687916	Use 3697794	4-1-52	3691026	Use 3697509	1-10-53
3684107	Use 3699021	10-1-52	3687951	Use 3705009	3-1-54	3691108	Removed	4-1-53
3684128	Use 3699070	7-1-52	3687976	Use 3694318	4-1-52	3691172	Use 3700018	6-1-52
3684139	Use 3693894	7-1-53	3688017	Use 3696314	4-1-52	3691288	Use 3691287	1-10-53
3684181	Use 3688494	4-1-52	3688053	Use 3699625	7-1-52	3691492	Use 3698948	4-1-53
3684203	Removed	10-1-53	3688054	Use 3699626	6-1-52	3691494	Use 3694752	1-1-52
3684234	Removed	4-1-52	3688100	Mix w/3705975	10-1-53	3691501	Use 3691404	4-1-52
3684253	Use 3684251	6-1-52	3688147	Use 3693560	10-1-52	3691584	Use 3696293	10-1-52
3684631	Use 3693321	10-1-53	3688163	Use 3696679	4-1-53	3691663	Use 3697945	6-1-52
3684698	Removed	10-1-52	3688169	Use 3695735	4-1-52	3691693	Removed	1-1-53
3684715	Removed	3-1-54	3688257	Use 3701990	4-1-53	3691694	Removed	1-10-53
3684716	Removed	7-1-53	3688263	Removed	4-1-52	3691701	Removed	7-1-52
3684717	Removed	10-1-52	3688265	Removed	4-1-52	3691740	Use 3694658	1-1-52
3684738	Use 3698788	3-1-54	3688458	Use 3702787	7-1-53	3691741	Use 3704328	10-1-53
3684792	Removed	4-1-53	3688489	Use 3696923	1-10-53	3691813	Use 3698665	1-10-53
3684885	Use 3699211	10-1-53	3688552	Use 3700394	4-1-53	3691911	Use 3697574	10-1-53
3684887	Use 3699213	10-1-53	3688569	Use 3696791	1-10-53	3691951	Mix w/3699025	1-1-52
3684890	Use 3695598	4-1-52	3688570	Use 3697878	1-10-53	3692088	Mix w/3699038	1-1-52
3684898	Use 3698744	6-1-52	3688571	Use 3699161	1-10-53	3692089	Removed	6-1-52
3684954	Use 3689107	4-1-52	3688572	Use 3699162	1-10-53	3692090	Removed	6-1-52
3685036	Removed	1-10-53	3688573	Use 3699209	7-1-53	3692103	Mix w/3699024	1-1-52

3692111	Use 3700215	3-1-54	3694184	Use 3699989	10-1-52	3696009	Use 3698407	7-1-53
3692113	Use 3700217	3-1-54	3694186	Use 3707038	10-1-53	3696045	Use 3699926	6-1-52
3692114	Use 3700218	4-1-53	3694268	Use 3694071	1-10-53	3696049	Use 3699416	1-10-53
3692117	Use 3700222	4-1-53	3694284	Use 3701930	10-1-53	3696076	Removed	6-1-52
3692191	Removed	1-10-53	3694310	Use 3699926	7-1-52	3698163	Use 3703104	7-1-53
3692192	Removed	1-10-53	3694318	Use 3705091	10-1-53	3696165	Use 3705371	3-1-54
3692203	Use 3701210	10-1-53	3694328	Use 3698688	1-1-52	3696167	Use 3702798	10-1-53
3692244	Use 3697646	6-1-52	3694354	Use 3701156	1-1-54	3696352	Use 3702888	1-10-53
3692274	Mix w/3697508	1-1-52	3694373	Use 3700393	4-1-53	3696355	Use 3698739	6-1-52
3692293	Use 3697914	1-1-54	3694430	Use 3702061	1-1-54	3696356	Use 3698740	4-1-52
3692294	Use 3697926	3-1-54	3694454	Use 3697514	1-10-53	3696411	Mix w/3704406	7-1-53
3692499	Use 3703494	3-1-54	3694455	Use 3697544	1-1-54	3696476	Mix w/3699039	1-1-52
3692503	Use 3696338	7-1-52	3694496	Use 3697562	1-10-53	3696493	Use 3698555	4-1-52
3692598	Use 3705458	10-1-53	3694498	Mix/w 3697564	4-1-52	3696715	Use 3704948	7-1-53
3692774	Use 3697265	1-1-52	3694608	Use 3697577	10-1-53	3696791	Use 3699223	7-1-53
3692899	Mix w/3635777	6-1-52	3694620	Use 3696016	10-1-53	3696798	Use 3698738	7-1-53
3692956	Use 3702173	4-1-53	3694647	Use 3699044	6-1-52	3696817	Use 3709403	3-1-54
3692963	Use 3697554	7-1-53	3694657	Use 3704276	3-1-54	3696879	Use 377916	6-1-52
3692966	Use 3697556	7-1-52	3694658	Use 3698092	7-1-52	3696880	Use 375633	6-1-52
3692998	Use 3697602	4-1-52	3694659	Use 3704278	1-1-54	3696896	Use 3697757	7-1-53
3693003	Use 444577	6-1-52	3694725	Use 3698948	4-1-52	3696923	Use 3701347	4-1-53
3693296	Mix w/3704220	10-1-53	3694752	Use 3698952	4-1-52	3697017	Use 3702201	1-10-53
3693321	Use 3810808	1-1-54	3694804	Use 3697042	4-1-52	3697018	Use {3702202	1-10-53
3693343	Use 3697211	1-10-53	3694917	Use 3698801	1-1-52		{3702204	
3693380	Use 3682082	6-1-52	3694924	Use 3699046	10-1-52	3697052	Use 3700499	4-1-53
3693403	Use 5290967	4-1-52	3694927	Use 3699047	4-1-53	3697056	Use 3700501	1-10-53
3693432	Use 3693099	4-1-53	3694930	Use 3699048	4-1-53	3697068	Use 3705422	10-1-53
3693435	Use 3703565	10-1-53	3694931	Use 3700075	1-10-53	3697087	Use {3835371	3-1-54
3693491	Use 3698173	4-1-52	3694932	Mix w/3700076	10-1-52		{3835473	
3693497	Use 3698181	6-1-52	3694939	Use 3699051	4-1-53	3697088	Removed	7-1-52
3693499	Use 3698177	6-1-52	3694940	Use 3699052	1-10-53	3697178	Removed	7-1-52
3693527	Mix w/3699117	1-1-52	3694947	Use 3699031	1-10-53	3697265	Use 3693316	1-10-53
3693558	Use 3699026	10-1-52	3694949	Use 3699027	1-1-52	3697545	Use 3694418	7-1-52
3693596	Use 3698042	1-10-53	3694950	Use 3699029	1-1-52	3697562	Use 3702910	10-1-53
3693641	Use 3698780	7-1-53	3694981	Use 837552	7-1-52	3697564	Use 3702911	3-1-54
3693664	Removed	4-1-52	3695011	Use 3700266	6-1-52	3697637	Use 3701117	1-10-53
3693683	Use 3696791	1-1-52	3695014	Removed	1-10-53	3697638	Use 3701118	10-1-53
3693695	Use 3700440	1-10-53	3695030	Use 3695678	10-1-52	3697688	Use 3704333	10-1-53
3693701	Use 3696382	10-1-52	3695236	Use 3701030	6-1-52	3697805	Use 3690405	7-1-53
3693702	Use 3698689	10-1-52	3695332	Use 3699032	4-1-53	3697806	Use 3690408	10-1-52
3693705	Use 5299916	10-1-53	3695337	Use 3699033	4-1-52	3697914	Use 3707591	3-1-54
3693723	Use 3701183	4-1-52	3695373	Mix w/3836096	1-1-54	3698095	Use 3702968	4-1-53
3693727	Use 5299874	1-1-54	3695378	Use 3696702	7-1-52	3698106	Use 3701147	6-1-52
3693731	Use 3701171	4-1-52	3695423	Use 3699713	4-1-52	3698107	Use 3701147	6-1-52
3693735	Use 3701175	4-1-52	3695424	Use 3699714	10-1-52	3698115	Use 3705106	1-1-54
3693739	Use 3701179	4-1-52	3695455	Use 3835910	10-1-53	3698321	Removed	4-1-52
3693765	Use 3700012	1-10-53	3695459	Use 3699197	1-1-52	3698390	Use 3701165	10-1-52
3693772	Use 3698031	10-1-52	3695477	Mix w/3697476	3-1-54	3698508	Use 3693422	6-1-52
3693797	Use 2960500	3-1-54	3695519	Use 3700585	1-10-53	3698555	Use 3701416	10-1-53
3693819	Use 3698179	1-1-52	3695520	Use 3700586	4-1-53	3698583	Mix w/3685637	10-1-52
3693832	Use 3697088	1-1-52	3695539	Use 3699215	1-10-53	3698614	Removed	4-1-52
3693846	Use 3701164	4-1-53	3695540	Use 3699216	10-1-53	3698615	Removed	4-1-52
3693847	Use 3698390	1-1-52	3695547	Use 3699865	7-1-52	3698641	Mix w/3683258	1-1-52
3693848	Use 3701166	10-1-52	3695548	Use 3699866	1-10-53	3698849	Use 3810915	3-1-54
3693849	Use 3701167	4-1-52	3695596	Use 3699212	6-1-52	3698952	Use 3707305	10-1-53
3693883	Use 3702872	4-1-53	3695598	Use 3699160	1-10-53	3699031	Use 3698321	1-1-54
3693892	Removed	1-10-53	3695600	Use 3699214	1-10-53	3699044	Use 3701026	7-1-53
3693908	Use 3696479	1-10-53	3695666	Use 3699036	6-1-52	3699067	Use 3701147	4-1-52
3693911	Use 3702793	10-1-53	3695668	Use 3699037	7-1-52	3699134	Mix w/3694824	1-1-52
3693923	Use 3696049	1-10-53	3695699	Use 3699056	10-1-52	3699195	Use 3709405	3-1-54
3693992	Removed	1-1-52	3695755	Use 3701168	4-1-52	3699210	Use 3703462	10-1-53
3693993	Removed	10-1-53	3695781	Use 3698449	6-1-52	3699215	Use 3703471	1-1-54
3694011	Use 3705265	1-1-54	3695911	Use 3700389	6-1-52	3699216	Use 3703472	1-1-54
3694012	Use 3705266	1-1-54	3695922	Use 3701341	4-1-53	3699242	Use 3705092	7-1-53
3694013	Use 3705267	1-1-54	3695967	Use 3704805	3-1-54	3699243	Use 3705093	10-1-53
3694095	Removed	1-1-52	3695968	Use 3704806	4-1-53	3699247	Removed	4-1-52
3694096	Removed	1-1-52				3699921	Use 3702348	1-10-53
3694117	Removed	1-1-52						
3694118	Removed	1-1-52						
			3695970	Use {3696712				
				{3696715	7-1-52			
				{3696716				



3700012	Mix w/3696396	7-1-53	3707472	Use 3708900	3-1-54	3809743	Use 3810874	1-1-54
3700261	Use 3703323	7-1-53	3800406	Removed	3-1-54	3809757	Use 3810311	10-1-52
3700331	Use 3702889	10-1-53	3800412	Removed	4-1-53	3809758	Use 3810312	7-1-53
3700334	Use 3704551	7-1-53	3800450	Removed	4-1-53	3809804	Use 3808443	4-1-52
3700438	Use 3701348	7-1-53	3800488	Removed	4-1-53	3809805	Use 3808371	6-1-52
3700519	Use 3704551	7-1-53	3800494	Removed	3-1-54	3809817	Use 3699473	10-1-52
3701070	Use 3707716	10-1-53	3800566	Removed	4-1-53	3810036	Use 3810150	1-10-53
3701171	Use 3704909	4-1-53	3800616	Removed	10-1-52	3810037	Use 3810151	4-1-52
3701178	Use 3703671	4-1-53	3800754	Removed	6-1-52	3810151	Removed	6-1-52
3701179	Use 3703675	4-1-53	3800813	Removed	10-1-52	3810276	Use 3810606	3-1-54
3701183	Use 3703683	4-1-53	3800814	Removed	10-1-52	3810700	Use 3810879	4-1-53
3701185	Use 3710929	3-1-54	3800870	Use 3807944	4-1-52	3810879	Use 3811112	3-1-54
3701200	Use 3710933	3-1-54	3800876	Use 3807936	10-1-52	3811163	Use 3811187	3-1-54
3701204	Use 3701462	10-1-53	3801061	Removed	3-1-54	3811164	Use 3811196	3-1-54
3701357	Use 3704234	2-1-53	3801062	Removed	3-1-54	3811165	Use 3811197	3-1-54
3701359	Use 3705092	4-1-53	3801099	Removed	3-1-54	3811166	Use 3811189	3-1-54
3701360	Use 3705093	4-1-53	3801100	Removed	7-1-53	3811167	Use 3811199	3-1-54
3701413	Use 3660474	4-1-53	3801101	Removed	4-1-52	3811168	Use 3811180	3-1-54
3701414	Use 3836023	7-1-53	3801102	Removed	4-1-52	3811169	Use 3811198	3-1-54
3701551	Use 3836048	3-1-54	3801103	Removed	4-1-52	3835156	Removed	7-1-52
3701573	Mix w/838451	4-1-53	3801348	Removed	3-1-54	3835282	Use 3835842	1-1-54
3701581	Use 3705127	10-1-53	3805731	Removed	3-1-54	3835382	Use 3701556	4-1-53
3701597	Use 3705147	10-1-53	3806028	Removed	4-1-53	3835412	Mix w/3835829	6-1-52
3701598	Use 3705148	1-1-54	3806546	Removed	10-1-52	3835419	Use 3835858	7-1-53
3701929	Use 3705261	7-1-53	3806605	Removed	4-1-53	3835502	Use 3835771	1-10-53
3702088	Use 3703243	10-1-53	3806643	Use 3809933	10-1-52	3835513	Use 3701893	7-1-53
3702059	Use 3703242	10-1-53	3806644	Use 3809934	10-1-52	3835545	Use 3835908	7-1-53
3702201	Use 3702219	7-1-53	3806645	Removed	1-10-53	3835608	Use 3835626	4-1-51
3702202	Use 3702220	7-1-53	3806659	Removed	10-1-53	3835610	Use 3701889	7-1-53
3702204	Use 3702222	10-1-53	3806663	Removed	10-1-53	3835633	Use 3702305	10-1-53
3702205	Use 3702227	10-1-53	3806665	Removed	10-1-53	3835662	Use 3835769	6-1-52
3702206	Use 3702228	3-1-54	3806669	Removed	10-1-53	3835769	Mix w/3835884	1-10-53
3702208	Use 3702230	10-1-53	3806674	Removed	1-10-53	3835771	Use 3836023	7-1-53
3702337	Use 3703238	4-1-53	3806820	Removed	7-1-53	3835795	Use 3704771	1-1-54
3702697	Use 3703888	4-1-53	3806821	Removed	4-1-53	3835924	Use 3705385	10-1-53
3702702	Removed	4-1-53	3806822	Removed	4-1-53	3835934	Use 3705387	10-1-53
3702725	Use 3703233	8-1-53	3806852	Use 3810032	1-1-52	3835936	Use 3708436	1-1-54
3702744	Use 3709044	3-1-54	3806857	Use 3810803	4-1-53	3836045	Use 3836386	3-1-54
3702759	Use 3703256	1-1-54	3806927	Mix w/3810807	1-1-54	3836085	Use 3836156	3-1-54
3702808	Use 3705486	4-1-53	3806928	Mix w/3690478	1-1-54	3836127	Use 3836366	3-1-54
3702827	Use 3703248	7-1-53	3806945	Use 3810805	4-1-53	3845022	Use 3845092	3-1-54
3702848	Use 3704335	4-1-53	3806946	Use 3890610	10-1-53	3847145	Use 3699489	4-1-52
3702879	Use 5593037	4-1-53	3807040	Mix w/3699474	1-1-52	3847187	Use {3690189	4-1-52
3702883	Use 3705882	3-1-54	3807251	Removed	1-10-53		{3689176	
3702968	Mix w/4632640	1-1-54	3807492	Removed	10-1-52	3847237	Removed	1-10-53
3703169	Use 3704551	7-1-53	3807831	Use 3808443	1-10-53	3847239	Removed	7-1-53
3703238	Use 3703298	3-1-54	3808003	Use 3809757	4-1-52	3847252	Removed	10-1-52
3703250	Use 3709886	3-1-54	3808004	Use 3809758	1-10-53	3847253	Removed	10-1-52
3703286	Use 3703298	3-1-54	3808027	Mix w/3810751	10-1-52	3847257	Removed	1-10-53
3703406	Use 596217	4-1-53	3808028	Mix w/3810752	10-1-52	3847258	Removed	10-1-53
3703420	Use 3836390	3-1-54	3808029	Mix w/3810753	10-1-52	3847259	Removed	1-10-53
3703425	Use 3699301	3-1-54	3808030	Mix w/3810754	10-1-52	3847260	Removed	10-1-53
3703471	Use 3707005	3-1-54	3808077	Use 3810875	7-1-53	3847261	Removed	1-10-53
3703518	Use 3705604	3-1-54	3808196	Mix w/3810692	10-1-52	3847263	Removed	1-10-53
3703574	Use 3705060	3-1-54	3808198	Mix w/3810704	10-1-52	3847264	Removed	1-10-53
3703607	Use 3705495	4-1-53	3808371	Use 3810372	4-1-53	3847270	Removed	1-10-53
3703675	Use 3709975	3-1-54	3808387	Use 3810690	1-10-53	3847271	Removed	1-10-53
3703679	Use 3709971	3-1-54	3808792	Mix w/3807282	10-1-52	3847276	Removed	1-10-53
3703683	Use 3709969	3-1-54	3809049	Use {3810137	4-1-52	3847277	Removed	1-10-53
3703708	Use 3708819	3-1-54		{3810138		3847278	Removed	1-10-53
3704280	Use 3707140	10-1-53	3809298	Mix/w 3682897	4-1-52	3847279	Removed	1-10-53
3704340	Use 3836084	10-1-53	3809450	Use 3693417	10-1-52	3847290	Removed	1-10-53
3704341	Use 3836083	10-1-53	3809465	Use 3702387	1-10-53	3847291	Removed	1-10-53
3704508	Use 3705063	3-1-54	3809466	Removed	1-10-53	3847334	Use 3698092	7-1-53
3704576	Use 3701900	3-1-54	3809575	Removed	1-10-53	3847336	Use 3691742	1-1-52
3704587	Use 3707799	3-1-54	3809579	Use 3810859	10-1-53	3847337	Use 3691743	3-1-54
3707304	Use 3710402	3-1-54	3809693	Use 3698175	1-1-52	3847338	Removed	10-1-53
3707305	Use 3710403	3-1-54	3809713	Use 3810305	1-10-53	3847351	Use 3809450	4-1-52
3707343	Use 3710838	3-1-54	3809714	Use 3810306	4-1-52			



3847398	Removed	4-1-53	4059983	Removed	10-1-52	4074151	Removed	4-1-53
3847399	Removed	4-1-53	4060748	Removed	4-1-53	4074956	Removed	6-1-52
3847400	Removed	4-1-53	4060809	Removed	10-1-53	4075301	Removed	7-1-53
3847401	Removed	4-1-53	4060856	Removed	6-1-52	4075302	Removed	7-1-53
3847441	Use 2232841	10-1-52	4061445	Removed	6-1-52	4075707	Removed	10-1-52
3847512	Removed	10-1-53	4062046	Removed	6-1-52	4075708	Removed	10-1-52
3847513	Removed	10-1-53	4062452	Removed	4-1-53	4076787	Removed	6-1-52
3847514	Removed	4-1-53	4063384	Use 455448	1-1-54	4076809	Removed	6-1-52
3847569	Removed	1-1-54	4063636	Removed	10-1-52	4076810	Removed	6-1-52
3847634	Use 929450	10-1-52	4064333	Removed	4-1-53	4076850	Removed	4-1-53
3847666	Removed	4-1-52	4064393	Removed	6-1-52	4076892	Removed	4-1-53
3847677	Removed	10-1-52	4064398	Removed	10-1-53	4076982	Removed	4-1-53
3847687	Use 3703650	10-1-53	4064461	Removed	7-1-53	4078180	Removed	6-1-52
4003016	Removed	10-1-53	4064462	Removed	7-1-53	4078193	Removed	6-1-52
4004396	Removed	10-1-52	4064706	Removed	7-1-53	4078441	Removed	4-1-53
4023060	Removed	10-1-52	4064826	Removed	10-1-52	4078442	Removed	4-1-53
4024061	Removed	10-1-52	4064935	Removed	10-1-52	4078828	Removed	7-1-53
4024062	Removed	10-1-52	4065090	Removed	10-1-53	4079263	Removed	10-1-53
4024070	Removed	10-1-52	4065462	Removed	10-1-52	4079557	Removed	6-1-52
4027452	Removed	3-1-54	4065469	Removed	4-1-53	4079559	Removed	6-1-52
4028390	Mix w/4605220	7-1-53	4065471	Removed	4-1-53	4079560	Removed	6-1-52
4031476	Use 4561686	4-1-52	4065476	Removed	4-1-53	4079561	Removed	6-1-52
4033289	Removed	1-1-54	4065477	Removed	4-1-53	4079562	Removed	6-1-52
4034226	Removed	6-1-52	4065534	Removed	10-1-52	4079621	Removed	1-10-53
4034247	Removed	10-1-52	4065557	Removed	6-1-52	4079622	Removed	6-1-52
4034248	Removed	10-1-52	4065569	Removed	10-1-52	4081513	Removed	7-1-53
4034584	Removed	10-1-52	4065610	Removed	3-1-54	4081765	Mix w/4078173	7-1-53
4035370	Removed	10-1-52	4065612	Removed	3-1-54	4081805	Removed	10-1-53
4035371	Removed	10-1-52	4065613	Removed	4-1-53	4081934	Removed	4-1-53
4038473	Use 4099974	6-1-52	4065614	Removed	4-1-53	4082012	Removed	6-1-52
4041212	Removed	4-1-53	4065615	Removed	4-1-53	4082016	Removed	6-1-52
4041213	Removed	4-1-53	4065616	Removed	4-1-53	4082017	Removed	6-1-52
4044718	Removed	10-1-52	4065621	Use 4073892	10-1-52	4082021	Removed	6-1-52
4044745	Removed	10-1-52	4065625	Removed	4-1-53	4082030	Removed	6-1-52
4044755	Removed	10-1-52	4065639	Use 4076982	4-1-52	4082046	Removed	10-1-52
4044758	Use 4099974	10-1-52	4065962	Removed	6-1-52	4082047	Removed	7-1-53
4044827	Removed	10-1-52	4066152	Removed	6-1-52	4082048	Removed	4-1-53
4044828	Removed	10-1-52	4066914	Removed	10-1-52	4082050	Use 4065621	1-1-52
4044938	Removed	6-1-52	4070784	Removed	4-1-53	4082074	Removed	6-1-52
4044946	Removed	6-1-52	4070785	Removed	7-1-53	4082091	Removed	10-1-53
4045123	Removed	6-1-52	4070794	Use 4063503	6-1-52	4082092	Removed	4-1-53
4046344	Removed	10-1-52	4070815	Removed	4-1-53	4082769	Removed	4-1-53
4047768	Removed	10-1-52	4070816	Removed	7-1-53	4082770	Removed	4-1-53
4056789	Removed	10-1-52	4070817	Removed	6-1-52	4083295	Removed	7-1-53
4056790	Removed	10-1-52	4070818	Removed	6-1-52	4083296	Removed	4-1-53
4058864	Removed	4-1-53	4070895	Removed	4-1-53	4083304	Removed	6-1-52
4058874	Removed	10-1-53	4071075	Removed	10-1-52	4083322	Removed	4-1-53
4058875	Removed	4-1-53	4072196	Removed	10-1-52	4083450	Removed	10-1-53
4058911	Removed	6-1-52	4072767	Removed	10-1-53	4083479	Removed	10-1-52
4058914	Removed	6-1-52	4073060	Use 106665	10-1-52	4083482	Removed	6-1-52
4058965	Removed	10-1-52	4073726	Removed	4-1-52	4083991	Removed	3-1-54
4058966	Removed	10-1-52	4073731	Removed	4-1-53	4084782	Removed	4-1-53
4058971	Removed	7-1-53	4073812	Removed	6-1-52	4087836	Removed	3-1-54
4058972	Removed	7-1-53	4073873	Removed	10-1-52	4089625	Removed	10-1-53
4058973	Removed	10-1-52	4073892	Removed	10-1-52	4089859	Removed	6-1-52
4058974	Removed	10-1-52	4073914	Use 2038264	10-1-52	4089860	Use 4132808	6-1-52
4059012	Removed	6-1-52	4073949	Removed	4-1-53	4089919	Removed	3-1-54
4059528	Removed	10-1-52	4073957	Removed	6-1-52	4089925	Removed	7-1-53
4059739	Removed	10-1-52	4073961	Removed	6-1-52	4089926	Removed	7-1-53
4059757	Removed	6-1-52	4073983	Removed	4-1-53	4089928	Removed	10-1-52
4059817	Removed	10-1-52	4073985	Removed	4-1-53	4089945	Removed	10-1-52
4059866	Removed	10-1-52	4073986	Removed	4-1-53	4089973	Removed	4-1-52
4059867	Removed	10-1-52	4073989	Removed	10-1-52	4089974	Removed	4-1-52
4059868	Removed	10-1-52	4073992	Removed	4-1-53	4089990	Removed	3-1-54
4059869	Removed	10-1-52	4074004	Removed	4-1-53	4089991	Removed	10-1-53
4059870	Removed	10-1-52	4074032	Removed	10-1-52	4089995	Removed	4-1-53
4059871	Removed	10-1-52	4074047	Removed	7-1-53	4090091	Removed	10-1-52
4059873	Removed	10-1-52	4074050	Removed	10-1-52	4090095	Removed	10-1-52
4059953	Removed	10-1-52	4074051	Removed	10-1-52			

4090096	Removed	10-1-52	4101990	Removed	4-1-53	4103165	Removed	6-1-52
4090098	Removed	6-1-52	4101991	Removed	7-1-53	4103169	Removed	3-1-54
4090099	Removed	6-1-52	4101992	Removed	10-1-53	4103171	Removed	7-1-53
4090115	Use 4090117	6-1-52	4101993	Removed	10-1-53	4103177	Removed	10-1-52
4090116	Use 4090118	6-1-52	4101994	Removed	7-1-53	4103180	Removed	6-1-52
4090117	Removed	10-1-52	4102008	Removed	3-1-54	4103224	Removed	1-1-52
4090118	Removed	10-1-52	4102010	Removed	3-1-54	4103227	Removed	4-1-52
4090127	Removed	6-1-52	4102011	Removed	3-1-54	4103228	Removed	4-1-52
4090138	Removed	4-1-53	4102014	Removed	4-1-53	4103229	Removed	4-1-53
4090161	Use 4146869	10-1-52	4102015	Removed	3-1-54	4103239	Use 4599449	10-1-52
4090181	Removed	4-1-53	4102022	Removed	4-1-53	4103269	Use 4103271	4-1-53
4090211	Removed	3-1-54	4102023	Removed	7-1-53	4103284	Removed	7-1-53
4090221	Use 4082846	10-1-53	4102024	Removed	10-1-52	4103353	Removed	10-1-52
4090236	Removed	4-1-53	4102079	Use 4102081	6-1-52	4103358	Removed	6-1-52
4090237	Removed	7-1-53	4102081	Removed	10-1-52	4103359	Removed	6-1-52
4090492	Removed	10-1-52	4102082	Removed	10-1-52	4103364	Removed	6-1-52
4091250	Removed	1-10-53	4102087	Removed	10-1-52	4103653	Removed	6-1-52
4091251	Removed	1-10-53	4102094	Removed	6-1-52	4103654	Removed	6-1-52
4091373	Use 4597185	3-1-54	4102097	Use 4102081	8-1-52	4103711	Removed	6-1-52
4091377	Removed	6-1-52	4102101	Removed	1-1-52	4103712	Removed	4-1-53
4091379	Removed	6-1-52	4102102	Removed	10-1-52	4103727	Removed	4-1-52
4091409	Use 4601476	10-1-53	4102111	Removed	7-1-53	4103728	Removed	4-1-52
4091433	Mix w/4612050	1-1-52	4102112	Removed	4-1-53	4103733	Removed	10-1-52
4091465	Removed	1-10-53	4102113	Removed	4-1-53	4103734	Removed	10-1-52
4091474	Removed	3-1-54	4102114	Removed	7-1-53	4103737	Removed	10-1-52
4091477	Removed	1-10-53	4102121	Removed	10-1-52	4103738	Removed	10-1-52
4091542	Removed	1-10-53	4102122	Removed	10-1-52	4103739	Removed	6-1-52
4091617	Use 4586318	3-1-54	4102124	Use 4102122	6-1-52	4103740	Removed	4-1-53
4091632	Removed	7-1-53	4102129	Removed	6-1-52	4103741	Removed	6-1-52
4091859	Removed	10-1-53	4102130	Removed	6-1-52	4103743	Removed	6-1-52
4091933	Removed	4-1-53	4102135	Removed	10-1-52	4103744	Removed	6-1-52
4091935	Removed	7-1-53	4102136	Removed	10-1-52	4103745	Removed	7-1-53
4091969	Removed	3-1-54	4102141	Removed	6-1-52	4103746	Removed	7-1-53
4091990	Removed	4-1-53	4102142	Removed	6-1-52	4103750	Removed	10-1-52
4091991	Removed	4-1-53	4102144	Removed	6-1-52	4103751	Removed	10-1-52
4091992	Removed	6-1-52	4102158	Removed	6-1-52	4103752	Removed	10-1-52
4092068	Removed	10-1-52	4102159	Removed	6-1-52	4103756	Removed	10-1-52
4092069	Removed	10-1-52	4102170	Removed	3-1-54	4103766	Removed	4-1-53
4092357	Removed	10-1-52	4102179	Use 4102177	6-1-52	4103801	Removed	4-1-53
4092484	Removed	6-1-52	4102180	Use 4102178	6-1-52	4103802	Removed	4-1-53
4092495	Removed	6-1-52	4102182	Use 4102178	6-1-52	4103805	Removed	4-1-53
4092533	Removed	4-1-53	4102215	Use 4114333	4-1-52	4103806	Removed	6-1-52
4092534	Removed	7-1-53	4102218	Use 4114332	4-1-53	4103837	Removed	4-1-53
4092541	Removed	6-1-52	4102246	Removed	10-1-53	4103841	Removed	7-1-53
4092547	Removed	4-1-53	4102247	Removed	3-1-54	4103843	Removed	6-1-52
4092548	Removed	4-1-53	4102331	Removed	3-1-54	4103845	Removed	6-1-52
4092610	Removed	6-1-52	4102335	Removed	7-1-53	4103848	Removed	6-1-52
4092611	Removed	6-1-52	4102338	Removed	1-10-53	4103874	Removed	6-1-52
4092635	Removed	6-1-52	4102765	Removed	6-1-52	4103889	Removed	6-1-52
4092662	Removed	6-1-52	4102767	Removed	6-1-52	4103898	Removed	6-1-52
4093394	Removed	6-1-52	4102819	Removed	7-1-53	4103901	Removed	6-1-52
4096733	Removed	3-1-54	4102820	Removed	10-1-53	4103906	Removed	6-1-52
4098434	Removed	10-1-52	4103067	Removed	7-1-53	4104373	Removed	4-1-53
4098687	Removed	10-1-52	4103068	Removed	6-1-52	4104399	Use 4569471	7-1-53
4098688	Removed	10-1-52	4103082	Removed	6-1-52	4104427	Removed	6-1-52
4098689	Removed	10-1-52	4103097	Removed	6-1-52	4104624	Removed	6-1-52
4098691	Removed	10-1-52	4103116	Removed	3-1-54	4105722	Removed	10-1-53
4098692	Removed	10-1-52	4103122	Removed	3-1-54	4105723	Removed	3-1-54
4098730	Use 4163244	7-1-53	4103124	Removed	3-1-54	4105728	Removed	3-1-54
4099967	Removed	4-1-53	4103126	Removed	3-1-54	4105729	Removed	3-1-54
4099981	Removed	4-1-53	4103144	Removed	6-1-52	4105733	Removed	3-1-54
4099982	Removed	7-1-53	4103145	Removed	6-1-52	4105734	Removed	3-1-54
4101894	Use 3686114	4-1-53	4103152	Removed	6-1-52	4105735	Removed	4-1-53
4101931	Removed	7-1-53	4103153	Removed	6-1-52	4105736	Removed	7-1-53
4101950	Removed	10-1-52	4103154	Removed	6-1-52	4105737	Removed	7-1-53
4101951	Removed	10-1-52	4103155	Removed	6-1-52	4105738	Removed	7-1-53
4101987	Removed	10-1-52	4103158	Removed	6-1-52	4105844	Removed	10-1-52
4101974	Use 4143071	3-1-54	4103159	Removed	6-1-52	4106666	Removed	4-1-53
4101975	Use 4143072	1-10-53	4103164	Removed	6-1-52	4106667	Removed	7-1-53

4106670	Removed	10-1-52	4115422	Removed	4-1-53	4118300	Removed	6-1-52
4106716	Removed	6-1-52	4115423	Removed	10-1-52	4118301	Removed	4-1-53
4106796	Use 4165932	1-10-53	4115530	Removed	7-1-53	4118302	Removed	4-1-53
4107703	Removed	7-1-53	4115580	Removed	7-1-53	4118303	Removed	6-1-52
4108148	Removed	4-1-53	4115581	Removed	7-1-53	4118304	Removed	6-1-52
4108775	Removed	6-1-52	4116048	Removed	10-1-53	4118305	Removed	4-1-53
4109866	Removed	4-1-53	4116097	Removed	7-1-53	4118306	Removed	4-1-53
4110524	Removed	10-1-52	4116112	Use 4146805	4-1-52	4118360	Removed	6-1-52
4110664	Use 4596210	6-1-52	4116136	Removed	3-1-54	4118362	Removed	6-1-52
4110789	Removed	7-1-53	4116137	Removed	4-1-53	4118373	Removed	6-1-52
4111052	Removed	3-1-54	4116175	Removed	10-1-52	4118374	Removed	6-1-52
4111327	Removed	4-1-52	4116176	Removed	10-1-52	4118377	Removed	4-1-53
4111330	Removed	6-1-52	4116177	Removed	10-1-52	4118378	Removed	4-1-53
4111332	Removed	7-1-53	4116178	Removed	10-1-52	4118383	Removed	4-1-53
4111346	Removed	6-1-52	4116179	Removed	10-1-52	4118406	Removed	4-1-53
4111347	Removed	6-1-52	4116180	Removed	10-1-52	4118407	Removed	4-1-53
4111364	Removed	4-1-53	4116182	Use 4146846	4-1-52	4118409	Removed	6-1-52
4111651	Removed	1-10-53	4116184	Removed	10-1-52	4118417	Removed	7-1-53
4111652	Removed	7-1-53	4116185	Removed	10-1-52	4118419	Removed	1-1-54
4111668	Removed	10-1-52	4116221	Removed	10-1-52	4118420	Removed	4-1-53
4111690	Removed	6-1-52	4116222	Removed	10-1-52	4118422	Removed	4-1-53
4112621	Removed	3-1-54	4116224	Removed	7-1-53	4118434	Removed	7-1-53
4112622	Removed	3-1-54	4116225	Removed	10-1-52	4118436	Removed	6-1-52
4112683	Removed	4-1-53	4116226	Removed	10-1-52	4118438	Removed	4-1-53
4112688	Mix w/4613583	1-10-53	4116311	Removed	4-1-52	4118439	Removed	4-1-53
4112689	Removed	10-1-53	4116625	Removed	4-1-52	4118453	Removed	7-1-53
4112690	Removed	10-1-53	4116626	Removed	6-1-52	4118455	Removed	4-1-53
4112691	Removed	4-1-53	4116631	Removed	6-1-52	4118461	Removed	6-1-52
4112714	Mix w/4613582	1-10-53	4116632	Removed	6-1-52	4118463	Removed	1-10-53
4113056	Removed	4-1-52	4116633	Removed	6-1-52	4118469	Removed	6-1-52
4113057	Removed	4-1-52	4116634	Removed	6-1-52	4118471	Removed	7-1-53
4113752	Removed	10-1-53	4116640	Removed	6-1-52	4118483	Removed	4-1-53
4114117	Use 4609684	7-1-52	4116641	Removed	6-1-52	4118484	Removed	7-1-53
4114225	Removed	10-1-52	4116642	Removed	6-1-52	4118490	Removed	4-1-53
4114247	Removed	1-1-52	4116643	Removed	6-1-52	4118526	Removed	6-1-52
4114373	Removed	4-1-52	4116644	Removed	6-1-52	4119294	Removed	10-1-53
4114398	Removed	3-1-54	4116645	Removed	4-1-53	4119295	Removed	10-1-53
4114440	Removed	4-1-53	4116646	Removed	4-1-53	4120834	Removed	10-1-53
4114441	Removed	7-1-53	4116672	Use 4134974	7-1-53	4120856	Removed	6-1-52
4114474	Removed	4-1-53	4116761	Use 4090580	1-1-52	4120857	Removed	6-1-52
4114775	Use 4129678	4-1-52	4116673	Removed	10-1-52	4120864	Removed	4-1-53
4114872	Removed	3-1-54	4116674	Removed	10-1-52	4120866	Removed	4-1-53
4114873	Removed	10-1-53	4116807	Use 4161036	4-1-52	4120902	Removed	3-1-54
4114918	Removed	3-1-54	4117500	Removed	1-1-52	4120903	Removed	7-1-53
4114991	Removed	3-1-54	4117564	Removed	10-1-53	4120904	Removed	7-1-53
4115007	Removed	6-1-52	4118210	Use 609637	10-1-52	4120912	Removed	4-1-53
4115010	Removed	10-1-52	4118212	Use 609526	10-1-52	4120913	Removed	4-1-52
4115018	Removed	10-1-52	4118257	Removed	7-1-53	4120918	Removed	6-1-52
4115016	Removed	10-1-52	4118258	Removed	7-1-53	4120922	Removed	3-1-54
4115143	Removed	1-10-53	4118261	Removed	7-1-53	4121297	Removed	6-1-52
4115153	Removed	6-1-52	4118262	Removed	7-1-53	4121298	Removed	6-1-52
4115154	Removed	6-1-52	4118263	Removed	4-1-53	4121544	Removed	3-1-54
4115155	Removed	6-1-52	4118264	Removed	4-1-53	4121871	Removed	4-1-53
4115156	Removed	6-1-52	4118267	Removed	6-1-52	4121877	Removed	1-10-53
4115207	Removed	1-10-53	4118268	Removed	6-1-52	4121878	Removed	1-10-53
4115238	Removed	4-1-53	4118269	Removed	7-1-53	4121893	Mix w/4184816	6-1-52
4115239	Removed	4-1-53	4118270	Removed	7-1-53	4121894	Mix w/4184817	6-1-52
4115290	Use 4161033	4-1-52	4118273	Removed	4-1-53	4122140	Removed	4-1-53
4115292	Use 4161035	4-1-52	4118274	Removed	7-1-53	4122398	Removed	1-10-53
4115297	Use 4161031	4-1-52	4118275	Removed	6-1-52	4122411	Removed	3-1-54
4115298	Use 4161027	4-1-52	4118282	Use 4118298	7-1-53	4122417	Removed	7-1-53
4115299	Use 4161028	4-1-52	4118285	Removed	7-1-53	4122418	Removed	4-1-53
4115300	Use 4161029	4-1-52	4118286	Removed	7-1-53	4122590	Removed	4-1-53
4115318	Removed	1-10-53	4118287	Removed	4-1-53	4122680	Removed	10-1-52
4115317	Removed	4-1-53	4118288	Removed	4-1-53	4122706	Removed	4-1-53
4115318	Removed	1-10-53	4118291	Removed	7-1-53	4122710	Removed	6-1-52
4115319	Removed	7-1-53	4118292	Removed	4-1-53	4122711	Removed	6-1-52
4115333	Mix w/4612054	1-1-52	4118293	Removed	4-1-53	4123241	Removed	10-1-53
4115399	Removed	6-1-52	4118294	Removed	4-1-53			

4123396	Removed	6-1-52	4131000	Removed	7-1-53	4133256	Removed	4-1-53
4123757	Removed	3-1-54	4131001	Removed	7-1-53	4133272	Removed	4-1-52
4123758	Removed	3-1-54	4131002	Removed	4-1-53	4133278	Removed	4-1-53
4123812	Removed	7-1-53	4131003	Removed	4-1-53	4133299	Removed	4-1-53
4123813	Removed	4-1-53	4131005	Removed	4-1-53	4133300	Removed	10-1-53
4123817	Removed	4-1-53	4131008	Removed	10-1-53	4133303	Removed	6-1-52
4123826	Removed	10-1-53	4131027	Removed	10-1-53	4133304	Removed	6-1-52
4124051	Removed	1-10-53	4131304	Removed	6-1-52	4133307	Removed	3-1-54
4124057	Use 4561136	3-1-54	4131305	Removed	6-1-52	4133308	Removed	3-1-54
4124058	Use 4561137	10-1-53	4131361	Use 4161372	3-1-54	4133311	Removed	1-1-52
4125195	Use 4114344	7-1-53	4131373	Removed	4-1-53	4133313	Removed	10-1-53
4125402	Use 4594201	1-10-53	4131374	Removed	4-1-53	4133314	Removed	10-1-53
4125602	Use 4161311	4-1-52	4131377	Removed	4-1-53	4133315	Removed	4-1-53
4125604	Use 4161313	4-1-52	4131378	Removed	4-1-53	4133316	Removed	4-1-53
4125672	Removed	1-10-53	4131379	Removed	6-1-52	4133319	Removed	4-1-53
4125673	Removed	4-1-53	4131380	Removed	6-1-52	4133320	Removed	4-1-53
4125674	Removed	6-1-52	4131383	Removed	6-1-52	4133328	Removed	1-1-54
4125675	Removed	6-1-52	4131384	Removed	6-1-52	4133329	Removed	10-1-53
4125677	Removed	4-1-53	4131385	Removed	6-1-52	4133330	Removed	10-1-53
4125678	Removed	4-1-53	4131554	Removed	4-1-53	4133334	Removed	4-1-53
4125915	Use 4161343	7-1-53	4131629	Removed	4-1-52	4133344	Removed	10-1-53
4125916	Use 4161344	4-1-52	4131631	Removed	4-1-52	4133351	Use 4148544	6-1-52
4125918	Use 4161377	7-1-53	4131905	Removed	4-1-53	4133354	Removed	3-1-54
4125919	Use 4161378	7-1-53	4131979	Removed	1-10-53	4133357	Removed	4-1-53
4125920	Use 4161379	7-1-53	4131980	Removed	1-10-53	4133362	Removed	10-1-53
4126313	Removed	3-1-54	4132081	Use 4125526	4-1-52	4133363	Removed	10-1-53
4126322	Removed	6-1-52	4132082	Use 4125527	4-1-52	4133385	Use 4133717	6-1-52
4126369	Removed	7-1-53	4132311	Removed	1-10-53	4133467	Mix w/3700184	10-1-52
4126370	Removed	1-10-53	4132357	Removed	3-1-54	4133485	Removed	3-1-54
4126373	Removed	1-10-53	4132385	Removed	1-10-53	4133488	Removed	6-1-52
4126747	Removed	6-1-52	4132416	Removed	1-10-53	4133564	Removed	4-1-53
4126748	Removed	7-1-53	4132417	Removed	10-1-53	4133565	Use 4162590	4-1-52
4126749	Removed	4-1-53	4132418	Removed	6-1-52	4133593	Use 4613557	4-1-53
4128751	Removed	4-1-53	4132558	Mix w/4184825	1-10-53	4133598	Removed	10-1-53
4128761	Use 4161573	4-1-52	4132781	Use 4161331	10-1-52	4133602	Removed	7-1-53
4128774	Removed	3-1-54	4132805	Removed	10-1-53	4133604	Removed	10-1-53
4128775	Removed	3-1-54	4132806	Removed	10-1-53	4133606	Removed	3-1-54
4128776	Removed	1-10-53	4132808	Removed	10-1-53	4133629	Removed	4-1-53
4128777	Removed	1-10-53	4132811	Removed	4-1-53	4133630	Use 4163574	4-1-53
4128778	Removed	1-10-53	4132814	Removed	7-1-53	4133641	Use 4818849	3-1-54
4128783	Removed	6-1-52	4132834	Removed	1-10-53	4133649	Use 4574151	4-1-52
4129412	Use 4612387	10-1-53	4132837	Removed	3-1-54	4133713	Removed	1-10-53
4129413	Use 4612388	10-1-53	4132853	Use 4132856	1-10-53	4133768	Removed	4-1-53
4129422	Use 3709703	3-1-54	4132854	Use 4168415	4-1-52	4133769	Removed	6-1-52
4129490	Removed	6-1-52	4132877	Mix w/4163167	6-1-52	4133770	Removed	4-1-53
4129496	Removed	10-1-53	4132882	Use 4569344	3-1-54	4133837	Removed	4-1-53
4129497	Removed	10-1-53	4132901	Removed	7-1-53	4133846	Removed	10-1-53
4129501	Removed	6-1-52	4133076	Removed	4-1-53	4133883	Removed	7-1-53
4129641	Removed	10-1-52	4133112	Removed	7-1-53	4133894	Removed	4-1-53
4129642	Removed	10-1-52	4133113	Removed	4-1-53	4133895	Removed	7-1-53
4129672	Removed	10-1-52	4133123	Removed	7-1-53	4133928	Removed	4-1-53
4129673	Removed	10-1-52	4133125	Removed	4-1-53	4134023	Removed	10-1-53
4129675	Removed	10-1-52	4133147	Use 4133485	1-10-53	4134035	Removed	4-1-53
4129676	Removed	10-1-52	4133206	Removed	3-1-54	4134068	Removed	4-1-53
4129678	Removed	4-1-53	4133209	Removed	3-1-54	4134073	Removed	1-1-54
4129679	Removed	4-1-53	4133211	Removed	6-1-52	4134086	Removed	10-1-53
4129680	Removed	4-1-53	4133214	Removed	4-1-53	4134087	Removed	7-1-53
4129681	Removed	1-10-53	4133215	Removed	4-1-53	4134256	Removed	4-1-53
4129682	Removed	6-1-52	4133218	Removed	4-1-53	4134270	Removed	6-1-52
4129683	Removed	6-1-52	4133219	Removed	4-1-53	4134287	Removed	4-1-53
4130956	Removed	6-1-52	4133222	Removed	6-1-52	4134300	Removed	4-1-53
4130957	Removed	7-1-53	4133223	Removed	6-1-52	4134301	Removed	4-1-53
4130992	Removed	7-1-53	4133224	Removed	10-1-53	4134302	Removed	3-1-54
4130993	Removed	4-1-53	4133225	Removed	10-1-53	4134306	Removed	10-1-53
4130994	Removed	4-1-53	4133233	Removed	4-1-53	4134307	Removed	10-1-53
4130986	Removed	4-1-53	4133234	Removed	4-1-53	4134341	Use 4163557	1-10-53
4130997	Removed	4-1-53	4133243	Removed	10-1-53	4134385	Removed	10-1-53
4130998	Removed	4-1-53	4133246	Use 4160283	6-1-52	4134394	Removed	10-1-53
4130999	Removed	4-1-53	4133249	Use 4160284	6-1-52			



4134406	Removed	6-1-52	4160285	Removed	4-1-53	4163267	Removed	1-1-54
4134965	Removed	1-10-53	4160286	Removed	10-1-53	4163269	Removed	3-1-54
4134986	Removed	3-1-54	4160694	Removed	4-1-53	4163273	Removed	10-1-53
4134989	Removed	7-1-53	4160704	Removed	4-1-53	4163275	Removed	4-1-53
4135356	Removed	10-1-53	4160716	Removed	4-1-53	4163277	Removed	1-10-53
4136137	Removed	4-1-53	4160737	Removed	7-1-53	4163279	Removed	4-1-53
4136138	Removed	4-1-53	4160748	Removed	4-1-53	4163288	Removed	1-10-53
4136944	Removed	7-1-53	4160760	Removed	4-1-52	4163293	Removed	1-10-53
4136950	Removed	10-1-53	4160761	Removed	6-1-52	4163294	Removed	1-10-53
4136952	Removed	4-1-53	4160801	Removed	10-1-53	4163296	Removed	3-1-54
4137848	Removed	10-1-53	4161028	Removed	10-1-53	4163297	Removed	1-10-53
4137849	Removed	10-1-53	4161029	Removed	10-1-53	4163298	Removed	1-10-53
4137863	Removed	4-1-53	4161056	Removed	6-1-52	4163300	Removed	3-1-54
4139342	Use 4614039	1-10-53	4161122	Use 4125220	4-1-52	4163303	Removed	1-10-53
4139787	Removed	10-1-53	4161330	Removed	10-1-53	4163304	Removed	1-10-53
4139809	Removed	7-1-53	4161331	Removed	1-1-54	4163308	Removed	3-1-54
4139828	Removed	4-1-53	4161572	Removed	10-1-53	4163309	Removed	1-10-53
4139832	Removed	1-10-53	4161596	Use 4161649	1-1-54	4163310	Removed	3-1-54
4140898	Removed	6-1-52	4161601	Removed	3-1-54	4163311	Use 4164772	7-1-53
4141467	Removed	1-1-54	4161603	Removed	10-1-53	4163321	Use 4163964	4-1-52
4141468	Removed	3-1-54	4161604	Removed	10-1-53	4163328	Removed	3-1-54
4141610	Removed	10-1-53	4161644	Use 4162084	3-1-54	4163329	Removed	3-1-54
4142096	Removed	10-1-52	4161648	Use 4162085	10-1-52	4163330	Use 4153334	10-1-52
4142097	Removed	10-1-52	4161759	Removed	4-1-53	4163331	Use 4163334	10-1-52
4143200	Removed	4-1-53	4161762	Removed	4-1-53	4163332	Removed	1-10-53
4143201	Removed	4-1-53	4161766	Removed	4-1-53	4163334	Removed	1-10-53
4146762	Use 609528	3-1-54	4161805	Removed	1-10-53	4163335	Removed	10-1-53
4146837	Removed	10-1-53	4161806	Removed	1-10-53	4163337	Removed	1-10-53
4146838	Use 4161342	10-1-53	4161808	Removed	1-10-53	4163340	Removed	4-1-53
4146841	Removed	3-1-54	4161819	Removed	10-1-52	4163348	Removed	3-1-54
4146845	Removed	10-1-53	4161862	Removed	1-10-53	4163350	Removed	10-1-53
4146846	Removed	10-1-53	4161901	Removed	1-1-54	4163366	Removed	10-1-53
4147004	Removed	7-1-53	4161933	Removed	7-1-53	4163374	Removed	1-10-53
4147005	Removed	4-1-53	4161934	Removed	7-1-53	4163375	Removed	10-1-53
4147067	Removed	10-1-53	4161942	Use 4135358	4-1-52	4163376	Removed	10-1-53
4147146	Removed	7-1-53	4162079	Removed	1-10-53	4163377	Removed	1-10-53
4147165	Removed	6-1-52	4162082	Removed	10-1-52	4163378	Removed	1-10-53
4147166	Removed	10-1-52	4162318	Removed	10-1-53	4163379	Removed	1-1-54
4147168	Removed	4-1-53	4162325	Removed	1-10-53	4163383	Removed	10-1-53
4147169	Removed	4-1-53	4162327	Removed	4-1-53	4163384	Removed	3-1-54
4147171	Removed	10-1-53	4162328	Removed	1-10-53	4163385	Use 4163543	4-1-52
4147172	Removed	10-1-53	4163156	Removed	1-10-53	4163486	Removed	1-10-53
4147174	Removed	10-1-53	4163157	Removed	1-10-53	4163487	Removed	1-10-53
4147675	Removed	10-1-53	4163158	Removed	3-1-54	4163488	Removed	1-10-53
4147676	Removed	10-1-53	4163159	Removed	1-10-53	4163489	Removed	1-10-53
4147720	Use 4161370	10-1-53	4163194	Removed	1-10-53	4163490	Removed	1-10-53
4147790	Removed	4-1-53	4163195	Removed	1-10-53	4163491	Removed	10-1-53
4147803	Removed	10-1-53	4163196	Use 4164736	10-1-52	4163492	Removed	10-1-53
4147804	Removed	10-1-53	4163197	Use 4164736	10-1-52	4163493	Removed	1-10-53
4147807	Removed	4-1-53	4163200	Removed	1-10-53	4163494	Removed	10-1-53
4147808	Removed	3-1-54	4163201	Removed	1-10-53	4163495	Removed	3-1-54
4148023	Removed	3-1-54	4163204	Removed	10-1-53	4163496	Removed	3-1-54
4148124	Removed	1-10-53	4163205	Removed	4-1-53	4163497	Removed	4-1-53
4148127	Removed	1-10-53	4163207	Removed	1-10-53	4163498	Removed	4-1-53
4148173	Use 4161412	4-1-53	4163209	Removed	4-1-53	4163500	Removed	1-10-53
4148386	Removed	6-1-52	4163211	Removed	1-10-53	4163502	Removed	4-1-53
4148483	Removed	4-1-53	4163213	Removed	10-1-53	4163503	Removed	10-1-53
4148523	Removed	1-1-54	4163217	Removed	1-10-53	4163504	Removed	1-10-53
4148695	Removed	10-1-53	4163219	Removed	4-1-53	4163506	Removed	4-1-53
4149727	Removed	10-1-53	4163232	Removed	1-10-53	4163514	Removed	1-10-53
4149733	Removed	1-10-53	4163233	Removed	1-10-53	4163517	Removed	3-1-54
4149758	Use 4582147	3-1-54	4163236	Removed	1-10-53	4163518	Removed	1-10-53
4150120	Mix w/4150404	4-1-53	4163237	Removed	1-10-53	4163521	Removed	1-10-53
4150788	Use 4151736	10-1-52	4163240	Removed	3-1-54	4163522	Removed	1-10-53
4150789	Use 4151737	7-1-53	4163241	Removed	1-10-53	4163528	Removed	1-10-53
4150791	Use 4151739	4-1-53	4163245	Use 4163244	1-1-54	4163529	Removed	1-10-53
4160188	Removed	4-1-52	4163260	Removed	1-10-53	4163530	Removed	1-10-53
4160283	Removed	4-1-53	4163261	Removed	1-10-53	4163537	Use 4163251	7-1-53
4160284	Removed	4-1-53	4163265	Removed	7-1-53	4163538	Removed	1-10-53

4163539	Removed	3-1-54	4165858	Removed	10-1-52	4171002	Removed	1-10-53
4163541	Use 4163166	4-1-52	4165859	Removed	4-1-52	4171004	Removed	1-10-53
4163548	Removed	6-1-52	4165860	Removed	10-1-52	4171005	Removed	3-1-54
4163549	Removed	1-10-53	4165895	Removed	1-10-53	4171006	Removed	3-1-54
4163550	Removed	1-10-53	4165896	Removed	1-10-53	4171007	Removed	1-10-53
4163551	Removed	1-10-53	4165897	Removed	7-1-53	4171010	Use 4174928	4-1-52
4163552	Removed	1-10-53	4165898	Removed	1-10-53	4171011	Use 4174929	4-1-52
4163553	Removed	1-10-53	4165899	Removed	7-1-53	4171012	Use 4174930	4-1-52
4163554	Removed	1-10-53	4165900	Removed	1-10-53	4171013	Use 4174931	1-10-53
4163555	Removed	1-10-53	4165909	Removed	10-1-53	4171014	Use 4174932	7-1-53
4163556	Removed	4-1-53	4165910	Removed	10-1-53	4171015	Use 4174933	4-1-52
4163557	Removed	4-1-53	4165925	Removed	7-1-53	4171032	Removed	3-1-54
4163559	Removed	1-1-54	4165927	Removed	7-1-53	4171033	Removed	3-1-54
4163570	Removed	1-10-53	4165928	Removed	7-1-53	4171034	Removed	3-1-54
4163571	Removed	1-10-53	4165934	Removed	10-1-53	4171035	Removed	3-1-54
4163573	Removed	1-10-53	4165935	Removed	3-1-54	4171037	Removed	1-1-54
4163855	Removed	1-10-53	4165936	Removed	7-1-53	4171038	Removed	4-1-53
4163856	Removed	1-10-53	4167392	Removed	3-1-54	4171039	Removed	1-1-54
4163858	Use 4132882	4-1-52	4167641	Removed	1-10-53	4171044	Removed	3-1-54
4163871	Removed	3-1-54	4168354	Use 4173130	10-1-53	4171045	Removed	1-10-53
4163872	Removed	3-1-54	4168357	Use 4180962	1-1-52	4171046	Removed	1-10-53
4163898	Use 4183244	1-1-52	4168388	Use 4133771	1-1-52	4171047	Removed	1-1-54
4164735	Removed	10-1-53	4168389	Removed	1-10-53	4171056	Use { 4178153	4-1-52
4164736	Removed	1-10-53	4168390	Removed	1-10-53		4178154	
4164737	Removed	1-10-53	4168414	Use 4183467	10-1-53	4171058	Use { 4178155	4-1-52
4164738	Removed	10-1-53	4168418	Removed	3-1-54		4178156	
4164759	Removed	1-10-53	4168806	Use 4197570	1-1-54	4171060	Use { 4178157	4-1-52
4164760	Removed	1-10-53	4169183	Use 4180806	6-1-52		4178158	
4164761	Removed	1-10-53	4170493	Removed	3-1-54	4171071	Removed	10-1-52
4164762	Removed	10-1-53	4170511	Removed	3-1-54	4171072	Removed	10-1-52
4164763	Removed	10-1-53	4170515	Use 4170586	3-1-54	4171075	Removed	10-1-52
4164767	Removed	3-1-54	4170516	Use 4170587	10-1-53	4171080	Removed	1-10-53
4165440	Use 4133771	7-1-53	4170517	Removed	4-1-53	4171081	Removed	1-10-53
4165444	Removed	10-1-53	4170528	Use 4170648	10-1-53	4171082	Removed	1-10-53
4165451	Use 4133494	1-1-52	4170529	Use 4170649	7-1-53	4171083	Removed	1-10-53
4165785	Use 4170976	1-10-53	4170540	Use 4170655	3-1-54	4171084	Removed	1-10-53
4165798	Removed	4-1-53	4170541	Use 4170656	7-1-53	4171085	Removed	7-1-53
4165799	Removed	1-10-53	4170547	Use 4170546	6-1-52	4171086	Removed	1-10-53
4165800	Removed	1-10-53	4170556	Use 4170618	6-1-52	4171087	Removed	1-10-53
4165801	Removed	1-10-53	4170557	Use 4170619	1-1-52	4171088	Removed	1-10-53
4165802	Removed	1-10-53	4170558	Use 4170666	1-10-53	4171099	Removed	1-10-53
4165803	Removed	1-10-53	4170559	Use 4170667	1-10-53	4171100	Removed	1-10-53
4165804	Removed	1-10-53	4170562	Use 4170668	1-10-53	4171101	Removed	1-10-53
4165813	Removed	1-10-53	4170563	Use 4170669	1-10-53	4171102	Removed	1-10-53
4165814	Removed	1-10-53	4170571	Removed	7-1-53	4171103	Removed	1-10-53
4165815	Removed	1-10-53	4170603	Use 4170692	7-1-53	4171160	Use 4174861	10-1-52
4165816	Removed	4-1-52	4170604	Use 4170693	7-1-53	4171443	Removed	1-10-53
4165817	Removed	1-10-53	4170607	Use 4170696	7-1-53	4171444	Use 4174006	7-1-53
4165818	Removed	1-10-53	4170608	Use 4170697	7-1-53	4171631	Removed	1-10-53
4165831	Removed	1-10-53	4170609	Use 4170698	7-1-53	4171632	Removed	1-10-53
4165832	Removed	1-10-53	4170610	Use 4170699	10-1-53	4171634	Removed	1-10-53
4165833	Removed	1-10-53	4170631	Removed	3-1-54	4171635	Removed	1-10-53
4165834	Removed	1-10-53	4170647	Use 4170646	7-1-53	4171854	Use 4174720	4-1-52
4165835	Removed	1-10-53	4170674	Removed	3-1-54	4171855	Use 4174721	4-1-52
4165836	Removed	1-10-53	4170884	Use 4170683	7-1-53	4171856	Use 4174722	4-1-52
4165837	Removed	3-1-54	4170889	Use 4170932	3-1-54	4171857	Use 4174723	4-1-52
4165838	Removed	10-1-53	4170891	Use 4173334	1-10-53	4171858	Use 4174724	4-1-52
4165839	Removed	3-1-54	4170892	Use 4173338	1-10-53	4171945	Use { 4580139	10-1-52
4165841	Removed	1-1-54	4170893	Removed	1-10-53		4580140	
4165842	Removed	4-1-53	4170894	Removed	1-10-53	4172062	Use 4174855	1-10-53
4165843	Removed	10-1-53	4170905	Removed	1-10-53	4172063	Use 4174857	7-1-53
4165844	Removed	10-1-53	4170984	Removed	1-10-53	4172405	Mix w/4150669	1-1-54
4165845	Removed	3-1-54	4170985	Use 4173312	1-10-53	4172950	Removed	1-10-53
4165846	Removed	3-1-54	4170986	Removed	1-10-53	4172951	Removed	1-10-53
4165847	Removed	3-1-54	4170988	Removed	3-1-54	4173105	Use 4176124	4-1-52
4165852	Removed	10-1-53	4170989	Use 4173355	1-10-53	4173106	Use 4176125	6-1-52
4165853	Removed	7-1-53	4170990	Use 4173350	1-10-53	4173129	Use 4180962	6-1-52
4165854	Removed	1-10-53	4171000	Removed	3-1-54	4173312	Removed	3-1-54
4165857	Removed	10-1-52	4171001	Removed	3-1-54			

4173313	Removed	3-1-54	4174912	Removed	4-1-53	4183194	Use 4180722	4-1-52
4173334	Removed	3-1-54	4174913	Removed	4-1-53	4183195	Use 4180723	4-1-52
4173338	Removed	4-1-53	4174914	Removed	4-1-53	4183330	Removed	3-1-54
4173350	Removed	4-1-53	4174915	Removed	4-1-53	4183467	Use 3709708	3-1-54
4173355	Removed	1-1-54	4174916	Removed	4-1-53	4185366	Removed	3-1-54
4173939	Use 4186298	1-1-54	4174917	Removed	4-1-53	4185367	Removed	1-10-53
4173940	Use 4186299	1-1-54	4174948	Removed	1-10-53	4186185	Use 3709705	3-1-54
4174005	Removed	3-1-54	4174949	Removed	3-1-54	4189230	Use 4189099	4-1-53
4174022	Use 4186290	10-1-53	4174950	Removed	3-1-54	4189231	Use 4189100	4-1-53
4174184	Use 4174224	3-1-54	4174951	Removed	3-1-54	4189277	Use 4189153	7-1-53
4174185	Use 4174225	7-1-53	4174956	Removed	4-1-53	4189278	Use 4189154	4-1-53
4174190	Use 4178896	10-1-53	4174957	Removed	4-1-53	4189329	Mix w/4191217	7-1-52
4174191	Use 4178897	10-1-53	4174958	Removed	4-1-53	4189363	Mix w/4191219	7-1-52
4174236	Removed	3-1-54	4174989	Removed	4-1-53	4189397	Mix w/4191218	7-1-52
4174247	Removed	3-1-54	4174972	Removed	4-1-53	4189430	Mix w/4191220	7-1-52
4174251	Use 4180782	7-1-53	4174973	Removed	4-1-53	4189463	Mix w/4191216	7-1-52
4174296	Removed	1-10-53	4174974	Removed	4-1-53	4189500	Mix w/4191268	7-1-52
4174298	Removed	7-1-53	4174975	Removed	4-1-53	4189536	Mix w/4191269	7-1-52
4174299	Removed	1-10-53	4174976	Removed	3-1-54	4189553	Mix w/4191270	7-1-52
4174305	Removed	3-1-54	4174977	Removed	3-1-54	4189608	Mix w/4191271	7-1-52
4174527	Use 4184848	4-1-52	4175253	Use 4180673	1-1-52	4189644	Mix w/4191272	7-1-52
4174528	Use 4184849	4-1-52	4175301	Removed	3-1-54	4189669	Use 4189667	7-1-53
4174720	Use 4189805	3-1-54	4175302	Removed	3-1-54	4189739	Use 3709703	3-1-54
4174721	Use 4189806	3-1-54	4175303	Removed	3-1-54	4189762	Use 4191903	3-1-54
4174722	Use 4185891	3-1-54	4175702	Use 4151480	4-1-53	4189763	Use 4189761	4-1-53
4174723	Use 4185892	3-1-54	4175703	Use 4151481	7-1-53	4189764	Use 4189762	4-1-53
4174724	Use 4185961	3-1-54	4175698	Mix w/4176710	6-1-52	4189825	Use 4191207	1-1-54
4174725	Use 4185962	3-1-54	4177751	Use 4183956	10-1-53	4190339	Mix w/4191221	7-1-52
4174726	Use 4186309	3-1-54	4177803	Removed	1-10-53	4191655	Use 3709707	3-1-54
4174727	Use 4186310	3-1-54	4177884	Removed	1-10-53	4191656	Use 4199165	10-1-53
4174730	Use { 4178155	4-1-52	4177885	Removed	1-10-53	4191709	Mix w/4155732	1-1-54
	{ 4178156		4177887	Removed	1-10-53	4191709	Mix w/4155733	1-1-54
4174732	Use { 4178157	4-1-52	4177888	Removed	1-10-53	4191726	Mix w/4155730	1-1-54
	{ 4178158		4177928	Use 4183794	4-1-52	4191727	Mix w/4155731	1-1-54
4174734	Use { 4178159	1-1-52	4178153	Removed	1-10-53	4191817	Use 4197080	7-1-53
	{ 4178160		4178154	Removed	1-10-53	4191831	Removed	7-1-53
4174804	Removed	1-10-53	4178155	Use 4185893	3-1-54	4191892	Mix w/4196468	10-1-53
4174805	Removed	1-10-53	4178156	Use 4185894	3-1-54	4191893	Use 4191854	10-1-53
4174806	Removed	1-10-53	4178157	Use 4185963	3-1-54	4191894	Use 4191855	10-1-53
4174807	Removed	1-10-53	4178158	Use 4185964	10-1-53	4192048	Use 4197251	1-1-54
4174808	Removed	1-10-53	4178159	Use 4186311	3-1-54	4192049	Use 4197252	10-1-53
4174809	Removed	1-10-53	4178160	Use 4186312	3-1-54	4192050	Use 4197253	10-1-53
4174810	Removed	1-10-53	4178173	Removed	1-10-53	4192051	Use 4197254	10-1-53
4174811	Removed	1-10-53	4178174	Removed	1-10-53	4192052	Use 4197255	10-1-53
4174820	Removed	7-1-53	4178504	Use 4192016	3-1-54	4192053	Use 4197256	7-1-53
4174821	Removed	7-1-53	4178652	Removed	1-10-53	4192054	Use 4197257	10-1-53
4174822	Removed	1-10-53	4178653	Removed	1-10-53	4192055	Use 4197258	10-1-53
4174823	Removed	1-10-53	4178660	Removed	1-10-53	4192262	Use 4191902	10-1-53
4174824	Removed	1-10-53	4178661	Removed	1-10-53	4192263	Use 4192355	10-1-53
4174825	Removed	1-10-53	4178662	Removed	1-10-53	4192264	Use 4192356	3-1-54
4174826	Removed	1-10-53	4179904	Removed	3-1-54	4192265	Use 4192357	3-1-54
4174827	Removed	1-10-53	4179905	Removed	1-10-53	4192266	Use 4192358	1-1-54
4174828	Removed	1-10-53	4179922	Removed	1-10-53	4192267	Use 4192359	3-1-54
4174829	Removed	1-10-53	4179926	Removed	3-1-54	4192352	Use 4191900	3-1-54
4174830	Removed	1-10-53	4179934	Removed	1-10-53	4192355	Use 4191903	3-1-54
4174831	Removed	7-1-53	4179948	Removed	1-10-53	4192492	Use 4191900	3-1-54
4174834	Removed	3-1-54	4179949	Removed	1-10-53	4193316	Use 4197571	1-1-54
4174835	Removed	1-10-53	4179956	Removed	1-10-53	4193317	Use 4197572	3-1-54
4174859	Use 4186273	7-1-53	4179960	Removed	3-1-54	4193394	Use 4193207	10-1-53
4174874	Removed	1-10-53	4179966	Removed	1-10-53	4193395	Use 4193208	1-1-54
4174875	Removed	3-1-54	4179970	Removed	3-1-54	4195207	Use 4191944	7-1-53
4174876	Removed	1-10-53	4179999	Removed	1-10-53	4195208	Use 4191945	7-1-53
4174877	Removed	1-10-53	4180516	Removed	10-1-52	4197167	Use 4198525	4-1-53
4174886	Removed	3-1-54	4180867	Mix w/4150753	1-1-52	4197172	Use 4199918	10-1-53
4174887	Removed	4-1-53	4180877	Use 4150390	1-1-52	4197174	Use 4199919	10-1-53
4174888	Removed	4-1-53	4180879	Use 4150389	1-1-52	4197271	Use 4199920	10-1-53
4174889	Removed	4-1-53	4180962	Use 4151760	10-1-53	4198526	Use 4199921	7-1-53
4174910	Removed	3-1-54	4180998	Use 4180720	4-1-52	4199201	Use 4199914	10-1-53
4174911	Removed	3-1-54	4180999	Use 4180721	4-1-52			

4199202	Use 4199915	1-1-54	4562950	Removed	1-10-53	4566089	Removed	3-1-54
4199203	Use 4199916	1-1-54	4562951	Removed	1-10-53	4566099	Removed	1-10-53
4199204	Use 4199917	1-1-54	4562961	Use 4621528	10-1-53	4566100	Removed	1-10-53
4208885	Use 3710688	3-1-54	4563068	Use 4577610	1-10-53	4566101	Removed	1-10-53
4202170	Use 4193312	3-1-54	4563069	Use 4577611	3-1-54	4566110	Removed	1-10-53
4202171	Use 4193313	3-1-54	4563173	Mix w/4565415	6-1-52	4566260	Removed	1-10-53
4202215	Use 4200842	3-1-54	4563222	Removed	1-10-53	4566261	Removed	1-10-53
4202216	Use 4200843	3-1-54	4563223	Removed	1-10-53	4566270	Use 4610315	3-1-54
4202229	Use 4193312	3-1-54	4563274	Use 4581561	10-1-52	4566300	Removed	1-10-53
4202230	Use 4193313	3-1-54	4563275	Use 4581562	10-1-52	4566335	Use 4577820	1-10-53
4202259	Use 4197278	3-1-54	4563379	Use 4508276	10-1-52	4566340	Use 4577821	4-1-52
4208886	Use 3710689	3-1-54	4563380	Use 4608277	7-1-52	4566494	Removed	1-10-53
4208926	Use 3710690	3-1-54	4563642	Removed	7-1-53	4566505	Use 4618147	10-1-53
4208927	Use 3710691	3-1-54	4563750	Use 4586947	3-1-54	4566591	Removed	1-10-53
4208978	Use 3710692	3-1-54	4563751	Use 4591686	10-1-53	4566592	Removed	1-10-53
4208991	Use 3710693	3-1-54	4563761	Use 4576231	6-1-52	4566667	Use 4604076	6-1-52
4208992	Use 3710694	3-1-54	4563887	Removed	10-1-52	4566668	Use 4604077	1-1-52
4209001	Use 3710695	3-1-54	4563888	Removed	10-1-52	4566692	Removed	1-10-53
4209002	Use 3710696	3-1-54	4564060	Use 4579017	10-1-52	4566693	Removed	1-10-53
4209003	Use 3710697	3-1-54	4564064	Mix w/4605784	1-1-52	4566825	Mix w/4613550	1-10-53
4209021	Use 3710698	3-1-54	4564065	Use 4582147	7-1-53	4566832	Removed	1-10-53
4209057	Use 3710699	3-1-54	4564077	Use 4587341	1-10-53	4567010	Removed	1-10-53
4230034	Removed	10-1-52	4564229	Use 4579821	4-1-52	4567016	Removed	3-1-54
4240323	Mix w/4150660	1-1-52	4564254	Use 3703632	10-1-53	4567020	Mix w/4613551	1-10-53
4250027	Use 4091054	10-1-52	4564255	Use 3703831	7-1-53	4567092	Use 4577435	4-1-53
4250048	Use 4023559	10-1-52	4564274	Use 4581374	4-1-52	4567226	Removed	1-10-53
4270448	Removed	10-1-52	4564275	Use 4581375	4-1-52	4567227	Removed	1-10-53
4400325	Removed	10-1-52	4564394	Mix w/4604229	1-1-52	4567290	Removed	3-1-54
4550697	Use 4550681	1-10-53	4564395	Mix w/4604230	1-1-52	4567291	Removed	3-1-54
4559425	Use 4189825	4-1-52	4564423	Use 4610675	10-1-52	4567646	Use 4607910	10-1-52
4559426	Use 4585715	1-1-52	4564424	Use 4572268	1-1-52	4567650	Use 4607911	1-1-54
4559427	Use 4585716	1-1-52	4564479	Mix w/4572295	7-1-53	4567733	Removed	1-10-53
4559576	Use 4611127	1-10-53	4564663	Use 4583687	4-1-52	4567861	Use 4584428	10-1-52
4559577	Use 4611128	1-10-53	4564664	Use 4583688	6-1-52	4567960	Use 4590756	10-1-53
4559578	Use 4611157	7-1-53	4564665	Use 4579366	6-1-52	4587961	Use 4590757	10-1-53
4559579	Use 4611158	4-1-53	4564666	Use 4579367	1-10-53	4567967	Use 4604339	4-1-52
4559584	Use 4184850	1-10-53	4564739	Use 4583692	6-1-52	4567968	Use 4604340	6-1-52
4559851	Use 4601363	10-1-53	4564811	Removed	1-10-53	4567985	Use 4595000	1-1-52
4560580	Use 4579845	4-1-52	4564814	Use 4583685	4-1-52	4568214	Use 4583095	4-1-53
4560952	Mix w/4586339	1-1-52	4564860	Use 4585754	1-10-53	4568228	Use 4633370	3-1-54
4560953	Mix w/4586340	1-1-52	4564861	Use 4585755	1-10-53	4568231	Use 4568395	1-1-54
4561144	Use 4582118	6-1-52	4564862	Use 4591844	10-1-52	4568476	Use 4583096	10-1-52
4561145	Use 4582119	7-1-53	4564863	Use 4591845	10-1-52	4568477	Use 4583097	10-1-52
4561202	Use 4577749	6-1-52	4564996	Mix w/4605814	1-1-52	4568611	Use 4582201	3-1-54
4561203	Use 4577747	10-1-52	4564997	Mix w/4605815	1-1-52	4568612	Use 4595680	3-1-54
4561204	Use 4577748	10-1-52	4565051	Use 4584569	1-1-54	4568731	Use { 4576427 4576429	4-1-52
4561293	Use 4612779	7-1-53	4565067	Use 4564255	4-1-53			
4561294	Use 4612780	7-1-53	4565105	Use 4590736	1-1-54	4568732	Removed	10-1-52
4561307	Use { 4185373 4585293	4-1-52	4565111	Use 4613847	7-1-53	4568829	Use 4582300	10-1-52
			4565112	Use 4613848	1-10-53	4568830	Use 4582297	4-1-52
4561308	Removed	1-1-52	4565173	Use 4597589	1-1-54	4568836	Use 4582286	4-1-52
4561309	Use 4582136	1-1-51	4565266	Removed	10-1-52	4568838	Use 4582282	4-1-52
4561346	Use 4560512	1-10-53	4565334	Use 4616681	3-1-54	4568839	Use 4582282	4-1-52
4561347	Use 4560513	1-10-53	4565476	Use 4594999	6-1-52	4568841	Use 4582811	4-1-52
4561836	Removed	3-1-54	4565554	Use 4601337	4-1-53	4568842	Use 4582812	4-1-52
4561932	Use 4614275	4-1-53	4565646	Use 4594374	1-10-53	4568843	Use 4582891	4-1-52
4561933	Use 4614276	10-1-53	4565671	Mix w/4563029	7-1-53	4568844	Use 4582815	4-1-52
4562114	Use 4575821	1-10-53	4565796	Removed	1-10-53	4568845	Use 4582816	4-1-52
4562157	Use 4570976	1-1-52	4565797	Removed	7-1-53	4568848	Use 4593151	4-1-52
4562195	Use 4589464	1-1-52	4565822	Removed	10-1-52	4568877	Use 4582857	4-1-52
4562338	Use 4614715	1-10-53	4565824	Removed	10-1-52	4568879	Use 4582881	4-1-52
4562346	Use 4587856	1-1-52	4565825	Removed	10-1-52	4568880	Use 4582882	4-1-52
4562360	Use 4613791	7-1-52	4565916	Use 4593110	1-10-53	4568881	Use 4582883	4-1-52
4562361	Use 4613792	10-1-52	4565920	Use 4565924	3-1-54	4568882	Use 4582884	4-1-52
4562514	Use 4618641	7-1-53	4565922	Use 4565920	7-1-53	4568883	Use 4582875	4-1-52
4562598	Use 4593903	1-1-54	4565961	Removed	7-1-53	4568884	Use 4582876	4-1-52
4562630	Use 4190439	10-1-52	4566040	Removed	1-10-53	4568885	Use 4582869	4-1-52
4562805	Use 4581687	10-1-52	4566041	Removed	1-10-53	4568886	Use 4582870	4-1-52
4562806	Use 4581688	10-1-52	4566088	Removed	3-1-54			



4568887	Use 4582871	4-1-52	4572268	Use 4610273	10-1-53	4579323	Mix w/4611078	1-1-52
4568888	Use 4582872	4-1-52	4572278	Use 4587503	4-1-52	4579435	Use 4584348	1-1-52
4568889	Use 4582889	4-1-52		4587558		4579436	Use 4584349	1-1-52
4568890	Use 4593162	4-1-52	4572373	Removed	1-10-53	4579467	Use 4580972	6-1-52
4568891	Use 4586776	6-1-52	4572790	Use 4593481	1-1-52	4579857	Use 4615582	4-1-53
4568926	Use 4593126	10-1-52	4572822	Use 4590474	1-1-52	4580022	Use 4600746	1-1-52
4568927	Use 4593127	10-1-52	4573116	Removed	10-1-53	4580023	Use 4600747	1-1-52
4568934	Use 4608487	3-1-54	4573804	Use 4605082	10-1-53	4580639	Use 4608487	1-1-54
4568935	Use 4577621	1-1-52	4573805	Use 4605095	1-10-53	4580640	Use 4608488	1-1-54
4569005	Use 4582288	4-1-52	4573810	Use 4590474	4-1-52	4580688	Use 4587379	10-1-53
4569006	Use 4582288	4-1-52	4573837	Use 4582293	10-1-52	4580889	Use 4591684	7-1-53
4569009	Use 4604831	7-1-53	4573841	Use 4582295	1-1-52	4580890	Use 4580971	10-1-53
4569013	Use 4585948	7-1-53	4573854	Use 4587340	1-10-53	4580891	Use 4591678	10-1-53
4569014	Use 4585948	10-1-52	4573855	Use 4587341	6-1-52	4580969	Use 4587379	6-1-52
4569204	Use 4621668	7-1-53	4573856	Use 4585280	4-1-52	4580970	Use 4591684	4-1-53
4569229	Use 4613565	1-10-53	4574196	Removed	1-10-53	4581177	Use 4577681	6-1-52
4569230	Use 4613566	1-10-53	4574197	Removed	1-10-53	4581178	Use 4577682	1-10-53
4569258	Use 4606739	4-1-52	4574316	Removed	1-10-53	4581179	Use 4579018	6-1-52
4569260	Use 4611279	4-1-53	4574317	Removed	1-10-53	4581232	Mix w/4606460	1-1-52
4569361	Removed	1-10-53	4574323	Use 4593126	10-1-52	4581233	Mix w/4606461	1-1-52
4569366	Use 4624841	10-1-53	4574324	Use 4593127	10-1-52	4581280	Use 4590765	6-1-52
4569368	Removed	4-1-52	4574327	Use 4593126	7-1-53	4581540	Use 4585703	1-1-52
4569880	Use 4582546	4-1-52	4574328	Use 4593127	10-1-52	4581541	Use 4585704	1-1-52
4569882	Use 4582552	4-1-52	4574333	Use 4593123	4-1-53	4581584	Use 4588847	4-1-52
4569930	Use 4571171	6-1-52	4574334	Mix w/4604076	1-1-52	4581843	Use 4585728	1-1-52
4569953	Use 4583927	4-1-52	4574335	Mix w/4604077	1-1-52	4581844	Use 4585729	1-1-52
4569954	Use 4570180	4-1-52	4575002	Use 4582258	1-1-52	4581977	Use 515871	6-1-52
4569956	Use 4583928	3-1-54	4575003	Use 4582259	1-1-52	4582011	Mix w/4605102	10-1-51
4569957	Use 4570177	4-1-52	4575050	Use 4577432	4-1-53	4582117	Removed	7-1-53
4569963	Use 4600931	1-10-53	4575611	Use 4586460	10-1-52	4582145	Use 4582146	1-10-53
4570182	Use 4583930	1-1-52	4575612	Use 4586461	4-1-52	4582148	Use 4594201	4-1-53
4570272	Use 4593139	3-1-54	4575615	Use 4586454	4-1-52	4582151	Use 3703832	7-1-53
4570275	Use 4593134	3-1-54	4575616	Use 4611888	1-1-54	4582152	Use 3703833	7-1-53
4570276	Use 4593135	3-1-54	4575781	Use 4584716	1-1-52	4582182	Use 4151738	3-1-54
4570640	Use 4582859	4-1-52	4575798	Use 4582083	1-1-52	4582183	Use 4151739	1-1-54
4570841	Use 4582860	4-1-52	4576002	Use 4614026	10-1-53	4582184	Use 4151736	3-1-54
4570767	Use 4577624	10-1-52	4576143	Use 4605081	10-1-53	4582185	Use 4593127	6-1-52
4570768	Use 4577625	4-1-52	4576427	Use 4608022	1-1-54	4582202	Use 4595680	1-10-53
4570882	Use 4577614	7-1-53	4576428	Use 4608023	1-1-54	4582210	Use 4593134	3-1-54
4570883	Use 4577615	7-1-53	4576429	Use 4608024	1-1-54	4582211	Use 4593135	3-1-54
4570915	Use 4574338	6-1-52	4576430	Use 4608025	10-1-53	4582264	Mix/w 4611080	4-1-52
4570919	Use 4582812	4-1-52	4577620	Use 4608487	10-1-53	4582286	Use 4593048	3-1-54
4570921	Use 4582891	4-1-52	4577624	Use 4580637	7-1-53	4582288	Use 4610035	7-1-53
4570932	Use 4582877	4-1-52	4577625	Use 4580638	7-1-53	4582293	Use 4610012	1-10-53
4570933	Use 4582878	4-1-52	4577647	Use 4184851	10-1-52	4582295	Use 4593095	4-1-53
4570934	Use 4582889	4-1-52	4578022	Use 4582824	1-1-52	4582781	Use 4591811	7-1-52
4571047	Removed	1-10-53	4578027	Use 4582825	4-1-52	4582782	Use 4607908	1-1-54
4571186	Use 4582790	4-1-52	4578028	Use 4582826	4-1-52	4582783	Removed	1-10-53
4571187	Use 4618166	1-10-53	4578035	Use 4582827	4-1-52	4582784	Use 4605219	6-1-52
4571190	Use 4574327	10-1-52	4578036	Use 4582828	1-1-52	4582785	Use 4593405	1-1-54
4571194	Use 4582815	4-1-52	4578045	Use 4582833	4-1-52	4582790	Use 4611035	6-1-52
4571257	Removed	3-1-54	4578046	Use 4582834	4-1-52	4582811	Use 4610008	1-10-53
4571258	Removed	3-1-54	4578051	Use 4582835	4-1-52	4582812	Use 4610009	1-10-53
4571416	Use 4611899	6-1-52	4578052	Use 4582836	4-1-52	4582815	Use 4593153	1-10-53
4571417	Use 4611900	6-1-52	4578059	Use 4582845	4-1-52	4582816	Use 4593154	10-1-52
4571488	Use 4607858	10-1-53	4578060	Use 4582846	4-1-52	4582819	Use 4593151	4-1-52
4571489	Use 4605204	7-1-52	4578071	Use 4582851	4-1-52	4582820	Use 4593152	4-1-52
4571490	Use 4605204	1-1-52	4578077	Use 4582853	4-1-52	4582823	Use 4593212	10-1-52
4571491	Use 4605204	4-1-52	4578085	Use 4582847	1-1-52	4582824	Use 4593213	4-1-53
4571493	Use 4582729	1-10-53	4578086	Use 4582848	4-1-52	4582827	Use 4593218	10-1-53
4571496	Use 4582732	6-1-52	4578089	Use 4582863	1-1-52	4582828	Use 4593219	4-1-53
4571497	Removed	1-10-53	4578090	Use 4582864	4-1-52	4582851	Use 4610064	1-10-53
4571498	Removed	1-10-53	4578095	Use 4582865	4-1-52	4582852	Use 4593239	10-1-52
4571499	Removed	1-10-53	4578096	Use 4582866	4-1-52	4582853	Use 4608473	1-1-54
4571508	Use 4583929	6-1-52	4578468	Use 4606455	7-1-52	4582854	Use 4593241	1-10-53
4571510	Use 4582554	4-1-52	4578469	Use 4606456	10-1-52	4582859	Use 4593249	7-1-53
4571511	Use 4582555	4-1-52	4578702	Use 4592690	10-1-52	4582860	Use 4593250	7-1-53
4571903	Use 4604030	1-1-52	4579230	Use 4584568	1-1-54	4582863	Use 4610084	1-10-53
4571904	Use 4604031	1-1-52	4579322	Mix w/4611077	1-1-52			

4582864	Use 4610085	4-1-53	4588009	Use 4614711	10-1-52	4593097	Use 4610022	7-1-53
4582866	Use 4608466	10-1-52	4588010	Use 4614712	1-10-53	4593098	Use 4610012	1-1-54
4582876	Use 4593282	7-1-53	4588077	Mix/w 4611678	4-1-52	4593104	Use 4610035	1-10-53
4582878	Use 4593284	10-1-53	4588078	Mix/w 4611679	4-1-52	4593122	Use 4151738	4-1-53
4582887	Use 4593162	1-1-52	4588096	Mix/w 4611493	4-1-52	4593123	Use 4151739	4-1-53
4582889	Use 4593164	4-1-53	4588097	Mix/w 4611494	4-1-52	4593126	Use 4151736	10-1-53
4582903	Use 4594374	1-10-53	4588162	Mix/w 4611930	4-1-52	4593127	Use 4151737	1-1-54
4583065	Use 4591845	10-1-52	4588163	Mix/w 4611931	4-1-52	4593130	Use 4580637	3-1-54
4583649	Use 4568846	4-1-53	4588193	Mix/w 4611932	4-1-52	4593131	Use 4580638	3-1-54
4583690	Use 4568847	4-1-53	4588194	Mix/w 4611933	4-1-52	4593132	Use 4608487	7-1-52
4583661	Use 4593108	3-1-54	4588446	Mix/w 4613724	4-1-52	4593133	Use 4608488	10-1-52
4584292	Use 4600928	1-1-52	4588447	Mix w/4613731	6-1-52	4593138	Use 4610207	3-1-54
4584426	Mix w/4577427	1-1-52	4588448	Mix w/4614014	6-1-52	4593151	Use 4610201	7-1-53
4584566	Use 4597588	6-1-52	4588449	Mix w/4614019	6-1-52	4593152	Use 4610202	7-1-53
4584567	Use 4597589	6-1-52	4588450	Mix/w 4613729	4-1-52	4593153	Use 4609996	4-1-53
4585387	Use 4589964	4-1-53	4588451	Mix/w 4613737	4-1-52	4593154	Use 4609997	4-1-53
4585388	Use 4589965	7-1-53	4589223	Use 4612435	1-10-53	4593157	Use 4610008	10-1-52
4585413	Use 4588168	1-1-52	4589224	Use 4609936	10-1-52	4593158	Use 4610009	1-10-53
4585414	Use 4588169	1-1-52	4589225	Use 4609937	1-10-53	4593162	Use 4610114	10-1-52
4585433	Use 4588102	1-1-52	4589227	Use 4612433	6-1-52	4593164	Use 4609822	7-1-53
4585434	Use 4588103	1-1-52	4589228	Use 4618385	4-1-53	4593166	Use 4610119	4-1-53
4585443	Use 4593060	1-1-52	4589229	Mix w/4618383	10-1-52	4593212	Use 4610074	4-1-53
4585444	Use 4593061	1-1-52	4589230	Mix w/4618382	10-1-52	4593213	Use 4610075	4-1-53
4585447	Use 4588081	1-1-52	4589897	Use 4600747	1-1-52	4593218	Use 4610050	1-1-54
4585448	Use 4588082	1-1-52	4589929	Mix/w 4613222	4-1-52	4593219	Use 4610051	7-1-53
4585454	Use 4593074	1-1-52	4589933	Mix/w 4613220	4-1-52	4593224	Use 4610040	1-10-53
4585455	Use 4593075	1-1-52	4589935	Mix/w 4613224	4-1-52	4593225	Use 4610041	10-1-52
4585533	Removed	1-10-53	4590472	Use 4590474	1-1-52	4593226	Use 4608467	1-10-53
4585596	Use 4590772	4-1-52	4590473	Use 4590474	1-1-52	4593238	Use 4610064	1-10-53
4585619	Use 4614268	10-1-53	4590690	Mix/w 4613227	4-1-52	4593239	Use 4610065	4-1-53
4585748	Use 4178248	3-1-54	4590711	Mix/w 4613226	4-1-52	4593240	Use 4608473	4-1-53
4585749	Use 4178249	3-1-54	4590735	Use 4604967	10-1-52	4593241	Use 4608474	4-1-53
4585926	Use 4590756	4-1-52	4591047	Use 4610957	10-1-52	4593264	Use 4610084	10-1-52
4585927	Use 4590757	6-1-52	4591048	Use 4610958	7-1-53	4593265	Use 4610085	10-1-52
4586010	Mix w/4612052	1-1-52	4591118	Use 4610955	10-1-52	4593266	Use 4608465	1-10-53
4586018	Mix/w 4611844	4-1-52	4591119	Use 4610956	10-1-52	4593267	Use 4608466	7-1-52
4586019	Mix/w 4611845	4-1-52	4591433	Mix w/4614020	6-1-52	4593270	Use 4610104	10-1-52
4586307	Mix w/4611846	1-1-52	4591435	Mix w/4614022	6-1-52	4593271	Use 4610105	7-1-53
4586319	Mix w/4611835	1-1-52	4591436	Mix w/4614023	6-1-52	4593302	Use 4610244	1-10-53
4586320	Mix w/4611836	1-1-52	4591437	Mix w/4614024	6-1-52	4593402	Use 4607908	10-1-52
4586397	Use 4612056	1-1-54	4591438	Mix w/4614025	6-1-52	4593403	Removed	1-1-52
4586455	Use 4611888	10-1-52	4591444	Mix/w 4613725	4-1-52	4593404	Use 4605219	6-1-52
4586456	Use 4611893	4-1-52	4591445	Mix/w 4613726	4-1-52	4593547	Use 4628339	10-1-53
4586457	Use 4611894	4-1-52	4591446	Mix/w 4613727	4-1-52	4593548	Use 4628340	10-1-53
4586460	Use 4611899	1-1-54	4591447	Mix/w 4613728	4-1-52	4594189	Use 3703834	7-1-53
4586487	Use 4604967	10-1-52	4591448	Mix/w 4613732	4-1-52	4594191	Use 4603742	10-1-53
4586500	Use 4590746	1-10-53	4591449	Mix/w 4613733	4-1-52	4594604	Mix w/4614021	6-1-52
4586504	Use 4590763	10-1-52	4591450	Mix/w 4613734	4-1-52	4594671	Mix w/4594254	7-1-53
4586514	Use 4590755	1-1-52	4591451	Mix/w 4613735	4-1-52	4595476	Mix w/4593901	1-1-52
4586527	Mix w/4612687	6-1-52	4591452	Mix/w 4613736	4-1-52	4595477	Mix w/4593902	1-1-52
4586528	Mix w/4612688	6-1-52	4591453	Mix w/4614015	6-1-52	4595478	Mix w/4593903	1-1-52
4586739	Use 4598549	7-1-52	4591454	Mix w/4614016	6-1-52	4595479	Mix w/4593904	1-1-52
4586740	Use 4598550	6-1-52	4591455	Mix w/4614017	6-1-52	4595528	Mix w/4633889	7-1-53
4586741	Use 4598530	10-1-52	4591456	Mix w/4614018	6-1-52	4595529	Mix w/4633890	7-1-53
4586742	Use 4598531	10-1-52	4591533	Use 4591535	6-1-52	4595672	Removed	4-1-52
4586776	Use 4611682	10-1-52	4591810	Use 4607906	6-1-52	4595678	Use 4602503	1-10-53
4587009	Use 4607722	1-10-53	4591919	Use 4600737	4-1-52	4595922	Use 4600932	10-1-52
4587251	Mix w/4612051	6-1-52	4591920	Use 4600738	1-1-52	4595924	Use 4595932	6-1-52
4587329	Use 4629829	1-1-54	4592598	Use 4611683	10-1-52	4595925	Use 4595933	6-1-52
4587503	Use 4610269	3-1-54	4592731	Use 4626155	10-1-53	4595926	Use 4595934	1-1-52
4587560	Use 4610270	10-1-52	4592732	Use 4626156	10-1-53	4595927	Use 4595935	1-1-52
4587561	Removed	10-1-52	4592901	Use 4610981	1-1-54	4595928	Use 4595936	10-1-52
4587563	Use 4560375	1-1-52	4592967	Mix w/4614026	6-1-52	4595929	Use 4595937	6-1-52
4587791	Removed	1-1-54	4593056	Use 4190946	10-1-52	4595930	Use 4600929	1-1-52
4587792	Removed	1-1-54	4593057	Use 4190947	10-1-52	4595931	Use 4600930	4-1-52
4587999	Use 4611842	7-1-52	4593070	Use 4190948	4-1-52	4596212	Use 4627569	7-1-53
4588000	Use 4611843	10-1-52	4593071	Use 4190949	4-1-52	4596213	Use 4627570	7-1-53
4588007	Use 4614707	4-1-53	4593093	Use 4610012	1-10-53	4596276	Use 4601136	4-1-52
4588008	Use 4614708	1-10-53	4593095	Use 4610017	10-1-53			

4596277	Use 4601137	1-1-52	4603811	Mix w/4628182	4-1-53	4611035	Mix w/4618168	10-1-52
4596662	Mix w/4629827	7-1-53	4603812	Mix w/4628183	4-1-53	4611036	Mix w/4618161	10-1-52
4596772	Mix w/4199094	4-1-53	4603857	Use 4630565	7-1-53	4611037	Mix w/4618167	10-1-52
4596773	Mix w/4199095	4-1-53	4603858	Use 4630565	10-1-53	4611038	Mix w/4618164	10-1-52
4596797	Use 4626469	7-1-53	4604076	Use 4151738	7-1-53	4611039	Mix w/4618168	10-1-52
4597026	Use 4604831	6-1-52	4604077	Use 4151739	4-1-53	4611050	Use 4616479	10-1-52
4597027	Use 4604832	4-1-52	4604080	Use 4151740	10-1-52	4611051	Use 4616480	10-1-52
4597329	Mix w/4603396	1-1-52	4604081	Use 4151741	10-1-53	4611062	Removed	3-1-54
4598363	Mix w/4629755	7-1-53	4604229	Use 4614216	10-1-52	4611511	Use 4604967	1-10-53
4598364	Mix w/4629756	7-1-53	4604230	Use 4614217	10-1-52	4611741	Mix w/4618148	10-1-52
4598530	Use 4627098	7-1-53	4604283	Use 4603306	1-1-54	4611742	Mix w/4618149	10-1-52
4598531	Use 4627099	10-1-53	4604264	Use 4603307	1-1-54	4611846	Use 4627138	1-1-54
4598549	Use 4598530	10-1-52	4604765	Mix w/518506	1-10-53	4612012	Use 4604967	1-10-53
4598580	Use 4598531	1-10-53	4605102	Use 4622992	3-1-54	4612051	Mix w/4627137	10-1-53
4598629	Mix w/4627789	10-1-53	4605103	Use 4622993	3-1-54	4612052	Use 4600824	1-10-53
4598632	Mix w/4627802	10-1-53	4605150	Use 4626532	4-1-53	4612078	Mix w/4626627	10-1-53
4598633	Mix w/4627803	10-1-53	4605151	Use 4626533	4-1-53	4612392	Use 4610980	1-1-54
4598766	Use 4626828	4-1-53	4605159	Use 4626512	7-1-53	4612433	Mix w/4618384	10-1-52
4598805	Mix w/4627563	7-1-53	4605160	Use 4626513	7-1-53	4612434	Mix w/4618385	10-1-52
4598806	Mix w/4627564	7-1-53	4605204	Use 4607858	10-1-52	4612998	Mix w/4618386	10-1-52
4598833	Mix w/4631552	7-1-53	4605219	Use 4607911	7-1-52	4614045	Removed	10-1-53
4598882	Mix w/4637700	1-1-54	4605239	Mix w/4595116	6-1-52	4614216	Use 4617108	4-1-53
4599658	Mix w/4599656	1-1-54	4605515	Use 4630594	3-1-54	4614217	Use 4617109	10-1-53
4599659	Mix w/4599657	1-1-54	4605520	Use 4619019	10-1-53	4615285	Mix w/4624454	7-1-53
4599698	Use 4638105	3-1-54	4606399	Removed	4-1-53	4615475	Removed	7-1-53
4599705	Use 4638109	3-1-54	4606799	Mix w/3698379	7-1-53	4616460	Use 4644379	3-1-54
4599954	Removed	10-1-53	4607910	Use 4607911	10-1-53	4616754	Use 4601265	3-1-54
4600057	Mix w/4632962	10-1-53	4607912	Mix w/4618154	10-1-52	4616799	Removed	3-1-54
4600685	Mix w/4614000	6-1-52	4607913	Mix w/4618153	10-1-52	4616937	Mix w/4638896	1-1-54
4600722	Use 4597442	3-1-54	4608130	Use 4636857	1-1-54	4616938	Mix w/4636897	1-1-54
4600723	Use 4597443	3-1-54	4608131	Use 4636858	1-1-54	4617873	Mix w/4619458	7-1-53
4600724	Mix w/4628578	10-1-53	4608334	Use 4610119	4-1-53	4618034	Mix w/4601056	4-1-53
4600725	Mix w/4628579	10-1-53	4608481	Use 4610008	4-1-53	4618035	Mix w/4601057	4-1-53
4600768	Mix w/4627793	7-1-53	4608482	Use 4610009	4-1-53	4618149	Use 4621277	7-1-53
4600769	Mix w/4627794	7-1-53	4608485	Use 4151738	4-1-53	4618829	Use 4618827	1-1-54
4600881	Mix w/4614001	6-1-52	4608491	Use 4610114	4-1-53	4618897	Mix w/4632200	7-1-53
4601132	Mix w/4614522	6-1-52	4608492	Use 4625082	1-1-54	4618898	Use 4632201	7-1-53
4601133	Mix w/4614523	6-1-52	4608563	Use 4610012	4-1-53	4618899	Mix w/4632202	7-1-53
4601136	Use 4613252	6-1-52	4608564	Use 4610012	4-1-53	4618920	Mix w/4632207	7-1-53
4601137	Use 4613253	6-1-52	4608566	Use 4610025	4-1-53	4619788	Use 4625363	4-1-53
4601168	Use 3703835	10-1-53	4608567	Use 4610030	7-1-53	4619789	Use 4625364	4-1-53
4601562	Mix w/4642320	1-1-54	4608568	Use 4610035	4-1-53	4619790	Use 3708796	1-1-54
4601563	Mix w/4642321	1-1-54	4608983	Use 4550703	7-1-53	4619792	Use 3709796	3-1-54
4601782	Mix w/4627041	7-1-53	4609913	Mix w/4618147	10-1-52	4619793	Use 3709797	3-1-54
4602029	Mix w/4636592	1-1-54	4609942	Mix w/4609942	10-1-52	4619794	Use 3709796	3-1-54
4602030	Mix w/4636593	1-1-54	4610134	Use 4151738	4-1-53	4619795	Use 3709797	3-1-54
4602395	Use 4602592	3-1-54	4610135	Use 4151739	7-1-53	4620568	Use 4632297	10-1-53
4602470	Mix w/4626602	7-1-53	4610218	Use 4610722	10-1-53	4620889	Use 4632298	10-1-53
4602471	Mix w/4626603	7-1-53	4610260	Removed	7-1-53	4620748	Mix w/4632217	7-1-53
4602537	Use 4591925	4-1-53	4610261	Removed	7-1-53	4620749	Mix w/4632218	7-1-53
4603072	Use 4627363	10-1-53	4610264	Use 4614937	6-1-52	4620750	Mix w/4632219	7-1-53
4603073	Use 4627364	10-1-53	4610275	Mix w/4636694	1-1-54	4620751	Mix w/4632220	7-1-53
4603099	Use 4628498	10-1-53	4610276	Mix w/4636695	1-1-54	4620892	Use 4620657	4-1-53
4603239	Removed	4-1-53	4610350	Use 4614707	6-1-52	4620893	Use 4620658	4-1-53
4603294	Use 4632958	10-1-53	4610351	Use 4614708	6-1-52	4620894	Use 4620821	4-1-53
4603295	Use 4632959	10-1-53	4610354	Use 4614711	6-1-52	4620895	Use 4620822	4-1-53
4603396	Use 4610218	1-10-53	4610355	Use 4614712	6-1-52	4620896	Use 4620823	4-1-53
4603457	Use 4633359	1-1-54	4610616	Use 4562227	7-1-53	4620897	Use 4620824	4-1-53
4603458	Use 4633360	1-1-54	4610953	Mix w/4614522	6-1-52	4620898	Use 4620825	4-1-53
4603563	Use 4636882	1-1-54	4610954	Mix w/4614523	6-1-52	4620899	Use 4620826	4-1-53
4603565	Use 4636884	1-1-54	4610967	Mix w/4615503	10-1-52	4621268	Mix w/4632222	7-1-53
4603566	Use 4636859	1-1-54	4610968	Mix w/4615504	10-1-52	4621269	Mix w/4632223	7-1-53
4603567	Use 4636860	1-1-54	4611028	Mix w/4618157	10-1-52	4621735	Mix w/4623134	7-1-53
4603605	Use 4628184	4-1-53	4611029	Mix w/4618159	10-1-52	4621747	Mix w/4623169	7-1-53
4603606	Use 4628185	4-1-53	4611030	Mix w/4618160	10-1-52	4621763	Mix w/4626490	7-1-53
4603728	Mix w/4628186	4-1-53	4611031	Mix w/4618162	10-1-52	4621764	Mix w/4626491	7-1-53
4603729	Mix w/4628187	4-1-53	4611032	Mix w/4618163	10-1-52	4621765	Mix w/4626482	7-1-53
4603807	Mix w/4628188	4-1-53	4611033	Mix w/4618165	10-1-52	4621766	Mix w/4626483	7-1-53
4603808	Mix w/4628189	4-1-53	4611034	Mix w/4618158	10-1-52			



4621774	Use 4610722	4-1-53	5288460	Use 5299919	10-1-53	5931853	Removed	10-1-52
4622079	Use 4630562	3-1-54	5288666	Mix w/ 5288946	4-1-52	5931854	Removed	10-1-52
4623458	Mix w/4632224	7-1-53	5293724	Mix w/5298450	1-10-53	5931919	Removed	10-1-52
4623459	Mix w/4632225	7-1-53	5294264	Mix w/5299867	10-1-53	5931958	Removed	10-1-52
4623460	Mix w/4632226	7-1-53	5296230	Mix w/5299861	10-1-53	5932263	Removed	3-1-54
4623461	Mix w/4632227	7-1-53	5296233	Mix w/5299869	10-1-53	5932710	Removed	4-1-53
4623462	Mix w/4632228	7-1-53	5296936	Mix w/5299874	10-1-53	5933154	Removed	10-1-52
4623463	Mix w/4632229	7-1-53	5298220	Mix w/5299915	10-1-53	5933155	Removed	3-1-54
4624028	Mix w/4619836	10-1-53	5298222	Mix w/5299916	10-1-53	5933243	Removed	10-1-52
4624222	Use 4624218	10-1-53	5299882	Mix w/5299919	10-1-53	5933244	Removed	10-1-52
4624223	Use 4624219	7-1-53	5299915	Use 2960500	1-1-54	5933331	Removed	7-1-53
4625687	Use 4632299	1-1-54	5300188	Removed	3-1-54	5934971	Removed	6-1-52
4625735	Use 4633111	1-1-54	5300189	Removed	3-1-54	5936576	Use 5941285	6-1-52
4625768	Use 4630580	3-1-54	5300905	Removed	6-1-52	5936636	Removed	3-1-54
4625769	Use 4630581	10-1-53	5304209	Mix w/3708378	1-1-54	5936754	Mix w/5941972	10-1-53
4625852	Use 4637788	3-1-54	5304297	Mix w/517098	7-1-53	5936795	Use 5941109	7-1-52
4632319	Removed	3-1-54	5307484	Removed	3-1-54	5936908	Use 5941114	1-10-53
4626303	Mix w/4632212	7-1-53	5307485	Removed	3-1-54	5937362	Use 5936754	4-1-52
4626788	Use 4633831	10-1-53	5328549	Removed	3-1-54	5938025	Use 5941202	6-1-52
4630581	Use 4625769	1-1-54	5328550	Removed	3-1-54	5938377	Use 5941416	10-1-52
4644472	Mix w/5047766	3-1-54	5328559	Removed	3-1-54	5939817	Use 5941493	7-1-52
4644473	Mix w/5047767	3-1-54	5342004	Removed	3-1-54	5939887	Mix w/5943620	6-1-52
4644908	Mix w/5047768	3-1-54	5342005	Removed	3-1-54	5940062	Use 5941091	7-1-52
5047538	Use 5047683	1-1-52	5352526	Use 1084420	1-10-53	5940066	Use 5943455	7-1-52
5047677	Mix w/5047682	1-1-52	5394577	Use 5516239	10-1-53	5941897	Use 5943966	1-1-54
5047682	Mix w/5047708	10-1-53	5394578	Use 5516237	3-1-54	5941972	Mix w/5942312	3-1-54
5047683	Use 5047688	4-1-52	5394583	Use 5394251	1-1-54	5942763	Use 897064	3-1-54
5047688	Mix w/5047709	4-1-53	5394584	Use 5394252	10-1-53	5942950	Use 5944127	7-1-53
5065646	Removed	3-1-54	5394586	Removed	1-10-53	5943289	Mix w/5945188	1-1-54
5230460	Use 5230680	1-10-53	5450180	Removed	6-1-52	5944090	Mix w/5941821	10-1-53
5245820	Removed	1-10-53	5450961	Use 5454488	3-1-54	5944127	Use 5942021	3-1-54
5271094	Removed	10-1-52	5451085	Use 5453730	6-1-52	7001099	Use 7003040	6-1-52
5272247	Removed	10-1-52	5452823	Use 5453828	7-1-53	7001377	Use 7004363	7-1-52
5272251	Removed	10-1-52	5453540	Use 5453599	4-1-53	7001387	Use {7004363	4-1-53
5273676	Removed	6-1-52	5453549	Removed	1-10-53		7001386	
5273680	Removed	6-1-52	5453730	Use 5454320	7-1-53	7001860	Removed	4-1-53
5274443	Removed	10-1-52	5453941	Use 5454317	10-1-53	7002156	Removed	1-10-53
5274547	Removed	4-1-52	5569618	Mix w/5569781	1-10-53	7002358	Use 7002359	7-1-52
5275001	Removed	4-1-53	5572380	Use 5573017	10-1-53	7002377	Use 7001386	4-1-53
5275002	Removed	10-1-52	5591547	Use 5592626	4-1-53	7002378	Use {7004363	3-1-54
5275004	Removed	10-1-52	5591880	Removed	10-1-52		7001388	
5275017	Removed	10-1-52	5662075	Use 5664306	7-1-52	7002379	Use {7004363	4-1-53
5275031	Removed	10-1-52	5662076	Use 5664307	6-1-52		7001386	
5275070	Removed	10-1-53	5662114	Use 5662155	4-1-52	7002540	Use 7004600	4-1-53
5284497	Removed	6-1-52	5662155	Use 5664337	4-1-53	7002799	Use 7001836	10-1-53
5285672	Use 5298107	7-1-53	5662821	Use 5665574	7-1-53	7002821	Use 7002820	1-10-53
5286061	Removed	3-1-54	5662874	Use 270289	10-1-52	7002894	Use 7001386	7-1-52
5286742	Mix w/5299880	10-1-53	5663857	Use 5664762	8-1-53	7003018	Use 7003048	3-1-54
5286924	Use 5298404	7-1-53	5663877	Use 5664762	8-1-53	7003535	Use 7004506	4-1-52
5286928	Mix w/ 5286910	4-1-52	5663959	Removed	10-1-53	7003864	Use 7004476	4-1-52
5286929	Mix w/ 5286911	4-1-52	5664401	Use 262156	10-1-52	7004335	Use 7004595	10-1-53
5286930	Mix w/ 5286912	4-1-52	5665829	Use 5680711	10-1-53	7004039	Use 7004600	4-1-52
5286931	Mix w/ 5286913	4-1-52	5666324	Mix w/5685925	3-1-54	7004040	Use 7002540	6-1-52
5286935	Mix w/ 5286917	4-1-52	5680077	Use 5680078	7-1-53	7004249	Use 7004523	1-1-52
5286943	Mix w/ 5286924	4-1-52	5680088	Use 5680087	4-1-53	7004622	Use 7004512	1-10-53
5286944	Mix w/ 5286925	4-1-52	5930343	Removed	1-10-53	7004670	Mix w/ 7004733	4-1-52
5286945	Mix w/ 5286944	4-1-52	5930360	Removed	10-1-52	7005203	Use 7005422	4-1-53
5287047	Removed	3-1-54	5930366	Removed	10-1-52	7005646	Use 7005644	7-1-53
5287630	Mix w/5299885	10-1-53	5930368	Removed	10-1-52	7450046	Removed	1-10-53
5287821	Removed	4-1-52	5930488	Removed	7-1-53	7450047	Removed	10-1-52
5288326	Removed	1-10-53	5930529	Removed	10-1-52	8610731	Use 8615503	3-1-54
5288327	Removed	1-10-53	5930596	Removed	7-1-53	8610742	Use 8615193	3-1-54
5288328	Removed	3-1-54	5930996	Removed	10-1-53	8611276	Use 3696828	3-1-54
5288330	Removed	1-10-53	5931273	Removed	10-1-53	8613934	Use 8615089	3-1-54
5288377	Removed	1-10-53	5931649	Removed	3-1-54	8615043	Use 8613924	3-1-54
5288378	Removed	1-10-53	5931650	Removed	4-1-52			